

TM-10-1482
Issued
May 1.1942

PARTS LIST
for
HARLEY-DAVIDSON
MOTORCYCLES

SOLO MODEL WLA

BUILT FOR U. S. ARMY

CONTRACT NUMBER
W 398 QM 11782

U.S.A. REGISTRATION NUMBERS
616,923 to 637,285. Incl.

HARLEY-DAVIDSON MOTOR COMPANY
Milwaukee, Wisconsin, U.S.A.

TM-10-1482
Issued
May 1.1942

TM 10 1482

WAR DEPARTMENT
Washington February 20, 1942

TM 10-1482, Parts List, Motorcycle, Solo Harley-Davidson (Solo Model WLA) published by the Harley-Davidson Motor Company is furnished for the information and guidance of all concerned.

(AG 062 11 (4/26/41) PC (C) June 10, 1941)

By order of the Secretary of War :

G.C. MARSHALL
Chief of Staff

Official:
E.S. ADAMS
Major General
The Adjutant General

Issued
Dec. 20.1943

TM-10-1482
Issued
May 1, 1942

**QUICK
REFERENCE
INDEX**

PARTS LIST

for

**HARLEY-DAVIDSON
MOTORCYCLES
SOLO MODEL WLA**

BUILT FOR THE U. S. ARMY

CONTRACT NUMBER
W-398-QM-11782

U. S. A. REGISTRATION NUMBERS
616,923 TO 637,235 INCL.

HARLEY-DAVIDSON MOTOR COMPANY
Milwaukee, Wisconsin, U. S. A.

TM-10-1482
Issued
May 1, 1942

WINDSHIELDS & TOOLS

MOTOR

INLET PIPE & CARBS.

CLUTCH

FUEL SYSTEM

EXHAUST SYSTEM

GENERATOR & PARTS

SWITCHES & WIRING

LIGHTS & PARTS

TRANSMISSION

STARTER PARTS

CHAINS & SPROCKETS

WHEELS & BRAKES

STEERING

FRAME & FITTINGS

FENDERS & FOOTBOARD

STANDS & CHAIN GUARDS

BATTERY & SADDLE

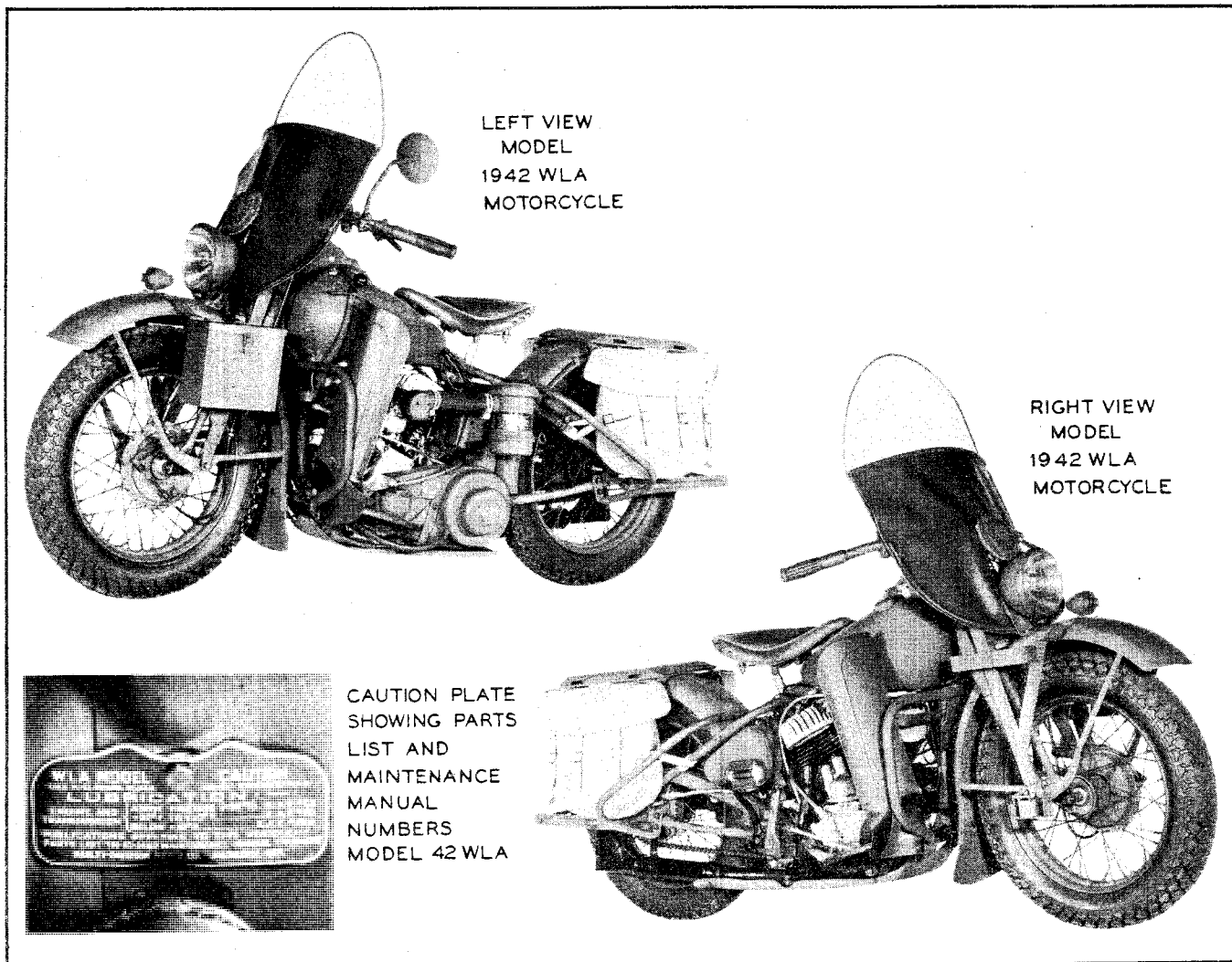
TOOL BOX, SAFETY GUARDS

SPEEDOMETER

SPECIAL TOOLS

LIST OF "O" PARTS

NUMERICAL INDEX



DIRECTIONS FOR USING BOOK

This book consists of a complete list of all service parts for all the WLA Solo Models built expressly for the U. S. Army. It also includes definite stockage recommendations.

An alphabetical list of all parts appears on the pages following.

The main section of this book lists all service parts arranged by Gov't group numbers and is fully illustrated.

Immediately following this main section is a listing of all special tools which are used on these models. This list of tools covers tools used in Field Service and also Base Service.

Following the tool list is a numerical list of "O" parts. These "O" parts are screws, nuts, washers, lock washers, steel balls, cotter pins, rivets and grease fittings that may be used in several assembly groups. Sizes are marked for easy identification.

In the last section of the book, we have listed numerically all part numbers, showing the page number, Gov't group number and also the List price of each part.

A complete bearing chart is shown on the back cover of the book.

Parts stockage recommendations appear after each item in the main section of the book, with the exception of the "O" parts. The recommendations on "O" parts are shown in the numerical list of "O" parts.

The symbol shown before part numbers indicate that these parts are common parts and can be used on regular commercial machines.

GOVERNMENT GROUP INDEX

NAME	GROUP NO.	PAGE	NAME	GROUP NO.	PAGE
Solo Windshield & Parts	2300	14	Starter Crank & Pedal.	4707	45
HB Windshield & Legshields	2300	14	Drive Chains & Repair Links.	{ 4903	46
Tool Kit, Equipment.	2306	16		{ 5706	
Motor, Cylinders-Heads	4100	17	Sprockets.	4903	47
Pistons, Connecting Rods, & Rod Bearings.	{ 4103	17	Rear Wheel Brake Parts	5200	47
	{ 4104		Rear Wheel & Parts	5300	48
Valves, Fittings, Tappets.	4105	19	Rear Axle & Fittings	5300	49
Crankcase Relief Parts, Oil Pump Etc.	{ 4106	19	Rims & Spokes.	5300	49
	{ 4107		Front Wheel & Parts.	5300	49
Inlet Pipe & Carburetor.	{ 4108	21	Front Brake Parts.	5300	49
	{ 4301		Front Brake Control Parts.	5300	50
Flywheels, Shafts.	4109	22	Handlebar & Controls	5404	51
Crankcase, Fittings.	4111	23	Front Forks & Fittings	5406	52
Clutch & Clutch Parts.	4200	24	Frame Head Bearings.	5406	53
Oil Bath Air Cleaners.	4301	27	Steering Damper & Parts.	5406	54
Tank Group	4304	29	Frame & Fittings	5506	54
Oil Pipes & Gas Pipes.	4304	30	Mudguard (Fender) Group.	5701	55
Muffler, Exhaust Pipes	{ 4401	30	Footboard Group.	5705	56
	{ 4402		Rear Stand Group	5705	58
Generator, Frame & Fields.	4600	31	Jiffy Stand & Parts.	5705	58
Circuit Breaker & Wiring	4600	31	Chain Guards	5706	58
Armature Group	4600	33	Batteries, Battery Cases, Relay	5800	59
Brush Plate Group.	4600	33	Seat Post Group.	5804	60
Spark Coil Group	4600	34	Saddle Group	5804	61
Handlebar Switches	4600	34	Buddy Seat Parts	5804	62
Inst. Panel & Switch	4605	34	Tool Box Group	5806	62
Wiring	4606	36	Safety Guards & Fittings	6100	63
Headlight & Tail Lamps Parts	{ 4607	37	Speedometer Parts.	6203	64
	{ 4608		Special Tools.	2306	65
Black-out Lights & Parts	4608	39	Numerical List of Screws,		
Horn Group	4609	40	Bolts, Nuts, Washers, Cotter		
Transmission Parts	4700	41	Pins, Balls, Rivets & Grease		
Starter Parts.	4707	45	Nipples	2304	67

ALPHABETICAL INDEX

NAME	PAGE	GOV. GROUP NO.	NAME	PAGE	GOV. GROUP NO.
Abrasives, set.....	65	2306	Bolt, rear guard support.....	55	5701
Apron, complete.....	14	2300	Bolt, rear mdg. brace.....	54	5506
Arbor, conn rod lapping.....	65	2306	Bolt, rear mdg. brace.....	56	5701
Armature, with winding.....	33	4600	Bolt, rear safety guard.....	64	6100
Axle, front.....	49	5300	Bolt, rear upper.....	28	4301
Axle, rear.....	49	5300	Bolt, rear upper.....	60	5800
Ball, cam plunger.....	42	4700	Bolt, scavenger cover.....	20	4106, 4107
Ball, check valve.....	21	4106, 4107	Bolt, 2nd gear bracket.....	43	4700
Ball, clutch bearing.....	27	4200	Bolt, shifter rod end.....	41	4700
Ball, friction.....	22	4108, 4301	Bolt, spark coil "U".....	34	4600
Ball, gear shifter.....	41	4700	Bolt, spring.....	62	5804
Ball, hub bearing.....	27	4200	Bolt, stand shoulder.....	58	5705
Ball, push rod.....	26	4200	Bolt, tank mounting.....	29	4304
Bar, frame straightening.....	66	2306	Bolt, tripper.....	45	4707
Bar, seat.....	60	5804	Bolt, vent pipe nipple.....	29	4304
Base, gas strainer.....	29	4304	Bowl, assembly.....	22	4108, 4301
Base, panel less speedometer..	34	4605	Bowl, only.....	22	4108, 4301
Base, panel.....	34	4605	Box, battery.....	59	5800
Base, switch.....	36	4605	Box, gear only.....	42	4700
Battery, less box.....	59	5800	Box, tool.....	62	5806
Bearing, and balls, thrust.....	43	4700	Box, sub. mch. gun ammun.....	17	2306
Bearing, armature small.....	33	4600	Brace, front mdg. rear.....	55	5701
Bearing, armature large.....	33	4600	Brace, rear mdg. end.....	55	5701
Bearing, gear side.....	24	4111	Brace, rear mdg. top.....	55	5701
Bearing, left.....	24	4111	Brace, front mdg. front.....	55	5701
Bearing, push rod.....	26	4200	Bracket, aux. spring.....	62	5804
Bearings, set.....	18	4103, 4104	Bracket, black-out mtg.....	38	4607, 4608
Block, front roller.....	46	4903, 5706	Bracket, cable.....	64	6203
Block, lens mounting.....	40	4608	Bracket, carb. control.....	52	5404
Block, light contact.....	34	4600	Bracket, cylinder.....	54	5506
Block, rear roller.....	46	4903, 5706	Bracket, frame head.....	54	5406
Block, roller.....	52	5404	Bracket, front guard-left.....	56	5701
Block, terminal.....	38	4607, 4608	Bracket, front guard-right.....	56	5701
Body, black-out headlight.....	38	4607, 4608	Bracket, hand lever.....	51	5300
Body, carburetor.....	21	4108, 4301	Bracket, headlight.....	38	4607, 4608
Body, control coil oil cup.....	51	5300	Bracket, headlight and horn...	38	4607, 4608
Body, headlight.....	37	4607, 4608	Bracket, horn lower.....	41	4609
Body, oil feed pump.....	20	4106, 4107	Bracket, horn upper.....	41	4609
Body, oil scavenger pump.....	20	4106, 4107	Bracket, inner guard rear.....	58	5706
Bolt, brace bracket.....	55	5701	Bracket, left support.....	54	5506
Bolt, carb. fastening.....	21	4108, 4301	Bracket, leg.....	58	5705
Bolt, clamp.....	54	5506	Bracket, legshield.....	16	2300
Bolt, clamp eye.....	14	2300	Bracket, lower.....	16	2300
Bolt, clip 1-3/8".....	62	5804	Bracket, mirror extension.....	17	2306
Bolt, clip 7/8".....	62	5804	Bracket, outer guard rear.....	58	5706
Bolt, cover clamp.....	59	5800	Bracket, panel switch.....	36	4605
Bolt, crank clamp.....	45	4707	Bracket, rear chain guard.....	59	5706
Bolt, crankcase 2-3/4".....	24	4111	Bracket, rear end brace.....	55	5701
Bolt, cylinder bracket.....	54	5506	Bracket, rear end front.....	30	4401, 4402
Bolt, cyl. head long.....	17	4100	Bracket, rear end front.....	30	4401, 4402
Bolt, cyl. head short.....	17	4100	Bracket, seat bar.....	60	5804
Bolt, footboard hinge.....	57	5705	Bracket, 2nd gear retaining....	43	4700
Bolt, frame clamp.....	28	4301	Bracket, spark cable.....	33	4600
Bolt, front bracket.....	30	4401, 4402	Bracket, stop light.....	40	4608
Bolt, front mdg. head.....	56	5701	Bracket, sub. mch. gun.		
Bolt, front saddle.....	61	5804	carrier.....	17	2306
Bolt, handlebar.....	52	5404	Bracket, switch mounting.....	39	4607, 4608
Bolt, headlight fastening.....	37	4607, 4608	Bracket, timer control.....	33	4600
Bolt, horn mounting.....	40	4609	Bracket, timer control.....	52	5404
Bolt, horn bracket.....	40	4609	Bracket, tool box.....	62	5806
Bolt, inner guard.....	59	5706	Brake, rear.....	47	5200
Bolt, lamp bracket.....	38	4607, 4608	Brush, small.....	34	4600
Bolt, leg.....	58	5705	Brushes, set with springs.....	34	4600
Bolt, motor fastening.....	24	4111	Buffer, tank.....	29	4304
Bolt, mounting cleaner.....	28	4301	Buffers, inner disc.....	27	4200
Bolt, pedal pin.....	46	4707	Bulb, lamp.....	39	4608
			Bulb, panel.....	35	4605

ALPHABETICAL INDEX - CONTINUED

NAME	PAGE	GOV. GROUP NO.	NAME	PAGE	GOV. GROUP NO.
Bulb, pre-focused.....	38	4607, 4608	Clamp, bracket.....	16	2300
Bulb, rear lamp.....	39	4607, 4608	Clamp, carb. control.....	52	5404
Bumper, fender rubber.....	62	5804	Clamp, control coil left.....	52	5404
Bushing, brake shackle.....	50	5300	Clamp, control coil right.....	52	5404
Bushing, clutch gear.....	26	4200	Clamp, control coil.....	51	5300
Bushing, countershaft gear box.....	45	4700	Clamp, exhaust pipe.....	30	4401, 4402
Bushing, countershaft, left....	44	4700	Clamp, for handlebar.....	14	2300
Bushing, gear cover.....	20	4106, 4107	Clamp, frame head.....	37	4606
Bushing, gear shaft.....	20	4106, 4107	Clamp, hand lever bracket.....	51	5300
Bushing, hand lever.....	51	5300	Clamp, handlebar.....	15	2300
Bushing, idling gear.....	20	4106, 4107	Clamp, horn wire.....	37	4606
Bushing, inlet pack.....	21	4108, 4301	Clamp, left front.....	54	5506
Bushing, left brg.....	24	4111	Clamp, plate to frame.....	28	4301
Bushing, leg.....	58	5705	Clamp, rear hanger.....	31	4401, 4402
Bushing, lever bracket.....	25	4200	Clamp, right front.....	54	5506
Bushing, low gear.....	43	4700	Clamp, seat bar.....	62	5804
Bushing, piston pin.....	18	4103, 4104	Clamp, set handlebar.....	15	2300
Bushing, plunger link.....	60	5804	Clamp, skid plate.....	54	5506
Bushing, right roller brg.....	23	4111	Clamp, thumb screw.....	15	2300
Bushing, rocker plate.....	53	5406	Clamp, timer control cyl.....	52	5404
Bushing, seat bar set.....	60	5804	Clamp, timer control frame.....	52	5404
Bushing, seat post.....	60	5804	Clamp, tire pump assem.....	17	2306
Bushing, second gear.....	43	4700	Clamp, hose.....	28	4301
Bushing, shifting fork.....	42	4700	Clamps, set handlebar.....	14	2300
Bushing, side cover.....	50	5300	Cleaner, oil bath air.....	27	4301
Bushing, spring rod.....	53	5406	Clevis, rear brake rod.....	47	5200
Bushing, sprocket cover.....	45	4700	Clip, apron.....	14	2300
Bushing, sprocket cover lower.....	45	4700	Clip, cable.....	64	6203
Bushing, sprocket cover upper.....	45	4700	Clip, control coil.....	51	5300
Bushing, tappet roller.....	19	4105	Clip, fuse holder.....	37	4606
Bushing, terminal screw.....	34	4600	Clip, handlebar.....	51	5300
Bushing, terminal screw.....	40	4609	Clip, heavy aux. spring.....	62	5804
Bushing, timer housing.....	31	4600	Clip, latch spring.....	28	4301
Bushing, throttle shaft.....	21	4108, 4301	Clip, left rear mdg.....	55	5701
Button, horn switch.....	34	4600	Clip, light aux. spring.....	62	5804
Cable, clutch release.....	25	4200	Clip, mudguard brace.....	55	5701
Cable, complete.....	64	6203	Clip, retainer spring.....	38	4607, 4608
Cable, core only.....	64	6203	Clip, tail light.....	37	4606
Cable, rear spark plug.....	36	4606	Clip, window rubber.....	15	2300
Cable, spark plug, front.....	36	4606	Clutch, complete.....	24	4200
Cable, spark plug long.....	33	4600	Clutch, low shifter.....	43	4700
Cable, spark plug short.....	33	4600	Clutch, second and high shift.....	43	4700
Cam, panel switch.....	36	4605	Clutch, starter.....	45	4707
Cam, shifting.....	41	4700	Coil, control.....	51	5300
Cap, B.O. lamp bracket.....	38	4607, 4608	Coil, control and plug.....	52	5404
Cap, bowl.....	22	4108, 4301	Coil, control only.....	52	5404
Cap, clutch thrust.....	27	4200	Coil, regulating field.....	31	4600
Cap, connector plug.....	39	4607, 4608	Coil, section 38-1/4".....	51	5300
Cap, gas strainer.....	30	4304	Coil, section - 10".....	51	5300
Cap, gas tank.....	29	4304	Coil, shunt field.....	31	4600
Cap, oil tank.....	29	4304	Coil, spark cpt.....	34	4600
Cap, upper valve seat.....	30	4304	Collar, guide.....	60	5804
Carburetor, complete.....	21	4108, 4301	Collar, housing.....	64	6203
Carrier, luggage.....	54	5506	Collar, spacing.....	43	4700
Catch, stand.....	58	5705	Collar, spring.....	22	4108, 4301
Center, extra movable.....	65	2306	Collar, spring compress.....	27	4200
Center, stationary.....	65	2306	Collar, valve guide.....	19	4105
Chain, 100 links front.....	46	4903, 5706	Collar, valve spring.....	19	4105
Chain, rear 58-3/4".....	46	4903, 5706	Collars, set thrust.....	23	4109
Clamp, 1-1/4".....	37	4606	Compressor, valve spring.....	65	2306
Clamp, aux. spring.....	62	5804	Condenser.....	33	4600
Clamp, bottom pan.....	28	4301	Conduit, switch panel.....	37	4606
			Cone, front hub.....	49	5300
			Cone, lower.....	53	5406

ALPHABETICAL INDEX - CONTINUED

NAME	PAGE	GOV. GROUP NO.	NAME	PAGE	GOV. GROUP NO.
Cone, upper.....	53	5406	Door, only B.O. lamp.....	38	4607, 4608
Connection, carburetor.....	27	4301	Door, or bezel.....	37	4607, 4608
Connection, carb. control.....	52	5404	Door, service lamp.....	40	4608
Connection, control wire.....	51	5300	Dowel, brake hub.....	47	5200
Contact, roller.....	37	4605	End, clutch lever rod.....	25	4200
Countershaft.....	43	4700	End, control wire.....	52	5404
Cover, air cleaner.....	28	4301	End, control wire.....	51	5300
Cover, battery box.....	59	5800	End, frame.....	31	4600
Cover, brake side.....	49	5300	End, left bearing.....	24	4111
Cover, brake side.....	47	5200	End, lever and strap.....	33	4600
Cover, chain inspection.....	58	5706	End, rear mudguard.....	55	5701
Cover, circuit breaker.....	32	4600	End, rear mudguard rear.....	55	5701
Cover, commutator.....	34	4600	End, rear muffler.....	30	4401, 4402
Cover, cpt.....	17	2306	End, shifter rod.....	41	4700
Cover, foot lever brg.....	25	4200	Extension, inlet pipe.....	21	4108, 4301
Cover, gear.....	19	4106, 4107	Extension, nipple.....	51	5300
Cover, gear box side.....	42	4700	Fasteners, lift-the-dot.....	14	2300
Cover, outer bearing.....	49	5300	Felt, battery terminal.....	60	5800
Cover, inner guard slot.....	58	5706	Ferrule, control coil.....	51	5300
Cover, inner bearing.....	49	5300	Fibre, terminal screw.....	40	4609
Cover, inspection hole.....	42	4700	File, tungsten point.....	65	2306
Cover, instrument panel.....	35	4605	Filter, amber.....	40	4608
Cover, key hole.....	36	4605	Filter, for lens.....	39	4608
Cover, lower valve spring.....	19	4105	Filter, red.....	40	4608
Cover, pedal end.....	46	4707	Finger, release lever.....	26	4200
Cover, pedal pin.....	46	4707	Finger, shifting.....	42	4700
Cover, oil scavenger pump.....	20	4106, 4107	Fittings, oil seal set.....	26	4200
Cover, relay.....	60	5800	Fixture, conn. rod clamp.....	66	2306
Cover, sprocket.....	45	4700	Flange, for spokes right.....	49	5300
Cover, stabilizer.....	50	5300	Flap, front mudguard.....	56	5701
Cover, switch.....	36	4605	Flap, rubber right.....	16	2300
Cover, tool box.....	62	5806	Flap, rubber left.....	16	2300
Cover, upper valve spring.....	19	4105	Float.....	22	4108, 4301
Crank, starter.....	45	4707	Flusher, oil.....	66	2306
Crank, starter cpt.....	45	4707	Flywheel, left.....	22	4109
Crankcase, left.....	23	4111	Flywheel, right.....	23	4109
Crankcase, right.....	23	4111	Flywheels, set.....	22	4109
Crankcase, set.....	23	4111	Footboard, complete.....	56	5705
Cup, head bearing.....	53	5406	Footrest, complete.....	62	5804
Cup, oil.....	28	4301	Fork, gear shifter.....	42	4700
Cup, push rod leather.....	26	4200	Fork, rigid.....	52	5406
Cup, push rod spring.....	26	4200	Fork, shifting 2nd and high....	42	4700
Cutter, valve seat clearance..	65	2306	Fork, shifting low and rev....	42	4700
Cylinder, front.....	17	4100	Fork, spring.....	52	5406
Cylinder, rear.....	17	4100	Forks, complete set.....	52	5406
Damper, steering cpt.....	54	5406	Frame.....	31	4600
Deflector, drive end oil.....	33	4600	Frame.....	54	5506
Device, flywheel truing.....	65	2306	Frame, apron.....	14	2300
Disc, air intake.....	21	4108, 4301	Frame, only.....	14	2300
Disc, bracket friction.....	25	4200	Front, horn.....	40	4609
Disc, clutch friction.....	27	4200	Fuse, 25 ampere.....	37	4606
Disc, clutch releasing.....	27	4200	Gasket, air cleaner.....	28	4301
Disc, friction moulded.....	25	4200	Gasket, bearing housing.....	33	4600
Disc, inner clutch.....	27	4200	Gasket, B.O. door.....	40	4608
Disc, outer drive.....	27	4200	Gasket, bowl lock nut.....	22	4108, 4301
Disc, outer notched.....	27	4200	Gasket, carb. insulating.....	21	4108, 4301
Disc, outer sprung.....	27	4200	Gasket, commutator cover.....	34	4600
Disc, sprocket fibre.....	27	4200	Gasket, cover.....	42	4700
Disc, steel.....	54	5406	Gasket, cylinder base.....	17	4100
Disc, steel center.....	27	4200	Gasket, cylinder head.....	17	4100
Disc, steel friction.....	27	4200	Gasket, drain plug.....	29	4304
Disc, throttle.....	21	4108, 4301	Gasket, for joint.....	28	4301
Door, complete.....	39	4608	Gasket, for socket.....	40	4608
Door, only.....	40	4608	Gasket, gear cover.....	20	4106, 4107
Door, only B.O. lamp.....	40	4608	Gasket, generator.....	31	4600

ALPHABETICAL LIST - CONTINUED

NAME	PAGE	GOV. GROUP NO.	NAME	PAGE	GOV. GROUP NO.
Gasket, inlet pipe.....	21	4108, 4301	Head, front cylinder.....	17	4100
Gasket, inner cover.....	49	5300	Head, rear cylinder.....	17	4100
Gasket, oil cup.....	28	4301	Head, speedometer.....	64	6203
Gasket, oil feed pump.....	19	4106, 4107	Headlight, cpt.....	37	4607, 4608
Gasket, relief pipe.....	19	4106, 4107	Hinge, footboard left.....	57	5705
Gasket, scavenger pump.....	19	4106, 4107	Hinge, footboard right.....	56	5705
Gasket, set motor.....	17	4100	Hinge, pair cpt.....	17	2306
Gasket, side cover.....	42	4700	Hinge, rear mudguard.....	56	5701
Gasket, spark plug.....	17	4100	Holder, contact.....	36	4605
Gasket, stop light paper.....	39	4607, 4608	Holder, cutter.....	65	2306
Gasket, stop light thin.....	39	4607, 4608	Holder, feed pump vane.....	20	4106, 4107
Gasket, tapped guide.....	19	4105	Holder, main brush.....	33	4600
Gasket, timer base.....	31	4600	Holder, third brush.....	33	4600
Gasket, toggle switch.....	38	4607, 4608	Hone, piston pin bushing.....	65	2306
Gasket, valve cover.....	19	4105	Hook, spring yoke.....	62	5804
Gear, shaft drive.....	64	6203	Horn, and brkt. assem.....	40	4609
Gear, brake shell drive.....	64	6203	Horn, assembly.....	40	4609
Gear, breather valve.....	21	4106, 4107	Horn, only.....	40	4609
Gear, cam front exhaust.....	20	4106, 4107	Hose, connecting.....	28	4301
Gear, cam front inlet.....	20	4106, 4107	Housing, drive end brg.....	33	4600
Gear, cam rear exhaust.....	20	4106, 4107	Housing, horn switch.....	34	4600
Gear, cam rear inlet.....	20	4106, 4107	Housing, light switch.....	34	4600
Gear, clutch.....	26	4200	Housing, timer shaft.....	31	4600
Gear, clutch.....	43	4700	Hub, brake shell front.....	49	5300
Gear, countershaft.....	43	4700	Hub, assembly.....	27	4200
Gear, generator drive.....	20	4106, 4107	Hub, complete.....	48	5300
Gear, idling.....	20	4106, 4107	Hydrometer, battery.....	65	2306
Gear, low.....	43	4700	Indicators, extra set.....	65	2306
Gear, pinion.....	20	4106, 4107	Insulation, brush holder.....	33	4600
Gear, scavenger pump.....	21	4106, 4107	Insulation, field coil.....	33	4600
Gear, scavenger pump idle.....	21	4106, 4107	Insulation, horn wire.....	34	4600
Gear, second.....	43	4700	Insulation, light switch.....	34	4600
Gear, shifter.....	41	4700	Insulation, terminal.....	31	4600
Gear, timer drive.....	20	4106, 4107	Insulator, bulb socket.....	35	4605
Gear, timer shaft.....	31	4600	Insulator, center spring.....	35	4605
Generator, complete.....	31	4600	Insulator, socket.....	35	4605
Grease gun, Kleenseal.....	17	2306	Insulator, stud.....	33	4600
Grinder, valve seat.....	65	2306	Insulator, tail lamp.....	40	4608
Grip, rubber.....	52	5404	Insulator, term. screw.....	37	4606
Guage, endplay.....	65	2306	Jaws, set copper.....	65	2306
Guage, thickness.....	65	2306	Jet, fixed No. 4.....	22	4108, 4301
Guard, bearing.....	26	4200	Jet, fixed .052" hole.....	22	4108, 4301
Guard, chain outer.....	58	5706	Jig, rear sprkt. riveting.....	66	2306
Guard, cone bearing.....	53	5406	Key, clutch.....	26	4200
Guard, fork spring.....	14	2300	Key, countershaft sprocket.....	47	4903
Guard, front safety.....	63	6100	Key, crank pin.....	23	4109
Guard, inside.....	58	5706	Key, main shaft.....	42	4700
Guard, inside lower half.....	58	5706	Key, motor sprocket.....	47	4903
Guard, inside upper half.....	58	5706	Key, mounting switch.....	36	4605
Guard, left inner dirt.....	49	5300	Key, oil feed gear.....	21	4106, 4107
Guard, push rod bearing.....	45	4700	Key, sprocket and gear shaft..	23	4109
Guard, rear chain.....	59	5706	Key, timer drive gear.....	20	4106, 4107
Guard, rear safety.....	63	6100	Key, tool box.....	62	5806
Guide, front tappet.....	19	4105	Key, valve collar.....	19	4105
Guide, push rod.....	26	4200	Knob, adj. rod.....	30	4304
Guide, rear tappet.....	19	4105	Knob, panel switch.....	36	4605
Guide, shifter.....	41	4700	Lamp, B.O. and service rear...	39	4608
Guide, valve.....	19	4105	Lamp, B.O. headlight.....	38	4607, 4608
Gun, air oper. grease.....	65	2306	Lamp, B.O. rear.....	39	4608
Hammer, copper.....	65	2306	Lamp, cpt. stop and tail.....	38	4607, 4608
Handle.....	62	5804	Lap, crankcase main brg.....	65	2306
Handle, chain tool.....	16	2306	Latch, cpt.....	17	2306
Handle, straighting bar.....	66	2306	Latch, oil cup.....	28	4301
Handlebar, bare long.....	51	5404	Leg, jiffy stand.....	58	5705
Handlebar, bare short.....	51	5404	Legshield, left.....	16	2300
Handlebar, cpt. long.....	51	5404	Legshield, right.....	16	2300
Handlebar, cpt. short.....	51	5404	Legshields, complete.....	14	2300

ALPHABETICAL INDEX - CONTINUED

NAME	PAGE	GOV. GROUP NO.	NAME	PAGE	GOV. GROUP NO.
Lens.....	39	4608	Nut, bushing.....	42	4700
Lens, headlight.....	37	4607, 4608	Nut, clip bolt wing.....	62	5804
Lens, red.....	38	4607, 4608	Nut, clutch gear.....	26	4200
Lens, stop light.....	40	4608	Nut, clutch spring adj.....	27	4200
Lens, tail light.....	40	4608	Nut, cone clamping.....	54	5406
Lever, air intake.....	21	4108, 4301	Nut, cone lock.....	49	5300
Lever, brake operating.....	47	5200	Nut, conn. clamping.....	51	5300
Lever, brake operating.....	50	5300	Nut, cover wing.....	28	4301
Lever, clutch release.....	25	4200	Nut, crank pin.....	23	4109
Lever, complete hand.....	51	5300	Nut, crankcase stud.....	24	4111
Lever, float.....	22	4108, 4301	Nut, front axle.....	49	5300
Lever, footbrake.....	57	5705	Nut, front rod.....	56	5705
Lever, foot clutch.....	24	4200	Nut, front rod large.....	56	5705
Lever, hand.....	51	5300	Nut, gas pipe.....	29	4304
Lever, light switch.....	34	4600	Nut, handlebar end.....	52	5404
Lever, needle valve.....	22	4108, 4301	Nut, inner disc.....	27	4200
Lever, shifter.....	41	4700	Nut, inlet packing.....	21	4108, 4301
Lever, steering damper.....	54	5406	Nut, main shaft.....	42	4700
Lever, throttle.....	21	4108, 4301	Nut, motor sprocket.....	47	4903
Light, front marker.....	39	4608	Nut, mounting stud.....	45	4700
Link, connecting front.....	46	4903, 5706	Nut, oil mounting stud.....	19	4106, 4107
Link, connecting rear.....	46	4903, 5706	Nut, plunger lock.....	60	5804
Link, double repair front.....	47	4903, 5706	Nut, push rod adj. screw.....	26	4200
Link, double repair rear.....	47	4903, 5706	Nut, rear axle.....	49	5300
Link, plunger.....	60	5804	Nut, rear rod.....	56	5705
Link, rear offset.....	47	4903, 5706	Nut, rear stud spacer.....	53	5406
Lining, set front brake.....	50	5300	Nut, rocker stud large.....	53	5406
Lining, set rear brake.....	47	5200	Nut, rod lock.....	60	5804
Linings, with rivets set.....	27	4200	Nut, seat post rod.....	60	5804
Lock, and keys.....	36	4605	Nut, shield tee.....	15	2300
Lock, cpt. brake rod.....	57	5705	Nut, spark plug terminal.....	17	4100
Lock, inner guard screw.....	58	5706	Nut, spring.....	62	5804
Lock, left brace clip.....	55	5701	Nut, spring adjusting.....	60	5804
Lock, right brace clip.....	55	5701	Nut, spring rod acorn.....	53	5406
Lock, stud nut.....	53	5406	Nut, spring rod bottom end.....	53	5406
Lug, door.....	37	4607, 4608	Nut, spring rod flat.....	53	5406
Louvre, for lens.....	39	4608	Nut, sprocket and gear shaft.....	23	4109
Louvre, plate.....	40	4608	Nut, support bracket.....	54	5506
Mallet, rawhide.....	65	2306	Nut, tappet screw.....	19	4105
Mat, rubber.....	60	5800	Nut, terminal screw.....	60	5800
Micrometer, "0" to "1".....	66	2306	Nut, tripper bolt.....	45	4707
Micrometer, "2" to "3".....	66	2306	Nut, washer packing.....	51	5300
Micrometer, "2" to "8".....	66	2306	Nut, wing battery cover.....	59	5800
Mirror, rear view.....	17	2306	Oil seal, valve guide.....	19	4105
Molding, lower shield.....	14	2300	Outlet, rear muffler.....	30	4401, 4402
Molding, only.....	39	4608	Packing, rubber.....	39	4608
Motor, complete.....	17	4100	Packing, valve cover.....	19	4105
Mudguard, complete front.....	55	5701	Pad, footboard.....	56	5705
Mudguard, complete rear.....	55	5701	Pedal, starter.....	46	4707
Muffler, complete.....	30	4401, 4402	Piece, pole.....	31	4600
Nipple, oil tank vent pipe.....	29	4304	Pilot, oversize guide.....	67	2306
Nipple, front wheel.....	49	5300	Pilot, standard guide.....	67	2306
Nipple, gas pipe.....	29	4304	Pin, brake rod clevis.....	47	5200
Nipple, gas valve.....	30	4304	Pin, clamp bolt.....	59	5800
Nipple, inlet.....	21	4108, 4301	Pin, cover bushing.....	20	4106, 4107
Nipple, oil pressure.....	24	4111	Pin, crank.....	23	4109
Nipple, oil pump pipe.....	29	4304	Pin, float lever.....	22	4108, 4301
Nipple, rear wheel.....	49	5300	Pin, generator gear.....	20	4106, 4107
Nipple, stud grease.....	50	5300	Pin, inner drive hub.....	27	4200
Nozzle, main.....	22	4108, 4301	Pin, light switch.....	34	4600
Nut, adjusting.....	54	5406	Pin, lower connection.....	51	5300
Nut, adjusting sleeve.....	51	5300	Pin, pedal.....	46	4707
Nut, axle sleeve.....	49	5300	Pin, piston.....	18	4103, 4104
Nut, bowl lock.....	22	4108, 4301	Pin, rear mdg. hinge.....	56	5701
Nut, bracket bolt.....	54	5506	Pin, roller.....	52	5404
Nut, brush holder screw.....	34	4600	Pin, seal ring retaining.....	19	4106, 4107

ALPHABETICAL INDEX - CONTINUED

NAME	PAGE	GOV. GROUP NO.	NAME	PAGE	GOV. GROUP NO.
Pin, seat bar clevis.....	60	5804	Plunger, assembly.....	60	5804
Pin, shifter rod clevis.....	41	4700	Plunger, oil cup.....	51	5300
Pin, sprocket cover.....	45	4700	Plunger, seat.....	60	5804
Pin, strainer retainer.....	23	4111	Points, set breaker.....	33	4600
Pin, strap.....	33	4600	Pommel.....	61	5804
Pin, tappet roller.....	19	4105	Puller, clutch disc.....	65	2306
Pin, timer shaft.....	32	4600	Puller, cpt., clutch gear seal	67	2306
Pipe, chain oiler.....	19	4106, 4107	Puller, gear and bearing.....	65	2306
Pipe, complete inlet.....	21	4108, 4301	Puller, tappet guide.....	65	2306
Pipe, front exhaust.....	30	4401, 4402	Pump, oil feed complete.....	19	4106, 4107
Pipe, gas feed.....	29	4304	Pump, scavenger and breather		
Pipe, inlet.....	21	4108, 4301	valve.....	19	4106, 4107
Pipe, oil tank vent.....	29	4304	Pump, tire.....	17	2306
Pipe, oil pump feed.....	29	4304	Race, drive disc. inner.....	27	4200
Pipe, oil pump return.....	29	4304	Race, left brg. outer.....	43	4700
Pipe, rear exhaust.....	30	4401, 4402	Race, outer bearing.....	43	4700
Pipe, relief.....	19	4106, 4107	Race, outer left brg.....	27	4200
Piston, complete.....	17	4103, 4104	Race, outer roller.....	26	4200
Plate, baffle.....	28	4301	Race, outer sprocket.....	27	4200
Plate, bracket spring.....	40	4609	Race, thrust.....	27	4200
Plate, caution.....	29	4304	Race, thrust bearing.....	43	4700
Plate, center stabilizer.....	50	5300	Reamer, drive and pinion.....	66	2306
Plate, circuit breaker.....	32	4600	Reamer, gear bushing clutch...	67	2306
Plate, clutch pressure.....	27	4200	Reamer, gear and drive cam.....	66	2306
Plate, coil mounting.....	34	4600	Reamer, pinion shaft bushing..	66	2306
Plate, countershaft gear end..	44	4700	Reamer, spec. expansion.....	65	2306
Plate, curved spring.....	41	4609	Reamer, trans. clutch gear.....	66	2306
Plate, felt washer.....	33	4600	Reamer, valve guide.....	67	2306
Plate, horn contact.....	34	4600	Reflector.....	37	4607, 4608
Plate, horn terminal.....	40	4609	Reinforcement, horn brkt.....	41	4609
Plate, hub bearing.....	27	4200	Relay, complete.....	60	5800
Plate, light retainer.....	34	4600	Remove, cam gear bushing.....	65	2306
Plate, mounting.....	28	4301	Retainer, ball bearing.....	27	4200
Plate, panel side.....	35	4605	Retainer, B.O. sealed unit.....	38	4607, 4608
Plate, pedal end.....	46	4707	Retainer, breaker cover.....	33	4600
Plate, piston squaring.....	67	2306	Retainer, breaker plate.....	33	4600
Plate, pivot stud.....	50	5300	Retainer, bypass ball.....	21	4106, 4107
Plate, pivot stud.....	47	5200	Retainer, cork washer.....	49	5300
Plate, rear bolt.....	55	5701	Retainer, cpt. thrust.....	27	4200
Plate, rear bolt.....	60	5800	Retainer, crank pin.....	18	4103, 4104
Plate, rocker.....	53	5406	Retainer, drive unit.....	64	6203
Plate, rod and friction.....	54	5406	Retainer, left roller.....	24	4111
Plate, seat bar.....	60	5804	Retainer, for molding.....	14	2300
Plate, skid.....	54	5506	Retainer, molding.....	15	2300
Plate, spring.....	58	5705	Retainer, oil inner.....	33	4600
Plate, spring hook.....	62	5804	Retainer, oil outer.....	33	4600
Plate, straight spring.....	41	4609	Retainer, red lens.....	38	4607, 4608
Plate, switch lock.....	36	4605	Retainer, right roller.....	24	4111
Plate, switch lower.....	36	4605	Retainer, roller large.....	48	5300
Plate, switch upper.....	36	4605	Retainer, small bearing.....	49	5300
Plate, upper cone locking.....	54	5406	Retainer, for socket.....	40	4608
Pliers, adjustable.....	16	2306	Rim, 18".....	49	5300
Plug, battery filler.....	59	5800	Ring, bearing plate spring.....	33	4600
Plug and cap, connector.....	39	4607, 4608	Ring, bearing seal.....	23	4109
Plug, connector.....	40	4608	Ring, bearing spring.....	24	4111
Plug, control coil.....	52	5404	Ring, brake shell.....	47	5200
Plug, crankcase drain.....	24	4111	Ring, clutch key.....	27	4200
Plug, drill.....	22	4108, 4301	Ring, drive end spring.....	33	4600
Plug, gear box filler.....	45	4700	Ring, gear stud spring.....	20	4106, 4107
Plug, idle passage.....	22	4108, 4301	Ring, lock retaining.....	48	5300
Plug, inner guard screw.....	58	5706	Ring, oil seal.....	43	4700
Plug, oil tank drain.....	29	4304	Ring, oil seal.....	19	4106, 4107
Plug, spark - No. 3.....	17	4100	Ring, piston pin lock.....	18	4103, 4104
Plug, timing hole.....	24	4111	Ring, piston set.....	18	4103, 4104
Plunger,.....	52	5404	Ring, push rod.....	26	4200

ALPHABETICAL LIST - CONTINUED

NAME	PAGE	GOV. GROUP NO.	NAME	PAGE	GOV. GROUP NO.
Ring, spring for cone.....	49	5300	Screw, control coil adj.....	51	5300
Rivet, bracket mounting.....	36	4605	Screw, door.....	38	4607, 4608
Rivet, brake shell.....	47	5200	Screw, door fastening.....	37	4607, 4608
Rivet, brake lining.....	47	5200	Screw, door.....	39	4608
Rivet, brake lining.....	50	5300	Screw driver.....	16	2306
Rivet, brg. housing.....	33	4600	Screw, float lever pin.....	22	4108, 4301
Rivet, center disc.....	27	4200	Screw, fork stem.....	53	5406
Rivet, contact spring.....	35	4605	Screw, frame.....	31	4600
Rivet, cover.....	36	4605	Screw, gear box adj.....	45	4700
Rivet, footboard hinge.....	57	5705	Screw, generator fastening.....	31	4600
Rivet, footboard pad.....	56	5705	Screw, hand lever pivot.....	51	5300
Rivet, hub lining.....	27	4200	Screw, inner guard.....	58	5706
Rivet, oil cup latch.....	28	4301	Screw, lever.....	22	4108, 4301
Rivet, plunger link.....	60	5804	Screw, long molding.....	14	2300
Rivet, spring disc.....	27	4200	Screw, molding short.....	15	2300
Rivet, sprocket.....	47	4903	Screw, mounting brkt.....	17	2306
Rivet, sprocket disc.....	27	4200	Screw, needle valve lock.....	22	4108, 4301
Rod, clutch lever.....	25	4200	Screw, needle valve adj.....	22	4108, 4301
Rod, clutch push.....	26	4200	Screw, panel cover.....	35	4605
Rod, foot pedal brake.....	48	5200	Screw, plug set.....	52	5404
Rod, front conn.....	18	4103, 4104	Screw, positive terminal.....	33	4600
Rod, front footboard.....	56	5705	Screw, pole piece.....	31	4600
Rod, gas valve adj.....	30	4304	Screw, push rod adj.....	26	4200
Rod, oil tank gauge.....	29	4304	Screw, rear axle adj.....	54	5506
Rod, pedal rubber.....	46	4707	Screw, relay and bracket.....	60	5800
Rod, rear brake.....	47	5200	Screw, retainer.....	38	4607, 4608
Rod, rear conn.....	18	4103, 4104	Screw, short molding.....	14	2300
Rod, rear footboard.....	56	5705	Screw, shifter guide.....	41	4700
Rod, seat post.....	60	5804	Screw, steering damper.....	54	5406
Rod, set conn.....	18	4103, 4104	Screw, strap end.....	33	4600
Rod, shifter.....	41	4700	Screw, tank top.....	29	4304
Rod, spring.....	53	5406	Screw, tappet.....	19	4105
Roller.....	48	5300	Screw, terminal conn.....	36	4606
Roller, bearing.....	27	4200	Screw, terminal.....	40	4609
Roller, countershaft.....	42	4700	Screw, terminal - 8/32".....	38	4607, 4608
Roller, countershaft.....	43	4700	Screw, terminal - 10/32".....	38	4607, 4608
Roller, crank pin.....	18	4103, 4104	Screw, toggle switch.....	38	4607, 4608
Roller, left bearing.....	43	4700	Screw, tool box mtg.....	62	5806
Roller, main shaft.....	43	4700	Screw, tube holder.....	22	4108, 4301
Roller, small.....	49	5300	Screw, valve spring cover.....	21	4106, 4107
Roller, tappet.....	19	4105	Screw, wheel mounting.....	47	5200
Rubber, pedal.....	46	4707	Screw, wheel mounting.....	49	5300
Rubber, window support.....	15	2300	Screw, wheel mounting - O.S..	47	5200
Saddle, bags.....	17	2306	Screw, wire fastening.....	52	5404
Saddle, solo.....	61	5804	Seal, cam shaft oil.....	42	4700
Screen, gas strainer.....	30	4304	Seal, clutch gear oil.....	26	4200
Screen, pressure switch.....	24	4111	Seal, clutch gear oil.....	43	4700
Screen, scavenger pump.....	19	4106, 4107	Seal, upper gas valve.....	30	4304
Screw, adjusting.....	40	4609	Seat, buddy complete.....	62	5804
Screw, adjusting thumb.....	15	2300	Shackle, front brake.....	50	5300
Screw, air intake lever.....	21	4108, 4301	Shaft, air intake.....	21	4108, 4301
Screw, baffle plate.....	28	4301	Shaft, brake crossover.....	48	5200
Screw, battery terminal.....	60	5800	Shaft, brake operating.....	47	5200
Screw, bracket clamp.....	51	5300	Shaft, gear side.....	23	4109
Screw, bottom pan clamp.....	28	4301	Shaft, idler gear.....	43	4700
Screw, bowl drain.....	22	4108, 4301	Shaft, main.....	42	4700
Screw, bracket cap.....	38	4607, 4608	Shaft, scavenger idle gear.....	21	4106, 4107
Screw, bypass valve cover.....	21	4106, 4107	Shaft, scavenger pump.....	19	4106, 4107
Screw, bypass valve adj.....	21	4106, 4107	Shaft, shifter cam.....	41	4700
Screw, carb. fastening.....	21	4108, 4301	Shaft, shifting fork.....	42	4700
Screw, cam plunger cap.....	42	4700	Shaft, shifter lever.....	41	4700
Screw, cam shaft lock.....	41	4700	Shaft, sprocket.....	23	4109
Screw, chain oiler adj.....	21	4106, 4107	Shaft, throttle.....	21	4108, 4301
Screw, clutch release.....	26	4200	Shaft, timer cpt.....	31	4600
Screw, coil mtg. plate.....	34	4600	Shaft, timer drive.....	31	4600
Screw, connection.....	28	4301	Shell, front brake.....	49	5300
Screw, connector plug.....	39	4607, 4608	Shell, front hub.....	49	5300

ALPHABETICAL INDEX - CONTINUED

NAME	PAGE	GOV. GROUP NO.	NAME	PAGE	GOV. GROUP NO.
Shell, and hub less sprkt.....	47	5200	Spring, foot clutch lever.....	25	4200
Shell, hub only.....	48	5300	Spring, friction.....	22	4108, 4301
Shell, and sprkt. brake.....	47	5200	Spring, front conn. link.....	46	4903, 5706
Shell, and sprkt. rear.....	47	5200	Spring, gear retaining.....	41	4700
Shield, left panel.....	35	4605	Spring, gear shifter.....	41	4700
Shield, right panel.....	35	4605	Spring, horn bracket.....	41	4609
Shim, armature spacing.....	33	4600	Spring, horn button.....	34	4600
Shim, spacer 5/64" thick.....	42	4700	Spring, inner guard bolt.....	59	5706
Shim, spacer .014" thick.....	42	4700	Spring, large brush.....	34	4600
Shim, spacer .007" thick.....	42	4700	Spring, leg.....	58	5705
Shims, thrust adj. .002".....	49	5300	Spring, lens retaining.....	37	4607, 4608
Shoe, cpt. brake lower.....	47	5200	Spring, lower contact.....	36	4605
Shoe, cpt. brake lower.....	50	5300	Spring, nozzle retainer.....	22	4108, 4301
Shoe, cpt. brake upper.....	47	5200	Spring, needle valve lock.....	22	4108, 4301
Shoe, cpt. brake upper.....	50	5300	Spring, needle valve.....	22	4108, 4301
Sidebar, left footboard.....	56	5705	Spring, oil cup.....	51	5300
Sidebar, right footboard.....	56	5705	Spring, oil pump relief.....	21	4106, 4107
Sleeve, axle.....	49	5300	Spring, plunger ball.....	42	4700
Sleeve, control coil adj.....	51	5300	Spring, push rod.....	26	4200
Sleeve, front axle.....	49	5300	Spring, rear guard front stud	59	5706
Sleeve, hub thrust.....	49	5300	Spring, release.....	54	5406
Sleeve, roller bearing.....	48	5300	Spring, seal ring.....	23	4109
Socket, for bulb.....	40	4608	Spring, seal ring.....	19	4106, 4107
Socket, side bulb.....	35	4605	Spring, seat post aux.....	60	5804
Socket, spark plug.....	16	2306	Spring, seat post recoil.....	60	5804
Spacer, axle.....	49	5300	Springs, set lower.....	60	5804
Spacer, clip bolt.....	62	5804	Spring, side bulb.....	35	4605
Spacer, cylinder brkt.....	54	5506	Spring, small brush.....	34	4600
Spacer, eye bolt.....	15	2300	Spring, starter crank.....	46	4707
Spacer, gas valve.....	30	4304	Spring, starter clutch.....	45	4707
Spacer, mainshaft.....	42	4700	Spring, stop light.....	39	4607, 4608
Spacer, mainshaft - set.....	42	4700	Spring, switch contact.....	36	4605
Spacer, panel stem.....	36	4605	Spring, throttle shaft.....	21	4108, 4301
Spacer, rear safety guard.....	64	6100	Spring, upper.....	52	5406
Spacer, rear axle.....	49	5300	Spring, valve.....	19	4105
Spacer, rear stud.....	62	5804	Sprocket, motor - 31 tooth.....	47	4903
Spacer, rear upper bolt.....	28	4301	Sprocket, motor - 33 tooth.....	47	4903
Spacer, spring yoke.....	62	5804	Sprocket, clutch.....	27	4200
Spacer, switch mtg.....	36	4605	Sprocket, clutch - 59 tooth...	47	4903
Spacer, tool box mtg.....	62	5806	Sprocket, countershaft 16		
Spiral.....	52	5404	tooth.....	47	4903
Spoke, front brake 5 - 5/16".....	49	5300	Sprocket, countershaft 17		
Spoke, front wheel 8 - 3/8".....	49	5300	tooth.....	47	4903
Spoke, rear.....	49	5300	Sprocket, complete.....	27	4200
Spring, adj. rod.....	30	4304	Sprocket, rear wheel tooth.....	47	4903
Spring, apron.....	16	2300	Stand, complete jiffy.....	58	5705
Spring, brake.....	47	5200	Stand, rear.....	58	5705
Spring, brake lever.....	58	5705	Stand, wheel truing.....	65	2306
Spring, brake shoe.....	50	5300	Stem, panel switch.....	36	4605
Spring, breaker lever.....	33	4600	Strainer, air cleaner.....	28	4301
Spring, buddy seat.....	62	5804	Strainer, crankcase oil.....	23	4111
Spring, buffer.....	53	5406	Strainer, gas.....	29	4304
Spring, bumper 3 - 1/8".....	52	5406	Strap, generator.....	31	4600
Spring, bypass valve.....	21	4106, 4107	Strap, timer lever.....	33	4600
Spring, center bulb.....	35	4605	Strap, timer operating.....	33	4600
Spring, check valve.....	21	4106, 4107	Strap, U bolt.....	34	4600
Spring, clevis pin.....	60	5804	Strip, legshield flap left.....	16	2300
Spring, clutch.....	27	4200	Strip, legshield flap right....	16	2300
Spring, conn. link rear.....	46	4903, 5706	Strip, tank top.....	29	4304
Spring, contact pin.....	34	4600	Stud, bracket spring.....	25	4200
Spring, countershaft.....	45	4707	Stud, brake arm anchor.....	47	5200
Spring, cushion.....	60	5804	Stud, brake lever.....	57	5705
Spring, cushion.....	52	5406	Stud, brake operating.....	50	5300
Spring, cushion flat.....	60	5804	Stud, brake shackle.....	51	5300
Spring, drive end.....	33	4600	Stud, brake shoe pivot.....	47	5200
Spring, feed pump vane.....	21	4106, 4107	Stud, clutch rod.....	25	4200

ALPHABETICAL LIST - CONTINUED

NAME	PAGE	GOV. GROUP NO.	NAME	PAGE	GOV. GROUP NO.
Stud, crankcase 1 - 5/8".....	24	4111	Unit, B.O. light sealed.....	38	4607, 4608
Stud, crankcase 4 - 1/2".....	24	4111	Unit, drive.....	64	6203
Stud, crankcase - 5".....	24	4111	Unit, service complete.....	40	4608
Stud, cylinder base.....	17	4100	Unit, stop light cpt.....	40	4608
Stud, footboard 2 - 5/8" left	57	5705	Unit, tail lamp cpt.....	40	4608
Stud, footboard 2 - 15/32" left.....	57	5705	Vane, feed pump.....	21	4106, 4107
Stud, footboard 2 - 29/32" right.....	57	5705	Valve, exhaust.....	19	4105
Stud, footboard 3 - 7/32" right.....	57	5705	Valve, feed pump governor.....	20	4106, 4107
Stud, gear box mtg.....	45	4700	Valve, gear breather.....	19	4106, 4107
Stud, idling gear.....	20	4106, 4107	Valve, high speed needle.....	22	4108, 4301
Stud, inner drive hub.....	27	4200	Valve, inlet.....	19	4105
Stud, left front rocker.....	53	5406	Valve, low speed needle.....	22	4108, 4301
Stud, luggage carrier left.....	55	5506	Valve, with seat float.....	22	4108, 4301
Stud, luggage carrier right.....	55	5506	Venturi, 15/16".....	22	4108, 4301
Stud, and nut rod lock.....	57	5705	Venturi, 1 - 1/16".....	22	4108, 4301
Stud, oiler mounting.....	19	4106, 4107	Volt - ammeter, combination...	65	2306
Stud, panel base.....	35	4605	Washer, .002" adj. screw.....	21	4106, 4107
Stud, pivot.....	50	5300	Washer, adj. rod.....	30	4304
Stud, rear bracket.....	59	5706	Washer, adjusting.....	54	5406
Stud, rocker plate.....	53	5406	Washer, armature.....	33	4600
Stud, rear saddle.....	62	5804	Washer, armature steel.....	33	4600
Stud, right front rocker.....	53	5406	Washer, axle nut lock.....	49	5300
Stud, shackle band.....	51	5300	Washer, baffle plate.....	28	4301
Stud, shifter lever.....	41	4700	Washer, bearing.....	27	4200
Stud, spring.....	62	5804	Washer, bearing spacer.....	27	4200
Stud, spring guide.....	27	4200	Washer, bearing thrust.....	27	4200
Stud, sprocket cover.....	45	4700	Washer, bearing thrust.....	43	4700
Stud, stabilizer collar.....	50	5300	Washer, B.O. bearing.....	38	4607, 4608
Stud, starter spring.....	46	4707	Washer, bracket bolt.....	43	4700
Stud, timer control connection	52	5404	Washer, brake thrust.....	48	5300
Stud, timer lever.....	33	4600	Washer, cable packing.....	33	4600
Support, carburetor.....	21	4108, 4301	Washer, cam gear shaft.....	20	4106, 4107
Switch, headlight.....	34	4600	Washer, case cover.....	42	4700
Switch, horn.....	34	4600	Washer, clutch cable.....	25	4200
Switch, ignition.....	36	4605	Washer, clutch nut lock.....	26	4200
Switch, oil pressure.....	24	4111	Washer, complete - set.....	43	4700
Switch, panel light.....	36	4605	Washer, cone lock.....	49	5300
Switch, stop light.....	39	4607, 4608	Washer, contact plate.....	33	4600
Switch, B.O. toggle.....	38	4607, 4608	Washer, countershaft bearing..	43	4700
Tank, left gas.....	29	4304	Washer, curved friction.....	25	4200
Tank, right oil.....	29	4304	Washer, cyl. head bolt.....	17	4100
Tap, handlebar end.....	65	2306	Washer, drive end felt.....	33	4600
Tappet.....	19	4105	Washer, felt.....	51	5300
Terminal.....	36	4606	Washer, fibre.....	37	4606
Terminal, and eyelet.....	36	4606	Washer, fibre friction.....	54	5406
Terminal, lead.....	31	4600	Washer, fibre insulating.....	36	4605
Terminal, low tension.....	33	4600	Washer, filler plug.....	59	5800
Terminal, spark plug.....	33	4600	Washer, flat friction.....	25	4200
Terminal, small.....	36	4606	Washer, flywheel.....	23	4109
Tool, chain.....	16	2306	Washer, fork stud lock.....	51	5300
Tool, gear oil seal.....	67	2306	Washer, friction stud lock.....	25	4200
Tool, kit cpt.....	16	2306	Washer, front bolt.....	61	5804
Tool, lock ring.....	65	2306	Washer, footboard spacing.....	57	5705
Tool, piston pin bushing.....	66	2306	Washer, gas strainer.....	30	4304
Tool, roll.....	16	2306	Washer, gas valve nipple.....	30	4304
Tool, tail lamp assem.....	65	2306	Washer, generator strap.....	31	4600
Tool, valve key.....	65	2306	Washer, horn spring.....	34	4600
Tools, set carb. cleanup.....	65	2306	Washer, inlet nipple.....	22	4108, 4301
Tools, set of tire.....	16	2306	Washer, inner disc. lock.....	27	4200
Top, only buddy seat.....	62	5804	Washer, inner stabilizer.....	50	5300
Transmission, complete.....	41	4700	Washer, inner thrust.....	43	4700
Tube, air bleed.....	22	4108, 4301	Washer, left bearing.....	24	4111
"U" bolt, front guard.....	63	6100	Washer, left bearing thrust...	43	4700
"U" bolt, rear guard.....	64	6100	Washer, left bearing retaining	43	4700
			Washer, left retainer.....	27	4200
			Washer, lens packing.....	37	4607, 4608

ALPHABETICAL INDEX - CONCLUDED

NAME	PAGE	GOV. GROUP NO.	NAME	PAGE	GOV. GROUP NO.
Washer, lock bushing.....	42	4700	Window, only.....	14	2300
Washer, low & 2nd gear.....	43	4700	Window, panel cpt. green.....	35	4605
Washer, low gear end.....	43	4700	Window, panel cpt. red.....	35	4605
Washer, release lock.....	26	4200	Window, for shield.....	14	2300
Washer, 2nd gear.....	43	4700	Wire, battery ground.....	37	4606
Washer, shaft lock.....	23	4109	Wire, battery positive.....	37	4606
Washer, spring stud lock.....	27	4200	Wire, B.O. lamp.....	38	4607, 4608
Washer, mainshaft lock.....	42	4700	Wire, circuit breaker.....	33	4600
Washer, mounting bolt lock.....	38	4607, 4608	Wire, circuit breaker.....	36	4606
Washer, mounting brkt.....	17	2306	Wire, connection.....	36	4606
Washer, nipple bolt.....	29	4304	Wire, control.....	51	5300
Washer, nipple packing.....	24	4111	Wire, control.....	52	5404
Washer, oil.....	27	4200	Wire, field coil 5 - 1/4".....	36	4606
Washer, outer stabilizer.....	50	5300	Wire, field coil 6 - 1/4".....	36	4606
Washer, paper screw.....	29	4304	Wire, with fuse holder.....	37	4606
Washer, pedal pin spring.....	46	4707	Wire, fuse holder red.....	37	4606
Washer, pivot screw.....	51	5300	Wire, gen. to battery.....	36	4606
Washer, push rod.....	27	4200	Wire, gen. to relay.....	36	4606
Washer, release lock.....	26	4200	Wire, gen. to switch.....	36	4606
Washer, release spring.....	54	5406	Wire, head lamp.....	36	4606
Washer, release spring.....	26	4200	Wire, horn switch.....	37	4606
Washer, right bearing.....	24	4111	Wire, horn and toggle switch..	36	4606
Washer, scavenger gear.....	21	4106, 4107	Wire, marker lamp.....	36	4606
Washer, screw plug.....	58	5706	Wire, negative ground.....	37	4606
Washer, sealing.....	30	4304	Wire, oil pressure switch.....	37	4606
Washer, set oil retaining.....	43	4700	Wire, panel contact.....	37	4606
Washer, small .072".....	33	4600	Wire, signal light.....	37	4606
Washer, small cork.....	49	5300	Wire, stop light pull.....	39	4607, 4608
Washer, small spring.....	59	5706	Wire, stop light switch.....	37	4606
Washer, spider friction.....	54	5406	Wire, stop and tail lamp.....	36	4606
Washer, spring.....	36	4605	Wiring, lamp inside.....	38	4607, 4608
Washer, spring screw.....	29	4304	Wiring, set.....	36	4606
Washer, spring shaft.....	47	5200	Wrench, 1/2" and 7/16" hex.....	16	2306
Washer, spring stabilizer.....	50	5300	Wrench, 1 - 3/4" and 3/4".....	16	2306
Washer, sprocket side.....	48	5300	Wrench, 1 - 3/8" and 7/16".....	16	2306
Washer, sprocket side.....	43	4700	Wrench, clutch.....	67	2306
Washer, steel.....	36	4605	Wrench, clutch disc. nut.....	67	2306
Washer, steering damper rod...	54	5406	Wrench, cyl. base nut.....	67	2306
Washer, steering damper plain	54	5406	Wrench, head bolt.....	65	2306
Washer, stud brass.....	33	4600	Wrench, front wheel spoke.....	65	2306
Washer, stud fibre.....	33	4600	Wrench, flywheel shaft nut.....	67	2306
Washer, tank cap.....	29	4304	Wrench, lapping arbor.....	65	2306
Washer, term. insulating.....	34	4600	Wrench, manifold.....	65	2306
Washer, terminal screw.....	37	4606	Wrenches, set tappet adj.....	65	2306
Washer, thick thrust.....	49	5300	Wrench, spoke nipple.....	65	2306
Washer, thrust.....	43	4700	Wrench, spark plug.....	65	2306
Washer, tool box screw.....	63	5806	Wrench, sprocket nut.....	67	2306
Weight, feed pump governor.....	21	4106, 4107	Wrench, valve cover.....	65	2306
Wheel, and brake shell front..	49	5300	Wrench, wheel mtg.....	65	2306
Wheel, cpt. less tire.....	48	5300	Wrench, wheel screw.....	65	2306
Windshield, complete.....	14	2300	Yoke, spring.....	62	5804
Window, and frame.....	14	2300			
Window, for license.....	39	4607, 4608			

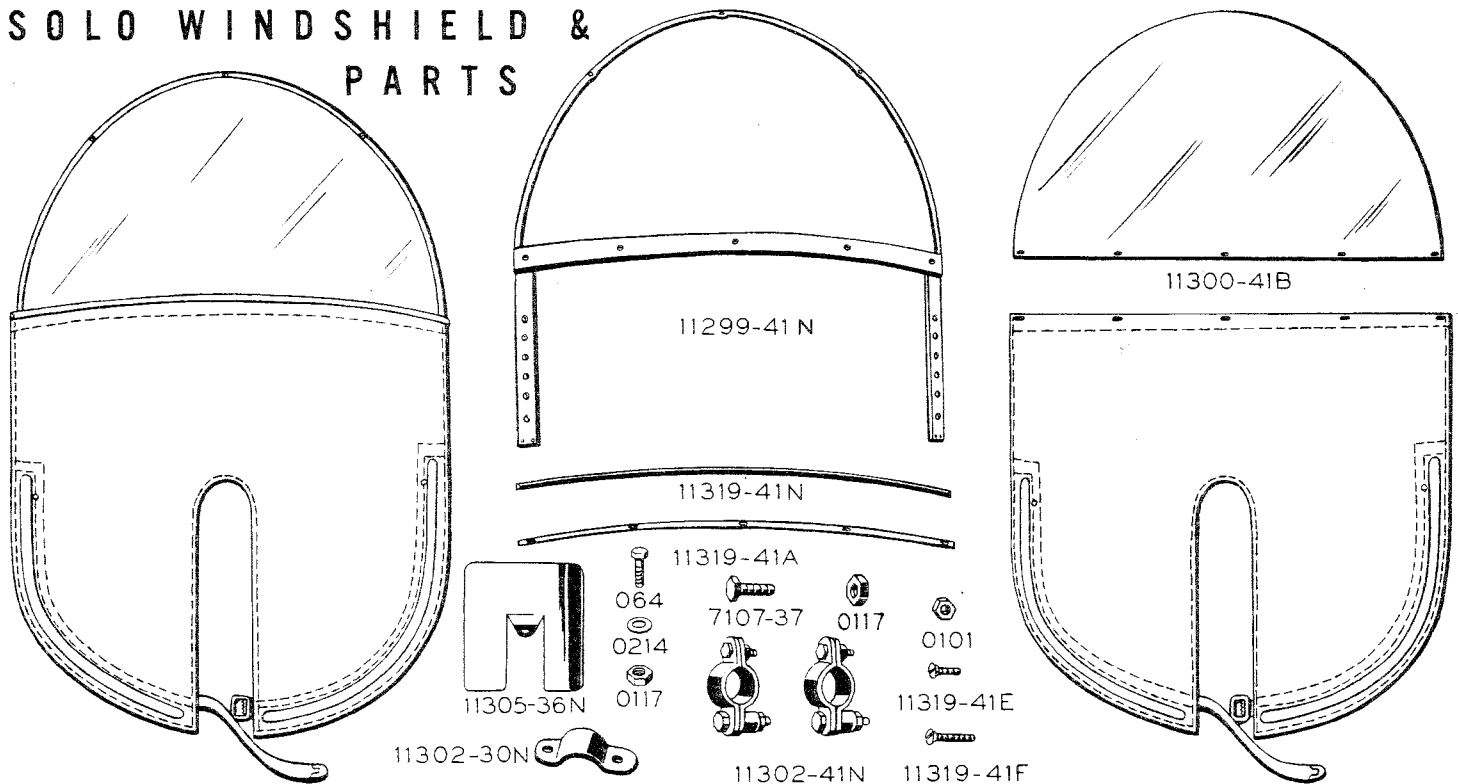
GROUP 2300

Part No.	Name of Part	Unit Mfg.	Number Used On			Used For 100 Units
			40WLA	41WLA	42WLA	

GROUP 2300 SOLO WINDSHIELD AND PARTS

11292-36NC	Windshield, complete.....	HDMC	1	1	1	4
11299-41N	Frame, only.....	HDMC	0	0	1	1
♦11300-41B	Window, for shield.....	HDMC	0	0	1	15
11319-41N	Molding, lower shield.....	HDMC	0	0	1	7
♦11319-41A	Retainer, for molding.....	HDMC	0	0	1	1
♦11319-41E	Screw, short molding.....	HDMC	0	0	3	8
♦0101	Nut, molding screw..... 6-32 U.S.F. x 7/64" x 5/16" hexagon nut	HDMC	0	0	5	See "0" list
♦11319-41F	Screw, long molding.....	HDMC	0	0	2	4
11302-41N	Clamps, set handlebar cpt.....	HDMC	0	0	1	4
11302-30N	Clamp, for handlebar.....	HDMC	0	0	4	5

SOLO WINDSHIELD & PARTS



11292-36 NC WINDSHIELD COMPLETE

11306-41BN

♦7107-37	Bolt, clamp eye.....	HDMC	0	0	2	8
♦0117	Nut, eye bolt..... 5/16"-24 U.S.F. x 17/64" x 1/2" hexagon nut	HDMC	0	0	2	See "0" list
♦066	Bolt, clamp small..... 5/16"-24 U.S.F. x 1" x 1/2" hexagon head bolt	HDMC	0	0	2	See "0" list
11305-36N	Guard, fork spring.....	HDMC	0	0	1	3
♦064	Bolt, fork spring guard..... 5/16"-24 U.S.F. x 3/4" x 1/2" hexagon bolt	HDMC	0	0	1	See "0" list
♦0117	Nut, fork spring guard..... 5/16"-24 U.S.F. x 17/64" x 1/2" hexagon nut	HDMC	0	0	1	See "0" list
♦0214	Washer, fork spring guard..... 5/16" x 5/8" x 1/16" plain steel washer	HDMC	0	0	1	See "0" list
11306-41BN	Apron, complete.....	HDMC	0	0	1	3
11307-41N	Clip, apron.....	HDMC	0	0	2	3

GROUP 2300 HANDLEBAR WINDSHIELD AND LEGSHIELDS

11296-38N	Legshields, complete.....	HDMC	1	1	1	1
11298-30N	Frame, apron.....	HDMC	1	0	0	1
11299-41AN	Frame, apron.....	HDMC	0	1	0	1
♦6658-25	Fasteners, lift-the-dot.....	HDMC	7	0	0	2
♦11299-30	Window and frame.....	HDMC	1	0	0	1
♦11300-30	Window.....	HDMC	1	0	0	15

Part No.	Name of Part	Unit Mfg.	Number Used On			Used For 100 Units
			40WLA	41WLA	42WLA	

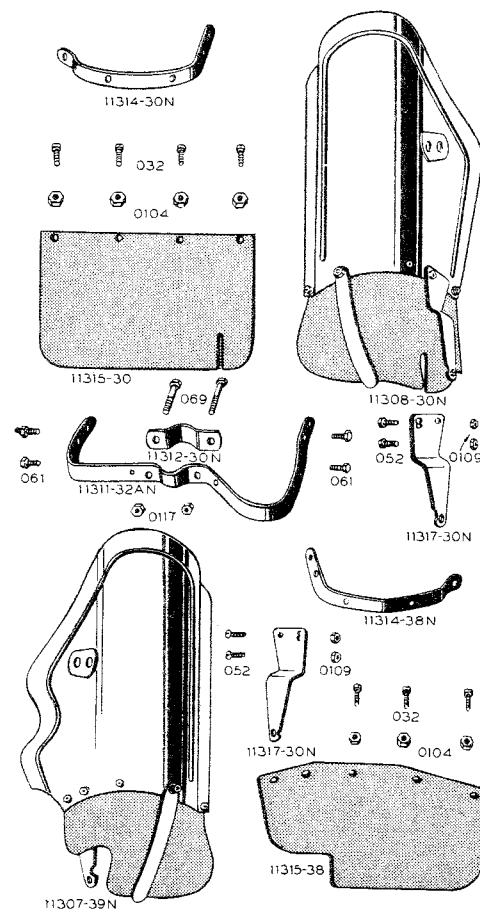
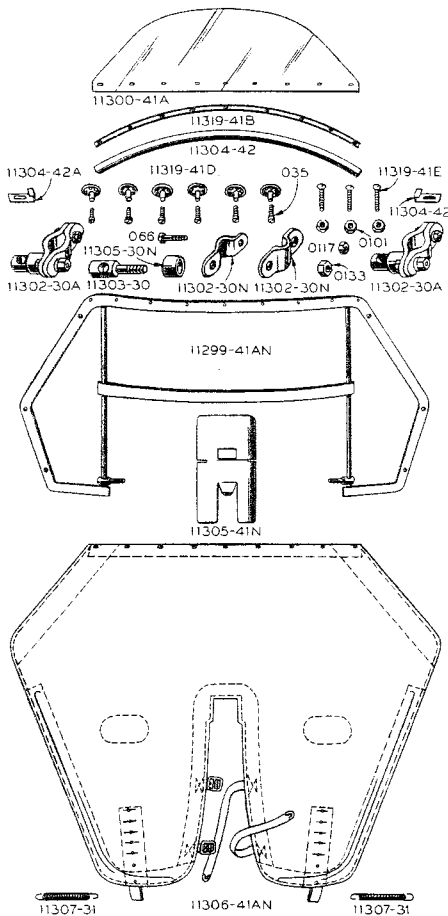
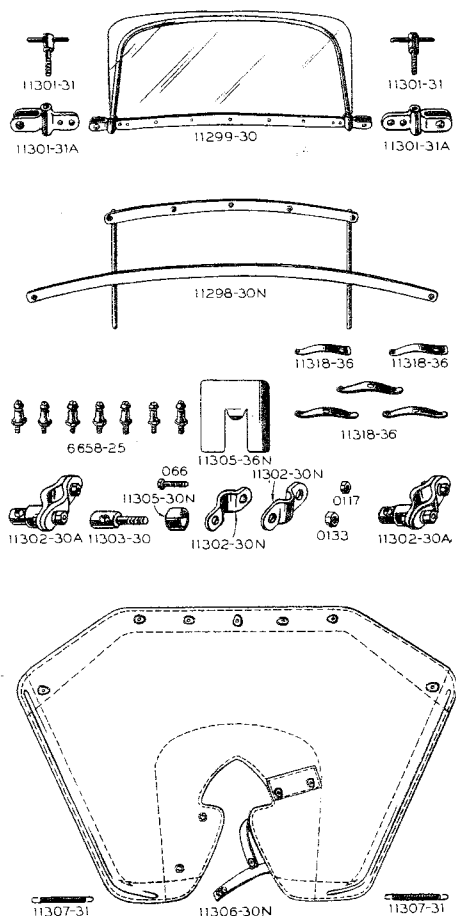
GROUP 2300 HANDLEBAR WINDSHIELD AND LEGSHIELDS-(Continued)

♦11300-41A	Window.....	HDMC	0	1	0	15
♦11319-41B	Retainer, molding.....	HDMC	0	1	0	1
♦035	Screw, retainer..... #10-32 x 3/8" fillister head screw	HDMC	0	6	0	See "0" list
♦11319-41D	Nut, shield tee.....	HDMC	0	6	0	2
♦11319-41E	Screw, molding short..... #6-32 x 1/2" flat head screw.	HDMC	0	3	0	5
♦0101	Nut, molding screw..... #6-32 x 7/64" x 5/16" hexagon nut	HDMC	0	5	0	See "0" list
♦11301-31	Screw, adjusting thumb.....	HDMC	2	0	0	6
♦11301-31A	Clamp, thumb screw.....	HDMC	2	0	0	1
♦11302-30A	Clamp, set handlebar.....	HDMC	1	0	0	3
11302-30N	Clamp, handlebars.....	HDMC	4	4	0	7
♦11303-30	Bolt, clamp eye.....	HDMC	2	2	0	6
♦0133	Nut, eye bolt..... 7/16"-20 U.S.F. x 3/8" x 5/8" hexagon nut	HDMC	2	2	0	See "0" list
♦066	Bolt, clamp small..... 5/16"-24 U.S.F. x 1" x 1/2" hexagon head bolt	HDMC	2	2	0	See "0" list
♦0117	Nut, clamp bolt..... 5/16"-24 U.S.F. x 17/64" x 1/2" hexagon nut	HDMC	2	2	0	See "0" list
11304-42	Rubber, window support.....	HDMC	0	0	1	12
11304-42A	Clip, window rubber.....	HDMC	0	0	2	6
11305-30N	Spacer, eye bolt.....	HDMC	2	2	0	5
11305-36N	Guard, fork spring.....	HDMC	1	0	0	1
11305-41N	Guard, fork spring.....	HDMC	0	1	0	1
11306-30N	Apron, complete.....	HDMC	1	0	0	3
11306-41AN	Apron, complete.....	HDMC	0	1	0	3

WINDSHIELD - 1940

WINDSHIELD - 1941

LEGSHIELDS



GROUPS 2300, 2306

Part No.	Name of Part	Unit Mfg.	Number Used On			Used For 100 Units
			40WLA	41WLA	42WLA	

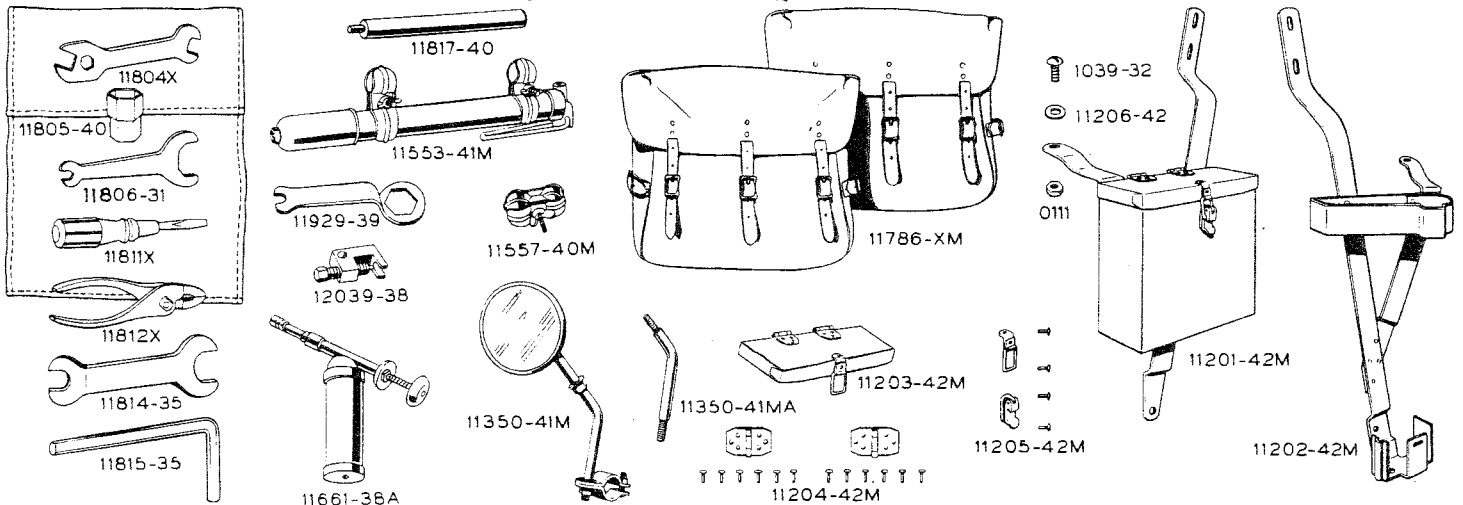
GROUP 2300 HANDLEBAR WINDSHIELD AND LEGSHIELDS (Continued)

♦11318-36	Clip, apron.....	HDMC	3	0	0	1
♦11318-36A	Clip, apron.....	HDMC	2	0	0	2
♦11307-31	Spring, apron.....	HDMC	2	2	0	6
11307-39N	Legshield, left.....	HDMC	1	1	1	1
11308-30N	Legshield, right.....	HDMC	1	1	1	1
♦061	Bolt, legshield brkt..... 5/16"-24 U.S.F. x 1/2" x 1/2" hexagon head bolt	HDMC	4	4	4	See "0" list
11311-32AN	Bracket, legshield.....	HDMC	1	1	1	5
11312-30N	Clamp, bracket.....	HDMC	1	1	1	1
♦069	Bolt, bracket clamp..... 5/16"-24 U.S.F. x 1-3/8" x 9/16" hexagon head bolt	HDMC	2	2	2	See "0" list
♦0117	Nut, bracket bolt..... 5/16"-24 U.S.F. x 17/64" x 1/2" hexagon nut	HDMC	2	2	2	See "0" list
11314-30N	Strip, legshield flap, right.....	HDMC	1	1	1	1
11314-38N	Strip, legshield flap, left.....	HDMC	1	1	1	1
♦11315-30	Flap, rubber, right.....	HDMC	1	1	1	1
♦11315-38	Flap, rubber, left.....	HDMC	1	1	1	1
♦032	Screw, flap..... #10-24 x 5/8" fillister head screw	HDMC	5	5	5	See "0" list
♦0104	Nut, flap Screw..... #10-24 x 1/8" x 3/8" hex. nut	HDMC	5	5	5	See "0" list
11317-30N	Bracket, lower.....	HDMC	2	2	2	1
♦052	Bolt, lower bracket..... 1/4"-24 U.S.F. x 5/8" round head screw	HDMC	3	3	3	See "0" list
♦0109	Nut, bracket bolt..... 1/4"-24 U.S.F. x 7/32" x 7/16" hex. nut	HDMC	3	3	3	See "0" list

GROUP 2306 TOOL KIT - EQUIPMENT

♦11800-40A	Tool kit, cpt.....	HDMC	1	1	1	2
♦11804-X	Wrench, 1/2" and 7/16" hexagon.....	HDMC	1	1	1	5
♦11805-40	Socket, spark plug.....	HDMC	1	1	1	3
♦11806-31	Wrench, 1-3/8" and 7/16".....	HDMC	1	1	1	4
♦11811-X	Screw driver.....	HDMC	1	1	1	2
♦11812-X	Pliers, adjustable.....	HDMC	1	1	1	3
♦11814-35	Wrench, 1-3/4" and 3/4".....	HDMC	1	1	1	1
♦11815-35	Wrench, wheel mtg.....	HDMC	1	1	1	9
♦11819-XA	Tool roll.....	HDMC	1	1	1	3
♦12039-38	Tool, chain.....	HDMC	1	1	1	5
♦11551-X	Tire tools, set.....	HDMC	1	1	1	3
♦11817-40	Handle, chain tool.....	HDMC	1	1	1	5
♦11929-39	Wrench, spark plug.....	HDMC	1	1	1	3

TOOL KIT & EQUIPMENT



Part No.	Name of Part	Unit Mfg.	Number Used On			Used For 100 Units
			40WLA	41WLA	42WLA	

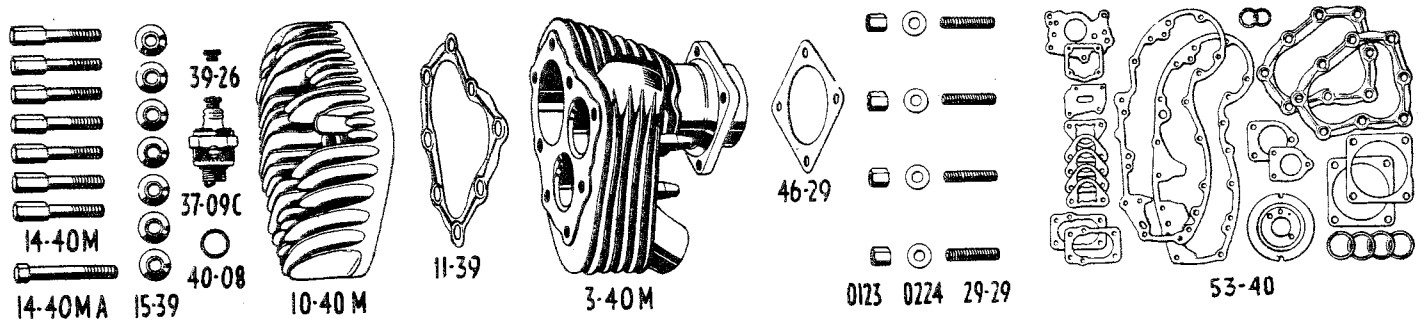
GROUP 2306 TOOL KIT - EQUIPMENT - (Continued)

11553-41M	Pump, tire.....	HDMC	1	1	1	1
11557-40M	Clamp, tire pump assem.....	HDMC	2	2	2	14
11661-38A	Grease gun, Kleenseal.....	HDMC	1	1	1	2
11350-41M	Mirror, rear view.....	HDMC	0	1	1	5
11350-41MA	Brkt., mirror ext.....	HDMC	0	1	1	2
11786-XM	Saddle bags.....	HDMC	0	1	1	3
11201-42M	Box, sub mch. gun ammun.....	HDMC	1	1	1	7
11202-42M	Brkt., sub mch. gun carr.....	HDMC	1	1	1	14
11203-42M	Cover, cpt.....	HDMC	1	1	1	7
11204-42M	Hinges, pair cpt.....	HDMC	1	1	1	14
11205-42M	Latch, cpt.....	HDMC	1	1	1	14
1039-32	Screw, mounting brkt.....	HDMC	1	1	1	7
11206-42	Washer, mounting brkt.....	HDMC	1	1	1	7
0111	Nut, mounting brkt.....	HDMC	1	1	1	See "0" list
	5/16"-18 U.S.S. x 1/4" x 1/2" hexagon nut					

GROUP 4100 MOTOR - CYLINDERS - HEADS

1-40M	Motor Assem. complete.....	HDMC	1	1	1	7
2-40M	Cylinder, front.....	HDMC	1	1	1	4
3-40M	Cylinder, rear.....	HDMC	1	1	1	4
9-40M	Head, front cylinder.....	HDMC	1	1	1	3
10-40M	Head, rear cylinder.....	HDMC	1	1	1	3
11-39	Gasket, cylinder head.....	HDMC	2	2	2	230
14-40M	Bolt, cyl. head, short.....	HDMC	14	14	14	44
14-40MA	Bolt, cyl. head, long.....	HDMC	2	2	2	8
15-39	Washer, cyl. head bolt.....	HDMC	14	14	14	44
29-29	Stud, cylinder base.....	HDMC	8	8	8	9
0123	Nut, cylinder stud.....	HDMC	8	3	8	See "0" list
	3/8"-24 U.S.F. x 1/2" x 9/16" hexagon nut					

CYLINDER & HEADS



0224	Washer cylinder base stud.....	HDMC	8	8	8	See "0" list
	3/8" x 13/16" x 1/16" plain steel washer					
37-09C	Plug, spark #3.....	HDMC	2	2	2	280
39-26	Nut, spark plug term.....	HDMC	2	2	2	4
40-08	Gasket, spark plug.....	HDMC	2	2	2	4
	23/32" I.D. x 15/16" O.D. folded copper					
46-29	Gasket, cylinder base.....	HDMC	2	2	2	280
53-40	Gasket, set motor.....	HDMC	1	1	1	32

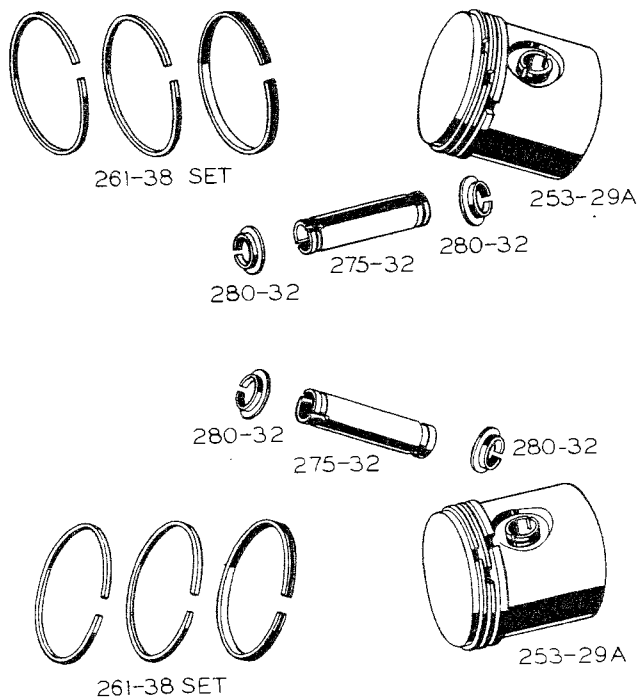
GROUP 4103-4104 PISTONS - CONNECTING RODS - ROD BEARINGS

253-29A	Piston, complete - std.....	HDMC	2	2	2	60
253-29C	Piston, complete, .005" O.S.....	HDMC	2	2	2	21
253-29D	Piston, complete, .010" O.S.....	HDMC	2	2	2	21
253-29E	Piston, complete, .020" O.S.....	HDMC	2	2	2	21
253-29F	Piston, complete, .030" O.S.....	HDMC	2	2	2	7

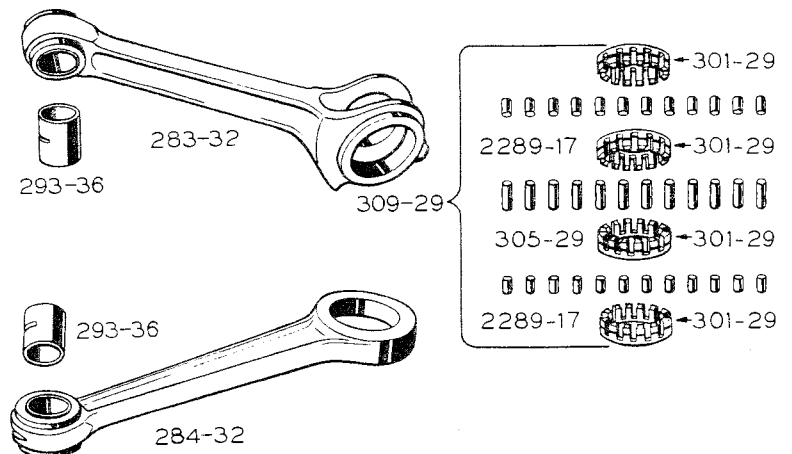
Part No.	Name of Part	Unit Mfg.	Number Used On			Used For 100 Units
			40WLA	41WLA	42WLA	

GROUP 4103-4104 PISTONS - CONNECTING RODS - ROD BEARINGS-(Continued)

♦253-29G	Piston complete .040" O.S.....	HDMC	2	2	2	5
♦261-38	Ring, set piston Std.....	HDMC	1	1	1	100
♦261-38A	Ring, set piston .005" O.S.....	HDMC	1	1	1	50
♦261-38B	Ring, set piston .010" O.S.....	HDMC	1	1	1	50
♦261-38C	Ring, set piston .020" O.S.....	HDMC	1	1	1	50
♦261-38D	Ring, set piston .030" O.S.....	HDMC	1	1	1	50
♦261-38E	Ring, set piston .040" O.S.....	HDMC	1	1	1	50
♦275-32	Pin, Piston, standard.....	HDMC	2	2	2	30
♦275-32C	Pin, piston - .002" O.S.....	HDMC	2	2	2	16
♦275-32D	Pin, piston - .004" O.S.....	HDMC	2	2	2	16
♦275-32E	Pin, piston - .006" O.S.....	HDMC	2	2	2	16
♦275-32F	Pin, piston - .008" O.S.....	HDMC	2	2	2	9
♦275-32G	Pin, piston - .010" O.S.....	HDMC	2	2	2	5
♦280-32	Ring, piston pin lock.....	HDMC	2	2	2	205
♦283-32	Rod, rear conn.....	HDMC	1	1	1	2
♦284-32	Rod, front conn.....	HDMC	1	1	1	1
♦289-32	Rod, set conn.....	HDMC	1	1	1	4
♦293-36	Bushing, piston pin.....	HDMC	2	2	2	140
♦301-29	Retainer, crank pin.....	HDMC	4	4	4	100
♦2289-17	Roller, crank pin - standard.....	HDMC	24	24	24	200
♦2289-17D	Roller, crank pin .0002" O.S.....	HDMC	24	24	24	200
♦2289-17F	Roller, crank pin .0004" O.S.....	HDMC	24	24	24	200
♦2289-17H	Roller, crank pin .0006" O.S.....	HDMC	24	24	24	200
♦2289-17KA	Roller, crank pin .0008" O.S.....	HDMC	24	24	24	200
♦2289-17MA	Roller, crank pin .001" O.S.....	HDMC	24	24	24	200
♦305-29	Roller, crank pin, standard.....	HDMC	12	12	12	100
♦305-29D	Roller, crank pin, .0002" O.S.....	HDMC	12	12	12	100
♦305-29F	Roller, crank pin, .0004" O.S.....	HDMC	12	12	12	100
♦305-29H	Roller, crank pin, .0006" O.S.....	HDMC	12	12	12	100
♦305-29KA	Roller, crank pin, .0008" O.S.....	HDMC	12	12	12	100
♦305-29MA	Roller, crank pin, .001" O.S.....	HDMC	12	12	12	100
♦309-29	Bearings, set Std.....	HDMC	1	1	1	4
♦309-29D	Bearings, set .0002" O.S.....	HDMC	1	1	1	4
♦309-29F	Bearings, set .0004" O.S.....	HDMC	1	1	1	4
♦309-29H	Bearings, set .0006" O.S.....	HDMC	1	1	1	4
♦309-29KA	Bearings, set .0008" O.S.....	HDMC	1	1	1	4
♦309-29MA	Bearings, set .001" O.S.....	HDMC	1	1	1	4



PISTON & CONNECTING ROD ASSEMBLY

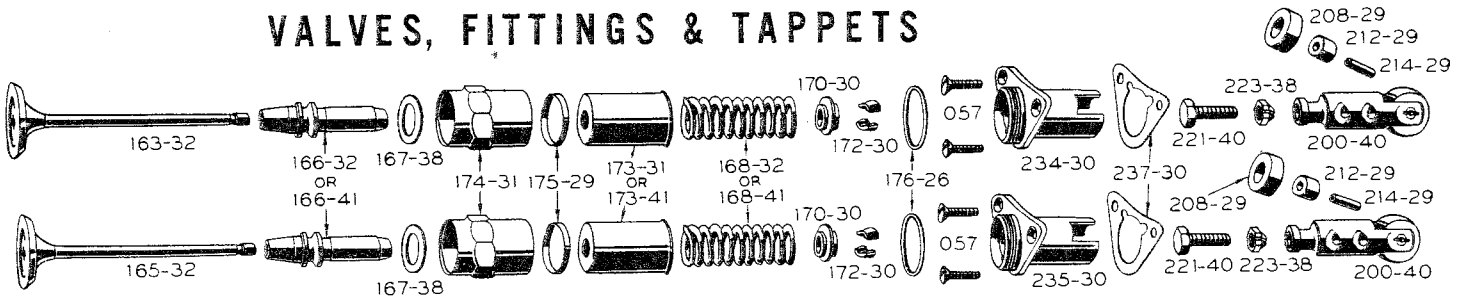


Part No.	Name of Part	Unit Mfg.	Number Used On			Used For 100 Units
			40WLA	41WLA	42WLA	

GROUP 4105 VALVES - FITTINGS - TAPPETS

◆163-32	Valve, inlet.....	HDMC	2	2	2	24
◆165-32	Valve, exhaust.....	HDMC	2	2	2	26
◆166-32	Guide, valve.....	HDMC	4	0	0	86
◆166-41	Guide, valve.....	HDMC	0	4	4	86
◆167-38	Oil seal, valve guide.....	HDMC	4	4	4	45
◆168-32	Spring, valve.....	HDMC	4	0	0	80
◆168-41	Spring, valve.....	HDMC	0	4	4	80
◆170-30	Collar, valve spring.....	HDMC	4	4	4	4
◆172-30	Key, valve collar.....	HDMC	4	4	4	23
◆173-31	Cover, upper valve spr.....	HDMC	4	4	4	7
◆173-41	Cover, upper valve spr.....	HDMC	0	4	4	7
◆174-31	Cover, lower valve spr.....	HDMC	4	4	4	5
◆175-29	Packing, valve cover.....	HDMC	4	4	4	84

VALVES, FITTINGS & TAPPETS



◆176-26	Gasket, valve cover.....	HDMC	4	4	4	350
◆185-41M	Collar, valve guide, (Supplied on spare cylinders only).....	HDMC	4	4	4	4
◆200-40	Tappet.....	HDMC	4	4	4	11
◆208-29	Roller, tappet.....	HDMC	4	4	4	10
◆212-29	Bushing, tappet roller.....	HDMC	4	4	4	10
◆214-29	Pin, tappet roller.....	HDMC	4	4	4	10
◆221-40	Screw, tappet.....	HDMC	4	4	4	38
◆223-38	Nut, tappet screw.....	HDMC	4	4	4	36
◆234-30	Guide, front tappet.....	HDMC	2	2	2	4
◆235-30	Guide, rear tappet.....	HDMC	2	2	2	4
◆057	Screw, tappet guide.....	HDMC	8	8	8	See "0" list
◆237-30	Gasket, tappet guide.....	HDMC	5	5	5	56

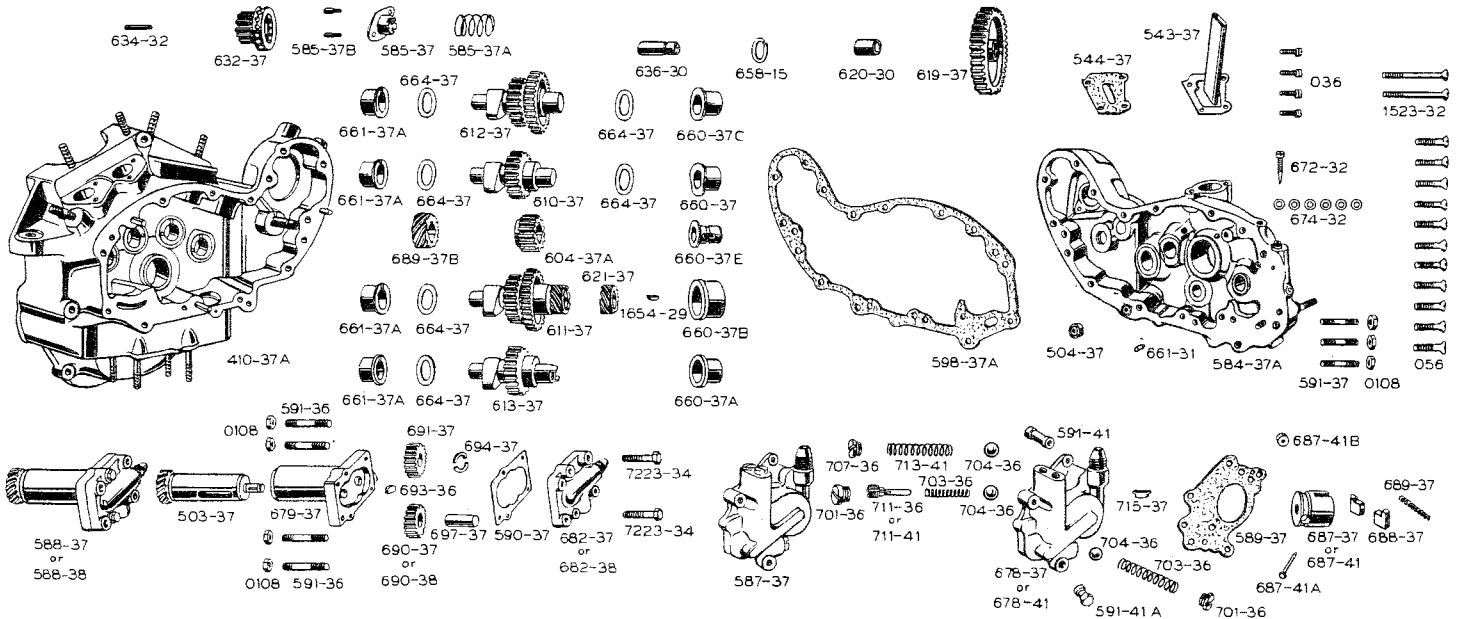
GROUP 4106, 4107 CRANK CASE RELIEF PARTS - GEAR COVERS - OIL PUMPS - GEARS

◆503-37	Shaft, scavenger pump.....	HDMC	1	1	1	1
◆504-37	Valve, gear breather.....	HDMC	1	1	1	1
◆504-39	Screen, scavenger pump.....	HDMC	1	1	1	1
◆543-37	Pipe, relief.....	HDMC	1	1	1	1
◆543-37A	Pipe, chain oiler.....	HDMC	1	1	1	1
◆544-37	Gasket, relief pipe.....	HDMC	1	1	1	8
◆036	Screw, relief fastening.....	HDMC	4	4	4	See "0" list
	#10-32 x 1/2" Fillister head screw					
◆584-37A	Cover, gear.....	HDMC	1	1	1	1
◆585-37	Ring, oil seal.....	HDMC	1	1	1	1
◆585-37A	Spring, seal ring.....	HDMC	1	1	1	1
◆585-37B	Pin, seal ring retaining.....	HDMC	2	2	2	1
◆587-37	Pump, oil feed, complete.....	HDMC	1	1	1	2
◆588-37	Pump, scavenger & brea. valve.....	HDMC	1	1	0	2
◆588-38	Pump, scavenger & brea. valve.....	HDMC	0	0	1	2
◆589-37	Gasket, oil feed pump.....	HDMC	1	1	1	36
◆590-37	Gasket, scavenger pump.....	HDMC	2	2	2	36
◆591-36	Stud, oiler mounting, 1-11/16".....	HDMC	4	4	4	1
◆591-37	Stud, oiler mounting, 1-11/32".....	HDMC	3	3	3	1
◆591-41	Nut, oil mounting stud.....	HDMC	0	1	1	10

Part No.	Name of Part	Unit Mfg.	Number Used On			Used For 100 Units
			40WLA	41WLA	42WLA	

GROUP 4106, 4107 CRANK CASE RELIEF PARTS - GEAR COVERS - OIL PUMPS - GEARS - (Continued)

CRANK CASE RELIEF PARTS, GEAR COVER & OIL PUMPS



◆591-41A	Nut, oil mounting stud (long).....	HDMC	0	1	1	10
◆0108	Nut, oiler mounting stud.....	HDMC	7	7	7	See "O" list
	1/4"-24 U.S.F. x 5/32" x 7/16" hexagon nut					
◆598-37A	Gasket, gear cover.....	HDMC	1	1	1	120
◆056	Screw, gear cover.....	HDMC	11	11	11	See "O" list
	1/4"-24 U.S.F. x 1/8" oval countersunk head screw					
◆604-37A	Gear, pinion.....	HDMC	1	1	1	3
◆610-37	Gear, cam, front inlet.....	HDMC	1	1	1	3
◆611-37	Gear, cam, rear inlet.....	HDMC	1	1	1	3
◆612-37	Gear, cam, front exh.....	HDMC	1	1	1	4
◆613-37	Gear, cam, rear exh.....	HDMC	1	1	1	2
◆619-37	Gear, idling.....	HDMC	1	1	1	2
◆620-30	Bushing, idling gear.....	HDMC	1	1	1	1
◆621-37	Gear, timer drive.....	HDMC	1	1	1	1
◆1654-29	Key, timer drive gear.....	HDMC	1	1	1	9
◆632-37	Gear, generator drive.....	HDMC	1	1	1	5
◆634-32	Pin, generator gear.....	HDMC	1	1	1	16
◆636-30	Stud, idling gear.....	HDMC	1	1	1	1
◆658-15	Ring, gear stud spr.....	HDMC	1	1	1	4
◆660-37	Bushing, gear cover.....	HDMC	1	1	1	1
◆660-37A	Bushing, gear cover.....	HDMC	1	1	1	1
◆660-37B	Bushing, gear cover.....	HDMC	1	1	1	1
◆660-37C	Bushing, gear cover.....	HDMC	1	1	1	1
◆660-37E	Bushing, gear cover.....	HDMC	1	1	1	1
◆661-31	Pin, cover bushing.....	HDMC	1	1	1	2
	1/8" x 1/4" round pin.					
◆661-37A	Bushing, gear shaft.....	HDMC	4	4	4	4
◆664-37	Washer, cam gear shaft.....	HDMC	6	6	6	60
◆678-37	Body, oil feed pump.....	HDMC	1	0	0	1
◆678-41	Body, oil feed pump.....	HDMC	0	1	1	1
◆679-37	Body, oil scav. pump.....	HDMC	1	1	1	1
◆682-37	Cover, oil scav. pump.....	HDMC	1	1	0	1
◆682-38	Cover, oil scav. pump.....	HDMC	0	0	1	1
◆7223-34	Bolt, scavenger cover.....	HDMC	2	2	2	4
◆687-37	Holder, feed pump vane.....	HDMC	1	0	0	1
◆687-41	Holder, feed pump vane.....	HDMC	0	1	1	1
◆687-41A	Valve, feed pump gov.....	HDMC	0	1	1	1

Part No.	Name of Part	Unit Mfg.	Number Used On			Used For 100 Units
			40WLA	41WLA	42WLA	

GROUP 4106, 4107 CRANK CASE RELIEF PARTS - GEAR COVERS - OIL PUMPS - GEARS - (Continued)

♦687-41B	Weight, feed pump gov.....	HDMC	0	1	1	1
♦688-37	Vane, feed pump.....	HDMC	2	2	2	1
♦689-37	Spring, feed pump vane.....	HDMC	1	1	1	1
♦689-37B	Gear, breather valve.....	HDMC	1	1	1	1
♦690-37	Gear, scavenger pump.....	HDMC	1	1	0	1
♦690-38	Gear, scavenger pump.....	HDMC	0	0	1	1
♦691-37	Gear, scavenger pump idle.....	HDMC	1	1	1	1
♦693-36	Key, oil feed gear.....	HDMC	1	1	1	6
♦694-37	Washer, scavenger gear.....	HDMC	2	2	2	3
♦697-37	Shaft, scavenger idle gear.....	HDMC	1	1	1	1
♦701-36	Screw, valve spr. cover.....	HDMC	2	2	2	1
♦703-36	Spring, check valve.....	HDMC	2	2	2	1
♦704-36	Ball, check valve.....	HDMC	3	3	3	3
	3/8" stainless steel.					
♦707-36	Screw, by-pass valve cover.....	HDMC	1	1	1	1
♦711-36	Screw, by-pass valve adj.....	HDMC	1	0	0	1
♦711-41	Screw, by-pass valve adj.....	HDMC	0	1	1	1
♦713-37	Spring, by-pass valve.....	HDMC	1	1	0	5
♦713-41	Spring, oil pump relief.....	HDMC	0	1	1	5
♦715-37	Retainer, by-pass ball.....	HDMC	1	1	1	1
♦672-32	Screw, chain oiler adj.....	HDMC	1	1	1	2
♦674-32	Washer, .002" adj. screw.....	HDMC	5 to 10	5 to 10	5 to 10	60

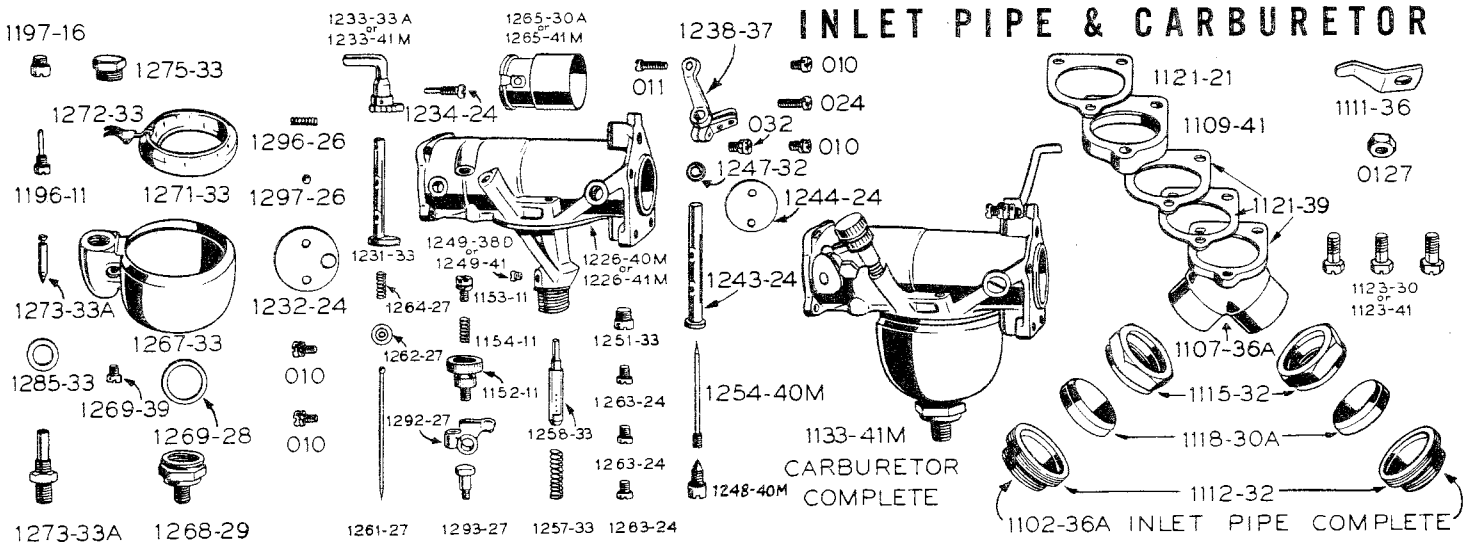
GROUP 4108, 4301 INLET PIPE AND CARBURETOR

♦1102-36A	Pipe, complete inlet.....	HDMC	1	1	1	1
♦1107-36A	Pipe, inlet.....	HDMC	1	1	1	1
♦1109-41	Extension, inlet pipe.....	HDMC	0	1	1	1
♦1111-36	Support, carburetor.....	HDMC	1	1	1	1
♦0127	Nut, carburetor support.....	HDMC	1	1	1	See "0" list
	3/8"-24 U.S.F. x 21/64" x 9/16" hexagon nut					
♦1112-32	Nipple, inlet.....	HDMC	2	2	2	1
♦1115-32	Nut, inlet packing.....	HDMC	2	2	2	1
♦1118-30A	Bushing, inlet pack.....	HDMC	2	2	2	11
♦1121-21	Gasket, inlet pipe.....	HDMC	1	1	1	56
♦1121-39	Gasket, carb. insulating.....	HDMC	3	3	3	84
♦1123-30	Screw, carb. fastening.....	HDMC	3	0	0	19
♦1123-41	Bolt, carb. fastening.....	HDMC	0	3	3	15
1133-41M	Carburetor, complete.....	HDMC	1	1	1	2
1226-40M	Body, carburetor.....	HDMC	1	Early	0	0
1226-41M	Body, carburetor.....	HDMC	0	Later	1	0
♦1231-33	Shaft, air intake.....	HDMC	1	1	1	2
♦010	Screw, air intake shaft.....	HDMC	2	2	2	See "0" list
	#6-32 x 1/4" fillister head screw					
♦1232-24	Disc, air intake.....	HDMC	1	1	1	2
♦1233-33A	Lever, air intake.....	HDMC	1	0	0	2
1233-41M	Lever, air intake.....	HDMC	0	1	1	2
♦1234-24	Screw, air intake lever.....	HDMC	1	1	1	3
♦1238-37	Lever, throttle.....	HDMC	1	1	1	2
♦032	Screw, lever lock.....	HDMC	1	1	1	See "0" list
	#10-24 x 5/8" fillister head screw					
♦024	Screw, throttle stop.....	HDMC	1	1	1	See "0" list
	#8-32 x 3/4" fillister head screw					
♦011	Screw, throttle stop.....	HDMC	1	1	1	See "0" list
	#6-32 x 3/8" fillister head screw					
♦1243-24	Shaft, throttle.....	HDMC	1	1	1	28
♦1244-24	Disc, throttle.....	HDMC	1	1	1	22
♦1245-24	Bushing, throttle shaft.....	HDMC	1	1	1	10
♦1247-32	Spring, throttle shaft.....	HDMC	1	1	1	9
♦010	Screw, throttle disc.....	HDMC	2	2	2	See "0" list
	#6-32 x 1/4" fillister head screw					
1248-40M	Screw, high speed needle valve lock	HDMC	1	1	1	1

Part No.	Name of Part	Unit Mfg.	Number Used On			Used For 100 Units
			40WLA	41WLA	42WLA	

GROUP 4108, 4301 INLET PIPE AND CARBURETOR - (Continued)

♦1249-38D	Jet, fixed No. 4.....	HDMC	1	0	0	1
♦1249-41	Jet, fixed, .052" hole.....	HDMC	0	1	1	1
♦1251-33	Plug, idle passage.....	HDMC	1	1	1	1
♦1252-41	Tube, air bleed.....	HDMC	0	Early 1	0	1
♦1252-41A	Screw, tube holder.....	HDMC	0	Early 1	0	1
♦1254-40M	Valve, high speed needle.....	HDMC	1	1	1	3
♦1257-33	Spring, nozzle retainer.....	HDMC	1	1	1	28
♦1258-33	Nozzle, main.....	HDMC	1	1	1	3
♦1261-27	Valve, low speed needle.....	HDMC	1	1	1	5
♦1262-27	Collar, spring.....	HDMC	1	1	1	2
♦1263-24	Plug, drill.....	HDMC	3	3	3	2
♦1264-27	Spring, needle valve.....	HDMC	1	1	1	2
♦1152-11	Screw, needle valve adj.....	HDMC	1	1	1	2
♦1153-11	Screw, needle valve lock.....	HDMC	1	1	1	1
♦1154-11	Spring, needle valve lock.....	HDMC	1	1	1	1
♦1265-30A	Venturi, 1-1/16".....	HDMC	1	Early 1	0	1
♦1265-41M	Venturi, 15/16".....	HDMC	0	Later 1	1	1
♦1267-24	Bowl, assembly.....	HDMC	1	1	1	2



♦1267-33	Bowl, only.....	HDMC	1	1	1	1
♦1268-29	Nut, bowl lock.....	HDMC	1	1	1	1
♦1269-28	Gasket, bowl lock nut.....	HDMC	1	1	1	20
♦1269-39	Screw, bowl drain.....	HDMC	1	1	1	4
♦1271-33	Float.....	HDMC	1	1	1	14
♦1272-33	Lever, float.....	HDMC	1	1	1	4
♦1273-33A	Valve and seat, float.....	HDMC	1	1	1	6
♦1196-11	Pin, float lever.....	HDMC	1	1	1	5
♦1197-16	Screw, float lever pin.....	HDMC	1	1	1	4
♦1275-33	Cap, bowl.....	HDMC	1	1	1	2
♦1285-33	Washer, inlet nipple.....	HDMC	1	1	1	9
♦1292-27	Lever, needle valve.....	HDMC	1	1	1	2
♦1293-27	Screw, lever.....	HDMC	1	1	1	1
♦1296-26	Spring, friction.....	HDMC	1	1	1	4
♦1297-26	Ball, friction.....	HDMC	1	1	1	5

GROUP 4109

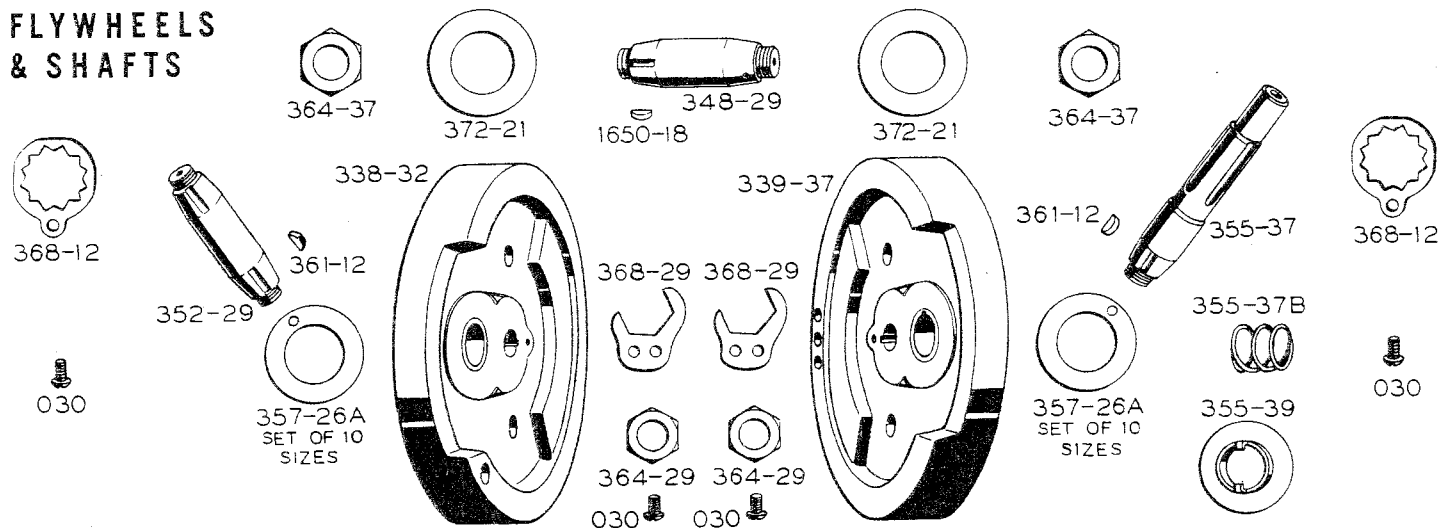
FLYWHEELS - SHAFTS

♦331-37	Flywheel, set.....	HDMC	1	1	1	4
♦338-32	Flywheel, left.....	HDMC	1	1	1	1

Part No.	Name of Part	Unit Mfg.	Number Used On			Used For 100 Units
			40WLA	41WLA	42WLA	

GROUP 4109 FLYWHEELS - SHAFTS - (Continued)

FLYWHEELS & SHAFTS



♦339-37	Flywheel, right.....	HDMC	1	1	1	1
♦348-29	Pin, crank.....	HDMC	1	1	1	60
♦352-29	Shaft, sprocket.....	HDMC	1	1	1	9
♦355-37	Shaft, gear side.....	HDMC	1	1	1	9
♦355-37B	Spring, seal ring.....	HDMC	1	1	1	1
♦355-39	Ring, bearing seal.....	HDMC	1	1	1	3
♦357-26A	Collars, set thrust.....	HDMC	1/10	1/10	1/10	2

Note:- Individual sizes can be supplied as follows:

357-26B	.066"	357-26G	.086"	All of these sizes priced at .25¢ ea.
357-26C	.070"	357-26H	.090"	
357-26D	.074"	357-26JA	.094"	
357-26E	.078"	357-26KA	.098"	
357-26F	.082"	357-26LA	.102"	

Suggested that these collars be purchased in sets per part No. 357-26A

♦361-12	Key, spkt. and gear shaft.....	HDMC	2	2	2	64
♦1650-18	Key, crank pin.....	HDMC	1	1	1	10
	#3-1/2" x 1/8" Woodruff.					
♦364-29	Nut, spkt. and gear shaft.....	HDMC	2	2	2	5
♦364-37	Nut, crank pin.....	HDMC	2	2	2	5
♦368-12	Washer, shaft nut lock.....	HDMC	2	2	2	5
♦368-29	Washer, shaft nut lock.....	HDMC	2	2	2	6
♦030	Screw, lock washer.....	HDMC	4	4	4	See "0" list
	#10-24 x 3/8" Fill. head screw					
♦372-21	Washer, flywheel.....	HDMC	2	2	2	15

GROUP 4111

CRANK CASE - FITTINGS

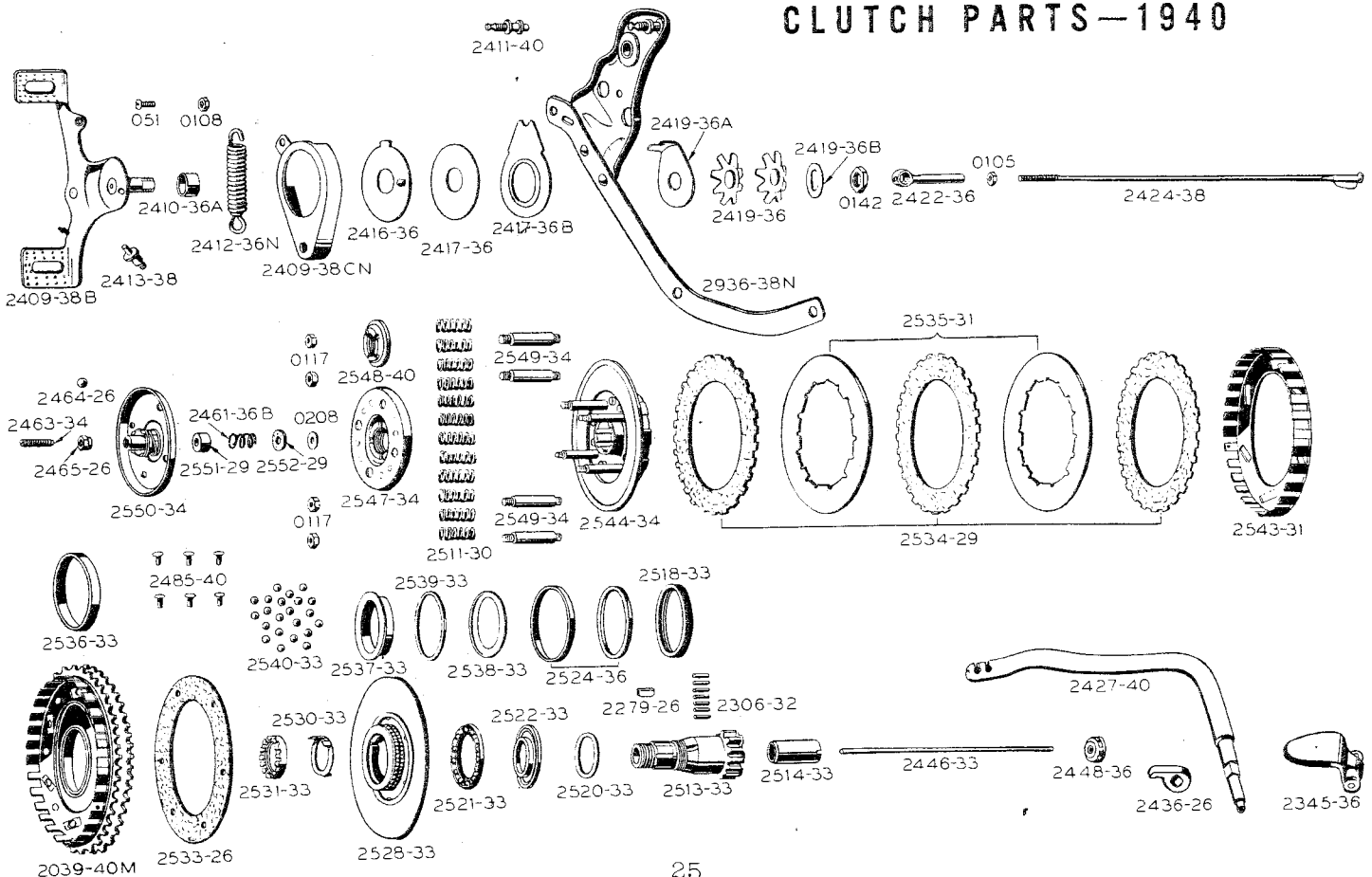
♦403-37	Crankcase, set.....	HDMC	1	1	1	1
♦406-37A	Crankcase, left.....	HDMC	1	1	1	1
♦410-37A	Crankcase, right.....	HDMC	1	1	1	1
♦411-37	Strainer, crankcase oil.....	HDMC	1	1	1	1
♦411-37A	Pin, strainer retainer.....	HDMC	1	1	1	1
	#1/8" x 1-3/4" round pin.					
♦413-39A	Bushing, right roller brg.....	HDMC	1	1	1	10
♦414-37	Bearing, gear side STD.....	HDMC	1	1	1	2
♦414-37D	Bearing, gear side .0002" O.S.....	HDMC	1	1	1	1
♦414-37F	Bearing, gear side .0004" O.S.....	HDMC	1	1	1	1
♦414-37H	Bearing, gear side .0006" O.S.....	HDMC	1	1	1	1
♦414-37KA	Bearing, gear side .0008" O.S.....	HDMC	1	1	1	1

Part No.	Name of Part	Unit Mfg.	Number Used On			Used For 100 Units
			40WLA	41WLA	42WLA	

GROUP 4200 CLUTCH AND CLUTCH PARTS - (Continued)

2409-38CN	Cover, foot lever brg.....	HDMC	1	1	1	2
♦051	Bolt, cover fastening.....	HDMC	1	1	1	See "0" list
	1/4"-24 U.S.F. x 1/2" round head screw					
♦0108	Nut, cover fastening bolt.....	HDMC	1	1	1	See "0" list
	1/4"-24 U.S.F. x 5/32" x 7/16" hexagon nut					
♦2410-36A	Bushing, lever bracket.....	HDMC	1	1	1	2
♦2411-40	Stud, bracket spring.....	HDMC	1	1	1	4
2412-36N	Spring, foot clutch lever.....	HDMC	1	1	1	50
♦2413-38	Stud, clutch rod.....	HDMC	1	1	1	4
♦2416-36	Disc, steel friction.....	HDMC	1	1	1	5
♦2417-36	Disc, friction, moulded.....	HDMC	1	1	1	10
♦2417-36B	Disc, bracket friction.....	HDMC	1	1	1	1
♦2419-36	Washer, curved friction.....	HDMC	2	2	2	5
♦2419-36A	Washer, flat friction.....	HDMC	1	1	1	2
♦2419-36B	Washer, fric. stud lock.....	HDMC	1	1	1	4
♦0142	Nut, friction stud.....	HDMC	1	1	1	See "0" list
	5/8"-24 U.S.F. x 7/32" x 7/8" hexagon nut					
♦2422-36	End, clutch lever rod.....	HDMC	1	1	1	5
♦2424-38	Rod, clutch lever.....	HDMC	1	0	0	4
♦0105	Nut, clutch lever rod.....	HDMC	1	0	0	See "0" list
	#10-32 x 1/8" x 5/16" hexagon brass nut.					
♦2424-41	Cable, clutch release.....	HDMC	0	1	1	4
♦2425-41	Washer, clutch cable.....	HDMC	0	2	2	4
♦066	Bolt, cable bracket.....	HDMC	0	2	2	See "0" list
	5/16"-24 U.S.F. x 1" x 1/2" hexagon head bolt					
♦0117	Nut, cable bracket bolt.....	HDMC	0	2	2	See "0" list
	5/16"-24 U.S.F. x 17/64" x 1/2" hexagon nut					
♦2427-40	Lever, clutch release.....	HDMC	1	0	0	2
♦2426-41	Lever, clutch release.....	HDMC	0	1	1	2

CLUTCH PARTS—1940



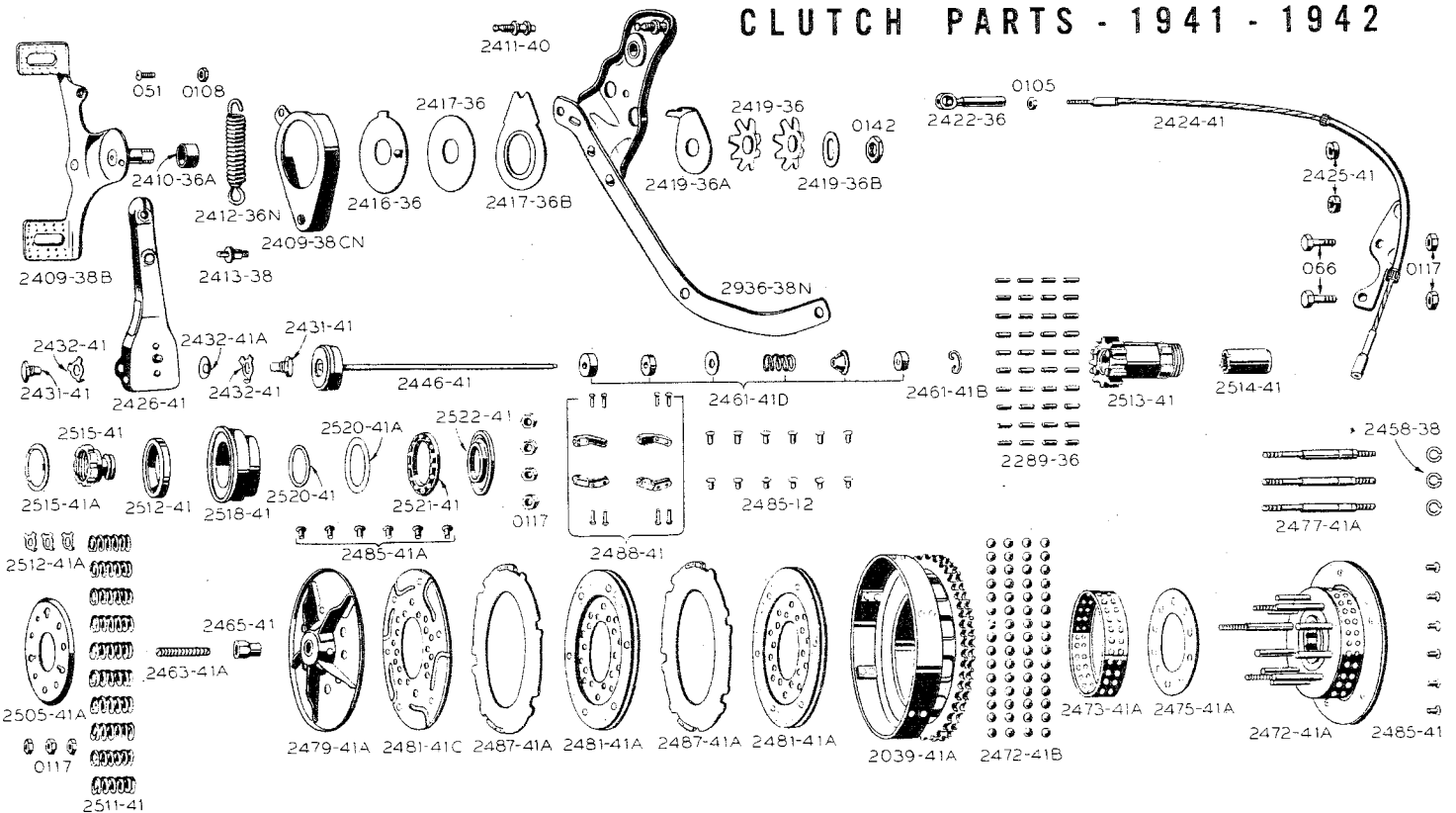
GROUP 4200

Part No.	Name of Part	Unit Mfg.	Number Used On			Used For 100 Units
			40WLA	41WLA	42WLA	

GROUP 4200 CLUTCH AND CLUTCH PARTS - (Continued)

♦2431-41	Screw, clutch release.....	HDMC	0	2	2	4
♦2432-41	Washer, release lock.....	HDMC	0	2	2	4
♦2432-41A	Washer, release spring.....	HDMC	0	1	1	4
♦2436-26	Finger, release lever.....	HDMC	1	0	0	13
♦2446-33	Rod, clutch push.....	HDMC	1	0	0	31
♦2446-41	Rod, clutch push.....	HDMC	0	1	1	40
♦2448-36	Bearing, push rod.....	HDMC	1	0	0	40
♦2345-36	Guard, bearing.....	HDMC	1	0	0	2
♦2458-38	Ring, retainer spring.....	HDMC	0	3	3	3
♦2461-36B	Spring, push rod.....	HDMC	1	0	0	11
♦2459-41A	Spring, push rod.....	HDMC	0	1	0	11
♦3563-12	Cup, push rod leather.....	HDMC	0	1	0	22
♦0208	Washer, push rod spring.....	HDMC	1	0	0	See "0" list
♦2461-41	Cup, push rod spring.....	HDMC	0	1	0	11
♦2461-41A	Guide, push rod.....	HDMC	0	1	0	9
♦2461-41B	Ring, push rod.....	HDMC	0	1	1	11
♦2461-41D	Fittings, oil seal set.....	HDMC	0	1	1	9
♦2463-34	Screw, push rod adj.....	HDMC	1	0	0	46
♦2463-41A	Screw, push rod adj.....	HDMC	0	1	1	46
♦2464-26	Ball, push rod.....	HDMC	1	0	0	15
	7/16" steel ball					
♦2465-26	Nut, push rod adj. screw.....	HDMC	1	0	0	9
♦2465-41	Nut, push rod adj. screw.....	HDMC	0	1	1	11
♦2279-26	Key, clutch.....	HDMC	1	1	1	124
♦2512-41	Seal, clutch gear oil.....	HDMC	0	1	1	6
♦2513-33	Gear, clutch.....	HDMC	1	0	0	16
♦2513-41	Gear, clutch.....	HDMC	0	1	1	6
♦2514-33	Bushing, clutch gear.....	HDMC	1	0	0	3
♦2514-41	Bushing, clutch gear.....	HDMC	0	1	1	3
♦2515-41	Nut, clutch gear.....	HDMC	0	1	1	3
♦2515-41A	Washer, clutch nut lock.....	HDMC	0	1	1	5
♦2518-33	Race, outer roller.....	HDMC	1	0	0	2

CLUTCH PARTS - 1941 - 1942

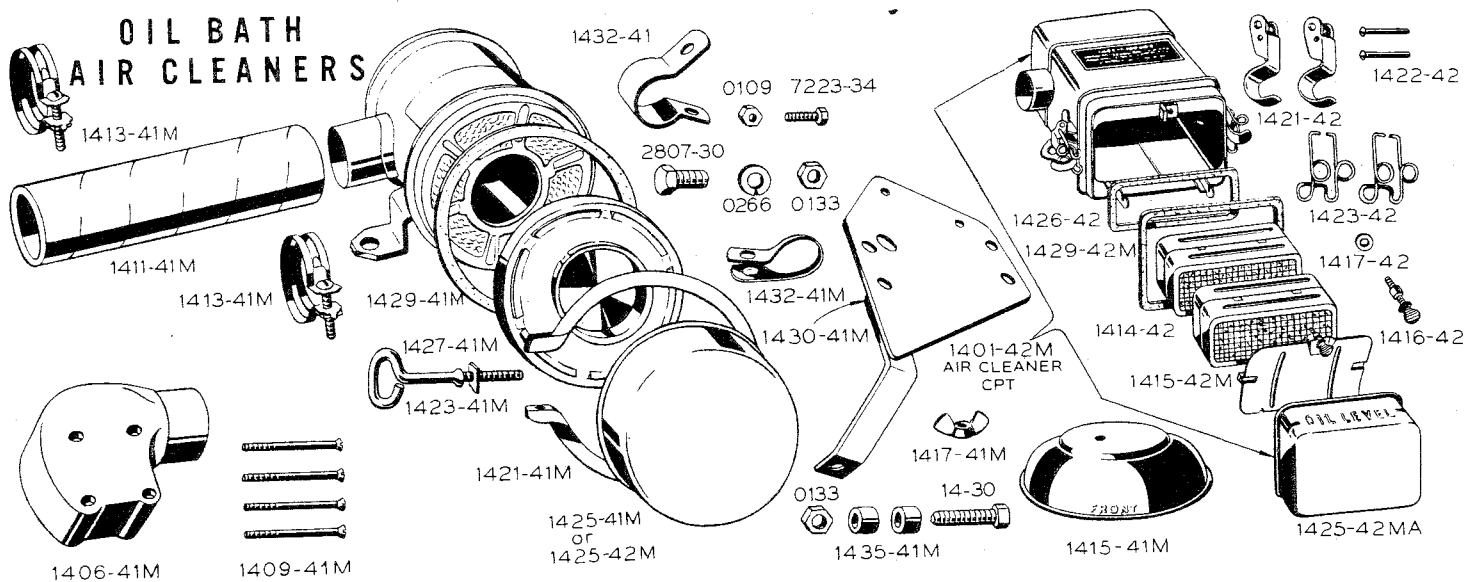


Part No.	Name of Part	Unit Mfg.	Number Used On			Used For 100 Units
			40WLA	41WLA	42WLA	
GROUP 4200 CLUTCH AND CLUTCH PARTS - (Continued)						
♦2518-41	Race, outer left brg.....	HDMC	0	1	1	2
♦2289-36	Roller, left bearing (.125" x .615")	HDMC	0	40	40	80
♦2306-32	Roller, bearing (.152" x 5/8").....	HDMC	40	40	40	200
♦2520-33	Washer, bearing thrust.....	HDMC	1	0	0	1
♦2520-41	Washer, bearing thrust.....	HDMC	0	1	1	1
♦2520-41A	Washer, left retainer.....	HDMC	0	1	1	1
♦2521-33	Retainer, cpt. thrust.....	HDMC	1	0	0	4
♦2521-41	Retainer, cpt. thrust.....	HDMC	0	1	1	4
♦2522-33	Race, thrust.....	HDMC	1	0	0	2
♦2522-41	Race, thrust.....	HDMC	0	1	1	2
♦2524-36	Washer, set oil.....	HDMC	1	0	0	20
♦2528-33	Disc, inner clutch.....	HDMC	1	0	0	2
♦2530-33	Washer, inner disc lock.....	HDMC	1	0	0	8
♦2531-33	Nut, inner disc.....	HDMC	1	0	0	1
♦2484-29	Linings and rivets, set.....	HDMC	1	0	0	0
♦2533-26	Disc, sprocket fibre (6-9/32").....	HDMC	1	0	0	20
♦2485-40	Rivet, sprocket disc.....	HDMC	6	0	0	140
♦2535-31	Disc, steel friction.....	HDMC	2	0	0	8
♦2534-29	Disc, outer notched.....	HDMC	3	0	0	104
2039-40M	Sprocket, clutch.....	HDMC	1	0	0	2
♦2536-33	Race, outer sprocket.....	HDMC	1	0	0	1
♦2537-33	Race, drive disc inner.....	HDMC	1	0	0	1
♦2538-33	Washer, bearing.....	HDMC	1	0	0	1
♦2539-33	Washer, bearing spacer.....	HDMC	1	0	0	1
♦2540-33	Ball, clutch bearing.....	HDMC	96	96	0	160
	5/32" steel ball					
♦2543-31	Ring, clutch key.....	HDMC	1	0	1	1
♦2544-34	Disc, outer drive.....	HDMC	1	0	1	2
♦2511-30	Spring, clutch.....	HDMC	12	0	0	100
♦2547-34	Collar, spr. compressing.....	HDMC	1	0	1	1
♦2548-40	Nut, clutch spring adj.....	HDMC	1	0	0	5
♦2549-34	Stud, spring guide.....	HDMC	4	0	4	2
♦0117	Nut, clutch spring stud.....	HDMC	4	4	4	See "0" list
	5/16"-24 U.S.F. x 17/64" x 1/2" hexagon nut					
♦2550-34	Cap, clutch thrust.....	HDMC	1	0	1	7
♦2551-29	Washer, push rod (steel).....	HDMC	1	0	0	3
♦2552-29	Washer, push rod (cork).....	HDMC	2	0	0	24
♦2039-41A	Sprocket, complete.....	HDMC	0	1	1	2
♦2472-41A	Hub, assembly.....	HDMC	0	1	1	3
♦2472-41B	Ball, hub bearing.....	HDMC	0	60	60	100
	7/32" steel ball					
♦2473-41A	Retainer, ball bearing.....	HDMC	0	1	1	4
♦2475-41A	Plate, hub bearing.....	HDMC	0	1	1	2
♦2477-41A	Stud, inner drive hub.....	HDMC	0	3	3	16
♦2478-41A	Pin, inner drive hub.....	HDMC	0	7	7	12
♦2479-41A	Disc, clutch releasing.....	HDMC	0	1	1	2
♦2481-41A	Disc, clutch friction.....	HDMC	0	2	2	40
♦2481-41C	Disc, outer sprung.....	HDMC	0	1	1	20
♦2484-41A	Linings and rivets, set.....	HDMC	0	1	1	0
♦2485-12	Rivet, center disc.....	HDMC	0	12	12	110
♦2485-41	Rivet, hub lining.....	HDMC	0	6	6	64
♦2485-41A	Rivet, spring disc.....	HDMC	0	6	6	64
♦2487-41A	Disc, steel, center.....	HDMC	0	2	2	16
♦2488-41	Buffers, inner disc.....	HDMC	0	2	2	2
♦2505-41A	Plate, clutch pressure.....	HDMC	0	1	1	2
♦2511-41	Spring, clutch.....	HDMC	0	10	10	112
♦0117	Nut, spring stud.....	HDMC	4	4	4	See "0" list
	5/16"-24 U.S.F. x 17/64" x 1/2" hexagon nut					
♦2512-41A	Washer, spring stud lock.....	HDMC	0	3	3	48
GROUP 4301 OIL BATH AIR CLEANER						
1401-42M	Cleaner, oil bath air.....	OAKES PROD. DIV. 613275	1	1	1	4
1406-41M	Connection, carburetor.....	HDMC	1	1	1	2

GROUP 4301

Part No.	Name of Part	Unit Mfg.	Number Used On			Used For 100 Units
			40WLA	41WLA	42WLA	

GROUP 4301 OIL BATH AIR CLEANER - (Continued)



1409-41M	Screw, connection.....	HDMC	4	4	4	9
1411-41M	Hose, connection.....	OAKES PROD. DIV. 611189	1	1	1	4
1413-41M	Clamp, hose.....	OAKES PROD. DIV. 611702	2	2	2	6
◆2807-30	Bolt, cleaner mounting.....	HDMC	2	2	2	23
◆0133	Nut, mounting bolt.....	HDMC	2	2	2	See "O" list
1430-41M	Plate, mounting.....	OAKES PROD. DIV. 611186	1	1	1	2
1432-41	Clamp, plate to frame.....	HDMC	0	0	1	2
1432-41M	Clamp, plate to frame.....	HDMC	1	1	1	2
◆7223-34	Bolt, frame clamp.....	HDMC	1	1	1	4
◆0109	Nut, frame bolt.....	HDMC	1	1	1	See "O" list
◆14-30	Bolt, rear upper.....	HDMC	1	1	1	5
◆0133	Nut, rear upper bolt.....	HDMC	1	1	1	See "O" list
1435-41M	Spacer, rear upper bolt.....	HDMC	2	2	2	4

GROUP 4301 PARTS FOR ROUND AIR CLEANER

1415-41M	Cover, air cleaner.....	OAKES PROD. DIV. 611734	1	1	0	3
1417-41M	Nut, cover wing.....	OAKES PROD. DIV. 611704	1	1	0	5
1421-41M	Clamp, bottom pan.....	OAKES PROD. DIV. 610622	1	1	1	4
1423-41M	Screw, bottom pan clamp.....	OAKES PROD. DIV. 611793	1	1	1	4
1425-41M	Cup, oil.....	OAKES PROD. DIV. 611004	1	1	0	4
1425-42M	Cup, oil.....	OAKES PROD. DIV. 612395	0	0	1	4
1427-41M	Plate, baffle.....	OAKES PROD. DIV. 611718	1	1	1	2
1429-41M	Gasket, for joint.....	OAKES PROD. DIV. 611198	1	1	1	9

GROUP 4301 PARTS FOR RECTANGULAR AIR CLEANER

1414-42	Strainer, air cleaner.....	OAKES PROD. DIV. 613346	0	0	2	4
1415-42M	Plate, baffle.....	OAKES PROD. DIV. 613348	0	0	1	2
1416-42	Screw, baffle plate.....	OAKES PROD. DIV. 613318	0	0	1	4
1417-42	Washer, baffle plate screw.....	OAKES PROD. DIV. 613336	0	0	1	4
1421-42	Latch, oil cup.....	OAKES PROD. DIV. 613379	0	0	2	2
1422-42	Rivet, oil cup latch.....	OAKES PROD. DIV. 613381	0	0	2	2
1423-42	Clip, latch spring.....	OAKES PROD. DIV. 613380	0	0	2	2
1425-42MA	Cup, oil.....	OAKES PROD. DIV. 613279	0	0	1	4
1426-42	Gasket, air cleaner.....	OAKES PROD. DIV. 613338	0	0	1	6
1429-42M	Gasket, oil cup.....	OAKES PROD. DIV. 613339	0	0	1	6

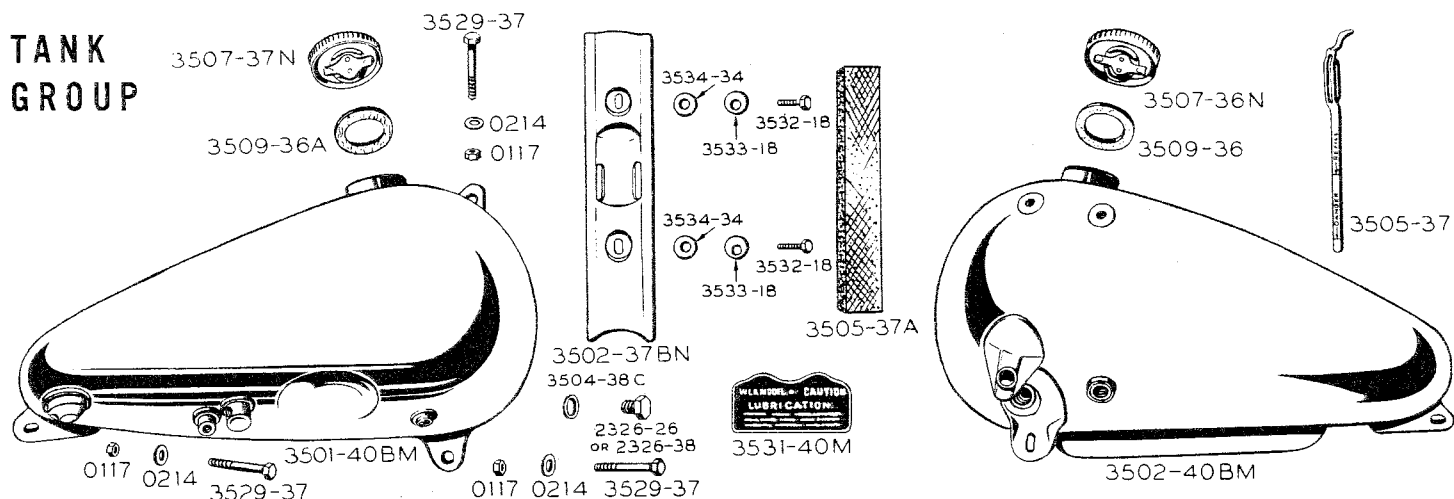
Part No.	Name of Part	Unit Mfg.	Number Used On			Used For 100 Units
			40WLA	41WLA	42WLA	

GROUP 4304

TANK GROUP

3501-40BM	Tank, right, oil.....	HDMC	1	1	1	2
3502-40BM	Tank, left, gas.....	HDMC	1	1	1	2
3502-37BN	Strip, tank top.....	HDMC	1	1	1	0
♦3505-37	Rod, oil tank gauge.....	HDMC	1	1	1	4
♦2326-26	Plug, oil tank drain.....	HDMC	1	0	0	5
♦2326-38	Plug, oil tank drain.....	HDMC	0	1	1	9
♦3504-38C	Gasket, drain plug.....	HDMC	1	1	1	9
♦3505-37A	Buffer, tank.....	HDMC	1	1	1	20
3507-36N	Cap, gas tank.....	HDMC	1	1	1	42
3507-37N	Cap, oil tank.....	HDMC	1	1	1	24
♦3509-36	Washer, tank cap (cork).....	HDMC	1	1	1	27

TANK GROUP



♦3509-36A	Washer, tank cap (leather).....	HDMC	1	1	1	27
♦3529-37	Bolt, tank mounting.....	HDMC	3	3	3	12
♦0214	Washer, for mounting bolt.....	HDMC	3	3	3	See "0" List
♦0117	Nut, tank mounting bolt.....	HDMC	3	3	3	See "0" List
♦3532-18	Screw, tank top.....	HDMC	2	2	2	121
♦3532-18S	Screw, tank, top (oversize).....	HDMC	2	2	2	12
♦3533-18	Washer, spring, screw.....	HDMC	2	2	2	30
♦3534-34	Washer, paper, screw.....	HDMC	2	2	2	4
3531-40M	Plate, caution.....	HDMC	1	1	1	2

GROUP 4304

OIL PIPES AND GAS PIPES

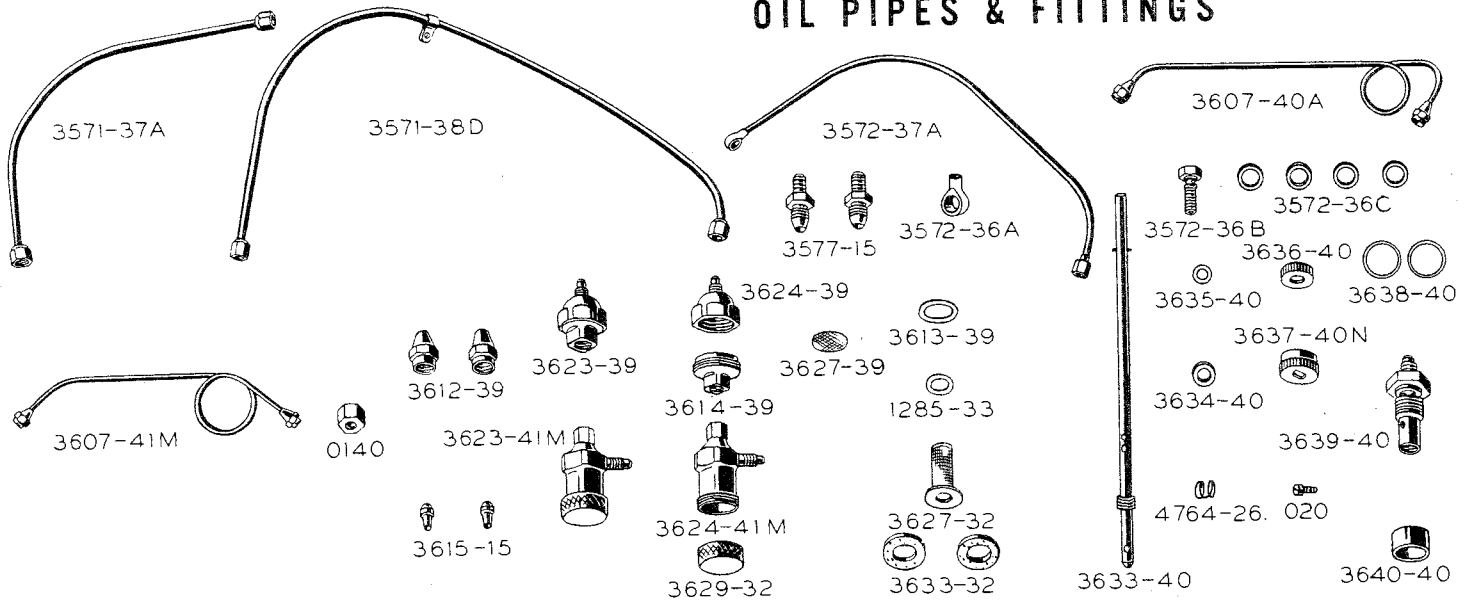
♦3571-37A	Pipe, oil pump feed.....	HDMC	1	1	1	11
♦3571-38D	Pipe, oil pump return.....	HDMC	1	1	1	8
♦3572-37A	Pipe, oil tank vent.....	HDMC	1	1	1	4
♦3577-15	Nipple, oil pump pipe.....	HDMC	2	2	2	3
♦3572-36A	Nipple, for 3572-37A.....	HDMC	1	1	1	2
♦3572-36B	Bolt, vent pipe nipple.....	HDMC	1	1	1	3
♦3572-36C	Washer, nipple bolt.....	HDMC	4	4	4	25
♦3607-40A	Pipe, gas feed.....	HDMC	1	0	0	9
3607-41M	Pipe, gas feed.....	HDMC	0	1	1	9
♦0140	Nut, gas pipe.....	HDMC	1	1	1	See "0" List
♦3612-39	Nut, gas pipe.....	HDMC	2	2	2	5
♦3615-15	Nipple, gas pipe.....	HDMC	2	2	2	6
♦3623-39	Strainer, gas.....	HDMC	1	0	0	5
3623-41M	Strainer, gas.....	HDMC	0	1	1	5
♦3624-39	Base, gas strainer.....	HDMC	1	0	0	2
3624-41M	Base, gas strainer.....	HDMC	0	1	1	2

Part No.	Name of Part	Unit Mfg.	Number Used On			Used For 100 Units
			40WLA	41WLA	42WLA	

GROUP 4304

OIL PIPES AND GAS PIPES

OIL PIPES & FITTINGS



♦3627-32	Screen, gas strainer.....	HDMC	0	1	1	4
♦3627-39	Screen, gas strainer.....	HDMC	1	0	0	4
♦3613-39	Washer, sealing.....	HDMC	1	0	0	20
♦3629-32	Cap, gas strainer.....	HDMC	0	1	1	3
♦3614-39	Cap, gas strainer.....	HDMC	1	0	0	2
♦3633-32	Washer, gas strainer.....	HDMC	0	2	2	36
♦1285-33	Washer, gas strainer.....	HDMC	1	0	0	12
♦3633-40	Rod, gas valve adj.....	HDMC	1	1	1	2
♦3634-40	Seal, upper gas valve.....	HDMC	1	1	1	4
♦3635-40	Washer, adj. rod.....	HDMC	1	1	1	4
♦4764-26	Spring, adj. rod.....	HDMC	1	1	1	4
♦3636-40	Cap, upper valve seat.....	HDMC	1	1	1	2
3637-40N	Knob, adj. rod.....	HDMC	1	1	1	2
♦020	Screw, adj. rod knob.....	HDMC	1	1	1	See "0" List
	#8-32 x 1/4" fillister head screw					
♦3638-40	Washer, gas valve, nipple.....	HDMC	2	2	2	4
♦3639-40	Nipple, gas valve.....	HDMC	1	1	1	2
♦3640-40	Spacer, gas valve.....	HDMC	1	1	1	1

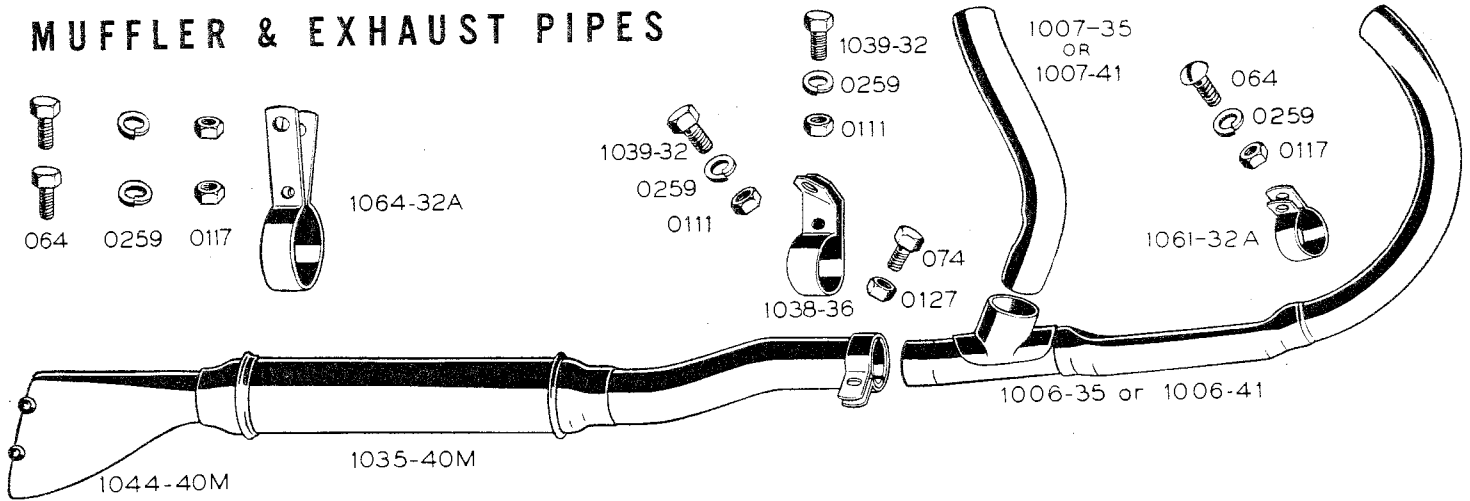
GROUP 4401, 4402 MUFFLER - EXHAUST PIPES

1002-40M	Muffler, complete.....	HDMC	1	1	1	2
♦1006-35	Pipe, front exhaust.....	HDMC	1	0	0	46
♦1006-41	Pipe, front exhaust.....	HDMC	0	1	1	46
♦1007-35	Pipe, rear exhaust.....	HDMC	1	0	0	28
♦1007-41	Pipe, rear exhaust.....	HDMC	0	1	1	28
♦074	Bolt, center clamp.....	HDMC	1	1	1	See "0" List
	3/8"-24 U.S.F. x 3/4" x 9/16" hexagon head bolt					
♦0127	Nut, center clamp bolt.....	HDMC	1	1	1	See "0" list
	3/8"-24 U.S.F. x 21/64" x 9/16" hexagon nut					
1035-40M	End, rear muffler.....	HDMC	1	1	1	10
♦1038-36	Bracket, rear end, front.....	HDMC	1	1	1	9
♦1039-32	Bolt, front bracket.....	HDMC	1	1	2	3
	5/16"-18 x 3/4" round head bolt.					
♦0111	Nut, bracket bolt.....	HDMC	1	1	1	See "0" list
	5/16-18 U.S.S x 1/4" x 1/2" hexagon nut					
1044-40M	Outlet, rear muffler.....	HDMC	1	1	1	4
♦1061-32A	Clamp, exhaust pipe.....	HDMC	1	1	1	16

Part No.	Name of Part	Unit Mfg.	Number Used On			Used For 100 Units
			40WLA	41WLA	42WLA	

GROUP 4401, 4402 MUFFLER - EXHAUST PIPES--(Continued)

MUFFLER & EXHAUST PIPES



1002-40M MUFFLER COMPLETE

◆064	Bolt, clamp.....	HDMC	1	1	1	See "O" list
	5/16"-24 U.S.F. x 3/4" x 1/2" hexagon head bolt					
◆0117	Nut, bolt.....	HDMC	1	1	1	See "O" list
	5/16"-24 U.S.F. x 17/64" x 1/2" hexagon nut					
◆1064-32A	Clamp, rear hanger.....	HDMC	1	1	1	16
◆064	Bolt, rear hanger.....	HDMC	2	2	2	See "O" list
	5/16"-24 U.S.F. x 3/4 x 1/2" hexagon head bolt					
◆0117	Nut, rear hanger bolt.....	HDMC	2	2	2	See "O" list
	5/16"-24 U.S.F. x 17/64" x 1/2" hexagon nut					

GROUP 4600 GENERATOR, FRAME AND FIELDS

◆1501-30	Generator, complete.....	HDMC	1	1	1	2
◆1504-32	Frame.....	HDMC	1	1	1	1
◆1505-32	End, frame.....	HDMC	1	1	1	2
◆1506-32	Screw, frame.....	HDMC	2	2	2	11
◆1507-32	Coil, shunt field.....	HDMC	1	1	1	1
◆1508-32	Coil, regulating field.....	HDMC	1	1	1	1
◆1663-32A	Insulation, field coil terminal.....	HDMC	2	2	2	2
◆1511-30	Piece, pole.....	HDMC	2	2	2	0
◆1512-18	Screw, pole piece.....	HDMC	4	4	4	2
◆1520-24	Terminal, lead.....	HDMC	2	2	2	46
◆1523-32	Screw, generator fastening.....	HDMC	2	2	2	40
◆1527-30	Gasket, generator.....	HDMC	1	1	1	140
◆1528-30	Strap, generator.....	HDMC	1	1	1	1
◆1529-30	Washer, generator strap.....	HDMC	1	1	1	3
◆0117	Nut, generator strap.....	HDMC	1	1	1	See "O" list
	5/16"-24 U.S.F. x 17/64" x 1/2" hexagon nut					
◆058	Screw, generator strap.....	HDMC	1	1	1	See "O" list
	5/16"-18 U.S.S. x 13/16" flat head screw					

GROUP 4600 CIRCUIT BREAKER (TIMER) AND WIRING

◆1540-37	Shaft, timer cpt.....	HDMC	1	1	1	1
◆1540-37A	Housing, timer shaft.....	HDMC	1	1	1	1
◆1541-37	Gasket, timer base.....	HDMC	1	1	1	18
◆1542-36	Bushing, timer housing.....	HDMC	2	2	2	1
◆1546-37	Shaft, timer drive.....	HDMC	1	1	1	1
◆0214	Washer, timer shaft.....	HDMC	1	1	1	See "O" list
	5/16" x 5/8" x 1/16" plain steel washer					
◆1547-36	Gear, timer shaft.....	HDMC	1	1	1	1

Part No.	Name of Part	Unit Mfg.	Number Used On			Used For 100 Units
			40WLA	41WLA	42WLA	

GROUP 4600 CIRCUIT BREAKER (TIMER) AND WIRING - (Continued)

♦1568-36	Retainer, breaker cover.....	HDMC	1	1	1	8
♦1568-36A	Retainer, breaker plate.....	HDMC	1	1	1	4
♦1569-30A	Points, set breaker.....	HDMC	1	1	1	150
♦1570-30	Washer, contact plate.....	HDMC	1	1	1	2
♦018	Screw, contact plate..... #8-32 x 1/4" round head screw	HDMC	2	2	2	See "0" list
♦1574-30	Spring, breaker lever.....	HDMC	1	1	1	13
♦1596-30	Cable, spark plug - long.....	HDMC	1	1	1	28
♦1597-30	Cable, spark plug - short.....	HDMC	1	1	1	28
♦1598-27	Terminal, spark plug.....	HDMC	2	2	2	19
♦1599-27	Washer, cable packing.....	HDMC	2	2	2	16
♦1602-37	Bracket, spark plug cable.....	HDMC	1	1	1	1
♦1613-30	Wire, circuit breaker.....	HDMC	1	1	1	70
♦1614-18	Terminal, low tension.....	HDMC	1	1	1	151
♦1615-36A	Insulator, stud.....	HDMC	1	1	1	2
♦0103	Nut, low tension stud..... #8-32 x 1/8" x 5/16" hexagon nut	HDMC	1	1	1	See "0" list
♦1618-30	Washer, stud-fibre.....	HDMC	1	1	1	4
♦1619-30	Washer, stud-brass.....	HDMC	1	1	1	2
♦1627-36	Strap, timer operating.....	HDMC	1	1	1	2
♦1627-37A	Bracket, timer control.....	HDMC	1	1	1	1
♦1629-30	Condenser.....	HDMC	1	1	1	85
♦020	Screw, condenser..... #8-32 x 1/4" fillister head screw	HDMC	1	1	1	See "0" list
♦1630-36	Strap, timer lever.....	HDMC	1	1	1	2
♦1631-36	End, lever and strap.....	HDMC	1	1	1	2
♦1632-36	Screw, strap end.....	HDMC	1	1	1	4
♦1633-36	Pin, strap.....	HDMC	2	2	2	2
♦1634-36	Stud, timer lever.....	HDMC	1	1	1	1

GROUP 4600 ARMATURE GROUP

♦1636-32	Armature, with winding.....	HDMC	1	1	1	8
♦1639-18	Shim, armature spacing (.020").....	HDMC	1	1	1	6
♦1641-30A	Retainer, oil inner.....	HDMC	1	1	1	1
♦1641-33	Retainer, oil outer.....	HDMC	1	1	1	1
♦037	Screw, oil retainer..... #10-32 x 5/8" fillister head screw	HDMC	3	3	3	See "0" list
♦1642-29	Washer, armature bakelite.....	HDMC	1	1	1	12
♦1642-30	Gasket, bearing housing.....	HDMC	1	1	1	7
♦1643-29	Washer, armature steel (.025").....	HDMC	3	3	3	12
♦1643-30	Washer, small (.072").....	HDMC	1	1	1	7
♦1644-18	Bearing, armature, small.....	T-201 Torrington	1	1	1	9
♦1644-30	Bearing, armature, large.....	T-202 Torrington	1	1	1	12
♦1646-31	Deflector, drive end oil.....	HDMC	1	1	1	5
♦1647-29A	Ring, bearing plate spring.....	HDMC	1	1	1	2
♦1647-32	Housing, drive end bearing.....	HDMC	1	1	1	1
♦1647-31A	Rivet, drive end bearing housing.....	HDMC	4	4	4	6
♦1647-31B	Spring, drive end.....	HDMC	1	1	1	3
♦1647-31C	Washer, drive end felt.....	HDMC	1	1	1	17
♦1647-31D	Ring, drive end spring.....	HDMC	1	1	1	2
♦1647-31E	Plate, drive end felt washer.....	HDMC	1	1	1	2
♦0129	Nut, armature shaft..... 3/8"-24 U.S.F. x 1/4 x 9/16" hex. nut	HDMC	1	1	1	See "0" list

GROUP 4600 BRUSH PLATE GROUP

♦1661-32	Holder, main brush.....	HDMC	2	2	2	2
♦1662-32	Holder, third brush.....	HDMC	1	1	1	2
♦1663-32	Insulation, positive brush holder...	HDMC	1	1	1	3
♦1663-32A	Insulation, field coil terminal.....	HDMC	2	2	2	4
♦1664-32	Screw, positive terminal.....	HDMC	2	2	2	3

GROUPS 4600, 4605

Part No.	Name of Part	Unit Mfg.	Number Used On			Used For 100 Units
			40WLA	41WLA	42WLA	

GROUP 4600 BRUSH PLATE GROUP - (Continued)

♦0105	Nut, terminal screw..... #10-32 x 1/8 x 5/16" hexagon brass nut	HDMC	4	4	4	See "0" list
♦1665-32	Bushing, terminal screw.....	HDMC	2	2	2	8
♦1666-32	Washer, terminal insulating.....	HDMC	2	2	2	8
♦036	Screw, brush plate..... #10-32 x 1/2" fillister head screw	HDMC	2	2	2	See "0" list
♦1667-32	Nut, negative brush holder screw.....	HDMC	2	2	2	2
♦1669-32A	Brushes, set.....	HDMC	1	1	1	130
♦1671-26	Brush, small.....	HDMC	1	1	1	2
♦1674-26	Spring, small brush.....	HDMC	1	1	1	1
♦1674-32	Spring, large brush.....	HDMC	2	2	2	1
♦010	Screw, brush wire..... #6-32 x 1/4" fillister head screw	HDMC	4	4	4	See "0" list
♦1696-32	Cover, commutator.....	HDMC	1	1	1	6
♦1697-30	Gasket, commutator cover.....	HDMC	1	1	1	4
♦037	Screw, commutator cover..... #10-32 x 5/8" fillister head screw	HDMC	2	2	2	See "0" list

GROUP 4600 SPARK COIL GROUP

1722-30N	Coil, spark.....	HDMC	1	1	1	10
♦1723-29	Bolt, spark coil (U).....	HDMC	2	2	2	1
♦1724-29	Strap, U bolt.....	HDMC	2	2	2	1
♦0107	Nut, U bolt..... 1/4"-20 U.S.S. x 1/4" x 1/2" hex. nut	HDMC	4	4	4	See "0" list
♦1725-30	Screw, coil mtg. plate.....	HDMC	4	4	4	1
♦1728-30	Plate, coil mounting.....	HDMC	1	1	1	2
♦021	Screw, coil terminal..... #8-32 x 3/8" fillister head screw.	HDMC	2	2	2	See "0" list

GROUP 4600 HANDLEBAR SWITCHES

4760-26N	Switch, horn.....	HDMC	1	1	1	13
4760-29N	Switch, headlight.....	HDMC	1	1	1	12
♦020	Screw, switch mounting..... #8-32 x 1/4" fillister head screw	HDMC	4	4	4	See "0" list
♦4762-26	Button, horn switch.....	HDMC	1	1	1	4
♦4764-26	Spring, horn button.....	HDMC	1	1	1	4
♦4764-29	Lever, light switch.....	HDMC	1	1	1	5
♦4766-26	Insulation, horn wire.....	HDMC	1	1	1	5
♦4766-29	Insulation, light switch.....	HDMC	1	1	1	3

HANDLEBAR SWITCHES



4768-26N	Housing, horn switch.....	HDMC	1	1	1	2
4768-29N	Housing, light switch.....	HDMC	1	1	1	2
♦4770-29	Pin, light switch.....	HDMC	1	1	1	3
♦4771-29	Spring, contact pin.....	HDMC	1	1	1	5
♦4776-26	Plate, horn contact.....	HDMC	1	1	1	1
♦4776-29	Block, light contact.....	HDMC	1	1	1	1
♦4777-26	Washer, horn spring.....	HDMC	1	1	1	1
♦4777-29	Plate, light retainer.....	HDMC	1	1	1	2

GROUP 4605 INSTRUMENT PANEL AND SWITCH

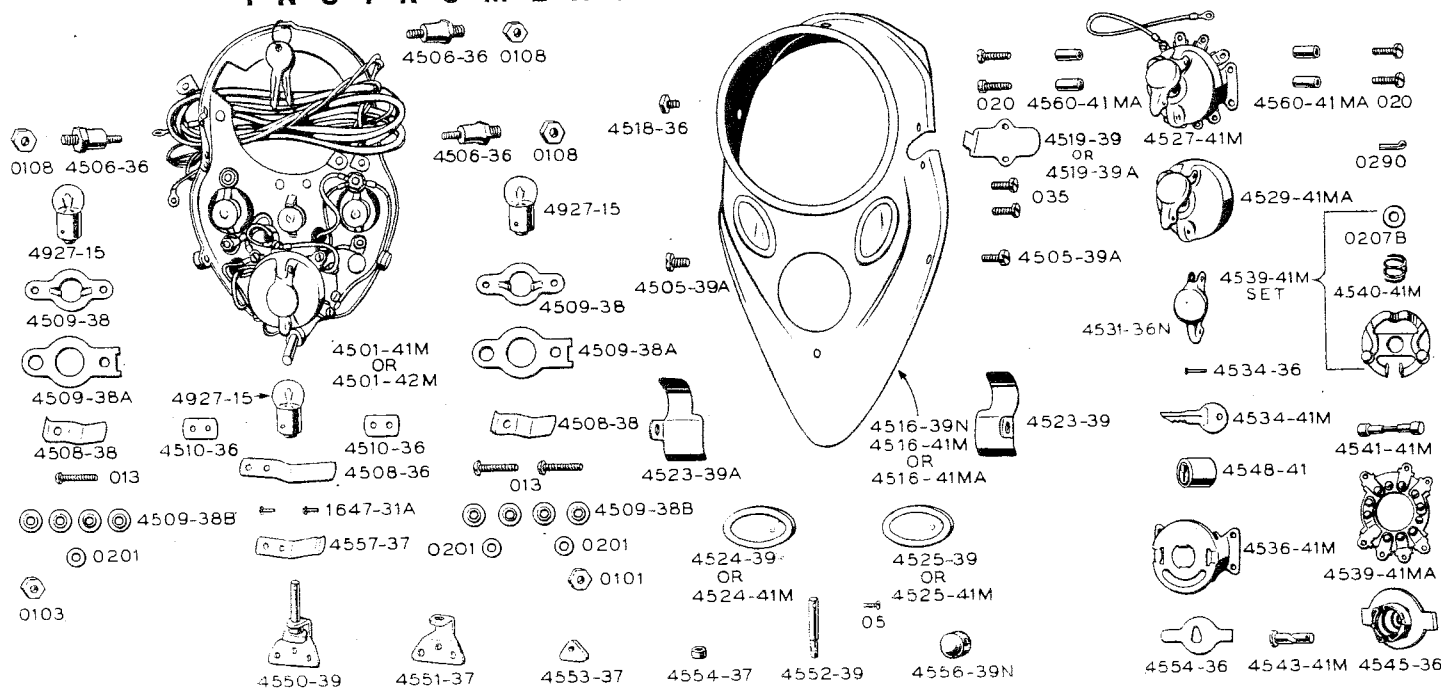
4501-41M	Base, panel less speedometer.....	HDMC	1	1	0	2
4501-42M	Base, panel less speedometer.....	HDMC	0	0	1	2
4505-39N	Base, panel.....	HDMC	1	1	1	1

Part No.	Name of Part	Unit Mfg.	Number Used On			Used For 100 Units
			40WLA	41WLA	42WLA	

GROUP 4605 INSTRUMENT PANEL AND SWITCH - (Continued)

◆4506-36	Stud, panel base.....	HDMC	3	3	3	1
◆0108	Nut, base stud.....	HDMC	3	3	3	See "0" list
◆4927-15	Bulb, panel..... 6-8V-3CP-SC bulb	GE-#63L	3	3	3	54
◆4508-36	Spring, center bulb.....	HDMC	1	1	1	1
◆4508-38	Spring, side bulb.....	HDMC	2	2	2	1
◆4509-38	Socket, side bulb.....	HDMC	2	2	2	1
◆4509-38A	Insulator, bulb socket.....	HDMC	2	2	2	1
◆013	Screw, bulb socket..... #6-32 x 7/8" round head screw	HDMC	1	1	1	See "0" List
◆0101	Nut, socket screw..... #6-32 x 7/64" x 5/16" hexagon nut	HDMC	1	1	1	See "0" List
◆0103	Nut, socket screw..... #8-32 x 1/8" x 5/16" hexagon nut	HDMC	1	1	1	See "0" List
◆0201	Washer, socket..... 3/16" x 7/16" x 1/32" plain steel washer	HDMC	8	8	8	See "0" List
◆4509-38B	Insulator, socket.....	HDMC	9	9	9	1
◆4510-36	Insulator, center spring.....	HDMC	2	2	2	1
◆1647-31A	Rivet, contact spring.....	HDMC	2	2	2	3
4516-39N	Cover, instr. panel.....	HDMC	1	0	0	2
4516-41M	Cover, instr. panel.....	HDMC	0	1	0	2
4516-41MA	Cover, instr. panel.....	HDMC	0	0	1	2
◆4518-36	Screw, panel cover.....	HDMC	1	1	1	20
◆4505-39A	Screw, panel cover.....	HDMC	2	2	2	4
◆4519-39	Plate, panel side.....	HDMC	1	1	0	3
◆4519-39A	Plate, panel side.....	HDMC	0	0	1	1
◆035	Screw, side plate..... #10-32 x 3/8" fillister head screw	HDMC	2	2	4	See "0" List
◆4523-39	Shield, right panel.....	HDMC	1	1	1	1
◆4523-39A	Shield, left panel.....	HDMC	1	1	1	1
◆4524-39	Window and frame, green.....	HDMC	1	0	0	4
4524-41M	Window and frame, green.....	HDMC	0	1	1	4
◆4525-39	Window and frame, red.....	HDMC	1	0	0	4
4525-41M	Window and frame, red.....	HDMC	0	1	1	4

INSTRUMENT PANEL & SWITCH



Part No.	Name of Part	Unit Mfg.	Number Used On			Used For 100 Units
			40WLA	41WLA	42WLA	

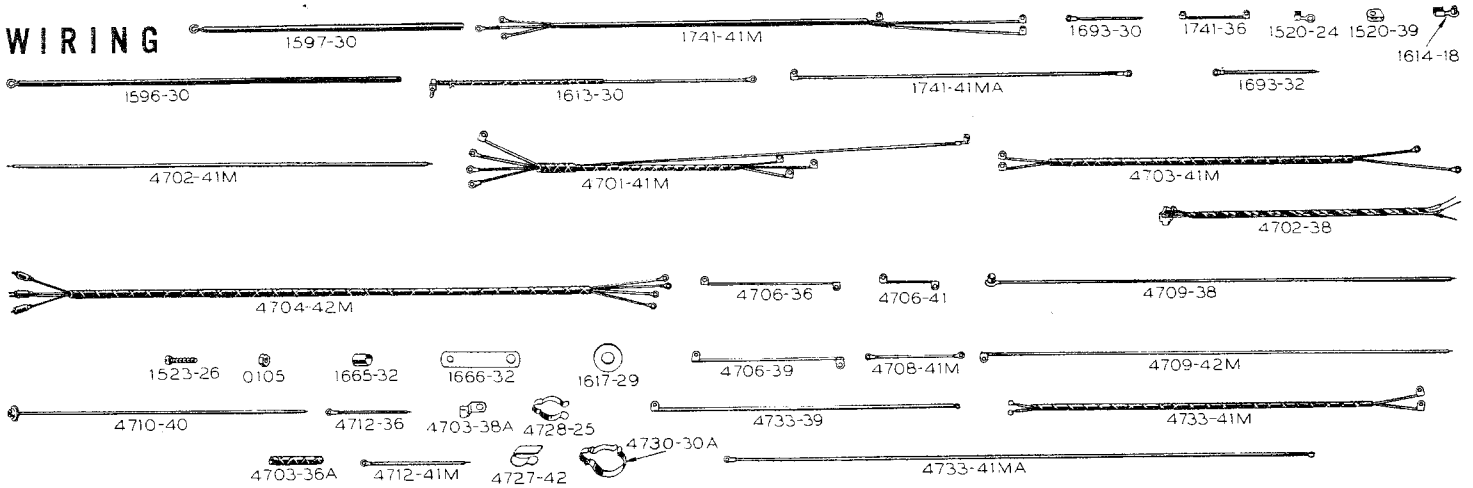
GROUP 4605 INSTRUMENT PANEL AND SWITCH - (Continued)

4527-41M	Switch, ignition.....	HDMC	1	1	1	5
4529-41MA	Cover, switch.....	HDMC	1	1	1	1
4531-36N	Cover, key hole.....	HDMC	1	1	1	1
♦4534-36	Rivet, cover.....	HDMC	1	1	1	1
4534-41M	Key, mounting switch (Briggs & Strat- ton #52732-H-700.....	HDMC	1	1	1	22
4536-41M	Base, switch.....	HDMC	1	1	1	1
4539-41M	Plate, switch (lower).....	HDMC	1	1	1	3
4539-41MA	Plate, switch (upper).....	HDMC	1	1	1	3
4540-41M	Spring, lower contact.....	HDMC	1	1	1	5
4541-41M	Contact, roller.....	HDMC	1	1	1	5
4548-41	Lock & keys.....	HDMC	1	1	1	1
♦020	Screw, switch mtg. #8-32 x 1/4" fillister head screw	HDMC	4	4	4	See "0" List
♦4545-36	Holder, contact.....	HDMC	1	1	1	1
♦010	Screw, terminal contact. #6-32 x 1/4" fillister head screw	HDMC	5	5	5	See "0" List
♦4554-36	Plate, switch lock.....	HDMC	1	1	1	1
♦4550-39	Switch, panel light.....	HDMC	1	1	1	1
♦4551-37	Bracket, panel switch.....	HDMC	1	1	1	1
♦4551-37A	Rivet, bracket mounting.....	HDMC	2	2	2	1
♦4552-39	Stem, panel switch.....	HDMC	1	1	1	2
♦4553-37	Cam, panel switch.....	HDMC	1	1	1	1
♦4554-37	Spacer, panel stem.....	HDMC	1	1	1	1
♦4555-37	Washer, spring.....	HDMC	1	1	1	1
♦0207B	Washer, plain. 260 x 9/16" x .0375" plain steel washer	HDMC	1	1	1	See "0" List
4556-39N	Knob, panel switch.....	HDMC	1	1	1	18
♦05	Screw, switch knob. #4-36 x 1/4" round head screw - brass	HDMC	1	1	1	See "0" List
♦4557-37	Spring, switch contact.....	HDMC	1	1	1	1
♦1647-31A	Rivet, contact spring.....	HDMC	1	1	1	3
♦4558-37	Washer, fibre insulating.....	HDMC	2	2	2	1
♦4559-37	Washer, steel.....	HDMC	2	2	2	1
4560-41MA	Spacer, switch mtg.....	HDMC	4	4	4	1
GROUP 4606 WIRING						
4736-41M	Wiring, set.....	HDMC	0	1	0	3
4736-42M	Wiring, set.....	HDMC	1	0	1	3
♦1596-30	Cable, spark plug, front.....	HDMC	1	1	1	28
♦1597-30	Cable, spark plug, rear.....	HDMC	1	1	1	28
♦1613-30	Wire, circuit breaker.....	HDMC	1	1	1	20
♦1693-30	Wire, field coil, 5-1/4".....	HDMC	2	2	2	1
♦1693-32	Wire, field coil, 6-1/4".....	HDMC	2	2	2	1
♦1741-36	Wire, gen. to relay.....	HDMC	1	1	1	2
1741-41M	Wire, gen. to switch (For U.S.A. numbers under 65747).....	HDMC	1	1	1	2
1741-41MA	Wire, gen. to batt. (For U.S.A. numbers over 65747).....	HDMC	0	1	0	2
♦1520-24	Terminal, small.....	HDMC	14	14	14	44
♦1520-39	Terminal.....	HDMC	26	26	26	56
♦1614-18	Terminal and eyelet.....	HDMC	1	1	1	210
4701-41M	Wire, connection.....	HDMC	1	1	1	2
♦4702-38	Wire, head lamp.....	HDMC	1	0	0	2
4702-41M	Wire, marker lamp.....	HDMC	0	1	1	2
4703-41M	Wire, horn, toggle switch & B.O. lamp..	HDMC	1	1	1	1
4704-41M	Wire, stop & tail lamp.....	HDMC	0	1	0	1
4704-42M	Wire, stop & tail lamp.....	HDMC	1	0	1	1
♦1523-26	Screw, term. connection. #10-32 x 1-1/4" fillister head screw	HDMC	2	2	2	5
♦0105	Nut, terminal screw. #10-32 x 1/8" x 5/16" hex. nut - brass	HDMC	4	4	4	See "0" List

Part No.	Name of Part	Unit Mfg.	Number Used On			Used For 100 Units
			40WLA	41WLA	42WLA	

GROUP 4606

WIRING - (Continued)



◆1665-32	Insulator, term. screw.....	HDMC	2	2	2	7
◆1666-32	Washer, term. screw.....	HDMC	4	4	4	8
◆1617-29	Washer, fibre.....	HDMC	2	2	2	2
◆4706-36	Wire, negative ground.....	HDMC	1	1	1	2
◆4706-39	Wire, batt. positive.....	HDMC	1	1	1	1
◆4706-41	Wire, battery ground.....	HDMC	0	1	1	1
4708-41M	Wire, signal light.....	HDMC	1	1	1	1
◆4709-38	Wire, oil press. switch.....	HDMC	1	1	0	1
4709-42M	Wire, oil press. switch.....	HDMC	0	0	1	1
◆4710-40	Wire, horn switch.....	HDMC	1	1	To 611203	1
◆4707-39	Wire, horn switch.....	HDMC	0	0	Over 611203	1
◆4703-36A	Conduit, switch panel.....	HDMC	1	1	1	1
◆4712-36	Wire, panel contact.....	HDMC	1	0	1	1
4712-41M	Wire, panel contact.....	HDMC	0	1	0	1
◆4703-38A	Clamp, horn wire.....	HDMC	2	2	2	4
4727-42	Clip, tail light wire.....	HDMC	0	0	5	5
◆4728-25	Clamp, 1-1/4".....	HDMC	1	1	1	1
◆4730-30A	Clamp, frame head.....	HDMC	1	1	1	1
◆4733-39	Wire, stop light switch.....	HDMC	1	0	0	1
4733-41M	Wire, stop light switch.....	HDMC	0	1	1	1
4733-41MA	Wire, stop light switch (change over)	HDMC	1	1	1	1
*4706-41M	Wire, with fuse holder, (For U.S.A. numbers under 65747) (Use 4706-36)..	HDMC	0	1	0	2
*4706-41MA	Fuse, 25 ampere (Use 4706-36).....	HDMC	0	1	0	6
*4706-41MB	Clip, fuse holder.....	HDMC	0	1	0	1
*4706-41MC	Wire, fuse holder red. (For U.S.A. numbers over 65747) (Use 4706-39)..	HDMC	0	1	0	2

*Note:-All models are being equipped with the latest Harley Davidson black-out switches. Fuses are not considered necessary once the new black-out switches are installed. Negative battery wire number 4706-41M can be replaced with plain Wire 4706-36. Positive Wire number 4706-41MC can be replaced with wire number 4706-39.

GROUP 4607, 4608 HEADLIGHT AND TAIL LAMP PARTS

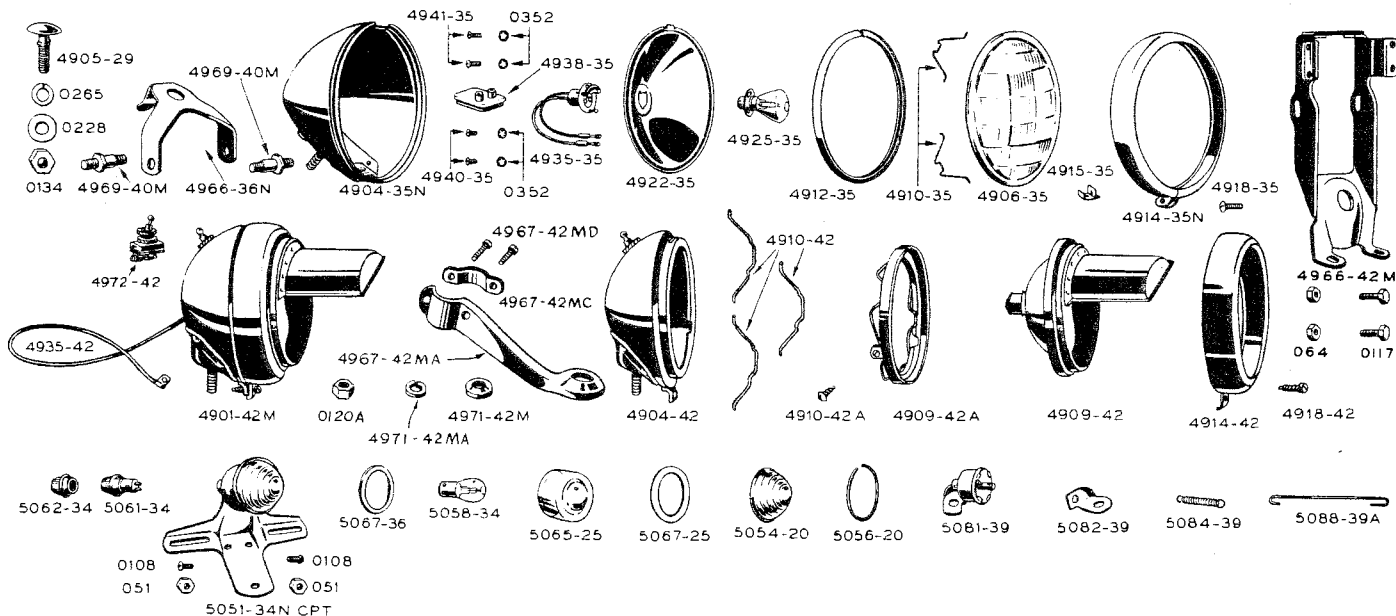
4901-35N	Headlight, complete.....	HDMC	1	1	1	54
4904-35N	Body, headlight.....	HDMC	1	1	1	1
◆4905-29	Bolt, headlight fastening.....	HDMC	1	1	1	1
◆4906-35	Lens, headlight.....	HDMC	1	1	1	167
◆4910-35	Spring, lens retaining.....	HDMC	2	2	2	63
◆4912-35	Washer, lens packing.....	HDMC	1	1	1	30
4914-35N	Door, or bezel.....	HDMC	1	1	1	56
◆4915-35	Lug, door.....	HDMC	1	1	1	2
◆4918-35	Screw, door fastening.....	HDMC	1	1	1	10
◆4922-35	Reflector.....	HDMC	1	1	1	8

Part No.	Name of Part	Unit Mfg.	Number Used On			Used For 100 Units
			40WLA	41WLA	42WLA	

GROUP 4607, 4608 HEADLIGHT AND TAIL LAMP PARTS--(Continued)

◆4925-35	Bulb, pre-focused..... 32-21 CP.-6V-DC Prefocused	GE 2320L	1	1	1	50
◆4935-35	Wiring, lamp inside.....	HDMC	1	1	1	2
◆4938-35	Block, terminal.....	HDMC	1	1	1	1
◆4940-35	Screw, terminal, #8-32.....	HDMC	2	2	2	4
◆4941-35	Screw, terminal, #10-32.....	HDMC	2	2	2	4
4966-36N	Bracket, headlight.....	HDMC	1	1	1	7
4966-42M	Bracket, headlight & horn.....	HDMC	0	0	To 611203 1 Over 611203	7
◆064	Bolt, bracket lower end..... 5/16"-24 U.S.F. x 3/4" x 1/2" hex. head bolt	HDMC	0	0	Over 611203 2	See "0" list
◆0117	Nut, bracket bolt..... 5/16"-24 U.S.F. x 17/64" x 1/2" hex. head bolt	HDMC	0	0	Over 611203 2	See "0" list

HEADLIGHT & TAIL LIGHT GROUP



4969-40M	Bolt, lamp bracket.....	HDMC	2	2	2	1
◆066	Bolt, brkt. to handlebar..... 5/16"-24 U.S.F. x 1" x 1/2" hex. head bolt	HDMC	2	2	2	See "0" list
◆0117	Nut, bracket bolt..... 5/16"-24 U.S.F. x 17/64" x 1/2" hex. nut	HDMC	2	2	2	See "0" list
◆0134	Nut, headlight fastening..... 7/16"-20 U.S.F. x 1/2" x 5/8" hexagon nut special	HDMC	1	1	1	See "0" list
4901-42M	Lamp, blackout head, less brkt.....	Guide 925584	0	0	1	10
4904-42	Body, blackout headlight.....	Guide 5935068	0	0	1	1
4909-42	Unit, blackout light sealed.....	Guide 5934473	0	0	1	4
4909-42A	Retainer, blackout sealed unit.....	Guide 5934457	0	0	1	4
4910-42	Clip, retainer spring.....	Guide 5934450	0	0	3	6
4910-42A	Screw, retainer.....	Guide 171350	0	0	1	4
4914-42	Door, only blackout.....	Guide 5934562	0	0	1	6
4918-42	Screw, door.....	Guide 5934583	0	0	1	6
4935-42	Wire, B.O. lamp.....	Guide 5933642	0	0	1	4
4967-42MA	Bracket, blackout mounting.....	HDMC	0	0	1	6
4971-42M	Washer, B.O. bearing.....	Guide 921243	0	0	1	5
4971-42MA	Washer, mounting bolt lock.....	Guide 120382	0	0	1	10
◆0120A	Nut, mounting bolt lock..... 3/8"-16 U.S.S. x 5/16" x 9/16" hex. nut	HDMC	0	0	1	See "0" List
4967-42MC	Cap, B.O. lamp bracket.....	HDMC	0	0	1	4
4967-42MD	Screw, bracket cap.....	HDMC	0	0	2	8
4972-42	Switch, B.O. toggle.....	Guide 5935070	0	0	1	4
4972-42A	Gasket, toggle switch.....	Guide 5935067	0	0	1	10
4972-42B	Screw, toggle switch.....	Guide 5935069	0	0	2	20
5051-34N	Lamp, complete, stop and tail.....	HDMC	0	1	0	7
◆5054-20	Lens, red.....	HDMC	0	1	0	50
◆5056-20	Retainer, red lens.....	HDMC	0	1	0	17

Part No.	Name of Part	Unit Mfg.	Number Used On			Used For 100 Units
			40WLA	41WLA	42WLA	

GROUP 4607, 4608 HEADLIGHT AND TAIL LAMP PARTS - (Continued)

♦5058-34	Bulb, rear lamp..... 21-3CP, 6V, DC, double filament bulb	GE#1158	0	1	0	30
♦5061-34	Plug and cap, connector.....	HDMC	0	1	0	4
♦5062-34	Cap, connector plug.....	HDMC	0	1	0	2
♦5063-30	Screw, connector plug.....	HDMC	0	2	0	4
♦5065-25	Window, for license.....	HDMC	0	1	0	20
♦5067-25	Gasket, stop light, paper (thick)....	HDMC	0	1	0	11
♦5067-36	Gasket, stop light, thin.....	HDMC	0	1	0	17
♦5081-39	Switch, stop light.....	HDMC	1	1	1	6
♦5082-39	Bracket, switch mounting.....	HDMC	1	1	1	2
♦5084-39	Spring, stop light.....	HDMC	1	1	1	6
♦5088-39A	Wire, stop light pull.....	HDMC	1	1	1	4
♦051	Screw, license bracket..... 1/4"-24 x 1/2" round head screw	HDMC	2	2	2	See "0" List
♦0108	Nut, bracket screw..... 1/4"-24 x 5/32" x 7/16" hexagon nut	HDMC	2	2	2	See "0" List

Note:- The original service tail lamps on 1940 models are being replaced with the 1942 type (latest) black out rear lamps, bracket, and wiring harness.

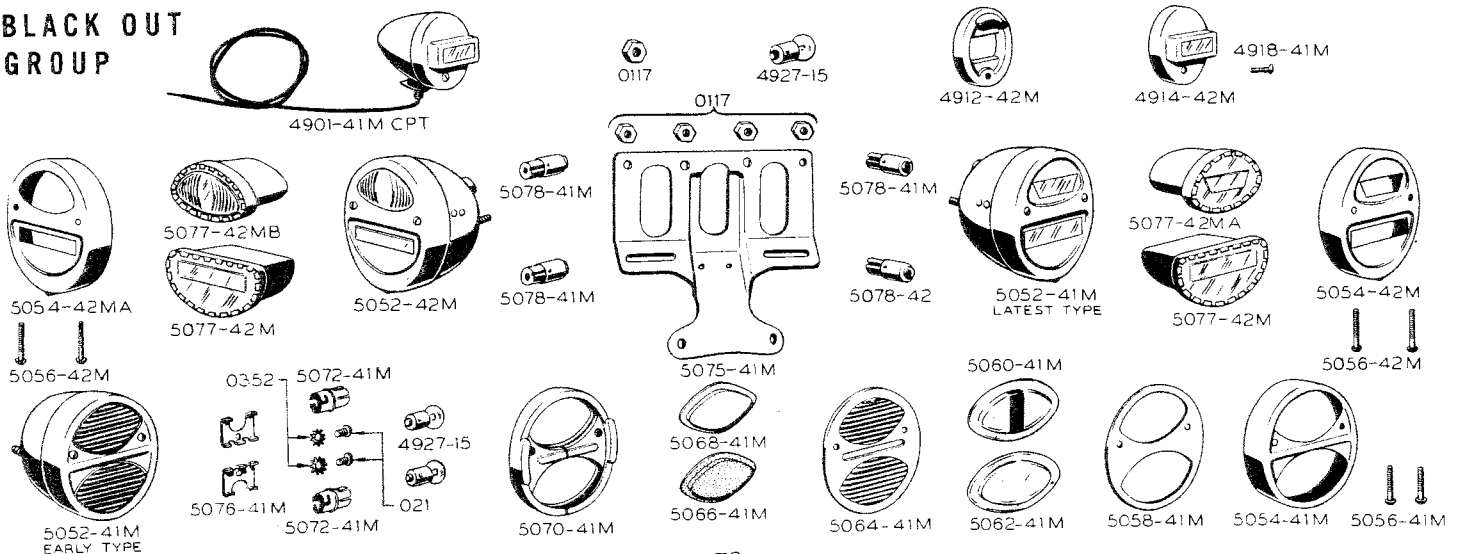
GROUP 4608 BLACK OUT LIGHTS & PARTS

4901-41M	Light, marker.....	Guide 917098	1	1	1	23
♦0117	Nut, for mounting lamp..... 5/16"-24 U.S.F. x 17/64" x 1/2" hex. nut	HDMC	1	1	1	See "0" List
♦4927-15	Bulb, lamp..... 3 CP, 6-8V, SC, bulb	GE #63	1	1	1	54
*4906-41M	Lens.....	Guide 5932167	0	1	0	70
*4908-41M	Louvre, for lens.....	Guide 5932169	0	1	0	30
*4910-41M	Filter, for lens.....	Guide 5932165	0	1	0	30
*4912-41M	Rubber, packing.....	Guide 5932164	0	1	0	25
*4914-41M	Molding, only.....	Guide 5932170	0	1	0	12

Note: Items marked thus () can easily be replaced by installing the new sealed door and lens unit 4914-42M. The new type unit should be used wherever practicable.

4912-42M	Packing, rubber.....	Guide 5933075	1	1	1	12
4914-42M	Door, complete.....	Guide 5933122	1	1	1	12
4918-41M	Screw, door.....	Guide 5932419	1	1	1	9
5052-41M	Lamp, B.O., rear.....	Guide 927226	1	1	1	7
5052-42M	Lamp, B.O. and service, rear.....	Guide 927225	1	1	1	7

BLACK OUT GROUP



Part No.	Name of Part	Unit Mfg.	Number Used On			Used For 100 Units
			40WLA	41WLA	42WLA	

GROUP 4608 BLACK OUT LIGHTS & PARTS - (Continued)

♦0107	Nut, lamp mounting..... 1/4"-20 U.S.S. x 1/4" x 1/2" hex. nut	HDMC	4	4	4	See "0" List
5053-41M	Insulator, tail lamp.....	HDMC	3	2	3	40
5054-41M	Door, only,.....	Guide 5932199	0	1	0	7
5054-42M	Door, B.O. lamp.....	Guide 5933055	1	1	1	7
5054-42MA	Door, service lamp.....	Guide 5933056	1	1	1	7
5056-41M	Screw, for door.....	Guide 5932417	0	2	0	14
5056-42M	Screw, door.....	Guide 5933069	4	4	4	78
5058-41M	Gasket, between lenses & door.....	Guide 5932123	0	1	0	5
5060-41M	Lens, tail light.....	Guide 5932361	0	1	0	16
5062-41M	Lens, stop light.....	Guide 5932125	0	1	0	5
5064-41M	Louvre, plate.....	Guide 5932186	0	1	0	5
5066-41M	Filter, red.....	Guide 5932127	0	1	0	5
5068-41M	Filter, amber.....	Guide 5932126	0	1	0	5
5070-41M	Block, lens mounting.....	Guide 5932124	0	1	0	5
♦4927-15	Bulb, 6-8V, 3CP, SC Bulb.....	GE #63	0	2	0	44
5072-41M	Socket, for bulb.....	Guide 5932132	0	2	0	3
5074-41M	Gasket, for socket.....	Guide 5932134	0	2	0	5
5076-41M	Retainer, for socket.....	Guide 5932133	0	2	0	2
♦021	Screw, for retainer..... #8-32 U.S.F. x 3/8" fillister head screw	HDMC	0	2	0	See "0" List
5075-41M	Bracket, stop light.....	HDMC	1	1	1	6
5077-42M	Unit, tail lamp cpt.....	Guide 5933078	2	2	2	14
5077-42MA	Unit, stop light cpt.....	Guide 5933121	1	1	1	7
5077-42MB	Unit, service complete.....	Guide 5933104	1	1	1	7
5078-41M	Plug, connector.....	Guide 1883194	3	3	3	7
5078-42	Plug, connector.....	Hersee Co. DC 823805	1	1	1	3

GROUP 4609

HORN GROUP

4800-42M	Horn and brkt. assem.....	HDMC	0	0	To 611203	5
----------	---------------------------	------	---	---	-----------	---

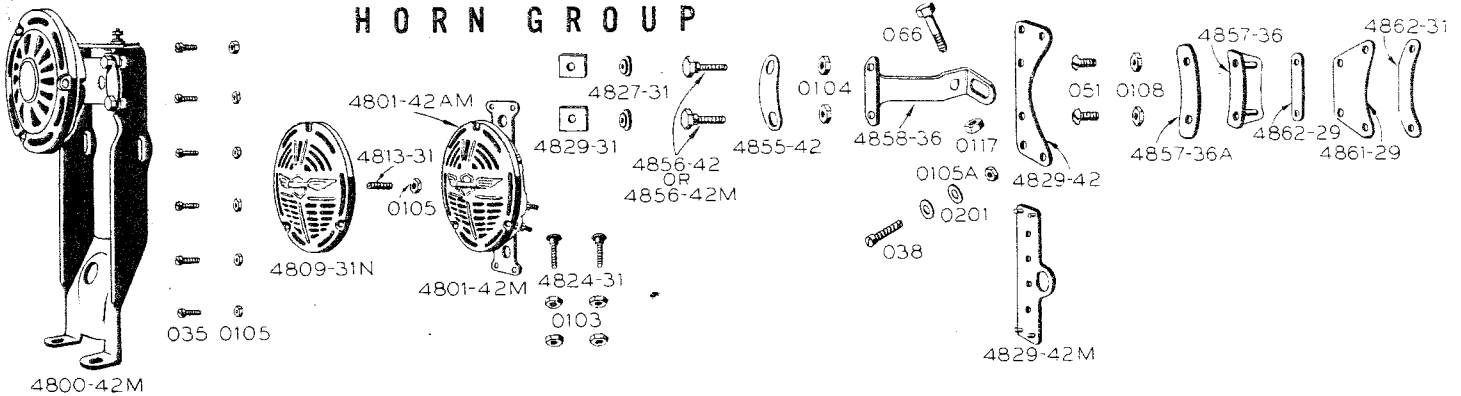
*Note:- The above assembly provides all the fittings necessary to move the headlight to the lowered position.

4801-42M	Horn, assembly.....	HDMC	1	1	To 611203	10
4801-42AM	Horn, only.....	HDMC	0	0	Over 611203	10
♦4809-31N	Front, horn.....	HDMC	1	1	1	1
♦035	Screw, projector..... #10-32 x 3/8" fillister head screw	HDMC	6	6	6	See "0" List
♦0105	Nut, projector, screw..... #10-32 x 1/8" x 5/16" hex. nut, brass	HDMC	6	6	6	See "0" List
♦4813-31	Screw, adjusting.....	HDMC	1	1	1	1
♦0105	Nut, adjusting screw..... #10-32 x 1/8" x 5/16" hex. nut, brass	HDMC	1	1	1	See "0" list
♦4824-31	Screw, terminal.....	HDMC	2	2	2	1
♦0103	Nut, terminal..... #8-32 x 1/8" x 5/16" hex. nut	HDMC	4	4	4	See "0" list
♦4827-31	Bushing, terminal screw.....	HDMC	2	2	2	1
♦4829-31	Fibre, terminal screw.....	HDMC	2	2	2	1
4829-42	Plate, horn terminal.....	HDMC	1	1	To 611203	1
4829-42M	Plate, horn terminal.....	HDMC	0	0	Over 611203	1
♦038	Screw, terminal plate..... 10-32 U.S.F. x 3/4" fillister head screw	HDMC	1	1	1	See "0" list
♦0201	Washer, terminal plate screw..... 3/16" x 7/16" x 1/32" plain steel washer	HDMC	2	2	2	See "0" list
♦0105A	Nut, terminal plate screw..... 10-32 U.S.F. x 1/8" x 3/8" hex. nut	HDMC	1	1	1	See "0" list
♦4855-42	Plate, bracket spring.....	HDMC	1	1	1	3
♦4856-42	Bolt, horn bracket.....	HDMC	2	2	To 611203	4
4856-42M	Bolt, horn mounting,.....	HDMC	0	0	Over 611203	4
♦036	Screw, horn mounting..... 10-32 U.S.F. x 1/2" fillister head	HDMC	0	0	Over 611203	See "0" list

Part No.	Name of Part	Unit Mfg.	Number Used On			Used For 100 Units
			40WLA	41WLA	42WLA	

GROUP 4609

HORN GROUP - (Continued)



♦0104	Nut, horn bracket plate bolt..... 10-24 U.S.F. x 1/8" x 3/8" hex. nut	HDMC	4	4	4	See "0" list
♦4857-36	Bracket, horn (lower).....	HDMC	1	1	1	2
♦4857-36A	Reinforcement, horn brkt.....	HDMC	1	1	To 611203	2
♦051	Bolt, bracket..... 1/4"-24 U.S.F. x 1/2" round head screw	HDMC	2	2	2	See "0" list
♦0108	Nut, bracket bolt..... 1/4"-24 U.S.F. x 5/32" x 7/16" hex. nut	HDMC	2	2	2	See "0" list
♦4858-36	Bracket, horn upper.....	HDMC	1	1	To 611203	3
♦066	Bolt, upper bracket to fork..... 5/16"-24 U.S.F. x 1" x 1/2" hex. head bolt	HDMC	1	1	1	See "0" list
♦0117	Nut, upper bracket bolt..... 5/16"-24 U.S.F. x 17/64" x 1/2" hex. nut	HDMC	1	1	1	See "0" list
♦4861-29	Spring, horn bracket.....	HDMC	2	2	2	20
♦4862-29	Plate, straight spring.....	HDMC	3	3	3	20
♦4862-31	Plate, curved spring.....	HDMC	6	6	6	20

GROUP 4700

TRANSMISSION PARTS

2202-40M	Transmission, complete.....	HDMC	1	0	0	6
2202-41D	Transmission, complete.....	HDMC	0	1	1	6
2204-37N	Lever, shifter.....	HDMC	1	1	1	16
♦2205-31	Ball, gear shifter.....	HDMC	1	1	1	6
♦2206-37	Stud, shifter lever.....	HDMC	1	1	1	6
♦0225	Washer, stud plain..... 3/8" x 13/16" x 7/64" plain steel washer	HDMC	1	1	1	See "0" list
♦0117	Nut, stud..... 5/16"-24 U.S.F. x 17/64" x 1/2" hex. nut	HDMC	1	1	1	See "0" list
2208-40N	Guide, shifter.....	HDMC	1	1	1	6
2210-36N	Screw, shifter guide.....	HDMC	2	2	2	6
♦2212-38	Rod, shifter.....	HDMC	1	0	0	2
♦2212-41A	Rod, shifter.....	HDMC	0	1	1	2
♦2214-36	End, shifter rod.....	HDMC	1	1	1	4
♦2215-41	Pin, shifter rod clevis.....	HDMC	0	1	1	4
♦2225-36	Bolt, shifter rod end.....	HDMC	1	1	1	9
♦0117	Nut, shifter rod end bolt..... 5/16"-24 U.S.F. x 17/64" x 1/2" hex. nut	HDMC	1	1	1	See "0" list
♦2241-38	Gear, shifter.....	HDMC	1	0	0	1
♦2241-41	Gear, shifter.....	HDMC	0	1	1	1
♦2166-26	Spring, gear shifter.....	HDMC	1	1	1	20
♦2242-40	Shaft, shifter lever.....	HDMC	1	1	1	2
♦2242-38A	Spring, gear retaining.....	HDMC	1	1	1	2
♦2243-40	Cam, shifting.....	HDMC	1	0	0	2
♦2243-41	Cam, shifting.....	HDMC	0	1	1	3
♦2244-38	Shaft, shifter cam.....	HDMC	1	0	0	2
♦2244-41	Shaft, shifter cam.....	HDMC	0	1	1	2
♦2244-38A	Screw, cam shaft lock.....	HDMC	1	1	1	1

GROUP 4700

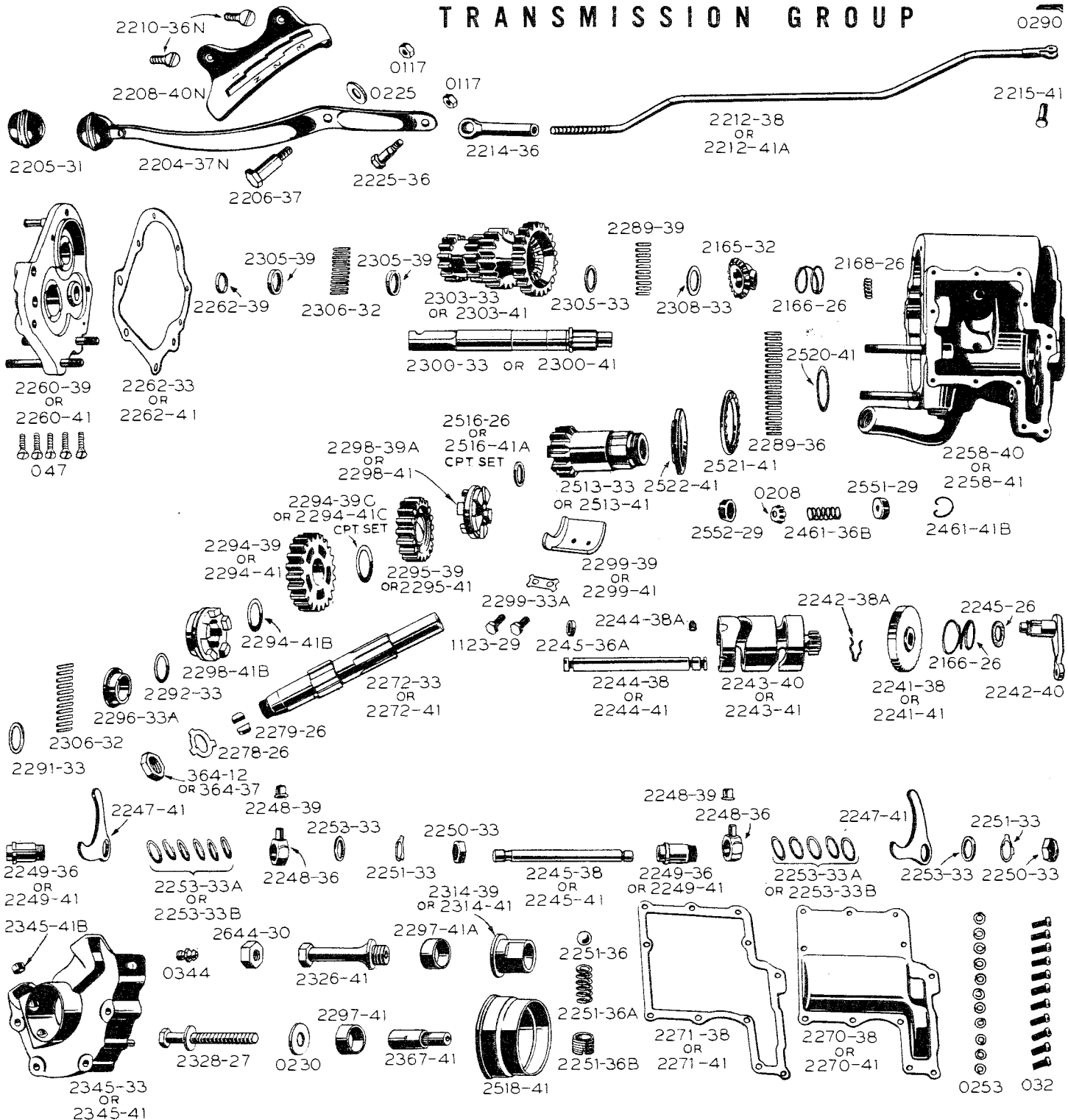
Part No.	Name of Part	Unit Mfg.	Number Used On			Used For 100 Units
			40WLA	41WLA	42WLA	
GROUP 4700 TRANSMISSION PARTS - (Continued)						
♦2245-36A	Seal, cam shaft oil.....	HDMC	1	1	1	8
♦2245-38	Shaft, shifting fork.....	HDMC	1	0	0	6
♦2245-41	Shaft, shifting fork.....	HDMC	0	1	1	6
♦2246-33	Fork, shifting - 2nd and high.....	HDMC	1	0	0	36
♦2247-33	Fork, shifting - low and rev.....	HDMC	1	0	0	16
♦2247-41	Fork, gear shifter.....	HDMC	0	2	2	26
♦2248-36	Finger, shifting.....	HDMC	2	2	2	2
♦2248-39	Roller, finger.....	HDMC	2	2	2	2
♦2249-36	Bushing, shifting fork.....	HDMC	2	0	0	2
♦2249-41	Bushing, shifting fork.....	HDMC	0	2	2	2
♦2250-33	Nut, bushing.....	HDMC	2	2	2	2
♦2251-33	Washer, lock bushing.....	HDMC	2	2	2	9
♦2251-36	Ball, cam plunger.....	HDMC	1	1	1	1
♦2251-36A	Spring, plunger ball.....	HDMC	1	1	1	1
♦2251-36B	Screw, cam plunger cap.....	HDMC	1	1	1	1
♦2253-33	Shim, spacer 5/64" thick.....	HDMC	2	2	2	4
♦2253-33A	Shim, spacer .014" thick.....	HDMC	2	2	2	4
♦2253-33B	Shim, spacer .007" thick.....	HDMC	2	2	2	4
♦2258-40	Box, gear only.....	HDMC	1	0	0	3
♦2258-41	Box, gear only.....	HDMC	0	1	1	3
♦2260-39	Cover, gear box side.....	HDMC	1	0	0	1
♦2260-41	Cover, gear box side.....	HDMC	0	1	1	1
♦047	Screw, gear box cover.....	HDMC	5	5	5	See "0" list
	12-24 U.S.F x 13/16" oval counter-sunk head screw					
♦2262-33	Gasket, side cover.....	HDMC	1	0	0	46
♦2262-41	Gasket, side cover.....	HDMC	0	1	1	46
♦2262-39	Washer, case cover.....	HDMC	1	1	1	8
♦2270-38	Cover, inspection hole.....	HDMC	1	0	0	1
♦2270-41	Cover, inspection hole.....	HDMC	0	1	1	1
♦2271-38	Gasket, cover.....	HDMC	1	0	0	24
♦2271-41	Gasket, cover.....	HDMC	0	1	1	24
♦032	Screw, gear box cover.....	HDMC	6	11	11	See "0" list
	10-24 x 5/8" fillister head screw					
♦2272-33	Shaft, main.....	HDMC	1	0	0	6
♦2272-41	Shaft, main.....	HDMC	0	1	1	6
♦364-12	Nut, main shaft.....	HDMC	1	0	0	5
♦364-37	Nut, main shaft.....	HDMC	0	1	1	5
♦2278-26	Washer, mainshaft lock.....	HDMC	1	1	1	36
♦2279-26	Key, main shaft.....	HDMC	2	2	2	124
♦2516-26B	Spacer, mainshaft .090".....	HDMC	1	0	0	1
♦2516-26C	Spacer, mainshaft .095".....	HDMC	1	0	0	1
♦2516-26D	Spacer, mainshaft .100".....	HDMC	1	0	0	1
♦2516-26E	Spacer, mainshaft .105".....	HDMC	1	0	0	1
♦2516-26F	Spacer, mainshaft .110".....	HDMC	1	0	0	1
♦2516-26G	Spacer, mainshaft .115".....	HDMC	1	0	0	1
♦2516-26H	Spacer, mainshaft .120".....	HDMC	1	0	0	1
♦2516-26JA	Spacer, mainshaft .125".....	HDMC	1	0	0	1
♦2516-26KA	Spacer, mainshaft .130".....	HDMC	1	0	0	1
♦2516-26LA	Spacer, mainshaft .135".....	HDMC	1	0	0	1
♦2516-26MA	Spacer, mainshaft .140".....	HDMC	1	0	0	1
♦2516-41B	Spacer, mainshaft .078".....	HDMC	0	1	1	1
♦2516-41C	Spacer, mainshaft .083".....	HDMC	0	1	1	1
♦2516-41D	Spacer, mainshaft .088".....	HDMC	0	1	1	1
♦2516-41E	Spacer, mainshaft .093".....	HDMC	0	1	1	1
♦2516-41F	Spacer, mainshaft .098".....	HDMC	0	1	1	1
♦2516-41G	Spacer, mainshaft .103".....	HDMC	0	1	1	1
♦2516-41H	Spacer, mainshaft .108".....	HDMC	0	1	1	1
♦2516-41JA	Spacer, mainshaft .113".....	HDMC	0	1	1	1
♦2516-26A	Spacer, mainshaft - (set).....	HDMC	1	0	0	1
♦2516-41A	Spacer, mainshaft - (set).....	HDMC	0	1	1	1
♦2289-39	Roller, countershaft.....	HDMC	24	24	24	60

Part No.	Name of Part	Unit Mfg.	Number Used On			Used For 100 Units
			40WLA	41WLA	42WLA	
GROUP 4700 TRANSMISSION PARTS - (Continued)						
♦2290-33	Race, outer bearing.....	HDMC	1	1	1	2
♦2306-32	Roller, mainshaft.....	HDMC	21	21	21	200
♦2291-33	Washer, bearing thrust.....	HDMC	1	1	1	9
♦2292-33	Washer, thrust.....	HDMC	2	1	1	17
♦2293-36	Washer, sprocket side.....	HDMC	1	0	0	20
♦2293-41	Washer, sprocket side.....	HDMC	0	1	1	20
♦2293-36A	Ring, oil seal - in spkt.....	HDMC	1	1	1	4
♦2524-36	Washer, set oil retaining.....	HDMC	1	0	0	20
♦2512-41	Seal, clutch gear oil.....	HDMC	0	1	1	20
♦2513-33	Gear, clutch.....	HDMC	1	0	0	6
♦2513-41	Gear, clutch.....	HDMC	0	1	1	7
♦2518-41	Race, left brg. outer.....	HDMC	0	1	1	2
♦2289-36	Roller, left bearing.....	HDMC	0	40	40	100
♦2520-41	Washer, left brg. thrust.....	HDMC	0	1	1	1
♦2520-41A	Washer, left brg. retaining.....	HDMC	0	1	1	2
♦2521-41	Bearing and balls, thrust.....	HDMC	0	1	1	4
♦2522-41	Race, thrust bearing.....	HDMC	0	1	1	2
♦2294-39	Gear, low (first).....	HDMC	1	0	0	8
♦2294-41	Gear, low (first).....	HDMC	0	1	1	8
♦2294-39AB	Washer, low & 2nd gear .029".....	HDMC	1	0	0	1
♦2294-39AC	Washer, low & 2nd gear .032".....	HDMC	1	0	0	1
♦2294-39AD	Washer, low & 2nd gear .035".....	HDMC	1	0	0	1
♦2294-39AE	Washer, low & 2nd gear .038".....	HDMC	1	0	0	1
♦2294-39AF	Washer, low & 2nd gear .041".....	HDMC	1	0	0	1
♦2294-41AB	Washer, 2nd gear .040".....	HDMC	0	1	1	1
♦2294-41AC	Washer, 2nd gear .045".....	HDMC	0	1	1	1
♦2294-41AD	Washer, 2nd gear .050".....	HDMC	0	1	1	1
♦2294-41AE	Washer, 2nd gear .055".....	HDMC	0	1	1	1
♦2294-41AF	Washer, 2nd gear .060".....	HDMC	0	1	1	1
♦2294-41AG	Washer, 2nd gear .065".....	HDMC	0	1	1	1
♦2294-41AH	Washer, 2nd gear .070".....	HDMC	0	1	1	1
♦2294-41AI	Washer, 2nd gear .075".....	HDMC	0	1	1	1
♦2294-39C	Washer, complete set.....	HDMC	1	0	0	1
♦2294-41C	Washer, complete set.....	HDMC	0	1	1	1
♦2294-41B	Washer, low gear end.....	HDMC	0	1	1	4
♦2295-39	Gear, second.....	HDMC	1	0	0	11
♦2295-41	Gear, second.....	HDMC	0	1	1	11
♦2296-33A	Collar, spacing.....	HDMC	1	1	1	5
♦2297-39A	Bushing, second gear.....	HDMC	1	0	0	1
♦2297-39B	Bushing, low gear.....	HDMC	1	0	0	1
♦2297-41	Bushing, second gear.....	HDMC	0	1	1	1
♦2297-41A	Bushing, low gear.....	HDMC	0	1	1	1
♦2298-36	Clutch, low shifter.....	HDMC	1	0	0	6
♦2298-39A	Clutch, 2nd and high shifter.....	HDMC	1	0	0	20
♦2298-41	Clutch, 2nd and high shifter.....	HDMC	0	1	1	20
♦2298-41B	Clutch, low gear shift.....	HDMC	0	1	1	6
♦2299-39	Bracket, 2nd gear retaining.....	HDMC	1	0	0	4
♦2299-41	Bracket, 2nd gear retaining.....	HDMC	0	1	1	4
♦1123-29	Bolt, 2nd gear brkt.....	HDMC	2	2	2	23
♦2299-33A	Washer, bracket bolt.....	HDMC	1	1	1	2
♦2300-33	Countershaft.....	HDMC	1	0	0	4
♦2300-41	Countershaft.....	HDMC	0	1	1	4
♦2303-33	Gear, countershaft.....	HDMC	1	0	0	5
♦2303-41	Gear, countershaft.....	HDMC	0	1	1	5
♦2367-41	Shaft, idler gear.....	HDMC	0	1	1	1
♦2305-33	Washer, inner thrust.....	HDMC	1	1	1	5
♦2305-39	Washer, countershaft brg. right.....	HDMC	2	2	2	3
♦2306-32	Roller, countershaft - Std.....	HDMC	40	40	40	200
♦2306-32D	Roller, countershaft .0002" O.S.....	HDMC	40	40	40	40
♦2306-32F	Roller, countershaft .0004" O.S.....	HDMC	40	40	40	40
♦2306-32H	Roller, countershaft .0006" O.S.....	HDMC	40	40	40	40
♦2306-32KA	Roller, countershaft .0008" O.S.....	HDMC	40	40	40	40

Part No.	Name of Part	Unit Mfg.	Number Used On			Used For 100 Units
			40WLA	41WLA	42WLA	

GROUP 4700 TRANSMISSION PARTS - (Continued)

◆2306-32MA	Roller, countershaft .001" O.S.....	HDMC	40	40	40	40
◆2289-39	Roller, countershaft .114" x 3/4"....	HDMC	24	24	24	60
◆2308-33	Plate, countershaft gear end.....	HDMC	1	1	1	4
◆2312-26	Bushing, countershaft left.....	HDMC	1	1	1	2



Part No.	Name of Part	Unit Mfg.	Number Used On			Used For 100 Units
			40WLA	41WLA	42WLA	

GROUP 4700 TRANSMISSION PARTS - (Continued)

♦2314-39	Bushing, countershaft, gear box.....	HDMC	1	0	0	2
♦2314-41	Bushing, countershaft, gear box.....	HDMC	0	1	1	2
♦2318-26	Stud, gear box mtg.....	HDMC	2	3	3	12
♦0230	Washer, stud, plain..... 7/16" x 15/16" x .134" plain steel washer	HDMC	2	3	3	See "0" list
♦2644-30	Nut, mounting stud.....	HDMC	2	3	3	8
♦2326-35	Plug, gear box filler.....	HDMC	1	0	0	11
♦2326-41	Plug, gear box filler.....	HDMC	0	1	1	11
♦2328-27	Screw, gear box adj.....	HDMC	1	1	1	12
♦2345-33	Cover, sprocket.....	HDMC	1	0	0	1
♦2345-41	Cover, sprocket.....	HDMC	0	1	1	1
♦2345-32A	Bushing, sprkt. cover, upper.....	HDMC	1	0	0	3
♦2345-32B	Bushing, sprkt. cover, lower.....	HDMC	1	0	0	3
♦2345-36	Guard, push rod bearing.....	HDMC	1	0	0	1
♦2345-41B	Bushing, sprocket cover.....	HDMC	0	2	2	1
♦2346-32	Pin, sprocket cover.....	HDMC	1	0	0	1
♦2346-33	Stud, sprocket cover.....	HDMC	2	2	2	3
♦2346-33A	Stud, sprocket cover.....	HDMC	1	1	1	2
♦2346-33B	Stud, sprocket cover (2-5/16").....	HDMC	1	1	1	2
♦0117	Nut, sprocket cover..... 5/16"-24 x 17/64" x 1/2" hexagon nut	HDMC	4	4	4	See "0" list
♦2346-41	Pin, sprocket cover.....	HDMC	0	1	1	1
♦0344	Fitting, grease.....	HDMC	1	1	1	See "0" list

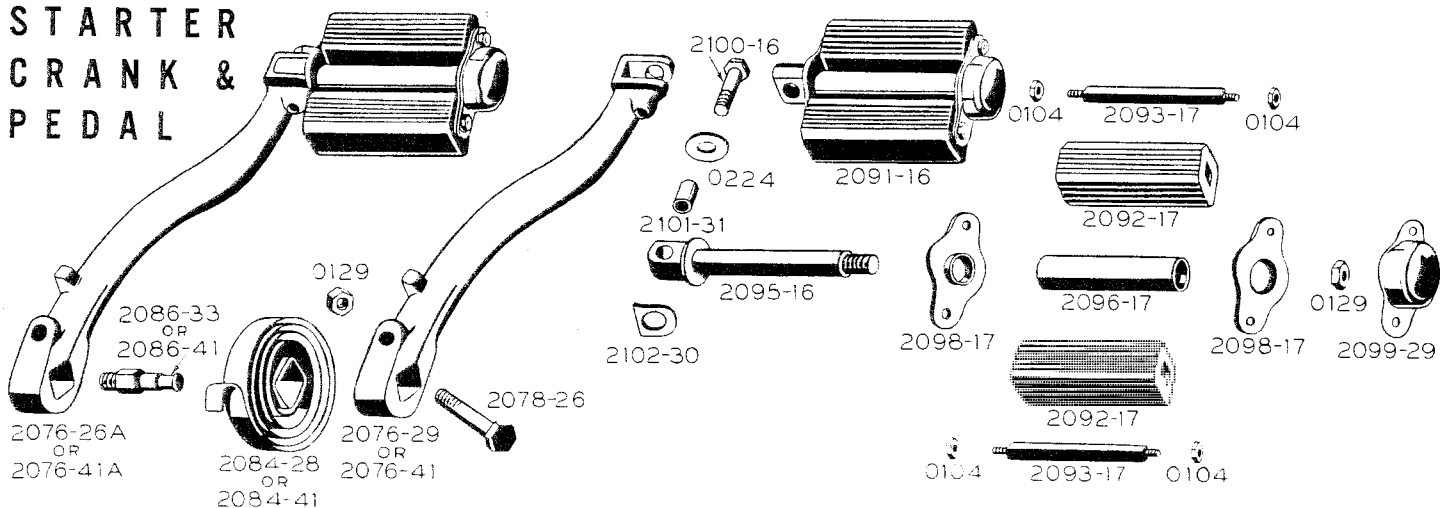
GROUP 4707 STARTER PARTS

♦2165-32	Clutch, starter.....	HDMC	1	1	1	10
♦2166-26	Spring, starter clutch.....	HDMC	1	1	1	20
♦2168-26	Spring, countershaft.....	HDMC	1	1	1	12
♦2172-26	Bolt, tripper.....	HDMC	2	2	2	4
♦2173-26	Nut, tripper bolt.....	HDMC	2	0	0	3
♦2173-41	Nut, tripper bolt.....	HDMC	0	2	2	3

GROUP 4707 STARTER CRANK AND PEDAL

♦2076-26A	Crank, starter cpt.....	HDMC	1	0	0	2
♦2076-41A	Crank, starter cpt.....	HDMC	0	1	1	2
♦2076-29	Crank, starter.....	HDMC	1	0	0	2
♦2076-41	Crank, starter.....	HDMC	0	1	1	2
♦2078-26	Bolt, crank clamp.....	HDMC	1	1	1	8
♦0129	Nut, crank bolt..... 3/8"-24 U.S.F. x 1/4" x 9/16" hexagon nut	HDMC	1	1	1	See "0" list

STARTER
CRANK &
PEDAL



Part No.	Name of Part	Unit Mfg.	Number Used On			Used For 100 Units
			40WLA	41WLA	42WLA	

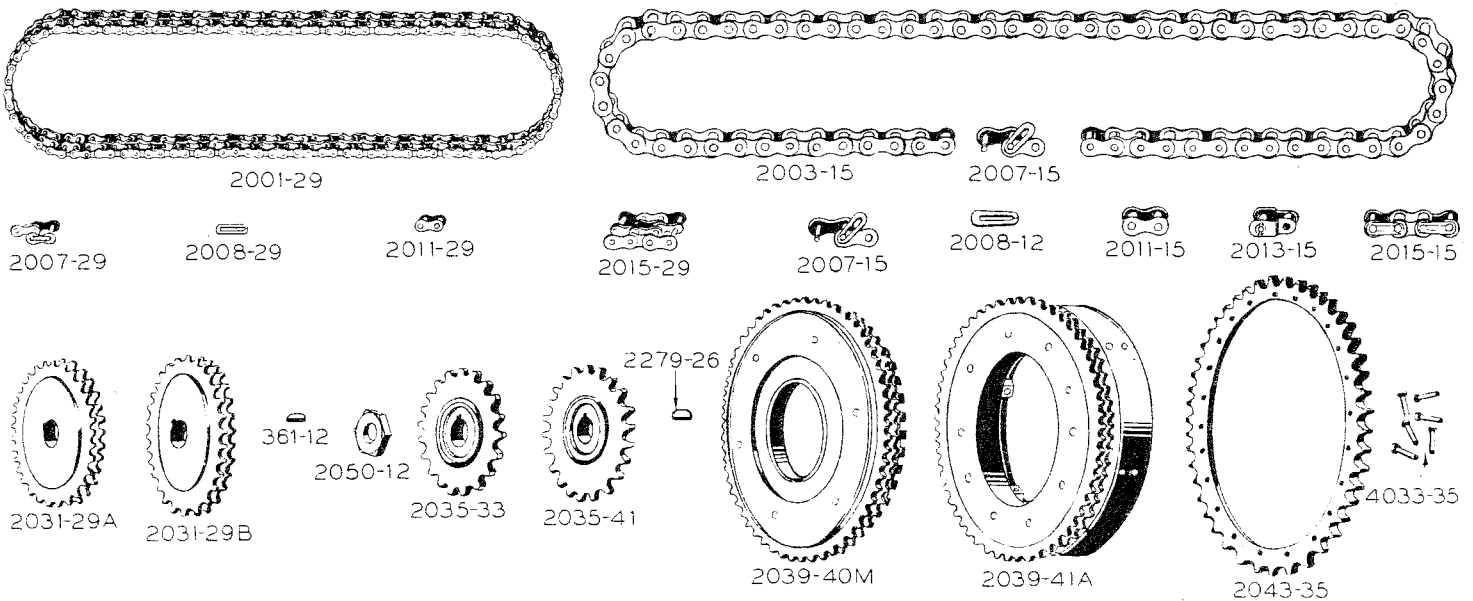
GROUP 4707 STARTER CRANK AND PEDAL - (Continued)

♦2084-28	Spring, starter crank.....	HDMC	1	0	0	100
♦2084-41	Spring, starter crank.....	HDMC	0	1	1	100
♦2086-33	Stud, starter spring.....	HDMC	1	0	0	2
♦2086-41	Stud, starter spring.....	HDMC	0	1	1	2
♦2091-16	Pedal, starter.....	HDMC	1	1	1	28
♦2092-17	Rubber, pedal.....	HDMC	2	2	2	76
♦2093-17	Rod, pedal rubber.....	HDMC	2	2	2	28
♦0104	Nut, rod.....	HDMC	4	4	4	See "0" list
	#10-24 U.S.F. x 1/8" x 3/8" hexagon nut					
♦2095-16	Pin, pedal.....	HDMC	1	1	1	4
♦2096-17	Cover, pedal pin.....	HDMC	1	1	1	2
♦0129	Nut, starter pedal pin.....	HDMC	1	1	1	See "0" list
	3/8"-24 U.S.F. x 1/4" x 9/16" hexagon nut					
♦0224	Washer, pedal pin.....	HDMC	1	1	1	See "0" list
	3/8" x 13/16" x 1/16" plain steel washer					
♦2098-17	Plate, pedal end.....	HDMC	2	2	2	8
♦2099-29	Cover, pedal end.....	HDMC	1	1	1	18
♦2100-16	Bolt, pedal pin.....	HDMC	1	1	1	27
♦2101-31	Bushing, pedal pin.....	HDMC	1	1	1	11
♦2102-30	Washer, pedal pin spring.....	HDMC	1	1	1	30

GROUPS 4903, 5706 DRIVE CHAINS AND REPAIR LINKS

♦2001-29	Chain, 100 links, front.....	Duckworth	1	1	1	35
♦2003-15	Chain, rear, 58-3/4".....	Duckworth	1	1	1	114
♦2007-15	Link, connecting, rear.....	Duckworth	1	1	1	250
	For Duckworth 171 chain.					
♦2007-29	Link, connecting, front.....	Duckworth	1	1	1	14
	For Duckworth D35 chain.					
♦2008-12	Spring, conn. link, rear.....	Duckworth	1	1	1	27
	For Duckworth 171 chain.					
♦2008-29	Spring, front conn. link.....	Duckworth	1	1	1	6
	For Duckworth D35 chain.					
♦2011-15	Block, rear roller.....	Duckworth	1	1	1	9
	For Duckworth 171 chain.					
♦2011-29	Block, front roller.....	Duckworth	1	1	1	9
	For Duckworth D35 chain.					

CHAINS & SPROCKETS



Part No.	Name of Part	Unit Mfg.	Number Used On			Used For 100 Units
			40WLA	41WLA	42WLA	
GROUPS 4903, 5706 DRIVE CHAINS AND REPAIR LINKS - (Continued)						
♦2013-15	Link, rear offset..... For Duckworth 171 chain.	Duckworth	1	1	1	10
♦2015-15	Link, double repair, rear..... For Duckworth 171 chain.	Duckworth	1	1	1	10
♦2015-29	Link, double repair, front..... For Duckworth D35 chain.	Duckworth	1	1	1	60
GROUP 4903 SPROCKETS						
♦2031-29A	Sprkt., motor - 31-T.....	HDMC	0	1	1	6
♦2031-29B	Sprkt., motor - 33-T.....	HDMC	1	0	0	6
♦361-12	Key, motor sprocket.....	HDMC	1	1	1	64
♦2050-12	Nut, motor sprocket.....	HDMC	1	1	1	18
♦2035-33	Sprocket, countershaft - 16-T.....	HDMC	1	0	0	52
♦2035-41	Sprocket, countershaft - 17-T.....	HDMC	0	1	1	52
♦2279-26	Key, countershaft sprocket.....	HDMC	2	2	2	124
2039-40M	Sprocket, clutch - 59-T.....	HDMC	1	0	0	2
♦2039-41A	Sprocket, clutch - 59-T.....	HDMC	0	1	1	2
♦2043-35	Sprocket, rear wheel - 41-T.....	HDMC	1	1	1	42
♦4033-35	Rivet, sprocket.....	HDMC	24	24	24	1400
GROUP 5200 REAR WHEEL BRAKE PARTS						
♦4026-35	Screw, wheel mounting.....	HDMC	5	5	5	140
♦4026-35S	Screw, wheel mounting (oversize)...	HDMC	5	5	5	55
4029-37AN	Brake, rear.....	HDMC	1	0	0	1
4029-41N	Brake, rear.....	HDMC	0	1	1	1
4032-37N	Shell and sprkt., brake.....	HDMC	1	0	0	2
4032-37AN	Shell and hub, less sprkt.....	HDMC	1	0	0	2
4032-41N	Shell and sprkt., rear.....	HDMC	0	1	1	2
4032-41AN	Shell and hub, less sprkt.....	HDMC	0	1	1	1
♦4033-35	Rivet, brake shell.....	HDMC	24	24	24	1000
♦4034-35	Ring, brake shell.....	HDMC	1	1	1	5
♦4035-37	Dowel, brake hub.....	HDMC	5	5	5	23
4036-37AN	Cover, brake side.....	HDMC	1	1	1	2
♦4111-31	Shoe, cpt. brake, upper.....	HDMC	2	0	0	18
♦4112-31	Shoe, cpt. brake, lower.....	HDMC	2	0	0	18
♦4038-41	Shoe, cpt. brake, upper.....	HDMC	0	1	1	18
♦4039-41	Shoe, cpt. brake, lower.....	HDMC	0	1	1	18
♦4046-31	Rivet, brake lining.....	HDMC	26	26	26	100
♦4114-35	Lining, set rear brake.....	HDMC	1	0	0	37
♦4114-41	Lining, set rear brake.....	HDMC	0	1	1	25
♦4125-28A	Spring, brake.....	HDMC	2	2	2	58
♦4054-35	Shaft, brake operating.....	HDMC	1	1	1	5
♦0129	Nut, operating shaft..... 3/8"-24 U.S.F. x 1/4" x 9/16" hexagon nut	HDMC	1	1	1	See "0" list
♦4055-35	Washer, spring shaft.....	HDMC	1	1	1	4
♦4056-35	Lever, brake operating.....	HDMC	1	0	0	1
♦4056-41	Lever, brake operating.....	HDMC	0	1	1	1
♦4118-35	Stud, brake shoe pivot.....	HDMC	1	0	0	1
♦4058-41	Stud, brake shoe pivot.....	HDMC	0	1	1	1
♦4119-35	Plate, pivot stud.....	HDMC	1	1	1	3
♦0127	Nut, pivot stud..... 3/8"-24 U.S.F. x 1/4" x 9/16" hexagon nut	HDMC	1	1	1	See "0" list
♦4065-35	Rod, rear brake.....	HDMC	1	1	1	9
♦0117	Nut, rear brake rod..... 5/16"-24 U.S.F. x 17/64" x 1/2" hexagon nut	HDMC	2	2	2	See "0" list
♦4067-30	Clevis, rear brake rod.....	HDMC	1	1	1	8
♦2423-30	Pin, brake rod clevis.....	HDMC	1	1	1	94
♦0207	Washer, clevis pin..... 1/4" x 7/16 .035" plain steel washer	HDMC	1	1	1	See "0" list
♦0212	Washer, brake rod..... 5/16" x 9/16" x 1/32" plain steel washer	HDMC	1	1	1	See "0" list
♦4037-35	Stud, brake arm anchor.....	HDMC	1	1	1	2

GROUPS 5200, 5300

Part No.	Name of Part	Unit Mfg.	Number Used On			Used For 100 Units
			40WLA	41WLA	42WLA	

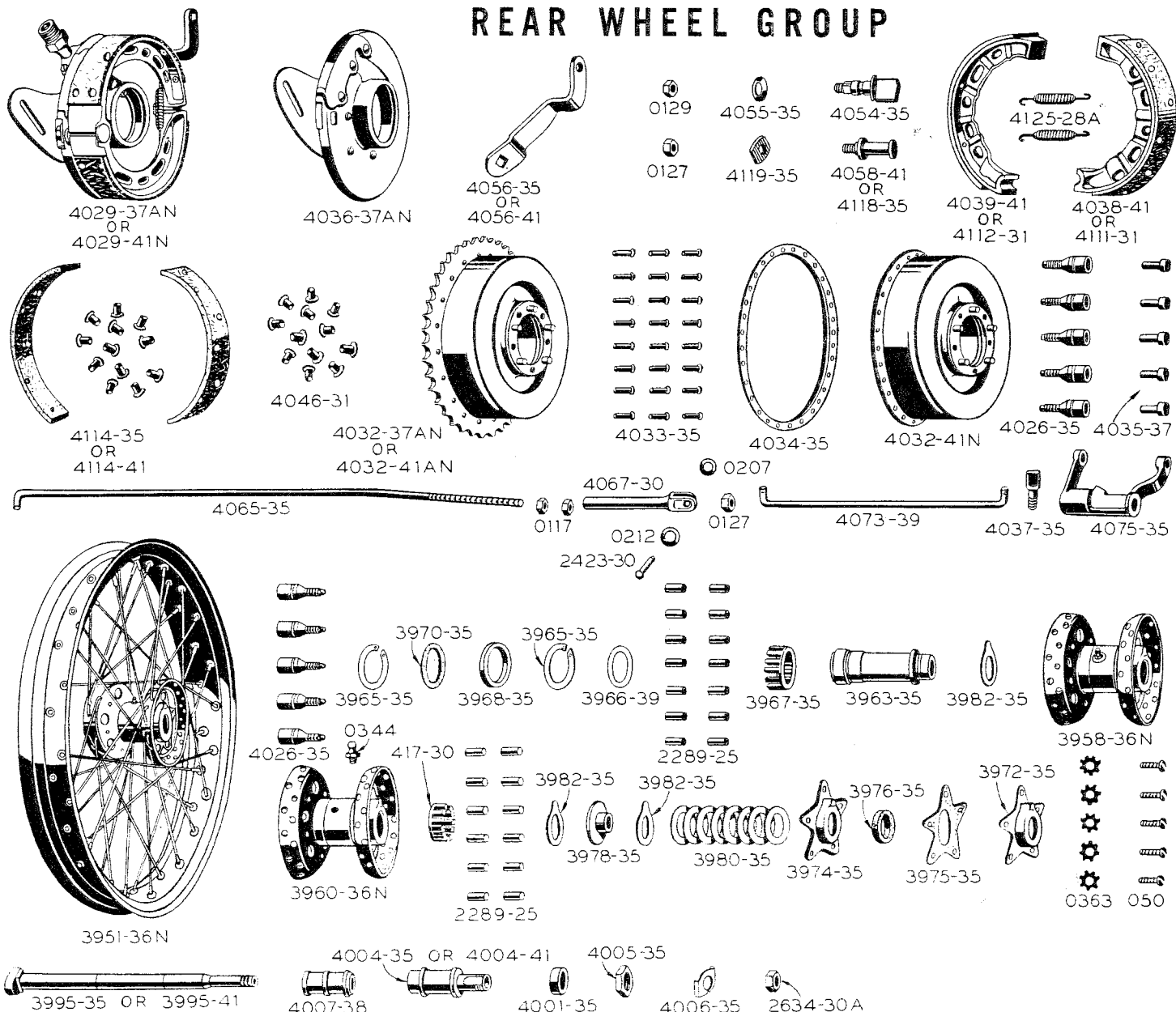
GROUP 5200 REAR WHEEL BRAKE PARTS - (Continued)

♦0127	Nut, anchor stud..... 3/8"-24 U.S.F. x 2 1/64" x 9/16" hexagon nut	HDMC	1	1	1	See "0" list
♦4073-39	Rod, foot pedal brake.....	HDMC	1	1	1	4
♦4075-35	Shaft, brake crossover.....	HDMC	1	1	1	1

GROUP 5300 REAR WHEEL AND PARTS

3951-36N	Wheel, cpt. less tire.....	HDMC	1	1	1	8
3958-36N	Hub, complete.....	HDMC	1	1	1	2
3960-36N	Shell, hub only.....	HDMC	1	1	1	4
♦3963-35	Sleeve, roller bearing.....	HDMC	1	1	1	7
♦3965-35	Ring, lock retaining.....	HDMC	2	2	2	4
♦3966-39	Washer, brake thrust.....	HDMC	1	1	1	3
♦3967-35	Retainer, roller large.....	HDMC	1	1	1	9
♦2289-25	Roller.....	HDMC	14	14	14	200
♦3968-35	Washer, sprocket side.....	HDMC	1	1	1	9

REAR WHEEL GROUP



Part No.	Name of Part	Unit Mfg.	Number Used On			Used For 100 Units
			40WLA	41WLA	42WLA	

GROUP 5300 REAR WHEEL AND PARTS - (Continued)

♦3970-35	Retainer, cork washer.....	HDMC	1	1	1	4
♦3972-35	Cover, outer bearing.....	HDMC	1	1	1	3
♦050	Screw, outer cover.....	HDMC	5	5	5	See "0" list
	1/4"-24 U.S.F. x 7/16" round head screw					
♦0363	Washer, outer cover screw.....	HDMC	5	5	5	See "0" list
	#14 x 1/4" internal tooth shakeproof washer					
♦3974-35	Cover, inner bearing.....	HDMC	1	1	1	2
♦3975-35	Gasket, inner cover.....	HDMC	1	1	1	7
♦3976-35	Washer, small-cork.....	HDMC	1	1	1	10
♦3978-35	Sleeve, hub thrust.....	HDMC	1	1	1	3
♦3980-35	Shims, thrust adj. .002".....	HDMC	7-9	7-9	7-9	22
♦3982-35	Washer, thick thrust.....	HDMC	2	2	2	9
♦417-30	Retainer, small bearing.....	HDMC	1	1	1	7
♦2289-25	Roller, small.....	HDMC	12	12	12	150
♦4026-35	Screw, wheel mounting.....	HDMC	5	5	5	220
♦4026-35S	Screw, wheel mounting (oversize)....	HDMC	5	5	5	25

GROUP 5300 REAR AXLE AND FITTINGS

♦3995-35	Axle, rear.....	HDMC	1	0	0	2
♦3995-41	Axle, rear.....	HDMC	0	1	1	2
♦2634-30A	Nut, rear axle.....	HDMC	1	1	1	10
♦4001-35	Spacer, rear axle.....	HDMC	1	1	1	3
♦4006-35	Washer, axle nut lock.....	HDMC	1	1	1	11
♦4004-35	Sleeve, axle.....	HDMC	1	0	0	3
♦4004-41	Sleeve, axle.....	HDMC	0	1	1	3
♦4005-35	Nut, axle sleeve.....	HDMC	1	1	1	16
♦4007-38	Spacer, axle.....	HDMC	1	1	1	2

GROUP 5300 RIMS AND SPOKES

3940-35N	Rim, 18", rear.....	HDMC	1	1	1	10
3941-30N	Rim, 18", front.....	HDMC	1	1	1	6
3943-30N	Spoke, front wheel, 8-3/8".....	HDMC	20	20	20	300
3945-30N	Spoke, front brake, 5-5/16".....	HDMC	20	20	20	300
3943-36N	Spoke, rear.....	HDMC	40	40	40	760
3947-16N	Nipple, front wheel.....	HDMC	40	40	40	400
3947-29N	Nipple, rear.....	HDMC	40	40	40	900

GROUP 5300 FRONT WHEEL AND PARTS

3901-30N	Wheel and brake shell, front.....	HDMC	1	1	1	2
3906-30N	Hub and brake shell, front.....	HDMC	1	1	1	2
3909-30N	Shell, front hub.....	HDMC	1	1	1	0
♦0344	Fitting, grease.....	HDMC	1	1	1	See "0" list
♦3910-30	Axle, front.....	HDMC	1	1	1	31
♦3910-37	Nut, front axle.....	HDMC	2	2	2	14
♦3921-30	Sleeve, front axle.....	HDMC	1	1	1	8
♦3923-30	Cone, front hub.....	HDMC	1	1	1	9
♦3925-30	Ring, spring, for cone.....	HDMC	2	2	2	5
♦0282	Ball, front hub.....	HDMC	26	26	26	See "0" list
	5/16" steel ball					
♦3926-30	Washer, cone lock.....	HDMC	1	1	1	9
♦3929-30	Nut, cone lock.....	HDMC	1	1	1	4
♦3932-30	Guard, left inner dirt.....	HDMC	1	1	1	1
♦3935-30	Flange, for spokes, right.....	HDMC	1	1	1	0
♦0308	Rivet, brake shell.....	HDMC	10	10	10	See "0" list
	3/16" x 1/2" round head rivet					

GROUP 5300 FRONT BRAKE PARTS

4108-31AN	Cover, brake side.....	HDMC	1	0	0	2
4108-41N	Cover, brake side.....	HDMC	0	1	1	2
4110-30N	Shell, front brake.....	HDMC	1	1	1	2

GROUP 5300

Part No.	Name of Part	Unit Mfg.	Number Used On			Used For 100 Units
			40WLA	41WLA	42WLA	

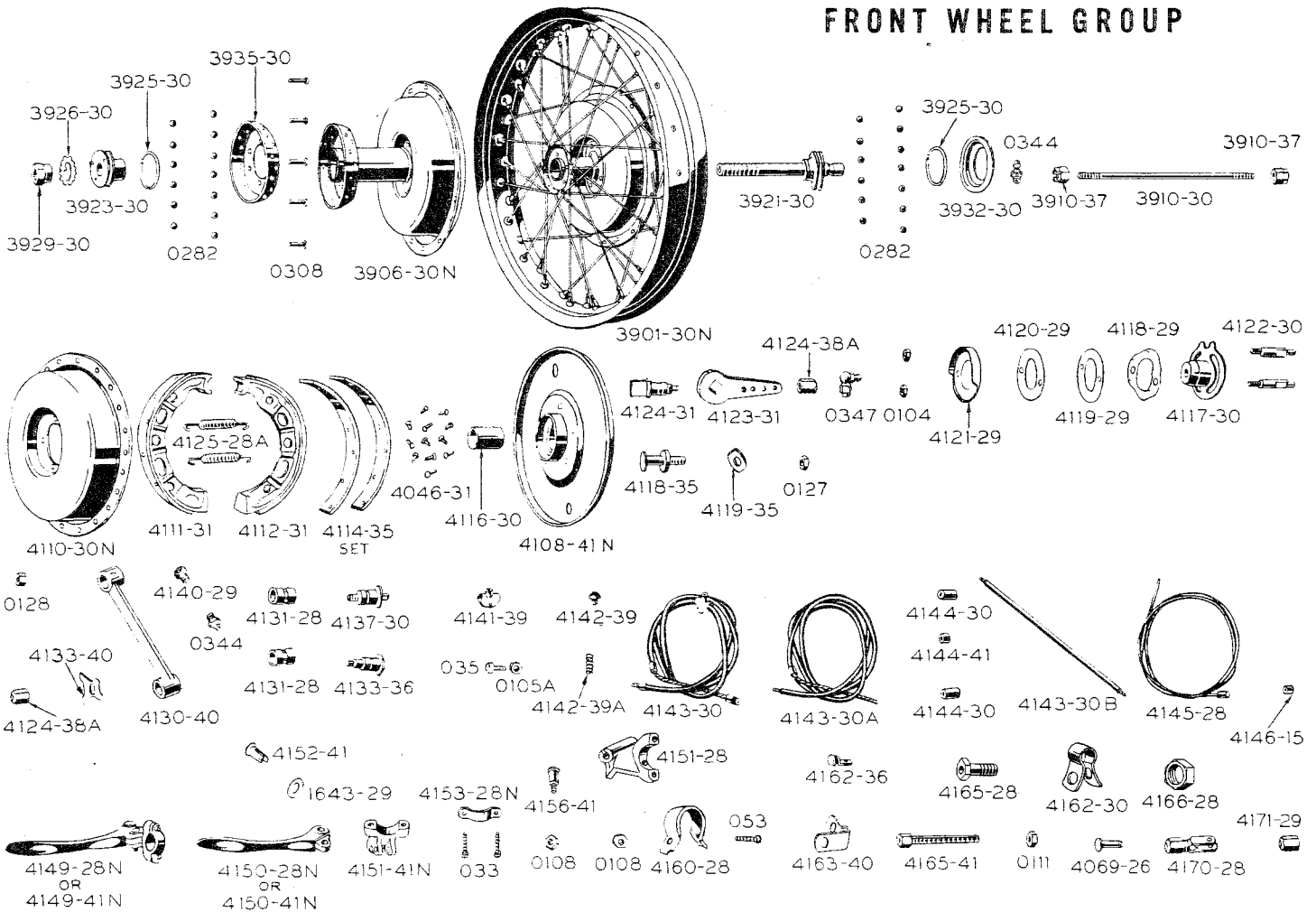
GROUP 5300 FRONT BRAKE PARTS - (Continued)

◆4111-31	Shoe, cpt. brake, upper.....	HDMC	2	1	1	5
◆4112-31	Shoe, cpt. brake, lower.....	HDMC	2	1	1	5
◆4046-31	Rivet, brake lining.....	HDMC	26	26	26	126
◆4114-35	Lining, set front brake.....	HDMC	1	1	1	37
◆4116-30	Bushing, side cover.....	HDMC	1	1	1	4
◆4117-30	Plate, center, stabilizer.....	HDMC	1	1	1	5
◆4118-29	Washer, spring, stabilizer.....	HDMC	1	1	1	8
◆4119-29	Washer, inner, stabilizer.....	HDMC	1	1	1	12
◆4120-29	Washer, outer, stabilizer.....	HDMC	1	1	1	12
◆4121-29	Cover, stabilizer.....	HDMC	1	1	1	4
◆4122-30	Stud, stabilizer collar.....	HDMC	2	2	2	10
◆0104	Nut, stabilizer stud.....	HDMC	2	2	2	See "O" list
	#10-24 U.S.F. x 1/8" x 3/8" hexagon nut					
◆4118-35	Stud, pivot.....	HDMC	1	1	1	1
◆4119-35	Plate, pivot stud.....	HDMC	1	1	1	1
◆0127	Nut, pivot stud.....	HDMC	1	1	1	See "O" list
	3/8"-24 U.S.F. x 21/64" x 9/16" hexagon nut					
◆4123-31	Lever, brake operating.....	HDMC	1	1	1	1
◆4124-31	Stud, brake operating.....	HDMC	1	1	1	1
◆4124-38A	Nipple, stud grease.....	HDMC	1	1	1	1
◆4125-28A	Spring, brake shoe.....	HDMC	2	2	2	20

GROUP 5300 FRONT BRAKE CONTROL PARTS

◆4130-40	Shackle, front brake.....	HDMC	1	1	1	2
◆4131-28	Bushing, brake shackle.....	HDMC	2	2	2	24

FRONT WHEEL GROUP



Part No.	Name of Part	Unit Mfg.	Number Used On			Used For 100 Units
			40WLA	41WLA	42WLA	
GROUP 5300 FRONT BRAKE CONTROL PARTS - (Continued)						
♦4133-36	Stud, brake shackle.....	HDMC	1	1	1	20
♦4133-40	Washer, fork stud lock.....	HDMC	1	1	1	5
♦4137-30	Stud, shackle band.....	HDMC	1	1	1	10
♦0128	Nut, fork stud.....	HDMC	1	1	1	See "0" list
	3/8"-24 U.S.F. x 15/32" x 9/16" hexagon nut					
♦0344	Nipple, grease.....	HDMC	1	1	1	See "0" list
♦4140-29	Extension, nipple.....	HDMC	1	1	1	3
♦4141-39	Body, control coil oil cup.....	HDMC	1	1	1	1
♦4142-39	Plunger, oil cup.....	HDMC	1	1	1	1
♦4142-39A	Spring, oil cup.....	HDMC	1	1	1	1
♦035	Screw, oil cup body.....	HDMC	1	1	1	See "0" list
	#10-32 x 3/8" fillister head screw.					
♦0105A	Nut, body screw.....	HDMC	1	1	1	See "0" list
	#10-32 x 1/8" x 3/8" hexagon nut.					
♦4143-30	Coil, control.....	HDMC	1	1	1	40
♦4143-30A	Coil section, 38-1/4".....	HDMC	1	1	1	3
♦4143-30B	Coil section, 10".....	HDMC	1	1	1	1
♦4144-30	Ferrule, control coil.....	HDMC	2	2	2	6
♦4144-30A	Nut, washer packing.....	HDMC	1	0	0	1
♦4144-30B	Washer, felt.....	HDMC	1	0	0	1
♦4144-41	Washer, felt.....	HDMC	0	1	1	1
♦4145-28	Wire, control.....	HDMC	1	1	1	240
♦4146-15	End, control wire.....	HDMC	1	1	1	14
4149-28N	Lever, complete hand.....	HDMC	1	0	0	9
4149-41N	Lever, complete hand.....	HDMC	0	1	1	9
4150-28N	Lever, hand.....	HDMC	1	0	0	3
4150-41N	Lever, hand.....	HDMC	0	1	1	3
♦4151-28	Bracket, hand lever.....	HDMC	1	0	0	6
4151-41N	Bracket, hand lever.....	HDMC	0	1	1	6
♦4152-41	Bushing, hand lever.....	HDMC	0	1	1	6
4153-28N	Clamp, hand lever bkt.....	HDMC	1	1	1	18
♦033	Screw, bracket clamp.....	HDMC	0	2	2	See "0" list
	#10-24 x 3/4" fillister head screw.					
♦4154-28	Screw, bracket clamp.....	HDMC	1	0	0	71
♦032	Screw, bracket clamp.....	HDMC	1	0	0	See "0" list
	#10-24 x 5/8" fillister head screw.					
♦4156-28	Screw, hand lever pivot.....	HDMC	1	0	0	20
♦4156-41	Screw, hand lever pivot.....	HDMC	0	1	1	28
♦4157-28	Washer, pivot screw.....	HDMC	1	0	0	30
♦4160-28	Clip, handlebar.....	HDMC	1	1	1	5
♦053	Bolt, handlebar clip.....	HDMC	1	1	1	See "0" list
	1/4"-24 U.S.F. x 3/4" round head screw.					
♦0108	Nut, clip bolt.....		1	1	1	See "0" list
	1/4"-24 U.S.F. x 5/32" x 7/16" hexagon nut					
♦4162-30	Clip, control coil.....	HDMC	1	1	1	1
♦4162-36	Clip, control coil.....	HDMC	1	1	1	20
♦4163-40	Clamp, control coil.....	HDMC	1	1	1	2
♦4165-28	Sleeve, control coil adj.....	HDMC	1	0	0	10
♦4165-41	Screw, control coil adj.....	HDMC	0	1	1	10
♦4166-28	Nut, adjusting sleeve.....	HDMC	1	0	0	10
♦0111	Nut, adjusting screw.....	HDMC	0	1	1	See "0" list
	5/16"-18 U.S.S. x 1/4" x 1/2" hexagon nut					
♦4170-28	Connection, control wire.....	HDMC	1	1	1	10
♦4171-29	Nut, conn. clamping.....	HDMC	1	1	1	10
♦4069-26	Pin, lower connection.....	HDMC	1	1	1	24

GROUP 5404 HANDLEBAR AND CONTROLS

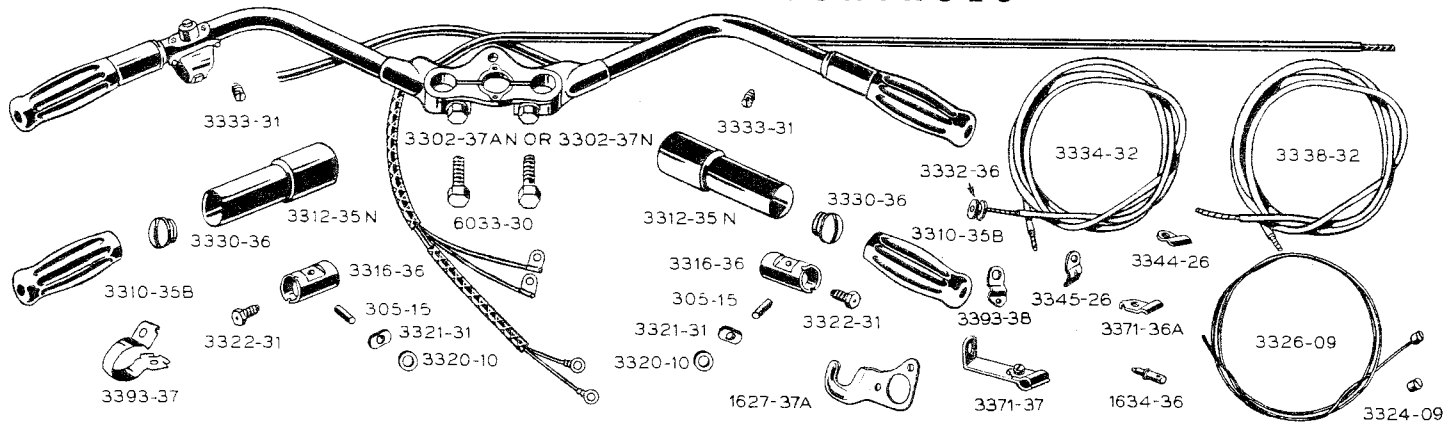
3302-37AN	Handlebar, cpt. (short).....	HDMC	1	1	1	2
3302-37N	Handlebar, cpt. (long).....	HDMC	1	1	1	2
3307-36AN	Handlebar, bare (short).....	HDMC	1	1	1	2
3307-36N	Handlebar, bare (long).....	HDMC	1	1	1	2

GROUPS 5404, 5406

Part No.	Name of Part	Unit Mfg.	Number Used On			Used For 100 Units
			40WLA	41WLA	42WLA	

GROUP 5404 HANDLEBAR AND CONTROLS - (Continued)

HANDLEBAR & CONTROLS



◆6033-30	Bolt, handlebar.....	HDMC	2	2	2	6
◆3310-35B	Grip, rubber.....	HDMC	2	2	2	250
3312-35N	Spiral.....	HDMC	2	2	2	5
◆3316-36	Plunger.....	HDMC	2	2	2	4
◆305-15	Pin, roller.....	HDMC	2	2	2	46
◆3320-10	Roller, plain.....	HDMC	2	2	2	44
◆3321-31	Block, roller.....	HDMC	2	2	2	5
◆3322-31	Screw, wire fastening.....	HDMC	2	2	2	4
◆3324-09	End, control wire.....	HDMC	2	2	2	4
◆3326-09	Wire, control.....	HDMC	2	2	2	84
◆3330-36	Nut, handlebar end.....	HDMC	2	2	2	10
◆3332-36	Plug, control coil.....	HDMC	2	2	2	4
◆3333-31	Screw, plug set.....	HDMC	2	2	2	4
◆3334-32	Coil, control and plug.....	HDMC	2	2	2	14
◆3338-32	Coil, control only.....	HDMC	2	2	2	4
◆3344-26	Clamp, control coil, left.....	HDMC	1	1	1	5
◆3345-26	Clamp, control coil, right.....	HDMC	1	1	0	2
◆035	Screw, control coil clamp.....	HDMC	2	2	2	See "0" list
	#10-32 x 3/8" fillister head screw.					
◆3370-36	Connection, carb. control.....	HDMC	1	1	1	8
◆3371-36A	Clamp, carb. control.....	HDMC	1	1	1	2
◆3371-37	Bracket, carb. control.....	HDMC	1	1	1	2
◆1627-37A	Bracket, timer control.....	HDMC	1	1	1	1
◆3393-37	Clamp, timer control frame.....	HDMC	1	1	1	1
◆3393-38	Clamp, timer control cyl.....	HDMC	1	1	0	3
◆1634-36	Stud, timer control conn.....	HDMC	1	1	1	1

GROUP 5406 FRONT FORKS AND FITTINGS

2602-40M	Forks, complete, set.....	HDMC	1	1	1	3
2605-40M	Fork, rigid - See note following.....	HDMC	1	1	0	3
2607-40M	Fork, spring - See note following....	HDMC	1	1	0	3

Note:- When either fork (2605-40M Rigid, or 2607-40M Spring) is requested to repair a 1940 or 1941 WLA Model, replace with the following three parts. These part numbers provide the necessary change-over to install the 1942 style shorter forks on previous models:-

		1	2605-40N	Fork, rigid				
	ORDER	1	2607-40N	Fork, spring				
		1	4857-36N	Bracket, lower, horn				
2605-40N	Fork, rigid.....	HDMC	0	0	1	1		
2607-40N	Fork, spring.....	HDMC	0	0	1	1		
◆2618-30A	Spring, upper.....	HDMC	2	2	2	10		
◆2620-37	Spring, cushion.....	HDMC	2	2	2	16		
◆2622-30	Spring, bumper (3-1/8" long).....	HDMC	2	2	2	5		

Part No.	Name of Part	Unit Mfg.	Number Used On			Used For 100 Units
			40WLA	41WLA	42WLA	

GROUP 5406 FRONT FORKS AND FITTINGS - (Continued)

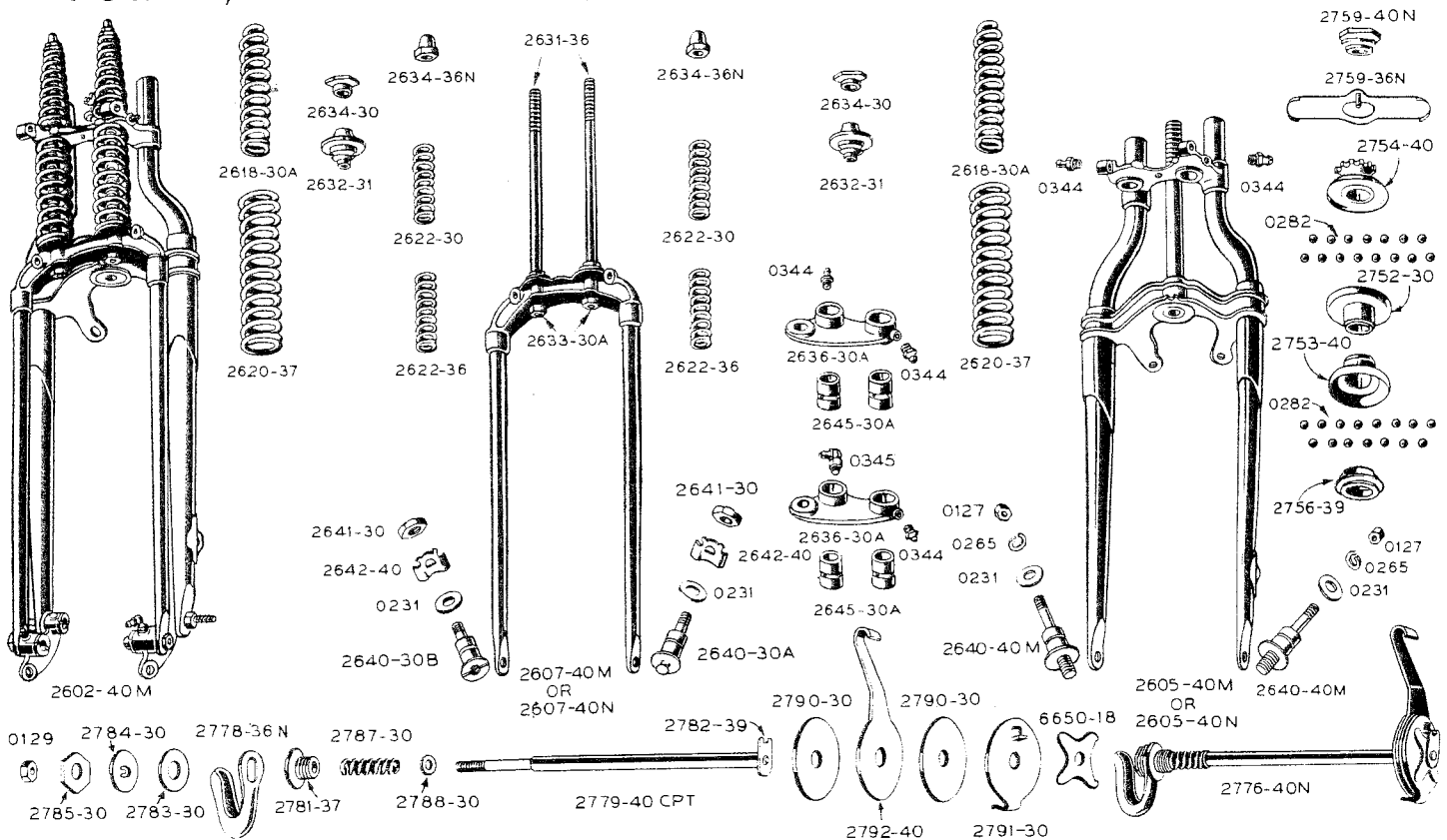
♦2622-36	Spring, buffer.....	HDMC	2	2	2	5
♦2631-36	Rod, spring.....	HDMC	2	2	2	5
♦2632-31	Bushing, spring rod.....	HDMC	2	2	2	6
♦2633-30A	Nut, spring rod, bottom end.....	HDMC	2	2	2	5
♦2634-30	Nut, spring rod, flat.....	HDMC	2	2	2	2
2634-36N	Nut, spring rod, acorn.....	HDMC	2	2	2	5
♦2636-30A	Plate, rocker.....	HDMC	2	2	2	16
♦2640-30A	Stud, left front, rocker.....	HDMC	1	1	1	50
♦2640-30B	Stud, right front, rocker.....	HDMC	1	1	1	50
2640-40M	Stud, rear rocker plate.....	HDMC	2	2	2	100
♦2642-40	Lock, stud nut.....	HDMC	2	2	2	28
♦2641-30	Nut, rocker stud, large.....	HDMC	2	2	2	100
♦0127	Nut, rocker stud.....	HDMC	2	2	2	See "0" list
	3/8"-24 U.S.F. x 21/64" x 9/16" hexagon nut					
♦2644-30	Nut, rear stud, spacer.....	HDMC	2	2	2	4
♦2645-30A	Bushing, rocker plate.....	HDMC	4	4	4	150
♦0344	Fitting, grease, straight.....	HDMC	5	5	5	See "0" list
♦0345	Fitting, grease, angle.....	HDMC	1	1	1	See "0" list
♦0231	Washer, rocker stud, plain.....	HDMC	4	4	4	See "0" list
	7/16" x 1-1/8" x 3/32" plain steel washer					

GROUP 5406

FRAME HEAD BEARINGS

♦2752-30	Cup, head bearing.....	HDMC	2	2	2	30
♦2753-40	Guard, cone bearing.....	HDMC	1	1	1	1
♦2754-40	Cone, upper.....	HDMC	1	1	1	14
♦2756-39	Cone, lower.....	HDMC	1	1	1	23

FORKS, FRAME HEAD BEARINGS & STEERING DAMPER



GROUP 5406, 5506

Part No.	Name of Part	Unit Mfg.	Number Used On			Used For 100 Units
			40WLA	41WLA	42WLA	

GROUP 5406 FRAME HEAD BEARINGS - (Continued)

2759-36N	Plate, upper cone locking.....	HDMC	1	1	1	2
2759-40N	Nut, cone clamping.....	HDMC	1	1	1	2
♦0282	Ball, head bearing..... 5/16" steel ball	HDMC	30	30	30	See "0" list

GROUP 5406 STEERING DAMPER AND PARTS

2776-40N	Damper, steering cpt.....	HDMC	1	1	1	2
2778-36N	Lever, steering damper.....	HDMC	1	1	1	2
♦2779-40	Plate, rod and friction.....	HDMC	1	1	1	1
♦2781-37	Screw, steering damper.....	HDMC	1	1	1	1
♦2782-39	Washer, steering damper rod.....	HDMC	1	1	1	1
♦2783-30	Washer, steering damper plain.....	HDMC	1	1	1	1
♦2784-30	Washer, adjusting.....	HDMC	1	1	1	1
♦6650-18	Washer, spider friction.....	HDMC	1	1	1	2
♦2785-30	Nut, adjusting.....	HDMC	1	1	1	1
♦0129	Nut, rod..... 3/8"-24 U.S.F. x 1/4" x 9/16" hexagon nut	HDMC	1	1	1	See "0" list
♦2787-30	Spring, release.....	HDMC	1	1	1	1
♦2788-30	Washer, release spring.....	HDMC	1	1	1	2
♦2790-30	Washer, fibre friction.....	HDMC	2	2	2	3
♦2791-30	Disc, steel.....	HDMC	1	1	1	1
♦2792-40	Bracket, frame head.....	HDMC	1	1	1	1

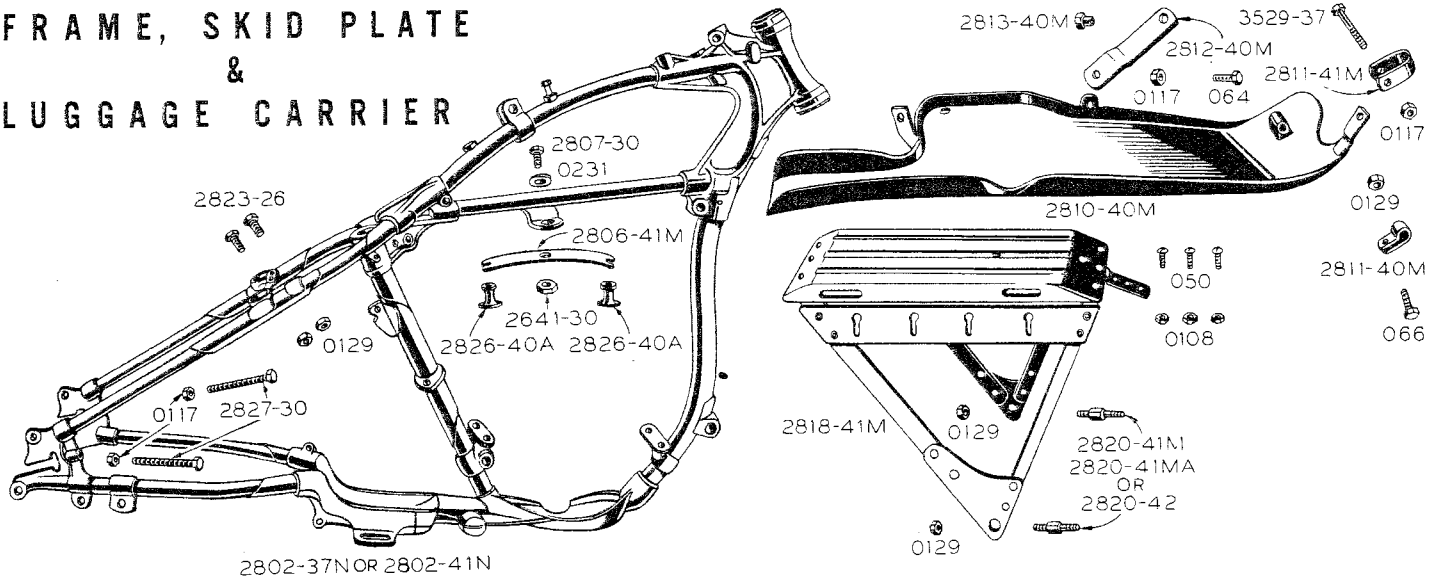
GROUP 5506 FRAME AND FITTINGS

2802-37N	Frame.....	HDMC	1	0	0	1
2802-41N	Frame.....	HDMC	0	1	1	1
2806-40M	Bracket, cylinder.....	HDMC	1	1	1	2
♦2806-40A	Spacer, cylinder brkt.....	HDMC	2	2	2	3
♦2807-30	Bolt, cylinder bracket.....	HDMC	1	1	1	23
♦2641-30	Nut, bracket bolt.....	HDMC	1	1	1	30
♦0231	Washer, cylinder bracket bolt..... 7/16" x 1-1/8" x 3/32" plain steel washer	HDMC	1	1	1	See "0" list
♦2823-26	Bolt, rear mdg. brace.....	HDMC	2	2	2	12
♦0129	Nut, brace bolt..... 3/8"-24 U.S.F. x 1/4" x 9/16" hexagon nut	HDMC	2	2	2	See "0" list
♦2827-30	Screw, rear axle adj.....	HDMC	2	2	2	23
♦0117	Nut, axle adjusting screw..... 5/16"-24 U.S.F. x 17/64" x 1/2" hexagon nut	HDMC	2	2	2	See "0" list
2810-40M	Plate, skid.....	HDMC	1	1	1	2
2811-40M	Clamp, right front.....	HDMC	1	1	1	2
♦066	Bolt, clamp..... 5/16"-24 U.S.F. x 1/2" hexagon head bolt	HDMC	1	1	1	See "0" list
♦0129	Nut, clamp bolt..... 3/8"-24 U.S.F. x 1/4" x 9/16" hexagon nut	HDMC	1	1	1	See "0" list
2811-40MA	Clamp, left front.....	HDMC	1	1	0	2
2811-41M	Clamp, skid plate.....	HDMC	0	0	1	2
♦3529-37	Bolt, clamp.....	HDMC	0	0	1	2
♦0117	Nut, clamp bolt..... 5/16"-24 U.S.F. x 17/64" x 1/2" hexagon nut	HDMC	0	0	1	See "0" list
2812-40M	Bracket, left support.....	HDMC	1	1	1	2
2813-40M	Nut, support bracket.....	HDMC	1	1	1	4
♦064	Bolt, skid plate..... 5/16"-24 U.S.F. x 3/4" x 1/2" hexagon head bolt	HDMC	2	2	2	See "0" list
♦0117	Nut, skid plate bolt..... 5/16"-24 U.S.F. x 17/64" x 1/2" hexagon nut	HDMC	2	2	2	See "0" list
2818-41M	Carrier, luggage.....	HDMC	0	1	1	2
♦050	Screw, luggage carrier clamp..... 1/4"-24 U.S.F. x 7/16" round head screw	HDMC	0	3	3	See "0" list
♦0108	Nut, clamp screw..... 1/4"-24 U.S.F. x 5/32" x 7/16" hex. nut	HDMC	0	3	3	See "0" list

Part No.	Name of Part	Unit Mfg.	Number Used On			Used For 100 Units
			40WLA	41WLA	42WLA	

GROUP 5506 FRAME AND FITTINGS - (Continued)

FRAME, SKID PLATE
&
LUGGAGE CARRIER



2820-41M	Stud, luggage carrier, (right).....	HDMC	0	1	0	4
2820-41MA	Stud, luggage carrier, (left).....	HDMC	0	1	0	4
♦2820-42	Stud, luggage carrier.....	HDMC	0	0	2	4
♦0129	Nut, luggage carrier stud.....	HDMC	0	2	4	See "0" list
	3/8"-24 U.S.F. x 1/4" x 9/16" hexagon nut					
♦0131	Nut, luggage carrier stud.....	HDMC	0	2	0	See "0" list
	7/16"-24 V x 1/4" x 3/4" hexagon nut					

GROUP 5701 MUDGUARD (FENDER) GROUP

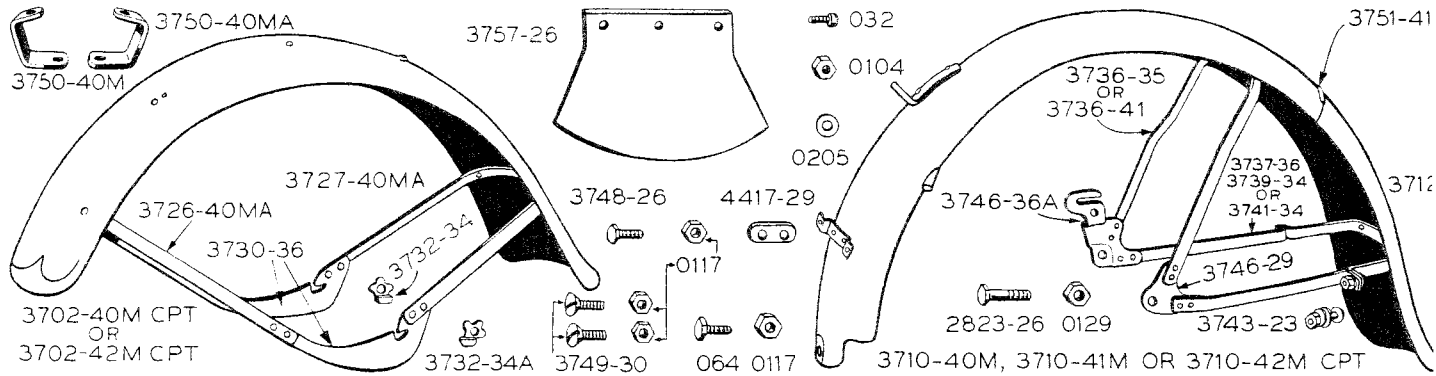
3702-40M	Mudguard, complete front.....	HDMC	1	1	To 611203	10
3702-42M	Mudguard, complete front.....	HDMC	0	0	Over 611203	5
3710-40M	Mudguard, complete rear.....	HDMC	1	0	0	4
3710-41M	Mudguard, complete rear.....	HDMC	0	1	0	4
3710-42M	Mudguard, complete rear.....	HDMC	0	0	1	4
3712-40M	End, rear mudguard.....	HDMC	1	0	0	1
3712-41M	End, rear mudguard rear.....	HDMC	0	1	0	1
3712-42M	End, rear mudguard rear.....	HDMC	0	0	1	1
3726-40M	Brace, front mudguard front.....	HDMC	1	1	1	1
3727-40M	Brace, front mudguard rear.....	HDMC	1	1	1	1
♦3730-36	Clip, mudguard brace.....	HDMC	2	2	2	1
♦3732-34	Lock, right brace clip.....	HDMC	1	1	1	21
♦3732-34A	Lock, left brace clip.....	HDMC	1	1	1	21
♦3736-35	Brace, rear mdg. top.....	HDMC	1	0	0	1
♦3736-41	Brace, rear mdg. top.....	HDMC	0	1	1	1
♦3739-34	Brace, rear mdg. end.....	HDMC	2	0	0	1
♦3737-36	Brace, rear mdg. end.....	HDMC	0	2	2	1
♦3741-34	Bracket, rear end brace.....	HDMC	1	1	1	1
♦3743-23	Bolt, brace bracket.....	HDMC	2	2	2	18
♦0308	Rivet, for braces and clips.....	HDMC	8	8	8	See "0" list
	3/16" x 9/16" round head rivet					
♦0314	Rivet, mudguards to braces.....	HDMC	10	10	10	See "0" list
	3/16" x 3/8" truss head rivet					
♦3746-36A	Clip, right, rear mdg.....	HDMC	1	1	1	1
♦3746-29	Clip, left, rear mdg.....	HDMC	1	1	1	1
♦3748-26	Bolt, rear guard support.....	HDMC	2	2	2	9
♦0117	Nut, mudguard support bolt.....	HDMC	4	4	4	See "0" list
	5/16"-24 U.S.F. x 17/64" x 1/2" hexagon nut					
♦4417-29	Plate, rear bolt.....	HDMC	1	1	1	1

GROUPS 5701, 5705

Part No.	Name of Part	Unit Mfg.	Number Used On			Used For 100 Units
			40WLA	41WLA	42WLA	

GROUP 5701 MUDGUARD (FENDER) GROUP - (Continued)

MUDGUARD GROUP



◆3749-30	Bolt, front mudguard head.....	HDMC	2	2	2	12
◆0117	Nut, front mudguard head bolt.....	HDMC	2	2	2	See "0" list
	5/16"-24 U.S.F. x 17/64" x 1/2" hexagon nut					
3750-40M	Bracket, frt. guard right.....	HDMC	1	1	0	1
3750-40MA	Bracket, frt. guard left.....	HDMC	1	1	0	1
◆3751-39	Hinge, rear mudguard.....	HDMC	1	0	0	2
3751-41M	Hinge, rear mudguard.....	HDMC	0	1	0	1
◆3751-34	Hinge, rear mudguard.....	HDMC	0	0	1	1
◆3752-30	Pin, rear mdg. hinge.....	HDMC	1	1	1	4
◆0314	Rivet, rear mudguard hinge.....	HDMC	6	6	6	See "0" list
	3/16" x 3/8" truss head rivet					
◆064	Bolt, rear mudguard lower end.....	HDMC	2	2	2	See "0" list
	5/16"-24 U.S.F. x 3/4" x 1/2" hexagon head bolt					
◆0117	Nut, rear mudguard bolt.....	HDMC	2	2	2	See "0" list
	5/16"-24 U.S.F. x 17/64" x 1/2" hexagon nut					
◆2823-26	Bolt, rear mdg. brace.....	HDMC	2	2	2	6
◆0129	Nut, rear mudguard brace bolt.....	HDMC	2	2	2	See "0" list
	3/8"-24 U.S.F. x 1/4" x 9/16" hexagon nut					
◆3757-26	Flap, front mudguard.....	HDMC	1	1	1	22
◆032	Bolt, mudguard flap.....	HDMC	3	3	3	See "0" list
	#10-24 x 5/8" fillister head screw					
◆0104	Nut, mudguard flap.....	HDMC	3	3	3	See "0" list
	#10-24 x 1/8" x 3/8" hexagon nut					
◆0205	Washer, mudguard flap.....	HDMC	3	3	3	See "0" list
	7/32" x 1/2" x 1/16" plain steel washer					

GROUP 5705 FOOTBOARD GROUP

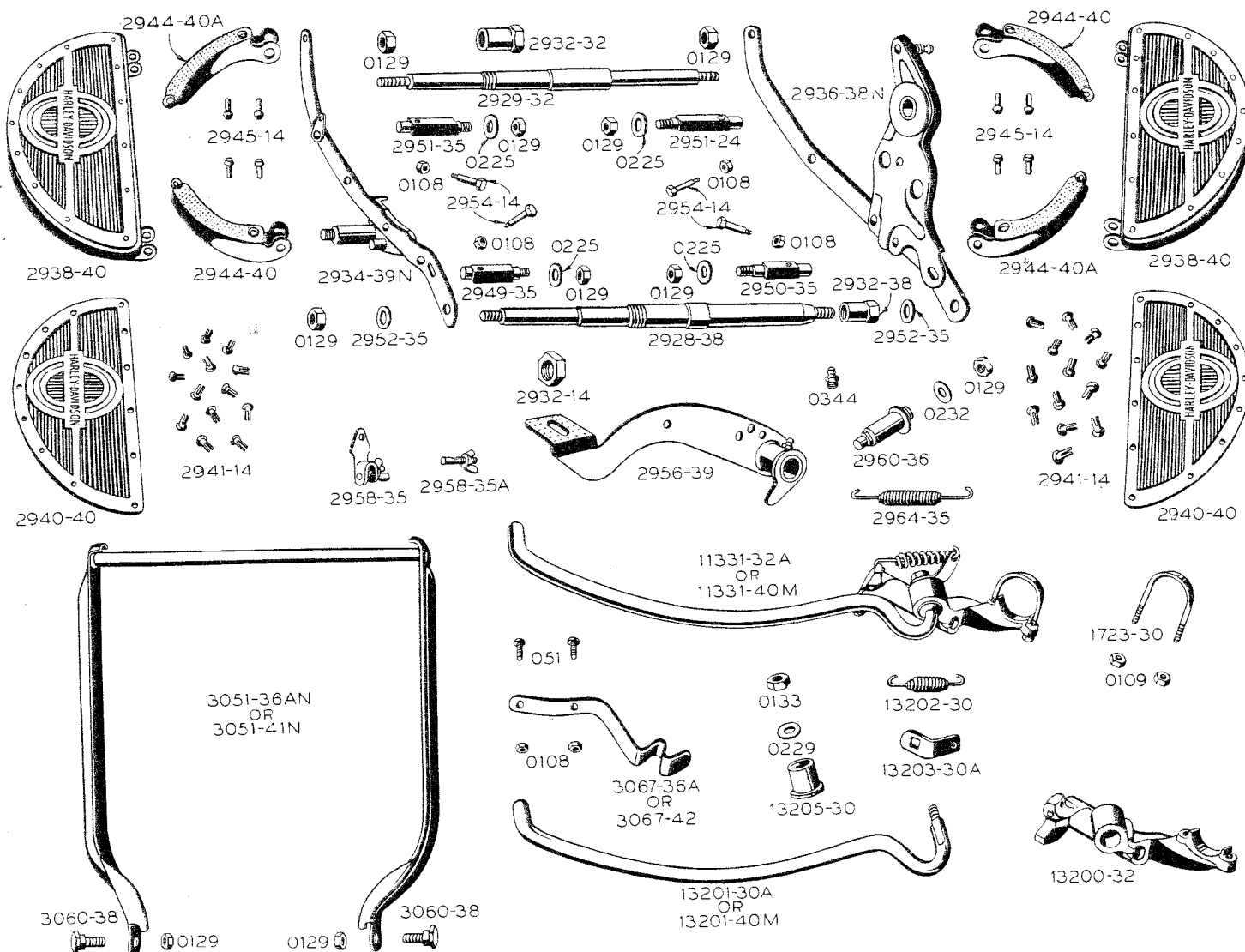
◆2928-38	Rod, front footboard.....	HDMC	1	1	1	6
◆2929-32	Rod, rear footboard.....	HDMC	0	1	1	4
◆2932-14	Nut, front rod, large.....	HDMC	1	1	1	2
◆2932-32	Nut, rear rod.....	HDMC	1	1	1	2
◆2932-38	Nut, front rod.....	HDMC	1	1	1	7
2934-39N	Sidebar, right footboard.....	HDMC	1	1	1	4
◆0344	Fitting, grease.....	HDMC	1	1	1	See "0" list
2936-38N	Sidebar, left footboard.....	HDMC	1	1	1	2
◆0129	Nut, sidebar clamp.....	HDMC	3	3	3	See "0" list
	3/8"-24 U.S.F. x 1/4" x 9/16" hexagon nut					
◆0105	Nut, footlever rod.....	HDMC	1	1	1	See "0" list
	#10-32 x 1/8" x 3/8" hexagon nut					
◆2938-40	Footboard, complete.....	HDMC	2	2	2	22
◆2940-40	Pad, footboard.....	HDMC	2	2	2	56
◆2941-14	Rivet, footboard pad.....	HDMC	26	26	26	600
◆2944-40	Hinge, footboard, right.....	HDMC	2	2	2	1

Part No.	Name of Part	Unit Mfg.	Number Used On			Used For 100 Units
			40WLA	41WLA	42WLA	

GROUP 5705 FOOTBOARD GROUP - (Continued)

♦2944-40A	Hinge, footboard, left.....	HDMC	2	2	2	1
♦2945-14	Rivet, footboard hinge.....	HDMC	8	8	8	2
♦2949-35	Stud, footboard - 3-7/32" right.....	HDMC	1	1	1	8
♦2950-35	Stud, footboard - 2-5/8" left.....	HDMC	1	1	1	9
♦2951-24	Stud, footboard - 2-15/32" left.....	HDMC	1	1	1	6
♦2951-35	Stud, footboard - 2-29/32" right....	HDMC	1	1	1	7
♦0225	Washer, footboard stud.....	HDMC	4	4	4	See "O" list
	3/8" x 13/16" x 7/64" plain steel washer					
♦2952-35	Washer, footboard spacing.....	HDMC	2	2	2	5
♦0129	Nut, footboard stud.....	HDMC	4	4	4	See "O" list
	3/8"-24 U.S.F. x 1/4" x 9/16" hexagon nut					
♦2954-14	Bolt, footboard hinge.....	HDMC	4	4	4	18
♦0108	Nut, footboard hinge bolt.....	HDMC	4	4	4	See "O" list
	1/4"-24 U.S.F. x 5/32" x 7/16" hexagon nut					
♦2956-39	Lever, footbrake.....	HDMC	1	1	1	6
♦2958-35	Lock, cpt., brake rod.....	HDMC	1	1	1	1
♦2958-35A	Stud and nut, rod lock.....	HDMC	1	1	1	1
♦2960-36	Stud, brake lever.....	HDMC	1	1	1	10

FOOTBOARD, REAR STAND & JIFFY STAND



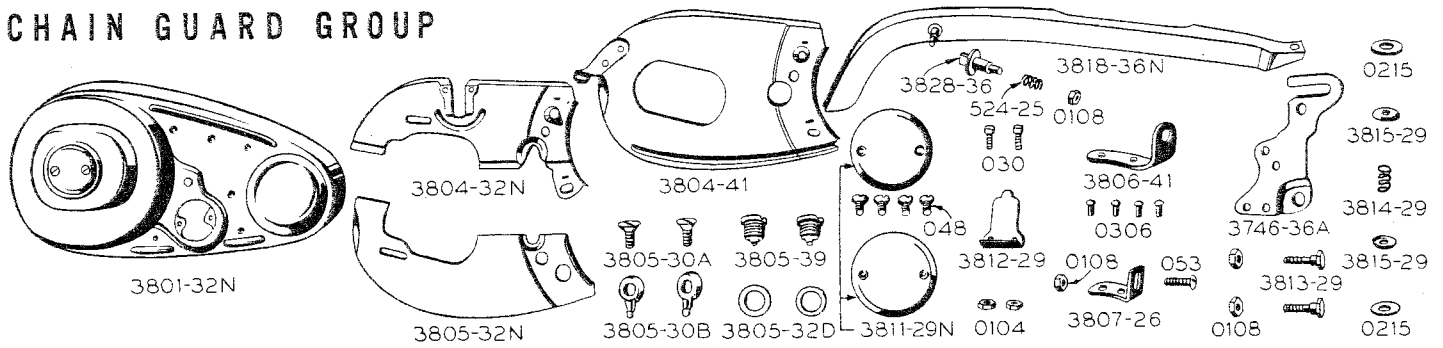
GROUPS 5705, 5706

Part No.	Name of Part	Unit Mfg.	Number Used On			Used For 100 Units
			40WLA	41WLA	42WLA	
GROUP 5705 FOOTBOARD GROUP - (Continued)						
♦0129	Nut, brake lever stud..... 3/8"-24 U.S.F. x 1/4" x 9/16" hexagon nut	HDMC	1	1	1	See "0" list
♦0232	Washer, brake stud..... 7/16" x 13/16" x .095" plain steel washer	HDMC	1	1	1	See "0" list
♦2964-35	Spring, brake lever.....	HDMC	1	1	1	28
GROUP 5705 REAR STAND GROUP						
3051-36AN	Stand, rear.....	HDMC	1	0	0	2
3051-41N	Stand, rear.....	HDMC	0	1	1	2
♦3060-38	Bolt, stand shoulder.....	HDMC	2	2	2	8
♦0129	Nut, stand shoulder bolt..... 3/8"-24 U.S.F. x 1/4" x 9/16" hexagon nut	HDMC	2	2	2	See "0" list
♦3067-36A	Catch, stand.....	HDMC	1	1	0	14
3067-42	Catch, stand.....	HDMC	0	0	1	14
♦051	Bolt, stand catch..... 1/4"-24 U.S.F. x 1/2" round head bolt	HDMC	2	2	2	See "0" list
♦0108	Nut, stand catch bolt..... 1/4"-24 U.S.F. x 5/32" x 7/16" hexagon nut	HDMC	2	2	2	See "0" list
GROUP 5705 JIFFY STAND AND PARTS						
11331-40M	Stand, complete jiffy.....	HDMC	1	1	0	4
♦11331-32A	Stand, complete jiffy.....	HDMC	0	0	1	4
♦13200-32	Bracket, leg.....	HDMC	1	1	1	1
13201-40M	Leg, jiffy stand.....	HDMC	1	1	0	4
♦13201-30A	Leg, jiffy stand.....	HDMC	0	0	1	4
♦13202-30	Spring, leg.....	HDMC	1	1	1	36
♦13203-30A	Plate, spring.....	HDMC	1	1	1	7
♦13205-30	Bushing, leg.....	HDMC	1	1	1	1
♦0133	Nut, for leg..... 7/16"-20 U.S.F. x 3/8" x 5/8" hexagon nut	HDMC	1	1	1	See "0" list
♦0229	Washer, for leg..... 7/16" x .800 x 1/16" plain steel washer	HDMC	1	1	1	See "0" list
♦1723-30	Bolt, leg.....	HDMC	1	1	1	4
♦0109	Nut, "U" bolt 1/4"-24 U.S.F. x 7/32" x 7/16" hexagon nut	HDMC	2	2	2	See "0" list
GROUP 5706 CHAIN GUARD						
3801-32N	Guard, chain outer.....	HDMC	1	1	1	3
3804-32N	Guard, inside, upper half.....	HDMC	1	0	0	4
3805-32N	Guard, inside, lower half.....	HDMC	1	0	0	4
♦3804-41	Guard, inside.....	HDMC	0	1	1	4
♦3805-30A	Screw, inner guard.....	HDMC	2	2	2	30
♦3805-30B	Lock, inner guard screw.....	HDMC	2	2	2	48
♦3805-39	Plug, inner guard screw.....	HDMC	2	2	2	1
♦3805-32D	Washer, screw plug.....	HDMC	2	2	2	1
♦3806-41	Bracket, inner guard rear.....	HDMC	0	1	1	2
♦3807-26	Bracket, outer guard rear.....	HDMC	1	1	1	2
♦0306	Rivet, for bracket..... 3/16" x 5/16" round head rivet.	HDMC	4	4	4	See "0" list
♦053	Screw, rear, front chain guard..... 1/4"-24 U.S.F. x 3/4" round head screw	HDMC	1	1	1	See "0" list
♦0108	Nut, for rear screw..... 1/4"-24 U.S.F. x 5/32" x 7/16" hexagon nut	HDMC	1	1	1	See "0" list
3811-29N	Cover, chain inspection.....	HDMC	2	2	2	3
♦048	Screw, guard cover..... #12-24 x 3/8" oval countersunk head screw	HDMC	4	4	4	See "0" list
♦3812-29	Cover, inner guard slot.....	HDMC	1	0	0	1
♦030	Screw, slot cover..... #10-24 x 3/8" fillister head screw	HDMC	2	0	0	See "0" list

Part No.	Name of Part	Unit Mfg.	Number Used On			Used For 100 Units
			40WLA	41WLA	42WLA	

GROUP 5706 CHAIN GUARD - (Continued)

CHAIN GUARD GROUP

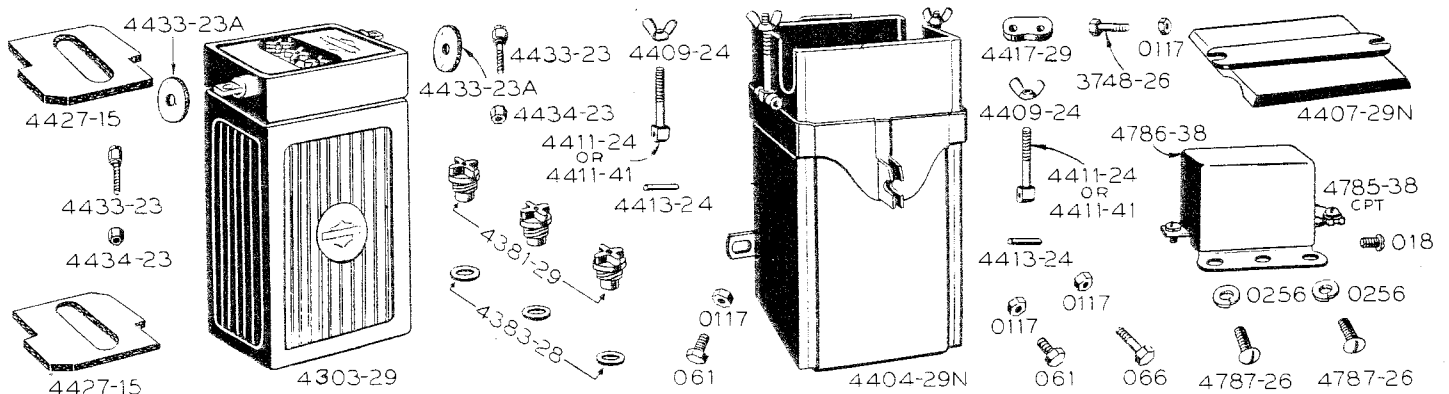


♦0104	Nut, slot cover screw.....	HDMC	2	0	0	See "0" list
	#10-24 x 1/8" x 3/8" hexagon nut					
♦3813-29	Bolt, inner guard.....	HDMC	2	0	0	12
♦0108	Nut, inner guard bolt.....	HDMC	2	0	0	See "0" list
	1/4"-24 U.S.F. x 5/32" x 7/16" hexagon nut					
♦3814-29	Spring, inner guard bolt.....	HDMC	1	1	1	12
♦3815-29	Washer, small spring.....	HDMC	2	0	0	6
♦0215	Washer, small spring.....	HDMC	2	0	0	See "0" list
	5/16" x 15/16" x .0625" plain steel washer					
3818-36N	Guard, rear chain.....	HDMC	1	1	1	10
♦524-25	Spring, rear guard front stud.....	HDMC	1	1	1	8
♦0108	Nut, rear guard front stud.....	HDMC	1	1	1	See "0" list
	1/4"-24 U.S.F. x 5/32" x 7/16" hexagon nut					
♦3746-36A	Bracket, rear chain guard.....	HDMC	1	1	1	1
♦3828-36	Stud, rear bracket.....	HDMC	1	1	1	1
♦0108	Nut, for bracket.....	HDMC	1	1	1	See "0" list
	1/4"-24 U.S.F. x 5/32" x 7/16" hexagon nut					

GROUP 5800 BATTERIES, BATTERY CASES, RELAY

♦4303-29	Battery, less box.....	HDMC	1	1	1	46
♦4381-29	Plug, battery filler.....	HDMC	3	3	3	1
♦4383-28	Washer, filler plug.....	HDMC	3	3	3	1
4404-29N	Box, for battery.....	HDMC	1	1	1	1
4407-29N	Cover, battery box.....	HDMC	1	1	1	30
♦4409-24	Nut, wing, battery cover.....	HDMC	2	2	2	23
♦4411-24	Bolt, cover clamp.....	HDMC	2	0	0	1
♦4411-41	Bolt, cover clamp.....	HDMC	0	2	2	1
♦4413-24	Pin, clamp bolt.....	HDMC	2	2	2	1
♦066	Bolt, front.....	HDMC	1	1	1	See "0" list
	5/16"-24 U.S.F. x 1" x 1/2" hexagon head bolt					

BATTERY & RELAY



GROUPS 5800, 5804

Part No.	Name of Part	Unit Mfg.	Number Used On			Used For 100 Units
			40WLA	41WLA	42WLA	
GROUP 5800 BATTERIES, BATTERY CASES, RELAY - (Continued)						
♦3748-26	Bolt, rear upper.....	HDMC	1	1	1	5
♦061	Bolt, rear lower.....	HDMC	2	2	2	See "0" list
	5/16"-24 U.S.F. x 1/2" x 1/2" hexagon head bolt					
♦0117	Nut, battery bolt.....	HDMC	4	4	4	See "0" list
	5/16"-24 U.S.F. x 17/64" x 1/2" hexagon nut					
♦4417-29	Plate, rear bolt.....	HDMC	1	1	1	1
♦4427-15	Mat, rubber.....	HDMC	2	2	2	42
♦4433-23	Screw, battery terminal.....	HDMC	2	2	2	170
♦4433-23A	Felt, battery terminal.....	HDMC	2	2	2	85
♦4434-23	Nut, terminal screw.....	HDMC	2	2	2	170
♦4785-38	Relay, complete.....	HDMC	1	1	1	20
♦4786-38	Cover, for relay.....	HDMC	1	1	1	1
♦4787-26	Screw, relay and bracket.....	HDMC	2	2	2	4
♦0108	Nut, relay mounting.....	HDMC	2	2	2	See "0" list
	1/4"-24 U.S.F. x 5/32" x 7/16" hexagon nut					
♦016	Screw, contact blade.....	HDMC	2	2	2	See "0" list
	#6-32 x 3/8" round head screw					
♦020	Screw, terminal wire.....	HDMC	3	3	3	See "0" list
	#8-32 x 1/4" fillister head screw					
GROUP 5804 SEAT POST GROUP						
♦3101-26	Bracket, seat bar.....	HDMC	1	1	1	1
♦0344	Fitting, grease.....	HDMC	1	1	1	See "0" list
♦3103-29N	Plate, seat bar.....	HDMC	1	1	To 611203	4
3103-41N	Plate, seat bar.....	HDMC	0	0	Over 611203	4
♦0318	Rivet, seat bar.....	HDMC	3	3	3	See "0" list
	1/4" x 9/16" round head rivet					
3105-30N	Bar, seat.....	HDMC	1	1	To 611203	3
3105-41N	Bar, seat.....	HDMC	0	0	Over 611203	4
♦068	Bolt, seat bar, front.....	HDMC	1	1	1	See "0" list
	5/16"-24 U.S.F. x 1"-13/16" x 1/2" hexagon head bolt					
♦0117	Nut, seat bar bolt.....	HDMC	1	1	1	See "0" list
	5/16"-24 U.S.F. x 17/64" x 1/2" hexagon nut					
♦3110-37	Bushing, seat bar (set).....	HDMC	1	1	1	3
♦3111-29	Pin, seat bar clevis.....	HDMC	1	1	0	90
♦3111-12	Pin, seat bar clevis.....	HDMC	0	0	1	90
♦3112-29	Spring, clevis pin.....	HDMC	1	1	1	30
♦3113-29	Bushing, seat post.....	HDMC	1	1	1	3
♦3115-29	Plunger, seat.....	HDMC	1	1	1	2
♦3117-29	Link, plunger.....	HDMC	1	1	1	1
♦3118-29	Rivet, plunger link.....	HDMC	1	1	1	1
♦3119-13	Bushing, plunger link.....	HDMC	1	1	1	1
♦3121-30	Plunger, assembly (150 to 230 lbs.)	HDMC	1	1	To 611203	2
♦3123-30	Plunger, assembly (130 to 150 lbs.)	HDMC	1	1	To 611203	2
3122-41M	Plunger, assembly.....	HDMC	0	0	To 611203	2
3122-42M	Plunger, assembly.....	HDMC	0	0	Over 611203	2
♦3128-29	Springs, set lower.....	HDMC	1	1	1	26
♦3128-31	Spring, cushion, flat.....	HDMC	2	2	2	40
♦3129-31	Spring, cushion.....	HDMC	1	1	1	9
♦3133-30	Spring, seat post recoil.....	HDMC	2	2	{ To 611203 Over 611203 }	4
♦186-10	Spring, seat post auxiliary (2-3/4")	HDMC	1	1	To 611203	4
♦3135-30	Spring, seat post auxiliary (3").....	HDMC	1	1	1	10
♦3137-30	Rod, seat post.....	HDMC	1	1	To 611203	2
3137-41M	Rod, seat post.....	HDMC	0	0	Over 611203	2
♦3138-31	Collar, guide.....	HDMC	2	2	2	4
♦3141-29	Nut, plunger lock.....	HDMC	1	1	1	1
♦3143-25	Nut, seat post rod.....	HDMC	1	1	1	1
♦3144-25	Nut, rod lock.....	HDMC	1	1	1	3
♦3147-29A	Nut, spring adjusting.....	HDMC	1	1	1	2
♦0129	Nut, adjusting nut lock.....	HDMC	2	2	2	See "0" list
	3/8"-24 U.S.F. x 1/4" x 9/16" hexagon nut					

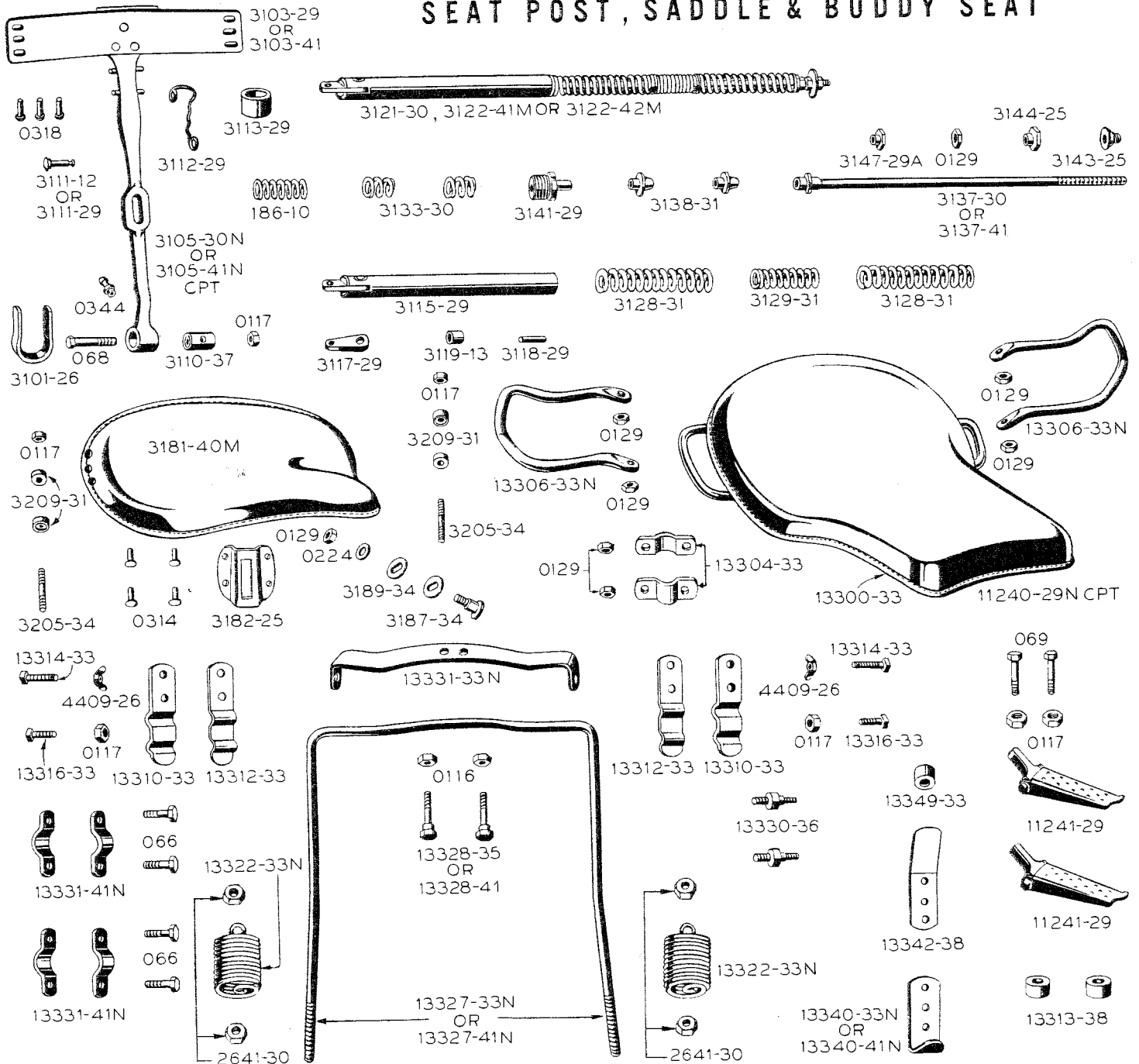
Part No.	Name of Part	Unit Mfg.	Number Used On			Used For 100 Units
			40WLA	41WLA	42WLA	

GROUP 5804

SADDLE GROUP

3181-40M	Saddle, solo.....	HDMC	1	1	1	9
♦3182-25	Pommel.....	HDMC	1	1	1	1
♦0314	Rivet, pommel.....	HDMC	4	4	4	See "O" list
	3/16" x 3/8" truss head rivet					
♦3187-34	Bolt, front saddle.....	HDMC	1	1	1	8
♦3189-34	Washer, front bolt, curved.....	HDMC	2	2	2	7
♦0129	Nut, front bolt.....	HDMC	1	1	1	See "O" list
	3/8"-24 U.S.F. x 1/4" x 9/16" hexagon nut					
♦0224	Washer, pommel bolt.....	HDMC	1	1	1	See "O" list
	3/8" x 13/16" x 1/16" plain steel washer					

SEAT POST, SADDLE & BUDDY SEAT



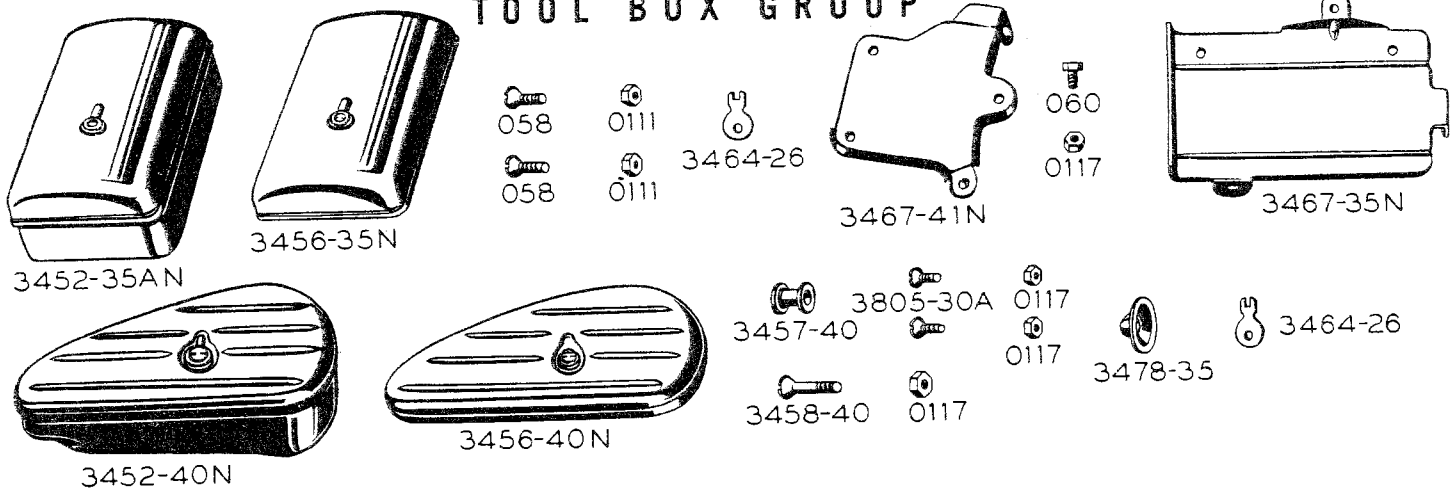
GROUPS 5804, 5806

Part No.	Name of Part	Unit Mfg.	Number Used On			Used For 100 Units
			40WLA	41WLA	42WLA	
GROUP 5804 SADDLE GROUP - (Continued)						
♦3205-34	Stud, rear saddle.....	HDMC	2	2	2	2
♦0117	Nut, rear stud.....	HDMC	2	2	2	See "0" list
	5/16"-24 U.S.F. x 17/64" x 1/2" hexagon nut					
♦3209-31	Spacer, rear stud.....	HDMC	4	4	4	1
GROUP 5804 BUDDY SEAT PARTS						
11240-29N	Buddy seat, complete.....	HDMC	1	1	0	1
♦13300-33	Top only, buddy seat.....	HDMC	1	1	0	1
♦13304-33	Clamp, seat bar.....	HDMC	2	2	0	1
♦0129	Nut, front bracket and handles.....	HDMC	6	6	0	See "0" list
	3/8"-24 U.S.F. x 1/4" x 9/16" hex. nut					
13306-33N	Handle.....	HDMC	2	2	0	3
♦13310-33	Clip, heavy aux. spring.....	HDMC	2	2	0	7
♦13312-33	Clip, light aux. spring.....	HDMC	2	2	0	9
♦13313-38	Spacer, clip bolt.....	HDMC	2	2	0	3
♦13314-33	Bolt, clip (1-3/8").....	HDMC	2	2	0	9
♦13316-33	Bolt, clip (7/8").....	HDMC	2	2	0	8
♦0117	Nut, for clip bolt.....	HDMC	4	4	0	See "0" list
	5/16"-24 U.S.F. x 17/64" x 1/2" hex. nut					
♦4409-26	Nut, clip bolt wing.....	HDMC	2	2	0	30
13322-33N	Spring.....	HDMC	2	2	0	48
13327-33N	Yoke, spring.....	HDMC	1	0	0	1
13327-41N	Yoke, spring.....	HDMC	0	1	0	1
♦2641-30	Nut, spring.....	HDMC	4	4	0	36
♦13328-35	Bolt, spring.....	HDMC	2	0	0	4
♦13328-41	Bolt, spring.....	HDMC	0	2	0	4
♦0116	Nut, spring bolt.....	HDMC	2	2	0	See "0" list
	5/16"-24V x 17/64" x 5/8" hex. nut					
♦13330-36	Stud, spring.....	HDMC	2	2	0	3
13331-33N	Bracket, aux. spring.....	HDMC	1	0	0	3
13331-41N	Clamp, aux. spring.....	HDMC	0	4	0	1
♦066	Bolt, clamp plate.....	HDMC	0	4	0	See "0" list
	5/16"-24 U.S.F. x 1" x 1/2" hex. head bolt					
♦069	Bolt, auxiliary spring bracket.....	HDMC	2	2	0	See "0" list
	5/16"-24 U.S.F. x 1-3/8" x 9/16" hex. head bolt					
♦0117	Nut, bracket bolt.....	HDMC	2	2	0	See "0" list
	5/16"-24 U.S.F. x 17/64" x 1/2" hex. nut					
♦13337-41	Spacer, spring yoke.....	HDMC	0	2	0	1
♦13340-33N	Hook, spring yoke.....	HDMC	1	0	0	3
13340-41N	Hook, spring yoke.....	HDMC	0	1	0	3
♦13342-38	Plate, spring hook.....	HDMC	0	1	0	2
♦11241-29	Footrest, complete.....	HDMC	2	2	0	4
♦13349-33	Bumper, fender rubber.....	HDMC	1	1	0	3
GROUP 5806 TOOL BOX GROUP						
3452-35AN	Box, tool.....	HDMC	1	0	0	1
3452-40N	Box, tool.....	HDMC	0	1	1	2
3456-35N	Cover, tool box.....	HDMC	1	0	0	1
3456-40N	Cover, tool box.....	HDMC	0	1	1	1
♦3457-40	Spacer, tool box mtg.....	HDMC	0	1	1	2
♦3458-40	Screw, tool box mtg.....	HDMC	0	1	0	4
♦3805-30A	Screw, tool box mtg.....	HDMC	0	2	2	30
♦0117	Nut, mounting screw.....	HDMC	0	3	3	See "0" list
	5/16"-24 U.S.F. x 17/64" x 1/2" hex. nut					
♦058	Screw, tool box.....	HDMC	2	0	0	See "0" list
	5/16"-18 U.S.S. x 13/16" oval counter sunk head screw					
♦0111	Nut, tool box screw.....	HDMC	2	0	0	See "0" list
	5/16"-18 U.S.S. x 1/4" x 1/2" hex. nut					
♦3464-26	Key, tool box.....	HDMC	1	1	1	70
3467-35N	Bracket, tool box.....	HDMC	1	0	0	1
3467-41N	Bracket, tool box.....	HDMC	0	1	1	1

Part No.	Name of Part	Unit Mfg.	Number Used On			Used For 100 Units
			40WLA	41WLA	42WLA	

GROUP 5806 TOOL BOX GROUP - (Continued)

TOOL BOX GROUP

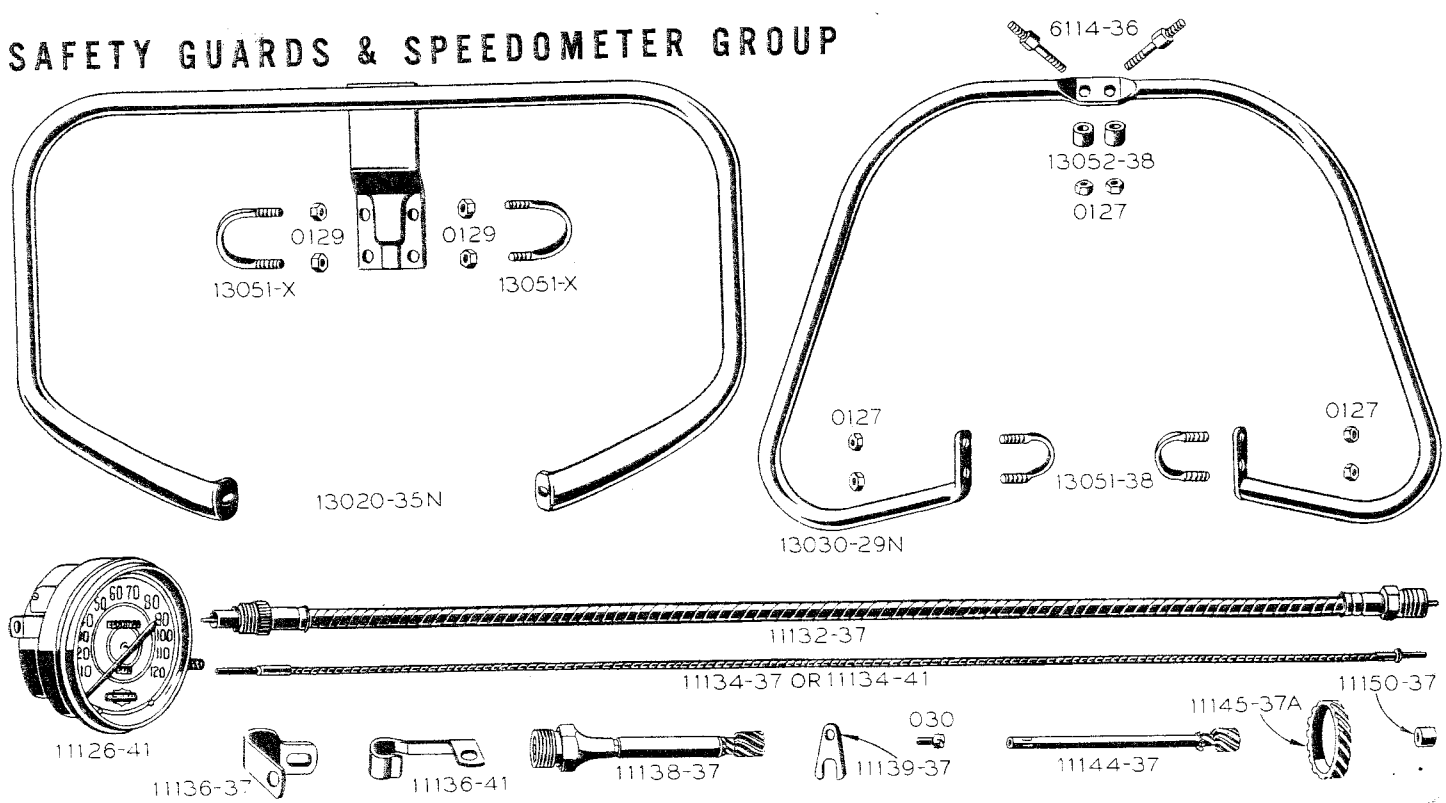


♦060	Bolt, tool box.....	HDMC	1	0	0	See "0" list
	5/16"-24V x 9/16" x 7/16" hex. head bolt					
♦0117	Nut, tool box bolt.....	HDMC	1	0	0	See "0" list
	5/16"-24 U.S.F. x 17/64" x 1/2" hex. nut					
♦3478-35	Washer, tool box screw.....	HDMC	2	2	2	8

GROUP 6100 SAFETY GUARDS AND FITTINGS

13020-35N	Guard, front safety.....	HDMC	1	1	1	4
13030-29N	Guard, rear safety.....	HDMC	0	1	1	4
♦13051-X	U bolt, front guard.....	HDMC	2	2	2	11
♦0129	Nut, U Bolt.....	HDMC	4	4	4	See "0" list
	3/8"-24 U.S.F. x 1/4" x 9/16" hex. nut					

SAFETY GUARDS & SPEEDOMETER GROUP



GROUPS 6100, 6203

Part No.	Name of Part	Unit Mfg.	Number Used On			Used For 100 Units
			40WLA	41WLA	42WLA	

GROUP 6100 SAFETY GUARDS AND FITTINGS - (Continued)

◆13051-38	U bolt, rear guard.....	HDMC	0	2	2	4
◆0127	Nut, U bolt.....	HDMC	4	4	4	See "0" list
	3/8"-24 U.S.F. x 2 1/64" x 9/16" hex. nut					
◆6114-36	Bolt, rear safety guard.....	HDMC	0	2	2	8
◆13052-38	Spacer, rear safety guard.....	HDMC	0	0	2	3
◆0127	Nut, rear safety guard bolt.....	HDMC	0	2	2	See "0" list
	3/8"-24 U.S.F. x 2 1/64" x 9/16" hex. Nut					

GROUP 6203

SPEEDOMETER PARTS

11126-41	Head, speedometer.....	HDMC	1	1	1	1
◆11132-37	Cable, complete.....	HDMC	1	1	1	1
◆11134-37	Cable, only (core).....	HDMC	1	1	0	1
◆11134-41	Cable, only (core).....	HDMC	0	0	1	1
◆11136-37	Clip, cable.....	HDMC	1	1	1	1
◆11136-41	Bracket, cable.....	HDMC	0	1	1	1
◆11138-37	Unit, drive.....	HDMC	1	1	1	6
◆11139-37	Retainer, drive unit.....	HDMC	1	1	1	2
◆030	Screw, retainer.....	HDMC	1	1	1	See "0" list
	#10-24 x 3/8" fillister head screw					
◆11144-37	Gear and shaft, drive.....	HDMC	1	1	1	33
◆11145-37A	Gear, drive, brake shell.....	HDMC	1	1	1	2
◆11150-37	Collar, housing.....	HDMC	1	1	1	1

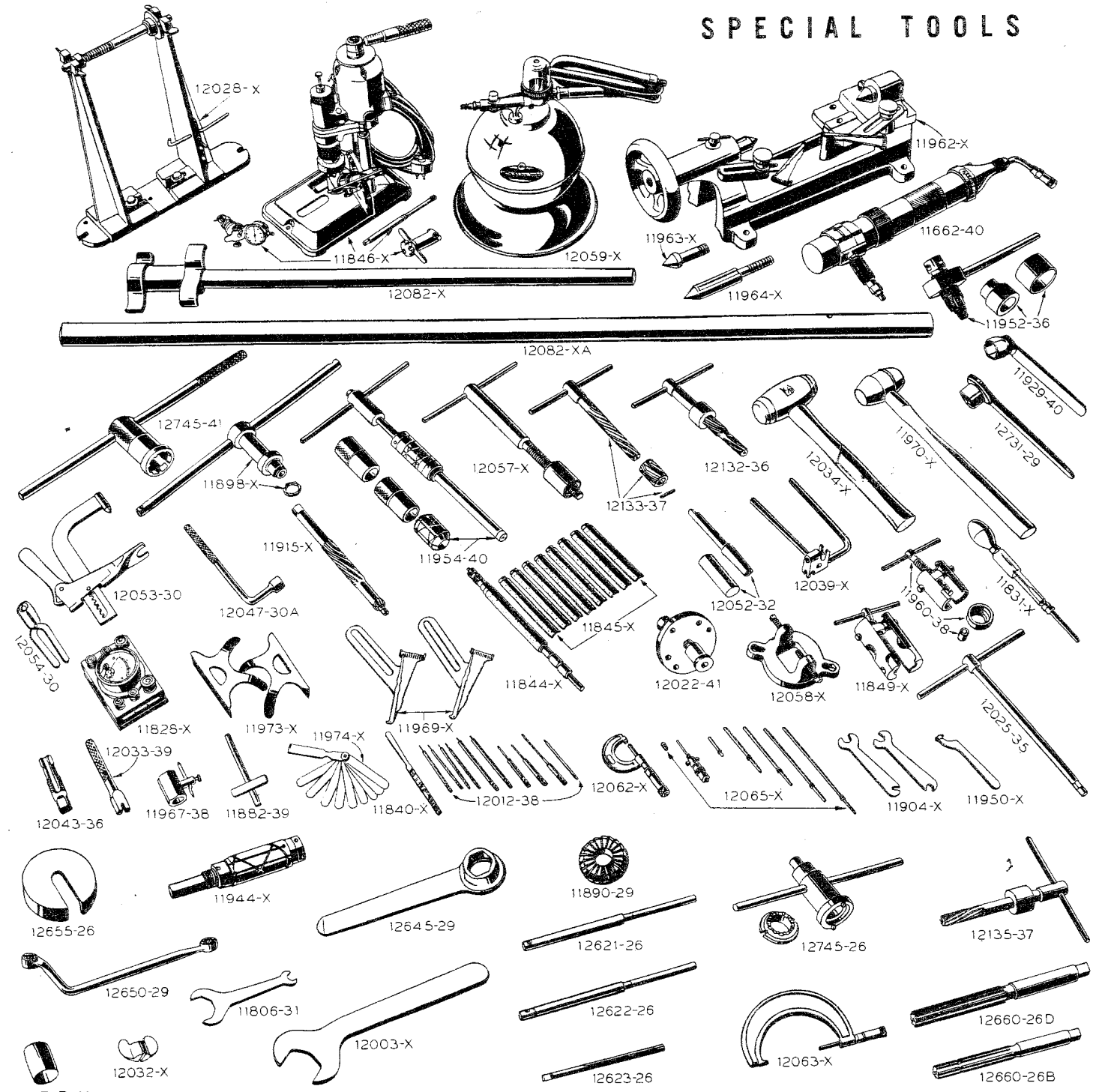
Part No.	Name of Part	Federal Stock Number	Unit Mfg.	Used For
GROUP 2306 SPECIAL TOOLS				
List of Special Tools necessary for the servicing of U.S. Army Model W L A Motorcycles.				
♦11662-40	Gun, air operated grease.....	40-G-498-25	HDMC	Base Service
♦11806-31	Wrench, valve cover.....		HDMC	Field Service Base Service
♦11828-X	Volt-Ammeter, combination.....		HOYT ELECT. INSTR. WORKS	Base Service
♦11831-X	Hydrometer, battery.....	18-H-1242	FRANCIS L. FREAS GLASS WORKS	Base Service
♦11840-X	File, tungsten point.....	41-D-1410	W.I.S. T# 405	Field Service Base Service
♦11844-X	Hone, piston pin bushing.....	41-H-2382	HALL MFG; CO.	Base Service
♦11845-X	Abrasives, set.....	41-A-10	HALL MFG; CO.	Base Service
♦11846-X	Grinder, eccentric valve seat.....	40-V-530	HALL MFG; CO.	Base Service
♦11849-X	Puller, gear & bearing.....	41-P-2903	HDMC	Base Service
♦11882-39	Tool, tail lamp assem.....	41-T-3369-20	HDMC	Field Service Base Service
♦11890-29	Cutter, valve seat clearance.....	41-C-2822-30	ALLOVER MFG. CO.	Base Service
♦11898-X	Holder, cutter.....	41-H-2270	HDMC	Base Service
♦11904-X	Wrenches, set tappet adj.....	41-W-3573	HDMC	Field Service Base Service
♦11915-X	Reamer, special expansion.....		HDMC	Field Service Base Service
♦11929-40	Wrench, spark plug.....	41-W-3334	HDMC	Field Service Base Service
♦11944-X	Arbor, connecting rod lapping.....	41-A-337-10	HDMC	Base Service
♦11950-X	Wrench, lapping arbor.....	41-W-475	J. H. WILLIAMS & CO.	Base Service
♦11952-36	Remover, cam gear bushing.....	41-R-2372-20	HDMC	Base Service
♦11954-40	Lap, crankcase main bearing.....	41-L-203	HDMC	Base Service
♦11960-38	Puller, tappet guide.....	41-P-2956	HDMC	Base Service
♦11962-X	Truing device, flywheel.....	41-S-4970	HDMC	Base Service
♦11963-X	Center, extra, stationary for 11962-X.....	41-C-468-60	HDMC	Base Service
♦11964-X	Center, extra, movable for 11962-X..	41-C-468-50	HDMC	Base Service
♦11967-38	Gauge, endplay.....	41-G-198	HDMC	Base Service
♦11969-X	Indicators, extra set for 11962-X...	41-I-125	HDMC	Base Service
♦11970-X	Hammer, copper.....	41-H-265	HDMC	Base Service
♦11973-X	Copper Jaws, set, for vise.....	41-J-325	HDMC	Base Service
♦11974-X	Gauge, thickness.....	41-G-407	SNAP-ON-TOOLS INC. #310	Field Service Base Service
♦12003-X	Wrench, manifold.....	41-W-1570-10	HDMC	Field Service Base Service
♦12012-38	Tools, set carburetor clean-up.....	41-T-3081-45	HDMC	Base Service
♦12022-41	Puller, inner clutch disc.....	41-P-2905-90	HDMC	Field Service Base Service
♦12025-35	Wrench, wheel mounting socket screw	41-W-3832	HDMC	Field Service Base Service
♦12028-X	Stand, wheel truing.....	41-S-4995	HDMC	Base Service
♦12032-X	Wrench, front wheel spoke nipple.....		HDMC	Field Service Base Service
♦12033-39	Wrench, spoke nipple.....	41-W-3340	HDMC	Field Service Base Service
♦12034-X	Mallet, rawhide.....	41-M-486	CHICAGO RAWHIDE MFG. CO.	Base Service
♦12039-X	Tool, chain.....	41-T-3320	HDMC	Field Service Base Service
♦12043-36	Tap, handlebar end.....	41-T-1026	HDMC	Base Service
♦12047-30A	Wrench, head bolt.....	41-W-1525	HDMC	Field Service Base Service
♦12052-32	Tool, lock ring.....	41-T-3260	HDMC	Field Service Base Service
♦12053-30	Compressor, valve spring.....	41-L-1410	HDMC	Field Service Base Service
♦12054-30	Tool, valve key.....	41-R-2403	HDMC	Base Service

GROUP 2306

Part No.	Name of Part	Federal Stock Number	Unit Mfg.	Used For
----------	--------------	----------------------	-----------	----------

GROUP 2306 SPECIAL TOOLS - (Continued)

SPECIAL TOOLS



♦12057-X	Tool, piston pin bushing.....	41-T-3305	HDMC	Field Service Base Service
♦12058-X	Fixture, connecting rod clamping.....	41-T-3091	HDMC	Field Service Base Service
♦12059-X	Flusher, oil siphon and tank.....		ARO. EQUIP. CO.	Base Service
♦12062-X	Micrometer, "0" to "1" outside.....	41-C-225	ANY TOOL DISTRIBUTOR	Base Service
♦12063-X	Micrometer, "2" to "3" inside.....	41-C-233-50	ANY TOOL DISTRIBUTOR	Base Service
♦12065-X	Micrometer, "2" to "8" inside.....	41-C-304	ANY TOOL DISTRIBUTOR	Base Service
♦12067-42	Jig, rear sprocket riveting.....		HDMC	Base Service
♦12082-X	Bar, frame and fork straightening....	41-T-3205	HDMC	Base Service

Part No.	Name of Part	Federal Stock Number	Unit Mfg.	Used For
----------	--------------	----------------------	-----------	----------

GROUP 2306 SPECIAL TOOLS - (Continued)

♦12082-XA	Handle, straightening bar.....		HDMC	Base Service
♦12132-36	Reamer, oiler drive and pinion.....	41-R-2303	HDMC	Base Service
♦12132-42	Reamer trans. clutch gear.....		HDMC	Base Service
♦12133-37	Reamer, cam gear and timer drive.....	41-R-2265	HDMC	Base Service
♦12135-37	Reamer, pinion shaft bushing.....	41-R-2304	HDMC	Base Service
♦12621-26	Pilot, standard size valve guide.....	41-P-412	HDMC	Base Service
♦12622-26	Pilot, oversize valve guide.....	41-P-410	HDMC	Base Service
♦12623-26	Reamer, valve guide.....	41-R-2309-65	HDMC	Base Service
♦12645-29	Wrench, flywheel shaft nut.....	41-W-1410	HDMC	Base Service
♦12650-29	Wrench, cylinder base nut.....	41-W-872-10	HDMC	Field Service Base Service
♦12655-26	Plate, piston squaring.....	41-P-1550-25	HDMC	Field Service Base Service
♦12660-26B	Reamer, clutch gear bushing.....	41-R-2268	HDMC	Base Service
♦12731-29	Wrench, sprocket nut.....		HDMC	Field Service Base Service
♦12745-26	Wrench, clutch.....		HDMC	Field Service Base Service
♦12745-41	Wrench, inner clutch disc nut.....		HDMC	Field Service Base Service
♦12735-42	Puller cpt. clutch gear oil seal.....		HDMC	Base Service
♦12747-41	Tool, clutch gear oil seal.....	41-G-1255	HDMC	Base Service

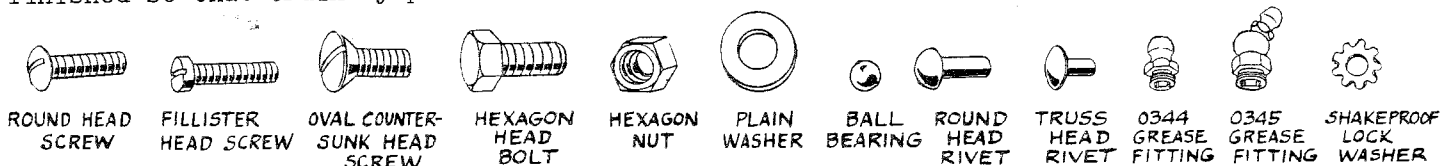
Part No.	Name of Part	Unit Mfg.	Number Used On			List Price Ea.	Used For 100 Units
			40WLA	41WLA	42WLA		

GROUP 2304

NUMERICAL LIST OF SCREWS, BOLTS, NUTS, WASHERS, COTTER PINS, BALLS, RIVETS AND GREASE NIPPLES

These "O" numbers cover items that may be used in many places on the motorcycle. Except when marked "Special," these items can be classed as PARTS COMMON if you have identical sizes in your PARTS COMMON stock. The sizes must check exactly, however.

Where parts are marked "Special" in this "O" list, they are heat treated, ground, or otherwise finished so that ordinary parts should not be used to replace them.



GROUP 2304 SCREW AND BOLTS

♦05	Screw, round head (Brass) 4-36 U.S.F. x 1/4"	HDMC	1	1	1	.01	45
♦010	Screw, fillister head, 6-32 U.S.F. x 1/4"	HDMC	14	14	14	.01	85
♦011	Screw, fillister head, 6-32 U.S.F. x 3/8"	HDMC	1	1	1	.01	10
♦013	Screw, round head, 6-32 U.S.F. x 7/8".....	HDMC	1	1	1	.01	2
♦016	Screw, round head, 6-32 U.S.F. x 3/8".....	HDMC	2	2	2	.01	10
♦018	Screw, round head, 8-32 U.S.F. x 1/4".....	HDMC	4	4	4	.02	22
♦020	Screw, fillister head, 8-32 U.S.F. x 1/4"	HDMC	13	13	13	.02	130
♦021	Screw, fillister head, 8-32 U.S.F. x 3/8"	HDMC	4	4	4	.02	115
♦024	Screw, fillister head, 8-32 U.S.F. x 3/4"	HDMC	1	1	1	.02	10
♦030	Screw, fillister head, 10-24 U.S.F. x 3/8"	HDMC	7	7	7	.02	55
♦032	Screw, fillister head, 10-24 U.S.F. x 5/8"	HDMC	24	24	24	.02	130
♦033	Screw, fillister head, 10-24 U.S.F. x 3/4"	HDMC	0	2	2	.02	130
♦035	Screw, fillister head, 10-32 U.S.F. x 3/8"	HDMC	17	17	17	.02	70
♦036	Screw, fillister head, 10-32 U.S.F. x 1/2"	HDMC	6	6	6	.02	50
♦037	Screw, fillister head, 10-32 U.S.F. x 5/8"	HDMC	5	5	5	.02	175
♦038	Screw, fillister head, 10-32 U.S.F. x 3/4"	HDMC	1	1	1	.03	5
♦044	Screw, fillister head, 12-24 U.S.F. x 7/8"	HDMC	2	2	2	.03	40
♦047	Screw, oval countersunk head, 12-24 U.S.F. x 13/16". Special.....	HDMC	5	5	5	.05	50
♦048	Screw, oval countersunk head, 12-24 U.S.F. x 3/8".....	HDMC	4	4	4	.02	80

GROUP 2304

Part No.	Name of Part	Unit Mfgs.	Number Used On			List Price Ea.	Used For 100 Units
			40WLA	41WLA	42WLA		
GROUP 2304		SCREW AND BOLTS - (Continued)					
♦050	Screw, round head, 1/4"-24 U.S.F. x 7/16" HDMC	8	8	8	.02	80	
♦051	Screw, round head, 1/4"-24 U.S.F. x 1/2" HDMC	7	7	7	.02	110	
♦052	Screw, round head, 1/4"-24 U.S.F. x 5/8" HDMC	3	3	3	.03	35	
♦053	Screw, round head, 1/4"-24 U.S.F. x 3/4" HDMC	2	2	2	.03	92	
♦056	Screw, oval countersunk head, 1/4"-24 U.S.F. x 1-1/8" Special..... HDMC	11	11	11	.05	95	
♦057	Screw, oval countersunk head, 1/4"-24 U.S.F. x 13/16" Special..... HDMC	8	8	8	.05	25	
♦058	Screw, oval countersunk head, 5/16"-18 U.S.S. x 13/16"..... HDMC	3	3	3	.08	10	
♦060	Bolt, hexagon head, 5/16"-24V x 9/16" x 7/16" HDMC	1	1	1	.05	25	
♦061	Bolt, hexagon head, 5/16"-24 U.S.F. x 1/2" x 1/2"..... HDMC	6	6	6	.05	16	
♦064	Bolt, hexagon head, 5/16"-24 U.S.F. x 3/4" x 1/2"..... HDMC	9	9	9	.05	65	
♦066	Bolt, hexagon head, 5/16"-24 U.S.F. x 1" x 1/2"..... HDMC	10	10	10	.05	50	
♦068	Bolt, hexagon head, 5/16"-24 U.S.F. x 1-13/16" x 1/2" Special..... HDMC	1	1	1	.10	20	
♦069	Bolt, hexagon head, 5/16"-24 U.S.F. x 1-3/8" x 9/16" Special..... HDMC	2	2	2	.10	33	
♦074	Bolt, hexagon head, 3/8"-24 U.S.F. x 3/4" x 9/16"..... HDMC	1	1	1	.10	5	
GROUP 2304		NUTS					
♦0101	Nut, hexagon, 6-32 U.S.F. x 7/64" x 5/16".... HDMC	9	9	9	.01	45	
♦0103	Nut, hexagon, 8-32 U.S.F. x 1/8" x 5/16"..... HDMC	6	6	6	.01	30	
♦0104	Nut, hexagon, 10-24 U.S.F. x 1/8" x 3/8"..... HDMC	20	20	20	.01	250	
♦0105	Nut, hexagon, (brass), 10-32 U.S.F. x 1/8" x 5/16"..... HDMC	17	17	17	.02	130	
♦0105A	Nut, hexagon, 10-32 U.S.F. x 1/8" x 3/8"..... HDMC	2	2	2	.01	17	
♦0107	Nut, hexagon, 1/4"-20 U.S.S. x 1/4" x 1/2" HDMC	8	8	8	.05	25	
♦0108	Nut, hexagon, 1/4"-24 U.S.F. x 5/32" x 7/16" HDMC	34	34	34	.02	250	
♦0109	Nut, hexagon, 1/4"-24 U.S.F. x 7/32" x 7/16" Special..... HDMC	6	6	6	.05	85	
♦0111	Nut, hexagon, 5/16"-18 U.S.S. x 1/4" x 1/2" HDMC	5	5	5	.03	10	
♦0116	Nut, hexagon, 5/16"-24V x 17/64" x 5/8".... HDMC	2	2	0	.05	10	
♦0117	Nut, hexagon, 5/16"-24 U.S.F. x 17/64" x 1/2" HDMC	62	62	62	.05	30	
♦0120A	Nut, hexagon, 3/8"-16 U.S.S. x 5/16" x 9/16" HDMC	0	0	1	.05	35	
♦0123	Nut, hexagon, 3/8"-24 U.S.F. x 1/2" x 9/16" HDMC	8	8	8	.05	25	
♦0127	Nut, hexagon, 3/8"-24 U.S.F. x 21/64" x 9/16" HDMC	11	11	11	.05	90	
♦0128	Nut, hexagon, 3/8"-24 U.S.F. x 15/32" x 9/16" Special..... HDMC	5	5	5	.08	70	
♦0129	Nut, hexagon, 3/8"-24 U.S.F. x 1/4" x 9/16" HDMC	28	28	28	.05	200	
♦0131	Nut, hexagon 7/16"-24V-1/4" x 3/4"..... HDMC	0	2	2	.05	10	
♦0133	Nut, hexagon, 7/16"-20 U.S.F. x 3/8" x 5/8" HDMC	6	6	6	.08	40	
♦0134	Nut, hexagon, 7/16"-20 U.S.F. x 1/2" x 5/8" Special..... HDMC	1	1	1	.10	35	
♦0140	Nut, hexagon (oil pipe nipple), 15/32"-24 Special..... HDMC	1	1	1	.10	4	
♦0142	Nut, hexagon, 5/8"-24 U.S.F. x 7/32" x 7/8" HDMC	1	1	1	.10	17	
GROUP 2304		PLAIN WASHERS					
♦0201	Washer, plain steel, 3/16" x 7/16" x 1/32" HDMC	11	11	11	.01	72	
♦0205	Washer, plain steel, 7/32" x 1/2" x 1/16" HDMC	3	3	3	.01	72	
♦0207	Washer, plain steel, 1/4" x 7/16" x .035" HDMC	1	1	1	.01	35	
♦0207B	Washer, plain steel, 260 x 9/16" x .0375" HDMC	1	1	1	.02	10	
♦0208	Washer, plain steel, 1/4" x 5/8" x 1/16" HDMC	1	0	0	.01	25	
♦0212	Washer, plain steel, 5/16" x 9/16" x 1/32" HDMC	1	1	1	.01	27	
♦0214	Washer, plain steel, 5/16" x 5/8" x 1/16" HDMC	4	4	4	.02	70	
♦0215	Washer, plain steel, 5/16" x 15/16" x .0625" HDMC	2	2	2	.05	40	
♦0224	Washer, plain steel, 3/8" x 13/16" x 1/16" HDMC	6	6	6	.02	80	
♦0225	Washer, plain steel, 3/8" x 13/16" x 7/64" Special..... HDMC	5	5	5	.05	28	
♦0229	Washer, plain steel, 7/16" x .800" x 1/16" HDMC	1	1	1	.02	28	

Part No.	Name of Part	Unit Mfg.	Number Used On			List Price Ea.	Used For 100 Units
			40WLA	41WLA	42WLA		
GROUP 2304 PLAIN WASHERS - (Continued)							
♦0230	Washer, plain steel, 7/16" x 15/16" x .134" Special.....	HDMC	3	3	3	.05	20
♦0231	Washer, plain steel, 7/16" x 1-1/9" x 3/32" Special.....	HDMC	5	5	5	.05	35
♦0232	Washer, plain steel, 7/16" x 13/16 x .095" Special.....	HDMC	1	1	1	.05	83
GROUP 2304 LOCK WASHERS							
♦0251	Washer, lock, No. 6 x 3/64" x 1/32".....	HDMC	1	1	1	.01	35
♦0253	Washer, lock, 3/16" x 3/8" x 3/64".....	HDMC	22	30	30	.01	60
♦0254	Washer, lock, No. 10 x 21/64" x 3/64".....	HDMC	23	17	17	.01	60
♦0255	Washer, lock, No. 12 x 23/64" x 3/64".....	HDMC	9	9	9	.01	60
♦0256	Washer, lock, 1/4" x 1/2" x 1/16".....	HDMC	54	54	54	.01	170
♦0259	Washer, lock, 5/16" x 9/16" x 1/16".....	HDMC	61	61	61	.01	320
♦0261	Washer, lock, 3/8" x 5/8" x 1/16".....	HDMC	43	43	43	.01	200
♦0262	Washer, lock 3/8" x 13/16" x 1/16".....	HDMC	1	1	1	.01	90
♦0265	Washer, lock, 7/16" x 11/16" x 1/16".....	HDMC	10	10	10	.01	165
♦0266	Washer, lock, heavy, 7/16" x 13/16" x 3/32"	HDMC	4	6	6	.02	55
♦0268	Washer, lock, 1/2" x 7/8" x 3/32".....	HDMC	2	2	2	.02	20
♦0269	Washer, lock, 9/16" x 15/16" x 3/32".....	HDMC	2	2	2	.02	15
GROUP 2304 STEEL BALLS							
♦0279	Ball, steel, 3/16".....	HDMC	0	4	4	.01	140
♦0280	Ball, steel, 1/4".....	HDMC	8	14	14	.01	130
♦0282	Ball, steel, 5/16".....	HDMC	56	56	56	.02	225
GROUP 2304 COTTER PINS							
♦0290	Pin, cotter, 1/16" x 1/2".....	HDMC	9	6	6 per doz.	.05	300
♦0291	Pin, cotter, 3/32" x 5/8".....	HDMC	18	11	11 per doz.	.05	165
♦0292	Pin, cotter, 3/32" x 1".....	HDMC	2	2	2 per doz.	.05	175
GROUP 2304 RIVETS							
♦0304	Rivet, tubular (brass), 1/8" x 5/32".....	HDMC	6	6	6	.01	8
♦0306	Rivet, round head, 3/16" x 1/4".....	HDMC	4	4	4	.05	35
♦0308	Rivet, round head, 3/16" x 9/16".....	HDMC	18	18	18	.05	100
♦0310	Rivet, round head, 3/16" x 1".....	HDMC	4	4	4	.01	10
♦0311	Rivet, countersunk head, 3/16" x 7/16".....	HDMC	4	4	4	.02	22
♦0314	Rivet, truss head, 3/16" x 3/8".....	HDMC	36	36	36	.01	85
♦0318	Rivet, round head, 1/4" x 9/16".....	HDMC	3	3	3	.01	33
♦0319	Rivet, round head, 1/4" x 3/4".....	HDMC	3	3	3	.02	22
GROUP 2304 GREASE FITTINGS							
♦0344	Grease fitting, zerk--straight. Special..	HDMC	9	9	9	.10	44
♦0345	Grease fitting, zerk--angle. Special..	HDMC	1	1	1	.12	28
GROUP 2304 SHAKEPROOF LOCK WASHERS							
♦0352	Washer, lock, internal tooth shakeproof, No. 8 x 15/32".....	HDMC	1	1	1	.01	2
♦0354	Washer, lock, external tooth shakeproof, No. 10 x 3/16".....	HDMC	7	7	7	.01	55
♦0356	Washer, lock, internal tooth shakeproof, No. 10 x 3/16".....	HDMC	9	9	9	.01	50
♦0363	Washer, lock, external tooth shakeproof, No. 14 x 1/4".....	HDMC	5	5	5	.02	20
♦0365	Washer, lock, countersunk shakeproof, No. 14 x 1/4".....	HDMC	8	8	8	.02	25
♦0370	Washer, lock, countersunk shakeproof, No. 18 x 5/16".....	HDMC	1	3	3	.02	14

NUMERICAL LIST

Part No.	Gov. Group No.	Page	Price Each	Part No.	Gov. Group No.	Page	Price Each
1-40M.....	4100	17	\$155.50	304-15F.....	4111	24	\$.05
2-40M.....	4100	17	16.00	304-15H.....	4111	24	.05
3-40M.....	4100	17	16.00	304-15KA.....	4111	24	.05
9-40M.....	4100	17	8.00	304-15MA.....	4111	24	.05
10-40M.....	4100	17	8.00	305-15.....	5404	52	.06
11-39.....	4100	17	.20	305-29.....	4103, 4104	18-24	.06
14-30.....	4301	28	.10	305-29D.....	4103, 4104	18-24	.06
14-40M.....	4100	17	.10	305-29F.....	4103, 4104	18-24	.06
14-40MA.....	4100	17	.15	305-29H.....	4103, 4104	18-24	.06
15-39.....	4100	17	.05	305-29KA.....	4103, 4104	18-24	.06
29-29.....	4100	17	.10	305-29MA.....	4103, 4104	18-24	.06
37-09C.....	4100	17	.85	309-29.....	4103, 4104	18	2.80
39-26.....	4100	17	.05	309-29D.....	4103, 4104	18	2.80
40-08.....	4100	17	.05	309-29F.....	4103, 4104	18	2.80
46-29.....	4100	17	.025	309-29H.....	4103, 4104	18	2.80
53-40.....	4100	17	1.25	309-29KA.....	4103, 4104	18	2.80
163-32.....	4105	19	1.50	309-29MA.....	4103, 4104	18	2.80
165-32.....	4105	19	1.50	331-37.....	4109	22	14.00
166-32.....	4105	19	.60	338-32.....	4109	22	4.50
166-41.....	4105	19	.60	339-37.....	4109	23	4.50
167-38.....	4105	19	.05	348-29.....	4109	23	1.70
168-32.....	4105	19	.25	352-29.....	4109	23	1.40
168-41.....	4105	19	.30	355-37.....	4109	23	2.25
170-30.....	4105	19	.10	355-37B.....	4109	23	.10
172-30.....	4105	19	.20	355-39.....	4109	23	.25
173-31.....	4105	19	.25	357-26A.....	4109	23	2.00
173-41.....	4105	19	.25	361-12.....	4109, 4903	23-47	.05
174-31.....	4105	19	.50	364-12.....	4700	42	.10
175-29.....	4105	19	.05	364-29.....	4109	23	.10
176-26.....	4105	19	.02	364-37.....	4109, 4700	23-42	.15
185-41M.....	4105	19	.15	368-12.....	4109	23	.05
186-10.....	5804	60	.20	368-29.....	4109	23	.05
200-40.....	4105	19	2.00	372-21.....	4109	23	.20
208-29.....	4105	19	.25	403-37.....	4111	23	34.00
212-29.....	4105	19	.15	406-37A.....	4111	23	14.50
214-29.....	4105	19	.10	410-37A.....	4111	23	21.50
221-40.....	4105	19	.15	411-37.....	4111	23	.50
223-38.....	4105	19	.10	411-37A.....	4111	23	.05
234-30.....	4105	19	1.70	413-39A.....	4111	23	1.00
235-30.....	4105	19	1.70	414-37.....	4111	23	1.30
237-30.....	4105	19	.02	414-37D.....	4111	23	1.30
253-29A.....	4103, 4104	17	6.00	414-37F.....	4111	23	1.30
253-29C.....	4103, 4104	17	6.00	414-37H.....	4111	23	1.30
253-29D.....	4103, 4104	17	6.00	414-37KA.....	4111	23	1.30
253-29E.....	4103, 4104	17	6.00	414-37MA.....	4111	24	1.30
253-29F.....	4103, 4104	17	6.00	414-39A.....	4111	24	.30
253-29G.....	4103, 4104	18	6.40	415-37.....	4111	24	.30
261-38.....	4103, 4104	18	1.50	416-39.....	4111	24	1.20
261-38A.....	4103, 4104	18	1.50	417-29.....	4111	24	.30
261-38B.....	4103, 4104	18	1.50	417-30.....	5300	49	.35
261-38C.....	4103, 4104	18	1.50	419-29.....	4111	24	1.20
261-38D.....	4103, 4104	18	1.50	419-29D.....	4111	24	1.20
261-38E.....	4103, 4104	18	1.50	419-29F.....	4111	24	1.20
275-32.....	4103, 4104	18	.50	419-29H.....	4111	24	1.20
275-32C.....	4103, 4104	18	.50	419-29KA.....	4111	24	1.20
275-32D.....	4103, 4104	18	.50	419-29MA.....	4111	24	1.20
275-32E.....	4103, 4104	18	.50	421-39.....	4111	24	.25
275-32F.....	4103, 4104	18	.50	422-39.....	4111	24	.10
275-32G.....	4103, 4104	18	.50	423-39.....	4111	24	.05
280-32.....	4103, 4104	18	.15	437-26.....	4111	24	.10
283-32.....	4103, 4104	18	5.50	442-10.....	4111	24	.05
284-32.....	4103, 4104	18	4.50	442-37.....	4111	24	.10
289-32.....	4103, 4104	18	14.50	443-37.....	4111	24	.10
293-36.....	4103, 4104	18	.35	444-37.....	4111	24	.10
301-29.....	4103, 4104	18	.30	451-37.....	4111	24	.05
304-15.....	4111	24	.05	453-11.....	4111	24	.10
304-15D.....	4111	24	.05	480-38.....	4111	24	1.25

NUMERICAL LIST - CONTINUED

Part No.	Gov. Group No.	Page	Price Each	Part No.	Gov. Group No.	Page	Price Each
482-38.....	4111	24	\$.25	711-36.....	4106, 4107	21	\$.35
484-38.....	4111	24	.05	711-41.....	4106, 4107	21	.15
503-37.....	4106, 4107	19	2.00	713-37.....	4106, 4107	21	.10
504-37.....	4106, 4107	19	.60	713-41.....	4106, 4107	21	.10
504-39.....	4106, 4107	19	.10	715-37.....	4106, 4107	21	.10
524-25.....	5706	59	.05	1002-40M.....	4401, 4402	30	10.00
543-37.....	4106, 4107	19	.50	1006-35.....	4401, 4402	30	2.50
543-37A.....	4106, 4107	19	.40	1006-41.....	4401, 4402	30	3.00
544-37.....	4106, 4107	19	.05	1007-35.....	4401, 4402	30	.70
584-37A.....	4106, 4107	19	12.50	1007-41.....	4401, 4402	30	.90
585-37.....	4106, 4107	19	.15	1035-40M.....	4401, 4402	30	6.00
585-37A.....	4106, 4107	19	.10	1038-36.....	4401, 4402	30	.25
585-37B.....	4106, 4107	19	.05	1039-32.....	4401, 4402	17-30	.05
587-37.....	4106, 4107	19	6.50	1044-40M.....	4401, 4402	30	2.00
588-37.....	4106, 4107	19	9.00	1061-32A.....	4401, 4402	30	.25
588-38.....	4106, 4107	19	9.00	1064-32A.....	4401, 4402	31	.50
589-37.....	4106, 4107	19	.05	1102-36A.....	4108, 4301	21	3.60
590-37.....	4106, 4107	19	.05	1107-36A.....	4108, 4301	21	2.25
591-36.....	4106, 4107	19	.05	1109-41.....	4108, 4301	21	.75
591-37.....	4106, 4107	19	.05	1111-36.....	4108, 4301	21	.15
591-41.....	4106, 4107	19	.05	1112-32.....	4108, 4301	21	.35
591-41A.....	4106, 4107	20	.05	1115-32.....	4108, 4301	21	.25
598-37A.....	4106, 4107	20	.10	1118-30A.....	4108, 4301	21	.15
604-37A.....	4106, 4107	20	1.50	1121-21.....	4108, 4301	21	.05
610-37.....	4106, 4107	20	4.50	1121-39.....	4108, 4301	21	.05
611-37.....	4106, 4107	20	4.50	1123-29.....	4700	43	.05
612-37.....	4106, 4107	20	4.50	1123-30.....	4108, 4301	21	.05
613-37.....	4106, 4107	20	4.50	1123-41.....	4108, 4301	21	.05
619-37.....	4106, 4107	20	1.70	1133-41M.....	4108, 4301	21	13.50
620-30.....	4106, 4107	20	.25	1152-11.....	4108, 4301	22	.25
621-37.....	4106, 4107	20	1.50	1153-11.....	4108, 4301	22	.10
632-37.....	4106, 4107	20	1.50	1154-11.....	4108, 4301	22	.05
634-32.....	4106, 4107	20	.02	1196-11.....	4108, 4301	22	.15
636-30.....	4106, 4107	20	.30	1197-16.....	4108, 4301	22	.10
658-15.....	4106, 4107	20	.02	1226-40M.....	4108, 4301	21	7.50
660-37.....	4106, 4107	20	.40	1226-41M.....	4108, 4301	21	7.50
660-37A.....	4106, 4107	20	.40	1231-33.....	4108, 4301	21	.60
660-37B.....	4106, 4107	20	.40	1232-24.....	4108, 4301	21	.15
660-37C.....	4106, 4107	20	.40	1233-33A.....	4108, 4301	21	1.00
660-37E.....	4106, 4107	20	.40	1233-41M.....	4108, 4301	21	.80
661-31.....	4106, 4107	20	.02	1234-24.....	4108, 4301	21	.10
661-37A.....	4106, 4107	20	.40	1238-37.....	4108, 4301	21	.80
664-37.....	4106, 4107	20	.10	1243-24.....	4108, 4301	21	.50
672-32.....	4106, 4107	21	.05	1244-24.....	4108, 4301	21	.15
674-32.....	4106, 4107	21	.01	1245-24.....	4108, 4301	21	.25
678-37.....	4106, 4107	20	3.40	1247-32.....	4108, 4301	21	.10
678-41.....	4106, 4107	20	5.00	1248-40M.....	4108, 4301	21	.30
679-37.....	4106, 4107	20	3.40	1249-38D.....	4108, 4301	22	.20
682-37.....	4106, 4107	20	1.70	1249-41.....	4108, 4301	22	.20
682-38.....	4106, 4107	20	2.00	1251-33.....	4108, 4301	22	.20
687-37.....	4106, 4107	20	1.25	1252-41.....	4108, 4301	22	.25
687-41.....	4106, 4107	20	1.25	1252-41A.....	4108, 4301	22	.05
687-41A.....	4106, 4107	20	.05	1254-40M.....	4108, 4301	22	.60
687-41B.....	4106, 4107	21	.05	1257-33.....	4108, 4301	22	.10
688-37.....	4106, 4107	21	.50	1258-33.....	4108, 4301	22	1.00
689-37.....	4106, 4107	21	.05	1261-27.....	4108, 4301	22	.50
689-37B.....	4106, 4107	21	1.00	1262-27.....	4108, 4301	22	.15
690-37.....	4106, 4107	21	.90	1263-24.....	4108, 4301	22	.10
690-38.....	4106, 4107	21	.90	1264-27.....	4108, 4301	22	.10
691-37.....	4106, 4107	21	.90	1265-30A.....	4108, 4301	22	1.25
693-36.....	4106, 4107	21	.05	1265-41M.....	4108, 4301	22	1.25
694-37.....	4106, 4107	21	.05	1267-24.....	4108, 4301	22	6.00
794-37.....	4106, 4107	21	.30	1267-33.....	4108, 4301	22	3.50
701-36.....	4106, 4107	21	.20	1268-29.....	4108, 4301	22	.35
703-36.....	4106, 4107	21	.10	1269-28.....	4108, 4301	22	.05
704-36.....	4106, 4107	21	.10	1269-39.....	4108, 4301	22	.15
707-36.....	4106, 4107	21	.15	1271-33.....	4108, 4301	22	.75

NUMERICAL LIST - CONTINUED

Part No.	Gov. Group No.	Page	Price Each	Part No.	Gov. Group No.	Page	Price Each
1272-33.....	4108, 4301	22	\$.40	1599-27.....	4600	33	\$.05
1273-33A.....	4108, 4301	22	1.25	1602-37.....	4600	33	.20
1275-33.....	4108, 4301	22	.30	1613-30.....	4600	33-36	.50
1285-33.....	4304	22-30	.05	1614-18.....	4606	33-36	.02
1292-27.....	4108, 4301	22	1.00	1615-36A.....	4600	33	.10
1293-27.....	4108, 4301	22	.20	1617-29.....	4606	37	.05
1296-26.....	4108, 4301	22	.05	1618-30.....	4600	33	.05
1297-26.....	4108, 4301	22	.02	1619-30.....	4600	33	.05
1401-42M.....	4301	27	9.50	1627-36.....	4600	33	1.20
1406-41M.....	4301	27	1.50	1627-37A.....	4600, 5404	33-52	.20
1409-41M.....	4301	28	.05	1629-30.....	4600	33	.60
1411-41M.....	4301	28	.50	1630-36.....	4600	33	.20
1413-41M.....	4301	28	.10	1631-36.....	4600	33	.20
1414-42.....	4301	28	1.20	1632-36.....	4600	33	.05
1415-41M.....	4301	28	.35	1633-36.....	4600	33	.02
1415-42M.....	4301	28	.45	1634-36.....	4600, 5404	33-52	.20
1416-42.....	4301	28	.15	1636-32.....	4600	33	10.00
1417-41M.....	4301	28	.05	1639-18.....	4600	33	.05
1417-42.....	4301	28	.01	1641-30A.....	4600	33	.10
1421-41M.....	4301	28	.35	1641-33.....	4600	33	.20
1421-42.....	4301	28	.15	1642-29.....	4600	33	.10
1422-42.....	4301	28	.01	1642-30.....	4600	33	.05
1423-41M.....	4301	28	.15	1643-29.....	4600	33	.05
1423-42.....	4301	28	.10	1643-30.....	4600	33	.05
1425-41M.....	4301	28	.60	1644-18.....	4600	33	1.10
1425-42M.....	4301	28	.60	1644-30.....	4600	33	1.10
1425-42MA.....	4301	28	.35	1646-31.....	4600	33	.20
1426-42.....	4301	28	.10	1647-29A.....	4600	33	.05
1427-41M.....	4301	28	.60	1647-31A.....	4600	33-35-36	.02
1429-41M.....	4301	28	.05	1647-31B.....	4600	33	.05
1429-42M.....	4301	28	.05	1647-31C.....	4600	33	.05
1430-41M.....	4301	28	1.00	1647-31D.....	4600	33	.05
1432-41.....	4301	28	.20	1647-31E.....	4600	33	.05
1432-41M.....	4301	28	.25	1647-32.....	4600	33	1.00
1435-41M.....	4301	28	.10	1650-18.....	4109	23	.05
1501-30.....	4600	31	35.00	1654-29.....	4106, 4107	20	.05
1504-32.....	4600	31	7.00	1661-32.....	4600	33	.50
1505-32.....	4600	31	2.50	1662-32.....	4600	33	1.00
1506-32.....	4600	31	.10	1663-32.....	4600	33	.10
1507-32.....	4600	31	2.00	1663-32A.....	4600	31-33	.10
1508-32.....	4600	31	2.00	1664-32.....	4600	33	.10
1511-30.....	4600	31	1.20	1665-32.....	4600	34-37	.05
1512-18.....	4600	31	.05	1666-32.....	4600	34-37	.05
1520-24.....	4600	31-36	.02	1667-32.....	4600	34	.05
1520-39.....	4606	36	.02	1669-32A.....	4600	34	.75
1523-26.....	4606	36	.02	1671-26.....	4600	34	.25
1523-32.....	4600	31	.05	1674-26.....	4600	34	.05
1527-30.....	4600	31	.05	1674-32.....	4600	34	.05
1528-30.....	4600	31	.75	1693-30.....	4606	36	.20
1529-30.....	4600	31	.05	1693-32.....	4606	36	.20
1540-37.....	4600	31	4.00	1696-32.....	4600	34	.50
1540-37A.....	4600	31	2.50	1697-30.....	4600	34	.05
1541-37.....	4600	31	.05	1722-30N.....	4600	34	8.75
1542-36.....	4600	31	.25	1723-29.....	4600	34	.20
1546-37.....	4600	31	2.40	1723-30.....	5705	58	.20
1547-36.....	4600	31	1.00	1724-29.....	4600	34	.10
1548-36.....	4600	32	.05	1725-30.....	4600	34	.05
1566-37.....	4600	32	2.00	1728-30.....	4600	34	.35
1567-36N.....	4600	32	.40	1741-36.....	4606	36	.15
1568-36.....	4600	33	.30	1741-41M.....	4606	36	1.00
1568-36A.....	4600	33	.50	1741-41MA.....	4606	36	1.00
1569-30A.....	4600	33	1.00	2001-29.....	4903, 5706	46	4.00
1570-30.....	4600	33	.05	2003-15.....	4903, 5706	46	5.90
1574-30.....	4600	33	.05	2007-15.....	4903, 5706	46	.15
1596-30.....	4606	33-36	.40	2007-29.....	4903, 5706	46	.15
1597-30.....	4606	33-36	.25	2008-12.....	4903, 5706	46	.05
1598-27.....	4600	33	.02	2008-29.....	4903, 5706	46	.05

NUMERICAL LIST - CONTINUED

Part No.	Gov. Group No.	Page	Price Each	Part No.	Gov. Group No.	Page	Price Each
2011-15.....	4903, 5706	46	\$.15	2249-41.....	4700	42	\$.50
2011-29.....	4903, 5706	46	.14	2250-33.....	4700	42	.08
2013-15.....	4903, 5706	47	.30	2251-33.....	4700	42	.05
2015-15.....	4903, 5706	47	.40	2251-36.....	4700	42	.05
2015-29.....	4903, 5706	47	.40	2251-36A.....	4700	42	.10
2031-29A.....	4903	47	1.50	2251-36B.....	4700	42	.20
2031-29B.....	4903	47	1.50	2253-33.....	4700	42	.10
2035-33.....	4903	47	1.50	2253-33A.....	4700	42	.10
2035-41.....	4903	47	2.00	2253-33B.....	4700	42	.10
2039-40M.....	4200, 4903	27-47	7.00	2258-40.....	4700	42	20.00
2039-41A.....	4200, 4903	27-47	8.00	2258-41.....	4700	42	20.00
2043-35.....	4903	47	3.00	2260-39.....	4700	42	8.00
2050-12.....	4903	47	.10	2260-41.....	4700	42	8.00
2076-26A.....	4707	45	3.00	2262-33.....	4700	42	.10
2076-29.....	4707	45	2.00	2262-39.....	4700	42	.10
2076-41.....	4707	45	2.00	2262-41.....	4700	42	.10
2076-41A.....	4707	45	3.00	2270-38.....	4700	42	.40
2078-26.....	4707	45	.10	2270-41.....	4700	42	.40
2084-28.....	4707	46	.35	2271-38.....	4700	42	.05
2084-41.....	4707	46	.35	2271-41.....	4700	42	.05
2086-33.....	4707	46	.20	2272-33.....	4700	42	4.50
2086-41.....	4707	46	.20	2272-41.....	4700	42	4.50
2091-16.....	4707	46	1.75	2278-26.....	4700	42	.05
2092-17.....	4707	46	.15	2279-26.....	4200, 4700	26-42-47	.05
2093-17.....	4707	46	.15	2289-17.....	4103, 4104	18	.05
2095-16.....	4707	46	.75	2289-17D.....	4103, 4104	18	.05
2096-17.....	4707	46	.20	2289-17F.....	4103, 4104	18	.05
2098-17.....	4707	46	.20	2289-17H.....	4103, 4104	18	.05
2099-29.....	4707	46	.20	2289-17KA.....	4103, 4104	18	.05
2100-16.....	4707	46	.10	2289-17MA.....	4103, 4104	18	.05
2101-31.....	4707	46	.10	2289-25.....	5300	48-49	.06
2102-30.....	4707	46	.03	2289-36.....	4200, 4700	27-43	.05
2165-32.....	4707	45	1.50	2289-39.....	4700	42-44	.05
2166-26.....	4700, 4707	41-45	.10	2290-33.....	4700	43	1.50
2168-26.....	4707	45	.05	2291-33.....	4700	43	.20
2172-26.....	4707	45	.10	2292-33.....	4700	43	.20
2173-26.....	4707	45	.05	2293-36.....	4700	43	.30
2173-41.....	4707	45	.05	2293-36A.....	4700	43	.30
2202-40M.....	4700	41	90.00	2293-41.....	4700	43	.30
2202-41D.....	4700	41	90.00	2294-39.....	4700	43	3.50
2204-37N.....	4700	41	2.00	2294-39AB.....	4700	43	.15
2205-31.....	4700	41	.25	2294-39AC.....	4700	43	.15
2206-37.....	4700	41	.25	2294-39AD.....	4700	43	.15
2208-40N.....	4700	41	2.25	2294-39AE.....	4700	43	.15
2210-36N.....	4700	41	.10	2294-39AF.....	4700	43	.15
2212-38.....	4700	41	.35	2294-39C.....	4700	43	.75
2212-41A.....	4700	41	.70	2294-41.....	4700	43	3.50
2214-36.....	4700	41	.30	2294-41AB.....	4700	43	.10
2215-41.....	4700	41	.10	2294-41AC.....	4700	43	.10
2225-36.....	4700	41	.15	2294-41AD.....	4700	43	.10
2241-38.....	4700	41	1.25	2294-41AE.....	4700	43	.10
2241-41.....	4700	41	1.25	2294-41AF.....	4700	43	.10
2242-38A.....	4700	41	.10	2294-41AG.....	4700	43	.10
2242-40.....	4700	41	1.00	2294-41AH.....	4700	43	.10
2243-40.....	4700	41	5.50	2294-41AI.....	4700	43	.10
2243-41.....	4700	41	5.50	2294-41B.....	4700	43	.10
2244-38.....	4700	41	1.00	2294-41C.....	4700	43	.10
2244-38A.....	4700	41	.05	2295-39.....	4700	43	.75
2244-41.....	4700	41	1.00	2295-41.....	4700	43	3.50
2245-36A.....	4700	42	.05	2296-33A.....	4700	43	3.50
2245-38.....	4700	42	1.40	2297-39A.....	4700	43	.40
2245-41.....	4700	42	1.40	2297-39B.....	4700	43	.50
2246-33.....	4700	42	.60	2297-41.....	4700	43	.50
2247-33.....	4700	42	.60	2297-41A.....	4700	43	.50
2247-41.....	4700	42	.60	2298-36.....	4700	43	.50
2248-36.....	4700	42	.75	2298-39A.....	4700	43	3.00
2248-39.....	4700	42	.05	2298-41.....	4700	43	3.00
2249-36.....	4700	42	.50				3.00

NUMERICAL LIST - CONTINUED

Part No.	Gov. Group No.	Page	Price Each	Part No.	Gov. Group No.	Page	Price Each
2298-41B.....	4700	43	\$ 3.00	2461-41A.....	4200	26	\$ 0.10
2299-33A.....	4700	43	.15	2461-41B.....	4200	26	.05
2299-39.....	4700	43	.60	2461-41D.....	4200	26	.75
2299-41.....	4700	43	.60	2463-34.....	4200	26	.10
2300-33.....	4700	43	2.50	2463-41A.....	4200	26	.10
2300-41.....	4700	43	2.50	2464-26.....	4200	26	.05
2303-33.....	4700	43	8.00	2465-26.....	4200	26	.10
2303-41.....	4700	43	8.00	2465-41.....	4200	26	.10
2305-33.....	4700	43	.20	2472-41A.....	4200	27	6.00
2305-39.....	4700	43	.10	2472-41B.....	4200	27	.01
2306-32.....	4200, 4700	27-43	.05	2473-41A.....	4200	27	.30
2306-32D.....	4700	43	.05	2475-41A.....	4200	27	.35
2306-32F.....	4700	43	.05	2477-41A.....	4200	27	.20
2306-32H.....	4700	43	.05	2478-41A.....	4200	27	.15
2306-32KA.....	4700	43	.05	2479-41A.....	4200	27	1.25
2306-42MA.....	4700	44	.05	2481-41A.....	4200	27	1.20
2308-33.....	4700	44	.25	2481-41C.....	4200	27	1.20
2312-26.....	4700	44	.40	2484-29.....	4200	27	1.40
2314-39.....	4700	45	.60	2484-41A.....	4200	27	2.25
2314-41.....	4700	45	.60	2485-12.....	4200	27	.01
2318-26.....	4700	45	.10	2485-40.....	4200	27	.01
2326-26.....	4304	29	.15	2485-41.....	4200	27	.01
2326-35.....	4700	45	.25	2485-41A.....	4200	27	.01
2326-38.....	4304	24-29	.15	2487-41A.....	4200	27	1.00
2326-41.....	4700	45	.25	2488-41.....	4200	27	.30
2328-27.....	4700	45	.20	2505-41A.....	4200	27	.50
2345-32A.....	4700	45	.20	2511-30.....	4200	27	.10
2345-32B.....	4700	45	.15	2511-41.....	4200	27	.10
2345-33.....	4700	45	3.50	2512-41.....	4200, 4700	26-43	.60
2345-36.....	4200	26-45	.35	2512-41A.....	4200	27	.05
2345-41.....	4700	45	4.00	2513-33.....	4200, 4700	26-43	7.00
2345-41B.....	4700	45	.15	2513-41.....	4200, 4700	26-43	7.00
2346-32.....	4700	45	.05	2514-33.....	4200	26	.40
2346-33.....	4700	45	.15	2514-41.....	4200	26	.40
2346-33A.....	4700	45	.15	2515-41.....	4200	26	.50
2346-33B.....	4700	45	.10	2515-41A.....	4200	26	.05
2346-41.....	4700	45	.05	2516-26A.....	4700	42	.50
2367-41.....	4700	43	.50	2516-26B.....	4700	42	.05
2402-41.....	4200	24	22.00	2516-26C.....	4700	42	.05
2409-38B.....	4200	24	2.50	2516-26D.....	4700	42	.05
2409-38CN.....	4200	25	.60	2516-26E.....	4700	42	.05
2410-36A.....	4200	25	.30	2516-26F.....	4700	42	.05
2411-40.....	4200	25	.10	2516-26G.....	4700	42	.05
2412-36N.....	4200	25	.20	2516-26H.....	4700	42	.05
2413-38.....	4200	25	.15	2516-26JA.....	4700	42	.05
2416-36.....	4200	25	.25	2516-26KA.....	4700	42	.05
2417-36.....	4200	25	.20	2516-26LA.....	4700	42	.05
2417-36B.....	4200	25	.20	2516-26MA.....	4700	42	.05
2419-36.....	4200	25	.15	2516-41A.....	4700	42	.75
2419-36A.....	4200	25	.20	2516-41B.....	4700	42	.10
2419-36B.....	4200	25	.05	2516-41C.....	4700	42	.10
2422-36.....	4200	25	.25	2516-41D.....	4700	42	.10
2423-30.....	5200	47	.05	2516-41E.....	4700	42	.10
2424-38.....	4200	25	.25	2516-41F.....	4700	42	.10
2424-41.....	4200	25	2.00	2516-41G.....	4700	42	.10
2425-41.....	4200	25	.05	2516-41H.....	4700	42	.10
2426-41.....	4200	25	1.75	2516-41JA.....	4700	42	.10
2427-40.....	4200	25	2.30	2518-33.....	4200	26	2.00
2431-41.....	4200	26	.10	2518-41.....	4200, 4700	26-43	2.00
2432-41.....	4200	26	.05	2520-33.....	4200	27	.25
2432-41A.....	4200	26	.05	2520-41.....	4200, 4700	27-43	.15
2436-26.....	4200	26	.50	2520-41A.....	4200, 4700	27-43	.20
2446-33.....	4200	26	.30	2521-33.....	4200	27	.35
2446-41.....	4200	26	1.50	2521-41.....	4200, 4700	27-43	.35
2448-36.....	4200	26	1.00	2522-33.....	4200	27	1.00
2458-38.....	4200	26	.05	2522-41.....	4200, 4700	27-43	1.00
2459-41A.....	4200	26	.10	2524-36.....	4200, 4700	27-43	.60
2461-36B.....	4200	26	.10	2528-33.....	4200	27	6.00
2461-41.....	4200	26	.10	2530-33.....	4200	27	.10

NUMERICAL LIST - CONTINUED

Part No.	Gov. Group No.	Page	Price Each	Part No.	Gov. Group No.	Page	Price Each
2531-33.....	4200	27	\$ 0.25	2813-40M.....	5506	54	\$ 0.10
2533-26.....	4200	27	.35	2818-41M.....	5506	54	6.00
2534-29.....	4200	27	.35	2820-41M.....	5506	55	.20
2535-31.....	4200	27	.50	2820-41MA.....	5506	55	.20
2536-33.....	4200	27	.75	2820-42.....	5506	55	.20
2537-33.....	4200	27	1.25	2823-26.....	5506, 5701	54, 56	.10
2538-33.....	4200	27	.25	2827-30.....	5506	54	.20
2539-33.....	4200	27	.25	2928-38.....	5705	56	1.00
2540-33.....	4200	27	.01	2929-32.....	5705	56	1.00
2543-31.....	4200	27	1.25	2932-14.....	5705	56	.10
2544-34.....	4200	27	5.50	2932-32.....	5705	56	.25
2547-34.....	4200	27	.50	2932-38.....	5705	56	.10
2548-40.....	4200	27	.30	2934-39N.....	5705	56	1.50
2549-34.....	4200	27	.10	2936-38N.....	5705	56	1.80
2550-34.....	4200	27	1.00	2938-40.....	5705	56	1.60
2551-29.....	4200	27	.05	2940-40.....	5705	56	.30
2552-29.....	4200	27	.05	2941-14.....	5705	56	.01
2602-40M.....	5406	52	38.00	2944-40.....	5705	56	.25
2605-40M.....	5406	52	19.00	2944-40A.....	5705	57	.25
2605-40N.....	5406	52	17.00	2945-14.....	5705	57	.02
2607-40M.....	5406	52	8.00	2949-35.....	5705	57	.25
2607-40N.....	5406	52	6.00	2950-35.....	5705	57	.30
2618-30A.....	5406	52	.40	2951-24.....	5705	57	.25
2620-37.....	5406	52	.60	2951-35.....	5705	57	.25
2622-30.....	5406	52	.20	2952-35.....	5705	57	.05
2622-36.....	5406	53	.20	2954-14.....	5705	57	.10
2631-36.....	5406	53	.60	2956-39.....	5705	57	1.50
2632-31.....	5406	53	.50	2958-35.....	5705	57	.50
2633-30A.....	5406	53	.05	2958-35A.....	5705	57	.15
2634-30.....	5406	53	.10	2960-36.....	5705	57	.35
2634-30A.....	5300	49	.10	2964-35.....	5705	58	.15
2634-36N.....	5406	53	.30	3051-36AN.....	5705	58	3.50
2636-30A.....	5406	53	1.80	3051-41N.....	5705	58	3.50
2640-30A.....	5406	53	.30	3060-38.....	5705	58	.20
2640-30B.....	5406	53	.30	3067-36A.....	5705	58	.20
2640-40M.....	5406	53	.30	3067-42.....	5705	58	.20
2641-30.....	5406, 5506	53-54-62	.10	3101-26.....	5804	60	.25
2642-40.....	5406	53	.05	3103-29.....	5804	60	.25
2644-30.....	4700, 5406	45, 53	.10	3103-41.....	5804	60	.25
2645-30A.....	5406	53	.20	3105-30N.....	5804	60	4.50
2752-30.....	5406	53	1.00	3105-41N.....	5804	60	4.50
2753-40.....	5406	53	.25	3110-37.....	5804	60	.60
2754-40.....	5406	53	1.25	3111-12.....	5804	60	.10
2756-39.....	5406	53	.60	3111-29.....	5804	60	.10
2759-36N.....	5406	54	.50	3112-29.....	5804	60	.10
2759-40N.....	5406	54	.50	3113-29.....	5804	60	.20
2776-40N.....	5406	54	3.00	3115-29.....	5804	60	1.50
2778-36N.....	5406	54	.75	3117-29.....	5804	60	.25
2779-40.....	5406	54	1.50	3118-29.....	5804	60	.05
2781-37.....	5406	54	.30	3119-13.....	5804	60	.10
2782-39.....	5406	54	.05	3121-30.....	5804	60	4.00
2783-30.....	5406	54	.05	3122-41M.....	5804	60	4.00
2784-30.....	5406	54	.10	3122-42M.....	5804	60	4.00
2785-30.....	5406	54	.10	3123-30.....	5804	60	4.00
2787-30.....	5406	54	.10	3128-29.....	5804	60	1.00
2788-30.....	5406	54	.05	3128-31.....	5804	60	.30
2790-30.....	5406	54	.15	3129-31.....	5804	60	.25
2791-30.....	5406	54	.15	3133-30.....	5804	60	.10
2792-40.....	5406	54	.30	3135-30.....	5804	60	.15
2802-37N.....	5506	54	50.00	3137-30.....	5804	60	.90
2802-41N.....	5506	54	50.00	3137-41M.....	5804	60	.90
2806-40A.....	5506	54	.15	3138-31.....	5804	60	.25
2806-40M.....	5506	54	.50	3141-29.....	5804	60	.30
2807-30.....	4301, 5506	28, 54	.10	3143-25.....	5804	60	.20
2810-40M.....	5506	54	6.50	3144-25.....	5804	60	.10
2811-40M.....	5506	54	.20	3147-29A.....	5804	60	.20
2811-40MA.....	5506	54	.20	3181-40M.....	5804	61	9.00
2811-41M.....	5506	54	.20	3182-25.....	5804	61	.30
2812-40M.....	5506	54	.30	3187-34.....	5804	61	.20

NUMERICAL LIST - CONTINUED

Part No.	Gov. Group No.	Page	Price Each	Part No.	Gov. Group No.	Page	Price Each
3189-34.....	5804	61	\$ 0.10	3623-41M.....	4304	29	\$ 1.00
3205-34.....	5804	62	.10	3624-39.....	4304	29	.50
3209-31.....	5804	62	.05	3624-41M.....	4304	29	.50
3302-37AN.....	5404	51	20.00	3627-32.....	4304	30	.20
3302-37N.....	5404	51	20.00	3627-39.....	4304	30	.15
3307-36AN.....	5404	51	10.00	3629-32.....	4304	30	.25
3307-36N.....	5404	51	10.00	3633-32.....	4304	30	.05
3310-35B.....	5404	52	.20	3633-40.....	4304	30	1.00
3312-35N.....	5404	52	2.00	3634-40.....	4304	30	.05
3316-36.....	5404	52	.35	3635-40.....	4304	30	.05
3320-10.....	5404	52	.05	3636-40.....	4304	30	.20
3321-31.....	5404	52	.10	3637-40N.....	4304	30	.25
3322-31.....	5404	52	.05	3638-40.....	4304	30	.05
3324-09.....	5404	52	.03	3639-40.....	4304	30	.50
3326-09.....	5404	52	.15	3640-40.....	4304	30	.20
3330-36.....	5404	52	.25	3702-40M.....	5701	55	5.50
3332-36.....	5404	52	.15	3702-42M.....	5701	55	5.50
3333-31.....	5404	52	.05	3710-40M.....	5701	55	9.50
3334-32.....	5404	52	.85	3710-41M.....	5701	55	9.50
3338-32.....	5404	52	.75	3710-42M.....	5701	55	9.50
3344-26.....	5404	52	.05	3712-40M.....	5701	55	3.30
3345-26.....	5404	52	.05	3712-41M.....	5701	55	3.30
3370-36.....	5404	52	.15	3712-42M.....	5701	55	3.30
3371-36A.....	5404	52	.10	3726-40M.....	5701	55	.70
3371-37.....	5404	52	.25	3727-40M.....	5701	55	.70
3393-37.....	5404	52	.25	3730-36.....	5701	55	.30
3393-38.....	5404	52	.10	3732-34.....	5701	55	.10
3452-35AN.....	5806	62	3.90	3732-34A.....	5701	55	.10
3452-40N.....	5806	62	3.90	3736-35.....	5701	55	.50
3456-35N.....	5806	62	1.40	3736-41.....	5701	55	.50
3456-40N.....	5806	62	1.40	3737-36.....	5701	55	.30
3457-40.....	5806	62	.10	3739-34.....	5701	55	.30
3458-40.....	5806	62	.05	3741-34.....	5701	55	.30
3464-26.....	5806	62	.10	3743-23.....	5701	55	.05
3467-35N.....	5806	62	.50	3746-29.....	5701	55	.20
3467-41N.....	5806	62	.50	3746-36A.....	5701, 5706	55-59	.30
3478-35.....	5806	63	.05	3748-26.....	5701, 5800	55-60	.10
3501-40BM.....	4304	29	13.50	3749-30.....	5701	56	.05
3502-37EN.....	4304	29	.50	3750-40M.....	5701	56	.25
3502-40BM.....	4304	29	13.50	3750-40MA.....	5701	56	.25
3504-38C.....	4304	29	.05	3751-34.....	5701	56	.50
3505-37.....	4304	29	.25	3751-39.....	5701	56	.75
3505-37A.....	4304	29	.30	3751-41M.....	5701	56	.75
3507-36N.....	4304	29	.50	3752-30.....	5701	56	.05
3507-37N.....	4304	29	.70	3757-26.....	5701	56	.50
3509-36.....	4304	29	.10	3801-32N.....	5706	58	3.00
3509-36A.....	4304	29	.15	3804-32N.....	5706	58	1.00
3529-37.....	4304, 5506	29-54	.10	3804-41.....	5706	58	1.00
3531-40M.....	4304	29	.60	3805-30A.....	5706, 5806	58-62	.05
3532-18.....	4304	29	.05	3805-30B.....	5706	58	.05
3532-18S.....	4304	29	.05	3805-32D.....	5706	58	.05
3533-18.....	4304	29	.02	3805-32N.....	5706	58	1.00
3534-34.....	4304	29	.02	3805-39.....	5706	58	.15
3563-12.....	4200	26	.05	3806-41.....	5706	58	.15
3571-37A.....	4304	29	1.00	3807-26.....	5706	58	.08
3571-38D.....	4304	29	1.40	3811-29N.....	5706	58	.25
3572-36A.....	4304	29	.40	3812-29.....	5706	58	.10
3572-36B.....	4304	29	.40	3813-29.....	5706	59	.10
3572-36C.....	4304	24-29	.05	3814-29.....	5706	59	.05
3572-37A.....	4304	29	1.20	3815-29.....	5706	59	.02
3577-15.....	4304	29	.25	3818-36N.....	5706	59	1.00
3607-40A.....	4304	29	1.00	3828-36.....	5706	59	.10
3607-41M.....	4304	29	1.00	3901-30N.....	5300	49	17.50
3612-39.....	4304	29	.10	3906-30N.....	5300	49	9.00
3613-39.....	4304	30	.05	3909-30N.....	5300	49	5.00
3614-39.....	4304	30	.25	3910-30.....	5300	49	.30
3615-15.....	4304	29	.10	3910-37.....	5300	49	.10
3623-39.....	4304	29	1.00	3921-30.....	5300	49	1.80
				3923-30.....	5300	49	.80

NUMERICAL LIST - CONTINUED

Part No.	Gov. Group No.	Page	Price Each	Part No.	Gov. Group No.	Page	Price Each
3925-30.....	5300	49	\$ 0.05	4114-41.....	5200	47	1.30
3926-30.....	5300	49	.05	4116-30.....	5300	50	.35
3929-30.....	5300	49	.15	4117-30.....	5300	50	.90
3932-30.....	5300	49	.10	4118-29.....	5300	50	.10
3935-30.....	5300	49	.60	4118-35.....	5200, 5300	47-50	.40
3940-35N.....	5300	49	2.25	4119-29.....	5300	50	.10
3941-30N.....	5300	49	2.25	4119-35.....	5200, 5300	47-50	.25
3943-30N.....	5300	49	.04	4120-29.....	5300	50	.10
3943-36N.....	5300	49	.07	4121-29.....	5300	50	.10
3945-30N.....	5300	49	.04	4122-30.....	5300	50	.10
3947-16N.....	5300	49	.02	4123-31.....	5300	50	.25
3947-29N.....	5300	49	.04	4124-31.....	5300	50	.80
3951-36N.....	5300	48	17.00	4124-38A.....	5300	50	.15
3958-36N.....	5300	48	11.00	4125-28A.....	5200, 5300	47-50	.10
3960-36N.....	5300	48	7.00	4130-40.....	5300	50	1.50
3963-35.....	5300	48	2.00	4131-28.....	5300	50	.35
3965-35.....	5300	48	.10	4133-36.....	5300	51	.25
3966-39.....	5300	48	.25	4133-40.....	5300	51	.05
3967-35.....	5300	48	.40	4137-30.....	5300	51	.30
3968-35.....	5300	48	.05	4140-29.....	5300	51	.15
3970-35.....	5300	49	.10	4141-39.....	5300	51	.20
3972-35.....	5300	49	.35	4142-39.....	5300	51	.05
3974-35.....	5300	49	.30	4142-39A.....	5300	51	.05
3975-35.....	5300	49	.05	4143-30.....	5300	51	1.20
3976-35.....	5300	49	.05	4143-30A.....	5300	51	.80
3978-35.....	5300	49	.70	4143-30B.....	5300	51	.20
3980-35.....	5300	49	.10	4144-30.....	5300	51	.05
3982-35.....	5300	49	.15	4144-30A.....	5300	51	.10
3995-35.....	5300	49	2.50	4144-30B.....	5300	51	.01
3995-41.....	5300	49	2.50	4144-41.....	5300	51	.01
4001-35.....	5300	49	.10	4145-28.....	5300	51	.40
4004-35.....	5300	49	.75	4146-15.....	5300	51	.05
4004-41.....	5300	49	1.00	4149-28N.....	5300	51	3.00
4005-35.....	5300	49	.15	4149-41N.....	5300	51	3.00
4006-35.....	5300	49	.20	4150-28N.....	5300	51	2.00
4007-38.....	5300	49	.25	4150-41N.....	5300	51	2.00
4026-35.....	5200, 5300	47-49	.20	4151-28.....	5300	51	1.00
4026-35S.....	5200, 5300	47-49	.20	4151-41N.....	5300	51	1.00
4029-37AN.....	5200	47	11.00	4152-41.....	5300	51	.20
4029-41N.....	5200	47	11.00	4153-28N.....	4607, 5300	38-51	.30
4032-37N.....	5200	47	9.00	4154-28.....	5300	51	.10
4032-41AN.....	5200	47	6.00	4156-28.....	5300	51	.10
4032-41N.....	5200	47	9.00	4156-41.....	5300	51	.10
4033-35.....	5200	47	.02	4157-28.....	5300	51	.02
4034-35.....	5200	47	.50	4160-28.....	5300	51	.15
4035-37.....	5200	47	.15	4162-30.....	5300	51	.15
4036-37AN.....	5200	47	4.00	4162-36.....	5300	51	.15
4037-35.....	5200	47	.25	4163-40.....	5300	51	.10
4038-41.....	5200	47	2.00	4165-28.....	5300	51	.20
4039-41.....	5200	47	2.00	4165-41.....	5300	51	.35
4046-31.....	5200, 5300	47-50	.01	4166-28.....	5300	51	.05
4054-35.....	5200	47	.80	4170-28.....	5300	51	.40
4055-35.....	5200	47	.05	4171-29.....	5300	51	.20
4056-35.....	5200	47	1.25	4303-29.....	5800	59	8.95
4056-41.....	5200	47	1.00	4381-29.....	5800	59	.10
4058-41.....	5200	47	.35	4383-28.....	5800	59	.02
4065-35.....	5200	47	.40	4404-29N.....	5800	59	4.50
4067-30.....	5200	47	.50	4407-29N.....	5800	59	.60
4069-26.....	5300	51	.05	4409-24.....	5800	59	.05
4073-39.....	5200	48	.30	4409-26.....	5804	62	.05
4075-35.....	5200	48	1.00	4411-24.....	5800	59	.25
4108-31AN.....	5300	49	4.00	4411-41.....	5800	59	.25
4108-41N.....	5300	49	4.00	4413-24.....	5800	59	.05
4110-30N.....	5300	49	1.50	4417-29.....	5701, 5800	55-60	.10
4111-31.....	5200, 5300	47-50	2.00	4427-15.....	5800	60	.20
4112-31.....	5300	47-50	2.00	4433-23.....	5800	60	.10
4114-35.....	5300	47-50	\$ 1.30	4433-23A.....	5800	60	.05
				4434-23.....	5800	60	.05

NUMERICAL LIST - CONTINUED

Part No.	Gov. Group No.	Page	Price Each	Part No.	Gov. Group No.	Page	Price Each
4501-41M.....	4605	34	\$ 14.50	4709-42M.....	4606	37	\$ 0.20
4501-42M.....	4605	34	14.50	4710-40.....	4606	37	.25
4505-39A.....	4605	35	.03	4712-36.....	4606	37	.10
4505-39N.....	4605	34	3.00	4712-41M.....	4606	37	.10
4506-36.....	4605	35	.10	4727-42.....	4606	37	.10
4508-36.....	4605	35	.20	4728-25.....	4606	37	.10
4508-38.....	4605	35	.10	4730-30A.....	4606	37	.25
4509-38.....	4605	35	.20	4733-39.....	4606	37	.15
4509-38A.....	4605	35	.05	4733-41M.....	4606	37	.75
4509-38B.....	4605	35	.05	4733-41MA.....	4606	37	.25
4510-36.....	4605	35	.05	4736-41M.....	4606	36	5.00
4516-39N.....	4605	35	3.00	4736-42M.....	4606	36	7.00
4516-41M.....	4605	35	3.00	4760-26N.....	4600	34	.80
4516-41MA.....	4605	35	1.50	4760-29N.....	4600	34	1.00
4518-36.....	4605	35	.05	4762-26.....	4600	34	.05
4519-39.....	4605	35	.15	4764-26.....	4304	30, 34	.05
4519-39A.....	4605	35	.15	4764-29.....	4600	34	.10
4523-39.....	4605	35	.25	4766-26.....	4600	34	.10
4523-39A.....	4605	35	.25	4766-29.....	4600	34	.05
4524-39.....	4605	35	.30	4768-26N.....	4600	34	.35
4524-41M.....	4605	35	.30	4768-29N.....	4600	34	.50
4525-39.....	4605	35	.30	4770-29.....	4600	34	.05
4525-41M.....	4605	35	.30	4771-29.....	4600	34	.05
4527-41M.....	4605	36	4.00	4776-26.....	4600	34	.05
4529-41MA.....	4605	36	1.25	4776-29.....	4600	34	.20
4531-36N.....	4605	36	.35	4777-26.....	4600	34	.05
4534-36.....	4605	36	.02	4777-29.....	4600	34	.05
4534-41M.....	4605	36	.25	4785-38.....	5800	60	1.50
4536-41M.....	4605	36	.35	4786-38.....	5800	60	.35
4539-41M.....	4605	36	.40	4787-26.....	5800	60	.02
4539-41MA.....	4605	36	1.25	4800-42M.....	4609	40	4.00
4540-41M.....	4605	36	.05	4801-42AM.....	4609	40	3.00
4541-41M.....	4605	36	.10	4801-42M.....	4609	40	3.00
4545-36.....	4605	36	.50	4809-31N.....	4609	40	1.20
4548-41.....	4605	36	1.10	4813-31.....	4609	40	.10
4550-39.....	4605	36	.60	4824-31.....	4609	40	.10
4551-37.....	4605	36	.15	4827-31.....	4609	40	.10
4551-37A.....	4605	36	.01	4829-31.....	4609	40	.10
4552-39.....	4605	36	.15	4829-42.....	4609	40	.30
4553-37.....	4605	36	.05	4829-42M.....	4609	40	.40
4554-36.....	4605	36	.25	4855-42.....	4609	40	.10
4554-37.....	4605	36	.02	4856-42.....	4609	40	.05
4555-37.....	4605	36	.05	4856-42M.....	4609	40	.05
4556-39N.....	4605	36	.10	4857-36.....	4609	41	.20
4557-37.....	4605	36	.05	4857-36A.....	4609	41	.10
4558-37.....	4605	36	.02	4858-36.....	4609	41	.25
4559-37.....	4605	36	.01	4861-29.....	4609	41	.10
4560-41MA.....	4605	36	.05	4862-29.....	4609	41	.05
4701-41M.....	4606	36	1.50	4862-31.....	4609	41	.05
4702-38.....	4606	36	1.00	4901-35N.....	4607, 4608	37	5.50
4702-41M.....	4606	36	.50	4901-41M.....	4608	39	2.00
4703-36A.....	4606	37	.05	4901-42M.....	4607, 4608	38	6.75
4703-38A.....	4606	37	.05	4904-35N.....	4607, 4608	37	3.00
4703-41M.....	4606	36	1.00	4904-42.....	4607, 4608	38	1.20
4704-41M.....	4606	36	1.50	4905-29.....	4607, 4608	37	.15
4704-42M.....	4606	36	3.00	4906-35.....	4607, 4608	37	.75
4706-36.....	4606	37	.15	4906-41M.....	4608	39	.30
4706-39.....	4606	37	.15	4908-41M.....	4608	39	.25
4706-41.....	4606	37	.15	4909-42.....	4607, 4608	38	2.50
4706-41M.....	4606	37	.60	4909-42A.....	4607, 4608	38	.50
4706-41MA.....	4606	37	.05	4910-35.....	4607, 4608	37	.05
4706-41MB.....	4606	37	.20	4910-41M.....	4608	39	.10
4706-41MC.....	4606	37	.60	4910-42.....	4607, 4608	38	.05
4707-39.....	4606	37	.40	4910-42A.....	4607, 4608	38	.05
4708-41M.....	4606	37	.20	4912-35.....	4607, 4608	37	.10
4709-38.....	4606	37	.50	4912-41M.....	4608	39	.10

NUMERICAL LIST - CONTINUED

Part No.	Gov. Group No.	Page	Price Each	Part No.	Gov. Group No.	Page	Price Each
4912-42M.....	4608	39	.15	6114-36.....	6100	64	.15
4914-35N.....	4607, 4608	37	.85	6650-18.....	5406	58	.10
4914-41M.....	4608	39	.25	6658-25.....	2300	14	.05
4914-42.....	4607, 4608	38	.50	7107-37.....	2300	14	.05
4914-42M.....	4608	39	1.60	7223-34.....	4106, 4301	20-28	.10
4915-35.....	4607, 4608	37	.15	11126-41.....	6203	64	14.25
4918-35.....	4607, 4608	37	.05	11132-37.....	6203	64	5.50
4918-41M.....	4608	39	.02	11134-37.....	6203	64	3.00
4918-42.....	4607, 4608	38	.05	11134-41.....	6203	64	3.00
4922-35.....	4607, 4608	37	1.00	11136-37.....	6203	64	.15
4925-35.....	4607, 4608	38	.45	11136-41.....	6203	64	.15
4927-15.....	4608	35-39-40	.12	11138-37.....	6203	64	2.00
4935-35.....	4607, 4608	38	.60	11139-37.....	6203	64	.10
4935-42.....	4607, 4608	38	.10	11144-37.....	6203	64	1.35
4938-35.....	4607, 4608	38	.30	11145-37A.....	6203	64	1.00
4940-35.....	4607, 4608	38	.02	11150-37.....	6203	64	.20
4941-35.....	4607, 4608	38	.02	11201-42M.....	2306	17	6.50
4966-36N.....	4607, 4608	38	.75	11202-42M.....	2306	17	3.50
4966-42M.....	4607, 4608	38	1.50	11203-42M.....	2306	17	1.50
4967-42MA.....	4607, 4608	38	1.00	11204-42M.....	2306	17	.50
4967-42MC.....	4607, 4608	38	.15	11205-42M.....	2306	17	.35
4967-42MD.....	4607, 4608	38	.05	11206-42.....	2306	17	.05
4969-40M.....	4607, 4608	38	.15	11240-29N.....	5804	62	12.75
4971-42M.....	4607, 4608	38	.05	11241-29.....	5804	62	.75
4971-42MA.....	4607, 4608	38	.05	11292-36NC.....	2300	14	8.50
4972-42.....	4607, 4608	38	1.00	11296-38N.....	2300	14	5.00
4972-42A.....	4607, 4608	38	.05	11298-30N.....	2300	14	4.00
4972-42B.....	4607, 4608	38	.05	11299-30.....	2300	14	4.50
5051-34N.....	4607, 4608	38	2.20	11299-41AN.....	2300	14	4.00
5052-41M.....	4608	39	4.75	11299-41N.....	2300	14	3.00
5052-42M.....	4608	39	4.75	11300-30.....	2300	14	1.50
5053-41M.....	4608	40	.05	11300-41A.....	2300	15	3.00
5054-20.....	4607, 4608	38	.15	11300-41B.....	2300	14	3.00
5054-41M.....	4608	40	.25	11301-31.....	2300	15	.20
5054-42M.....	4608	40	.40	11301-31A.....	2300	15	.60
5054-42MA.....	4608	40	.40	11302-30A.....	2300	15	2.50
5056-20.....	4607, 4608	38	.05	11302-30N.....	2300	14-15	.40
5056-41M.....	4608	40	.02	11302-41N.....	2300	14	2.50
5056-42M.....	4608	40	.05	11303-30.....	2300	15	.20
5058-34.....	4607, 4608	39	.35	11304-42.....	2300	15	.30
5058-41M.....	4608	40	.05	11304-42A.....	2300	15	.10
5060-41M.....	4608	40	.35	11305-30N.....	2300	15	.20
5061-34.....	4607, 4608	39	.35	11305-36N.....	2300	14-15	.90
5062-34.....	4607, 4608	39	.10	11305-41N.....	2300	15	.90
5062-41M.....	4608	40	.35	11306-30N.....	2300	15	5.00
5063-30.....	4607, 4608	39	.01	11306-41AN.....	2300	15	5.00
5064-41M.....	4608	40	.25	11306-41BN.....	2300	14	2.80
5065-25.....	4607, 4608	39	.25	11307-31.....	2300	16	.15
5066-41M.....	4608	40	.10	11307-39N.....	2300	16	3.00
5067-25.....	4607, 4608	39	.03	11307-41N.....	2300	14	.10
5067-36.....	4607, 4608	39	.03	11308-30N.....	2300	16	3.00
5068-41M.....	4608	40	.10	11311-32AN.....	2300	16	1.20
5070-41M.....	4608	40	.20	11312-30N.....	2300	16	.25
5072-41M.....	4608	40	.10	11314-30N.....	2300	16	.20
5074-41M.....	4608	40	.02	11314-38N.....	2300	16	.20
5075-41M.....	4608	40	.75	11315-30.....	2300	16	.75
5076-41M.....	4608	40	.05	11315-38.....	2300	16	.75
5077-42M.....	4608	40	2.00	11317-30N.....	2300	16	.30
5077-42MA.....	4608	40	1.90	11318-36.....	2300	16	.05
5077-42MB.....	4608	40	1.60	11318-36A.....	2300	16	.05
5078-41M.....	4608	40	.10	11319-41A.....	2300	14	.30
5078-42.....	4608	40	.15	11319-41B.....	2300	15	.30
5081-39.....	4607, 4608	39	.75	11319-41D.....	2300	15	.05
5082-39.....	4607, 4608	39	.15	11319-41E.....	2300	14-15	.05
5084-39.....	4607, 4608	39	.05	11319-41F.....	2300	14	.05
5088-39A.....	4607, 4608	39	.05	11319-41N.....	2300	14	.50
6033-30.....	5404	52	.15	11331-32A.....	5705	58	3.50

NUMERICAL LIST - CONTINUED

Part No.	Gov. Group No.	Page	Price Each	Part No.	Gov. Group No.	Page	Price Each
11331-40M.....	5705	58	3.50	12053-30.....	2306	65	3.30
11350-41M.....	2306	17	2.50	12054-30.....	2306	65	1.10
11350-41MA.....	2306	17	.30	12057-X.....	2306	66	4.70
11551-X.....	2306	16	.75	12058-X.....	2306	66	4.80
11553-41M.....	2306	17	2.00	12059-X.....	2306	66	16.75
11557-40M.....	2306	17	.15	12062-X.....	2306	66	12.00
11661-38A.....	2306	17	2.00	12063-X.....	2306	66	17.50
11662-40.....	2306	65	26.00	12065-X.....	2306	66	14.00
11786-XM.....	2306	17	12.50	12067-42.....	2306	66	10.30
11800-40A.....	2306	16	5.50	12082-X.....	2306	66	10.50
11804-X.....	2306	16	.25	12082-XA.....	2306	66	8.00
11805-40.....	2306	16	.35	12132-36.....	2306	66	13.50
11806-31.....	2306	16-65	.25	12132-42.....	2306	66	5.80
11811-X.....	2306	16	.30	12133-37.....	2306	66	17.00
11812-X.....	2306	16	.50	12135-37.....	2306	66	12.50
11814-35.....	2306	16	.60	12621-26.....	2306	67	1.30
11815-35.....	2306	16	.30	12622-26.....	2306	67	1.30
11817-40.....	2306	16	.35	12623-26.....	2306	67	3.10
11819-XA.....	2306	16	.35	12645-29.....	2306	67	2.00
11828-X.....	2306	65	33.70	12650-29.....	2306	67	1.75
11831-X.....	2306	65	1.00	12655-26.....	2306	67	1.30
11840-X.....	2306	65	.15	12660-26B.....	2306	67	5.80
11844-X.....	2306	65	13.50	12731-29.....	2306	67	2.00
11845-X.....	2306	65	2.00	12735-42.....	2306	67	5.50
11846-X.....	2306	65	215.75	12745-26.....	2306	67	4.50
11849-X.....	2306	65	5.20	12745-41.....	2306	67	3.00
11882-39.....	2306	65	.75	12747-41.....	2306	67	.50
11890-29.....	2306	65	4.75	13020-35N.....	6100	63	5.50
11898-X.....	2306	65	3.50	13030-29N.....	6100	63	5.50
11904-X.....	2306	65	.40	13051-X.....	6100	63	.25
11915-X.....	2306	65	11.00	13051-38.....	6100	64	.20
11929-39.....	2306	16	1.25	13052-38.....	6100	64	.10
11929-40.....	2306	65	1.25	13200-32.....	5705	58	1.40
11944-X.....	2306	65	10.00	13201-30A.....	5705	58	1.10
11950-X.....	2306	65	1.25	13201-40M.....	5705	58	1.10
11952-36.....	2306	65	14.50	13202-30.....	5705	58	.15
11954-40.....	2306	65	27.00	13203-30A.....	5705	58	.15
11960-38.....	2306	65	3.50	13205-30.....	5705	58	.25
11962-X.....	2306	65	50.00	13300-33.....	5804	62	10.00
11963-X.....	2306	65	3.70	13304-33.....	5804	62	.10
11964-X.....	2306	65	7.30	13306-33N.....	5804	62	.95
11967-38.....	2306	65	1.00	13310-33.....	5804	62	.15
11969-X.....	2306	65	4.80	13312-33.....	5804	62	.15
11970-X.....	2306	65	2.80	13313-38.....	5804	62	.10
11973-X.....	2306	65	1.50	13314-33.....	5804	62	.10
11974-X.....	2306	65	2.20	13316-33.....	5804	62	.10
12003-X.....	2306	65	2.40	13322-33N.....	5804	62	.30
12012-38.....	2306	65	6.00	13327-33N.....	5804	62	.90
12022-41.....	2306	65	3.50	13327-41N.....	5804	62	.90
12025-35.....	2306	65	1.00	13328-35.....	5804	62	.15
12028-X.....	2306	65	23.00	13328-41.....	5804	62	.15
12032-X.....	2306	65	1.20	13330-36.....	5804	62	.15
12033-39.....	2306	65	2.50	13331-33N.....	5804	62	.80
12034-X.....	2306	65	4.50	13331-41N.....	5804	62	.40
12039-X.....	2306	65	1.50	13337-41.....	5804	62	.10
12039-38.....	2306	16	1.50	13340-33N.....	5804	62	.15
12043-36.....	2306	65	8.00	13340-41N.....	5804	62	.25
12047-30A.....	2306	65	1.50	13342-38.....	5804	62	.25
12052-32.....	2306	65	1.10	13349-33.....	5804	62	.05

