

Harley-Davidson

PARTS CATALOG

1976

**Electra Glide - FL/FLH
Super Glide - FX/FXE**

1961 to

GENERAL INFORMATION

This Parts catalog has been prepared for your convenience when ordering parts for ELECTRA GLIDE Models FL, FLH and SUPER GLIDE Models FX, FXE. Wherever possible parts are shown in assembly breakdown sequence. Index numbers shown in the illustrations correspond to index numbers in parts lists. Consult the illustrations when ordering parts so you are sure to get just what you want. Only the latest parts are shown in the illustrations, however, parts lists cover all parts used from 1961 to 1976.

Number in parenthesis following description of part is the quantity needed for complete assembly shown in illustration. If there is no number in parenthesis, only one is used.

Prices of all parts and accessories listed in this catalog are published separately in the latest RETAIL PRICE LIST.

The following instructions should be followed very carefully when ordering spare parts:

- Specify the correct part number on each item. Check the "Used On" column of the parts list which shows the model on which the part fits. Whenever in doubt, refer to the Vehicle Identification Number stamped on the engine crankcase.

Two types of serial numbers are used:

1. **1969 and earlier:** Serial number is located on the engine left crankcase. The first four or five digits represent the year and model -- the same as shown in the "Used On" column in this catalog.
2. **1970 and later:** Vehicle Identification Number (V. I. N.) is located on the engine right crankcase and is the same as the number located on the frame steering head.

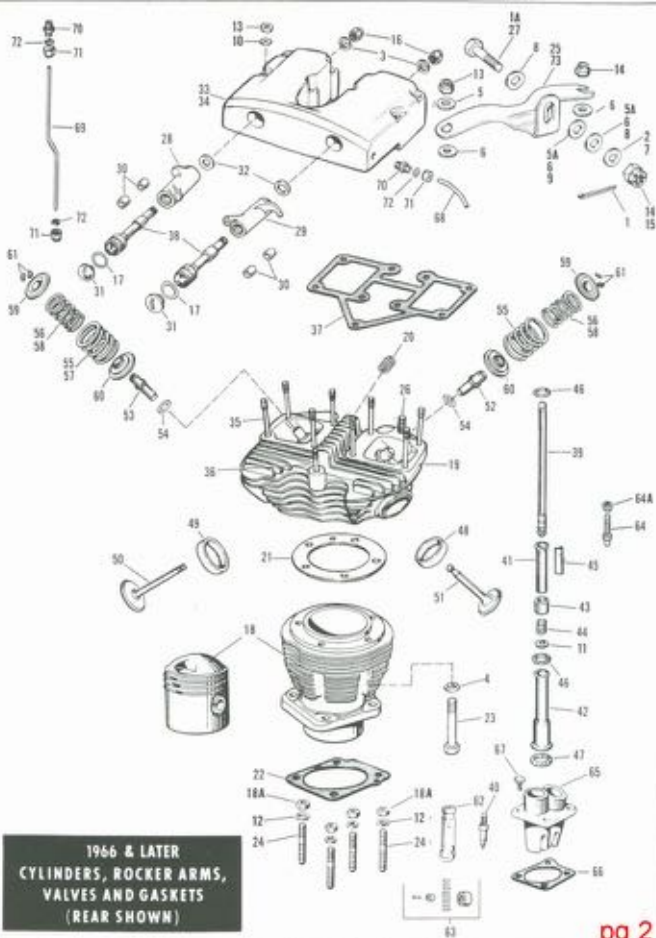
The V. I. N. (vehicle identification number) for ELECTRA GLIDE and SUPER GLIDE models are as follows:

ELECTRA GLIDE (Model)	First Two Digits (Model)	Next Five Digits (Sequential Number)	Second Last Digit (Manufacturer)	Last Digit (Model Season)
FL	1A	10000 and up	H	4-1974
FLH	2A			5-1975
SUPER GLIDE (Model)	First Two Digits (Model)	Example:		
FX	2C	1975 FL (1A 12150 H5)		
FXE	3D	1976 FLH (2A 12151 H6)		
		1975 FX (2C 12152 H5)		
		1974 FXE (3D 12153 H4)		

- An asterisk (*) in the "Used On" column indicates part is used up to and including 1971 models (the latest model year covered by this catalog).

ALPHABETICAL INDEX

	Page		Page
Air Cleaner	27	Lubricator Fitting	127
Alternator - 1970 & Later	33	Liberty Edition	234
Axle - front	69, 71, 75, 77	License Plate Brackets	105, 110
Axle - rear	63, 69, 71, 73	Luggage Box	113
Axle - Sidecar	206	Luggage Carrier	113
Batteries	157, 159	Numbers	148, 149, 151, 153, 195
Brake - front	79, 81, 83, 85	Name Plates	105, 111, 131, 143, 205
Brake - rear	65, 79	Oil Filter	147
Brake - Sidecar	209	Oil Lines	145
Brake Control - Front	83	Oil Pressure Switch	15
Brake Control - Rear	61, 67	Oil Pump	15
Brake, Disc - Water Cylinder	63	Oil Tanks	145
Buddy Seat	107, 108	Parking Lamps	175
Bumpers	153	Passing Lamps	180
Carburetor - 1976 & Later	17	Pinions	7
Carburetor - 1972 to 1975	19	Piston Pins	7
Carburetor - 1967 to 1970	20	Piston Rings	7
Carburetor - 1964	23	Pursuit Lamps	180
Carburetor - 1965 & Earlier	25	Push Rods	3, 6
Center Stand	99	Radio Carriers	203
Chain	58	Rims	69, 71, 73, 75, 77
Chain Guards	133, 139	Rocker Arms	3, 6
Chain Raising	136	Rotating Beam Lamp	185
Chain Oil - front	137	Saddlery	211
Chain Oil - rear	145	Safety Guards	87
Choke	27	Seats	101, 105, 107, 108, 109
Circuit Breaker	33, 35, 31	Seat Post	103
Clutch	52	Security System	125
Clutch Booster	52	Shifter	45, 48
Clutch Foot Control	53	Sidecar Body	205
Clutch Hand Control	52	Shock Absorbers	112
Compensating Sprcket	39	Sires	214
Connecting Rods	7	Spark Cables	27
Crankcase	9	Spark Coil	27
Cycle Signal Lamp	165	Spark Plug	27
Cylinders	3, 4	Speedometer	161, 163
Electrical	182	Spokes	69, 71, 73, 75, 77, 207
Exhaust Pipes	148, 149, 151, 153, 155	Spooling	180
Fenders	130, 133	Sprockets	58
Fender Lamp	179	Sprocket Shaft	9
Fender - Sidecar	209	Starter Motor - Delco Remy	48
Fire Extinguisher	217	Starter Motor - Prestolite	41
Flywheels	7	Starter Motor - Rotax	43
Footboards	101	Starter Shaft	35
Footrest	111	Steering Damper	94
Footrest	45	Switches	191, 192, 193, 195, 197
Fork - front	67, 69, 91, 93	Tachometer	161, 163
Fork - rear	95	Tail Lamps	105, 173
Forks	35	Tanks	140, 145
Forks - Sidecar	205	Tank Trim	140
Front Fender Lamp	179	Tappets	3, 4
Gages	199	Terminal Plate	180
Gaskets	3, 4	Throttle Control	112
Gear Case Covers	12	Timer	32
Gear Shifts	8	Tire-Pak	113
Gear Shifters	45, 48	Transmission	30
Generator - 1969 & Earlier	29	Tire Signals	170, 173
Headlamps	116	Valves	3, 4
Headstall	48	Valve Covers	3, 4
Headlamp	167, 169	Voltage Regulator	201
Horn	183	Wheels	69, 71, 73, 75, 77
Indicator Lamps	175	Wheel - Sidecar	207
Intake Manifold	19, 21, 23, 25	Windshield	121, 123, 125, 128
Instrument Panel	189	Windshield Fitting	123, 127
Jiffy Stand	49	Windshield - Sidecar	206
Kick Starter	44	Winter Windshield	128
Leg Shields	129	Wiring	185



**1966 & LATER
 CYLINDERS, ROCKER ARMS,
 VALVES AND GASKETS
 (REAR SHOWN)**

1966 & LATER - CYLINDERS, ROCKER ARMS, VALVES & GASKETS

INDEX NO.	PART NO.	NAME	USED ON
1	534	COUPLER, 3/32 x 7/8	66 to 72 - FL, FLH, FX
1A	4726	BOLT, engine bracket (center), 7/16-20 x 1-1/2 hex. Hd.	73 to * - FL, FLH, FX
2	6416	WASHER, 3/8 x 1 x 5/64	Late 71 to * - FL, FLH, FX
3	6469W	WASHER, 7/16 x 3/4 x .025 (2)	66 to * - FL, FLH, FX
4	6469HW	WASHER, 7/16 x 3/4 x 1/8 (3)	66 to * - FL, FLH, FX
5	6469HW	WASHER, 7/16 x 15/16 x 3/8 (rear cylinder only)	66 to * - FL, FLH, FX
5A	6469HW	WASHER, engine upper mounting, 7/16 x 1-1/8 x 1/16	Late 70 to * - FL, FLH, FX
6	6516HW	WASHER, 7/16 x 1-1/8 x 3/8 (2)	66 to * - FL, FLH, FX
7	6521W	WASHER, 29/64 x 1-1/8 x 3/32	66 to 69 - FL, FLH
8	6523-60	WASHER, 29/64 x 1-1/8 x 5/32 (2)	66 to * - FL, FLH, FX
9	6524W	WASHER, 29/64 x 1-1/8 x 3/64	66 to 69 - FL, FLH
10	6702	WASHER, 5/16 x 1 1/16 x 3/16 (4)	66 to * - FL, FLH, FX
11	6762B	WASHER, 1 1/16 x 29/64 x 1/32 (2)	66 to * - FL, FLH, FX
12	7039	LOCKWASHER, 7/16 (6)	66 to * - FL, FLH, FX
13	7156	NUT, 5/16-24 x 17/64 x 1-2 hex. (8)	66 to * - FL, FLH, FX
14	7825	LOCKNUT, 7/16-20 x 7/16 x 5/8 hex.	66 to * - FL, FLH, FX
15	7867W	CASTLE NUT, 7/16-20	66 to 72 - FL, FLH, FX
16	7872	ACORN NUT, 3/8-20 (2)	66 to * - FL, FLH, FX
17	71101	O-RING, rocker arm shaft (2)	66 to * - FL, FLH, FX
	18091-76	ENGINE ASSEMBLY, complete (Low Compression)	76 to * - FL
	18092-76	ENGINE ASSEMBLY, complete (High Compression)	76 to * - FLH, FX
18	18484-66B	FRONT CYLINDER WITH PISTON	66 to 73 - FL
	18484-74	FRONT CYLINDER WITH PISTON	74 to * - FL
	18485-66B	FRONT CYLINDER WITH PISTON	66 to 73 - FLH, FX
	18485-74	FRONT CYLINDER WITH PISTON	74 to * - FLH, FX
	18492-66B	REAR CYLINDER WITH PISTON	66 to 73 - FLH, FX
	18492-74	REAR CYLINDER WITH PISTON	74 to * - FLH, FX
	18493-66B	REAR CYLINDER WITH PISTON	66 to 73 - FL
	18493-74	REAR CYLINDER WITH PISTON	74 to * - FL
13A	18662-20	NUT, 7/16-20 x 1-2 x 5/8 hex. (6)	66 to * - FL, FLH, FX
19	18750-66A	HEAD, front cylinder	66 to * - FL, FLH, FX
	18752-66A	HEAD, rear cylinder	66 to * - FL, FLH, FX
20	18726-66A	HELI-COIL INSERT, spark plug hole	66 to 74 - FL, FLH, FX
21	18770-66A	GASKET, cylinder head	66 to * - FL, FLH, FX
22	18776-63	GASKET, front cylinder base	66 to * - FL, FLH, FX
	18777-63	GASKET, rear cylinder base	66 to * - FL, FLH, FX
23	18814-48	BOLT, cylinder head (5)	66 to * - FL, FLH, FX
24	18831-30	STUD, cylinder base (4)	66 to * - FL, FLH, FX
25	18832-67	BRACKET, engine mounting	71 & 72 - FX, 67 to * - FL, FLH
	18833-48	BRACKET, engine mounting	66 - FL, FLH
26	18864-48	STUD, cylinder head motor brace	66 to * - FL, FLH, FX
27	18865-52	BOLT, engine bracket (center)	66 to 72 - FL, FLH, FX
	17029-66	SET OF ENGINE GASKETS	66 to * - FL, FLH, FX
	17034-48	GASKET SET, top overhaul	66 to * - FL, FLH, FX
28	17360-66	ROCKER ARM, rear exhaust and front intake	66 to * - FL, FLH, FX
29	17376-66	ROCKER ARM, front exhaust and rear intake	66 to * - FL, FLH, FX
30	17428-67	BUSHING, rocker arm (4)	66 to * - FL, FLH, FX
31	17448-57	SCREW, rocker arm shaft end (2)	66 to Early 71 - FL, FLH, FX
	17448-71	SCREW, rocker arm shaft end (2)	Late 71 to * - FL, FLH, FX
32	17452-66	SPACER, rocker arm (2)	66 to * - FL, FLH, FX
33	17500-66	ROCKER ARM COVER, rear	66 to * - FL, FLH, FX
34	17502-66	ROCKER ARM COVER, front	66 to * - FL, FLH, FX
35	17506-66	STUD, rocker arm cover (ring) (8)	66 to * - FL, FLH, FX
36	17508-66	STUD, rocker arm cover (shank)	66 to * - FL, FLH, FX
37	17540-66	GASKET, rocker arm cover (2)	66 to * - FL, FLH, FX
38	17611-66A	SHAFT, rocker arm (2)	66 to * - FL, FLH, FX
39	17664-66	PUSH ROD ASSEMBLY (2)	66 to * - FL, FLH, FX
40	17620-55	PUSH ROD, unit (2)	66 to * - FL, FLH, FX
41	17636-66	COVER, upper push rod (2)	66 to * - FL, FLH, FX
42	17638-66B	COVER, lower push rod (2)	66 to * - FL, FLH, FX
43	17645-66B	CAP, cover spring (2)	66 to * - FL, FLH, FX
44	17647-50	SPRING, push rod cover (2)	66 to * - FL, FLH, FX
45	17650-66	RETAINER, spring cap (2)	66 to * - FL, FLH, FX
46	17656-66	CORIX WASHER, push rod cover (upper) (4)	66 to * - FL, FLH, FX
47	17656-68	CORIX WASHER, push rod cover (lower) (2)	66 to * - FL, FLH, FX
48	18055-66A	INSERT, exhaust valve seat	66 to * - FL, FLH, FX
49	18056-66A	INSERT, intake valve seat	66 to * - FL, FLH, FX

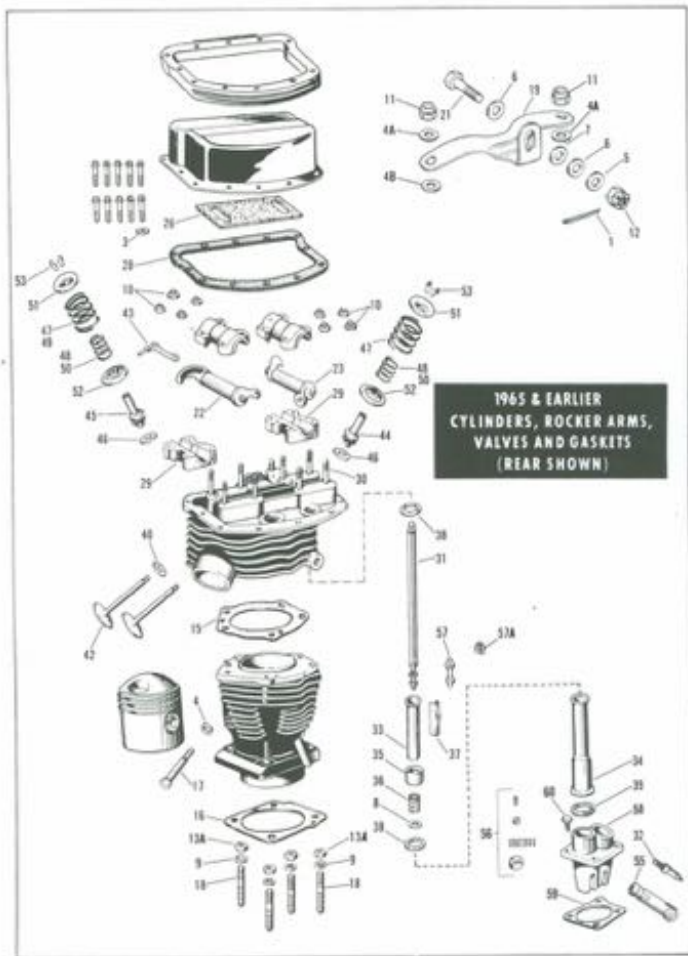
NOTE: Asterisk (*) indicates part is used for latest model year shown in cover.

1966 & LATER - CYLINDERS, ROCKER ARMS, VALVES & GASKETS (CONT'D)

INDEX NO.	PART NO.	NAME	USED ON
	1897-8	INSERT, exhaust valve seat - .002" O.S.	66 50* - FL, FLH, FX
	1898-8	INSERT, intake valve seat - .002" O.S.	66 50* - FL, FLH, FX
10	1894-8	INTAKE VALVE	66 50* - FL, FLH, FX
11	1892-2	EXHAUST VALVE	66 50* - FL, FLH, FX
	1892-8D	EXHAUST VALVE (special - 5/32 O.S.)	66 50* - FL, FLH, FX
12	1893-8	VALVE GUIDE WITH GASKET, intake - int.	66 50* - FL, FLH, FX
	1894-8	VALVE GUIDE WITH GASKET, intake - .001 O.S.	66 50* - FL, FLH, FX
	1895-8	VALVE GUIDE WITH GASKET, intake - .002 O.S.	66 50* - FL, FLH, FX
	1896-8	VALVE GUIDE WITH GASKET, intake - .003 O.S.	66 50* - FL, FLH, FX
	1897-8	VALVE GUIDE WITH GASKET, intake - .004 O.S.	66 50* - FL, FLH, FX
	1898-8	VALVE GUIDE WITH GASKET, intake - .006 O.S.	66 50* - FL, FLH, FX
	1897-8	VALVE GUIDE WITH GASKET, intake - .008 O.S.	66 50* - FL, FLH, FX
13	1898-8A	VALVE GUIDE WITH GASKET, exhaust - int.	66 50* - FL, FLH, FX
	1898-8A	VALVE GUIDE WITH GASKET, exhaust - .001 O.S.	66 50* - FL, FLH, FX
	1898-8A	VALVE GUIDE WITH GASKET, exhaust - .002 O.S.	66 50* - FL, FLH, FX
	1898-8A	VALVE GUIDE WITH GASKET, exhaust - .003 O.S.	66 50* - FL, FLH, FX
	1898-8A	VALVE GUIDE WITH GASKET, exhaust - .004 O.S.	66 50* - FL, FLH, FX
	1898-8A	VALVE GUIDE WITH GASKET, exhaust - .006 O.S.	66 50* - FL, FLH, FX
	1898-8	VALVE GUIDE WITH GASKET, exhaust - .008 O.S.	66 50* - FL, FLH, FX
14	1896-8	GASKET, valve guide (2)	66 50* - FL, FLH, FX
15	1891-12A	VALVE SPRING, intake (2)	66 50* - FLH; 70 50* - FL, FX
16	1892-17A	VALVE SPRING, intake (2)	66 50* - FLH; 70 50* - FL, FX
18	1894-18A	VALVE SPRING, intake (2)	66 50* - FL
19	1892-16	COLLAR, valve spring (intake) (2)	66 50* - FL, FLH, FX
20	1892-18	COLLAR, valve spring, lower (2)	66 50* - FL, FLH, FX
21	1893-16	VALVE KEY (2)	66 50* - FL, FLH, FX
22	1892-28A	TAPPET, with retainer (2)	66 50* - FL, FLH, FX
23	1894-28A	NUT, tappet retainer (2)	66 50* - FL, FLH, FX
24	1896-2	TAPPET ADJUSTING SCREW, with nut (2)	66 50* - FL, FLH, FX
24A	1897-2	NUT, tappet adjusting screw	66 50* - FL, FLH, FX
25	1880-86A	TAPPET GUIDE, front cylinder	66 50* - FL, FLH, FX
	1880-86A	TAPPET GUIDE, rear cylinder	66 50* - FL, FLH, FX
26	1883-86A	GASKET, tappet guide, rear cylinder	66 50* - FL, FLH, FX
	1884-86A	GASKET, tappet guide, front cylinder	66 50* - FL, FLH, FX
27	1840-8	SCREW, tappet guide (4)	66 50* - FL, FLH, FX
28	6273-8	OIL LINE TUBE, top cover cross-over	66 50* - FL, FLH, FX
29	6273-8	OIL LINE TUBE, cross-over to top cover	66 50* - FL, FLH, FX
30	6285-8	OIL LINE FITTING, rocker arm cover (3)	66 50* - FL, FLH, FX
31	6287-8	NUT, oil line (4)	66 50* - FL, FLH, FX
32	6289-8	SLEEVE, oil line (4)	66 50* - FL, FLH, FX
33	8934-8	BRACKET, engine mounting	73 50* - FX

1965 & EARLIER - CYLINDERS, ROCKER ARMS, VALVES & GASKETS

1	51400C	COTTER PIN, 3/32 x 7/8	52 50 85 - FL, FLH
2	6198C	WASHER, No. 10 x 1/8 x 1/16 (see 189.)	54 50 85 - FL, FLH
4	6498W	WASHER, 7/16 x 2/4 x 1/8 (2)	41 50 85 - FL, FLH
4A	6498W	WASHER, 7/16 x 15/16 x 1/8 (rear cylinder only)	46 50 85 - FL, FLH
4B	6198W	WASHER, 7/16 x 1/8 x 1/16 (2)	46 50 85 - FL, FLH
5	6128H	WASHER, 29/64 x 1-1/8 x 3/32	41 50 85 - FL, FLH
6	6128H	WASHER, 29/64 x 1-1/8 x 5/32 (2)	41 50 85 - FL, FLH
7	6198H	WASHER, 29/64 x 1-1/8 x 1/64	41 50 85 - FL, FLH
8	6198C	WASHER, 11/16 x 39/64 x 1/32 (2)	41 50 85 - FL, FLH
9	7018D	LOCKWASHER, 7/16 (4)	41 50 85 - FL, FLH
10	7728C	LOCKNUT, 3/16-28 (8)	46 50 85 - FL, FLH
10A	7824C	LOCKNUT, 7/16-20 (2)	46 50 85 - FL, FLH
12	7879D	CASTLE NUT, 7/16-20	52 50 85 - FL, FLH
13A	1882-2	NUT, 7/16-20 x 1/2 x 5/8 hex. (4)	41 50 85 - FL, FLH
15	1870-8	GASKET, cylinder head	46 50 85 - FL, FLH
16	1876-8	GASKET, front cylinder base	63 50 85 - FL, FLH
	1877-8	GASKET, rear cylinder base	63 50 85 - FL, FLH
17	1824-8	BOLT, cylinder head (3)	46 50 85 - FL, FLH



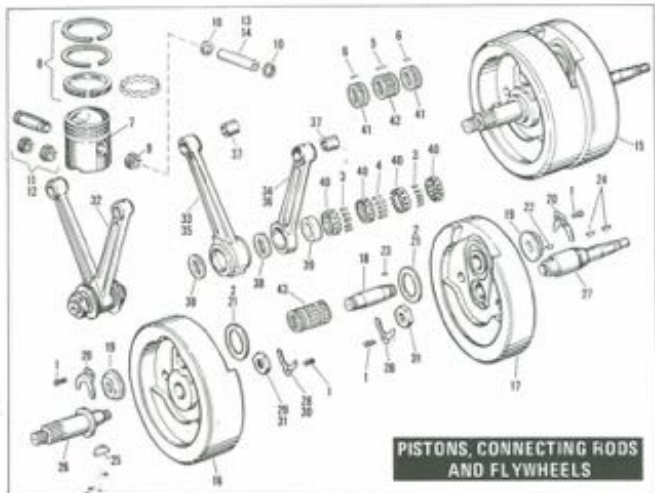
1965 & EARLIER - CYLINDERS, ROCKER ARMS, VALVES & GASKETS (CONT'D)

INDEX	PART NO.	NAME	USED ON
18	16831-30	STUD, cylinder base (8)	41 to 65 - FL, FLH
19	16853-46	BRACKET, engine mounting	48 to 65 - FL, FLH
21	16865-52	BOLT, engine bracket center	52 to 65 - FL, FLH
	17028-58	SET OF MOTOR GASKETS	60 to 65 - FL, FLH
	17034-48	GASKET SET, top-eve/flat	60 to 65 - FL, FLH
22	17369-48	ROCKER ARM, rear exhaust and front intake	48 to 65 - FL, FLH
23	17375-48	ROCKER ARM, front exhaust and rear intake	48 to 65 - FL, FLH
26	17507-48	PAD, rocker arm cover	48 to 65 - FL, FLH
27	17509-54A	REINFORCEMENT, cover (2)	54 to 65 - FL, FLH
28	17541-68B	GASKET, rocker arm cover (2)	48 to 65 - FL, FLH
30	17647-48	STUD, rocker arm bearing (8)	48 to 65 - FL, FLH
31	17926-53B	PUSH ROD ASSEMBLY (2)	53 to 65 - FL, FLH
32	17929-53	PUSH ROD, hydraulic unit (2)	53 to 65 - FL, FLH
33	17950-48B	COVER, upper push rod (2)	48 to 65 - FL, FLH
34	17958-48B	COVER, lower push rod (2)	48 to 65 - FL, FLH
35	17945-30B	CAP, cover spring	41 to 65 - FL, FLH
36	17947-35	SPRING, push rod cover (2)	41 to 65 - FL, FLH
37	17958-48B	RETAINER, spring cap	48 to 65 - FL, FLH
38	17955-36	CORK WASHER, push rod cover (upper) (8)	48 to 65 - FL, FLH
39	17955-45	CORK WASHER, push rod cover (lower) (2)	48 to 65 - FL, FLH
40	18051-43	INSERT, valve seat (2)	48 to 65 - FL, FLH
42	18082-57	EXHAUST VALVE (standard)	Late 58 to 65 - FLH Late 60 to 65 - FL
	18082-60	EXHAUST VALVE (special - 5/32 O.S.)	52 to 65 - FL, FLH
43	18109-49	OILER, front intake valve	49 to 65 - FL, FLH
	18120-49	OILER, rear intake valve	49 to 65 - FL, FLH
44	18163-48	VALVE GUIDE WITH GASKET, intake - 112	48 to 65 - FL, FLH
	18164-48	VALVE GUIDE WITH GASKET, intake - .001 O.S.	48 to 65 - FL, FLH
	18165-48	VALVE GUIDE WITH GASKET, intake - .002 O.S.	48 to 66 - FL, FLH
	18166-48	VALVE GUIDE WITH GASKET, intake - .003 O.S.	48 to 65 - FL, FLH
	18167-48	VALVE GUIDE WITH GASKET, intake - .004 O.S.	48 to 65 - FL, FLH
	18168-48	VALVE GUIDE WITH GASKET, intake - .006 O.S.	48 to 65 - FL, FLH
	18171-48	VALVE GUIDE WITH GASKET, intake - .008 O.S.	48 to 65 - FL, FLH
45	18186-48A	VALVE GUIDE WITH GASKET, exhaust - 112	48 to 65 - FL, FLH
	18189-48A	VALVE GUIDE WITH GASKET, exhaust - .001 O.S.	48 to 65 - FL, FLH
	18190-48A	VALVE GUIDE WITH GASKET, exhaust - .002 O.S.	48 to 65 - FL, FLH
	18191-48A	VALVE GUIDE WITH GASKET, exhaust - .003 O.S.	48 to 65 - FL, FLH
	18192-48A	VALVE GUIDE WITH GASKET, exhaust - .004 O.S.	48 to 65 - FL, FLH
	18193-48A	VALVE GUIDE WITH GASKET, exhaust - .006 O.S.	48 to 65 - FL, FLH
	18194-48	VALVE GUIDE WITH GASKET, exhaust - .008 O.S.	48 to 65 - FL, FLH
46	18196-51	GASKET, valve guide (2)	51 to 65 - FL, FLH
47	18201-57A	VALVE SPRING, outer (2)	58 to 65 - FLH
48	18202-57A	VALVE SPRING, inner (2)	55 to 65 - FLH
49	18204-36A	VALVE SPRING, inner (2)	45 to 65 - FL
51	18221-36	COLLAR, valve spring, upper (2)	43 to 65 - FL, FLH
52	18222-48	COLLAR, valve spring, lower (2)	48 to 65 - FL, FLH
53	18228-36	VALVE KEY (2)	41 to 65 - FL, FLH
55	18522-53A	TAPPET, with collar (2)	53 to 65 - FL, FLH
56	18534-29A	KIT, tappet roller (2)	45 to 65 - FL, FLH
57	18556-57	TAPPET ADJUSTING SCREW, with nut (2)	57 to 65 - FL, FLH
57A	18576-38	NUT, tappet adjusting screw	57 to 65 - FL, FLH
58	18606-53	TAPPET GUIDE, front cylinder	53 to 65 - FL, FLH
	18610-53	TAPPET GUIDE, rear cylinder	53 to 65 - FL, FLH
59	18613-48A	GASKET, tappet guide, rear cylinder	48 to 65 - FL, FLH
	18614-48A	GASKET, tappet guide, front cylinder	48 to 65 - FL, FLH
60	18640-53	SCREW, tappet guide (8)	Late 53 to 65 - FL, FLH

NOTE: Asterisk (*) indicates part is used for latest model year shown on cover.

PISTONS, CONNECTING RODS AND FLYWHEELS

INDEX	PART NO.	NAME	USED ON
1	2060	SCREW, No. 10-24 x 3/8 Phillips pan hd, (10)	40 to * - FL, FLH, FX
2	6506	WASHER, Nylocast - bronze (2)	Late 30 to * - FL, FLH, FX
3	9101A	ROLLER, crank pin - 3/16 x .329 - std. (36)	51 to 72 - FL, FLH, FX
	9102A	ROLLER, crank pin - .0002 O.S. (36)	51 to 72 - FL, FLH, FX
	9103A	ROLLER, crank pin - .0004 O.S. (36)	51 to 72 - FL, FLH, FX
	9104A	ROLLER, crank pin - .0006 O.S. (36)	51 to 72 - FL, FLH, FX
	9105A	ROLLER, crank pin - .0008 O.S. (36)	51 to 72 - FL, FLH, FX
	9106A	ROLLER, crank pin - .0010 O.S. (36)	51 to 72 - FL, FLH, FX
	9108A	ROLLER, crank pin - .0002 U.S. (36)	51 to 72 - FL, FLH, FX
4	9171A	ROLLER, crank pin - 3/16 x .462 - std. (18)	51 to 72 - FL, FLH, FX
	9172A	ROLLER, crank pin - .0002 O.S. (18)	51 to 72 - FL, FLH, FX
	9173A	ROLLER, crank pin - .0004 O.S. (18)	51 to 72 - FL, FLH, FX
	9174A	ROLLER, crank pin - .0006 O.S. (18)	51 to 72 - FL, FLH, FX
	9175A	ROLLER, crank pin - .0008 O.S. (18)	51 to 72 - FL, FLH, FX
	9176A	ROLLER, crank pin - .0010 O.S. (18)	51 to 72 - FL, FLH, FX
	9179A	ROLLER, crank pin - .0002 U.S. (18)	51 to 72 - FL, FLH, FX
5	9180	ROLLER, crank pin - .0002 O.S. (17)	73 to * - FL, FLH, FX
	9181	ROLLER, crank pin - .0004 O.S. (17)	73 to * - FL, FLH, FX
	9182	ROLLER, crank pin - .0006 O.S. (17)	73 to * - FL, FLH, FX
	9183	ROLLER, crank pin - .0008 O.S. (17)	73 to * - FL, FLH, FX
	9184	ROLLER, crank pin - .0010 O.S. (17)	73 to * - FL, FLH, FX
	9185	ROLLER, crank pin - .0002 U.S. (17)	73 to * - FL, FLH, FX
6	9440A	ROLLER, crank pin - .0002 O.S. (34)	73 to * - FL, FLH, FX
	9441A	ROLLER, crank pin - .0004 O.S. (34)	73 to * - FL, FLH, FX
	9442A	ROLLER, crank pin - .0006 O.S. (34)	73 to * - FL, FLH, FX
	9443A	ROLLER, crank pin - .0008 O.S. (34)	73 to * - FL, FLH, FX
	9444A	ROLLER, crank pin - .0010 O.S. (34)	73 to * - FL, FLH, FX
	9450A	ROLLER, crank pin - .0002 U.S. (34)	73 to * - FL, FLH, FX
7	22101-530	PISTON AND RINGS ASSEMBLY - std.	51 to 72 - FL
	22101-74	PISTON AND RINGS ASSEMBLY - std.	74 to * - FL
	22103-530	PISTON AND RINGS ASSEMBLY - .010 O.S.	51 to 72 - FL
	22103-74	PISTON AND RINGS ASSEMBLY - .010 O.S.	74 to * - FL
	22104-530	PISTON AND RINGS ASSEMBLY - .020 O.S.	51 to 72 - FL
	22104-74	PISTON AND RINGS ASSEMBLY - .020 O.S.	74 to * - FL
	22105-530	PISTON AND RINGS ASSEMBLY - .030 O.S.	51 to 72 - FL
	22105-74	PISTON AND RINGS ASSEMBLY - .030 O.S.	74 to * - FL
	22106-530	PISTON AND RINGS ASSEMBLY - .040 O.S.	51 to 72 - FL
	22106-74	PISTON AND RINGS ASSEMBLY - .040 O.S.	74 to * - FL
	22107-530	PISTON AND RINGS ASSEMBLY - .050 O.S.	51 to 72 - FL
	22107-74	PISTON AND RINGS ASSEMBLY - .050 O.S.	74 to * - FL
	22108-530	PISTON AND RINGS ASSEMBLY - .060 O.S.	51 to 72 - FL
	22108-74	PISTON AND RINGS ASSEMBLY - .060 O.S.	74 to * - FL
	22109-530	PISTON AND RINGS ASSEMBLY - .070 O.S.	51 to 72 - FL
	22109-74	PISTON AND RINGS ASSEMBLY - .070 O.S.	74 to * - FL
	22110-530	PISTON AND RINGS ASSEMBLY - .080 O.S.	51 to 72 - FLH, FX
	22110-74	PISTON AND RINGS ASSEMBLY - .080 O.S.	74 to * - FLH, FX
	22111-530	PISTON AND RINGS ASSEMBLY - .090 O.S.	51 to 72 - FLH, FX
	22111-74	PISTON AND RINGS ASSEMBLY - .090 O.S.	74 to * - FLH, FX
	22112-530	PISTON AND RINGS ASSEMBLY - .100 O.S.	51 to 72 - FLH, FX
	22112-74	PISTON AND RINGS ASSEMBLY - .100 O.S.	74 to * - FLH, FX
	22113-530	PISTON AND RINGS ASSEMBLY - .110 O.S.	51 to 72 - FLH, FX
	22113-74	PISTON AND RINGS ASSEMBLY - .110 O.S.	74 to * - FLH, FX
	22114-530	PISTON AND RINGS ASSEMBLY - .120 O.S.	51 to 72 - FLH, FX
	22114-74	PISTON AND RINGS ASSEMBLY - .120 O.S.	74 to * - FLH, FX
	22115-530	PISTON AND RINGS ASSEMBLY - .130 O.S.	51 to 72 - FLH, FX
	22115-74	PISTON AND RINGS ASSEMBLY - .130 O.S.	74 to * - FLH, FX
	22116-530	PISTON AND RINGS ASSEMBLY - .140 O.S.	51 to 72 - FLH, FX
	22116-74	PISTON AND RINGS ASSEMBLY - .140 O.S.	74 to * - FLH, FX
	22117-530	PISTON AND RINGS ASSEMBLY - .150 O.S.	51 to 72 - FLH, FX
	22117-74	PISTON AND RINGS ASSEMBLY - .150 O.S.	74 to * - FLH, FX
	22118-530	PISTON AND RINGS ASSEMBLY - .160 O.S.	51 to 72 - FLH, FX
	22118-74	PISTON AND RINGS ASSEMBLY - .160 O.S.	74 to * - FLH, FX
	22119-530	PISTON AND RINGS ASSEMBLY - .170 O.S.	51 to 72 - FLH, FX
	22119-74	PISTON AND RINGS ASSEMBLY - .170 O.S.	74 to * - FLH, FX
8	22325-55	PISTON RING SET - .010	55 to * - FLH, 65 to * - FL, FX
	22327-55	PISTON RING SET - .020 O.S.	55 to * - FLH, 65 to * - FL, FX
	22328-55	PISTON RING SET - .030 O.S.	55 to * - FLH, 65 to * - FL, FX
	22329-55	PISTON RING SET - .040 O.S.	55 to * - FLH, 65 to * - FL, FX
	22330-55	PISTON RING SET - .050 O.S.	55 to * - FLH, 65 to * - FL, FX
	22331-55	PISTON RING SET - .060 O.S.	55 to * - FLH, 65 to * - FL, FX
	22332-55	PISTON RING SET - .080 O.S.	55 to * - FLH, 65 to * - FL, FX



PISTONS, CONNECTING RODS AND FLYWHEELS (CONT'D)

INDEX NO.	PART NO.	NAME	USED ON
	22333-55	PISTON RING SET - .070 O.S.	55 to * - FL, 65 to * - FL, FX
	22355-53	PISTON RING SET - std.	53 to 64 - FL
	22357-53	PISTON RING SET - .050 O.S.	53 to 64 - FL
	22358-53	PISTON RING SET - .020 O.S.	53 to 64 - FL
	22359-53	PISTON RING SET - .030 O.S.	53 to 64 - FL
	22360-53	PISTON RING SET - .040 O.S.	53 to 64 - FL
	22361-53	PISTON RING SET - .050 O.S.	53 to 64 - FL
	22362-53	PISTON RING SET - .060 O.S.	53 to 64 - FL
	22363-53	PISTON RING SET - .070 O.S.	53 to 64 - FL
9	22581-32	LOCK RING, piston pin (2)	41 to 72 - FL, FLH, FX *
10	22582-32	LOCK RING, piston pin (2)	73 to * - FL, FLH, FX
11	22735-32	PISTON PIN, with lock rings - std.	41 to 72 - FL, FLH, FX
12	22739-32	PISTON PIN, with lock rings - .009 O.S.	41 to 72 - FL, FLH, FX
13	22760-73	PISTON PIN - standard	73 to * - FL, FLH, FX
14	22762-73	PISTON PIN - .004 O.S.	73 to * - FL, FLH, FX
15	23906-45B	SET OF FLYWHEELS AND SHAFTS, with rods	65 to 69 - FL, FLH
	23906-10B	SET OF FLYWHEELS AND SHAFTS, with rods	70 to 72 - FL, FLH, FX
	23906-73	SET OF FLYWHEELS AND SHAFTS, with rods	73 - FL, FLH, FX
	23906-74	SET OF FLYWHEELS AND SHAFTS, with rods	74 to * - FL, FLH, FX
16	23919-45A	FLYWHEEL, left	65 to 69 - FL, FLH
	23919-70A	FLYWHEEL, left	70 & 71 - FL, FLH, FX
	23919-72	FLYWHEEL, left	72 to * - FL, FLH, FX
17	23940-45A	FLYWHEEL, right	41 to * - FL, FLH, FX
18	23961-42	CRANK PIN	41 to * - FL, FLH, FX
19	23966-14A	NUT, crank pin (2)	54 to * - FL, FLH, FX
20	23973-34	LOCKPLATE, crank pin nut	54 to * - FL, FLH, FX
21	23973-41	WASHER, flywheel - steel (2)	41 to Early 70 - FL, FLH

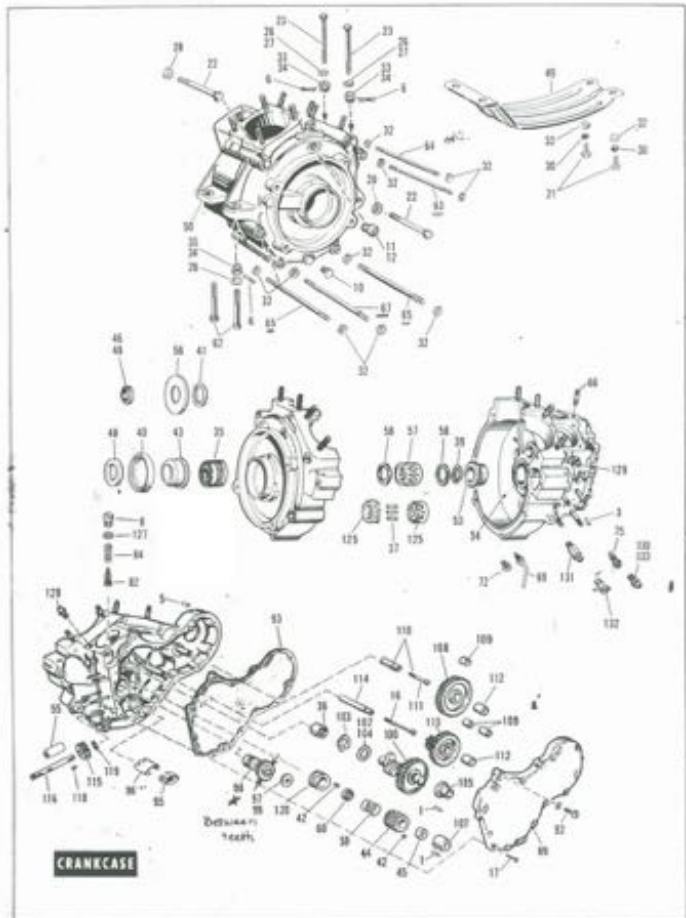
PISTONS, CONNECTING RODS AND FLYWHEELS (CONT'D)

INDEX NO.	PART NO.	NAME	USED ON
22	2385-12	KEY, gear shaft	41 to * - FL, FLH, FX
23	2385-18	KEY, crank pin	41 to * - FL, FLH, FX
24	2385-54	KEY, gear shaft pinion (2)	54 to * - FL, FLH, FX
25	2385-56	KEY, sprocket shaft	56 to * - FL, FLH, FX
26	2401-60	SPROCKET SHAFT	60 to 69 - FL, FLH
	2401-70	SPROCKET SHAFT	70 & 71 - FL, FLH, FX
	2401-72	SPROCKET SHAFT	72 to * - FL, FLH, FX
27	2406-56	GEAR SHAFT	56 to 72 - FL, FLH, FX
	2406-73	GEAR SHAFT	73 to * - FL, FLH, FX
28	2405-36	LOCK PLATE, shaft nut (2) (1 - 1972 & 1976)	41 to * - FL, FLH, FX
29	2407-72	NUT, sprocket shaft	72 to * - FL, FLH, FX
30	2408-71	LOCK PLATE, sprocket shaft nut	72 to * - FL, FLH, FX
31	24025-36	NUT, gear and sprocket shafts (2) (1 - 1972 & later)	41 to * - FL, FLH, FX
32	24081-41A	SET OF CONNECTING RODS WITH BEARINGS AND CRANK PIN	41 to 73 - FL, FLH, FX
	24081-74	SET OF CONNECTING RODS, with bearings and crank pin	74 to * - FL, FLH, FX
33	24290-74	CONNECTING ROD, rear	74 to * - FL, FLH, FX
34	24294-74	CONNECTING ROD, front	74 to * - FL, FLH, FX
35	24298-36	CONNECTING ROD, rear	41 to 73 - FL, FLH, FX
36	24302-36	CONNECTING ROD, front	41 to 73 - FL, FLH, FX
37	24334-36	BUSHING, crank pin (2)	41 to * - FL, FLH, FX
	24335-36	BUSHING, piston pin - .860 O.S. (2)	41 to * - FL, FLH, FX
38	24345-36A	BUSHING, rear connecting rod - lower (2)	41 to * - FL, FLH, FX
	24356-36A	BUSHING, front connecting rod - lower	41 to * - FL, FLH, FX
40	24366-51	RETAINER, crank pin roller (4)	51 to 72 - FL, FLH, FX
41	24366-71	RETAINER, crank pin roller - rear (2)	73 to * - FL, FLH, FX
42	24367-71	RETAINER, crank pin roller - front (2)	73 to * - FL, FLH, FX
43	24395-410	SET OF ROLLERS AND RETAINERS - standard	41 to * - FL, FLH, FX
	24395-410	SET OF ROLLERS AND RETAINERS - .900 O.S.	42 to * - FL, FLH, FX
	24397-410	SET OF ROLLERS AND RETAINERS - .9004 O.S.	41 to * - FL, FLH, FX
	24398-410	SET OF ROLLERS AND RETAINERS - .9006 O.S.	41 to * - FL, FLH, FX
	24399-410	SET OF ROLLERS AND RETAINERS - .9008 O.S.	41 to * - FL, FLH, FX
	24399-410	SET OF ROLLERS AND RETAINERS - .9010 O.S.	41 to * - FL, FLH, FX
	24391-410	SET OF ROLLERS AND RETAINERS - .9022 O.S.	41 to * - FL, FLH, FX

CRANKCASE

1	271	DOWEL PIN, 3/8 x 1/4 (2)	41 to * - FL, FLH, FX
3	348	DOWEL PIN, oil pump mounting (2)	41 to * - FL, FLH, FX
4	358	DOWEL PIN (2)	70 to * - FL, FLH, FX
5	378	DOWEL PIN, gear cover (2)	75 to 69 - FL, FLH
6	534	COTTER PIN, 3/32 x 5/8 (4)	41 to 66 - FL, FLH
7	650	PLUG, crankcase	70 to * - FL, FLH, FX
8	651	PLUG, oil screen	66 to 69 - FL, FLH
9	657	PLUG, oil screen	70 to * - FL, FLH, FX
10	700	DRAIN PLUG	41 to * - FL, FLH, FX
11	704	PLUG, timing hole	41 to * - FL, FLH, FX
12	720	PLUG, timing hole	70 to * - FL, FLH, FX
13	1325	SCREW, 1/4-20 x 1 Positiv Riv, hd. (2)	70 to * - FL, FLH, FX
14	1398	SCREW, 1/4-20 x 1-3/4 Positiv Riv, hd.	70 to * - FL, FLH, FX
15	1393	SCREW, 1/4-20 x 1-1/4 Positiv Riv, hd. (3)	70 to * - FL, FLH, FX
16	1430	SCREW, left hand thread	Late 59 to 69 - FL, FLH
17	2540HM	SCREW, 1/4-24 x 1-1/8 disk, hd. (12)	41 to 69 - FL, FLH
18	2632	SCREW, No. 8-32 x 7/16 Positiv hd. (2)	72 to * - FL, FLH, FX
19	2678	SCREW, No. 9-32 x 7/16 std., hd. (2)	70 to 72 - FL, FLH, FX
21	3974HW	BOLT, 5/16-24 x 1/4 hex, hd. (2)	41 to * - FL, FLH, FX
22	4432W	BOLT, 3/8-16 x 3/4 hex, hd. (2)	41 to * - FL, FLH, FX
23	4435W	BOLT, 3/8-24 x 3/4 hex, hd. (2)	41 to * - FL, FLH, FX
24	6167	WASHER, No. 8 x 3/16 x 3/64 (2)	70 to * - FL, FLH, FX
26	6409HB	WASHER, 3/8 x 11/16 x 7/64 (4)	63 to * - FL, FLH, FX
27	6791	WASHER, 3/8 x 11/16 x 3/16 (2)	41 to 70 - FL, FLH
28	6774	WASHER, 3/8 x 5/8 x 1/16 (2)	Late 74 to * - FL, FLH, FX
30	7941	LOCKWASHER, 1/16	41 to * - FL, FLH, FX

NOTE: Asterisk (*) indicates part is used for latest model year shown on cover.



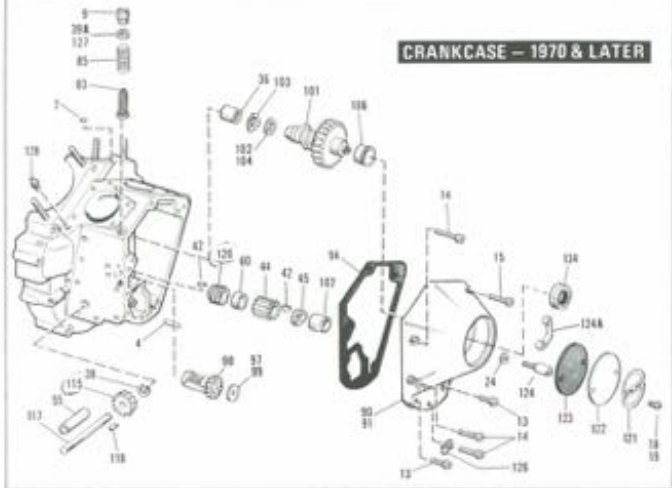
CRANKCASE (CONT'D)

INDEX NO.	PART NO.	NAME	USED ON
32	7753	NUT, 1/16-28 x 1/4 x 1/2 hex. (2)	42 to * - FL, FLH, FX
33	7775	LOCKWASHER, 3/8-24 x 7/16 x 5/16 hex. (4)	62 to * - FL, FLH, FX
34	7809	NUT, 1/8-28 x 15-32 x 9/16 hex. (4)	41 to 46 - FL, FLH
35	9031	SCREWING, left crankcase (Tinker)	69 to * - FL, FLH, FX
	9039	BEARING, left crankcase (Tinker)	59 to 68 - FL, FLH
36	9056	NEEDLE BEARING, crankcase cam gear	58 to * - FL, FLH, FX
37	9220A	ROLLER, right bearing, 1/4 x .440 - .001 (26)	58 to * - FL, FLH, FX
	9221A	ROLLER, right bearing - .0002 O.S. (26)	58 to * - FL, FLH, FX
	9222A	ROLLER, right bearing - .0004 O.S. (26)	58 to * - FL, FLH, FX
	9223A	ROLLER, right bearing - .0006 O.S. (26)	58 to * - FL, FLH, FX
	9224A	ROLLER, right bearing - .0008 O.S. (26)	58 to * - FL, FLH, FX
	9225A	ROLLER, right bearing - .001 O.S. (26)	58 to * - FL, FLH, FX
38	11382	RETAINING RING, oil pump drive shaft	70 to * - FL, FLH, FX
	11387	RETAINING RING, right bearing	58 to * - FL, FLH, FX
39A	11395	O-RING	Like 70 to * - FL, FLH, FX
40	12026	OIL SEAL	70 to * - FL, FLH, FX
41	23745-55	SHIM, sprocket shaft bearing (.005)	55 to * - FL, FLH, FX
42	23885-54	KEY, gear shaft (2)	54 to * - FL, FLH, FX
43	24022-79	SPACER, sprocket shaft	70 to * - FL, FLH, FX
44	24023-54	PIVOT GEAR	54 to * - FL, FLH, FX
45	24023-54	NUT, gear shaft	54 to * - FL, FLH, FX
46	24029-55	SPACER, sprocket shaft - .326 thick	55 to 64 - FL, FLH
48	24032-66	SPACER, sprocket shaft - .514 thick	66 to 69 - FL, FLH
	24032-70	SPACER, sprocket shaft - .660 thick	70 to * - FL, FLH, FX
	24033-60	SPACER, sprocket shaft - .548 thick	65 to 69 - FL, FLH
	24033-70	SPACER, sprocket shaft - .690 thick	70 to * - FL, FLH, FX
	24034-66	SPACER, sprocket shaft - .576 thick	65 to 69 - FL, FLH
	24034-70	SPACER, sprocket shaft - .720 thick	70 to * - FL, FLH, FX
	24035-66	SPACER, sprocket shaft - .606 thick	66 to 69 - FL, FLH
	24035-70	SPACER, sprocket shaft - .750 thick	70 to * - FL, FLH, FX
	24036-66	SPACER, sprocket shaft - .636 thick	66 to 69 - FL, FLH
	24036-70	SPACER, sprocket shaft - .780 thick	70 to * - FL, FLH, FX
	24037-66	SPACER, sprocket shaft - .666 thick	66 to 69 - FL, FLH
	24037-70	SPACER, sprocket shaft - .810 thick	70 to * - FL, FLH, FX
49	24430-36	CRANKCASE GUARD	42 to * - FL, FLH, FX
50	24519-66A	SET OF CRANKCASES	66 to 69 - FL, FLH
	24519-70	SET OF CRANKCASES	70 to 72 - FL, FLH, FX
	24519-73	SET OF CRANKCASES	73 to * - FL, FLH, FX
53	24599-58	BUSHING, right crankcase, standard	58 to * - FL, FLH, FX
	24600-58	BUSHING, right crankcase - .002 O.S.	58 to * - FL, FLH, FX
	24601-58	BUSHING, right crankcase - .005 O.S.	58 to * - FL, FLH, FX
	24602-58	BUSHING, right crankcase - .001 O.S.	58 to * - FL, FLH, FX
54	24608-54	SCREW, crankcase gear side bushing (2)	54 to * - FL, FLH, FX
55	24641-36	BUSHING, oil pump shaft	54 to * - FL, FLH, FX
56	24643-69	SHIELD WASHER, left crankcase bearing	69 - FL, FLH
57	24650-58	RIGHT BEARING - .001	58 to * - FL, FLH, FX
	24651-58	RIGHT BEARING - .0002 O.S.	58 to * - FL, FLH, FX
	24652-58	RIGHT BEARING - .0004 O.S.	58 to * - FL, FLH, FX
	24653-58	RIGHT BEARING - .0006 O.S.	58 to * - FL, FLH, FX
	24654-58	RIGHT BEARING - .0008 O.S.	58 to * - FL, FLH, FX
	24655-58	RIGHT BEARING - .001 O.S.	58 to * - FL, FLH, FX
58	24652-58	WASHER, right bearing (2)	58 to * - FL, FLH, FX
59	24699-37	SPRING, piston shaft	41 to 69 - FL, FLH
60	24703-54	SPACER, gear shaft piston	54 to * - FL, FLH, FX
62	24710-36	BOLT, front engine mounting (2)	42 to 72 - FL, FLH, FX
63	24895-30	CRANKCASE STUD, 5/16-24 x 5	41 to * - FL, FLH, FX
64	24896-36	CRANKCASE STUD, 5/16 x 5-7/16 (2)	41 to * - FL, FLH, FX
65	24899-30	CRANKCASE STUD, 5/16 x 6 (3)	41 to * - FL, FLH, FX
66	24813-63	STUD, circuit breaker mounting clamp	66 to 69 - FL, FLH
67	24815-40	CRANKCASE STUD, 11/32 x 5-37/32 (2)	48 to * - FL, FLH, FX
68	24912-48A	BREATHER PIPE	48 to 57-64 - FL, FLH
69	24912-65	BREATHER PIPE	65 to 66 - FL, FLH
70	24913-62	NUT, breather pipe	65 to 67 - FL, FLH
75	24938-69	ADAPTER PLUG, crankcase breather (gear chain side)	68 & 69 - FL, FLH
82	24980-64	OIL SCREEN, crankcase	66 to 69 - FL, FLH
83	24980-70	OIL SCREEN, crankcase	70 to * - FL, FLH, FX

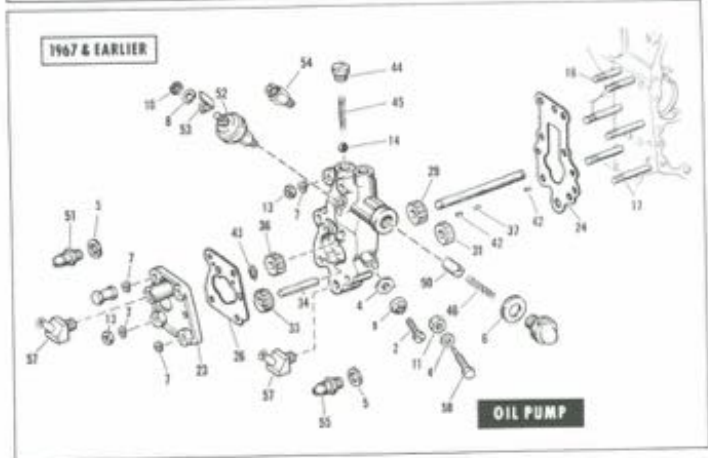
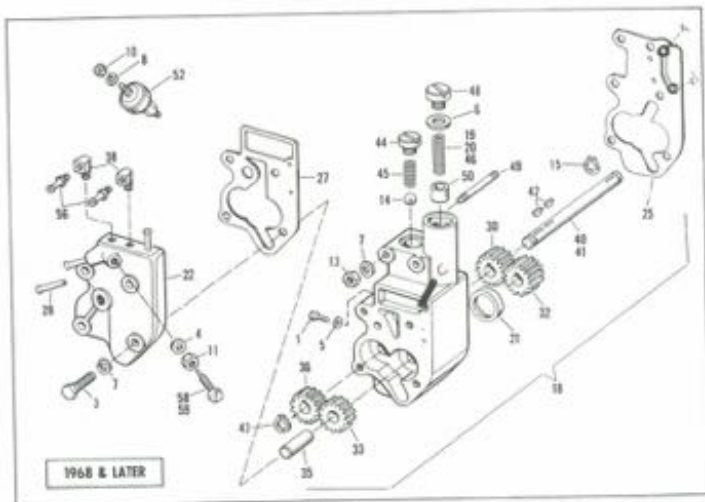
NOTE: Asterisk (*) indicates part is used for latest model year shown in column.

CRANKCASE (CONT'D)

INDEX NO.	PART NO.	NAME	USED ON
84	2490-66	OIL SCREEN SPRING	66 to 69 - FL, FLH
85	2490-70	OIL SCREEN SPRING	70 to * - FL, FLH, FX
89	2524-68	GEAR COVER	58 to 62, 66 to 69 - FL, FLH
90	2524-70	GEAR COVER	70 to 72 - FL, FLH, FX
91	2526-73	GEAR COVER	73 to * - FL, FLH, FX
92	2528-63	BOLT, gear cover oil passage	63 to 69 - FL, FLH
93	2525-36C	GASKET, gear cover	41 to 69 - FL, FLH
94	2525-70A	GASKET, gear cover	70 to * - FL, FLH, FX
95	2525-36	BREATHER SCREEN	41 to 69 - FL, FLH
96	2525-36	SEPARATOR, breather screen	41 to 69 - FL, FLH
97	2533-50	THRUST WASHER - .125 thick	50 to * - FL, FLH, FX
98	2533-73	BREATHER VALVE, with gnr	41 to * - FL, FLH, FX
99	2534-50	THRUST WASHER - .120 thick	50 to * - FL, FLH, FX
	2535-50	THRUST WASHER - .125 thick	50 to * - FL, FLH, FX
	2536-52	THRUST WASHER - .110 thick	52 to * - FL, FLH, FX
100	2525-48	CAM GEAR, standard	48 to 65 - FL, 55 - FLH
	2525-66	CAM GEAR (Victory)	56 to 65 - FLH
102	2525-39	CAM GEAR	70 to * - FLH, FX
102	2525-36	THRUST WASHER, cam gear - .050 thick	41 to * - FL, FLH, FX
103	2525-27	LOCK WASHER, cam gear	58 to * - FL, FLH, FX
104	2525-36	THRUST WASHER, cam gear - .055 thick	41 to * - FL, FLH, FX
	2525-36	THRUST WASHER, cam gear - .060 thick	41 to * - FL, FLH, FX
	2525-36	THRUST WASHER, cam gear - .065 thick	41 to * - FL, FLH, FX
	2525-36	THRUST WASHER, cam gear - .070 thick	41 to * - FL, FLH, FX
	2525-36	THRUST WASHER, cam gear - .075 thick	41 to * - FL, FLH, FX
105	2528-36	BUSHING, gear cover	41 to 69 - FL, FLH
106	2528-10	BUSHING, gear cover	70 to * - FL, FLH, FX
107	2528-54	BUSHING, gear cover pinion shaft	54 to Early 73 - FL, FLH, FX
	2528-73	BUSHING, gear cover pinion shaft	Late 73 to * - FL, FLH, FX
108	2575-36	ISLER GEAR	41 to 65 - FL, FLH
109	2575-36A	BUSHING, idler gear (1)	41 to 65 - FL, FLH
110	2575-36	ISLER GEAR STUD	41 to 65 - FL, FLH
111	2574-36	SCREW, idler gear stud	41 to 65 - FL, FLH
112	2580-36	SPACER, idler and contact breaker gear (1)	41 to 65 - FL, FLH
113	2585-36A	GEAR, contact breaker drive & intermediate	41 to 65 - FL, FLH
114	2585-36	STUD, contact breaker drive gear	41 to 65 - FL, FLH
115	26345-38	DRIVE GEAR, oil pump - 21 T.	41 to 72 - FL, FLH, FX
	26345-73	DRIVE GEAR, oil pump - 24 T.	73 to * - FL, FLH, FX
116	26346-68	DRIVE SHAFT, oil pump	68 & 69 - FL, FLH
117	26346-70	DRIVE SHAFT, oil pump	70 to * - FL, FLH, FX
118	26346-73	KEY, oil pump gear	41 to * - FL, FLH, FX
119	26346-36	RETAINING RING, drive shaft	41 to * - FL, FLH, FX
120	26346-54	DRIVE GEAR, oil pump	54 to 72 - FL, FLH, FX
	26346-73	DRIVE GEAR, oil pump	73 to * - FL, FLH, FX
121	32584-70	LABEL, inner cover	70 to * - FLH
	32584-71	LABEL, inner cover	71 to * - FX
122	32584-70A	COVER, inner assembly	70 to * - FL, FLH, FX
123	32601-70	GASKET, ignition inner cover	70 to * - FL, FLH, FX
124	32601-73	STUD, ignition inner cover (1)	Early 73 - FL, FLH
	32601-70	STUD, ignition inner cover (1)	Late 70 to Early 72 - FL, FLH, FX
	32601-72	STUD, ignition inner cover (2)	Late 72 to * - FL, FLH, FX
124A	32611-70	RETAINER PLATE, inner cover stud	Late 70 to Early 72 - FL, FLH, FX
125	42575-35	RETAINER, right roller bearing (1)	58 to * - FL, FLH, FX
126	56693-62	CLAMP, contact breaker wire	70 to * - FL, FLH, FX
127	67002-62	GASKET, oil screen plug	66 to Early 70 - FL, FLH
128	62526-57	FITTING, rocker arm oil line	66 to * - FL, FLH, FX
129	63533-15	FITTING, vent pipe tubing	41 to 64 - FL, FLH
130	63533-41	FITTING, vent hose	Late 66 to * - FL, FLH, FX
131	63533-45	FITTING, oily return line hose	65 - FL, FLH
132	62641-70	TEE, rear chain roller	70 to * - FL, FLH, FX
133	63576-32	FITTING, vent hose	65 & Early 66 - FL, FLH
134	63562-51	OIL SEAL, bearing	70 to * - FL, FLH, FX

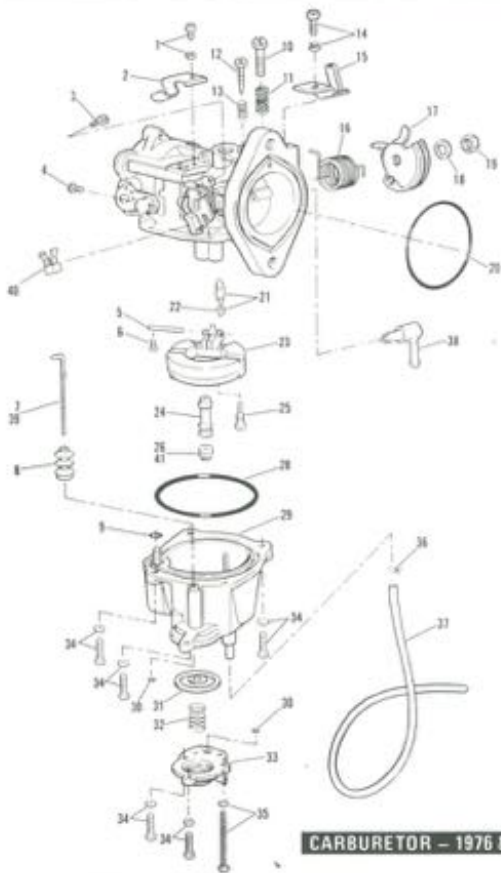
CRANKCASE - 1970 & LATER

15 6/70-72 Please consult your 7121C



OIL PUMP

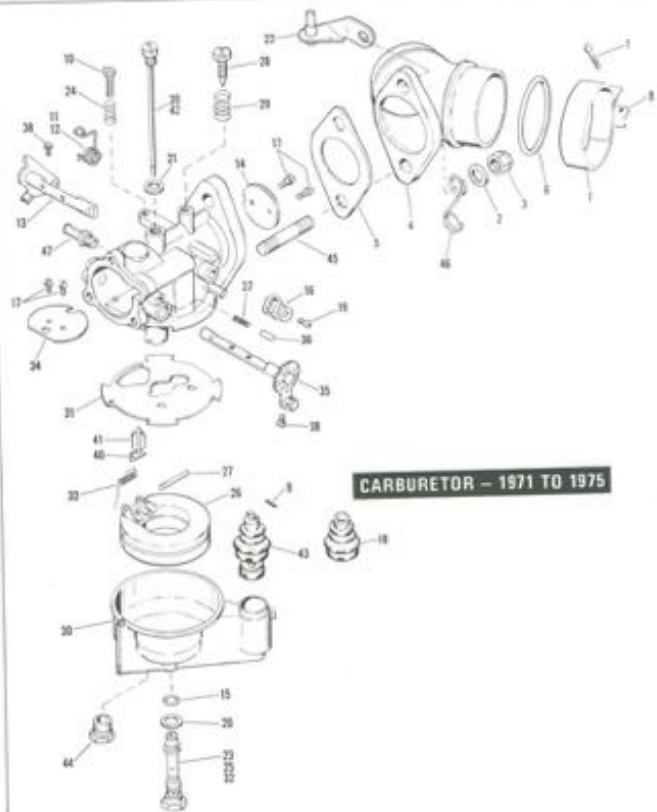
INDEX NO.	PART NO.	NAME	USED ON
1	700	PLUG, oil pump body	68 to * - FL, FLH, FX
2	1143	SCREW, No. 10-32 x 5/16 Phillips hd.	65 to 67 - FL, FLH
3	5430W	BOLT, 1/4-24 x 2-3/4 hex. hd. (S)	68 to * - FL, FLH, FX
4	6156	WASHER, 13/64 x 3/8 x 1/32 (steel)	43 to 69 - FL, FLH
5	6377	WASHER, 3/8 x 5/8 x 1/32 (Z)	Late 50 to * - FL, FLH, FX
6	6561	WASHER, 17/32 x 11/16 x .025 (steel)	58 to * - FL, FLH, FX
7	7036	LOCKWASHER, 1/4 (Z)	50 to * - FL, FLH, FX
8	7065	LOCKWASHER, No. 10	64 to * - FL, FLH, FX
9	7620W	LOCKNUT, No. 10-32	43 to 67 - FL, FLH
10	7634	NUT, No. 10-32 x 3/8 x 5/16 hex. (thread)	64 to * - FL, FLH, FX
11	7638	NUT, No. 10-32 x 1/8 x 3/8 hex. hd.	41 to 64, 68 & 69 - FL, FLH
12	7691W	NUT, 1/4-24 x 5/32 x 7/16 hex. (Z)	50 to 67 - FL, FLH
14	8864	BALL, check valve, 3/8 dia.	41 to * - FL, FLH, FX
15	11002	RETAINING RING, oil pump	70 to * - FL, FLH, FX
16	24825-36	MOUNTING STUD, 1/4 x 3-11/16 (Z)	43 to 67 - FL, FLH
17	24825-36	MOUNTING STUD, 1/4 x 2-1/4 (H)	43 to 67 - FL, FLH
18	26200-688	OIL PUMP ASSEMBLY	68 to 72 - FL, FLH, FX
	26200-734	OIL PUMP ASSEMBLY	70 to * - FL, FLH, FX
	26210-450	OIL PUMP ASSEMBLY	48 to 64 - FL, FLH
	26210-65	OIL PUMP ASSEMBLY	65 to 67 - FL, FLH
19	26206-73	SPRING, relief valve	Early 73 - FL, FLH, FX
20	26207-73	SPRING, relief valve	Late 73 to * - FL, FLH, FX
21	26217-56	OIL SEAL	68 to * - FL, FLH, FX
22	26232-65	COVER, oil pump	68 to 72 - FL, FLH, FX
	26232-73	COVER, oil pump	Early 73 - FL, FLH, FX
23	26237-50A	COVER, oil pump	50 to 64 - FL, FLH
	26237-65	COVER, oil pump	65 to 67 - FL, FLH
24	26240-61	GASKET, oil pump body	43 to 67 - FL, FLH
25	26240-68A	GASKET, oil pump body	68 to * - FL, FLH, FX
26	26257-50A	GASKET, oil pump cover	50 to 67 - FL, FLH
27	26258-68B	GASKET, oil pump cover	68 to * - FL, FLH, FX
28	26263-68A	TUBE, pump & cover (Z)	68 to * - FL, FLH, FX
29	26315-68	DRIVE GEAR	48 to 67 - FL, FLH
30	26315-68A	DRIVE GEAR	68 to * - FL, FLH, FX
31	26317-62	IDLER GEAR	Late 62 to 67 - FL, FLH
32	26317-68A	IDLER GEAR	68 to * - FL, FLH, FX
33	26326-62A	DRIVE IDLER GEAR	Late 62 to * - FL, FLH, FX
34	26327-52	IDLER SHAFT	Late 62 to 67 - FL, FLH
35	26327-68	IDLER SHAFT	68 to * - FL, FLH, FX
36	26328-74	DRIVE GEAR	43 to * - FL, FLH, FX
37	26340-36	KEY, oil pump gear	43 to 67 - FL, FLH
38	26338-68	ELBOW, oil pump (Z)	68 to * - FL, FLH, FX
40	26346-68	DRIVE SHAFT	60 & 69 - FL, FLH
42	26346-70	DRIVE SHAFT	70 to * - FL, FLH, FX
43	26348-15	KEY, drive shaft (Z)	43 to * - FL, FLH, FX
45	26348-36	RETAINING RING, drive shaft	43 to * - FL, FLH, FX
44	26352-36	COVER SCREW, check valve spring	43 to * - FL, FLH, FX
43	26363-16	SPRING, check valve	43 to 55, 66 to * - FL, FLH, FX
42	26363-56	SPRING, check valve	56 to 65 - FL, FLH
46	26371-54	SPRING, relief valve (Z)	Late 54 to 72 - FL, FLH, FX
48	26377-68	PLUG, relief valve	68 to * - FL, FLH, FX
49	26396-68	MOUNTING STUD, oil pump (Z)	68 to * - FL, FLH, FX
50	26409-54	VALVE, oil pump	Late 54 to * - FL, FLH, FX
51	26421-50	FITTING, pump cover	50 to 64 - FL, FLH
52	26501-39C	OIL PRESSURE SWITCH AND FITTINGS	43 to * - FL, FLH, FX
53	26540-63	TERMINAL, oil pressure switch	Late 63 to 67 - FL, FLH
54	26549-58	FITTING, oil pressure switch	58 to 67 - FL, FLH
55	63103-15	FITTING, oil line (H&T)	48 to 66 - FL, FLH*
56	63103-41	FITTING, oil line hose (Z)	68 to * - FL, FLH, FX
57	63140-62	FITTING, oil line hose (Z)	43 to 67 - FL, FLH
58	63630-70	ADJUSTING SCREW, check valve (hex. hd.)	41 to 64, 68 to Early 72 - FL, FLH, FX
59	63631-72	ADJUSTING SCREW, check valve (flat hd.)	Late 72 to * - FL, FLH, FX



CARBURETOR - 1976 & LATER

CARBURETOR - 1976 & LATER

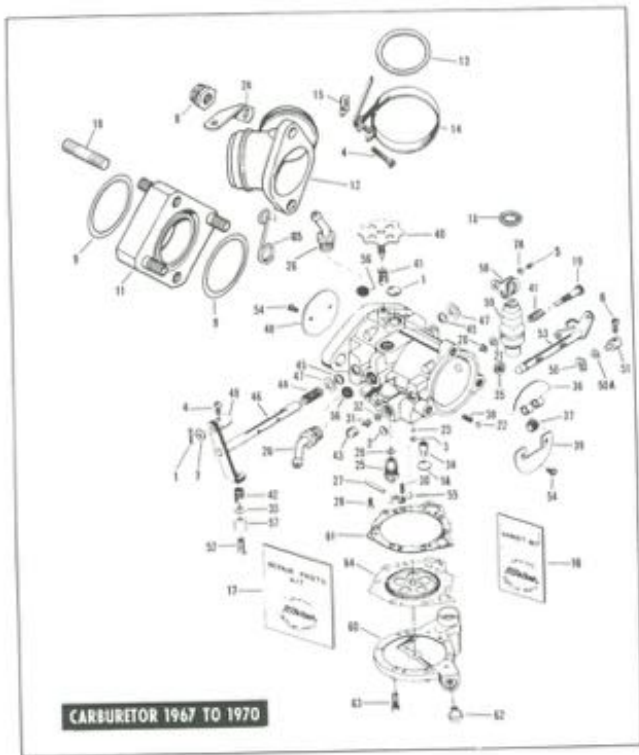
INDEX	PART NO.	NAME	USED ON
	27006-76	CARBURETOR REPAIR KIT	76 to * - FL, FLH, FX
	27115-76	CARBURETOR	76 to * - FL, FLH, FX
1	27304-76	SCREW, choke cable bracket	76 to * - FL, FLH, FX
2	27305-76	BRACKET, choke cable	76 to * - FL, FLH, FX
3	27306-76	ADJUSTING SCREW, pump stroke	76 to * - FL, FLH, FX
4	27307-76	SCREW, wire block	76 to * - FL, FLH, FX
5	27308-76	PIN, float	76 to * - FL, FLH, FX
6	27309-76	SCREW, float pin	76 to * - FL, FLH, FX
7	27310-76	ROD, accelerator pump (80A)	76 to * - FL, FLH, FX
8	27311-76	RUBBER CAP, accelerator pump	76 to * - FL, FLH, FX
9	27312-76	O-RING	76 to * - FL, FLH, FX
10	27313-76	SCREW, throttle stop	76 to * - FL, FLH, FX
11	27314-76	SPRING, throttle stop screw	76 to * - FL, FLH, FX
12	27315-76	ADJUSTING SCREW, low speed mixture	76 to * - FL, FLH, FX
13	27316-76	SPRING, low speed mixture adjusting screw	76 to * - FL, FLH, FX
14	27318-76	SCREW, throttle cable bracket	76 to * - FL, FLH, FX
15	27320-76	BRACKET, throttle cable	76 to * - FL, FLH, FX
16	27321-76	SPRING, throttle lever	76 to * - FL, FLH, FX
17	27328-76	THROTTLE LEVER	76 to * - FL, FLH, FX
18	27323-76	SPRING WASHER, throttle lever	76 to * - FL, FLH, FX
19	27325-76	NUT, throttle lever	76 to * - FL, FLH, FX
20	27326-76	O-RING	76 to * - FL, FLH, FX
21	27337-76	FLOAT VALVE, with clip	76 to * - FL, FLH, FX
22	27338-76	CLIP, float valve	76 to * - FL, FLH, FX
23	27339-76	FLOAT	76 to * - FL, FLH, FX
24	27340-76	MAIN NOZZLE	76 to * - FL, FLH, FX
25	27348-76	LOW SPEED JET	76 to * - FL, FLH, FX
26	27356-76	MAIN JET, 165 mm	76 to * - FL, FLH, FX
28	27358-76	O-RING, bowl	76 to * - FL, FLH, FX
29	27359-76	BOWL	76 to * - FL, FLH, FX
30	27360-76	O-RING (2)	76 to * - FL, FLH, FX
31	27361-76	DIAPHRAGM, accelerator pump	76 to * - FL, FLH, FX
32	27362-76	SPRING, diaphragm	76 to * - FL, FLH, FX
33	27364-76	ACCELERATOR PUMP HOUSING	76 to * - FL, FLH, FX
34	27366-76	SCREW (3)	76 to * - FL, FLH, FX
35	27367-76	SCREW	76 to * - FL, FLH, FX
36	27368-76	CLIP, overflow hose	76 to * - FL, FLH, FX
37	27369-76	NOSE, overflow	76 to * - FL, FLH, FX
38	27371-76	FITTING	76 to * - FL, FLH, FX
39	27373-76	ROD, accelerator pump (80B)	76 to * - FL, FLH, FX
40	27375-76	SPACER (80A)	76 to * - FL, FLH, FX
41	27416-76	MAIN JET, 180 mm	76 to * - FL, FLH, FX
	27417-76	MAIN JET, 175 mm	76 to * - FL, FLH, FX
	27418-76	MAIN JET, 170 mm	76 to * - FL, FLH, FX
	27419-76	MAIN JET, 165 mm	76 to * - FL, FLH, FX
	27420-76	MAIN JET, 160 mm	76 to * - FL, FLH, FX
	45092-66	CABLE GUIDE	76 to * - FL, FLH, FX



CARBURETOR - 1971 TO 1975

CARBURETOR - 1971 TO 1975

INDEX	PART NO.	NAME	USED ON
1	930	SCREW, No. 10-24 x 3/4 (6), Hd. (2)	71 to 75 - FL, FLH, FX
2	6318W	WASHER, 1/16 x 3/8 x 1/16 (2)	71 to 75 - FL, FLH, FX
3	7325	LOCKNUT, 5-16 x 3/8 x 1/16 (2)	71 to 75 - FL, FLH, FX
4	27021-71	INTAKE MANIFOLD	71 to 75 - FL, FLH, FX
5	27023-71	GASKET	71 to 75 - FL, FLH, FX
6	27066-50	O-RING, intake manifold (2)	71 to 75 - FL, FLH, FX
7	27063-57	CLAMP ASSEMBLY (2)	71 to 75 - FL, FLH, FX
8	27065-57	CLAMP BUCKLE (2)	71 to 75 - FL, FLH, FX
	27133-71	REPAIR PARTS AND GASKET KIT	71 to 75 - FL, FLH, FX
	27135-72B	CARBURETOR	71 to 75 - FL, FLH, FX
9	27164-71	ROLL PIN, accelerator pump	71 to 75 - FL, FLH, FX
10	27271-71	SCREW, throttle stop, No. 3-32 slotted hex. Hd.	71 to 75 - FL, FLH, FX
11	27272-71	SPRING, throttle return	71 to 75 - FL, FLH, FX
12	27273-74	SPRING, throttle return	74 & 75 - FL, FLH, FX
13	27281-71A	THROTTLE SHAFT AND LEVER	71 to 75 - FL, FLH, FX
14	27282-71	THROTTLE PLATE	71 to 75 - FL, FLH, FX
15	27308-71	O-RING	71 to 75 - FL, FLH, FX
16	27340-71	LEVER, accelerator pump	71 to 75 - FL, FLH, FX
17	27342-71	SCREW WITH LOCKWASHER, No. 1-9-40 (4)	71 to 75 - FL, FLH, FX
18	27389-71	BOOT, accelerator pump	71 to 75 - FL, FLH, FX
19	27396-71	SCREW WITH LOCKWASHER, No. 4-36	71 to 75 - FL, FLH, FX
20	27403-71	WASHER, main jet (fiber)	71 to 75 - FL, FLH, FX
21	27404-71	WASHER, idle jet (fiber)	71 to 75 - FL, FLH, FX
22	27409-74	BRACKET, throttle cable	74 & 75 - FL, FLH, FX
23	27513-71	MAIN JET, 0.90 mm. (C66-173)	71 to 75 - FL, FLH, FX
24	27513-71	SPRING, throttle stop screw	71 to 75 - FL, FLH, FX
25	27514-71	MAIN JET, 0.95 mm. (C66-174)	71 to 75 - FL, FLH, FX
	27518-71	MAIN JET, 1.00 (C66-155)	71 to 75 - FL, FLH, FX
	27519-71	MAIN JET, 1.05 (C66-156)	71 to 75 - FL, FLH, FX
	27520-71	MAIN JET, 1.10 (C66-157)	71 to 75 - FL, FLH, FX
	27521-71	MAIN JET, 1.15 (C66-143)	71 to 75 - FL, FLH, FX
	27522-71	MAIN JET, 1.20 (C66-158)	71 to 75 - FL, FLH, FX
	27523-71	MAIN JET, 1.25 (C66-159)	71 to 75 - FL, FLH, FX
26	27530-71	FLGAT	71 to 75 - FL, FLH, FX
27	27531-71	PIN, float	71 to 75 - FL, FLH, FX
28	27541-71	IDLE ADJUSTING SCREW	71 to 75 - FL, FLH, FX
29	27542-71	SPRING, idle adjusting screw	71 to 75 - FL, FLH, FX
30	27545-71	BOWL	71 to 75 - FL, FLH, FX
31	27546-71	GASKET, bowl	71 to 75 - FL, FLH, FX
32	27551-75	MAIN JET, 0.90 mm. (C66-181-20)	Later 75 - FL, FLH, FX
	27552-75	MAIN JET, 1.00 mm. (C66-181-20)	Later 75 - FL, FLH, FX
	27553-75	MAIN JET, 1.05 mm. (C66-181-21)	Later 75 - FL, FLH, FX
	27554-75	MAIN JET, 1.10 mm. (C66-181-22)	Later 75 - FL, FLH, FX
	27555-75	MAIN JET, 1.15 mm. (C66-181-23)	Later 75 - FL, FLH, FX
	27556-75	MAIN JET, 1.20 mm. (C66-181-24)	Later 75 - FL, FLH, FX
33	27559-71	SPRING, float	71 to 75 - FL, FLH, FX
34	27563-71	CHOKE PLATE	71 to 75 - FL, FLH, FX
35	27564-71	CHOKE SHAFT AND LEVER	71 to 75 - FL, FLH, FX
36	27565-71	PIN, choke friction spring	71 to 75 - FL, FLH, FX
37	27566-71	FRICTION SPRING, choke	71 to 75 - FL, FLH, FX
38	27586-71	SCREW, wire block, No. 9-36 (2)	71 to 75 - FL, FLH, FX
39	27725-71	IDLE JET, .60 mm.	71 to 75 - FL, FLH, FX
40	27731-71	CLIP, fuel valve	71 to 75 - FL, FLH, FX
41	27748-71	FUEL VALVE, with clip	71 to 75 - FL, FLH, FX
42	27750-71	IDLE JET, .65 mm.	74 & 75 - FL, FLH, FX
43	27762-71A	ACCELERATOR PUMP	71 to 75 - FL, FLH, FX
44	27763-71	BOWL DRAIN PLUG	71 to 75 - FL, FLH, FX
45	33298-65	STUD, 1/16-24 x 1-1/2 (2)	71 to 75 - FL, FLH, FX
46	45060-66	CABLE GUIDE	71 to * - FL, FLH, FX
47	63179-52	W/LET FITTING	71 to 75 - FL, FLH, FX



CARBURETOR 1967 TO 1970

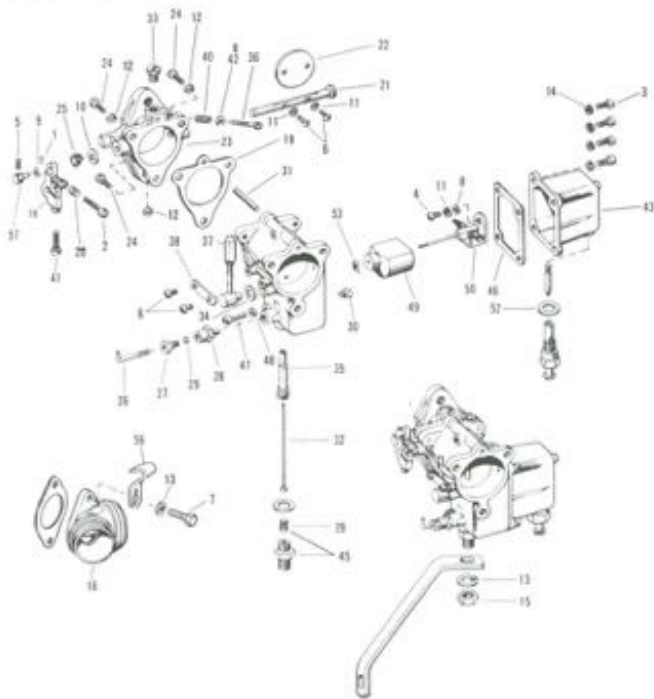
CARBURETOR - 1967 TO 1970

INDEX NO.	PART NO.	NAME	USED ON
1	515	COTTER PIN, 3/16 x 3/4	67 to 70 - FL, FLR
1A	711	WELCH PLUG, body (2)	67 to 70 - FL, FLR
2	712	WELCH PLUG, choke level	67 to 70 - FL, FLR
3	713	WELCH PLUG, check ball	67 to 70 - FL, FLR
4	935	SCREW, No. 10-24 x 3/4 Posidriv FL, NL	67 to 70 - FL, FLR
5	2540	SCREW, No. 4-36 x 1/4 FL, NL	67 to 70 - FL, FLR
6	2589	SCREW, No. 6-32 x 1/8 Posidriv pan Ht. (2)	67 to 70 - FL, FLR
7	6289W	WASHER, No. 6 x 3/8 x 1/32	67 to 70 - FL, FLR
7A	6969	LOCKWASHER, No. 4	67 to 70 - FL, FLR
8	7776W	LOCKNUT, 3/8-24 (3)	67 to 70 - FL, FLR

CARBURETOR - 1967 TO 1970 (CONT'D)

INDEX	PART NO.	NAME	USED ON
9	3137	O-RING, carburetor adapter (2)	67 to 70 - FL, FLH
33	24824-67	STUD, carburetor adapter - 2 in.	67 to 70 - FL, FLH
	24825-66	STUD, carburetor adapter - 1-5/8 in. (3)	67 to 70 - FL, FLH
31	2702-67	Mounting Adapter, carburetor	67 to 70 - FL, FLH
32	27021-57	INLET MANIFOLD	67 to 70 - FL, FLH
33	27060-55	O-RING, manifold (2)	67 to 70 - FL, FLH
34	27063-57	CLAMP ASSEMBLY (2)	67 to 70 - FL, FLH
35	27060-57	CLAMP BUCKLE	67 to 70 - FL, FLH
36	27138-66	GASKET SET	67 to 70 - FL, FLH
37	27147-66	REPAIR PARTS KIT	67 to 70 - FL, FLH
	27160-66B	CARBURETOR	67 to 70 - FL, FLH
18	27247-69	SPRING, accelerator pump plunger	67 to 70 - FL, FLH
19	27252-66	SCREW, intermediate speed mixture adj.	67 to 70 - FL, FLH
20	27253-66	PACKING RING, intermediate speed adj. screw	67 to 70 - FL, FLH
21	27254-66	WASHER, intermediate speed adj. screw	67 to 70 - FL, FLH
22	27426-26	BALL, choke shaft friction spring	67 to 70 - FL, FLH
23	27427-66	CHECK BALL	67 to 70 - FL, FLH
24	27429-66	BRACKET, throttle cable	Late 67 to 70 - FL, FLH
25	27588-66	INLET NEEDLE, seat and gasket - with lever	67 to 70 - FL, FLH
26	27594-66	HOSE FITTING (2)	67 to 70 - FL, FLH
27	27595-66	Pin, inlet valve lever	67 to 70 - FL, FLH
28	27596-66	RETAINING SCREW, inlet valve lever pin	67 to 70 - FL, FLH
29	27598-66	GASKET, inlet shaft	67 to 70 - FL, FLH
30	27599-66	SPRING, inlet valve lever	67 to 70 - FL, FLH
31	27610-66	MAIN JET - .357 in.	67 to 70 - FL, FLH
	27616-66	MAIN JET - .361 in.	67 to 70 - FL, FLH
	27617-66	MAIN JET - .353 in.	67 to 70 - FL, FLH
	27618-66	MAIN JET - .355 in.	67 to 70 - FL, FLH
	27619-66	MAIN JET - .359 in.	67 to 70 - FL, FLH
	27620-66	MAIN JET - .363 in.	67 to 70 - FL, FLH
	27622-66	MAIN JET - .351 in.	67 to 70 - FL, FLH
	27624-66	MAIN JET - .349 in.	67 to 70 - FL, FLH
32	27640-66	GASKET, main jet	67 to 70 - FL, FLH
33	27644-66	WASHER, idle speed screw	67 to 70 - FL, FLH
34	27658-66	CHECK VALVE ASSEMBLY	67 to 70 - FL, FLH
35	27663-66	SEAL, choke shaft	67 to 70 - FL, FLH
36	27688-66	CHOKE DISC RELIEF VALVE	67 to 70 - FL, FLH
37	27689-66	SPRING, choke relief valve	67 to 70 - FL, FLH
38	27671-55	FRICTION SPRING, choke shaft	67 to 70 - FL, FLH
39	27675-66	CHOKE DISC	67 to 70 - FL, FLH
40	27686-66	SCREW, idle mixture adjusting	67 to 70 - FL, FLH
41	27689-61	SPRING, idle and intermediate adj. screws (2)	67 to 70 - FL, FLH
42	27690-59	SPRING, throttle lever stop screw	67 to 70 - FL, FLH
43	27734-61	PLUG SCREW, main jet	67 to 70 - FL, FLH
44	27736-66	SPRING, throttle shaft	67 to 70 - FL, FLH
45	27757-66	SEAL, throttle shaft	67 to 70 - FL, FLH
46	27758-61	THROTTLE SHAF AND LEVER	67 to 70 - FL, FLH
47	27712-66	SEAL WASHER, throttle shaft	67 to 70 - FL, FLH
48	27714-66	THROTTLE DISC	67 to 70 - FL, FLH
49	27715-61	WIRE BLOCK, throttle lever	67 to 70 - FL, FLH
50	27716-55	RETAINING CLIP, choke lever wire block	67 to 70 - FL, FLH
50A	27716-61	SPRING WASHER	67 to 70 - FL, FLH
51	27716-67	WIRE BLOCK, choke lever	67 to 70 - FL, FLH
52	27717-66	SCREW, throttle lever stop	67 to 70 - FL, FLH
53	27718-67	CHOKE SHAFT AND LEVER	67 to 70 - FL, FLH
54	27759-61	SCREW, with lockwasher - choke & throttle discs (4)	67 to 70 - FL, FLH
55	27190-66	LEVER, inlet valve	67 to 70 - FL, FLH
56	27196-66	INLET SCREEN (2)	67 to 70 - FL, FLH
57	27267-66	CUP, idle adj. screw	67 to 70 - FL, FLH
58	27759-66	LEVER, accelerating pump	67 to 70 - FL, FLH
59	27760-66	ACCELERATING PUMP	67 to 70 - FL, FLH
60	27604-66A	DIAPHRAGM COVER	67 to 70 - FL, FLH
61	27606-66	GASKET, diaphragm cover	67 to 70 - FL, FLH
62	27612-66	PLUG SCREW, diaphragm cover	67 to 70 - FL, FLH
63	27614-66	RETAINING SCREW, diaphragm cover (6)	67 to 70 - FL, FLH
64	27616-66	DIAPHRAGM	67 to 70 - FL, FLH
65	45302-66	HOSE GUIDE (on manifold shaft)	67 to 70 - FL, FLH

NOTE: Asterisk (*) indicates part is used for latest model year shown on cover.



CARBURETOR-1966

CARBURETOR - 1966

INDEX NO.	PART NO.	NAME	USED ON
1	515	COTTER PIN, throttle wire shaft	66 - FL, FLH
2	1060B	SCREW, No. 8-32 x 1/4 (1), NS	66 - FL, FLH
3	1302	SCREW, No. 10-24 x 5/8 Popover flt. NS, (R)	66 - FL, FLH
4	21740	SCREW, No. 8-32 x 5/16-16, NS	66 - FL, FLH
5	2585	SCREW, No. 8-32 x 5/16 flt. NS	66 - FL, FLH
6	2586	SCREW, throttle disc & throttle vent clamp (R)	66 - FL, FLH
7	4713W	BOLT, 3/8-16 x 1/4 hex. NS, (2)	66 - FL, FLH
8	6075W	WASHER, No. 6 x 5/16 x 1/32 (2)	66 - FL, FLH
9	6182W	WASHER, No. 10 x 7/16 x 1/32	66 - FL, FLH
10	6228W	WASHER, 1/8 x 1/2 x 1/16	66 - FL, FLH
11	7010	LOCKWASHER, No. 6	66 - FL, FLH
12	7030W	LOCKWASHER, No. 12 (2)	66 - FL, FLH
13	7031	LOCKWASHER, 3/8 (3)	66 - FL, FLH
14	7069	LOCKWASHER, No. 10 (4)	66 - FL, FLH
15	7651W	NUT, 3/8-24 x 1/4 x 9/16 hex.	66 - FL, FLH
16	21221-57	INTAKE MANIFOLD	66 - FL, FLH
18	21205-57	BODY GASKET	66 - FL, FLH
19	21260-57	THROTTLE LEVER	66 - FL, FLH
20	21270-49B	SPRING, throttle lever screw	66 - FL, FLH
21	21216-57	THROTTLE SHAFT	66 - FL, FLH
23	21285-57	THROTTLE BODY	66 - FL, FLH
24	21286-57	BODY SCREW (2)	66 - FL, FLH
25	21291-32	SPRING, throttle shaft	66 - FL, FLH
26	21297-57	HIGH SPEED NEEDLE VALVE	66 - FL, FLH
27	21305-57	PACKING NUT	66 - FL, FLH
28	21302-57	HOUSING, high speed needle valve	66 - FL, FLH
29	21303-57	PACKING, needle valve housing	66 - FL, FLH
30	21317-66	MAIN JET	66 - FL, FLH
31	21323-57	TUBE, air passage	66 - FL, FLH
32	21324-57	IDLE TUBE	66 - FL, FLH
33	21325-33	PLUG, air hole	66 - FL, FLH
34	21325-57	GASKET, nozzle vent	66 - FL, FLH
35	21332-57	MAIN NOZZLE	66 - FL, FLH
37	21343-17A	VENT HOUSING ASSEMBLY	66 - FL, FLH
38	21344-57	CLAMP, nozzle vent	66 - FL, FLH
39	21345-31	SPRING, bowl nut	66 - FL, FLH
40	21349-57A	SPRING, low speed needle valve	66 - FL, FLH
41	21353-57	SCREW, throttle lever	66 - FL, FLH
42	21355-66	GASKET, low speed needle valve	66 - FL, FLH
43	21375-57	BOWL	66 - FL, FLH
45	21375-57	NUT, carburetor bowl - with spring	66 - FL, FLH
46	21375-57	BOWL GASKET	66 - FL, FLH
47	21377-57	DRAIN PLUG	66 - FL, FLH
48	21378-57	GASKET, drain plug	66 - FL, FLH
49	21380-57	FLOAT	66 - FL, FLH
50	21381-57	FLOAT LEVER AND BRACKET	66 - FL, FLH
52	21386-57	GASKET, float valve seat	66 - FL, FLH
53	21387-57	SPEED NUT, float valve	66 - FL, FLH
56	21448-57	BRACKET, throttle cable	66 - FL, FLH
57	21452-36	WIRE BLOCK, throttle lever	66 - FL, FLH

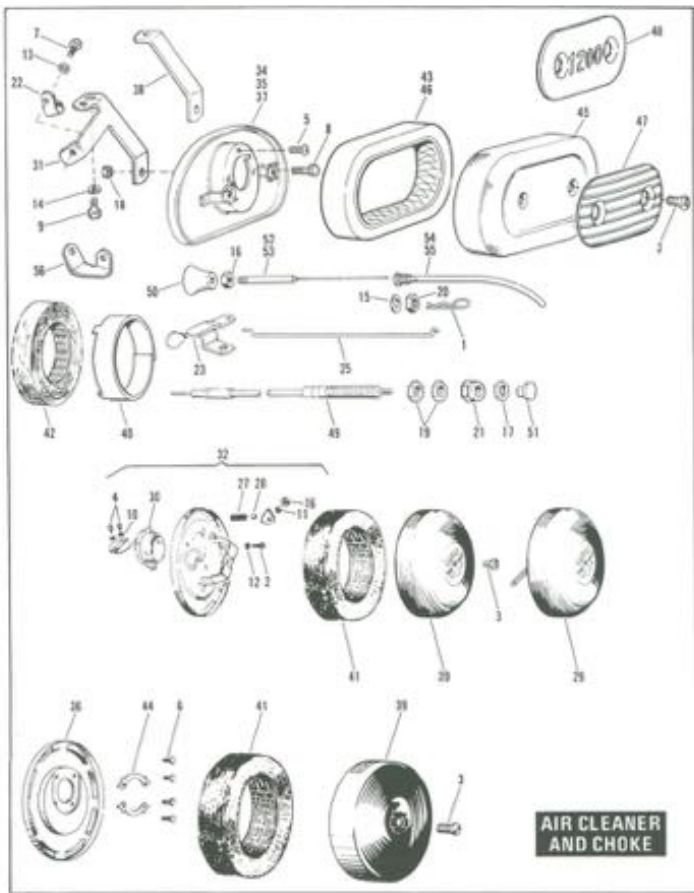
**CARBURETOR
1965 & EARLIER**



ITEMS IN ILLUSTRATION
WITHOUT INDEX NUMBERS
ARE NO LONGER AVAILABLE

CARBURETOR - 1965 AND EARLIER

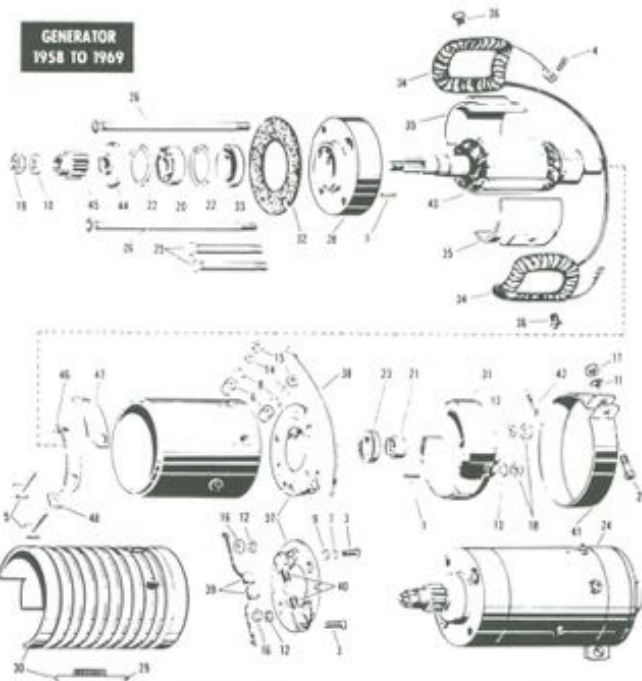
INDEX NO.	PART NO.	NAME	USED ON
1	535	COTTER PIN, 1/16 x 3/2	41 to 65 - FL, FLH
2	930	SCREW, No. 10-24 x 1-1/16 H, M.	55 to 65 - FL, FLH
3	957W	SCREW, No. 6-32 x 3/8 H, M.	41 to 65 - FL, FLH
4	1383	SCREW, No. 10-32 x 5/16 H, M.	50 to 65 - FL, FLH
5	2545	SCREW, No. 6-32 x 5/16 H, M.	41 to 65 - FL, FLH
6	2585	SCREW, No. 6-32 x 7/8 H, M, H8.	41 to 65 - FL, FLH
8	2627	SCREW, No. 6-32 x 7/16 H, M. (2)	49 to 65 - FL, FLH
9	6716	WASHER, 13/16 x 5/16 x 1/16	48 to 65 - FL, FLH
10	7013	LOCKWASHER, No. 8 (3)	41 to 65 - FL, FLH
11	7038	LOCKWASHER, 3-8	41 to 65 - FL, FLH
12	7040	LOCKWASHER, 5/16 (4)	48 to 65 - FL, FLH
13	7608	NUT, No. 6-32 x 1-8 x 5/16 hex.	41 to 65 - FL, FLH
14	7753	NUT, 5-16-24 x 17/32 x 1/2 hex.	41 to 65 - FL, FLH
15	7809W	NUT, 3-8-24 x 21/64 x 3/16 hex.	41 to 65 - FL, FLH
16	27027-55A	INTAKE MANIFOLD	55 to 65 - FL, FLH
17	27960-55	O-RING, intake manifold	55 to 65 - FL, FLH
18	27963-57	CLAMP, intake manifold	55 to 65 - FL, FLH
19	27965-57	BUCKLE, clamp	55 to 65 - FL, FLH
20	27080-52	THROTTLE DISC (1-1/2 in. carburetors)	41 to 65 - FL, FLH
32	27291-32	SPRING, throttle shaft	41 to 65 - FL, FLH
34	27317-50	FIXED JET, No. 17 (M45A & 78 carburetors)	50 to 65 - FL, FLH
	27328-51	FIXED JET, No. 19 (M45L, T4 & 74B carburetors)	51 to 65 - FL, FLH
35	27325-33	PLUG, idle passage	41 to 65 - FL, FLH
36	27327-24	SCREW, idle passage plug (3)	41 to 65 - FL, FLH
37	27330-33	RETAINING SPRING, main nozzle	41 to 65 - FL, FLH
42	27343-11	LOCK SPRING, low speed needle valve	41 to 65 - FL, FLH
43	27343-27	SPRING, low speed valve lever	41 to 65 - FL, FLH
45	27363-41	VENTURI, 1-5/16 (for 1-1/2 carburetors)	41 to 65 - FL, FLH
48	27375-29	LOCK NUT, bowl	41 to 65 - FL, FLH
49	27376-28	GASKET, bowl locked	41 to 65 - FL, FLH
54	27383-11	PIN, float level	41 to 65 - FL, FLH
55	27391-36	GASKET, bowl cover	41 to 65 - FL, FLH
58	27405-26	FRICTION SPRING	41 to 65 - FL, FLH
59	27406-26	FRICTION BALL	41 to 65 - FL, FLH
60	27411-40	INSULATING GASKET (2)	41 to 65 - FL, FLH
61	27412-48	INSULATING BLOCK	48 to 65 - FL, FLH
62	27424-48	BOLT, carburetor mounting (4)	48 to 65 - FL, FLH
64	27455-36	WIRE BLOCK, choke	41 to 65 - FL, FLH



AIR CLEANER AND CHOKE

INDEX	PART NO.	NAME	USED ON
1	575	HAIRPIN CLIP, choke cable tube	67 to 70 - FL, FLH
2	1300B	SCREW, No. 12-24 x 1.2 Bl. Hd. (3)	66 - FL, FLH
3	2422N	SCREW, 5/16-24 x 11/16 Phillips Hd.	36 to * - FL, FLH, FX
4	2585	SCREW, No. 6-32 x 1/4 Posidriv pan Hd. (2)	66 - FL, FLH
5	2758	SCREW, 1/4-20 x 1/2 Phil. Hd. (3)	67 to * - FL, FLH, FX
6	3625	SCREW, No. 12-24 x 3/8 Hex. Hd. (4)	36 to 65 - FL, FLH
7	3738	BOLT, 1/4-28 x 5/8 Hex. Hd.	71 & 72 - FX; 71 to * - FL, FLH
8	3745	BOLT, 1/4-28 x 5/8 Hex. Hd.	67 to * - FL, FLH, FX
9	3959	BOLT, 5/16-18 x 9/16 Hex. Hd.	67 to * - FL, FLH, FX
10	7010	LOCKWASHER, No. 6 (7)	66 - FL, FLH
11	7015	LOCKWASHER, No. 8	66 - FL, FLH
12	7030N	LOCKWASHER, No. 12 (3)	66 - FL, FLH
13	7036	LOCKWASHER, 1/4	71 & 72 - FX; 71 to * - FL, FLH
14	7041	LOCKWASHER, 5/16	67 to * - FL, FLH, FX
15	7038	LOCKWASHER, 3/8	67 to 70 - FL, FLH; 73 to * - FX
16	7658	NUT, No. 8-32 x 1/8 x 5/16 Hex.	66 to * - FL, FLH; 73 to * - FX
17	7636	NUT, No. 10-32 x 1/8 x 3/8 Hex.	71 to * - FL, FLH, FX
18	7683	LOCKNUT, 1/4-28 x 5/16 x 7/16 Hex.	67 to * - FL, FLH, FX
19	7744	NUT, 5/16-24 (2)	71 to * - FL, FLH, FX
20	7851W	JAMNUT, 3/8-24 x 7/32 x 9/16 Hex. Hd.	67 to 70 - FL, FLH; 73 to * - FX
21	7858	NUT, 5/16-24	71 to * - FL, FLH
22	9957	CLIP, choke wire	71 & 72 - FX; 71 to * - FL, FLH
23	27221-66	CHOKE LEVER	66 - FL, FLH
25	27246-66	ROD, choke lever	66 - FL, FLH
27	27349-11	SPRING, choke stop	66 - FL, FLH
28	27406-26	BALL, choke stop	66 - FL, FLH
29	29021-58	AIR CLEANER ASSEMBLY	66 - FL, FLH
30	29016-58	CHOKE FLANGE, sock plate	66 - FL, FLH
31	29019-71A	SUPPORT BRACKET	71 to * - FL, FLH, FX
32	29019-58	BACK PLATE ASSEMBLY, air cleaner	66 - FL, FLH
34	29020-66	BACK PLATE, air cleaner	67 to 70 - FL, FLH
35	29020-71	BACK PLATE, air cleaner	71 to Early 73 - FL, FLH; 71 to * - FX
36	29023-56	BACK PLATE, air cleaner	36 to 65 - FL, FLH
37	29024-73	BACK PLATE, air cleaner	Late 75 to * - FL, FLH
38	29027-66	BRACKET, air cleaner mounting	67 to 70 - FL, FLH
39	29030-56	COVER, air cleaner	36 to 66 - FL, FLH
40	29033-68	INNER SHIELD	68 to 70 - FL, FLH
41	29036-61A	MESH, air cleaner	41 to 66 - FL, FLH
42	29036-66	FILTER ELEMENT, wire mesh type	67 to 71 - FL, FLH, FX
43	29036-72	FILTER ELEMENT, foam type - with screen (2-1/2")	67 to Early 73 - FL, FLH, FX
44	29060-56	LOCKPLATE, air cleaner (2)	36 to 65 - FL, FLH
45	29084-73	COVER, air cleaner	67 to * - FL, FLH, FX
46	29086-73	FILTER ELEMENT, foam type - with screen (2-7/8")	Late 75 to * - FL, FLH, FX
47	29205-69	TRIM, air cleaner	67 to 70 - FL, FLH, FX
48	29205-76	TRIM, air cleaner (C80)	76 to * - FL, FLH, FX
49	29211-71	WIRE, choke control	71 & 72 - FX; 71 to * - FL, FLH
50	29214-67A	KNOB, choke wire	67 to 70 - FL, FLH; 73 to * - FX
51	29214-71	KNOB, choke wire	71 & 72 - FX; 71 to * - FL, FLH
52	29215-67	WIRE, choke control	67 to 70 - FL, FLH
53	29216-73	WIRE, choke control	73 to * - FX
54	29220-67	TUBE, choke wire	67 to 70 - FL, FLH
55	29221-73	TUBE, choke wire	73 to * - FX
56	29225-67	MOUNTING BRACKET, choke control	67 to 70 - FL, FLH

GENERATOR
1958 TO 1969

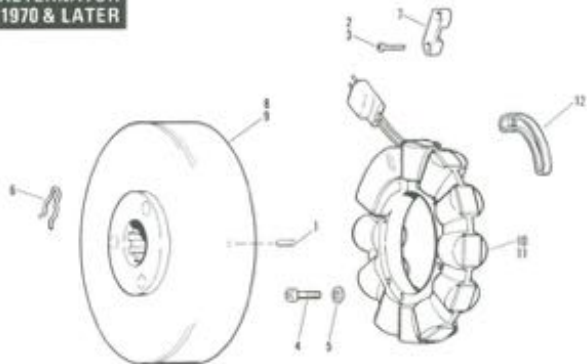


GENERATOR - 1958 TO 1969

INDEX NO.	PART NO.	NAME	USED ON
1	602	ROLL PIN (2)	58 to 69 - FL, FLH
2	1374	SCREW, 1/4-20 x 1.4 Positive gas hd.	66 to 69 - FL, FLH
3	2567	SCREW, No. 10-32 x 5/8 Positive gas hd. (2)	58 to 69 - FL, FLH
4	2589	SCREW, No. 6-32 x 1.4 Positive gas hd. (4)	58 to 69 - FL, FLH
5	2690W	SCREW, No. 10-32 x 7/8 sq. hd. (2)	58 to 69 - FL, FLH
6	5911	INSULATING BUSHING (2)	58 to 69 - FL, FLH
7	6160W	WASHER, No. 10 x 3/8 x 1/32 (2)	58 to 69 - FL, FLH
8	6386	WASHER, No. 10 x 1/2 x 1/8 (Flare) (2)	58 to 69 - FL, FLH
9	6393	WASHER, No. 10 x 15/32 x 1/32	58 to 69 - FL, FLH
10	6329W	WASHER, 5/16 x 11/16 x 3/32	58 to 69 - FL, FLH
11	7036	LOCKWASHER, 1/4	66 to 69 - FL, FLH
12	7969	LOCKWASHER, No. 10 (2)	58 to 69 - FL, FLH
13	7124	LOCKWASHER, 1.4 int. tooth (2)	58 to 69 - FL, FLH
14	7220	LOCKWASHER, No. 10 ext. tooth (2)	58 to 69 - FL, FLH
15	7634	NUT, No. 10-32 x 1/8 x 5/16 hex. (brass) (2)	58 to 69 - FL, FLH
16	7638	NUT, No. 10-32 x 1/8 x 3/8 hex. (4)	58 to 69 - FL, FLH
17	7676	NUT, 1.4-28 x 3/16 x 7/16 hex.	66 to 69 - FL, FLH
18	7683	NUT, 1.4-28 Flonut	58 to 69 - FL, FLH
19	7725	NUT, 5/16-24 x 21/64 x 1/2 hex.	58 to 69 - FL, FLH
20	9007	ARMATURE BEARING, gear end	58 to 69 - FL, FLH
21	9044	NEEDLE BEARING, commutator end	61 to 69 - FL, FLH
22	11004	RETAINING RING (2)	58 to 69 - FL, FLH
23	12602	OIL SEAL	61 to 69 - FL, FLH
24	25975-58A	GENERATOR, 1440 drive gear - 6 V.	58 to 69 - FL, FLH
	25975-65A	GENERATOR, less drive gear - 12 V.	65 to 69 - FL, FLH
25	30011-58	SCREW, end cover (2)	58 to 69 - FL, FLH
26	30012-58	SCREW, frame (2)	58 to 69 - FL, FLH
28	30095-61	END PLATE, generator frame	58 to 69 - FL, FLH
29	30118-65	SPRING, generator cover	65 to 69 - FL, FLH
30	30118-69	GENERATOR COVER KIT	65 to 69 - FL, FLH
31	30132-63A	END COVER	61 to 69 - FL, FLH
32	30043-58	GASKET, generator housing	58 to 69 - FL, FLH
33	30143-66A	OIL SEAL, armature	58 to 69 - FL, FLH
34	30091-58A	FIELD COIL (2)	58 to 69 - FL, FLH
	30091-65	FIELD COIL - 12 V. (2)	65 to 69 - FL, FLH
35	30076-58	POLE PIECE (2)	58 to 69 - FL, FLH
36	30080-58	SCREW, pole piece (2)	58 to 69 - FL, FLH
37	30050-58	MOUNTING PLATE, brush holder	58 to 69 - FL, FLH
	30050-66	BRUSH HOLDER PLATE ASSEMBLY	66 to 69 - FL, FLH
38	30421-58A	CABLE, positive brush	66 to 69 - FL, FLH
39	30426-58	PAIR OF GENERATOR BRUSHES	58 to 69 - FL, FLH
40	30453-58	BRUSH SPRING (2)	58 to 69 - FL, FLH
41	30475-66	BRUSH COVER	66 to 69 - FL, FLH
	30476-58	STRAP, brush cover	58 to 69 - FL, FLH
42	30477-58	SPRING, brush cover strap	58 to 69 - FL, FLH
43	30603-61	ARMATURE - 6 V.	61 to 64 - FL, FLH
	30603-65A	ARMATURE - 12 V.	65 to 69 - FL, FLH
44	31030-58	OIL DEFLECTOR, gear end	58 to 69 - FL, FLH
45	31070-58	DRIVE GEAR	58 to 69 - FL, FLH
46	31096-58	CLIP, terminal belt	58 to 69 - FL, FLH
47	31097-58	INSULATOR, terminal	58 to 69 - FL, FLH
48	31098-58	INSULATOR, terminal bracket	58 to 69 - FL, FLH

NOTE: Asterisk (*) indicates part is used for latest model year shown in cover.

**ALTERNATOR
1970 & LATER**



ALTERNATOR - 1970 & LATER

INDEX PART		NAME	USE ON
NO.	NO.		
1	603	ROLL PIN, rotor	76 to * - FL, FLH, FX
2	948	SCREW, No. 4-40 x 1/8"	70 - FL, FLH
3	2218W	SCREW, No. 4-24 x 1/2 Phillips Hd. (2)	71 to * - FL, FLH, FX
4	2652	SCREW, No. 30-24 x 7/8 Fl. Hd. (4)	70 to * - FL, FLH, FX
5	7118	LOCKWASHER, No. 30 internal thread (4)	Early 70 - FL, FLH
6	11284	RETAINING SPRING, rotor magnet ring	76 to * - FL, FLH, FX
7	29054-73	RETAINER, alternator plug	71 to * - FL, FLH, FX
8	29057-70	ROTOR ASSEMBLY	70 to 75 - FL, FLH, FX
9	29057-75	ROTOR ASSEMBLY	76 to * - FL, FLH, FX
10	29965-70	STATOR	70 to 75 - FL, FLH, FX
11	29965-75	STATOR	76 to * - FL, FLH, FX
12	29088-73	LOCKING PLATE, stator (2)	70 to * - FL, FLH, FX

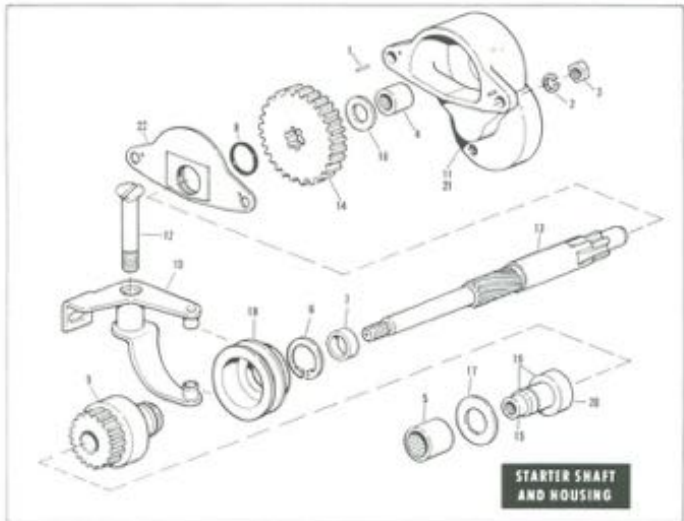
IGNITION CIRCUIT BREAKER

INDEX	PART NO.	NAME	USED ON
1	255	PIN, breaker gear	41 to 65 - FL, FLH
	256	PIN, breaker gear	66 to 69 - FL, FLH
2	611	ROLL PIN, breaker plate	70 to * - FL, FLH, FX
3	620	ROLL PIN, breaker weight (2)	70 to * - FL, FLH, FX
4	621	ROLL PIN, breaker plate	70 to * - FL, FLH, FX
5	1047	SCREW, No. 8-32 x 1/4 fl., hd. (2 used - late 72 and later)	61 to * - FL, FLH, FX
6	1063W	SCREW, No. 8-32 x 3/8 rd. hd.	41 to 64 - FL, FLH
7	2585	SCREW, No. 8-32 x 5/16 Pozidriv pan hd. (3)	47 to 60 - FL, FLH
8	2594	SCREW, No. 8-32 x 1/4 Pozidriv pan hd.	65 to 69 - FL, FLH
9	3570	SCREW, liner	70 to * - FL, FLH, FX
11	3779	BOLT, 1/4-24 x 3/4 hex. hd. (2)	41 to 65 - FL, FLH
13	6136	FIBRE WASHER, No. 8 x 1/2 x 3/16 (2)	41 to 69 - FL, FLH
14	6156	WASHER, 13/64 x 3/8 x 1/32	49 to 60 - FL, FLH
15	6165W	WASHER, 3/16 x 3/8 x 1/32 (2)	65 to 69 - FL, FLH
16	6182W	WASHER, No. 10 x 3/16 x 1/32 (2)	65 to 69 - FL, FLH
17	6189W	WASHER, 11/64 x 13/32 x 1/32 (2)	65 to Early 70 - FL, FLH; Late 72 to * - FL, FLH, FX
17B	6235	WASHER, 7/64 x 3/8 x 1/32 (2)	65 to 69 - FL, FLH
18	7025	LOCKWASHER, No. 8 (2 used - Late 72 and later)	46 to 69 - FL, FLH
19	7036	LOCKWASHER, 1/4 (2)	41 to 65 - FL, FLH
20	7111	LOCKWASHER, No. 8 (2 used - Late 72 and later)	61 to * - FL, FLH, FX
21	7608	NUT, No. 8-32 x 1/8 x 5/16 hex.	46 to 69 - FL, FLH
22	7629W	LOCKNUT, No. 10-32 (2)	65 to 69 - FL, FLH
23	7683	LOCKNUT, 1/4-20	66 to 69 - FL, FLH
24	7744	NUT, 5/16-24 x 3/16 x 1/2 hex.	47 to 64 - FL, FLH
25	11301	O-RING, circuit breaker housing	66 to 69 - FL, FLH
26	39023-48	OIL SEAL, breaker stem	65 - FL, FLH
27	39205-47	PIN, circuit breaker wire	47 to 69 - FL, FLH
28	39207-47A	ECCENTRIC SCREW, breaker points	47 to Early 63; 65 to 69 - FL, FLH
	39207-63	ECCENTRIC SCREW, breaker points (socket hd.)	63 to 64 - FL, FLH (Above Engine No. 63 FLH = 1485)
29	30605-48A	BREAKER POINT SET	46 to 69 - FL, FLH
	32502-66A	CIRCUIT BREAKER ASSEMBLY, less cover	67 to 69 - FL, FLH
30	32511-66	HOUSING, breaker shell	66 to 69 - FL, FLH
34	32516-66	CLAMP, circuit breaker	66 to 69 - FL, FLH
35	32521-36	GASKET, breaker base	41 to 64 - FL, FLH
36	32521-64	WEIGHT, breaker assembly (2)	65 to 66 - FL, FLH
	32522-67	WEIGHT, breaker assembly (2)	67 to 69 - FL, FLH
37	32523-70	WEIGHT, breaker assembly (2)	70 to * - FL, FLH, FX
38	32525-36A	BUSHING, breaker housing (2)	41 to 69 - FL, FLH
40	32531-36	GEAR, shaft	41 to 63 - FL, FLH
41	32535-48	WASHER, shaft - .062 thick	Late 65 to 69 - FL, FLH
	32536-48	WASHER, shaft - .065 thick	49 to 69 - FL, FLH
	32537-48	WASHER, shaft - .072 thick	46 to 65 - FL, FLH
	32538-48	WASHER, breaker shaft - .076 thick	Late 65 to 69 - FL, FLH
42	32542-64A	CAM	65 to 69 - FL, FLH
43	32543-70A	CAM, circuit breaker	70 to * - FL, FLH, FX
47	32577-70	CIRCUIT BREAKER BASE ASSEMBLY	70 to * - FL, FLH, FX
	32573-70	CIRCUIT BREAKER BASE ASSEMBLY	66 to 69 - FL, FLH
50	32580-66	BASE, circuit breaker	66 to 69 - FL, FLH
51	32585-36	RETAINER, breaker base	41 to 64 - FL, FLH
55	32586-64A	COVER (cadmium plated)	65 to 69 - FL, FLH
56	32585-65	COVER (chrome plated)	65 to 69 - FL, FLH
56	32590-36	RETAINER, breaker cover	41 to 64 - FL, FLH
58	32594-47	PLATE, adjusting screw	47 to 64 - FL, FLH
66	32604-64	SPRING, breaker weights (2)	65 to 66 - FL, FLH
	32605-67	SPRING, breaker weight (2)	67 to Early 69 - FL, FLH
	32605-69	SPRING, breaker weight (2)	Late 69 - FL, FLH
	32605-70	SPRING, breaker weight (2)	70 to * - FL, FLH, FX
61	32607-70	STUD, ignition breaker plate (2)	Early 70 - FL, FLH
	32608-70	STUD, ignition breaker plate (2)	Late 70 to Late 72 - FL, FLH, FX
	32608-72	STUD, ignition breaker plate (2)	Late 72 to * - FL, FLH, FX
62	32618-70A	BASE, circuit breaker	70 to * - FL, FLH, FX
63	32629-67	SHAFT AND PLATE	67 to 69 - FL, FLH
64	32629-70	SHAFT AND PLATE	70 to * - FL, FLH, FX
64A	32631-70	RETAINER PLATE, breaker stud	Late 70 to Late 72 - FL, FLH, FX

NOTE: Asterisk (*) indicates part is used for latest model year shown on cover.

IGNITION CIRCUIT BREAKER (CONT'D)

INDEX NO.	PART NO.	NAME	USED ON
65	32661-70	BREAKER POINT SET	70 to * - FL, FLH, FX
66	32669-67	LOCK SCREW, breaker points	49 to Early 52
			65 to Late 72 - FL, FLH, FX
67	32670-70	ADAPTER, terminal - circuit breaker	70 to * - FL, FLH, FX
68	32676-69	STUD, circuit breaker wire	49 to 64 - FL, FLH
69	32678-64	PIN, circuit breaker wire	65 to 69 - FL, FLH
70	32679-69	INSULATOR, wire stud	49 to 69 - FL, FLH
71	32690-61	WIRE, circuit breaker to coil	61 to 64 - FL, FLH
	32690-65	WIRE, circuit breaker to coil	65 to 69 - FL, FLH
72	32726-30A	CONDENSER AND BRACKET	41 to * - FL, FLH, FX
73	62150-50	RETAINING RING, breaker plate (2)	65 & 66 - FL, FLH
74	70456-73	WIRE, circuit breaker to coil	70 to * - FL, FLH, FX

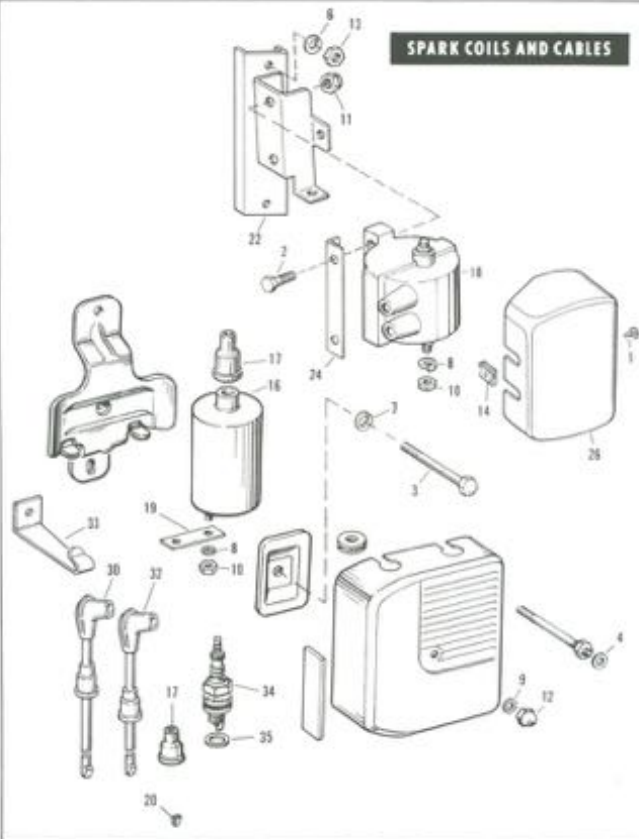


STARTER SHAFT AND HOUSING

INDEX NO.	PART NO.	NAME	USED ON
	314	ROLL PIN, starter shaft housing (2)	65 to * - FL, FLH, FX
2	7036	LOCKWASHER, 1/4 (2)	65 to * - FL, FLH, FX
3	7676	NUT, 1/8-28 x 3/16 x 7/16 hex. (2)	65 to * - FL, FLH, FX
4	9042	NEEDLE BEARING, starter shaft housing	65 to * - FL, FLH, FX
5	9063	NEEDLE BEARING, chain housing cover	65 to * - FL, FLH, FX
6	11039	RETAINING RING, shift collar	65 to * - FL, FLH, FX
7	11042	SPACER, starter shaft	65 to * - FL, FLH, FX
8	11101	O-RING, deflector plate	Later 65 to * - FL, FLH, FX
9	31443-65A	STARTER DRIVE GEAR UNIT	65 to * - FL, FLH, FX
10	31445-65	SHIFT LEVER, starter gear	65 to * - FL, FLH, FX
11	31465-65	STARTER SHAFT HOUSING, with bearing (Prestolite)	65 to * - FL, FLH, FX
12	31478-65	PIVOT BOLT, shift lever	65 to * - FL, FLH, FX
13	31482-65	STARTER SHAFT	65 to 69 - FL, FLH
	31482-70	STARTER SHAFT	70 to * - FL, FLH, FX
14	31485-65	GEAR, starter shaft	65 to * - FL, FLH, FX
15	31493-67	NUT, starter shaft	65 to * - FL, FLH, FX
16	31501-65	THRUST WASHER, starter shaft housing	65 to 71 - FL, FLH
17	31502-65	THRUST WASHER, chain cover	65 to * - FL, FLH, FX
18	31503-65	SHIFTER COLLAR	65 to 69 - FL, FLH
	31503-70	SHIFTER COLLAR	70 to * - FL, FLH, FX
19	31535-65A	NUT AND SPACER, starter shaft (L.H. thread)	65 to * - FL, FLH, FX
20	31535-69	SPACER	65 to * - FL, FLH, FX
21	31572-73	STARTER SHAFT HOUSING, with bearing (Mitsubishi)	73 to * - FX
22	60116-65A	PLATE, oil deflector	65 to * - FL, FLH, FX

NOTE: Asterisk (*) indicates part is used for latest model year shown on cover.

SPARK COILS AND CABLES

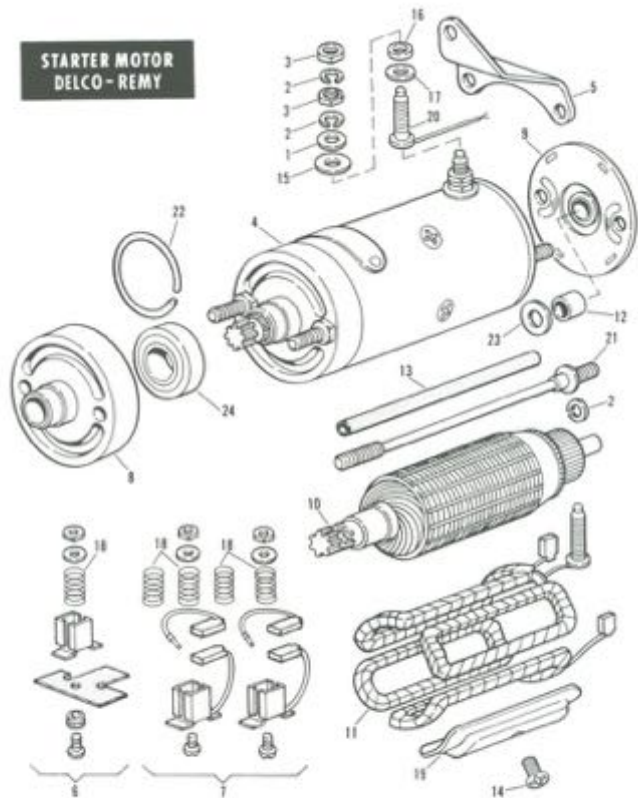


SPARK COILS AND CABLES

INDEX NO.	PART NO.	NAME	USED ON
1	3560W	SCREW, No. 10 x 1/2 self-tapping hex. hd. (2)	65 to * - FL, FLH, FX
2	3638	BOLT, 1/4-28 x 1-5/16 hex. hd. (2)	65 to * - FL, FLH, FX
3	4725	BOLT, 5/16-24 x 2-3/4 hex. hd.	61 to * - FL, FLH, FX
4	6242W	WASHER, 1/4 x 9/16 x 1/32	61 to 64 - FL, FLH
6	7036	LOCKWASHER, 1/8 (2)	65 to * - FL, FLH, FX
7	7041	LOCKWASHER, 5/16	61 to 64 - FL, FLH
8	7069	LOCKWASHER, No. 30	61 to 64 - FL, FLH
9	7220	LOCKWASHER, 1/8 ext. tooth	61 to 64 - FL, FLH
10	7638	NUT, No. 35-32 x 1/8 x 3/8 hex.	61 to * - FL, FLH, FX
11	7683	LOCKNUT, 1/4-28 (2)	65 to * - FL, FLH, FX
12	7684	ACORN NUT, 1/4-28	61 to 64 - FL, FLH
13	7688	NUT, 1/4-20 x 1/4 x 1/2 hex. (2)	65 to * - FL, FLH, FX
14	8115B	SPEED NUT, coil cover (2)	65 to * - FL, FLH, FX
15	11604-41	SPARK COIL - 6 V. (2)	61 to 64 - FL, FLH
17	11601-44	RUBBER CAP, spark plug cables (2)	65 to * - FL, FLH, FX
18	11609-45A	SPARK COIL - 12 V.	65 to * - FL, FLH, FX
19	11813-41	CONNECTOR, spark coil	61 to 64 - FL, FLH
20	11820-47	TERMINAL, spark plug cable	61 to * - FL, FLH, FX
22	11726-45	BRACKET, spark coil	65 to * - FL, FLH, FX
24	11727-45	PLATE, spark coil	65 to * - FL, FLH, FX
26	11800-45	SPARK COIL COVER, with fittings	65 to * - FL, FLH, FX
30	11970-52	SPARK PLUG CABLE, 20-1/2 in.	41 to * - FL, FLH, FX
32	11991-74A	SPARK PLUG CABLE, 9-1/2 in.	65 to * - FL, FLH, FX
35	12000-37	BRACKET, spark plug cable	66 to * - FL, FLH, 71 & 72 - FX
36	12301-47A	SPARK PLUG, No. 4 (Standard)	48 to 74 - FL, FLH, FX
	12301-45	SPARK PLUG, No. 3-4 (Standard)	48 to 74 - FL, FLH, FX
	12301-47A	SPARK PLUG, No. 3	48 to 74 - FL, FLH, FX
	12305-48A	SPARK PLUG, No. 2	48 to 74 - FL, FLH, FX
	12307-56	SPARK PLUG, No. 5	58 to 74 - FL, FLH, FX
	12309-49	SPARK PLUG, No. 5-6	75 to * - FL, FLH, FX
38	12342-58	GASKET, spark plug	Law 58 to * - FL, FLH, FX

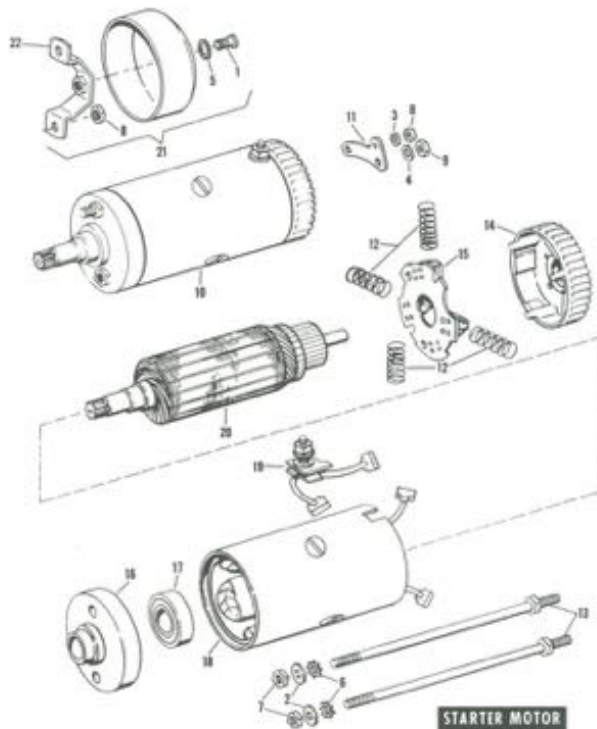
NOTE: Asterisk (*) indicates part is used for latest model year shown on cover.

**STARTER MOTOR
DELCO-REMY**



STARTER MOTOR - DELCO-REMY

INDEX PART		NAME	USED ON
NO.	NO.		
1	6242W	WASHER, 1/4 x 9/16 x 1/32	65 & Early 66 - FL, FLH
2	7036	LOCKWASHER, 1/4 (4)	65 & Early 66 - FL, FLH
3	7686	NUT, 1/4-20 x 7/32 x 7/64 hex.	65 & Early 66 - FL, FLH
4	31455-64A	STARTER MOTOR, with bracket (Prestolite) (Replaces Delco-Remy) ..	65 & Early 66 - FL, FLH
5	31476-65	SUPPORT BRACKET	65 & Early 66 - FL, FLH
6	31506-65	KIT, INSULATED BRUSH HOLDER, less brush	65 & Early 66 - FL, FLH
7	31509-65	SET OF FOUR BRUSHES, with two holders	65 & Early 66 - FL, FLH
8	31510-65	END PLATE, drive end - less bearing	65 & Early 66 - FL, FLH
9	31511-65	END PLATE, brush end - with bushing	65 & Early 66 - FL, FLH
10	31513-65	ARMATURE	65 & Early 66 - FL, FLH
11	31514-65	SET OF FIELD COILS, with insulated brushes	65 & Early 66 - FL, FLH
12	31516-64	ARMATURE BUSHING, brush end	65 & Early 66 - FL, FLH
13	31517-64	SLEEVE, 3/8x-bolt	65 & Early 66 - FL, FLH
14	31518-64	SCREW, pole shoe (4)	65 & Early 66 - FL, FLH
15	31519-64	INSULATING WASHER, terminal screw (w/ter)	65 & Early 66 - FL, FLH
16	31520-64	INSULATING BUSHING, terminal screw	65 & Early 66 - FL, FLH
17	31521-64	INSULATING WASHER, terminal screw (inter)	65 & Early 66 - FL, FLH
18	31522-64	BRUSH SPRING (4)	65 & Early 66 - FL, FLH
19	31524-65	POLE SHOE (4)	65 & Early 66 - FL, FLH
20	31526-65	TERMINAL SCREW, with wire	65 & Early 66 - FL, FLH
21	31528-65	THRU BOLT (2)	65 & Early 66 - FL, FLH
22	31532-65	RUBBER CLAMP RING, ball bearing	65 & Early 66 - FL, FLH
23	31535-65	INSULATING WASHER, brush end plate	65 & Early 66 - FL, FLH
24	31539-66	BALL BEARING, drive end	65 & Early 66 - FL, FLH

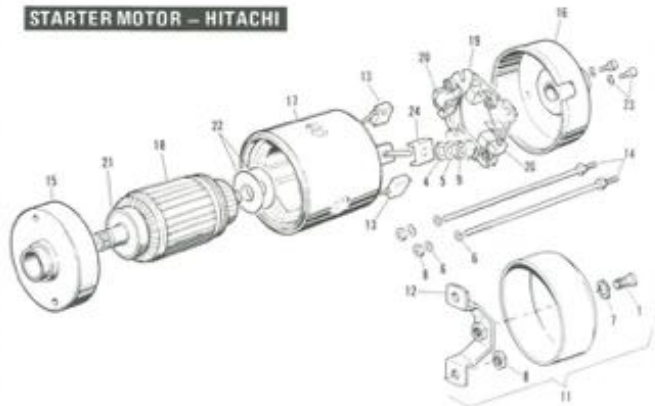


**STARTER MOTOR
PRESTOLITE**

STARTER MOTOR - PRESTOLITE

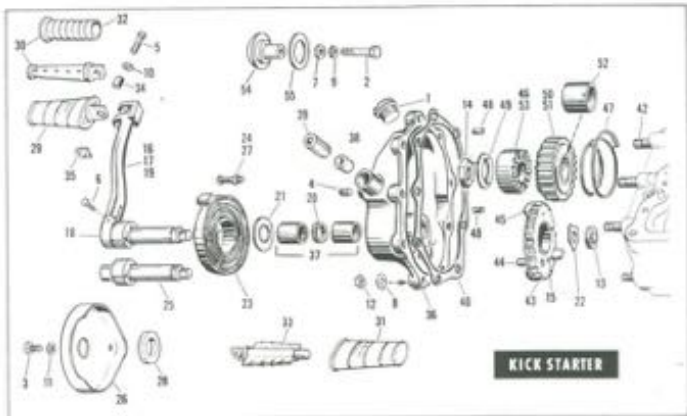
INDEX NO.	PART NO.	NAME	USED ON
1	2682	SCREW, No. 10-32 x 3/8 Phillips hd.	Late 66 to * - FL, FLR
2	8253W	WASHER, thru-bolt, 1/4 (2)	Late 66 to * - FL, FLR
3	7036	LOCKWASHER, 1/4	Late 66 to * - FL, FLR
4	7127	LOCKWASHER, 5/16 int. tooth	Late 66 to * - FL, FLR
5	7220	LOCKWASHER, No. 10 external tooth	Late 66 to * - FL, FLR
6	7230	LOCKWASHER, thru-bolt, 1/4 ext. tooth (2)	Late 66 to * - FL, FLR
7	7676	NUT, thru-bolt, 1/4 (2)	Late 66 to * - FL, FLR
8	7688	NUT, 3/4-20 x 7/32 x 7/16 hex. (3)	Late 66 to * - FL, FLR
9	7753	NUT, 5/16-24 x 17/64 x 1/2	Late 66 to * - FL, FLR
10	31435-64A	STARTER MOTOR	Late 66 to * - FL, FLR
11	31476-66	BRACKET, starter motor	Late 66 to * - FL, FLR
12	31534-66	SET OF BRUSH SPRINGS	Late 66 to * - FL, FLR
13	31535-66	SET OF THRU-BOLTS	Late 66 to * - FL, FLR
14	31536-66	COVER ASSEMBLY, commutator end	Late 66 to * - FL, FLR
15	31527-66	BRUSH PLATE AND HOLDER ASSEMBLY	Late 66 to * - FL, FLR
16	31538-66	COVER ASSEMBLY, drive end	Late 66 to * - FL, FLR
17	31539-66	BALL BEARING, drive end	Late 66 to * - FL, FLR
18	31540-66	FRAME AND FIELD COILS, assembled	Late 66 to * - FL, FLR
19	31541-66	SET OF FOUR BRUSHES	Late 66 to * - FL, FLR
20	31542-66	ARMATURE	Late 66 to * - FL, FLR
21	31565-67	END COVER KIT, brush	Late 66 to * - FL, FLR
22	31566-67	BRACKET, end cover	Late 66 to * - FL, FLR

STARTER MOTOR - HITACHI



STARTER MOTOR - HITACHI

INDEX NO.	PART NO.	N A M E	U S E D O N
1	2682	SCREW, No. 10-32 x 3/8 Phillips hd.	74 to * - FX
4	6701	WASHER, 1/4 x 5/8 x 1/34	74 to * - FX
5	7036	LOCKWASHER, 1/4	74 to * - FX
6	7049	LOCKWASHER, 3/32 (2)	74 to * - FX
7	7220	LOCKWASHER, No. 10 external tooth	74 to * - FX
8	7620W	NUT, No. 10-24 x 1/8 x 3/8 hex. (4)	74 to * - FX
9	7686	NUT, 3/4	74 to * - FX
11	31565-67	END COVER KIT	74 to * - FX
12	31568-67	BRACKET, end cover	74 to * - FX
	31570-73	STARTER MOTOR	74 to * - FX
13	31573-73	BRUSH, field coil mounted (2)	74 to * - FX
14	31576-73	SET OF THRU-BOLTS	74 to * - FX
15	31577-73	COVER, drive end	74 to * - FX
16	31578-73	COVER, commutator end - with bushing	74 to * - FX
17	31579-73	FRAME AND FIELD COILS, with 2 brushes	74 to * - FX
18	31580-73	ARMATURE, with ball bearing	74 to * - FX
19	31581-73	BRUSH HOLDER, with 4 springs and 2 brushes	74 to * - FX
20	31582-73	BRUSH (2)	74 to * - FX
21	31583-73	BALL BEARING, armature drive end	74 to * - FX
22	31584-73	SET OF THRUST WASHERS, armature commutator end	74 to * - FX
23	31585-73	SCREW, with lockwasher (2)	74 to * - FX
24	31588-73	INSULATOR, terminal	74 to * - FX
	33217-73	ELECTRIC START CONVERSION KIT	73 to * - FX



KICK STARTER

INDEX NO.	PART NO.	NAME	USED ON
NOTE: Kick starter cannot be used on 1970 and later Electra-Glide Models FL, FLH			
1	701A	FILLER PLUG, starter cover	41 to * - FL, FLH, FX
2	2614	BOLT, 1/4-28 x 2 hex. hd.	68 & 69 - FL, FLH
3	266A	SCREW, No. 10-24 x 7/16 vs. hd.	41 to * - FL, FLH, FX
4	3230W	SET SCREW, clutch release shaft	68 & 69 - FL, FLH
5	4330W	BOLT, 1/4-24 x 1-1/8 hex. hd.	41 to * - FL, FLH, FX
6	4411	BOLT, 3/8-24 x 1-3/4 hex. hd.	41 to * - FL, FLH, FX
7	6257W	WASHER, 5/32 x 5/8 x 1/16	68 & 69 - FL, FLH
8	6310W	WASHER, 5/16 x 5/8 x 1/16 (R)	41 to * - FL, FLH, FX
9	7050	LOCKWASHER, 1/4	68 & 69 - FL, FLH
10	7050	LOCKWASHER, 3/8	41 to * - FL, FLH, FX
11	7220	LOCKWASHER, No. 30 external tooth	41 to * - FL, FLH, FX
12	7753	NUT, 5/16-24 x 1/4 x 1/2 hex. (R)	41 to * - FL, FLH, FX
13	7931	NUT, 1/2-20 x 7/16 x 7/8 hex.	41 to * - FL, FLH, FX
14	7977	NUT, 5/8-18 x 1/4 x 9/16 hex.	41 to * - FL, FLH, FX
15	8241	RIVET, 3/16 x 1/32 (R)	41 to * - FL, FLH, FX
	33050-68	KICK STARTER KIT	68 to 69 - FL, FLH
16	33051-71	STARTER CRANK, only (chrome)	71 to Early 72 - FX
17	33057-72	STARTER CRANK, only (chrome)	Late 72 to * - FX
18	33063-36A	STARTER CRANK ASSEMBLY	41 to 67 - FL, FLH
19	33068-54	STARTER CRANK, only (black)	54 to * - FL, FLH, FX
20	33076-37	OIL SEAL	41 to * - FL, FLH, FX
21	33080-36	WASHER, starter crank	41 to * - FL, FLH, FX
22	33082-16	LOCKWASHER, starter crank (2)	41 to * - FL, FLH, FX
23	33093-36	SPRING, starter crank	41 to * - FL, FLH, FX
24	33096-36	STUD, starter spring, without spring cover screw hole	41 to * - FL, FLH, FX
25	33096-34A	STARTER CRANK SHAFT	54 to * - FL, FLH, FX
26	33156-59	SPRING COVER KIT, complete	41 to * - FL, FLH, FX
27	33157-59	STUD, starter spring, with spring cover screw hole	41 to * - FL, FLH, FX
28	33158-60	INSERT, spring cover	41 to * - FL, FLH, FX
29	33175-16A	STARTER PEDAL, complete (black rubber)	41 to 67 - FL, FLH
30	33179-63	STARTER PEDAL, complete	71 to * - FX
31	33182-63A	PEDAL RUBBER, starter (black)	63 to 67 - FL, FLH
32	33189-63	PEDAL RUBBER, black	71 to * - FX
33	33202-43	AXLE PLATE, starter crank pedal	63 to 69 - FL, FLH

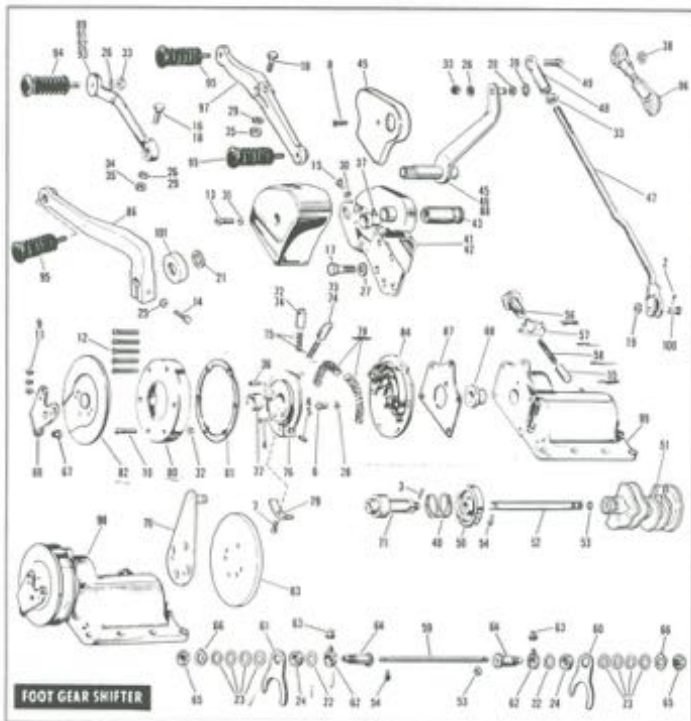
KICK STARTER (CONT'D)

INDEX NO.	PART NO.	NAME	USED ON
34	33213-31	BUSHING, pedal pin	41 to * - FL, FLH, FX
35	33215-30	WASHER, pedal pin	41 to * - FL, FLH, FX
36	33277-36A	STARTER COVER (transmission cover)	41 to 60 - FL, FLH, FLI to * - FX
37	33288-37	BUSHING SET, starter crank	41 to * - FL, FLH, FX
38	33290-38	LOWER BUSHING, starter cover	41 to * - FL, FLH, FX
39	33291-36	UPPER BUSHING, starter cover	41 to * - FL, FLH, FX
40	33295-36	GASKET, starter cover	41 to * - FL, FLH, FX
42	33296-61	STUD, starter cover (9)	65 to * - FL, FLH, FX
43	33350-36	GEAR, starter crank - 24 T.	41 to * - FL, FLH, FX
44	33351-36	PIN, starter crank gear	41 to * - FL, FLH, FX
45	33358-36	CAM PLATE, starter crank gear	41 to 74 - FL, FLH, FX
46	33361-39	STARTER CLUTCH	41 to Early 75 - FL, FLH, FX
47	33391-36	SPRING, starter clutch	41 to * - FL, FLH, FX
48	33393-50	KEY, starter clutch (2) (1 - late 73 & later)	41 to * - FL, FLH, FX
49	33394-39	LOCKWASHER, starter clutch	41 to * - FL, FLH, FX
50	33430-50	STARTER GEAR, manshaft - 34 T.	67 to * - FL, FLH, FX
51	33430-59	STARTER GEAR, manshaft - 34 T.	Late 59 to 66 - FL, FLH
52	33430-90	BUSHING, manshaft starter gear	Late 50 to * - FL, FLH, FX
53	33560-71	STARTER CLUTCH	Late 75 to * - FX
54	36870-68	PLUG, starter cover	68 & 69 - FL, FLH
55	36821-68	GASKET, cover plug	68 & 69 - FL, FLH

FOOT GEAR SHIFTER

1	216	ROLL PIN (2)	52 to 73 - FL, FLH, FX
2	515	COTTER PIN, 1/16 x 1/2	71 to 73 - FX; 52 to * - FL, FLH
3	134	COTTER PIN, 1/32 x 5/8	51 to * - FL, FLH, FX
4	623	ROLL PIN (2)	74 to * - FL, FLH, FX
5	625	ROLL PIN	Late 75 - FL, FLH, FX
6	1360	SCREW, 1/4-20 x 13/16 flt, hd.	52 to * - FL, FLH, FX
7	1408	SCREW, No. 6-32 x 7/16 crsk. Pozidriv flat hd.	52 to * - FL, FLH, FX
8	1719F	SCREW, No. 8-32 x 1/8 Phillips hd.	65 to * - FL, FLH, FX
9	1761K	SCREW, No. 10-24 x 1/2 crsk. hd. (3)	52 to 66 - FL, FLH
10	1764F	SCREW, No. 10-24 x 3/5-32 socket hd.	65 to * - FL, FLH, FX
11	1767K	SCREW, No. 10-24 x 1/2 crsk. hd. (3)	65 to * - FL, FLH, FX
12	1772F	SCREW, No. 10-24 x 3/8 pocket hd. (3)	65 to * - FL, FLH, FX
13	2360	SCREW, 1/4-20 x 1-1/4 Pozidriv oval crsk. hd.	52 to 66 - FL, FLH
14	2551F	BOLT, 1/4-20 x 1 hex. hd.	74 to * - FX
15	2587	SCREW, 1/4-24 x 3/8 rd. hd.	71 to 73 - FX; 52 to * - FL, FLH
16	4018F	BOLT, 5/16-24 x 1-1/4 hex. hd.	52 to * - FL, FLH
17	4124F	BOLT, 3/8-24 x 3/4 hex. hd. (3)	71 & 72 - FX; 52 to * - FL, FLH
18	4127F	BOLT, 3/8-24 x 1-1/4 hex. hd.	71 & 72 - FX; Late 65 to * - FL, FLH
19	6120F	WASHER, 1/4 x 7/16 x 1/32	71 & 72 - FX; 52 to * - FL, FLH
20	6170F	WASHER, 3/8 x 9/16 x 1/32	65 to * - FL, FLH, FX
21	6409	THRUST WASHER, 1/2 x 3/4 x 1/32	74 to * - FX
22	6750	WASHER, 43/64 x 35/64 x .007 (see fig. 1)	41 to * - FL, FLH, FX
23	6752	WASHER, 43/64 x 35/64 x 1/64 (see fig. 1)	41 to * - FL, FLH, FX
24	6754	WASHER, 21/32 x 35/64 x 3/32 (2)	41 to * - FL, FLH; 71 to Late 76 - FX
25	7036	LOCKWASHER, 1/4	74 to * - FX
26	7041	LOCKWASHER, 5/16	41 to * - FL, FLH, FX
27	7030	LOCKWASHER, 3/8 (3)	52 to * - FL, FLH, FX
28	7124	LOCKWASHER, 1/4 internal tooth	52 to * - FL, FLH, FX
29	7130K	LOCKWASHER, 3/8 internal tooth	71 to 73 - FX; Late 65 to * - FL, FLH
30	7230	LOCKWASHER, 1/4 external tooth	52 to * - FL, FLH, FX
31	7231	LOCKWASHER, 1/4 external tooth crsk.	52 to 64 - FL, FLH
32	7620K	NUT, No. 10-24 x 1/8 x 3/8 hex.	52 to * - FL, FLH, FX
33	7744	NUT, 5/16-24 x 3/16 x 1/2 hex.	52 to * - FL, FLH, FX
34	7751	NUT, 5/16-24 x 1/4 x 1/2 hex.	41 to * - FL, FLH
35	7900F	NUT, 3/8-24 x 21/64 x 9/16 hex.	Late 65 to * - FL, FLH, FX
36	9106A	PIN, shifter gear carrier (2)	52 to * - FL, FLH, FX
37	9651	GREASE FITTING, lever bracket	52 to * - FL, FLH, FX
38	1101K	RETAINING RING, shifter rod (2)	74 to * - FX

NOTE: Refer to the applicable part in your foot shifter model parts catalog for more



FOOT GEAR SHIFTER (CONT'D)

INDEX	PART		USED ON
NO.	NO.	NAME	
39	11031	RETAINING RING	65 to 73 - FL, FLH, FX
40	33390-26	SPRING, shifter gear	43 to * - FL, FLH, FX
41	33630-52	BRACKET, shift lever	52 to 64 - FL, FLH
42	33630-65	BRACKET, shift lever	65 to 69 - FL, FLH
	33630-70	BRACKET, shift lever	70 to * - FL, FLH
	33630-71	BRACKET, shift lever	71 to 73 - FX
43	33638-52	BUSHING, shift lever	57 to 68 - FL, FLH
	33638-70	BUSHING, shift lever	70 to * - FL, FLH, FX
45	33644-65	COVER, shift lever	65 to * - FL, FLH
	33644-71	COVER, shift lever	71 to 73 - FX

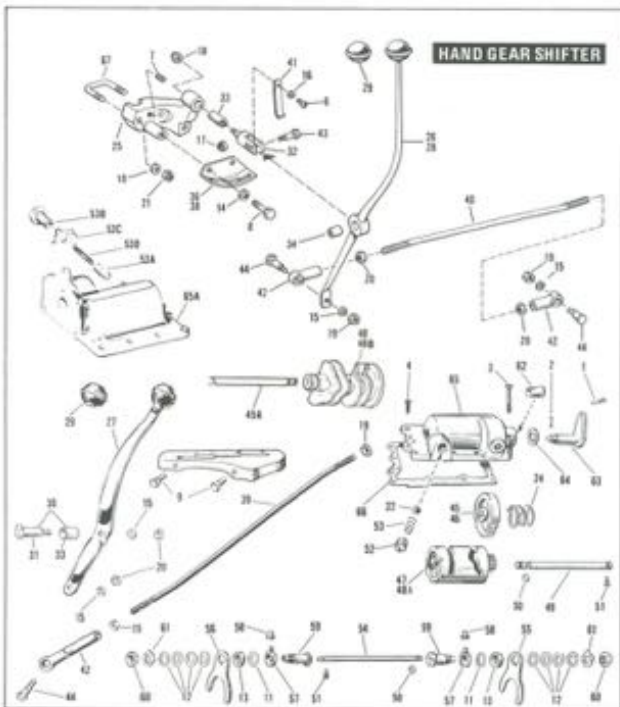
FOOT GEAR SHIFTER (CONT'D)

INDEX NO.	PART NO.	NAME	USED ON
46	13660-54	SHIFT LEVER	54 to 64 - FL, FLH
	13660-65	SHIFT LEVER	65 to 68 - FL, FLH
	13660-70	SHIFT LEVER	70 to 71 - FL, FLH, FX
	13660-74	SHIFT LEVER	74 to * - FL, FLH
47	13651-52	SHIFTER ROD	71 to 73 - FX, 52 to * - FL, FLH
48	13676-31	END, shifted	51 to 66 - FL, FLH
	13671-67	END, shifted	71 to 73 - FX, 67 to * - FL, FLH
49	13678-61	SCREW, shift rod and shaft lever	51 to 64 - FL, FLH
50	13960-36A	SHIFTER GEAR (4 speed only - 1965)	71 to 74 - FX, 41 to * - FL, FLH
	13960-65	SHIFTER GEAR (3 speed & reverse)	65 to 70 - FL, FLH
	13960-74	SHIFTER GEAR	75 to * - FX
51	14006-74	SHIFTER CAM (casting)	75 to * - FX
	14018-73	SHIFTER CAM (casting)	52 to * - FL, FLH, 73 to 74 - FX
52	14031-42	SHAFT, shifter cam	52 to * - FL, FLH, FX
53	14026-36	OIL SEAL, shifter cam shaft	41 to * - FL, FLH, FX
54	14050-36	LOCK SCREW, shifter cam shaft	41 to * - FL, FLH, FX
55	14062-52	CAM FOLLOWER	52 to * - FL, FLH, FX
56	14064-52	RETAINER, cam follower	52 to * - FL, FLH, FX
57	14066-52	WASHER, cam follower retainer	52 to * - FL, FLH, FX
58	14068-52	SPRING, cam follower	52 to * - FL, FLH, FX
59	14140-36	FORK SHAFT	41 to * - FL, FLH, FX
60	14158-36	SHIFTER FORK, mainshaft	41 to * - FL, FLH, FX
61	14159-36	SHIFTER FORK, countershaft (4 speed)	41 to * - FL, FLH, FX
	14160-39	SHIFTER FORK, countershaft (3 speed & reverse)	41 to * - FL, FLH
62	14165-36	SHIFTER FINGER (2)	41 to * - FL, FLH, FX
63	14166-39	ROLLER, shifter finger (2)	41 to * - FL, FLH, FX
64	14175-36	BUSHING, shifter fork (2)	41 to * - FL, FLH 75 to Late 76 - FX
65	14178-33	NUT, bushing (2)	41 to * - FL, FLH, FX
66	14180-33	LOCKWASHER, bushing (2)	41 to * - FL, FLH, FX
	14182-76	SHIFTER FINGER (2)	Late 76 to * - FX, FXE
67	14226-52	BUSHING, shifter shaft lever	52 to * - FL, FLH, FX
68	14435-52	BUSHING, shifter shaft (brass)	41 to * - FL, FLH, FX
69	14443-52	LEVER, shifter shaft	71 to 73 - FX, 52 to * - FL, FLH
70	14447-74	LEVER, shifter shaft	74 to * - FX
71	14453-52	SHIFTER SHAFT	52 to * - FL, FLH, FX
72	14471-53	SHIFTER PAWL, left (without spring)	52 to Early 75 - FL, FLH, FX
	14478-53	SHIFTER PAWL, right (without spring)	52 to Early 75 - FL, FLH, FX
74	14478-75	SHIFTER PAWL (2)	Late 75 to * - FL, FLH, FX
75	14482-52	SPRING, shifter pawl (2)	52 to * - FL, FLH, FX
76	14489-52B	CARRIER, shifter pawl	52 to * - FL, FLH, FX
77	14496-52	BUSHING, pawl carrier	52 to * - FL, FLH, FX
78	14500-52A	SPRING, pawl carrier (2)	52 to * - FL, FLH, FX
79	14525-94	RETAINER, pawl	52 to * - FL, FLH, FX
80	14551-52	COVER, shifter	52 to * - FL, FLH, FX
81	14552-52	GASKET, shifter cover	52 to * - FL, FLH, FX
82	14555-52	SHIELD, dust cover	71 to 73 - FX, 52 to * - FL, FLH
	14555-74	SHIELD, dust cover	74 to * - FX
84	14560-52	ADAPTER PLATE, shifter	52 to * - FL, FLH, FX
85	14564-73	SHIFT LEVER, chrome	71 to 73 - FX
86	14564-74	SHIFT LEVER, without rubber - zinc	74 to * - FX
87	14565-52	GASKET, adapter plate	52 to * - FL, FLH, FX
88	14574-74	SHIFT LEVER, zinc	74 to * - FX
89	14600-74	SHIFT LEVER, with rubber	74 to * - FL, FLH
90	14603-71	SHIFT LEVER (zinc)	71 to 73 - FX
	14604-71	SHIFT LEVER (chrome)	71 to 73 - FX
92	14606-54A	SHIFT LEVER, without rubber	74 to 75 - FL, FLH
93	14606-74	SHIFT LEVER, without rubber	74 to * - FL, FLH
94	14605-52	RUBBER, shift lever (black)	52 to * - FL, FLH
	14609-81	RUBBER, shift lever (white)	52 to * - FL, FLH
95	14629-65	RUBBER, shift lever (white)	65 to * - FL, FLH, FX
	14631-65	RUBBER, shift lever (black)	65 to * - FL, FLH, FX
96	14614-74	SHIFTER ROD, with ball joints	74 to * - FX
97	14690-65	SHIFT LEVER, with rubber (heel & toe)	65 to 73 - FL, FLH
	14690-74	SHIFT LEVER, with rubber (heel & toe)	74 to * - FL, FLH
	14797-65	CONVERSION KIT, handshift to footshift	65 to 68 - FL, FLH
	14797-70	CONVERSION KIT, handshift to footshift	70 to * - FL, FLH

NOTE: Asterisk (*) indicates part is used for latest model year shown in cover.

FOOT GEAR SHIFTER (CONT'D)

INDEX NO.	PART NO.	NAME	USED ON
38	34799-65	SHIFTER ASSEMBLY (hotshift) - 4 speed	71 to 73 - FX; 65 to * - FL, FLH
	34799-74A	SHIFTER ASSEMBLY (hotshift) - 4 speed	74 to * - FX
39	34803-50	COVER, shifter (hotshift)	59 to * - FL, FLH, FX
100	42269-30	CLEVIS PIN, shift rod	71 to 73 - FX; 52 to 74 - FL, FLH
101	60400-74	COVER, shift lever	74 to * - FX



HAND GEAR SHIFTER

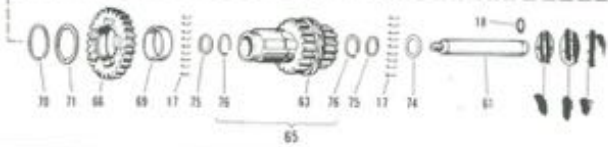
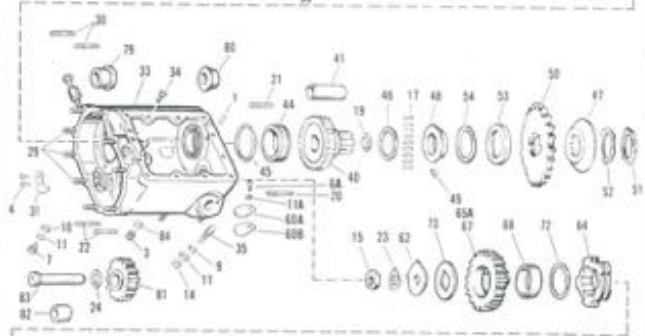
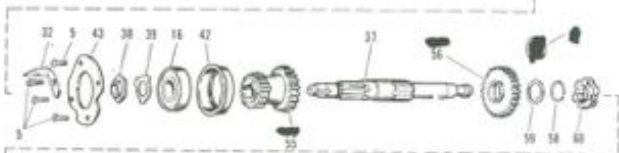
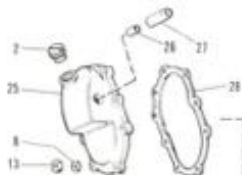
1	105	COTTER PIN, 1/16 x 1/2 (2)	50 to * - FL, FLH
2	534	COTTER PIN, 3/32 x 5/8	51 to * - FL, FLH
3	1765W	SCREW, 1/4-24 x 2 socket hd. (2)	65 to * - FL, FLH
4	1766W	SCREW, 1/4-24 x 13/16 soc. hd. (9)	65 to * - FL, FLH
	2323W	SCREW, 1/4-24 x 13/16 slk. hd. (10 to 14)	41 to 64 - FL, FLH
	9644	SCREW, No. 10-24 x 7/16 Pozidriv pan hd.	66 to * - FL, FLH
	9647L	SET SCREW, shift lever bracket	66 to * - FL, FLH

NOTE: Asterisk (*) indicates part is used for latest model year shown on cover.

HAND GEAR SHIFTER (CONT'D)

INDEX NO.	PART NO.	NAME	USED ON
8	3720	BOLT, 1/4-28 x 1/16 hex. No. (2)	66 to * - FL, FLH
9	3798	BOLT, 1/4-28 x 5/8 hex. No. (2)	47 to 65 - FL, FLH
44	64020B	WASHER, 1/8 x 22/64 x 7/64 (2)	66 to * - FL, FLH
-11	6750	WASHER, 41/64 x 55/64 x .007 (as H96-3)	41 to * - FL, FLH
-12	6752	WASHER, 41/64 x 55/64 x 1/64 (as H96-3)	41 to * - FL, FLH
13	6754	WASHER, 21/32 x 55/64 x 3/32 (2)	41 to * - FL, FLH
14	2096	LOCKWASHER, 1/8 (2)	66 to * - FL, FLH
97	4046	LOCKWASHER, 5/16	41 to * - FL, FLH
94	4060	LOCKWASHER, No. 10 (3)	66 to * - FL, FLH
97	4469	LOCKNUT, 1/4-28	66 to * - FL, FLH
16	3796	LOCKNUT, 5/16-24	66 to * - FL, FLH
90	2220	LOCKNUT, 5/16-24 x 1/4 x 1/2 hex.	52 to * - FL, FLH
24	2324	NUT, 5/16-24 x 17/64 x 1/2 hex.	41 to * - FL, FLH
29	4499	LOCKNUT, 1/8 x 7/16 x 9/16 hex.	66 to * - FL, FLH
28	6672	STEEL BALL, 1/2 in.	41 to Late 76 - FL, FLH
24	3320-26	SPRING, shift gear	41 to * - FL, FLH
26	3440-66	SUPPORT BRACKET, shift lever	66 to * - FL, FLH
26	3366-66	LEVER (small fork)	66 to * - FL, FLH
31	3375-17A	LEVER, (shift hand only)	41 to 65 - FL, FLH
35	3376-66	LEVER (large fork)	66 to * - FL, FLH
29	3374-31	BALL, hand shift lever (back)	41 to 65 - FL, FLH
30	3970-57	STUD, shift lever, with bushing	41 to 65 - FL, FLH
31	3936-67	STUD, shift lever	47 to 65 - FL, FLH
32	3374-66	PIVOT SHAFT, hand shift lever	66 to * - FL, FLH
33	3378-47	BUSHING, shift lever stud	47 to * - FL, FLH
34	3378-66	BUSHING, hand shift lever	66 to * - FL, FLH
36	3240-66	GUIDE, shift lever (4 speed)	66 to * - FL, FLH
36	3971-66	GUIDE, shift lever (3 speed and reverse)	66 to * - FL, FLH
39	3387-52	SHIFTER ROD	51 to 65 - FL, FLH
40	3388-66	SHIFTER ROD	66 to * - FL, FLH
41	3966-66A	SPRING, shift lever (2)	66 to * - FL, FLH
46	3382-51	END, shift rod (2)	51 to * - FL, FLH
49	3945-66	SHOULDER BOLT, shift lever	66 to * - FL, FLH
44	3383-51	SCREW, shift rod & shift lever	41 to * - FL, FLH
45	3390-30A	SHIFTER GEAR (4 speed only on 2MS & later)	41 to * - FL, FLH
46	3390-62	SHIFTER GEAR (3 speed and reverse)	65 to * - FL, FLH
47	3420-36	SHIFTER CAM (4 speed)	41 to Late 76 - FL, FLH
48	3410-26	SHIFTER CAM (3 speed and reverse)	Late 76 to * - FL, FLH
49A	3401-39	SHIFTER CAM (3 speed and reverse)	41 to Late 76 - FL, FLH
48B	3405-73	SHIFTER CAM	Late 76 to * - FL, FLH
49	3430-36	SHAFT, shifter cam	41 to Late 76 - FL, FLH
49A	3435-41	SHAFT, shifter cam	Late 76 to * - FL, FLH
50	3426-36	OIL SEAL, shifter cam shaft	41 to * - FL, FLH
51	3420-36	LOCK SCREW, shifter cam shaft	41 to * - FL, FLH
52	3464-66	CAP SCREW, cam plunger	41 to Late 76 - FL, FLH
53	3463-36	SPRING, plunger ball	41 to Late 76 - FL, FLH
53A	3462-51	CAM FOLLOWER	Late 76 to * - FL, FLH
53B	3464-51	RETAINER, cam follower	Late 76 to * - FL, FLH
53C	3464-51	WASHER, cam follower retainer	Late 76 to * - FL, FLH
53D	3464-51	SPRING, cam follower	Late 76 to * - FL, FLH
54	3470-36	FORK SHAFT	41 to * - FL, FLH
55	3415-36	SHIFTER FORK, mainshaft	41 to * - FL, FLH
56	3415-36	SHIFTER FORK, countershaft (4 speed)	41 to * - FL, FLH
57	3415-36	SHIFTER FORK, countershaft (3 speed and reverse)	41 to * - FL, FLH
57	3415-36	SHIFTER FINGER (2)	41 to * - FL, FLH
58	3416-39	ROLLER, shifter finger (2)	41 to * - FL, FLH
59	3417-36	BUSHING, shifter fork (2)	41 to * - FL, FLH
60	3417-33	NUT, bushing (2)	41 to * - FL, FLH
61	3418-33	LOCKWASHER, bushing (2)	41 to * - FL, FLH
62	3430-36	BUSHING, shifter shaft	52 to Late 76 - FL, FLH
66	3048-58	SHIFT LEVER, with shaft	51 to * - FL, FLH
64	3409-36	LEATHER WASHER, shift shaft	41 to * - FL, FLH
64	3497-65	CONVERSION KIT, handshift to footshift	65 to 69 - FL, FLH
64	3497-70	CONVERSION KIT, handshift to footshift	70 to * - FL, FLH
64	34800-65	SHIFTER ASSEMBLY (3 speed and reverse)	65 to * - FL, FLH
64	34800-65	SHIFTER ASSEMBLY (4 speed)	65 to * - FL, FLH
65A	34822-65	COVER, shifter	65 to Late 76 - FL, FLH
66	34824-36	CAKSET, shifter lever	41 to * - FL, FLH
64	3660-52	U-BOLT, support bracket	66 to * - FL, FLH

TRANSMISSION



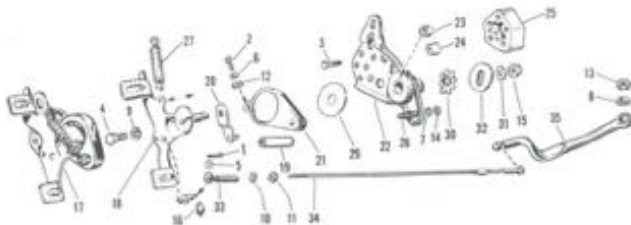
65

TRANSMISSION

INDEX NO.	PART NO.	NAME	USED ON
1	375	DOMEL PIN (2)	41 to * - FL, FLH, FX
2	701A	FILLER PLUG, transmission cover	70 to * - FL, FLH, FX
3	707	DRAIN PLUG	41 to * - FL, FLH, FX
4	18648	SCREW, 1/4-24 x 3/8 dia., No. (2)	41 to 65 - FL, FLH; 71 to * - FX
5	2333V	SCREW, 1/4-24 x 13/16 ctk., No. (4)	41 to * - FL, FLH, FX
6			41 to 64 - FL, FLH
6A	2664	SCREW, No. 10-24 x 7/16 Phillips No. (2)	73 to * - FX
7	2879W	BOLT, 3/8-16 x 1 No., No.	41 to * - FL, FLH, FX
8	6116W	WASHER, 1/16 x 3/8 x 1/16 (8)	39 to * - FL, FLH, FX
9	6408H	WASHER, bottom stud, 3/8 x 1 x 3/32 (4)	41 to * - FL, FLH, FX
10	6701	WASHER, 3/8 x 13/16 x 1/16	41 to * - FL, FLH, FX
11	7036	LOCKWASHER, 3/8 (5)	41 to * - FL, FLH, FX
11A	7068	LOCKWASHER, No. 80	71 to * - FX
12			41 to 64 - FL, FLH
12	7752	NUT, 5/16-24 x 1/4 x 1/2 hex. (3)	70 to * - FL, FLH, FX
14	7600W	NUT, 3/8-24 x 21/64 x 3/16 hex. (4)	41 to * - FL, FLH, FX
20	7811	NUT, 1/2-20 x 7/32 x 7/8 hex.	41 to * - FL, FLH, FX
26	9020	BALL BEARING, mainshaft	41 to * - FL, FLH, FX
27	9084	ROLLER, main drive gear & countershaft - .008 O.S. (44)	41 to * - FL, FLH, FX
	9085	ROLLER, main drive gear & countershaft - .008 O.S. (44)	41 to * - FL, FLH, FX
	9086	ROLLER, main drive gear & countershaft - .008 O.S. (44)	41 to * - FL, FLH, FX
28	11113	O-RING, countershaft	65 to * - FL, FLH, FX
29	12013	OIL SEAL, main drive gear	85 & Early 66 - FL, FLH
	12022	OIL SEAL, main drive gear	Late 66 to * - FL, FLH, FX
30	16830-29	STUD, 3/8-24 x 1-11/16 (2)	65 to 69 - FL, FLH
31	16830-54	STUD, 3/8-24 x 1-11/16 (2) (3 in 1970 & later)	41 to * - FL, FLH, FX
32	24818-52	STUD, 5/16-18 x 1/4-24 x 1-11/16 (2) (3 in 1970 & later)	41 to * - FL, FLH, FX
33	33608-70	TRANSMISSION, 3 speed and reverse (handshift)	70 to * - FL, FLH
	33011-70	TRANSMISSION, four speed (footshift)	39 to * - FL, FLH
	33013-70	TRANSMISSION, four speed (handshift)	39 to * - FL, FLH
	33014-70A	TRANSMISSION, four speed (footshift)	74 to * - FX
	33031-30	TRANSMISSION GASKET SET	41 to 64 - FL, FLH
	33031-40	TRANSMISSION GASKET SET	65 to * - FL, FLH, FX
23	33082-15	LOCKWASHER, countershaft nut	41 to * - FL, FLH, FX
24	33237-64	SPACER, reverse idler gear	64 to * - FL, FLH
25	33276-70	COVER, transmission (see Kick Scooter for 1960 & earlier cover)	70 to * - FL, FLH
26	33290-36	LOWER BUSHING, transmission cover	70 to * - FL, FLH, FX
27	33291-36	UPPER BUSHING, transmission cover	70 to * - FL, FLH, FX
28	33295-36	GASKET, transmission cover	70 to * - FL, FLH, FX
29	33298-65	STUD, 5/16-18 x 1/4-24 x 1-1/2 (5) (4 in 1970 & later)	65 to * - FL, FLH, FX
30	33299-65	STUD, 5/16-18 x 1/4-24 x 1-3/4 (2)	65 to * - FL, FLH, FX
31	33353-36	BUMPER PLATE, starter crank	41 to 65 - FL, FLH; 71 to * - FX
32	33429-39	OIL DEFLECTOR, mainshaft starter gear	41 to 65 - FL, FLH; 71 to * - FX
33	34700-36	TRANSMISSION HOUSING	41 to 64 - FL, FLH
	34701-65A	TRANSMISSION HOUSING (4 speed)	65 to * - FL, FLH, FX
	34705-65A	TRANSMISSION HOUSING (3 speed & rev.)	65 to * - FL, FLH
34	34720-36	VENT SCREW, transmission housing	56 to * - FL, FLH, FX
35	34723-47	STUD, gear box bottom, oversize (4)	47 to * - FL, FLH, FX
	34724-36	BOTTOM STUD, transmission housing (4)	41 to * - FL, FLH, FX
	34797-65	CONVERSION KIT, handshift to footshift	65 to 69 - FL, FLH
	34797-70	CONVERSION KIT, handshift to footshift	70 to * - FL, FLH
37	35039-65	MAINSHAFT	65 to 69 - FL, FLH
	35039-70A	MAINSHAFT	70 to * - FL, FLH, FX
	35040-50	MAINSHAFT	41 to 64 - FL, FLH
38	35046-36	NUT, mainshaft bearing, with lockwasher	41 to * - FL, FLH, FX
39	35050-40	LOCKWASHER, mainshaft bearing	41 to * - FL, FLH, FX
40	35065-65B	MAIN DRIVE GEAR - 25 T.	41 to * - FL, FLH, FX
			70 to * - FL, FLH
			70 to * - FL, FLH
41	35094-31	BUSHING, main drive gear	41 to 64 - FL, FLH
	35094-65	BUSHING, main drive gear	65 to * - FL, FLH, FX
42	35100-36	HOUSING, mainshaft bearing	41 to * - FL, FLH, FX
43	35111-36	RETAINING PLATE, bearing housing	41 to * - FL, FLH, FX
44	35125-37	OUTER RACE, mainshaft bearing	41 to * - FL, FLH, FX
45	35129-36	RETAINING RING, outer race	41 to * - FL, FLH, FX

TRANSMISSION (CONT'D)

INDEX NO.	PART NO.	NAME	USED ON
46	35131-36	RETAINING WASHER, bearing roller	41 to * - FL, FLH, FX
47	35132-36	RETAINING WASHER, bearing roller	41 to 64 - FL, FLH
48	35171-37	SPACER, main gear	41 to * - FL, FLH, FX
49	35175-38	KEY, drive gear shaft	41 to * - FL, FLH, FX
50	35205-36	SPROCKET, mainshaft - 22 T.	71 & 72 - FX; 41 to * - FL, FLH
51	35211-36	LOCKNUT, mainshaft sprocket	41 to * - FL, FLH, FX
	35212-71	SPROCKET, mainshaft - 23 T.	73 to * - FX
52	35216-36	LOCKWASHER, mainshaft sprocket	41 to * - FL, FLH, FX
53	35220-35	OIL SEAL, mainshaft	41 to * - FL, FLH, FX
54	35230-36	CORK WASHER, mainshaft oil seal	41 to * - FL, FLH, FX
55	35282-58	GEAR, mainshaft low & second (4 speed) - 15 & 20 T.	71 to 73 - FX; 59 to * - FL, FLH
	35282-74	GEAR, mainshaft low & second (4 speed) - 17 & 20 T.	74 to * - FX
	35282-75	GEAR, mainshaft low & second (4 speed) - 17 & 20 T.	41 to 70 - FL, FLH
✓ 56	35306-59	GEAR, mainshaft third (4 speed) - 24 T.	41 to 70 - FL, FLH
	35306-73	GEAR, mainshaft third (4 speed) - 24 T.	59 to * - FL, FLH, FX
58	35331-36	RETAINING RING, mainshaft second & third gears	41 to * - FL, FLH, FX
59	35365-36	WASHER, mainshaft second & third gears	41 to * - FL, FLH, FX
60	35440-38	CLUTCH, mainshaft	41 to * - FL, FLH, FX
60A	35606-73	PLATE, speedometer drive hole	73 to * - FX
60B	35607-73	GASKET, speedometer drive hole plate	73 to * - FX
61	35614-61	COUNTERSHAFT	41 to * - FL, FLH, FX
62	35630-36	END PLATE, countershaft	41 to * - FL, FLH, FX
63	35635-69	GEAR, speedometer drive (7 teeth)	71 & 72 - FX; 69 to * - FL, FLH
64	35665-36	CLUTCH, countershaft (4 speed)	41 to * - FL, FLH, FX
65	35700-71	COUNTERSHAFT GEAR, with retaining rings (4 speed) - 15 & 22 T.	41 to 72 - FX; 69 to * - FL, FLH
	35700-73	COUNTERSHAFT GEAR, with retaining rings (4 speed) - 15 & 22 T.	73 to * - FX
	35700-74	COUNTERSHAFT GEAR, with retaining rings (4 speed) - 15 & 22 T.	69 to * - FL, FLH
65A	35717-34	GEAR, countershaft low - with bushing (4 speed) - 24 T.	74 to * - FX
66	35731-36	GEAR, countershaft second (4 speed) - 21 T.	41 to * - FL, FLH, FX
67	35762-26	GEAR, countershaft low (3 speed & rev.) - 25 T.	41 to * - FL, FLH
	35765-36	GEAR, countershaft low (4 speed) - 26 T.	71 to 73 - FX; 41 to * - FL, FLH
	35775-38	GEAR, countershaft reverse - 23 T.	41 to * - FL, FLH
- 68	35789-36	BUSHING, countershaft low & reverse gears	41 to * - FL, FLH, FX
- 69	35791-36	BUSHING, countershaft low & second gears (4 speed)	41 to * - FL, FLH, FX
70	35810-36	RETAINING RING, countershaft low & second gears (4 speed)	41 to * - FL, FLH, FX
71	35811-36	WASHER, countershaft second & low gears (4 speed)	41 to * - FL, FLH, FX
72	35812-36	WASHER, low & reverse gears	41 to * - FL, FLH, FX
73	35875-36	SET OF WASHERS, countershaft - gear end	41 to * - FL, FLH, FX
	35876-36	WASHER, countershaft, gear end - .074 thick	41 to * - FL, FLH, FX
	35877-36	WASHER, countershaft, gear end - .078 thick	41 to * - FL, FLH, FX
	35878-36	WASHER, countershaft, gear end - .082 thick	41 to * - FL, FLH, FX
	35879-36	WASHER, countershaft, gear end - .085 thick	41 to * - FL, FLH, FX
	35880-36	WASHER, countershaft, gear end - .090 thick	41 to * - FL, FLH, FX
	35883-36	WASHER, countershaft, gear end - .095 thick	41 to * - FL, FLH, FX
	35884-36	WASHER, countershaft, gear end - .100 thick	41 to * - FL, FLH, FX
74	35915-36	RETAINING WASHER, countershaft bearing (inner)	41 to * - FL, FLH, FX
75	35917-36	RETAINING WASHER, countershaft bearing (inner) (2)	41 to * - FL, FLH, FX
76	35920-36	RETAINING RING, countershaft bearing (2)	41 to * - FL, FLH, FX
78	36040-36	BUSHING, countershaft (starter side)	41 to 64 - FL, FLH
80	36045-36	BUSHING, countershaft (clutch side)	41 to * - FL, FLH, FX
81	36046-36	BUSHING, countershaft (clutch side)	41 to * - FL, FLH
82	36047-36	BUSHING, countershaft (clutch side)	41 to * - FL, FLH
83	36048-36	BUSHING, countershaft (clutch side)	41 to * - FL, FLH
84	67902-52	WASHER, drain plug	41 to * - FL, FLH, FX

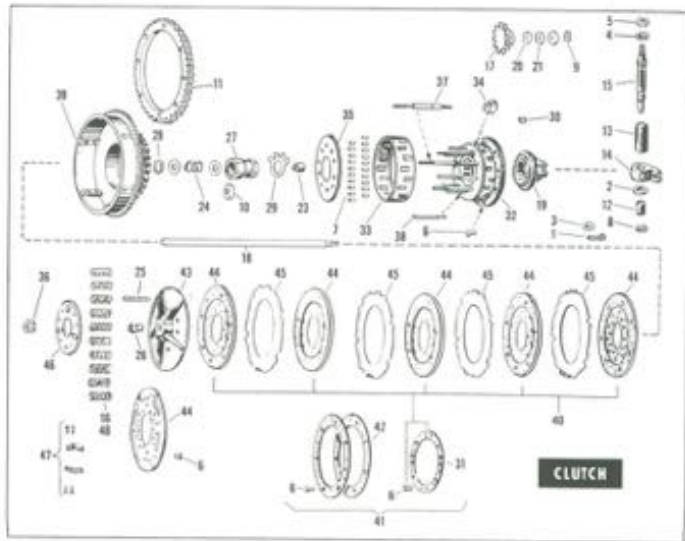


CLUTCH FOOT CONTROL

CLUTCH FOOT CONTROL

INDEX NO.	PART NO.	NAME	USED ON
1	534	COTTER PIN, 1/32 x 1/8	42 to 65 - FL, FLH
2	2773	SCREW, 1/4-20 x 1/2 Phosdry pan hb.	45 to * - FL, FLH
3	2775	BOLT, 1/8-16 x 2 hex. hd. 13	42 to * - FL, FLH
4	3609	BOLT, 1/4-18 x 9/16 hex. hd.	65 to * - FL, FLH
5	6702	WASHER, 5/16 x 11/16 x 1/16	42 to 65 - FL, FLH
6	7536	LOCKWASHER, 1/4	42 to * - FL, FLH
7	7536	LOCKWASHER, 3/8	42 to * - FL, FLH
8	7539	LOCKWASHER, 7/16	42 to * - FL, FLH
9	7941	LOCKWASHER, 5/16	65 to * - FL, FLH
10	7731	LOCKWASHER, 1/4 ext. tooth chsk.	42 to * - FL, FLH
11	7638	NUT, No. 10-32 x 1/8 x 3/8 hex.	42 to * - FL, FLH
12	7939W	NUT, 1/4-24 x 5/32 x 7/16 hex.	42 to * - FL, FLH
13	7837W	NUT, 7/16-20 x 3/8 x 11/16	42 to * - FL, FLH
14	7951W	JAMNUT, 3/8-24 x 7/32 x 9/16 hex.	42 to * - FL, FLH
15	7164	NUT, 5/8-24 x 7/32 x 7/8 hex.	42 to * - FL, FLH
16	5103T	RETAINING RING, rod end	65 to * - FL, FLH
17	36810-65A	FOOT LEVER AND BRACKET	65 to * - FL, FLH
18	36811-65	FOOT LEVER	65 to * - FL, FLH
19	36812-61	STOP PIN, clutch pedal	65 to * - FL, FLH
20	36816-65A	LEVER, operating rod	65 to * - FL, FLH
21	36820-36	COVER, foot lever bearing	42 to * - FL, FLH
22	36842-61	BRACKET, foot lever	42 to * - FL, FLH
23	36857-36	BUSHING, foot lever bracket	42 to * - FL, FLH
24	36869-48	SPACER, foot lever bracket (3 or 1)	48 to * - FL, FLH
25	36869-70	SPACER, foot lever bracket	42 to * - FL, FLH
26	36871-40	STUD, foot lever spring	42 to * - FL, FLH
27	36880-36	SPRING, foot lever	42 to * - FL, FLH
28	36899-61	FRICTION DISC, foot lever	42 to * - FL, FLH
29	36904-36	FRICTION WASHER, foot lever	42 to * - FL, FLH
30	36909-36	WASHER, foot lever shaft (inner)	42 to * - FL, FLH
31	36913-41	WASHER, foot lever shaft (outer)	42 to * - FL, FLH
32	36916-36	ROD END, clutch lever	42 to * - FL, FLH
33	36917-36	PULL ROD, clutch lever	42 to 48 - FL, FLH
34	36917-61	PULL ROD, clutch lever	65 to * - FL, FLH
35	57051-36	RELEASE LEVER	42 to 64 - FL, FLH
	57052-45	RELEASE LEVER (1968 & later - handshift only)	65 to * - FL, FLH

NOTE: Asterisk (*) indicates part is used for latest model year shown on cover.

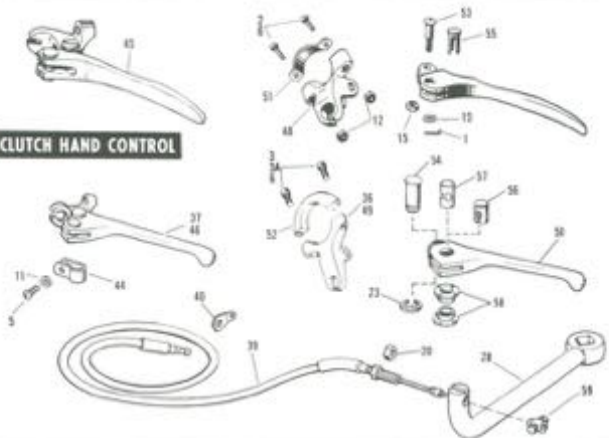


CLUTCH

INDEX NO.	PART NO.	NAME	USED ON
1	534	COTTER PIN, 3/32 x 5/8	41 69 69 - FL, FLH
2	6443HW	WASHER, 11/32 x 11/32 x 1/16	41 69 69 - FL, FLH, FX
3	6702	WASHER, 5/16 x 11/32 x 1/16	41 69 69 - FL, FLH
4	7039	LOCKWASHER, 7/16	41 69 69 - FL, FLH, FX
5	7637W	NUT, 7/16-20 x 5/8 x 11/16 hex.	41 69 69 - FL, FLH, FX
6	8226	RIVET, 3/16 x 7/32 brass (B)	41 69 69 - FL, FLH
	8227	RIVET, 3/16 x 5/32 brass (B)	41 69 69 - FL, FLH, FX
	8232	RIVET, 3/16 x 11/32 brass (23)	41 69 69 - FL, FLH
7	9540A	ROLLER, clutch hub bearing (2)	59 69 69 - FL, FLH, FX
8	11000	RETAINING RING	70 69 69 - FL, FLH, FX
9	11068	RETAINING RING	Late 75 69 69 - FL, FLH, FX
10	12014	OIL SEAL, mainshaft nut	65 69 69 - FL, FLH, FX
11	33163-65A	STARTER RING GEAR	65 69 69 - FL, FLH, 71 69 69 - FX
12	33295-38	BUSHING, release lever shaft (lower)	42 69 69 - FL, FLH, FX
13	33291-36	BUSHING, release lever shaft (upper)	42 69 69 - FL, FLH, FX
14	37070-39	RELEASE FINGER	42 69 74 - FL, FLH, FX
	37070-71	RELEASE FINGER	71 69 69 - FL, FLH, FX
15	37074-36A	STUD, release lever (finger shaft)	42 69 69 - FL, FLH, FX
16	37077-68	CLUTCH SPRING (30)	68 69 69 - FL, FLH, FX
17	37228-75	OIL SLINGER	Late 75 69 69 - FL, FLH, FX
18	37281-38	PUSH ROD, clutch	42 69 69 - FL, FLH
	37281-62	PUSH ROD, clutch	65 69 69 - FL, FLH
	37281-70	PUSH ROD, clutch	70 to Late 71 - FL, FLH, FX
	37281-71	PUSH ROD, clutch	Late 75 69 69 - FL, FLH, FX
19	37310-39	BEARING, push rod	42 69 69 75 - FL, FLH, FX
20	37311-71	THRUST WASHER, inner	Late 75 69 69 - FL, FLH, FX
21	37312-71	BEARING, push rod	Late 75 69 69 - FL, FLH, FX
22	37337-34	OIL SEAL, push rod (lower)	42 69 69 - FL, FLH
24	37348-42	SPRING, push rod oil seal	42 69 69 - FL, FLH
25	37357-42	ADJUSTING SCREW, push rod	42 69 69 - FL, FLH, FX
26	37361-42	NUT, adjusting screw	42 69 69 - FL, FLH, FX
27	37496-42	NUT, mainshaft/clutch shaft	42 69 69 - FL, FLH
	37496-62	NUT, mainshaft/clutch shaft	65 69 69 - FL, FLH, FX
28	37496-62A	RETAINING RING, oil seal	42 69 69 - FL, FLH
29	37503-42	LOCKWASHER, clutch rod	42 69 69 - FL, FLH, FX
30	37523-25	KEY, clutch	42 69 69 - FL, FLH, FX
31	37548-42	LINING, hub friction disc	42 69 69 - FL, FLH, FX
32	37550-41B	CLUTCH HUB ASSEMBLY	42 69 69 - FL, FLH, FX
33	37566-58	RETAINER, clutch hub roller	58 69 69 - FL, FLH, FX
	37567-41A	RETAINER, clutch hub roller - with rollers	58 69 69 - FL, FLH, FX
34	37574-44	SPRING, hub bearing plate (2)	44 69 69 - FL, FLH, FX
35	37576-42	PLATE, hub bearing	61 69 69 - FL, FLH, FX
36	37581-47	NUT, hub stud (2)	42 69 69 - FL, FLH, FX
37	37583-42	STUD, drive hub (2)	61 69 69 - FL, FLH, FX
38	37585-42	PIN, clutch hub (2)	42 69 69 - FL, FLH, FX
39	37702-65A	CLUTCH SHELL AND SPROCKET, with starter ring gear	65 69 69 - FL, FLH
	37702-70A	CLUTCH SHELL AND SPROCKET, with starter ring gear	70 69 69 - FL, FLH
40	37850-68	SET OF LINED CLUTCH DISCS	68 69 69 - FL, FLH, FX
41	37855-42	SET OF CLUTCH LININGS AND RIVETS	42 69 67 - FL, FLH
42	37860-42	LINING, clutch friction disc (7)	42 69 67 - FL, FLH
43	37871-62	RELEASING DISC	42 69 69 - FL, FLH, FX
44	37930-41	FRICITION DISC (3)	42 69 67 - FL, FLH
	37930-68	FRICITION DISC (3)	68 69 69 - FL, FLH, FX
45	37971-41	DRIVE DISC (steel) (3 or 4)	42 69 69 - FL, FLH, FX
46	38015-41	PRESSURE PLATE	42 69 69 - FL, FLH, FX
47	38025-41	SET OF CLUTCH DISC BUFFERS	42 69 69 - FL, FLH, FX
48	38077-61	CLUTCH SPRING (10)	42 69 67 - FL, FLH

NOTE: Asterisk (*) indicates part is used for latest model year shown to cover.

CLUTCH HAND CONTROL



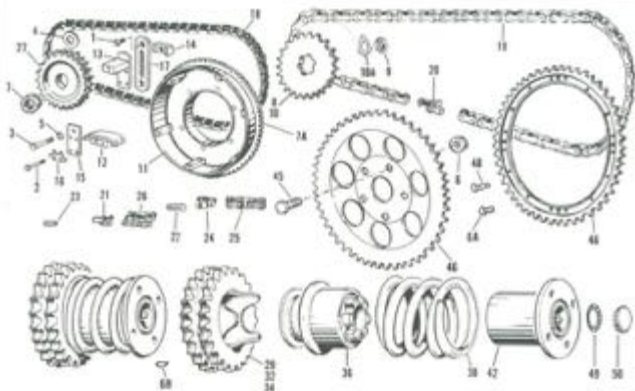
**CLUTCH BOOSTER
1967 & EARLIER**



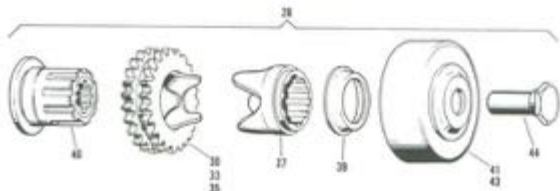
CLUTCH HAND CONTROL AND BOOSTER

INDEX NO.	PART NO.	NAME	USED ON
1	535	COTTER PIN, 1/16 x 5/8	52 to 64 - FL, FLH
2	991	SCREW, No. 10-24 x 1 Phillips flat, Hd. (2)	52 to 64 - FL, FLH
3	1205	SCREW, No. 10-24 x 3/4 Phillips flat, Hd.	72 - FL, FLH; 73 & 72 - FX
4	1374	SCREW, 1/4-28 x 1/4 Phillips flat Hd.	52 to 67 - FL, FLH
5	2585	SCREW, No. 8-32 x 5/16 Phillips pan Hd.	48 to * - FL, FLH, FX
6	2699A	SCREW, No. 10-24 x 1-1/8 Phillips flat, Hd.	72 to * - FL, FLH; 73 to * - FX
7	2751	SCREW, 1/4-28 x 5/16 Phillips flat, Hd. (2)	52 to 67 - FL, FLH
8	6242W	WASHER, 1/4 x 5/16 x 1/32 (2)	52 to 67 - FL, FLH
9	6409B	WASHER, 3/8 x 13/16 x 7/64	52 to 67 - FL, FLH
10	6407W	WASHER, 15/32 x 3/4 x 1/64	52 to 64 - FL, FLH
11	7135	LOCKWASHER, No. 8 int. tooth	68 to * - FL, FLH, FX
12	7620W	NUT, No. 10-24 x 1/8 x 3/8 hex. (2)	52 to 64 - FL, FLH
13	7638	NUT, No. 10-32 x 1/8 x 3/8 hex.	52 to 67 - FL, FLH
14	7676	NUT, 1/4-28 x 2/16 x 7/16 hex.	52 to 67 - FL, FLH
15	7689W	NUT, 1/4-28 x 5/32 x 7/16	43 to 64 - FL, FLH
16	7727	LOCKNUT, 5/16-24	52 to 64 - FL, FLH
17	7744	NUT, 5/16-24 x 3/16 x 1/2 hex. (2)	52 to 67 - FL, FLH
18	7753	NUT, 5/16-24 x 17/64 x 1/2 hex.	52 to 67 - FL, FLH
19	7775	LOCKNUT, 3/8-24 (2)	52 to 67 - FL, FLH
20	7800W	NUT, 3/8-24 x 5/16 x 9/16 hex.	68 to * - FL, FLH, FX
21	9851	GREASE FITTING	52 to 67 - FL, FLH
22	1000K	STRAP, clutch booster cable	52 to 67 - FL, FLH
23	11036	RETAINING RING	65 to * - FL, FLH, FX
24	11037	RETAINING RING (2)	52 to 67 - FL, FLH
24A	33626-72	BRACKET, master housing (handshift only)	72 to * - FL, FLH
25	36916-36	END, clutch lever rod	52 to 67 - FL, FLH
26	36918-52	ROD, clutch lever	52 to 67 - FL, FLH
28	37653-68	RELEASE LEVER	68 to * - FL, FLH, FX
29	38469-32	U-BOLT, booster bracket	52 to 67 - FL, FLH
31	38475-65	BELL CRANK	52 to 67 - FL, FLH
33	38505-52	BEARING (2)	52 to 67 - FL, FLH
36	38626-68	BRACKET, hand lever	68 to 73 - FL, FLH; 73 to 75 - FX
	38626-72	BRACKET, hand lever	72 to * - FL, FLH
	38626-73	BRACKET, hand lever	73 to * - FX
37	38626-68	HAND LEVER AND BRACKET	68 to 73 - FL, FLH; 73 to * - FX
	38626-72	HAND LEVER AND BRACKET, includes pins	72 to * - FL, FLH
38	38618-52	CABLE AND COIL ASSEMBLY (Buckhorn bars)	52 to 67 - FL, FLH
39	38618-68	CABLE AND COIL ASSEMBLY	68 to * - FL, FLH, FX
40	38623-68	CABLE GUIDE PLATE	68 to * - FL, FLH, FX
41	38629-52	CABLE WIRE, with end	52 to 67 - FL, FLH
43	38674-52	ADJUSTING SCREW, control cable	52 to 67 - FL, FLH
44	38712-68	CLAMP, clutch cable (at frame front)	68 to * - FL, FLH, FX
45	45002-41	HAND LEVER AND BRACKET	52 to 64 - FL, FLH
46	45002-65A	HAND LEVER AND BRACKET	65 to 67 - FL, FLH
48	45023-41	BRACKET, hand lever	52 to 64 - FL, FLH
49	45023-65	BRACKET, hand lever	65 to 67 - FL, FLH
50	45024-65A	HAND LEVER, with pins and nylon bushings	65 to * - FL, FLH, FX
51	45026-28	CLAMP, lever bracket	52 to 64 - FL, FLH
52	45026-65A	CLAMP, lever bracket	65 to 73 - FL, FLH; 73 & 72 - FX
53	45021-41	PIVOT SCREW, hand lever	52 to 64 - FL, FLH
54	45021-65	PIVOT PIN, hand lever	65 to 73 - FL, FLH; 73 to * - FX; 74 to * - FL, FLH
55	45023-49	CABLE ANCHOR PIN, hand lever	52 to 64 - FL, FLH
56	45023-65	CABLE ANCHOR PIN, hand lever	65 to Early 68 - FL, FLH
57	45024-68	CABLE ANCHOR PIN, hand lever	Early 68 - FL, FLH
	45024-68	CABLE ANCHOR PIN, hand lever (plastic bushing type)	Late 68 to * - FL, FLH, FX
58	45023-68	BUSHING, hand lever cable anchor pin (plastic) (2)	Late 68 to * - FL, FLH, FX
	45041-65	CABLE ANCHOR PIN, hand lever (used with early lever)	Early 65 - FL, FLH
59	45133-62P	CABLE REPAIR CLAMP (for repair only)	68 to * - FL, FLH, FX
	91705-49	CONTROL COIL, 5/32 I. D. x 1 1/8 O. D. Black vinyl covered - 25 N.	52 to * - FL, FLH, FX

NOTE: Asterisk (*) indicates part is used for latest model year shown on cover.



CHAINS AND SPROCKETS



CHAINS AND SPROCKETS

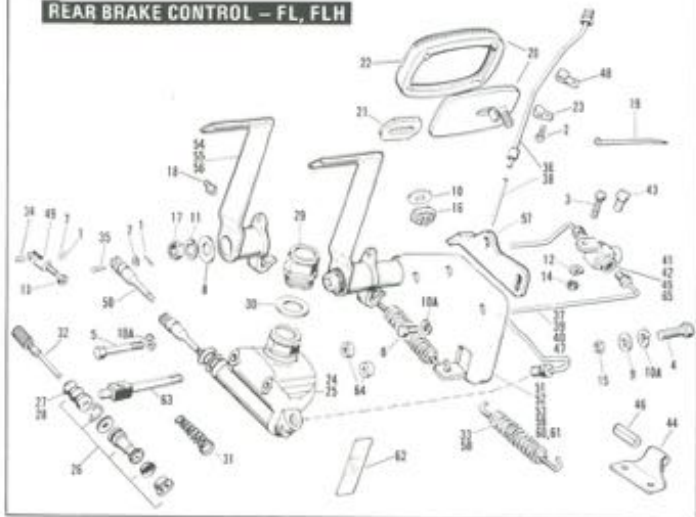
INDEX NO.	PART NO.	NAME	USED ON
1	1783	SCREW, 5/16-18 x 7/8 Positiv Flat disk, hd. (2)	65 to * - FL, FLH, FX
2	3862B	BOLT, 1/4-28 x 1-15/32 hex. hd. (2)	65 to * - FL, FLH, FX
3	4422B	BOLT, 3/8-24 x 2-13/32 hex. hd.	65 to * - FL, FLH, FX
4	6294	SHIM, motor sprocket (no req. for 19 T, sprocket)	55 to 70 - FL, FLH
5	7130	LOCKWASHER, 5/8	65 to * - FL, FLH, FX
6	7625	LOCKNUT, 7/16-20 x 7/32 x 5/8 hex. (5)	73 to * - FL, FLH, FX
6A	8124	RIVET, 3/16 x 5/8 (18)	60 to 66 - FL, FLH
	8122	RIVET, 3/16 x 1 (14)	67 to 72 - FL, FLH, FX
6B	2865-12	KEY, compensating sprocket shaft	54 to 60 - FL, FLH
7	24003-55	NUT, motor sprocket	55 to 73 - FL, FLH, FX
	25715-67	GREASE FITTING, sprocket shaft nut	48 to 64 - FL, FLH
7A	33183-65A	STARTER RING GEAR	65 to * - FL, FLH
8	35203-36	SPROCKET, mainshaft - 22 T.	41 to * - FL, FLH, 71 & 72 - FX
9	35213-36	LOCKNUT, mainshaft sprocket	41 to * - FL, FLH, FX
10	35212-73	SPROCKET, mainshaft - 23 T.	73 to * - FX
10A	35216-36	WASHER, mainshaft sprocket	41 to * - FL, FLH, FX

CHAINS AND SPROCKETS (CONT'D)

INDEX NO.	PART NO.	NAME	USED ON
11	37732-05A	CLUTCH SHELL AND SPROCKET, with starter ring gear	65 to 69 - FL, FLH
	37732-70A	CLUTCH SHELL AND SPROCKET, with starter ring gear	70 to * - FL, FLH, 73 to * - FX
12	39973-05	LINING, PAD AND RIVETS, chain tensioner	65 to * - FL, FLH, FX
	39976-05	PAD ASSEMBLY, chain tensioner	65 to * - FL, FLH, FX
13	39990-05	CHAIN TENSIONER SHOE	65 to * - FL, FLH, FX
14	39990-05	NUT, chain tensioner	65 to * - FL, FLH, FX
15	39990-05	PLATE, chain tensioner	65 to * - FL, FLH, FX
16	39996-05	LOCKWASHER, chain tensioner plate	65 to * - FL, FLH, FX
17	39996-05	ANCHOR PLATE, chain tensioner	65 to * - FL, FLH, FX
18	40007-36A	FRONT CHAIN, sets	41 to * - FL, FLH, FX
	40009-36A	FRONT CHAIN, side cap (new style sideplate)	41 to 70 - FL, FLH
19	40028-15C	REAR CHAIN (Duckworth)	41 to * - FL, FLH, FX
	40029-15C	REAR CHAIN (Diamond)	41 to * - FL, FLH, FX
	40033-15	REAR CHAIN - 25 T. (Duckworth)	41 to * - FL, FLH, FX
	40034-15	REAR CHAIN - 25 T. (Diamond)	41 to * - FL, FLH, FX
20	40050-15	CONNECTING LINK, rear chain (Diamond) (slip fit)	42 to * - FL, FLH, FX
	40050-05	CONNECTING LINK, rear chain (Diamond) (press fit)	66 to * - FL, FLH, FX
	40051-15	CONNECTING LINK, rear chain (Duckworth) (slip fit)	42 to * - FL, FLH, FX
	40051-05	CONNECTING LINK, rear chain (Duckworth) (press fit)	66 to * - FL, FLH, FX
21	40055-39	CONNECTING LINK, front chain (Duckworth)	42 to * - FL, FLH, FX
22	40066-12	SPRING, connecting link, rear chain	42 to * - FL, FLH, FX
23	40069-30	SPRING, connecting link, front chain (Diamond)	42 to * - FL, FLH, FX
	40070-38	SPRING, connecting link, front chain (Duckworth)	42 to * - FL, FLH, FX
24	40091-15	OFFSET REPAIR LINK, rear chain (Diamond)	42 to * - FL, FLH, FX
	40092-15	OFFSET REPAIR LINK, rear chain (Duckworth)	42 to * - FL, FLH, FX
25	40093-15	DOUBLE REPAIR LINK, rear chain (Diamond)	42 to * - FL, FLH, FX
	40094-15	DOUBLE REPAIR LINK, rear chain (Duckworth)	42 to * - FL, FLH, FX
26	40098-39	DOUBLE REPAIR LINK, front chain (Duckworth)	42 to 48 - FL, FLH
27	40206-05	MOTOR SPROCKET - 19 T. (sidecap)	55 to 70 - FL, FLH
	40209-05	MOTOR SPROCKET - 22 T.	55 to 71 - FL, FLH, FX
	40210-05	MOTOR SPROCKET - 23 T.	55 to 71 - FL, FLH, FX
	40211-05	MOTOR SPROCKET - 24 T.	55 to 71 - FL, FLH, FX
28	40270-05A	COMPENSATING SPROCKET KIT - 24 T.	65 to * - FL, FLH, FX
	40271-05A	COMPENSATING SPROCKET KIT - 23 T.	65 to * - FL, FLH, FX
	40272-05A	COMPENSATING SPROCKET KIT - 22 T.	65 to * - FL, FLH, FX
29	40275-05A	COMPENSATING SPROCKET - 24 T.	65 to Early 70 - FL, FLH
30	40275-70	COMPENSATING SPROCKET - 24 T.	Late 70 to * - FL, FLH, FX
31	40280-05A	COMPENSATING SPROCKET - 22 T.	65 to Early 70 - FL, FLH
32	40280-70	COMPENSATING SPROCKET - 22 T.	Late 70 to * - FL, FLH, FX
33	40282-05A	COMPENSATING SPROCKET - 23 T.	65 to Early 70 - FL, FLH
34	40282-70	COMPENSATING SPROCKET - 23 T.	Late 70 to * - FL, FLH, FX
35	40290-05A	SLIDING CAM, with shaft extension	65 to Early 70 - FL, FLH
36	40290-70	SLIDING CAM	Late 70 to * - FL, FLH, FX
37	40300-05A	SPRING, sprocket	65 to Early 70 - FL, FLH
38	40324-70	CUP	Late 70 to * - FL, FLH, FX
39	40375-70	SHAFT EXTENSION	Late 70 to * - FL, FLH, FX
40	40384-70	RETAINER AND COVER ASSEMBLY, with spring washers	Late 70 to * - FL, FLH, FX
41	40385-05	NUT, sprocket shaft	65 to * - FL, FLH, FX
42	40385-70	RETAINER AND COVER ASSEMBLY, without spring washers	Late 70 to * - FL, FLH, FX
43	40390-70	NUT	Late 70 to * - FL, FLH, FX
44	41197-73	BOLT, rear sprocket (S)	73 to * - FL, FLH, FX
45	42470-62	SPROCKET KIT, rear wheel	62 to 66 - FL, FLH
	42470-67	SPROCKET KIT, rear wheel	67 to 72 - FL, FLH, FX
	42470-73	SPROCKET, rear wheel	73 to * - FL, FLH, FX
46	41465-30	DOWEL PIN, rear wheel sprocket	45 to 66 - FL, FLH
	41465-67	DOWEL PIN, rear wheel sprocket	67 to 72 - FL, FLH, FX
48	60440-80	RUBBER CASKET, chain guard	55 to Early 70 - FL, FLH
49	60450-14A	PLUG, chain guard	45 to 64 - FL, FLH

NOTE: Asterisk (*) indicates part is used for latest model year shown on cover.

REAR BRAKE CONTROL - FL, FLH

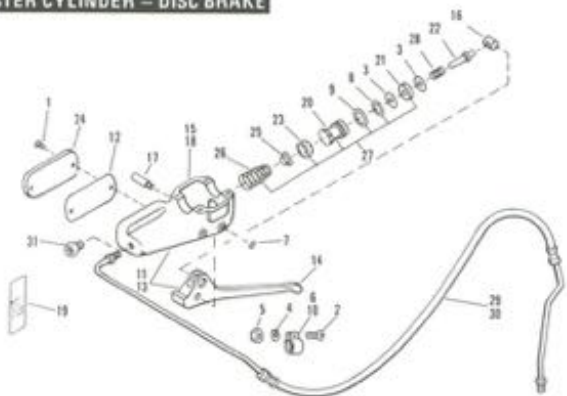


REAR BRAKE CONTROL - FL, FLH

INDEX NO.	PART NO.	NAME	USED ON
1	515	COTTER PIN, 1/16 x 1/2	58 to * - FL, FLH
2	2652	SCREW, No. 10-16 x 3/8 self tapping hex, washer hd. (2)	71 to * - FL, FLH
3	3953W	BOLT, 5/16-24 x 1/2 hex, hd.	58 to 69 - FL, FLH
4	4401W	BOLT, 3/8-24 x 3/4 hex, hd.	70 to * - FL, FLH
5	4421	BOLT, 3/8-24 x 2-1/4 hex, hd.	58 to 72 - FL, FLH
6	4712W	BOLT, 3/8-24 x 3/4 hex, hd.	58 to * - FL, FLH
7	6220W	WASHER, 1/4 x 7/16 x 1/32	58 to * - FL, FLH
8	6334	WASHER, 7/16 x 11/16 x 1/16	58 to * - FL, FLH
9	6446HD	WASHER, 3/8 x 13/16 x 3/32	58 to * - FL, FLH
10	6469HW	WASHER, 7/16 x 11/16 x 3/32	65 to * - FL, FLH
10A	7036	LOCKWASHER, 3/8	58 to * - FL, FLH
11	7039	LOCKWASHER, 7/16	58 to * - FL, FLH
12	7041	LOCKWASHER, 5/16	58 to * - FL, FLH
13	7746W	NUT, 5/16-18 x 1/4 x 1/2 hex.	58 to 69 - FL, FLH
14	7751	NUT, 5/16-24 x 1/4 x 1/2 hex.	58 to * - FL, FLH
15	7809W	NUT, 3/8-24 x 5/16 x 9/16 hex.	70 to * - FL, FLH
16	7825	LOCKNUT, 7/16-20 x 7/16 x 5/8 hex.	65 to * - FL, FLH
17	7847W	JAMNUT, 7/16-20 x 1/4 x 11/16 hex.	58 to * - FL, FLH
18	9651	GREASE FITTING	70 to * - FL, FLH
19	10006	STRAP, brake tube to frame (2)	70 to * - FL, FLH
20	30956-63A	RUBBER PAD, brake pedal	65 to * - FL, FLH
21	30962-67	SPACER, brake pedal pad	67 - FL, FLH
22	30964-67	PAO ONLY, brake pedal	67 to * - FL, FLH
23	36712-68	CLAMP, brake rear hose - small (2)	70 to * - FL, FLH
24	41761-56	MASTER CYLINDER	58 to 72 - FL, FLH
25	41763-73	MASTER CYLINDER	73 to * - FL, FLH
26	41762-58A	REPAIR KIT, master cylinder <i>O-RING High Quality Seal</i>	58 to * - FL, FLH
27	41764-56	RUBBER BOOT, master cylinder	58 to 69 - FL, FLH
28	41764-70	RUBBER BOOT, master cylinder	70 to * - FL, FLH
29	41765-56	FILLER PLUG, master cylinder	58 to * - FL, FLH
30	41766-56	WASHER, filler plug	58 to * - FL, FLH
31	41765-56	MASTER CYLINDER SPRING, with cap, valve, and seal	58 to * - FL, FLH
32	41770-56	PLUNGER, master cylinder	58 to 69 - FL, FLH
33	42825-69	SPRING, foot lever	70 to * - FL, FLH
34	42826-30	PIN, rear brake rod clevis	58 to 69 - FL, FLH
35	42829-70	CLEVIS PIN	70 to * - FL, FLH
36	42301-58B	REAR BRAKE TUBE	58 to 69 - FL, FLH
37	42302-56	FRONT TUBE	58 to 69 - FL, FLH
38	42303-70A	REAR BRAKE TUBE	70 to 72 - FL, FLH
39	42304-70A	FRONT TUBE	70 - FL, FLH
40	42305-71A	FRONT TUBE	71 to * - FL, FLH
41	42306-70	BRAKE LINE TEE (used w/ sidecar)	70 to * - FL, FLH
42	42310-56	BRAKE LINE TEE, with plug & switch	58 to 69 - FL, FLH
43	42311-56	PLUG, rear brake line	58 to 72 - FL, FLH
44	42314-71A	BRACKET, brake front tube	Late 72 to * - FL, FLH
45	42318-72	BRAKE LINE TEE (used w/ sidecar)	Late 72 to * - FL, FLH
46	42319-72	HOSE PAD, brake front tube	Late 72 to * - FL, FLH
47	42321-71	BRAKE TUBE KIT, front rubber mounted	71 to * - FL, FLH
48	42322-70	CLAMP, brake rear hose - large	70 to * - FL, FLH
49	42323-56	CLEVIS, brake lever	58 to 69 - FL, FLH
50	42323-70	PLUNGER, master cylinder	70 to * - FL, FLH
51	42401-58A	FOOT LEVER AND BRACKET	58 to 69 - FL, FLH
52	42401-70	FOOT LEVER AND BRACKET	70 to 72 - FL, FLH
53	42401-73	FOOT LEVER AND BRACKET	73 to * - FL, FLH
54	42402-59	LEVER, foot brake	Late 59 to 69 - FL, FLH
55	42402-70	LEVER, foot brake	70 to 72 - FL, FLH
56	42402-73	LEVER, foot brake	73 to * - FL, FLH
57	42411-70	STOP PLATE, foot brake lever	70 to * - FL, FLH
58	42427-56	SPRING, foot lever	58 to 69 - FL, FLH
59	42480-59	BRACKET ASSEMBLY, only	59 to 69 - FL, FLH (Above 59 FLH - 3456)
60	42480-70	BRACKET ASSEMBLY, only	70 to 72 - FL, FLH
61	42480-73	BRACKET ASSEMBLY, only	73 to * - FL, FLH
62	45044-74	WARNING LABEL, master cylinder	Late 74 to * - FL, FLH
63	50638-58	STUD, master cylinder to footboard	58 to 69 - FL, FLH
64	50669-35	SPACER, master cylinder stud (2)	58 to * - FL, FLH
65	83566-51	BRAKE LINE TEE, only	58 to 69 - FL, FLH

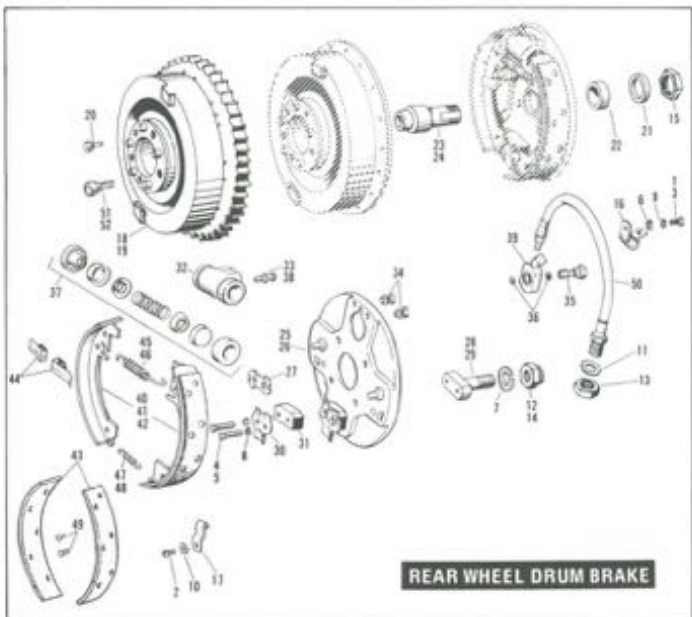
NOTE: Asterisk (*) indicates part is used for latest model year shown on cover.

MASTER CYLINDER - DISC BRAKE



MASTER CYLINDER - DISC BRAKE

INDEX NO.	PART NO.	NAME	USED ON
1	2628	SCREW, No. 6-32 x 7/16 chsk, Hd. (2)	72 to * - FL, FLH; 73 to * - FX
2	2664	SCREW, No. 10-24 x 1/4	73 to * - FL, FLH, FX
3	6817W	WASHER, dust wiper - master cylinder (2)	72 to * - FL, FLH; 73 to * - FX
4	7009	LOCKWASHER, No. 10	72 to * - FL, FLH
5	7620W	NUT, No. 10-24 x 1/8 x 3/8 hex	73 to * - FL, FLH, FX
6	9990W	CLAMP, brake hose (mounted on fork side)	72 - FL, FLH
7	11015	RETAINING RING, hand lever pivot pin	72 to * - FL, FLH; 73 to * - FX
8	11063	RETAINING RING, master cylinder piston	72 to * - FL, FLH; 73 to * - FX
9	11111	O-RING, master cylinder piston	72 to * - FL, FLH; 73 to * - FX
10	36712-68	CLIP, brake hose	72 to * - FL, FLH; 73 to * - FX
11	40010-72	MASTER CYLINDER ASSEMBLY, with hand lever (polished)	73 to * - FX
12	40002-72	GASKET, master cylinder cover	72 to * - FL, FLH; 73 to * - FX
13	40013-72	MASTER CYLINDER ASSEMBLY, with hand lever (black)	72 to * - FL, FLH
14	40016-72	HAND LEVER, front brake	72 to * - FL, FLH; 73 to * - FX
15	40014-72	BODY, master cylinder (black)	72 to * - FL, FLH
16	40011-72	PIN, master cylinder plunger	72 to * - FL, FLH; 73 to * - FX
17	40002-72	PIN, hand lever pivot	72 to * - FL, FLH; 73 to * - FX
18	40017-72	BODY, master cylinder (polished)	73 to * - FX
19	40044-74	WARNING LABEL, master cylinder	Late 74 to * - FL, FLH, FX
20	40053-72	PISTON, master cylinder	72 to * - FL, FLH; 73 to * - FX
21	40054-72	DUST RIFER, master cylinder	72 to * - FL, FLH; 73 to * - FX
22	40055-72	PLUNGER, master cylinder	72 to * - FL, FLH; 73 to * - FX
23	40056-72	PISTON CUP, master cylinder	72 to * - FL, FLH; 73 to * - FX
24	40057-72	COVER, master cylinder	72 to * - FL, FLH; 73 to * - FX
25	40058-72	CUP, piston spring	72 to * - FL, FLH; 73 to * - FX
26	40061-72	SPRING, piston return - master cylinder	72 to * - FL, FLH; 73 to * - FX
27	40063-72	REPAIR NUT, master cylinder	72 to * - FL, FLH, FX
28	40071-72	SPRING, plunger - master cylinder	72 to * - FL, FLH; 73 to * - FX
29	45120-72A	FRONT BRAKE HOSE	72 to * - FL, FLH
30	45121-71	FRONT BRAKE HOSE	73 - FX
31	43609-72	TUBE FITTING, 1/8-2" NPSF	Late 73 to * - FL, FLH, FX



REAR WHEEL DRUM BRAKE

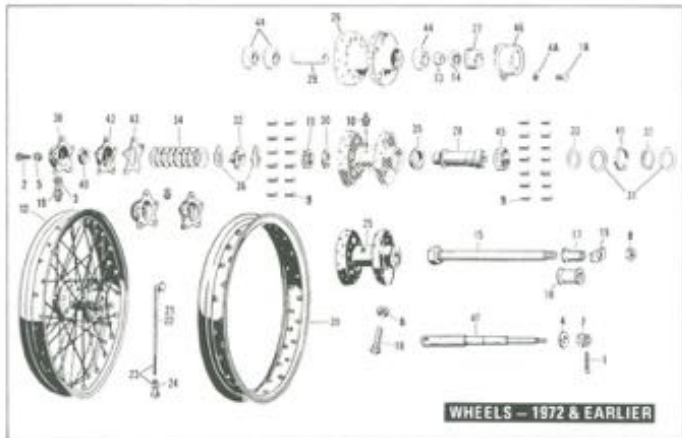
INDEX NO.	PART NO.	NAME	USED ON
1	2592	SCREW, No. 10-24 x 1/2 Posdrive pan hd.	63 to 72 - FL, FLH, FX
2	2657	SCREW, No. 10-24 x 3/8 self-tapping rd. M. (2)	58 to 69 - FL, FLH
3	3720	BOLT, 1/4-20 x 7/16 hex. hd.	58 to 62 - FL, FLH
4	4020W	BOLT, 5/16-24 x 1-1/8 hex. hd.	58 to 62 - FL, FLH
5	4319	BOLT, 3/8-24 x 1 hex. Hd. (2)	63 to 72 - FL, FLH, FX
6	6716	WASHER, No. 10 x 1/2 x 3/64.	58 to 72 - FL, FLH, FX
7	7322	LOCKWASHER, 5/8.	58 to 62 - FL, FLH
8	7926	LOCKWASHER, 3/8.	58 to 72 - FL, FLH, FX
9	7983	LOCKWASHER, No. 10.	58 to 72 - FL, FLH, FX
10	7920	LOCKWASHER, No. 10 external tooth (2)	58 to 65 - FL, FLH
11	7342	LOCKWASHER, 5/8 external tooth	58 to 73 - FL, FLH, FX
12	7980	NUT, 1/8-18 x 1/4 x 3 hex.	58 to 62 - FL, FLH, FX
13	7968	NUT, 1/8-18 x 1/4 x 3 hex.	58 to 72 - FL, FLH
14	7933	LOCKNUT, 5/8-18 x 3/8 x 23/32 hex.	63 to 72 - FL, FLH, FX
15	8095A	NUT, 1-20 x 3/8 x 1-1/8 hex.	58 to 73 - FL, FLH, FX
16	9950	CLAMP, rear brake hose	58 to 72 - FL, FLH, FX
17	10008	CLAMP, rear brake tube (2)	58 to 65 - FL, FLH
18	40400-63	REAR BRAKE DRUM, with sprocket	63 to 66 - FL, FLH
19	40400-67	REAR BRAKE DRUM, with sprocket	67 to 72 - FL, FLH, FX
20	40425-37	DOWEL PIN, brake shell (2)	58 to 72 - FL, FLH, FX
21	40596-30	COLLAR, rear axle sleeve	58 to 72 - FL, FLH, FX
22	40596-43	SPACER, axle plate	63 to 72 - FL, FLH, FX
23	40600-63	AXLE SLEEVE	63 to 66 - FL, FLH
24	40600-67	AXLE SLEEVE	67 to 72 - FL, FLH, FX
25	40650-58	SIDE PLATE ASSEMBLY	58 to 62 - FL, FLH
26	40650-63	SIDE PLATE ASSEMBLY	63 to 72 - FL, FLH, FX
27	40680-67	LOCKPLATE, brake anchor block bolts	Late 67 to 72 - FL, FLH, FX
28	40720-58	ANCHOR STUD	58 to 62 - FL, FLH
29	40720-63	ANCHOR STUD	63 to 72 - FL, FLH, FX
30	40725-63	RETAINER, brake shoe	63 to 72 - FL, FLH, FX
31	40725-63	ANCHOR BLOCK	63 to 72 - FL, FLH, FX
32	40740-63	WHEEL BRAKE CYLINDER	63 to 72 - FL, FLH, FX
33	40741-63	BLEEDER FITTING, wheel brake cylinder	63 to 72 - FL, FLH, FX
34	40742-58	SCREW, with lockwasher, wheel cylinder	58 to 72 - FL, FLH, FX
35	40743-58	BOLT, wheel cylinder	58 to 72 - FL, FLH, FX
36	40744-58	GASKET, cylinder fitting (2)	58 to 72 - FL, FLH, FX
37	40748-63	REPAIR KIT, wheel cylinder	63 to 72 - FL, FLH, FX
38	40749-58	BLEEDER NIPPLE, wheel cylinder	58 to 62 - FL, FLH
39	40750-63	SWIVEL FITTING, brake cylinder	63 to 72 - FL, FLH, FX
40	40801-56A	SET OF BRAKE SHOES AND LININGS (cast iron brake)	Late 58 to 62 - FL, FLH
41	40801-63	SET OF BRAKE SHOES AND LININGS, standard	63 to 72 - FL, FLH, FX
42	40805-63	SET OF BRAKE SHOES AND LININGS - .030 O.S.	63 to 72 - FL, FLH, FX
43	40808-63	SET OF REAR BRAKE LININGS AND RIVETS	63 to 72 - FL, FLH, FX
44	40835-58	RETAINER, brake shoe (2)	58 to 72 - FL, FLH, FX
45	40836-58	RETURN SPRING, brake shoe	58 to 62 - FL, FLH
46	40836-63	RETURN SPRING, brake shoe	63 to 72 - FL, FLH, FX
47	40837-58	SPRING, brake shoe	58 to 62 - FL, FLH
48	40837-63	SPRING, brake shoe	63 to 72 - FL, FLH, FX
49	40841-31	RIVET, brake fitting (18)	63 to 72 - FL, FLH, FX
50	40300-63	REAR BRAKE HOSE	63 to 72 - FL, FLH, FX
51	40520-35A	SCREW, wheel mounting socket, std. - 3/8-20 (pkg. 18)	48 to 72 - FL, FLH, FX
52	40531-35	SCREW, wheel mounting socket - 7/16-20 O.S.	58 to 72 - FL, FLH, FX

NOTE: Asterisk (*) indicates part is used for latest model year shown on cover.

REAR BRAKE CONTROL - FX

INDEX	PART NO.	NAME	USED ON
1	515	COTTER PIN, 1/16 x 1/2	75 to * - FX
2	2652	SCREW, No. 10-36 x 3/8 self tapping hex, washer hd.	75 to Early 72 - FX
3	2956	BOLT, 5/16-24 x 3/16 hex, hd.	75 to Early 72 - FX
4	44348R	BOLT, 3/8-24 x 3/4 hex, hd. (2)	Late 72 to * - FX
5	47336	BOLT, 3/8-24 x 3/4 hex, hd.	75 to Early 72 - FX
6	44028	BOLT, 3/8-24 x 2 3/4 hex, hd.	75 to Early 72 - FX
7	4420	BOLT, 3/8-24 x 2 3/4 hex, hd.	75 to Early 72 - FX
8	29429	SPACER, 3/4 rd.	Late 72 to * - FX
9	5983W	SPACER, 5/8 hd. (2)	Late 72 to * - FX
10	4156	WASHER, 3/16 x 3/8 x 1/32 (brass)	75 to * - FX
11	6220W	WASHER, 1/4 x 7/16 x 1/32	75 to * - FX
12	6229W	WASHER, 5/16 x 1 x 5/8	75 to Early 72 - FX
13	6446H5	WASHER, 3/8 x 23/16 x 1/32	75 to Early 72 - FX
13A	7036	LOCKWASHER, 3/8	75 to Early 72 - FX
14	7045	LOCKWASHER, 5/16	75 to Early 72 - FX
15	7744	NUT, 5/16-24 x 3/16 x 1/2 hex.	75 to * - FX
16	7753	NUT, 5/16-24 x 3/4 x 1/2 hex.	75 to Early 72 - FX
17	7800W	NUT, 3/8-24 x 5/16 x 9/16 hex.	75 to Early 72 - FX
18	9632	GREASE FITTING	75 to Early 72 - FX
19	10006	STRAP, brake tube to frame (2)	75 to Early 72 - FX
20	24652-54	WASHER, brake pedal pivot	Late 72 to * - FX
21	38712-48	CLAMP, front brake tube - small	75 to Early 72 - FX
22	25715-71	GREASE FITTING, rear brake pedal	75 to * - FX
23	42761-58	MASTER CYLINDER	75 & 72 - FX
24	42761-73	MASTER CYLINDER	73 to * - FX
25	42762-58A	REPAIR KIT, master cylinder	75 to * - FX
26	42764-70	RUBBER BOOT, master cylinder	75 to * - FX
27	42765-58	FILLER PLUG, master cylinder	75 to * - FX
28	42766-58	WASHER, filler plug	75 to * - FX
29	42769-58	MASTER CYLINDER SPRING, with cap, valve, and seal	75 to * - FX
30	42855-69	SPRING, foot lever	75 to Early 72 - FX
31	42257-71	BRAKE ROD	75 to Early 72 - FX
32	42257-72	BRAKE ROD	Late 72 to * - FX
33	42269-90	PIN, rear brake rod clevis	75 to * - FX
34	42269-70	CLEVIS PIN	75 to Early 72 - FX
35	42299-72	SUPPORT BRACKET	Late 72 to * - FX
36	42305-70A	REAR BRAKE TUBE	75 & Early 72 - FX
37	42305-71A	FRONT TUBE	75 to Early 72 - FX
38	42305-70	BRAKE LINE TEE	75 to Early 72 - FX
39	47331-58	PLUG, rear brake line	75 to Early 72 - FX
40	42324-71A	BRACKET, brake front tube	Early 72 - FX
41	42325-72	FRONT TUBE	Late 72 - FX
42	42326-72	BRAKE LINE TEE	Late 72 - FX
43	42319-72	HOSE PAD, brake front tube	Early 72 - FX
44	42321-71	BRAKE TUBE KIT, foot (inlet mounted)	75 to Early 72 - FX
45	42327-70	CLAMP, brake front tube - large	75 to Early 72 - FX
47	42330-72	CLEVIS, brake rod	Late 72 to * - FX
48	42333-70	PLUNGER, master cylinder	75 to Early 72 - FX
49	42384-65	RUBBER, brake pedal	75 to * - FX
50	42399-71A	LEVER, foot brake	75 to Early 72 - FX
51	42399-72A	LEVER, foot brake	Late 72 to * - FX
52	42411-70	STOP PLATE, foot brake lever	75 to Early 72 - FX
53	42425-71	SPRING, foot lever	75 to * - FX
54	42436-72	RUBBER WASHER	Late 72 to * - FX
55	42439-72	CLAMP, master cylinder insulator	Late 72 to * - FX
56	42440-72	INSULATOR	Late 72 to * - FX
57	42461-71	SUPPORT, brake lever	75 to Early 72 - FX
58	42466-77	BUSHING AND PLATE ASSEMBLY	75 to Early 72 - FX
59	45044-74	WARNING LABEL, master cylinder	Late 74 to * - FX
60	50668-35	SPACER, master cylinder stud (2)	75 to Early 72 - FX
61	50680-71A	BRACKET, foot lever	Late 72 to * - FX

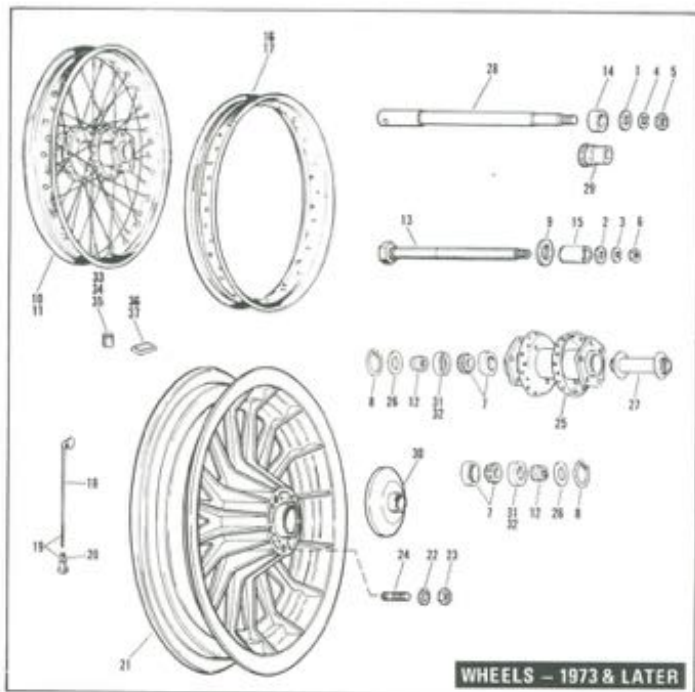
NOTE: Asterisk (*) indicates part is used for latest model year shown on cover.



WHEELS - 1972 & EARLIER

INDEX	PART NO.	NAME	USED ON
1	534	COTTER PIN, 3/32 x 7/8	40 to 72 - FL, FLH
1A	2640	SCREW, No. 10-32 x 1.8 Poppyloc pan hd. (2)	54 to 70 to 72 - FL, FLH
2	2790B	SCREW, 1-4/28 x 7/16 vs. hd. (3)	41 to 66 - FL, FLH
3	6300	WASHER, 5/16 x 7/16 x 1/32	41 to 66 - FL, FLH
4	6500HW	WASHER, 1/2 x 1-1/8 x 3/32	49 to 66 - FL, FLH
4A	7518	LOCKWASHER, No. 10 internal tooth (2)	54 to 70 to 72 - FL, FLH
5	7220	LOCKWASHER, 1-4 external tooth (3)	41 to 66 - FL, FLH
6	7800W	NUT, 3/8-24 x 3/16 x 9/16 hex. (2)	41 to 72 - FL, FLH
7	7754W	CASTLE NUT, 1-0-20	41 to 72 - FL, FLH
8	7980	NUT, 5/8-28 x 7/16 x 7/8 hex.	41 to 72 - FL, FLH
9	9025A	ROLLER (2)	41 to 66 - FL, FLH
10	9614	GREASE FITTING (2)	41 to 66 - FL, FLH
11	24723-30	ROLLER RETAINER	41 to 72 - FL, FLH
12	40961-67	WHEEL ASSEMBLY, 16 in. (black)	67 to 72 - FL, FLH
	40962-67	WHEEL ASSEMBLY, 16 in. (chrome safety rim)	67 to 72 - FL, FLH
13	41196-55	SPACER, wheel hub	67 to 72 - FL, FLH
14	41210-55	OIL SEAL, wheel bearing	67 to 72 - FL, FLH
15	41352-58A	REAR AXLE	58 to 66 - FL, FLH
	41352-67	REAR AXLE	67 to 72 - FL, FLH
16	41576-56	BOLT, axle adjuster (2)	41 to 72 - FL, FLH
17	41196-58	SPACER, rear axle	58 to 66 - FL, FLH
18	41395-67	SPACER, rear axle	67 to 72 - FL, FLH
19	41603-32	LOCKWASHER, rear axle nut	41 to 72 - FL, FLH
20	43006-40A	RM, 16 in. (black)	41 to 72 - FL, FLH
	43006-57	RM, 16 in. (safety rim - black)	57 to 70 - FL, FLH
	43007-40A	RM, front and rear - 16 in. (chrome safety rim)	41 to 72 - FL, FLH
21	43031-36	SPOKE, 18 in. wheel (8)	41 to 63 - FL, FLH
22	43032-40	SPOKE, 16 in. wheel (8)	41 to 72 - FL, FLH
23	43033-40	SPOKE AND NIPPLE SET (16 in. wheels) (8)	41 to 72 - FL, FLH
24	43099-29	SPOKE NIPPLE (8)	41 to 72 - FL, FLH
25	43140-67A	WHEEL HUB	67 to 72 - FL, FLH
27	43142-67	LOCKNUT, wheel bearing (L. H. thread)	67 to 72 - FL, FLH
28	43149-36	SLEEVE, roller bearing	41 to 66 - FL, FLH
29	43149-67	SPACER, wheel bearing	67 to 72 - FL, FLH
30	43152-59	THRUST WASHER, inner	41 to 66 - FL, FLH
31	43154-35	LOCK RING, thrust washer (2)	41 to 66 - FL, FLH
32	43156-35	SLEEVE, thrust washer	41 to 66 - FL, FLH
33	43158-59	THRUST WASHER, roller bearing (brake side)	41 to 66 - FL, FLH
34	43160-35	ADJUSTING SHIM - 002 INCH	41 to 66 - FL, FLH
35	43161-59	COLLAR, hub bearing	41 to 66 - FL, FLH
35A	43162-76	WHEEL HUB KIT	76 to * - FL, FLH
36	43163-35	THRUST WASHER, thick (2 per hub)	41 to 66 - FL, FLH
37	43164-35	RETAINER, cork washer (brake side)	41 to 66 - FL, FLH
38	43166-25A	COVER, cone thrust bearing	41 to 66 - FL, FLH
40	43170-35	WASHER, cork (small)	41 to 66 - FL, FLH
41	43171-35	WASHER, cork (large) (brake side)	41 to 66 - FL, FLH
42	43174-55	THRUST WASHER, wheel hub	55 to 66 - FL, FLH
43	43176-35	CASHET, inner thrust bearing cover	41 to 66 - FL, FLH
44	43177-67	BEARING, wheel hub and brake drum (2 total - 3 rear)	67 to 72 - FL, FLH
45	43178-35	ROLLER RETAINER (brake side)	41 to 66 - FL, FLH
46	43182-70	RETAINER, wheel bearing locknut	54 to 70 to 72 - FL, FLH
47	43175-48	FRONT AXLE	49 to 66 - FL, FLH
	43175-67	FRONT AXLE	67 to 71 - FL, FLH
	43175-72	FRONT AXLE	72 - FL, FLH

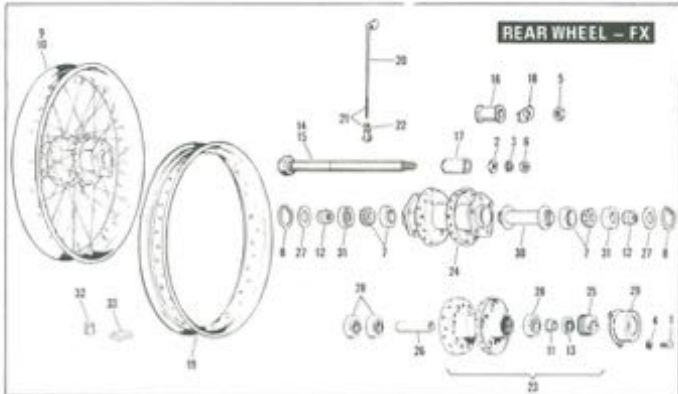
NOTE: Asterisk (*) indicates part is used for latest model year shown on cover.



WHEELS - 1973 & LATER

INDEX NO.	PART NO.	NAME	USED ON
1	6090W	WASHER, 1/2 x 1-3/8 x 3/32	73 to * - FL, FLH
2	6722B	WASHER, 5/8 x 1-3/8 x 3/32	73 to * - FL, FLH
3	7022	LOCKWASHER, 5/8	73 to * - FL, FLH
4	7060	LOCKWASHER, 1/2	73 to * - FL, FLH
5	7045	NUT, 1/2-20 x 7/16 x 3/4 hex.	73 to * - FL, FLH
6	7086	NUT, 5/8-18 x 7/16 x 1 hex.	73 to * - FL, FLH
7	9052	ROLLER BEARING (R)	73 to * - FL, FLH
8	13127	RETAINING RING (R)	73 to * - FL, FLH
9	3280-36	WASHER	73 - FL, FLH
10	4066-73	WHEEL ASSEMBLY, 16 in. (chrome)	73 to * - FL, FLH
11	4063-73	WHEEL ASSEMBLY, 16 in. (black)	73 to * - FL, FLH
12	41136-73	SPACER, bearing - outer (R)	73 to * - FL, FLH
13	4252-73	REAR AXLE	73 to * - FL, FLH
14	42194-73	SPACER, front axle - left	73 to * - FL, FLH
15	4255-73	SPACER, rear axle - left	73 to * - FL, FLH
16	4306-40A	RIM, 16 in. (black)	73 to * - FL, FLH
17	4307-40A	RIM, 16 in. (chrome)	73 to * - FL, FLH
18	4322-40	SPOKE (40)	73 to * - FL, FLH
19	4323-40	SPOKE AND NIPPLE SET (40)	73 to * - FL, FLH
20	4309-29	NIPPLE (40)	73 to * - FL, FLH
21	4345-73	WHEEL ASSEMBLY, cast aluminum - with bearings and seals (2) Includes: 7136 LOCKWASHER, 7/16 internal tooth (5) 7837W NUT, 7/16-20 x 3/8 x 11/16 hex. (5) 4352-73 STUD (5)	73 to * - FL, FLH
22	4340-73	WHEEL HUB, complete (2)	73 to * - FL, FLH
26	4359-73	WASHER (4)	73 to * - FL, FLH
27	4364-73	SPACER, between bearings	73 to * - FL, FLH
28	4367-73	FRONT AXLE	73 to * - FL, FLH
29	4385-72	SPACER, front axle - left	72 - FL, FLH
30	4441-73	HUBCAP, front cast wheel	76 to * - FL, FLH
31	4719-56	OIL SEAL, wheel hub (spoke wheel) (4)	73 to * - FL, FLH
32	4719-72	OIL SEAL, wheel hub (cast wheel) (2)	72 to * - FL, FLH
33	5517B-41	WHEEL WEIGHT, 1/2 oz. - .275" I.D.	41 to * - FL, FLH
34	55183-47	WHEEL WEIGHT, 3/4 oz. - .275" I.D.	41 to * - FL, FLH
35	55182-47	WHEEL WEIGHT, 1 oz. - .275" I.D.	41 to * - FL, FLH
36	55187-73	WHEEL WEIGHT, 1/2 oz. (cast aluminum wheel)	73 to * - FL, FLH
37	55188-73	WHEEL WEIGHT, 3/4 oz. (cast aluminum wheel)	73 to * - FL, FLH

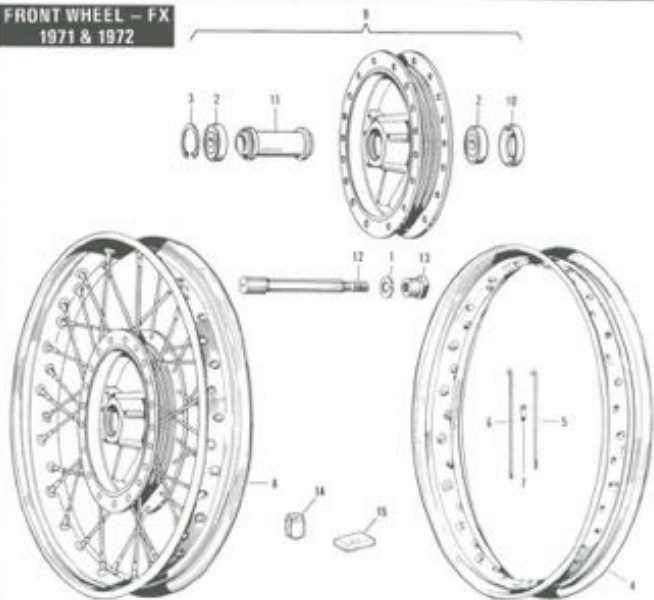
REAR WHEEL - FX



REAR WHEEL - FX

INDEX NO.	PART NO.	NAME	USED ON
1	2660	SCREW, No. 10-24 x 1/8 Pozidriv pan Hd. (2)	71 to * - FX
2	67226	WASHER, 5/8 x 1-1/8 x 3/32	73 to * - FX
3	7032	LOCKWASHER, 5/8	73 to * - FX
4	7118	LOCKWASHER, No. 10 internal tooth (2)	71 to * - FX
5	7940	NUT, 5/8-18 x 7/16 x 7/8 hex.	71 to * - FX
6	7966	NUT, 5/8-18 x 7/16 x 3 hex.	73 to * - FX
7	9052	ROLLER BEARING (2)	73 to * - FX
8	13027	RETAINING RING (2)	73 to * - FX
9	40968-73	WHEEL ASSEMBLY, 16 in. (chrome)	71 to * - FX
10	40963-67	WHEEL ASSEMBLY, 16 in. (black)	71 to 72 - FX
	40962-67	WHEEL ASSEMBLY, 16 in. (chrome)	71 to 72 - FX
11	41196-55	SPACER, wheel hub	71 to 72 - FX
12	41196-73	SPACER, bearing - outer (2)	73 to * - FX
13	41210-55	OIL SEAL, wheel bearing	71 to 72 - FX
14	41552-67	AXLE	71 to 72 - FX
15	41552-73	AXLE	73 to * - FX
16	41595-67	SPACER, axle	71 to 72 - FX
17	41595-73	SPACER, rear axle - RH	73 to * - FX
18	41605-32	LOCKWASHER, axle nut	71 to 72 - FX
19	43006-40A	RIM, 16 in. (black)	71 to * - FX
	43007-40A	RIM, 16 in. (chrome)	71 to * - FX
20	43032-40	SPOKE (40)	71 to * - FX
21	43033-40	SPOKE AND NIPPLE SET	71 to * - FX
22	43099-26	NIPPLE (40)	71 to * - FX
23	43540-67A	WHEEL HUB, complete	71 to 72 - FX
24	43540-73	WHEEL HUB, complete	73 to * - FX
25	43542-67	LOCKNUT, wheel bearing (L. R. thread)	71 to 72 - FX
26	43546-67	SPACER, wheel bearing	71 to 72 - FX
27	43559-73	WASHER (2)	73 to * - FX
28	43577-67	BEARING, wheel hub and brake drum (3)	71 to 72 - FX
29	43592-70	RETAINER, wheel bearing locknut	71 to 72 - FX
30	43644-73	SPACER, between bearings	73 to * - FX
31	47519-58	OIL SEAL (2)	73 to * - FX
32	95578-41	WHEEL WEIGHT, 1/2 oz., - .275" I.D.	71 to * - FX
	95583-47	WHEEL WEIGHT, 3/4 oz., - .275" I.D.	71 to * - FX
	95582-47	WHEEL WEIGHT, 1 oz., - .275" I.D.	73 to * - FX
33	95567-75	WHEEL WEIGHT, 1/2 oz. (flat)	71 to * - FX
	95568-75	WHEEL WEIGHT, 1 oz. (flat)	73 to * - FX

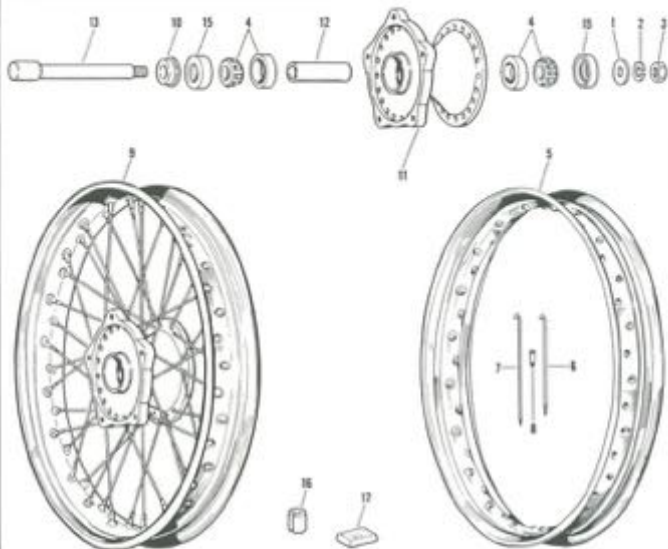
FRONT WHEEL - FX
1971 & 1972



FRONT WHEEL - FX - 1971 & 1972

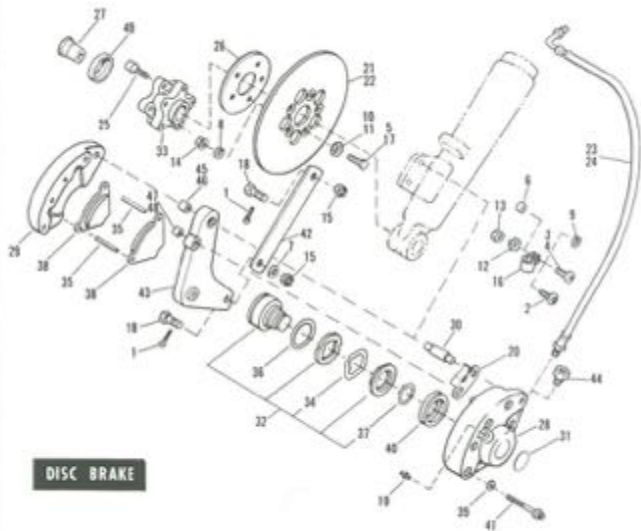
INDEX NO.	PART NO.	NAME	USED ON
1	7087	LOCKWASHER, 9/32	71 & 72 - FX
2	9009	BALL BEARING, shielded (2)	71 & 72 - FX
3	11035	RETAINING RING, front hub	71 & 72 - FX
4	43002-70	RIM, front wheel, 19" (chrome)	71 & 72 - FX
	43010-70	RIM, front wheel, 19" (aluminum)	71 & 72 - FX
5	43024-70	SPOKE, 19" (alt) (short) (20)	71 & 72 - FX
6	43025-70	SPOKE, 19" (alt) (long) (20)	71 & 72 - FX
7	43099-29	NIPPLE (4)	71 & 72 - FX
8	43495-70	FRONT WHEEL ASSEMBLY, with bearings 19" (aluminum)	71 & 72 - FX
	43505-70	FRONT WHEEL ASSEMBLY, with bearings 19" (chrome)	71 & 72 - FX
9	43600-64	HUB AND BRAKE SHELL, with bearings	71 & 72 - FX
10	43636-62	GREASE RETAINER	71 & 72 - FX
11	43740-64	SPACER, front wheel bearing	71 & 72 - FX
12	43873-52	AXLE	71 & 72 - FX
13	43886-52	NUT, front axle	71 & 72 - FX
14	95578-41	WHEEL WEIGHT, 1/2 oz. - .275" I.D.	71 & 72 - FX
	95581-47	WHEEL WEIGHT, 3/4 oz. - .275" I.D.	71 & 72 - FX
	95582-47	WHEEL WEIGHT, 1 oz. - .275" I.D.	71 & 72 - FX
25	95587-15	WHEEL WEIGHT, 1/2 oz. (flat)	71 & 72 - FX
	95588-75	WHEEL WEIGHT, 1 oz. (flat)	71 & 72 - FX

FRONT WHEEL - FX - 1973 & LATER



FRONT WHEEL - FX - 1973 & LATER

INDEX NO.	PART NO.	NAME	USED ON
1	6651	WASHER, 5/8 x 1-5/16 x 3/32	73 to * - FX
2	7622	LOCKWASHER, 5/8	75 to * - FX
3	7813	NUT, 5/8-18 x 5/16 x 15-16 hex.	73 to * - FX
4	9052	ROLLER BEARING (2)	73 to * - FX
5	43018-73	RM, front wheel, 19 in. (chrome)	73 to * - FX
6	43024-73	SPOKE, 19 in. rim (short) (20)	73 to * - FX
7	43025-73	SPOKE, 19 in. rim (long) (20)	73 to * - FX
8	43089-28	SPOKE NIPPLE (20)	71 to * - FX
9	43525-73	FRONT WHEEL ASSEMBLY, with bearings, 19 in. (chrome)	73 - FX
	43526-74	FRONT WHEEL ASSEMBLY, with bearings, 19" (chrome)	74 to * - FX
10	43548-73	SPACER, left bearing	75 - FX
	43548-74	SPACER, left bearing	74 to * - FX
11	43600-73	HUB, with bearings and seals	73 - FX
	43600-74	HUB, with bearings and seals	74 to * - FX
12	43745-73	SPACER, between bearings	73 to * - FX
13	43871-73	AXLE	73 to * - FX
14	47529-72	OIL SEAL (2)	73 to * - FX
16	95576-41	WHEEL WEIGHT, 1/2 oz. - .275" I. D. (round)	75 to * - FX
	95581-47	WHEEL WEIGHT, 3/4 oz. - .275" I. D. (round)	71 to * - FX
	95582-47	WHEEL WEIGHT, 1 oz. - .275" I. D. (round)	71 to * - FX
17	95587-75	WHEEL WEIGHT, 1/2 oz. (flat)	71 to * - FX
	95588-75	WHEEL WEIGHT, 1 oz. (flat)	71 to * - FX

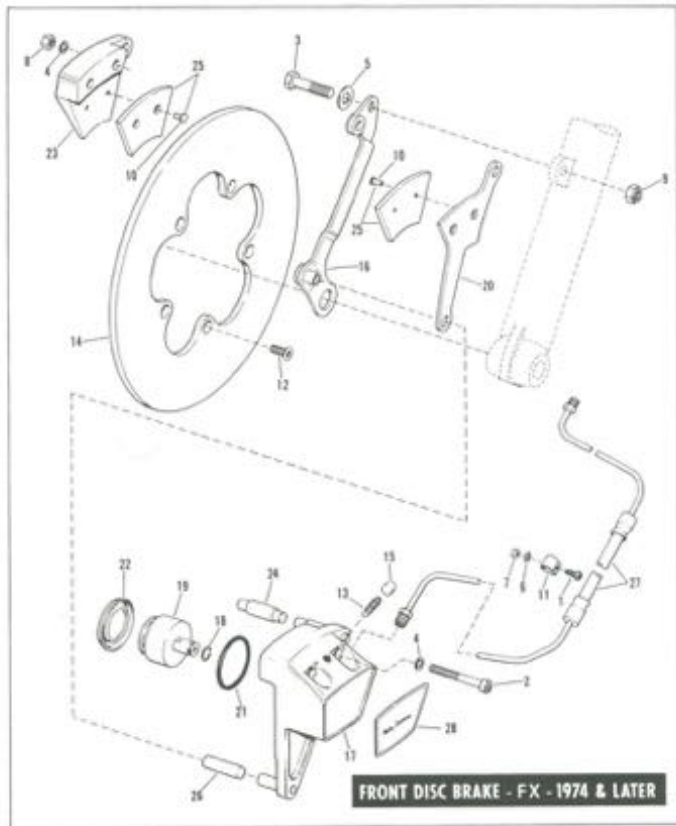


DISC BRAKE

DISC BRAKE

INDEX	PART NO.	NAME	USED ON
1	520W	COTTER PIN, 1/8 x 1-1/4 (2)	73 to * - FL, FLH, FX
2	2652	SCREW, No. 10 x 1/8 self tapping hex. hd. (2)	73 to * - FL, FLH, FX
3	2644	SCREW, No. 10-24 x 7/16 Pop Rivet pan hd.	73 to * - FL, FLH, FX
4	2666	SCREW, No. 10-24 x 9/16 Pop Rivet hd.	72 to * - FL, FLH
5	2879W	BOLT, 3/16-16 x 1 hex. hd. (5)	72 - FL, FLH
6	5389	SPACER, brake hose clamp	Late 72 to * - FL, FLH
7	6718	WASHER, 1/2 x 1-1/4 x 3/32	73 to * - FL, FLH, FX
8	7039	LOCKWASHER, 3/8 (5)	Early 73 - FL, FLH, FX
9	7039	LOCKWASHER, No. 10	72 to * - FL, FLH
10	7130H	LOCKWASHER, 3/8 internal tooth (5)	72 - FL, FLH
11	7149H	LOCKWASHER, 3/8 external tooth (5)	73 to * - FX
12	7320	LOCKWASHER, No. 10 external tooth	73 to * - FX
13	7620W	NUT, No. 10-24 x 1/8 x 3/8 hex.	73 to * - FL, FLH, FX
14	7778	LOCKNUT, 3/8-16 x 7/16 x 9/16 hex. (5)	73 to * - FL, FLH, FX
15	7843	CASTLE NUT, 1/2-13 (2)	73 to * - FL, FLH, FX
16	9872-48	CLIP, brake hose	72 to * - FL, FLH, 73 to * - FX
17	9198-73	BOLT, 3/8-16 x 1, 1/2 hex. hd. (5)	73 to * - FL, FLH, FX
18	9174-73	BOLT, 1/2-13 x 1-1/8 hex. hd. (drilled) (2)	73 to * - FL, FLH, FX
19	9176-58	BLEEDER VALVE, caliper	72 to * - FL, FLH, 73 to * - FX
20	9176-73	CLIP, vibration damper - FRONT BRAKE ONLY	73 to * - FL, FLH, 73 - FX
21	9186-72	DISC, brake (FX rear) (FL, FLH front & rear)	72 to * - FL, FLH, 73 to * - FX
22	9187-73	DISC, brake - front	73 - FX
23	9230-73A	REAR BRAKE HOSE	73 to * - FL, FLH
24	9230-73A	REAR BRAKE HOSE	73 to * - FX
25	9350-35A	SCREW, wheel mounting, 3/8-20 socket hd. (5)	72 - FL, FLH
26	9357-73	PLATE, disc to hub - front	73 - FX
27	9385-72	SPACER, front axle - left	72 - FL, FLH
28	9404-72A	CALIPER ASSEMBLY, complete - FRONT BRAKE ONLY	72 to * - FL, FLH, 73 - FX
29	9405-72	BRAKE CALIPER, outer	72 to * - FL, FLH, 73 to * - FX
30	9406-72	BRAKE CALIPER, inner	72 to * - FL, FLH, 73 to * - FX
31	9407-72	MOUNTING PIN	72 to * - FL, FLH, 73 to * - FX
32	9408-72	LABEL, caliper	72 to * - FL, FLH, 73 to * - FX
33	9409-72	PISTON ASSEMBLY - FRONT BRAKE ONLY	72 to * - FL, FLH
34	9411-72	FLANGE, brake disc	72 - FL, FLH
35	9414-73	CALIPER ASSEMBLY, complete - REAR BRAKE ONLY	73 to * - FL, FLH, FX
36	9423-72	SPRING WASHER, caliper	22 to Early 74 - FL, FLH 73 to Early 74 - FX
37	9424-72	PIN, brake pad (2)	72 to * - FL, FLH, 73 to * - FX
38	9427-72A	O-RING, caliper piston	72 to * - FL, FLH, 73 to * - FX
39	9428-72	RETAINING RING, caliper	72 to Early 73 - FL, FLH Early 73 - FX
40	9429-73	PISTON ASSEMBLY - REAR BRAKE ONLY	73 to * - FL, FLH, FX
41	9429-74	PAD SET	73 to * - FL, FLH, FX
42	9432-72	WASHER, caliper screw (4)	72 to * - FL, FLH, 73 to * - FX
43	9433-72	DUST BOOT, caliper	72 to * - FL, FLH, 73 to * - FX
44	9434-72A	SCREW, 3/8-16 x 3-1/4 (2) pt. (6)	72 to * - FL, FLH, 73 to * - FX
45	9434-73	ANCHOR ARM, caliper bracket	73 to * - FL, FLH, FX
46	9436-73	BRACKET, caliper mounting	73 to * - FL, FLH, FX
47	9518-73	TUBE FITTING, brake outer caliper	73 - FX
48	9521-72	BUSHING, caliper mounting bracket - long	72 to 75 - FL, FLH, 73 to 75 - FX
49	9521-75	BUSHING, caliper mounting bracket - long	76 to * - FL, FLH, FX
50	9522-72	BUSHING, caliper mounting bracket - short	72 to 75 - FL, FLH, 73 to 75 - FX
51	9522-75	BUSHING, caliper mounting bracket - short	76 to * - FL, FLH, FX
52	9523-72	OIL SEAL, flange	72 - FL, FLH

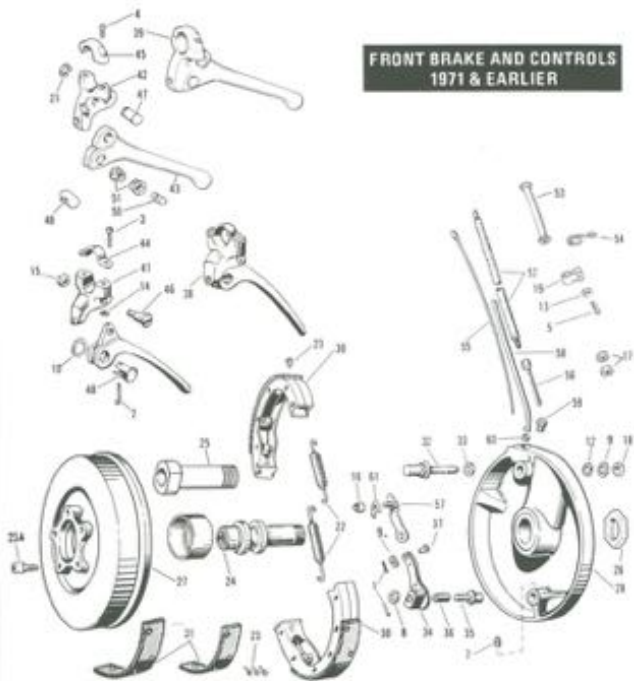
1 DOT 3 1 - long white dot to the left
2 - 2mm dots to the right



FRONT DISC BRAKE - FX - 1974 & LATER

INDEX NO.	PART NO.	NAME	USED ON
1	2644	SCREW, No. 10-24 x 7/32 Positive pan hd.	74 50* - FX
2	3453	SCREW, 5/16-24 x 2-1/4 hex, socket hd. (2)	74 50* - FX
3	4124	BOLT, 3/8-24 x 3-1/2 hex. hd.	74 50* - FX
4	6230	WASHER (4)	74 50* - FX
5	6701	WASHER, 3/8 x 11/16 x 1/16	74 50* - FX
6	7220	LOCKWASHER, No. 10 external tooth	74 50* - FX
7	7620W	NUT, No. 10-24 x 1/8 x 3/8 hex.	74 50* - FX
8	7729	LOCKNUT, 5/16-24 x 1/4 x 1/2 hex. (2)	74 50* - FX
9	7775	LOCKNUT, 3/8-24 x 7/32 x 9/16 hex.	74 50* - FX
10	8479	RIVET (4)	74 50* - FX
11	18713-68	CLIP, brake hose	74 50* - FX
12	41331-74	SCREW, brake disc, 1/8-20 x 5/8 con., socket hd. (5)	74 50* - FX
13	41749-58	BLEEDER VALVE	74 50* - FX
14	41801-74	DISC, brake	74 50* - FX
	44083-74	CALIPER ASSEMBLY, complete	74 50* - FX
15	44271-74	RUBBER CAP, bleeder valve	74 50* - FX
16	44272-74	ANCHOR ARM	74 50* - FX
17	44273-74	OUTER CALIPER	74 50* - FX
18	44274-74	FRICTION RING	74 50* - FX
19	44275-74	PISTON	74 50* - FX
20	44276-74	PLATE, floating lining	74 50* - FX
21	44277-74	O-RING	74 50* - FX
22	44278-74	RUBBER BOOT, piston	74 50* - FX
23	44279-74	INNER CALIPER	74 50* - FX
24	44280-74	ANCHOR PIN, upper	74 50* - FX
25	44281-74	BRAKE LINING KIT, complete (2 linings - 4 rivets)	74 50* - FX
26	44282-74	ANCHOR PIN, lower	74 50* - FX
27	45521-74A	FRONT BRAKE HOSE, complete	74 50* - FX
28	45532-74	LABEL, caliper	74 50* - FX

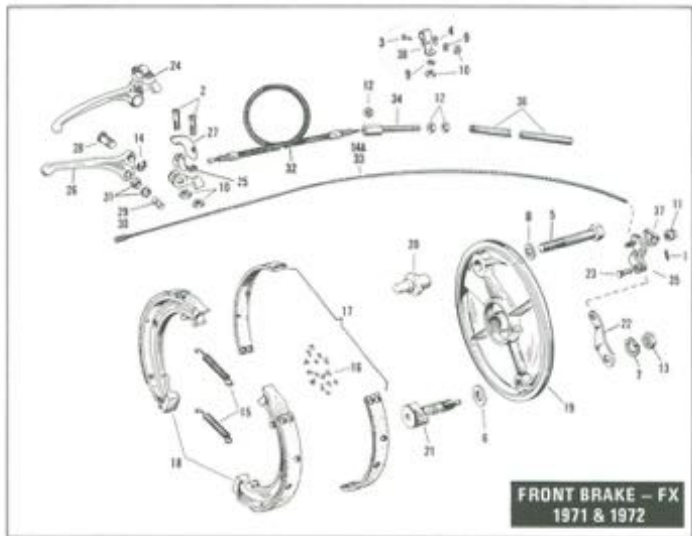
**FRONT BRAKE AND CONTROLS
1971 & EARLIER**



FRONT BRAKE AND CONTROLS - 1971 & EARLIER

INDEX NO.	PART NO.	NAME	USED ON
1	515	COTTER PIN, 1/16 x 1/2	49 to 72 - FL, FLH
2	515	COTTER PIN, 1/16 x 3/8	41 to 64 - FL, FLH
3	993	SCREW, No. 10-24 x 3 Phillips fl., No. (2)	41 to 64 - FL, FLH
4	1205	SCREW, No. 10-24 x 3/4 Phillips fl., No. (2)	65 to 72 - FL, FLH
5	2664	SCREW, No. 10-24 x 7/16 Phillips pan hd.	50 to 72 - FL, FLH
7	3257	SET SCREW, No. 10-32 x 1/16 steel hd.	49 to 72 - FL, FLH
8	6375W	WASHER, 3/8 x 1/16 x 1/32	49 to 72 - FL, FLH
9	6702	WASHER, 5/16 x 1/16 x 1/16	49 to 72 - FL, FLH
10	6807W	WASHER, 1/2 x 1/2 x 3/4 x 1/64	41 to 72 - FL, FLH
12	7039	LOCKWASHER, 7-16	48 to 72 - FL, FLH
13	7220	LOCKWASHER, No. 32 ext. thrd.	50 to 72 - FL, FLH
14	7620W	NUT, No. 10-24 x 1/8 x 3/8 hex, (2)	41 to 72 - FL, FLH
15	7893W	NUT, 1/4-20 x 5/32 x 7/16 hex.	41 to 64 - FL, FLH
16	7725	LOCKNUT, 5/16-24 x 11/16 x 1/2 hex.	49 to 72 - FL, FLH
17	7744	NUT, 5/16-24 x 3/16 x 1/2 hex.	50 to 72 - FL, FLH
18	7817W	NUT, 7/16-20 x 11/16 x 3/8 hex.	41 to 75 - FL, FLH
19	9963	CLIP, front brake cable	50 to 75 - FL, FLH
21	10026	RETAINING RING, hand lever pivot pin	65 to 71 - FL, FLH
22	41835-69	SPRING, brake shoe (2)	49 to 75 - FL, FLH
23	41841-31	RIVET, brake spring (2)	41 to 75 - FL, FLH
23A	43130-35A	SCREW, wheel mounting 3/8-20 socket head (5)	49 to 75 - FL, FLH
24	43882-67	SLEEVE, front axle (brake side)	49 to 66 - FL, FLH
25	43882-67	SLEEVE, front axle (brake side)	57 to 71 - FL, FLH
26	43886-30	NUT, axle sleeve	41 to 75 - FL, FLH
27	44111-67	BRAKE SHELL	67 to 75 - FL, FLH
28	44125-69	SIDE PLATE, polished	69 to 75 - FL, FLH
	44126-69	SIDE PLATE, not polished	69 to 70 - FL, FLH
30	44601-498	SET OF BRAKE SHOES AND LININGS	49 to 71 - FL, FLH
31	44432-54A	SET OF BRAKE LININGS AND RIVETS	54 to 75 - FL, FLH
32	44648-68	PIVOT STUD	49 to 71 - FL, FLH
33	44454-68	WASHER, pivot stud	49 to 75 - FL, FLH
34	44490-65A	CAM LEVER	69 to 70 - FL, FLH
35	44495-68	STUD, brake cam lever	49 to 75 - FL, FLH
36	44505-68	BUSHING, cam lever	49 to 75 - FL, FLH
37	44525-68	CLEVIS PIN, cam lever	48 to 75 - FL, FLH
38	45002-41	HAND LEVER AND BRACKET	41 to 64 - FL, FLH
39	45002-65A	HAND LEVER AND BRACKET	Late 68 to Early 69 - FL, FLH
	45002-69	HAND LEVER AND BRACKET	Late 69 to 72 - FL, FLH
41	45023-41	BRACKET, hand lever	41 to 64 - FL, FLH
42	45023-65	BRACKET, hand lever	65 to Early 69 - FL, FLH
	45023-69	BRACKET, hand lever	Late 69 to 71 - FL, FLH
43	45024-65A	HAND LEVER, with pins and nylon bushings	45 to 71 - FL, FLH
44	45030-28	CLAMP, lever bracket	41 to 64 - FL, FLH
45	45030-65A	CLAMP, lever bracket	65 to 71 - FL, FLH
46	45031-41	PIVOT SCREW, hand lever	41 to 64 - FL, FLH
47	45032-65	PIVOT PIN, hand lever	65 to 71 - FL, FLH
48	45033-49	BUSHING, hand lever	49 to 64 - FL, FLH
49	45033-65	BUSHING, hand lever	65 to Early 68 - FL, FLH
50	45034-68	CABLE ANCHOR PIN, hand lever (used without bushings)	68 to 71 - FL, FLH
	45036-68	CABLE ANCHOR PIN, hand lever (used with plastic bushings)	Late 68 to 71 - FL, FLH
51	45039-68	BUSHING, hand lever cable anchor pin (plastic) (2)	Late 68 to 71 - FL, FLH
	45041-65	BUSHING, hand lever (used with early lever)	Early 65 - FL, FLH
	45040-54	CABLE AND COIL ASSEMBLY	Late 69 to 71 - FL, FLH
52	45064-66	COIL, control cable, long	Early 69 - FL, FLH
53	45090-66	RUBBER SLEEVE, control coil	66 to Early 69 - FL, FLH
54	45092-66	GUIDE, control cable	46 to 71 - FL, FLH; 70 to * - FL, FLH
55	45137-51	CABLE CORE	49 to 71 - FL, FLH
56	45159-00	ADJUSTING SCREW, brake cable	50 to 71 - FL, FLH
57	45175-69	CLEVIS, brake cable	69 to 71 - FL, FLH
58	45202-50A	CABLE TUBE (stanchion) call models - 1968 - straight	49 to 71 - FL, FLH
59	45205-49	FITTING, cable tube	49 to 71 - FL, FLH
60	45207-49	SEAT, cable tube fitting	49 to 71 - FL, FLH
61	45216-49	CLAMP, brake cable clevis	49 to 71 - FL, FLH
	35701-49	CONTROL COIL - 25 m	49 to 71 - FL, FLH

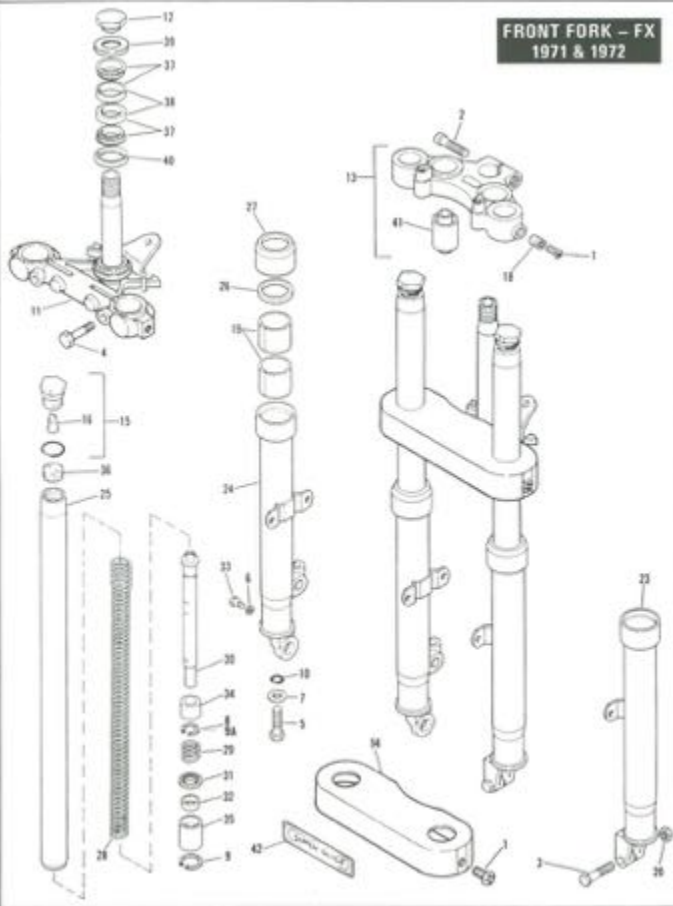
NOTE: Asterisk (*) indicates part is used for latest model year shown on cover.



FRONT BRAKE - FX - 1971 & 1972

INDEX NO.	PART NO.	NAME	USED ON
1	525	COTTER PIN	71 to 72 - FX
2	1205	SCREW, No. 10-24 x 3/4 Pozidriv flat hd. (2)	71 to 72 - FX
3	2592	SCREW, No. 10-24 x 1/2 Pozidriv pan hd.	71 to 72 - FX
4	3960	SCREW, No. 10-24 x 3/8 Pozidriv pan hd.	71 to 72 - FX
5	3423	BOLT, 7-16-20 x 2-3/4 hex. hd.	71 to 72 - FX
6	6077HB	WASHER, 1-16 x 1-1/8 x 3/32	71 to 72 - FX
7	7036	LOCKWASHER, 3/8	71 to 72 - FX
8	7036	LOCKWASHER, 7/16	71 to 72 - FX
9	7069	LOCKWASHER, No. 10 (2)	71 to 72 - FX
10	7620W	NUT, No. 10-24 x 3/8 x 3/8 hex. (2)	71 to 72 - FX
11	7725	LOCKNUT, 1-26-24 x 11/16 x 1/2 hex.	71 to 72 - FX
12	7744	NUT, 1-16-24 x 3/16 x 1/2 hex. (2)	71 to 72 - FX
13	7809W	NUT, 3/8-24 x 5/16 x 9/16 hex.	71 to 72 - FX
14	11216	RETAINING RING, pivot pin	71 to 72 - FX
14A	36430-51	CABLE, only - 54 in. long	Same 71 to 72 - FX
15	43635-69	SPRING, brake shoe (2)	71 to 72 - FX
16	43641-31	RIVET, brake lining (12)	71 to 72 - FX
17	43646-64	SET OF BRAKE LININGS AND RIVETS	71 to 72 - FX
18	43649-64	SET OF BRAKE SHOES AND LININGS	71 to 72 - FX
19	44148-64	SIDE PLATE, brake	71 to 72 - FX
20	44156-64	PIVOT STUD, brake shoe	71 to 72 - FX
21	44264-64	OPERATING SHAFT	71 to 72 - FX
22	44307-52	OPERATING LEVER	71 to 72 - FX
23	44524-51	CLEVIS PIN	71 to 72 - FX
24	45002-69	HAND LEVER AND BRACKET	71 to 72 - FX
25	45025-69	BRACKET, only	71 to 72 - FX
26	45024-65A	HAND LEVER, with pins and nylon bushings	71 to 72 - FX
27	45030-65A	CLAMP, hand lever bracket	71 to 72 - FX
28	45035-61	PIVOT PIN, hand lever	71 to 72 - FX
29	45034-68	ANCHOR PIN, hand lever (used without bushings)	71 to 72 - FX
30	45036-68	ANCHOR PIN, hand lever (used with plastic bushings)	71 to 72 - FX
31	45039-68	BUSHING, hand lever cable anchor pin (plastic) (2)	71 to 72 - FX
32	45081-71	COLL., control cable	71 to 72 - FX
33	45137-51	CABLE, only - 57 in. long	71 to 72 - FX
34	45139-50	ADJUSTING SCREW, control cable	71 to 72 - FX
35	45174-64	CLEVIS, brake cable	71 to 72 - FX
36	45203-52	TUBE, brake cable	71 to 72 - FX
37	45206-47	CLEVIS CLAMP, brake cable	71 to 72 - FX
38	45216-52	CLAMP, cable tube	71 to 72 - FX

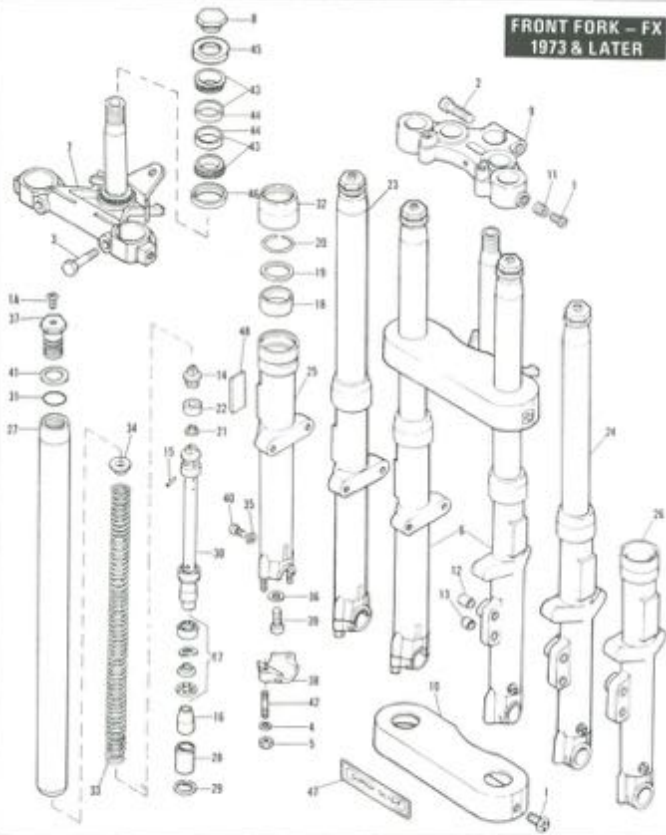
**FRONT FORK - FX
1971 & 1972**



FRONT FORK - FX - 1971 & 1972

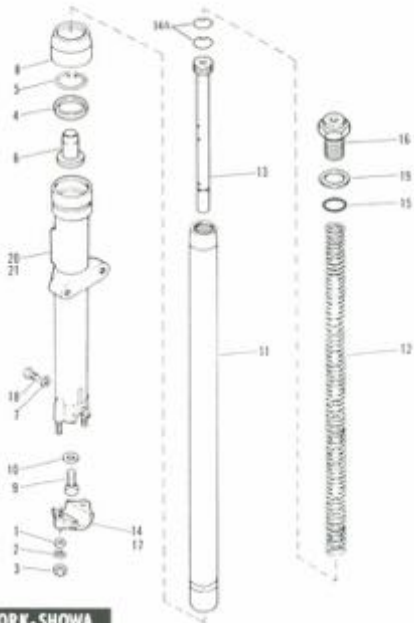
INDEX	PART NO.	PART NO.	NAME	USED ON
1	2823		SCREW, 5/16-18 x 3/8 brass hd. (4)	71 & 72 - FX
2	4371W		SCREW, 3/8-16 x 2-1/8 socket hd.	71 & 72 - FX
3	4421		BOLT, 3/8-24 x 1-3/4 hex. hd. (2)	71 & 72 - FX
4	4374B		BOLT, 3/8-24 x 1-5/8 hex. hd. (2)	71 & 72 - FX
5	4726		BOLT, 7/8-20 x 1-1/2 hex. hd. (2)	71 & 72 - FX
6	6218W		WASHER, 1/4 x 7/16 x 1/32 (2)	71 & 72 - FX
7	6471HB		WASHER, 7/16 x 13/16 x 1/16 (2)	71 & 72 - FX
8	11947		RETAINING RING, damper tube	71 to Early 72 - FX
9	11948		RETAINING RING, slider tube	71 & 72 - FX
1A	21065		RETAINING RING, damper tube	Late 72 - FX
10	11105		O-RING, damper tube - lower (2)	71 & 72 - FX
11	45747-71		STEM AND BRACKET, with bearing and shield	71 & 72 - FX
12	45716-71		NUT, fork stem	71 & 72 - FX
13	45719-42B		UPPER BRACKET, with rubber mounts	71 & 72 - FX
14	45751-71		COVER, lower bracket	71 & 72 - FX
15	45756-59		CAP AND VALVE, complete	71 & 72 - FX
16	45757-49		BREATHER VALVE (2)	71 & 72 - FX
18	45782-72		SCREW INSERT (2)	71 & 72 - FX
19	45818-52		BUSHING, slider tube (2)	71 & 72 - FX
20	45894-52		NUT, axle clamp (2)	71 & 72 - FX
23	45946-71		FORK SLIDER, left	71 & 72 - FX
24	45946-71		FORK SLIDER, right	71 & 72 - FX
25	45953-71		SLIDER TUBE (2)	71 & 72 - FX
26	45975-71		SEAL (2)	71 & 72 - FX
27	46001-71		BOOT (2)	71 & 72 - FX
28	46037-71		FORK SPRING (2)	71 & 72 - FX
29	46063-71		SPRING (2)	71 & 72 - FX
30	46100-71		DAMPER TUBE, slider	71 & 72 - FX
31	46140-71		RETAINING RING (2)	71 & 72 - FX
32	46170-71		WASHER, damper valve	71 & 72 - FX
33	46201-52		DRAIN PLUG, slider (2)	71 & 72 - FX
34	46230-71		PISTON, damper valve	71 & 72 - FX
35	46231-71		BODY, damper valve - lower	71 & 72 - FX
36	46243-64		SPRING RETAINER	71 & 72 - FX
37	46300-60		BEARING, with cup (2)	71 & 72 - FX
38	46315-60		HEAD CUP (2)	71 & 72 - FX
39	46362-68A		DUST SHIELD, head bearing - upper	71 & 72 - FX
40	46365-48		DUST SHIELD, head bearing - lower	71 & 72 - FX
41	54258-49		RUBBER MOUNT, handlebar (2)	71 & 72 - FX
42	54176-72		NAMEPLATE, front fork - "SUPER GLIDE"	72 - FX

**FRONT FORK - FX
1973 & LATER**



FRONT FORK - FX - 1973 & LATER

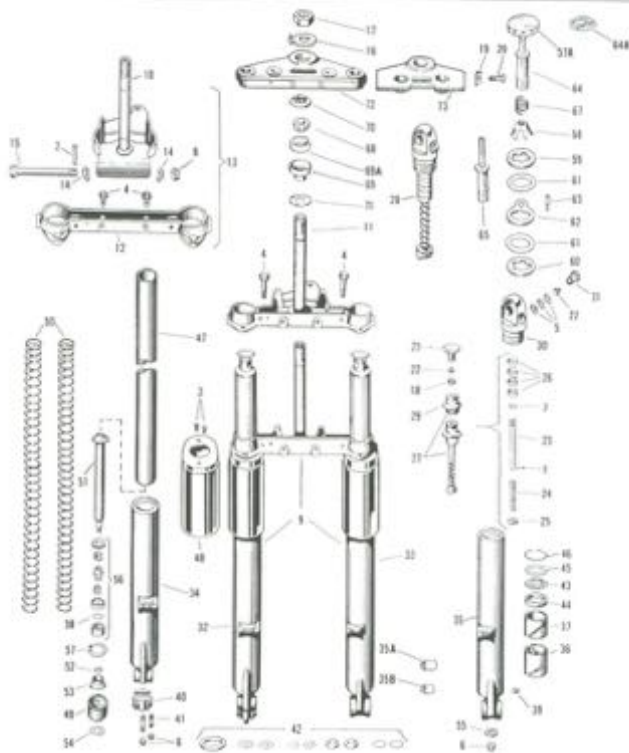
INDEX NO.	PART NO.	NAME	USED ON
1	2823	SCREW, 5/16-18 x 3/8 Phillips Hd. (2)	73 to * - FX
1A	2830	SCREW, 5/16-24 x 3/8 Pos-Drv truss Hd. (2)	74 to * - FX
2	4371W	SCREW, 3/8-16 x 1-5/8 socket Hd.	73 to * - FX
3	4411	BOLT, 3/8-24 x 1-3/4 hex. Hd. (2)	73 to * - FX
4	7041	LOCKWASHER, 5/16 (2)	73 to * - FX
5	7748W	NUT, 5/16-18 x 1/4 x 1/2 hex. (2)	73 to * - FX
6	45527-73	FRONT FORK ASSEMBLY	73 - FX
	45527-74	FRONT FORK ASSEMBLY	74 to * - FX
7	45567-73	STEM AND BRACKET, with bearing and shield	73 to * - FX
8	45718-73	NUT, fork stem	73 to * - FX
9	45736-73	UPPER BRACKET	73 to * - FX
10	45751-73	COVER, fork lower bracket	73 to * - FX
11	45782-73	SCREW INSERT (2)	73 & 74 - FX
12	45825-73	BUSHING, left slider - upper (disc brake)	73 & 74 - FX
13	45822-73	BUSHING, left slider - lower (disc brake)	73 to * - FX
14	45916-73	UPPER STOP (2)	73 to * - FX
15	45917-73	ROLL PIN, upper stop (2)	73 to * - FX
16	45918-73	LOWER STOP (2)	73 to * - FX
17	45926-73	VALVE ASSEMBLY (2)	73 to * - FX
18	45927-73	OIL SEAL, slider (2)	73 to * - FX
19	45928-73	WASHER, oil seal (2)	73 to * - FX
20	45931-73	RETAINING RING, oil seal (2)	73 to * - FX
21	45932-73	RETAINING RING (2)	73 to * - FX
22	45933-73	PISTON, upper (2)	73 to * - FX
25	45974-73	SLIDER, right	73 to * - FX
26	45976-73	SLIDER, left - w/disc brake bushings	73 to * - FX
	45976-74	SLIDER, left	74 to * - FX
27	45977-73	SLIDER TUBE (2)	73 to * - FX
28	45978-73	PISTON (2)	73 to * - FX
29	45979-73	RETAINING RING, piston (2)	73 to * - FX
30	45980-73	DAMPER TUBE, complete (2)	73 to * - FX
31	45982-73	O-RING, slider tube cap (2)	73 to * - FX
32	45983-73	DUST COVER (2)	73 to * - FX
33	45984-73	SPRING (2)	73 to * - FX
34	45985-73	SPRING GUIDE (2)	73 to * - FX
35	45986-73	FIBER WASHER, drain screw (2)	73 to * - FX
36	45993-73	WASHER, damper tube screw (2)	73 to * - FX
37	45993-73	CAP, slider tube (2)	73 - FX
	45993-74	CAP, slider tube (2)	74 to * - FX
38	45994-73	AXLE CAP, slider - right	73 to * - FX
39	45995-73	SCREW, damper tube (2)	73 to * - FX
40	45996-73	DRAIN SCREW, slider (2)	73 to * - FX
41	45997-73	WASHER, slider tube cap (2)	73 to * - FX
42	45998-73	STUD, slider - right (2)	73 to * - FX
43	46300-60	ROLLER BEARING, with cup (2)	73 to * - FX
44	46315-60	HEAD CUP (2)	73 to * - FX
45	46362-38A	DUST SHIELD, head bearing - upper	73 to * - FX
46	46365-68	DUST SHIELD, head bearing - lower	73 to * - FX
47	59176-72	NAMEPLATE, front fork - "SUPER GLIDE"	73 to * - FX
48	59254-72	REFLECTOR, amber (2)	73 to * - FX



FRONT FORK - SHOWA

FRONT FORK – SHOWA

INDEX PART		NAME	USED ON
NO.	NO.		
		NOTE: See previous page for brackets and mounting parts.	
1	4332	WASHER, 5/16 x 1/16 x 1/16 (4)	76 50 * - FX
2	7041	LOCKWASHER, 5/16 (4)	76 50 * - FX
3	7748W	NOT, 5/16-18 x 3/4 x 1/2 (4)	76 50 * - FX
4	45400-75	OIL SEAL, slider (2)	76 50 * - FX
5	45401-75	RETAINING RING, oil seal (2)	76 50 * - FX
6	45402-75	LOWER STOP (2)	76 50 * - FX
7	45403-75	FIBER WASHER, drain screw (2)	76 50 * - FX
8	45404-75	DUST COVER (2)	76 50 * - FX
9	45405-75	SCREW, damper tube (2)	76 50 * - FX
10	45406-75	WASHER, damper tube screw (2)	76 50 * - FX
11	45407-75	SLIDER TUBE (2)	76 50 * - FX
12	45408-75	SPRING (2)	76 50 * - FX
13	45409-75	DAMPER TUBE, complete (2)	76 50 * - FX
14	45410-75	AXLE CAP, slider - left	76 50 * - FX
14A	45412-75	RING, damper tube	76 50 * - FX
15	45962-75	O-RING, slider tube cap (2)	76 50 * - FX
16	45963-74	CAP, slider tube (2)	76 50 * - FX
17	45994-73	AXLE CAP, slider - right	76 50 * - FX
18	45996-73	DRAIN SCREW, slider (2)	76 50 * - FX
19	45997-73	WASHER, slider tube cap (2)	76 50 * - FX
20	46024-75	SLIDER, left - complete	76 50 * - FX
21	46025-75	SLIDER, right - complete	76 50 * - FX



FRONT FORK

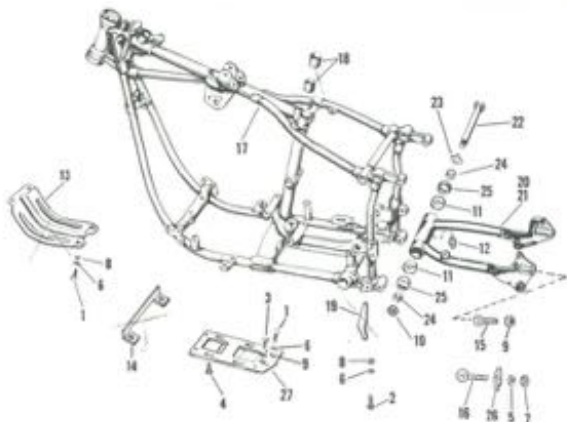
FRONT FORK

INDEX NO.	PART NO.	N A M E	USED ON
1	511	COTTER PIN, 1/16 x 3/4	45 to * - FL, FLH
2	509	COTTER PIN, 1/8 x 1-1/4 (adjustable fork)	56 to * - FL, FLH
3	1303	SCREW, 1-1/2 x 5/8 Pozidriv SS, hd. (2)	40 to * - FL, FLH
4	4729	BOLT, 7/16-20 x 1-1/4 hex, hd. (2)	50 to * - FL, FLH
5	6645	WASHER, 9/16 x 1/4 x 1/2 (adjustable fork) (2)	50 to * - FL, FLH
6	7725	LOCKNUT, 5/16-24 x 11/16 x 1/2 hex.	49 to * - FL, FLH
7	7744	NUT, 5/16-24 x 3/16 x 1/2 hex.	49 to * - FL, FLH
	7753R	NUT, 5/16-24 x 3/16 x 5/16 hex. (adjustable fork)	60 to * - FL, FLH
8	7947R	CASTLE NUT, 5/8-18 x 1-1/2 x 35/16 hex.	50 to * - FL, FLH
9	45436-72	FRONT FORK ASSEMBLY, chrome covers, polished sliders	72 to * - FL, FLH
	45505-43	FRONT FORK ASSEMBLY, chrome covers, polished sliders	69 to 71 - FL, FLH
	45509-72	FRONT FORK ASSEMBLY, chrome covers, polished sliders (adjustable)	72 to * - FL, FLH
	45635-72	FRONT FORK CONVERSION KIT (non-adjustable to adjustable fork sidecar)	72 - FL, FLH
	45645-73	FRONT FORK CONVERSION KIT (non-adjustable to adjustable fork sidecar)	72 to * - FL, FLH
10	45697-50B	FORK STEM, (adjustable fork)	50 to * - FL, FLH
11	45700-60A	FORK STEM AND BRACKET	60 to * - FL, FLH
12	45706-50B	FORK BRACKET (adjustable fork)	50 to * - FL, FLH
13	45709-60A	FORK STEM AND BRACKET (adjustable fork)	60 to * - FL, FLH
14	45710-58	WASHER, fork bracket bolt (2)	58 to * - FL, FLH
15	45713-51A	BOLT, fork bracket	50 to * - FL, FLH
16	45717-63	LOCKWASHER, fork stem nut (not used with steering damper)	60 to * - FL, FLH
17	45718-48	NUT, fork stem	49 to * - FL, FLH
	45718-60	NUT, fork stem (not used with steering damper)	60 to * - FL, FLH
18	45719-48	OIL SEAL, tube (2)	49 to * - FL, FLH
19	45752-50	WASHER, upper bracket bolt (adjustable fork) (2) (used w. sidecar)	50 to 72 - FL, FLH, Late 76 to * - FL, FLH
20	45753-50	BOLT, upper bracket (adjustable fork) (2) (used w. sidecar)	50 to 72 - FL, FLH, Late 76 to * - FL, FLH
21	45754-60	BOLT, upper bracket (2)	60 to * - FL, FLH
22	45757-49	BREATHER VALVE (2)	50 to * - FL, FLH
23	45765-49	STUD, baffle (2)	49 to * - FL, FLH
24	45766-49	SPRING, baffle stud (2)	49 to * - FL, FLH
25	45768-49	CUP, lower baffle (2)	49 to * - FL, FLH
26	45769-49	CUP, upper baffle (2)	49 to * - FL, FLH
27	45775-49	PLUG, slider tube (2)	49 to * - FL, FLH
28	45775-50	PLUG, slider tube (adjustable fork) (2)	50 to * - FL, FLH
29	45776-49	PLUG, fork tube (2)	49 to * - FL, FLH
30	45777-50	PLUG, fork tube (adjustable fork)	50 to * - FL, FLH
31	45778-50	FILLER SCREW, with valve (adjustable fork)	50 to * - FL, FLH
32	45794-60	FORK SIDE, left (polished) (adjustable fork)	69 to 71 - FL, FLH
33	45796-49	FORK SIDE, right (black)	49 to 72 - FL, FLH
	45797-69	FORK SIDE, right (polished)	49 to 72 - FL, FLH
	45798-49	FORK SIDE, left (black)	69 to * - FL, FLH
	45799-69	FORK SIDE, left (polished)	69 to 71 - FL, FLH
34	45820-50A	FORK SLIDER, right - with bushings (polished)	50 to 68 - FL, FLH, 72 to * - FL, FLH
	45820-69	FORK SLIDER, right - with bushings (black)	69 to 70 - FL, FLH
	45821-69	FORK SLIDER, right - with bushings (polished)	69 to 71 - FL, FLH
	45824-69	FORK SLIDER, left - with bushings (polished)	69 to 72 - FL, FLH
	45825-69	FORK SLIDER, left - with bushings (black)	69 to 70 - FL, FLH
	45827-72	FORK SLIDER, left - with bushings (polished)	72 to * - FL, FLH
35A	45821-71	UPPER BUSHING, fork slider - long (disc brake mounting)	72 to * - FL, FLH
35B	45822-71	LOWER BUSHING, fork slider - short (disc brake mounting)	72 to * - FL, FLH
36	45823-49	LOWER BUSHING, fork slider (2)	49 to * - FL, FLH
37	45824-49	UPPER BUSHING, fork slider (2)	49 to * - FL, FLH
38	45826-49	SPHM, slider bushing (oil res.)	49 to * - FL, FLH
39	45830-48	DRAIN PLUG (2)	49 to * - FL, FLH
40	45836-48	BOTTOM CAP, right slider	49 to * - FL, FLH
41	45840-48	STUD, right slider bottom cap (2)	49 to * - FL, FLH
42	45849-49	SET OF OIL SEALS AND GASKETS	49 to * - FL, FLH
43	45850-48	FELT WASHER, upper oil seal (2)	49 to * - FL, FLH
44	45852-48	UPPER OIL SEAL (2)	49 to * - FL, FLH
45	45854-48	WASHER, retaining ring (2)	49 to * - FL, FLH
46	45856-48	RETAINING RING (2)	49 to * - FL, FLH

NOTE: Asterisk (*) indicates part is used for latest model year shown on cover.

FRONT FORK (CONT'D)

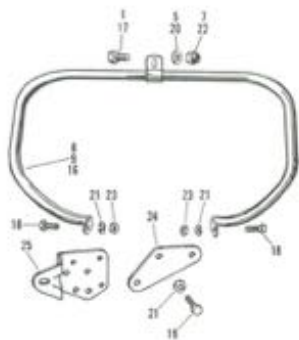
INDEX NO.	PART NO.	NAME	USED ON
47	4595-48	SLIDER TUBE (2)	49 to * - FL, FLH
48	4596-48	COVER, slider (stainless) (2)	49 to * - FL, FLH
	4596-48	COVER, slider (black) (2)	49 to 70 - FL, FLH
49	4597-48	TAPER BUSHING, fork tube	49 to * - FL, FLH
50	4601-48A	SET OF FORK SPRINGS	49 to * - FL, FLH
51	4610-48	DAMPER TUBE (2)	49 to * - FL, FLH
52	4611-48	GASKET, damper tube stud	49 to * - FL, FLH
53	4612-48	LOWER BUSHING, damper tube (2)	49 to * - FL, FLH
54	4612S-48	GASKET, damper tube bushing	49 to * - FL, FLH
55	4613-48	WASHER, damper tube end (2)	49 to * - FL, FLH
56	4633-49	VALVE KIT, damper tube (2) fits damper tubes with square corner - no radius on valve seat	49 to * - FL, FLH
57	4672-48	RETAINING RING, slider tube (lower) (2)	49 to * - FL, FLH
57A	4670-60	STEERING DAMPER, complete	60 to * - FL, FLH
58	4671-48	SPIDER SPRING, steering damper	49 to * - FL, FLH
59	4671B-48	PRESSURE DISC, steering damper	49 to * - FL, FLH
60	4672-48	PRESSURE DISC, lower, damper	49 to * - FL, FLH
61	46727-48	FRICTION WASHER, damper (2)	49 to * - FL, FLH
62	4673-48	ANCHOR PLATE, damper	49 to * - FL, FLH
63	46731-48	PIN, anchor plate	49 to * - FL, FLH
	46732-48	PIN, anchor plate - .005 O.S.	49 to * - FL, FLH
64	4674-60	ADJUSTING SCREW ASSEMBLY	60 to * - FL, FLH
64A	46741-71	LABEL, steering damper knob	60 to * - FL, FLH
65	46743-60	ADJUSTING SCREW, damper	60 to * - FL, FLH
66	46746-52	KNOB, damper	60 to * - FL, FLH
67	46751-48	SPRING, adjusting screw	49 to * - FL, FLH
68	48300-60	HEAD BEARING (2)	60 to * - FL, FLH
69	48311-60	HEAD CUP (2)	60 to * - FL, FLH
69A	48315-60	HEAD CUP (Tinker) (2)	60 to * - FL, FLH
70	48330-48A	CONE SEAT, upper - with guard	49 to * - FL, FLH
71	48365-48	DIRT GUARD, head bearing	49 to * - FL, FLH
72	56121-60A	FORK BRACKET, handlebar (non-adjustable)	60 to 72 - FL, FLH
	56121-73	FORK BRACKET, handlebar (non-adjustable)	73 to * - FL, FLH
73	56129-60A	FORK BRACKET, handlebar (adjustable)	60 to 72 - FL, FLH
	56129-73	FORK BRACKET, handlebar (adjustable)	73 to * - FL, FLH

FRAME AND REAR FORK

FRAME AND REAR FORK

INDEX NO.	PART NO.	NAME	USED ON
1	3914W	BOLT, 5/16-24 x 3/4 hex. hd. (4)	41 to * - FL, FLH, FX
2	4012	BOLT, 5/16-24 x 1-1/8 hex. hd. (2)	41 to 64 - FL, FLH
3	4330W	BOLT, 3/8-24 x 1-1/8 hex. hd. (2)	42 to * - FL, FLH, FX
4	4362	BOLT, 3/8-24 x 1-3/8 hex. hd. (2)	42 to * - FL, FLH, FX
5	6324W	WASHER, 5/16 x 11/16 x 3/32 (2)	73 to * - FL, FLH, FX
6	7041	LOCKWASHER, 5/16 (6)	41 to * - FL, FLH, FX
7	7725	LOCKNUT, 5/16-24 x 1/4 x 1/2 hex. (2)	73 to * - FL, FLH, FX
8	7753	NUT, 5/16-24 x 37/64 x 1/2 hex. (6)	42 to * - FL, FLH, FX
9	7800W	NUT, 3/8-24 (2)	41 to * - FL, FLH, FX
10	7980	NUT, 5/16-18 x 7/16 x 7/8 hex.	58 to 72 - FL, FLH, FX
11	9031	ROLLER BEARING (2)	58 to * - FL, FLH, FX
12	9851	GREASE FITTING, rear fork	58 to * - FL, FLH, FX
13	24490-36	CRANKCASE GUARD	41 to * - FL, FLH, FX
14	54747-65	LOCK STRIP, transmission mounting foot belts	45 to 70 - FL, FLH
15	41576-36	BOLT, axle adjuster (2)	41 to 72 - FL, FLH, FX
16	41576-73	ADJUSTER, rear axle (2)	73 to * - FL, FLH, FX
17	47004-85E	FRAME	65 to * - FL, FLH, FX
18	47084-56	BUSHING, seat post (2)	58 to * - FL, FLH, FX
19	47263-66	GUSSET PLATE, frame (repair part only - welded to left down tube)	58 to Early 68 - FL, FLH
20	47500-SAC	REAR FORK	58 to 72 - FL, FLH, FX
21	47500-73	REAR FORK	73 to * - FL, FLH, FX
22	47530-56	Pivot BOLT, rear fork	58 to * - FL, FLH, FX
23	47533-58	LOCKWASHER, pivot bolt	58 to * - FL, FLH, FX
24	47537-58	SPACER, pivot bearing (2)	58 to * - FL, FLH, FX
25	47539-58	SEAL, pivot bearing (2)	58 to 72 - FL, FLH, FX
26	47554-73	END COVER, rear fork (2)	73 to * - FL, FLH, FX
27	47698-61	TRANSMISSION MOUNTING PLATE	45 to * - FL, FLH, FX

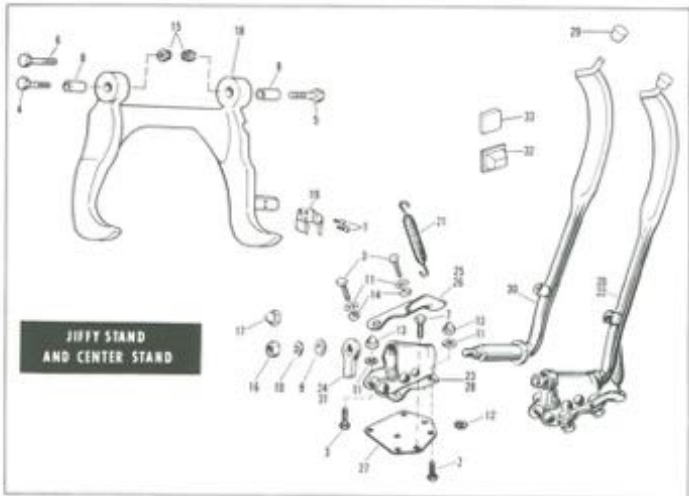
NOTE: Asterisk (*) indicates part is used for latest model year shown on cover.

SAFETY GUARDS



SAFETY GUARDS

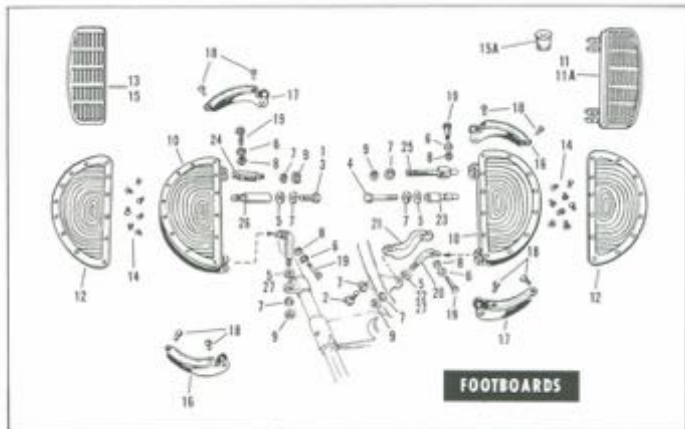
INDEX	PART		USED ON
NO.	NO.	NAME	
1	3996	BOLT, 5/16-24 x 3/4 hex. hd.	58 to * - FL, FLH, FX
2	4432	BOLT, 3/8-24 x 1-3/4 hex. hd. (2)	58 to * - FL, FLH, FX
3	4436R	BOLT, 3/8-24 x 3-1/4 hex. hd.	65 to * - FL, FLH, FX
4	5342B	SPACER, right lower mount (single muffler)	65 to * - FL, FLH, FX
5	6702	WASHER, 5/16 x 1/16 x 1/16	58 to * - FL, FLH, FX
6	7038	LOCKWASHER, 3/8	Late 54 to * - FL, FLH, FX
7	7725	LOCKNUT, 5/16-24 x 11/32 x 1/2 hex.	58 to * - FL, FLH, FX
8	49037-58B	FRONT SAFETY GUARD KIT, black	58 to * - FL, FLH
9	49038-58B	FRONT SAFETY GUARD KIT, chrome	58 to * - FL, FLH
10	49125-67B	REAR SAFETY GUARD KIT, black	Late 67 to * - FL, FLH, FX
11	49127-67B	REAR SAFETY GUARD KIT, chrome	Late 67 to * - FL, FLH, FX
12	49168-67A	REAR SAFETY GUARD, left (chrome)	Late 67 to * - FL, FLH, FX
13	49169-67B	REAR SAFETY GUARD, right (chrome)	Late 67 to * - FL, FLH, FX
14	49170-67A	REAR SAFETY GUARD, left (black)	Late 67 to * - FL, FLH, FX
15	49171-67B	REAR SAFETY GUARD, right (black)	Late 67 to * - FL, FLH, FX
16	49116-72A	FRONT SAFETY GUARD KIT, chrome Includes: 3996 BOLT, 5/16-24 x 7/8 hex. hd. 4319 BOLT, 3/8-24 x 1 hex. hd. (2) 47136 BOLT, 3/8-36 x 3/4 hex. hd. (2) 6702 WASHER, 5/16 x 1/16 x 1/16 7038 LOCKWASHER, 3/8 (4) 7725 LOCKNUT, 5/16-24 x 11/32 x 1/2 hex. 7900B NUT, 3/8-24 x 5/16 x 3/16 hex. (2) 49035-72 PLATE, mounting	Late 72 to * - FX
17			
18			
19			
20			
21			
22			
23			
24			
25	49032-74	SUPPORT, safety guard - left	74 to * - FX



**JIFFY STAND
AND CENTER STAND**

JIFFY STAND AND CENTER STAND

INDEX NO.	PART NO.	N A M E	USED ON
1	2634W	SCREW, No. 8-32 x 1/2 rd. hd. (2)	Late 61 to * - FL, FLH, FX
2	30749H	BOLT, 5/16-24 x 3/4 hex. hd. (2)	74 to * - FX
3	3090	BOLT, 1/16-24 x 7/8 hex. hd. (4) (3-Late 74 & later - FX)	41 to * - FL, FLH, FX
	4301	BOLT, 5/16-24 x 5/8 hex. hd. (2)	Early 74 - FX
4	4434W	BOLT, 3/8-24 x 3/1/4 hex. hd. (used with standard exhaust)	58 to * - FL, FLH, FX
5	4440W	BOLT, 3/8-24 x 4 hex. hd.	58 to * - FL, FLH, FX
6	4452W	BOLT, 3/8-24 x 4-1/2 hex. hd. (used with dual exhaust)	58 to * - FL, FLH
7	4712W	BOLT, 3/8-10 x 3/4 hex. hd. (3)	74 to * - FX
8	5095	BUSHING, center stand (2)	Late 61 to * - FL, FLH, FX
9	6324	WASHER, 7/16 x 15/16 x 1/16	41 to * - FL, FLH, FX
10	7039	LOCKWASHER, 7/16	41 to * - FL, FLH, FX
11	7040	LOCKWASHER, 5/16 (4)	41 to * - FL, FLH, FX
12	7140H	LOCKWASHER, 3/8 external tooth (3)	Late 74 to * - FX
13	7736	ACORN NUT, 5/16-24 (3)	74 to * - FX
14	7751	NUT, 5/16-24 x 1/4 x 1/2 hex. (6)	41 to * - FL, FLH, FX
15	7775	LOCKNUT, 5/8-24 x 7/16 x 9/16 hex.	Late 61 to * - FL, FLH, FX
16	7837W	NUT, 7/16-20 x 3/8 x 11/16 hex.	41 to * - FL, FLH, FX
17	7875	ACORN NUT, 7/16-20	74 to * - FX
18	49405-10A	CENTER STAND ASSEMBLY, with fittings	58 to * - FL, FLH, FX
19	49404-41	CLIP, center stand	58 to * - FL, FLH, FX
20	50023-58B	JIFFY STAND ASSEMBLY	58 to * - FL, FLH, FX
21	50011-30	SPRING, jiffy stand leg	41 to * - FL, FLH, FX
22	50013-74	JIFFY STAND ASSEMBLY (stream)	74 to * - FX
23	50014-74	LEG BRACKET	74 to * - FX
24	50015-74	LEG STOP	74 to * - FX
25	50028-74	BRACKET, spring	74 to * - FX
26	50036-76	BRACKET, spring	71 to 73 - FX; 41 to * - FL, FLH
27	50036-74	REINFORCEMENT PLATE, jiffy stand	Late 74 to * - FX
28	50045-58	LEG BRACKET	71 to 73 - FX; 58 to * - FL, FLH
29	50052-70	TIP, jiffy stand leg	70 to * - FL, FLH, FX
30	50061-36D	LEG, jiffy stand	48 to * - FL, FLH, FX
31	50064-36	LEG STOP	71 to 73 - FX; 41 to * - FL, FLH
32	50102-43	BUNPER, jiffy stand	65 to 69 - FL, FLH
33	50105-72	BUNPER, jiffy stand	70 to * - FL, FLH, FX

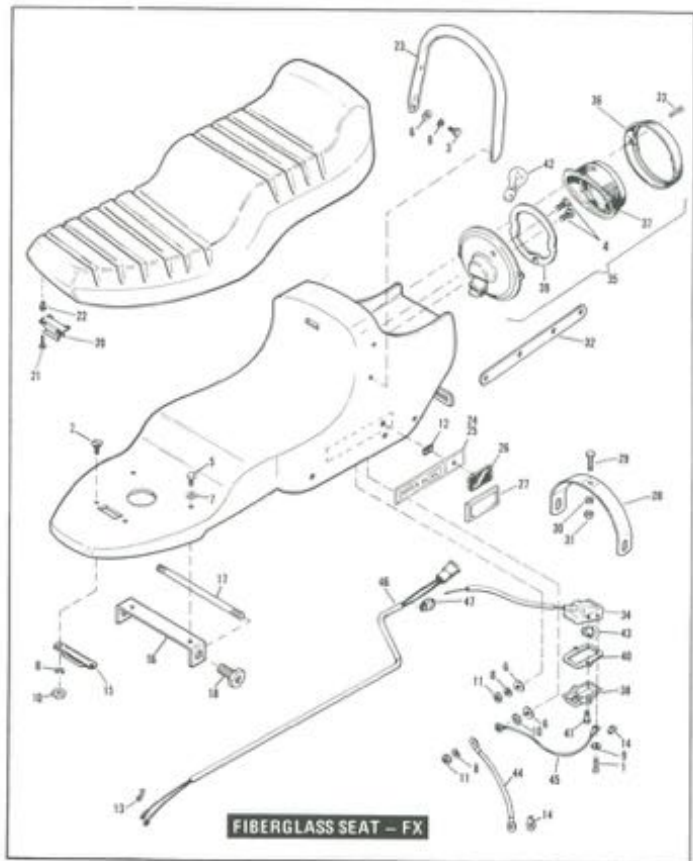


FOOTBOARDS

INDEX NO.	PART NO.	NAME	USED ON
1	4319	BOLT, 3/8-24 x 1 hex., hd. (footshift only)	70 to * - FL, FLH
2	4327W	BOLT, 3/8-24 x 1-1/8 hex., hd.	70 to * - FL, FLH
3	4329HD	BOLT, 3/8-24 x 1-9/16 hex., hd. (handshift only)	70 to * - FL, FLH
4	4421W	BOLT, 3/8-24 x 2-3/4 hex., hd.	70 to * - FL, FLH
5	5449HD	WASHER, 1 1/2 x 1 1/8 x 3/32 (2)	41 to Early 62 - FL, FLH
6	7036	LOCKWASHER, 3/8 (4)	41 to * - FL, FLH
7	7038	LOCKWASHER, 3/8 (5)	41 to * - FL, FLH
8	7051W	NUT, 1/4-28 x 5/32 x 7/16 hex. (4)	41 to * - FL, FLH
9	7051R	JAMNUT, 3/8-24 x 7/16 x 9/16 hex. (3)	41 to 60 - FL, FLH
10	50603-40	FOOTBOARD ASSEMBLY	41 to 65 - FL, FLH
11	50603-66	FOOTBOARD	66 to 74 - FL, FLH
11A	50603-74	SET OF FOOTBOARDS, rubber mount type	66 to * - FL, FLH
12	50614-40	PAD, footboard	41 to 65 - FL, FLH
13	50614-66	PAD, footboard	66 to * - FL, FLH
14	50616-24	RIVET, footboard (2)	41 to 65 - FL, FLH
20	50616-66	PAIR OF PADS, footboards (white)	66 to * - FL, FLH
15A	50620-74	RUBBER MOUNT, footboard (8)	66 to * - FL, FLH
16	50622-40	HINGE, footboard - right front & left rear (2)	41 to * - FL, FLH
17	50623-40	HINGE, footboard - left front & right rear (2)	41 to * - FL, FLH
18	50625-14	RIVET, footboard hinge (8)	41 to * - FL, FLH
19	50635-14	BOLT, hinge (4)	41 to * - FL, FLH
20	50655-56A	STUD AND WASHER, right rear footboard	52 to 60 - FL, FLH
21	50655-70	STUD, right rear	70 to * - FL, FLH
22	50657-70	STUD, right front	70 to * - FL, FLH
24	50658-36	STUD, left front (handshift only) (2)	41 to 60 - FL, FLH
	50658-50	STUD, left front (footshift only)	55 to 60 - FL, FLH
25	50658-58	STUD, right front	52 to 60 - FL, FLH
26	50658-70	STUD, left front (footshift only)	70 to * - FL, FLH
	50659-70	STUD, left front (handshift only)	70 to * - FL, FLH
27	50668-62	WASHER, rear footboard stud (2)	Late 62 to 64 - FL, FLH
	50669-37	SPACER, footboard stud (2)	41 to 60 - FL, FLH

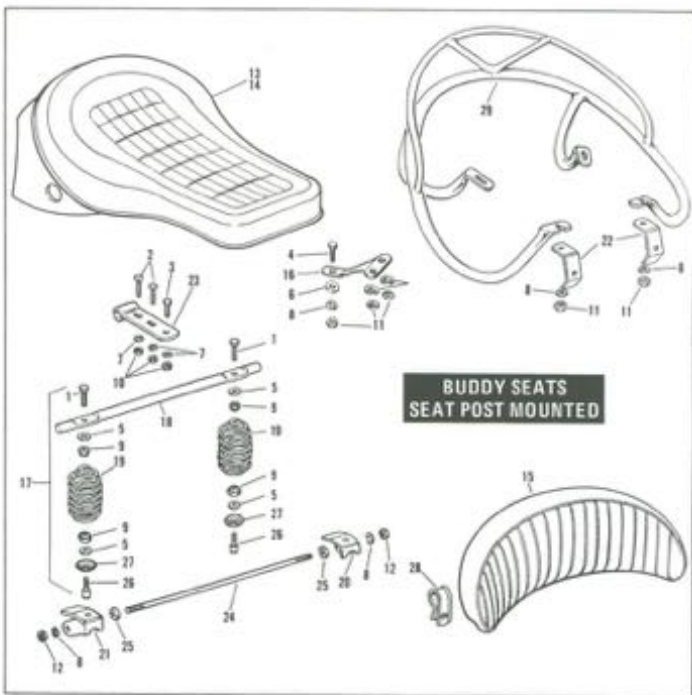
SEAT AND SEAT POST

INDEX NO.	PART NO.	NAME	USED ON
1	3903H	BOLT, 5/16-24 x 1-5/8 hex. hd.	62 to 64 - FL, FLH
1A	4019H	BOLT, 5/16-24 x 1-1/4 hex. hd. (2)	Late 70 to * - FL, FLH
	4309H	BOLT, 3/8-24 x 2 hex. hd.	65 to Early 70 - FL, FLH
	4411	BOLT, 3/8-24 x 1-3/8 hex. hd.	Late 70 to * - FL, FLH
2	6403H	WASHER, 3/8 x 12/16 x 7/64	41 to * - FL, FLH
3	7041	LOCKWASHER, 5/16 (3)	48 to * - FL, FLH
4	7036	LOCKWASHER, 3/8	41 to * - FL, FLH
5	7065	LOCKWASHER, 9/16	41 to * - FL, FLH
6	7744	NUT, 5/16-24 x 1-1/8 x 1/2 hex.	41 to 64 - FL, FLH
7	7753	NUT, 5/16-24 x 17/64 x 1/2 hex.	43 to * - FL, FLH
8	7775	LOCKNUT, seat bar stud, 3/8-24	65 to Early 70 - FL, FLH
	7776H	NUT, 3/8-24	Late 70 to * - FL, FLH
9	7811W	NUT, 3/8-24 x 7/32 x 9/16 hex.	41 to * - FL, FLH
10	8515	RIVET, 3/16 x 1-8 (4)	41 to * - FL, FLH
11	8563	RIVET, 1/4 x 1-4 (3)	41 to * - FL, FLH
12	9811	GREASE FITTING	43 to * - FL, FLH
13	5041A-54	SEAT PLUNGER ASSEMBLY (150 to 200 lbs.)	58 to * - FL, FLH
	5042A-54	SEAT PLUNGER ASSEMBLY (over 200 lbs.)	58 to * - FL, FLH
14	51626-36	PLUNGER, seat post	43 to * - FL, FLH
15	51634-36	LOCKNUT, plunger	41 to * - FL, FLH
16	51643-29	PLUNGER LINK	41 to * - FL, FLH
17	51642-29	RIVET, plunger link	41 to * - FL, FLH
18	51644-21	BUSHING, plunger link	43 to * - FL, FLH
19	51661-36	ROD, seat post	41 to * - FL, FLH
20	51672-25	NUT, seat post rod	41 to * - FL, FLH
21	51674-25	LOCKNUT, seat post rod	41 to * - FL, FLH
22	51770-29	SET OF SEAT POST SPRINGS - std.	41 to * - FL, FLH
23	51771-29	SET OF SEAT POST SPRINGS, heavy	41 to * - FL, FLH
24	51772-31	SET OF SEAT POST SPRINGS, complete	41 to * - FL, FLH
25	51773-31	CUSHION SPRING, with collar	41 to * - FL, FLH
26	51774-31	CUSHION SPRING (2)	41 to * - FL, FLH
27	51775-31	CUSHION SPRING, short	41 to * - FL, FLH
28	51777-30	RECDL SPRING	41 to * - FL, FLH
29	51778-30	AUXILIARY SPRING - 3 in. (2)	41 to * - FL, FLH
30	51780-30	AUXILIARY SPRING - 2-1/2 in.	41 to * - FL, FLH
	51790-29	COLLAR, cushion spring (2) (over 200 lbs.)	41 to * - FL, FLH
31	51791-31	SPACER, seat post spring (2)	41 to * - FL, FLH
32	51795-29	ADJUSTING NUT, seat post spring	41 to * - FL, FLH
33	51900-30	SEAT BAR	42 to * - FL, FLH
34	51911-29	CROSS-BAR	43 to * - FL, FLH
35	51918-29	PIN, seat bar clamp (ing. 10)	43 to * - FL, FLH
36	52103-29	SPRING, clamp pin (ing. 10)	42 to * - FL, FLH
37	51925-37	BUSHING SET, seat bar	43 to 64 - FL, FLH
	51925-65	BUSHING SET, seat bar	65 to * - FL, FLH
38	51968-66	PLASTIC PLUG, seat bar grease fitting hole	43 to * - FL, FLH
39	52004-25	SEAT, standard	42 to * - FL, FLH
	52008-47B	SEAT, deluxe	42 to * - FL, FLH
40	52050-25	CLAMP PLATE, seat bar	43 to * - FL, FLH
41	52096-34	WASHER, front bolt (2)	43 to * - FL, FLH
42	52098-34	BOLT, front	43 to * - FL, FLH
43	52103-31	SPACER, rear stud - upper (4)	43 to * - FL, FLH
44	52104-38	SPACER, rear stud - lower (2)	43 to * - FL, FLH



FIBERGLASS SEAT - FX

INDEX	PART	USED ON	
NO.	NO.		
1	2025	SCREW, No. 6-32 x 5/8 Pozidriv pan hd. (2).....	71 & 72 - FX
2	2016	SCREW, 1/4-20 x 1/2 Pozidriv flat chsk. hd. (2).....	71 & 72 - FX
3	3726	BOLT, 1/4-20 x 1/2 hex. hd. (4).....	71 & 72 - FX
4	3767	BOLT, 1/4-20 x 3/4 hex. hd. (2).....	71 & 72 - FX
5	3974W	BOLT, 5/16-24 x 3/4 hex. hd. (2).....	71 & 72 - FX
6	4253W	WASHER, 1/4 x 3/4 x 1/16 (4).....	71 & 72 - FX
7	4310W	WASHER, 5/16 x 5/8 x 1/16 (2).....	71 & 72 - FX
8	7036	LOCKWASHER, 1/4 (4).....	71 & 72 - FX
9	7220	LOCKWASHER, No. 10 external tooth (2).....	71 & 72 - FX
10	7220W	LOCKWASHER, 1/4 external - external tooth (2).....	71 & 72 - FX
11	7668	NUT, 1/4-20 x 7/32 x 7/16 hex. (4).....	71 & 72 - FX
12	8133W	SPEED NUT (2).....	71 - FX
13	9902	WIRE TERMINAL, ring type - 3/16 dia. hole - #14-16 wire (2).....	71 & 72 - FX
14	9918	WIRE TERMINAL, ring type - 1/4 dia. hole - #14-16 wire (4).....	71 & 72 - FX
15	52025-71	FASTENER TUBE, seat.....	71 & 72 - FX
16	52061-71	BRACKET, seat support.....	71 & 72 - FX
17	52074-71	STUD, seat support.....	71 & 72 - FX
18	52076-71	NUT, seat mounting (2).....	71 & 72 - FX
20	52110-71	SEAT CLIP REPAIR KIT - front.....	71 & 72 - FX
		Includes:	
21	280W	SCREW, No. 6-32 x 5/8 pan hd. (4).....	
22	52119-71	JACK-NUT (4).....	
23	52626-71	HANDRAIL KIT, fiberglass seat.....	71 & 72 - FX
24	59171-71	NAMEPLATE, left.....	71 - FX
25	59172-71	NAMEPLATE, right.....	71 - FX
26	59253-69	REFLECTOR, red (2).....	71 - FX
27	59253-72	REFLECTOR, red (2).....	72 - FX
28	59985-71	LICENSE PLATE BRACKET KIT.....	71 & 72 - FX
		Includes:	
29	3728	BOLT, 1/4-20 x 1/2 hex. hd.....	
30	7036	LOCKWASHER, 1/4.....	
31	7668	NUT, 1/4 x 7/32 x 7/16 hex.....	
32	81331-71	RUBBER MOUNT, fiberglass seat (2).....	71 & 72 - FX
33	67115-59	SCREW (2).....	71 & 72 - FX
34	68005-70	LICENSE LAMP ASSEMBLY.....	71 & 72 - FX
35	68006-70	TAIL LAMP ASSEMBLY.....	71 & 72 - FX
36	68088-70	MOULDING RING.....	71 & 72 - FX
37	68089-70	LENS, rear lamp.....	71 & 72 - FX
38	68158-70	LENS, license lamp.....	71 & 72 - FX
39	68125-70	GASKET, rear lamp.....	71 & 72 - FX
40	68126-70	GASKET, license lamp.....	71 & 72 - FX
41	68131-70	SCREW, license lamp (2).....	71 & 72 - FX
42	68345-64	BULB, tail lamp.....	71 & 72 - FX
43	68346-64	BULB, license lamp.....	71 & 72 - FX
44	70009-71	TAIL & LICENSE LAMP GROUND CABLE.....	71 & 72 - FX
45	70012-70	LICENSE LAMP GROUND CABLE.....	71 & 72 - FX
46	70017-70A	CABLE ASSEMBLY, tail lamp.....	71 & 72 - FX
47	70076-68	WIRE CONNECTOR.....	71 & 72 - FX

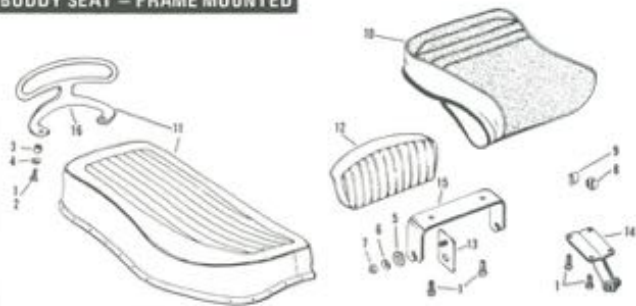


**BUDDY SEATS
SEAT POST MOUNTED**

BUDDY SEATS – SEAT POST MOUNTED

INDEX NO.	PART NO.	NAME	USED ON
1	4410	BOLT, 1/4-28 x 7/8 hex. N6 (2)	65 to * - FL, FLH
2	3953B	BOLT, 5/16-24 x 7/8 hex. N6 (2)	65 to * - FL, FLH
3	3996	BOLT, 1/16-24 x 7/8 hex. N6	58 to * - FL, FLH
4	4337W	BOLT, 3/8-24 x 1-1/4 hex. N6	65 to * - FL, FLH
5	4701	WASHER, 1/4 x 5/8 x 1/16 (4)	65 to * - FL, FLH
6	4701	WASHER, 3/8 x 13/32 x 1/16	41 to * - FL, FLH
7	7040	LOCKWASHER, 5/16 (3)	41 to * - FL, FLH
8	7038	LOCKWASHER, 3/8 (7)	41 to * - FL, FLH
9	7162	LOCKNUT, 1/4-28 x 3/16 x 7/16 hex. (6)	65 to * - FL, FLH
10	7712	NUT, 5/16-24 x 1/4 x 1/2 hex. (3)	41 to * - FL, FLH
11	7859W	JAMNUT, 3/8-24 x 7/32 x 9/16 hex. (5)	41 to * - FL, FLH
12	7909W	NUT, 3/8-24 x 31/64 x 9/16 hex. (2)	65 to * - FL, FLH
	52471-65A	SEAT COVER REPLACEMENT KIT, black & white	Later 65 to * - FL, FLH
	52473-65A	SEAT COVER REPLACEMENT KIT, white	Later 65 to * - FL, FLH
13	52506-65B	SUPER DELUXE BUDDY SEAT, with handrail (white)	58 to * - FL, FLH
14	52507-65C	SUPER DELUXE BUDDY SEAT, with handrail (black)	58 to * - FL, FLH
	52510-65A	BUDDY SEAT FITTINGS	65 to * - FL, FLH
	52514-61C	ECONOMY BUDDY SEAT (black)	61 to * - FL, FLH
15	52519-64A	BACK REST, buddy seat (white)	65 to * - FL, FLH
	52525-62	SHELL, buddy seat (Super Deluxe)	65 to * - FL, FLH
16	52521-56A	FRONT BRACKET	41 to * - FL, FLH
17	52563-68	SPRING YOKE ASSEMBLY	68 to * - FL, FLH
18	52566-65	SUPPORT ROD	65 to * - FL, FLH
19	52575-65	AUXILIARY SPRING (2)	65 to * - FL, FLH
20	52583-68	SUPPORT BRACKET, left	68 to * - FL, FLH
21	52584-68	SUPPORT BRACKET, right	68 to * - FL, FLH
22	52586-68	SPRINGS BRACKET (2)	68 to * - FL, FLH
23	52586-65	BRACKET, spring yoke	65 to * - FL, FLH
24	52602-60	STUD, spring support	65 to * - FL, FLH
25	52605-58	SPACER, support stud (2)	58 to * - FL, FLH
26	52608-68	SHOULDER BOLT	68 to * - FL, FLH
27	52609-65	CUP WASHER, spring mounting (2)	65 to * - FL, FLH
28	52703-64	CLIP FASTENER, back rest (white plastic) (4)	65 to * - FL, FLH
29	91514-58A	HAND RAIL	58 to * - FL, FLH

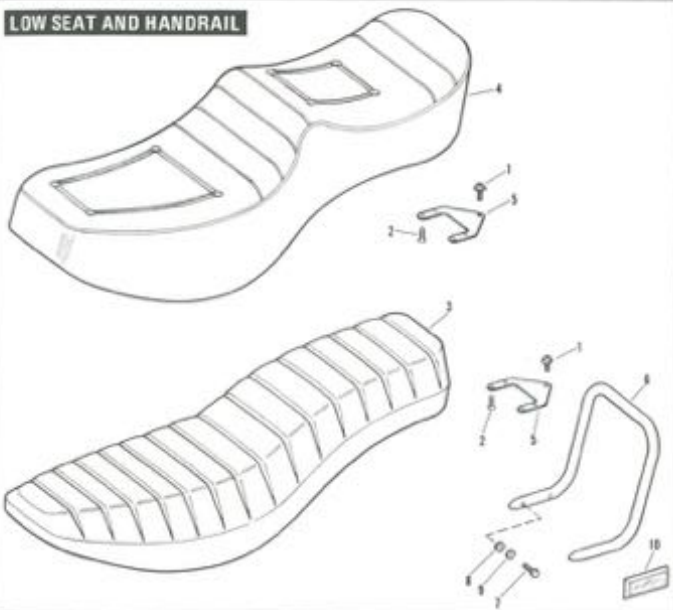
BUDDY SEAT – FRAME MOUNTED



BUDDY SEAT – FRAME MOUNTED

INDEX NO.	PART NO.	NAME	USED ON
1	3970W	BOLT, 5/16-24 x 3/4 hex. (6)	58 to 66 - FL, FLH
2	4730	BOLT, 5/16-24 x 1-3/4 hex. (2)	66 to * - FL, FLH
3	5940	SPACER (2)	66 to * - FL, FLH
4	6361B	WASHER, 5/16 x 1-1/8 x 1/16 (2)	66 to * - FL, FLH
5	6701	WASHER, 3/8 x 1 1/8 x 1/16 (2)	58 to * - FL, FLH
6	7036	LOCKWASHER, 1/8 (2)	58 to * - FL, FLH
7	7800W	NUT, 3/8-24 x 21/64 x 5/16 hex. (2)	58 to * - FL, FLH
8	52465-65	SIDE CLIP, seat cover (33)	58 to * - FL, FLH
9	52466-65	JOINT CLIP, seat cover	65 to * - FL, FLH
10	52467-65A	SEAT COVER REPLACEMENT KIT, black	65 to * - FL, FLH
	52469-65A	SEAT COVER REPLACEMENT KIT, white	65 to * - FL, FLH
11	52466-60C	BUDDY SEAT AND HANDRAIL, black	58 to * - FL, FLH
	52469-60C	BUDDY SEAT AND HANDRAIL, white	58 to * - FL, FLH
	52511-65	BUDDY SEAT FITTINGS	65 to * - FL, FLH
	52524-59	SHELL, buddy seat (Universal Style)	60 to * - FL, FLH
12	52526-66	BACK REST, frame mounted buddy seat	66 to * - FL, FLH
13	52541-59	PLATE, rear bracket (2)	58 to * - FL, FLH
14	52555-65	FRONT BRACKET	65 to * - FL, FLH
15	52554-59	REAR BRACKET	58 to * - FL, FLH
16	52525-59A	HANDRAIL, buddy seat - with fittings	58 to * - FL, FLH

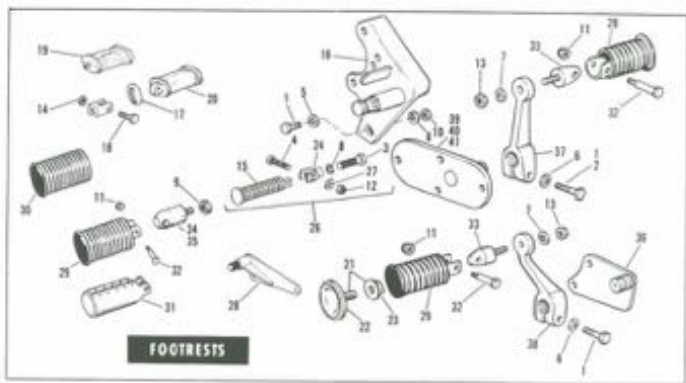
LOW SEAT AND HANDRAIL



LOW SEAT AND HANDRAIL

INDEX NO.	PART NO.	NAME	USED ON
1	215W	SCREW, 1/4-20 x 7/16 Phillips Hd.	72 to * - FX
2	260W	SCREW, No. 6-32 x 3/4 Phillips Hd., (R)	72 to * - FX
3	S202-72	LOW SEAT	72 to 75 - FX
4	S205-75	HI - LG SEAT	76 to * - FX
5	S258-72	BRACKET, SWR - HW	72 to * - FX
6	S264-72	HANDRAIL KIT (steel handle)	Late 72 to * - FX
		Includes:	
7	3126	BOLT, 1/4-20 x 1/2 Hex. Hd. (R)	
8	6702	WASHER, 1/4 x 5/8 x 1/16 (R)	
9	7056	LOCKWASHER, 1/4 (R)	
10	S955-72	REFLECTOR - red (2)	
		LOW SEAT (below parts necessary to install on FL, FLH)	58 to Late 74 - FL, FLH
	2817	SCREW, 1/4-20 x 7/16 Phillips Hd.	
	3692W	BOLT, 1/4-20 x 7/8 Hex. Hd.	
	7230	LOCKWASHER, 1/4 external tooth	
	S202-72	LOW SEAT	
	S2146-73	WELL NUT	

NOTE: Asterisk (*) indicates part is used for latest model year shown on cover.

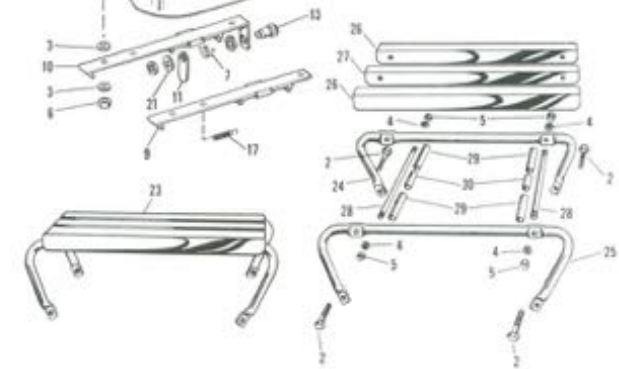


FOOTRESTS

INDEX NO.	PART NO.	NAME	USED ON
1	3625	BOLT, 1/4-28 x 1 hex, hd. (2)	65 to * - FL, FLH
2	3639W	BOLT, 1/4-28 x 1-1/8 hex, hd.	72 to * - FX
3	4081	BOLT, 1/2-20 x 1-3/4 hex, hd. (2)	73 to * - FX
	4411	BOLT, 3/8-24 x 1-3/4 hex, hd. (3)	Late 75 to * - FX
4	4721	BOLT, 3/8-16 x 1-1/2 hex, hd. (2)	Late 72 to * - FX
5	6229W	WASHER, 1/4 x 7/16 x 1/32	73 to * - FX
6	7036	LOCKWASHER, 1/4 (2)	43 to * - FL, FLH, FX
7	7038	LOCKWASHER, 3/8 (2)	65 to * - FL, FLH, FX
8	7068	LOCKWASHER, 1/2 (2)	73 to * - FX
9	7572W	LOCKNUT, 1/2-20 x (3/32 x 3/4 hex.	19 to * - FX
10	7616	NUT, 1/4-28 x 7/32 x 7/16 hex.	73 to * - FX
41	7725	LOCKNUT, 3/16-24 (2)	43 to * - FL, FLH, FX
12	7776	LOCKNUT, 3/8-16 x 7/16 x 9/16 hex. (2)	Late 72 to * - FX
13	7830W	NUT, 3/8-24 x 23/64 x 9/16 hex. (2)	65 to * - FL, FLH, FX
14	7859P	NUT, footrest ball (2)	73 to Late 72 - FX
15	33048-72	FOOTREST, passenger (2)	Late 72 to * - FX
16	50800-73A	FOOTREST BRACKET, right	71 to * - FX
17	50805-61P	PLATE, rear footrest (2)	73 to Late 72 - FX
18	50806-61P	BOLT, rear footrest (2)	73 to Late 72 - FX
19	50807-61P	FOOTREST RUBBER (2)	73 to Late 72 - FX
20	50809-62P	FOOTREST SUPPORT AND RUBBER (2)	73 to Late 72 - FX
21	50860-65	FOOTREST COVER KIT, chrome	43 to * - FL, FLH, FX
22	50861-65	COVER, footrest end (2)	43 to * - FL, FLH, FX
23	50864-65	NUT, footrest end cover (2)	43 to * - FL, FLH, FX
24	50900-72	FOOTREST SUPPORT (2)	Late 72 to * - FX
26	50907-68A	REAR FOOTREST KIT (2)	73 to * - FX
27	50911-72	SPRING WASHER (2)	Late 72 to * - FX
28	50930-75	FOOTREST BRACKET, right	Late 75 to * - FX
29	50938-52	FOOTREST (2)	43 to * - FL, FLH, FX
30	50940-52	RUBBER, footrest (2)	43 to * - FL, FLH, FX
31	50946-52	FOOTREST, only (2)	43 to * - FL, FLH, FX
32	50979-52	BOLT, footrest (2)	43 to * - FL, FLH, FX
33	50973-65	STUD, footrest (2)	65 to * - FL, FLH, FX
	52650-65	SET OF FOOTRESTS AND FITTINGS	65 to * - FL, FLH
34	52681-76A	STUD, footrest (2) (left - FX)	43 to 64 - FL, FLH, 71 to 75 - FX
35	52682-74	STUD, footrest	76 to * - FX
36	52686-65	FOOTREST BRACKET, right	65 to * - FL, FLH
37	52688-65	FOOTREST SUPPORT, left (right - FX)	65 to * - FL, FLH, FX
38	52700-65	FOOTREST SUPPORT, right	65 to * - FL, FLH
39	60513-71	FOOTREST BRACKET, left (no chain cover) (cadmium)	71 to * - FX
40	60513-71	FOOTREST BRACKET, left (on chain cover) (chrome)	71 to 73 - FX
41	60514-65	FOOTREST BRACKET, left (on chain cover)	65 to * - FL, FLH



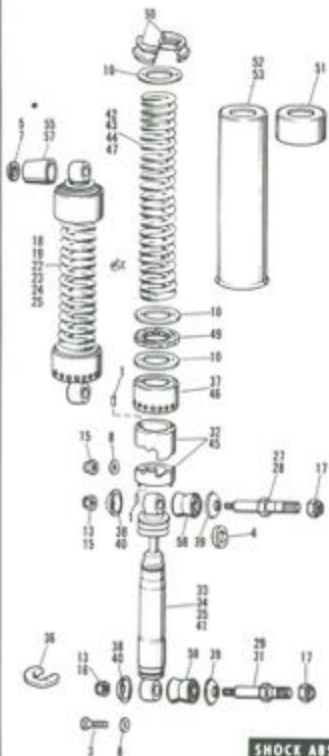
**LUGGAGE CARRIER
AND BOX
(TOUR-PAK)**



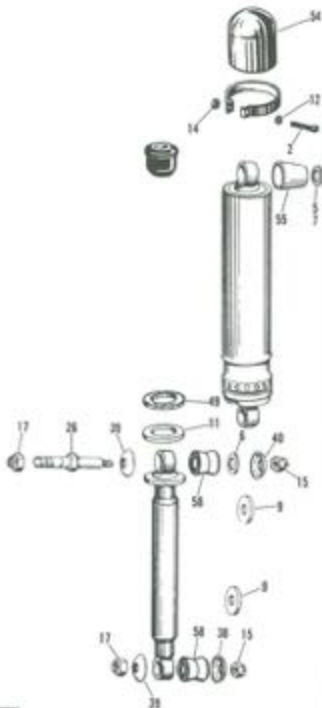
LUGGAGE CARRIER AND BOX (TOUR-PAK)

INDEX NO.	PART NO.	N A M E	U S E D O N
1	3787	BOLT, 1/4-20 x 3/4 hex. hd. (4)	49 to * - FL, FLH
2	4049W	BOLT, 5/16-24 x 1-5/8 hex. hd. (8)	58 to * - FL, FLH
3	4210W	WASHER, 1/4 x 3/8 x 1/16 (32)	49 to * - FL, FLH
4	7041	LOCKWASHER, 5/16	58 to * - FL, FLH
5	7753	NUT, 5/16-24 x 1/4 x 1/2 hex. (6)	49 to * - FL, FLH
6	7646	LOCKNUT, 3/4-20 x 5/16 x 7/16 hex. (4)	49 to * - FL, FLH
7	53291-69	SPRING, luggage box lock	49 to * - FL, FLH
	53300-69	LUGGAGE BOX, complete	49 to * - FL, FLH
9	53303-69	BOX BRACKET, left	49 to * - FL, FLH
10	53304-69	BOX BRACKET, right (locking)	49 to * - FL, FLH
11	53305-69	LOCKING EAR, luggage box to carrier	49 to * - FL, FLH
12	53306-69	LOCKING HOOK, luggage box cover	49 to * - FL, FLH
13	53307-69	LOCK, luggage box (with nuts) (2)	49 to * - FL, FLH
14	53309-69	GASKET, luggage box cover	49 to * - FL, FLH
15	53311-69	NAME PLATE, luggage box ("Tour-Pak")	49 to * - FL, FLH
16	53312-69	HINGE, luggage box cover (lower) (2)	49 to * - FL, FLH
17	53316-69	SPRING, luggage box (2)	49 to * - FL, FLH
LTA	53321-69	COVER, luggage box	49 to * - FL, FLH
18	53325-69	HINGE, luggage box cover (upper) (2)	49 to * - FL, FLH
19	53326-69	LATCH PLATE, luggage box cover	49 to * - FL, FLH
20	53329-69	LATCH, luggage box cover	49 to * - FL, FLH
21	53331-69	WASHER, turner tail (2)	49 to * - FL, FLH
22	53332-69	WASHER, body lock	49 to * - FL, FLH
23	53403-58A	LUGGAGE CARRIER	58 to * - FL, FLH
24	53417-65	LEFT BRACE	65 to * - FL, FLH
25	53418-65	RIGHT BRACE	65 to * - FL, FLH
26	53450-52	OUTER CHANNEL (2)	49 to * - FL, FLH
27	53451-52	CENTER CHANNEL	49 to * - FL, FLH
28	53454-52	CROSS STUD (2)	49 to * - FL, FLH
29	53455-52	SPACER (4)	49 to * - FL, FLH
30	53456-52	SPACER (short) (2)	49 to * - FL, FLH
	53460-74	LUGGAGE CARRIER	74 to * - FX
		Includes:	
	3771	BOLT, 3/8-16 x 2 hex. hd. (2)	
	4720W	BOLT, 3/8-16 x 1-3/4 hex. hd. (2)	
31	71626-62	KEY (specify key no. LL226 to LL450)	49 to * - FL, FLH
32	90864-63	BACKING PLATE (8)	49 to * - FL, FLH
33	90865-63	RIVET (20)	49 to * - FL, FLH

1967 & LATER



1966 & EARLIER

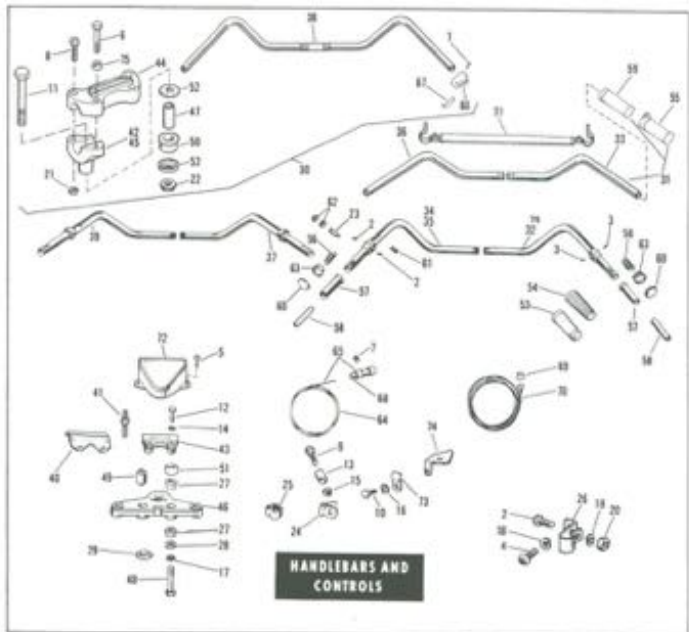


SHOCK ABSORBERS

SHOCK ABSORBERS

INDEX	PART NO.	NAME	USED ON
1	804	ROLL PIN (2 pr. 4)	58 to 72 - FL, FLH
2	991	SCREW, No. 10-24 x 1 Pop Rivet, No. 10	58 to 66 - FL, FLH
3	3956	BOLT, 1/2-20 x 3/4 Hex. Hd. (2)	73 to * - FL, FLH, FX
4	3960W	SPACER, upper stud not used with safety guards	67 to * - FL, FLH, FX
5	4279W	WASHER, 3/8 x 3/8 x 3/16 (2)	Late 70 to * - FL, FLH, FX
6	6436	WASHER, 3/8 x 3/8 x 5/64 (4)	58 to 64 - FL, FLH
7	6569W	WASHER, 1/2 x 1/4 x 3/32 (2)	65 to Early 70 - FL, FLH
8	6718	WASHER, 1/2 x 1 x 3/32 (4)	73 to * - FL, FLH, FX
9	6720W	WASHER, 5/8 x 3/4 x 3/32 (4)	58 to 64 - FL, FLH
10	6920W	WASHER, dirt seal (shiftd) (2)	67 to * - FL, FLH, FX
11	6921W	WASHER, 1-5/8 x 2-1/2 x 3/32 (3)	58 to 66 - FL, FLH
12	7049	LOCKWASHER, No. 10 (2)	58 to 64 - FL, FLH
13	7172W	LOCKNUT, 1/2-20 x 19/32 x 3/4 Hex. (2)	67 to Early 70 - FL, FLH
14	7620W	NUT, No. 10-24 x 1.8 x 3/8 Hex. (2)	58 to 64 - FL, FLH
15	7775	LOCKNUT, 3/8-24 x 7/16 x 9/10 Hex. (6)	58 to 66 - FL, FLH Late 70 to * - FL, FLH, FX
16	7812W	LOCKNUT, 1/2-20 x 5/16 x 3/4 Hex. (2)	Late 72 - FL, FLH
17	7992	LOCKNUT, 5/8-18 (4)	58 to * - FL, FLH, FX
18	34500-67	REAR SHOCK ABSORBER, complete	67 to 72 - FL, FLH
19	34500-73	REAR SHOCK ABSORBER, complete	73 to * - FL, FLH
20	34508-71A	REAR SHOCK ABSORBER, complete (black)	71 & 72 - FX
21	34508-72	REAR SHOCK ABSORBER, complete (black) (2)	73 to * - FX
24	34508-71A	REAR SHOCK ABSORBER, complete (chrome)	71 & 72 - FX
25	34508-73	REAR SHOCK ABSORBER, complete (chrome)	73 to * - FX
26	34515-58A	UPPER STUD, 1-8 in. thread (2)	58 to Early 65 - FL, FLH
	34515-65	UPPER STUD (2)	Late 65 & 66 - FL, FLH
27	34515-67	UPPER STUD (2)	67 to 72 - FL, FLH, FX
28	34515-73	UPPER STUD (2)	73 to * - FL, FLH, FX
29	34517-67	LOWER STUD (2)	67 to Early 72 - FL, FLH, FX
31	34518-67	LOWER STUD, left (for rear seen only)	67 to 72 - FL, FLH
32	34530-67	ROTATING CAM, shock absorber (2)	67 to 72 - FL, FLH, FX
33	34538-73	SHOCK ABSORBER, only	73 to * - FL, FLH
34	34538-67	SHOCK ABSORBER, only	71 - FX; 67 to 72 - FL, FLH
35	34537-72	SHOCK ABSORBER, only	72 - FX
36	34538-73	CAM SUPPORT (2)	73 to * - FL, FLH, FX
37	34540-67	CAM SLEEVE, rear shock absorber (2)	67 to 72 - FL, FLH
38	34540-65	OUTER WASHER, (lower) (4) (late 70 & later upper)	65 to 72 - FL, FLH, FX
39	34544-65	INNER WASHER, (4)	65 to 72 - FL, FLH, FX
40	34540-65	OUTER WASHER, (upper) (late 72 - lower) (2)	Late 65 to Early 75 - FL, FLH Late 72 - FL, FLH, FX
41	34546-73	SHOCK ABSORBER, only	73 to * - FX
42	34534-71	SPRING, shock absorber - black	67 to 72 - FL, FLH, FX
43	34535-71	SPRING, shock absorber - chrome	71 & 72 - FX
44	34535-73	SPRING, shock absorber - chrome	73 to * - FX
45	34534-73	ROTATING CAM, shock absorber (4)	73 to * - FL, FLH, FX
46	34538-73	CAM SLEEVE, rear shock absorber (2)	73 to * - FL, FLH, FX
47	34570-73	SPRING, shock absorber - black	73 to * - FL, FLH
49	34590-56	DIRT SEAL	58 to * - FL, FLH
50	34630-67	SPRING RETAINER, upper (2)	67 to * - FL, FLH, FX
51	34700-67	COVER, shock absorber (2)	71 to * - FX
52	34702-67	COVER, shock absorber spring (2)	67 to 72 - FL, FLH
53	34702-73	COVER, shock absorber spring (2)	73 to * - FL, FLH
54	34704-52	TOP COVER (2)	58 to 64 - FL, FLH
55	34704-65	COVER, shock absorber stud (3/8 in. hole) (2)	67 to * - FL, FLH Late 70 to * - FL, FLH, FX
57	34708-65	COVER, shock absorber stud (1/2 in. hole)	Late 65 to Early 75 - FL, FLH
58	85201-62A	RUBBER BUSHING (2)	58 to 72 - FL, FLH, FX

NOTE: Asterisk (*) indicates part is used for latest model year shown on cover.



HANDLEBARS AND CONTROLS

INDEX PART
NO. NO.

NAME

USED ON

INDEX NO.	PART NO.	NAME	USED ON
NOTE: Only current production handlebar assemblies are sold by parts order.			
1	3253	SCREW, No. 9-32 x 7-9 Pozidriv hd. (2)	74 to * - FX; 75 to * - FL, FLH
2	2584	SCREW, No. 10-24 x 5/16 Pozidriv pan hd.	68 to * - FL, FLH, FX
3	2554	SCREW, No. 9-32 x 3/4 Pozidriv pan hd. (4)	54 to * - FL, FLH, FX
4	2660	SCREW, No. 10-24 x 3/8 Pozidriv hd.	68 to * - FL, FLH; 73 - FX
5	2744W	SCREW, 1/4-20 self-tapping Phillips hd. (2)	60 to * - FL, FLH
	2908	SCREW, throttle cable clamp, No. 8	Later 73 - FX
6	2687W	BOLT, 5/16-18 x 1-3/4 hex. hd. (2)	74 to * - FX
7	3201	SET SCREW, No. 10-32 x 3/16 socket hd.	54 to 74 - FL, FLH; 71 to 73 - FX
8	3210	SCREW, 5-16-18 x 3/4 socket RL. hd. (2)	74 to * - FX
9	3429W	BOLT, No. 10-24 x 3/4 hex. hd.	71 to 74 - FL, FLH, FX
10	3720	BOLT, 1/4-20 x 7/16 hex. hd.	52 to * - FL, FLH
11	4088	BOLT, clamp to fork, 1/2-13 x 3-1/2 hex. hd. (2)	74 to * - FX
12	4326W	BOLT, 3/8-24 x 1-1/8 hex. hd.	60 to 72 - FL, FLH, FX; 76 to * - FL, FLH
	4327W	BOLT, 3/8-24 x 1-1/4 hex. hd. (2)	71 to 73 - FX
	4428	BOLT, saddlebar mounting, 1/2-20 x 2-1/2 hex. hd. (2)	73 - FL, FLH, FX
13	5071B	SPACER, throttle cable clamp	71 to 74 - FL, FLH, FX

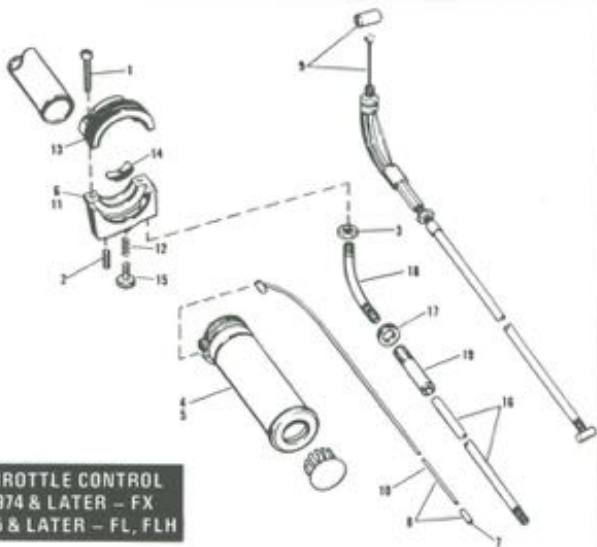
HANDLEBARS AND CONTROLS (CONT'D)

INDEX NO.	PART NO.	NAME	USED ON
14	6179W	WASHER, 1/8 x 5/8 x 3/64 (2)	60 to 72 - FL, FLH, FX; 76 to * - FL, FLH
15	7120W	LOCKWASHER, No. 12	71 to * - FL, FLH, FX
16	7136	LOCKWASHER, 1/4	52 to * - FL, FLH
17	7088	LOCKWASHER, 1/2 (2)	60 to * - FL, FLH, FX
18	7089	LOCKWASHER, No. 10	68 to * - FL, FLH, FX
	7120	LOCKWASHER, throttle cable clamp, No. 33 external tooth	71 - FX
20	7120W	NUT, No. 10-24 x 1 1/4 x 3/8 hex.	68 to * - FL, FLH, FX
21	7148W	NUT, 5/16-18 x 1/4 x 1/2 hex., (6)	74 to * - FX
22	7844	LOCKNUT, 1-22 x 5/16 x 3/8 hex., (2)	74 to * - FX
23	9260	ROLLER, handlebar grip	Late 73 to 74 - FL, FLH, Late 73 - FX
24	9857	CLIP, control coil (stony) (37) & late throttle - beneath tank	50 to 64 - FL, FLH, 71 to * - FL, FLH, FX
	958	CLAMP, throttle cable (beneath tank)	66 to 72 - FL, FLH
	982	CLAMP, throttle cable	71 - FX
25	9851	CLIP, control coil (carbonator)	49 to 65 - FL, FLH
26	41218-52	CLAMP, throttle cable (thane steering head)	68 to 72 - FL, FLH, FX; 74 - FL, FLH, FX
27	45732-60	BUSHING, fork bracket (4)	60 to 72 - FL, FLH
28	54226-45	WASHER, 3/16 x 1-1/8 x 1-1/8 (2)	64 to 72 - FL, FLH
29	54548-45	WASHER, 5/8 x 1-1/2 x 3/32 (stamped) (2)	71 to * - FX
30	51130-76	HANDLEBAR ASSEMBLY, buckhorn	76 to * - FX
31	50561-76	HANDLEBAR ASSEMBLY, buckhorn (chrome) R, H, throttle (w/dia. 1)	76 to * - FL, FLH
32	50543-65	HANDLEBAR SIDE, right, buckhorn - for starter button (black)	65 to Early 69 - FL, FLH
33	50544-72	HANDLEBAR SIDE, right, buckhorn (chrome)	72 to 74 - FL, FLH
	50544-75	HANDLEBAR SIDE, right, buckhorn (chrome)	75 to * - FL, FLH
	50545-65	HANDLEBAR SIDE, right, buckhorn - for starter button (chrome)	65 to 71 - FL, FLH
34	50551-60	HANDLEBAR SIDE, left, buckhorn (black)	60 to 64 - FL, FLH
	50551-65	HANDLEBAR SIDE, left, buckhorn (black)	65 to 67 - FL, FLH
35	50554-60	HANDLEBAR SIDE, left, buckhorn (chrome)	60 to 71 - FL, FLH
	50554-65	HANDLEBAR SIDE, left, buckhorn (chrome)	65 to 71 - FL, FLH
	50556-72	HANDLEBAR SIDE, left, buckhorn (chrome)	72 to 74 - FL, FLH
36	50556-75	HANDLEBAR SIDE, left, buckhorn (chrome)	75 to * - FL, FLH
37	50578-69A	HANDLEBAR SIDE, right, buckhorn (with cut-out & dia. switch)	Late 71 to 72 - FX
	50583-69A	HANDLEBAR SIDE, right, buckhorn (with cut-out switch)	Late 71 to 72 - FX
	50583-73	HANDLEBAR SIDE, right, buckhorn (for switch)	73 - FX
38	50583-74	HANDLEBAR, only	74 to * - FX
39	50584-65	HANDLEBAR SIDE, left, buckhorn	Late 71 to 72 - FX
	50584-73	HANDLEBAR SIDE, left, buckhorn	73 - FX
	50585-68	HANDLEBAR SIDE, right (with directional switch)	71 - FX
	50585-69A	HANDLEBAR SIDE, right, sport (with cut-out & dia. switch)	Late 71 to 72 - FX
	50587-63	HANDLEBAR SIDE, left, sport	Late 71 to 72 - FX
	50587-65	HANDLEBAR SIDE, left	71 - FX
	50588-69A	HANDLEBAR SIDE, right, sport (with cut-out switch)	Late 71 to 72 - FX
	50589-69	HANDLEBAR SIDE, right (w/directional switch)	71 - FX
	50593-70	HANDLEBAR SIDE, right, buckhorn	72 - FX
40	52101-52	CLAMP COVER	71 to * - FX
41	54102-60	HANDLEBAR STUD, to mount radio speaker (2)	60 to * - FL, FLH
42	54103-74	CLAMP, handlebar - lower left	74 to * - FX
43	54104-52A	HANDLEBAR CLAMP	60 to 72 - FL, FLH, FX
	54104-73	HANDLEBAR CLAMP	73 to * - FL, FLH, 73 - FX
44	54108-74	CLAMP, handlebar - upper	74 to * - FX
45	54106-74	CLAMP, handlebar - lower right	74 to * - FX
46	54121-60A	FORK BRACKET (non-adjustable fork)	60 to 72 - FL, FLH
	54129-60A	FORK BRACKET (adjustable fork)	60 to 72 - FL, FLH
47	54133-73	SPACER, handlebar mounting (2)	73 to * - FL, FLH, FX
48	54134-52	SCREW, rear mounting (2)	60 to 72 - FL, FLH, FX
49	54138-43	RUBBER BUSHING (2)	49 to 72 - FL, FLH, FX
50	54138-73	RUBBER BUSHING, handlebar mounting (4)	73 to * - FL, FLH, FX
51	54159-49	RUBBER WASHER (2)	49 to 72 - FL, FLH, FX
52	54159-73	CUP WASHER, handlebar mounting (4)	73 to * - FL, FLH, FX
53	56301-62A	PAIR OF HANDLEBAR GRIPS - with plugs (white)	62 to * - FL, FLH, FX
54	56305-62A	PAIR OF HANDLEBAR GRIPS - with plugs (black)	62 to 73 - FL, FLH, FX

NOTE: Asterisk (*) indicates part is used for latest model year shown in cover.

HANDLEBARS AND CONTROLS (CONT'D)

INDEX NO.	PART NO.	NAME	USED ON
55	56206-74	PAIR OF HANDLEBAR GRIPS	75 to * - FL, FLH; 74 to * - FX
56	56216-53	SPRING, handlebar grip	54 to 74 - FL, FLH; 71 to 73 - FX
57	56220-53	SLEEVE, handlebar grip	54 to 70 - FL, FLH
58	56220-58	SLEEVE, handlebar grip (2)	71 to 74 - FL, FLH; 73 to 75 - FX
59	56226-74	SLEEVE, handlebar grip (2)	75 to * - FL, FLH; 74 to * - FX
60	56238-62	PLUG, handlebar grip	60 to * - FL, FLH, FX
61	56276-31	SCREW, handlebar plug	57 to 74 - FL, FLH; 73 to * - FX
62	56278-30	ROLLER, handlebar grip	57 to 74 - FL, FLH; 73 to 75 - FX
63	56288-53	END SCREW	54 to 74 - FL, FLH; 73 to * - FX
64	56377-60	CONTROL WIRE, wry	57 to * - FL, FLH, FX
65	56378-65	CONTROL WIRE AND PLUNGER	54 to * - FL, FLH, FX
66	56395-74	COLLAR, throttle grip	74 to * - FX; 73 to * - FL, FLH
67	56396-74	SPRING, throttle grip	74 to * - FX; 73 to * - FL, FLH
68	56400-53A	PLUNGER KIT, control cable	54 to * - FL, FLH, FX
	56401-73	PLUNGER, control cable	L89 73 to 74 - FL, FLH; L89 73 - FX
69	56410-53	PLUG, control cable (2)	54 to 74 - FL, FLH; 73 to 75 - FX
70	56503-65	CONTROL COIL (throttle and timer)	53 to * - FL, FLH, FX
71	56575-26	CROSS BAR, handlebar (use for mounting accessories)	60 to * - FL, FLH, FX
		Includes:	
	3914HR	BOLT, 5/16-24 x 3/4 hex. H6 (2)	
	7041	LOCKWASHER, 5/16 (2)	
	7753	NUT, 5/16 x 1/4 x 1/2 hex. (2)	
	56581-26	CLAMP, bar to handlebar (2)	
72	56585-60	COVER, handlebar clamp (polished) (used with steering damper)	60 to * - FL, FLH
	56590-60	COVER, handlebar clamp (polished) (not used with steering damper)	60 to * - FL, FLH
	56591-60	COVER, handlebar clamp (black) (not used with steering damper)	60 to 70 - FL, FLH
73	56605-52	CLAMP, carburetor cable	52 to 65 - FL, FLH
74	61138-73	BRACKET, throttle cable	73 - FX
75	67009-72	SPACER, handlebar clamp (2)	74 - FX; 75 to * - FX
	91790-49	CONTROL COIL - 25 RL (throttle and timer)	54 to * - FL, FLH
	91791-49	CONTROL COIL - 25 RL (front brake and clutch)	52 to * - FL, FLH, FX

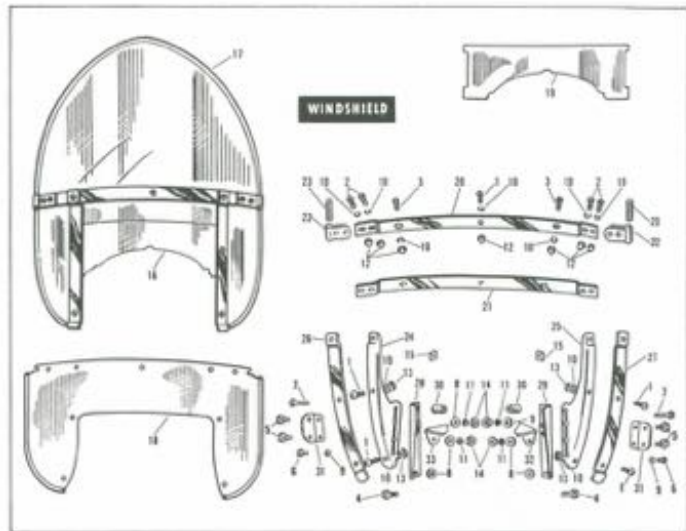


THROTTLE CONTROL
1974 & LATER - FX
1975 & LATER - FL, FLH

THROTTLE CONTROL - 1974 & LATER - FX
- 1975 & LATER - FL, FLH

INDEX NO.	PART NO.	NAME	USED ON
1	1201	SCREW, No. 8-32 x 7/8 Phosidrive (Pl. hd. (2))	74 to * - FX; 75 to * - FL, FLH
2	1208	SET SCREW, throttle cable shoe	74 to * - FX; 75 to * - FL, FLH
3	7689K	NUT, 1/4-20 x 1/4 x 7/16 hex.	Early 74 - FX
4	56206-74	HANDLEBAR GRIP, rubber only	74 to * - FX; 75 to * - FL, FLH
5	56220-74	GRIP AND SLEEVE, throttle	74 to * - FX; 75 to * - FL, FLH
6	56300-74	LOWER CLAMP AND CABLE ASSEMBLY, complete	74 & 75 - FX; 75 - FL, FLH
7	56302-74	FERRULE, throttle control wire	74 & 75 - FX; 75 - FL, FLH
8	56303-74	CONTROL WIRE AND FERRULE	74 & 75 - FX; 75 - FL, FLH
9	56313-76	CONTROL WIRE ASSEMBLY	76 to * - FL, FLH, FX
10	56389-74	CONTROL WIRE, only	74 & 75 - FX; 75 - FL, FLH
11	56393-74A	LOWER CLAMP, throttle control	74 to * - FX; 75 to * - FL, FLH
12	56394-74	SPRING, throttle control clamp adjusting screw	74 to * - FX; 75 to * - FL, FLH
13	56395-74	UPPER CLAMP, throttle control	74 to * - FX; 75 to * - FL, FLH
14	56396-74	FRICTION SPRING, throttle grip	74 to * - FX; 75 to * - FL, FLH
15	56397-74	ADJUSTING SPRING, throttle control clamp	74 to * - FX; 75 to * - FL, FLH
16	56502-74	CASING, control wire	74 & 75 - FX; 75 - FL, FLH
17	56505-74	LOCKNUT, throttle cable adjuster	74 & 75 - FX; 75 - FL, FLH
18	56506-74	ELBOW, throttle cable	74 & 75 - FX; 75 - FL, FLH
19	56507-74	ADJUSTER, throttle cable	74 & 75 - FX; 75 - FL, FLH

NOTE: Asterisk (*) indicates part is used for latest model year shown on cover.



WINDSHIELD

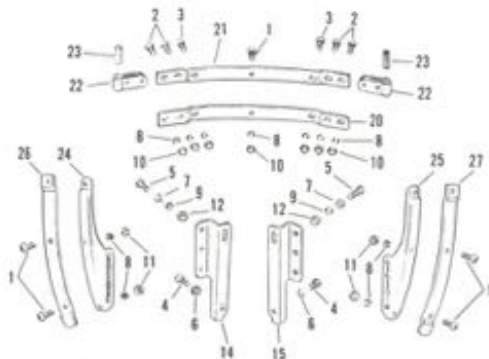
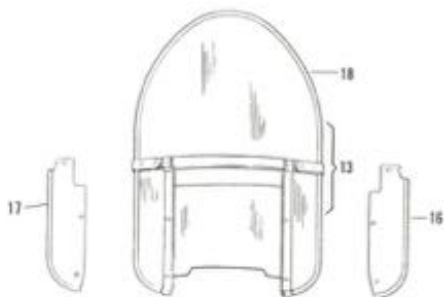
INDEX NO.	PART NO.	NAME	USED ON
1	2725	SCREW, No. 12-24 x 17/32 Phillips Hd. (5)	49 to * - FL, FLH
2	2726	SCREW, No. 12-24 x 21/32 Phillips Hd. (4)	49 to * - FL, FLH
3	2728	SCREW, No. 12-24 x 25/32 Phillips Hd. (2)	49 to * - FL, FLH
4	3995	BOLT, 5/16-24 x 9/16 hex. Hd. (2)	49 to * - FL, FLH
5	3974HW	BOLT, 5/16-24 x 3/4 hex. (4)	49 to * - FL, FLH
6	3996	BOLT, 5/16-24 x 7/8 hex. Hd. (2)	60 to * - FL, FLH
7	4014W	BOLT, 5/16-24 x 1-1/4 hex. Hd. (2)	60 to * - FL, FLH
8	6333	WASHER, 5/16 x 7/8 x 5/64 (4)	49 to * - FL, FLH
9	6762	WASHER, 5/16 x 11/16 x 1/16 (2)	60 to * - FL, FLH
10	7530W	LOCKWASHER, No. 32 (11)	49 to * - FL, FLH
11	7041	LOCKWASHER, 5/16 (4)	49 to * - FL, FLH
12	7651	ACORN NUT, No. 12-24 (7)	49 to * - FL, FLH
13	7654W	NUT, No. 12-24 x 5/32 x 7/16 hex. (4)	49 to * - FL, FLH
14	7744	NUT, 5/16-24 x 5/16 x 1/2 hex. (4)	49 to * - FL, FLH
15	7754	WELD NUT, windshield bracket	49 to * - FL, FLH
16	51996-60	WINDSHIELD, complete (clear)	60 to * - FL, FLH
17	58025-49A	UPPER WINDOW	49 to * - FL, FLH
	58027-49	LOWER WINDOW (clear)	49 to * - FL, FLH
19	58027-60	ADJUSTABLE WINDOW (clear)	60 to * - FL, FLH
20	58035-49A	INNER BRACE	49 to * - FL, FLH
21	58037-49A	OUTER BRACE	49 to * - FL, FLH
22	58048-50	CLAMP, windshield holding (2)	50 to * - FL, FLH
23	58049-50A	BUSHING, windshield clamp (2)	50 to * - FL, FLH
24	58078-49	ADJUSTMENT BRACKET, right	49 to * - FL, FLH
25	58079-49	ADJUSTMENT BRACKET, left	49 to * - FL, FLH
26	58085-49	OUTER BRACE, right	49 to * - FL, FLH
27	58086-49	OUTER BRACE, left	49 to * - FL, FLH
28	58095-49	FORK BRACKET, right	49 to * - FL, FLH
29	58096-49	FORK BRACKET, left	49 to * - FL, FLH
30	58102-49	SPACER, fork bracket (2)	49 to * - FL, FLH
31	58107-60	EXTENSION, left and right (2)	60 to * - FL, FLH
32	58128-60	DEFLECTOR PLATE, left	60 to * - FL, FLH
33	58139-60	DEFLECTOR PLATE, right	60 to * - FL, FLH



**WINDSHIELD
AND FAIRING**

WINDSHIELD AND FAIRING

INDEX	PART NO.	NAME	USED ON
1	2725	SCREW, center - windshield braces, No. 12-24 x 17/32 Ph4, Hd.	60 to * - FL, FLH
2	2726	SCREW, molding clamp, No. 12-24 x 21/32 Ph4, Hd. (4)	60 to * - FL, FLH
3	3787	BOLT, fairs brackets to fork bracket to windshield, 1/4-20 x 3/4 hex, Hd. (6)	60 to * - FL, FLH
4	3996	BOLT, fork bracket to fork, lower, 5/16-24 x 7/8 hex, Hd. (2)	60 to * - FL, FLH
5	4014R	BOLT, fork bracket to fork, upper, 5/16-24 x 1-1/4 hex, Hd. (2)	60 to * - FL, FLH
6	5033R	SPACER, fork bracket to fork, upper (2)	60 to * - FL, FLH
7	6295R	WASHER, fairs brackets to fairsig, 1/4 x 3/4 x 1/32 (4)	60 to * - FL, FLH
8	6261	WASHER, fairs brackets to fairsig, 1/4 x 3/4 x 1/8 rubber (4)	60 to * - FL, FLH
9	6374R	WASHER, fork bracket to fork - lower - inside, 5/16 x 9/16 x 1/8 (2)	60 to * - FL, FLH
10	6102	WASHER, fork bracket to fork - upper & lower - outside, 5/16 x 11/16 x 1/16 (4)	60 to * - FL, FLH
11	6703	WASHER, fairs bracket, upper & lower, 1/4 x 5/8 x 1/16 (8)	60 to * - FL, FLH
12	7030W	LOCKWASHER, molding clamp & center - windshield braces, No. 12 (5)	60 to * - FL, FLH
13	7651	ACORN NUT, molding clamp & center - windshield braces, No. 12-24 (5)	60 to * - FL, FLH
14	7646	NUT, 1/4-20 (10)	60 to * - FL, FLH
15	58030-45A	BRACE, windshield - inner	60 to * - FL, FLH
16	58037-45A	BRACE, windshield - outer	60 to * - FL, FLH
17	58048-50	CLAMP, windshield molding (2)	60 to * - FL, FLH
18	58049-50A	BUSHING, windshield molding (2)	60 to * - FL, FLH
	58165-65	WINDSHIELD AND FAIRING KIT	60 to * - FL, FLH
19	58161-69	BRACKET, windshield fairsig - upper, 9P (2)	60 to * - FL, FLH
20	58162-69	BRACKET, windshield fairsig - lower, 6P (2)	60 to * - FL, FLH
21	58163-69	TRIM, windshield fairsig	60 to * - FL, FLH
22	58164-69	WINDSHIELD	60 to * - FL, FLH
23	58165-69	FORK BRACKET, left	60 to * - FL, FLH
24	58166-69	FORK BRACKET, right	60 to * - FL, FLH
25	58167-69	WINDSHIELD FAIRING, only	60 to * - FL, FLH
26	58168-69	TRIM, fairs brackets (2)	60 to * - FL, FLH
27	58171-69	MOUNTING STUD, windshield fairsig (4)	60 to * - FL, FLH
	58426-75A	WINDSHIELD AND FAIRING KIT	75 & 76 - FL, FLH

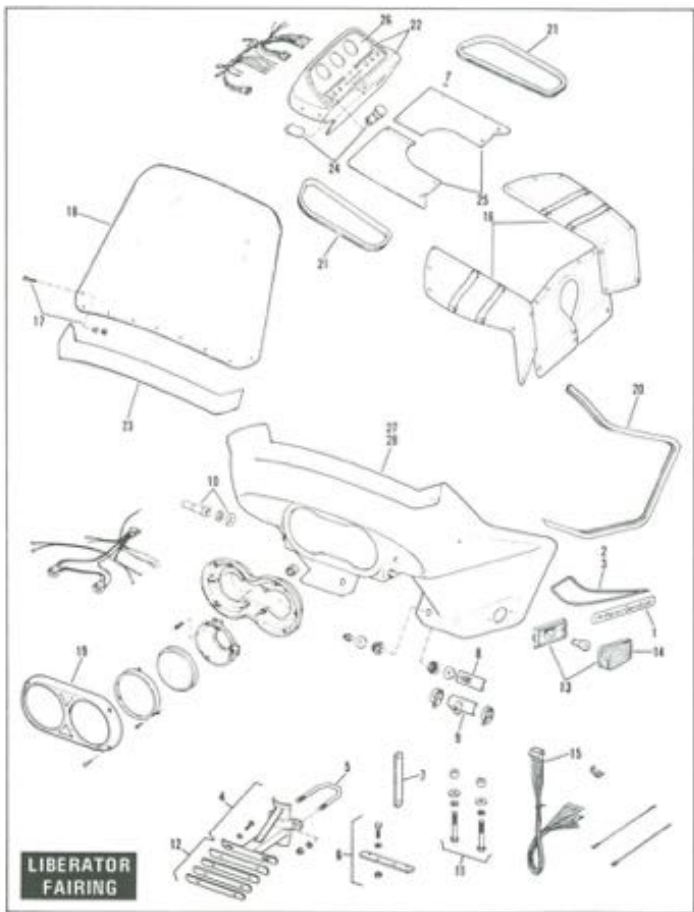


COMPACT WINDSHIELD - FX

COMPACT WINDSHIELD - FX

INDEX NO.	PART NO.	NAME	USED ON
1	3725	SCREW, No. 12-24 x 1/2 (3)	71 to * - FX
2	3726	SCREW, No. 12-24 x 5/8 (4)	71 to * - FX
3	3728	SCREW, No. 12-24 x 3/4 (2)	71 to * - FX
4	3912W	BOLT, 5/16-24 x 1/2 hex. hd. (4)	71 to * - FX
5	3996	BOLT, 5/16-24 x 7/8 hex. hd. (4)	71 to * - FX
6	4333	WASHER, 5/16 x 7/8 x 5/64 (4)	71 to * - FX
7	4792	WASHER, 1/16 x 3/16 x 1.18 (4)	71 to * - FX
8	7030W	LOCKWASHER, No. 12 (12)	71 to * - FX
9	7041	LOCKWASHER, 5/16 (8)	71 to * - FX
10	7651	ACORN NUT, No. 12-24 (2)	71 to * - FX
11	7654W	NUT, No. 12-24 (4)	71 to * - FX
12	7044	NUT, 5/16-24 (8)	71 to * - FX
13	57999-42	WINDSHIELD, only	71 to * - FX
	58001-71A	COMPACT WINDSHIELD, complete	71 to * - FX
14	58003-71	FORK BRACKET, right	71 to * - FX
15	58004-71	FORK BRACKET, left	71 to * - FX
16	58017-42	WINDOW, lower left	71 to * - FX
17	58018-42	WINDOW, lower right	71 to * - FX
18	58020-42	WINDOW, upper	71 to * - FX
19	58025-42A	ADJUSTABLE WINDOW	71 to * - FX
20	58036-42	INNER BRACE	71 to * - FX
21	58039-42	OUTER BRACE	71 to * - FX
22	58048-50	BRACE CLAMP (2)	71 to * - FX
23	58049-50A	RUBBER BUSHING (2)	71 to * - FX
24	58079-49	ADJUSTING BRACKET, right	71 to * - FX
25	58079-49	ADJUSTING BRACKET, left	71 to * - FX
26	58085-49	OUTER BRACE STRIP, right	71 to * - FX
27	58086-49	OUTER BRACE STRIP, left	71 to * - FX

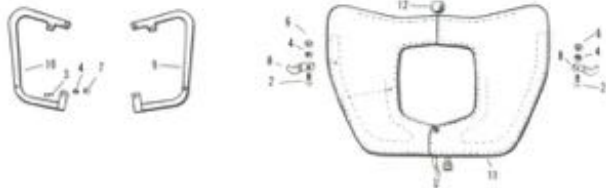
NOTE: Asterisk (*) indicates part is used for latest model year shown on cover.



LIBERATOR FAIRING

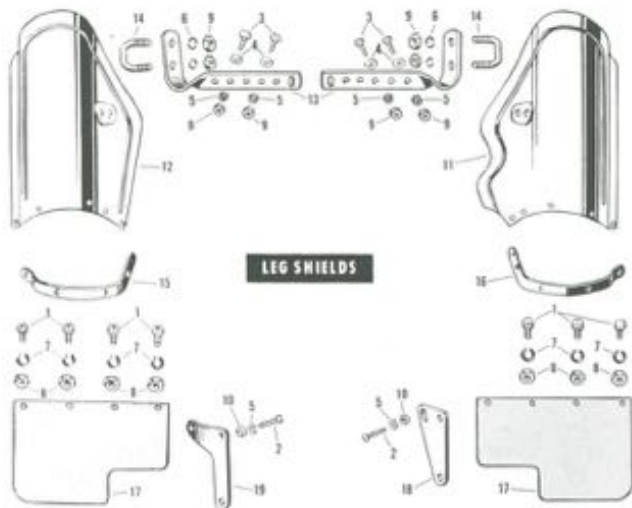
INDEX	PART		USED ON
NO.	NO.	NAME	
	58200-75	LIBERATOR FAIRING, black	71 to * - FL, FLH
	58201-75	AMP H-D TRANSFER	71 to * - FL, FLH
	58202-75	REFLECTIVE TRIM, white fairing (part)	71 to * - FL, FLH
	58203-75	REFLECTIVE TRIM, black fairing (part)	71 to * - FL, FLH
	58204-75	STEERING HEAD BRACKET KIT (T-bracket, bolts & washers)	71 to * - FL, FLH
	58205-75	U-BOLT	71 to * - FL, FLH
	58206-75	HANDLEBAR COVER ADAPTER KIT	71 to * - FL, FLH
	58207-75	HORN BRACKET HARDWARE	71 to * - FL, FLH
	58208-75	SAFETY BAR MOUNTING KIT	71 to * - FL, FLH
	58209-75	OFFSET SAFETY BAR MOUNTING KIT	71 to * - FL, FLH
	58210-75	TURNSIGNAL SUPPORT KIT	71 to * - FL, FLH
	58211-75	HANDLEBAR SPACER AND BOLT KIT	71 to * - FL, FLH
	58212-75	MOUNTING SHIM KIT	71 to * - FL, FLH
	58213-75	SIDE LAMP (2)	71 to * - FL, FLH
14	58214-75	LENS, side lamp (2)	71 to * - FL, FLH
	58215-75	FLASHER RELAY	71 to * - FL, FLH
15	58216-75	WIRING HARNESS, external	71 to * - FL, FLH
16	58217-75	TORNEAU COVER (2)	71 to * - FL, FLH
17	58218-75	WINDSHIELD MOUNTING BOLT KIT	71 to * - FL, FLH
18	58219-75	WINDSHIELD	71 to * - FL, FLH
	58220-75	PLASTIC FIX KIT	71 to * - FL, FLH
19	58221-75	HEADLIGHT MOLDING	71 to * - FL, FLH
20	58222-75	CHROME SIDE EDGING KIT	71 to * - FL, FLH
21	58223-75	POCKET EDGING	71 to * - FL, FLH
22	58224-75	PANEL, instrument - with instrument plate	71 to * - FL, FLH
23	58225-75	WINDSHIELD FOAM TAPE	71 to * - FL, FLH
24	58226-75	CIGARETTE LIGHTER ASSEMBLY	71 to * - FL, FLH
25	58227-75	PANEL, fork cover (part)	71 to * - FL, FLH
	58228-75	FASTENER KIT, windshield	71 to * - FL, FLH
26	58229-75	PLATE, instrument panel	71 to * - FL, FLH
27	58230-75	FAIRING SHELL, white	71 to * - FL, FLH
28	58231-75	FAIRING SHELL, black	71 to * - FL, FLH
	58230-75	LIBERATOR FAIRING, white	71 to * - FL, FLH
	74300-75	FAIRING GAGE KIT (See Index for Gages)	71 to * - FL, FLH

WINTER WINDSHIELD



WINTER WINDSHIELD

INDEX PART		NAME	USED ON
NO.	NO.		
1	2583	SCREW, No. 10-32 x 3/8 Phillips pan hd.	60 to Early 63 - FL, FLH
2	2725	SCREW, No. 12-24 x 17/32 Phil. hd. sh.	49 to * - FL, FLH
3	2773	SCREW, 1-4-20 x 1/2 Phillips pan hd. sh.	49 to * - FL, FLH
4	7030W	LOCKWASHER, No. 12 (7)	49 to * - FL, FLH
5	7069	LOCKWASHER, No. 10 (3)	49 to * - FL, FLH
6	7654W	NUT, No. 12-24 x 5/32 x 7/16 hex. (6)	49 to * - FL, FLH
7	7754	WELD NUT, windshield bracket.	49 to * - FL, FLH
8	8969W	CLIP, apron to windshield (4)	60 to Early 63 - FL, FLH
	57990-60B	WINTER WINDSHIELD KIT (fits plastic sheroes) Consists of:	49 to * - FL, FLH
	2604	SCREW, No. 8-32 x 1/2 Phillips pan hd.	
	2725	SCREW, No. 12-24 x 5/8 Phillips blunt hd.	
	2773	SCREW, No. 12-24 x 11/16 Phillips blunt hd.	
	7030W	LOCKWASHER, No. 12	
	7069	LOCKWASHER, No. 10	
	7654W	NUT, No. 12-24 x 5/32 x 7/16 hex.	
	8969W	CLIP	
	88072-63	SUPPORT, left	
	88073-63	SUPPORT, right	
	88125-63	APRON, windshield	
	88225-63	TEE NUT, center brace	
9	88072-63	SUPPORT, left	Late 63 to * - FL, FLH
10	88073-63	SUPPORT, right	Late 63 to * - FL, FLH
11	88125-63	APRON, windshield	Late 63 to * - FL, FLH
12	88225-63	TEE NUT, center brace	49 to * - FL, FLH

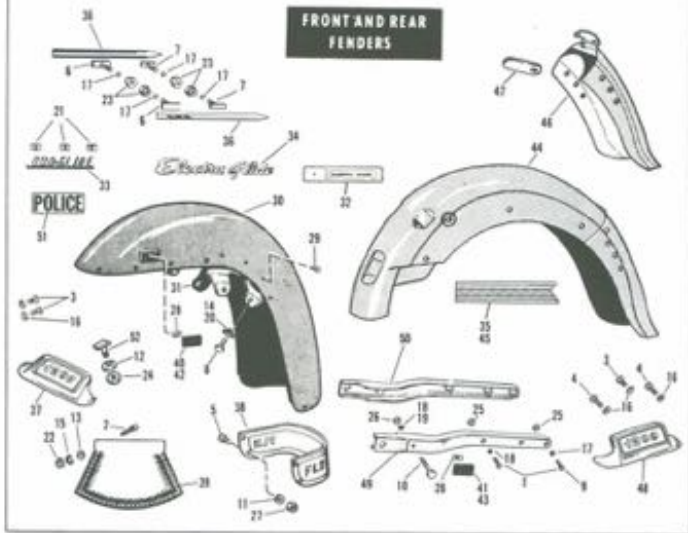


LEG SHIELDS

INDEX NO.	PART NO.	N A M E	USED ON
1	7561	SCREW, No. 10-24 x 1/2 Pozidriv pan hd. (7)	41 50 * - FL, FLH
2	2762W	SCREW, 1/4-24 x 5/8 hd. flt. (2)	41 50 * - FL, FLH
3	337HW	BOLT, 5/16-24 x 3/8 hex. hd. (4)	41 50 * - FL, FLH
4	631W	WASHER, 5/16 x 5/8 x 1/16 (4)	41 50 * - FL, FLH
5	7036	LOCKWASHER, 1/4 (4)	41 50 * - FL, FLH
6	7041	LOCKWASHER, 5/16 (4)	41 50 * - FL, FLH
7	7069	LOCKWASHER, No. 10 (7)	41 50 * - FL, FLH
8	7629	NUT, No. 10-24 x 1/8 x 3/8 hex. (7)	41 50 * - FL, FLH
9	7676	NUT, 1/4-24 x 3/16 x 7/16 hex. (4)	41 50 * - FL, FLH
10	7695HD	NUT, 1/4-24 x 7/32 x 7/16 hex.	41 50 * - FL, FLH
11	58511-17	LEG SHIELD, left	41 50 * - FL, FLH
12	58510-17	LEG SHIELD, right	41 50 * - FL, FLH
13	58514-13	BRACKET, leg shield (2)	Law 51 50 * - FL, FLH
14	58563-51	U-BOLT (2)	Law 51 50 * - FL, FLH
15	58548-30	FLAP BRACKET, right	41 50 * - FL, FLH
16	58548-36	FLAP BRACKET, left	41 50 * - FL, FLH
17	58581-37	FLAP, rubber (2)	41 50 * - FL, FLH
18	58587-36	LOWER BRACKET, left	41 50 * - FL, FLH
19	58589-36	LOWER BRACKET, right	41 50 * - FL, FLH

NOTE: Asterisk (*) indicates part is used for latest model year shown on cover.

FRONT AND REAR FENDERS



FRONT AND REAR FENDERS

INDEX PART
NO. NO.

NAME

USED ON

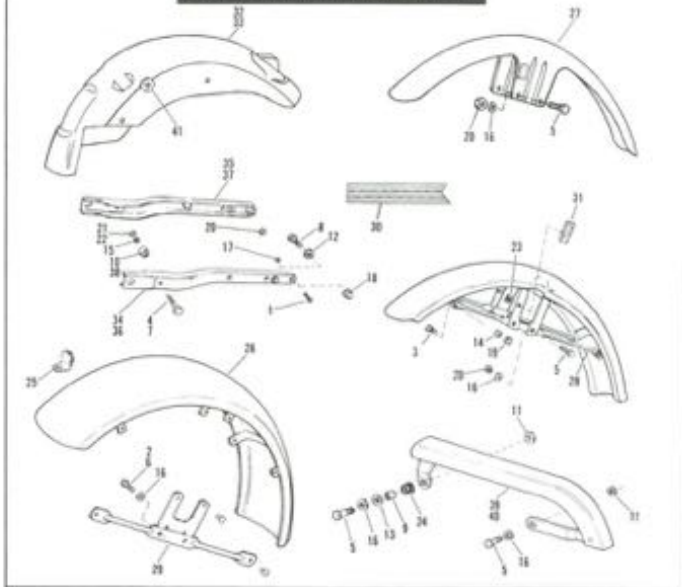
1	2272	SCREW, 5/16-24 x 1-1/4 Pozidriv oval (2k), Hd. (4)	50 to * - FL, FLH
2	2587	SCREW, No. 10-24 x 1/2 Pozidriv pan Hd. (3)	41 to * - FL, FLH
3	2630W	SCREW, No. 8-32 x 5/16 self-tapping rd. Hd. (3)	59 to 61; 67 to * - FL, FLH
4	2634W	SCREW, No. 8-32 x 1/2 self-tapping rd. Hd. (2)	59 to 66 - FL, FLH
5	2710C	SCREW, No. 4-40 x 3/8 Phil. Hd. (4)	54 to * - FL, FLH
6	3560W	TEE BOLT, No. 10-24 x 3/8 (2)	57 to * - FL, FLH
7	3562W	TEE BOLT, No. 10-24 x 1/4 (2)	57 to * - FL, FLH
8	3891	BOLT, 5/16-18 x 1/8 hex. Hd. (4)	49 to * - FL, FLH
9	4018W	BOLT, 5/16-24 x 1-1/4 (2k), Hd. (2)	63 to * - FL, FLH
10	4380W	BOLT, 3/8-24 x 2 hex. Hd. (2)	58 to * - FL, FLH
11	6335	WASHER, No. 4 x 5/16 x 1/32 (4)	34 to * - FL, FLH
12	6700	WASHER, 1/4 x 5/8 x 1/16 (2)	55 to * - FL, FLH
13	6716	WASHER, No. 10 x 1/2 x 3/64 (3)	41 to * - FL, FLH
14	7042	LOCKWASHER, 5/16 (4)	Late 70 to * - FL, FLH
15	7083	LOCKWASHER, No. 10 (3)	41 to * - FL, FLH
16	7123	LOCKWASHER, No. 8 int. tooth (5)	59 to * - FL, FLH
17	7220	LOCKWASHER, No. 10 ext. tooth (6)	57 to * - FL, FLH
18	7232	LOCKWASHER, 5/16 ext. tooth (2k), (4)	56 to * - FL, FLH
19	7233	LOCKWASHER, 5/16 ext. tooth (2)	58 to 73 - FL, FLH
20	7410	LOCKWASHER, front fender bolt (4)	51 to Early 70 - FL, FLH
21	7613A	SPEED NUT (6)	58 to * - FL, FLH
22	7620W	NUT, No. 10-24 x 1/8 x 3/8 hex. (3)	61 to * - FL, FLH

FRONT AND REAR FENDERS (CONT'D)

INDEX	PART NO.	NAME	USED ON
23	7639F	NUT, No. 10-24 x 13/32 x 3/8 hex. (4)	57 to * - FL, FLH
24	7688	NUT, 1/4-20 x 7/32 x 7/16 hex.	55 to * - FL, FLH
25	7751	NUT, 5/16-24 x 17/64 x 1/2 hex. (4)	41 to * - FL, FLH
26	7800W	NUT, 3/8-24 x 23/64 x 5/16 hex. (2)	58 to 72 - FL, FLH
27	8330W	NUT, No. 4-40 (4)	54 to * - FL, FLH
28	8331W	SPEED NUT, reflective (4)	49 to 71 - FL, FLH
29	8511	RIVET, front fender brace, 3/16 x 3/8 (10)	54 to * - FL, FLH
30	59000-58F	FRONT FENDER, prime	54 to * - FL, FLH
31	58136-49	FRONT FENDER BRACE (2)	49 to * - FL, FLH
32	58109-71	NAMEPLATE, left	71 - FL, FLH
33	58110-71	NAMEPLATE, right	71 - FL, FLH
33	58195-58	NAMEPLATE (2)	56 to 66 - FL, FLH
34	58196-65	NAMEPLATE, "Elastic Guard" (2)	65 to 70 - FL, FLH
35	58204-59	FRONT FENDER TRIM SET, with fittings	59 to 66 - FL, FLH
35	58204-59B	FRONT FENDER TRIM SET, with fittings	67 to * - FL, FLH
35	58209-71	TRIM TAPE, front fender (red, white & blue)	71 - FL, FLH
35	58209-72	TRIM TAPE, front fender (red, white & blue)	72 & 73 - FL, FLH
36	58209-74	TRIM TAPE, front fender (red, white & blue)	74 - FL, FLH
36	58211-74	SIDE TRIM STRIP (2)	57 to * - FL, FLH
37	58226-59B	FRONT FENDER TIP, with fittings	67 to * - FL, FLH
38	58233-68	FRONT FENDER TRIM KIT, lower (complete)	54 to 75 - FL, FLH
38	58233-76	FRONT FENDER TRIM KIT, lower (complete)	76 to * - FL, FLH
39	58275-45A	FENDER FLAP (black)	49 to * - FL, FLH
39	58275-58A	FENDER FLAP (white)	49 to * - FL, FLH
40	58252-69	REFLECTOR KIT, front (amber) (2)	69 to 71 - FL, FLH
41	58253-69	REFLECTOR KIT, rear (red) (2)	69 to 71 - FL, FLH
42	58254-72	REFLECTOR, amber (2)	72 to * - FL, FLH
43	58255-72	REFLECTOR, red (2)	72 to * - FL, FLH
44	58604-69B	REAR FENDER (prime) (turn signals)	Later 75 to * - FL, FLH
45	58621-71	TRIM TAPE, rear fender - front (red, white & blue)	71 - FL, FLH
45	58632-72	TRIM TAPE, rear fender - front (red, white & blue)	72 & 73 - FL, FLH
45	58632-74	TRIM TAPE, rear fender hinged end - lower (red, white & blue)	74 - FL, FLH
45	58634-71	TRIM TAPE, rear fender hinged end-upper (red, white & blue)	71 - FL, FLH
45	58634-72	TRIM TAPE, rear fender hinged end - upper (red, white & blue)	72 & 73 - FL, FLH
45	58634-74	TRIM TAPE, rear fender hinged end - upper (red, white & blue)	74 - FL, FLH
45	58636-71	TRIM TAPE, rear fender hinged end-lower (red, white & blue)	71 - FL, FLH
45	58636-72	TRIM TAPE, rear fender hinged end - lower (red, white & blue)	72 & 73 - FL, FLH
45	58636-74	TRIM TAPE, rear fender - front (red, white & blue)	74 - FL, FLH
46	58699-73	REAR END, rear fender	Later 74 to * - FL, FLH
47	58750-62	SCREW PLATE, rear fender (2)	62 to * - FL, FLH
48	58853-58A	REAR FENDER HINGE, with rivets	58 to * - FL, FLH
48	58862-90	HINGE PIN	49 to * - FL, FLH
48	58867-58B	REAR FENDER TIP, with fittings	67 to * - FL, FLH
49	58922-58	REAR FENDER SUPPORT, left	58 to * - FL, FLH
50	58933-58	REAR FENDER SUPPORT, right	58 to * - FL, FLH
51	60311-58A	POLICE DECAL, front fender (2)	58 to * - FL, FLH
52	61343-74	TRIM, rear fender (FLH 1200)	74 & 75 - FLH
52	91061-61	TEE BOLT, front fender tip	62 to * - FL, FLH

NOTE: Asterisk (*) indicates part is used for latest model year shown on cover.

FENDERS AND CHAIN GUARDS – FX

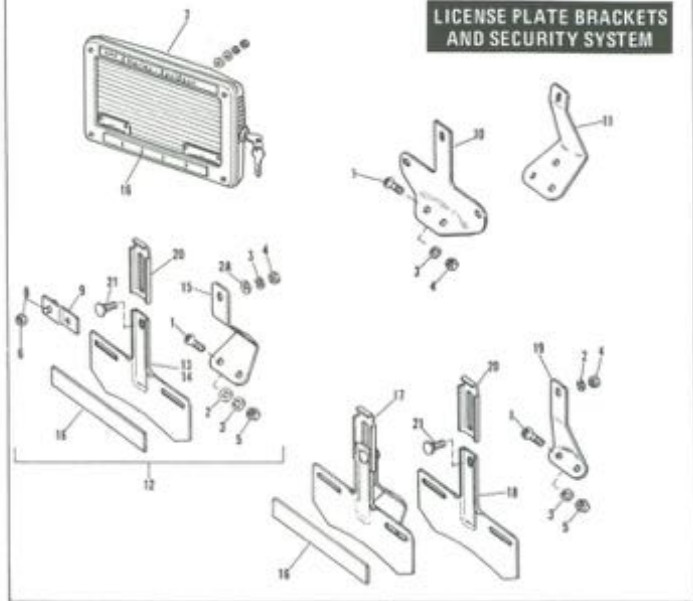


FENDERS AND CHAIN GUARD – FX

INDEX NO.	PART NO.	NAME	USED ON
1	2272	SCREW, 5/16-24 x 1-1/4 Positiv seal disk, Nd. (4)	71 to * – FX
2	2822W	BOLT, 5/16-18 x 5-8 hex, Nd. (4)	Late 74 to * – FX
3	3720	BOLT, 1/4-20 x 7/16 (4)	71 & 72 – FX
4	3845	BOLT, 3/8-24 x 2-1/4 hex, Nd. (2)	71 – FX
5	3874WH	BOLT, 5/16-24 x 3/4 hex, Nd. (4)	71 to * – FX
6	3891	BOLT, 5/16-24 x 7/8 hex, Nd. (4)	73 to Early 74 – FX
7	4380W	BOLT, 3/8-24 x 2 hex, Nd. (2)	72 to * – FX
8	4720W	BOLT, 3/8-16 x 1-1/4 hex, Nd. (4)	72 to * – FX
9	5028B	SPACER, chain guard	73 to * – FX
10	5842B	SPACER, rear fender support (2)	71 – FX
11	6107B	WASHER, 5/16 x 11/32 x 1-8 (3)	71 & 72 – FX
12	6406	WASHER, 3/8 x 1 x 5/64 (2)	Late 71 – FX
13	6701	WASHER, 3/8 x 13/32 x 1/32 (4)	72 to * – FX
14	6702	WASHER, 5/16 x 11/32 x 1/16	73 to * – FX
14	7036	LOCKWASHER, 1/4 (4)	71 to * – FX
15	7038	LOCKWASHER, 3/8 (2)	71 to * – FX
16	7041	LOCKWASHER, 5/16 (4)	73 to Early 74 – FX
17	7222	LOCKWASHER, 5/16 external tooth (6)	71 – FX
17	7233	LOCKWASHER, 5/16 external tooth (6)	72 to * – FX
18	7680W	ADORN NUT, 3/8-16 (4)	72 to * – FX
19	7684	ADORN NUT, 1/4 (4)	71 to * – FX
20	7753	NUT, 5/16-24 (6)	71 to * – FX
21	7770W	LOCKNUT, 3/8-24 (2)	72 to * – FX
22	7808W	NUT, 3/8-24 (2)	71 – FX
23	8133W	SPEED NUT, reflector (2)	71 – FX
24	10411	GRONMET, chain guard	73 to * – FX
25	38620-73	GUIDE, speedometer cable	73 to * – FX
26	39007-73A	FRONT FENDER – prime	75 to * – FX
27	39026-73A	FRONT FENDER – prime (fiberglass)	71 & 72 – FX
28	59105-70	FENDER BRACE (2)	71 to Late 74 – FX
29	59111-74	FENDER BRACE, front fender (2)	75 to * – FX
30	59208-71	TRIM TAPE, front fender (red, white & blue)	71 – FX
30	59208-72	TRIM TAPE, front fender (red, white & blue)	72 & 73 – FX
30	59208-74	TRIM TAPE, rear fender (red, white & blue)	74 to * – FX
30	59210-72	TRIM, fiberglass front fender	72 – FX
30	59650-72	TRIM TAPE, rear fender (red, white & blue)	72 & 73 – FX
30	59650-74	TRIM TAPE, rear fender (red, white & blue)	74 – FX
31	59252-69	REFLECTOR KIT, amber (2)	71 & 72 – FX
31	59252-72	REFLECTOR, red (2)	72 to * – FX
32	59184-73A	REAR FENDER, prime (low seat) (dash signals)	Late 73 to * – FX
32	59194-73	REAR FENDER, prime (low seat)	72 to Early 73 – FX
33	59156-71	REAR FENDER, prime (fiberglass seat)	71 & 72 – FX
34	59229-72	SUPPORT, rear fender – left	72 to Early 73 – FX
34	59229-73	SUPPORT, rear fender – left (dash signals)	Late 73 to * – FX
35	59229-72	SUPPORT, rear fender – right	72 to Early 73 – FX
35	59229-73	SUPPORT, rear fender – right (dash signals)	Late 73 to * – FX
36	59232-68	SUPPORT, rear fender – left	71 to * – FX
37	59233-68	SUPPORT, rear fender – right	71 to * – FX
38	59238-72	SPACER, rear fender support (2)	72 to * – FX
39	60301-70	REAR CHAIN GUARD, chrome	71 – FX
40	60302-70	REAR CHAIN GUARD, black	71 – FX
40	60302-73	REAR CHAIN GUARD, chrome	72 to * – FX
41	70677-26	GRONMET, rear fender	72 to * – FX

NOTE: Asterisk (*) indicates part is used for latest model year shown on cover.

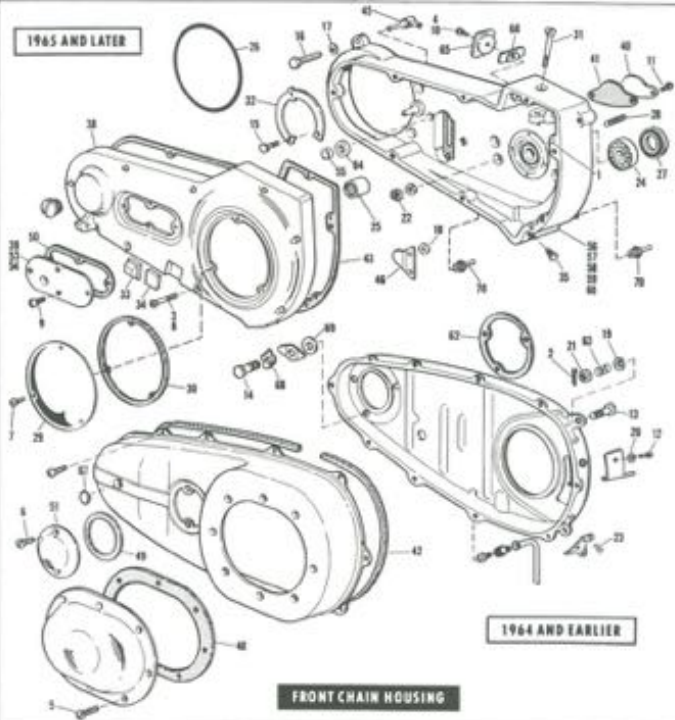
LICENSE PLATE BRACKETS AND SECURITY SYSTEM



LICENSE PLATE BRACKETS AND SECURITY SYSTEM

INDEX	PART	USED ON	
NO.	NO.	NAME	
1	2774	SCREW, 1/4-20 x 3/8 Plastic pan hd. (2 or 3)	Late 73 to * - FL, FLH, FX
2	4340B	WASHER, 5/16 x 5/8 x 1/16 (2 or 3)	Late 73 to Late 75 - FX
	4702	WASHER, 5/16 x 11/16 x 1/16	Late 75 to * - FX
2A	4703	WASHER, 1/4 x 5/8 x 1/16	55 to * - FL, FLH, FX
3	7036	LOCKWASHER, 1/4 (2 or 3)	55 to * - FL, FLH, FX
4	7676	NUT, 1/4-20 x 3/16 x 7/16 hex.	55 to * - FL, FLH, FX
5	7688	NUT, 1/4-20 x 7/32 x 7/16 hex. (2 or 3)	55 to * - FL, FLH, FX
6	7687	NYLON NUT, license plate (2)	74 to * - FL, FLH, FX
7	45771-74	SECURITY SYSTEM	74 to * - FL, FLH, FX
	45773-74	SECURITY SYSTEM CONVERSION KIT (converts to transmitter type)	74 to * - FL, FLH, FX
8	59976-74	BRACKETS WITH STUDS AND NUTS KIT, license plate	Late 74 to * - FL, FLH, FX
9	59975-74	BRACKET WITH STUD, license plate (2)	74 to * - FL, FLH, FX
10	59961-74	BRACKET, license plate (security system)	74 & 75 - FL, FLH, FX
11	59962-74	SUPPORT, license plate bracket (security system)	74 & 75 - FL, FLH, FX
12	59963-75	BRACKET ASSEMBLY, license plate	76 to * - FL, FLH, FX
13	59964-72	BRACKET, license plate	Late 72 to Early 73 - FL, FLH, FX
	59964-73	BRACKET, license plate	Late 73 to * - FL, FLH, FX
14	59965-72	BRACKET, license plate	Early 72 - FL, FLH, FX
15	59964-75	SUPPORT, license plate bracket	76 to * - FL, FLH, FX
16	59968-72	REFLECTOR, license plate bracket	72 to * - FL, FLH, FX
17	59995-55A	LICENSE PLATE BRACKET ASSEMBLY	56 to Late 72 - FL, FLH, FX
	59995-72A	LICENSE PLATE BRACKET ASSEMBLY	72 to Early 73 - FL, FLH, FX
	59995-73	LICENSE PLATE BRACKET ASSEMBLY	Late 73 - FL, FLH, FX
18	59997-55	BRACKET, license plate	55 to 71 - FL, FLH
19	59995-55A	SUPPORT, license plate bracket	55 to 71 - FL, FLH
	59995-72	SUPPORT, license plate bracket	Late 72 to Early 73 - FL, FLH, FX
	59995-73	SUPPORT, license plate bracket	Late 73 to * - FL, FLH, FX
20	6001-55	CLAMP, license plate	55 to * - FL, FLH, FX
	6001-72	CLAMP, license plate	Early 72 - FL, FLH, FX
21	6002-55	BOLT, license plate clamp	55 to * - FL, FLH, FX

1965 AND LATER



1964 AND EARLIER

FRONT CHAIN HOUSING

FRONT CHAIN HOUSING

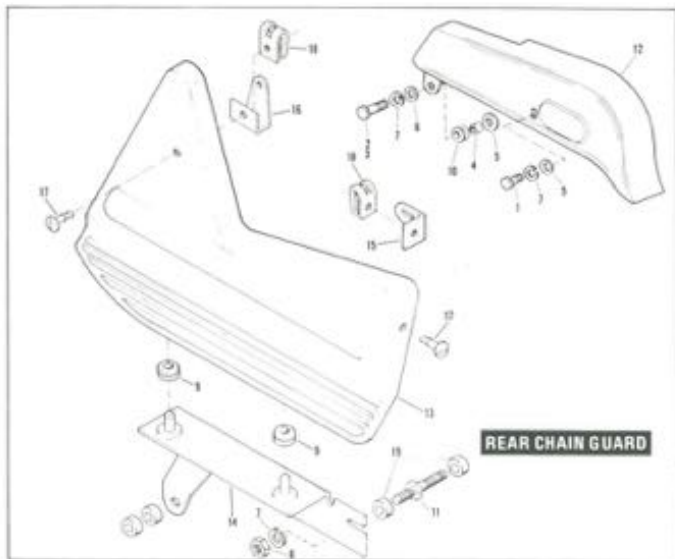
INDEX NO.	PART NO.	NAME	USED ON
1	334	ROLL PIN, front chain housing	65 to * - FL, FLH, FX
2	515	COTTER PIN	41 to 64 - FL, FLH
3	1301	SCREW, 1/4-20 x 5-1/4 Pozidriv flt. hd. (8)	70 to * - FL, FLH, FX
4	1374	SCREW, 1/4-20 x 3/4 Pozidriv hd.	73 to * - FX
5	2265W	SCREW, No. 12-24 x 3/8 ov. hd. (8)	41 to 64 - FL, FLH
6	2268W	SCREW, No. 12-24 x 1/2 ov. hd. (2)	41 to 64 - FL, FLH
7	2337W	SCREW, chain guard clutch cover (3)	70 to * - FL, FLH, FX
8	2345	SCREW, 1/4-20 x 1-1/2 ctk. oval hd. (8)	65 to 69 - FL, FLH
9	2356	SCREW, 1/4-20 x 1/4 Pozidriv oval ctk. hd. (4)	65 to * - FL, FLH, FX
10	2775	SCREW, 1/4-20 x 1/2 Pozidriv pan hd.	65 to * - FL, FLH

NOTE: Asterisk (*) indicates part is used for latest model year shown on cover.

FRONT CHAIN HOUSING (CONT'D)

INDEX	PART NO.	NAME	USED ON
11	2774	SCREW, 1/4-20 x 5/8 Passivd riv pan hd. (2)	65 to * - FL, FLH, FX
12	2808	SCREW, No. 8-32 x 3/8 Passivd riv pan hd.	Late 62 to 64 - FL, FLH
13	3831	BOLT, 1/4-20 x 1 hex. hd. 10/1000 (2)	41 to 64 - FL, FLH
14	3847	BOLT, 5/16-18 x 3/4 hex. hd. (3)	41 to 64 - FL, FLH
15	3891	BOLT, 5/16-18 x 7/8 hex. hd. (3)	65 to 69 - FL, FLH
16	4017	BOLT, 5/16-18 x 1 hex. hd. (2)	70 to * - FL, FLH, FX
	4321	BOLT, 5/16-18 x 1 hex. hd. (2) (with safety wire holes)	Late 70 to * - FL, FLH, FX
17	6324W	WASHER, 1/16 x 14	70 to * - FL, FLH, FX
18	6388H6	WASHER, 7/16 x 23/32	74 to * - FL, FLH, FX
19	6703	WASHER, 1/4 x 5/8 x 1/16 (2)	41 to 64 - FL, FLH
20	7115	LOCKWASHER, No. 8 int. 8 ext. teeth	Late 62 to 64 - FL, FLH
21	7688	NUT, 1/4-20 x 1/4 x 1/2 hex. (2)	41 to 64 - FL, FLH
22	7775	LOCKNUT, 3/8-24 x 7/16 x 9/16 hex. (4)	65 to * - FL, FLH, FX
23	8512	RIVET, 3/16 x 5/16	41 to 64 - FL, FLH
24	9037	BEARING, chain housing	65 to 69 - FL, FLH
	9040	BALL BEARING	70 to * - FL, FLH, FX
25	9061	NEEDLE BEARING	65 to * - FL, FLH
26	11125	O-RING, chain housing cover	70 to * - FL, FLH, FX
27	13014	OIL SEAL	70 to * - FL, FLH, FX
28	24811-28A	STUD, water shaft housing (2)	65 to * - FL, FLH, 73 to * - FX
29	25414-70	COVER, clutch, chain guard	70 to * - FL, FLH, FX
30	25414-70	GASKET, chain & clutch cover	70 to * - FL, FLH, FX
31	31478-65	TOP SCREW, chain housing	65 to * - FL, FLH, 73 to * - FX
32	31479-65	BOLT LOCK	65 to 69 - FL, FLH
	45830-68	PLUG, chain housing vent hole	65 - FL, FLH
33	50100-65	BUMPER, jolly stand	65 to 69 - FL, FLH
34	50100-70	BUMPER, jolly stand	70 to * - FL, FLH, FX
35	62546-65	MAGNETIC DRAIN PLUG	65 to * - FL, FLH, FX
36	62568-65	COVER, chain housing (with needle bearing 9063)	65 to 69 - FL, FLH
	62568-70	COVER, chain housing (with needle bearing 9063)	70 to * - FL, FLH, FX, FXE
38	62512-70	INSPECTION COVER, camshaft (with footpeg hole)	71 to 73 - FX
	62513-70	INSPECTION COVER, chrome (with footpeg hole)	71 to 73 - FX
40	62514-65	COVER, starter hole	65 to 69 - FL, FLH; 71 to 72 - FX
41	62518-65	GASKET, starter hole cover	65 to 69 - FL, FLH; 71 to * - FX
42	62540-36	GASKET, housing cover	41 to 64 - FL, FLH
43	62540-65A	GASKET, housing cover	65 to * - FL, FLH, FX
45	62549-70	CHAIN OILER FITTING, chain housing	70 to * - FL, FLH, FX
46	62556-74	BAFFLE PLATE, front chain housing	66 to 72 - FL, FLH, FX
48	62565-36	GASKET, clutch cover	41 to 64 - FL, FLH
49	62567-36	GASKET, inspection cover (2)	41 to 64 - FL, FLH
50	62567-65	GASKET, inspection cover	65 to * - FL, FLH, FX
51	62572-65	INSPECTION COVER	65 to * - FL, FLH
53	62578-74	INSPECTION COVER, zinc - with bushing and oil seal	74 to * - FX
54	62579-74	INSPECTION COVER, chrome - with bushing and oil seal	74 to * - FX
55	62583-34	BUSHING, shifter shaft	74 to * - FX
56	62617-65A	FRONT CHAIN HOUSING	65 to 69 - FL, FLH
57	62619-70	FRONT CHAIN HOUSING	70 to * - FL, FLH
58	62619-71	FRONT CHAIN HOUSING	71 to 73 - FX
59	62619-73	FRONT CHAIN HOUSING	73 - FX
60	62619-74	FRONT CHAIN HOUSING	74 to * - FX
62	62623-35	GASKET, chain housing back	55 to 64 - FL, FLH
63	62640-29	SPRING, chain cover belt (2)	41 to 64 - FL, FLH
64	62641-34	OIL SEAL, shifter shaft	74 to * - FX
65	62644-65	COVER, switch Nm	65 to * - FL, FLH; 73 to * - FX
66	62646-65	RETAINER, switch hole cover	65 to * - FL, FLH; 73 to * - FX
67	62650-54A	PLUG, chain housing	54 to 64 - FL, FLH
68	62654-55	LOCKWASHER, spring clip (3)	55 to 64 - FL, FLH
69	62655-55	SPACER, spring clip (3)	55 to 64 - FL, FLH
70	62653-61	FITTING, vent hose	66 to * - FL, FLH, FX

NOTE: Asterisk (*) indicates part is used for latest model year shown on cover.



REAR CHAIN GUARD

INDEX NO.	PART NO.	NAME	USED ON
1	3074W	BOLT, 5/16-24 x 3/4 hex, hd.	63 to * - FL, FLH
2	4012	BOLT, 5/16-24 x 1-1/8 hex, hd.	58 to 75 - FL, FLH
3	4014W	BOLT, 5/16-24 x 1-1/4 hex, hd.	76 to * - FL, FLH
4	5926B	SPACER, chain guard - front mounting	63 to 72 - FL, FLH
			74 to * - FL, FLH
5	4107B	WASHER, 5/16 x 3/16 x 1/8 (2)	63 to * - FL, FLH
6	4102	WASHER, 5/16 x 1/16 x 1 SS.	71 to * - FL, FLH
7	7542	LOCKWASHER, rear chain guard mounting, 5/16 (3)	58 to * - FL, FLH
8	7544	JAMNUT, 5/16-24 x 3/16 x 1/2 (panel kit)	65 to * - FL, FLH
9	11400	GROMMET, panel bottom bracket (2)	65 to * - FL, FLH
10	11411	GROMMET, chain guard mounting	63 to * - FL, FLH
11	24827-66	STUD, transmission cover (panel kit)	65 to * - FL, FLH
12	60302-61	REAR CHAIN GUARD	63 to * - FL, FLH
13	60577-69	PANEL KIT, right side - chrome	65 to * - FL, FLH
14	60586-69	BRACKET, panel - bottom	65 to * - FL, FLH
15	60587-69	BRACKET, panel - front	65 to * - FL, FLH
16	60588-69	BRACKET, panel - top	65 to * - FL, FLH
17	60589-69	STUD (2)	65 to * - FL, FLH
18	60591-69	CLIP, panel stud (2)	65 to * - FL, FLH
19	91089-58	SPACER, transmission cover stud (2) (panel kit)	65 to * - FL, FLH



GAS TANK

INDEX NO.	PART NO.	NAME	USED ON
1	390W	BOLT, 5-16-24 x 1 hex. hd. (3)	41 to * - FL, FLH, 71 & 72 - FX
2	4063W	BOLT, 5-16-24 x 3-3/4 hex. hd.	73 to * - FX
3	4725	BOLT, 5-16-24 x 2-3/4 hex. hd.	41 to * - FL, FLH, FX
4	5988	SPACER, tank - front (2)	73 to * - FX
5	6260P	THRUST WASHER (as required)	Late 65 to 74 - FL, FLH, FX
	6161	SHIM, gas valve (4)	66 to 69 - FL, FLH
6	6324W	WASHER, 5/16 x 3/16 x 3/32 (2)	63 to 75 - FL, FLH, FX
7	6327B	WASHER, 5/16 x 3/4 x 3/16 (3)	41 to * - FL, FLH, 71 & 72 - FX
8	6804	WASHER, 1/2 x 3/8 x 1/16 (6)	73 to * - FX
9	7036	LOCKWASHER, 3/8 (2)	73 to * - FX
10	7041	LOCKWASHER, 5/16	41 to * - FL, FLH, FX
11	7127	LOCKWASHER, 5/16 internal teeth (2)	63 to Late 71 - FL, FLH, FX
12	7725	LOCKNUT, 5-16/24 x 31-32 x 1/2 hex. (2)	74 to 75 - FL, FLH

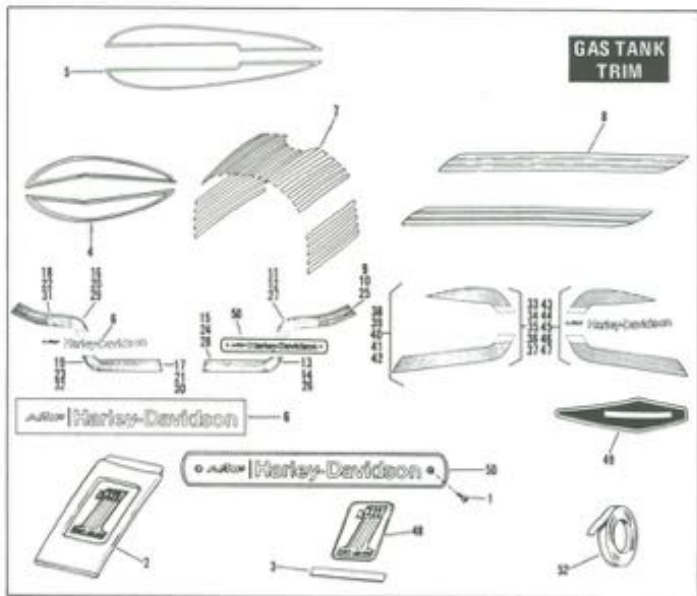
GAS TANK (CONT'D)

INDEX NO.	PART NO.	NAME	USED ON
13	7727	LOCKNUT, 5/16-24 x 1/4 x 1/2 hex.	73 to * - FX
14	7753	NUT, 5/16-24 x 17/64 x 1/2 hex. (4)	41 to * - FL, FLH, 71 & 72 - FX
15	7763	NUT, 5/8-16 x 5/16 x 9/16 hex. (2)	73 to * - FX
16	9913	WIRE CLAMP (1/2 in. o. d. hose) (5)	Late 66 to * - FL, FLH, FX
	9958	WIRE CLAMP (3/16 in. o. s. hose) (4)	Early 66 - FL, FLH
17	1014	BAND CLAMP (1/2 o. d. hose) (2)	67 to * - FL, FLH, FX
18	1190P	LOCK RING (2)	Late 69 to 74 - FL, FLH, FX
19	61302-73	CAP, gas tank (vented)	Late 73 to * - FL, FLH, FX
20	61103-36	CAP, gas tank (vented)	45 to Early 73 - FL, FLH; 71 & 72 - FX Early 73 - FX
	61303-72P	CAP, gas tank	Late 73 to * - FL, FLH
21	61303-73	CAP, gas tank (not vented)	73 to * - FX
22	61114-48	GASKET, right tank cap	41 to * - FL, FLH, FX
23	61116-65	GASKET, left tank cap	65 to * - FL, FLH, 71 & 72 - FX
24	61122-39	FILLER STRIP, rubber	41 to * - FL, FLH, 71 & 72 - FX
25	61139-73	MOUNTING CUSHION, gas tank - front	73 to * - FX
26	61132-45P	RUBBER BUSHING, gas tank - rear (2)	73 to * - FX
27	61202-67	GAS TANK, right (3 gal.)	67 to * - FL, FLH
28	61214-73A	GAS TANK	73 to * - FX
	61217-69A	GAS TANK, right (3-1/2 gal.)	69 to * - FL, FLH, 71 & 72 - FX
29	61229-67A	GAS TANK, left (3 gal.)	67 to * - FL, FLH
	61230-69	GAS TANK, left (3-1/2 gal.)	69 to Late 71 - FL, FLH; 71 & 72 - FX
30	61546-74	PLATE, gas tank mounting spring (2)	74 to * - FX
31	61550-73A	SPRING, gas tank (For 1973 also order 2 - 61546-74)	73 to * - FX
32	61558-73	MOUNTING BRACKET, gas tank - rear (2)	73 to * - FX
33	61562-66P	RUBBER MOUNT, gas tank	73 to * - FX
34	61605-36	REAR MOUNTING STUD (2)	41 to 75 - FL, FLH, 71 & 72 - FX
35	62096-65	FILTER SCREEN, fuel valve (Nylite)	65 to 74 - FL, FLH, FX
36	62123-66P	RUBBER BUMPER, gas tank (2)	73 to * - FX
37	62125-53B	FUEL VALVE ASSEMBLY	66 to 74 - FL, FLH, FX
38	62129-73	FUEL VALVE, without filter or nut	73 to * - FL, FLH, FX
39	62141-50	KNOB, fuel valve	66 to 69 - FL, FLH
	62141-65P	KNOB, fuel valve	Late 69 to 74 - FL, FLH, FX
40	62142-50	KNOB, fuel valve (reserve)	66 to 69 - FL, FLH
	62142-65P	KNOB, fuel valve (reserve)	Late 69 to 74 - FL, FLH, FX
41	62150-50	RETAINING RING, valve knob (2)	66 to 69 - FL, FLH
42	62161-75	NUT, fuel valve	75 to * - FL, FLH, FX
42A	62162-75	FILTER, fuel valve	75 to * - FL, FLH, FX
47	62270-32	CORK WASHER, gas strainer (2)	50 to 65 - FL, FLH
48	62330-66A	TEE, vent line	66 to 70 - FL, FLH
50	62960-50	SLEEVE, gas line (2)	50 to 65 - FL, FLH
52	63061-68	HOSE, 1 1/4 I. D. x 1/2 O. D. fabric reinforced rubber, 25 ft. lg. NOTE: Hoses will only be sold in bulk length under Part No. 63061-68. Cut correct lengths from this hose.	59 to * - FL, FLH, FX

GAS TANK TRIM

1	2061W	SCREW, hexastate, No. 4-40 x 3/16 Phillips Hd. (4)	63 to * - FL, FLH, 71 & 72 - FX
2	61125-72	PLASTIC PANEL, with tape and No. 1 Name Transfer	71 & 72 - FX
3	61127-71	TAPE, tank panel (2)	71 to * - FX
4	61144-71	DECAL, top left - black	71 - FL, FLH, FX
	61145-71	DECAL, bottom left - black	71 - FL, FLH, FX
	61146-71	DECAL, top left - blue	71 - FL, FLH, FX
	61147-71	DECAL, bottom left - red	71 - FL, FLH, FX
	61148-71	DECAL, top right - black	71 - FL, FLH, FX
	61149-71	DECAL, bottom right - black	71 - FL, FLH, FX
	61150-71	DECAL, top right - blue	71 - FL, FLH, FX
	61151-71	DECAL, bottom right - red	71 - FL, FLH, FX

NOTE: Asterisk (*) indicates part is used for latest model year shown on cover.



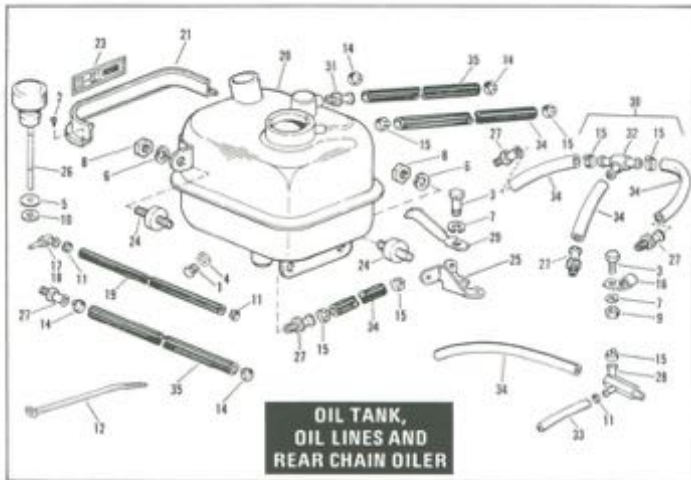
GAS TANK TRIM (CONT'D)

INDEX	PART		USED ON
NO.	NO.	NAME	
	61167-71	NAME TRANSFER - "No. 1"	71 - FX
	61170-71	NAME TRANSFER - "AMF"	71 - FL, FLH, FX
5	61146-72	DECAL, tank side - red, white & blue (left)	72 - FL, FLH, FX
	61148-72	DECAL, tank side - black with white outline (2)	72 - FL, FLH, FX
	61149-72	DECAL, tank side - black with red outline (2)	72 - FL, FLH, FX
	61150-72	DECAL, tank side - red, white & blue (right)	72 - FL, FLH, FX
6	61142-72	NAME TRANSFER (2)	73 & 74 - FX
7	61148-73	DECAL, tank side - lower left (blue & white)	73 - FL, FLH
	61148-73	DECAL, tank side - lower right (silver)	73 - FL, FLH
	61149-73	DECAL, tank top - right (red)	73 - FL, FLH
	61150-73	DECAL, tank side - lower right (blue & white)	73 - FL, FLH
	61153-73	DECAL, tank side - lower left (silver)	73 - FL, FLH
	61154-73	DECAL, tank top - right (silver)	73 - FL, FLH
	61155-73	DECAL, tank top - left (red)	73 - FL, FLH
	61156-73	DECAL, tank top - left (silver)	73 - FL, FLH
	61170-73	TRIM, gas tank - left & right (white & blue) (2)	73 - FX
	61171-73	TRIM, gas tank - top (red)	73 - FX
	61178-73	TRIM, gas tank - top (silver)	73 - FX
	61179-73	TRIM, gas tank - left & right (silver) (2)	73 - FX

GAS TANK TRIM (CONT'D)

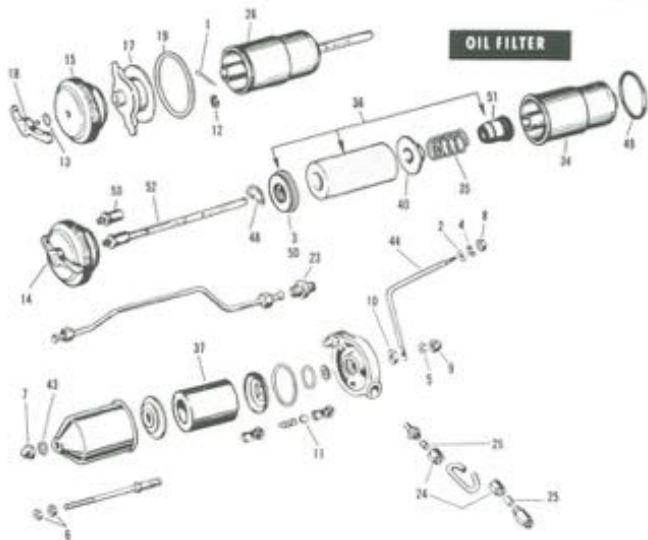
INDEX	PART NO.	NO.	NAME	USED ON
8	61149-74		TRIM, tank side - upper right (red, white & blue)	74 - FL, FLH
	61150-74		TRIM, tank side - upper right	74 - FL, FLH
	61151-74		TRIM, tank side - upper left	74 - FL, FLH
	61152-74		TRIM, tank side - upper left (red, white & blue)	74 - FL, FLH
	61161-74		TRIM, gas tank - top (FX 1200)	74 & 75 - FX
	61162-74		TRIM, gas tank - top (FXE 1200)	74 & 75 - FX
	61207-74		TRIM, tank side - lower right	74 - FL, FLH
	61208-74		TRIM, tank side - lower right (red, white & blue)	74 - FL, FLH
	61209-74		TRIM, tank side - lower left	74 - FL, FLH
	61260-74		TRIM, tank side - upper right	74 - FX
	61261-74		TRIM, tank side - lower right	74 - FX
	61262-74		TRIM, tank side - upper left	74 - FX
	61263-74		TRIM, tank side - lower left	74 - FX
	61264-74		TRIM, tank side - upper right (red, white & blue)	74 - FX
	61265-74		TRIM, tank side - lower right (red, white & blue)	74 - FX
	61266-74		TRIM, tank side - upper left (red, white & blue)	74 - FX
	61267-74		TRIM, tank side - lower left (red, white & blue)	74 - FX
	61268-74		TRIM, tank side - lower left (red, white & blue)	74 - FL, FLH
9	61148-75		TRIM, tank side - upper right (red, white & blue)	75 - FL, FLH
10	61150-75		TRIM, tank side - upper right (green, blue & black)	75 - FL, FLH
11	61151-75		TRIM, tank side - upper left (green, blue & black)	75 - FL, FLH
12	61152-75		TRIM, tank side - upper left (red, white & blue)	75 - FL, FLH
13	61217-75		TRIM, tank side - lower right (green, blue & black)	75 - FL, FLH
14	61258-75		TRIM, tank side - lower right (red, white & blue)	75 - FL, FLH
15	61259-75		TRIM, tank side - lower left (green, blue & black)	75 - FL, FLH
16	61260-75		TRIM, tank side - upper right (green, blue & black)	75 - FX
17	61261-75		TRIM, tank side - lower right (green, blue & black)	75 - FX
18	61262-75		TRIM, tank side - upper left (green, blue & black)	75 - FX
19	61263-75		TRIM, tank side - lower left (green, blue & black)	75 - FX
20	61264-75		TRIM, tank side - upper right (red, white & blue)	75 - FX
21	61265-75		TRIM, tank side - lower right (red, white & blue)	75 - FX
22	61266-75		TRIM, tank side - upper left (red, white & blue)	75 - FX
23	61267-75		TRIM, tank side - lower left (red, white & blue)	75 - FX
24	61268-75		TRIM, tank side - lower left (red, white & blue)	75 - FL, FLH
25	61370-75		TRIM, tank side - upper right (brown, pink & purple)	75 - FL, FLH
26	61371-75		TRIM, tank side - lower right (brown, pink & purple)	75 - FL, FLH
27	61372-75		TRIM, tank side - upper left (brown, pink & purple)	75 - FL, FLH
28	61373-75		TRIM, tank side - lower left (brown, pink & purple)	75 - FL, FLH
29	61374-75		TRIM, tank side - upper right (brown, pink & purple)	75 - FX
30	61375-75		TRIM, tank side - lower right (brown, pink & purple)	75 - FX
31	61376-75		TRIM, tank side - upper left (brown, pink & purple)	75 - FX
32	61377-75		TRIM, tank side - lower left (brown, pink & purple)	75 - FX
	61342-76		NAME TRANSFER (2)	76 to * - FX
33	61479-76		TRIM KIT, gas tank - right (black)	76 - FL, FLH
34	61471-76		TRIM KIT, gas tank - right (brown)	76 - FL, FLH
35	61472-76		TRIM KIT, gas tank - right (blue)	76 - FL, FLH
36	61473-76		TRIM KIT, gas tank - right (red)	76 - FL, FLH
37	61474-76		TRIM KIT, gas tank - right (orange)	76 - FL, FLH
38	61475-76		TRIM KIT, gas tank - left (black)	76 - FL, FLH
39	61476-76		TRIM KIT, gas tank - left (brown)	76 - FL, FLH
40	61477-76		TRIM KIT, gas tank - left (blue)	76 - FL, FLH
41	61478-76		TRIM KIT, gas tank - left (red)	76 - FL, FLH
42	61479-76		TRIM KIT, gas tank - left (orange)	76 - FL, FLH
43	61491-76		TRIM KIT, gas tank (black)	76 - FX
44	61492-76		TRIM KIT, gas tank (blue)	76 - FX
45	61493-76		TRIM KIT, gas tank (red)	76 - FX
46	61494-76		TRIM KIT, gas tank (brown)	76 - FX
47	61495-76		TRIM KIT, gas tank (orange)	76 - FX
48	61157-72		NAME TRANSFER - "No. 1"	72 to * - FX
49	61761-70		TRANSFER (2)	70 - FL, FLH
50	61771-72		NAMEPLATE, silver (1976 & later 3-1/2 gal. tank only) (2)	72 to 75 - FL, FLH, FX
	61772-76		NAMEPLATE	76 to * - FL, FLH
52	61795-68		WHITE STRIPING TAPE (50 yd. roll)	68 to * - FL, FLH, FX

NOTE: Asterisk (*) indicates part is used for latest model year shown on cover.



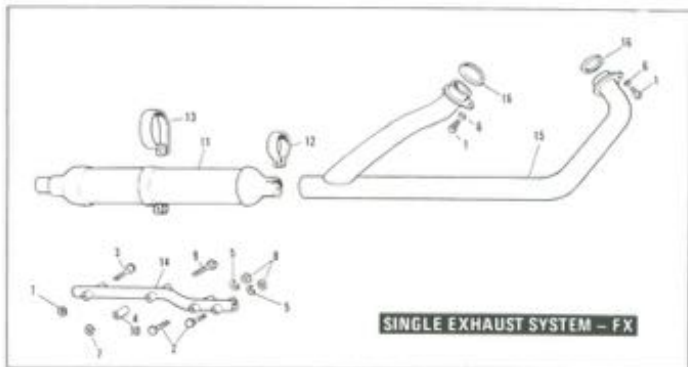
OIL TANK, OIL LINES, AND REAR CHAIN OILER

INDEX NO.	PART NO.	NAME	USED ON
1	704	DRAIN PLUG	61 to * - FL, FLH, FX
2	2073W	SCREW, No. 4-24 x 1/4 self-tapping flat hd. (2)	63 to * - FL, FLH, FX
3	2014HW	BOLT, 5/16-24 x 3/4 hex. hd. (2)	63 to * - FL, FLH, FX
4	6700B	WASHER, 5/8 x 13/16 x 1/32	61 to * - FL, FLH, FX
5	6242W	WASHER, 1/4 x 9/16 x 1/32	70 to * - FL, FLH, FX
6	7030	LOCKWASHER, 1/4	58 to * - FL, FLH, FX
7	7040	LOCKWASHER, 5/16	61 to * - FL, FLH, FX
8	7688	NUT, 1/4-20 x 1/4 x 3/2 hex. (2)	63 to * - FL, FLH, FX
9	7753	NUT, 5/16-24 x 1/4 x 1/2 hex.	67 to * - FL, FLH, FX
10	6126	SPEED NUT, oil cap	70 to * - FL, FLH, FX
11	9990	HOSE CLAMP, oiler hose - 11/32 dia. (2)	63 to * - FL, FLH, FX
12	3000E	HOSE STRAP, oil line	63 to * - FL, FLH, FX
	30013	CLAMP, oil line hoses - 5/8 dia. (6)	Late 63 to 66 - FL, FLH
14	30014	CLAMP, oil line hoses - 1/2 dia. (2)	Late 63 to * - FL, FLH, FX
15	30020	CLAMP, oil line hoses, 11/16 dia. (3)	Late 61 to * - FL, FLH, FX
16	24920-67	CLAMP, rear chain oiler hose	67 to * - FL, FLH, FX
17	60549-65	CHAIN OILER FITTING, chain housing	63 to 69 - FL, FLH
18	60549-70	CHAIN OILER FITTING, chain housing	70 to * - FL, FLH, FX
19	60504-65	HOSE, front chain oiler	63 to * - FL, FLH, FX
20	62504-65A	OIL TANK	63 to * - FL, FLH, FX
21	62504-65	EDGING, oil tank (without "M" decal)	63 to * - FL, FLH, FX
23	62515-65	NAME TRANSFER, "M"	63 to 69 - FL, FLH
24	62963-65	RUBBER MOUNT (2)	63 to * - FL, FLH, FX
25	62576-65A	BRACKET, oil tank mounting	63 to * - FL, FLH, FX
26	62625-70	FILLER CAP, with dipstick	70 to * - FL, FLH, FX
27	63553-41	FITTING, feed and oiler return lines (2)	63 to * - FL, FLH, FX
28	63540-70	TEE, rear chain oiler	70 to * - FL, FLH, FX
29	63549-65	BRACKET, oil line	63 to * - FL, FLH, FX
30	63543-65	CHAIN HOUSING VENT KIT	63 to * - FL, FLH
31	63578-62	FITTING, vent line	63 to * - FL, FLH, FX
32	63580-66A	TEE, vent line	66 to * - FL, FLH, FX
33	63582-68	HOSE, rear chain oiler	68 to * - FL, FLH, FX
		NOTE: Hoses will only be sold in bulk lengths under Part Nos. 63500-68 and 63501-68. Cut correct lengths from these hoses.	
34	63500-68	HOSE, 3/8 I.D. x 5/8 O.D., fabric reinforced rubber, 25 ft. lg.	58 to * - FL, FLH, FX
35	63501-68	HOSE, 1/4 I.D. x 1/2 O.D., fabric reinforced rubber, 25 ft. lg.	59 to * - FL, FLH, FX

OIL FILTER

OIL FILTER

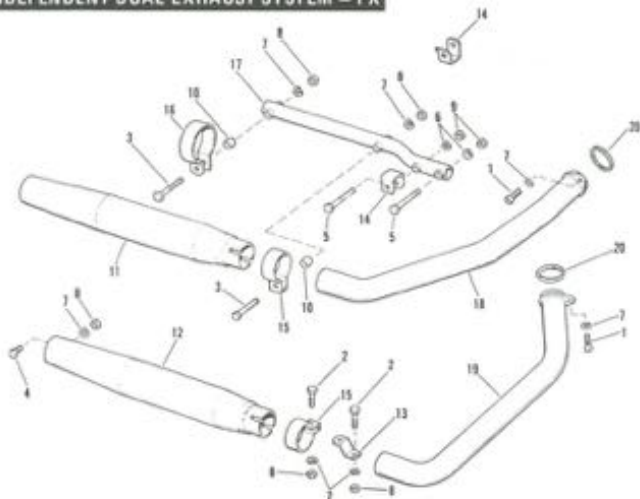
INDEX NO.	PART NO.	NAME	USED ON
1	534	COYTER PIN, 3/32 x 5/8	58 to * - FL, FLH, FX
2	636W	WASHER, 5/16 x 5/8 x 1/16	41 to 64 - FL, FLH
3	6617	WASHER, 7/32 x 1/2 x 1/16 x 3/4	58 to Early 67 - FL, FLH
4	7941	LOCKWASHER, 5/16	41 to 64 - FL, FLH
5	7938	LOCKWASHER, 3/8	41 to 64 - FL, FLH
6	7688	NUT, 1/4-20 x 1/4 x 1/2 Hex. (2)	41 to 64 - FL, FLH
7	7717W	ACORN NUT, filter stud	41 to 64 - FL, FLH
8	7715	NUT, 5/16-24 x 1/2 Hex x 1/2 Hex.	41 to 64 - FL, FLH
9	7775	LOCKNUT, 1/4-24 x 1/2 x 5/16 Hex.	41 to 64 - FL, FLH
10	7651W	JAMNUT, 1/4-24 x 7/32 x 9/16 Hex. (2)	41 to 64 - FL, FLH
11	8658	STEEL BALL, 3/4 in.	55 to 64 - FL, FLH
12	11012	RETAINING RING	Late 66 to * - FL, FLH, FX
13	11035	O-RING, cap top	Late 66 to * - FL, FLH, FX
14	62610-52A	CAP ASSEMBLY	58 to * - FL, FLH, FX
15	62611-66	CAP TOP	Late 66 to * - FL, FLH, FX
17	62612-66	LOCKING NUT, filter cap	Late 66 to * - FL, FLH, FX
18	62620-66	SCREW, filter cap	Late 66 to * - FL, FLH, FX
19	62628-66	GASKET, oil filter cap	Late 66 to * - FL, FLH, FX
24	63621-66	NOT, oil line (3)	49 to 64 - FL, FLH
25	63629-66	RUBBER SLEEVE, oil line (3)	49 to 64 - FL, FLH
26	6376-65A	OIL FILTER ASSEMBLY, leak cap	65 to 69 - FL, FLH
34	63626-51	CUP, oil filter	58 to * - FL, FLH, FX
35	63632-67	SPRING, filter cap	Late 67 to * - FL, FLH, FX
36	63639-61	FILTER ELEMENT KIT	53 to * - FL, FLH, FX
37	63640-68A	FILTER ELEMENT	41 to 64 - FL, FLH
40	63646-67	LOWER RETAINER, filter element	41 to 64 - FL, FLH, FX
43	63658-69	ASBESTOS WASHER, filter stud	41 to 64 - FL, FLH
44	63660-56A	BRACKET, oil filter mounting	58 to 64 - FL, FLH
48	63676-61	CLIP, oil filter	58 to * - FL, FLH, FX
49	63679-52	O-RING	58 to * - FL, FLH, FX
50	63681-67	UPPER SEAL, oil filter	Late 67 to * - FL, FLH, FX
51	63682-61	LOWER SEAL, oil filter	Late 67 to * - FL, FLH, FX
52	63685-61	VALVE, with gasket	65 to 69 - FL, FLH
53	63686-70	VALVE, leak gasket	79 to * - FL, FLH, FX



SINGLE EXHAUST SYSTEM - FX

INDEX NO.	PART NO.	NAME	USED ON
1	3203W	SCREW, 5/16-18 x 3/4 socket hd. (2)	75 to Early 75 - FX
2	4415	BOLT, 3/8-24 x 3 hex. hd. (2)	75 to Early 75 - FX
3	4730	BOLT, 5/16 x 2-1/4 hex. hd.	75 to Early 75 - FX
4	5882W	SPACER, muffler front clamp	Late 72 to Early 75 - FX
5	7030	LOCKWASHER, 3/8 (2)	75 to Early 75 - FX
6	7041	LOCKWASHER, 5/16	75 to Early 75 - FX
7	7725	LOCKNUT, 5/16-24 x 31/32 x 1/2 hex. (2)	75 to Early 75 - FX
8	7800W	NUT, 3/8-24 x 5/16 x 9/16 hex. (2)	75 to Early 75 - FX
9	30015-71	BOLT, 5/16-24 x 3-1/4 hex. hd.	75 to Early 75 - FX
10	58302-49	SPACER	75 to Early 75 - FX
11	65240-41A	MUFFLER, (single)	75 to Early 75 - FX
12	65276-62	CLAMP, muffler	75 to Early 75 - FX
13	65293-56	HANGER, muffler	75 to Early 75 - FX
14	65318-58A	SUPPORT TUBE, muffler	75 to Early 75 - FX
15	65463-71A	PIPE ASSEMBLY	75 to Early 75 - FX
16	65834-68	GASKET, exhaust port (2)	75 to Early 75 - FX

INDEPENDENT DUAL EXHAUST SYSTEM – FX

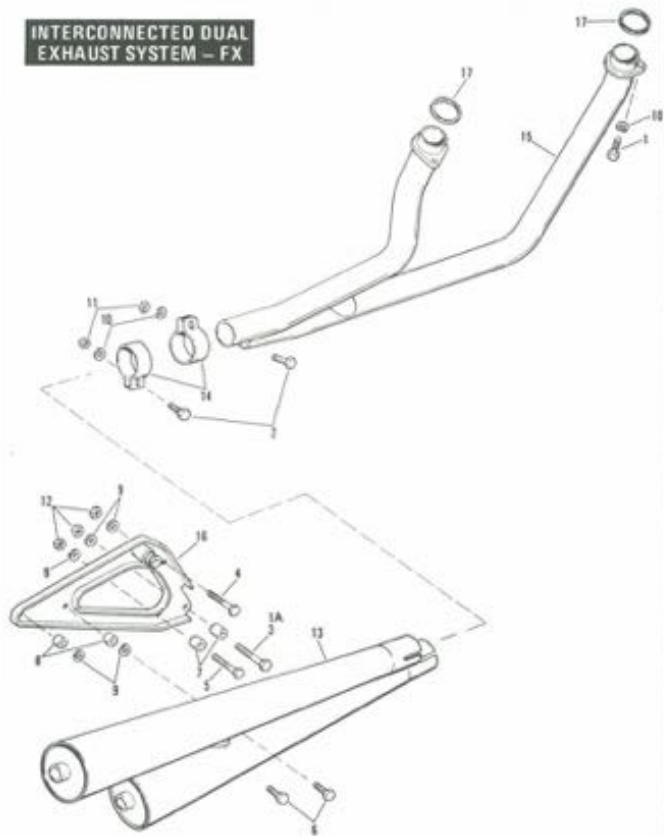


INDEPENDENT DUAL EXHAUST SYSTEM – FX

INDEX NO.	PART NO.	NAME	USED ON
1	325W	SCREW, 5/16-18 x 3/4 socket hd. (2)	73 to * – FX
2	4014W	BOLT, 5/16-24 x 1-1/4 hex. hd. (2)	73 to * – FX
3	4084W	BOLT, 5/16-24 x 2-15/16 hex. hd. (2)	73 to * – FX
4	4311	BOLT, 5/16-24 x 5/8 hex. hd.	73 to * – FX
5	4415	BOLT, 3/8-24 x 3 hex. hd. (2)	73 to * – FX
6	7038	LOCKWASHER, 3/8 (2)	73 to * – FX
7	7041	LOCKWASHER, 5/16 (7)	73 to * – FX
8	7755	NUT, 5/16-24 x 1/4 x 1/2 hex. (5)	73 to * – FX
9	7800W	NUT, 3/8-24 x 5/16 x 9/16 hex. (2)	73 to * – FX
10	58102-43	SPACER, rear muffler (2)	73 to * – FX
11	65235-65A	MUFFLER, rear	73 to * – FX
12	65235-73	MUFFLER, front	73 to * – FX
13	65268-73	MOUNTING BRACKET, front muffler – front	73 to * – FX
14	65272-73	MOUNTING BRACKET, front muffler – rear	73 to * – FX
15	65276-62	CLAMP, muffler (2)	73 to * – FX
16	65279-57	HANGER, rear muffler	73 to * – FX
17	65307-73	SUPPORT TUBE, muffler	73 to * – FX
	65430-73	DUAL EXHAUST SYSTEM KIT	73 to * – FX
18	65464-73	EXHAUST PIPE, rear	73 to * – FX
19	65496-73	EXHAUST PIPE, front	73 to * – FX
20	65834-68	GASKET, exhaust port (2)	73 to * – FX

NOTE: Asterisk (*) indicates part is used for latest model year shown on cover.

**INTERCONNECTED DUAL
EXHAUST SYSTEM – FX**

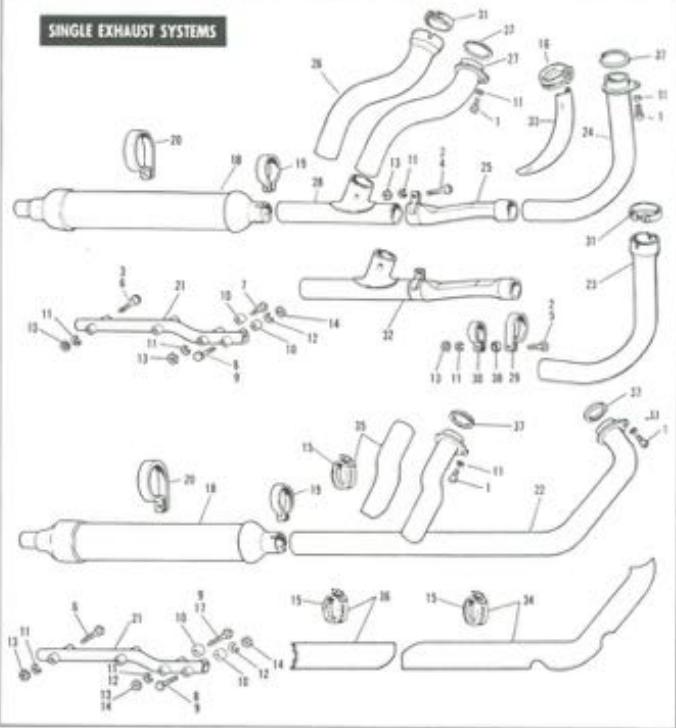


INTERCONNECTED DUAL EXHAUST SYSTEM – FX

INDEX NO.	PART NO.	NAME	USED ON
1	3251W	SCREW, 5/16-18 x 3/4 socket hd, (2)	Late 75 to * – FX
14	2545	BOLT, 5/8-24 x 2-1/4 hex, hd	Late 75 – FX
2	4014W	BOLT, 5/16-24 x 2-1/4 hex, (2)	Late 75 to * – FX
3	4401W	BOLT, 3/8-24 x 2-3/4 hex, hd	Late 75 to * – FX
4	4411	BOLT, 3/8-24 x 2-3/4 hex, hd, (3)	Late 75 to * – FX
5	4412	BOLT, 3/8-24 x 2-1/2 hex, hd	Late 75 to * – FX
6	4710W	BOLT, 3/8-16 x 1-1/4 hex, hd, (2)	Late 75 to * – FX
7	5761	SPACER, front – bracket muffler mounting (2)	Late 75 to * – FX
8	5762	SPACER, rear – bracket muffler mounting (2)	Late 75 to * – FX
9	7030	LOCKWASHER, 3/8 (9)	Late 75 to * – FX
10	7041	LOCKWASHER, 5/16 (4)	Late 75 to * – FX
11	7152	NUT, 5/16-24 x 1-8 x 1/2 hex, (2)	Late 75 to * – FX
12	7600W	NUT, 3/8-24 x 5/16 x 9/16 hex, (7)	Late 75 to * – FX
13	85255-75A	MUFFLER ASSEMBLY	Late 75 to * – FX
14	85276-62	CLAMP, muffler (2)	Late 75 to * – FX
15	85334-75	PIPE ASSEMBLY	Late 75 to * – FX
16	85760-75	MOUNTING BRACKET, muffler	Late 75 to * – FX
17	85834-68	GASKET, exhaust part (2)	Late 75 to * – FX

NOTE: Asterisk (*) indicates part is used for latest model year shown on cover.

SINGLE EXHAUST SYSTEMS

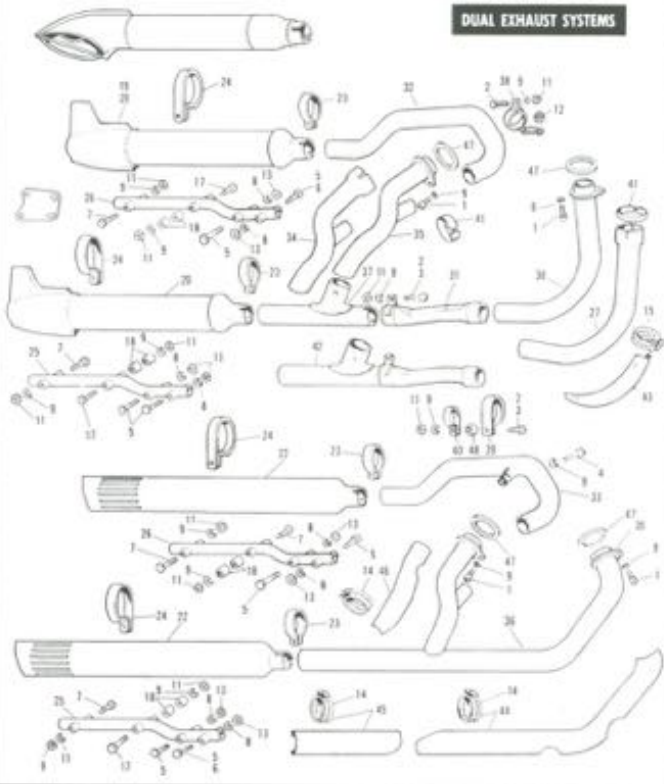


SINGLE EXHAUST SYSTEMS

INDEX NO.	PART NO.	NAME	USED ON
1	3201W	SCREW, 5/16 x 3/4 socket hd.	48 to * - FL, FLH
2	3860W	BOLT, 5/16-24 x 1 hex. hd. (2)	42 to * - FL, FLH
3	2074HW	BOLT, 5/16-24 x 3/4 hex. hd.	42 to * - FL, FLH
4	3896	BOLT, 5/16-24 x 7/8 hex. hd. (2)	42 to 62 - FL, FLH
	4012	BOLT, 5/16-24 x 1-1/8 hex. hd.	58 to * - FL, FLH
5	4020W	BOLT, 5/16-24 x 1-3/8 hex. hd.	45 to * - FL, FLH
6	4415	BOLT, 5/8-24 x 3 hex. hd. (2)	58 to * - FL, FLH
7	4420W	BOLT, 5/8-24 x 3-1/16 hex. hd. (2) (Not used with rear safety guard)	58 to * - FL, FLH
	4420R	BOLT, 5/8-24 x 4 hex. hd. (used with rear safety guard)	58 to * - FL, FLH
8	4710	BOLT, 5/16-24 x 2-1/4 hex. hd.	58 to * - FL, FLH
9	4725	BOLT, 5/16-24 x 2-3/4 hex. hd.	58 to 62 - FL, FLH
10	5042B	SPACER, muffler front clamp	60 to * - FL, FLH
11	7041	LOCKWASHER, 5/16	42 to * - FL, FLH
12	7038	LOCKWASHER, 3/8	58 to * - FL, FLH
13	7753	NUT, 5/16-24 x 1-1/2 hex.	58 to * - FL, FLH
14	7800R	NUT, 3/8-24 x 5/16 x 5/16 hex.	70 to * - FL, FLH
15	9955	CLAMP, exhaust pipe shield (2)	70 to * - FL, FLH
16	9991A	CLAMP, exhaust pipe guard (2)	62 to 68 - FL, FLH
	30013-71	BOLT, 5/16-24 x 3-1/4 hex. hd.	42 to 72 - FL, FLH
18	65295-41A	MUFFLER, truck	58 to * - FL, FLH
	65245-41A	MUFFLER, excavator (chrome)	58 to * - FL, FLH
19	65276-62	CLAMP, muffler front (2 in. dia.)	58 to * - FL, FLH
	65277-58	CLAMP, muffler front (2 in. dia.)	58 to 61 - FL, FLH
20	65293-58	HANGER, muffler - rear	58 to * - FL, FLH
21	65318-58A	SUPPORT TUBE, muffler, right side	58 to * - FL, FLH
22	65495-70	EXHAUST PIPE	70 to * - FL, FLH
23	65440-48	FRONT EXHAUST PIPE	48 to 65 - FL, FLH
24	65443-66	FRONT EXHAUST PIPE	66 to 69 - FL, FLH
25	65465-36	PIPE CONNECTOR, with fittings	42 to 64 - FL, FLH
26	65493-58	REAR EXHAUST PIPE	58 to 65 - FL, FLH
27	65493-66	REAR EXHAUST PIPE	66 to 69 - FL, FLH
28	65505-58	CONNECTOR, rear exhaust pipe	58 to 64 - FL, FLH
29	65512-37A	CLAMP, front pipe to frame	42 to 69 - FL, FLH
30	65513-58	CLAMP, front pipe to frame	58 to 69 - FL, FLH
31	65514-48A	PORT CLAMP (2)	48 to 65 - FL, FLH
	65527-65	SUPPORT PLATE, exhaust pipe (solo saddle only)	65 to 69 - FL, FLH
32	65539-45	CONNECTOR, rear exhaust pipe	65 to 69 - FL, FLH
	65658-58	EXHAUST PIPE COVER, with fittings	58 to 69 - FL, FLH
	65555-39	COVER, exhaust pipe, only	58 to 69 - FL, FLH
33	65565-65	REAR EXHAUST PIPE GUARD, with fittings	66 to 69 - FL, FLH
34	65561-70	SHIELD KIT, single exhaust pipe - front	70 to * - FL, FLH
35	65563-70	SHIELD KIT, single exhaust pipe - rear	70 to * - FL, FLH
36	65565-70	SHIELD KIT, front exhaust pipe	70 to * - FL, FLH
	65713-61	CLAMP, exhaust pipe guard	Like 61 to 64; 66 to 69 - FL, FLH
37	65634-66	GASKET, exhaust port (2)	Like 68 to * - FL, FLH
	67729-48	SCREW, exhaust pipe guard	Like 62 to 64; 66 to 69 - FL, FLH
38	99958-34	SPACER	65 to * - FL, FLH

NOTE: Asterisk (*) indicates part is used for latest model year shown on cover.

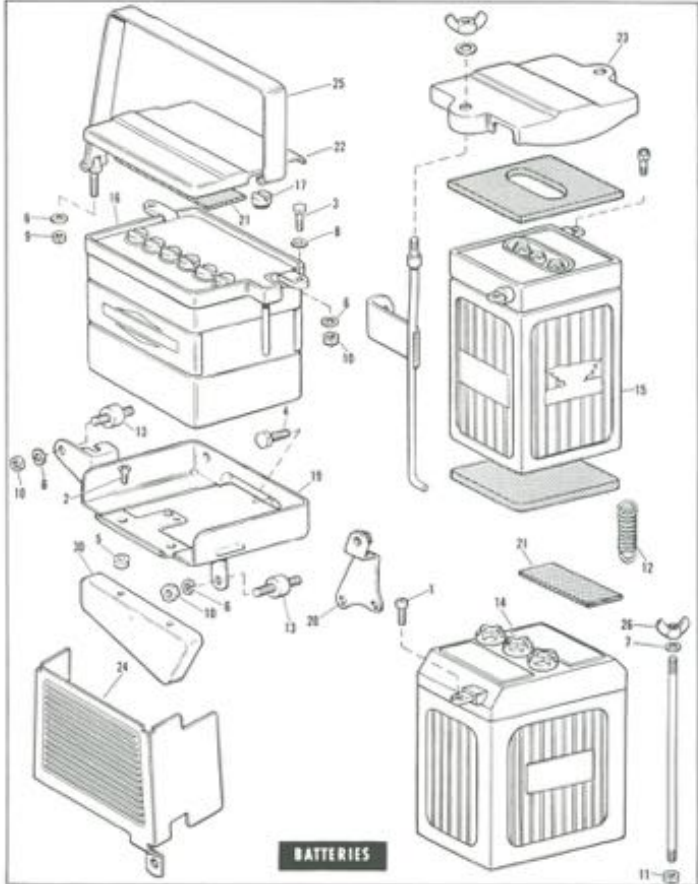
DUAL EXHAUST SYSTEMS



DUAL EXHAUST SYSTEMS

INDEX NO.	PART NO.	NAME	USED ON
1	3210W	SCREW, 5-16-18 x 3/4 socket hd.	66 to * - FL, FLH
2	3260W	BOLT, 5-16-24 x 1 hex. hd. (2)	41 to * - FL, FLH
3	3979HW	BOLT, 5-16-24 x 3/4 hex. hd.	41 to * - FL, FLH
	4012	BOLT, 5-16-24 x 1-1/8 hex. hd.	50 to * - FL, FLH
4	4017	BOLT, 5-16-18 x 1 hex. hd.	70 to * - FL, FLH
5	4189W	BOLT, 3/8-24 x 2 hex. hd.	58 to * - FL, FLH
6	4430W	BOLT, 3/8-24 x 3-7/16 hex. hd. (2) (Not used with rear safety guard)	58 to * - FL, FLH
	4440W	BOLT, 3/8-24 x 4 hex. hd. (2) (Used with rear safety guard)	58 to * - FL, FLH
7	4730	BOLT, 5-16-24 x 2-1/4 hex. hd.	58 to * - FL, FLH
8	7038	LOCKWASHER, 3/8	58 to * - FL, FLH
9	7041	LOCKWASHER, 5/16	41 to * - FL, FLH
11	7752	NUT, 5-16-24 x 1-4 x 1/2 hex.	58 to * - FL, FLH
12	7773	LOCKNUT, 3/8-24 x 1/16 x 9-14	58 to * - FL, FLH
13	7809W	NUT, 3/8-24 x 5/16 x 5-16 hex.	58 to * - FL, FLH
14	9955	CLAMP, exhaust pipe shield (6)	70 to * - FL, FLH
15	9954A	CLAMP, exhaust pipe guard (2)	55 to 69 - FL, FLH
17	30013-71	BOLT, 3/8-24 x 3-1/4 hex. hd. (3)	58 to * - FL, FLH
18	38312-43	SPACER (4)	58 to * - FL, FLH
20	65242-62A	MUFFLER (right) - extra quiet	62 to 66 - FL, FLH
20	65242-70A	MUFFLER, extra quiet (right) (2)	70 to * - FL, FLH
21	65276-62	CLAMP, muffler - front (2 in. dia.)	58 to * - FL, FLH
	65277-58	CLAMP, muffler - front (2 in. dia.)	58 to 61 - FL, FLH
24	65263-58	HANGER, muffler - rear	58 to * - FL, FLH
25	65238-58A	SUPPORT TUBE, muffler - right side	58 to * - FL, FLH
26	65238-58A	SUPPORT TUBE, muffler - left side	58 to * - FL, FLH
27	65443-48	EXHAUST PIPE, front	48 to 65 - FL, FLH
30	65443-66	EXHAUST PIPE, front	66 to 69 - FL, FLH
31	65465-36	PIPE CONNECTOR, with fittings	41 to 66 - FL, FLH
32	65494-61	EXHAUST PIPE, left - rear (cross-over)	58 to 64 - FL, FLH
	65494-65	EXHAUST PIPE, left - rear (cross-over)	65 to 69 - FL, FLH
33	65494-70	EXHAUST PIPE, left - rear (cross-over)	70 to * - FL, FLH
34	65496-63	EXHAUST PIPE, right - rear	58 to 63 - FL, FLH
35	65496-66	EXHAUST PIPE, right - rear	66 to 69 - FL, FLH
36	65496-70	EXHAUST PIPE	70 to * - FL, FLH
37	65525-61	CONNECTOR, rear exhaust pipe	62 to 64 - FL, FLH
38	65525-62	CLAMP, exhaust pipe to cylinder stud	62 to 64 - FL, FLH
39	65523-37A	CLAMP, front pipe to frame	42 to 69 - FL, FLH
40	65523-54	CLAMP, front pipe to frame	58 to 69 - FL, FLH
41	65529-45A	CLAMP, exhaust port (2)	48 to 65 - FL, FLH
	65527-65	SUPPORT PLATE, exhaust pipe (only satellite only)	65 to 69 - FL, FLH
42	65538-65	CONNECTOR, rear exhaust pipe	65 to 69 - FL, FLH
43	65565-65	GASKET, rear exhaust pipe with fittings	66 to 69 - FL, FLH
44	65565-70	SHIELD KIT, front exhaust pipe	70 to * - FL, FLH
45	65565-70	SHIELD KIT, dual exhaust pipe - front	70 to * - FL, FLH
46	65567-70	SHIELD KIT, dual exhaust pipe - rear	70 to * - FL, FLH
47	65804-68	GASKET, exhaust port (2)	70 to 80 to * - FL, FLH
48	70998-58	SPACER	69 to * - FL, FLH

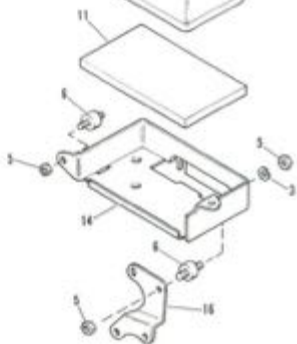
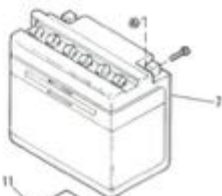
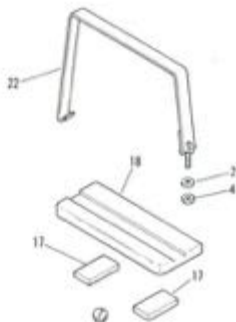
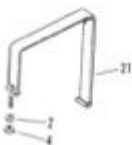
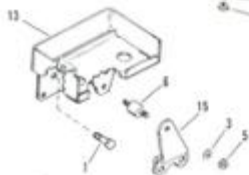
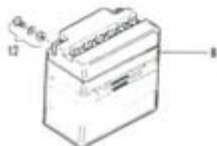
NOTE: Asterisk (*) indicates part is used for listed model year shown on cover.



BATTERIES

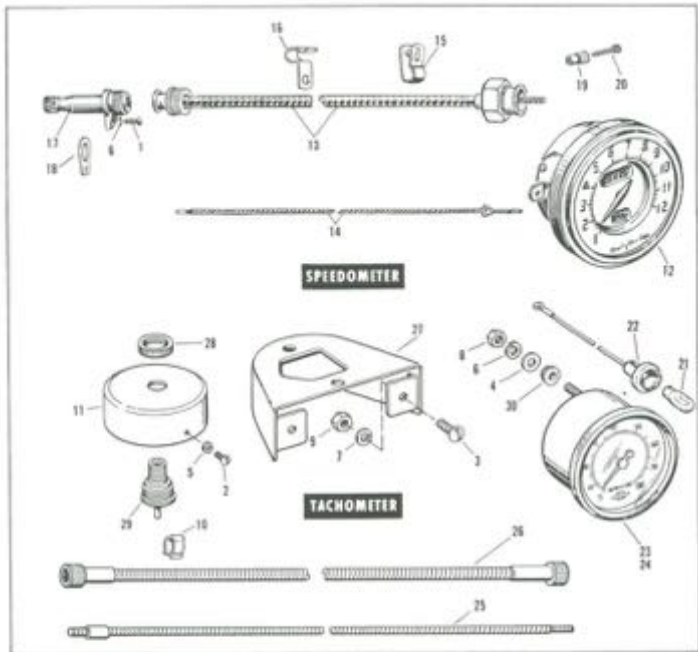
INDEX NO.	PART NO.	NAME	USED ON
1	891	SCREW, No. 10-24 x 1 Posidriv flat, hd. (2)	40 to 64 - FL, FLH
2	2356	SCREW, 1/4-20 x 3/4 Posidriv oval disk, hd. (2)	65 to * - FL, FLH
3	3757	BOLT, 1/4-20 x 3/4 hex, hd. (2)	65 to * - FL, FLH
4	3916	BOLT, 5/16-24 x 9/16 hex, hd. (2)	65 to * - FL, FLH
5	3937B	SPACER (2)	65 to * - FL, FLH
6	3938	LOCKWASHER, 1/4 (4)	65 to * - FL, FLH
7	7041	LOCKWASHER, 5/16 (2)	58 to 64 - FL, FLH
8	7279W	LOCKWASHER, 1/4 int. & ext. 160th (2)	65 to * - FL, FLH
9	7676	NUT, 1/4-20 x 3/16 x 7/16 hex.	65 to * - FL, FLH
10	7688	NUT, 1/4-20 x 1/4 x 1/2 hex. (3)	65 to * - FL, FLH
11	7784	NUT, 5/16-24 x 3/16 x 1/2 hex. (left side)	58 to 64 - FL, FLH
12	37222-02	SPRING, battery cover T-handle (2)	Like 62 to 64 - FL, FLH
13	42563-05	RUBBER MOUNT (2)	65 to * - FL, FLH
14	66002-49AD	BATTERY, 20 amp. - (5) amp. 1 - 6 V.	49 to 64 - FL, FLH
15	66006-29D	BATTERY, 22 amp. - 6 V.	41 to 64 - FL, FLH
16	66006-05A	BATTERY, 32 amp. - 12 V.	61 to * - FL, FLH
17	66216-05	FILLER PLUG (6)	65 to * - FL, FLH
18	66204-05	BATTERY CARRIER	65 to 69 - FL, FLH
	66204-70	BATTERY CARRIER	70 to 72 - FL, FLH
	66204-74	BATTERY CARRIER	74 to * - FL, FLH
20	66212-05	SUPPORT BRACKET	65 to * - FL, FLH
21	66352-05	CUSHION, battery cover (2)	49 to * - FL, FLH
	66353-05	CUSHION, battery cover (top/lens)	65 to * - FL, FLH
22	66370-05	BATTERY COVER (chrome)	65 to * - FL, FLH
	66371-05	BATTERY COVER (black)	65 to * - FL, FLH
23	66373-04	BATTERY COVER (chrome)	54 to 64 - FL, FLH
24	66378-05	SIDE COVER, battery (chrome)	65 to 69 - FL, FLH
	66378-70	SIDE COVER, battery (chrome)	70 to * - FL, FLH
25	66383-05	BATTERY STRAP	65 to 69 - FL, FLH
	66383-70	BATTERY STRAP	70 to * - FL, FLH
30	66425-06	COVER KIT, stereo relay (chrome)	65 to * - FL, FLH

BATTERY - FX



BATTERY - FX

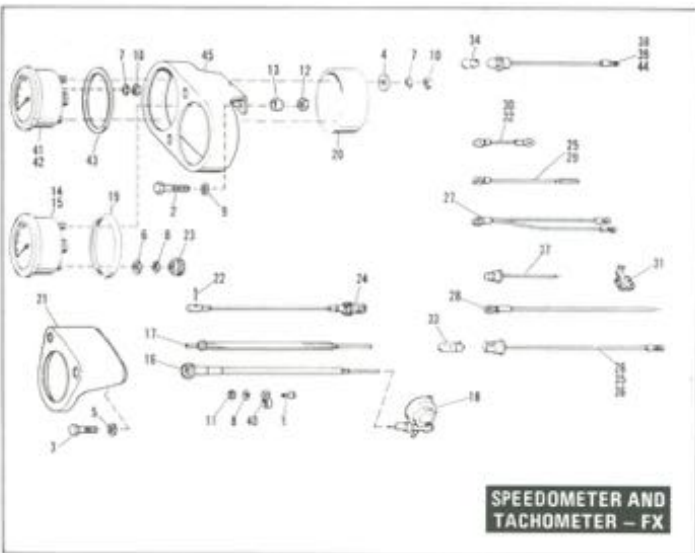
INDEX PART		NAME	USED ON
NO.	NO.		
1	3956	BOLT, 5/16-24 x 9-16 hex. hd. (2)	71 to * - FX
2	82206	WASHER, 1/4 x 7/16 x 3/32	71 to * - FX
3	7036	LOCKWASHER, 1/4 (2)	71 to * - FX
4	7676	NUT, 1/4-28 x 7/32 x 7/16 hex.	71 to * - FX
5	7688	NUT, 1/4-20 x 7/32 x 7/16 hex. (3)	71 to * - FX
6	42563-65	RUBBER MOUNT, battery carrier	71 to * - FX
7	45961-75	BATTERY - 12 V, electric start	71 to * - FX
8	66096-70	BATTERY - 12 V, kick start	71 to * - FX
9	66013-70	FILLER PLUG (6)	71 to * - FX
10	66190-70	PAD, battery (kick start)	71 to * - FX
11	66203-74	PAD, battery (electric start)	74 to * - FX
12	66111-70	TERMINAL SCREW KIT	71 to * - FX
13	66190-71	CARRIER, battery	71 to * - FX
14	66191-72	CARRIER, battery (electric start)	71 to * - FX
15	66214-71	BRACKET, battery carrier	71 to * - FX
16	66225-73	BRACKET, battery carrier (electric start)	73 to * - FX
17	66352-65	CUSHION, battery cover (2)	71 to * - FX
18	66367-71	COVER, battery - with cushions (electric start)	71 to * - FX
19	66369-70	COVER, battery - chrome (kick start)	71 to * - FX
20	66371-70	COVER, battery - black (kick start)	71 to * - FX
21	66470-70	STRAP, battery cover (kick start)	71 to * - FX
22	66476-73	STRAP, battery cover (electric start)	73 to * - FX



SPEEDOMETER AND TACHOMETER

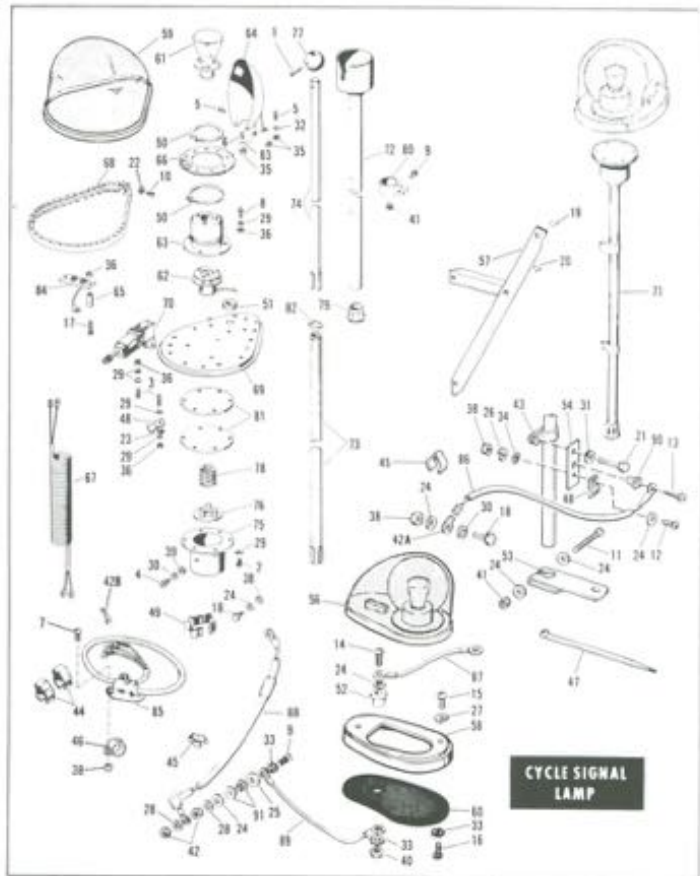
INDEX NO.	PART NO.	NAME	USED ON
1	2592	SCREW, No. 10-24 x 1/2 Phillips pan hd.	41 to * - FL, FLH, FX
2	2594	SCREW, No. 8-32 x 1/4 Phillips pan hd. (2)	61 to 63 - FL, FLH
3	2743	SCREW, 1-8-28 x 3/2 rd. hd. (2)	61 to 63 - FL, FLH
4	4718	WASHER, No. 10 x 1/2 x 3/64 (2)	61 to 63 - FL, FLH
5	7015	LOCKWASHER, No. 8 (2)	61 to 63 - FL, FLH
6	7069	LOCKWASHER, No. 10 (2)	61 to * - FL, FLH, FX
7	7036	LOCKWASHER, 1/4 (2)	61 to 63 - FL, FLH
8	7638	NUT, No. 10-32 x 1/8 x 3/8 hex. (2)	65 to 67 - FL, FLH
9	7674	NUT, 1-8-28 x 3/16 x 7/16 hex. (2)	61 to 63 - FL, FLH
10	9681	CABLE CLIP, frame tube	61 to 63 - FL, FLH
11	32586-65	COVER, circuit breaker	61 to 63 - FL, FLH
12	47004-65A	SPEEDOMETER HEAD, wire	71 & 72 - FX; 68 to * - FL, FLH
	47005-68	SPEEDOMETER HEAD, wire	71 & 72 - FX; 68 to * - FL, FLH
	47006-68	SPEEDOMETER HEAD, police	68 to * - FL, FLH
13	47026-62	DRIVE CABLE ASSEMBLY	71 & 72 - FX; 62 to * - FL, FLH
14	47055-62	CABLE CORE	62 to * - FL, FLH, FX
	47066-70	SPEEDOMETER ISOLATION KIT	Later 76 to * - FL, FLH
15	47074-57	CABLE CLIP	57 to Early 61 - FL, FLH
16	47075-57A	CLIP, speedometer cable (on crankcase)	Later 41 to * - FL, FLH, FX
17	47130-69	DRIVE UNIT ASSEMBLY (23 bolts)	71 & 72 - FX; 69 to * - FL, FLH
18	47141-36	GASKET, drive housing	71 & 72 - FX; 41 to * - FL, FLH
19	47215-68	KNOB, odometer reset	71 & 72 - FX; 68 to * - FL, FLH
20	47217-68	SCREW, reset knob	71 & 72 - FX; 68 to * - FL, FLH
21	71090-47	BULB, tachometer lamp (6 V.)	61 to 64 - FL, FLH
	71090-64	BULB, tachometer lamp (12 V.)	65 to 69 - FL, FLH
22	71251-89	SOCKET, with wire - tachometer lamp	61 to 69 - FL, FLH
23	92050-65A	TACHOMETER KIT	65 to 69 - FL, FLH
24	92061-65	TACHOMETER HEAD	61 to 69 - FL, FLH
25	92065-65	CABLE CORE, tachometer	61 to 69 - FL, FLH
26	92062-65A	DRIVE CABLE ASSEMBLY	61 to 69 - FL, FLH
27	92080-65	MOUNTING BRACKET	61 to 69 - FL, FLH
28	92093-65	KNURLED NUT, cable adapter	61 to 69 - FL, FLH
29	92097-65	CABLE ADAPTER, circuit breaker cover	61 to 69 - FL, FLH
30	92099-65	MOUNTING BUSHING (2)	61 to 69 - FL, FLH

NOTE: Asterisk (*) indicates part is used for latest model year shown on cover.



SPEEDOMETER AND TACHOMETER - FX

INDEX	PART NO.	NAME	USED ON
1	2666	SCREW, No. 30-24 x 9/16 Pozidriv pan hd.	73 to * - FX
2	2897W	BOLT, 5-16-18 x 1-3/4 hex. hd. (2)	73 to * - FX
3	4337W	BOLT, 3/8-24 x 1-1/4 hex. hd. (2)	73 - FX
4	6192	WASHER, No. 8 x 7/32 x 3/64 (2)	74 to * - FX
5	6379W	WASHER, 3/8 x 5/8 x 1/64 (2)	73 - FX
6	6735	WASHER, 3/16 x 1/2 x 1/16 (2)	73 to * - FX
7	7015	LOCKWASHER, No. 8 (4)	74 to * - FX
8	7069	LOCKWASHER, No. 30 (3)	73 to * - FX
9	7145W	LOCKWASHER, 3/8 external teeth	73 to * - FX
10	7608	NUT, No. 8-32 x 1/8 x 11/32 hex.	74 to * - FX
11	7620W	NUT, No. 30-24 x 1/8 x 3/8 hex.	73 to * - FX
12	7748W	NUT, 5-16-18 x 1/4 x 1/2 hex. (2)	74 to * - FX
13	87009-72	SPACER (2)	74 to * - FX
14	87020-73A	SPEEDOMETER HEAD, mile	73 to * - FX
15	87021-73A	SPEEDOMETER HEAD, kilometer	73 to * - FX
16	87051-73	CABLE CORE AND CASING	73 to * - FX
17	87055-73	CABLE CORE, only	73 to * - FX
18	87127-73	DRIVE UNIT, speedometer	73 to * - FX
19	87141-87P	GASKET, speedometer mounting	73 to * - FX
20	87180-73	CUP, speedometer	73 to * - FX
21	87181-73	SUPPORT, speedometer	73 - FX
22	87195-87P	SCREW, reset cable to speedometer	73 to * - FX
23	87198-87P	NUT, speedometer mounting (2)	73 to * - FX
24	87210-73	RESET CABLE ASSEMBLY	73 to * - FX
25	87321-76	WIRE, tachometer ignition terminal (orange)	76 to * - FX
26	87323-76	SOCKET WITH WIRE, speedometer lamp	76 to * - FX
27	87324-76	WIRING HARNESS, speedometer & tachometer ground	76 to * - FX
28	70120-73	WIRE, speedometer light	73 - FX
29	70148-75	WIRE, tachometer trigger terminal (pink)	75 to * - FX
30	70150-75	WIRE, tachometer ground	75 - FX
31	70576-68	WIRE CONNECTOR	73 - FX
32	70600-74	WIRE, tachometer ground	74 & 75 - FX
33	71090-64	BULB, speedometer	73 to * - FX
34	71099-74	BULB, tachometer	74 to * - FX
35	71146-74	SOCKET AND WIRE, speedometer	74 - FX
36	71146-75	SOCKET AND WIRE, speedometer	75 to * - FX
37	71151-67P	SOCKET AND WIRE, speedometer	73 - FX
38	71650-74	SOCKET AND WIRE, with bulb - tachometer	74 - FX
39	71650-75	SOCKET AND WIRE, with bulb - tachometer	75 - FX
40	71795-63A	CLAMP, speedometer cable	73 to * - FX
41	80540-74	TACHOMETER	74 & 75 - FX
42	80540-76	TACHOMETER	76 to * - FX
43	80541-74	GASKET, tachometer	74 to * - FX
44	80545-76	SOCKET AND WIRE, with bulb - tachometer	76 to * - FX
45	80574-73	HOUSING, speedometer and tachometer	74 to * - FX



CYCLE SIGNAL LAMP

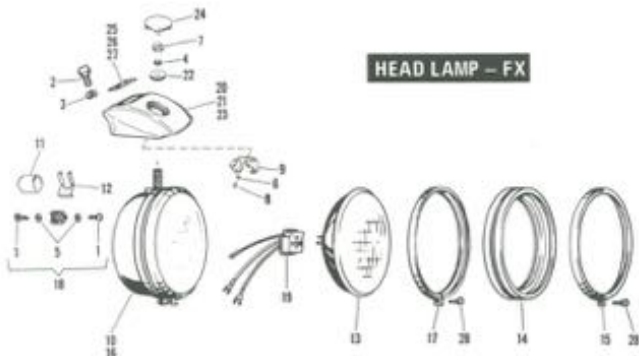
INDEX NO.	PART NO.	NAME	USED ON
1	384	ROLL PIN, screw ball	60 to * - FL, FLH
2	990V	SCREW, No. 6-32 x 3/16 rd. hd. (3)	60 to * - FL, FLH
3	9979	SCREW, No. 6-32 x 5/8 rd. hd.	60 to * - FL, FLH
4	1040	SCREW, No. 6-32 x 15/32 fl. hd.	60 to * - FL, FLH
5	2540	SCREW, No. 4-36 x 1/4 rd. hd. (2)	60 to * - FL, FLH
6	2540W	SCREW, No. 4-36 x 1/8 rd. hd.	60 to * - FL, FLH
7	2581	SCREW, No. 6-32 x 5/16 Pozidriv pan hd.	60 to * - FL, FLH
8	2586	SCREW, No. 6-32 x 1/2 rd. hd.	60 to * - FL, FLH
9	2587	SCREW, No. 10-32 x 5/8 Pozidriv pan hd.	60 to * - FL, FLH
10	2589	SCREW, No. 6-32 x 1/4 Pozidriv pan hd.	60 to * - FL, FLH
11	2591	SCREW, lower bracket, No. 10-32 x 1-3/8 Pozidriv hd.	60 to * - FL, FLH
12	2622	SCREW, wire ground, No. 6-32 x 7/16 Pozidriv pan hd.	60 to * - FL, FLH
13	2629W	SCREW, wire terminals, No. 9-21 x 5/8 self tapping rd. hd.	60 to * - FL, FLH
14	2630	SCREW, No. 10-24 x 7/8 Pozidriv pan hd.	70 to * - FL, FLH
15	2640	SCREW, No. 10-32 x 3/8 Pozidriv pan hd. (3)	70 to * - FL, FLH
16	2644	SCREW, No. 10-24 x 7/16 Pozidriv pan hd. (2)	70 to * - FL, FLH
17	3471W	SCREW, No. 6-32 x 7/8 rd. hd.	60 to * - FL, FLH
18	3491	BOLT, No. 6-32 x 5/8 hex. hd. thermal plate	60 to * - FL, FLH
19	3956	BOLT, 5/16-24 x 9/16 hex. hd. (center of windshield)	60 to * - FL, FLH
20	3986	BOLT, 5/16-24 x 27/32 hex. hd. (lower windshield)	60 to * - FL, FLH
21	4036	BOLT, fender brace, 5/16-24 x 1-1/2 hex. hd.	60 to * - FL, FLH
22	6041	WASHER, 1/8 x 1/4 x 3/64	60 to * - FL, FLH
23	6150W	WASHER, 3/16 x 3/8 x 1/16	60 to * - FL, FLH
24	6182W	WASHER, 3/16 x 7/16 x 1/32 (R)	60 to * - FL, FLH
25	6357	INSULATING WASHER	70 to * - FL, FLH
26	7010	LOCKWASHER, wire ground, No. 8	60 to * - FL, FLH
27	7036W	LOCKWASHER, No. 12 (3)	70 to * - FL, FLH
28	7069	LOCKWASHER, No. 10 (2)	70 to * - FL, FLH
29	7312	LOCKWASHER, No. 6 int. tooth	60 to * - FL, FLH
30	7315	LOCKWASHER, terminal plate, No. 8 int. tooth	60 to * - FL, FLH
31	7327	LOCKWASHER, clamp & wiring bracket, 5/16 int. tooth	60 to * - FL, FLH
32	7386W	LOCKWASHER, 1/8 int. tooth (2)	60 to * - FL, FLH
33	7320	LOCKWASHER, No. 10 ext. tooth (4)	70 to * - FL, FLH
34	7311	LOCKWASHER, wiring bracket, No. 8 int. & ext. tooth	60 to * - FL, FLH
35	7364	NUT, No. 4-36 x 3/32 x 5/4 hex. (2)	60 to * - FL, FLH
36	7590	NUT, No. 4-32 x 1/4 x 5/16 hex. (3)	60 to * - FL, FLH
38	7606	NUT, No. 6-32 x 1/8 x 5/16 hex. (3)	60 to * - FL, FLH
39	7609W	LOCKNUT, No. 6-32 x 3/16 x 3/8 hex.	60 to * - FL, FLH
40	7629W	NUT, No. 10-24 x 1/8 x 3/8 hex.	70 to * - FL, FLH
41	7629W	LOCKNUT, No. 10-32 x 3/16 x 3/8 hex.	60 to * - FL, FLH
42	7630	NUT, No. 10-32 x 1/8 x 3/8 hex. (2)	70 to * - FL, FLH
42A	9901	WIRE TERMINAL, ring type, 3/16 dia. (note - #14-16 wire)	40 to 49 - FL, FLH
42B	9931	WIRE TERMINAL, female spade type - 3/16 slit	70 to * - FL, FLH
43	9972	WIRE CLAMP, fender brace	60 to * - FL, FLH
44	9976	CLAMP, handlebar switch cable (2)	60 to * - FL, FLH
45	9983	SPRING CLIP (2)	60 to * - FL, FLH
46	10001	CLAMP, handlebar switch	60 to * - FL, FLH
47	10006	WIRING STRAP	60 to * - FL, FLH
48	10009	CABLE CLIP	60 to * - FL, FLH
49	10012	CLIP, lamp cable	60 to * - FL, FLH
50	11017	RETAINING RING, driven gear (2)	60 to * - FL, FLH
51	11405	GROMMET, lamp cable	60 to * - FL, FLH
52	59271-68	WELL NUT, lamp terminal	70 to * - FL, FLH
	67645-68A	REAR MOUNTING KIT, cycle signal lamp (mounting hardware only)	60 to * - FL, FLH
53	67647-68	MOUNTING BRACKET	60 to * - FL, FLH

NOTE: Asterisk (*) indicates part is used for latest model year shown on cover.

CYCLE SIGNAL LAMP (CONT'D)

INDEX NO.	PART NO.	NAME	USED ON
54	67609-68	WIRING BRACKET	80 to * - FL, FLH
	67621-70	CYCLE SIGNAL LAMP KIT, fender mounted	70 to * - FL, FLH
	67623-64A	CYCLE SIGNAL ROTATING LAMP KIT, less brackets (hub lens)	65 to * - FL, FLH
	67626-64A	CYCLE SIGNAL ROTATING LAMP KIT, less brackets - 12 V, (red lens)	65 to * - FL, FLH
	67627-64A	LAMP AND LENS ASSEMBLY, less mast - 12 V, (red) (with tabs)	65 to * - FL, FLH
56	67627-70	LAMP AND LENS ASSEMBLY - 12 V, (red) (fender mounted)	70 to * - FL, FLH
57	67628-58	FORK BRACKET, left hand	60 to * - FL, FLH
	67629-58	FORK BRACKET, right hand	60 to * - FL, FLH
	67630-62	BRUSH ASSEMBLY, signal lamp-motor	60 to * - FL, FLH
58	67630-70	BASE PLATE, cycle signal lamp	70 to * - FL, FLH
59	67638-58	LAMP LENS (amber)	60 to * - FL, FLH
	67639-58	LAMP LENS (blue)	60 to * - FL, FLH
	67636-58	LAMP LENS (red)	60 to * - FL, FLH
60	67637-70	GASKET, cycle signal lamp	70 to * - FL, FLH
61	67638-59	BULB, rotating lamp - 6 V	60 to 64 - FL, FLH
	67638-64	BULB, rotating lamp - 12 V	65 to * - FL, FLH
62	67639-58	SOCKET, rotating lamp	60 to * - FL, FLH
63	67640-59	SOCKET HOLDER	60 to * - FL, FLH
64	67641-58	SHIELD, rotating lamp	60 to * - FL, FLH
65	67642-59	INSULATOR, terminal strip	60 to * - FL, FLH
66	67643-58	DRIVEN GEAR	60 to * - FL, FLH
67	67644-59	CABLE, rotating lamp	60 to 65 - FL, FLH
	67644-70	CABLE, rotating lamp	70 to * - FL, FLH
68	67646-58	RETAINING BAND, lamp lens	60 to * - FL, FLH
69	67647-59	BASE PLATE	60 to * - FL, FLH
70	67648-58	DRIVE MOTOR - 6 V	60 to 64 - FL, FLH
	67648-64	DRIVE MOTOR - 12 V	65 to * - FL, FLH
71	67649-58	MAST ASSEMBLY, complete	60 to * - FL, FLH
72	67650-59	OUTER MAST SECTION	62 to * - FL, FLH
73	67651-59	CENTER MAST SECTION	62 to * - FL, FLH
74	67652-59	INNER MAST SECTION	62 to * - FL, FLH
75	67653-59	BALL SOCKET	60 to * - FL, FLH
76	67656-59	WASHER, ball socket	60 to * - FL, FLH
77	67657-59	SWIVEL BALL	60 to * - FL, FLH
78	67658-59	SPRING, ball washer	60 to * - FL, FLH
79	67659-59	RUBBER TIP, lamp mast	60 to * - FL, FLH
80	67660-59	CLAMP, lamp mast mounting (2)	60 to * - FL, FLH
81	67661-59	COVER PLATE, ball socket (2)	60 to * - FL, FLH
82	67662-59	RETAINING RING, mast section	60 to * - FL, FLH
83	67663-59	SUPPORT BRACKET, lamp shield, right	60 to * - FL, FLH
	67664-59	SUPPORT BRACKET, lamp shield, left	60 to * - FL, FLH
84	67665-59	TERMINAL STRIP	60 to * - FL, FLH
85	70060-29	HANDLEBAR SWITCH, with fittings	65 to * - FL, FLH
86	70300-70	WIRE, terminal plate to lamp terminal	70 to * - FL, FLH
87	70305-70	CABLE, fender terminal to lamp	70 to * - FL, FLH
88	70306-68	CABLE, fender to terminal board	70 to * - FL, FLH
89	70307-66	WIRE, fender terminal to fender terminal	70 to * - FL, FLH
90	70574-68	EXPANSION NUT, wiring bracket	60 to * - FL, FLH
91	71098-38	INSULATING WASHER (2)	70 to * - FL, FLH

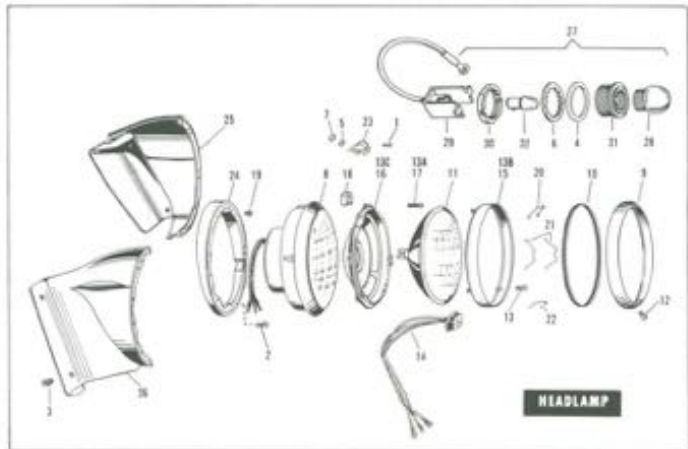
HEAD LAMP - FX



HEADLAMP - FX

INDEX NO.	PART NO.	NAME	USED ON
1	2565	SCREW, No. 3-32 x 3-16 Flange-top pan hd. (4)	71 to * - FX
2	2674W	BOLT, 5-16-18 x 1-1/8 hex. hd. (2)	71 to * - FX
3	7041	LOCKWASHER, 5-16 (2)	71 to * - FX
4	7068	LOCKWASHER, 1/2	71 to * - FX
5	7115	LOCKWASHER, No. 8 internal tooth (8)	71 to * - FX
6	7220	LOCKWASHER, No. 10 external tooth	73 to * - FX
7	7845	NUT, 1/2-20 x 7-16 x 3/4 hex.	71 to 74 - FX
	7880	NUT, 1/2-13 x 7-16 x 3/4 hex.	75 to * - FX
8	8303	RIVET	71 to * - FX
9	9952	FLASHER CLIP	71 to * - FX
10	67702-74	HEADLAMP, complete (w/o wiring)	75 to * - FX
11	67710-72	CAP, headlamp terminal (2)	Like 72 to 74 - FX
12	67714-63	RETAINER SPRING, sealed unit (8)	71 to * - FX
13	67717-65	SEALED UNIT - 12 V.	71 to * - FX
14	67719-63	MOUNTING RING, resilient	71 to * - FX
15	67725-63	MOLDING RING, outer (2)	71 to * - FX
16	67733-72	HEADLAMP, complete - 12 V.	71 to * - FX
17	67744-75	MOLDING RING, inner	71 to * - FX
18	67745-63	TERMINAL PLATE KIT (2)	71 to * - FX
19	67753-63	CONNECTOR AND WIRING	71 to 74 - FX
20	67807-75	BRACKET, headlamp, w/flasher clip	73 & 74 - FX
21	67809-75	BRACKET, headlamp	75 to * - FX
22	67815-10A	WASHER, headlamp mount	71 to * - FX
23	67818-75	BRACKET, headlamp, w/flasher clip	71 to 72 - FX
24	67830-68	PLUG, headlamp bracket	71 to * - FX
25	67832-71	TRIM, headlamp bracket	71 to 72 - FX
26	67833-75	TRIM, headlamp bracket	73 & 74 - FX
27	67835-71	TRIM, headlamp bracket	75 to * - FX
28	68672-18	SCREW, No. 6-32 x 1-8 fl. hd. (2)	71 to * - FX

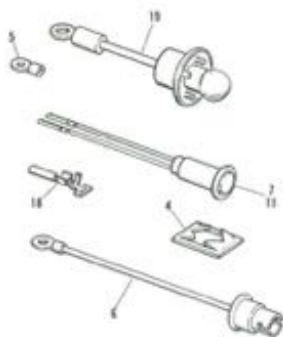
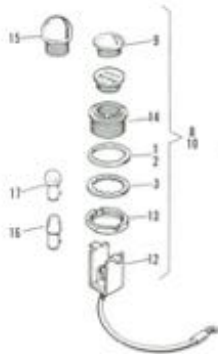
NOTE: Asterisk (*) indicates part is used for latest model year shown in cases.



HEADLAMP

INDEX	PART NO.	NAME	USED ON
1	3455	SCREW, No. 6-32 x 5/16 flat hd. (2)	60 to * - FL, FLH
2	2620W	SCREW, No. 10-24 x 3/8 self tapping Phillips hd. (6)	60 to * - FL, FLH
3	2620N	SCREW, 5-16-24 x 5/16 Phillips hd. (4)	60 to * - FL, FLH
4	6758	WASHER, 15/16 x 11/16 x 1/16 (fiber)	49 to 69 - FL, FLH
5	7112	LOCKWASHER, No. 6 int. 104H (2)	60 to * - FL, FLH
6	7145	LOCKWASHER, 15-16 int. 100H	Late 66 to 69 - FL, FLH
7	7390	NUT, No. 6-32 x 7/64 x 5/16 hex. (2)	60 to * - FL, FLH
8	67502-65	HEADLAMP - 12 V.	60 to 62 - FL, FLH
	67502-70	HEADLAMP - 12 V.	70 to * - FL, FLH
9	67512-60	DOOR ASSEMBLY, with gasket and springs	60 to * - FL, FLH
10	67716-60A	GASKET, headlamp door	60 to * - FL, FLH
11	67717-48B	SEALED BEAM UNIT - 6 V.	49 to 64 - FL, FLH
	67717-64	SEALED BEAM UNIT - 12 V.	65 to * - FL, FLH
12	67718-60	SCREW, headlamp door	60 to * - FL, FLH
13	67721-48	SCREW, retaining ring (3)	60 to * - FL, FLH
13A	67724-71	ADJUSTING SCREW, 1/4-20 x 1-3/8 Phillips hd. (2)	Late 71 to * - FL, FLH
13B	67726-71	RETAINING RING, sealed unit (3/4 inch deep)	Late 71 to * - FL, FLH
13C	67732-71	MOUNTING RING, sealed unit (no slot in I.D.)	Late 71 to * - FL, FLH
14	67753-60	LAMP WIRING AND CONNECTOR	60 to 69 - FL, FLH
	67753-70	LAMP WIRING AND CONNECTOR	70 to * - FL, FLH
15	67763-60	RETAINING RING, sealed unit (1 inch deep)	60 to * - FL, FLH
16	67766-60	MOUNTING RING, sealed unit (slot in I.D.)	60 to * - FL, FLH
17	67767-60	ADJUSTING SCREW 1/4-20 x 1 slotted hd. (2)	60 to * - FL, FLH
18	67768-60	ADJUSTING NUT (2)	60 to * - FL, FLH
19	67769-60	RUBBER BUMPER (3)	60 to * - FL, FLH
20	67778-60	TOP SPRING, headlamp door	60 to * - FL, FLH
21	67779-60	SIDE SPRING, headlamp door (2)	60 to Early 72 - FL, FLH
22	67780-60	BOTTOM SPRING, headlamp door (2)	60 to * - FL, FLH
23	67781-60	DOOR RETAINING LUG, with fittings	60 to * - FL, FLH
24	67841-60	ADAPTER RING, headlamp housing - grime (adjustable fork)	60 to * - FL, FLH
	67842-60	ADAPTER RING, headlamp housing - chrome (adjustable fork)	60 to * - FL, FLH
25	67847-60	HEADLAMP HOUSING, left - polished	60 to * - FL, FLH
26	67848-60	HEADLAMP HOUSING, right - polished	60 to * - FL, FLH
	67849-60	HEADLAMP HOUSING, left - black	60 to 70 - FL, FLH
	67850-60	HEADLAMP HOUSING, right - black	60 to 70 - FL, FLH
	67860-76	HEADLAMP HOUSING, plug	Late 76 to * - FL, FLH
27	67895-66	PILOT LAMP, high beam indicator	49 to 65 - FL, FLH
28	67896-66	LENS, high beam pilot lamp (red)	49 to 65 - FL, FLH
29	68563-60	SOCKET AND WIRE	49 to 69 - FL, FLH
30	68564-60	NUT, high beam lamp	49 to 69 - FL, FLH
31	68565-60	HOLDER, high beam lamp	49 to 69 - FL, FLH
32	71093-47	BULB, high beam lamp - 6 V.	49 to 64 - FL, FLH
	71093-64	BULB, high beam lamp - 12 V.	65 to 69 - FL, FLH

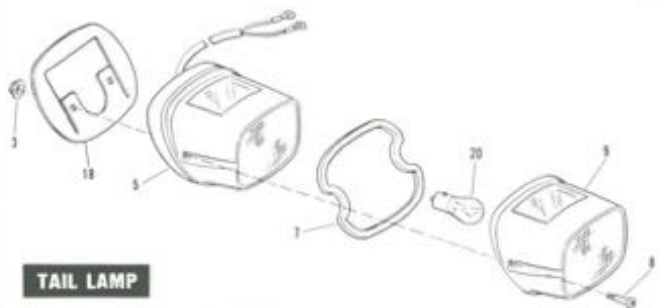
NOTE: Asterisk (*) indicates part is used for latest model year shown on cover.



INDICATOR LAMPS

INDICATOR LAMPS

INDEX	PART		USED	ON
NO.	NO.	NAME		
1	6762B	WASHER, 11/16 x 29/32 x 1/32.....	73 to *	- FX
2	6768	WASHER, 15/16 x 11/16 x 1/16 (fiber).....	60 to *	- FL, FLH, FX
3	7149	LOCKWASHER, 15/16 internal tooth.....	49 to *	- FL, FLH, FX
4	7614	SPEED NUT, 1/2 dia. stud size (2).....	75 to *	- FX
5	9857	WIRE TERMINAL, ring type - # 16-22 wire.....	76 to *	- FX
6	67325-76	SOCKET AND WIRE, speedometer.....	76 to *	- FX
7	67851-75	INDICATOR LAMP, neutral (green).....	75 to *	- FX
8	67891-68	HIGH BEAM PILOT LAMP, less bulb (flat lens - single wire).....	73 & 74	- FX
	67891-75	HIGH BEAM PILOT LAMP.....	75 to *	- FX
9	67899-68A	LENS, indicator lamp (transparent red).....	73 to *	- FX
10	68536-73	INDICATOR LAMP, neutral & oil pressure (two wires) (2).....	73 & 74	- FX
11	68536-75	INDICATOR LAMP, oil pressure (red).....	75 to *	- FX
	68554-60	PILOT LAMP, with wire - 6 V.....	60 to 64	- FL, FLH
12	68563-60	SOCKET AND WIRE, pilot lamp.....	60 to *	- FL, FLH, 73 & 74 - FX
	68563-75	SOCKET AND WIRE, high beam indicator.....	75 to *	- FX
13	68564-60	NUT, pilot lamp holder.....	60 to *	- FL, FLH, 73 to * - FX
14	68565-60	HOLDER, pilot lamp.....	60 to *	- FL, FLH, 73 to * - FX
15	68566-60	LENS, pilot lamp (green).....	60 to *	- FL, FLH
16	71090-67	BULB, pilot lamp - 6 V.....	60 to 64	- FL, FLH
17	71092-68	BULB, indicator lamp (3).....	73 to *	- FX
18	72038-71	SOCKET, single pin.....	75 to *	- FX
19	92945-76	SOCKET AND WIRE, with bulb - tachometer.....	76 to *	- FX



TAIL LAMP

INDEX NO.	PART NO.	NAME	USED ON
1	2612	SCREW, No. 8-32 x 1/2 HL, (3)	42 to 72 - FL, FLH, FX
2	7229W	LOCKWASHER, 3/4 internal and external (2)	55 to * - FL, FLH, FX
3	7501	SPEED NUT, 1/4 x 7/16 hex, (2)	Later 73 to * - FL, FLH
4	7688	NUT, 1/4-20 x 1/4 x 1/2 Hex, (2)	55 to * - FL, FLH, FX
5	8808-73A	TAIL LAMP ASSEMBLY	73 to * - FL, FLH, FX
6	8810-64B	TAIL LAMP AND STOPLIGHT ASSEMBLY	69 to 72 - FL, FLH, FX
7	8825-73	GASKET, tail lamp lens	Later 73 to * - FL, FLH, FX
8	8826-73	SCREW, tail lamp lens (2)	Later 73 to * - FL, FLH, FX
9	8827-73	LENS, tail lamp (red)	Later 73 to * - FL, FLH, FX
10	8886-05	DOOR, tail lamp lens	55 to 72 - FL, FLH, FX
11	8890-69	LENS, tail lamp (red)	55 to 72 - FL, FLH, FX
12	8893-55A	OUTLOOK LENS	55 to 72 - FL, FLH, FX
13	8814-05	SPEED NUT, lens screw (2)	55 to 72 - FL, FLH, FX
14	8819-05	SCREW, outlook lens (2)	55 to 68 - FL, FLH
	8819-69	SCREW, outlook lens (2)	69 to 72 - FL, FLH, FX
15	8821-05	GASKET, outlook lens	55 to 72 - FL, FLH, FX
16	8822-05	GASKET, tail lamp lens	55 to 72 - FL, FLH, FX
17	8823-05	GASKET, tail lamp housing	55 to * - FL, FLH, FX
18	8823-73	GASKET, tail lamp housing	Later 73 to * - FL, FLH, FX
19	8865-47	BULB, tail and stop lamp - 6 V	47 to 68 - FL, FLH
20	8865-64	BULB, tail lamp - 12 V	65 to 72 - FL, FLH, FX
21	8885-69	SOCKET AND WIRING	69 - FL, FLH
	8885-73	SOCKET AND WIRING	70 to 72 - FL, FLH, FX
22	88196-05	EYELET, socket screw (8)	55 to 72 - FL, FLH, FX
23	88196-05	GROMMET, socket screw (3)	55 to 72 - FL, FLH, FX
24	8825-05	PROTECTOR COIL, tail lamp wire	55 to * - FL, FLH
25	88672-58	SCREW, tail lamp lens (2)	47 to 72 - FL, FLH, FX

**TURN SIGNALS
AND PARKING LAMPS
EARLY 1973 & EARLIER**



TURN SIGNALS AND PARKING LAMPS - EARLY 1973 & EARLIER

INDEX	PART - NO. NO.	NAME	USED ON
1	1302	SCREW, No. 10-24 x 5/8 Phosdriv hd. hd.	Late 74 to * - FL, FLH
2	2079R	SCREW, No. 4-40 self-tapping rd. hd. (two-terminal flasher)	Late 63 to * - FL, FLH, FX
3	2052	SCREW, No. 10-24 x 1/2 Phosdriv pan hd. (4) (front)	Late 64 to * - FL, FLH, FX, 71-75 - FX
4	2622	SCREW, No. 8-32 x 7/16 Phosdriv pan hd.	70 to * - FL, FLH
5	2585	SCREW, No. 8-32 x 5/16 Phosdriv pan hd. (2)	49 to 72 - FL, FLH, FX
6	2609R	SCREW, No. 10-24 x 1/2 self-tapping (Phi) hd. (6)	63 & Early 64 - FL, FLH
7	2692W	SCREW, No. 10-24 x 1/2 socket hd. (4) (rear)	Late 64 to * - FL, FLH, FX
8	3206B	SET SCREW, No. 8-32 x 3/16 socket hd.	Late 68 to * - FL, FLH
9	3728	BOLT, 1/4-20 x 1/2 hex. hd. (2)	63 to * - FL, FLH; 72 to * - FX
10	3956	BOLT, 5/16-24 x 3/16 hex. hd.	49 to * - FL, FLH; 72 - FX
11	4391	BOLT, 5/16-24 x 5/8 hex. hd. (2)	73 to * - FX
12	4410	BOLT, 1/4-28 x 7/8 hex. hd. (2)	49 to 62 - FL, FLH; 71-75 - FX
13	4710R	BOLT, 3/8-16 x 3/4 hex. hd. (2)	68 to * - FL, FLH
14	6162R	WASHER, No. 10 x 7/16 x 1/32	63 to * - FL, FLH; 71-74 - FX
15	6192	WASHER, No. 8 x 7/16 x 3/64	70 to * - FL, FLH
16	6228R	WASHER, 1/4 x 1/2 x 1/16 (2)	73 to * - FX
17	6702	WASHER, 5/16 x 11/16 x 1/16 (2)	49 to * - FL, FLH, FX
18	7036	LOCKWASHER, 1/4 (2)	58 to 62 - FL, FLH; 73 to * - FX
19	7041	LOCKWASHER, 5/16 (4)	58 to 62 - FL, FLH
20	7049	LOCKWASHER, No. 10 (6)	63 to * - FL, FLH; 73 to * - FX
21	7228R	LOCKWASHER, 1/4 internal and external teeth (2)	73 to * - FX
22	7230	LOCKWASHER, 1/4 external teeth (2)	49 to * - FL, FLH; 72 to * - FX
23	7608	NUT, No. 8-32 x 1/8 x 5/16 hex.	49 to 72 - FL, FLH, FX
24	7609R	LOCKNUT, No. 8	70 to * - FL, FLH
25	7676	NUT, 1/4-28 x 5/16 x 7/16 hex. (2)	58 to 62 - FL, FLH; 73 to * - FX
26	7744	NUT, 5/16-24 x 3/16 x 1/2 hex. (4)	58 to 62 - FL, FLH
27	7778	LOCKNUT, 3/8-16 x 7/16 x 9/16 hex.	68 to * - FL, FLH
28	9912	WIRE TERMINAL, locking type - used with 9912 - #14-16 wire	63 to 69 - FL, FLH
28A	9952	FLASHER CLIP	49 to * - FL, FLH, FX
29	9963	CLIP, turn signal lamp cable (2)	58 to 62 - FL, FLH
29B	9963R	CLAMP, rear lamp cable	72 - FX
30	9976	HANDLEBAR CLAMP (2)	49 to 72 - FL, FLH, FX
31	9981	CLIP, tail lamp wires to license bracket (2)	71 to 75 - FX
32	10001	CLAMP, handlebar switch (2)	49 to 72 - FL, FLH, FX
33	10002	CLIP, front wires to fork (2)	49 to 70 - FL, FLH
34	10006	STRAP, rear lamp cable (6)	71 to * - FX
35	10012	CLAMP, frame head	49 to * - FL, FLH
36	10450-09A	GROUND STRAP	58 to 62 - FL, FLH
37	17978-63	GRONNET, wires - rear mounting bracket (2)	71 to * - FX
38	67840-70	DECAL, flasher, passing lamp	70 to * - FL, FLH
39	67840-70	TOGGLE SWITCH, hazard warning flasher kit	70 to * - FL, FLH
40	67840-70	NUT, toggle switch	70 to * - FL, FLH
41	68160-64	BULB, parking lamp - 32 V.	63 to * - FL, FLH
	68160-68	FRONT PARKING LAMP KIT	64 to * - FL, FLH
	68160-68	REAR PARKING LAMP KIT, (red lens) - 32 V. - (used with turn signals)	63 to 65 - FL, FLH
	68167-65	REAR PARKING LAMP KIT, (red lens) - 32 V. - (not used with turn signals)	63 to 69 - FL, FLH
42	68308-64	REAR PARKING LAMP (red lens) - 32 V.	63 to 69 - FL, FLH
	68310-73	BRACKET, rear turn signal lamps	64 to 71 - FL, FLH
42A	68310-74	BRACKET, rear turn signal lamps	74 to * - FL, FLH
43	68313-68	LAMP MOUNTING KIT, parking lamp (hardware only)	Late 68 to * - FL, FLH
44	68313-68	BRACKET, front turn signal or parking lamp (2)	68 to * - FL, FLH
45	68326-63	O-RING, lamp mounting (6)	63 to * - FL, FLH; 71 to 75 - FX
46	68321-63	LENS GASKET (6)	63 to * - FL, FLH, FX
47	68324-63	MOUNTING BRACKET, rear	72 to * - FX
48	68325-32A	BRACKET, rear turn signal lamps	58 to 62 - FL, FLH; 72 to * - FL, FLH; 73 to * - FL, FLH
	68325-62	MOUNTING BRACKET, rear	71 & 72 - FX
49	68325-67	MOUNTING BRACKET, rear	71 & 72 - FX
50	68326-63	BRACKET, rear turn signal lamps	63 to * - FL, FLH
51	68327-63	BRACKET, front turn signal lamps (2)	63 to * - FL, FLH
52	68328-67	MOUNTING BRACKET, front	71 & 72 - FX
53	68340-64	FLASHER	68 to * - FL, FLH

NOTE: Asterisk (*) indicates part is used for latest model year shown in column.

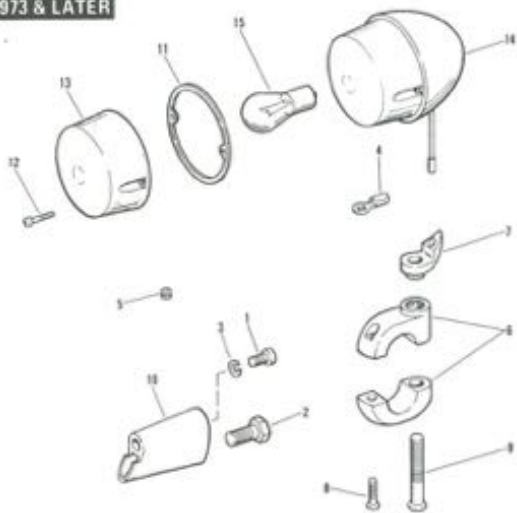
TURN SIGNALS AND PARKING LAMPS - EARLY 1973 & EARLIER (CONT'D)

INDEX	PART NO.	NAME	USED ON
54	68543-70	HAZARD WARNING FLASHER CONVERSION KIT	70 to * - FL, FLH
	68543-61A	FLASHER (2 terminals) - 6 V.	58 to 64 - FL, FLH
55	68543-64A	FLASHER - 12 V.	65 to * - FL, FLH, 71 to 74 - FX
56	68545-70	BRACKET, flasher	70 to * - FL, FLH
57	68552-70	LAMP WITH WIRE, front and rear (amber) - (2 V. 4)	63 to * - FL, FLH, 71 to 75 - FX
58	68570-63	LENS, rear lamp (red) (2)	63 to * - FL, FLH
59	68571-63	LENS, front lamp (amber) (2)	63 to * - FL, FLH, FX
60	68572-64A	BULB, turn signal lamp - 12 V.	65 to * - FL, FLH, 71 to 75 - FX
61	68576-70	SOCKET AND WIRE	63 to * - FL, FLH, 71 to 75 - FX
62	68586-63	SCREW, lens mounting (2)	63 to * - FL, FLH, FX
63	68795-68	CLAMP	Late 68 to * - FL, FLH
64	70058-50B	HANDLEBAR SWITCH AND CABLE	49 to * - FL, FLH
	70058-70	HANDLEBAR SWITCH AND CABLE (external)	71 & 72 - FX
	70061-70	HANDLEBAR SWITCH AND CABLE (external)	70 & 71 - FL, FLH
65	70091-58	REAR LAMP CABLE	58 to 62 - FL, FLH
66	70091-63	REAR LAMP CABLE	63 to 68 - FL, FLH
	70093-70	REAR LAMP CABLE	71 to * - FX
	70285-72	REAR LAMP CABLE	72 to Early 73 - FX
67	70418-69	FLASHER WIRE, orange	71 & 72 - FX
68	70418-73	FLASHER WIRE, orange	73 & 74 - FX
69	70425-70	CABLE, terminal 2 to toggle switch	70 to * - FL, FLH
70	70426-70	CABLE, terminal 10 to flasher	70 to * - FL, FLH
71	70428-70	CABLE, terminal 1 to toggle switch	70 to * - FL, FLH
72	70429-70	CABLE, toggle switch to flasher	70 to * - FL, FLH
73	70575-50	INSULATING CONNECTING TUBE (2)	49 to 71 - FL, FLH
74	70576-68	WIRE CONNECTOR	70 to * - FL, FLH, FX
75	70577-26	GROMMET, rear lamp cable	49 to 72 - FL, FLH
76	70584-69	INSULATOR, flag terminal (2)	70 to * - FL, FLH
78	71843-70	HOUSING, turn signal switch	70 & 71 - FL, FLH, 71 & 72 - FX

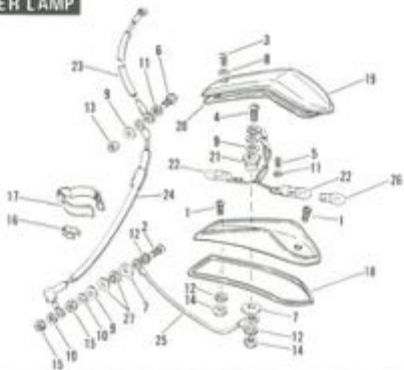
TURN SIGNALS - LATE 1973 & LATER

1	2690	SCREW, lamp mounting, 3/16-24 x 5/8 socket hd. (4)	Late 73 to * - FL, FLH, FX
2	2885	BOLT, rear lamp support, 3/8-24 x 3/4 hex. hd. (2)	Late 73 to * - FX
3	7038	LOCKWASHER, rear lamp, 3/8 (2)	Late 73 to * - FX
	7042	LOCKWASHER, rear lamp, 5/16 (2)	Late 73 - FX
4	8902	WIRE TERMINAL, ring type - 3/32 dia. hole - #34-35 wire	Late 73 to * - FL, FLH, FX
5	11433	GROMMET, rear lamp wire (2)	Late 73 to * - FX
6	68476-73	CLAMP, handlebar (2)	Late 73 to * - FX
7	68477-73	BRACKET, handlebar clamp to lamp (2)	Late 73 to * - FX
8	68478-73	SCREW, handlebar clamp, No. 10-24 x 3/4 socket hd. (2)	Late 73 to * - FX
9	68479-73	SCREW, lamp mounting, 5/16-24 x 2 socket hd. (2)	Late 73 to * - FX
10	68480-73	SUPPORT, rear lamp mounting (2)	Late 73 to * - FX
11	68481-73	GASKET, turn signal lens (2)	Late 73 to * - FX
12	68482-73	SCREW, turn signal lens (2)	Late 73 to * - FX
13	68483-73	LENS, turn signal (2)	Late 73 to * - FX
14	68514-73	LAMP WITH WIRE, amber (4)	Late 73 to * - FX
15	68572-64A	BULB, turn signal - 12 V.	65 to * - FL, FLH, FX

**TURN SIGNALS
LATE 1973 & LATER**



FRONT FENDER LAMP



FRONT FENDER LAMP

INDEX NO.	PART NO.	NAME	USED ON
1	2401	SCREW, No. 10-24 x 5/8 Posidriv oval trim, (2)	68 to * - FL, FLH, FX
2	2587	SCREW, fender terminal, No. 10-32 x 5/8 Posidriv pan hd.	68 to * - FL, FLH, FX
3	2630W	SCREW, lens, No. 8-32 x 5/16 self-tapping rd. hd.	68 to * - FL, FLH, FX
4	2819	SCREW, lamp terminal, No. 10-24 x 7/8 Posidriv pan hd.	68 to * - FL, FLH, FX
5	3009M	SCREW, No. 6-32 x 3/8 self-tapping (2)	68 to 72 - FL, FLH, FX
6	3491	BOLT, No. 6-32 x 5/8 rd. hd. (3)	49 to * - FL, FLH, FX
7	6257	INSULATING WASHER, lamp and fender terminal (2)	68 to * - FL, FLH, FX
8	6263	RUBBER WASHER, lens	68 to * - FL, FLH, FX
9	6716	WASHER, No. 10 x 1/2 x 3/64 (3)	63 to * - FL, FLH, FX
10	7069	LOCKWASHER, No. 10 (2)	63 to * - FL, FLH, FX
11	7215	LOCKWASHER, No. 8 int. tooth	60 to * - FL, FLH, FX
12	7220	LOCKWASHER, lamp base and terminal, No. 10 ext. tooth (4)	68 to * - FL, FLH, FX
13	7608	NUT, No. 8-32 x 1/8 x 5/16 hex.	49 to 72 - FL, FLH, FX
14	7624	NUT, lamp base and terminal, No. 10-24 x 1/4 x 3/8 hex. (3)	68 to * - FL, FLH, FX
15	7638	NUT, fender terminal, No. 10-32 x 1/8 x 3/8 hex. (2)	68 to * - FL, FLH, FX
16	8961	SPRING CLIP, small (2)	68 to * - FL, FLH, FX
17	8966	SPRING CLIP, large	68 to * - FL, FLH, FX
	9160-68	FRONT FENDER LAMP KIT	68 to * - FL, FLH, FX
18	9166-68	GASKET, fender lamp	68 to * - FL, FLH, FX
19	9168-68	LAMP LENS	68 to * - FL, FLH, FX
20	9169-68	LENS GASKET	68 to * - FL, FLH, FX
21	9171-68	BELL NUT, lamp terminal	68 to * - FL, FLH, FX
22	9174-68	LAMP SOCKET, with wire (2)	68 to * - FL, FLH, FX
23	9195-68	CABLE, switch to terminal plate	68 to * - FL, FLH, FX
24	9196-68	CABLE, fender to terminal plate	68 to * - FL, FLH, FX
25	9197-68	WIRE, lamp to fender terminal	63 to * - FL, FLH, FX
26	9199-64	BULB, pilot and fender lamp - 12 V.	65 to * - FL, FLH, FX
27	9206-38	INSULATING WASHER, fender terminal (2)	63 to * - FL, FLH, FX



SPOTLAMPS, PASSING LAMPS AND PURSUIT LAMPS

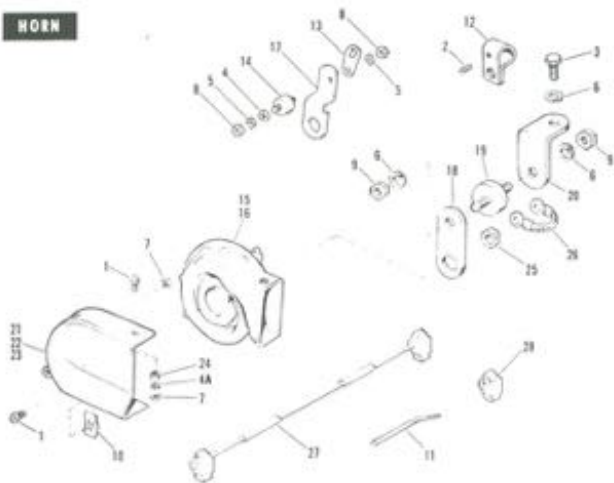
INDEX NO.	PART NO.	NAME	USED ON
1	1302	SCREW, No. 10-24 x 5/8 Pozidriv (1), (4)	68 50* - FL, FLH
2	2580	SCREW, No. 8-32 x 5/16 Pozidriv pan hd.	70 50* - FL, FLH
3	2622	SCREW, No. 8-32 x 7/16 Pozidriv pan hd.	70 50* - FL, FLH
4	3200B	SET SCREW, No. 8-32 x 3/16 socket hd. (2)	68 50* - FL, FLH
5	3956	BOLT, 5/16-24 x 9/16 hex. hd. (2)	68 50* - FL, FLH
6	3960W	BOLT, 5/16-24 x 1 hex. hd. (2)	68 50* - FL, FLH
7	6189W	WASHER, No. 8 x 3/8 x 3/32	70 50* - FL, FLH
8	7043	LOCKWASHER, No. 10 (8)	68 50* - FL, FLH
9	7041	LOCKWASHER, 5/16 (4)	68 50* - FL, FLH
10	7111	LOCKWASHER, No. 8 (4)	68 50-69 - FL, FLH
11	7242W	LOCKWASHER, 5/8 external tooth (2)	68 50* - FL, FLH
12	7608	NUT, No. 8-32 x 3/8 x 3/8 hex. (1)	68 50* - FL, FLH
13	7629W	LOCKNUT, No. 8-32 x 3/16 x 3/8 hex.	70 50* - FL, FLH
14	7774	WELD NUT, spotlight bracket	68 50* - FL, FLH
15	7778	LOCKNUT, 3/8-16 x 7/16 x 9/16 hex. (2)	68 50* - FL, FLH
16	9932	MOUNTING CLIP, flasher	68 50-68 - FL, FLH

SPOTLAMPS, PASSING LAMPS AND PURSUIT LAMPS (CONT'D)

INDEX	PART NO.	NAME	USED ON
17	9076	CLAMP, switch wires (2)	49 to * - FL, FLH
18	10001	CLAMP, handlebar switch (2)	49 to * - FL, FLH
19	10002	WIRE CLIP (2)	62 to 65 - FL, FLH
20	10006	CABLE STRAP (2)	70 to * - FL, FLH
	98575-26	CROSS BAR, handlebar (mount spotlamps & accessories)	37 to * - FL, FLH
		Includes:	
	30746	BOLT, 5-16-24 x 3/4 hex, M6 (2)	
	7543	LOCKWASHER, 5/16 (2)	
	7753	NUT, 5-16-24 x 1/4 x 1/2 hex	
	98581-26	CLAMP, bar to handlebar (2)	
21	98102-49	SPACER, spotlamp brackets (2)	62 to * - FL, FLH
22	97940-70	LABEL, headlamp housing	70 to * - FL, FLH
23	97944-70	TOGGLE SWITCH, spotlamp	70 to * - FL, FLH
24	97946-70	NUT, toggle switch	70 to * - FL, FLH
25	98519-68	MOUNTING BRACKET, direction lamp	68 to * - FL, FLH
	98509-67	FLASHER TERMINAL SCREW KIT (3 terminal flasher)	49 to 70 - FL, FLH
26	98543-64	FLASHER - 12 V.	65 to * - FL, FLH
	98596-70	SET OF PURSUIT LAMPS AND FITTINGS - 12 V. (blue lens)	70 to * - FL, FLH
	98600-70	SET OF PASSING LAMPS AND FITTINGS - 12 V.	70 to * - FL, FLH
	98603-70	SET OF PURSUIT LAMPS AND FITTINGS - 12 V. (red lens)	70 to * - FL, FLH
27	98608-62	MOUNTING BRACKET, left	62 to * - FL, FLH
	98609-70	SET OF PURSUIT LAMPS AND FITTINGS 12 V. (less Rayker)	70 to * - FL, FLH
28	98604-62	MOUNTING BRACKET, right	62 to * - FL, FLH
	98604-70	SET OF PURSUIT LAMPS AND FITTINGS 12 V. (red lens - both types)	70 to * - FL, FLH
	98605-70	SET OF PURSUIT LAMPS AND FITTINGS, (1 - red) (1 - white)	70 to * - FL, FLH
29	98621-63A	SPOTLAMP WIRE (2)	62 to * - FL, FLH
30	98652-64B	PASSING LAMP (clear lens) - 12 V.	62 to * - FL, FLH
	98656-64	PURSUIT LAMP (red lens) - 12 V.	62 to * - FL, FLH
31	98658-70	PURSUIT LAMP KIT - right (red lens) - 12 V.	70 to * - FL, FLH
32	98662-38	RED LENS	41 to 71 - FL, FLH
33	98668-38	DOOR, spotlamp	41 to 71 - FL, FLH
34	98672-38	SCREW, spotlamp door	41 to * - FL, FLH
35	98673-38	LENS GASKET	41 to 71 - FL, FLH
36	98674-48	PASSING LAMP SEALED UNIT - 12 V. (2)	Later 69 to * - FL, FLH
37	98676-49	REFLECTOR, spotlamp	Later 49 to 51 - FL, FLH
38	98691-38	GRINDWET, lamp wire	41 to * - FL, FLH
	98696-69	WIRE CLIP, passing lamp (2)	Later 69 to * - FL, FLH
39	98692-38	SWIVEL STUD	41 to 71 - FL, FLH
40	98693-38	SWIVEL WASHER (2)	41 to * - FL, FLH
41	98694-38	SWIVEL WASHER, flare	41 to 71 - FL, FLH
42	98696-38	SWIVEL BOLT	41 to 71 - FL, FLH
43	98715-49	BULB, spotlamp - 6 V.	49 to 64 - FL, FLH
	98715-64	BULB, spotlamp - 12 V.	65 to 71 - FL, FLH
44	98720-62	CLAMP BLOCK (2)	62 to 67 - FL, FLH
			70 to * - FL, FLH
45	98721-62	SWIVEL BLOCK (2)	62 to * - FL, FLH
46	98723-62	ADAPTER BUSHING (2) (to mount old-style lamps to new-style brackets)	67 to 71 - FL, FLH
47	98725-62	LAMP MOLDING, spotlamp and pursuit lamp	62 to * - FL, FLH
48	98726-62	SPOTLAMP SEALED UNIT (clear lens) - 6 V.	62 to 64 - FL, FLH
	98726-64	SPOTLAMP SEALED UNIT (clear lens) - 12 V.	65 to * - FL, FLH
	98727-62	PURSUIT LAMP SEALED UNIT (red lens) - 6 V.	62 to 64 - FL, FLH
	98727-64A	PURSUIT LAMP SEALED UNIT (red lens) - 12 V.	65 to * - FL, FLH
	98728-64	PURSUIT LAMP SEALED UNIT (blue lens) - 12 V.	65 to * - FL, FLH
49	98780-68	SUPPORT BAR	68 to * - FL, FLH
50	98795-68	CLAMP BRACKET, spotlamp (2)	68 to * - FL, FLH
51	98797-68	END PLUG, spotlamp bracket (2)	68 to * - FL, FLH
52	70060-29	HANDLEBAR SWITCH, with wires (two wire)	41 to * - FL, FLH
53	70128-65B	HANDLEBAR SWITCH, with wires (two wire)	68 to 69 - FL, FLH
54	70249-70	WIRE, passing lamp (grey) (2)	70 to * - FL, FLH
55	70418-61	FLASHER WIRE, yellow	49 to 63 - FL, FLH
56	70419-61	FLASHER WIRE, red	49 to 63 - FL, FLH
57	70426-70	CABLE, flasher terminals (2)	70 to * - FL, FLH
58	70430-70	WIRE, toggle switch - passing lamp, blue (2)	70 to * - FL, FLH
59	70574-68	WIRE CONNECTOR (2)	68 to * - FL, FLH
60	71847-70	SWITCH HOUSING, pursuit lamp	70 & 71 - FL, FLH

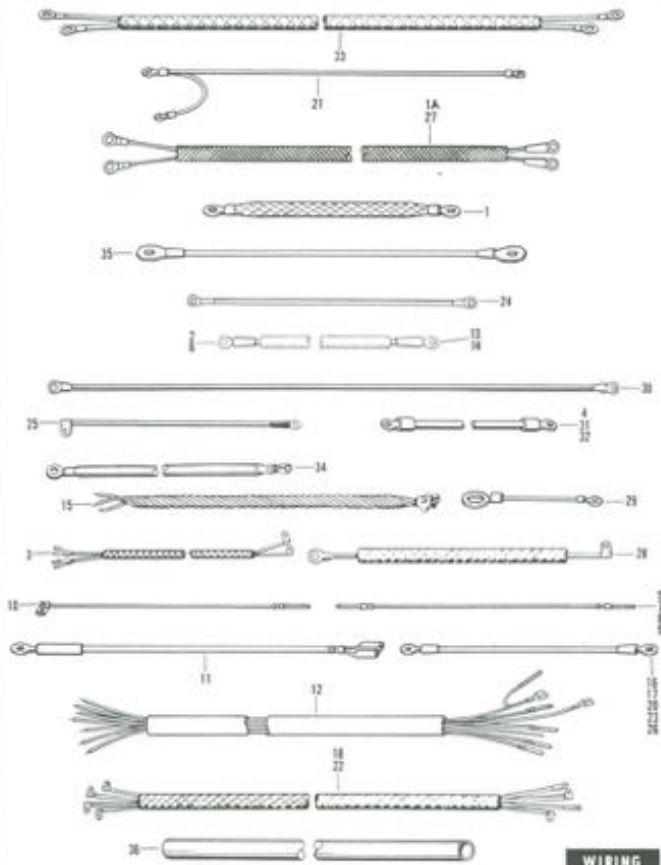
NOTE: Asterisk (*) indicates part is used for latest model year shown to cover.

HORN



HORN

INDEX NO.	PART NO.	NAME	USED ON
1	1719W	SCREW, No. 8-32 x 5/8 PhnL, Hd. (3)	70 to * - FL, FLH, FX
2	3206B	SET SCREW, No. 8-32 x 3/32 socket Hd. (2)	70 to * - FL, FLH, FX
3	3956	BOLT, 5/16-24 x 5/16 hex. hd.	68 to * - FL, FLH
4	4763	WASHER, 1/4 x 5/8 x 1/16	73 to * - FX
14	7015	LOCKWASHER, No. 8 (2)	70 to * - FL, FLH, FX
5	7036	LOCKWASHER, 1/4 (2)	73 to * - FX
6	7041	LOCKWASHER, 5/16 (2)	54 to * - FL, FLH, FX
7	7698	NUT, No. 8-32 x 1.8 x 11/32 hex. (2)	70 to * - FL, FLH, FX
8	7688	NUT, 1/4-20 x 7/32 x 2/34 hex. (2)	73 to * - FX
9	7749W	NUT, 5/16-18 x 17/64 x 1/2 hex. (2)	65 to * - FL, FLH, FX
10	8225	SPEED NUT, horn cover	70 to Early 76 - FL, FLH, FX
11	9306	PLASTIC STRAP, horn wire for frame (2)	70 to * - FL, FLH, FX
12	10025	CLAMP, horn to frame (1 or 2)	70 to * - FL, FLH, 70-73 FX
13	98629-48	GAS LINE GUIDE	73 to * - FX
14	62543-40	RUBBER MOUNT, horn - 1/4-20 threads	73 to * - FX
15	69000-76	HORN, standard	Late 76 to * - FL, FLH, FX
	69003-76	TWIN HORN KIT	Late 76 to * - FL, FLH, FX
	69009-76	HORN ASSEMBLY, complete	Late 76 to * - FX
16	69016-76	HORN, high note	Late 76 to * - FL, FLH, FX
	69017-76	COVER ASSEMBLY	Late 76 to * - FL, FLH, FX
17	69116-73	BRACKET, horn mounting	73 to * - FX
18	69117-65	MOUNTING PLATE, horn	65 to * - FL, FLH, 71 & 72 - FX
19	69125-65	RUBBER MOUNT, horn - 5/16-18 threads	65 to * - FL, FLH, 71 & 72 - FX
20	69131-68	MOUNTING BRACKET, horn	65 to * - FL, FLH
	69130-68C	HORN MOUNTING BRACKET, with rubber mount	65 to * - FL, FLH
21	69138-65	COVER, low note horn (standard FX)	70 to Early 76 - FX
22	69140-76	COVER, low note horn (standard FX)	Late 76 to * - FX
23	69141-70	COVER, high note horn	70 to Early 76 - FL, FLH, FX
24	69144-65	SPACER, horn cover	70 to Early 76 - FL, FLH, FX
25	69149-65	NET, horn mounting	65 to * - FL, FLH, FX
26	70016-45A	GROUND STRAP, horn	Late 68 to * - FL, FLH, FX
27	70118-70	CABLE ASSEMBLY, twin horn	70 to * - FL, FLH, FX
	70576-68	WIRE CONNECTOR	70 to * - FL, FLH, FX
28	70584-69	INSULATOR, flag terminal (2)	70 to * - FL, FLH, FX



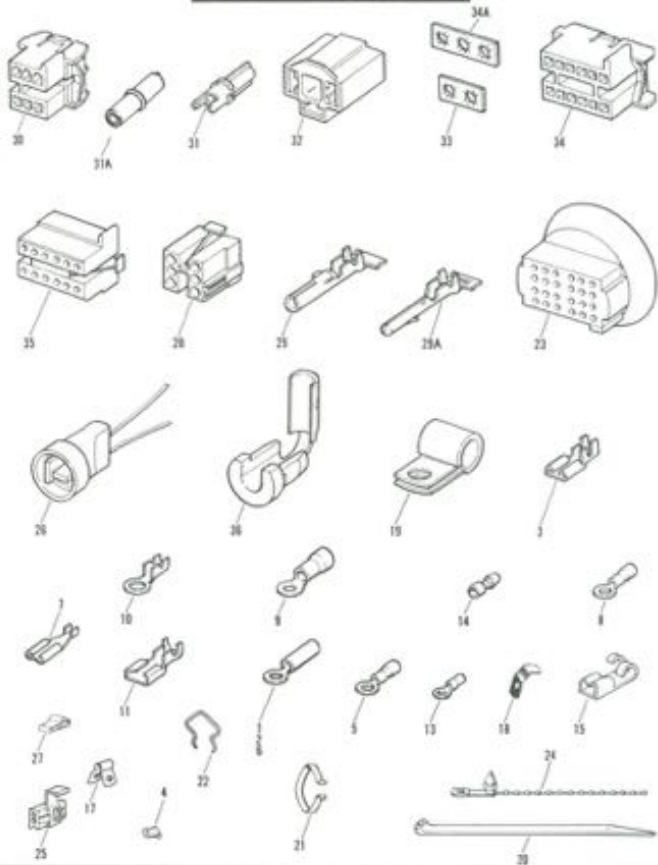
WIRING

WIRING

INDEX	PART NO.	NAME	USED ON
1	21690-45A	GROUND STRAP, regulator	65 to 69 - FL, FLH
1A	32890-41	WIRING HARNESS, circuit breaker to coil	61 to 64 - FL, FLH
2	32890-45	WIRE, circuit breaker to coil	65 to 69 - FL, FLH
3	33063-45A	WIRING HARNESS, aux., inc. switch to terminal box	Late 65 to 70 - FL, FLH, FX
4	30069-45A	CABLE, solenoid to starter & battery (2) (electric starter)	Late 65 to * - FL, FLH, FX
5	30071-74	HEADLAMP CABLE ASSEMBLY, blue	75 to * - FX
6	30072-45	WIRE, solenoid switch to terminal plate (electric starter)	65 - FL, FLH
7	30073-74	HEADLAMP CABLE ASSEMBLY, brown	75 to * - FX
8	30073-74	HEADLAMP CABLE ASSEMBLY, white	75 to * - FX
9	30074-74	HEADLAMP CABLE ASSEMBLY, orange	75 to * - FX
10	30075-74	HEADLAMP CABLE ASSEMBLY, orange	75 to * - FX
11	30076-74	HEADLAMP CABLE ASSEMBLY, black	75 to * - FX
12	30079-75	WIRING HARNESS, left handlebar (Buckhorn)	75 to * - FX
13	30086-73	WIRE, starter solenoid to starter relay (FX Kit only - no FXE)	73 to * - FX
14	30088-73	WIRE, battery positive to starter relay (FX Kit only - no FXE)	73 to * - FX
	30089-73	WIRE, starter relay mounting to starter motor thru-bolt	73 - FX
15	30101-40	CABLE, headlamp switch (Buckhorn turn)	40 to 69 - FL, FLH
	30105-73	WIRE, fuseless link (batt. positive to starter relay)	73 to * - FL, FLH, FX
16	30144-73	WIRE, ignition switch terminal 2 & 4	73 to * - FL, FLH
17	30145-73	WIRE, ignition switch terminals 1 & 3	73 to * - FL, FLH
18	30146-40B	WIRING HARNESS, instrument panel to link	58 to 61, 65 to 69 - FL, FLH
20	30158-73	WIRE, ignition switch terminal 5 and ignition circuit breaker	73 to * - FL, FLH
21	30159-73A	WIRE, ignition switch terminal 6 and lights circuit breaker	73 to * - FL, FLH
22	30160-40A	WIRING HARNESS, inst. panel to terminal box	40 to 44 - FL, FLH
	30160-45A	WIRING HARNESS, inst. panel to terminal plate	65 to 69 - FL, FLH
23	30160-73	WIRE, ignition switch terminal 4 and accessory circuit breaker	73 to * - FL, FLH
24	30161-60	CABLE, terminal box to regulator	Late 65 to 69 - FL, FLH
25	30167-47	IGNITION WIRE	40 to 69 - FL, FLH
26	30169-70	WIRE, starter relay to starter motor mount (black)	70 to * - FL, FLH
27	30170-40	WIRING HARNESS, generator to regulator	65 to 69 - FL, FLH
28	30182-40	WIRE, spark coil to terminal box	65 to 69 - FL, FLH
29	30191-73A	WIRE, handlebar ground	Late 73 to * - FX
30	30209-41	BATTERY GROUND WIRE	40 to 64 - FL, FLH
31	30209-45A	BATTERY GROUND CABLE	65 to * - FL, FLH
	30255-73	MAIN WIRING HARNESS (kick start)	Late 73 - FX
	30255-74	MAIN WIRING HARNESS (kick start)	74 - FX
	30281-47	TAIL LAMP WIRE (red)	47 to * - FL, FLH
	30282-47	TAIL LAMP WIRE (black)	47 to * - FL, FLH
32	30313-71	BATTERY GROUND CABLE	71 to * - FX
	30320-70	MAIN WIRING HARNESS	70 - FL, FLH
	30320-73A	MAIN WIRING HARNESS	71 & 72 - FL, FLH
	30320-73A	MAIN WIRING HARNESS	73 to * - FL, FLH
	30321-45	COMPLETE SET OF LOW TENSION WIRING	65 to 69 - FL, FLH
	30326-70	MAIN WIRING HARNESS	71 & 72 - FX
	30326-73A	MAIN WIRING HARNESS (electric start)	73 to * - FX
	30326-75	MAIN WIRING HARNESS (kick start)	75 - FX
	30326-76	MAIN WIRING HARNESS (kick start)	76 to * - FX
33	30330-40	WIRING HARNESS, terminal box to straight switch	65 to 69 - FL, FLH
	30343-70	MAIN WIRING HARNESS (electric start)	70 - FX
	30343-76	MAIN WIRING HARNESS (electric start)	76 to * - FX
	30378-73	WIRE, wiring harness to starter relay center terminal	73 - FX
34	30456-73	WIRE, circuit breaker to coil	70 to * - FL, FLH, FX
35	30461-47	WIRE, battery ground (electric start)	75 to * - FX
36	30551-49	CONDUIT, 1/8 I.D. x 10 ft. lg. black vinyl (no flame)	41 to * - FL, FLH, FX
	30552-49	CONDUIT, 3/8 I.D. x 10 ft. lg. black vinyl	41 to * - FL, FLH, FX
	30553-49	CONDUIT, 7/16 I.D. x 10 ft. lg. black vinyl	41 to * - FL, FLH, FX
	30554-49	CONDUIT, 1/4 I.D. x 10 ft. lg. black vinyl	41 to * - FL, FLH, FX
	30555-49	CONDUIT, 1/8 I.D. x 10 ft. lg. black vinyl (no flame)	41 to * - FL, FLH, FX
	30556-71	CONDUIT, 5/16 I.D. x 10 ft. lg. black vinyl	41 to * - FL, FLH, FX
	30558-71	CONDUIT, 1/2 I.D. x 10 ft. lg. black vinyl	41 to * - FL, FLH, FX
	30559-71	CONDUIT, 1/8 I.D. x 10 ft. lg. black vinyl	41 to * - FL, FLH, FX
	81704-15	BRAIDED CABLE, 16 strand (soft black)	48 to * - FL, FLH, FX

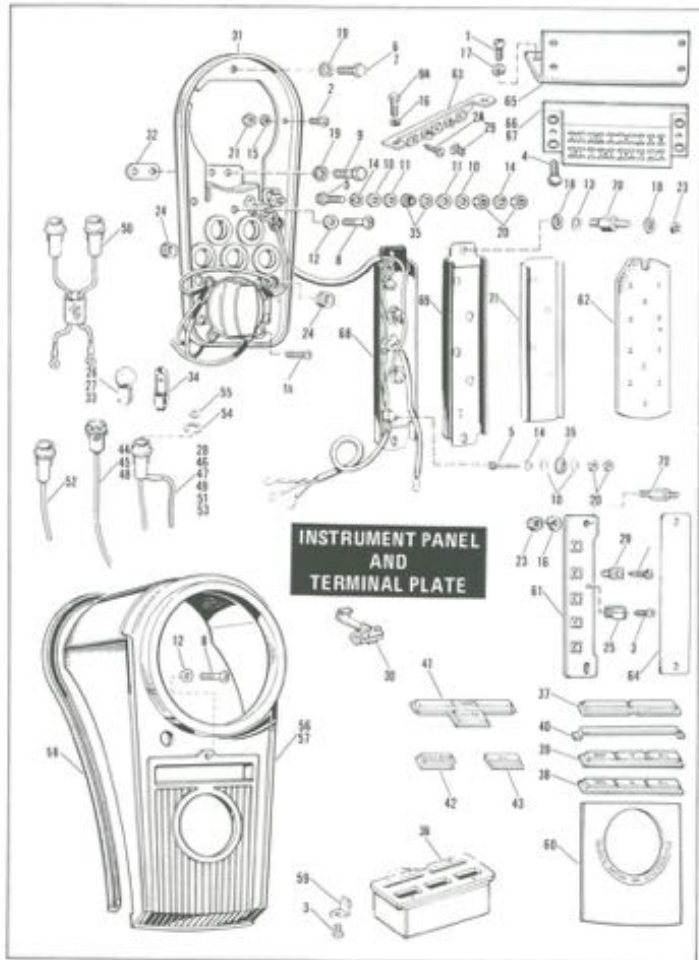
NOTE: Asterisk (*) indicates part is used for latest model year shown in cover.

MISCELLANEOUS ELECTRICAL



MISCELLANEOUS ELECTRICAL

INDEX NO.	PART NO.	NAME	USED ON
1	9662	WIRE TERMINAL, ring type - 1/4 dia. hole - #14-16 wire.....	Late 75 to * - FX
2	9671	WIRE TERMINAL, ring type - No. 6 dia. hole - #14-16 wire.....	74 to * - FL, FLH
3	9676	WIRE TERMINAL, female spade type - #16-22 wire.....	Late 75 to * - FX
4	9901	WIRE TERMINAL, ring flag type - 5/32 dia. hole - #14-16 wire.....	48 to * - FL, FLH, FX
5	9902	WIRE TERMINAL, ring type - 3/16 dia. hole - #14-16 wire.....	48 to * - FL, FLH, FX
6	9903	WIRE TERMINAL, ring type - 1/8 dia. hole - #16-22 wire.....	48 to * - FL, FLH, FX
7	9904	WIRE TERMINAL, female spade type - 1/8 slot - #16-22 wire.....	48 to * - FL, FLH, 73 to * - FX
8	9905	WIRE TERMINAL, 1/4 dia. cap type - #18-22 wire.....	48 to * - FL, FLH, FX
9	9909	WIRE TERMINAL, ring type - 3/16 dia. hole - #10-12 wire.....	48 to * - FL, FLH, FX
10	9910	WIRE TERMINAL, ring type - 1/4 dia. hole - #14-16 wire (w-clamp)...	73 to * - FL, FLH
11	9911	WIRE TERMINAL, female spade type - #14-16 wire.....	75 to Late 75 - FX
12	9914	WIRE TERMINAL, female spade type - 1/4 slot.....	48 to * - FL, FLH, FX
13	9918	WIRE TERMINAL, ring type - 1/4 dia. hole - #14-16 wire.....	48 to * - FL, FLH, FX
14	9920	WIRE TERMINAL, ring type - 5/16 dia. hole - #8 wire.....	48 to * - FL, FLH, FX
15	9924	WIRE TERMINAL, sound plug type (used with 9929).....	48 to * - FL, FLH
16	9925	WIRE TERMINAL, female flag type - 1/4 slot - #16-18 wire.....	48 to * - FL, FLH, FX
17	9926	WIRE TERMINAL, ring type - 5/16 dia. hole - #14-16 wire.....	48 to * - FL, FLH, FX
18	9931	WIRE TERMINAL, female spade type - 3/64 slot - #16-20 wire.....	48 to * - FL, FLH, FX
19	9932	WIRE TERMINAL, ring type - 3/16 dia. hole - #18-22 wire.....	48 to * - FL, FLH, FX
20	9944	WIRE TERMINAL, ring type - 3/8 dia. hole - #8 wire.....	48 to * - FL, FLH, FX
21	9945	WIRE TERMINAL, ring type - 5/16 dia. hole - #10-12 wire (w-clamp)...	48 to * - FL, FLH, FX
22	9957	CLIP, spark coil.....	Late 68 to * - FL, FLH, FX
23	9970	CLIP, front spark plug cable.....	41 to * - FL, FLH, FX
24	9971	CLIP, inner wire to distributor.....	41 to 65 - FL, FLH
25	9990W	CLAMP, starter relay wires (2).....	74 to * - FX
26	10006	PLASTIC STRAP (black).....	Late 68 to * - FL, FLH, FX
27	10007	PLASTIC STRAP (white).....	Late 68 to 72 - FL, FLH, FX
28	10612	WIRE CLIP, cables to frame.....	41 to * - FL, FLH, FX
29	10682-73	CLIP, fan/fuse wires (4).....	72 to * - FL, FLH, FX; 72 to 76 - FXE
30	67639-74	BOOT, headlamp connector (FX Kit only - no FXE).....	75 to * - FX
31	70025-70	CABLE STRAP (2).....	70 to * - FL, FLH, FX
32	70576-60	WIRE CONNECTOR.....	48 to * - FL, FLH, FX
33	70678-71	CONNECTOR, transmission neutral switch.....	71 & 72 - FL, FLH, FX
34	70864-69	INSULATOR, flag terminal.....	70 to * - FL, FLH, FX
35	72037-71	CONNECTOR, six socket.....	75 to * - FX
36	72038-71	SOCKET, single pin.....	73 to * - FL, FLH, FX
37A	72039-71	PIN, single socket.....	73 to * - FL, FLH, FX
38	72043-71	CONNECTOR, six pin.....	75 to * - FX
39	72043-71	CONNECTOR, single pin.....	73 to * - FL, FLH
40	72044-71	CONNECTOR, single socket.....	73-75 - FX, FXE
41	72047-71	INSULATOR, spade terminal - headlamp wiring harness.....	73 to * - FX
42	72275-74	CONNECTOR TAB, 2 terminal (5).....	75 to * - FL, FLH, FX
43	72276-74	HOUSING, pin.....	75 to * - FX
44A	72277-74	CONNECTOR TAB, 3 terminal (2).....	75 to * - FX
45	72278-74	HOUSING, socket.....	75 to * - FX
46	72501-74	BUSHING, straight.....	75 to * - FX
47	72502-74	BUSHING, right angle.....	75 to * - FX



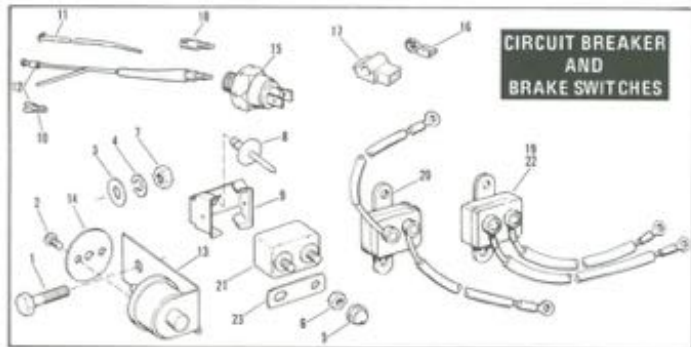
INSTRUMENT PANEL AND TERMINAL PLATE

INDEX NO.	PART NO.	NAME	USED ON
1	2583	SCREW, No. 10-32 x 3/8 Phenolic pan hd. (2)	70 to * - FL, FLH
1A	2589	SCREW, No. 6-32 x 1/4 Phosphor pan hd.	71 to * - FL, FLH, FX
2	2596	SCREW, No. 12-24 x 3/8 Phosphor pan hd. (2)	71 & 72 - FX, 47 to * - FL, FLH
3A	2623B	SCREW, No. 8-15 x 5/8 self-tapping pan hd. (20)	70 to * - FL, FLH, FX
3	2620M	SCREW, No. 8-32 x 5/16 self-tapping rd. hd. (22)	68 to * - FL, FLH, FX
4	2750	SCREW, No. 6-32 x 3/4 self-tapping rd. hd. (4)	70 to * - FL, FLH
5	3891	SCREW, No. 8-32 x 5/8 hex. hd. (8)	48 to 69 - FL, FLH
6	3932	BOLT, 5-16-18 x 7/16 hex. hd. (3)	56 to 67 - FL, FLH
7	3959	BOLT, 5-16-18 x 9/16 hex. hd.	71 & 72 - FX; 68 to * - FL, FLH
8	3982W	SCREW, 1-4-20 x 1-3/4 Phillips hd.	68 to 70 - FL, FLH
9	3987	BOLT, 5-16-18 x 3/4 hex. hd. (2)	68 to * - FL, FLH, 71 & 72 - FX
9A	4028B	BOLT, 5-16-24 x 1-1/4 hex. hd. (2)	71 to 74 - FX
10	6122W	WASHER, 1/16 x 7/16 x 1/32 (8)	48 to 69 - FL, FLH
11	6185	WASHER, 1/16 x 1/2 x 1/16 (8)	48 to 69 - FL, FLH
12	6220W	WASHER, 1/4 x 7/16 x 1/32	68 & 69 - FL, FLH
13	6792	WASHER, 5/16 x 11/16 x 1/16 (as req.)	48 to 69 - FL, FLH
14	7015	LOCKWASHER, No. 8 (4)	48 to 69 - FL, FLH
15	7016W	LOCKWASHER, No. 12	71 & 72 - FX; 47 to * - FL, FLH
16	7041	LOCKWASHER, 5/16 (2)	70 to * - FL, FLH, FX
17	7065	LOCKWASHER, No. 10 (2)	70 to * - FL, FLH
18	7127	LOCKWASHER, 5/16 internal tooth	48 to 69 - FL, FLH
19	7252	LOCKWASHER, 5/16 external tooth (3)	71 & 72 - FX; 48 to * - FL, FLH
20	7608	NUT, No. 8-32 x 1/8 x 5/16 hex.	48 to 69 - FL, FLH
21	7654W	NUT, No. 12-24 x 5/32 x 7/16 hex. (2)	71 & 72 - FX; 47 to * - FL, FLH
22	7753	NUT, 5-16-24 x 1/4 x 1/2 hex. (2)	48 to * - FL, FLH, FX
24	11830	GROMMET, instrument panel (2)	71 & 72 - FX; 70 to * - FL, FLH
25	38712-68	CLAMP	70 to * - FL, FLH, FX
26	6842-49	BULB, signal lamps - 6 V. (3)	55 to 64 - FL, FLH
27	6842-44	BULB, signal lamps - 12 V. (3)	71 & 72 - FX; 45 to * - FL, FLH
28	6850-71	SOCKET, neutral indicator	73 to * - FL, FLH
29	70574-68	EXPANSION NUT, terminal board (5)	70 to * - FL, FLH, FX
30	70576-68	WIRE CONNECTOR	70 to * - FL, FLH, FX
31	70934-68A	INSTRUMENT PANEL BASE, complete, less speedometer	68 & 69 - FL, FLH
	70935-73	INSTRUMENT PANEL BASE	73 to * - FL, FLH
	70952-68	INSTRUMENT PANEL BASE	68 & 69 - FL, FLH
	70952-70	INSTRUMENT PANEL BASE	70 - FL, FLH
	70952-71	INSTRUMENT PANEL BASE	71 & 72 - FL, FLH, FX
32	71027-68	SPACER - .030 thick	71 & 72 - FX; 68 to * - FL, FLH
	71028-68	SPACER - .040 thick	71 & 72 - FX; 68 to * - FL, FLH
	71029-68	SPACER - .120 thick	71 & 72 - FX; 68 to * - FL, FLH
33	71090-47	BULB, speedometer lamp - 6 V.	47 to 64 - FL, FLH
34	71090-64	BULB, speedometer lamp - 12 V.	71 & 72 - FX; 65 to * - FL, FLH
35	71098-38	INSULATOR, terminal screw (9)	40 to 69 - FL, FLH
36	71134-68	SUPPORT, indicator lamp lens	71 & 72 - FX; 68 to * - FL, FLH
37	71138-68	LENS, direction lamp	71 & 72 - FX; 68 to 74 - FL, FLH
38	71139-68	LENS, warning lamps	68 & 69 - FL, FLH
39	71139-70	LENS, warning lamps	71 & 72 - FX; 70 to 74 - FL, FLH
40	71141-68	RETAINER, indicator lamp lens	71 & 72 - FX; 68 to * - FL, FLH
41	71143-70	LENS, direction lamp	75 to * - FL, FLH
42	71144-70	LENS, high beam	75 to * - FL, FLH
43	71145-70	LENS, oil indicator	75 to * - FL, FLH
44	71151-48	SOCKET, speedometer lamp	48 to 69 - FL, FLH
45	71151-70	SOCKET, speedometer lamp	71 & 72 - FX; 70 to 73 - FL, FLH
46	71156-47	SOCKET, neutral indicator lamp (bothshift)	59 to 67 - FL, FLH
47	71158-47	SOCKET, generator signal lamp	47 to 67 - FL, FLH
48	71159-73	SOCKET, speedometer lamp	73 to * - FL, FLH
49	71161-66	SOCKET, oil signal lamp	68 & 69 - FL, FLH
50	71161-68	SOCKET, warning lamp (2)	68 & 69 - FL, FLH
51	71162-70	SOCKET, oil signal lamp	70 to 72 - FL, FLH, FX
52	71163-70	SOCKET (4) (3-1973 & later)	70 to * - FL, FLH; 71 & 72 - FX
53	71166-70	SOCKET, oil signal lamp	73 to * - FL, FLH
54	71182-47	WASHER, signal lamp socket	71 & 72 - FX; 47 to * - FL, FLH
55	71183-67	FIBRE WASHER, lamp socket	47 to 67 - FL, FLH
	71193-67	WIRE, lamp socket (green)	71 & 72 - FX; 47 to * - FL, FLH
56	71241-68A	COVER, instrument panel (chrome)	71 & 72 - FX; 68 to * - FL, FLH
57	71244-68A	COVER, instrument panel (sprink)	71 & 72 - FX; 68 to * - FL, FLH
58	71293-68	GASKET, instrument panel cover	71 & 72 - FX; 68 to * - FL, FLH

NOTE: Asterisk (*) indicates part is used for latest model year shown on cover.

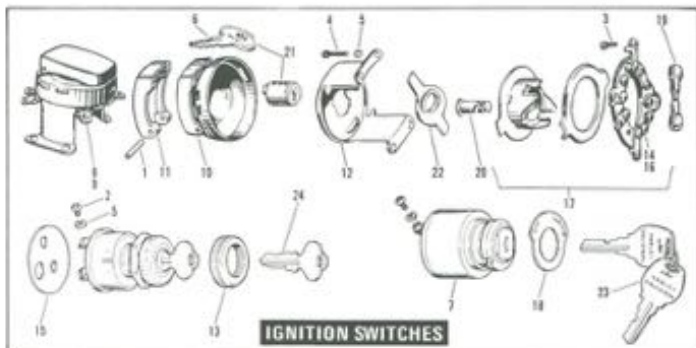
INSTRUMENT PANEL AND TERMINAL PLATE (CONT'D)

INDEX NO.	PART NO.	NAME	USED ON
55	71297-43	CLIP, lens support (2)	71 & 72 - FX, 66 to * - FL, FLH
60	71300-68A	PLATE, ignition switch	68 to * - FL, FLH, 71 & 72 - FX
61	72300-70	TERMINAL PLATE	70 to * - FL, FLH, FX
62	72301-49	TERMINAL PLATE	49 to 69 - FL, FLH
63	72303-70	TERMINAL PLATE, complete	71 to 74 - FX
64	72305-70	INSULATOR (between terminal plate and bracket)	70 to * - FL, FLH, FX
65	72310-70	BRACKET, terminal block	70 to * - FL, FLH
66	72311-70	TERMINAL BLOCK	70 to 72 - FL, FLH
67	72312-72	TERMINAL BLOCK	73 to * - FL, FLH
68	72325-48	TERMINAL BOX	48 to 69 - FL, FLH
69	72335-48	COVER, terminal box	48 to 69 - FL, FLH
70	72341-56A	STUD, terminal box and terminal plate (2)	56 to * - FL, FLH, FX
71	72345-48	INSULATOR, terminal box	48 to 69 - FL, FLH



CIRCUIT BREAKER AND BRAKE SWITCHES

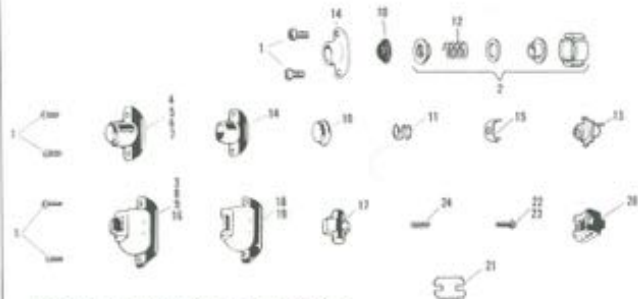
INDEX NO.	PART NO.	NAME	USED ON
1	2522W	BOLT, 1/4-20 x 1 hex. hd.	23 to * - FX
2	26309	SCREW, No. 8-32 x 1-15 rd. hd. (2)	23 to * - FX
3	6703	WASHER, 3/4 x 5/8 x 1/16	23 to * - FX
4	7036	LOCKWASHER, 1/4	23 to * - FX
5	7602	ACORN NUT, No. 10-32 nylon (4)	Late 74 to * - FL, FLH
6	7636	NUT, No. 10-32 x 1/8 x 3/8 (6)	23 to * - FL, FLH, FX
7	7688	NUT, 1/4-20 x 7/32 x 7/16 hex.	23 to * - FX
8	8483	POP RIVET, circuit breaker clip (3)	23 to * - FL, FLH, FX
9	8952	CLIP, circuit breaker (3)	23 to * - FL, FLH, FX
10	8931	TERMINAL, brake light switch	20 to * - FL, FLH, FX
11	10007	CABLE STRAP, switch cable to handlebar (2)	Late 69 to * - FL, FLH, FX
12	11800-70	STOPLIGHT SWITCH, foot - with terminals	Late 69 to 71 - FL, FLH, 71 & 72 - FX
13	72013-70	STOPLIGHT SWITCH, rear	23 to * - FX
14	72015-29	INSULATOR, rear stoplight switch	23 to * - FX
15	72023-01	STOPLIGHT SWITCH, rear Includes: 9925 WIRE TERMINAL, female flag type - 1/4 slot - # 36-18 wire (2) 70584-69 INSULATOR, flag terminal (2)	58 to * - FL, FLH; 71 & 72 - FX
16	70584-69	INSULATOR, flag terminal (2)	72 to * - FL, FLH, 73 to * - FX
17	72024-71P	STOPLIGHT SWITCH, front	65 & Early 66 - FL, FLH
18	74585-65	CIRCUIT BREAKER CONVERSION KEY	70 to 72 - FL, FLH
19	74586-65	CIRCUIT BREAKER, only	29 to * - FL, FLH, FX
20	74586-70	CIRCUIT BREAKER, only	71 & 72 - FX
21	74589-73	CIRCUIT BREAKER (3)	73 to * - FL, FLH, FX
22	74594-71	CIRCUIT BREAKER, only	71 & 72 - FX
23	74998-73	CONNECTOR BAR, ignition and accessory circuit breakers	73 to * - FX



IGNITION SWITCHES

IGNITION SWITCHES

INDEX NO.	PART NO.	NAME	USED ON
1	612	ROLL PIN, keyhole cover	71 & 72 - FX, 68 to * - FL, FLH
2	2585	SCREW, No. 8-32 x 5-16 Posi-drive pan hd. (3)	73 to * - FX
3	2589	SCREW, No. 6-32 x 3/4 Posi-drive pan hd.	71 & 72 - FX, 41 to * - FL, FLH
4	2625	SCREW, No. 8-32 x 5/8 Posi-drive pan hd. (6)	71 & 72 - FX, 41 to * - FL, FLH
5	7015	LOCKWASHER, No. 8 (4)	41 to * - FL, FLH, FX
6	46155-30	KEY, ignition switch (specify letter and number of locks)	71 & 72 - FX, 48 to * - FL, FLH
7	70124-75	IGNITION AND LIGHT SWITCH, with keys	73 to * - FX
8	71500-36A	IGNITION AND LIGHT SWITCH, with lock	48 to 72 - FL, FLH, FX
9	70301-73	IGNITION AND LIGHT SWITCH, with lock	73 to * - FL, FLH
10	71506-36A	SWITCH COVER	71 & 72 - FX, 41 to * - FL, FLH
11	71510-36A	KEYHOLE COVER, with roll pin	71 & 72 - FX, 41 to * - FL, FLH
12	71514-36	SWITCH BASE	71 & 72 - FX, 41 to * - FL, FLH
13	71528-55A	NUT, ignition - light switch mounting	73 & 74 - FX
14	71525-36	PLATE, switch mounting	71 & 72 - FX, 41 to * - FL, FLH
15	70130-66	INSULATING DISC, ignition switch	72 & 74 - FX
16	73343-73	PLATE, switch mounting	73 to * - FL, FLH
17	71596-36	CONTACT HOLDER	71 & 72 - FX, 41 to * - FL, FLH
18	71550-75	LABEL, ignition switch	75 to * - FX
19	71560-36	CONTACT HOLDER	71 & 72 - FX, 41 to * - FL, FLH
20	71562-36	RETAINER, contact roller	71 & 72 - FX, 41 to * - FL, FLH
21	71580-36	SWITCH LOCK AND KEYS	71 & 72 - FX, 64 to * - FL, FLH
22	71587-36	PLATE, switch lock	71 & 72 - FX, 41 to * - FL, FLH
23	71623-75	SET OF IGNITION SWITCH KEYS (specify lock or key number)	75 to * - FX
24	71626-59	KEY, ignition switch (specify lock or key number) (71500-95A switch)	73 & 74 - FX



HANDLEBAR SWITCHES - OLD STYLE

HANDLEBAR SWITCHES - OLD STYLE

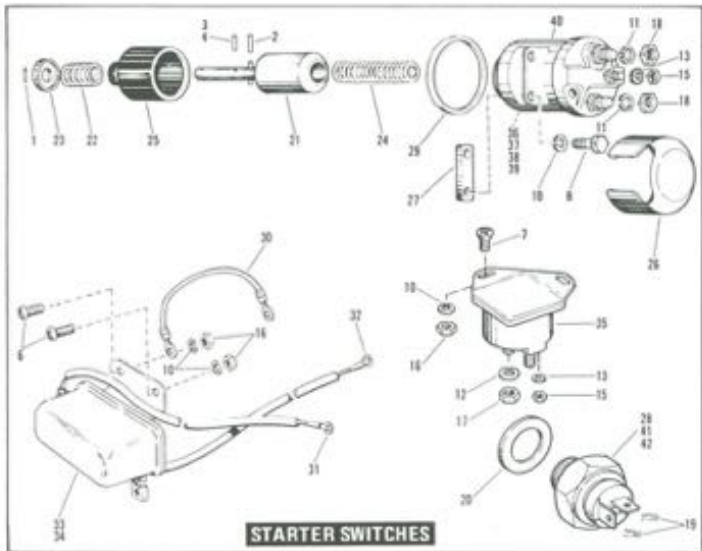
INDEX NO.	PART NO.	NAME	USED ON
1	204	SCREW, No. 0-32 x 1/4 Pozidriv pan hd. (2)	71 & 72 - FX, 41 to 71 - FL, FLH
2	7000-66	BUTTON SWITCH REPAIR KIT (2 wire)	71 & 72 - FX; 65 to 71 - FL, FLH
3	7000-29	HANDLEBAR SWITCH, with wires (three wire)	41 to 71 - FL, FLH
4	7000-64	BUTTON SWITCH ASSEMBLY	65 to 69 - FL, FLH
5	7000-70	BUTTON SWITCH, horn and starter (2)	70 & 71 - FL, FLH
6	70120-70	BUTTON SWITCH, engine cut-out	71 & 72 - FX
7	70121-70	BUTTON SWITCH, horn	71 & 72 - FX
8	70126-608	HANDLEBAR SWITCH, with wires (two wire)	68 & 69 - FL, FLH
9	71800-26A	BUTTON SWITCH ASSEMBLY	41 to 64 - FL, FLH
10	71802-26A	BUTTON, horn & starter switch	71 & 72 - FX; 41 to 71 - FL, FLH
11	71804-26	SPRING, horn switch	41 to 64 - FL, FLH
12	71804-61	SPRING, horn and starter switch	71 & 72 - FX; 65 to 71 - FL, FLH
13	71806-53	WIRE TERMINAL	41 to 64 - FL, FLH
14	71821-26	HOUSING, horn and starter switch	71 & 72 - FX; 41 to 71 - FL, FLH
15	71813-26	CONTACT, horn switch	41 to 64 - FL, FLH
16	71840-29	HANDLEBAR LIGHT SWITCH, complete, less wire	41 to 69 - FL, FLH
17	71841-29	LEVER, light switch	71 & 72 - FX; 41 to 71 - FL, FLH
18	71846-61	HOUSING, light switch	71 & 72 - FX; 41 to 71 - FL, FLH
19	71847-65	HOUSING, switch (external wires)	Late 65 to 69 - FL, FLH
20	71851-29	CONTACT BLOCK, light switch	71 & 72 - FX; 41 to 71 - FL, FLH
21	71856-61	PLATE, light switch contact retainer block	54 to Early 60, 71 & 72 - FX, Late 61 to 71 - FL, FLH
22	71859-29	PK, light switch contact (two position)	71 & 72 - FX; 41 to 71 - FL, FLH
23	71859-36A	PK, light switch contact (three position)	71 & 72 - FX; 41 to 71 - FL, FLH
24	71861-29	SPRING, light switch contact pin	71 & 72 - FX; 41 to 71 - FL, FLH

HANDLEBAR SWITCHES – NEW STYLE



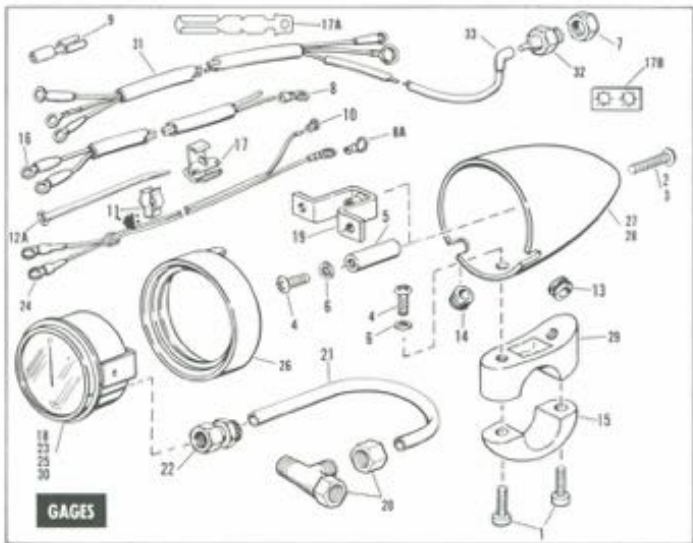
HANDLEBAR SWITCHES – NEW STYLE

INDEX NO.	PART NO.	NAME	USED ON
1	26598	SCREW, No. 10-24 x 1-1/8 Phillips Ht. Hd. (8)	72 to * - FL, FLH, 73 to * - FX
2	26599	SCREW, No. 6-32 x 1/4 Phillips Hd. (2)	72 to * - FL, FLH, 73 to * - FX
3	26546	SCREW, No. 6-32 x 1/2 Phillips Hd. (2)	72 to * - FL, FLH, 73 to * - FX
4	62208	WASHER, 1/4 x 7/16 x 1/32 (2)	73 to * - FX
5	27715-63P	RUBBER CAP, foot stoplight switch	72 to * - FL, FLH, FX
6	33426-72	CLAMP, left handlebar switch (handstop only)	72 to * - FL, FLH
7	46901-75	LABEL, dinner switch	73 & 74 - FL, FLH, FX
8	46901-75	LABEL, lights	75 to * - FL, FLH, FX
9	46902-75	LABEL, engine stop switch	73 & 74 - FL, FLH, FX
10	46902-75	LABEL, engine stop	75 to * - FL, FLH, FX
11	46903-75	LABEL, start	75 to * - FL, FLH, FXE
12	46904-75	LABEL, turn - R	75 to * - FL, FLH, FX
13	46905-75	LABEL, turn - L	75 to * - FL, FLH, FX
14	46906-75	LABEL, horn	75 to * - FL, FLH, FX
	70025-72	WIRING HARNESS, left handlebar switch	72 to * - FL, FLH
	70025-75	WIRING HARNESS, left handlebar switch	75 to * - FL, FLH
	70026-72	WIRING HARNESS, right handlebar switch	72 - FL, FLH
	70026-73	WIRING HARNESS, right handlebar switch	73 to * - FL, FLH
	70026-75	WIRING HARNESS, right handlebar switch	75 to * - FL, FLH
15	70051-72A	SWITCH ASSEMBLY, complete - left handlebar	72 to * - FL, FLH
16	70051-73A	SWITCH ASSEMBLY, complete - right handlebar (w/br.) (elect. start)	73 to * - FX
17	70051-73A	SWITCH ASSEMBLY, complete - right handlebar	72 to * - FL, FLH
	70064-71	WIRING HARNESS, left handlebar switch	73 to * - FX
18	70067-73A	SWITCH ASSEMBLY, complete - left handlebar (w/br.)	Late 73 to * - FX
	70076-75	WIRING HARNESS, right handlebar switch	75 to * - FX
	70079-75	WIRING HARNESS, left handlebar switch	75 to * - FX
19	70120-73	SWITCH ASSEMBLY, complete - right handlebar (w/o br.)	Early 73 - FX
	70179-73	WIRING HARNESS, right handlebar switch (w/br.)	73 to * - FX
20	71483-72	ROCKER SWITCH (2)	72 to 74 - FL, FLH, 75 & 74 - FX
21	71484-72	BUTTON SWITCHES (6)	72 to * - FL, FLH, 73 to * - FX
22	71519-75	HOUSING, handlebar switches (vertical rocker switch) (2)	72 to * - FL, FLH
24	71535-72	RETAINER, button switches (2)	72 to * - FL, FLH, 73 to * - FX
25	71536-72	BUTTON CAP, switch - short (2)	72 to * - FL, FLH, 73 to * - FX
26	71535-72	BUTTON CAP, switch - long (2)	72 to Early 73 - FL, FLH; Early 73 - FX
27	71539-73B	HOUSING, handlebar switches (vertical rocker switch) (2)	73 to * - FX
28	71546-75	ROCKER SWITCH (Ht - LOW)	75 to * - FL, FLH, FX
29	71547-75	ROCKER SWITCH (Rok - OFF)	75 to * - FL, FLH, FX
30	71559-73	PLUG, handlebar switch hole	Early 73 - FX, 75 to * - FX
31	72960-65A	STOPLIGHT SWITCH, foot brake	73 to * - FX, 74 to * - FL, FLH



STARTER SWITCHES

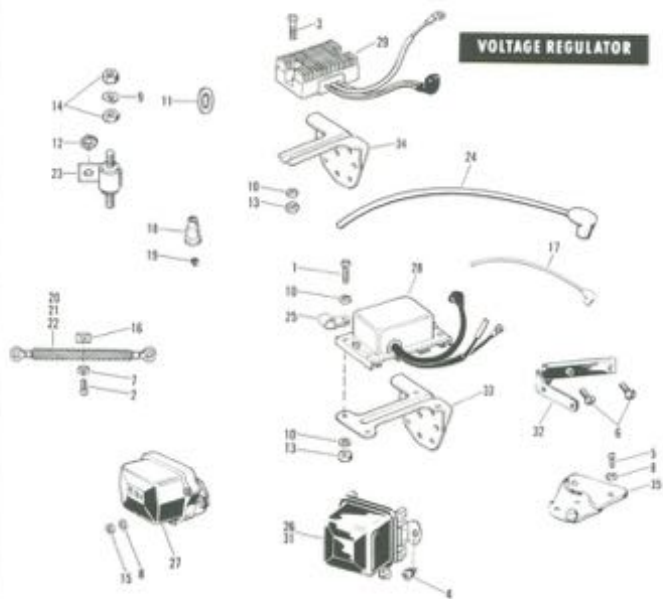
INDEX NO.	PART NO.	NAME	USED ON
1	255	PIN, 7/44 dia. x 1/2 lg.	85 to * - FL, FLH, FX
2	600	ROLL PIN, 1/8 dia. x 1/2 lg.	85 to * - FL, FLH, FX
3	600	ROLL PIN, 1/8 dia. x 3/4 lg.	85 to Early 75 - FL, FLH, FX
4	613	ROLL PIN, 1/8 dia. x 1-1/4 lg.	Late 75 to * - FL, FLH, FX
6	2774	SCREW, 1/4-20 x 5/8 Phillips pan Hd. (2)	Late 87 to 73 - FL, FLH
7	2638	SCREW, 1/4-20 x 1/2 Phillips ctk. Hd. (2)	73 to * - FX, 74 to * - FL, FLH
8	3602W	BOLT, 1/4-20 x 7/8 hex. Hd. (2)	85 to * - FL, FLH, FX
10	7038	LOCKWASHER, 1/8 (2)	85 to * - FL, FLH, FX
11	7038	LOCKWASHER, 3/8 (2)	85 to * - FL, FLH, FX
12	7041	LOCKWASHER, 1/16 (2)	73 to * - FX, 74 to * - FL, FLH
13	7229	LOCKWASHER, No. 10 external tooth	85 to * - FL, FLH, FX
15	7638	NUT, No. 10-32 x 1/8 x 3/8 hex.	85 to * - FL, FLH, FX
16	7688	NUT, 1-4-20 x 1/8 x 1/2 (2)	73 to * - FX, 74 to * - FL, FLH
17	7749W	NUT, 5/16-18 x 1/4 x 1/2 hex. (2)	73 to * - FX, 74 to * - FL, FLH
18	7783	NUT, 3/8-16 x 5/16 x 9/16 hex. (2)	85 to * - FL, FLH, FX
19	9941	CLIP, neutral switch wires (2)	85 - FL, FLH
20	25611-13	WASHER, transmission neutral switch (fiber) use (NO. 1)	85 to * - FL, FLH, FX
21	31439-65A	PLUNGER ASSEMBLY, solenoid	85 to * - FL, FLH, FX
22	31439-65A	OVER-RUN SPRING	85 to * - FL, FLH, FX
23	31439-65	RETAINER, over-run spring	85 to * - FL, FLH, FX
24	31440-65	RETURN SPRING, plunger	85 to * - FL, FLH, FX
25	31441-65	RUBBER BOOT, solenoid plunger	85 to * - FL, FLH, FX
26	31444-65A	COVER, solenoid switch (rubber)	85 to * - FL, FLH, FX
27	31452-65	SPACER, solenoid mounting	85 to * - FL, FLH, FX
28	32059-75	TRANSMISSION NEUTRAL SWITCH	59 to 64 - FL, FLH, Late 71 to * - FL, FLH, FX
29	60645-65	GASKET, solenoid mounting	Late 85 to * - FL, FLH, FX
30	70219-70	WIRE, starter relay (black)	70 to * - FL, FLH
31	70420-67	WIRE, starter relay (red)	85 to 88 - FL, FLH
32	70420-67	WIRE, starter relay (green)	85 to 88 - FL, FLH
33	71435-67	STARTER RELAY, w/out wires	70 to 73 - FL, FLH
34	71437-67	STARTER RELAY, with wires	85 to 88 - FL, FLH
35	71463-73	STARTER RELAY	73 to * - FX, 74 to * - FL, FLH
36	71465-65	TERMINAL STUD KIT, starter solenoid	85 to * - FL, FLH
37	71466-65	SOLENOID INNER PLUNGER	85 to * - FL, FLH
38	71467-65	COVER GASKET, starter solenoid	85 to * - FL, FLH
39	71468-65	TOP COVER, solenoid switch	85 to * - FL, FLH
40	71469-65	STARTER SOLENOID SWITCH	85 to * - FL, FLH
41	71507-64A	TRANSMISSION NEUTRAL SWITCH, with 2 - 9142 terminals	85 to 70 - FL, FLH
42	71507-71	TRANSMISSION NEUTRAL SWITCH	71 to Early 73 - FL, FLH, FX



GAGES

INDEX NO.	PART NO.	NAME	USED ON
1	1205	SCREW, handlebar clamp, No. 10-24 x 3/4 Pozidriv flat, hd. (2)	68 to * - FL, FLH, FX
2	2591	SCREW, housing, rear, oil pressure gage No. 10-32 x 1-3/4 Pozidriv pan hd.	68 to * - FL, FLH, FX
3	2620	SCREW, housing, rear No. 10-24 x 7/8 Pozidriv pan hd.	68 to * - FL, FLH, FX
4	2660	SCREW, bracket and terminal, No. 10-24 x 3/8 Pozidriv pan hd. (3)	68 to * - FL, FLH, FX
5	59649	SPACER	68 to * - FL, FLH, FX
6	7118	LOCKWASHER, bracket and terminal, No. 10 internal tooth (3)	68 to * - FL, FLH, FX
7	7692	NUT, temp gage sending unit	65 to * - FL, FLH, FX
8	9009	WIRE TERMINAL, ring type - 3/16 dia. hole - # 20-32 wire	68 to * - FL, FLH, FX
8A	9026	WIRE TERMINAL, ring type - 3/16 dia. hole - # 18-16 wire	70 to * - FL, FLH, FX
9	9931	WIRE TERMINAL, stake spade type - # 16-20 wire	70 to * - FL, FLH, FX
10	9932	WIRE TERMINAL, ring type - 3/16 dia. hole - # 20-22 wire	70 to * - FL, FLH, FX
11	9976	SPRING CLIP (2)	68 to * - FL, FLH, FX
12	10306	CABLE STRAP	68 to * - FL, FLH, FX
12A	10907	CABLE STRAP	75 to * - FL, FLH, FX
13	11400	GROMMET	68 to * - FL, FLH, FX
14	11401	GROMMET, oil line	68 to * - FL, FLH, FX
15	45030-61A	HANDLEBAR CLAMP	68 to * - FL, FLH, FX
16	70485-68	CABLE, ammeter	68 & 69 - FL, FLH
17	70576-68	CONNECTOR	68 to * - FL, FLH, FX
17A	72038-71	WIRE TERMINAL, socket type	75 to * - FL, FLH, FX
17B	72771-74	TERMINAL BLOCK - 2 terminal	75 to * - FL, FLH, FX
	74398-75	GAGE KIT (Literature Faring)	Like 75 to * - FL, FLH
	74400-68	OIL PRESSURE GAGE KIT	68 to * - FL, FLH, FX
18	74425-65	OIL PRESSURE GAGE, only	68 to * - FL, FLH, FX
19	74434-68	MOUNTING BRACKET, pressure gage	68 to * - FL, FLH, FX
20	74432-68	TEE, pressure gage	68 to * - FL, FLH, FX
21	74425-68	HOSE, pressure gage	68 to * - FL, FLH, FX
22	74427-68	CONNECTOR, pressure gage hose	68 to * - FL, FLH, FX
	74430-70A	VOLTMETER KIT	70 to * - FL, FLH, FX
23	74430-70A	VOLTMETER, only	70 to * - FL, FLH, FX
24	74433-70	CABLE ASSEMBLY, voltmeter	70 to * - FL, FLH, FX
	74440-68	AMMETER KIT	68 & 69 - FL, FLH
25	74452-68	AMMETER, only	68 & 69 - FL, FLH
26	74470-68	HOUSING RING	68 to * - FL, FLH, FX
27	74471-68	HOUSING, oil pressure gage	68 to * - FL, FLH, FX
28	74479-68	HOUSING	68 to * - FL, FLH, FX
29	74484-68	MOUNTING BRACKET	68 to * - FL, FLH, FX
	75005-69	CYLINDER HEAD TEMP. GAGE KIT	65 to * - FL, FLH, FX
30	75001-69	TEMPERATURE GAGE, only	65 to * - FL, FLH, FX
31	75003-69	CABLE ASSEMBLY, temperature gage - complete	65 to * - FL, FLH, FX
32	75005-69	SENDING UNIT, temperature gage	65 to * - FL, FLH, FX
33	75006-69	DISCONNECT CABLE, only, temperature gage	65 to * - FL, FLH, FX

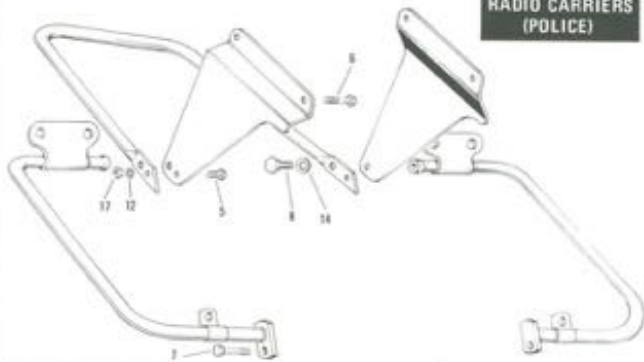
VOLTAGE REGULATOR



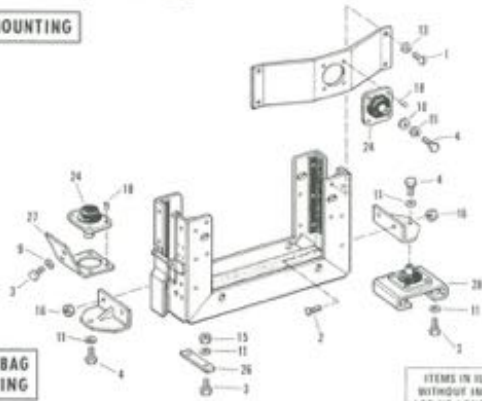
VOLTAGE REGULATOR

INDEX NO.	PART NO.	NAME	USED ON
1	2595	SCREW, No. 10-24 x 1 Pozidriv pan hd. (4)	70 to 75 - FL, FLH, FX
2	2595	SCREW, No. 8-32 x 1/16 Pozidriv pan hd.	85 to 89 - FL, FLH
3	3802W	BOLT, 1/4-20 x 7/8 hex.	75 to * - FL, FLH, FX
4	2751	SCREW, 1/4-20 x 5/16 Phillips hd.	58 to 64 - FL, FLH
5	2773	SCREW, 1/4-20 x 1/2 Pozidriv pan hd. (4)	41 to 64 - FL, FLH
6	3912	BOLT, 1/4-20 x 7/16 hex. hd. (2)	58 to 64 - FL, FLH
7	6143W	WASHER, No. 10 x 7/16 x 1-3/32 (2)	85 to 89 - FL, FLH
8	7036	LOCKWASHER, 1/4	41 to 64 - FL, FLH
9	7068	LOCKWASHER, No. 10 (2)	85 to * - FL, FLH
10	7138	LOCKWASHER, No. 10 internal tooth (8)	70 to * - FL, FLH, FX
11	7127	LOCKWASHER, 5/16 internal tooth (2)	85 to * - FL, FLH
12	7230	LOCKWASHER, 1/4 external tooth (3)	85 to * - FL, FLH
13	7624	NUT, No. 10-24 x 1/4 x 3/8 hex. (8)	70 to * - FL, FLH, FX
14	7636	NUT, No. 10-32 x 1/8 x 3/8 hex. (4)	85 to * - FL, FLH
15	7688	NUT, 1/8-20 x 1/4 x 1/2 hex. (2)	85 to 89 - FL, FLH
16	8125	SPEED NUT, connecting strap	85 to 89 - FL, FLH
17	10006	CABLE STRAP	85 to * - FL, FLH, FX
18	31607-64	RUBBER CAP, spark plug cables (2)	85 to * - FL, FLH
19	31620-47	TERMINAL, spark plug cable	85 to * - FL, FLH
	31645-70	RADIO SUPPRESSOR KIT	70 to * - FL, FLH
20	31643-70	WIRE, capacitor to spark coil	70 to * - FL, FLH
21	31650-63A	GROUND STRAP, regulator - radio suppression kit	85 to 89 - FL, FLH
22	31651-70	WIRE, engine to frame	70 to * - FL, FLH
23	31710-69	CAPACITOR, 10 MFD - radio suppression kit	85 to * - FL, FLH
24	31995-68	SPARK PLUG CABLE (radio suppression) (2)	81 to * - FL, FLH
25	31795-63A	CLAMP, regulator cable	70 to 75 - FL, FLH, FX
26	74510-47A	VOLTAGE REGULATOR, only (standard generator)	58 to 64 - FL, FLH
27	74510-6A	VOLTAGE REGULATOR - 12 V.	85 to 89 - FL, FLH
28	74510-76A	RECTIFIER AND REGULATOR ASSEMBLY - 12 V. (chrome)	70 to 75 - FL, FLH, FX
29	74510-75	RECTIFIER AND REGULATOR ASSEMBLY	70 to * - FL, FLH, FX
31	74511-58	CURRENT AND VOLTAGE REGULATOR (standard generator)	58 to 64 - FL, FLH
32	74521-58	SUPPORT, regulator	58 to 64 - FL, FLH
33	74533-76A	BRACKET, regulator	70 to 75 - FL, FLH, FX
34	74531-75	BRACKET, regulator	76 to * - FL, FLH, FX
35	74763-47	RELAY BRACKET	47 to 64 - FL, FLH

**RADIO CARRIERS
(POLICE)**



FENDER MOUNTING

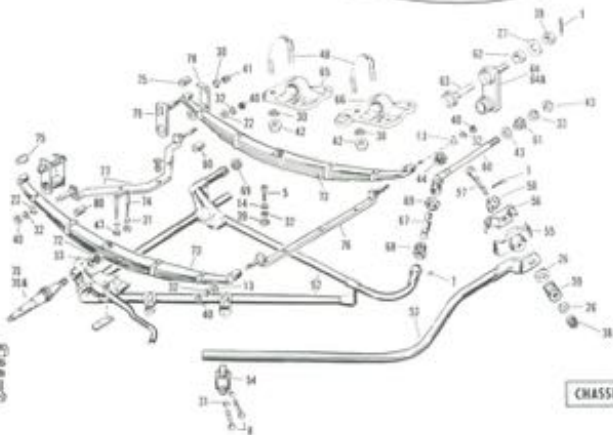
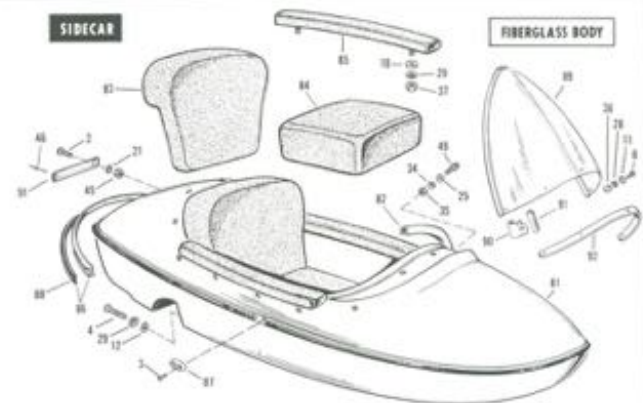


**SADDLEBAG
MOUNTING**

ITEMS IN ILLUSTRATION
WITHOUT INDEX NUMBERS
ARE NO LONGER AVAILABLE

RADIO CARRIERS (POLICE)

INDEX NO.	PART NO.	NAME	USED ON
1	2501	SCREW, No. 10-32 x 1/4 hex. hd. (8)	66 to * - FL, FLH
2	2757W	SCREW, 1/4-28 x 7/16 dim'd. hd. (4)	66 to * - FL, FLH
3	3738	BOLT, 1/4-28 x 1/2 hex. hd. (8)	66 to * - FL, FLH
4	3761	BOLT, 1/4-28 x 5/8 hex. hd. (3)	66 to * - FL, FLH
5	3986	BOLT, 5/16-24 x 27/32 hex. hd.	58 to 65 - FL, FLH
6	4020W	BOLT, 5/16-24 x 1-1/8 hex. hd. (4)	58 to 65 - FL, FLH
7	4380W	BOLT, 3/8-24 x 2-1/8 hex. hd. (2)	58 to Early 63 - FL, FLH
8	4840	BOLT, 1/16-20 x 1 hex. hd. (2)	58 to 65 - FL, FLH
9	5227W	WASHER, 1/4 x 1/2 x 1/16	66 to * - FL, FLH
10	6249B	WASHER, 1/4 x 9/16 x 1/16	66 to * - FL, FLH
11	7036	LOCKWASHER, 1/4 (6)	66 to * - FL, FLH
12	7041	LOCKWASHER, 5/16 (2)	58 to 65 - FL, FLH
13	7043	LOCKWASHER, No. 10 (4)	66 to * - FL, FLH
14	7136	LOCKWASHER, 7/16 internal tooth	58 to 65 - FL, FLH
15	7676	NUT, 1/4-28 x 3/16 x 7/16 hex. (2)	66 to * - FL, FLH
16	7682	LOCKNUT, 1/4-28 (4)	66 to * - FL, FLH
17	7753	NUT, 5/16-24 x 17/64 x 1/2 hex.	58 to 65 - FL, FLH
18	41841-31	RIVET, rubber mounts (12)	66 to * - FL, FLH
24	90845-66	RUBBER MOUNT, radio carrier (3)	66 to * - FL, FLH
26	91016-66	BOTTOM BACKING PLATE, satellite	66 to * - FL, FLH
27	91041-66	FRONT SUPPORT BRACKET	66 to * - FL, FLH
28	91042-66	REAR SUPPORT BRACKET, radio carrier	66 to * - FL, FLH

SIDECAR**FIBERGLASS BODY****CHASSIS**

SIDECAR BODY AND CHASSIS

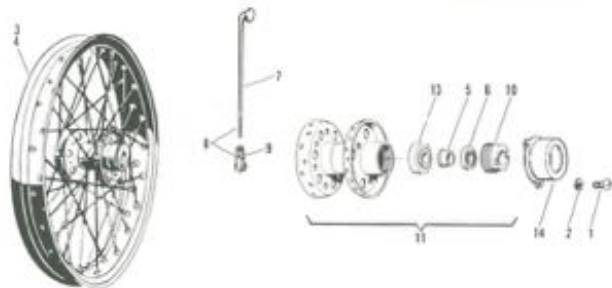
INDEX	PART NO.	NAME	USED ON
1	559	COTTER PIN, 1/8 x 1-1/4	41 to * - FL, FLH
2	2050N	SCREW, No. 4-40 x 1/2 Phil. Hd. (2)	Late 47 to 71 - FL, FLH
3	2050H	SCREW, No. 4-24 self-tapping Phil. Hd. (2)	Late 47 to * - FL, FLH
4	2595	SCREW, 1/4-20 x 3-3/4 Phillips pan Hd. (2)	Late 47 to * - FL, FLH
5	2605	SCREW, 5/16-18 x 3-3/4 Phillips pan Hd. (4)	Late 47 to * - FL, FLH
6	2726	SCREW, No. 12-24 x 21/32 Phil. Hd. (2)	Late 47 to * - FL, FLH
	8019H	BOLT, 5/16-18 x 3-1/4 hex. Hd.	73 to * - FL, FLH
7	3237H	SET SCREW, 5/16-24 x 9/32 (2)	41 to * - FL, FLH
8	3696	BOLT, 7/16-20 x 2 hex. Hd. (4)	41 to * - FL, FLH
	4017	BOLT, 5/16-18 x 3 hex. Hd. (2)	73 to * - FL, FLH
9	4339	BOLT, 3/8-24 x 1 hex. Hd.	Late 47 to * - FL, FLH
10	6226H	WASHER, 1/4 x 1/2 x 1/32 (2)	Late 47 to * - FL, FLH
11	6230H	WASHER, 1/4 x 1/2 x 1/32 (5)	Late 47 to * - FL, FLH
12	6232H	WASHER, 1/4 x 3/4 x 1/16 (2)	Late 47 to * - FL, FLH
13	6507H	WASHER, 5/16 x 3/4 x 1/16 (2)	41 to * - FL, FLH
14	6330H	WASHER, 5/16 x 15/16 x 1/16 (4)	Late 47 to * - FL, FLH
21	6335	WASHER, 3/4 x 3/8 x 1/32 (2)	Late 47 to * - FL, FLH
22	6340H	WASHER, 5/16 x 3/16 x 1/16 (2)	41 to * - FL, FLH
23	6701	WASHER, 3/8 x 13/16 x 1/16	47 to * - FL, FLH
25	6716	WASHER, No. 10 x 1/2 x 3/64 (24)	Late 47 to * - FL, FLH
26	6718	WASHER, 1/2 x 1-1/16 x 3/32	45 to * - FL, FLH
27	6725HD	WASHER, 41/64 x 3/7/16 x 9/64	58 to * - FL, FLH
28	7030H	LOCKWASHER, No. 12 (5)	Late 47 to * - FL, FLH
29	7032	LOCKWASHER, 1/4 (6)	Late 47 to * - FL, FLH
30	7036	LOCKWASHER, 3/8 (5)	41 to * - FL, FLH
31	7039	LOCKWASHER, 7/16 (4)	41 to * - FL, FLH
32	7040	LOCKWASHER, 5/16 (6)	Late 47 to * - FL, FLH
33	7043	LOCKWASHER, 3/4	41 to * - FL, FLH
34	7069	LOCKWASHER, No. 10 (34)	Late 47 to * - FL, FLH
	7127	LOCKWASHER, 5/16 universal 1046H (3)	73 to * - FL, FLH
35	7608	NUT, No. 6-32 x 1/8 x 5/16 hex. (16)	Late 47 to * - FL, FLH
36	7614H	NUT, No. 12-24 x 5/32 x 7/16 hex.	41 to * - FL, FLH
37	7688	NUT, 1/4-20 x 1/4 x 1/2 hex. (2)	Late 47 to * - FL, FLH
38	7714H	CASTLE NUT, 1/2-20 x 8/16 x 3/4 hex.	41 to * - FL, FLH
39	7740H	NUT, 1/16-18 x 1/4 x 1/2 hex. (8)	41 to 69 - FL, FLH
40	7751	NUT, 5/16-24 x 17/64 x 1/2 hex.	41 to * - FL, FLH
	7809H	NUT, 5/8-24 x 5/16 x 9/16 hex.	41 to * - FL, FLH
	7823	NUT, 5/8-18 x 3/8 x 15/16	73 to * - FL, FLH
42	7819H	JAMNUT, 3/8-24 x 7/32 x 9/16 hex. (2)	41 to * - FL, FLH
43	8034	NUT, 3/4-18 x 7/32 x 1-3/16 hex. (2)	41 to * - FL, FLH
44	8059	NUT, 11-16-18 x 11-32 x 1-3/16 hex.	41 to * - FL, FLH
45	8131H	LOCKNUT, No. 40 (2)	Late 47 to 71 - FL, FLH
	8133H	SPEED NUT, inspect.	69 to 73 - FL, FLH
	8232	RIVET, 3/16 x 11-37 (4)	41 to * - FL, FLH
46	8321	POP RIVET, 1/8 x 1/2 x 1-4 dia. Hd. (aluminum) (2)	71 to * - FL, FLH
47	1682-30	NUT, 1/16-20 x 1/2 x 5/8 hex. (2)	41 to * - FL, FLH
	4572-50	WASHER, fork upper bracket bolt	Late 76 to * - FL, FLH
	4573-50	BOLT, fork upper bracket	Late 76 to * - FL, FLH
48	4936A-36	U-BOLT, side car connection (4)	58 to * - FL, FLH
	5066-35	SPACER, muffler support - 11.34 O.D.	58 to * - FL, FLH
	52103-31	SPACER, muffler mounting - 3.4 O.D.	58 to * - FL, FLH
	58102-40	SPACER, muffler support - 1.72 lg.	58 to * - FL, FLH
49	58132-44	SNAP STUD, body cover (4)	Late 47 to * - FL, FLH
	58253-69	REFLECTOR KIT (2)	69 to 71 - FL, FLH
	59255-72	REFLECTOR, Hd (2)	72 to * - FL, FLH
51	61711-72	NAMEPLATE	72 to 75 - FL, FLH
	61775-76	NAMEPLATE	76 to * - FL, FLH
	83975-37A	WASHER, 5/8 x 1-1/2 x 1/16	73 to * - FL, FLH
52	87864-67A	SIDE CAR FRAME (For Early 1967 & Earlier sidecar order 88000-36 with frame)	58 to * - FL, FLH
	87862-58	SIDE CAR ADAPTER KIT (to attach early sidecars to 1958 - 1972 motorcycles) NOTE: in order to install on 1965 & later Electra Glides, Part No. 87094-36H must be ordered separately.	

NOTE: Asterisk (*) indicates part is used for latest model year shown on cover.

SIDECAR BODY AND CHASSIS (CONT'D)

INDEX NO.	PART NO.	NAME	USED ON
	87082-62	SIDE CAR CONNECTION KIT, with frame fittings	58 to 72 - FL, FLH
	87083-73	SIDE CAR CONNECTION KIT, with frame fittings	73 to * - FL, FLH
	87085-73	BRACKET, steel	73 to * - FL, FLH
	87084-73	BRACKET, steel	73 to * - FL, FLH
53	87094-30B	BRACE, sidecar frame	41 to * - FL, FLH
54	87117-36	LOWER CLAMP (2)	41 to * - FL, FLH
55	87127-36	UPPER CONNECTION, front	41 to * - FL, FLH
56	87128-36	UPPER CONNECTION, rear	41 to * - FL, FLH
57	87135-36	BOLT, upper connection	41 to * - FL, FLH
58	87136-36	LOCKWASHER, connection bolt	41 to * - FL, FLH
59	87138-36	SPRING, connection bolt	41 to * - FL, FLH
60	87178-37	TIE ROD, lower front	41 to * - FL, FLH
61	87181-37	WASHER, lower front tie rod	41 to * - FL, FLH
62	87181-58	BUSHING, side car connector	58 to * - FL, FLH
63	87192-58	CONNECTOR STUD	58 to 72 - FL, FLH
	87192-73	CONNECTOR STUD	73 to * - FL, FLH
64	87197-58	SIDE CAR CONNECTOR	58 to 72 - FL, FLH
64A	87197-73	SIDE CAR CONNECTOR	73 to * - FL, FLH
65	87205-58	BRACKET, front left	58 to * - FL, FLH
66	87208-58	BRACKET, front right	58 to * - FL, FLH
67	87254-24	NAIL STUD (2)	41 to * - FL, FLH
68	87265-24	NUT, ball stud	41 to * - FL, FLH
69	87267-24	LOCKNUT, ball stud (2)	41 to * - FL, FLH
70	87433-36	AXLE, side car	41 to Late 76 - FL, FLH
70A	87433-76	AXLE, side car	Late 76 to * - FL, FLH
71	87438-67	NUT, axle extension	Late 67 to * - FL, FLH
72	87444-33	AXLE NUT (inside frame)	41 to * - FL, FLH
73	88103-24B	SIDE CAR SPRING, with bushings (2)	41 to * - FL, FLH
74	88172-25	U-BOLT, springs (4)	41 to * - FL, FLH
75	88174-37	SPRING BUSHING (6)	41 to * - FL, FLH
76	88261-36	SUPPORT ROD, front	41 to * - FL, FLH
77	88264-36	SUPPORT ROD, rear	41 to * - FL, FLH
78	88304-67	SHACKLE PLATE, with bushing - inner	Late 67 to * - FL, FLH
79	88310-67	SHACKLE PLATE, with stud	Late 67 to * - FL, FLH
80	88314-37	SHACKLE BUSHING	41 to * - FL, FLH
81	88366-36A	SIDECAR, only - without frame (fiberglass)	41 to * - FL, FLH
82	88425-67	TRIM STRIP, body top	Late 67 to * - FL, FLH
83	88481-67	BACK CUSHION	Late 67 to * - FL, FLH
84	88487-67	SEAT CUSHION	Late 67 to * - FL, FLH
85	88491-67	ARM REST CUSHION (2)	Late 67 to * - FL, FLH
	88529-67	COVER, side car body	Late 67 to * - FL, FLH
86	88604-67	TRIM STRIP, with fittings	Late 67 to * - FL, FLH
87	88605-67	RETAINER CLIP, sidecar trim strip	Late 67 to * - FL, FLH
88	88608-67	CHANNEL INSERT, body trim (black vinyl)	Late 67 to * - FL, FLH
89	88650-67	WINDSHIELD, with fittings	Late 67 to * - FL, FLH
	88662-67	WINDSHIELD, only	Late 67 to * - FL, FLH
90	88683-67	CLAMP, windshield molding (2)	Late 67 to * - FL, FLH
91	88685-67	BUSHING, windshield molding (2)	Late 67 to * - FL, FLH
92	88695-67	WINDSHIELD BRACE	Late 67 to * - FL, FLH

SIDECAR WHEEL

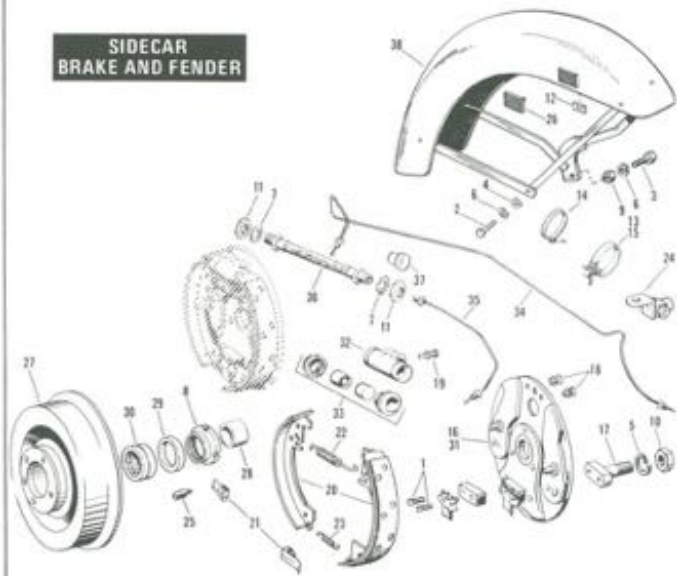


SIDECAR WHEEL

INDEX NO.	PART NO.	NAME	USED ON
1	2640	SCREW, No. 10-24 x 3/8 Phillips pan hd.	Early 76 to * - FL, FLH
2	7118	LOCKWASHER, No. 10 internal tooth.	Early 76 to * - FL, FLH
3	40982-76	WHEEL ASSEMBLY, 16 in. (chrome).	Early 76 to * - FL, FLH
4	40985-76	WHEEL ASSEMBLY, 16 in. (black).	Early 76 to * - FL, FLH
5	41196-55	SPACER, wheel hub.	Early 76 to * - FL, FLH
6	41250-55	OIL SEAL, wheel bearing.	Early 76 to * - FL, FLH
7	43032-40	SPOKE	Early 76 to * - FL, FLH
8	43033-40	SPOKE AND FITTING SET OF NO. 7	Early 76 to * - FL, FLH
9	43089-29	SPOKE FITTING	Early 76 to * - FL, FLH
10	42542-67	LOCKNUT, wheel bearing.	Early 76 to * - FL, FLH
11	42551-76	WHEEL HUB, complete	Early 76 to * - FL, FLH
	42542-76	WHEEL HUB REPLACEMENT KIT (for 1974 models & earlier)	Early 76 to * - FL, FLH
13	42557-67	BEARING, wheel hub and brake drum	Early 76 to * - FL, FLH
14	42580-70	RETAINER, wheel bearing locknut	Early 76 to * - FL, FLH

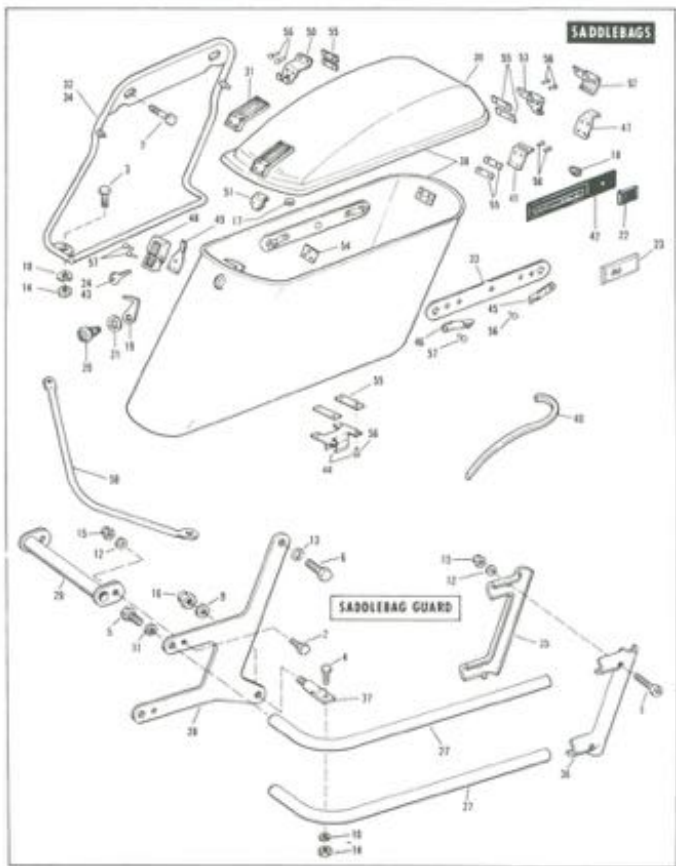
NOTE: Asterisk (*) indicates part is used for latest model year shown on cover.

SIDECAR BRAKE AND FENDER



SIDECAR BRAKE AND FENDER

INDEX NO.	PART NO.	NAME	USED ON
1	4009W	BOLT, 5/16-24 x 1.0 hex. (2)	58 to * - FL, FLH
2	4109	BOLT, 3/8-24 x 1 hex. hd.	Late 67 to * - FL, FLH
3	4110W	BOLT, 3/8-24 x 1-1/4 hex. hd.	41 to * - FL, FLH
4	6701	WASHER, 3/8 x 13/16 x 1-1/8	Late 67 to * - FL, FLH
5	7022	LOCKWASHER, 3/8	58 to * - FL, FLH
6	7036	LOCKWASHER, 3/8	41 to * - FL, FLH
7	7242	LOCKWASHER, 3/8 external tooth (2)	58 to * - FL, FLH
8	7581	LOCKNUT	Early 76 to * - FL, FLH
9	7782	NUT, 3/8-16 x 5/16 x 9/16 hex.	41 to * - FL, FLH
10	7980	NUT, 5/8-18 x 7/16 x 7/8 hex.	58 to * - FL, FLH
11	7988	NUT, 5/8-18 x 1/4 x 1 hex. (2)	58 to * - FL, FLH
12	8137W	SPEED NUT, reflector	69 to 73 - FL, FLH
13	8991A	HOSE CLAMP	58 to * - FL, FLH
14	10366	STRAP, brake tube (2)	58 to * - FL, FLH
15	20963-07	HOSE CLAMP	73 to * - FL, FLH
16	46456-06	SIDE PLATE	58 to Early 76 - FL, FLH
17	41720-08	ANCHOR STUD	58 to * - FL, FLH
18	41743-08	SCREW AND LOCKWASHER, brake cylinder (2)	58 to * - FL, FLH
19	41749-08	BLEEDER FITTING, brake cylinder	58 to Late 70 - FL, FLH
20	41801-06A	SET OF BRAKE SHOES AND LININGS	58 to * - FL, FLH
21	41835-08	HOLD DOWN SPRING (2)	58 to * - FL, FLH
22	41836-08	BRAKE SHOE SPRING, upper	58 to * - FL, FLH
23	41837-08	BRAKE SHOE SPRING, lower	58 to * - FL, FLH
24	42309-70	TEE, brake line (used w/sidocar)	70 to * - FL, FLH
24	42318-72	TEE, brake line (used w/o sidocar)	Late 72 to * - FL, FLH
25	42530-71A	SCREW, wheel mounting (sq. hd)	41 to * - FL, FLH
26	58253-69	REFLECTOR KIT, rear (hd)	69 to 73 - FL, FLH
26	58255-72	REFLECTOR, red (2)	72 to * - FL, FLH
27	87657-06A	BRAKE SHELL	58 to 66 - FL, FLH
27	87657-76	BRAKE SHELL	Early 76 to * - FL, FLH
28	87669-08	BUSHING, side plate	58 to 66 - FL, FLH
29	87670-76	OIL SEAL	Early 76 to * - FL, FLH
30	87671-76	SCARING	Early 76 to * - FL, FLH
30	87672-76	SIDE PLATE	Early 76 to * - FL, FLH
32	87710-08	WHEEL CYLINDER	58 to * - FL, FLH
33	87752-08	REPAIR KIT, wheel cylinder	58 to * - FL, FLH
34	87735-08	BRAKE TUBE, rear	58 to * - FL, FLH
35	87737-08	BRAKE TUBE, front	58 to 66 - FL, FLH
35	87737-70	BRAKE TUBE, front	70 to * - FL, FLH
36	87776-08A	BRAKE HOSE	58 to * - FL, FLH
37	87738-64	CAP, brake hose (used when side car is removed)	64 to * - FL, FLH
38	87900-67A	FENDER	Late 67 to * - FL, FLH

SADDLEBAGS

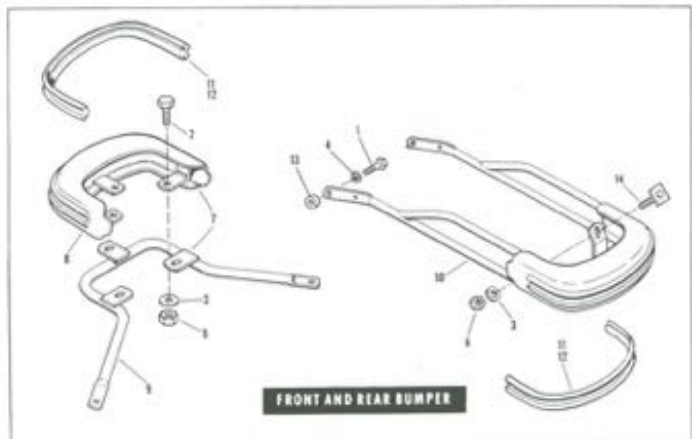
SADDLEBAGS

INDEX NO.	PART NO.	NAME	USED ON
1	2942W	SCREW, 1/4-28 x 1-3/4 Phillips Hex. (4)	68 to * - FL, FLH
2	3728	BOLT, 1/4-28 x 3/8 Hex. No. (4)	68 to * - FL, FLH
3	3825	BOLT, 1/4-28 x 1/2 Hex. No. (2)	63 to * - FL, FLH
4	3826	BOLT, 1/4-28 x 1-1/4 Hex. No. (2)	66 to * - FL, FLH
5	3374HW	BOLT, 1/8-24 x 1/4 Hex. No. (4)	68 to * - FL, FLH
6	4029W	BOLT, 1/16-24 x 1/2 Hex. No. (2)	68 to * - FL, FLH
7	4042HW	BOLT, 1/16-24 x 1/2 Hex. No. (4)	63 to * - FL, FLH
	6396W	WASHER, 1/2 x 3/16 x 5/16 (2)	L4M 65 to 67 - FL, FLH
	6398	RUBBER WASHER (2)	63 to Early 65 - FL, FLH
	6399	RUBBER WASHER (2)	L4M 65 to 67 - FL, FLH
9	6701	WASHER, 3/8 x 3/16 x 1/16 (2)	68 to * - FL, FLH
10	7100	LOCKWASHER, 1/4 (2)	63 to * - FL, FLH
11	7041	LOCKWASHER, 5/16 (4)	68 to * - FL, FLH
12	7124	LOCKWASHER, 3/4 external tooth (8)	68 to * - FL, FLH
13	7232	LOCKWASHER, 5/16 external tooth (2)	68 to * - FL, FLH
	7612W	LOCKNUT, No. 8-36 x 3/16 x 3/8 Hex.	72 to * - FL, FLH
14	7676	NUT, 1/4-28 x 3/16 x 7/16 Hex. (2)	63 to * - FL, FLH
15	7684	ADORN NUT, 1/4-28 (4)	68 to * - FL, FLH
16	7775	LOCKNUT, 3/8-24 x 7/16 x 9/16 Hex. (2)	68 to * - FL, FLH
17	8135B	SPEED NUT (2)	70 to * - FL, FLH
18	8143W	PUSHNUT, reflector (2)	69 to * - FL, FLH
19	8336-49	LOCKING HOOK, saddlebag	70 to * - FL, FLH
20	8337-65	LOCK, saddlebag - with nuts	70 to * - FL, FLH
21	8338-49	WASHER, saddlebag lock	70 to * - FL, FLH
22	8923-69	REFLECTOR KIT, with speed nut (red)	69 to 71 - FL, FLH
23	8925-72	REFLECTOR, red (2)	72 to * - FL, FLH
24	71620-62	KEY (specify key no. LL226 to LL450)	70 to * - FL, FLH
	9060-60	SADDLEBAG GUARD KIT	63 to * - FL, FLH
	9060-68	SADDLEBAG GUARD (2)	68 to * - FL, FLH
27	9060-68	BRACKET, saddlebag guard (2)	68 to * - FL, FLH
29	9061-68	SADDLEBAG GUARD, rear (2)	68 to * - FL, FLH
	9068-15F	SADDLEBAGS AND CARRIER, white	59 to * - FL, FLH
	9061-16C	SADDLEBAGS AND CARRIER, black	58 to * - FL, FLH
	90612-16E	SADDLEBAGS AND CARRIER, black (G. E. or tube type Motorola radio)	60 to * - FL, FLH
	90615-16C	SADDLEBAGS AND CARRIER, black Solid State (Motorola radio)	68 to * - FL, FLH
	90616-16C	SADDLEBAGS AND CARRIER, white Solid State (Motorola radio)	68 to * - FL, FLH
	90618-16D	SADDLEBAGS AND CARRIER, white (G. E. or tube type Motorola radio)	66 to * - FL, FLH
31	9067-70	LOCK PLATE (2)	70 to * - FL, FLH
32	90675-63	SUPPORT BRACKET, right	63 to * - FL, FLH
	90671-63	SUPPORT BRACKET, left	63 to * - FL, FLH
33	9069-63	SUPPORT PLATE (2) (riveted to bag)	63 to * - FL, FLH
	9069-63	SET OF SADDLEBAG CARRIERS	63 to * - FL, FLH
34	90613-67	SUPPORT BRACKET, left (radio)	67 to * - FL, FLH
35	90613-68	CLAMP, saddlebag guard, left (2)	68 to * - FL, FLH
36	90620-68	CLAMP, saddlebag guard, right (2)	68 to * - FL, FLH
37	9061-68	STUD, saddlebag guard	68 to * - FL, FLH
38	90623-63D	SADDLEBAG, left - black	63 to * - FL, FLH
	90623-63D	SADDLEBAG, right - black	63 to * - FL, FLH
	90624-67C	SADDLEBAG, left - black (G. E. or tube type Motorola radio)	67 to * - FL, FLH
	90624-68C	SADDLEBAG, left - black (Solid State Motorola radio)	68 to * - FL, FLH
	90625-67C	SADDLEBAG, left - white (G. E. or tube type Motorola radio)	67 to * - FL, FLH
	90625-68C	SADDLEBAG, left - white (Solid State Motorola radio)	68 to * - FL, FLH
	90627-63D	SADDLEBAG, left - white	63 to * - FL, FLH
	90628-63D	SADDLEBAG, right - white	63 to * - FL, FLH
39	90629-64A	SADDLEBAG COVER, black	65 to 69 - FL, FLH
	90629-70A	SADDLEBAG COVER, black	70 to * - FL, FLH
	90631-63A	SADDLEBAG COVER, white	63 & 64 - FL, FLH
	90631-64A	SADDLEBAG COVER (white)	65 to 69 - FL, FLH
	90631-70A	SADDLEBAG COVER, white	70 to * - FL, FLH
40	90637-64	MOLDING, bag cover	63 to * - FL, FLH
41	90638-66	HINGE CLIP, saddlebag	70 to * - FL, FLH
42	90643-69	REFLECTIVE TRIM, saddlebag - right	69 to 71 - FL, FLH
	90644-69	REFLECTIVE TRIM, saddlebag - left	69 to 71 - FL, FLH
43	90647-63	SADDLEBAG KEY	63 to 69 - FL, FLH
44	90649-63A	SPRING CLIP, with rivets (2)	63 to * - FL, FLH
45	90652-63	LOCKING CLIP, left	63 to * - FL, FLH

NOTE: Asterisk (*) indicates part is used for listed Model year shown on cover.

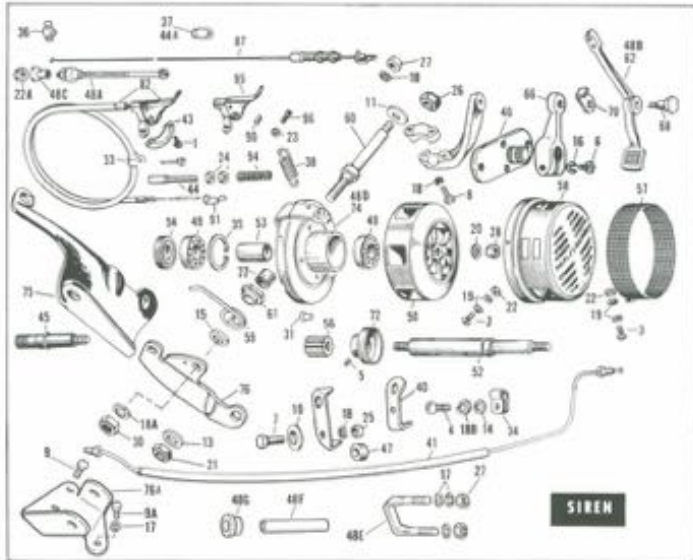
SADDLEBAGS (CONT'D)

INDEX PART		P A R T	U S E D O N
NO.	NO.		
46	30953-43	LOCKING CLIP, right	43 to * - FL, FLH
47	30955-43	SADDLEBAG COVER HINGE	43 to 69 - FL, FLH
48	30957-44	SADDLEBAG LOCK RIT, with latch plate	43 to 69 - FL, FLH
49	30963-44	LATCH PLATE, saddlebag	Late 64 to 69 - FL, FLH
50	30961-43A	LOCK PLATE, bag cover	43 to 69 - FL, FLH
51	30961-70	LATCH (2)	70 to * - FL, FLH
52	30962-43	COVER LOCK PLATE	43 to 69 - FL, FLH
53	30962-70	HINGE (2)	70 to * - FL, FLH
54	30963-43	BACKING PLATE, lock	43 to 69 - FL, FLH
55	30964-43	BACKING PLATE, mounting clips	43 to * - FL, FLH
56	30965-43	RIVET, saddlebag clips - 3/16 lg.	43 to * - FL, FLH
	30966-47	RIVET, saddlebag clips - 1/4 lg. (18)	Late 67 to * - FL, FLH
57	30967-44	RIVET, saddlebag - 3/8 lg.	Late 64 to * - FL, FLH
58	30969-43	REAR CROSS-BRACE	43 to * - FL, FLH



FRONT AND REAR BUMPER

INDEX NO.	PART NO.	NAME	USED ON
1	29714	BOLT, 5/16-18 x 1-1/4 hex. (R)	58 to * - FL, FLH
2	3761	BOLT, 1/4-20 x 5/8 hex. (R)	68 to * - FL, FLH
3	6701	WASHER, 1/4 x 5/8 x 3/16 (R)	68 to * - FL, FLH
4	7232	LOCKWASHER, 5/16 external tooth (R)	68 to * - FL, FLH
5	3682	LOCKNUT, 3/4-20 x 3/16 x 7/16 hex. (R)	68 to * - FL, FLH
6	3686	LOCKNUT, 3/4-20 x 5/16 x 7/16 hex.	68 to * - FL, FLH
7	91067-68	REAR BUMPER, with fittings (used with seatbelts only)	68 to * - FL, FLH
8	91014-68	REAR BUMPER, only	68 to * - FL, FLH
9	91075-68	SUPPORT, rear bumper	68 to * - FL, FLH
10	91075-68	FRONT BUMPER, with fittings	68 to * - FL, FLH
11	91062-68	RUBBER BUMPER STRIP (wide)	68 to * - FL, FLH
12	91062-68	RUBBER BUMPER STRIP (narrow)	68 to * - FL, FLH
13	91089-58	SPACER, front bumper (L)	68 to * - FL, FLH
14	91091-61	TEE BOLT, front bumper	68 to * - FL, FLH



SIREN

INDEX NO.	PART NO.	NAME	USED ON
1	1304	SCREW, No. 10-32 x 5/8 Pozidriv Flt. Int.	58 to * - FL, FLH
2	2585	SCREW, No. 8-32 x 1-1/16 Pozidriv pan hd. (3)	58 to * - FL, FLH
4	2582	SCREW, No. 10-24 x 1/2 Pozidriv pan hd.	67 to * - FL, FLH
5	3233	SET SCREW, 1/4-20	58 to * - FL, FLH
6	3825	BOLT, 1/4-20 x 1 hex. Hd.	65 to * - FL, FLH
7	3962W	BOLT, 5/16-24 x 1 hex. Hd.	58 to * - FL, FLH
8	4017	BOLT, 5/16-18 x 1 hex. Hd. (2)	49 to 65 - FL, FLH
9	4811	BOLT, 3/8-24 x 3-3/4 hex. Hd.	73 to * - FL, FLH
9A	4447W	BOLT, 3/8-24 x 4 hex. Hd.	73 to * - FL, FLH
10	6333	WASHER, 5/16 x 7/8 x 5/64	58 to * - FL, FLH
11	6409HB	WASHER, 3/8 x 1 x 1/32	Late 58 to * - FL, FLH
13	6590HW	WASHER, 1/2 x 2-1/8 x 3/32	69 to * - FL, FLH
14	6736	WASHER, No. 10 x 1-1/2 x 3/64	67 to * - FL, FLH
15	6738	WASHER, 1/2 x 2-1/4 x 3/32	Late 58 to Early 69 - FL, FLH
16	7036	LOCKWASHER, 1/4	58 to * - FL, FLH
17	7038	LOCKWASHER, 3/8	73 to * - FL, FLH
18	7041	LOCKWASHER, 5/16	49 to * - FL, FLH
18A	7068	LOCKWASHER, 1/2	49 to * - FL, FLH
18B	7069	LOCKWASHER, No. 10	67 to * - FL, FLH
19	7115	LOCKWASHER, No. 8 int. tooth (3)	58 to * - FL, FLH
20	7136	LOCKWASHER, 7/16 int. tooth	58 to Early 69 - FL, FLH
21	7572W	LOCKNUT, 1/2-20 x 19/32 x 3/8 hex.	Late 69 to * - FL, FLH

NOTE: Asterisk (*) indicates part is used for latest model year shown on cover.

SIREN (CONT'D)

INDEX	PART		USED ON
NO.	NO.	NAME	
22	7608	NUT, No. 6-32 x 1/8 x 5/16 hex. (3)	58 to * - FL, FLH
22A	7626R	LOCKNUT, No. 10-32 x 3/16 x 3/8 hex.	70 to * - FL, FLH
23	7676	NUT, 1/4-28 x 3/16 x 7/16 hex.	58 to * - FL, FLH
24	7744	NUT, 5/16-24 x 3/16 x 1/2 hex. (2)	58 to * - FL, FLH
25	7753	NUT, 5/16-24 x 1/4 x 1/2 hex. (2)	49 to * - FL, FLH
26	7775	LOCKNUT, 3/8-24 x 7/16 x 9/16	Late 59 to * - FL, FLH
27	7800W	NUT, 3/8-24 x 5/16 x 9/16 hex.	73 to * - FL, FLH
28	7827M	NUT, 7/16-20 x 3/8 x 11/16 hex.	58 to * - FL, FLH
30	7921	NUT, 1/2-20 x 7/16 x 1 hex.	58 to Early 69 - FL, FLH
31	8524	RIVET, siren hub bracket	Late 59 to * - FL, FLH
32	9956	CLAMP, siren cable	Late 59 to Late 71 - FL, FLH
	9961	CABLE CLIP	Late 67 to * - FL, FLH
	9965R	CABLE CLIP	58 to * - FL, FLH
34	9995	CLAMP, brake hose to siren bracket	58 to * - FL, FLH
35	11004	RETAINING RING	58 to * - FL, FLH
36	36441-43P	CABLE BLOCK WITH SCREWS	Late 71 to * - FL, FLH
37	36446-47	CABLE END, hand control	58 to 61 - FL, FLH
38	41837-58	CABLE SPRING	58 to 71 - FL, FLH
42	42798-67A	MOUNTING PLATE, brake hose	Late 67 to 69 - FL, FLH
41	42303-67	HYDRAULIC TUBE, rear brake	Late 67 to 69 - FL, FLH
	42303-75A	HYDRAULIC TUBE, rear brake	70 to * - FL, FLH
43	45203-65A	CAP, hand lever bracket	65 to * - FL, FLH
	45203-26	CONTROL COIL, 7.54 I.D. x 3/16 O.D. Stack vinyl covered - 29 ft.	58 to * - FL, FLH
44	45161-51A	ADJUSTING SCREW, control cable	Late 59 to Early 71 - FL, FLH
44A	45161-71	CABLE END, hand control with foot lever cable	Late 71 to * - FL, FLH
45	54526-58	STUD, shock absorber - left	58 to Early 67 - FL, FLH
	54528-67	STUD, shock absorber - left	Late 67 to * - FL, FLH
46	60574-65	SUPPORT PLATE, on chain housing cover	65 to * - FL, FLH
47	91089-58	SPACER, brake hose plate	Late 63 to * - FL, FLH
	91126-67C	SIREN AND FITTINGS (foot operated)	Late 67 to 72 - FL, FLH
	91127-67C	SIREN AND FITTINGS (foot or hand control)	Late 67 to 72 - FL, FLH
	91228-73	SIREN AND FITTINGS (foot operated)	73 to * - FL, FLH
	91229-73	SIREN AND FITTINGS (foot or hand control)	73 to * - FL, FLH
48A	91134-70	ROD ASSEMBLY, rear siren	70 to * - FL, FLH
48B	91135-70	FOOT LEVER AND BUSHING	70 to * - FL, FLH
48C	91140-70	ROD END, rear siren	70 to * - FL, FLH
48D	91145-70	HUB, rear siren	Late 67 to * - FL, FLH
	91149-71	FOOT LEVER KIT, rear siren	70 to 72 - FL, FLH
48E	91146-73	U-BOLT	73 to * - FL, FLH
48F	91147-73	SLEEVE, rear siren support	73 to * - FL, FLH
48G	91148-73	SPRING COLLAR, rear siren support	73 to * - FL, FLH
49	91158-49	BALL BEARING (2)	49 to 57; 58 to * - FL, FLH
50	91160-58	ROTOR	58 to * - FL, FLH
52	91162-59	ROTOR SHAFT, rear siren	Late 59 to * - FL, FLH
53	91163-58	SPACER, rotor shaft	58 to * - FL, FLH
54	91164-58A	BEARING RETAINER	58 to * - FL, FLH
56	91168-59	TIRE ROLLER, rear siren	Late 59 to Early 67 - FL, FLH
	91168-67	TIRE ROLLER, siren	Late 67 to * - FL, FLH
57	91165-59	SCREEN, rear siren cover	Late 59 to * - FL, FLH
58	91167-58	COVER, rear siren	58 to * - FL, FLH
59	91223-59	SPRING, rear siren	Late 59 to Early 67 - FL, FLH
	91225-67	SPRING, siren	73 to * - FL, FLH
60	91233-59	SUPPORT SHAFT, rear siren	Late 67 to 72 - FL, FLH
	91233-69	SUPPORT SHAFT, rear siren	Late 59 to * - FL, FLH
61	91234-59	COLLAR, support shaft	Late 69 to * - FL, FLH
62	91249-67	FOOT LEVER AND BUSHING	Late 59 to Early 69 - FL, FLH
64	91252-65	SUPPORT, foot lever	Late 67 to Late 71 - FL, FLH
68	91257-49	SHAFT, foot lever	65 to * - FL, FLH
70	91269-59A	PEDAL STOP	Late 59 to * - FL, FLH
72	91290-59	DEFLECTOR, rear siren	Late 59 to * - FL, FLH
74	91305-59A	HUB, rear siren	Late 59 to 64 - FL, FLH
	91309-61	BRACKET, rear siren hub	Late 59 to 64 - FL, FLH
75	91306-73	MOUNTING BRACKET, rear siren	73 to * - FL, FLH

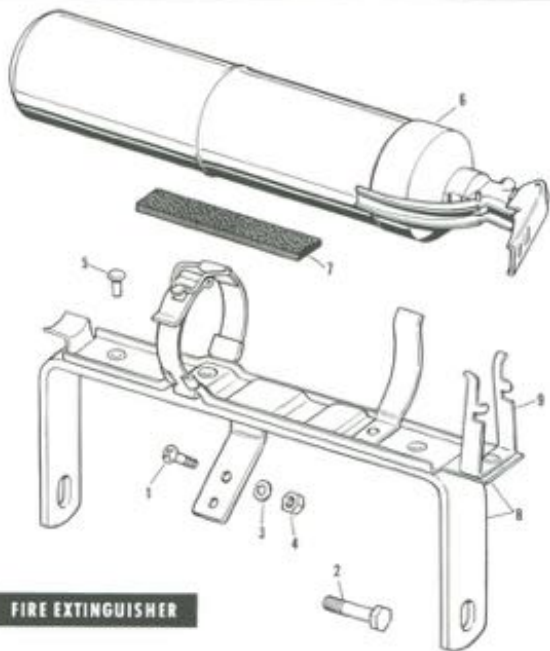
NOTE: Asterisk (*) indicates part is used for latest model year shown on cover.

SIREN (CONT'D)

INDEX NO.	PART NO.	NAME	USED ON
76	91310-07A	MOUNTING BRACKET, rear siren	67 to 73 - FL, FLH
76A	91310-71	MOUNTING BRACKET, siren	73 to * - FL, FLH
77	91313-58	BUSHING, hub bracket	58 to * - FL, FLH
80	9135A-59	HAND LEVER AND CABLE ASSEMBLY, rear siren	Late 59 to * - FL, FLH
	91356-59	CONTROL CABLE ASSEMBLY, rear siren (hand control with foot lever)	Late 59 to Late 71 - FL, FLH
	91356-71	CONTROL CABLE ASSEMBLY, rear siren (hand control with foot lever)	Late 71 to * - FL, FLH
87	91358-59	CONTROL CABLE ASSEMBLY, rear siren (foot control)	Late 59 to Late 71 - FL, FLH
	91360-59	CORE, control cable, rear siren (hand control with foot lever)	Late 59 to Late 71 - FL, FLH
	91360-71	CORE, control cable - rear siren (hand control with foot lever)	Late 71 to * - FL, FLH
90	91372-57	CABLE END	58 to * - FL, FLH
91	91374-58	HOOK, cable spring	Late 58 to Late 71 - FL, FLH
94	91377-58	SPRING, cable (hand control)	58 to * - FL, FLH
95	91379-58	HAND LEVER ASSEMBLY	58 to * - FL, FLH
96	91385-58	SCREW, hand lever	58 to * - FL, FLH

LIBERTY EDITION

INDEX NO.	PART NO.	NAME	USED ON
	53299-76	LUGGAGE BOX, complete	76 - FL, FLH
	53390-76	COVER, luggage box	76 - FL, FLH
	56517-76	WINDSHIELD FAIRING, orig.	76 - FL, FLH
	58120-76	TRIM STRIP, windshield fanning - 14" (black)	76 - FL, FLH
	58121-76	TRIM STRIP, windshield fanning - 4" (black) (2)	76 - FL, FLH
	61773-76	NAMEPLATE "AMF Harley-Davidson" (ign 18K) (2)	76 - FL, FLH
	90822-76	TRIM, saddlebag - right	76 - FL, FLH
	90823-76	TRIM, saddlebag - left	76 - FL, FLH
	91000-76	SADDLEBAG KIT, right	76 - FL, FLH
	91001-76	SADDLEBAG KIT, left	76 - FL, FLH
	91002-76	SADDLEBAG COVER ASSEMBLY	76 - FL, FLH



FIRE EXTINGUISHER

INDEX NO.	PART NO.	NAME	USED ON
1	2173	SCREW, 1/4-20 x 1/2 Posi-drive pan hd. (2)	63 to * - FL, FLH
2	4380W	BOLT, 3/8-24 x 2 hex. hd. (2)	63 to * - FL, FLH
3	7036	LOCKWASHER, 1/4 (2)	63 to * - FL, FLH
4	1680	NUT, 1/4-20 x 7/32 x 7/16 hex. (2)	63 to * - FL, FLH
5	8831	RIVET, 3/16 x 5/16 (2)	Late 64 to * - FL, FLH
	91620-63A	FIRE EXTINGUISHER AND BRACKET KIT	63 to * - FL, FLH
6	91623-74	FIRE EXTINGUISHER	Late 74 to * - FL, FLH
7	91625-63	CHARGE RE-FILL CARTRIDGE	63 to * - FL, FLH
7	91627-63	RUBBER PAD, for extinguisher	63 & Early 64 - FL, FLH
8	91625-63	CLAMP AND BRACKET	63 to Early 74 - FL, FLH
	91635-74	CLAMP AND BRACKET	Late 74 to * - FL, FLH
9	91656-64	MOUNTING BRACKET, for extinguisher	Late 64 to * - FL, FLH

NOTE: Asterisk (*) indicates part is used for latest model year shown on cover.

NUMERICAL INDEX

Part No.	Page	Part No.	Page	Part No.	Page	Part No.	Page	Part No.	Page
216	45	701 A	44	1766 W	48		29		85
255	33		51	1767 W	45		165		116
	197	704	9	1772 W	45		189		165
256	33		145	1783	58		192		199
271	5	707	51	1864 B	51	2591	165		207
334	35	711	20	2061 W	141		199	2661 W	175
	136	712	20	2065 W	235	2592	65	2662 W	169
341	9	713	20	2073 W	145		85	2664	44
358	9	720	9		175		129		48
375	51	930	19	2216 W	31		130		51
378	9		20		205		161		63
384	165		25	2265 W	136		175		79
515	20	948	31	2268 W	136		214		81
	23	990 W	165	2272	130	2593	203		63
	25	991	57		133	2594	33		165
	45		63	2333 W	48		116	2668	75
	48		115		51		161		163
	57		157	2337 W	136		193	2662	41
	61	997 W	25	2341 Hx	9	2595	201		43
	67		165	2345	136	2597	45	2690 W	29
	83	1040	165	2356	136	2598	189	2692 W	175
	85	1047	33		157	2599	205	2695 W	57
	93	1063 W	33	2360	45	2604	128		195
	136	1080 B	23	2401	179	2605	205	2698	176
520 W	79	1183	15	2402 W	27	2612	173	2710 C	130
534	3		25	2540	20	2614	44	2725	171
	9	1203	116		165	2622	5		123
	9		119	2544 W	165		25		125
	45	1235	57	2551 W	45		165		128
	48		83		191		175	2726	121
	53		85	2578 B	23		180		123
	55		199		51	2623 W	165		125
	69	1300 B	27	2583	128		189		128
	147	1301	9		189	2625	105		205
559	93		136	2584	116		192	2728	121
	205	1302	175	2585	23	2628	9		125
575	27		180		25		63	2750	189
600	197		230		33	2630 W	130	2751	57
601	197	1303	93		57		179		201
603	29	1304	214		165		189	2756 B	69
	31	1305	9		167	2634 W	99	2757 W	109
604	115	1308	9		175		130		203
612	192	1369	45		180	2636 W	191	2758	27
613	197	1374	29		192	2652	61	2763	161
615	33		57		201		67	2764 W	116
620	33		136		214		79	2768 W	129
623	33	1430	9	2586	165	2653	31	2773	53
	45	1608	45	2587	29	2657	65		128
625	45	1655	169		165	2659	165		136
653	9	1719 W	45		179		179		201
655	9		183	2589	20		195		217
657	9	1761 W	45		23	2660	7	2774	135
700	9	1764 W	45		25		69		137
	15	1765 W	48		27		73		147

NUMERICAL INDEX

Part No.	Page	Part No.	Page	Part No.	Page	Part No.	Page	Part No.	Page
2802 W	109		116		214	4021	137	4420	61
2803 W	195		133	3465 HB	103	4036	165		67
2804 W	145	3728	105	3974 HW	139	4041 W	113	4422 E	58
2805 W	105		109		9	4042 HW	211	4432 W	9
2808	116		175		95	4081	111	4434 W	67
	137	3738	27		99	4083 W	140		97
2816	105		49		105	4084 W	149		99
	197		203		108	4088	116	4435 W	4
2817	109		211		118	4319	65		153
2823	87	3765	27		121		97		155
	89		203		129		101	4440 W	99
2824 W	169		213		133		205		153
2830	89	3775	53		145		209		155
2841 W	211		113		153	4336 W	44		214
2871 W	167	3775	53		155		95	4450 W	99
	205	3787	105		181		116	4640	203
	213		113		211	4337 W	45	4710	148
2879 W	51		123	3983 W	189		101		153
	79		157	3986	165		107		155
2882 W	133	3802 W	109		203		116	4713 W	23
2887 W	116		147	3987	137		163		45
	163		201		189	4362	95		61
2889	176	3825	111	3991	150	4370 HB	101		67
3005 W	179		211		133	4371 W	87		97
3201 W	148		214		137		89		99
	149	3826	211	3996	97	4374 E	87	4716 W	133
	151	3831	137		99	4380 W	103		151
	153	3838	37		107		130		175
	155	3839 W	111		121		133		209
3206 E	175	3862 E	58		123		155	4720 W	113
	180	3945	133		125		203	4721	111
	183		151		153		217	4724	81
3207	83	3946	205	4012	55	4391	99	4725	37
	116	3951 E	107		139		149		140
3208	119	3952	189		153		175		153
3210	116		201		155	4401 W	61	4726	3
3232 H	205	3953 W	61	4014 W	45		67		87
3233	214		125		103		101	4729	93
3237 W	48	3956	67		121		151	4730	108
3238 W	44		121		123	4410	107	5430 W	15
3421 W	165		157		139		175	5761	151
3425 W	116		159		149	4411	44	5762	151
3433	85		165		151		87	5905	99
3453	81		175		189		89	5911	29
3491	165		180	4017	137		97	5915 E	116
	175		183		155		103	5917 E	157
	189	3958	115		205		111	5926 E	133
3560 W	130	3959	27		214		151		139
3561 W	130		53	4018 W	130		214	5933 W	123
3566 W	37		189	4020 W	65	4412	151	5640	108
3570 W	33	3960 W	140		153	4414	116	5942 E	133
3625	27		153		203	4415	148		97
3720	49		155		209		149		153
	65		180		211		153	5960 W	115

NUMERICAL INDEX

Part No.	Page	Part No.	Page	Part No.	Page	Part No.	Page	Part No.	Page
5968 B	190		39	6416	3		169		163
5982 W	67		57		115	6703	43		165
	140		145		133		107		183
5983 W	67	6253 W	41	6443 HM	55		109		189
5988	140		105	6448 HB	61		123		192
5989	79		113		67		130	7022	65
6041	165		209		101		135		71
6075 W	23	6255 B	123	6466 W	3		137		73
6106	33	6257 W	44	6469 HM	3		163		77
6107 B	133	6261	123		4		191		209
	139	6300	69	6473 HB	87		213	7030 W	23
6150 W	4	6314 W	123	6486 HM	61	6716	25		27
	165	6316 W	14	6495 HM	4		65		117
6156	15		44	6497 HM	3		130		121
	33		51	6506	7		161		123
	67		105	6516 HM	3		163		125
6160 P	140		129		4		179		128
6161	140		147	6521 W	3		205		165
6165 W	25	6324 W	29		4		214		189
	33		95	6522 HB	3	6718	74		205
6182 W	23		137		4		115	7036	15
	33		140	6524 W	3		205		27
	165	6327 B	140		4		214		29
	175		205	6565 W	115	6722 B	71		33
	189	6332 B	205	6581	15		73		35
	201	6333	121	6590 HM	69		115		37
6185	189		125		71	6725 HB	205		39
6186	29		214		214	6750	45		41
6189 W	20	6334	61	6649	93		49		43
	33		99	6653	77	6752	45		44
	180	6335	33	6677 HB	85		49		45
6192	9		130	6700 B	145	6754	45		49
	163		205	6701	9		49		53
	175	6341 B	108		51	6762 B	3		101
6193	29		135		81		4		105
6197	165		205		107		171		109
	179	6375 B	45		108	6768	169		111
6218 W	87		83		133		171		117
6220 W	45	6377	15		205	6774	9		129
	61	6379 W	115		209	6804	140		133
	67		117		211	6807 W	57		135
	111		163	6702	3		83		145
	159	6388 HB	137		53	6811 W	63		157
	189	6393	179		55	6817	147		159
	195	6396 W	211		83	6894	58		161
6228 W	23	6398	211		91	6910 W	115		175
	175	6399	211		97	6921 W	115		183
	203	6400 HB	9		121	6969	20		191
	205		49		123	7010	23		197
6229 W	67		57		125		27		201
6230	81		103		133	7015	25		203
6236 B	205	6408 HB	51		135		27		205
6240 B	203		214		139		33		211
6242 W	37	6409	45		175		161		214

NUMERICAL INDEX

Part No.	Page	Part No.	Page	Part No.	Page	Part No.	Page	Part No.	Page
	217		99		129		65		189
7038	23		103		130		79		205
	25		107		161		81		215
	27		113		163		83	7609 W	165
	44		118		165		105		175
	45		121		175		117		180
	51		125		179		130	7612 W	211
	53		129		180		165	7613 A	130
	58		130		189		167	7614	171
	61		133		201		179	7620 W	43
	65		139		203		197		45
	67		140		205	7229 W	105		57
	85		145		214		157		63
	97		147	7112	51		173		79
	101		148		165		175		81
	103		149		169	7230	37		83
	107		151	7115	33		41		85
	108		153		57		45		115
	111		155		130		69		117
	133		157		165		109		129
	140		167		167		175		130
	147		175		179		201		163
	148		180		180		45	7231	165
	149		181		214		53		179
	151		183	7118	31	7232	130	7624	201
	153		189		69		133	7626 W	15
	155		197		73		189		33
	176		203		199		211		165
	197		205		201		213		215
	205		211		207	7233	130	7634	15
	209		214	7126	29		133		29
	214	7042	176		45	7242	65	7635 W	131
7039	3	7043	205		211		209	7638	15
	4	7065	103	7127	41	7315	137		27
	53	7067	75		140		165		29
	55	7068	71		165	7410	130		37
	61		111		169	7501	173		53
	79		117		201	7564	165		57
	83		167		205	7572 W	111		161
	85		214	7130 W	45		115		165
	99	7069	15		79		214		179
	205		23	7136	203	7581	209		191
7041	9		24		214	7590	165		197
	25		37	7145 W	79		169		201
	27		43		99	7602	191	7651	121
	37		49		163	7608	25		123
	45		51		180		27		125
	49		63	7149	169		33	7654 W	121
	53		65		171		163		125
	61		79	7206 W	165		165		128
	67		85	7220	29		175		189
	89		115		41		179		205
	91		117		43		180	7676	29
	95		128		44		183		35

NUMERICAL INDEX

Part No.	Page	Part No.	Page	Part No.	Page	Part No.	Page	Part No.	Page
	41	7697	135		67		85		69
	57	7725	19		95		95		73
	111		29		99		97		95
	129		49		103		107		209
	135		83		107		108	7984	53
	157		85		113		111	7986	71
	159		93		118		131		73
	161		95		131		133	7588	65
	175		97		133		148		209
	203		111		141		149	7493	65
	211		140		145		151		115
	215		148		147		153	8034	205
7680 W	133	7727	6		149		155	8659	205
7682	107		49		151		205	8395 A	65
	203		57		153		215	8115 B	37
	213		141		155	7805 P	111	8125	183
7683	27	7729	81		161	7808	27		201
	29	7734 W	65		189	7809	11	8126	145
	33		205		203	7812 W	115	8131 W	131
	37	7736	99		205	7813	77		205
	49	7737 W	167		215	7823	205	8133 W	105
7684	37	7744	27	7754	121	7825	3		131
	133		33		128		4		133
	211		45		180		58		205
7686	113		57	7763 W	93		61		209
	143		67	7775	11	7837 W	53	8135 B	211
	213		53		49		55	8140 W	211
7688	37		85		57		83	8226	55
	39		93		61		99	8227	55
	41		103		99		215	8232	55
	43		121		103	7843	79		205
	103		125		115	7844	117	8241	44
	111		139		137	7849	71	8303	167
	135		157		147		167	8321	205
	137		175		155	7848 W	61	8331	217
	145		215		211	7851 W	23	8479	81
	147	7748 W	61		215		27	8483	191
	157		99	7776 W	20		53	8512	137
	159		91		103		101	8515	103
	173		117		133		101		131
	183		163	7778	79		107	8524	58
	151		183		111		147		215
	147		197		175		205	8532	58
	201		205		180	7867 W	3	8583	103
	205	7753	3	7783	141		4	8856	147
	217		11		197	7872	3	8866	15
7689 W	119		25		209	7873	99	8872	49
7691 W	15		41	7800 W	25	7880	167	9007	29
	53		44		45	7911	44	9009	75
	57		45		51		51	9020	51
	63		49		57	7921	215	9028	11
	101		51		61	7947 W	93	9029	11
7692	149		57		67	7977	44	9033	95
7695 HB	129		61		69	7980	65	9037	137

NUMERICAL INDEX

Part No.	Page	Part No.	Page	Part No.	Page	Part No.	Page	Part No.	Page
9040	137		103	9970	187	11002	11	16484-74	3
9052	71	9057	171	9971	187		15	16485-668	3
	73	9062	187	9972	165	11004	29	16485-74	3
	77	9071	187	9976	165		215	16492-668	3
9058	11	9075	187	175	11007	11		16492-74	3
9062	35	9901	187	181	11012	147		16493-668	3
9063	35	9902	105	199	11015	63		16493-74	3
	137	165	9981	175	11016	45		16602-30	3
9064	29	176	9982	117	11017	165			4
9084	51	187	9983	117	11027	71			205
9085	51	9903	187	161		73	16700-664	3	
9086	51	9904	187	165	11031	46	16702-664	3	
9101 A	7	9905	187	9986	179	11035	75	16725-664	3
9102 A	7	9909	187	9990 W	63	11036	57	16770-48	4
9103 A	7	199		187			83	16770-664	3
9104 A	7	9910	187	9991 A	153		85	16776-63	3
9105 A	7	9912	175	155	11037	53			4
9106 A	7	9913	187	209		57	16777-63	3	
	45	9914	187	9992	165	11039	35		4
9108 A	7	9918	105	9993	141	11040 P	141	16814-48	3
9171 A	7	187	9995	65	11041	35			4
9172 A	7	9923	187	215	11047	87	16830-29	51	
9173 A	7	9924	187	9998	141	11048	87	16830-54	51
9174 A	7	9925	187	10001	165	11063	63	16831-30	3
9175 A	7	191		175	11065	87			6
9176 A	7	9926	187	181	11068	55	16852-67	3	
9179 A	7	199	10002	175	11084	31	16853-48	3	
9180	7	9931	165	181	11101	3			6
9181	7	187	10006	57		33	16864-48	3	
9182	7	191		61		35	16865-52	3	
9183	7	199		67	11105	11			6
9184	7	9932	187	145		87	17028-58	6	
9185	7	199		165		147	17029-66	3	
9220 A	11	9941	197	175	11107	21	17034-48	3	
	69	9944	187	181	11111	63			6
9221 A	11	9945	187	183	11115	51	17360-48	6	
9222 A	11	9952	167	187	11125	137	17360-66	3	
9223 A	11	175		199	11400	199	17375-48	6	
9224 A	11	180		201	11405	165	17375-66	3	
9225 A	11	191		209		199	17428-57	3	
9260	117	9955	153	10007	187	11410	139	17448-57	3
9442 A	7	155		191		176	17448-71	3	
9443 A	7	9957	27	199	11411	133	17452-66	3	
9444 A	7	117	10008	65		139	17500-66	3	
9445 A	7	187	10009	165	11430	189	17502-66	3	
9446 A	7	9958	117	10012	165	12002	29	17506-66	3
9450 A	7	215		175	12013	51	17507-48	6	
9540 A	55	9961	179	187	12014	55	17508-66	3	
9851	45	215	10013	145	12018	137	17509-544	6	
	57	9963	63	10014	141	12022	51	17540-69	3
	61	175		145	12026	11	17541-488	6	
	67	9965 W	128	10020	145	16091-76	3	17611-664	3
	69	175	10025	183	16092-76	3	17647-48	6	
	95	215	11000	55	16484-668	3	17905-66	3	

NUMERICAL INDEX

Part No.	Page	Part No.	Page	Part No.	Page	Part No.	Page	Part No.	Page
17905-53B	6			22143-74	7	24001-70	9	24608-54	11
17920-53	3	18195-48	6	22144-74	7	24001-72	9	24641-36	11
	6		6	22145-55B	7	24002-70	11	24643-69	11
17935-48B	6	18196-51	4	22145-74	7	24003-55	58	24650-58	11
17935-66	3		6	22146-55B	7	24006-58	9	24651-58	11
17938-48B	6	18201-57A	6	22146-74	7	24006-73	9	24652-58	11
	3		4	22147-55B	7	24010-54	11	24653-58	11
17945-36B	3	18202-57A	4	22147-74	7	24015-36	9	24654-58	11
	6		6	22148-55B	7	24017-72	9	24655-58	11
17947-36	3	18204-36A	4	22148-74	7	24018-72	9	24692-54	67
	6		6	22149-55B	7	24023-36	9	24692-58	11
17950-48	6	18221-36	4	22149-74	7	24023-54	11	24699-37	11
17950-66	3		6	22325-55	7	24029-55	11	24703-54	11
17955-36	3	18222-48	4	22327-55	7	24032-66	11	24721-30	69
	6		6	22328-55	7	24032-70	11	24791-36	11
17955-48	3	18228-36	4	22329-55	7	24033-66	11	24805-30	11
	6		6	22330-55	7	24033-70	11	24806-36	11
18055-66A	3	18522-53A	4	22331-55	7	24034-66	11	24809-30	11
18056-66A	3		6	22332-55	7	24034-70	11	24811-59A	137
18057-48	6	18534-29A	4	22333-55	8	24035-66	11	24811-63	11
18057-66	4		6	22355-53	8	24035-70	11	24815-40	11
18058-66	4	18556-57	4	22357-53	8	24036-66	11	24818-52	51
18074-66	4		6	22358-53	8	24036-70	11	24819-36	15
18082-57	6	18570-38	4	22359-53	8	24037-66	11	24820-36	15
	6		6	22360-53	8	24037-70	11	24824-67	21
18082-60	4	18600-53	6	22361-53	8	24281-41A	9	24825-66	21
	6	18600-66A	4	22362-53	8	24281-74	9	24827-66	139
18100-49	6	18610-53	6	22363-53	8	24290-74	9	24812-68A	11
18102-49	6	18610-66A	4	22581-32	8	24294-74	9	24812-65	11
18163-48	6	18633-48A	4	22582-52	8	24298-36	9	24818-52	11
	6		6	22735-32	8	24302-36	9	24818-68	11
18164-48	6	18634-48A	4	22739-32	8	24339-36	9	24820-67	145
	6		6	22760-73	8	24335-36	9	24881-66	11
18165-48	4	18660-53	4	22762-73	8	24345-36A	9	24881-70	11
	6		6	23741-55	11	24356-36A	9	24882-66	12
18166-48	4	22101-53C	7	23906-65B	8	24366-51	9	24882-70	12
	6	22101-74	7	23906-70B	8	24366-71	9	25214-66	12
18167-48	4	22103-53C	7	23906-73	8	24376-71	9	25216-70	12
	6	22103-74	7	23906-74	8	24385-40B	9	25216-73	12
18169-48	4	22104-53C	7	23919-65A	8	24386-40B	9	25218-63	12
	6	22104-74	7	23919-70A	8	24387-40B	9	25225-36C	12
18171-48	4	22105-53C	7	23919-72	8	24388-40B	9	25225-70A	12
	6	22105-74	7	23940-41A	8	24389-40B	9	25275-36	12
18188-48A	4	22106-53C	7	23961-41	8	24390-40B	9	25279-36	12
	6	22106-74	7	23966-54A	8	24391-40B	9	25313-50	12
18189-48A	4	22107-53C	7	23971-54	8	24490-36	11	25313-73	12
	6	22107-74	7	23973-41	8		95	25314-50	12
18190-48A	4	22108-53C	7	23985-12	9	24519-66A	11	25315-50	12
	6	22108-74	7		58	24519-70	11	25316-52	12
18191-48A	4	22109-53C	7	23985-18	9	24519-73	11	25414-70	137
	6	22109-74	7	23985-54	9	24599-58	11	25416-70	137
18192-48A	4	22141-55B	7		11	24600-58	11	25523-48	12
	6	22141-74	7	23985-56	9	24601-58	11	25523-56	12
18193-48A	4	22143-55B	7	24001-65	9	24602-58	11	25523-70	12

NUMERICAL INDEX

Part No.	Page	Part No.	Page	Part No.	Page	Part No.	Page	Part No.	Page
25550-36	12			27291-32	23	27352-66	21	27500-66	21
25550-57	12	26348-36	12		25	27353-66	21	27504-66	21
25551-36	12		15	27297-57	23	27354-66	21	27509-66	21
25552-36	12	26349-54	12	27301-57	23	27355-66	23	27509-66	21
25553-36	12	26349-73	12	27302-57	23	27356-76	17	27509-66	21
25554-36	12	26362-36	15	27303-57	23	27358-76	17	27509-66	21
25555-36	12	26363-36	15	27304-76	17	27359-76	17	27612-71	19
25581-36	12	26363-56	15	27305-76	17	27360-76	17	27613-71	19
25581-70	12	26374-54	15	27306-76	17	27361-76	17	27614-71	19
25582-54	12	26377-68	15	27307-76	17	27362-76	17	27615-66	21
25582-73	12	26390-68	15	27308-76	17	27363-61	25	27616-66	21
25715-47	54	26400-54	15	27309-76	17	27364-76	17	27617-66	21
25715-71	67	26424-50	15	27310-76	17	27366-76	17	27618-66	21
25775-36	12	26551-39C	15	27311-76	17	27367-76	17	27618-71	19
25785-30A	12	26560-63	15	27312-76	17	27368-76	17	27619-66	21
25791-36	12	26569-58	15	27313-76	17	27369-76	17	27619-71	19
25794-36	12	27006-76	17	27314-76	17	27370-57	23	27620-66	21
25800-36	12	27012-67	21	27315-76	17	27371-76	17	27620-71	19
25811-11	197	27021-57	21	27317-50	25	27373-76	17	27621-71	19
25850-36A	12		23	27317-66	23	27375-29	25	27622-66	21
25856-36	12	27021-71	19	27318-51	25	27375-57	23	27622-71	19
26200-68B	15	27023-71	19	27319-76	17	27376-28	25	27623-71	19
26200-73A	15	27027-55A	25	27320-76	17	27376-57	23	27624-66	21
26201-48D	15	27060-55	19	27321-76	17	27377-57	23	27630-71	19
26202-65	15		21	27322-76	17	27378-57	23	27631-71	19
26206-73	15		25	27323-57	23	27379-76	17	27640-66	21
26207-73	15	27063-57	19	27324-57	23	27380-57	23	27641-71	19
26227-56	15		21	27325-33	23	27381-57	23	27642-71	19
26232-68	15		25		25	27383-11	25	27644-66	21
26232-73	15		209	27326-71	19	27386-57	23	27645-71	19
26234-73	15	27065-57	19	27327-24	25	27387-57	23	27646-71	19
26237-50A	15		21	27328-76	17	27389-71	19	27651-75	19
26249-41	15		25	27329-57	23	27391-36	25	27652-75	19
26246-68A	15	27132-71	19	27330-33	25	27396-71	19	27653-75	19
26257-50A	15	27138-66	21	27331-57	23	27403-71	19	27654-75	19
26258-68B	15	27147-66	21	27333-76	17	27404-71	19	27655-75	19
26265-68A	15	27155-72B	19	27335-76	17	27405-26	25	27656-75	19
26315-48	15	27155-76	17	27336-76	17	27406-26	21	27658-66	21
26315-68A	15	27160-66B	21	27337-76	17		25	27659-71	19
26317-62	15	27164-71	19	27338-76	17		27	27661-66	21
26317-68A	15	27205-57	23	27339-76	17	27407-66	21	27663-71	19
26326-62A	15	27221-66	27	27340-76	17	27411-40	25	27664-71	19
26327-52	15	27246-66	27	27341-71	19	27412-40	25	27665-71	19
26327-68	15	27260-57	23	27342-71	19	27416-76	17	27666-71	19
26328-74	15	27270-49B	23	27343-57A	23	27417-76	17	27668-66	21
26338-68	15	27271-71	19	27344-57	23	27418-76	17	27669-66	21
26340-36	15	27272-71	19	27347-69	21	27419-76	17	27671-55	21
26345-39	12	27272-74	19	27348-76	17	27420-76	17	27673-66	21
26345-73	12	27276-57	23	27349-11	23	27424-68	25	27686-71	19
26346-68	12	27280-51	25		25	27448-57	23	27688-66	21
		27281-71A	19		27	27449-66	21	27689-61	21
26346-70	12	27282-71	19	27349-27	25	27450-36	23	27691-59	21
			23	27349-53A	23		25	27704-61	21
26348-15	12	27286-57	23	27351-57	23	27459-74	19	27706-66	21

NUMERICAL INDEX

Part No.	Page	Part No.	Page	Part No.	Page	Part No.	Page	Part No.	Page
27707-66	21	29225-67	27		41	31576-73	43	32580-66	33
27708-67	21	29603-48	33	31465-65	35	31579-73	43	32584-70	12
27712-66	21	29554-71	31	31476-65	39	31580-73	43	32584-71	12
27714-66	21	29557-70	31	31476-66	41	31581-73	43	32585-36	33
27715-67	21	29557-75	31	31478-65	35	31582-73	43	32586-65	161
27716-55	21	29465-70	31		137	31583-73	43	32588-64A	33
27716-61	21	29565-75	31	31479-65	137	31584-73	43	32588-70A	12
27716-67	21	29475-58A	29	31482-65	35	31585-73	43	32589-65	33
27717-66	21	29475-65A	29	31482-70	35	31586-73	43	32591-70	12
27718-67	21	29480-73	31	31485-65	35	31600-61	37	32592-36	33
27720-61	21	30011-58	29	31493-67	35	31607-64	37	32594-47	33
27725-71	19	30012-58	29	31501-65	35		201	32604-64	33
27737-71	19	30013-71	148	31502-65	35	31609-65A	37	32605-67	33
27740-66	21		153	31503-65	35	31613-61	37	32605-69	33
27746-66	21		155	31503-70	35	31620-47	37	32605-70	33
27747-66	21	30095-61	29	31504-65	39		201	32607-70	12
27748-71	19	30116-69	29	31509-65	39	31640-70	201		33
27750-72	19	30118-69	29	31510-65	39	31645-70	201	32608-70	12
27751-69P	195	30132-61A	29	31511-65	39	31650-69A	175		33
27759-66	21	30143-58	29	31513-65	39		185	32608-72	12
27760-66	21	30145-66A	29	31514-65	39		201		33
27762-71A	19	30201-58A	29	31516-64	39	31651-70	201	32610-70A	33
27763-71	19	30201-65	29	31517-64	39	31710-69	201	32629-67	33
27804-66A	21	30276-58	29	31518-64	39	31724-65	37	32629-70	33
27806-66	21	30280-58	29	31519-64	39	31727-65	37	32631-70	12
27812-66	21	30350-58	29	31520-64	39	31800-65	37		33
27814-66	21	30350-66	29	31521-64	39	31970-52	37	32661-70	34
27816-66	21	30421-58A	29	31522-64	39	31951-74A	37	32669-47	34
29002-58	27	30426-58	29	31524-65	39	31998-68	201	32670-70	34
29016-58	27	30453-58	29	31526-65	39	32000-37	37	32676-49	34
29018-71A	27	30475-66	29	31528-65	39	32301-47A	37	32676-64	34
29019-58	27	30476-58	29	31530-65A	35	32301-60	37	32678-49	34
29020-66	27	30477-58	29	31531-69	35	32303-47A	37	32690-61	34
29020-71	27	30505-47	33	31532-65	39	32305-48A	37		185
29023-56	27	30507-47A	33	31533-65	39	32307-58	37	32690-65	34
29024-73	27	30507-63	33	31534-66	41	32309-69	37		185
29027-66	27	30605-48A	33	31535-66	41	32342-58	37	32726-30A	34
29030-56	27	30851-61	29	31536-66	41	32502-66A	33	33008-70	51
29032-68	27	30851-65A	29	31537-66	41	32511-66	33	33011-70	51
29036-41A	27	31035-58	29	31538-66	41	32516-66	33	33013-70	51
29036-66	27	31070-58	29	31539-66	39	32521-36	33	33014-74A	51
29036-72	27	31096-58	29		41	32521-64	33	33030-68	44
29060-56	27	31097-58	29	31540-66	41	32522-67	33	33031-36	51
29084-73	27	31098-58	29	31541-66	41	32522-70	33	33031-65	51
29086-73	27	31435-65A	197	31542-66	41	32525-36A	33	3304-72	111
29205-69	27	31436-65A	197	31565-67	41	32531-36	33	33052-71	44
29205-76	27	31439-65	197		43	32535-48	33	33057-72	44
29212-71	27	31440-65	197	31568-67	41	32536-48	33	33063-36A	44
29214-67A	27	31441-65	197		43	32537-48	33	33068-54	44
29214-71	27	31443-65A	35	31570-73	43	32538-48	33	33076-37	44
29216-67	27	31444-65A	197	31572-73	35	32542-64A	33	33080-36	44
29216-72	27	31445-65	35	31575-73	43	32542-70A	33		71
29220-67	27	31452-65	197	31576-73	43	32573-70	33	33082-16	44
29221-73	27	31455-64A	39	31577-73	43	32577-70	33		51

NUMERICAL INDEX

Part No.	Page	Part No.	Page	Part No.	Page	Part No.	Page	Part No.	Page
33085-36	44	33638-52	46	34068-52	47	34609-61	47	35282-59	52
33090-36	44	33638-70	46			34609-65	47	35282-74	52
33096-54A	44	33644-65	46	34068-52	47	34611-65	47	35286-39	52
33150-59	44	33644-71	46			34614-74	47	35293-36	52
33152-59	44	33656-66	49	34140-36	47	34650-65	47	35306-59	52
33153-60	44	33660-58	47			34690-74	47	35322-38	52
33163-65A	55	33660-65	47	34158-36	47	34700-36	51	35337-36	52
	58	33660-70	47			34701-65A	51	35365-36	52
33175-16A	44	33660-74	47	34159-36	47	34705-65A	51	35440-38	52
33178-63	44	33675-37A	49			34720-56	51	35466-73	52
33182-63A	44	33676-66	49	34160-39	47	34723-47	51	35607-73	52
33189-63	44	33745-31	49			34724-36	51	35614-65	52
33202-63	44	33775-37	49	34165-36	47	34743-65	95	35630-36	52
33213-31	45	33776-47	49			34793-65	47	35635-69	52
33215-30	45	33776-66	49	34168-39	47			35665-36	52
33217-73	43	33776-47	49					35700-69	52
33237-64	51	33778-66	49	34175-36	47	34797-70	47	35700-73	52
33276-70	51	33789-66	49					35703-69	52
33277-36A	45	33791-66	49	34179-33	47			35717-74	52
33288-37	45	33851-52	47			34799-65	48	35751-36	52
33290-36	45	33857-51	49	34180-33	47	34799-74A	48	35762-39	52
	51	33857-66	49			34800-65	49	35765-36	52
	58	33865-66A	49	34182-76	47	34601-65	49	35775-39	52
33291-36	45	33870-51	47	34428-52	47	34802-65	49	35789-36	52
	51			34430-36	49	34803-59	48	35791-36	52
	55	33871-67	47	34435-52	47	34824-36	49	35810-36	52
33295-36	45	33875-60	49	34447-52	47	35039-65	51	35811-36	52
	51	33878-51	47	34447-74	47	35039-70A	51	35812-36	52
33298-65	19			34448-51	49	35040-50	51	35875-36	52
	45	33900-59	197	34453-52	47	35046-36	51	35876-36	52
	51	33960-36A	47	34459-26	49	35050-40	51	35877-36	52
33299-65	51			34477-53	47	35065-65B	51	35878-36	52
33350-36	45	33960-65	47	34478-53	47	35072-70	51	35879-36	52
33353-36	51			34478-75	47	35073-70	51	35882-36	52
33355-36	45	33960-74	47	34482-53	47	35094-31	51	35883-36	52
33358-36	45	34006-74	47	34488-52B	47	35094-65	51	35884-36	52
33381-39	45	34010-36	49	34498-52	47	35100-36	51	35915-36	52
33390-26	46	34010-76	49	34500-52A	47	35111-36	51	35917-36	52
	49	34011-39	49	34525-54	47	35125-37	51	35920-36	52
33391-36	45	34019-73	47	34551-52	47	35129-36	51	36027-36	52
33393-50	45			34552-52	47	35131-36	52	36046-36	52
33396-39	45	34030-36	49	34555-52	47	35159-39	52	36048-36	52
33429-39	51	34031-41	47	34555-74	47	35171-37	52	36140-36	52
33430-50	45			34560-52	47	35175-38	52	36150-31	52
33430-59	45	34036-36	47	34564-71	47	35203-36	52	36158-36	52
33438-50	45			34564-74	47			36810-65A	53
33560-75	45	34050-36	47	34565-52	47	35211-36	52	36811-65	53
33626-72	57			34574-74	47			36812-65	53
	195	34053-36	49	34600-74	47	35212-73	52	36816-65	53
33630-52	46	34057-36	49	34603-71	47			36820-68	45
33630-65	46	34062-52	47	34604-71	47	35216-36	52	36821-68	45
33630-70	46			34606-54A	47			36830-36	53
33630-71	46	34064-52	47	34606-74	47	35230-39	52	36842-41	53
33631-66	49			34609-52	47	35231-36	52	36857-36	53

NUMERICAL INDEX

Part No.	Page	Part No.	Page	Part No.	Page	Part No.	Page	Part No.	Page
3686-48	53	37850-68	55	40060-12	59	41470-67	59		67
3686-49-70	53	37855-41	55	40069-30	59	41470-73	59	41765-58	61
3687-40	53	37860-41	55	40070-28	59	41485-30	59		67
36880-36	53	37871-41	55	40091-15	59	41485-67	59	41766-58	61
36899-41	53	37930-41	55	40092-15	59	41552-38A	69		67
36906-36	53	37930-68	55	40093-15	59	41552-67	69	41768-73	79
36909-36	53	37975-41	55	40094-15	59		72	41769-58	61
36913-41	53	38010-41	55	40098-39	59	41552-73	71		67
36916-36	53	38025-41	55	40264-55	59		73	41770-58	61
	57	38077-41	55	40209-55	59	41576-36	69	41801-58A	65
36917-36	53	38460-52	49	40210-55	59		99		209
36917-65	53		57	40211-55	59	41576-73	95	41801-63	65
36918-52	57	38475-65	57	40270-67A	59	41594-73	71	41805-63	65
36936-65A	61	38505-52	57	40271-65A	59	41595-36	69	41806-72	79
36962-67	61	38600-68	57	40272-65A	59	41595-67	69	41807-73	79
36964-67	61	38608-72	57	40275-53A	59		73	41807-74	81
37051-36	53	38608-73	57	40275-70	59	41595-73	71	41808-63	65
37052-65	53	38609-68	57	40280-55A	59		73	41835-58	65
37053-68	57	38609-72	57	40280-70	59	41596-30	65		209
37070-39	55	38618-52	57	40282-55A	59	41596-63	65	41835-69	61
37070-75	55	38618-68	57	40282-70	59	41600-63	65		67
37076-38A	55	38622-73	133	40292-55A	59	41600-67	65		83
37077-68	55	38623-68	57	40299-70	59	41603-32	65		85
37222-52	157		183	40302-55A	59		73	41836-58	65
37226-75	55	38625-52	57	40324-70	59	41650-58	65		209
37245-38	55	38630-51	45	40375-70	59		209	41836-63	65
37285-65	55	38641-61B	215	40384-70	59	41650-63	65	41837-58	65
37285-70	55	38646-47	215	40385-65	59	41680-67	65		209
37285-75	55	38674-52	57	40385-70	59	41720-58	65		215
37310-39	55	38712-68	57	40392-70	59		209	41837-63	65
37311-75	55		61	40968-73	71	41720-63	65	41841-31	65
37312-75	55		63		73	41725-63	65		83
37337-36	55		67	40981-67	69	41729-63	65		85
37348-41	55		79		73	41734-73	79		203
37357-41	55		81	40981-73	71	41740-63	65	41848-64	85
37361-41	55		189	40982-67	69	41741-63	65	41849-64	85
37496-41	55	39973-65	59		73	41742-58	65	42257-71	67
37496-65	55	39976-65	59	40682-76	207		209	42257-72	67
37498-41A	55	39990-65	59	40985-76	207	41743-58	65	42269-30	48
37503-41	55	39992-65	59	41191-74	81	41746-58	65		61
37523-15	55	39993-65	59	41196-55	69	41748-63	65		67
37549-41	55	39996-65	59		73	41749-58	65	42269-70	61
37550-41B	55	39998-65	59		207		79		67
37566-58	55	40007-36A	59	41196-73	71		81	42298-67A	215
37567-41A	55	40009-36A	59		73		209	42299-72	67
37574-44	55	40026-15C	59	41197-73	59	41750-63	65	42300-63	65
37576-41	55	40029-15C	59	41198-73	79	41761-58	61	42300-73A	79
37581-47	55	40033-15	59	41210-55	69		67	42301-58B	61
37583-41	55	40034-15	59		73	41761-73	61	42302-58	61
37585-41	55	40052-15	59		207		67	42303-67	215
37702-65A	55	40052-65	59	41402-63	65	41762-58A	61	42303-70A	61
	59	40053-15	59	41460-67	65		67		67
37702-70A	55	40053-65	59	41425-37	65	41764-58	61		215
	59	40055-39	59	41470-62	59	41764-70	61	42304-70A	61

NUMERICAL INDEX

Part No.	Page	Part No.	Page	Part No.	Page	Part No.	Page	Part No.	Page
42305-71A	61	43018-73	77	43563-35	69	44134-72A	79		85
	67	43024-70	75	43566-35	69	44135-74	79		199
42309-70	61	43024-73	77	43566-35A	69	44140-64	85		215
	67	43025-70	75	43570-35	69	44154-73	79	45031-41	57
	209	43025-73	77	43571-35	69	44156-64	85		83
42310-58	61	43031-36	69	43574-55	69	44166-73	79	45031-65	57
42311-58	61	43032-40	69	43576-35	69	44264-64	85		83
	67		71	43577-67	69	44271-74	81		85
42314-71A	61		73		73	44272-74	81	45031-72	63
	67		207		207	44273-74	81	45032-72	63
42315-72	67	43033-40	69	43578-35	12	44274-74	81	45033-49	57
42318-72	61		71		69	44275-74	81		83
	67		73	43592-70	69	44276-74	81	45033-65	57
	209		207		75	44277-74	81		83
42319-72	61	43099-29	69		207	44278-74	81	45034-68	57
	67		71	43600-64	75	44279-74	81		83
42321-71	61		73	43600-73	77	44280-74	81		85
	67		75	43600-74	77	44281-74	81	45036-68	57
42327-70	61		77	43636-52	75	44283-74	81		83
	67		207	43644-73	71	44307-52	85		85
42328-73A	79	43485-75	71		73	44401-498	83	45037-73	63
42330-72	67	43495-70	75	43740-64	75	44432-54A	83	45039-68	57
42333-58	61	43505-70	75	43745-73	77	44441-75	71		13
42333-70	61	43509-73	77	43871-52	75	44448-48	83		85
	67	43509-74	77	43871-73	77	44454-48	85	45041-65	57
42394-65	67	43530-35A	65	43875-48	69	44490-62A	83		83
42399-71A	67		79	43875-67	69	44499-48	83	45044-74	61
42399-72A	67		83	43875-72	69	44505-48	83		63
42401-58A	61		209	43875-73	71	44524-51	85		67
42401-70	61	43531-35	65	43882-48	83	44525-49	83	45053-72	63
42401-73	61	43540-67A	73	43882-67	83	45002-41	57	45054-72	63
42402-59	61		69	43885-72	71		83	45055-72	63
42402-70	61	43540-73	71		79	45002-65A	57	45056-72	63
42402-73	61		73	43886-30	83		83	45057-72	63
42411-70	61	43542-67	69	43886-52	75	45002-69	83	45059-72	63
	67		73	44089-74	81		85	45060-54	83
42425-71	67		207	44104-72A	79	45010-73	63	45061-72	63
42427-58	61	43548-73	77	44105-72	79	45012-72	63	45063-72	63
42436-72	67	43548-74	77	44106-72	79	45013-72	63	45064-66	83
42439-72	67	43549-36	65	44107-72	79	45016-72	63	45071-72	63
42440-72	67	43549-67	69	44108-72	79	45023-41	57	45073-26	215
42480-59	61		73	44109-72	79		83	45081-71	85
42480-70	61	43551-76	207	44111-67	83	45023-65	57	45091-66	83
42480-73	61	43552-39	69	44111-72	79		83	45092-66	17
42486-71	67	43554-15	69	44114-73	79	45023-65	83		19
43002-70	75	43556-35	69	44123-72	79		85		21
43008-40A	69	43557-73	79	44124-72	79	45024-65A	85		83
	71	43558-39	69	44125-69	83		57	45110-62P	57
	73	43559-73	71	44126-69	83		83	45120-72A	63
43006-57	65		73	44127-72A	79	45024-72	63	45137-51	83
43007-40A	69	43560-35	69	44128-72	79	45030-28	57		85
	71	43561-39	69	44129-73	79		83	45159-50	83
	73	43562-76	65	44132-72	79	45030-65A	83		85
43010-70	75		207	44133-72	79		57	45161-51A	215

NUMERICAL INDEX

Part No.	Page	Part No.	Page	Part No.	Page	Part No.	Page	Part No.	Page
45161-71	215			45917-73	89	46161-49	94		89
45174-64	85	45753-50	93	45918-73	89	46170-71	87	48365-48	87
45175-69	87		205	45926-73	89	46172-48	94		89
45202-50A	83	45754-60	93	45927-73	89	46201-52	87		94
45203-52	85	45756-59	87	45928-73	89	46230-71	87	49016-72A	97
45205-49	83	45757-49	87	45931-73	89	46231-71	87	49019-72	97
45207-49	83		93	45932-73	89	46243-68	87	49032-74	97
45216-47	83	45765-49	93	45933-73	89	46700-60	94	49037-588	97
	85	45766-49	93	45944-71	87	46715-48	94	49038-588	97
45218-52	85	45768-49	93	45946-71	87	46718-48	94	49064-36	205
	117	45769-49	93	45950-48	94	46720-48	94	49135-678	97
45400-75	91	45771-74	135	45953-71	87	46727-48	94	49137-678	97
45401-75	91	45773-74	135	45964-49	94	46730-48	94	49168-67A	97
45402-75	91	45775-49	93	45965-48	94	46731-48	94	49169-678	97
45403-75	91	45775-50	93	45972-48	94	46732-48	94	49170-67A	97
45404-75	91	45776-49	93	45974-73	89	46740-60	94	49171-678	97
45405-75	91	45777-50	93	45975-71	87	46741-71	94	49400-59A	99
45406-75	91	45778-50	93	45976-73	89	46743-60	94	49404-61	99
45407-75	91	45782-72	87	45976-74	89	46746-52	94	50003-588	99
45408-75	91		84	45977-73	89	46751-48	94	50011-30	99
45409-75	91	45794-69	93	45978-73	89	46901-73	195	50013-74	99
45410-75	91	45796-69	93	45979-73	89	46901-75	195	50014-74	99
45412-75	91	45797-69	93	45980-73	89	46902-73	195	50015-74	99
45418-72	93	45798-69	93	45982-73	85	46902-75	195	50026-74	99
45505-69	93	45799-69	93		91	46903-75	195	50036-36	99
45509-72	93	45800-50A	93	45983-73	89	46904-75	195	50036-74	99
45518-73	79	45800-65	93	45984-73	89	46905-75	195	50049-58	99
45521-73	63	45801-69	93	45985-73	89	46906-75	195	50052-70	99
45521-74A	81	45804-69	93	45986-73	89	47004-65E	95	50061-340	99
45527-73	89	45805-65	93	45992-73	89	47094-58	95	50094-36	99
45527-74	89	45807-72	93	45993-73	89	47261-68	95	50100-69	99
45532-74	81	45818-52	87	45993-74	89	47500-50C	95		137
45567-71	87	45821-72	79		91	47500-73	95	50100-70	99
45567-73	89		89	45994-73	89	47510-58	95		137
45645-72	93	45821-75	79		91	47513-58	95	50603-40	101
45695-73	93		93	45995-73	89	47517-58	95	50603-66	101
45697-50B	93	45822-72	79	45996-73	89	47519-58	71	50605-74	101
45700-60A	93		89		91		73	50614-40	101
45706-50B	93	45822-75	79	45997-73	89		95	50614-66	101
45709-60A	93		93		91	47519-72	71	50616-14	101
45710-58	93	45823-49	93	45998-73	89		77	50616-66	101
45711-51A	93	45824-49	93	46001-71	87		79	50620-74	101
45717-63	93	45826-49	93	46024-75	91	47554-73	95	50622-40	101
45718-48	93	45830-48	93	46025-75	91	47698-65	95	50623-40	101
45718-60	93		137	46051-49A	94	48155-30	192	50628-14	101
45718-71	87	45836-48	93	46057-71	87	48300-60	87	50635-14	101
	89	45840-48	93	46062-71	87		89	50655-58A	101
45732-60	117	45849-48	93	46100-48	94		94	50655-70	101
45733-48	93	45850-48	93	46100-71	87	48311-60	94	50657-70	101
45738-73	89	45852-48	93	46111-48	94	48315-60	87	50658-36	101
45739-62B	87	45854-48	93	46121-48	94		89	50658-55	101
45751-71	87	45856-48	93	46125-48	94		94	50658-58	61
	89	45894-52	87	46128-48	94	48330-48A	87		101
45752-50	93	45916-73	89	46160-71	87	48362-38A	87	50658-70	101

NUMERICAL INDEX

Part No.	Page	Part No.	Page	Part No.	Page	Part No.	Page	Part No.	Page
50659-70	101	52006-478	103	52683-74	111	54537-72	115	56106-74	117
50664-35	61	52022-72	109	52688-65	111	54538-73	115	56121-60A	96
	67	52025-75	109	52698-65	111	54540-67	115		117
	205	52039-71	105	52700-65	111	54543-65	115	56121-73	94
50668-62	101	52061-71	105	52793-64	107	54544-65	115	56129-60A	117
50669-37	101	52074-71	105	53217-69	113				
50800-71A	67	52079-71	105	53299-76	216	54545-65	115	56129-73	94
	111	52090-25	103	53300-69	113	54546-73	115	56153-73	117
50805-61P	111	52096-34	103	53303-69	113	54554-71	115	56154-52	117
50806-61P	111	52098-34	103	53304-69	113	54555-71	115	56158-49	87
50807-61P	111	52103-31	103	53305-69	113	54555-73	115		117
50809-62P	111		205	53306-65	113	54558-73	115	56158-73	117
50880-69	111	52104-36	103		211	54559-73	115	56159-49	117
50881-69	111	52110-71	105	53307-69	113	54570-73	115	56159-73	117
50884-69	111	52119-71	105		211	54590-54	115	56201-62A	117
50900-72	111	52140-73	109	53310-69	113	54635-67	115	56205-62A	117
50907-69A	111	52465-65	108	53311-69	113	54700-67	115	56206-74	118
50912-72	111	52466-65	108	53312-69	113	54702-67	115		119
50930-75	111	52467-65A	108	53314-69	113	54702-73	115	56216-53	118
50939-52	111	52469-65A	108	53321-69	113	54704-52	115	56220-53	118
50940-52	111	52471-65A	107	53324-69	211	54706-65	115	56220-58	118
50946-52	111	52473-65A	107	53325-69	113	54708-65	115	56220-74	118
50970-52	111	52486-600	108	53326-69	113	55930-76	117		119
50973-65	111	52490-600	108	53329-69	113	55961-76	117	56238-62	118
51610-58	103	52506-65B	107	53331-69	113	56043-65	117	56276-31	118
51614-58	103	52537-65C	107	53332-69	113	56044-72	117	56278-10	118
51626-36	103	52510-65A	107	53350-76	216	56044-75	117	56288-53	118
51639-36	103	52511-65	108	53403-58A	113	56045-65	117	56300-74	119
51640-29	103	52514-61C	107	53417-65	113	56053-60	117	56302-74	119
51642-24	103	52520-64A	107	53418-65	113	56053-65	117	56303-74	119
51644-13	103	52524-59	108	53450-52	113	56054-60	117	56313-76	119
51661-36	103	52525-65	107	53451-52	113	56054-65	117	56377-65	118
51672-25	103	52526-66	108	53454-52	113	56056-72	117	56378-65	118
51674-25	103	52538-72	109	53455-52	113	56056-75	117	56389-74	119
51770-29	103	52541-59	108	53456-52	113	56062-73	107	56393-76A	119
51771-29	103	52550-65	108	53460-74	113	56078-69A	117	56394-74	119
51772-31	103	52551-36A	107	54226-45	117	56083-69A	117	56395-74	118
51773-31	103	52554-59	108	54500-67	115	56083-73	117		119
51774-31	103	52560-68	107	54500-73	115	56083-74	117	56396-74	118
51775-31	103	52566-65	107	54508-71A	115	56084-65	117		119
51777-30	103	52575-65	107	54508-73	115	56084-73	117	56397-74	119
51778-30	103	52583-68	107	54509-71A	115	56085-68	117	56400-53A	118
51780-30	103	52584-68	107	54509-73	115	56085-69A	117	56401-73	118
51790-29	103	52586-68	107	54515-58A	115	56087-63	117	56410-53	118
51791-31	103	52596-65	107	54515-65	115	56087-68	117	56502-74	119
51793-29	103	52602-65	107	54515-67	115	56088-69A	117	56503-65	118
51900-30	103	52605-58	107	54515-73	115	56089-69	117	56505-74	119
51911-29	103	52608-68	107	54516-58	215	56093-70	117	56506-74	119
51918-29	103	52609-65	107	54517-67	115	56101-52	117	56507-74	119
51920-29	103	52616-72	109	54518-67	115	56102-60	117	56575-26	118
51925-37	103	52625-59A	108		215	56103-74	117		101
51925-65	103	52626-71	105	54530-67	115	56104-52A	117	56581-26	118
51989-86	103	52650-65	111	54534-73	115	56104-73	117		101
52004-25	103	52681-58A	111	54536-67	115	56104-74	117	56589-60	118

NUMERICAL INDEX

Part No.	Page	Part No.	Page	Part No.	Page	Part No.	Page	Part No.	Page
56590-60	118	58161-69	123	58587-36	129	59584-73A	133	60102-73	133
56591-60	118	58162-65	123	58589-36	129	59594-73	133	60348-65	137
56609-52	118	58163-69	123	59000-58F	131	59604-69B	131	60600-74	48
	118	58164-69	123	59007-73A	133	59616-71	133	60508-65	137
57978-63	175	58169-69	123	59028-70A	133	59650-72	133	60508-70	137
57990-60B	128	58166-69	123	59109-70	133	59650-74	133	60512-71	111
57996-60	121	58167-69	123	59111-74	143	59652-71	141		137
57999-61	125	58168-69	123	59136-69	131	59652-72	131	60513-71	111
58001-71A	125	58171-69	123	59164-71	131	59652-74	131		137
58003-71	125	58200-75	127	59170-71	131	59654-71	131	60514-65	137
58004-71	125	58201-75	127	59171-71	105	59654-72	131	60516-65A	35
58017-61	125	58202-75	127	59172-71	105	59654-74	131	60516-65	137
58018-61	125	58203-75	127	59176-72	87	59656-71	131	60540-36	137
58020-49A	123	58204-75	127		89	59656-72	131	60540-65A	137
58020-61	125	58205-75	127	59195-58	131	59656-74	131	60549-65	145
58022-49	121	58206-75	127	59196-65	131	59699-73	131	60549-70	137
58025-61A	125	58207-75	127	59204-59	131	59750-62	131		145
58027-60	121	58208-75	127	59204-59B	131	59853-58A	131	60554-65	145
58033-49A	123	58209-75	127	59208-71	133	59867-30	131	60556-74	137
	121	58210-75	127	59208-72	133	59867-55B	131	60565-36	137
58037-49A	123	58211-75	127	59208-74	133	59870-72	133	60567-36	137
	123	58212-75	127	59209-71	131	59882-73	133	60567-65	137
58038-61	125	58213-75	127	59209-72	131	59892-72	133	60572-65	137
58039-61	125	58214-75	127	59209-74	131	59892-73	133	60574-65	111
58048-50	121	58215-75	127	59210-72	133	59892-58	131		215
	123	58216-75	127	59211-74	131		133	60577-65	135
	125	58217-75	127	59216-59B	131	59933-58	131	60578-74	137
58049-50A	123	58218-75	127	59233-68	131		133	60579-74	137
	121	58219-75	127	59233-76	131	59938-72	133	60586-69	139
	125	58220-75	127	59235-48A	131	59978-74	135	60587-69	139
58072-63	128	58221-75	127	59235-59A	131	59979-74	135	60588-69	139
58073-63	128	58222-75	127	59252-69	131	59981-74	135	60589-65	135
58078-49	121	58223-75	127		133	59982-74	135	60591-69	135
	125	58224-75	127	59253-69	105	59983-75	135	60593-74	137
58079-49	121	58225-75	127		131	59984-72	135	60617-65A	137
	125	58225-75	127	59254-72	89	59984-73	135	60619-70	137
58085-49	121	58226-75	127		209	59985-72	135	60619-71	137
	125	58227-75	127		211	59986-75	135	60619-73	137
58086-49	121	58228-75	127	59254-72	89	59988-72	135	60619-74	137
	125	58229-75	127		131	59989-71	105	60629-55	137
58095-49	121	58230-75	127	59255-72	105	59995-55A	135	60640-29	137
58096-49	121	58231-75	127		109	59995-72A	135	60641-74	137
58102-49	121	58300-75	127		131	59995-73	135	60644-65	137
	148	58317-76	216		133	59997-55	135	60645-65	197
	149	58320-76	216		205	59999-55A	135	60646-65	137
	155	58321-76	216		209	59999-72	135	60649-60	55
	181	58424-75A	123		211	59999-73	135	60650-54A	59
	205	58511-37	129	59260-68	179	60001-55	135		137
58107-60	121	58531-37	129	59266-68	179	60001-72	135	60654-55	137
58118-60	121	58554-51	129	59268-68	179	60002-55	135	60655-55	137
58119-60	121	58563-51	129	59269-68	179	60111-58A	131	61102-75	141
58125-63	128	58568-30	129	59271-68	165	60301-71	133	61103-36	141
58132-66	205	58568-36	129		179	60302-63	133	61103-72P	141
58160-69	123	58581-37	129	59274-68	179	60302-71	133	61103-73	141

NUMERICAL INDEX

Part No.	Page	Part No.	Page	Part No.	Page	Part No.	Page	Part No.	Page
61114-48	141	61257-75	143	61773-76	143		145	65435-70	153
61116-65	141	61258-74	143		205	63549-65	145	65440-48	153
61122-39	141	61258-75	143		216	63561-65	145		155
61125-72	141	61259-74	143	61795-68	143	63578-52	12	65443-66	153
61127-71	141	61259-75	143	62096-69	141		19		155
61138-73	118	61260-74	143	62123-66P	141		145	65463-71A	148
61139-73	141	61260-75	143	62125-55B	141	63580-66A	145	65464-73	149
61142-72	142	61261-74	143	62129-75	141	63592-68	145	65465-36	153
61142-76	143	61261-75	143	62141-50	141	63609-72	63		155
61144-71	141	61262-74	143	62141-69P	141	63610-70	15	65493-58	153
61145-71	141	61262-75	143	62142-50	141	63614-72	15	65493-66	153
61146-71	141	61263-74	143	62142-69P	141	63799-65A	147	65494-61	155
61146-72	142	61263-75	143	62150-50	34	63826-53	147	65494-65	155
61146-73	142	61264-74	143		141	63831-67	147	65494-70	155
61147-71	141	61264-75	143	62161-75	141	63839-53	147	65496-61	155
61148-71	141	61265-74	143	62162-75	141	63840-48A	147	65496-66	155
61148-72	142	61265-75	143	62270-32	141	63846-67	147	65496-70	155
61148-73	142	61266-74	143	62335-66A	141	63858-49	147	65498-73	149
61148-74	143	61266-75	143	62360-50	141	63860-58A	147	65503-58	153
61148-75	143	61267-74	143	62504-65A	145	63878-53	147	65505-61	155
61148-76	143	61267-75	143	62534-65	145	63879-53	147	65510-61	155
61149-72	142	61268-74	143	62535-65	145	63881-67	147	65512-37A	153
61149-73	142	61268-75	143	62563-65	157	63882-67	147		155
61150-71	141	61370-75	143		157	63885-65	147	65513-58	153
61150-72	142	61371-75	143		159	63885-70	147		155
61150-73	142	61372-75	143	62576-65A	183	65201-75A	151	65519-48A	153
61150-74	143	61373-75	143	62610-52A	147	65230-65A	149		155
61150-75	143	61374-75	143	62611-66	147	65235-73	149	65527-65	153
61151-71	141	61375-75	143	62612-66	147	65239-41A	153		155
61152-65P	141	61376-75	143	62620-66	147	65240-41A	148	65538-65	155
61153-73	142	61377-75	143	62625-70	145		153	65539-65	153
61153-74	143	61470-76	143	62626-66	147	65242-62A	155	65550-58	153
61153-75	143	61471-76	143	62702-52	12	65242-70A	155	65555-34	153
61154-73	142	61472-76	143		52	65268-73	149	65560-65	153
61155-73	142	61473-76	143	62783-66	4	65272-73	149		155
61155-74	143	61474-76	143	62785-66	4	65276-62	148	65561-70	153
61155-75	143	61475-76	143	63500-68	145		149		155
61156-73	142	61476-76	143	63501-66	141		151	65563-70	153
61157-72	143	61477-76	143		145		151	65565-70	153
61161-74	143	61478-76	143	63526-57	4	65277-58	153		155
61162-74	131	61479-76	143		12		155	65567-70	155
61163-74	143	61491-76	143	63527-57	4	65279-57	149	65713-61	153
61167-71	142	61492-76	143	63529-50	147	65293-58	148	65760-75	151
61170-71	142	61493-76	143	63529-57	4		153	65834-68	148
61170-73	142	61494-76	143	63533-15	12		155		149
61171-73	142	61495-76	143		15	65307-73	149		151
61178-73	142	61546-74	141	63533-41	12	65318-58A	148		153
61179-73	142	61558-73	141		15		153		155
61202-67	141	61562-66P	141		137		155	65991-75	159
61214-73A	141	61605-36	141	63533-65	12	65318-59A	155	66002-49AD	157
61217-69A	141	61763-70	143	63540-62	15	65331-71	105	66006-290	157
61229-67A	141	61771-72	143	63541-70	12	65334-75	151	66006-65A	157
61230-69	141		205			65400-73	149	66008-70	159
61257-74	143							66013-70	159

NUMERICAL INDEX

Part No.	Page	Part No.	Page	Part No.	Page	Part No.	Page	Part No.	Page
66016-65	157	67323-76	163	67716-60A	169	67899-66A	171	68520-63	175
66100-70	159		171	67717-60B	169	68009-70	105	68521-63	175
66103-74	159	67324-76	163	67717-64	169	68008-73A	173	68524-63	175
66111-70	159	67605-68A	165	67717-65	167	68009-70	105	68525-52A	175
66190-71	159	67607-68	165	67718-60	169	68010-64B	173	68525-62	175
66191-73	159	67609-68	166	67719-63	167	68025-73	173	68525-67	175
66234-65	157	67621-70	166	67721-68	169	68026-73	173	68526-63	175
66204-70	157	67623-69A	166	67724-71	169	68027-73	173	68527-63	175
66204-74	157	67624-69A	166	67725-63	167	68086-55	173	68530-67	175
66212-65	157	67627-69A	166	67726-71	169	68088-70	105	68536-72	171
66214-71	159	67627-70	166	67729-68	153	68089-70	105	68536-75	171
66225-73	159	67628-59	166	67732-71	169	68090-69	173	68539-61	181
66352-65	157	67629-59	166	67733-72	167	68093-55A	173	68541-64	171
	159	67630-62	166	67744-75	167	68108-70	105		181
66353-65	157	67632-70	166	67745-63	167	68114-55	173	68541-70	176
66367-73	159	67634-59	166	67753-60	169	68119-55	173	68543-61A	176
66369-70	159	67635-59	166	67753-63	167	68119-69	173	68543-64A	176
66370-65	157	67636-59	166	67753-70	169	68121-55	173	68545-70	176
66371-65	157	67637-70	166	67765-60	169	68122-55	173	68552-70	176
66371-70	159	67638-59	166	67766-60	169	68123-55	173	68558-60	171
66373-54	157	67638-64	166	67767-60	169	68123-73	173	68563-60	169
66376-65	157	67639-59	166	67768-60	169	68125-70	105		171
66378-70	157	67640-59	166	67769-60	169	68128-70	105	68563-75	171
66383-65	157	67641-59	166	67778-60	169	68131-70	105	68564-60	169
66383-70	157	67642-59	166	67779-60	169	68165-47	173		169
66425-68	157	67643-59	166	67780-60	169	68165-64	105	68565-60	169
66470-70	159	67644-59	166	67781-60	169		173		171
66476-73	159	67644-70	166	67807-73	167	68166-64	105	68566-60	171
67004-68A	161	67646-55	166	67809-75	167		173	68570-63	176
67005-68	161	67647-59	166	67815-59A	167	68185-69	173	68571-63	176
67006-68	161	67648-59	166	67818-71	167	68185-70	173	68572-64A	176
67009-72	118	67648-64	166	67830-59	167	68195-55	173	68576-70	176
	163	67649-59	166	67832-71	167	68196-55	173	68582-73	169
67020-73A	163	67650-59	166	67832-73	167	68225-55	173	68586-63	176
67021-73A	163	67651-59	166	67833-75	167	68462-49	189	68598-70	181
67026-62	161	67652-59	166	67839-74	167	68462-64	189	68600-70	181
67051-73	163	67655-59	166	67840-70	175	68476-73	176	68601-70	181
67059-62	161	67656-59	166		181	68477-73	176	68603-62	181
67055-73	163	67657-59	166	67841-60	169	68478-73	176	68603-70	181
67066-76	161	67658-59	166	67842-60	169	68479-73	176	68604-62	181
67074-57	161	67659-59	166	67843-70	175	68480-73	176	68604-70	181
67075-57A	161	67660-59	166	67844-70	181	68481-73	176	68605-70	181
67127-73	163	67661-59	166	67846-70	175	68482-73	176	68627-62A	181
67130-69	161	67662-59	166		181	68483-73	176	68632-64B	181
67141-36	161	67663-59	166	67847-60	169	68500-68	175	68634-64	181
67141-67F	163	67664-59	166	67848-60	169	68503-65	175	68638-70	181
67180-73	163	67665-59	166	67849-60	169	68507-65	175	68662-38	181
67181-73	163	67702-65	169	67850-60	169	68508-64	175	68668-38	181
67195-67P	163	67702-70	169	67851-75	171	68510-73	175	68672-38	167
67198-67P	163	67705-74	167	67860-76	169	68510-74	175		173
67210-73	163	67710-72	167	67891-68	171	68514-73	176		181
67215-68	161	67712-60	169	67891-75	171	68518-68	175	68673-38	181
67217-68	161	67714-63	167	67895-66	169	68519-68	175	68674-69	181
67321-76	163	67715-59	105	67898-66	169		181	68676-69	181

NUMERICAL INDEX

Part No.	Page	Part No.	Page	Part No.	Page	Part No.	Page	Part No.	Page
68689-38	181		181	70249-70	181	70576-68	105	71159-73	189
68690-69	181		193	70255-73	185		163	71161-68	189
68692-38	181	70060-68	193	70259-74	185		176	71161-68	189
68693-38	181	70060-70	193	70261-47	185		181	71161-70	189
68694-38	181	70061-70	176	70262-47	185		183	71162-70	189
68696-38	181	70063-65A	185	70265-72	176		187	71166-73	189
68715-69	181	70064-73	195	70308-70	166		189	71182-47A	189
68715-64	181	70067-73A	195	70313-71	185		199	71183-47	189
68720-62	181	70069-65A	185	70318-70	183	70577-26	133	71190-47	189
68721-62	181	70071-74	185	70320-70	185		176	71241-68A	189
68723-62	181	70072-65	185	70320-71	185	70578-71	187	71266-68A	189
68725-62	181	70072-74	185	70320-73A	185	70584-69	176	71295-68	189
68726-62	181	70073-74	185	70321-65	185		183	71297-68	190
68726-64	181	70074-74	185	70326-71	185		187	71300-68A	190
68727-62	181	70075-74	185	70326-73A	185		191	71455-67	197
68727-64A	181	70076-74	185	70326-75	185	70600-74	163	71457-67	197
68728-64	181	70078-75	195	70326-76	185	70934-68A	189	71463-73	197
68780-68	181	70079-75	185	70330-65	185	70935-73	189	71465-65	197
68795-68	176		195	70335-68	179	70952-68	189	71466-65	197
	181	70086-73	185	70335-70	166	70952-70	189	71467-65	197
68797-68	181	70088-73	185	70336-68	166	70952-71	189	71468-65	197
69000-76	183	70089-73	185		179	71027-68	189	71469-65	197
69003-76	183	70091-58	176	70337-68	166	71028-68	189	71483-72	195
69009-76	183	70091-63	176		179	71029-68	189	71484-72	195
69010-76	183	70093-70	176	70343-75	185	71090-47	161	71500-36A	192
69017-76	183	70101-49	185	70343-76	185		169	71501-73	192
69018-73	4	70105-73	185	70378-73	185		171	71506-36A	192
69116-73	183	70120-70	193	70418-61	181		189	71507-64A	197
69117-65	183	70120-73	163	70418-69	176	71090-64	161	71507-71	197
69125-65	183	70121-70	193	70418-73	176		163	71510-36A	192
69130-69C	183	70122-73	195	70419-61	181		169	71516-36	192
69131-68	183	70124-75	193	70419-67	197		179	71519-75	195
69138-65	183	70126-65B	192	70420-67	197		189	71524-59A	192
69140-76	183		181	70425-70	176	71092-66	171	71525-36	192
69141-70	183	70144-73	185	70426-70	176	71098-38	166	71530-66	192
69144-65	183	70145-73	185		181		179	71539-72	195
69149-65	183	70146-49B	165	70428-70	176		189	71534-72	195
70005-70	187	70148-75	163	70429-70	176	71099-74	163	71535-72	195
70009-71	105	70150-75	163	70430-70	181	71134-68	189	71539-73B	195
70012-70	105	70158-73	185	70456-73	34	71138-68	189	71541-73	192
70016-65A	183	70159-73A	185		185	71139-68	189	71546-75	195
70017-70A	105	70160-48A	185	70461-67	185	71139-70	189	71547-75	195
70023-72	195	70160-65A	185	70485-68	199	71141-68	189	71550-36	192
70023-75	195	70160-73	185	70551-69	185	71143-75	189	71550-75	192
70024-72	195	70161-65	185	70552-69	185	71144-75	189	71559-73	195
70024-73	195	70167-47	185	70553-69	185	71145-75	189	71560-36	192
70024-75	195	70169-70	185	70554-69	185	71146-74	163	71562-36	192
70051-72A	195		197	70555-69	185	71146-75	163	71580-36	192
70052-73A	195	70170-65	185	70556-71	185	71151-48	161	71587-36	192
70054-73A	195	70176-73	195	70558-71	185		189	71623-75	192
70058-50B	176	70182-65	185	70559-71	185	71151-67P	163	71626-59	192
70059-66	193	70191-73A	185	70574-68	166	71151-70	189	71626-62	113
70059-70	176	70209-41	185		189	71156-47	189		213
70060-29	166	70209-65A	185	70575-50	176	71158-47	189	71650-74	183

NUMERICAL INDEX

Part No.	Page	Part No.	Page	Part No.	Page	Part No.	Page	Part No.	Page
71650-75	163	74300-75	127	87176-37	206	90808-68	211		212
71795-63A	163		195	87181-37	206	90811-68	211	90966-67	212
	201	74400-68	199	87191-58	206	90822-76	216	90976-64	212
71800-26A	193	74410-68	199	87192-58	206	90823-76	216	90989-63	212
71802-26A	193	74414-68	199	87192-73	206	90844-59F	211	91000-76	216
71804-26	193	74422-68	199	87197-58	206	90851-58C	211	91001-76	216
71804-65	193	74425-68	199	87197-73	206	90852-58E	211	91002-76	216
71806-53	193	74427-68	199	87205-58	206	90855-68C	211	91003-68	213
71811-26	193	74430-70A	199	87206-58	206	90856-68C	211	91014-68	213
71813-26	193	74432-70A	199	87254-24	206	90858-58D	211	91016-68	203
71840-29	193	74433-70	199	87265-24	206	90865-66	203	91021-68	213
71843-29	193	74440-68	199	87267-24	206	90871-70	211	91041-66	203
71846-65	193	74452-68	199	87433-36	206	90875-63	211	91042-66	203
71847-65	193	74472-68	199	87433-76	206	90877-63	211	91075-68	213
71847-70	176	74477-68	199	87436-67	206	90891-63	211	91081-68	213
	181	74479-68	199	87444-33	206	90900-63	211	91082-68	213
71851-29	193	74484-68	199	87657-58A	209	90908-58	153	91089-58	139
71856-61	193	74510-67A	201	87657-76	209		155		213
71859-29	193	74510-64	201	87669-58	209	90913-67	211		215
71859-38A	193	74510-70A	201	87670-76	209	90919-68	211	91091-64	131
71861-29	193	74510-75	201	87671-76	209	90920-68	211		213
71900-70	191	74511-58	201	87672-76	209	90921-68	211	91126-67C	215
72001-65A	195	74531-58	201	87750-58	209	90922-63D	211	91127-67C	215
72013-73	191	74533-70A	201	87752-58	209	90923-63C	211	91128-73	215
72015-39	191	74533-75	201	87775-58	209	90924-67C	211	91129-73	215
72023-51	191	74555-65	191	87777-65	209	90924-68C	211	91134-70	215
72024-71F	191	74586-65	191	87777-70	209	90925-67C	211	91135-70	215
72037-71	187	74586-70	191	87778-58A	209	90925-68C	211	91142-70	215
72038-71	171	74589-73	191	87778-64	209	90927-63D	211	91143-70	215
	187	74594-71	191	87900-67A	209	90928-63D	211	91145-71	215
	194	74594-73	191	88100-24A	206	90929-64A	211	91146-73	215
72039-71	187	74765-47	201	88172-25	206	90929-70A	211	91147-73	215
72041-71	187	75000-69	199	88174-37	206	90931-63A	211	91148-73	215
72043-71	187	75002-69	199	88241-36	206	90931-64A	211	91150-69	215
72044-71	187	75003-69	199	88244-36	206	90931-70A	211	91160-58	215
72047-71	187	75005-69	199	88304-67	206	90937-64	211	91162-59	215
72275-74	187	75006-69	199	88310-67	206	90939-66	211	91163-58	215
	199	83162-51	12	88314-37	206	90943-69	211	91164-58A	215
72276-74	187	83566-51	61	88366-36A	206	90944-69	211	91168-59	215
72277-74	187	83975-37A	205	88425-67	206	90947-63	211	91168-67	215
72278-74	187	85210-42A	115	88481-67	206	90949-63A	211	91181-55	215
72300-70	190	87044-67A	205	88487-67	206	90952-63	211	91182-58	215
72301-49	190	87062-58	205	88491-67	206	90953-63	212	91225-59	215
72303-70	190	87082-62	206	88528-67	206	90955-63	212	91225-67	215
72305-70	190	87082-73	206	88694-67	206	90957-64	212	91233-59	215
72310-70	190	87083-73	206	88695-67	206	90960-64	212	91233-65	215
72311-70	190	87084-73	206	88698-67	206	90961-63A	212	91234-59	215
72312-73	190	87094-36B	206	88850-67	206	90961-70	212	91249-67	215
72325-48	190	87117-36	206	88862-67	206	90962-63	212	91252-65	215
72335-48	190	87127-36	206	88883-67	206	90962-70	212	91257-49	215
72341-56A	190	87128-36	206	88885-67	206	90963-63	212	91269-59A	215
72345-48	190	87135-36	206	88895-67	206	90964-63	113	91290-59	215
72501-74	187	87136-36	206	90800-68	211		214	91305-59A	215
72502-74	187	87136-36	206	90805-68	211	90965-63	113	91309-61	215

NUMERICAL INDEX

Part No.	Page	Part No.	Page	Part No.	Page	Part No.	Page	Part No.	Page
91310-67A	216	95587-75	71						
91310-73	215		73						
	216		75						
91313-58	216		77						
91354-59	216	95588-75	71						
91356-59	216		73						
91356-71	216		75						
91358-59	216		77						
91360-59	216								
91360-71	216								
91372-57	216								
91374-59	216								
91377-58	216								
91379-58	216								
91385-58	216								
91574-56A	107								
91620-63A	217								
91623-74	217								
91625-63	217								
91627-63	217								
91635-63	217								
91635-74	217								
91656-64	217								
91700-49	116								
91701-49	57								
	83								
	118								
91704-15	185								
92040-74	163								
92040-76	163								
92041-74	163								
92045-76	163								
	171								
92050-65A	161								
92051-65	161								
92055-65	161								
92067-65A	161								
92074-73	163								
92080-65	161								
92093-65	161								
92097-65	161								
92099-65	161								
95578-41	71								
	73								
	75								
	77								
95581-47	71								
	73								
	75								
	77								
95582-47	71								
	73								
	75								
	77								