



AMF

Harley-Davidson

PARTS CATALOG

on CD

FX Models

Super Glide

1980

1971 to

ISSUED: FEBRUARY, 1980

No. 99455-80

GENERAL INFORMATION

This Parts Catalog has been prepared for your convenience when ordering parts for SUPER GLIDE Models FX, FXS, FXEF, FXS-80 and FXEF-80. Wherever possible, parts are shown in assembly breakdown sequence. Index numbers shown in the illustrations correspond to index numbers in parts lists. Consult the illustrations when ordering parts so you are sure to get what you want. In most cases, only the latest parts are shown in the illustrations, however, parts lists cover some parts used as early as 1971.

Number in parenthesis following description of part is the quantity needed for complete assembly shown in illustration. If there is no number in parenthesis, only one is used.

Prices of parts and accessories listed in this catalog are published separately in the latest RETAIL PRICE LIST.

The following instructions should be followed carefully when ordering parts:

- Specify the correct part number for each item. Check the "Used On" column of the parts list which shows the model on which the part fits. Whenever in doubt, refer to the Vehicle Identification Number (V.I.N.) stamped on the engine crankcase.

The Vehicle Identification Number (V.I.N.) is located on the engine right crankcase and is the same as the frame number located on the right side of the steering head.

The V.I.N. (vehicle identification number) for SUPER GLIDE MODELS are as follows:

SUPER GLIDE (Model)	FIRST TWO DIGITS (Model)	NEXT FIVE DIGITS (Sequential Number)	SECOND LAST DIGIT (Manufacturer)	LAST DIGIT (Model Season)	
FX-1200	2C	10000 and up Jan. 1, 1978 to 1979 ONLY 60,000 and up	H-1970 thru 1979 J-1980 & later	7-1977	
FXE-1200	9D			8-1978	
FXEF-1200	5E			9-1979	
FXEF-80	6E			0-1980	
FXS-1200	2F				
FXE-80	6G				
FXS-80	7G				

Examples: 1977 FXS-1200 (2F 12456 H7)
1978 FXE-1200 (9D 12457 H8)
1979 FXEF-80 (6E 12458 H9)
1980 FXS-80 (7G 12459 J0)

- An asterisk (*) in the "Used On" column indicates part is used for 1980 models (the latest model year covered by this catalog.)
- Part Numbers are to be used when ordering by TELEGRAM or CABLE.
- When ordering parts use our standard Parts & Accessories order form, Part No. 99511-76, for all parts except engines and crankcases. Order form, Part No. 99514-76, must be used for engines and crankcases. The use of these forms will enable us to fill and ship your order more promptly. These forms are furnished free of charge upon request.
- Do not order motorcycles or advertising matter on Parts Order Forms. Write nothing on the order form except the order itself, as any other correspondence will not be answered until the order is shipped and billed.
- Freight, Express and Parcel Post orders should be on separate order forms.
- For your own records, number and date all orders, also keep a carbon copy for reference in case of misunderstanding.

COPYRIGHT 1980 BY HARLEY-DAVIDSON MOTOR CO., INC., ALL RIGHTS RESERVED
Subsidiary of AMF Incorporated
Printed in U.S.A.

ALPHABETICAL INDEX

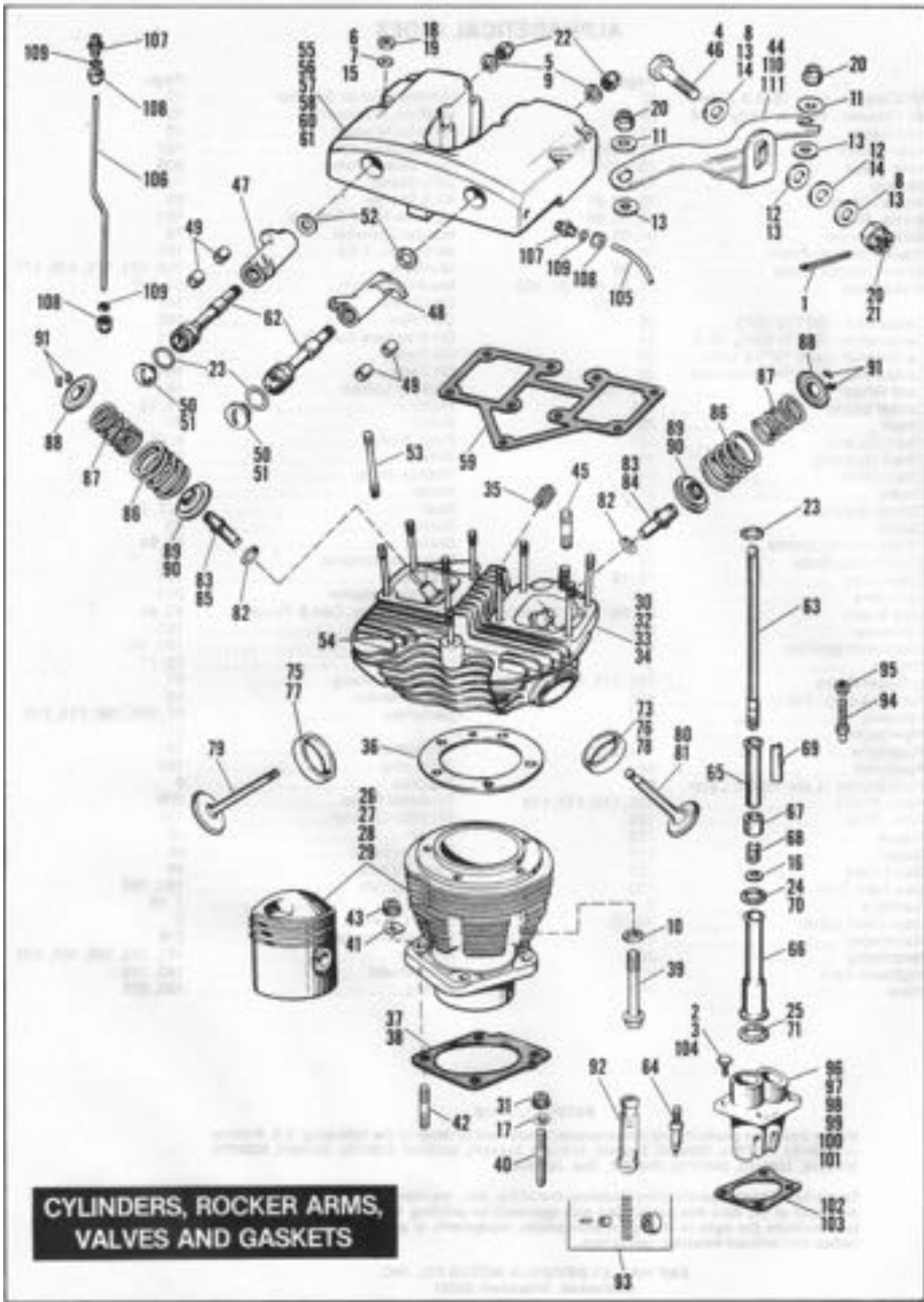
	Page		Page
Air Cleaner - Late 1978 & Later . . .	37	Ignition Circuit Breaker	47
Air Cleaner - 1971 to Early 1978 . . .	39	Ignition, Electronic	43
Alternator	41	Ignition Module	43
Axle - Front	101, 103, 105	Indicator Lamps	187
Axle - Rear	107, 109	Instrument Panel	209
Battery	179	Jiffy Stand	125
Brake - Front	79, 89, 91	Kick Starter	55
Brake - Rear	93, 95, 99	License Plate Bracket	151
Brake Caliper	81, 85, 87	Master Cylinder	79
Brake Control - Front	79	Mirror Kit - FXS	187
Brake Control - Rear	93, 95	Mufflers	189, 171, 173, 175, 177
Brake, Disc	81, 85, 89, 101, 103	Neutral Switch	57, 217
	107, 109	Oil Cooler	187
Carburetor - 1971 to 1975	35	Oil Filter	185
Carburetor - 1976 to Early 1978 . . .	31	Oil Pressure Switch	211
Carburetor - Late 1978 & Later	25	Oil Pump	23
Carburetor - High Performance	29	Oil Tank	183
Cast Wheel	103, 109	Parking Lamps	191
Center Stand	125	Pistons	11, 13
Chain	75	Points	47
Chain Guard	147	Push Rods	5, 71
Chain Housing	153	Rims	101, 107
Chain Oiler	163	Rocker Arms	5
Choke	37, 39	Rotor	43
Circuit Breaker	213	Seal	127, 129
Clutch	71	Sensor	43
Clutch Hand Control	23	Shifter	57, 61
Connecting Rods	13	Shock Absorbers	135
Crankcase	15, 19	Sissy Bar	127
Cylinders	3, 5	Solenoid, starter	217
Disc Brake	85, 89, 103, 107, 109	Spark Cables, Coil & Plugs	43, 49
Electrical	201	Speedometer	181
Electronic Ignition	43	Spokes	101, 107
Engine	3	Sprockets	75, 77
Exhaust Pipes	169, 171, 173, 175, 177	Starter Housing	51
Fender Lamp - Front	195	Starter Motor	53
Fenders	147	Switches	57, 205, 207, 213, 215
Flywheels	13		217
Footrests	131, 133	Tachometer	181
Footshift	61	Tail Lamp	189
Foot Shifter - Late 1979 & Later . . .	57	Tappets	9
Fork - Front	113, 115, 117, 119	Terminal Plate	209
Fork - Rear	121	Throttle Control	141
Frame	121	Timer	47
Gages	211	Transmission	65
Gas Tanks	157	Tune Up Kits	49
Gas Tank Trim	159	Turn Signals	191, 193
Gaskets	5	Valves	7, 19
Gear Case Cover	19, 23	Valve Covers	3
Handlebar	137	Voltage Regulator	219
Headlamp	185	Wheels	101, 103, 105, 107, 109
Highway Bars	123	Windshield	143, 145
Horn	197	Wiring	199, 205

PATENT NOTICE

Harley-Davidson products are manufactured under one or more of the following: U.S. Patents — 2986162, 2987904, 2998809, 3118089, 3144631, 3144860, 3226994, 3229792, 3434887, 3559773, 3673359, 3680403, 3683716, 3709317, Des. 225 626.

To the best knowledge of Harley-Davidson Motor Co., Inc., the material contained herein is accurate as of the date this publication was approved for printing. Harley-Davidson Motor Co., Inc., reserves the right to change specifications, equipment, or designs at any time without notice and without incurring obligation.

AMF HARLEY-DAVIDSON MOTOR CO., INC.
Milwaukee, Wisconsin 53201

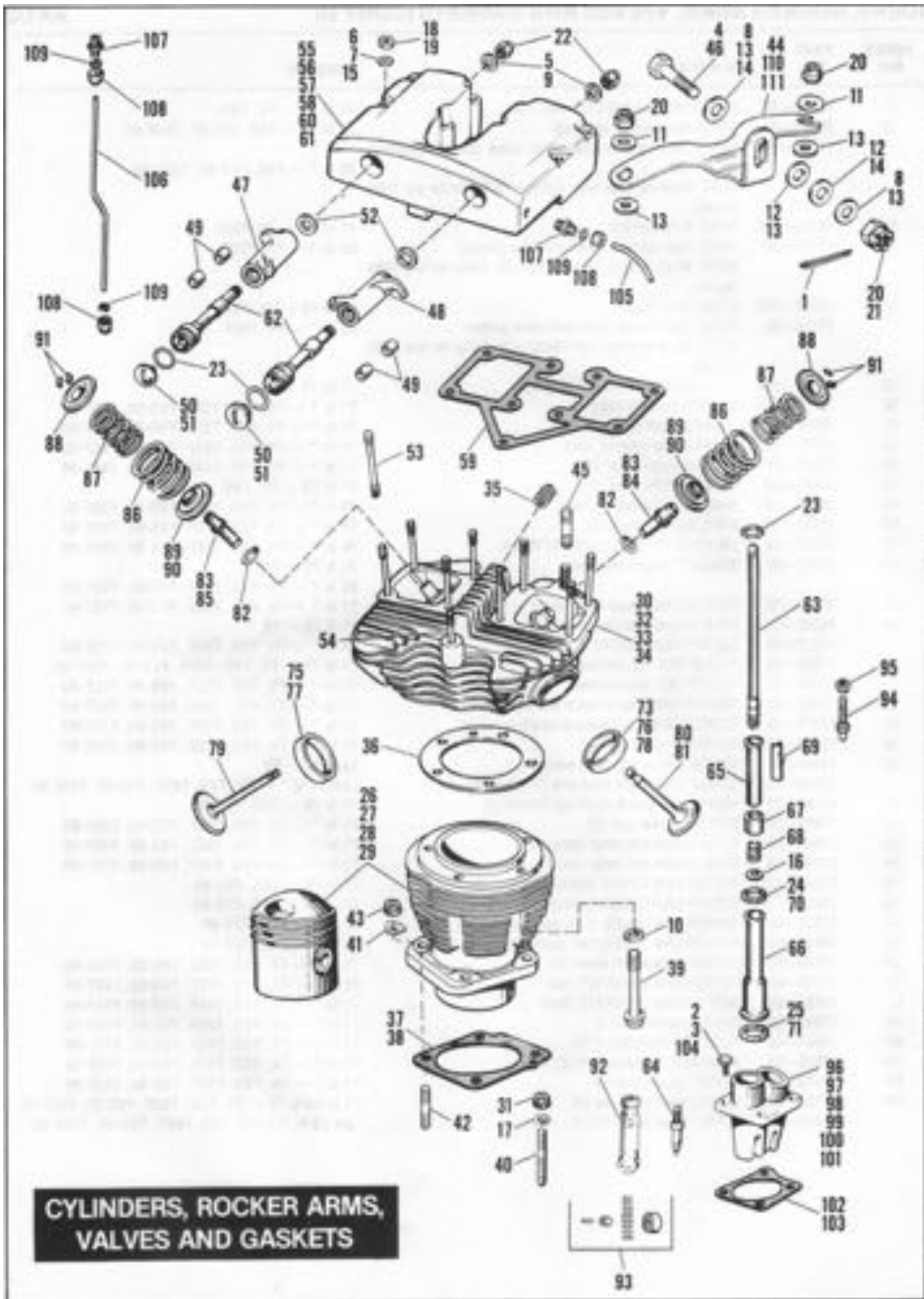


RETAIL PRICE	INDEX NO.	PART NO.	N A M E	USED ON
	1	534	COTTER PIN, 3/32 x 7/8	71 & 72 - FX
	2	906	SCREW, 1/4-20 x 7/8 12 pt. hd. (black) (4)	77 to 79 - FXS, FXS-80
	3	3770	SCREW, 1/4-20 x 7/8 12 pt. hd. (4)	Late 76 to * - FX, FXEF, FXEF-80; 80 to * - FXS, FXS-80
	4	4726	BOLT, 7/16-20 x 1-1/2 hex. hd.	73 to * - FX, FXS, FXEF, FXS-80, FXEF-80
	5	6001	WASHER, 7/16 x 3/4 x 1/32 (black) (2)	77 to 79 - FXS, FXS-80
	6	6002	WASHER, 5/16 x 5/8 x 1/16 (black) (9)	77 to Early 79 - FXS, FXS-80
	7	6316HW	WASHER, 5/16 x 5/8 x 1/16 (9)	Late 79 to * - FX, FXS, FXEF, FXS-80, FXEF-80
	8	6416	WASHER, 3/8 x 1 x 5/64 (2 - FXS)	Late 71 to 78 - FX, FXS
	9	6466W	WASHER, 7/16 x 3/4 x .025 (2)	71 to * - FX, FXEF, FXEF-80; 80 to * - FXS, FXS-80
	10	6469HW	WASHER, 7/16 x 3/4 x 1/8 (5)	71 to Early 77 - FX
	11	6495HW	WASHER, 7/16 x 15/16 x 1/8 (2)	71 to * - FX, FXS, FXEF, FXS-80, FXEF-80
	12	6497HW	WASHER, 7/16 x 1-1/8 x 1/16	Late 71 to * - FX, FXS, FXEF, FXS-80, FXEF-80
	13	6516HW	WASHER, 7/16 x 1-1/8 x 1/8 (2)	71 to * - FX, FXS, FXEF, FXS-80, FXEF-80
	14	6522HB	WASHER, 29/64 x 1-1/8 x 5/32 (2)	66 to 78 - FX, FXS
	15	6702	WASHER, 5/16 x 11/16 x 1/16 (4)	71 to Early 79 - FX
	16	6762B	WASHER, 11/16 x 59/64 x 1/32 (2)	71 to * - FX, FXS, FXEF, FXS-80, FXEF-80
	17	7039	LOCKWASHER, 7/16 (4)	71 to 78 - FX, FXS
	18	7509	NUT, 5/16-24 x 1/2 hex. (black) (9)	77 to 79 - FXS, FXS-80
	19	7753	NUT, 5/16-24 x 17/64 x 1/2 hex. (9)	71 to * - FX, FXEF, FXEF-80 80 to * - FXS, FXS-80
	20	7825	LOCKNUT, 7/16-20 x 7/16 x 5/8 hex. (2)	71 to * - FX, FXS, FXEF, FXS-80, FXEF-80
	21	7867W	CASTLE NUT, 7/16-20	71 & 72 - FX
	22	7872	ACORN NUT, 3/8-20 x 1/2 x 5/8 hex. (2)	71 to * - FX, FXS, FXEF, FXS-80, FXEF-80
	23	11101	O-RING, rocker arm shaft (2); push rod cover - upper (2) (Late 79 & later)	71 to * - FX, FXS, FXEF, FXS-80, FXEF-80
	24	11132	O-RING, push rod cover - middle (2)	Late 79 to * - FX, FXS, FXEF, FXS-80, FXEF-80
	25	11133	O-RING, push rod cover - lower (2)	Late 79 to * - FX, FXS, FXEF, FXS-80, FXEF-80
		16085-80	ENGINE ASSEMBLY, complete - High Comp. (1340 cc)	80 to * - FXS-80
		16093-80	ENGINE ASSEMBLY, complete - High Comp. (1200 cc)	80 to * - FX, FXEF
		16096-80	ENGINE ASSEMBLY, complete - High Comp. (1340 cc)	80 to * - FXEF-80
		16175-78	CONVERSION KIT, 1200 cc to 1340 cc Consists of: 16494-78 FRONT CYLINDER WITH PISTON 16495-78 REAR CYLINDER WITH PISTON 16836-78 SPACER, cylinder base stud (4) 16837-78 STUD, cylinder base (4) 16838-78 LOCKNUT, cylinder base, 7/16-20 x 3/8 x 9/16 hex. (4) 17029-66 SET OF ENGINE GASKETS 23906-78 SET OF FLYWHEELS AND SHAFTS	73 to Early 78 - FX, FXS
	26	16485-66B	FRONT CYLINDER WITH PISTON	71 to 73 - FX
		16485-74A	FRONT CYLINDER WITH PISTON	74 to * - FX, FXS, FXEF
	27	16492-66B	REAR CYLINDER WITH PISTON	71 to 73 - FX
		16492-74A	REAR CYLINDER WITH PISTON	74 to * - FX, FXS, FXEF
	28	16494-78	FRONT CYLINDER WITH PISTON	79 to * - FXS-80, FXEF-80
	29	16495-78	REAR CYLINDER WITH PISTON	79 to * - FXS-80, FXEF-80
	30	16550-77	HEAD, front cylinder (painted)	77 - FXS
		16550-78B	HEAD, front cylinder (painted)	78 & 79 - FXS, FXS-80, FXEF-80
		17101-80	HEAD, front cylinder (cast iron valve guides) (painted) (w/studs) NOTE: Must be used with 16222-79, collar for pre-1980 models	80 to * - FXS, FXS-80, FXEF-80

NOTE: Asterisk (*) indicates part is used for latest model year shown on cover.

RETAIL PRICE	INDEX NO.	PART NO.	NAME	USED ON
	31	16602-30	NUT, 7/16-20 x 1/2 x 5/8 hex. (4)	71 to 77 - FX, FXS
	32	16697-79	HEAD, rear cylinder (painted)	77 to 79 - FXS, FXS-80, FXEF-80
		17100-80	HEAD, rear cylinder (cast iron valve guides) (painted) (w/studs)	80 to * - FXS, FXS-80, FXEF-80
			NOTE: Must be used with 18222-79, Collar for pre-1980 models	
	33	16700-66C	HEAD, front cylinder	71 to 79 - FX, FXEF
		17111-80	HEAD, front cylinder (cast iron valve guides)	80 to * - FX, FXEF
			NOTE: Must be used with 18222-79, Collar for pre-1980 models	
	34	16702-66B	HEAD, rear cylinder	71 to 79 - FX, FXEF
		17110-80	HEAD, rear cylinder (cast iron valve guides)	80 to * - FX, FXEF
			NOTE: Must be used with 18222-79, Collar for pre-1980 models	
	35	16725-66A	HELI COIL INSERT, spark plug hole	71 to 74 - FX
	36	16770-66A	GASKET, cylinder head	71 to * - FX, FXS, FXEF, FXS-80, FXEF-80
	37	16776-63	GASKET, front cylinder base	71 to * - FX, FXS, FXEF, FXS-80, FXEF-80
	38	16777-63	GASKET, rear cylinder base	71 to * - FX, FXS, FXEF, FXS-80, FXEF-80
	39	16814-77	BOLT, cylinder head (5)	71 to * - FX, FXS, FXEF, FXS-80, FXEF-80
	40	16831-30	STUD, cylinder base (4)	71 to 78 - FX, FXS
	41	16836-78	SPACER, cylinder base stud	79 to * - FX, FXS, FXEF, FXS-80, FXEF-80
	42	16837-78	STUD, cylinder base (4)	79 to * - FX, FXS, FXEF, FXS-80, FXEF-80
	43	16838-78	LOCKNUT, 7/16-20 x 3/8 x 9/16 hex.	78 to * - FX, FXS, FXEF, FXS-80, FXEF-80
	44	16852-67	BRACKET, engine mounting	71 & 72 - FX; 80 to * - FX, FXS, FXEF, FXS-80, FXEF-80
	45	16864-48	STUD, cylinder head motor brace	71 to * - FX, FXS, FXEF, FXS-80, FXEF-80
	46	16865-52	BOLT, engine bracket (center)	71 & 72 - FX
		17029-66	SET OF ENGINE GASKETS	71 to * - FX, FXS, FXEF, FXS-80, FXEF-80
		17034-48	GASKET SET, top overhaul	71 to 79 - FX, FXS, FXEF, FXS-80, FXEF-80
		17034-80	GASKET SET, top overhaul	80 to * - FX, FXS, FXEF, FXS-80, FXEF-80
	47	17360-66	ROCKER ARM, rear exhaust and front intake	71 to * - FX, FXS, FXEF, FXS-80, FXEF-80
	48	17375-66	ROCKER ARM, front exhaust and rear intake	71 to * - FX, FXS, FXEF, FXS-80, FXEF-80
	49	17428-57	BUSHING, rocker arm (4)	71 to * - FX, FXS, FXEF, FXS-80, FXEF-80
	50	17448-57	SCREW, rocker arm shaft end (2)	Early 71 - FX
		17448-71A	SCREW, rocker arm shaft end (2) (chrome)	Late 71 to * - FX, FXS, FXEF, FXS-80, FXEF-80
	51	17449-77	SCREW, rocker arm shaft end (black) (2)	77 to 79 - FXS, FXS-80
	52	17452-66	SPACER, rocker arm (2)	71 to * - FX, FXS, FXEF, FXS-80, FXEF-80
	53	17506-66	STUD, rocker arm cover (long) (8)	71 to * - FX, FXS, FXEF, FXS-80, FXEF-80
	54	17508-66	STUD, rocker arm cover (short)	71 to * - FX, FXS, FXEF, FXS-80, FXEF-80
	55	17516-77B	ROCKER ARM COVER, rear (painted) (gray)	77 to 79 - FXS, FXS-80
	56	17517-77B	ROCKER ARM COVER, front (painted) (gray)	77 to 79 - FXS, FXS-80
	57	17518-80	ROCKER ARM COVER, front (painted) (black)	80 to * - FXS, FXS-80
	58	17519-80	ROCKER ARM COVER, rear (painted) (black)	80 to * - FXS, FXS-80
	59	17540-69	GASKET, rocker arm cover (2)	71 to * - FX, FXS, FXEF, FXS-80, FXEF-80
	60	17550-80	ROCKER ARM COVER KIT, rear	71 to * - FX, FXS, FXEF, FXS-80, FXEF-80
	61	17552-80	ROCKER ARM COVER KIT, front	71 to * - FX, FXS, FXEF, FXS-80, FXEF-80
	62	17611-66A	SHAFT, rocker arm (2)	71 to * - FX, FXS, FXEF, FXS-80, FXEF-80
	63	17904-66	PUSH ROD ASSEMBLY (2)	71 to * - FX, FXS, FXEF, FXS-80, FXEF-80
	64	17920-53	PUSH ROD, hydraulic unit (2)	71 to * - FX, FXS, FXEF, FXS-80, FXEF-80
	65	17935-79A	COVER, upper push rod	71 to * - FX, FXS, FXEF, FXS-80, FXEF-80
	66	17938-48B	COVER, lower push rod (2)	71 to Early 79 - FX, FXS, FXEF, FXS-80, FXEF-80
		17938-79	COVER, lower push rod (2)	Late 79 to * - FX, FXS, FXEF, FXS-80, FXEF-80

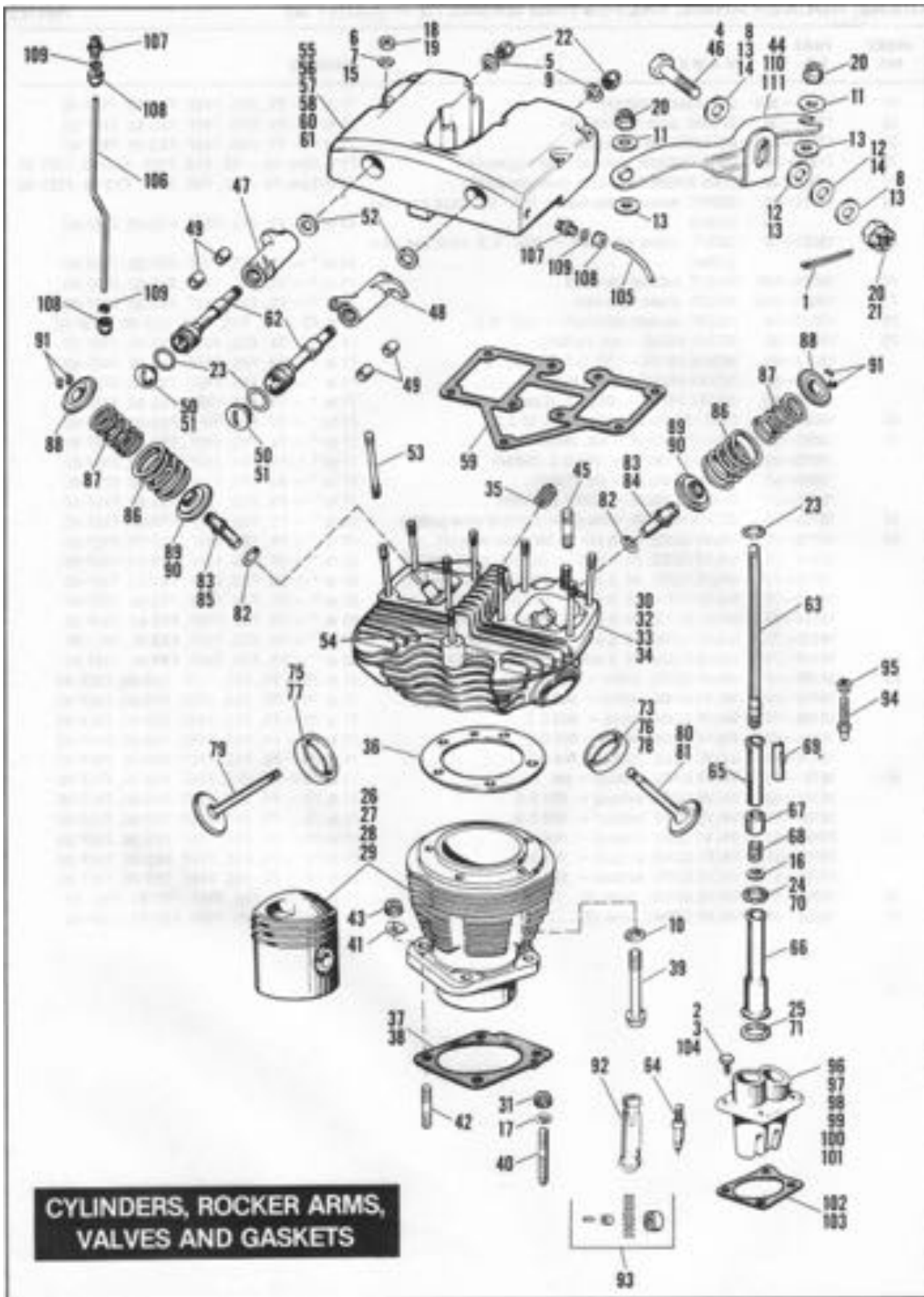
NOTE: Asterisk (*) indicates part is used for latest model year shown on cover.



**CYLINDERS, ROCKER ARMS,
VALVES AND GASKETS**

RETAIL PRICE	INDEX NO.	PART NO.	NAME	USED ON
	67	17945-368	CAP, cover spring (2)	71 to * — FX, FXS, FXEF, FXS-80, FXEF-80
	68	17947-36	SPRING, push rod cover (2)	71 to * — FX, FXS, FXEF, FXS-80, FXEF-80
	69	17950-66	RETAINER, spring cap (2)	71 to * — FX, FXS, FXEF, FXS-80, FXEF-80
	70	17955-36	CORK WASHER, push rod cover (upper) (4)	71 to Early 79 — FX, FXS, FXEF, FXS-80, FXEF-80
	71	17955-48	CORK WASHER, push rod cover (lower) (2)	71 to Early 79 — FX, FXS, FXEF, FXS-80, FXEF-80
	72	18011-78	INSERT, exhaust valve seat — .005" O.S. (cast iron valve guides)	80 to * — FX, FXS, FXEF, FXS-80, FXEF-80
	75	18021-78	INSERT, intake valve seat — .005" O.S. (cast iron valve guides)	80 to * — FX, FXS, FXEF, FXS-80, FXEF-80
	76	18055-688	INSERT, exhaust valve seat	71 to * — FX, FXS, FXEF, FXS-80, FXEF-80
	77	18056-688	INSERT, intake valve seat	71 to * — FX, FXS, FXEF, FXS-80, FXEF-80
	78	18057-68	INSERT, exhaust valve seat — .005" O.S.	71 to 79 — FX, FXS, FXEF, FXS-80, FXEF-80
	79	18075-80	INTAKE VALVE — std. (Nittan)	71 to * — FX, FXS, FXEF, FXS-80, FXEF-80
		18072-80	INTAKE VALVE — .003 O.S. (Nittan)	71 to * — FX, FXS, FXEF, FXS-80, FXEF-80
		18078-80	INTAKE VALVE — std. (Eaton)	71 to * — FX, FXS, FXEF, FXS-80, FXEF-80
		18076-80	INTAKE VALVE — .003 O.S. (Eaton)	71 to * — FX, FXS, FXEF, FXS-80, FXEF-80
	80	18082-60	EXHAUST VALVE (special — 5/32 O.S.)	71 to * — FX, FXS, FXEF, FXS-80, FXEF-80
	81	18086-80	EXHAUST VALVE — std. (Nittan)	71 to * — FX, FXS, FXEF, FXS-80, FXEF-80
		18083-80	EXHAUST VALVE — .003 O.S. (Nittan)	71 to * — FX, FXS, FXEF, FXS-80, FXEF-80
		18089-80	EXHAUST VALVE — std. (Eaton)	71 to * — FX, FXS, FXEF, FXS-80, FXEF-80
		18087-80	EXHAUST VALVE — .003 O.S. (Eaton)	71 to * — FX, FXS, FXEF, FXS-80, FXEF-80
	82	18105-79	RETAINING RING, valve guide (cast iron valve guides)	80 to * — FX, FXS, FXEF, FXS-80, FXEF-80
	83	18110-79	VALVE GUIDE, int. & exh. — std. (cast iron) (2)	80 to * — FX, FXS, FXEF, FXS-80, FXEF-80
		18111-79	VALVE GUIDE, int. & exh. — .001 O.S. (cast iron) (2)	80 to * — FX, FXS, FXEF, FXS-80, FXEF-80
		18112-79	VALVE GUIDE, int. & exh. — .002 O.S. (cast iron) (2)	80 to * — FX, FXS, FXEF, FXS-80, FXEF-80
		18113-79	VALVE GUIDE, int. & exh. — .003 O.S. (cast iron) (2)	80 to * — FX, FXS, FXEF, FXS-80, FXEF-80
		18114-79	VALVE GUIDE, int. & exh. — .004 O.S. (cast iron) (2)	80 to * — FX, FXS, FXEF, FXS-80, FXEF-80
		18115-79	VALVE GUIDE, int. & exh. — .006 O.S. (cast iron) (2)	80 to * — FX, FXS, FXEF, FXS-80, FXEF-80
		18116-79	VALVE GUIDE, int. & exh. — .008 O.S. (cast iron) (2)	80 to * — FX, FXS, FXEF, FXS-80, FXEF-80
	84	18185-48	VALVE GUIDE, intake — std.	71 to 79 — FX, FXS, FXEF, FXS-80, FXEF-80
		18165-49	VALVE GUIDE, intake — .002 O.S.	71 to 79 — FX, FXS, FXEF, FXS-80, FXEF-80
		18166-49	VALVE GUIDE, intake — .003 O.S.	71 to 79 — FX, FXS, FXEF, FXS-80, FXEF-80
		18167-49	VALVE GUIDE, intake — .004 O.S.	71 to 79 — FX, FXS, FXEF, FXS-80, FXEF-80
		18170-49	VALVE GUIDE, intake — .008 O.S.	71 to 79 — FX, FXS, FXEF, FXS-80, FXEF-80
	85	18181-48	VALVE GUIDE, exhaust — std.	71 to 79 — FX, FXS, FXEF, FXS-80, FXEF-80
		18182-48	VALVE GUIDE, exhaust — .001 O.S.	71 to 79 — FX, FXS, FXEF, FXS-80, FXEF-80
		18186-51	VALVE GUIDE, exhaust — .003 O.S.	71 to 79 — FX, FXS, FXEF, FXS-80, FXEF-80
		18187-51	VALVE GUIDE, exhaust — .004 O.S.	71 to 79 — FX, FXS, FXEF, FXS-80, FXEF-80
		18193-51	VALVE GUIDE, exhaust — .006 O.S.	71 to 79 — FX, FXS, FXEF, FXS-80, FXEF-80
		18194-51	VALVE GUIDE, exhaust — .008 O.S.	71 to 79 — FX, FXS, FXEF, FXS-80, FXEF-80
	86	18201-57A	VALVE SPRING, outer (2)	71 to * — FX, FXS, FXEF, FXS-80, FXEF-80
	87	18202-57A	VALVE SPRING, inner (2)	71 to * — FX, FXS, FXEF, FXS-80, FXEF-80

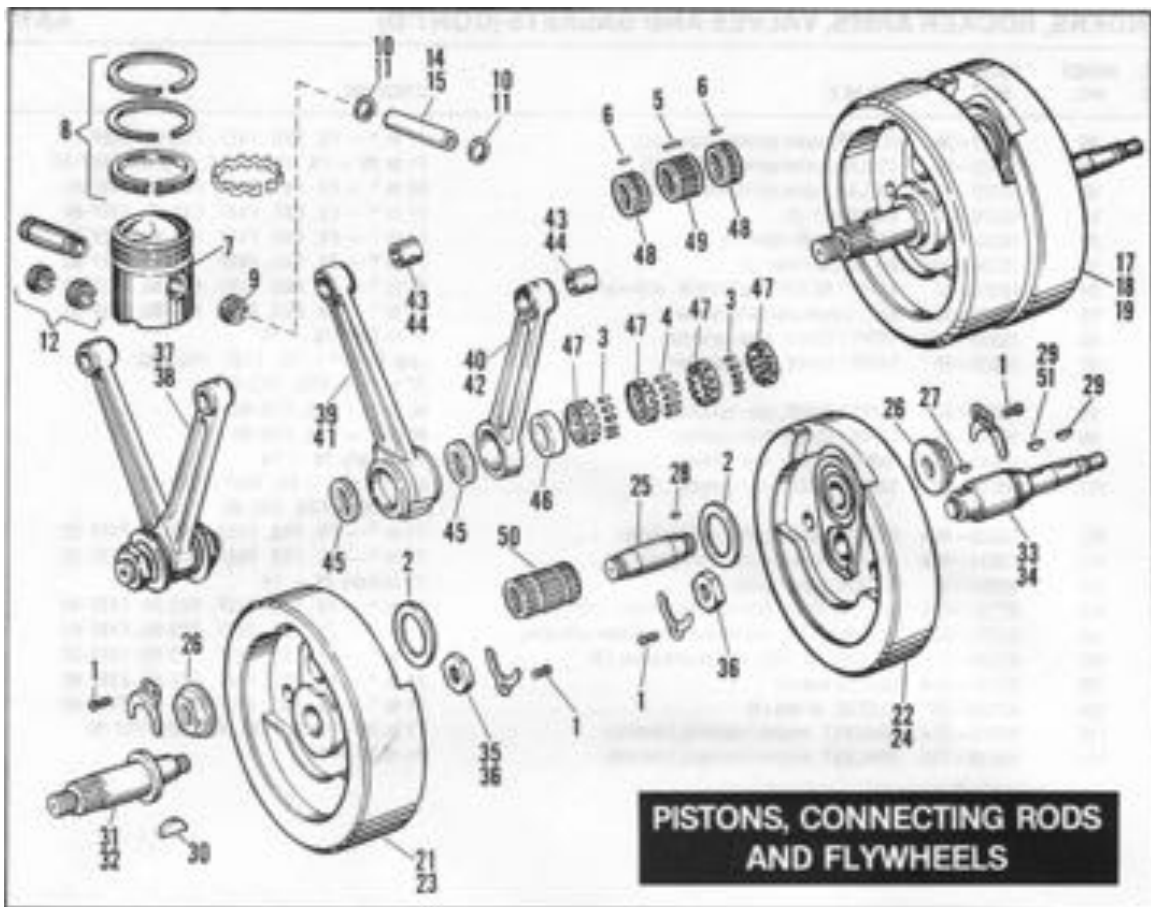
NOTE: Asterisk (*) indicates part is used for latest model year shown on cover.



**CYLINDERS, ROCKER ARMS,
VALVES AND GASKETS**

RETAIL PRICE	INDEX NO.	PART NO.	NAME	USED ON
	88	18221-36	COLLAR, valve spring (upper) (2)	71 to * - FX, FXS, FXEF, FXS-80, FXEF-80
	89	18222-48	COLLAR, valve spring (lower) (2)	71 to 79 - FX, FXS, FXEF, FXS-80, FXEF-80
	90	18222-79	COLLAR, valve spring (lower) (2)	80 to * - FX, FXS, FXEF, FXS-80, FXEF-80
	91	18228-36	VALVE KEY (2)	71 to * - FX, FXS, FXEF, FXS-80, FXEF-80
	92	18522-53A	TAPPET, with roller (2)	71 to * - FX, FXS, FXEF, FXS-80, FXEF-80
	93	18534-29A	KIT, tappet roller (2)	71 to * - FX, FXS, FXEF, FXS-80, FXEF-80
	94	18556-57	TAPPET ADJUSTING SCREW, with nut (2)	71 to * - FX, FXS, FXEF, FXS-80, FXEF-80
	95	18570-38	NUT, tappet adjusting screw	71 to * - FX, FXS, FXEF, FXS-80, FXEF-80
	96	18600-66B	TAPPET GUIDE, front cylinder	71 to Early 76 - FX
	97	18600-76	TAPPET GUIDE, front cylinder	Late 76 to * - FX, FXEF, FXEF-80. 77 to 79 - FXS, FXS-80
	98	18602-80	TAPPET GUIDE, rear cylinder	80 to * - FXS, FXS-80
	99	18603-80	TAPPET GUIDE, front cylinder	80 to * - FXS, FXS-80
	100	18610-66B	TAPPET GUIDE, rear cylinder	71 to Early 76 - FX
	101	18610-76	TAPPET GUIDE, rear cylinder	Late 76 to * - FX, FXEF, FXEF-80. 77 to 79 - FXS, FXS-80
	102	18633-48A	GASKET, tappet guide, rear cylinder	71 to * - FX, FXS, FXEF, FXS-80, FXEF-80
	103	18634-48A	GASKET, tappet guide, front cylinder	71 to * - FX, FXS, FXEF, FXS-80, FXEF-80
	104	18660-53	SCREW, tappet guide (4)	71 to Early 76 - FX
	105	62783-66A	OIL LINE TUBE, top cover cross-over (chrome)	71 to * - FX, FXS, FXEF, FXS-80, FXEF-80
	106	62785-66A	OIL LINE TUBE, crankcase to top cover (chrome)	71 to * - FX, FXS, FXEF, FXS-80, FXEF-80
	107	63526-57	OIL LINE FITTING, rocker arm cover (3)	71 to * - FX, FXS, FXEF, FXS-80, FXEF-80
	108	63527-57A	NUT, oil line (4)	71 to * - FX, FXS, FXEF, FXS-80, FXEF-80
	109	63529-57	SLEEVE, oil line (4)	71 to * - FX, FXS, FXEF, FXS-80, FXEF-80
	110	69013-77A	BRACKET, engine mounting (chrome)	77 to 79 - FXS, FXEF, FXS-80, FXEF-80
	111	69018-73A	BRACKET, engine mounting (chrome)	73 to 79 - FX

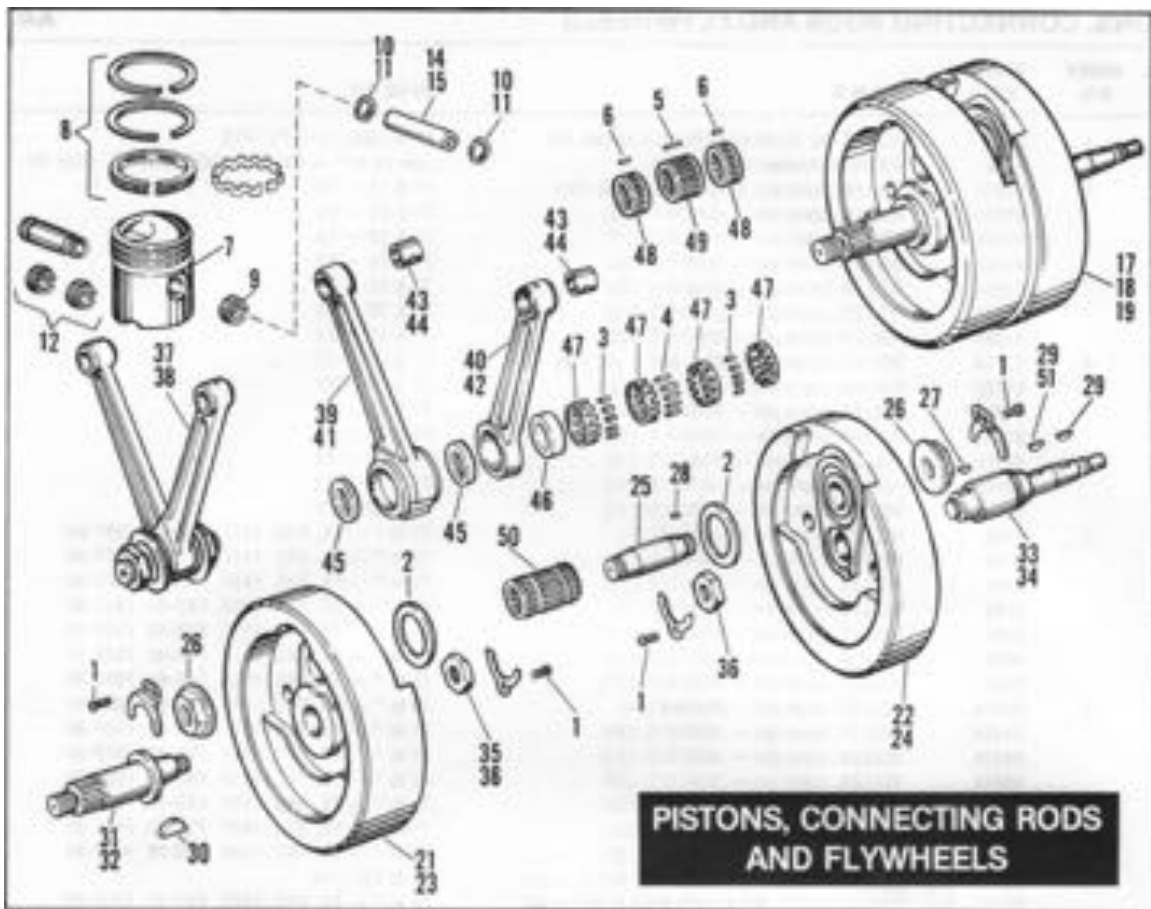
NOTE: Asterisk (*) indicates part is used for latest model year shown on cover.



**PISTONS, CONNECTING RODS
AND FLYWHEELS**

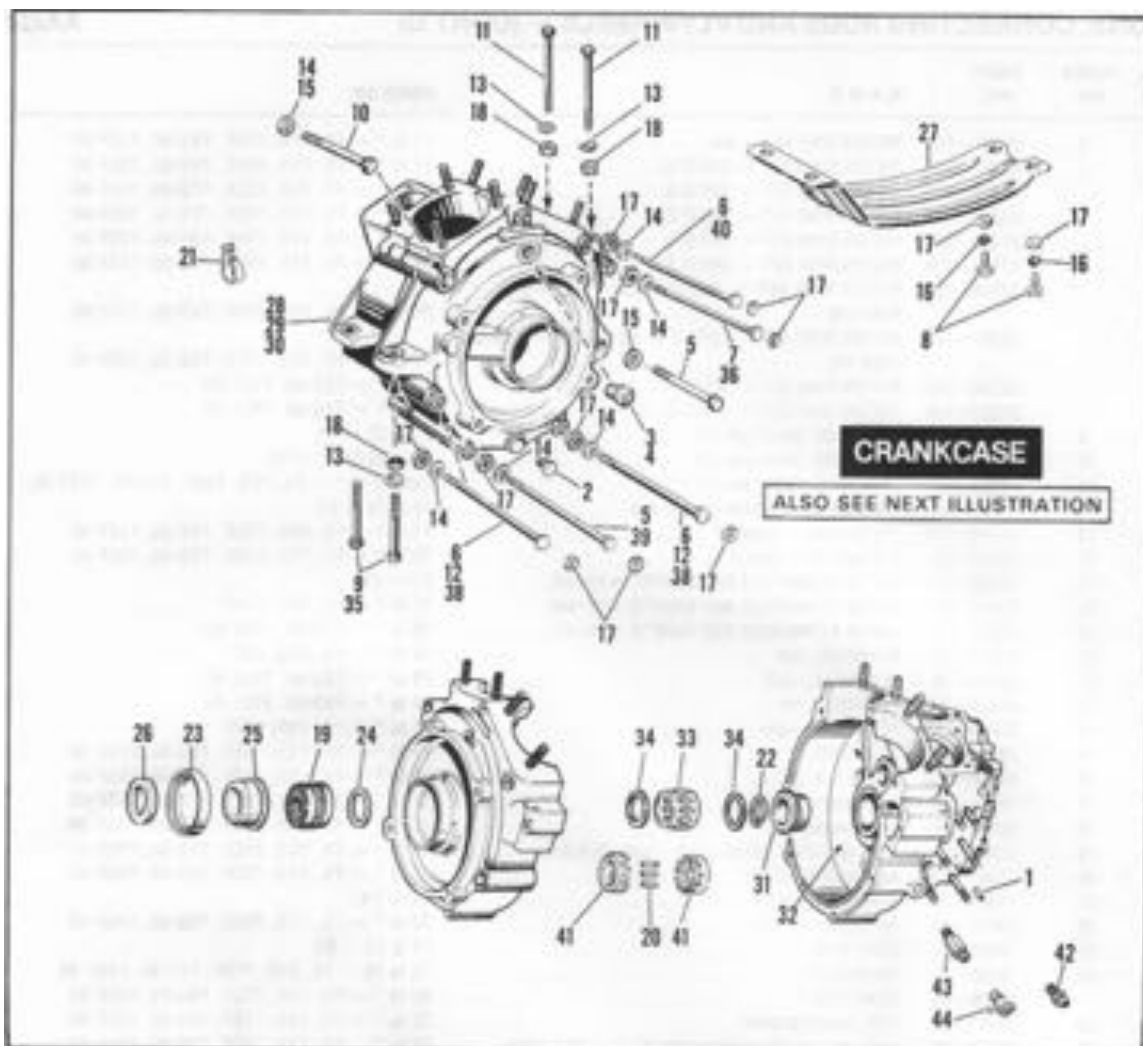
RETAIL PRICE	INDEX NO.	PART NO.	NAME	USED ON
	1	2660	SCREW, No. 10-24 x 3/8 Posidriv pan hd. (4)	71 to Early 78 — FX, FXS
	2	6506	WASHER, flywheel — bronze (2)	Late 70 to * — FX, FXS, FXEF, FXS-80, FXEF-80
	3	9101A	ROLLER, crank pin, 3/16 x .329 — std. (36)	71 & 72 — FX
		9102A	ROLLER, crank pin — .0002 O.S. (36)	71 & 72 — FX
		9103A	ROLLER, crank pin — .0004 O.S. (36)	71 & 72 — FX
		9104A	ROLLER, crank pin — .0006 O.S. (36)	71 & 72 — FX
		9105A	ROLLER, crank pin — .0008 O.S. (36)	71 & 72 — FX
		9106A	ROLLER, crank pin — .0010 O.S. (36)	71 & 72 — FX
		9108A	ROLLER, crank pin — .0002 U.S. (36)	71 & 72 — FX
	4	9171A	ROLLER, crank pin, 3/16 x .862 — std. (18)	71 & 72 — FX
		9172A	ROLLER, crank pin — .0002 O.S. (18)	71 & 72 — FX
		9173A	ROLLER, crank pin — .0004 O.S. (18)	71 & 72 — FX
		9174A	ROLLER, crank pin — .0006 O.S. (18)	71 & 72 — FX
		9175A	ROLLER, crank pin — .0008 O.S. (18)	71 & 72 — FX
		9176A	ROLLER, crank pin — .0010 O.S. (18)	71 & 72 — FX
		9179A	ROLLER, crank pin — .0002 U.S. (18)	71 & 72 — FX
	5	9186	ROLLER, crank pin — standard (17)	73 to * — FX, FXS, FXEF, FXS-80, FXEF-80
		9180	ROLLER, crank pin — .0002 O.S. (17)	73 to * — FX, FXS, FXEF, FXS-80, FXEF-80
		9181	ROLLER, crank pin — .0004 O.S. (17)	73 to * — FX, FXS, FXEF, FXS-80, FXEF-80
		9182	ROLLER, crank pin — .0006 O.S. (17)	73 to * — FX, FXS, FXEF, FXS-80, FXEF-80
		9183	ROLLER, crank pin — .0008 O.S. (17)	73 to * — FX, FXS, FXEF, FXS-80, FXEF-80
		9184	ROLLER, crank pin — .0010 O.S. (17)	73 to * — FX, FXS, FXEF, FXS-80, FXEF-80
		9185	ROLLER, crank pin — .0002 U.S. (17)	73 to * — FX, FXS, FXEF, FXS-80, FXEF-80
	6	9441A	ROLLER, crank pin — standard (34)	73 to * — FX, FXS, FXEF, FXS-80, FXEF-80
		9442A	ROLLER, crank pin — .0002 O.S. (34)	73 to * — FX, FXS, FXEF, FXS-80, FXEF-80
		9443A	ROLLER, crank pin — .0004 O.S. (34)	73 to * — FX, FXS, FXEF, FXS-80, FXEF-80
		9444A	ROLLER, crank pin — .0006 O.S. (34)	73 to * — FX, FXS, FXEF, FXS-80, FXEF-80
		9445A	ROLLER, crank pin — .0008 O.S. (34)	73 to * — FX, FXS, FXEF, FXS-80, FXEF-80
		9446A	ROLLER, crank pin — .0010 O.S. (34)	73 to * — FX, FXS, FXEF, FXS-80, FXEF-80
		9450A	ROLLER, crank pin — .0002 U.S. (34)	73 to * — FX, FXS, FXEF, FXS-80, FXEF-80
	7	22141—55B	PISTON, RINGS, PIN & LOCK RING ASSY. — std.	71 to 73 — FX
		22141—74A	PISTON, RINGS, PIN & LOCK RING ASSY. — std.	74 to * — FX, FXS, FXEF, FXS-80, FXEF-80
		22143—55C	PISTON, RINGS, PIN & LOCK RING ASSY. — .010 O.S.	71 to 73 — FX
		22143—74A	PISTON, RINGS, PIN & LOCK RING ASSY. — .010 O.S.	74 to * — FX, FXS, FXEF, FXS-80, FXEF-80
		22144—55C	PISTON, RINGS, PIN & LOCK RING ASSY. — .020 O.S.	71 to 73 — FX
		22144—74A	PISTON, RINGS, PIN & LOCK RING ASSY. — .020 O.S.	74 to * — FX, FXS, FXEF, FXS-80, FXEF-80
		22145—55C	PISTON, RINGS, PIN & LOCK RING ASSY. — .030 O.S.	71 to 73 — FX
		22145—74A	PISTON, RINGS, PIN & LOCK RING ASSY. — .030 O.S.	74 to * — FX, FXS, FXEF, FXS-80, FXEF-80
		22146—55C	PISTON, RINGS, PIN & LOCK RING ASSY. — .040 O.S.	71 to 73 — FX
		22146—74A	PISTON, RINGS, PIN & LOCK RING ASSY. — .040 O.S.	74 to * — FX, FXS, FXEF, FXS-80, FXEF-80
		22147—55C	PISTON, RINGS, PIN & LOCK RING ASSY. — .050 O.S.	71 to 73 — FX
		22147—74A	PISTON, RINGS, PIN & LOCK RING ASSY. — .050 O.S.	74 to * — FX, FXS, FXEF, FXS-80, FXEF-80
		22148—55C	PISTON, RINGS, PIN & LOCK RING ASSY. — .060 O.S.	71 to 73 — FX
		22148—74A	PISTON, RINGS, PIN & LOCK RING ASSY. — .060 O.S.	74 to * — FX, FXS, FXEF, FXS-80, FXEF-80
		22149—55C	PISTON, RINGS, PIN & LOCK RING ASSY. — .070 O.S.	71 to 73 — FX
		22149—74A	PISTON, RINGS, PIN & LOCK RING ASSY. — .070 O.S.	74 to * — FX, FXS, FXEF, FXS-80, FXEF-80
		22191—78	PISTON, RINGS, PIN & LOCK RING ASSY. — Std.	79 to * — FXS-80, FXEF-80
		22192—78	PISTON, RINGS, PIN & LOCK RING ASSY. — .010 O.S.	79 to * — FXS-80, FXEF-80
		22194—78	PISTON, RINGS, PIN & LOCK RING ASSY. — .020 O.S.	79 to * — FXS-80, FXEF-80
		22196—78	PISTON, RINGS, PIN & LOCK RING ASSY. — .030 O.S.	79 to * — FXS-80, FXEF-80

NOTE: Asterisk (*) indicates part is used for latest model year shown on cover.



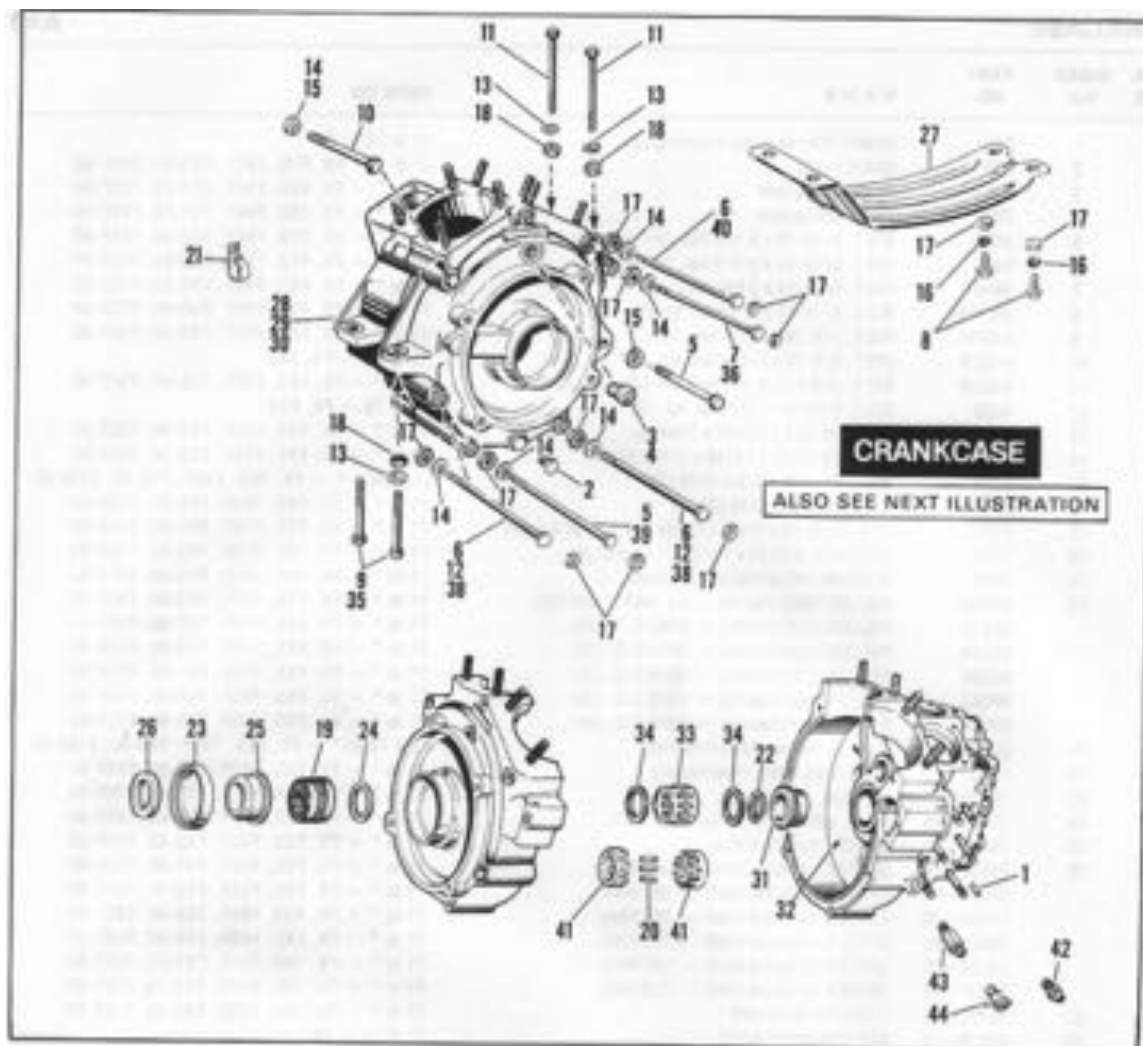
RETAIL PRICE	INDEX NO.	PART NO.	NAME	USED ON
	8	22325-55B	PISTON RING SET — std.	71 to * — FX, FXS, FXEF, FXS-80, FXEF-80
		22327-55B	PISTON RING SET — .010 O.S.	71 to * — FX, FXS, FXEF, FXS-80, FXEF-80
		22328-55B	PISTON RING SET — .020 O.S.	71 to * — FX, FXS, FXEF, FXS-80, FXEF-80
		22329-55B	PISTON RING SET — .030 O.S.	71 to * — FX, FXS, FXEF, FXS-80, FXEF-80
		22330-55B	PISTON RING SET — .040 O.S.	71 to * — FX, FXS, FXEF, FXS-80, FXEF-80
		22331-55B	PISTON RING SET — .050 O.S.	71 to * — FX, FXS, FXEF, FXS-80, FXEF-80
		22334-78A	PISTON RING SET — .060 O.S. (std. — FXS-80, FXEF-80)	71 to * — FX, FXS, FXEF, FXS-80, FXEF-80
		22335-78A	PISTON RING SET — .070 O.S. (.010 O.S. — FXS-80, FXEF-80)	71 to * — FX, FXS, FXEF, FXS-80, FXEF-80
		22336-78A	PISTON RING SET — .020 O.S.	79 to * — FXS-80, FXEF-80
		22337-78A	PISTON RING SET — .030 O.S.	79 to * — FXS-80, FXEF-80
	9	22581-32	LOCK RING, piston pin (2)	71 & 72 — FX
	10	22582-52	LOCK RING, piston pin (2)	73 to Early 77 — FX
	11	22588-78	LOCK RING, piston pin (2)	Late 77 to * — FX, FXS, FXEF, FXS-80, FXEF-80
	12	22735-32	PISTON PIN, with lock rings — std.	71 & 72 — FX
	14	22760-73A	PISTON PIN — standard	73 to * — FX, FXS, FXEF, FXS-80, FXEF-80
	15	22762-73	PISTON PIN — .004 O.S.	73 to * — FX, FXS, FXEF, FXS-80, FXEF-80
	17	23906-73	SET OF FLYWHEELS AND SHAFTS, with rods	73 — FX
	18	23906-74	SET OF FLYWHEELS AND SHAFTS, with rods	74 to * — FX, FXS, FXEF
	19	23906-78	SET OF FLYWHEELS AND SHAFTS, with rods	79 to * — FXS-80, FXEF-80
	21	23919-72	FLYWHEEL, left	72 to * — FX, FXS, FXEF
	22	23922-78	FLYWHEEL, right	79 to * — FXS-80, FXEF-80
	23	23924-78	FLYWHEEL, left	79 to * — FXS-80, FXEF-80
	24	23940-41A	FLYWHEEL, right	71 to * — FX, FXS, FXEF
	25	23961-41	CRANK PIN	71 to * — FX, FXS, FXEF, FXS-80, FXEF-80
	26	23986-54A	NUT, crank pin (2)	71 to * — FX, FXS, FXEF, FXS-80, FXEF-80
	27	23985-12	KEY, gear shaft	71 to * — FX, FXS, FXEF, FXS-80, FXEF-80
	28	23985-18	KEY, crank pin	71 to * — FX, FXS, FXEF, FXS-80, FXEF-80
	29	23985-54	KEY, gear shaft pinion (2) (1 — Late 75 & later)	71 to * — FX, FXS, FXEF, FXS-80, FXEF-80
	30	23985-56	KEY, sprocket shaft	71 to * — FX, FXS, FXEF, FXS-80, FXEF-80
	31	24001-70	SPROCKET SHAFT	71 — FX
	32	24001-72	SPROCKET SHAFT	72 to * — FX, FXS, FXEF, FXS-80, FXEF-80
	33	24006-58	GEAR SHAFT	71 & 72 — FX
	34	24006-73	GEAR SHAFT	73 to 79 — FX, FXS, FXEF, FXS-80, FXEF-80
		24006-80	GEAR SHAFT	80 to * — FX, FXS, FXEF, FXS-80, FXEF-80
	35	24017-72	NUT, sprocket shaft	72 to * — FX, FXS, FXEF, FXS-80, FXEF-80
	36	24023-36	NUT, gear and sprocket shafts (2) (1 — 72 & later)	71 to * — FX, FXS, FXEF, FXS-80, FXEF-80
	37	24281-41A	SET OF CONN. RODS WITH BEARINGS AND CRANK PIN	71 to 73 — FX
	38	24281-74A	SET OF CONN. RODS WITH BEARINGS AND CRANK PIN	74 to * — FX, FXS, FXEF, FXS-80, FXEF-80
	39	24290-74A	CONNECTING ROD, rear	74 to * — FX, FXS, FXEF, FXS-80, FXEF-80
	40	24294-74	CONNECTING ROD, front	74 to * — FX, FXS, FXEF, FXS-80, FXEF-80
	41	24298-36	CONNECTING ROD, rear	71 to 73 — FX
	42	24302-36	CONNECTING ROD, front	71 to 73 — FX
	43	24334-36	BUSHING, piston pin (2)	71 to * — FX, FXS, FXEF, FXS-80, FXEF-80
	44	24335-36	BUSHING, piston pin — .010 O.S. (2)	71 to * — FX, FXS, FXEF, FXS-80, FXEF-80
	45	24345-36A	BUSHING, rear connecting rod — lower (2)	71 to * — FX, FXS, FXEF, FXS-80, FXEF-80
	46	24356-36A	BUSHING, front connecting rod — lower	71 to * — FX, FXS, FXEF, FXS-80, FXEF-80
	47	24366-51	RETAINER, crank pin roller (4)	71 & 72 — FX
	48	24366-71	RETAINER, crank pin roller — rear rod (2)	73 to * — FX, FXS, FXEF, FXS-80, FXEF-80
	49	24367-71	RETAINER, crank pin roller — front rod	73 to * — FX, FXS, FXEF, FXS-80, FXEF-80
	50	24385-40B	SET OF ROLLERS AND RETAINERS — standard	71 to * — FX, FXS, FXEF, FXS-80, FXEF-80
		24386-40B	SET OF ROLLERS AND RETAINERS — .0002 O.S.	71 to * — FX, FXS, FXEF, FXS-80, FXEF-80
		24387-40B	SET OF ROLLERS AND RETAINERS — .0004 O.S.	71 to * — FX, FXS, FXEF, FXS-80, FXEF-80
		24388-40B	SET OF ROLLERS AND RETAINERS — .0006 O.S.	71 to * — FX, FXS, FXEF, FXS-80, FXEF-80
		24389-40B	SET OF ROLLERS AND RETAINERS — .0008 O.S.	71 to * — FX, FXS, FXEF, FXS-80, FXEF-80
		24390-40B	SET OF ROLLERS AND RETAINERS — .0010 O.S.	71 to * — FX, FXS, FXEF, FXS-80, FXEF-80
		24391-40B	SET OF ROLLERS AND RETAINERS — .0002 U.S.	71 to * — FX, FXS, FXEF, FXS-80, FXEF-80
	51	26348-15	KEY, gear shaft pinion	Late 75 to * — FX, FXS, FXEF, FXS-80, FXEF-80

NOTE: Asterisk (*) indicates part is used for latest model year shown on cover.



RETAIL PRICE	INDEX NO.	PART NO.	NAME	USED ON
	1	341	DOWEL PIN, oil pump mounting (2)	71 to 73 — FX
	2	700	DRAIN PLUG	71 to * — FX, FXS, FXEF, FXS-80, FXEF-80
	3	704	PLUG, timing hole	71 to * — FX, FXS, FXEF, FXS-80, FXEF-80
	4	720	PLUG, timing hole	71 to * — FX, FXS, FXEF, FXS-80, FXEF-80
	5	3427	BOLT, 5/16-18 x 3-1/2 hex. hd. (2)	79 to * — FX, FXS, FXEF, FXS-80, FXEF-80
	6	3428	BOLT, 5/16-24 x 5-1/2 hex. hd. (5)	79 to * — FX, FXS, FXEF, FXS-80, FXEF-80
	7	3430	BOLT, 5/16-24 x 5 hex. hd.	79 to * — FX, FXS, FXEF, FXS-80, FXEF-80
	8	3974HW	BOLT, 5/16-24 x 3/4 hex. hd. (2)	71 to * — FX, FXS, FXEF, FXS-80, FXEF-80
	9	4401W	BOLT, 3/8-24 x 2-3/4 hex. hd. (2)	80 to * — FX, FXS, FXEF, FXS-80, FXEF-80
	10	4432W	BOLT, 3/8-16 x 3-1/4 hex. hd. (2)	71 to 78 — FX, FXS
	11	4435W	BOLT, 3/8-24 x 3-1/2 hex. hd. (2)	71 to * — FX, FXS, FXEF, FXS-80, FXEF-80
	12	4806	BOLT, 5/16-24 x 1/2 hex. hd. (3)	71 to 78 — FX, FXS
	13	6400HB	WASHER, 3/8 x 13/16 x 7/64 (4)	71 to * — FX, FXS, FXEF, FXS-80, FXEF-80
	14	6702	WASHER, 7/16 x 11/16 x 1/16 (14)	79 to * — FX, FXS, FXEF, FXS-80, FXEF-80
	15	6774	WASHER, 3/8 x 5/8 x 1/16 (2)	Late 74 to * — FX, FXS, FXEF, FXS-80, FXEF-80
	16	7041	LOCKWASHER, 5/16 (2)	71 to * — FX, FXS, FXEF, FXS-80, FXEF-80
	17	7753	NUT, 5/16-24 x 1/4 x 1/2 hex. (12) (8-80 & later)	71 to * — FX, FXS, FXEF, FXS-80, FXEF-80
	18	7775	LOCKNUT, 3/8-24 x 7/16 x 9/16 hex. (4)	71 to * — FX, FXS, FXEF, FXS-80, FXEF-80
	19	9028	BEARING, left crankcase (Timken)	71 to * — FX, FXS, FXEF, FXS-80, FXEF-80
	20	9220A	ROLLER, right bearing, 1/4 x .440 — std. (28)	71 to * — FX, FXS, FXEF, FXS-80, FXEF-80
		9221A	ROLLER, right bearing — .0002 O.S. (28)	71 to * — FX, FXS, FXEF, FXS-80, FXEF-80
		9222A	ROLLER, right bearing — .0004 O.S. (28)	71 to * — FX, FXS, FXEF, FXS-80, FXEF-80
		9223A	ROLLER, right bearing — .0006 O.S. (28)	71 to * — FX, FXS, FXEF, FXS-80, FXEF-80
		9224A	ROLLER, right bearing — .0008 O.S. (28)	71 to * — FX, FXS, FXEF, FXS-80, FXEF-80
		9225A	ROLLER, right bearing — .0010 O.S. (28)	71 to * — FX, FXS, FXEF, FXS-80, FXEF-80
	21	9979	CLIP, air cleaner hose (breather)	Late 78 to * — FX, FXS, FXEF, FXS-80, FXEF-80
	22	11007	RETAINING RING, right bearing	71 to * — FX, FXS, FXEF, FXS-80, FXEF-80
	23	12026A	OIL SEAL	71 to * — FX, FXS, FXEF, FXS-80, FXEF-80
	24	23741—55	SHIM, sprocket shaft bearing (.003)	71 to * — FX, FXS, FXEF, FXS-80, FXEF-80
	25	24002—70	SPACER, sprocket shaft	71 to * — FX, FXS, FXEF, FXS-80, FXEF-80
	26	24032—70	SPACER, sprocket shaft — .060 thick	71 to * — FX, FXS, FXEF, FXS-80, FXEF-80
		24033—70	SPACER, sprocket shaft — .090 thick	71 to * — FX, FXS, FXEF, FXS-80, FXEF-80
		24034—70	SPACER, sprocket shaft — .120 thick	71 to * — FX, FXS, FXEF, FXS-80, FXEF-80
		24035—70	SPACER, sprocket shaft — .150 thick	71 to * — FX, FXS, FXEF, FXS-80, FXEF-80
		24036—70	SPACER, sprocket shaft — .180 thick	71 to * — FX, FXS, FXEF, FXS-80, FXEF-80
		24037—70	SPACER, sprocket shaft — .210 thick	71 to * — FX, FXS, FXEF, FXS-80, FXEF-80
	27	24490—36	CRANKCASE GUARD	71 to * — FX, FXS, FXEF, FXS-80, FXEF-80
	28	24519—70	SET OF CRANKCASES	71 & 72 — FX
	29	24519—73B	SET OF CRANKCASES	73 to * — FX, FXS, FXEF, FXS-80, FXEF-80
	30	24524—77B	SET OF CRANKCASES (black)	77 to * — FXS, FXS-80
			Includes besides crankcases:	
		9028	ROLLER BEARING, left crankcase	
		9058	NEEDLE BEARING, cam gear	
	31	24599—58A	BUSHING, right crankcase — standard	71 to * — FX, FXS, FXEF, FXS-80, FXEF-80
		24600—58A	BUSHING, right crankcase — .002 O.S.	71 to * — FX, FXS, FXEF, FXS-80, FXEF-80
		24601—58A	BUSHING, right crankcase — .005 O.S.	71 to * — FX, FXS, FXEF, FXS-80, FXEF-80
		24602—58	BUSHING, right crankcase — .031 O.S.	71 to * — FX, FXS, FXEF, FXS-80, FXEF-80
	32	24608—54	SCREW, crankcase gear side bushing (2)	71 to 78 — FX, FXS
	33	24650—58	RIGHT BEARING — std.	71 to * — FX, FXS, FXEF, FXS-80, FXEF-80
		24651—58	RIGHT BEARING — .0002 O.S.	71 to * — FX, FXS, FXEF, FXS-80, FXEF-80
		24652—58	RIGHT BEARING — .0004 O.S.	71 to * — FX, FXS, FXEF, FXS-80, FXEF-80
		24653—58	RIGHT BEARING — .0006 O.S.	71 to * — FX, FXS, FXEF, FXS-80, FXEF-80
		24654—58	RIGHT BEARING — .0008 O.S.	71 to * — FX, FXS, FXEF, FXS-80, FXEF-80
		24655—58	RIGHT BEARING — .0010 O.S.	71 to * — FX, FXS, FXEF, FXS-80, FXEF-80
	34	24692—58	WASHER, right bearing (2)	71 to * — FX, FXS, FXEF, FXS-80, FXEF-80
	35	24791—38	BOLT, front engine mounting (2)	71 & 72 — FX
	36	24805—30	CRANKCASE STUD, 5/16-24 x 5	41 to 78 — FX, FXS
	38	24809—30	CRANKCASE STUD, 5/16 x 6 (3)	71 to 75 — FX

NOTE: Asterisk (*) indicates part is used for latest model year shown on cover.



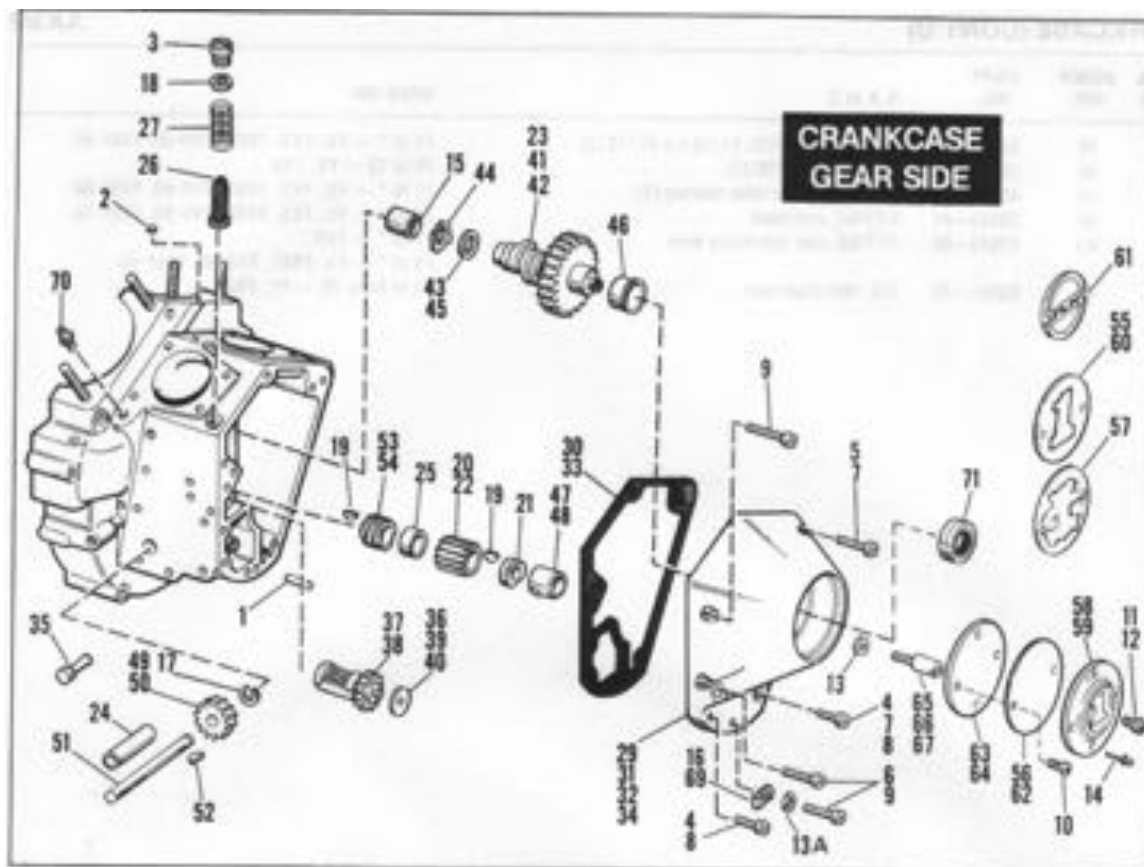
CRANKCASE (CONT'D)

AA3/2

RETAIL PRICE	INDEX NO.	PART NO.	NAME	USED ON
	39	24815-40	CRANKCASE STUD, 11/32 x 5-27/32 (2)	71 to * - FX, FXS, FXEF, FXS-80, FXEF-80
	40	26390-68	CRANKCASE STUD (2)	76 to 78 - FX, FXS
	41	43578-35	RETAINER, right roller bearing (2)	71 to * - FX, FXS, FXEF, FXS-80, FXEF-80
	42	63533-41	FITTING, vent hose	71 to * - FX, FXS, FXEF, FXS-80, FXEF-80
	43	63533-65	FITTING, oiler return line hose	77 to * - FXS; 79 to * - FX, FXEF, FXS-80, FXEF-80
	44	63541-70	TEE, rear chain oiler	71 to Early 78 - FX, FXS

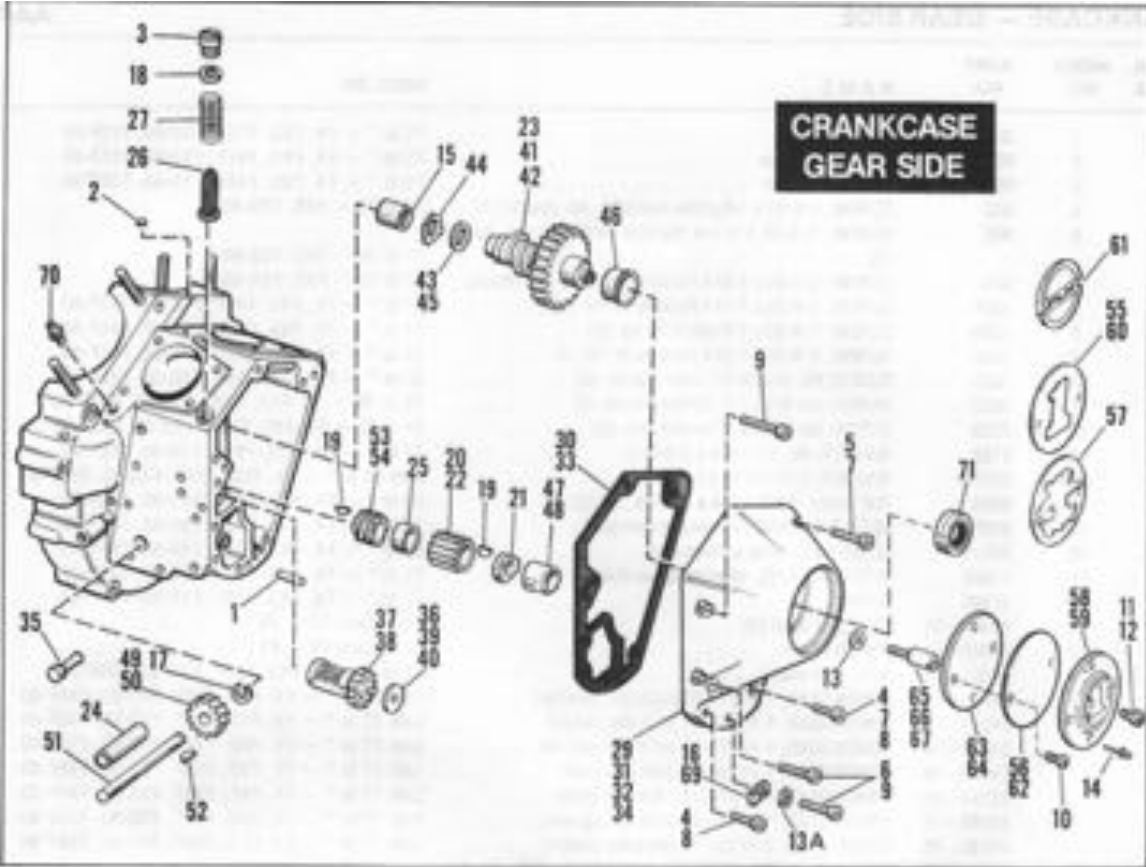


NOTE: Asterisk (*) indicates part is used for latest model year shown on cover.



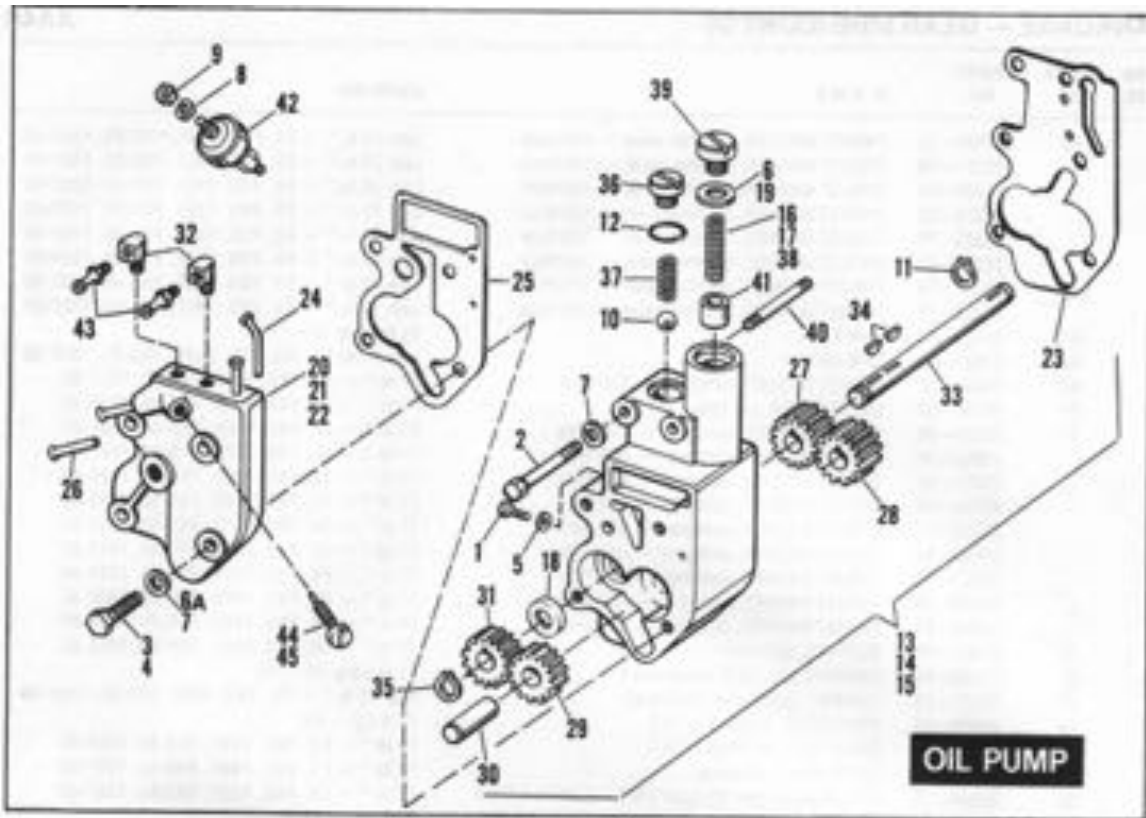
RETAIL PRICE	INDEX NO.	PART NO.	NAME	USED ON
	1	358	DOWEL PIN (2)	71 to * — FX, FXS, FXEF, FXS-80, FXEF-80
	2	653	PLUG, crankcase	71 to * — FX, FXS, FXEF, FXS-80, FXEF-80
	3	657	PLUG, oil screen	71 to * — FX, FXS, FXEF, FXS-80, FXEF-80
	4	902	SCREW, 1/4-20 x 1 Pozidriv oval ctk. hd. (black) (2)	77 to 79 — FXS, FXS-80
	5	903	SCREW, 1/4-20 x 1-1/4 Pozidriv oval ctk. hd. (black) (3)	77 to 79 — FXS, FXS-80
	6	905	SCREW, 1/4-20 x 1-3/4 Pozidriv oval ctk. hd. (black)	77 to 79 — FXS, FXS-80
	7	1301	SCREW, 1/4-20 x 1-1/4 Pozidriv fl. hd. (3)	71 to * — FX, FXS, FXEF, FXS-80, FXEF-80
	8	1305	SCREW, 1/4-20 x 1 Pozidriv fl. hd. (2)	71 to * — FX, FXS, FXEF, FXS-80, FXEF-80
	9	1308	SCREW, 1/4-20 x 1-3/4 Pozidriv fl. hd. (3)	71 to * — FX, FXS, FXEF, FXS-80, FXEF-80
	10	1601	SCREW, No. 8-32 x 1/2 ctk. flat hd. (2)	80 to * — FX, FXS, FXEF, FXS-80, FXEF-80
	11	2622	SCREW, No. 8-32 x 7/16 Pozidriv hd. (2)	73 to 79 — FX, FXS, FXEF, FXS-80, FXEF-80
	12	2628	SCREW, No. 8-32 x 7/16 ctk. hd. (2)	71 & 72 — FX, FXS, FXEF, FXS-80, FXEF-80
	13	6192	WASHER, No. 8 x 7/16 x 3/64 (2)	71 to * — FX, FXS, FXEF, FXS-80, FXEF-80
	13A	6242W	WASHER, 1/4 x 9/16 x 1/32	Late 80 to * — FX, FXS, FXEF, FXS-80, FXEF-80
	14	8699	POP RIVET, 3/16 x 3/8 x 3/8 dia. hd. (2)	80 to * — FX, FXS, FXEF, FXS-80, FXEF-80
	15	9058	NEEDLE BEARING, crankcase cam gear	71 to * — FX, FXS, FXEF, FXS-80, FXEF-80
	16	9965W	CLAMP, electronic ignition wire	80 to * — FX, FXS, FXEF, FXS-80, FXEF-80
	17	11002	RETAINING RING, oil pump drive shaft	71 to * — FX, FXS, FXEF, FXS-80, FXEF-80
	18	11105	O-RING	71 to * — FX, FXS, FXEF, FXS-80, FXEF-80
	19	23985—54	KEY, gear shaft (2)	71 to Early 75 — FX
	20	24010—54	PINION GEAR	71 to Early 77 — FX
	21	24023—54	NUT, gear shaft	71 to * — FX, FXS, FXEF, FXS-80, FXEF-80
	22	24040—78	PINION GEAR, 1.4751—56 pitch dia. (orange)	Late 77 to * — FX, FXS, FXEF, FXS-80, FXEF-80
		24041—78	PINION GEAR, 1.4745—51 pitch dia. (white)	Late 77 to * — FX, FXS, FXEF, FXS-80, FXEF-80
		24042—78	PINION GEAR, 1.4737—45 pitch dia. (yellow)	Late 77 to * — FX, FXS, FXEF, FXS-80, FXEF-80
		24043—78	PINION GEAR, 1.4729—37 pitch dia. (red)	Late 77 to * — FX, FXS, FXEF, FXS-80, FXEF-80
		24044—78	PINION GEAR, 1.4721—29 pitch dia. (blue)	Late 77 to * — FX, FXS, FXEF, FXS-80, FXEF-80
		24045—78	PINION GEAR, 1.4715—21 pitch dia. (green)	Late 77 to * — FX, FXS, FXEF, FXS-80, FXEF-80
		24046—78	PINION GEAR, 1.4710—15 pitch dia. (black)	Late 77 to * — FX, FXS, FXEF, FXS-80, FXEF-80
	23	24582—77	CAM AND PINION GEAR SET (use 24313—77A, Breather Valve)	71 to * — FX, FXS, FXEF, FXS-80, FXEF-80
	24	24641—36	BUSHING, oil pump shaft	71 to * — FX, FXS, FXEF, FXS-80, FXEF-80
	25	24703—54	SPACER, gear shaft pinion	71 to * — FX, FXS, FXEF, FXS-80, FXEF-80
	26	24981—70	OIL SCREEN, crankcase	71 to * — FX, FXS, FXEF, FXS-80, FXEF-80
	27	24982—70	OIL SCREEN SPRING	71 to * — FX, FXS, FXEF, FXS-80, FXEF-80
	29	25216—73A	GEAR COVER KIT	73 to 79 — FX, FXEF, FXEF-80
			Consists of:	
		25256—80	GEAR COVER	
		25262—80	SPACER	
	30	25225—70A	GASKET, gear cover	71 to * — FX, FXS, FXEF, FXS-80, FXEF-80
	31	25255—77A	GEAR COVER KIT (painted)	77 to 79 — FXS, FXS-80
			Includes besides painted cover:	
		25262—80	SPACER	
	32	25256—80	GEAR COVER (painted)	80 to * — FXS, FXS-80
	33	25257—80	GASKET, gear cover	80 to * — FXS, FXS-80
	34	25258—80	GEAR COVER	80 to * — FX, FXEF, FXEF-80
	35	25260—78	FITTING, crankcase to air cleaner hose	Late 76 to * — FX, FXS, FXEF, FXS-80, FXEF-80
	36	25313—50	THRUST WASHER, breather valve — .115 thick	71 to Early 79 — FX, FXS, FXEF, FXS-80, FXEF-80
	37	25313—73	BREATHER VALVE, with gear	71 to Early 77 — FX
	38	25313—77A	BREATHER VALVE, with gear	Late 77 to * — FX, FXS, FXEF, FXS-80, FXEF-80
	39	25314—50	THRUST WASHER, breather valve — .120 thick	71 to Early 79 — FX, FXS, FXEF, FXS-80, FXEF-80
		25315—50	THRUST WASHER, breather valve — .125 thick	71 to Early 79 — FX, FXS, FXEF, FXS-80, FXEF-80
		25316—52	THRUST WASHER, breather valve — .110 thick	71 to Early 79 — FX, FXS, FXEF, FXS-80, FXEF-80

NOTE: Asterisk (*) indicates part is used for latest model year shown on cover.



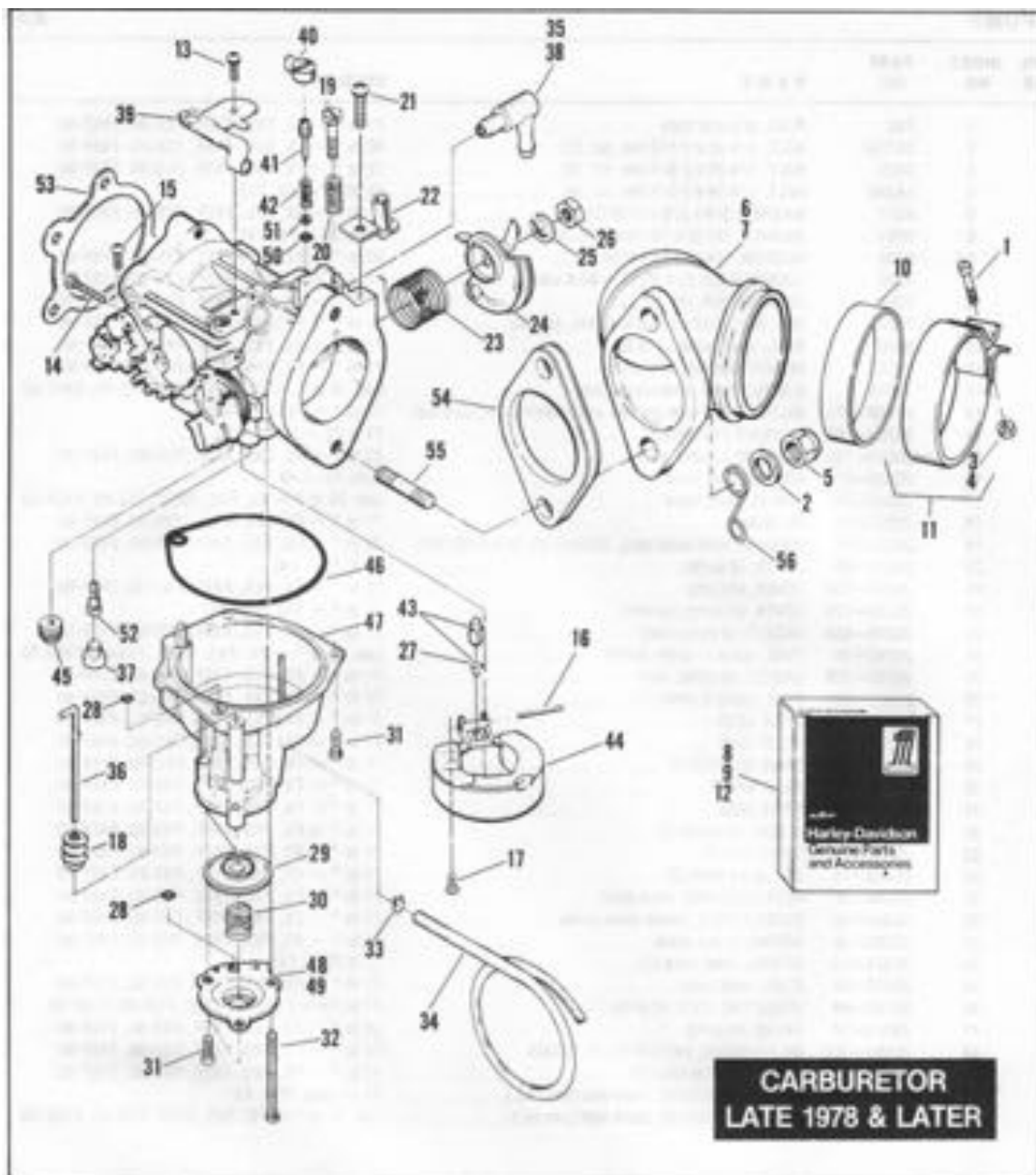
RETAIL PRICE	INDEX NO.	PART NO.	NAME	USED ON
	40	25320-79	THRUST WASHER, breather valve — .110 thick	Late 79 to * — FX, FXS, FXEF, FXS-80, FXEF-80
		25321-79	THRUST WASHER, breather valve — .115 thick	Late 79 to * — FX, FXS, FXEF, FXS-80, FXEF-80
		25322-79	THRUST WASHER, breather valve — .120 thick	Late 79 to * — FX, FXS, FXEF, FXS-80, FXEF-80
		25323-79	THRUST WASHER, breather valve — .125 thick	Late 79 to * — FX, FXS, FXEF, FXS-80, FXEF-80
		25325-79	THRUST WASHER, breather valve — .130 thick	Late 79 to * — FX, FXS, FXEF, FXS-80, FXEF-80
		25326-79	THRUST WASHER, breather valve — .135 thick	Late 79 to * — FX, FXS, FXEF, FXS-80, FXEF-80
		25327-79	THRUST WASHER, breather valve — .140 thick	Late 79 to * — FX, FXS, FXEF, FXS-80, FXEF-80
		25328-79	THRUST WASHER, breather valve — .145 thick	Late 79 to * — FX, FXS, FXEF, FXS-80, FXEF-80
	41	25523-70	CAM GEAR	71 to Early 77 — FX
	42	25523-77	CAM GEAR	Late 77 to * — FX, FXS, FXEF, FXS-80, FXEF-80
	43	25550-36	THRUST WASHER, cam gear — .050 thick	71 to * — FX, FXS, FXEF, FXS-80, FXEF-80
	44	25550-57	LOCKWASHER, cam gear	71 to * — FX, FXS, FXEF, FXS-80, FXEF-80
	45	25551-36	THRUST WASHER, cam gear — .055 thick	71 to * — FX, FXS, FXEF, FXS-80, FXEF-80
		25552-36	THRUST WASHER, cam gear — .060 thick	71 to * — FX, FXS, FXEF, FXS-80, FXEF-80
		25553-36	THRUST WASHER, cam gear — .065 thick	71 to * — FX, FXS, FXEF, FXS-80, FXEF-80
		25554-36	THRUST WASHER, cam gear — .070 thick	71 to * — FX, FXS, FXEF, FXS-80, FXEF-80
		25555-36	THRUST WASHER, cam gear — .075 thick	71 to * — FX, FXS, FXEF, FXS-80, FXEF-80
		25556-79	THRUST WASHER, cam gear — .080 thick	71 to * — FX, FXS, FXEF, FXS-80, FXEF-80
		25557-79	THRUST WASHER, cam gear — .085 thick	71 to * — FX, FXS, FXEF, FXS-80, FXEF-80
		25558-79	THRUST WASHER, cam gear — .090 thick	71 to * — FX, FXS, FXEF, FXS-80, FXEF-80
		25559-79	THRUST WASHER, cam gear — .095 thick	71 to * — FX, FXS, FXEF, FXS-80, FXEF-80
	46	25581-70	BUSHING, gear cover	71 to * — FX, FXS, FXEF, FXS-80, FXEF-80
	47	25582-54	BUSHING, gear cover pinion shaft	71 to Early 73 — FX
	48	25582-73	BUSHING, gear cover pinion shaft	Late 73 to * — FX, FXS, FXEF, FXS-80, FXEF-80
	49	26345-39	DRIVE GEAR, oil pump — 25 T.	71 & 72 — FX
	50	26345-73	DRIVE GEAR, oil pump — 24 T.	73 to * — FX, FXS, FXEF, FXS-80, FXEF-80
	51	26346-70	DRIVE SHAFT, oil pump	71 to * — FX, FXS, FXEF, FXS-80, FXEF-80
	52	26348-15	KEY, oil pump gear (2) (gear shaft — Late 75 & later)	71 to * — FX, FXS, FXEF, FXS-80, FXEF-80
	53	26349-54	DRIVE GEAR, oil pump	71 & 72 — FX
	54	26349-73	DRIVE GEAR, oil pump	73 to * — FX, FXS, FXEF, FXS-80, FXEF-80
	55	32503-77	TIMER COVER, "No. 1"	77 to 79 — FXS, FXS-80
	56	32504-80	TIMER COVER	80 to * — FX, FXS, FXEF, FXS-80, FXEF-80
	57	32508-77	TIMER COVER, "Gold Eagle"	Late 77 to 79 — FX, FXS, FXEF
	58	32511-78	TIMER COVER, "No. 1" (polished)	80 to * — FX, FXEF, FXEF-80
	59	32511-80	TIMER COVER, "No. 1" (black)	80 to * — FXS, FXS-80
	60	32513-77	TIMER COVER, "No. 1"	Late 77 to 79 — FX, FXS, FXEF, FXS-80, FXEF-80
	61	32584-71	LABEL, timer cover	71 to 79 — FX, FXS, FXEF, FXS-80, FXEF-80
	62	32588-70A	COVER, timer	71 to 79 — FX, FXS, FXEF, FXS-80, FXEF-80
	63	32591-70	GASKET, ignition timer cover	71 to 79 — FX, FXS, FXEF, FXS-80, FXEF-80
	64	32591-80	GASKET, ignition timer cover	80 to * — FX, FXS, FXEF, FXS-80, FXEF-80
	65	32601-78	STUD, ignition timer cover (2)	Late 72 to 79 — FX, FXS, FXEF, FXS-80, FXEF-80
	66	32601-80	STUD, ignition timer cover (2)	80 to * — FX, FXS, FXEF, FXS-80, FXEF-80
	67	32608-70	STUD, ignition timer cover (2)	71 to Early 72 — FX
	69	56809-52	CLAMP, circuit breaker wire	71 to 79 — FX, FXS, FXEF, FXS-80, FXEF-80
	70	63526-57	FITTING, rocker arm oil line	71 to * — FX, FXS, FXEF, FXS-80, FXEF-80
	71	83162-51	OIL SEAL	71 to * — FX, FXS, FXEF, FXS-80, FXEF-80

NOTE: Asterisk (*) indicates part is used for latest model year shown on cover.



RETAIL PRICE	INDEX NO.	PART NO.	NAME	USED ON
	1	700	PLUG, oil pump body	71 to * - FX, FXS, FXEF, FXS-80, FXEF-80
	2	2872W	BOLT, 1/4-20 x 1-1/2 hex. hd. (2)	80 to * - FX, FXS, FXEF, FXS-80, FXEF-80
	3	3429	BOLT, 1/4-20 x 2-3/4 hex. hd. (4)	79 to * - FX, FXS, FXEF, FXS-80, FXEF-80
	4	5430W	BOLT, 1/4-24 x 2-3/4 hex. hd. (4)	71 to 78 - FX, FXS
	5	6377	WASHER, 3/8 x 5/8 x 1/32 (2)	71 to * - FX, FXS, FXEF, FXS-80, FXEF-80
	6	6581	WASHER, 17/32 x 15/16 x .025 (brass)	71 to 78 - FX, FXS
	6A	6703	WASHER, 1/4 x 5/8 x 11/16 (4)	80 to * - FX, FXS, FXEF, FXS-80, FXEF-80
	7	7036	LOCKWASHER, 1/4 (7) (3 - 80 & later)	71 to * - FX, FXS, FXEF, FXS-80, FXEF-80
	8	7069	LOCKWASHER, No. 10	71 to * - FX, FXS, FXEF, FXS-80, FXEF-80
	9	7834	NUT, No. 10-32 x 1/8 x 5/16 hex. (brass)	71 to * - FX, FXS, FXEF, FXS-80, FXEF-80
	10	8866	BALL, check valve, 3/8 dia.	71 to * - FX, FXS, FXEF, FXS-80, FXEF-80
	11	11002	RETAINING RING, oil pump	71 to * - FX, FXS, FXEF, FXS-80, FXEF-80
	12	11105	O-RING, check valve cover screw	Late 78 to * - FX, FXS, FXEF, FXS-80, FXEF-80
	13	26199-77A	OIL PUMP KIT, with gaskets and retaining ring (painted)	77 to * - FXS, FXS-80
	14	26200-68B	OIL PUMP ASSEMBLY	71 & 72 - FX
	15	26200-73B	OIL PUMP ASSEMBLY	73 to * - FX, FXS, FXEF, FXS-80, FXEF-80
	16	26206-73	SPRING, relief valve	Early 73 - FX
	17	26207-73	SPRING, relief valve	Late 73 to * - FX, FXS, FXEF, FXS-80, FXEF-80
	18	26227-58	OIL SEAL	71 to * - FX, FXS, FXEF, FXS-80, FXEF-80
	19	26231-78	WASHER, relief valve plug, 33/64 x 15/16 x 1/32 (left)	79 to * - FX, FXS, FXEF, FXS-80, FXEF-80
	20	26232-68	COVER, oil pump	71 & 72 - FX
	21	26234-73A	COVER, oil pump	73 to * - FX, FXS, FXEF, FXS-80, FXEF-80
	22	26239-77A	COVER, oil pump (painted)	77 to * - FXS, FXS-80
	23	26245-68A	GASKET, oil pump body	71 to * - FX, FXS, FXEF, FXS-80, FXEF-80
	24	26247-78	TUBE, cover - upper (bent)	Late 78 to * - FX, FXS, FXEF, FXS-80, FXEF-80
	25	26258-68B	GASKET, oil pump cover	71 to * - FX, FXS, FXEF, FXS-80, FXEF-80
	26	26265-68A	TUBE, pump & cover (2)	71 to * - FX, FXS, FXEF, FXS-80, FXEF-80
	27	26315-68A	DRIVE GEAR	71 to * - FX, FXS, FXEF, FXS-80, FXEF-80
	28	26317-68A	IDLER GEAR	71 to * - FX, FXS, FXEF, FXS-80, FXEF-80
	29	26326-62A	DRIVE IDLER GEAR	71 to * - FX, FXS, FXEF, FXS-80, FXEF-80
	30	26327-68	IDLER SHAFT	71 to * - FX, FXS, FXEF, FXS-80, FXEF-80
	31	26328-74	DRIVE GEAR	71 to * - FX, FXS, FXEF, FXS-80, FXEF-80
	32	26338-68	ELBOW, oil pump (2)	71 to * - FX, FXS, FXEF, FXS-80, FXEF-80
	33	26346-70	DRIVE SHAFT	71 to * - FX, FXS, FXEF, FXS-80, FXEF-80
	34	26348-15	KEY, drive shaft (2)	71 to * - FX, FXS, FXEF, FXS-80, FXEF-80
	35	26348-36	RETAINING RING, drive shaft	71 to * - FX, FXS, FXEF, FXS-80, FXEF-80
	36	26362-36	COVER SCREW, check valve screw	71 to * - FX, FXS, FXEF, FXS-80, FXEF-80
	37	26363-36	SPRING, check valve	71 to * - FX, FXS, FXEF, FXS-80, FXEF-80
	38	26374-54	SPRING, relief valve (2)	71 & 72 - FX
	39	26377-68	PLUG, relief valve	71 to * - FX, FXS, FXEF, FXS-80, FXEF-80
	40	26390-68	MOUNTING STUD, oil pump (2)	71 to 79 - FX, FXS, FXEF, FXS-80, FXEF-80
	41	26400-54	VALVE, oil pump	71 to * - FX, FXS, FXEF, FXS-80, FXEF-80
	42	26551-39C	OIL PRESSURE SWITCH AND FITTINGS	71 to * - FX, FXS, FXEF, FXS-80, FXEF-80
	43	63533-41	FITTING, oil line hose (2)	71 to * - FX, FXS, FXEF, FXS-80, FXEF-80
	44	63610-70	ADJUSTING SCREW, chain oiler (hex. hd.)	71 to Early 72 - FX
	45	63614-72	ADJUSTING SCREW, chain oiler (stef hd.)	Late 72 to * - FX, FXS, FXEF, FXS-80, FXEF-80

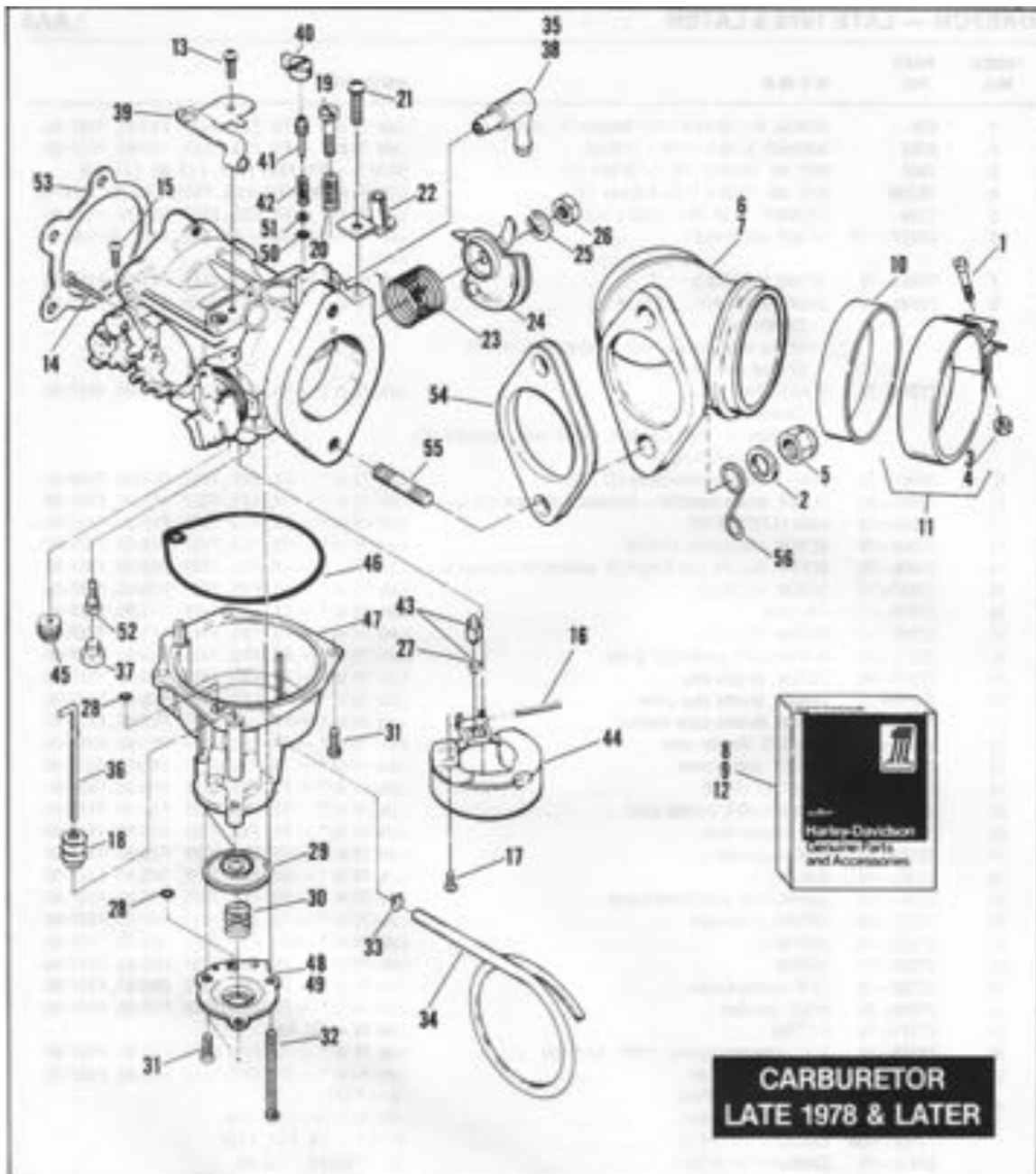
NOTE: Asterisk (*) indicates part is used for latest model year shown on cover.



**CARBURETOR
LATE 1978 & LATER**

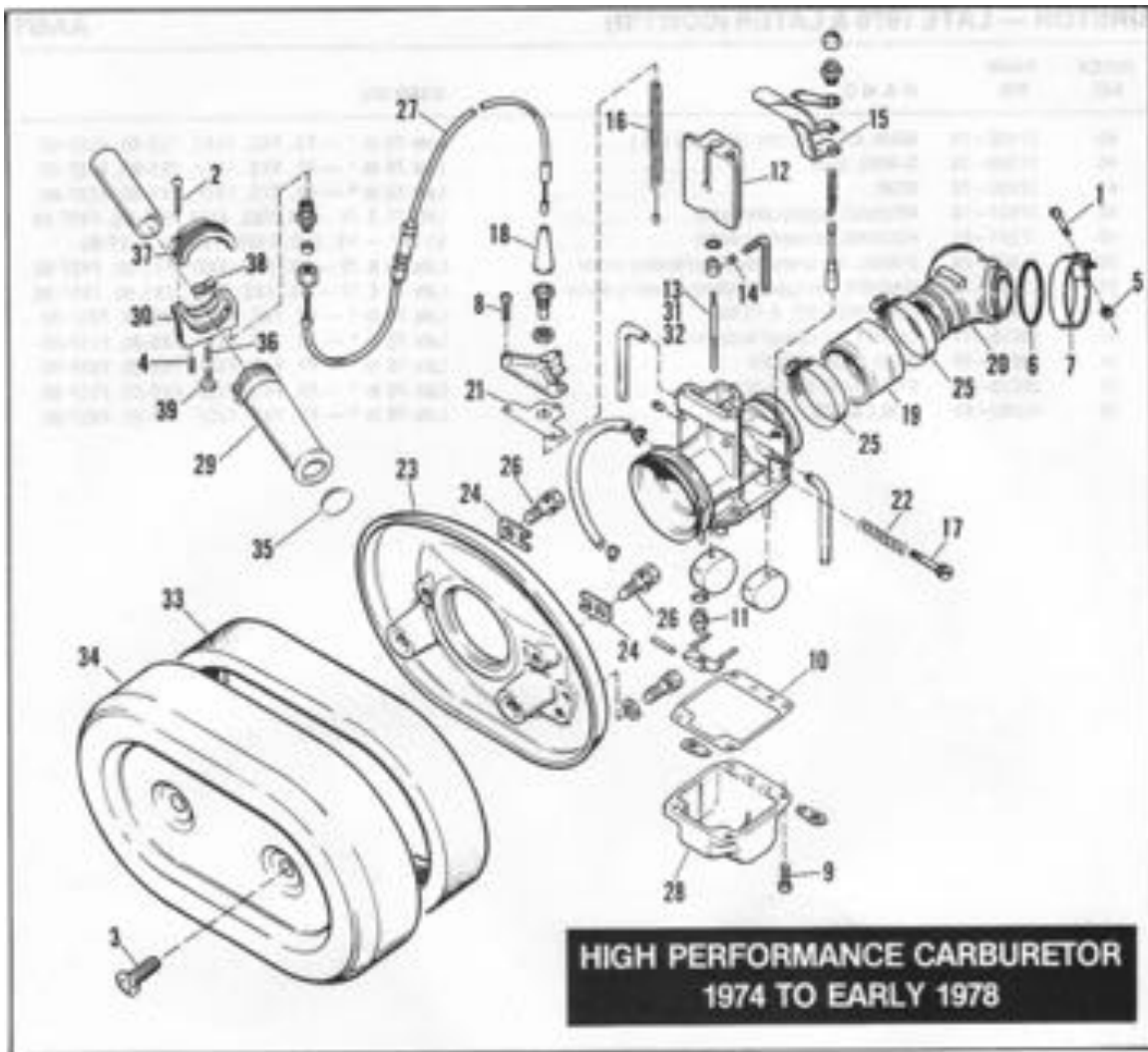
RETAIL PRICE	INDEX NO.	PART NO.	NAME	USED ON
	1	930	SCREW, No. 10-24 x 1-1/4 Pozidriv fl. hd. (2)	Late 78 to * — FX, FXS, FXEF, FXS-80, FXEF-80
	2	6702	WASHER, 5/16 x 11/16 x 1/16 (2)	Late 78 to * — FX, FXS, FXEF, FXS-80, FXEF-80
	3	7504	NUT, No. 10-24 x 1/8 x 5/16 hex. (2)	80 to * — FX, FXS, FXEF, FXS-80, FXEF-80
	4	7620W	NUT, No. 10-24 x 1/8 x 3/8 hex. (2)	Late 78 & 79 — FX, FXS, FXEF, FXS-80, FXEF-80
	5	7739	LOCKNUT, 5/16-18 x 11/32 x 1/2 hex. (2)	Late 78 to * — FX, FXS, FXEF, FXS-80, FXEF-80
	6	27021-71A	INTAKE MANIFOLD	Late 78 to Early 80 — FX, FXS, FXEF, FXS-80, FXEF-80
	7	27021-78	INTAKE MANIFOLD	Late 80 to * — FX, FXS, FXEF, FXS-80, FXEF-80
	8	27045-78	CHOKE SHAFT KIT Consists of: Choke lever, choke shaft, washer, clip, screws (2) and choke disc.	Late 78 to * — FX, FXS, FXEF, FXS-80, FXEF-80
	9	27046-78	PLASTIC PARTS KIT Consists of: Springs (3), clips (2), cam, choke lever, washers (2), ball, and wire ring.	Late 78 to * — FX, FXS, FXEF, FXS-80, FXEF-80
	10	27062-78	SEAL, intake manifold clamp (2)	Late 78 to * — FX, FXS, FXEF, FXS-80, FXEF-80
	11	27063-80	CLAMP, intake manifold — includes screw and nut (2)	Late 78 to * — FX, FXS, FXEF, FXS-80, FXEF-80
	12	27095-78	HIGH ALTITUDE KIT	Late 78 to * — FX, FXS, FXEF, FXS-80, FXEF-80
	13	27304-78	SCREW, choke cable bracket	Late 78 to * — FX, FXS, FXEF, FXS-80, FXEF-80
	14	27306-76	SCREW, fast idle cam & high alt. accelerator pump stop	Late 78 to * — FX, FXS, FXEF, FXS-80, FXEF-80
	15	27307-76	SCREW, wire block	Late 78 to * — FX, FXS, FXEF, FXS-80, FXEF-80
	16	27308-76	PIN, float	Late 78 to * — FX, FXS, FXEF, FXS-80, FXEF-80
	17	27309-76	SCREW, float pin	Late 78 to * — FX, FXS, FXEF, FXS-80, FXEF-80
	18	27311-76	RUBBER CAP, accelerator pump	Late 78 to * — FX, FXS, FXEF, FXS-80, FXEF-80
	19	27313-76	SCREW, throttle stop	Late 78 to * — FX, FXS, FXEF, FXS-80, FXEF-80
	20	27314-76	SPRING, throttle stop screw	Late 78 to * — FX, FXS, FXEF, FXS-80, FXEF-80
	21	27320-76	SCREW, throttle cable bracket	Late 78 to * — FX, FXS, FXEF, FXS-80, FXEF-80
	22	27321-76	BRACKET, throttle cable	Late 78 to * — FX, FXS, FXEF, FXS-80, FXEF-80
	23	27322-76	SPRING, throttle lever	Late 78 to * — FX, FXS, FXEF, FXS-80, FXEF-80
	24	27326-78	THROTTLE LEVER	Late 78 to * — FX, FXS, FXEF, FXS-80, FXEF-80
	25	27333-76	LOCKWASHER, throttle lever	Late 78 to * — FX, FXS, FXEF, FXS-80, FXEF-80
	26	27335-76	NUT, throttle lever	Late 78 to * — FX, FXS, FXEF, FXS-80, FXEF-80
	27	27338-76	CLIP, float valve	Late 78 to * — FX, FXS, FXEF, FXS-80, FXEF-80
	28	27360-76	O-RING (2)	Late 78 to * — FX, FXS, FXEF, FXS-80, FXEF-80
	29	27361-76	DIAPHRAGM, accelerator pump	Late 78 to * — FX, FXS, FXEF, FXS-80, FXEF-80
	30	27362-76	SPRING, diaphragm	Late 78 to * — FX, FXS, FXEF, FXS-80, FXEF-80
	31	27366-76	SCREW (5)	Late 78 to * — FX, FXS, FXEF, FXS-80, FXEF-80
	32	27367-76	SCREW	Late 78 to * — FX, FXS, FXEF, FXS-80, FXEF-80
	33	27368-76	CLIP, overflow hose	Late 78 to * — FX, FXS, FXEF, FXS-80, FXEF-80
	34	27369-76	HOSE, overflow	Late 78 to * — FX, FXS, FXEF, FXS-80, FXEF-80
	35	27371-76	FITTING	Late 78 — FX, FXS
	36	27373-76	ROD, accelerator pump (8608), 59.5 mm	Late 78 to * — FX, FXS, FXEF, FXS-80, FXEF-80
	37	27385-76	PLUG, low speed jet	Late 78 to * — FX, FXS, FXEF, FXS-80, FXEF-80
		27466-78A	CARBURETOR (B78A)	79 — FXEF
		27468-78A	CARBURETOR (B81B)	Late 78 & 79 — FX, FXS
		27468-80A	CARBURETOR (B81D)	80 to * — FX, FXS, FXEF
		27472-79	CARBURETOR (B79A)	79 — FXS-80, FXEF-80
		27472-80A	CARBURETOR (B79C)	80 to * — FXS-80, FXEF-80
	38	27594-76	FITTING	79 to * — FX, FXS, FXEF, FXS-80, FXEF-80
	39	27882-78	BRACKET, choke cable	Late 78 to * — FX, FXS, FXEF, FXS-80, FXEF-80
	40	27883-78	CAP, low speed mixture screw	Late 78 & 79 — FX, FXS, FXEF, FXS-80, FXEF-80
	41	27884-78	SCREW, low speed mixture	Late 78 & 79 — FX, FXS, FXEF, FXS-80, FXEF-80
	42	27885-78	SPRING, low speed mixture adjusting screw	Late 78 & 79 — FX, FXS, FXEF, FXS-80, FXEF-80
	43	27886-78	FLOAT VALVE, with clip	Late 78 to * — FX, FXS, FXEF, FXS-80, FXEF-80
	44	27887-78	FLOAT	Late 78 to * — FX, FXS, FXEF, FXS-80, FXEF-80

NOTE: Asterisk (*) indicates part is used for latest model year shown on cover.

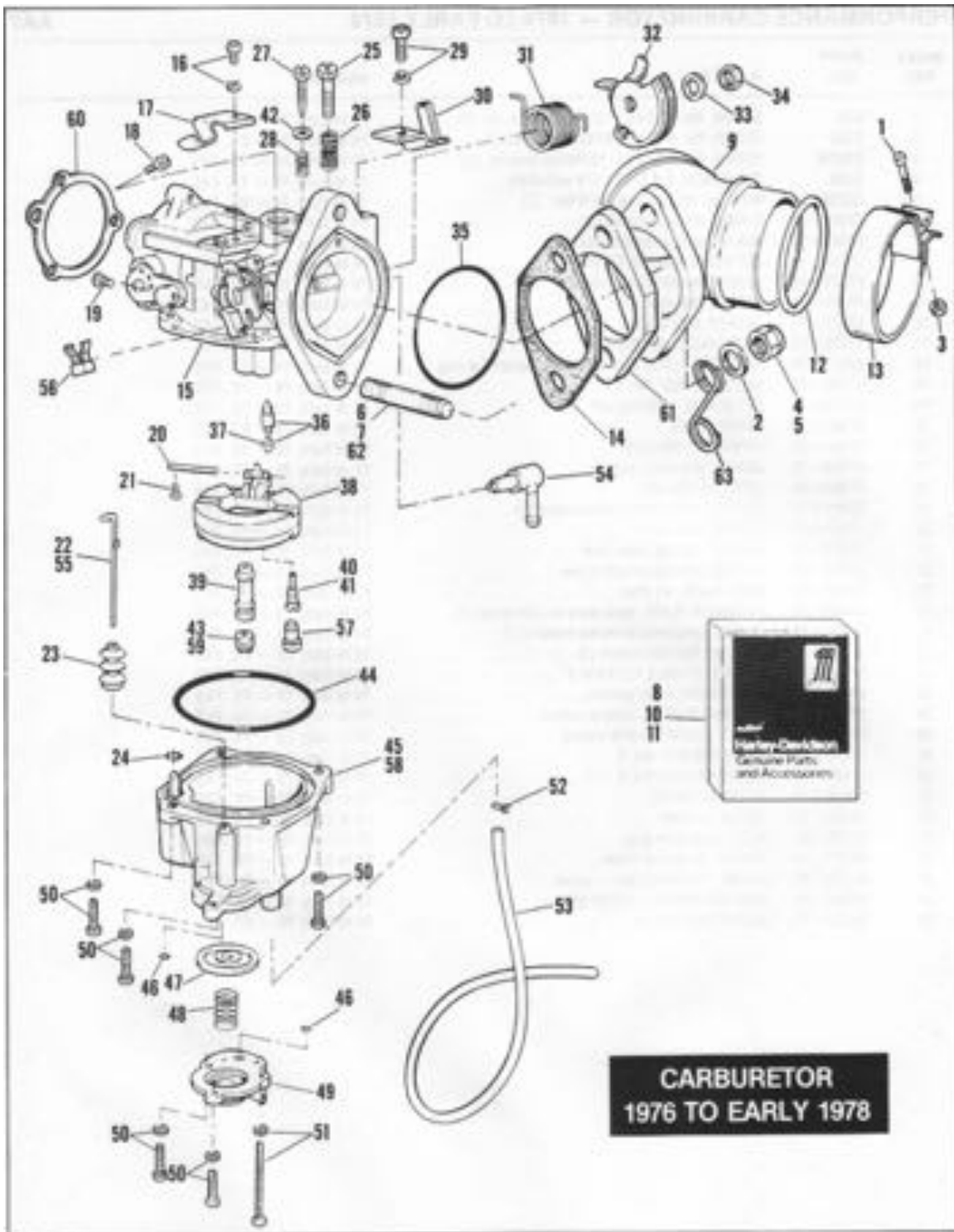


RETAIL PRICE	INDEX NO.	PART NO.	NAME	USED ON
	45	27888-78	MAIN JET, 1.80 mm. (FX, FXS Std.)	Late 78 to * — FX, FXS, FXEF, FXS-80, FXEF-80
	46	27889-78	O-RING, bowl	Late 78 to * — FX, FXS, FXEF, FXS-80, FXEF-80
	47	27890-78	BOWL	Late 78 to * — FX, FXS, FXEF, FXS-80, FXEF-80
	48	27891-78	HOUSING, accelerator pump	Late 78 & 79 — FX, FXS, FXEF, FXS-80, FXEF-80
	49	27891-80	HOUSING, accelerator pump	80 to * — FX, FXS, FXEF, FXS-80, FXEF-80
	50	27892-78	O-RING, low speed mixture adjusting screw	Late 78 & 79 — FX, FXS, FXEF, FXS-80, FXEF-80
	51	27893-78	WASHER, low speed mixture adjusting screw	Late 78 & 79 — FX, FXS, FXEF, FXS-80, FXEF-80
	52	27897-78	LOW SPEED JET, 0.72 mm.	Late 78 to * — FX, FXS, FXEF, FXS-80, FXEF-80
	53	29058-77	GASKET, air cleaner to carburetor	Late 78 to * — FX, FXS, FXEF, FXS-80, FXEF-80
	54	29250-78	INSULATING SPACER	Late 78 to * — FX, FXS, FXEF, FXS-80, FXEF-80
	55	29253-78	STUD, 5/16-18 x 1-3/4 (2)	Late 78 to * — FX, FXS, FXEF, FXS-80, FXEF-80
	56	45092-66	CABLE GUIDE	Late 78 to * — FX, FXS, FXEF, FXS-80, FXEF-80

NOTE: Asterisk (*) indicates part is used for latest model year shown on cover.

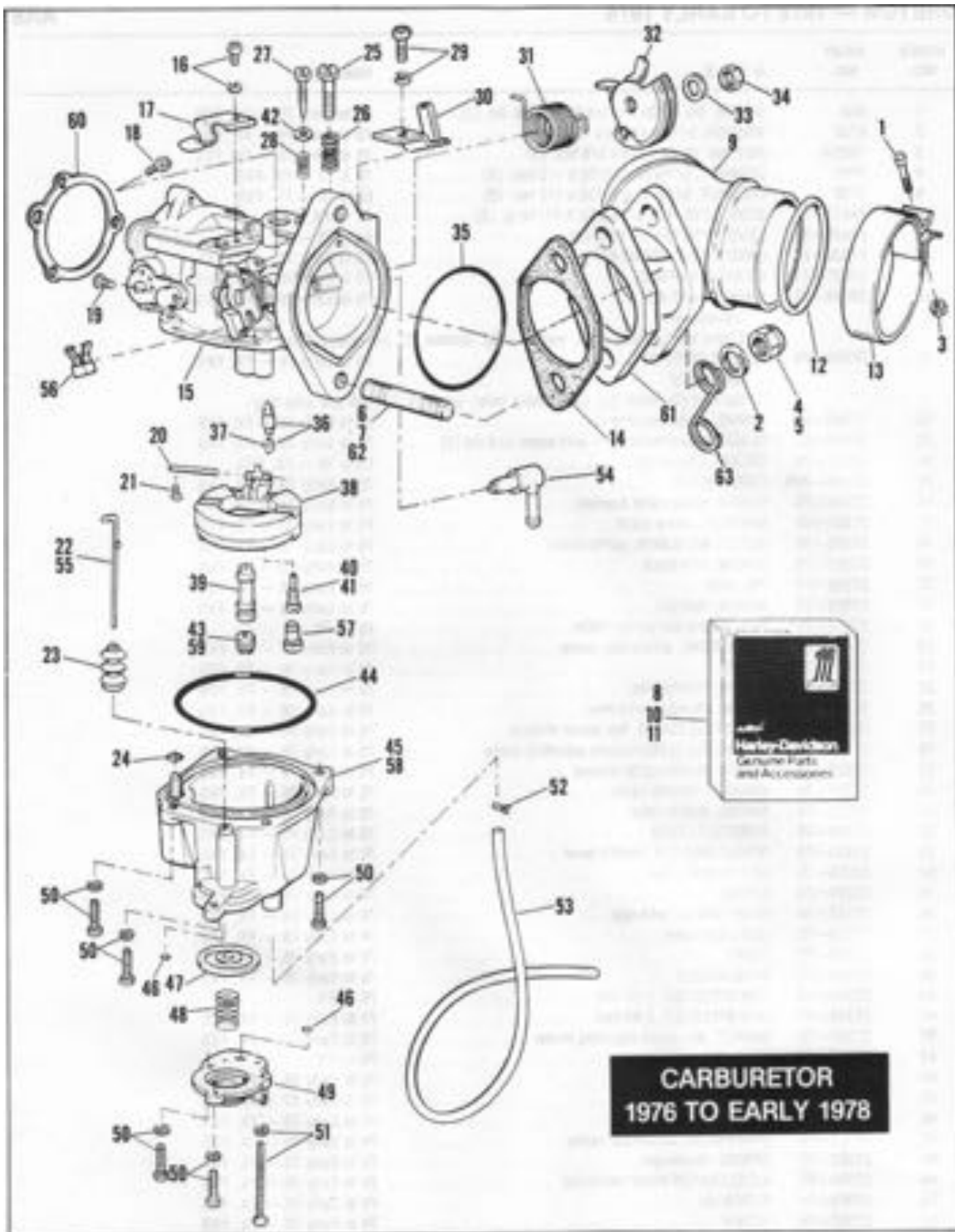


RETAIL PRICE	INDEX NO.	PART NO.	NAME	USED ON
	1	930	SCREW, No. 10-24 x 1-1/4 Pozidriv fl. hd. (2)	74 to Early 78 — FX, FXS
	2	1203	SCREW, No. 8-32 x 7/8 Pozidriv fl. hd. (2)	74 to Early 78 — FX, FXS
	3	2402W	SCREW, 5/16-24 x 1 1/16 Phillips oval hd. (2)	74 to Early 78 — FX, FXS
	4	3208	SET SCREW, No. 8-32 x 5/8 socket hd.	74 to Early 78 — FX, FXS
	5	7620W	NUT, No. 10-24 x 1/8 x 3/8 hex. (2)	74 to Early 78 — FX, FXS
	6	27060-55	O-RING, intake manifold (2)	74 to Early 78 — FX, FXS
	7	27063-57	CLAMP, with screw and nut (2)	74 to Early 78 — FX, FXS
		27154-78	ELECTRON CARBURETOR KIT	74 to Early 78 — FX, FXS
	8	27473-76	SCREW, throttle slide cover (2)	74 to Early 78 — FX, FXS
	9	27474-76	SCREW, float bowl (4)	74 to Early 78 — FX, FXS
	10	27475-78	GASKET, float bowl	74 to Early 78 — FX, FXS
	11	27476-78	INLET VALVE AND SEAT	74 to Early 78 — FX, FXS
	12	27477-78	THROTTLE SLIDE, with spring, rod insert & o-ring	74 to Early 78 — FX, FXS
	13	27478-78	METERING ROD, No. 5	74 to Early 78 — FX, FXS
	14	27479-78	SET SCREW, metering rod	74 to Early 78 — FX, FXS
	15	27480-78	CHOKE LEVER	74 to Early 78 — FX, FXS
	16	27481-78	SPRING, throttle slide	74 to Early 78 — FX, FXS
	17	27482-78	SCREW, idle adjustment	74 to Early 78 — FX, FXS
	18	27483-78	BOOT, throttle cable	74 to Early 78 — FX, FXS
	19	27484-78	SLEEVE, carburetor to intake manifold	74 to Early 78 — FX, FXS
	20	27485-78	INTAKE MANIFOLD	74 to Early 78 — FX, FXS
	21	27486-78	GASKET, throttle slide cover	74 to Early 78 — FX, FXS
	22	27487-78	SPRING, idle adjustment screw	74 to Early 78 — FX, FXS
	23	27488-78	BACK PLATE, air filter	74 to Early 78 — FX, FXS
	24	27489-78	RETAINING PLATE, back plate to carburetor (2)	74 to Early 78 — FX, FXS
	25	27490-78	CLAMP, carburetor to intake manifold (2)	74 to Early 78 — FX, FXS
	26	27491-78	BOLT, air filter back plate (3)	74 to Early 78 — FX, FXS
	27	27492-78	THROTTLE CABLE ASSEMBLY	74 to Early 78 — FX, FXS
	28	27493-78	FLOAT BOWL (clear plastic)	74 to Early 78 — FX, FXS
	29	27494-78	GRIP AND SLEEVE, throttle control	74 to Early 78 — FX, FXS
	30	27495-78	LOWER CLAMP, throttle control	74 to Early 78 — FX, FXS
	31	27496-78	METERING ROD, No. 4	74 to Early 78 — FX, FXS
	32	27497-78	METERING ROD, No. 4 — 1	74 to Early 78 — FX, FXS
	33	29038-72	FILTER ELEMENT	74 to Early 78 — FX, FXS
	34	29084-73	COVER, air filter	74 to Early 78 — FX, FXS
	35	56238-62	PLUG, handlebar grip	74 to Early 78 — FX, FXS
	36	56394-74	SPRING, adjusting screw	74 to Early 78 — FX, FXS
	37	56395-74	CLAMP, throttle control — upper	74 to Early 78 — FX, FXS
	38	56396-74	FRICTION SPRING, throttle grip	74 to Early 78 — FX, FXS
	39	56397-74	ADJUSTING SCREW	74 to Early 78 — FX, FXS



**CARBURETOR
1976 TO EARLY 1978**

RETAIL PRICE	INDEX NO.	PART NO.	NAME	USED ON
	1	930	SCREW, No. 10-24 x 1-1/4 Pozidriv fl. hd. (2)	76 to Early 78 — FX, FXS
	2	6702	WASHER, 5/16 x 11/16 x 1/16 (2)	76 to Early 78 — FX, FXS
	3	7620W	NUT, No. 10-24 x 1/8 x 3/8 hex. (2)	76 to Early 78 — FX, FXS
	4	7725	LOCKNUT, 5/16-24 x 11/32 x 1/2 hex. (2)	76 & 77 — FX, FXS
	5	7739	LOCKNUT, 5/16-18 x 11/32 x 1/2 hex. (2)	Early 78 — FX, FXS
	6	24818-52	STUD, 5/16-18 & 5/16-24 x 1-11/16 lg. (2)	77 — FX, FXS
	7	24820-78	STUD, 5/16-18 x 1-11/16 (2)	Early 78 — FX, FXS
	8	27006-76	CARBURETOR REPAIR KIT	76 to Early 78 — FX, FXS
	9	27021-71A	INTAKE MANIFOLD	76 to Early 78 — FX, FXS
	10	27045-78	CHOKE SHAFT KIT	76 to Early 78 — FX, FXS
			Consists of:	
			Choke lever, choke shaft, washer, clip, screws (2), and choke disc	
	11	27046-78	PLASTIC PARTS KIT	76 to Early 78 — FX, FXS
			Consists of:	
			Springs (3), clips (2), cam, choke lever, washers (2), ball and wire ring	
	12	27060-55	O-RING, intake manifold (2)	76 to Early 78 — FX, FXS
	13	27063-57	CLAMP, intake manifold — with screw and nut (2)	76 to Early 78 — FX, FXS
	14	27077-78	GASKET, spacer (2)	Early 78 — FX, FXS
	15	27155-76A	CARBURETOR	76 to Early 78 — FX, FXS
	16	27304-76	SCREW, choke cable bracket	76 to Early 78 — FX, FXS
	17	27305-76	BRACKET, choke cable	76 to Early 78 — FX, FXS
	18	27306-76	ADJUSTING SCREW, pump stroke	76 to Early 78 — FX, FXS
	19	27307-76	SCREW, wire block	76 to Early 78 — FX, FXS
	20	27308-76	PIN, float	76 to Early 78 — FX, FXS
	21	27309-76	SCREW, float pin	76 to Early 78 — FX, FXS
	22	27310-76	ROD, accelerator pump (860A)	76 — FX
	23	27311-76	RUBBER CAP, accelerator pump	76 to Early 78 — FX, FXS
	24	27312-76	O-RING	76 to Early 78 — FX, FXS
	25	27313-76	SCREW, throttle stop	76 to Early 78 — FX, FXS
	26	27314-76	SPRING, throttle stop screw	76 to Early 78 — FX, FXS
	27	27315-76	ADJUSTING SCREW, low speed mixture	76 to Early 78 — FX, FXS
	28	27319-76	SPRING, low speed mixture adjusting screw	76 to Early 78 — FX, FXS
	29	27320-76	SCREW, throttle cable bracket	76 to Early 78 — FX, FXS
	30	27321-76	BRACKET, throttle cable	76 to Early 78 — FX, FXS
	31	27322-76	SPRING, throttle lever	76 to Early 78 — FX, FXS
	32	27328-76	THRITTLE LEVER	76 to Early 78 — FX, FXS
	33	27333-76	SPRING WASHER, throttle lever	76 to Early 78 — FX, FXS
	34	27335-76	NUT, throttle lever	76 to Early 78 — FX, FXS
	35	27336-76	O-RING	76 to Early 78 — FX, FXS
	36	27337-76	FLOAT VALVE, with clip	76 to Early 78 — FX, FXS
	37	27338-76	CLIP, float valve	76 to Early 78 — FX, FXS
	38	27339-76	FLOAT	76 to Early 78 — FX, FXS
	39	27340-76	MAIN NOZZLE	76 to Early 78 — FX, FXS
	40	27348-76	LOW SPEED JET, 1.00 mm.	76 — FX
	41	27348-77	LOW SPEED JET, 0.88 mm.	77 to Early 78 — FX, FXS
	42	27355-76	GASKET, low speed adjusting screw	76 to Early 78 — FX, FXS
	43	27356-76	MAIN JET, 1.85 mm.	76 — FX
	44	27358-76	O-RING, bowl	76 to Early 78 — FX, FXS
	45	27359-76	BOWL	76 to Early 77 — FX, FXS
	46	27360-76	O-RING (2)	76 to Early 78 — FX, FXS
	47	27361-76	DIAPHRAGM, accelerator pump	76 to Early 78 — FX, FXS
	48	27362-76	SPRING, diaphragm	76 to Early 78 — FX, FXS
	49	27364-76	ACCELERATOR PUMP HOUSING	76 to Early 78 — FX, FXS
	50	27366-76	SCREW (5)	76 to Early 78 — FX, FXS
	51	27367-76	SCREW	76 to Early 78 — FX, FXS
	52	27368-76	CLIP, overflow hose	76 to Early 78 — FX, FXS

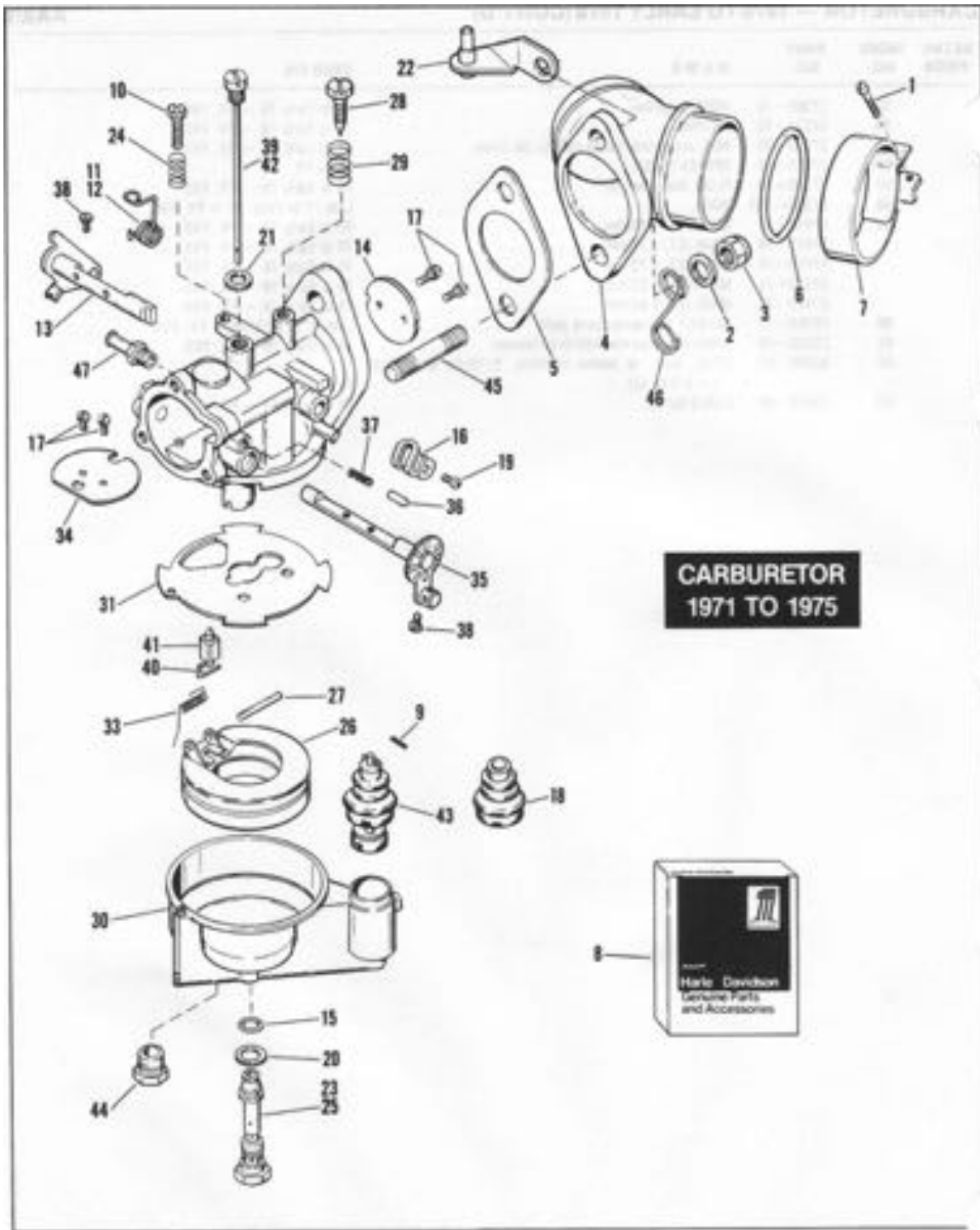


**CARBURETOR
1976 TO EARLY 1978**

RETAIL PRICE	INDEX NO.	PART NO.	NAME	USED ON
	53	27369-76	HOSE, overflow	76 to Early 78 — FX, FXS
	54	27371-76	FITTING	76 to Early 78 — FX, FXS
	55	27373-76	ROD, accelerator pump (8608), 59.5 mm	76 to Early 78 — FX, FXS
	56	27379-76	SPACER (8604)	76 — FX
	57	27385-76	PLUG, low speed jet	76 to Early 78 — FX, FXS
	58	27395-76A	BOWL	Late 77 to Early 78 — FX, FXS
	59	27416-76	MAIN JET, 1.60 mm	76 to Early 78 — FX, FXS
		27417-76	MAIN JET, 1.75 mm	76 to Early 78 — FX, FXS
		27418-76	MAIN JET, 1.70 mm	76 to Early 78 — FX, FXS
		27419-76	MAIN JET, 1.65 mm	76 to Early 78 — FX, FXS
		27420-76	MAIN JET, 1.60 mm	76 to Early 78 — FX, FXS
	60	29058-77	GASKET, air cleaner back plate	Late 77 to Early 78 — FX, FXS
	61	29250-78	SPACER, intake manifold to carburetor	76 to Early 78 — FX, FXS
	62	33298-65	STUD, carb. to intake manifold, 5/16-18 & 5/16-24 x 1-1/2 lg. (2)	76 — FX
	63	45092-68	CABLE GUIDE	76 to Early 78 — FX, FXS

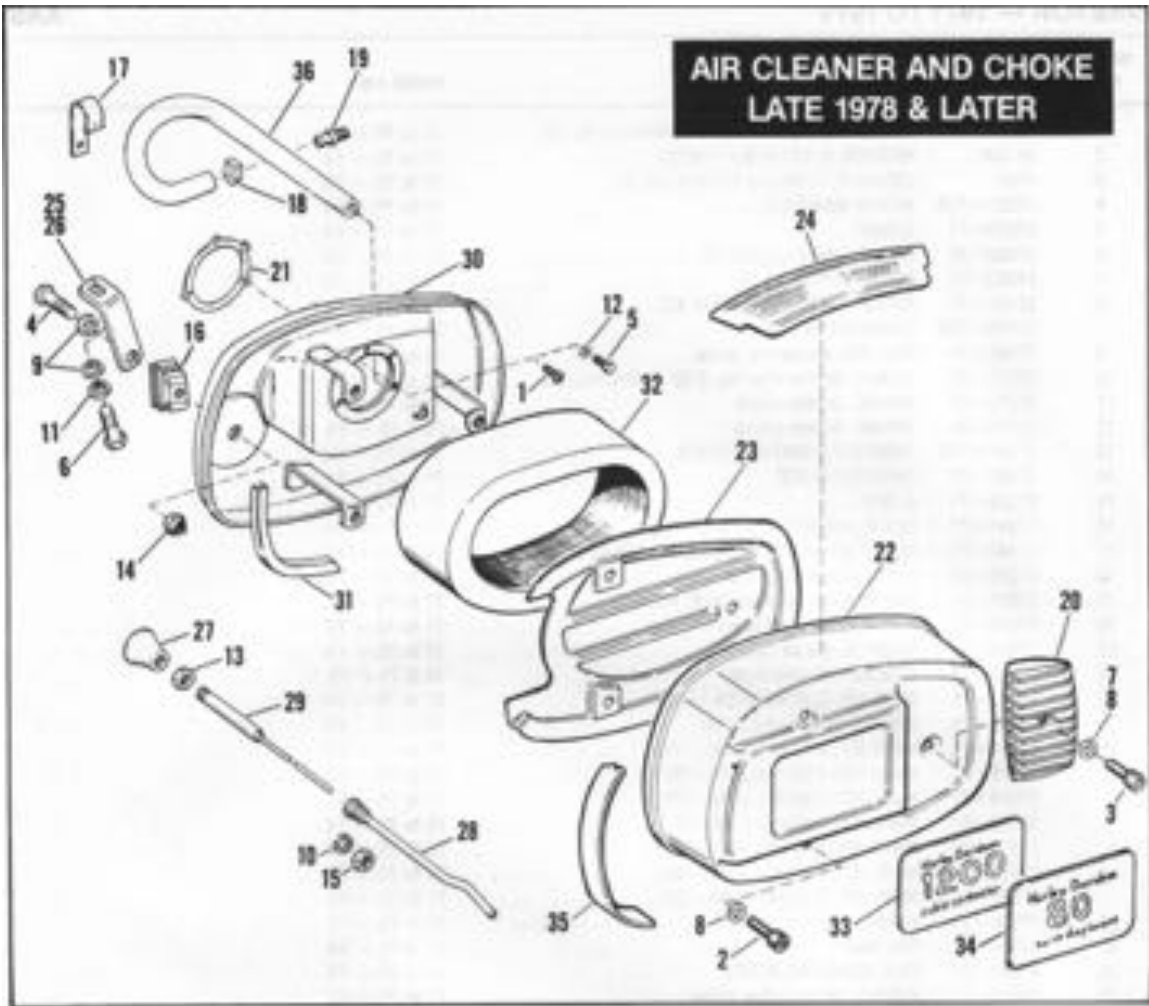
Illustration
 (continued)





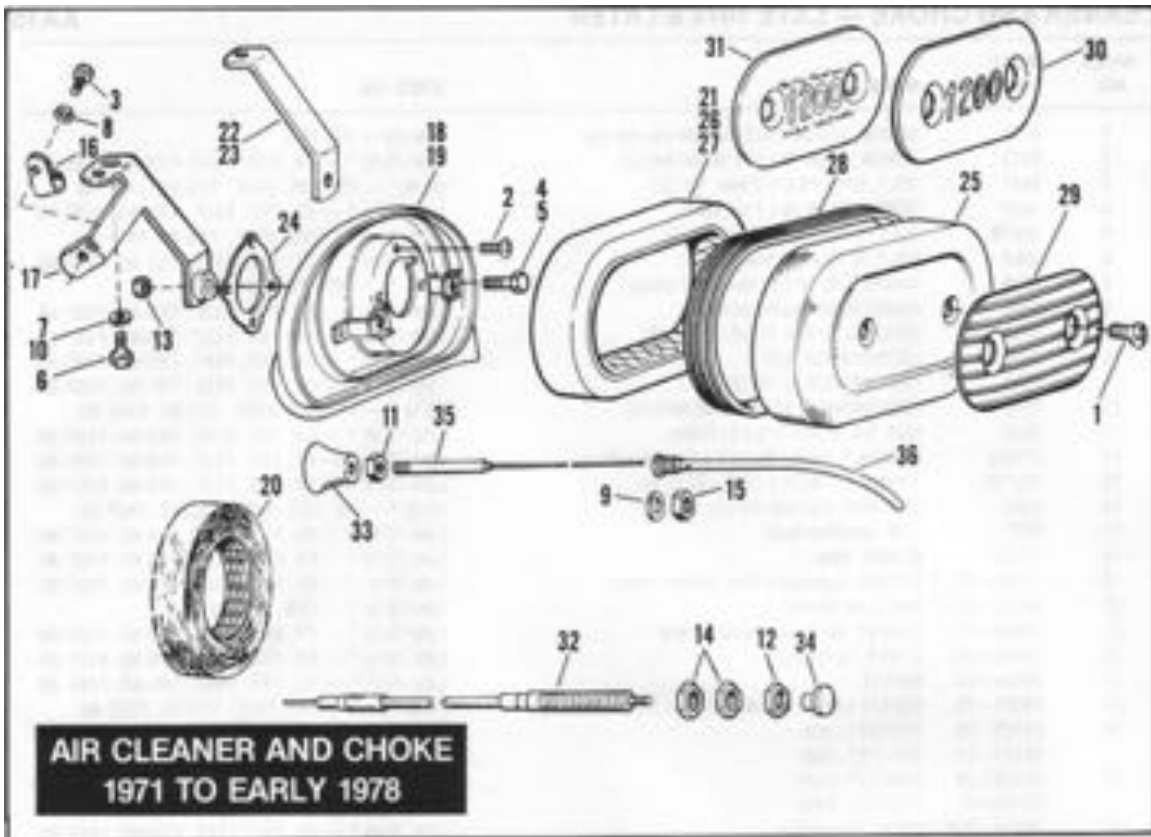
RETAIL PRICE	INDEX NO.	PART NO.	NAME	USED ON
	1	930	SCREW, No. 10-24 x 1-1/4 Pozidriv pan hd. (2)	71 to 75 — FX
	2	631EW	WASHER, 5/16 x 5/8 x 1/16 (2)	71 to 75 — FX
	3	7725	LOCKNUT, 5/16-24 x 11/32 x 1/2 (2)	71 to 75 — FX
	4	27021—71A	INTAKE MANIFOLD	71 to 75 — FX
	5	27023—71	GASKET	71 to 75 — FX
	6	27060—55	O-RING, intake manifold (2)	71 to 75 — FX
	7	27063—57	CLAMP ASSEMBLY (2)	71 to 75 — FX
	8	27132—71	REPAIR PARTS AND GASKET KIT	71 to 75 — FX
		27155—72B	CARBURETOR	71 to 75 — FX
	9	27164—71	ROLL PIN, accelerator pump	71 to 75 — FX
	10	27271—71	SCREW, throttle stop, No. 8-32, slotted hex. hd.	71 to 75 — FX
	11	27272—71	SPRING, throttle return	71 to 75 — FX
	12	27272—74	SPRING, throttle return	74 & 75 — FX
	13	27281—71A	THROTTLE SHAFT AND LEVER	71 to 75 — FX
	14	27282—71	THROTTLE PLATE	71 to 75 — FX
	15	27326—71	O-RING	71 to 75 — FX
	16	27341—71	LEVER, accelerator pump	71 to 75 — FX
	17	27342—71	SCREW WITH LOCKWASHER, No. 1/8-40 (4)	71 to 75 — FX
	18	27389—71	BOOT, accelerator pump	71 to 75 — FX
	19	27396—71	SCREW WITH LOCKWASHER, No. 4-36	71 to 75 — FX
	20	27403—71	WASHER, main jet (fiber)	71 to 75 — FX
	21	27404—71	WASHER, idle jet (fiber)	71 to 75 — FX
	22	27459—74	BRACKET, throttle cable	74 & 75 — FX
	23	27612—71	MAIN JET, 0.90 mm (C66—173)	71 to 75 — FX
	24	27613—71	SPRING, throttle stop screw	71 to 75 — FX
	25	27614—71	MAIN JET, 0.95 mm. (C66—174)	71 to 75 — FX
		27618—71	MAIN JET, 1.00 mm. (C66—155)	71 to 75 — FX
		27619—71	MAIN JET, 1.05 mm. (C66—156)	71 to 75 — FX
		27620—71	MAIN JET, 1.10 mm. (C66—157)	71 to 75 — FX
		27621—71	MAIN JET, 1.15 mm. (C66—143)	71 to 75 — FX
		27622—71	MAIN JET, 1.20 mm. (C66—158)	71 to 75 — FX
		27623—71	MAIN JET, 1.25 mm. (C66—159)	71 to 75 — FX
	26	27630—71	FLOAT	71 to 75 — FX
	27	27631—71	PIN, float	71 to 75 — FX
	28	27641—71	IDLE ADJUSTING SCREW	71 to 75 — FX
	29	27642—71	SPRING, idle adjusting screw	71 to 75 — FX
	30	27645—71	BOWL	71 to 75 — FX
	31	27646—71	GASKET, bowl	71 to 75 — FX
		27651—75	MAIN JET, 0.95 mm. (C66—183—19)	Late 75 — FX
		27652—75	MAIN JET, 1.00 mm. (C66—183—20)	Late 75 — FX
		27653—75	MAIN JET, 1.05 mm. (C66—183—21)	Late 75 — FX
		27654—75	MAIN JET, 1.10 mm. (C66—183—22)	Late 75 — FX
		27655—75	MAIN JET, 1.15 mm. (C66—183—23)	Late 75 — FX
		27656—75	MAIN JET, 1.20 mm. (C66—183—24)	Late 75 — FX
	33	27659—71	SPRING, float	71 to 75 — FX
	34	27663—71	CHOKE PLATE	71 to 75 — FX
	35	27664—71	CHOKE SHAFT AND LEVER	71 to 75 — FX
	36	27665—71	PIN, choke friction spring	71 to 75 — FX
	37	27666—71	FRICTION SPRING, choke	71 to 75 — FX
	38	27686—71	SCREW, wire block, No. 8-36 (2)	71 to 75 — FX
	39	27725—71	IDLE JET, .60 mm.	71 to 75 — FX
	40	27737—71	CLIP, fuel valve	71 to 75 — FX
	41	27748—71	FUEL VALVE, with clip	71 to 75 — FX
	42	27750—72	IDLE JET, .65 mm.	74 & 75 — FX
	43	27782—71A	ACCELERATOR PUMP	71 to 75 — FX
	44	27763—71	BOWL DRAIN PLUG	71 to 75 — FX
	45	33298—65	STUD, 5/16-24 x 1-1/2 (2)	71 to 75 — FX
	46	45092—66	CABLE GUIDE	71 to 75 — FX
	47	63578—52	INLET FITTING	71 to 75 — FX

**AIR CLEANER AND CHOKE
LATE 1978 & LATER**



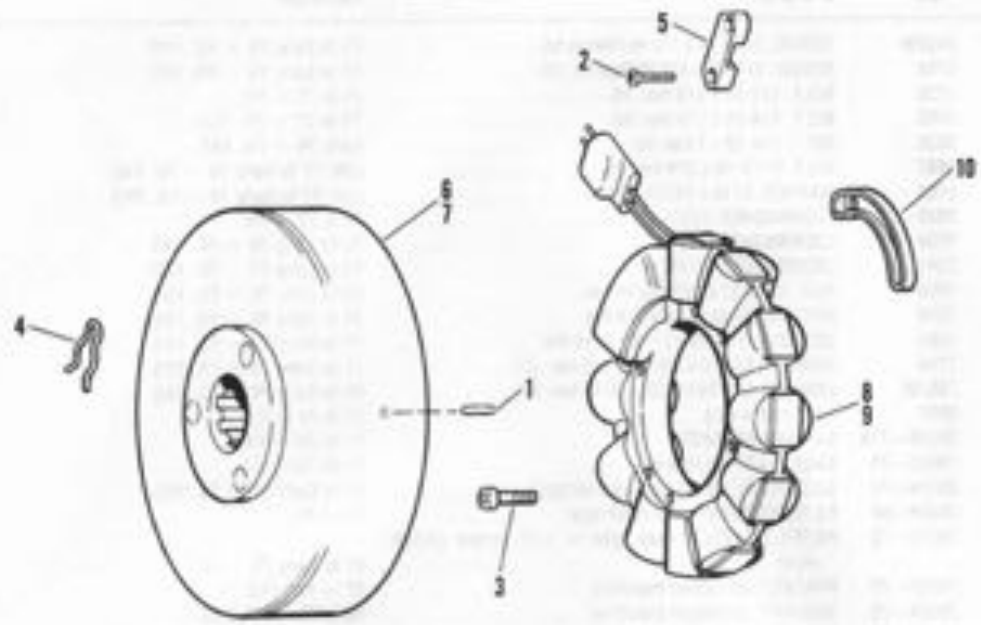
RETAIL PRICE	INDEX NO.	PART NO.	NAME	USED ON
	1	2774	SCREW, 1/4-20 x 5/8 Posidriv pan hd. (3)	Late 78 — FX, FXS
	2	3413	SCREW, 5/16-18 x 5/8 socket hd. (2)	Late 78 to * — FX, FXS, FXEF, FXS-80, FXEF-80
	3	3447	BOLT, 5/16-18 x 1/2 hex. hd. (2)	80 to * — FX, FXS, FXEF, FXS-80, FXEF-80
	4	3458	SCREW, 5/16-18 x 1 socket hd.	Late 78 to * — FX, FXS, FXEF, FXS-80, FXEF-80
	5	3767B	BOLT, 1/4-20 x 5/8 hex. hd. (3)	79 to * — FX, FXS, FXEF, FXS-80, FXEF-80
	6	3987	BOLT, 5/16 x 3/4 hex. hd. (4)	Late 78 to * — FX, FXS, FXEF, FXS-80, FXEF-80
	7	6046	WASHER, 5/16 x 9/16 x 1/32 (black)	79 to * — FXS, FXS-80
	8	6095	WASHER, air cleaner cover (3)	Late 78 to * — FX, FXS, FXEF, FXS-80, FXEF-80
	9	6702	WASHER, 5/16 x 11/16 x 1/16 (4)	Late 78 to * — FX, FXS, FXEF, FXS-80, FXEF-80
	10	7038	LOCKWASHER, 3/8	Late 78 to * — FX, FXS, FXEF, FXS-80, FXEF-80
	11	7041	LOCKWASHER, 5/16 (2)	Late 78 to * — FX, FXS, FXEF, FXS-80, FXEF-80
	12	7230	LOCKWASHER, 1/4 external tooth (3)	79 to * — FX, FXS, FXEF, FXS-80, FXEF-80
	13	7608	NUT, No. 8-32 x 1/8 x 5/16 hex.	Late 78 to * — FX, FXS, FXEF, FXS-80, FXEF-80
	14	7710W	LOCKNUT, 5/16-18 x 1/4 x 1/2 hex. (2)	Late 78 to * — FX, FXS, FXEF, FXS-80, FXEF-80
	15	7851W	JAMNUT, 3/8-24 x 7/32 x 9/16 hex.	Late 78 to * — FX, FXS, FXEF, FXS-80, FXEF-80
	16	8103	CLIP NUT, rear bracket (2)	80 to * — FX, FXS, FXEF, FXS-80, FXEF-80
	17	9979	CLIP, breather hose	Late 78 to * — FX, FXS, FXEF, FXS-80, FXEF-80
	18	10020	CLAMP, hose	Late 78 to * — FX, FXS, FXEF, FXS-80, FXEF-80
	19	25260-78	FITTING, crankcase to air cleaner hose	Late 78 to * — FX, FXS, FXEF, FXS-80, FXEF-80
	20	29057-78	GRILL, air intake	Late 78 to * — FXS, FXS-80
	21	29058-77	GASKET, air cleaner to carburetor	Late 78 to * — FX, FXS, FXEF, FXS-80, FXEF-80
	22	29061-78	COVER, air cleaner	Late 78 to * — FX, FXS, FXEF, FXS-80, FXEF-80
	23	29064-78	BAFFLE	Late 78 to * — FX, FXS, FXEF, FXS-80, FXEF-80
	24	29071-79	SAFETY LABEL, air cleaner	79 to * — FX, FXS, FXEF, FXS-80, FXEF-80
	25	29113-78	BRACKET, rear	Late 78 & 79 — FX, FXS, FXEF, FXS-80, FXEF-80
		29113-79	BRACKET, rear	80 to * — FX, FXS, FXEF, FXS-80, FXEF-80
	26	29114-78	BRACKET, front	Late 78 & 79 — FX, FXS, FXEF, FXS-80, FXEF-80
		29114-79	BRACKET, front	80 to * — FX, FXS, FXEF, FXS-80, FXEF-80
	27	29214-87A	KNOB, choke wire	Late 78 to * — FX, FXS, FXEF, FXS-80, FXEF-80
	28	29215-78	TUBE, choke wire	Late 78 to * — FX, FXS, FXEF, FXS-80, FXEF-80
	29	29219-78	WIRE, choke control	Late 78 to * — FX, FXS, FXEF, FXS-80, FXEF-80
	30	29239-78	BACK PLATE, air cleaner	Late 78 to * — FX, FXS, FXEF, FXS-80, FXEF-80
	31	29252-78	SEAL STRIP, air cleaner backing plate	Late 78 to * — FX, FXS, FXEF, FXS-80, FXEF-80
	32	29255-78	FILTER ELEMENT	Late 78 to * — FX, FXS, FXEF, FXS-80, FXEF-80
		29256-79	AIR CLEANER SEAL KIT	Late 78 & 79 — FX, FXS, FXEF, FXS-80, FXEF-80
			Consists of:	
		6702	WASHER, fitting, 5/16 x 11/16 x 1/16	
		7127	LOCKWASHER, fitting, 5/16 int. tooth	
		7763W	JAMNUT, fitting, 5/16-18 x 3/16 x 1/2 hex.	
		9969	HOSE CLAMP	
		11110	O-RING	
		29252-78	SEAL, air cleaner	
		29253-78	FITTING, air cleaner	
	33	29270-78	TRIM, air cleaner — "1200"	Late 78 to * — FX, FXS, FXEF
	34	29272-78	TRIM, air cleaner — "80"	Late 79 to * — FXS-80, FXEF-80
	35	29299-78	TRIM STRIP, air cleaner cover (black)	Late 78 to * — FX, FXS, FXEF, FXS-80, FXEF-80
			NOTE: Hose is sold only in bulk length under the following part number. Cut to required length.	
	36	63500-68	HOSE, 3/8 I.D. x 5/8 O.D. fabric reinforced rubber (25 ft. lg.)	Late 78 to * — FX, FXS, FXEF, FXS-80, FXEF-80

NOTE: Asterisk (*) indicates part is used for latest model year shown on cover.



RETAIL PRICE	INDEX NO.	PART NO.	NAME	USED ON
	1	2402W	SCREW, 5/16-24 x 1 1/16 Phillips hd.	71 to Early 78 — FX, FXS
	2	2758	SCREW, 1/4-20 x 1/2 Phillips hd. (3)	71 to Early 78 — FX, FXS
	3	3738	BOLT, 1/4-28 x 5/8 hex. hd.	71 & 72 — FX
	4	3765	BOLT, 1/4-28 x 5/8 hex. hd.	71 to 77 — FX, FXS
	5	3825	BOLT, 1/4-28 x 1 hex. hd.	Early 78 — FX, FXS
	6	3987	BOLT, 5/16-18 x 3/4 hex. hd.	Late 77 to Early 78 — FX, FXS
	7	6702	WASHER, 5/16 x 1 1/16 x 1/16	Late 77 to Early 78 — FX, FXS
	8	7036	LOCKWASHER, 1/4	71 & 72 — FX
	9	7038	LOCKWASHER, 3/8	73 to Early 78 — FX, FXS
	10	7041	LOCKWASHER, 5/16	71 to Early 77 — FX, FXS
	11	7508	NUT, No. 8-32 x 1/8 x 5/16 hex.	73 to Early 78 — FX, FXS
	12	7538	NUT, No. 10-32 x 1/8 x 3/8 hex.	71 to Early 78 — FX, FXS
	13	7683	LOCKNUT, 1/4-28 x 5/16 x 7/16 hex.	71 to Early 78 — FX, FXS
	14	7744	JAMNUT, 5/16-24 x 3/16 x 1/2 hex. (2)	71 to Early 78 — FX, FXS
	15	7851W	JAMNUT, 3/8-24 x 7/32 x 9/16 hex. hd.	73 to Early 78 — FX, FXS
	16	9957	CLIP, choke wire	71 & 72 — FX
	17	29018-71A	SUPPORT BRACKET	71 to 76 — FX
	18	29020-71	BACK PLATE, air cleaner	71 to 76 — FX
	19	29024-77	BACK PLATE, air cleaner (snorkel type)	77 to Early 78 — FX, FXS
	20	29036-66	FILTER ELEMENT, wire mesh type	71 — FX
	21	29036-72	FILTER ELEMENT, foam type — with screen (2-5/8" wide)	71 to Early 75 — FX
	22	29054-77	BRACKET, air cleaner mounting	77 — FX, FXS
	23	29054-78	BRACKET, air cleaner mounting	Early 78 — FX, FXS
	24	29058-77	GASKET, air cleaner back plate	Late 77 to Early 78 — FX, FXS
	25	29084-73	COVER, air cleaner	71 to Early 78 — FX, FXS
	26	29086-73	FILTER ELEMENT, foam type — with screen (3" wide)	Late 75 & 76 — FX
	27	29086-75	FILTER ELEMENT, foam type — with screen (3-1/2" wide)	77 to Early 78 — FX, FXS
	28	29144-77	RUBBER SEAL, air cleaner cover	Late 77 to Early 78 — FX, FXS
	29	29205-69	TRIM, air cleaner	71 to 75 — FX
	30	29205-76	TRIM, air cleaner (1200)	76 & 77 — FX, FXS
	31	29206-78	TRIM, air cleaner (1200 cc)	Early 78 — FX, FXS
	32	29212-71	CONTROL CABLE, choke	71 & 72 — FX
	33	29214-67A	KNOB, choke wire	73 to Early 78 — FX, FXS
	34	29214-71	KNOB, choke wire	71 & 72 — FX
	35	29216-72	WIRE, choke control	73 to Early 78 — FX, FXS
	36	29221-73	TUBE, choke wire	73 to Early 78 — FX, FXS
		29256-79	AIR CLEANER KIT	71 to Early 78 — FX, FXS
			Consists of:	
		6702	WASHER, fitting, 5/16 x 1 1/16 x 1/16	
		7127	LOCKWASHER, fitting, 5/16 int. tooth	
		7763W	JAMNUT, fitting, 5/16-18 x 3/16 x 1/2 hex.	
		9969	HOSE CLAMP	
		11110	O-RING	
		29252-79	SEAL, air cleaner	
		29257-79	FITTING, air cleaner	

ALTERNATOR

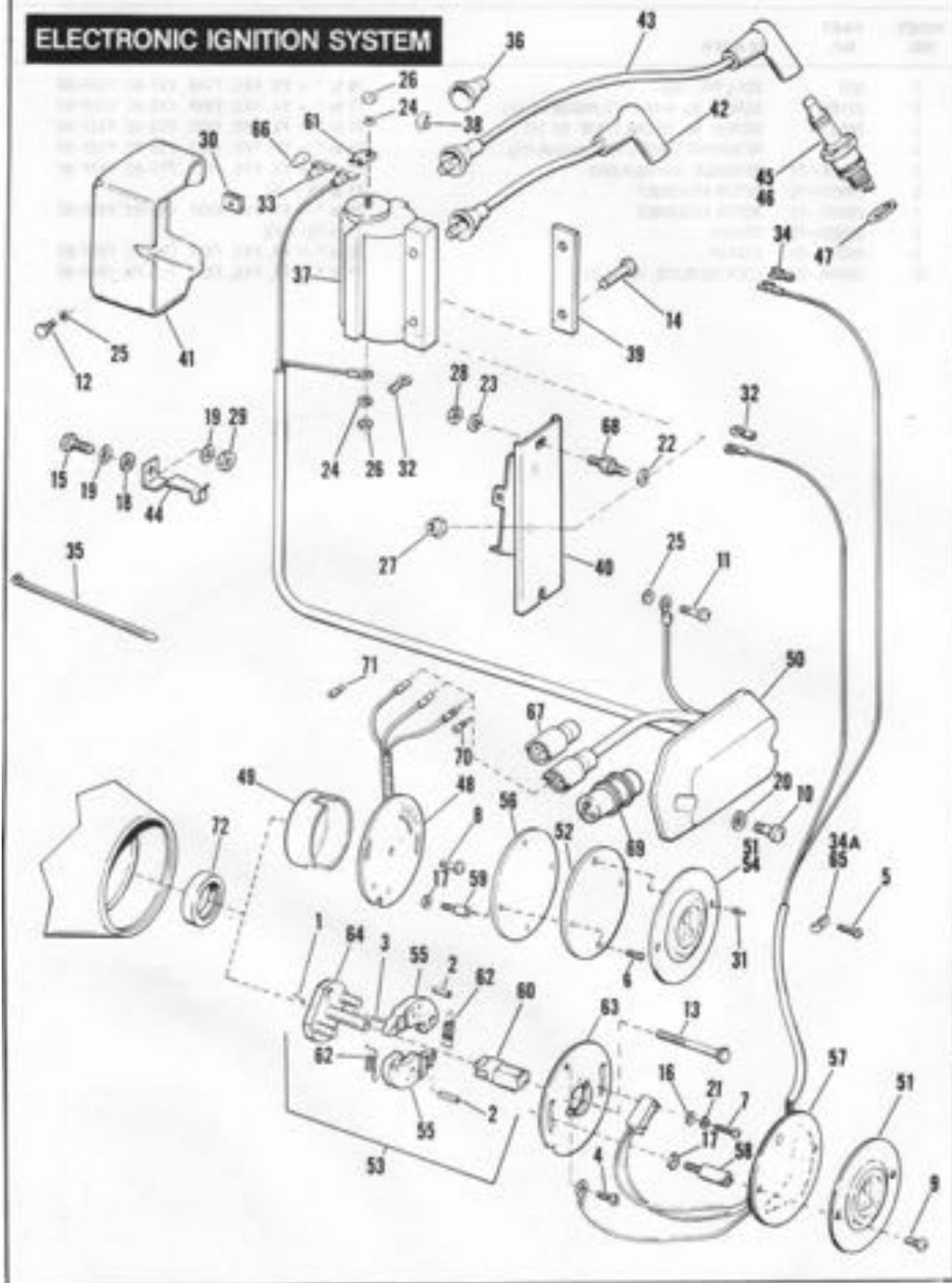


RETAIL PRICE	INDEX NO.	PART NO.	N A M E	USED ON
	1	603	ROLL PIN, rotor	76 to * - FX, FXS, FXEF, FXS-80, FXEF-80
	2	2216W	SCREW, No. 4-24 x 1/2 Phillips hd. (2)	71 to * - FX, FXS, FXEF, FXS-80, FXEF-80
	3	2653	SCREW, No. 10-24 x 7/8 fl. hd. (4)	71 to * - FX, FXS, FXEF, FXS-80, FXEF-80
	4	11084	RETAINING SPRING, rotor magnet ring	76 to * - FX, FXS, FXEF, FXS-80, FXEF-80
	5	29954-71	RETAINER, alternator plug	71 to * - FX, FXS, FXEF, FXS-80, FXEF-80
	6	29957-70	ROTOR ASSEMBLY	71 to 75 - FX
	7	29957-75	ROTOR ASSEMBLY	76 to * - FX, FXS, FXEF, FXS-80, FXEF-80
	8	29965-70	STATOR	71 to 75 - FX
	9	29965-75	STATOR	76 to * - FX, FXS, FXEF, FXS-80, FXEF-80
	10	29986-73	LOCKING PLATE, stator (2)	71 to * - FX, FXS, FXEF, FXS-80, FXEF-80



NOTE: Asterisk (*) indicates part is used for latest model year shown on cover.

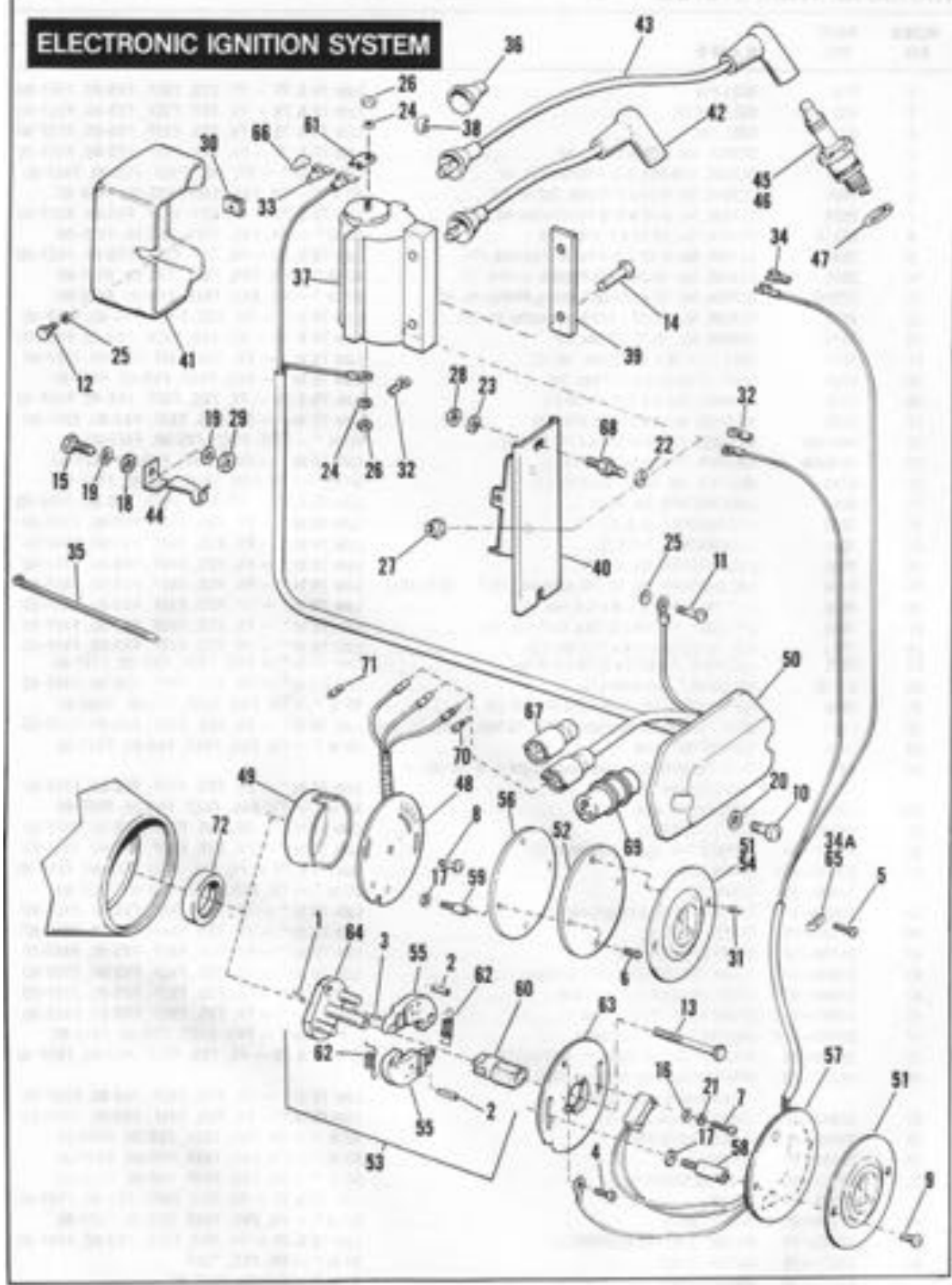
ELECTRONIC IGNITION SYSTEM



RETAIL PRICE	INDEX NO.	PART NO.	NAME	USED ON
	1	615	ROLL PIN	Late 78 & 79 — FX, FXS, FXEF, FXS-80, FXEF-80
	2	620	ROLL PIN (2)	Late 78 & 79 — FX, FXS, FXEF, FXS-80, FXEF-80
	3	623	ROLL PIN	Late 78 & 79 — FX, FXS, FXEF, FXS-80, FXEF-80
	4	1047	SCREW, No. 8-36 x 1/4 fl. hd.	Late 78 & 79 — FX, FXS, FXEF, FXS-80, FXEF-80
	5	1301	SCREW, 1/4-20 x 1-1/4 Posidriv fl. hd.	Late 78 to * — FX, FXS, FXEF, FXS-80, FXEF-80
	6	1801	SCREW, No. 8-32 x 1/2 ctk. flat hd. (2)	80 to * — FX, FXS, FXEF, FXS-80, FXEF-80
	7	2554	SCREW, No. 4-40 x 5/8 Posidriv pan hd. (2)	Late 78 & 79 — FX, FXS, FXEF, FXS-80, FXEF-80
	8	2611A	SCREW, No. 10-32 x 1/2 hex. hd.	80 to * — FX, FXS, FXEF, FXS-80, FXEF-80
	9	2646	SCREW, No. 8-32 x 3/4 Posidriv pan hd. (2)	Late 78 & 79 — FX, FXS, FXEF, FXS-80, FXEF-80
	10	2659	SCREW, No. 10-24 x 7/8 Posidriv pan hd. (2)	80 to * — FX, FXS, FXEF, FXS-80, FXEF-80
	11	2731W	SCREW, No. 10 x 3/8 self tapping Phillips rd. hd.	80 to * — FX, FXS, FXEF, FXS-80, FXEF-80
	12	3473	SCREW, No. 10-32 x 1/2 hex. washer hd. (2)	Late 78 to * — FX, FXS, FXEF, FXS-80, FXEF-80
	13	3570	SCREW, No. 10-32 x 2 hex. hd.	Late 78 & 79 — FX, FXS, FXEF, FXS-80, FXEF-80
	14	3842	BOLT, 1/4-28 x 1-1/2 hex. hd. (2)	Late 78 to * — FX, FXS, FXEF, FXS-80, FXEF-80
	15	4726	BOLT, 7/16-20 x 1-1/2 hex. hd.	Late 78 to * — FXS, FXEF, FXS-80, FXEF-80
	16	6006	WASHER, No. 4 x 1/4 x 1/32 (2)	Late 78 & 79 — FX, FXS, FXEF, FXS-80, FXEF-80
	17	6192	WASHER, No. 8 x 7/16 x 3/64 (2)	Late 78 to * — FX, FXS, FXEF, FXS-80, FXEF-80
	18	6497HW	WASHER, 7/16 x 1-1/8 x 1/16 (as req.)	80 to * — FXS, FXEF, FXS-80, FXEF-80
	19	6516HW	WASHER, 7/16 x 1-1/8 x 1/8 (2)	Late 78 to * — FXS, FXEF, FXS-80, FXEF-80
	20	6716	WASHER, No. 10 x 1/2 x 3/64 (2)	80 to * — FX, FXS, FXEF, FXS-80, FXEF-80
	21	6969	LOCKWASHER, No. 4 (2)	Late 78 & 79 — FX, FXS, FXEF, FXS-80, FXEF-80
	22	7038	LOCKWASHER, 3/8 (2)	Late 78 to * — FX, FXS, FXEF, FXS-80, FXEF-80
	23	7041	LOCKWASHER, 5/16 (2)	Late 78 to * — FX, FXS, FXEF, FXS-80, FXEF-80
	24	7089	LOCKWASHER, No. 10 (2)	Late 78 to * — FX, FXS, FXEF, FXS-80, FXEF-80
	25	7118	LOCKWASHER, No. 10 internal tooth (2) (3 — 80 & later)	Late 78 to * — FX, FXS, FXEF, FXS-80, FXEF-80
	26	7638	NUT, No. 10-32 x 1/8 x 3/8 hex. (2)	Late 78 to * — FX, FXS, FXEF, FXS-80, FXEF-80
	27	7983	LOCKNUT, 1/4-28 x 5/16 x 7/16 hex. (2)	Late 78 to * — FX, FXS, FXEF, FXS-80, FXEF-80
	28	7753	NUT, 5/16-24 x 1/4 x 1/2 hex. (2)	Late 78 to * — FX, FXS, FXEF, FXS-80, FXEF-80
	29	7825	LOCKNUT, 7/16-20 x 7/16 x 5/8 hex.	Late 78 to * — FXS, FXEF, FXS-80, FXEF-80
	30	8115B	SPEED NUT, coil cover (2)	Late 78 to * — FX, FXS, FXEF, FXS-80, FXEF-80
	31	8699	POP RIVET, 3/16 x 3/8 x 3/8 dia. hd. (2)	80 to * — FX, FXS, FXEF, FXS-80, FXEF-80
	32	9857	WIRE TERMINAL, ring type — No. 10 hole — #16-22 wire	Late 78 to * — FX, FXS, FXEF, FXS-80, FXEF-80
	33	9900	CONNECTOR, wire	80 to * — FX, FXS, FXEF, FXS-80, FXEF-80
	34	9931	WIRE TERMINAL, female spade type — 3/16 slot — #16-20 wire	Late 78 to * — FX, FXS, FXEF, FXS-80, FXEF-80
	34A	9965W	CLIP, ignition wire	80 to * — FX, FXS, FXEF, FXS-80, FXEF-80
	35	10006	CABLE STRAP (3)	Late 78 to * — FX, FXS, FXEF, FXS-80, FXEF-80
	36	31607-64	RUBBER CAP, spark plug cable (2)	Late 78 to * — FX, FXS, FXEF, FXS-80, FXEF-80
	37	31609-65A	SPARK COIL	Late 78 & 79 — FX, FXS, FXEF, FXS-80, FXEF-80
		31609-80	SPARK COIL	80 to * — FX, FXS, FXEF, FXS-80, FXEF-80
	38	31620-47	TERMINAL, spark plug cable (2)	Late 78 to * — FX, FXS, FXEF, FXS-80, FXEF-80
	39	31727-72	PLATE, spark coil	Late 78 to * — FX, FXS, FXEF, FXS-80, FXEF-80
	40	31728-78	BRACKET, spark coil	Late 78 to * — FX, FXS, FXEF, FXS-80, FXEF-80
	41	31800-78	SPARK COIL COVER, with hardware	Late 78 to * — FX, FXS, FXEF, FXS-80, FXEF-80
	42	31980-65B	SPARK PLUG CABLE, 5-1/2 in.	Late 78 to * — FX, FXS, FXEF, FXS-80, FXEF-80
	43	31981-65B	SPARK PLUG CABLE, 16 in.	Late 78 to * — FX, FXS, FXEF, FXS-80, FXEF-80
	44	32000-37A	BRACKET, spark plug cable	Late 78 to * — FXS, FXEF, FXS-80, FXEF-80
	45	32310-78	SPARK PLUG, No. S6SA — .040 gap (2)	Late 78 & 79 — FX, FXS, FXEF, FXS-80, FXEF-80
	46	32312-78	SPARK PLUG, No. S6SA — .040 gap (2) (radio noise suppression)	Late 78 to * — FX, FXS, FXEF, FXS-80, FXEF-80
	47	32342-58	GASKET, spark plug (2)	Late 78 to * — FX, FXS, FXEF, FXS-80, FXEF-80
	48	32400-80	SENSOR ASSEMBLY	80 to * — FX, FXS, FXEF, FXS-80, FXEF-80
	49	32401-80	ROTOR	80 to * — FX, FXS, FXEF, FXS-80, FXEF-80
	50	32412-80	IGNITION MODULE	80 to * — FX, FXS, FXEF, FXS-80, FXEF-80
	51	32503-77	COVER	Late 78 & 79 — FX, FXS, FXEF, FXS-80, FXEF-80
	52	32504-80	INNER COVER	80 to * — FX, FXS, FXEF, FXS-80, FXEF-80
	53	32505-78	WEIGHT & ROTOR ASSEMBLY	Late 78 & 79 — FX, FXS, FXEF, FXS-80, FXEF-80
	54	32511-78	OUTER COVER	80 to * — FX, FXS, FXEF
		32511-80	OUTER COVER	80 to * — FXS-80, FXEF-80

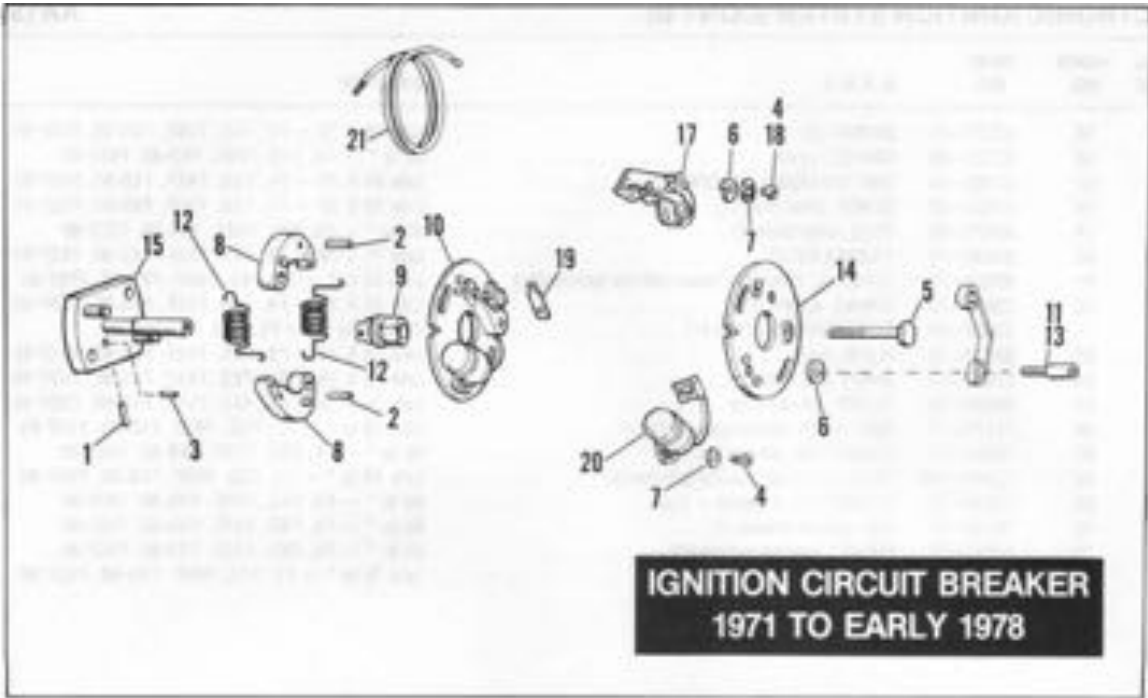
NOTE: Asterisk (*) indicates part is used for latest model year shown on cover.

ELECTRONIC IGNITION SYSTEM



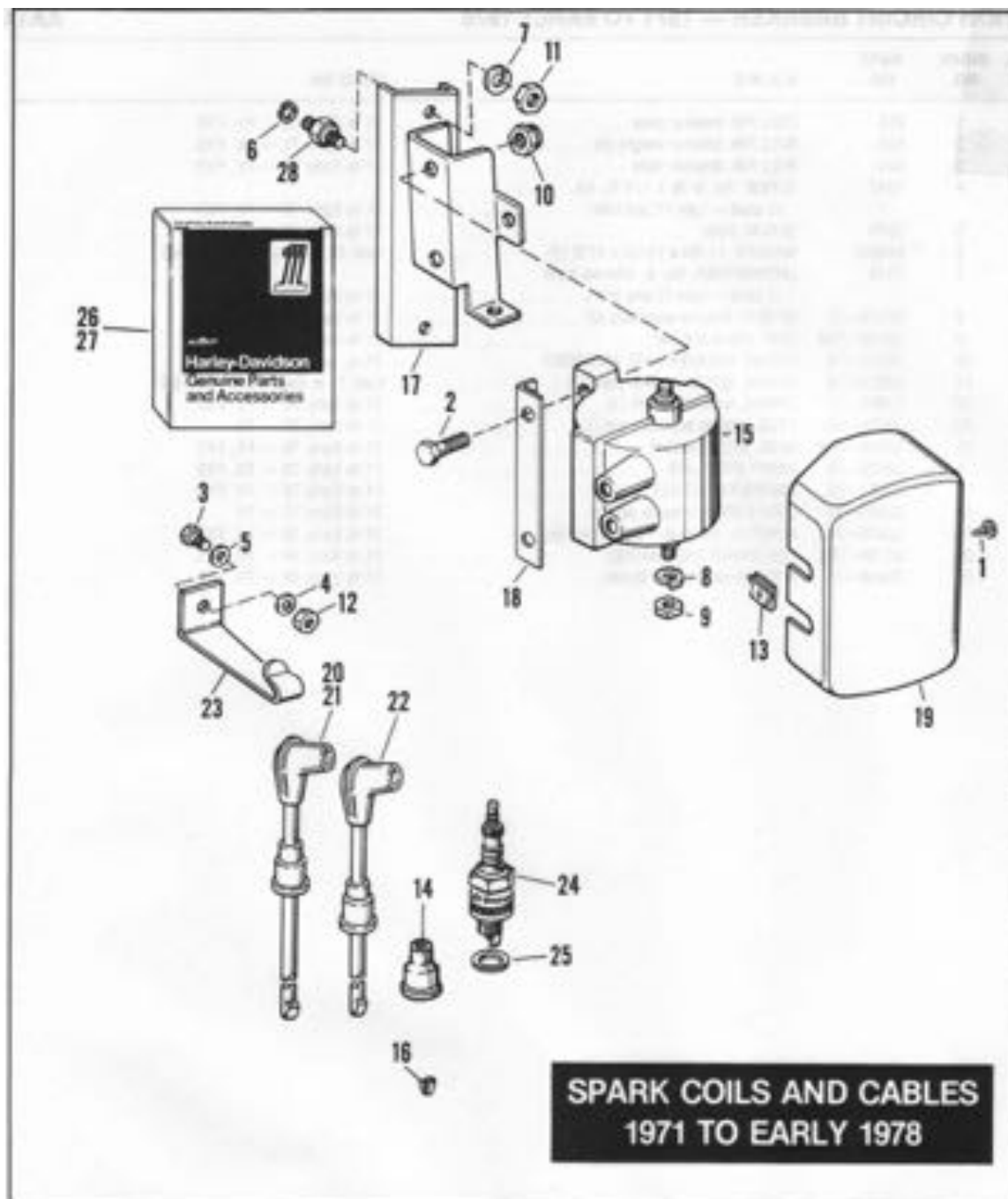
RETAIL PRICE	INDEX NO.	PART NO.	N A M E	USED ON
	55	32522-79	WEIGHT (2)	Late 78 & 79 — FX, FXS, FXEF, FXS-80, FXEF-80
	56	32591-80	GASKET, cover	80 to * — FX, FXS, FXEF, FXS-80, FXEF-80
	57	32598-78	IGNITION MODULE ASSEMBLY	Late 78 & 79 — FX, FXS, FXEF, FXS-80, FXEF-80
	58	32601-78	SCREW, timer plate (2)	Late 78 & 79 — FX, FXS, FXEF, FXS-80, FXEF-80
	59	32601-80	STUD, timer plate (2)	80 to * — FX, FXS, FXEF, FXS-80, FXEF-80
	60	32602-78	TRIGGER ROTOR	Late 78 & 79 — FX, FXS, FXEF, FXS-80, FXEF-80
	61	32604-78	TERMINAL ADAPTER, spark coil (for tachometer)	Late 78 to * — FX, FXS, FXEF, FXS-80, FXEF-80
	62	32605-79	SPRING, weight (2)	Late 78 & 79 — FX, FXS, FXEF, FXS-80, FXEF-80
		32609-78	ELECTRONIC IGNITION KIT	71 to Early 78 — FX, FXS
	63	32610-78	PLATE, timer	Late 78 & 79 — FX, FXS, FXEF, FXS-80, FXEF-80
	64	32629-70	SHAFT AND PLATE	Late 78 & 79 — FX, FXS, FXEF, FXS-80, FXEF-80
	65	56609-52	CLAMP, ignition wire	Late 78 & 79 — FX, FXS, FXEF, FXS-80, FXEF-80
	66	71774-77	INSULATOR, female spade terminal	Late 78 to * — FX, FXS, FXEF, FXS-80, FXEF-80
	67	72051-77	CONNECTOR, pin and socket	80 to * — FX, FXS, FXEF, FXS-80, FXEF-80
	68	72341-56A	STUD, spark coil bracket to frame (2)	Late 78 to * — FX, FXS, FXEF, FXS-80, FXEF-80
	69	74521-77	CONNECTOR, 2 socket — 1 pin	80 to * — FX, FXS, FXEF, FXS-80, FXEF-80
	70	74536-77	PIN, ignition module (2)	80 to * — FX, FXS, FXEF, FXS-80, FXEF-80
	71	74539-77	SOCKET, ignition module (2)	80 to * — FX, FXS, FXEF, FXS-80, FXEF-80
	72	83162-51	SEAL	Late 78 to * — FX, FXS, FXEF, FXS-80, FXEF-80

NOTE: Asterisk (*) indicates part is used for latest model year shown on cover.

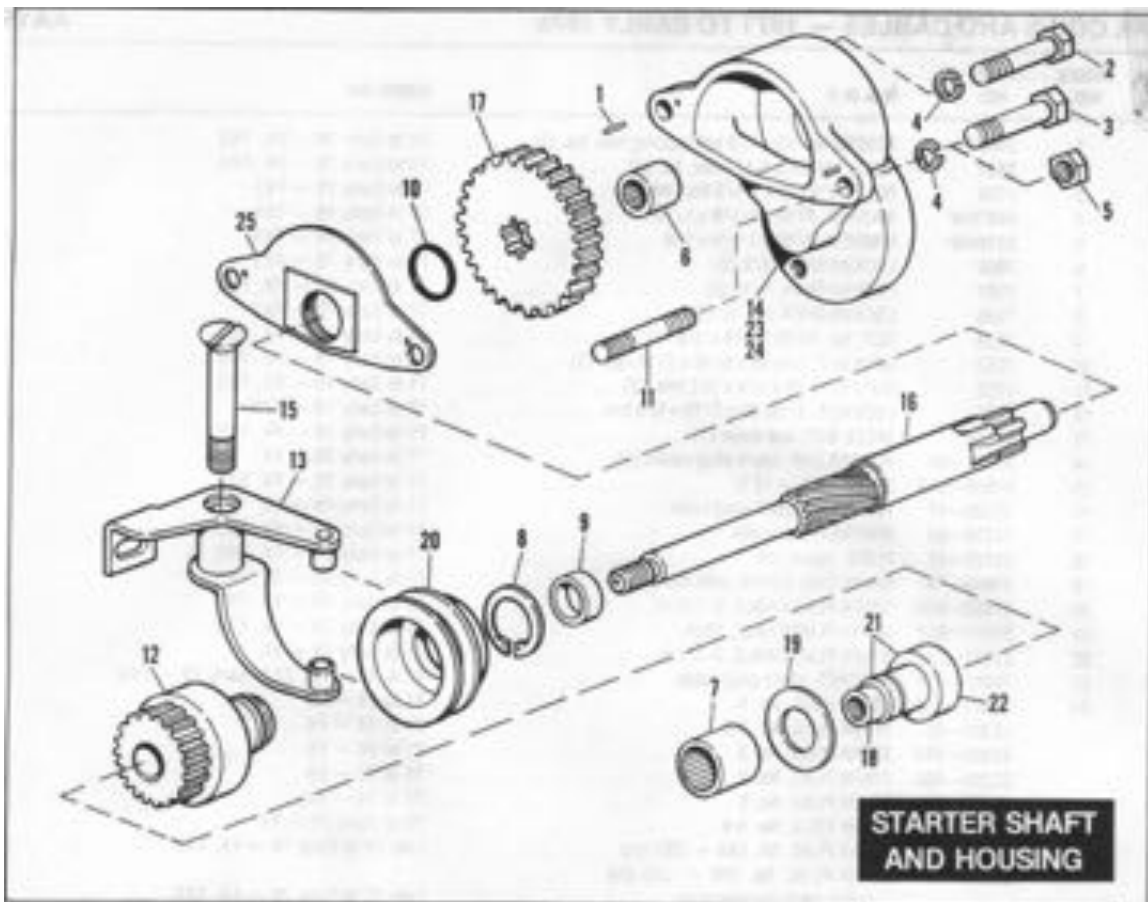


RETAIL PRICE	INDEX NO.	PART NO.	NAME	USED ON
	1	615	ROLL PIN, breaker plate	71 to Early 78 — FX, FXS
	2	620	ROLL PIN, breaker weight (2)	71 to Early 78 — FX, FXS
	3	623	ROLL PIN, breaker plate	71 to Early 78 — FX, FXS
	4	1047	SCREW, No. 8-36 x 1/4 Bl. hd. (2 used — Late 72 and later)	71 to Early 78 — FX, FXS
	5	3570	SCREW, timer	71 to Early 78 — FX, FXS
	6	6189W	WASHER, 11/64 x 13/32 x 1/32 (2)	Late 72 to Early 78 — FX, FXS
	7	7115	LOCKWASHER, No. 8, internal tooth (2 used — Late 72 and later)	71 to Early 78 — FX, FXS
	8	32522-70	WEIGHT, breaker assembly (2)	71 to Early 78 — FX, FXS
	9	32542-70A	CAM, circuit breaker	71 to Early 78 — FX, FXS
	10	32577-70	CIRCUIT BREAKER BASE ASSEMBLY	71 to Early 78 — FX, FXS
	11	32601-78	SCREW, ignition breaker plate (2)	Late 72 to Early 78 — FX, FXS
	12	32605-70	SPRING, breaker weight (2)	71 to Early 78 — FX, FXS
	13	32608-70	STUD, ignition breaker plate (2)	71 to Early 72 — FX
	14	32618-70A	BASE, circuit breaker	71 to Early 78 — FX, FXS
	15	32629-70	SHAFT AND PLATE	71 to Early 78 — FX, FXS
	17	32661-70	BREAKER POINT SET	71 to Early 78 — FX, FXS
	18	32669-47	LOCK SCREW, breaker points	71 to Early 72 — FX
	19	32670-70	ADAPTER, terminal — circuit breaker	71 to Early 78 — FX, FXS
	20	32726-30A	CONDENSER AND BRACKET	71 to Early 78 — FX, FXS
	21	70456-73	WIRE, circuit breaker to coil	71 to Early 78 — FX, FXS

SPARK COILS AND CABLES
1971 TO EARLY 1978



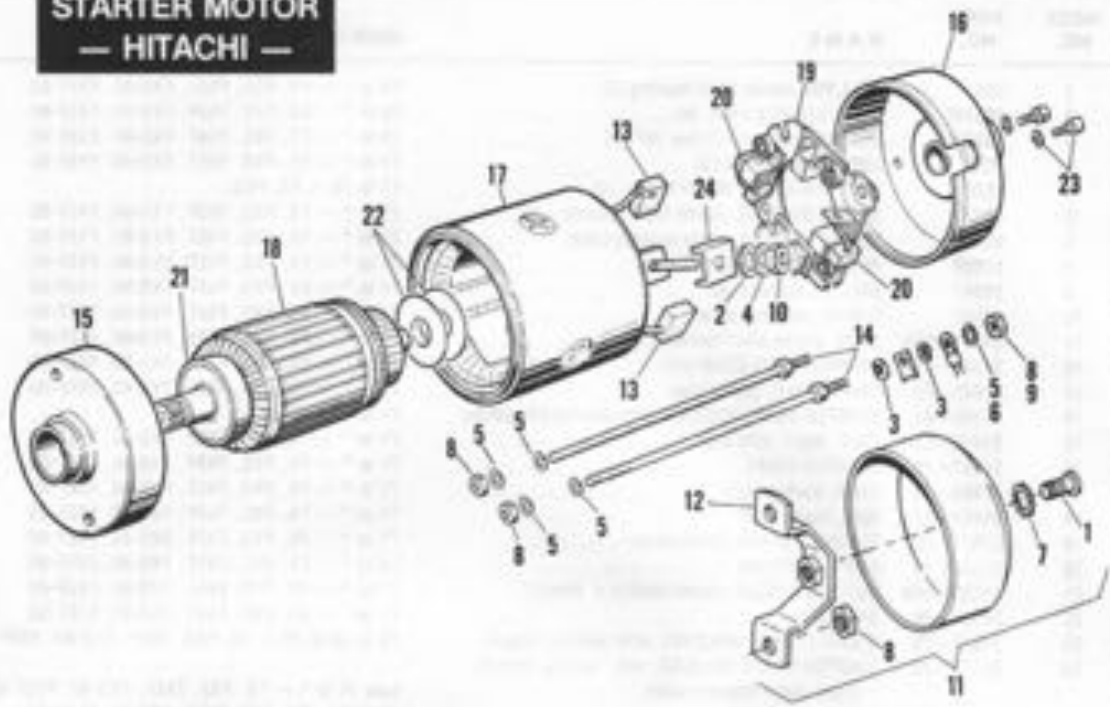
RETAIL PRICE	INDEX NO.	PART NO.	N A M E	USED ON
	1	3586W	SCREW, No. 10 x 1/2 self-tapping hex. hd. (2)	71 to Early 76 — FX, FXS
	2	3842	BOLT, 1/4-28 x 1-1/2 hex. hd. (2)	71 to Early 76 — FX, FXS
	3	4726	BOLT, 7/16-20 x 1-1/2 hex. hd.	77 to Early 78 — FXS
	4	6497YW	WASHER, 7/16 x 1-1/8 x 1/16	77 to Early 78 — FXS
	5	6516HW	WASHER, 7/16 x 1-1/8 x 1/8	77 to Early 78 — FXS
	6	7038	LOCKWASHER, 3/8 (2)	77 to Early 78 — FXS
	7	7041	LOCKWASHER, 5/16 (2)	71 to Early 76 — FX, FXS
	8	7069	LOCKWASHER, No. 10 (2)	77 to Early 78 — FXS
	9	7638	NUT, No. 10-32 x 1/8 x 3/8 hex.	71 to Early 78 — FX, FXS
	10	7683	LOCKNUT, 1/4-28 x 5/16 x 7/16 hex. (2)	71 to Early 78 — FX, FXS
	11	7753	NUT, 5/16-24 x 1/4 x 1/2 hex. (2)	71 to Early 78 — FX, FXS
	12	7825	LOCKNUT, 7/16-20 x 7/16 x 5/8 hex.	77 to Early 78 — FXS
	13	8115B	SPEED NUT, coil cover (2)	71 to Early 78 — FX, FXS
	14	31607-64	RUBBER CAP, spark plug cables (2)	71 to Early 76 — FX
	15	31609-65A	SPARK COIL — 12 V	71 to Early 76 — FX, FXS
	16	31620-47	TERMINAL, spark plug cable	71 to Early 76 — FX
	17	31724-65	BRACKET, spark coil	71 to Early 78 — FX, FXS
	18	31727-72	PLATE, spark coil	71 to Early 78 — FX, FXS
	19	31800-78	SPARK COIL COVER, with fittings	71 to Early 78 — FX, FXS
	20	31980-65B	SPARK PLUG CABLE, 5-1/2 in.	75 to Early 78 — FX, FXS
	21	31981-65B	SPARK PLUG CABLE, 16 in.	75 to Early 78 — FX, FXS
	22	31991-74A	SPARK PLUG CABLE, 9-1/2 in.	71 to Early 78 — FX
	23	32900-37A	BRACKET, spark plug cable	71 & 72 — FX; 77 to Early 78 — FXS
	24	32301-47A	SPARK PLUG, No. 4	71 to 74 — FX
		32301-60	SPARK PLUG, No. 3-4	71 to 74 — FX
		32303-47A	SPARK PLUG, No. 3	71 to 74 — FX
		32305-48A	SPARK PLUG, No. 2	71 to 74 — FX
		32307-58	SPARK PLUG, No. 5	71 to 74 — FX
		32309-69	SPARK PLUG, No. 5-6	75 to Early 77 — FX
		32310-77	SPARK PLUG, No. 5A6 — .025 gap	Late 77 to Early 78 — FX, FXS
		32312-77	SPARK PLUG, No. 5R6 — .025 gap (radio noise suppression)	Late 77 to Early 78 — FX, FXS
	25	32342-58	GASKET, spark plug	71 to Early 78 — FX, FXS
	26	32353-77	TUNE UP KIT (1971 to 1974)	71 to 74 — FX
			Consists of:	
		32301-60	SPARK PLUG, No. 3-4 (2)	
		32661-70	BREAKER POINT SET	
		32726-30A	CONDENSER AND BRACKET	
	27	32354-77	TUNE UP KIT (1975 & to Early 1978)	75 to Early 78 — FX, FXS
			Consists of:	
		32310-77	SPARK PLUG, No. 5A6 (2)	
		32661-70	BREAKER POINT SET	
		32726-30A	CONDENSER AND BRACKET	
	28	72341-56A	STUD, spark coil bracket to frame (2)	71 to Early 78 — FX, FXS



RETAIL PRICE	INDEX NO.	PART NO.	N A M E	USED ON
	1	334	ROLL PIN, starter shaft housing (2)	71 to * — FX, FXS, FXEF, FXS-80, FXEF-80
	2	2551W	BOLT, 1/4-20 x 1 hex. hd.	79 to * — FX, FXS, FXEF, FXS-80, FXEF-80
	3	2872W	BOLT, 1/4-20 x 1-1/2 hex. hd. (2)	79 to * — FX, FXS, FXEF, FXS-80, FXEF-80
	4	7036	LOCKWASHER, 1/4 (2)	71 to * — FX, FXS, FXEF, FXS-80, FXEF-80
	5	7676	NUT, 1/4-28 x 3/16 x 7/16 hex. (2)	71 to 78 — FX, FXS
	6	9062	NEEDLE BEARING, starter shaft housing	71 to * — FX, FXS, FXEF, FXS-80, FXEF-80
	7	9063	NEEDLE BEARING, chain housing cover	71 to * — FX, FXS, FXEF, FXS-80, FXEF-80
	8	11039	RETAINING RING, shifter collar	71 to * — FX, FXS, FXEF, FXS-80, FXEF-80
	9	11041	SPACER, starter shaft	71 to * — FX, FXS, FXEF, FXS-80, FXEF-80
	10	11101	O-RING, deflector plate	71 to * — FX, FXS, FXEF, FXS-80, FXEF-80
	11	24811-59A	STUD, starter shaft housing (2)	71 to * — FX, FXS, FXEF, FXS-80, FXEF-80
	12	31443-65A	STARTER DRIVE GEAR UNIT	71 to * — FX, FXS, FXEF, FXS-80, FXEF-80
	13	31445-65	SHIFT LEVER, starter gear	71 to * — FX, FXS, FXEF, FXS-80, FXEF-80
	14	31465-65	STARTER SHAFT HOUSING, with bearing (Prestolite)	71 & 72 — FX
	15	31478-65A	PIVOT BOLT, shift lever	71 to * — FX, FXS, FXEF, FXS-80, FXEF-80
	16	31482-70	STARTER SHAFT	71 to * — FX, FXS, FXEF, FXS-80, FXEF-80
	17	31485-65	GEAR, starter shaft	71 to * — FX, FXS, FXEF, FXS-80, FXEF-80
	18	31493-67	NUT, starter shaft	71 to * — FX, FXS, FXEF, FXS-80, FXEF-80
	19	31502-65	THRUST WASHER, chain cover	71 to * — FX, FXS, FXEF, FXS-80, FXEF-80
	20	31503-70	SHIFTER COLLAR	71 to * — FX, FXS, FXEF, FXS-80, FXEF-80
	21	31530-65A	NUT AND SPACER, starter shaft (I.H. thread)	71 to * — FX, FXS, FXEF, FXS-80, FXEF-80
	22	31531-69	SPACER	71 to * — FX, FXS, FXEF, FXS-80, FXEF-80
	23	31572-73	STARTER SHAFT HOUSING, with bearing (Hitachi)	73 to Early 79 — FX, FXS, FXEF, FXS-80, FXEF-80
	24	31572-79	STARTER SHAFT HOUSING, with bearing (Hitachi) (plate shifter transmission)	Late 79 to * — FX, FXS, FXEF, FXS-80, FXEF-80
	25	60516-65A	PLATE, oil deflector	71 to * — FX, FXS, FXEF, FXS-80, FXEF-80

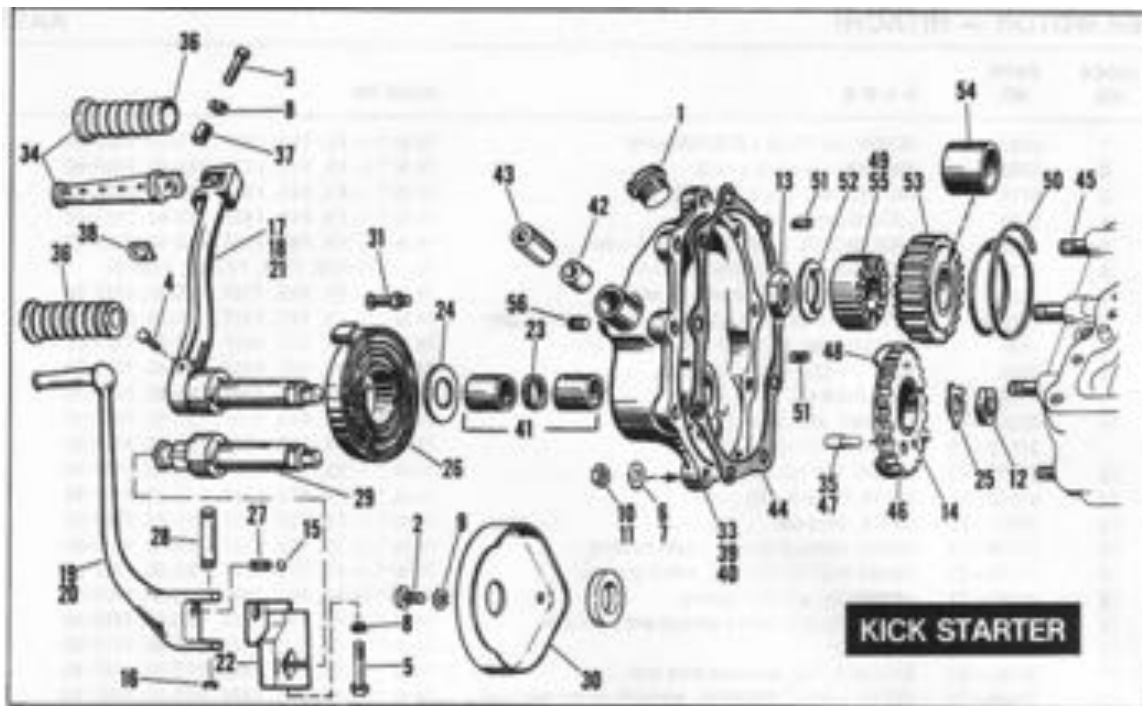
NOTE: Asterisk (*) indicates part is used for latest model year shown on cover.

STARTER MOTOR
— HITACHI —



RETAIL PRICE	INDEX NO.	PART NO.	NAME	USED ON
	1	2682	SCREW, No. 10-32 x 3/8 Phillips hd.	74 to * — FX, FXS, FXEF, FXS-80, FXEF-80
	2	6703	WASHER, 1/4 x 5/8 x 1/16	74 to * — FX, FXS, FXEF, FXS-80, FXEF-80
	3	6716	WASHER, No. 10 x 1/2 x 3/64 (2)	77 to * — FX, FXS, FXEF, FXS-80, FXEF-80
	4	7036	LOCKWASHER, 1/4	74 to * — FX, FXS, FXEF, FXS-80, FXEF-80
	5	7069	LOCKWASHER, 3/16 (5) (4 — 79 & Later)	74 to * — FX, FXS, FXEF, FXS-80, FXEF-80
	6	7118	LOCKWASHER, No. 10 internal tooth	79 — FX, FXS, FXEF, FXS-80, FXEF-80
	7	7220	LOCKWASHER, No. 10 external tooth	74 to * — FX, FXS, FXEF, FXS-80, FXEF-80
	8	7620W	NUT, No. 10-24 x 1/8 x 3/8 hex. (5) (4 — 79 & Later)	74 to * — FX, FXS, FXEF, FXS-80, FXEF-80
	9	7624	LOCKNUT, No. 10-24 x 1/4 x 3/8 hex. (2)	79 to * — FX, FXS, FXEF, FXS-80, FXEF-80
	10	7688	NUT, 1/4-20 x 7/32 x 7/16 hex.	74 to * — FX, FXS, FXEF, FXS-80, FXEF-80
	11	31565-67	END COVER KIT	74 to * — FX, FXS, FXEF, FXS-80, FXEF-80
	12	31568-67	BRACKET, end cover	74 to * — FX, FXS, FXEF, FXS-80, FXEF-80
		31570-73	STARTER MOTOR	74 to * — FX, FXS, FXEF, FXS-80, FXEF-80
	13	31575-73	BRUSH, field coil mounted (2)	74 to * — FX, FXS, FXEF, FXS-80, FXEF-80
	14	31576-73	SET OF THRU-BOLTS	74 to * — FX, FXS, FXEF, FXS-80, FXEF-80
	15	31577-73	COVER, drive end	74 to * — FX, FXS, FXEF, FXS-80, FXEF-80
	16	31578-73	COVER, commutator end — with bushing	74 to * — FX, FXS, FXEF, FXS-80, FXEF-80
	17	31579-73	FRAME AND FIELD COILS, with 2 brushes	74 to * — FX, FXS, FXEF, FXS-80, FXEF-80
	18	31580-73	ARMATURE, with ball bearing	74 to * — FX, FXS, FXEF, FXS-80, FXEF-80
	19	31581-73	BRUSH HOLDER, with 4 springs and 2 brushes	74 to * — FX, FXS, FXEF, FXS-80, FXEF-80
	20	31582-73	BRUSH (2)	74 to * — FX, FXS, FXEF, FXS-80, FXEF-80
	21	31583-73	BALL BEARING, armature drive end	74 to * — FX, FXS, FXEF, FXS-80, FXEF-80
	22	31584-73	SET OF THRUST WASHERS, armature commutator end	74 to * — FX, FXS, FXEF, FXS-80, FXEF-80
	23	31585-73	SCREW, with lockwasher (2)	74 to * — FX, FXS, FXEF, FXS-80, FXEF-80
	24	31586-73	INSULATOR, terminal	74 to * — FX, FXS, FXEF, FXS-80, FXEF-80
		33217-73	ELECTRIC START CONVERSION KIT	73 to 76 — FX

NOTE: Asterisk (*) indicates part is used for latest model year shown on cover.

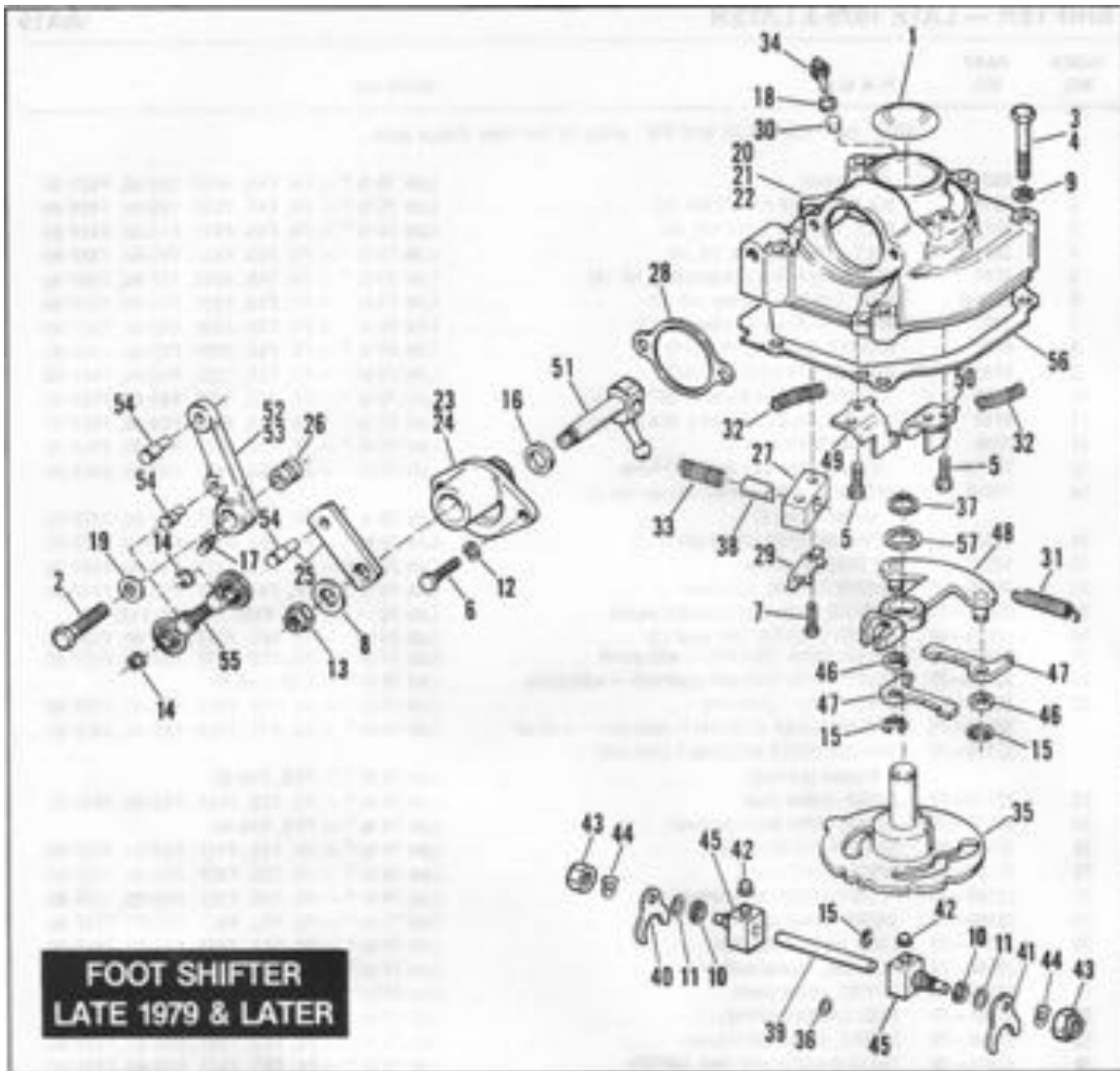


RETAIL PRICE	INDEX NO.	PART NO.	NAME	USED ON
	1	701A	FILLER PLUG, starter cover	71 to * - FX, FXS, FXEF, FXS-80, FXEF-80
	2	2664	SCREW, No. 10-24 x 7/16 Pozidriv hd.	71 to * - FX, FXS, FXEF, FXS-80, FXEF-80
	3	4338W	BOLT, 3/8-24 x 1-1/8 hex. hd.	71 to * - FX, FXS, FXEF, FXS-80, FXEF-80
	4	4411	BOLT, 3/8-24 x 1-3/4 hex. hd.	71 to 76 - FX
	5	4716W	BOLT, 3/8-16 x 1-1/4 hex. hd.	77 to * - FX, FXS, FXEF, FXS-80, FXEF-80
	6	6002	WASHER, 5/16 x 5/8 x 1/16 (black) (9)	77 to * - FXS, FXS-80
	7	6316W	WASHER, 5/16 x 5/8 x 1/16 (9)	71 to * - FX, FXS, FXEF, FXS-80, FXEF-80
	8	7038	LOCKWASHER, 3/8	71 to * - FX, FXS, FXEF, FXS-80, FXEF-80
	9	7220	LOCKWASHER, No. 10 external tooth	71 to * - FX, FXS, FXEF, FXS-80, FXEF-80
	10	7509	NUT, 5/16-24 x 1/2 hex. (black) (9)	77 to * - FXS, FXS-80
	11	7753	NUT, 5/16-24 x 1/4 x 1/2 hex. (9)	71 to * - FX, FXS, FXEF, FXS-80, FXEF-80
	12	7911	NUT, 1/2-20 x 7/16 x 7/8 hex.	71 to * - FX, FXS, FXEF, FXS-80, FXEF-80
	13	7977	NUT, 5/8-18 x 1/4 x 9/16 hex.	71 to * - FX, FXS, FXEF, FXS-80, FXEF-80
	14	8241	RIVET, 3/16 x 5/8 x 11/32 dia. ctsk. hd. (3)	71 to * - FX, FXS, FXEF, FXS-80, FXEF-80
	15	8860	BALL, starter crank pedal	77 to * - FX, FXS, FXEF, FXS-80, FXEF-80
	16	11031	RETAINING RING, pivot pin	77 to * - FX, FXS, FXEF, FXS-80, FXEF-80
	17	33052-71	STARTER CRANK, only (chrome)	71 to Early 72 - FX
		33065-79A	KICK START KIT	78 to * - FX, FXS, FXEF, FXS-80, FXEF-80
	18	33057-72	STARTER CRANK, only (chrome)	Late 72 to 76 - FX
	19	33067-77	STARTER CRANK, only (chrome)	77 to * - FX, FXS, FXEF, FXS-80, FXEF-80
	20	33061-77	STARTER CRANK, only (black)	77 to * - FX, FXEF
	21	33068-54	STARTER CRANK, only (black)	71 & 72 - FX
	22	33074-77	BRACKET, starter crank (chrome)	77 to * - FX, FXS, FXEF, FXS-80, FXEF-80
	23	33076-37	OIL SEAL	71 to * - FX, FXS, FXEF, FXS-80, FXEF-80
	24	33080-36	WASHER, starter crank	71 to * - FX, FXS, FXEF, FXS-80, FXEF-80
	25	33082-16	LOCKWASHER, starter crank (2)	71 to * - FX, FXS, FXEF, FXS-80, FXEF-80
	26	33085-36	SPRING, starter crank	71 to * - FX, FXS, FXEF, FXS-80, FXEF-80
	27	33085-74	SPRING, starter crank ball	77 to * - FX, FXS, FXEF, FXS-80, FXEF-80
	28	33086-74	PIVOT PIN, starter crank	77 to * - FX, FXS, FXEF, FXS-80, FXEF-80
	29	33096-54B	STARTER CRANK SHAFT	71 to * - FX, FXS, FXEF, FXS-80, FXEF-80
	30	33150-59	SPRING COVER KIT, complete	71 to * - FX, FXS, FXEF, FXS-80, FXEF-80
	31	33152-59	STUD, starter spring, with spring cover screw hole	71 to * - FX, FXS, FXEF, FXS-80, FXEF-80
	33	33160-77	STARTER COVER (transmission cover) (painted)	77 to * - FXS, FXS-80
	34	33178-63	STARTER PEDAL, complete	71 to 76 - FX
	35	33180-77	PIN, starter crank gear - 3/8 dia.	77 to * - FX, FXS, FXEF, FXS-80, FXEF-80
	36	33189-63	PEDAL RUBBER, black	71 to * - FX, FXS, FXEF, FXS-80, FXEF-80
	37	33213-31	BUSHING, pedal pin	71 to 76 - FX
	38	33215-30	WASHER, pedal pin	71 to 76 - FX
	39	33266-78	STARTER COVER (transmission cover) (electric start)	78 to * - FX, FXEF, FXEF-80
	40	33277-36A	STARTER COVER (transmission cover)	71 to 78 - FX
	41	33286-37	BUSHING SET, starter crank	71 to * - FX, FXS, FXEF, FXS-80, FXEF-80
	42	33290-38	LOWER BUSHING, starter cover	71 to * - FX, FXS, FXEF, FXS-80, FXEF-80
	43	33291-36	UPPER BUSHING, starter cover	71 to * - FX, FXS, FXEF, FXS-80, FXEF-80
	44	33295-36	GASKET, starter cover	71 to * - FX, FXS, FXEF, FXS-80, FXEF-80
	45	33298-65	STUD, starter cover (9)	71 to * - FX, FXS, FXEF, FXS-80, FXEF-80
	46	33350-36	GEAR, starter crank - 24 T.	71 to * - FX, FXS, FXEF, FXS-80, FXEF-80
	47	33355-36	PIN, starter crank gear - 5/16 dia.	71 to 76 - FX
	48	33358-36	CAM PLATE, starter crank gear	71 to 74 - FX
	49	33381-39	STARTER CLUTCH	71 to Early 75 - FX
	50	33391-36	SPRING, starter clutch	71 to * - FX, FXS, FXEF, FXS-80, FXEF-80
	51	33393-50	KEY, starter clutch (2) (1 - Late 73 & later)	71 to * - FX, FXS, FXEF, FXS-80, FXEF-80
	52	33396-39	LOCKWASHER, starter clutch	71 to * - FX, FXS, FXEF, FXS-80, FXEF-80
	53	33430-50	STARTER GEAR, mainshaft - 16 T.	71 to * - FX, FXS, FXEF, FXS-80, FXEF-80
	54	33438-50	BUSHING, mainshaft starter gear	71 to * - FX, FXS, FXEF, FXS-80, FXEF-80
	55	33560-75	STARTER CLUTCH	Late 75 to * - FX, FXS, FXEF, FXS-80, FXEF-80
	56	45830-48	PLUG, transmission starter cover	78 to * - FX, FXS, FXEF, FXS-80, FXEF-80

NOTE: Asterisk (*) indicates part is used for latest model year shown on cover.

RETAIL PRICE	INDEX NO.	PART NO.	N A M E	USED ON
NOTE: See "FOOT GEAR SHIFTER" group for foot lever linkage parts.				
	1	650	PLUG, cover	Late 79 to * — FX, FXS, FXEF, FXS-80, FXEF-80
	2	2618	BOLT, 5/16-18 x 1-1/2 hex. hd.	Late 79 to * — FX, FXS, FXEF, FXS-80, FXEF-80
	3	2672W	BOLT, 1/4-20 x 1-1/2 hex. hd.	Late 79 to * — FX, FXS, FXEF, FXS-80, FXEF-80
	4	2681W	BOLT, 1/4-20 x 2 hex. hd. (4)	Late 79 to * — FX, FXS, FXEF, FXS-80, FXEF-80
	5	3789	SCREW, 1/4-20 x 3/4 socket hd. (4)	Late 79 to * — FX, FXS, FXEF, FXS-80, FXEF-80
	6	3802W	BOLT, 1/4-20 x 7/8 hex. hd. (2)	Late 79 to * — FX, FXS, FXEF, FXS-80, FXEF-80
	7	3993	BOLT, 1/4-20 x 1-1/4 hex. hd. (2)	Late 79 to * — FX, FXS, FXEF, FXS-80, FXEF-80
	8	6701	WASHER, 3/8 x 13/16 x 1/16	Late 79 to * — FX, FXS, FXEF, FXS-80, FXEF-80
	9	6703	WASHER, 1/4 x 5/8 x 1/16 (5)	Late 79 to * — FX, FXS, FXEF, FXS-80, FXEF-80
	10	6750	WASHER, 43/64 x 55/64 x .007 (as req.)	Late 79 to * — FX, FXS, FXEF, FXS-80, FXEF-80
	11	6752	WASHER, 43/64 x 55/64 x .014 (as req.)	Late 79 to * — FX, FXS, FXEF, FXS-80, FXEF-80
	12	7036	LOCKWASHER, 1/4 (2)	Late 79 to * — FX, FXS, FXEF, FXS-80, FXEF-80
	13	7779W	LOCKNUT, 3/8-24 x 3/4 x 9/16 hex.	Late 79 to * — FX, FXS, FXEF, FXS-80, FXEF-80
	14	11016	RETAINING RING, shifter linkage rod (2); shifter finger (2)	Late 79 to * — FX, FXS, FXEF, FXS-80, FXEF-80
	15	11036	RETAINING RING, shifter pawls (2)	Late 79 to * — FX, FXS, FXEF, FXS-80, FXEF-80
	16	12010	OIL SEAL, shaft cover	Late 79 to * — FX, FXS, FXEF, FXS-80, FXEF-80
	17	25715-47	GREASE FITTING, shift lever	Late 79 to * — FX, FXS, FXEF, FXS-80, FXEF-80
	18	25811-11	WASHER, transmission neutral switch	Late 79 — FX, FXS, FXEF, FXS-80, FXEF-80
	19	32536-48	THRUST WASHER, shift lever (2)	Late 79 to * — FX, FXS, FXEF, FXS-80, FXEF-80
	20	33165-79	COVER, shifter (footshift) — with pawls	Late 79 to * — FX, FXS, FXEF, FXS-80, FXEF-80
	21	33166-79	COVER, shifter (footshift) (painted) — with pawls	Late 79 to * — FXS, FXS-80
	22	33167-79	COVER, only — (footshift)	Late 79 to * — FX, FXS, FXEF, FXS-80, FXEF-80
		33171-79	SHIFTER COVER ASSEMBLY (footshift) — 4 speed	Late 79 to * — FX, FXS, FXEF, FXS-80, FXEF-80
		33172-79	SHIFTER COVER ASSEMBLY (footshift) — 4 speed (painted)	Late 79 to * — FXS, FXS-80
	23	33174-79	COVER, shifter shaft	Late 79 to * — FX, FXS, FXEF, FXS-80, FXEF-80
	24	33176-79	COVER, shifter shaft (painted)	Late 79 to * — FXS, FXS-80
	25	33185-79	SHIFTER ROD ASSEMBLY	Late 79 to * — FX, FXS, FXEF, FXS-80, FXEF-80
	26	33187-79	SPACER, shift lever	Late 79 to * — FX, FXS, FXEF, FXS-80, FXEF-80
	27	33188-79	PLUNGER BODY, cam follower	Late 79 to * — FX, FXS, FXEF, FXS-80, FXEF-80
	28	33196-79	GASKET, shaft cover	Late 79 to * — FX, FXS, FXEF, FXS-80, FXEF-80
	29	33197-79	LOCK, plunger body bolt	Late 79 to * — FX, FXS, FXEF, FXS-80, FXEF-80
	30	33198-79	BUSHING, neutral switch	Late 79 to * — FX, FXS, FXEF, FXS-80, FXEF-80
	31	33199-79	SPRING, shifter pawls	Late 79 to * — FX, FXS, FXEF, FXS-80, FXEF-80
	32	33201-79	PAWL CARRIER SPRING (2)	Late 79 to * — FX, FXS, FXEF, FXS-80, FXEF-80
	33	33204-79	SPRING, shifter cam follower	Late 79 to * — FX, FXS, FXEF, FXS-80, FXEF-80
	34	33901-79	TRANSMISSION NEUTRAL SWITCH	Late 79 to * — FX, FXS, FXEF, FXS-80, FXEF-80
	35	34020-79	SHIFTER CAM ASSEMBLY	Late 79 to * — FX, FXS, FXEF, FXS-80, FXEF-80
	36	34036-36	OIL SEAL, shifter cam shaft	Late 79 to * — FX, FXS, FXEF, FXS-80, FXEF-80
	37	34040-52	RETAINING RING, shifter cam	Late 79 to * — FX, FXS, FXEF, FXS-80, FXEF-80
	38	34062-52	SHIFTER CAM FOLLOWER	Late 79 to * — FX, FXS, FXEF, FXS-80, FXEF-80
	39	34145-76	FORK SHAFT	Late 79 to * — FX, FXS, FXEF, FXS-80, FXEF-80
	40	34158-36	SHIFTER FORK, mainshaft	Late 79 to * — FX, FXS, FXEF, FXS-80, FXEF-80
	41	34159-36	SHIFTER FORK, countershaft	Late 79 to * — FX, FXS, FXEF, FXS-80, FXEF-80
	42	34168-52	ROLLER, shifter finger (2)	Late 79 to * — FX, FXS, FXEF, FXS-80, FXEF-80
	43	34179-33	NUT, bushing (2)	Late 79 to * — FX, FXS, FXEF, FXS-80, FXEF-80
	44	34180-33	LOCKWASHER, bushing (2)	Late 79 to * — FX, FXS, FXEF, FXS-80, FXEF-80
	45	34184-79	SHIFTER FINGER, only (2)	Late 79 to * — FX, FXS, FXEF, FXS-80, FXEF-80
	46	34461-72	SPACER, shifter pawl	Late 79 to * — FX, FXS, FXEF, FXS-80, FXEF-80
	47	34476-72	SHIFTER PAWL (2)	Late 79 to * — FX, FXS, FXEF, FXS-80, FXEF-80
	48	34494-74B	PAWL CARRIER	Late 79 to * — FX, FXS, FXEF, FXS-80, FXEF-80
	49	34517-79	SHIFTER PAWL STOP, rear	Late 79 to * — FX, FXS, FXEF, FXS-80, FXEF-80
	50	34518-79	SHIFTER PAWL STOP, front	Late 79 to * — FX, FXS, FXEF, FXS-80, FXEF-80

NOTE: Asterisk (*) indicates part is used for latest model year shown on cover.



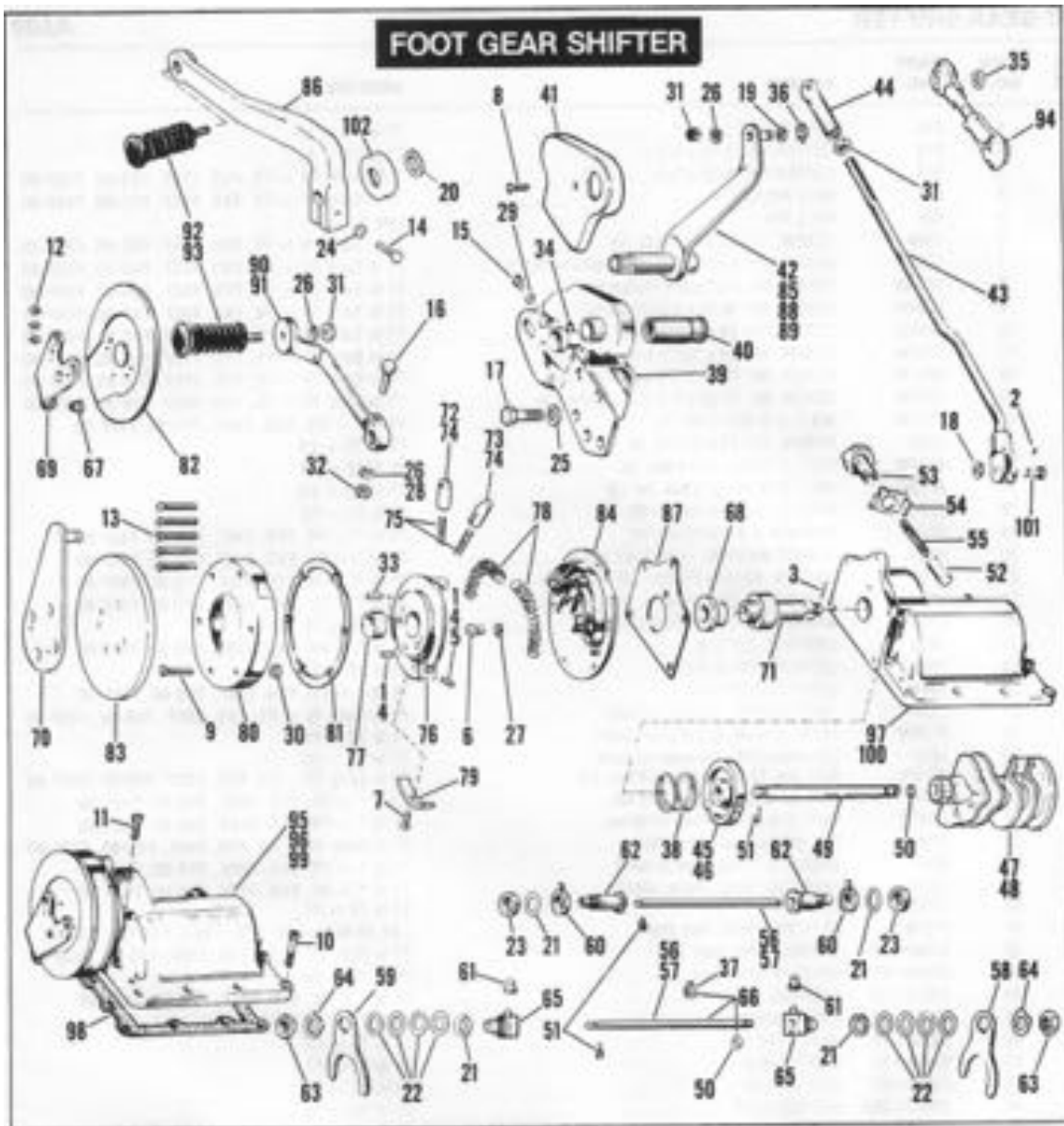
RETAIL PRICE	INDEX NO.	PART NO.	N A M E	USED ON
	51	34652-79	SHAFT, shifter lever	Late 79 to * — FX, FXS, FXEF, FXS-80, FXEF-80
	52	34655-79	SHIFTER LEVER, complete — with fitting and pins	Late 79 to * — FX, FXS, FXEF, FXS-80, FXEF-80
	53	34656-79	SHIFT LEVER, only	Late 79 to * — FX, FXS, FXEF, FXS-80, FXEF-80
	54	34658-79	PIN, shift lever (2), shift linkage (1)	Late 79 to * — FX, FXS, FXEF, FXS-80, FXEF-80
	55	34659-79	ROD, shifter linkage	Late 79 to * — FX, FXS, FXEF, FXS-80, FXEF-80
	56	34824-79	GASKET, shifter cover	Late 79 to * — FX, FXS, FXEF, FXS-80, FXEF-80
	57	35336-74	THRUST WASHER, shifter cam	Late 79 to * — FX, FXS, FXEF, FXS-80, FXEF-80



NOTE: Asterisk (*) indicates part is used for latest model year shown on cover.



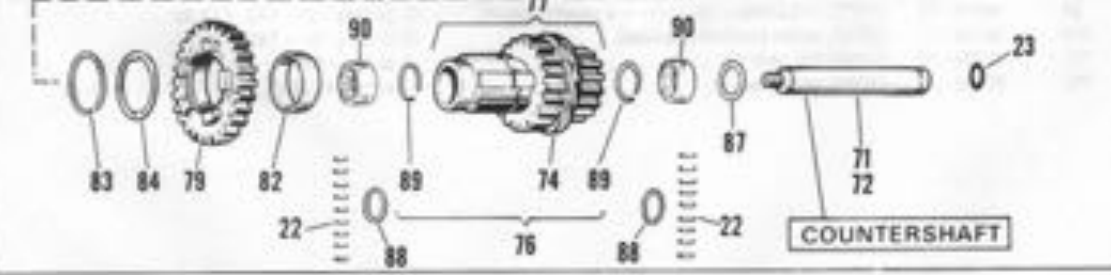
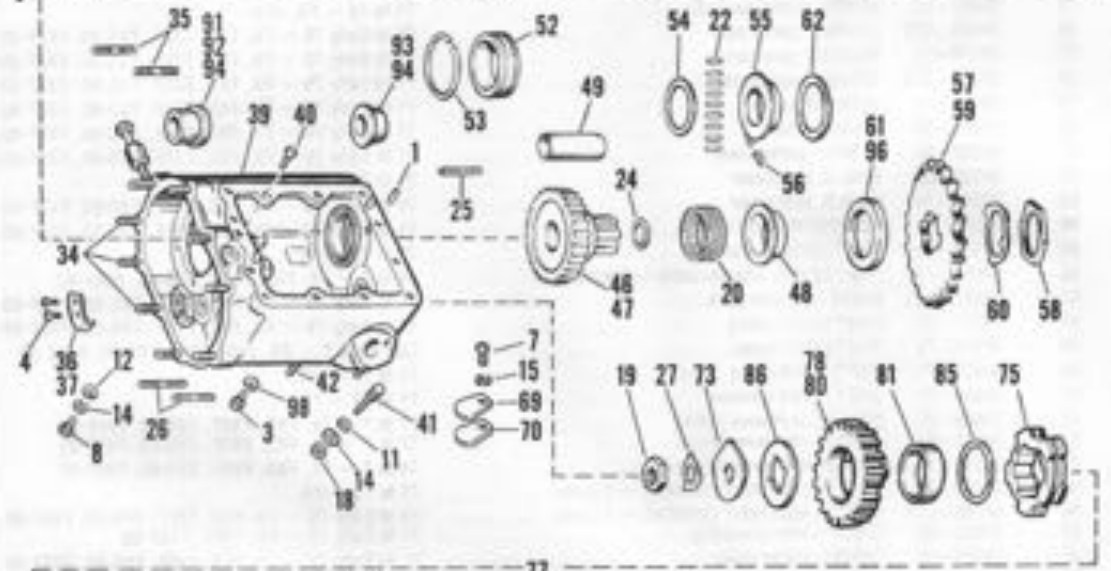
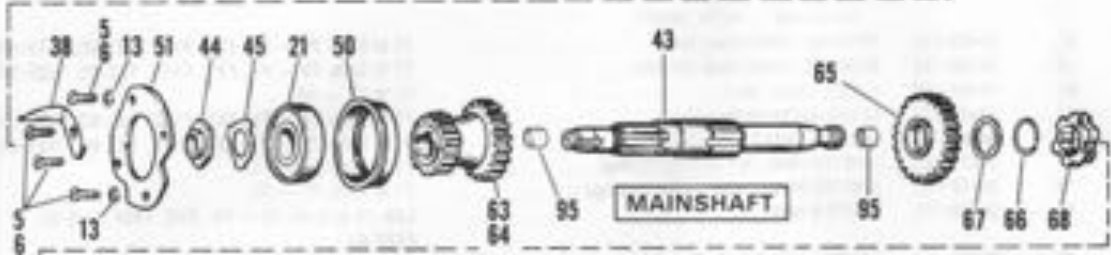
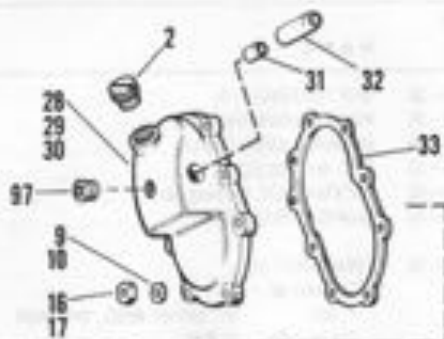
RETAIL PRICE	INDEX NO.	PART NO.	N A M E	USED ON
	1	216	ROLL PIN (2)	71 to 73 — FX
	2	515	COTTER PIN, 1/16 x 1/2	71 to 73 — FX
	3	534	COTTER PIN, 3/32 x 5/8	71 to Early 79 — FX, FXS, FXEF, FXS-80, FXEF-80
	4	623	ROLL PIN (2)	74 to Early 79 — FX, FXS, FXEF, FXS-80, FXEF-80
	5	625	ROLL PIN	Late 75 — FX
	6	1369	SCREW, 1/4-20 x 1 1/16 fl. hd.	71 to Early 79 — FX, FXS, FXEF, FXS-80, FXEF-80
	7	1608	SCREW, No. 6-32 x 7/16 csk. Posidriv flat hd.	71 to Early 79 — FX, FXS, FXEF, FXS-80, FXEF-80
	8	1719W	SCREW, No. 8-32 x 5/8 Phillips hd.	71 to Early 79 — FX, FXS, FXEF, FXS-80, FXEF-80
	9	1764W	SCREW, No. 10-24 x 1-5/32 socket hd. (6)	71 to Early 79 — FX, FXS, FXEF, FXS-80, FXEF-80
	10	1765W	SCREW, 1/4-24 x 2 socket hd. (2)	71 to Early 79 — FX, FXS, FXEF, FXS-80, FXEF-80
	11	1766W	SCREW, 1/4-24 x 1 1/16 socket hd. (8)	71 to Early 79 — FX, FXS, FXEF, FXS-80, FXEF-80
	12	1767W	SCREW, No. 10-24 x 1/2 csk. hd. (3)	71 to Early 79 — FX, FXS, FXEF, FXS-80, FXEF-80
	13	1772W	SCREW, No. 10-24 x 1-3/8 socket hd. (5)	71 to Early 79 — FX, FXS, FXEF, FXS-80, FXEF-80
	14	2551W	BOLT, 1/4-20 x 1 hex. hd.	74 to * — FX, FXS, FXEF, FXS-80, FXEF-80
	15	2597	SCREW, 1/4-24 x 3/8 rd. hd.	71 to 73 — FX
	16	4337W	BOLT, 3/8-24 x 1-1/4 hex. hd.	71 & 72 — FX
	17	4713W	BOLT, 3/8-16 x 3/4 hex. hd. (3)	71 to 73 — FX
	18	6229W	WASHER, 1/4 x 7/16 x 1/32	71 & 72 — FX
	19	6375B	WASHER, 3/8 x 9/16 x 1/32	71 to * — FX, FXS, FXEF, FXS-80, FXEF-80
	20	6409	THRUST WASHER, 1/2 x 3/4 x 1/32	74 to * — FX, FXS, FXEF, FXS-80, FXEF-80
	21	6750	WASHER, 43/64 x 55/64 x .007 (as req.)	71 to * — FX, FXS, FXEF, FXS-80, FXEF-80
	22	6752	WASHER, 43/64 x 55/64 x .014 (as req.)	71 to * — FX, FXS, FXEF, FXS-80, FXEF-80
	23	6754	WASHER, 21/32 x 55/64 x 3/32 (2)	71 to Early 76 — FX
	24	7036	LOCKWASHER, 1/4	74 to * — FX, FXS, FXEF, FXS-80, FXEF-80
	25	7038	LOCKWASHER, 3/8 (2)	71 to 73 — FX
	26	7041	LOCKWASHER, 5/16	71 to * — FX, FXS, FXEF, FXS-80, FXEF-80
	27	7124	LOCKWASHER, 1/4 internal tooth	71 to Early 79 — FX, FXS, FXEF, FXS-80, FXEF-80
	28	7130W	LOCKWASHER, 3/8 internal tooth	71 to 73 — FX
	29	7230	LOCKWASHER, 1/4 external tooth	71 to 74 — FX
	30	7620W	NUT, No. 10-24 x 1/8 x 3/8 hex. (6)	71 to Early 79 — FX, FXS, FXEF, FXS-80, FXEF-80
	31	7744	NUT, 5/16-24 x 3/16 x 1/2 hex.	71 to * — FX, FXS, FXEF, FXS-80, FXEF-80
	32	7800W	NUT, 3/8-24 x 21/64 x 5/16 hex.	71 to * — FX, FXS, FXEF, FXS-80, FXEF-80
	33	9106A	PIN, shifter pawl carrier (2)	71 to Early 79 — FX, FXS, FXEF, FXS-80, FXEF-80
	34	9851	GREASE FITTING, lever bracket	71 to * — FX, FXS, FXEF, FXS-80, FXEF-80
	35	11016	RETAINING RING, shifter rod (2)	74 to * — FX, FXS, FXEF, FXS-80, FXEF-80
	36	11031	RETAINING RING	71 to 73 — FX
	37	11036	RETAINING RING, fork shaft	Late 76 to * — FX, FXS, FXEF, FXS-80, FXEF-80
	38	33390—76	SPRING, shifter gear	71 to Early 79 — FX, FXS, FXEF, FXS-80, FXEF-80
	39	33630—71	BRACKET, shift lever	71 to 73 — FX
	40	33638—70	BUSHING, shift lever	71 to * — FX, FXS, FXEF, FXS-80, FXEF-80
	41	33644—71	COVER, shift lever	71 to 73 — FX
	42	33660—70	SHIFT LEVER	71 to 73 — FX
	43	33851—52	SHIFTER ROD	71 to 73 — FX
	44	33871—67	END, shift rod	71 to 73 — FX
	45	33960—36A	SHIFTER GEAR	71 to 74 — FX
	46	33960—74	SHIFTER GEAR	75 to Early 79 — FX, FXS, FXEF, FXS-80, FXEF-80
	47	34006—74	SHIFTER CAM (casting)	75 to Early 79 — FX, FXS, FXEF, FXS-80, FXEF-80
	48	34019—73	SHIFTER CAM (casting)	71 to 74 — FX
	49	34031—41	SHAFT, shifter cam	71 to Early 79 — FX, FXS, FXEF, FXS-80, FXEF-80
	50	34036—36	OIL SEAL, shifter cam shaft	71 to Early 80 — FX, FXS, FXEF, FXS-80, FXEF-80
		34036—80	OIL SEAL, shifter cam shaft	Late 80 to * — FX, FXS, FXEF, FXS-80, FXEF-80
	51	34050—36	LOCK SCREW, shifter cam shaft	71 to Early 76 — FX
	52	34062—52	CAM FOLLOWER	71 to * — FX, FXS, FXEF, FXS-80, FXEF-80
	53	34064—52	RETAINER, cam follower	71 to Early 79 — FX, FXS, FXEF, FXS-80, FXEF-80
	54	34066—52	WASHER, cam follower retainer	71 to Early 79 — FX, FXS, FXEF, FXS-80, FXEF-80
	55	34068—52	SPRING, cam follower	71 to Early 79 — FX, FXS, FXEF, FXS-80, FXEF-80
	56	34140—36	FORK SHAFT	71 to Early 76 — FX
	57	34145—76	FORK SHAFT	Late 76 to Early 80 — FX, FXS, FXEF, FXS-80, FXEF-80
		34145—80	FORK SHAFT	Late 80 to * — FX, FXS, FXEF, FXS-80, FXEF-80
	58	34158—36	SHIFTER FORK, mainshaft	71 to * — FX, FXS, FXEF, FXS-80, FXEF-80
	59	34159—36	SHIFTER FORK, countershaft (4 speed)	71 to * — FX, FXS, FXEF, FXS-80, FXEF-80



RETAIL PRICE	INDEX NO.	PART NO.	N A M E	USED ON
	60	34165-36	SHIFTER FINGER (2)	71 to Early 76 - FX
	61	34168-39	ROLLER, shifter finger (2)	71 to Early 79 - FX, FXS, FXEF, FXS-80, FXEF-80
	62	34175-36	BUSHING, shifter fork (2)	71 to Early 76 - FX
	63	34179-33	NUT, bushing (2)	71 to * - FX, FXS, FXEF, FXS-80, FXEF-80
	64	34180-33	LOCKWASHER, bushing (2)	71 to * - FX, FXS, FXEF, FXS-80, FXEF-80
	65	34182-76	SHIFTER FINGER (2)	Late 76 to Early 79 - FX, FXS, FXEF, FXS-80, FXEF-80
	66	34186-76	FORK SHAFT KIT	71 to Early 76 - FX
			Consists of:	
		11036	RETAINING RING, fork shaft	
		34036-80	O-RING	
		34145-80	FORK SHAFT	
	67	34428-52	BUSHING, shifter shaft lever	71 to Early 79 - FX, FXS, FXEF, FXS-80, FXEF-80
	68	34435-52	BUSHING, shifter shaft (bronze)	71 to Early 79 - FX, FXS, FXEF, FXS-80, FXEF-80
	69	34447-52	LEVER, shifter shaft	71 to 73 - FX
	70	34447-74	LEVER, shifter shaft	74 to Early 79 - FX, FXS, FXEF, FXS-80, FXEF-80
	71	34453-52	SHIFTER SHAFT	71 to Early 79 - FX, FXS, FXEF, FXS-80, FXEF-80
	72	34477-53	SHIFTER PAWL, left (without spring)	71 to Early 75 - FX
	73	34478-53	SHIFTER PAWL, right (without spring)	71 to Early 75 - FX
	74	34478-75	SHIFTER PAWL (2)	Late 75 to Early 79 - FX, FXS, FXEF, FXS-80, FXEF-80
	75	34482-53	SPRING, shifter pawl (2)	71 to 78 - FX, FXS
	76	34486-52B	CARRIER, shifter pawl	71 to Early 79 - FX, FXS, FXEF, FXS-80, FXEF-80
	77	34498-52	BUSHING, pawl carrier	71 to Early 79 - FX, FXS, FXEF, FXS-80, FXEF-80
	78	34500-52A	SPRING, pawl carrier (2)	71 to Early 79 - FX, FXS, FXEF, FXS-80, FXEF-80
	79	34525-54	RETAINER, pawl	71 to Early 79 - FX, FXS, FXEF, FXS-80, FXEF-80
	80	34551-52	COVER, shifter	71 to Early 79 - FX, FXS, FXEF, FXS-80, FXEF-80
	81	34552-52	GASKET, shifter cover	71 to Early 79 - FX, FXS, FXEF, FXS-80, FXEF-80
	82	34555-52	SHIELD, dust cover	71 to 73 - FX
	83	34556-74	SHIELD, dust cover	74 to Early 79 - FX, FXS, FXEF, FXS-80, FXEF-80
	84	34560-52	ADAPTER PLATE, shifter	71 to Early 79 - FX, FXS, FXEF, FXS-80, FXEF-80
	85	34564-71	SHIFT LEVER, chrome	71 to 73 - FX
	86	34564-74A	SHIFT LEVER, without rubber - (chrome)	74 to * - FX, FXS, FXEF, FXS-80, FXEF-80
	87	34565-52	GASKET, adapter plate	71 to Early 79 - FX, FXS, FXEF, FXS-80, FXEF-80
	88	34574-74	SHIFT LEVER (zinc)	74 to Early 79 - FX, FXS, FXEF, FXS-80, FXEF-80
	89	34574-79	SHIFT LEVER (zinc)	Late 79 to * - FX, FXS, FXEF, FXS-80, FXEF-80
	90	34603-71	SHIFT LEVER (zinc)	71 to 73 - FX
	91	34604-71	SHIFT LEVER (chrome)	71 to 73 - FX
	92	34609-65	RUBBER, shift lever (white)	71 to * - FX, FXS, FXEF, FXS-80, FXEF-80
	93	34611-65	RUBBER, shift lever (black)	71 to * - FX, FXS, FXEF, FXS-80, FXEF-80
	94	34614-74	SHIFTER ROD, with ball joints	74 to * - FX, FXS, FXEF, FXS-80, FXEF-80
	95	34799-85	SHIFTER ASSEMBLY (footshift) - 4 speed	71 to 73 - FX
	96	34799-74A	SHIFTER ASSEMBLY (footshift) - 4 speed	74 to Early 79 - FX, FXS, FXEF, FXS-80, FXEF-80
	97	34803-59	COVER, shifter (footshift)	71 to Early 79 - FX, FXEF, FXEF-80
	98	34824-36	GASKET, shifter cover	71 to Early 79 - FX, FXS, FXEF, FXS-80, FXEF-80
	99	34825-77	SHIFTER ASSEMBLY (footshift) - 4 speed (painted)	77 to Early 79 - FXS, FXS-80
	100	34846-77	COVER, shifter (footshift) (painted)	77 to Early 79 - FXS, FXS-80
	101	42289-30	CLEVIS PIN, shift rod	71 to 73 - FX
	102	60490-74	COVER, shift lever	74 to * - FX, FXS, FXEF, FXS-80, FXEF-80

NOTE: Asterisk (*) indicates part is used for latest model year shown on cover.

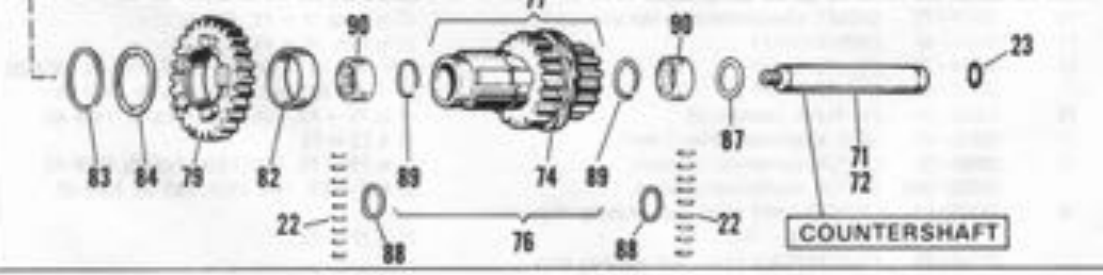
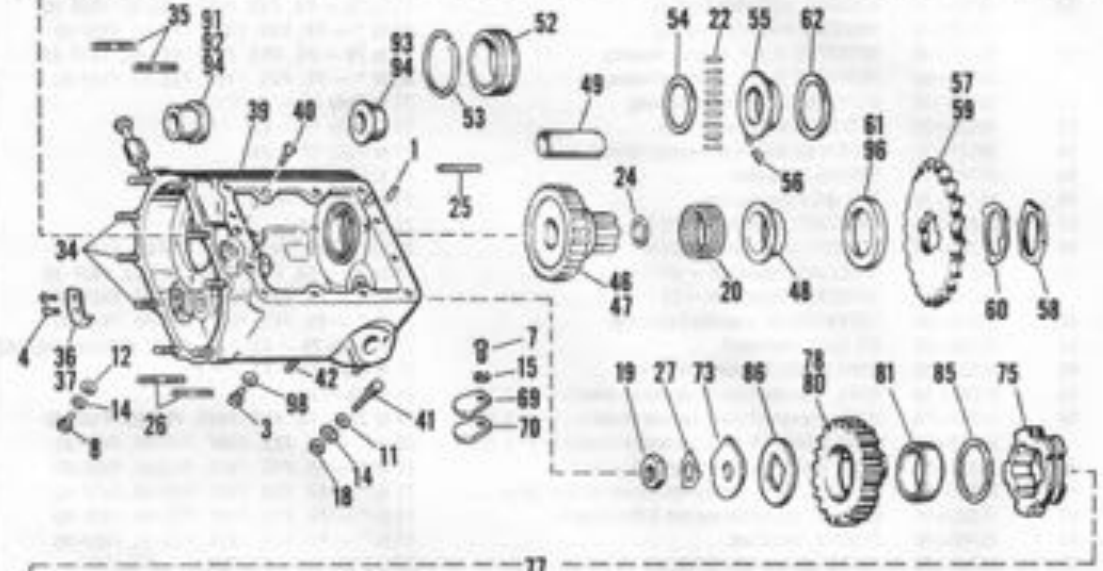
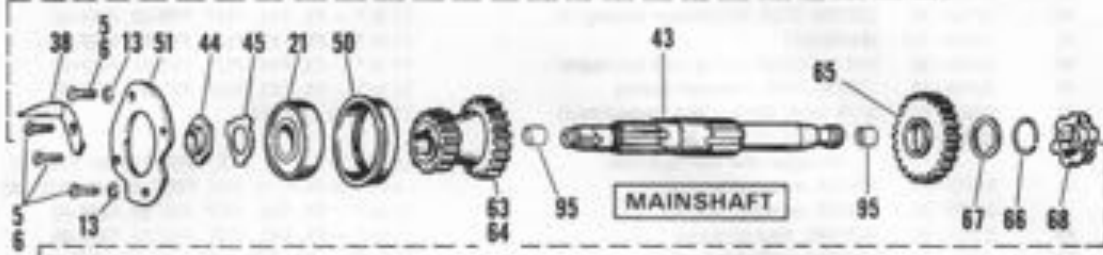
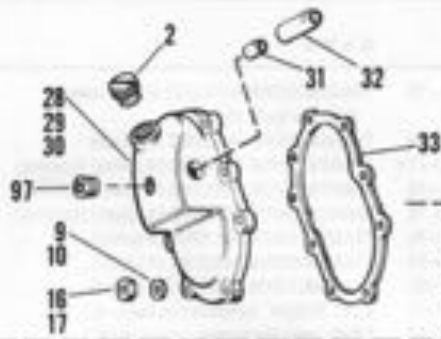
TRANSMISSION



RETAIL PRICE	INDEX NO.	PART NO.	NAME	USED ON
	1	375	DOWEL PIN (2)	71 to * — FX, FXS, FXEF, FXS-80, FXEF-80
	2	701A	FILLER PLUG, transmission cover	71 to * — FX, FXS, FXEF, FXS-80, FXEF-80
	3	707	DRAIN PLUG	71 to * — FX, FXS, FXEF, FXS-80, FXEF-80
	4	1864B	SCREW, 1/4-24 x 5/8 ctk. hd. (2)	71 to * — FX, FXS, FXEF, FXS-80, FXEF-80
	5	2333W	SCREW, 1/4-24 x 13/16 ctk. hd. (4)	71 to 79 — FX, FXS, FXEF, FXS-80, FXEF-80
	6	2607	SCREW, 1/4-20 x 3/4 Pozidriv pan hd. (4)	80 to * — FX, FXS, FXEF, FXS-80, FXEF-80
	7	2664	SCREW, No. 10-24 x 7/16 Pozidriv hd. (2)	73 to Early 77 — FX
	8	2879W	BOLT, 3/8-16 x 1 hex. hd.	71 to * — FX, FXS, FXEF, FXS-80, FXEF-80
	9	6002	WASHER, 5/16 x 5/8 x 1/16 (black) (9)	77 to * — FXS, FXS-80
	10	6316W	WASHER, 5/16 x 5/8 x 1/16 (9)	71 to * — FX, FXS, FXEF, FXS-80, FXEF-80
	11	6400HB	WASHER, 3/8 x 1 x 3/32 (4)	71 to * — FX, FXS, FXEF, FXS-80, FXEF-80
	12	6701	WASHER, 3/8 x 13/16 x 1/16	71 to * — FX, FXS, FXEF, FXS-80, FXEF-80
	13	7036	LOCKWASHER, 1/4 (4)	80 to * — FX, FXS, FXEF, FXS-80, FXEF-80
	14	7038	LOCKWASHER, 3/8 (5)	71 to * — FX, FXS, FXEF, FXS-80, FXEF-80
	15	7069	LOCKWASHER, No. 10	73 to Early 77 — FX, FXS
	16	7509	NUT, 5/16-24 x 1/4 x 1/2 hex. (black) (9)	77 to * — FXS, FXS-80
	17	7753	NUT, 5/16-24 x 1/4 x 1/2 hex. (9)	71 to * — FX, FXS, FXEF, FXS-80, FXEF-80
	18	7800W	NUT, 3/8-24 x 21/64 x 9/16 hex. (4)	71 to * — FX, FXS, FXEF, FXS-80, FXEF-80
	19	7911	NUT, 1/2-20 x 7/32 x 7/8 hex.	71 to 79 — FX, FXS, FXEF, FXS-80, FXEF-80
	20	8905	NEEDLE BEARING, mainshaft	Late 77 to * — FX, FXS, FXEF, FXS-80, FXEF-80
	21	9020	BALL BEARING, mainshaft	71 to * — FX, FXS, FXEF, FXS-80, FXEF-80
	22	9084	ROLLER, main drive gear & countershaft, .125 x .615 — std. (44)	71 to Early 77 — FX
		9085	ROLLER, main drive gear & countershaft — .0004 O.S. (44)	71 to Early 77 — FX
		9086	ROLLER, main drive gear & countershaft — .0008 O.S. (44)	71 to Early 77 — FX
	23	11115	O-RING, countershaft	71 to * — FX, FXS, FXEF, FXS-80, FXEF-80
	24	12022	OIL SEAL, main drive gear	71 to * — FX, FXS, FXEF, FXS-80, FXEF-80
	25	18830-54	STUD, 3/8-24 x 2-5/16 (4) (2 — 80 & later)	71 to * — FX, FXS, FXEF, FXS-80, FXEF-80
	26	24818-52	STUD, 5/16-18-5/16-24 x 1-11/16 lg. (3)	71 to * — FX, FXS, FXEF, FXS-80, FXEF-80
		33014-74E	TRANSMISSION, 4 speed (footshift)	
			(electric start 71 to 77)	71 to * — FX
		33016-79A	TRANSMISSION, 4 speed (footshift) (electric start)	78 to * — FX, FXEF, FXEF-80
			NOTE: Must be installed with the following parts to fit 1978 to Early 1979 models:	
		2551W	BOLT, starter shaft housing	
		2872W	BOLT, starter shaft housing	
		7036	LOCKWASHER, starter shaft housing, 1/4 (2)	
		31572-79	STARTER SHAFT HOUSING, with bearing	
		62576-79	BRACKET, oil tank mounting	
		33020-79A	TRANSMISSION, 4 speed (footshift) (painted)	77 to * — FXS, FXS-80
			NOTE: Must be installed with the following parts to fit 1977 to Early 1979 models:	
		2551W	BOLT, starter shaft housing	
		2872W	BOLT, starter shaft housing	
		7036	LOCKWASHER, starter shaft housing, 1/4 (2)	
		31572-79	STARTER SHAFT HOUSING, with bearing	
		62576-79	BRACKET, oil tank mounting	
		33031-65	TRANSMISSION GASKET SET	71 to Early 79 — FX, FXS, FXEF, FXS-80, FXEF-80
	27	33082-16	LOCKWASHER, countershaft nut	71 to 79 — FX, FXS, FXEF, FXS-80, FXEF-80
	28	33160-77	COVER, transmission (with kick starter hole) (painted)	77 — FXS
	29	33268-78	COVER, transmission (electric start)	78 to * — FX, FXS, FXEF, FXS-80, FXEF-80
	30	33277-36A	COVER, transmission (with kick starter hole)	71 to 78 — FX
	31	33290-38	LOWER BUSHING, transmission cover	71 to * — FX, FXS, FXEF, FXS-80, FXEF-80
	32	33291-36	UPPER BUSHING, transmission cover	71 to * — FX, FXS, FXEF, FXS-80, FXEF-80
	33	33295-36	GASKET, transmission cover	71 to * — FX, FXS, FXEF, FXS-80, FXEF-80
	34	33298-65	STUD, 5/16-18-5/16-24 x 1-1/2 (4)	71 to * — FX, FXS, FXEF, FXS-80, FXEF-80
	35	33299-65	STUD, 5/16-18-5/16-24 x 1-3/4 (2)	71 to * — FX, FXS, FXEF, FXS-80, FXEF-80
	36	33353-36	BUMPER PLATE, starter crank	71 to Early 78 — FX, FXS
	37	33353-78	BUMPER PLATE, starter crank	Late 78 to * — FX, FXS, FXEF, FXS-80, FXEF-80
	38	33429-39	OIL DEFLECTOR, mainshaft starter gear	71 to 79 — FX, FXS, FXEF, FXS-80, FXEF-80
		33429-80	OIL DEFLECTOR, mainshaft starter gear	80 to * — FX, FXS, FXEF, FXS-80, FXEF-80

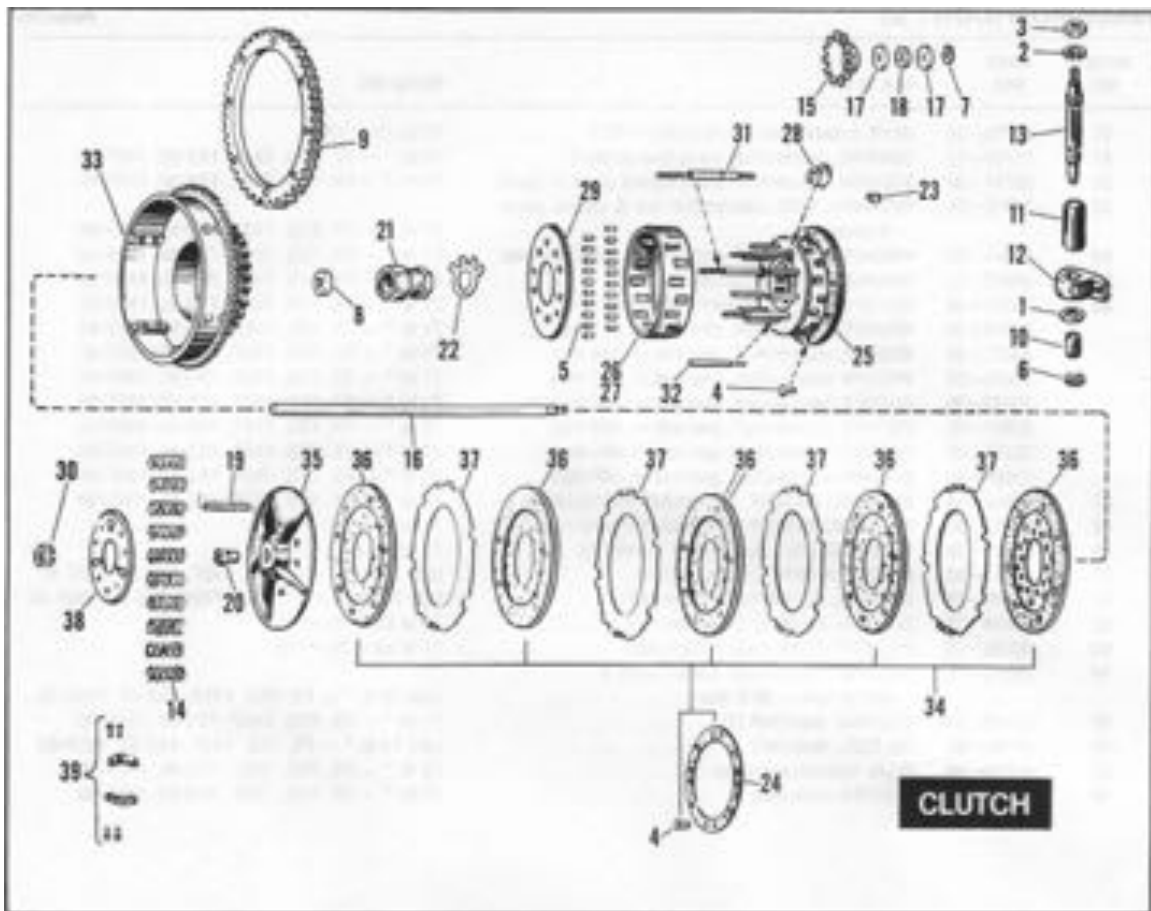
RETAIL PRICE	INDEX NO.	PART NO.	NAME	USED ON
	39	34704-78	TRANSMISSION HOUSING KIT (4 speed) (1971 to Early 1978)	71 to Early 78 - FX
		34706-78	TRANSMISSION HOUSING (4 speed)	Mid 78 - FX
		34708-77A	TRANSMISSION HOUSING (4 speed) (painted)	77 to Early 78 - FXS
		34708-78	TRANSMISSION HOUSING (4 speed) (painted)	Late 78 to Early 79 - FXS
		34708-79	TRANSMISSION HOUSING (4 speed) (painted)	Late 79 - FXS, FXS-80
		34711-78	TRANSMISSION HOUSING (4 speed)	Late 78 to Early 79 - FX, FXEF
		34711-79	TRANSMISSION HOUSING (4 speed)	Late 79 - FX, FXEF, FXEF-80
		34711-80	TRANSMISSION HOUSING (4 speed)	80 to * - FX, FXS, FXEF, FXS-80, FXEF-80
	40	34720-56	VENT SCREW, transmission housing	71 to 79 - FX, FXS, FXEF, FXS-80, FXEF-80
	41	34723-47	STUD, gear box bottom, oversize (4)	71 to * - FX, FXS, FXEF, FXS-80, FXEF-80
	42	34724-36	BOTTOM STUD, transmission housing (4)	71 to * - FX, FXS, FXEF, FXS-80, FXEF-80
	43	35039-70A	MAINSHAFT	71 to * - FX, FXS, FXEF, FXS-80, FXEF-80
	44	35046-36	NUT, mainshaft bearing, with lockwasher	71 to * - FX, FXS, FXEF, FXS-80, FXEF-80
	45	35050-40	LOCKWASHER, mainshaft bearing	71 to * - FX, FXS, FXEF, FXS-80, FXEF-80
	46	35065-65B	MAIN DRIVE GEAR - 26 T. (loose rollers)	71 to Early 77 - FX
	47	35067-77	MAIN DRIVE GEAR - 26 T. (with caged roller bearing & seal)	Late 77 to * - FX, FXS, FXEF, FXS-80, FXEF-80
	48	35070-77	SPACER, mainshaft bearing	Late 77 to 79 - FX, FXS, FXEF, FXS-80, FXEF-80
		35070-80	SPACER, mainshaft bearing	80 to * - FX, FXS, FXEF, FXS-80, FXEF-80
	49	35094-85	BUSHING, main drive gear	71 to * - FX, FXS, FXEF, FXS-80, FXEF-80
	50	35100-36	HOUSING, mainshaft bearing	71 to 79 - FX, FXS, FXEF, FXS-80, FXEF-80
		35100-79	HOUSING, mainshaft bearing	80 to * - FX, FXS, FXEF, FXS-80, FXEF-80
	51	35111-36	RETAINING PLATE, bearing housing	71 to 79 - FX, FXS, FXEF, FXS-80, FXEF-80
		35111-80	RETAINING PLATE, bearing housing	80 to * - FX, FXS, FXEF, FXS-80, FXEF-80
	52	35125-37	OUTER RACE, mainshaft bearing	71 to Early 77 - FX
	53	35129-36	RETAINING RING, outer race	71 to Early 77 - FX
	54	35131-36	RETAINING WASHER, bearing roller	71 to Early 77 - FX
	55	35171-37	SPACER, main gear	71 to Early 77 - FX
	56	35175-38	KEY, drive gear spacer	71 to Early 77 - FX
	57	35203-36	SPROCKET, mainshaft - 22 T.	71 & 72 - FX
	58	35211-36	LOCKNUT, mainshaft sprocket	71 to * - FX, FXS, FXEF, FXS-80, FXEF-80
	59	35212-73	SPROCKET, mainshaft - 23 T.	73 to 79 - FX, FXS, FXEF, FXS-80, FXEF-80
		35212-80	SPROCKET, mainshaft - 23 T.	80 to * - FX, FXS, FXEF, FXS-80, FXEF-80
	60	35216-36	LOCKWASHER, mainshaft sprocket	71 to * - FX, FXS, FXEF, FXS-80, FXEF-80
	61	35230-39	OIL SEAL, mainshaft	71 to Early 79 - FX, FXS, FXEF, FXS-80, FXEF-80
	62	35231-36	CORK WASHER, mainshaft oil seal	71 to Early 77 - FX
	63	35282-59	GEAR, mainshaft low & second (4 speed) - 15 & 20 T.	71 to 73 - FX
	64	35282-74	GEAR, mainshaft low & second (4 speed) - 17 & 20 T.	74 to 79 - FX, FXS, FXEF, FXS-80, FXEF-80
		35282-79	GEAR, mainshaft low & second (4 speed) - 17 & 25 T.	80 to * - FX, FXS, FXEF, FXS-80, FXEF-80
	65	35306-59	GEAR, mainshaft third (4 speed) - 24 T.	71 to * - FX, FXS, FXEF, FXS-80, FXEF-80
	66	35337-36	RETAINING RING, mainshaft second & third gears	71 to * - FX, FXS, FXEF, FXS-80, FXEF-80
	67	35365-36	WASHER, mainshaft second & third gears	71 to * - FX, FXS, FXEF, FXS-80, FXEF-80
	68	35440-38	CLUTCH, mainshaft	71 to * - FX, FXS, FXEF, FXS-80, FXEF-80
	69	35606-73	PLATE, speedometer drive hole	73 to Early 77 - FX, FXS
	70	35607-73	GASKET, speedometer drive hole plate	73 to Early 77 - FX, FXS
	71	35614-85	COUNTERSHAFT	71 to Early 76 - FX
	72	35614-76	COUNTERSHAFT	Late 76 to 79 - FX, FXS, FXEF, FXS-80, FXEF-80
		35614-80	COUNTERSHAFT	80 to * - FX, FXS, FXEF, FXS-80, FXEF-80
	73	35630-36	END PLATE, countershaft	71 to 79 - FX, FXS, FXEF, FXS-80, FXEF-80
	74	35635-99	GEAR, speedometer drive (7 teeth)	71 & 72 - FX
	75	35665-36	CLUTCH, countershaft (4 speed)	71 to 79 - FX, FXS, FXEF, FXS-80, FXEF-80
		35665-36A	CLUTCH, countershaft (4 speed)	80 to * - FX, FXS, FXEF, FXS-80, FXEF-80
	76	35700-69	COUNTERSHAFT GEAR, with retaining rings (4 speed) - 15 & 17 T.	71 & 72 - FX
		35700-73	COUNTERSHAFT GEAR, with retaining rings (4 speed) - 15 & 17 T.	73 to Early 76 - FX
	77	35716-76	GEAR, countershaft - 15 & 17 T.	Late 76 to * - FX, FXS, FXEF, FXS-80, FXEF-80
	78	35717-74	GEAR, countershaft low - with bushing (4 speed) - 24 T.	74 to * - FX, FXS, FXEF, FXS-80, FXEF-80
	79	35751-36	GEAR, countershaft second (4 speed) - 21 T.	71 to 79 - FX, FXS, FXEF, FXS-80, FXEF-80
		35751-79	GEAR, countershaft second (4 speed) - 24 T.	80 to * - FX, FXS, FXEF, FXS-80, FXEF-80

TRANSMISSION



RETAIL PRICE	INDEX NO.	PART NO.	N A M E	USED ON
	80	35765-36	GEAR, countershaft low (4 speed) — 26 T.	71 to 73 — FX
	81	35789-36	BUSHING, countershaft low & reverse gears	71 to * — FX, FXS, FXEF, FXS-80, FXEF-80
	82	35791-36	BUSHING, countershaft low & second gears (4 speed)	71 to * — FX, FXS, FXEF, FXS-80, FXEF-80
	83	35810-36	RETAINING RING, countershaft low & second gears (4 speed)	71 to * — FX, FXS, FXEF, FXS-80, FXEF-80
	84	35811-36	WASHER, countershaft second & low gears (4 speed)	71 to * — FX, FXS, FXEF, FXS-80, FXEF-80
	85	35812-36	WASHER, low & reverse gears	71 to * — FX, FXS, FXEF, FXS-80, FXEF-80
	86	35875-36	SET OF WASHERS, countershaft — gear end	71 to * — FX, FXS, FXEF, FXS-80, FXEF-80
		35876-36	WASHER, countershaft, gear end — .074 thick	71 to * — FX, FXS, FXEF, FXS-80, FXEF-80
		35877-36	WASHER, countershaft, gear end — .078 thick	71 to * — FX, FXS, FXEF, FXS-80, FXEF-80
		35878-36	WASHER, countershaft, gear end — .082 thick	71 to * — FX, FXS, FXEF, FXS-80, FXEF-80
		35879-36	WASHER, countershaft, gear end — .085 thick	71 to * — FX, FXS, FXEF, FXS-80, FXEF-80
		35882-36	WASHER, countershaft, gear end — .090 thick	71 to * — FX, FXS, FXEF, FXS-80, FXEF-80
		35883-36	WASHER, countershaft, gear end — .095 thick	71 to * — FX, FXS, FXEF, FXS-80, FXEF-80
		35884-36	WASHER, countershaft, gear end — .100 thick	71 to * — FX, FXS, FXEF, FXS-80, FXEF-80
	87	35915-36	RETAINING WASHER, countershaft bearing (outer)	71 to * — FX, FXS, FXEF, FXS-80, FXEF-80
	88	35917-36	RETAINING WASHER, countershaft bearing (inner) (2)	71 to Early 76 — FX
	89	35920-36	RETAINING RING, countershaft bearing (2)	71 to Early 77 — FX
	90	35961-52	NEEDLE BEARING, countershaft (2)	Late 76 to * — FX, FXS, FXEF, FXS-80, FXEF-80
	91	36045-76	BUSHING, countershaft (starter side)	Late 76 to 79 — FX, FXS, FXEF, FXS-80, FXEF-80
	92	36046-36	BUSHING, countershaft (starter side)	71 to Early 76 — FX
	93	36048-36	BUSHING, countershaft (clutch side)	71 to Early 76 — FX
	94	36048-76	BUSHING, countershaft (clutch side) & (starter side — 80 & later)	Late 76 to * — FX, FXS, FXEF, FXS-80, FXEF-80
	95	37436-36	BUSHING, mainshaft (2)	71 to * — FX, FXS, FXEF, FXS-80, FXEF-80
	96	37741-67	OIL SEAL, mainshaft	Late 79 to * — FX, FXS, FXEF, FXS-80, FXEF-80
	97	45830-48	PLUG, transmission cover	78 to * — FX, FXS, FXEF, FXS-80, FXEF-80
	98	62702-52	WASHER, drain plug	71 to * — FX, FXS, FXEF, FXS-80, FXEF-80

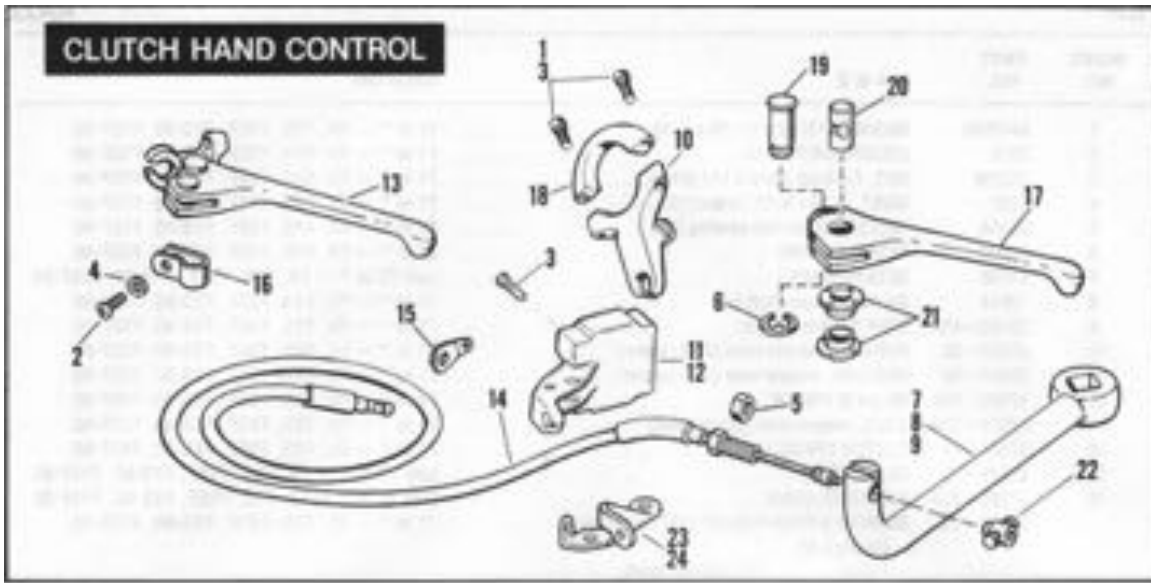
NOTE: Asterisk (*) indicates part is used for latest model year shown on cover.



RETAIL PRICE	INDEX NO.	PART NO.	N A M E	USED ON
	1	6443HW	WASHER, 13/32 x 11/16 x 1/16	71 to * - FX, FXS, FXEF, FXS-80, FXEF-80
	2	7039	LOCKWASHER, 7/16	71 to * - FX, FXS, FXEF, FXS-80, FXEF-80
	3	7837W	NUT, 7/16-20 x 3/8 x 11/16 hex	71 to * - FX, FXS, FXEF, FXS-80, FXEF-80
	4	8227	RIVET, 3/16 x 9/32 (brass) (9)	71 to * - FX, FXS, FXEF, FXS-80, FXEF-80
	5	9540A	ROLLER, clutch hub bearing (20)	71 to * - FX, FXS, FXEF, FXS-80, FXEF-80
	6	11000	RETAINING RING	71 to * - FX, FXS, FXEF, FXS-80, FXEF-80
	7	11098	RETAINING RING	Late 75 to * - FX, FXS, FXEF, FXS-80, FXEF-80
	8	12014	OIL SEAL, mainshaft nut	71 to * - FX, FXS, FXEF, FXS-80, FXEF-80
	9	33163-05A	STARTER RING GEAR	73 to * - FX, FXS, FXEF, FXS-80, FXEF-80
	10	33290-38	BUSHING, release lever shaft (lower)	71 to * - FX, FXS, FXEF, FXS-80, FXEF-80
	11	33291-36	BUSHING, release lever shaft (upper)	71 to * - FX, FXS, FXEF, FXS-80, FXEF-80
	12	37070-39A	RELEASE FINGER	71 to * - FX, FXS, FXEF, FXS-80, FXEF-80
	13	37074-38A	STUD, release lever (finger shaft)	71 to * - FX, FXS, FXEF, FXS-80, FXEF-80
	14	37077-68	CLUTCH SPRING (10)	71 to * - FX, FXS, FXEF, FXS-80, FXEF-80
	15	37228-75	OIL SLINGER	Late 75 to * - FX, FXS, FXEF, FXS-80, FXEF-80
	16	37285-75A	PUSH ROD, clutch	Late 75 to * - FX, FXS, FXEF, FXS-80, FXEF-80
		37305-70	BEARING & PUSH ROD KIT (1971 and later)	71 to * - FX, FXS, FXEF, FXS-80, FXEF-80
			Consists of:	
		11098	RETAINING RING	
		37070-39A	RELEASE FINGER	
		37228-75	OIL SLINGER	
		37285-75	PUSH ROD, clutch	
		37311-75A	THRUST WASHER, inner	
		37312-75	BEARING, push rod	
		37436-36	BUSHING, clutch rod	
	17	37311-75A	THRUST WASHER, inner (2)	Late 75 to * - FX, FXS, FXEF, FXS-80, FXEF-80
	18	37312-75	BEARING, push rod	Late 75 to * - FX, FXS, FXEF, FXS-80, FXEF-80
	19	37357-41	ADJUSTING SCREW, push rod	71 to * - FX, FXS, FXEF, FXS-80, FXEF-80
	20	37361-41	NUT, adjusting screw	71 to * - FX, FXS, FXEF, FXS-80, FXEF-80
	21	37496-65	NUT, mainshaft (clutch side)	71 to * - FX, FXS, FXEF, FXS-80, FXEF-80
	22	37503-41	LOCKWASHER, clutch nut	71 to * - FX, FXS, FXEF, FXS-80, FXEF-80
	23	37523-15	KEY, clutch	71 to * - FX, FXS, FXEF, FXS-80, FXEF-80
	24	37549-41	LINING, hub friction disc	71 to * - FX, FXS, FXEF, FXS-80, FXEF-80
	25	37550-41B	CLUTCH HUB ASSEMBLY	71 to * - FX, FXS, FXEF, FXS-80, FXEF-80
	26	37566-58	RETAINER, clutch hub roller	71 to * - FX, FXS, FXEF, FXS-80, FXEF-80
	27	37567-41A	RETAINER, clutch hub roller - with rollers	71 to * - FX, FXS, FXEF, FXS-80, FXEF-80
	28	37574-44	SPRING, hub bearing plate (2)	71 to * - FX, FXS, FXEF, FXS-80, FXEF-80
	29	37576-41	PLATE, hub bearing	71 to * - FX, FXS, FXEF, FXS-80, FXEF-80
	30	37581-47	NUT, hub stud (3)	71 to * - FX, FXS, FXEF, FXS-80, FXEF-80
	31	37583-41	STUD, drive hub (3)	71 to * - FX, FXS, FXEF, FXS-80, FXEF-80
	32	37585-41	PIN, clutch hub (7)	71 to * - FX, FXS, FXEF, FXS-80, FXEF-80
	33	37702-70A	CLUTCH SHELL AND SPROCKET, with starter ring gear	71 to * - FX, FXS, FXEF, FXS-80, FXEF-80
	34	37850-68	SET OF LINED CLUTCH DISCS	71 to * - FX, FXS, FXEF, FXS-80, FXEF-80
	35	37871-41	RELEASING DISC	71 to * - FX, FXS, FXEF, FXS-80, FXEF-80
	36	37930-68	FRICTION DISC (5)	71 to * - FX, FXS, FXEF, FXS-80, FXEF-80
	37	37975-41	DRIVE DISC (steel) (3 or 4)	71 to * - FX, FXS, FXEF, FXS-80, FXEF-80
	38	38010-41	PRESSURE PLATE	71 to * - FX, FXS, FXEF, FXS-80, FXEF-80
	39	38025-41	SET OF CLUTCH DISC BUFFERS	71 to * - FX, FXS, FXEF, FXS-80, FXEF-80

NOTE: Asterisk (*) indicates part is used for latest model year shown on cover.

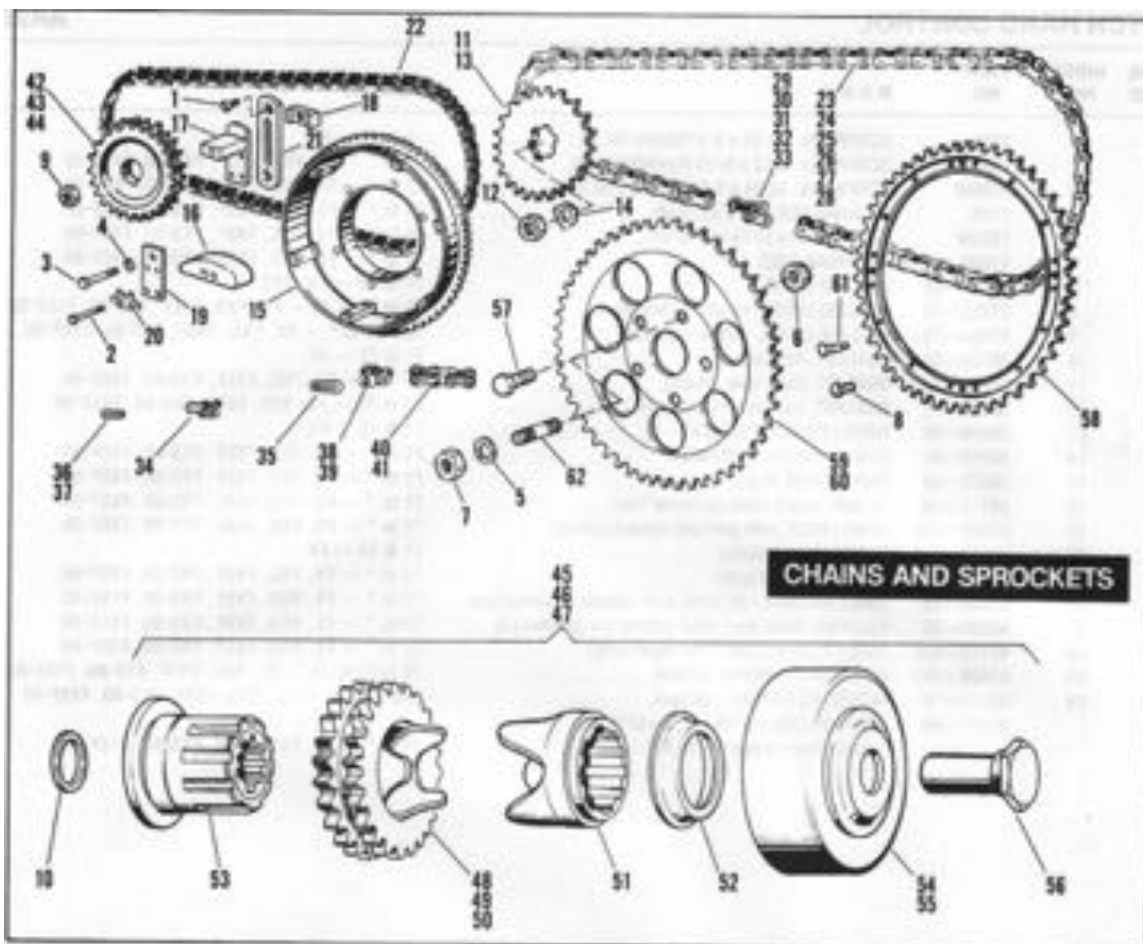
CLUTCH HAND CONTROL



Part No.	Description	QTY	Part No.	Description	QTY
1	Pin	1	19	Pin	1
2	Pin	1	20	Pin	1
3	Pin	1	21	Pin	1
4	Pin	1	22	Lever	1
5	Pin	1	23	Pin	1
6	Pin	1			
7	Pin	1			
8	Pin	1			
9	Pin	1			
10	Lever	1			
11	Lever	1			
12	Lever	1			
13	Lever	1			
14	Cable	1			
15	Pin	1			
16	Pin	1			
17	Lever	1			
18	Lever	1			
19	Pin	1			
20	Pin	1			
21	Pin	1			
22	Lever	1			
23	Pin	1			

RETAIL PRICE	INDEX NO.	PART NO.	NAME	USED ON
	1	1205	SCREW, No. 10-24 x 3/4 Pozidriv fl. hd.	71 & 72 - FX
	2	2585	SCREW, No. 8-32 x 5/16 Pozidriv pan hd.	71 to * - FX, FXS, FXEF, FXS-80, FXEF-80
	3	2895W	SCREW, No. 10-24 x 1-1/8 Phillips hd. (4)	73 to * - FX, FXS, FXEF, FXS-80, FXEF-80
	4	7115	LOCKWASHER, No. 8 int. tooth	71 to * - FX, FXS, FXEF, FXS-80, FXEF-80
	5	7800W	NUT, 3/8-24 x 5/16 x 9/16 hex.	71 to * - FX, FXS, FXEF, FXS-80, FXEF-80
	6	11038	RETAINING RING	71 to * - FX, FXS, FXEF, FXS-80, FXEF-80
	7	37053-68	RELEASE LEVER	71 to 77 - FX, FXS
	8	37053-78	RELEASE LEVER, clutch - chrome	78 to Early 79 - FX, FXS, FXEF, FXS-80, FXEF-80
	9	37054-79	RELEASE LEVER, clutch - painted	Late 79 to * - FX, FXS, FXEF, FXS-80, FXEF-80
	10	38608-68	BRACKET, hand lever	71 & 72 - FX
	11	38608-72	BRACKET, hand lever (black)	80 to * - FX, FXS, FXEF, FXS-80, FXEF-80
	12	38608-73	BRACKET, hand lever (polished)	73 to 79 - FX, FXS, FXEF, FXS-80, FXEF-80
	13	38609-68	HAND LEVER AND BRACKET	71 & 72 - FX
	14	38518-68	CABLE AND COIL ASSEMBLY	71 to * - FX, FXS, FXEF, FXS-80, FXEF-80
	15	38623-68	CABLE GUIDE PLATE	71 to * - FX, FXS, FXEF, FXS-80, FXEF-80
	16	38712-68	CLAMP, clutch cable (at frame front)	71 to * - FX, FXS, FXEF, FXS-80, FXEF-80
	17	45024-65A	HAND LEVER, with pins and nylon bushings	71 to * - FX, FXS, FXEF, FXS-80, FXEF-80
	18	45030-65A	CLAMP, lever bracket	71 & 72 - FX
	19	45031-65	PIVOT PIN, hand lever	71 to * - FX, FXS, FXEF, FXS-80, FXEF-80
	20	45036-68	CABLE ANCHOR PIN, hand lever (plastic bushing type)	71 to * - FX, FXS, FXEF, FXS-80, FXEF-80
	21	45039-68	BUSHING, hand lever cable anchor pin (plastic) (2)	71 to * - FX, FXS, FXEF, FXS-80, FXEF-80
	22	45110-62P	CABLE REPAIR CLAMP (for repair only)	71 to * - FX, FXS, FXEF, FXS-80, FXEF-80
	23	62576-65A	MOUNTING BRACKET, oil tank	71 to Early 79 - FX, FXS, FXEF, FXS-80, FXEF-80
	24	62576-79	MOUNTING BRACKET, oil tank	Late 79 to * - FX, FXS, FXEF, FXS-80, FXEF-80
		91701-49	CONTROL COIL, 5/32 I.D. x 11/16 O.D. black vinyl covered - 25 ft.	71 to * - FX, FXS, FXEF, FXS-80, FXEF-80

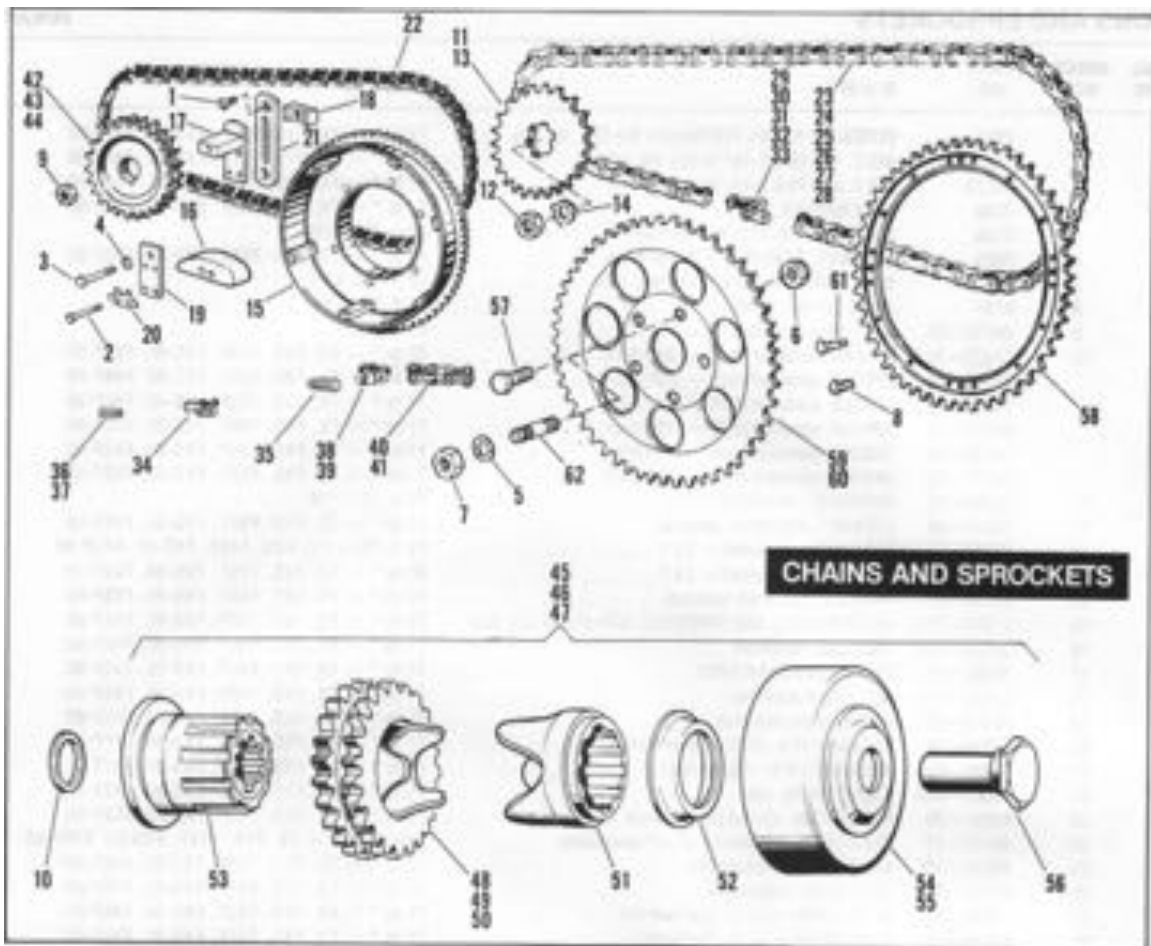
NOTE: Asterisk (*) indicates part is used for latest model year shown on cover.



CHAINS AND SPROCKETS

RETAIL PRICE	INDEX NO.	PART NO.	NAME	USED ON
	1	1783	SCREW, 5/16-18 x 7/8 Pozidriv flat chsk. hd. (2)	71 to * - FX, FXS, FXEF, FXS-80, FXEF-80
	2	3862B	BOLT, 1/4-28 x 1-15/16 hex. hd. (2)	71 to * - FX, FXS, FXEF, FXS-80, FXEF-80
	3	4422B	BOLT, 3/8-24 x 2-13/16 hex. hd.	71 to * - FX, FXS, FXEF, FXS-80, FXEF-80
	4	7038	LOCKWASHER, 3/8	71 to * - FX, FXS, FXEF, FXS-80, FXEF-80
	5	7136	LOCKWASHER, 7/16 internal tooth (5)	78 - FX, FXS
	6	7825	LOCKNUT, 7/16-20 x 7/16 x 5/8 hex. (5)	73 to * - FX, FXS, FXEF, FXS-80, FXEF-80
	7	7837W	NUT, 7/16-20 x 3/8 x 11/16 hex. (5)	78 - FX, FXS
	8	8532	RIVET, 3/16 x 1 (16)	71 & 72 - FX
	9	24003-55	NUT, motor sprocket	71 - FX
	10	24032-70	SPACER, sprocket shaft - .060 thick	71 to * - FX, FXS, FXEF, FXS-80, FXEF-80
		24033-70	SPACER, sprocket shaft - .090 thick	71 to * - FX, FXS, FXEF, FXS-80, FXEF-80
		24034-70	SPACER, sprocket shaft - .120 thick	71 to * - FX, FXS, FXEF, FXS-80, FXEF-80
		24035-70	SPACER, sprocket shaft - .150 thick	71 to * - FX, FXS, FXEF, FXS-80, FXEF-80
		24036-70	SPACER, sprocket shaft - .180 thick	71 to * - FX, FXS, FXEF, FXS-80, FXEF-80
		24037-70	SPACER, sprocket shaft - .210 thick	71 to * - FX, FXS, FXEF, FXS-80, FXEF-80
	11	35203-36	SPROCKET, mainshaft - 22 T	71 & 72 - FX
	12	35211-36	LOCKNUT, mainshaft sprocket	71 to * - FX, FXS, FXEF, FXS-80, FXEF-80
	13	35212-73	SPROCKET, mainshaft - 23 T	73 to 79 - FX, FXS, FXEF, FXS-80, FXEF-80
		35212-80	SPROCKET, mainshaft - 23 T	80 to * - FX, FXS, FXEF, FXS-80, FXEF-80
	14	35216-36	WASHER, mainshaft sprocket	71 to * - FX, FXS, FXEF, FXS-80, FXEF-80
	15	37702-70A	CLUTCH SHELL AND SPROCKET, with starter ring gear	73 to * - FX, FXS, FXEF, FXS-80, FXEF-80
	16	39976-65B	PAD, chain tensioner	71 to * - FX, FXS, FXEF, FXS-80, FXEF-80
	17	39990-65	CHAIN TENSIONER SHOE	71 to * - FX, FXS, FXEF, FXS-80, FXEF-80
	18	39992-65A	NUT, chain tensioner	71 to * - FX, FXS, FXEF, FXS-80, FXEF-80
	19	39993-65	PLATE, chain tensioner	71 to * - FX, FXS, FXEF, FXS-80, FXEF-80
	20	39996-65	LOCKWASHER, chain tensioner plate	71 to * - FX, FXS, FXEF, FXS-80, FXEF-80
	21	39998-65	ANCHOR PLATE, chain tensioner	71 to * - FX, FXS, FXEF, FXS-80, FXEF-80
	22	40007-36A	FRONT CHAIN, solo	71 to * - FX, FXS, FXEF, FXS-80, FXEF-80
	23	40021-79	REAR CHAIN, special performance	71 to * - FX, FXS, FXEF, FXS-80, FXEF-80
	24	40025-77	REAR CHAIN, (Diamond) - self lubricating	Late 77 to * - FX, FXS, FXEF, FXS-80, FXEF-80
	25	40028-15C	REAR CHAIN (Duckworth)	71 to * - FX, FXS, FXEF, FXS-80, FXEF-80
	26	40029-15C	REAR CHAIN (Diamond)	71 to * - FX, FXS, FXEF, FXS-80, FXEF-80
	27	40033-15	REAR CHAIN - 25 ft. (Duckworth)	71 to * - FX, FXS, FXEF, FXS-80, FXEF-80
	28	40034-15	REAR CHAIN - 25 ft. (Diamond)	71 to * - FX, FXS, FXEF, FXS-80, FXEF-80
	29	40026-77	CONNECTING LINK, rear chain (Diamond)	Late 77 to * - FX, FXS, FXEF, FXS-80, FXEF-80
	30	40052-15	CONNECTING LINK, rear chain (Diamond) (slip fit)	71 to * - FX, FXS, FXEF, FXS-80, FXEF-80
	31	40052-65	CONNECTING LINK, rear chain (Diamond) (press fit)	71 to * - FX, FXS, FXEF, FXS-80, FXEF-80
	32	40053-15	CONNECTING LINK, rear chain (Duckworth) (slip fit)	71 to * - FX, FXS, FXEF, FXS-80, FXEF-80
	33	40053-65	CONNECTING LINK, rear chain (Duckworth) (press fit)	71 to * - FX, FXS, FXEF, FXS-80, FXEF-80
	34	40055-39	CONNECTING LINK, front chain (Duckworth)	71 to * - FX, FXS, FXEF, FXS-80, FXEF-80
	35	40066-12	SPRING, connecting link, rear chain	71 to * - FX, FXS, FXEF, FXS-80, FXEF-80
	36	40069-30	SPRING, connecting link, front chain (Diamond)	71 to * - FX, FXS, FXEF, FXS-80, FXEF-80
	37	40070-28	SPRING, connecting link, front chain (Duckworth)	71 to * - FX, FXS, FXEF, FXS-80, FXEF-80
	38	40091-15	OFFSET REPAIR LINK, rear chain (Diamond)	71 to * - FX, FXS, FXEF, FXS-80, FXEF-80
	39	40092-15	OFFSET REPAIR LINK, rear chain (Duckworth)	71 to * - FX, FXS, FXEF, FXS-80, FXEF-80
	40	40093-15	DOUBLE REPAIR LINK, rear chain (Diamond)	71 to * - FX, FXS, FXEF, FXS-80, FXEF-80
	41	40094-15	DOUBLE REPAIR LINK, rear chain (Duckworth)	71 to * - FX, FXS, FXEF, FXS-80, FXEF-80
	42	40209-55	MOTOR SPROCKET - 22 T	71 - FX
	43	40210-55	MOTOR SPROCKET - 23 T	71 - FX
	44	40211-55	MOTOR SPROCKET - 24 T	71 - FX

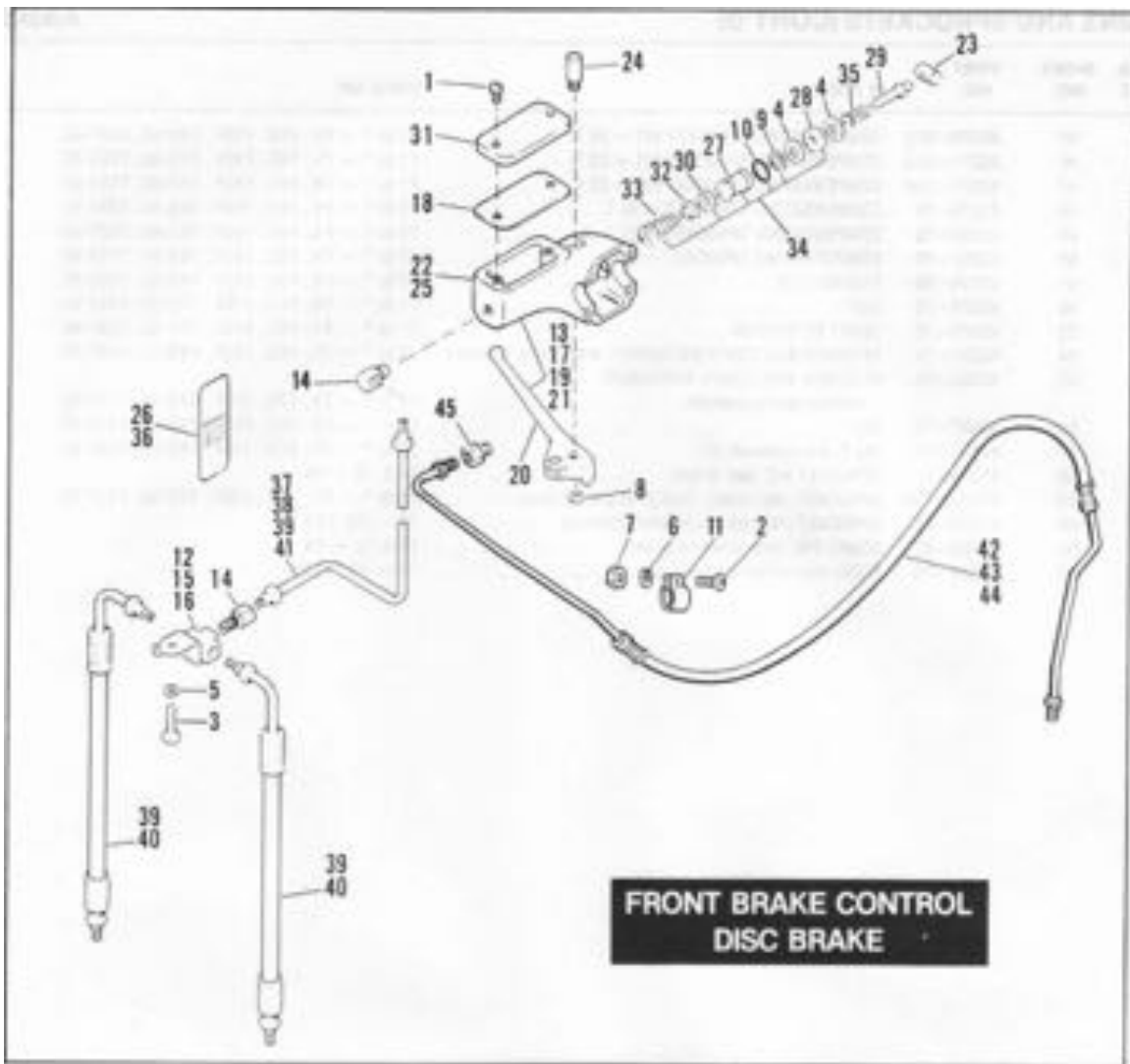
NOTE: Asterisk (*) indicates part is used for latest model year shown on cover.



RETAIL PRICE	INDEX NO.	PART NO.	NAME	USED ON
	45	40270-65A	COMPENSATING SPROCKET KIT - 24 T.	71 to * - FX, FXS, FXEF, FXS-80, FXEF-80
	46	40271-65A	COMPENSATING SPROCKET KIT - 23 T.	71 to * - FX, FXS, FXEF, FXS-80, FXEF-80
	47	40272-65A	COMPENSATING SPROCKET KIT - 22 T.	71 to * - FX, FXS, FXEF, FXS-80, FXEF-80
	48	40275-70	COMPENSATING SPROCKET - 24 T.	71 to * - FX, FXS, FXEF, FXS-80, FXEF-80
	49	40280-70	COMPENSATING SPROCKET - 22 T.	71 to * - FX, FXS, FXEF, FXS-80, FXEF-80
	50	40282-70	COMPENSATING SPROCKET - 23 T.	71 to * - FX, FXS, FXEF, FXS-80, FXEF-80
	51	40299-70	SLIDING CAM	71 to * - FX, FXS, FXEF, FXS-80, FXEF-80
	52	40324-70	CUP	71 to * - FX, FXS, FXEF, FXS-80, FXEF-80
	53	40375-70	SHAFT EXTENSION	71 to * - FX, FXS, FXEF, FXS-80, FXEF-80
	54	40384-70	RETAINER AND COVER ASSEMBLY, with spring washers	71 to * - FX, FXS, FXEF, FXS-80, FXEF-80
	55	40385-70	RETAINER AND COVER ASSEMBLY, without spring washers	71 to * - FX, FXS, FXEF, FXS-80, FXEF-80
	56	40382-70	NUT	71 to * - FX, FXS, FXEF, FXS-80, FXEF-80
	57	41197-73	BOLT, rear sprocket (5)	73 to * - FX, FXS, FXEF, FXS-80, FXEF-80
	58	41470-67	SPROCKET KIT, rear wheel	71 & 72 - FX
	59	41470-73A	SPROCKET, rear wheel (shot blast and chrome)	73 to * - FX, FXS, FXEF, FXS-80, FXEF-80
	60	41470-78	SPROCKET, rear wheel (polished chrome)	78 - FX, FXS
	61	41485-67	DOWEL PIN, rear wheel sprocket	71 & 72 - FX
	62	43532-73	STUD, rear wheel sprocket (5)	78 - FX, FXS

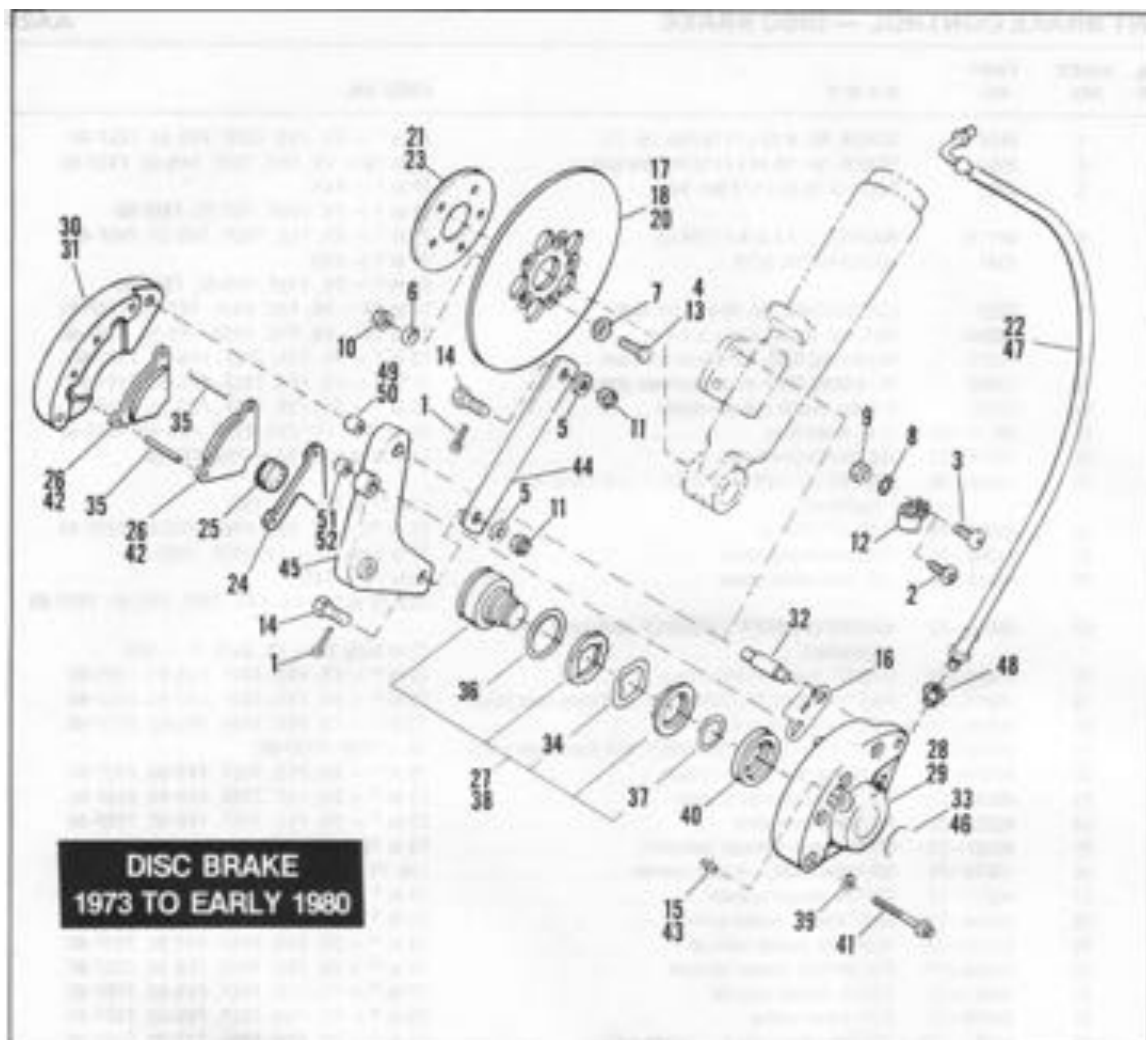
JOHN DEERE
 JOHN DEERE

NOTE: Asterisk (*) indicates part is used for latest model year shown on cover.

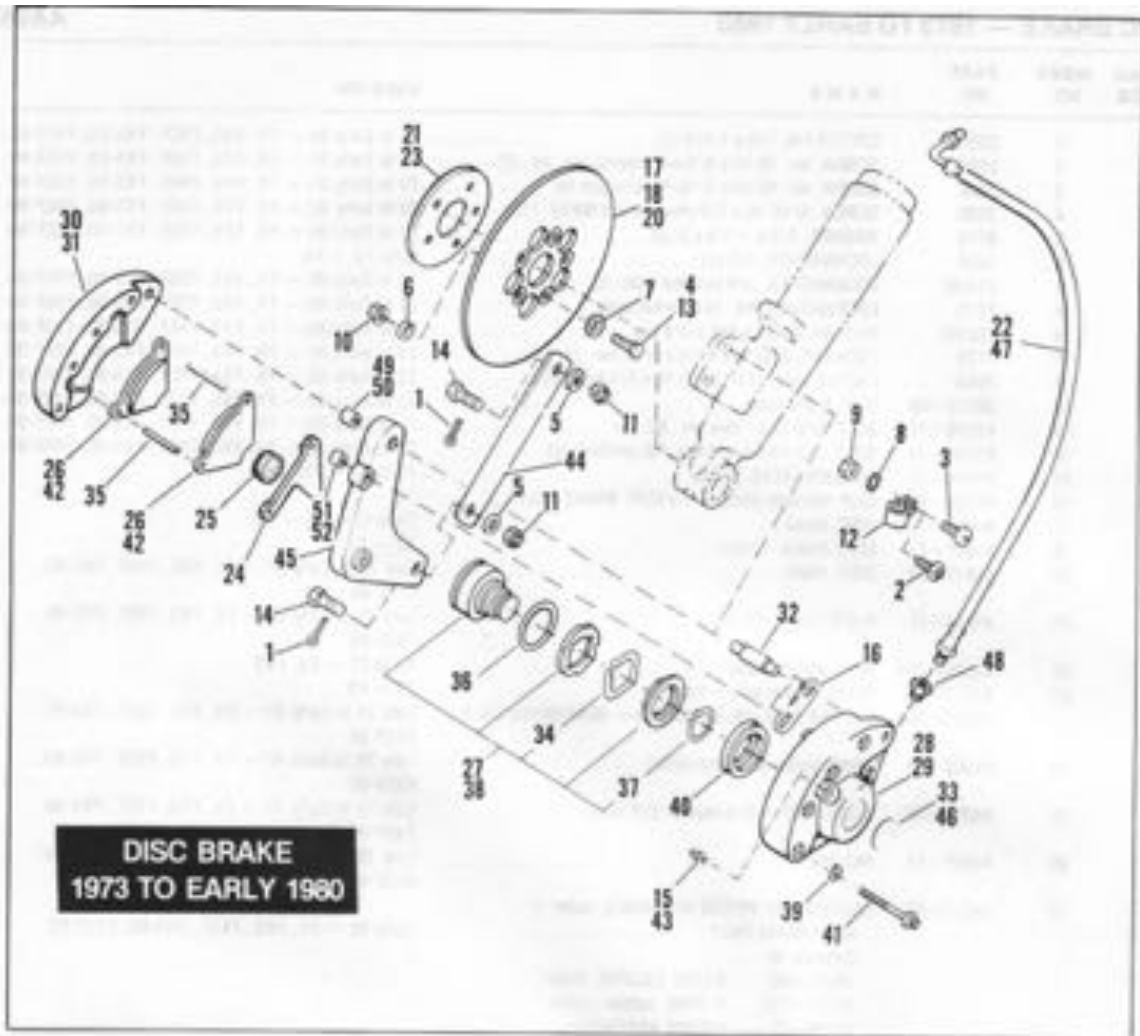


RETAIL PRICE	INDEX NO.	PART NO.	NAME	USED ON
	1	2628	SCREW, No. 8-32 x 7/16 ctsk. hd. (2)	73 to * — FX, FXS, FXEF, FXS-80, FXEF-80
	2	2664	SCREW, No. 10-24 x 7/16 Pozidriv pan hd.	73 to 79 — FX, FXS, FXEF, FXS-80, FXEF-80
	3	4391	BOLT, 5/16-24 x 5/8 hex. hd.	77 to * — FXS; 78 to * — FX, FXEF, FXS-80, FXEF-80
	4	6811W	WASHER, 1/4 x 3/4 x 1/64 (2)	73 to * — FX, FXS, FXEF, FXS-80, FXEF-80
	5	7041	LOCKWASHER, 5/16	77 to * — FXS; 78 to * — FX, FXEF, FXS-80, FXEF-80
	6	7220	LOCKWASHER, No. 10 external tooth	74 to 79 — FX, FXS, FXEF, FXS-80, FXEF-80
	7	7620W	NUT, No. 10-24 x 1/8 x 3/8 hex.	73 to 79 — FX, FXS, FXEF, FXS-80, FXEF-80
	8	11015	RETAINING RING, hand lever pivot pin	73 to * — FX, FXS, FXEF, FXS-80, FXEF-80
	9	11063	RETAINING RING, master cylinder piston	73 to * — FX, FXS, FXEF, FXS-80, FXEF-80
	10	11137	O-RING, master cylinder piston	73 to * — FX, FXS, FXEF, FXS-80, FXEF-80
	11	38712-68	CLIP, brake hose	73 to 79 — FX, FXS, FXEF, FXS-80, FXEF-80
	12	43318-72	TEE, front brake hoses	Late 77 to Early 79 — FXS, FXS-80
	13	43306-78	MASTER CYLINDER ASSEMBLY, with hand lever (polished)	Late 77 & 78 — FX, FXS
	14	43307-78	TUBE FITTING (2)	77 to 79 — FX, FXS, FXEF, FXS-80, FXEF-80
	15	43308-78	TEE, front brake hoses	78 to Early 79 — FX, FXEF, FXEF-80
	16	44310-77	TEE, front brake hoses	Early 77 — FXS; Late 79 to * — FX, FXS, FXEF, FXS-80, FXEF-80
	17	45010-73	MASTER CYLINDER ASSEMBLY, with hand lever (polished)	73 to Early 77 — FX, Early 77 — FXS
	18	45012-72	GASKET, master cylinder cover	73 to * — FX, FXS, FXEF, FXS-80, FXEF-80
	19	45013-72	MASTER CYLINDER ASSEMBLY, with hand lever (black)	79 to * — FX, FXS, FXEF, FXS-80, FXEF-80
	20	45016-72	HAND LEVER, front brake	73 to * — FX, FXS, FXEF, FXS-80, FXEF-80
	21	45020-79	MASTER CYLINDER ASSEMBLY, with hand lever (black)	79 — FXEF, FXEF-80
	22	45024-72	BODY, master cylinder (black)	79 to * — FX, FXS, FXEF, FXS-80, FXEF-80
	23	45031-72	PIN, master cylinder plunger	73 to * — FX, FXS, FXEF, FXS-80, FXEF-80
	24	45032-72	PIN, hand lever pivot	73 to * — FX, FXS, FXEF, FXS-80, FXEF-80
	25	45037-73	BODY, master cylinder (polished)	73 to 78 — FX, FXS
	26	45044-74	WARNING LABEL, master cylinder	Late 74 to 76 — FX
	27	45053-72	PISTON, master cylinder	73 to * — FX, FXS, FXEF, FXS-80, FXEF-80
	28	45054-72	DUST WIPER, master cylinder	73 to * — FX, FXS, FXEF, FXS-80, FXEF-80
	29	45055-72	PLUNGER, master cylinder	73 to * — FX, FXS, FXEF, FXS-80, FXEF-80
	30	45056-77	PISTON CUP, master cylinder	73 to * — FX, FXS, FXEF, FXS-80, FXEF-80
	31	45057-72	COVER, master cylinder	73 to * — FX, FXS, FXEF, FXS-80, FXEF-80
	32	45059-72	CUP, piston spring	73 to * — FX, FXS, FXEF, FXS-80, FXEF-80
	33	45061-72A	SPRING, piston return — master cylinder	73 to * — FX, FXS, FXEF, FXS-80, FXEF-80
	34	45063-72	REPAIR KIT, master cylinder	72 to * — FX, FXS, FXEF, FXS-80, FXEF-80
	35	45071-72	SPRING, plunger — master cylinder	73 to * — FX, FXS, FXEF, FXS-80, FXEF-80
	36	45105-77	WARNING LABEL, master cylinder (DOT 5)	77 to * — FX, FXS, FXEF, FXS-80, FXEF-80
	37	45114-77	HOSE, front brake (chrome ends) — 14 in. long	77 & 78 — FXS
	38	45114-79	HOSE, front brake (chrome ends) — 14-3/16 in. long	Late 79 — FXS, FXS-80
	39	45121-77	HOSE, front brake (3) (2 lower — 80 & later)	78 to * — FX; 80 to * — FXS, FXEF, FXEF-80
	40	45123-77	HOSE, front brake — 19 in. long (2)	77 to 79 — FXS, 79 to * — FXS-80
	41	45123-79	HOSE, front brake (chrome ends) — 20 in. long (upper)	80 to * — FX, FXS, FXEF, FXS-80, FXEF-80
	42	45519-77	FRONT BRAKE HOSE, complete	77 — FX
	43	45521-73	FRONT BRAKE HOSE, complete	73 — FX
	44	45521-74A	FRONT BRAKE HOSE, complete	74 to 76 — FX
	45	63609-72	TUBE FITTING, 1/8-27 NPSF	Late 73 to 77 — FX

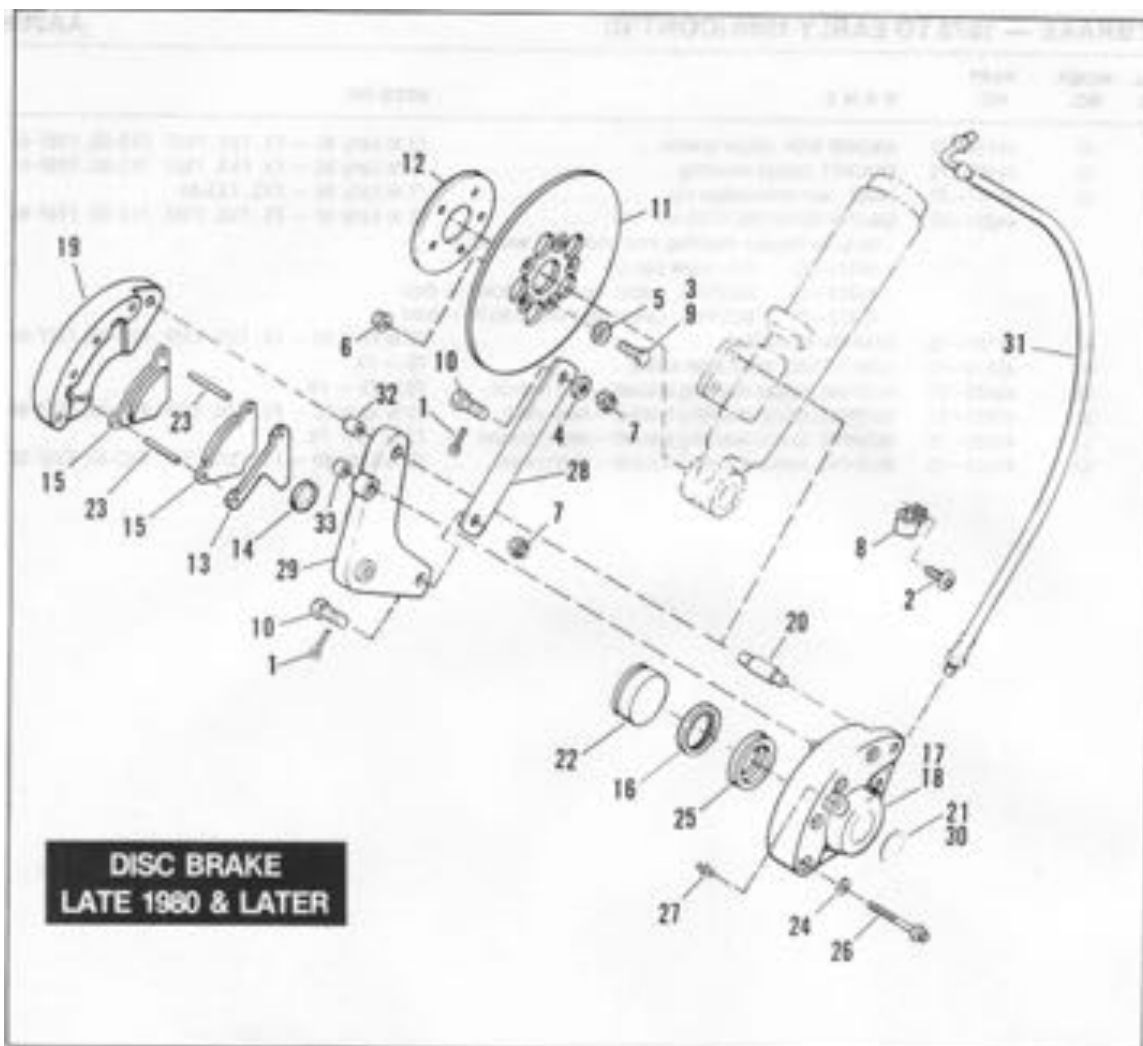
NOTE: Asterisk (*) indicates part is used for latest model year shown on cover.



RETAIL PRICE	INDEX NO.	PART NO.	NAME	USED ON
	1	520W	COTTER PIN, 1/8 x 1-1/4 (2)	73 to Early 80 — FX, FXS, FXEF, FXS-80, FXEF-80
	2	2652	SCREW, No. 10-16 x 3/8 self tapping hex. hd. (2)	73 to Early 80 — FX, FXS, FXEF, FXS-80, FXEF-80
	3	2664	SCREW, No. 10-24 x 7/16 Pozidriv pan hd.	73 to Early 80 — FX, FXS, FXEF, FXS-80, FXEF-80
	4	3680	SCREW, 5/16-18 x 7/8 ctk, socket flat hd. (10)	78 to Early 80 — FX, FXS, FXEF, FXS-80, FXEF-80
	5	6718	WASHER, 1/2 x 1-1/8 x 3/32	73 to Early 80 — FX, FXS, FXEF, FXS-80, FXEF-80
	6	7039	LOCKWASHER, 3/8 (5)	Early 73 — FX
	7	7145W	LOCKWASHER, 3/8 external tooth (5)	73 to Early 80 — FX, FXS, FXEF, FXS-80, FXEF-80
	8	7220	LOCKWASHER, No. 10 external tooth	73 to Early 80 — FX, FXS, FXEF, FXS-80, FXEF-80
	9	7620W	NUT, No. 10-24 x 1/8 x 3/8 hex.	73 to Early 80 — FX, FXS, FXEF, FXS-80, FXEF-80
	10	7778	LOCKNUT, 3/8-16 x 7/16 x 9/16 hex. (5)	73 to Early 80 — FX, FXS, FXEF, FXS-80, FXEF-80
	11	7843	CASTLE NUT, 1/2-13 x 7/16 x 3/4 hex. (2)	73 to Early 80 — FX, FXS, FXEF, FXS-80, FXEF-80
	12	38712-88	CLIP, brake hose	73 to Early 80 — FX, FXS, FXEF, FXS-80, FXEF-80
	13	41198-73	BOLT, 3/8-16 x 1 thin hex. hd. (5)	73 to Early 80 — FX, FXS, FXEF, FXS-80, FXEF-80
	14	41734-73	BOLT, 1/2-13 x 1-1/8 hex. hd. (drilled) (2)	73 to Early 80 — FX, FXS, FXEF, FXS-80, FXEF-80
	15	41749-58	BLEEDER VALVE, caliper	73 to 77 — FX, FXS
	16	41768-73	CLIP, vibration damper — FRONT BRAKE ONLY	73 — FX
	17	41806-72B	DISC, brake	73 to Early 78 — FX
	18	41807-73	DISC, brake — front	73 — FX
	20	41813-79	DISC, brake	Late 78 to Early 80 — FX, FXS, FXEF, FXS-80, FXEF-80
	21	41814-76	PLATE, brake disc (2)	Late 76 to Early 80 — FX, FXS, FXEF, FXS-80, FXEF-80
	22	42328-73A	REAR BRAKE HOSE	73 to 77 — FX, FXS
	23	43557-73	PLATE, disc to hub — front	73 — FX
		44001-78A	CALIPER ASSEMBLY, complete — REAR BRAKE ONLY	Late 78 to Early 80 — FX, FXS, FXEF, FXS-80, FXEF-80
	24	44002-78	SHIM, piston side (anti-rattle)	Late 78 to Early 80 — FX, FXS, FXEF, FXS-80, FXEF-80
	25	44004-78	INSULATOR, 1-3/4 round x 5/8 thick	Late 78 to Early 80 — FX, FXS, FXEF, FXS-80, FXEF-80
	26	44005-78	PAD SET	Late 78 to Early 80 — FX, FXS, FXEF, FXS-80, FXEF-80
	27	44010-80	CALIPER AND PISTON ASSEMBLY, outer — REAR BRAKE ONLY	Early 80 — FX, FXS, FXEF, FXS-80, FXEF-80
			Consists of:	
		44011-80	BRAKE CALIPER, outer	
		44127-72A	O-RING, caliper piston	
		44129-73	PISTON ASSEMBLY	
		44133-72	DUST BOOT, caliper	
		44146-77	BLEEDER VALVE, caliper	
	28	44011-80	BRAKE CALIPER, outer	Early 80 — FX, FXS, FXEF, FXS-80, FXEF-80
		44104-72A	CALIPER ASSEMBLY, complete — FRONT BRAKE ONLY	73 — FX
	29	44105-72	BRAKE CALIPER, outer	73 to 79 — FX, FXS, FXEF, FXS-80, FXEF-80
	30	44106-72	BRAKE CALIPER, inner	73 to 79 — FX, FXS, FXEF, FXS-80, FXEF-80
	31	44106-80	BRAKE CALIPER, inner	Early 80 — FX, FXS, FXEF, FXS-80, FXEF-80
	32	44107-72	MOUNTING PIN	73 to Early 80 — FX, FXS, FXEF, FXS-80, FXEF-80
	33	44108-72	LABEL, caliper (3)	73 to Early 80 — FX, FXS, FXEF, FXS-80, FXEF-80
		44114-73	CALIPER ASSEMBLY, complete — REAR BRAKE ONLY	73 to Early 78 — FX, FXS
	34	44123-72	SPRING WASHER, caliper	73 to Early 74 — FX
				77 to Early 80 — FX, FXS, FXEF, FXS-80, FXEF-80
	35	44124-72	PIN, brake pad (2)	73 to Early 80 — FX, FXS, FXEF, FXS-80, FXEF-80
	36	44127-72A	O-RING, caliper piston	73 to Early 80 — FX, FXS, FXEF, FXS-80, FXEF-80
	37	44128-72	RETAINING RING, caliper	Early 73 — FX
	38	44129-73	PISTON ASSEMBLY — REAR BRAKE ONLY	73 to Early 80 — FX, FXS, FXEF, FXS-80, FXEF-80
	39	44132-72	WASHER, caliper screw (4)	73 to Early 80 — FX, FXS, FXEF, FXS-80, FXEF-80
	40	44133-72	DUST BOOT, caliper	73 to Early 80 — FX, FXS, FXEF, FXS-80, FXEF-80
	41	44134-72A	SCREW, 3/8-16 x 2-1/4 12 pt. (4)	73 to Early 80 — FX, FXS, FXEF, FXS-80, FXEF-80
	42	44135-74	PAD SET, with piston o-ring	73 to Early 80 — FX, FXS, FXEF, FXS-80, FXEF-80
	43	44146-77	BLEEDER VALVE, caliper	78 to Early 80 — FX, FXS, FXEF, FXS-80, FXEF-80

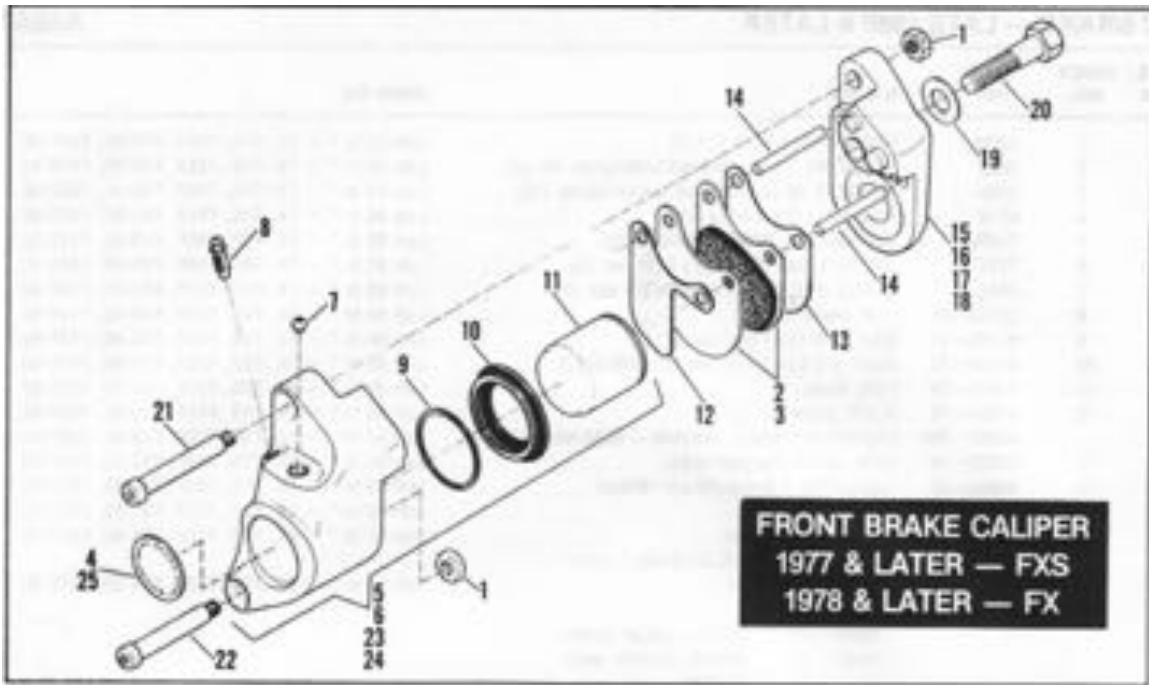


RETAIL PRICE	INDEX NO.	PART NO.	NAME	USED ON
	44	44154-73	ANCHOR ARM, caliper bracket	73 to Early 80 — FX, FXS, FXEF, FXS-80, FXEF-80
	45	44166-73	BRACKET, caliper mounting	73 to Early 80 — FX, FXS, FXEF, FXS-80, FXEF-80
	46	44197-77	LABEL, rear brake caliper (3)	77 to Early 80 — FXS, FXS-80
		44331-73	CALIPER MOUNTING STUD KIT	73 to Early 80 — FX, FXS, FXEF, FXS-80, FXEF-80
			Includes besides mounting stud, locknut & washer:	
		44124-72	PIN, brake pad (2)	
		45821-75	BUSHING, caliper mounting bracket — steel	
		45822-75	BUSHING, caliper mounting bracket — steel	
	47	45151-78	REAR BRAKE HOSE	78 to Early 80 — FX, FXS, FXEF, FXS-80, FXEF-80
	48	45518-73	TUBE FITTING, brake outer caliper	73 — FX
	49	45821-72	BUSHING, caliper mounting bracket — long (bronze)	73 to 75 — FX
	50	45821-75	BUSHING, caliper mounting bracket — long (steel)	76 to Early 80 — FX, FXS, FXEF, FXS-80, FXEF-80
	51	45822-72	BUSHING, caliper mounting bracket — short (bronze)	73 to 75 — FX
	52	45822-75	BUSHING, caliper mounting bracket — short (steel)	76 to Early 80 — FX, FXS, FXEF, FXS-80, FXEF-80



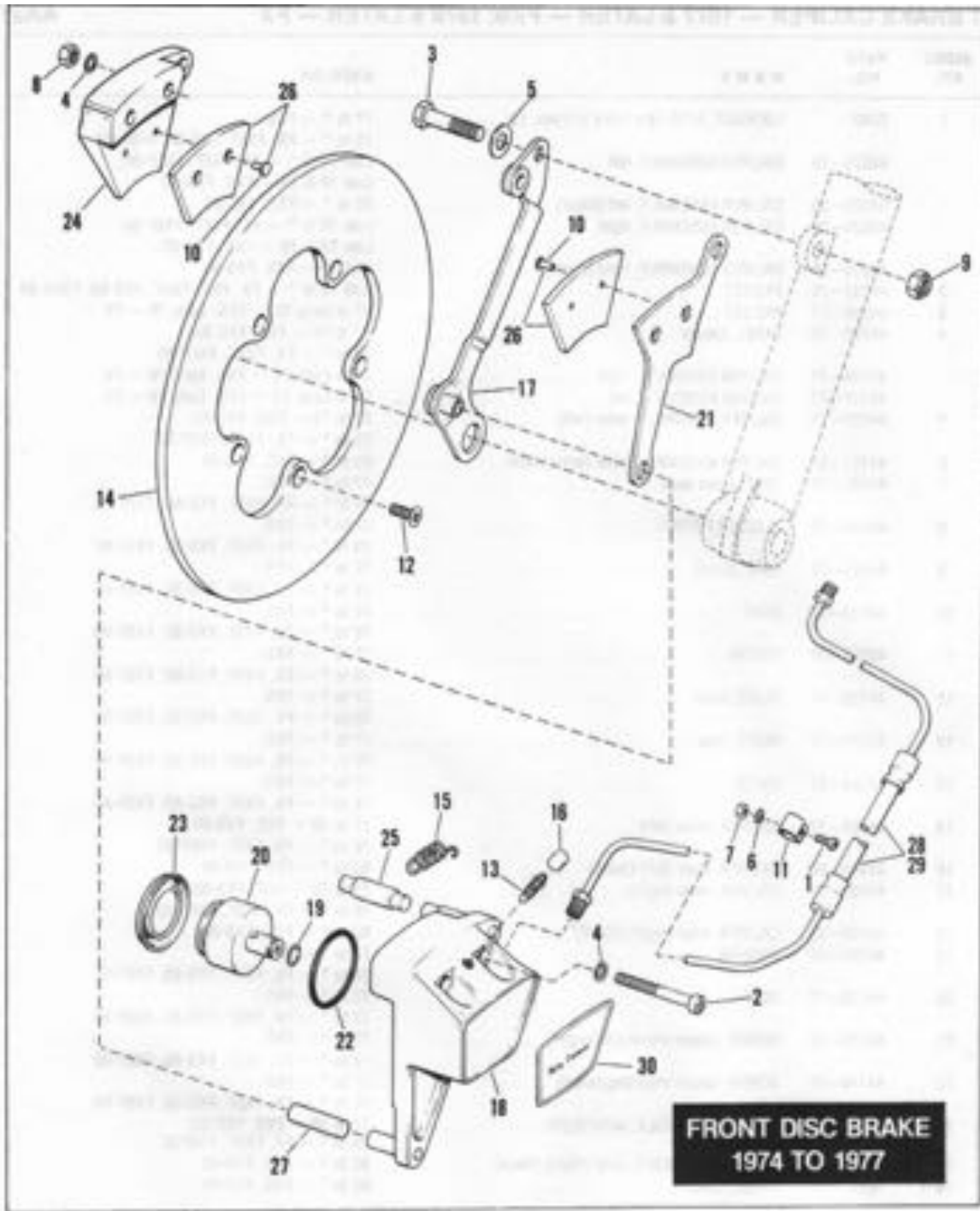
RETAIL PRICE	INDEX NO.	PART NO.	N A M E	USED ON
	1	520W	COTTER PIN, 1/8 x 1-1/4 (2)	Late 80 to * — FX, FXS, FXEF, FXS-80, FXEF-80
	2	2652	SCREW, No. 10-16 x 3/8 self tapping hex. hd. (2)	Late 80 to * — FX, FXS, FXEF, FXS-80, FXEF-80
	3	3680	SCREW, 5/16-18 x 7/8 ctsk. socket flat hd. (10)	Late 80 to * — FX, FXS, FXEF, FXS-80, FXEF-80
	4	6718	WASHER, 1/2 x 1-1/8 x 3/32	Late 80 to * — FX, FXS, FXEF, FXS-80, FXEF-80
	5	7145W	LOCKWASHER, 3/8 external tooth (5)	Late 80 to * — FX, FXS, FXEF, FXS-80, FXEF-80
	6	7778	LOCKNUT, 3/8-16 x 7/16 x 9/16 hex. (5)	Late 80 to * — FX, FXS, FXEF, FXS-80, FXEF-80
	7	7843	CASTLE NUT, 1/2-13 x 7/16 x 3/4 hex. (2)	Late 80 to * — FX, FXS, FXEF, FXS-80, FXEF-80
	8	38712-68	CLIP, brake hose	Late 80 to * — FX, FXS, FXEF, FXS-80, FXEF-80
	9	41198-73	BOLT, 3/8-16 x 1 thin hex. hd. (5)	Late 80 to * — FX, FXS, FXEF, FXS-80, FXEF-80
	10	41734-73	BOLT, 1/2-13 x 1-1/8 hex. hd. (drilled) (2)	Late 80 to * — FX, FXS, FXEF, FXS-80, FXEF-80
	11	41813-79	DISC, brake	Late 80 to * — FX, FXS, FXEF, FXS-80, FXEF-80
	12	41814-76	PLATE, brake disc (2)	Late 80 to * — FX, FXS, FXEF, FXS-80, FXEF-80
		44001-788	CALIPER ASSEMBLY, complete — REAR BRAKE ONLY	Late 80 to * — FX, FXS, FXEF, FXS-80, FXEF-80
	13	44002-78	SHIM, piston side (anti-rattle)	Late 80 to * — FX, FXS, FXEF, FXS-80, FXEF-80
	14	44004-80	INSULATOR, 1-3/4 round x 5/16 thick	Late 80 to * — FX, FXS, FXEF, FXS-80, FXEF-80
	15	44005-78	PAD SET	Late 80 to * — FX, FXS, FXEF, FXS-80, FXEF-80
	16	44007-80	O-RING, caliper piston	Late 80 to * — FX, FXS, FXEF, FXS-80, FXEF-80
	17	44008-80	CALIPER AND PISTON ASSEMBLY, outer — REAR BRAKE ONLY	Late 80 to * — FX, FXS, FXEF, FXS-80, FXEF-80
			Consists of	
		44007-80	O-RING, caliper piston	
		44008-80	BRAKE CALIPER, outer	
		44118-80	PISTON	
		44133-72	DUST BOOT, caliper	
		44146-77	BLEEDER VALVE, caliper	
	18	44009-80	BRAKE CALIPER, outer (black)	Late 80 to * — FX, FXS, FXEF, FXS-80, FXEF-80
	19	44106-80	BRAKE CALIPER, inner	Late 80 to * — FX, FXS, FXEF, FXS-80, FXEF-80
	20	44107-72	MOUNTING PIN	Late 80 to * — FX, FXS, FXEF, FXS-80, FXEF-80
	21	44108-72	LABEL, caliper (3)	Late 80 to * — FX, FXS, FXEF, FXS-80, FXEF-80
	22	44118-80	PISTON	Late 80 to * — FX, FXS, FXEF, FXS-80, FXEF-80
	23	44124-72	PIN, brake pad (2)	Late 80 to * — FX, FXS, FXEF, FXS-80, FXEF-80
	24	44132-72	WASHER, caliper screw (4)	Late 80 to * — FX, FXS, FXEF, FXS-80, FXEF-80
	25	44133-72	DUST BOOT, caliper	Late 80 to * — FX, FXS, FXEF, FXS-80, FXEF-80
	26	44134-72A	SCREW, 3/8-16 x 2-1/4 12 pt. (4)	Late 80 to * — FX, FXS, FXEF, FXS-80, FXEF-80
	27	44146-77	BLEEDER VALVE, caliper	Late 80 to * — FX, FXS, FXEF, FXS-80, FXEF-80
	28	44154-73	ANCHOR ARM, caliper bracket	Late 80 to * — FX, FXS, FXEF, FXS-80, FXEF-80
	29	44166-73	BRACKET, caliper mounting	Late 80 to * — FX, FXS, FXEF, FXS-80, FXEF-80
	30	44197-77	LABEL, rear brake caliper (3)	Late 80 to * — FXS, FXS-80
		44331-73	CALIPER MOUNTING STUD KIT	Late 80 to * — FX, FXS, FXEF, FXS-80, FXEF-80
			Includes besides mounting stud, locknut & washer:	
		44124-72	PIN, brake pad (2)	
		45821-75	BUSHING, caliper mounting bracket — steel	
		45822-75	BUSHING, caliper mounting bracket — steel	
	31	45151-78	REAR BRAKE HOSE	Late 80 to * — FX, FXS, FXEF, FXS-80, FXEF-80
	32	45821-75	BUSHING, caliper mounting bracket — long (steel)	Late 80 to * — FX, FXS, FXEF, FXS-80, FXEF-80
	33	45822-75	BUSHING, caliper mounting bracket — short (steel)	Late 80 to * — FX, FXS, FXEF, FXS-80, FXEF-80

NOTE: Asterisk (*) indicates part is used for latest model year shown on cover.

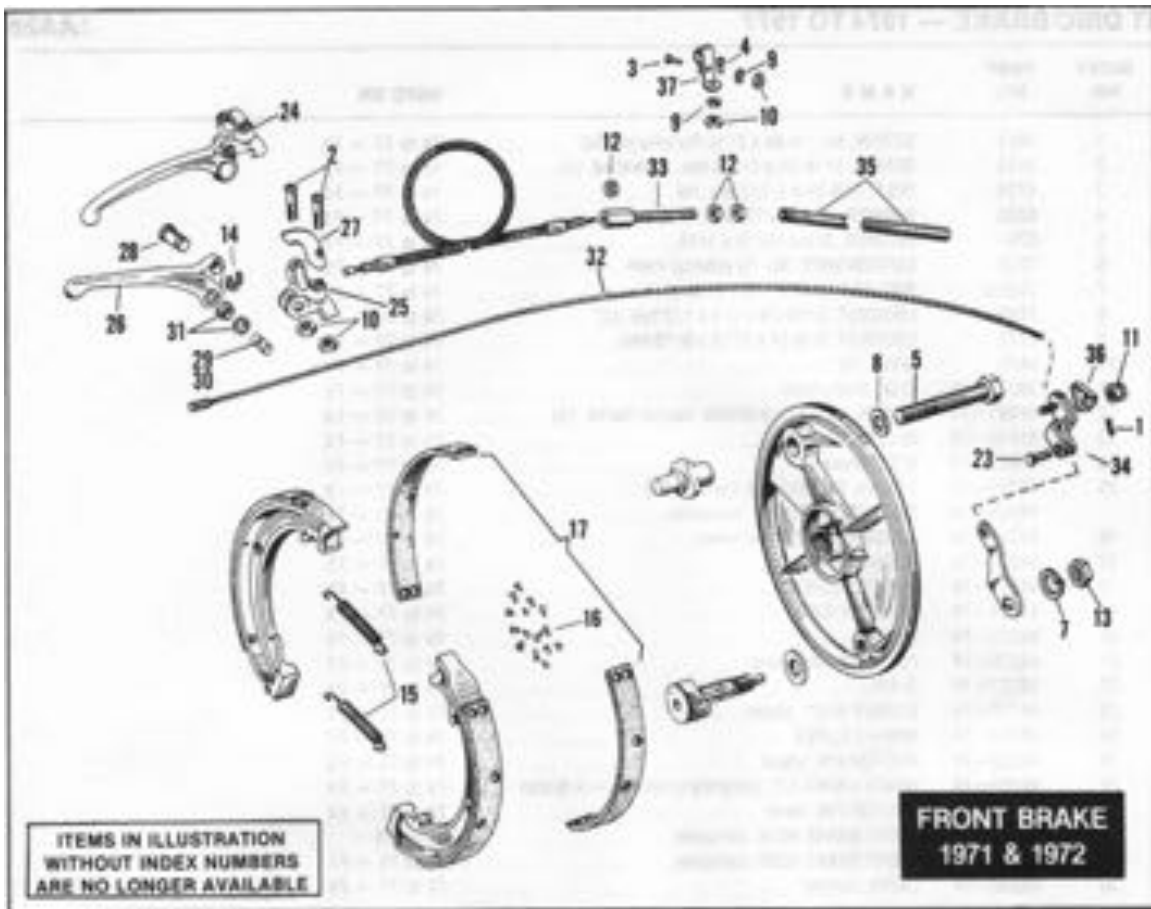


RETAIL PRICE	INDEX NO.	PART NO.	NAME	USED ON
	1	7740	LOCKNUT, 5/16-18 x 1/4 x 1/2 hex. (2)	77 to * — FXS; 78 to * — FX, FXEF, FXS-80, FXEF-80
		44025-79	CALIPER ASSEMBLY, left	Late 78 to * — FX, FXEF, FXEF-80; Late 78 & 79 — FXS, FXS-80
		44025-80	CALIPER ASSEMBLY, left (black)	80 to * — FXS, FXS-80
		44026-79	CALIPER ASSEMBLY, right	Late 78 to * — FX, FXEF, FXEF-80; Late 78 & 79 — FXS, FXS-80
		44026-80	CALIPER ASSEMBLY, right (black)	80 to * — FXS, FXS-80
	2	44032-79	PAD SET	Late 78 to * — FX, FXS, FXEF, FXS-80, FXEF-80
	3	44098-77	PAD SET	77 to Early 78 — FXS; Early 78 — FX
	4	44106-72	LABEL, caliper	77 to 79 — FXS, FXS-80; 78 to * — FX, FXEF, FXEF-80
		44116-77	CALIPER ASSEMBLY, right	77 to Early 78 — FXS; Early 78 — FX
		44117-77	CALIPER ASSEMBLY, left	77 to Early 78 — FXS; Early 78 — FX
	5	44121-77	CALIPER ASSEMBLY, outer (left)	77 to 79 — FXS, FXS-80; 78 to * — FX, FXEF, FXEF-80
	6	44121-80	CALIPER ASSEMBLY, outer (left) (black)	80 to * — FXS, FXS-80
	7	44141-77	SEAT, brake hose	77 to * — FXS; 78 to * — FX, FXEF, FXS-80, FXEF-80
	8	44146-77	BLEEDER FITTING	77 to * — FXS; 78 to * — FX, FXEF, FXS-80, FXEF-80
	9	44151-77	SEAL, piston	77 to * — FXS; 78 to * — FX, FXEF, FXS-80, FXEF-80
	10	44153-77	BOOT	77 to * — FXS; 78 to * — FX, FXEF, FXS-80, FXEF-80
	11	44157-77	PISTON	77 to * — FXS; 78 to * — FX, FXEF, FXS-80, FXEF-80
	12	44158-77	PLATE, outer	77 to * — FXS; 78 to * — FX, FXEF, FXS-80, FXEF-80
	13	44161-77	PLATE, inner	77 to * — FXS; 78 to * — FX, FXEF, FXS-80, FXEF-80
	14	44162-77	PIN (2)	77 to * — FXS; 78 to * — FX, FXEF, FXS-80, FXEF-80
	15	44163-77	CALIPER, inner (left)	77 to 79 — FXS, FXS-80; 78 to * — FX, FXEF, FXEF-80
	16	44163-80	CALIPER, inner (left) (black)	80 to * — FXS, FXS-80
	17	44164-77	CALIPER, inner (right)	77 to 79 — FXS, FXS-80; 78 to * — FX, FXEF, FXEF-80
	18	44164-80	CALIPER, inner (right) (black)	80 to * — FXS, FXS-80
	19	44165-77	WASHER	77 to * — FXS; 78 to * — FX, FXEF, FXS-80, FXEF-80
	20	44172-77	BOLT	77 to * — FXS; 78 to * — FX, FXEF, FXS-80, FXEF-80
	21	44173-77	SCREW, caliper mounting (long)	77 to * — FXS; 78 to * — FX, FXEF, FXS-80, FXEF-80
	22	44174-77	SCREW, caliper mounting (short)	77 to * — FXS; 78 to * — FX, FXEF, FXS-80, FXEF-80
	23	44195-77	CALIPER ASSEMBLY, outer (right)	77 to 79 — FXS, FXS-80; 78 to * — FX, FXEF, FXEF-80
	24	44195-80	CALIPER ASSEMBLY, outer (right) (black)	80 to * — FXS, FXS-80
	25	44197-77	LABEL, caliper	80 to * — FXS, FXS-80

NOTE: Asterisk (*) indicates part is used for latest model year shown on cover.

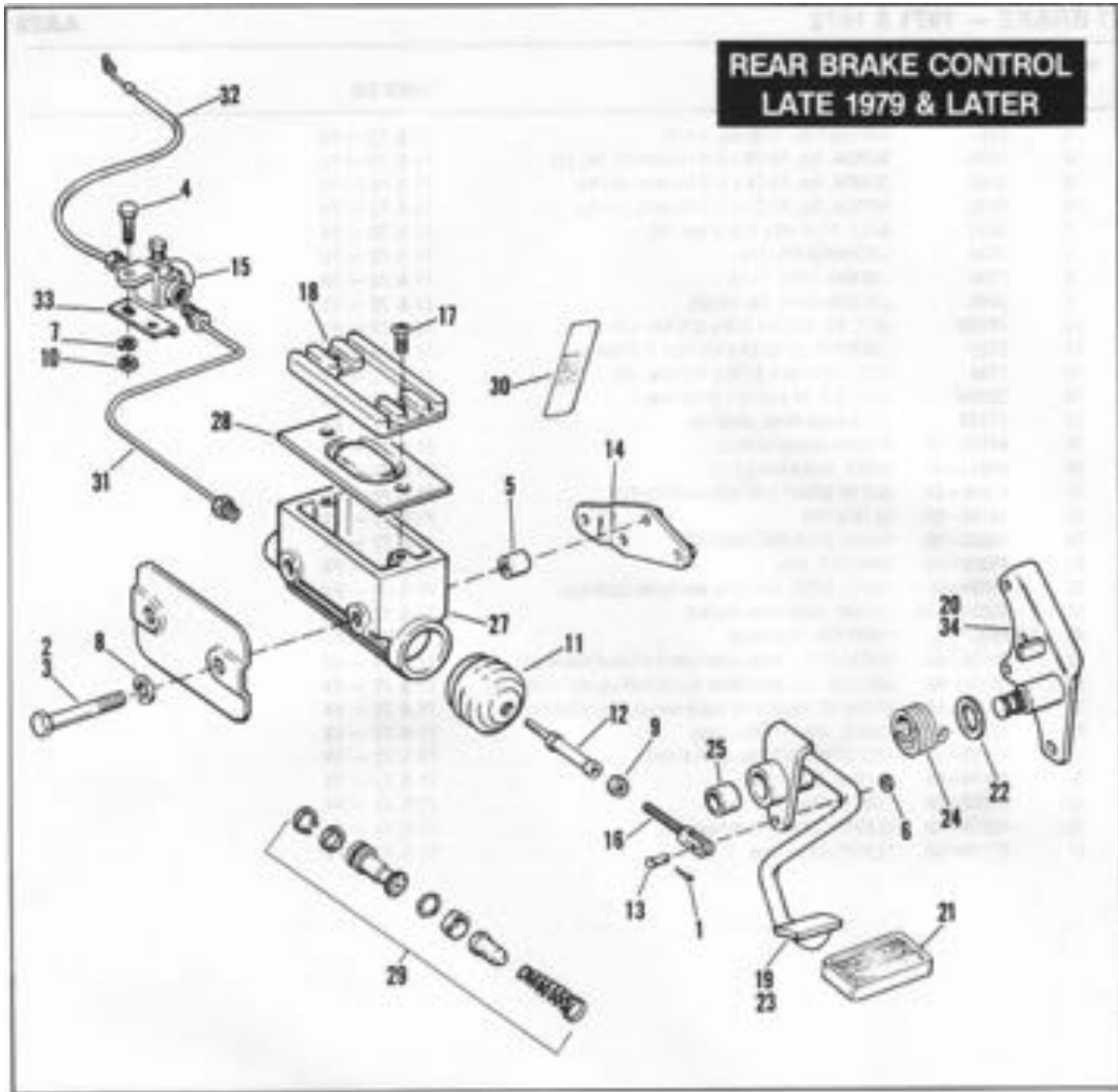


RETAIL PRICE	INDEX NO.	PART NO.	N A M E	USED ON
	1	2664	SCREW, No. 10-24 x 7/16 Pozidriv pan hd.	74 to 77 — FX
	2	3453	SCREW, 5/16-24 x 2-1/4 hex. socket hd. (2)	74 to 77 — FX
	3	4724	BOLT, 3/8-24 x 1-1/2 hex. hd.	74 to 77 — FX
	4	6230	WASHER, 11/32 x 13/32 x 5/32 (4)	74 to 77 — FX
	5	6701	WASHER, 3/8 x 13/16 x 1/16	74 to 77 — FX
	6	7220	LOCKWASHER, No. 10 external tooth	74 to 77 — FX
	7	7620W	NUT, No. 10-24 x 1/8 x 3/8 hex.	74 to 77 — FX
	8	7729	LOCKNUT, 5/16-24 x 1/4 x 1/2 hex. (2)	74 to 77 — FX
	9	7775	LOCKNUT, 3/8-24 x 7/16 x 9/16 hex.	74 to 77 — FX
	10	8475	RIVET (4)	74 to 77 — FX
	11	38712-68	CLIP, brake hose	74 to 77 — FX
	12	41191-74	SCREW, 1/4-20 x 5/8 ctsk. socket flat hd. (5)	74 to 77 — FX
	13	41749-58	BLEEDER VALVE	74 to 77 — FX
	14	41807-74	DISC, brake	74 to 77 — FX
	15	43302-77	SPRING, brake caliper (service fx)	74 to 77 — FX
		44089-74	CALIPER ASSEMBLY, complete	74 to 77 — FX
	16	44271-74	RUBBER CAP, bleeder valve	74 to 77 — FX
	17	44272-74	ANCHOR ARM	74 to 77 — FX
	18	44273-74	OUTER CALIPER	74 to 77 — FX
	19	44274-74	FRICTION RING	74 to 77 — FX
	20	44275-74	PISTON	74 to 77 — FX
	21	44276-74	PLATE, floating lining	74 to 77 — FX
	22	44277-74	O-RING	74 to 77 — FX
	23	44278-74	RUBBER BOOT, piston	74 to 77 — FX
	24	44279-74	INNER CALIPER	74 to 77 — FX
	25	44280-74	ANCHOR PIN, upper	74 to 77 — FX
	26	44281-74	BRAKE LINING KIT, complete (2 linings — 4 rivets)	74 to 77 — FX
	27	44283-74	ANCHOR PIN, lower	74 to 77 — FX
	28	45519-77	FRONT BRAKE HOSE, complete	77 — FX
	29	45521-74A	FRONT BRAKE HOSE, complete	74 to 76 — FX
	30	45532-74	LABEL, caliper	74 to 77 — FX



RETAIL PRICE	INDEX NO.	PART NO.	NAME	USED ON
	1	515	COTTER PIN, 1/16 dia. x 1/2	71 & 72 — FX
	2	1205	SCREW, No. 10-24 x 3/4 Pozidriv fl. hd. (2)	71 & 72 — FX
	3	2592	SCREW, No. 10-24 x 1/2 Pozidriv pan hd.	71 & 72 — FX
	4	2660	SCREW, No. 10-24 x 3/8 Pozidriv pan hd.	71 & 72 — FX
	5	3433	BOLT, 7/16-20 x 2-3/4 hex. hd.	71 & 72 — FX
	7	7038	LOCKWASHER, 3/8	71 & 72 — FX
	8	7039	LOCKWASHER, 7/16	71 & 72 — FX
	9	7069	LOCKWASHER, No. 10 (2)	71 & 72 — FX
	10	7620W	NUT, No. 10-24 x 1/8 x 3/8 hex. (2)	71 & 72 — FX
	11	7725	LOCKNUT, 5/16-24 x 11/16 x 1/2 hex.	71 & 72 — FX
	12	7744	NUT, 5/16-24 x 3/16 x 1/2 hex. (2)	71 & 72 — FX
	13	7800W	NUT, 3/8-24 x 5/16 x 9/16 hex.	71 & 72 — FX
	14	11036	RETAINING RING, pivot pin	71 & 72 — FX
	15	41835-69	SPRING, brake shoe (2)	71 & 72 — FX
	16	41841-31	RIVET, brake lining (12)	71 & 72 — FX
	17	41846-64	SET OF BRAKE LININGS AND RIVETS	71 & 72 — FX
	23	44524-51	CLEVIS PIN	71 & 72 — FX
	24	45002-69	HAND LEVER AND BRACKET	71 & 72 — FX
	25	45023-69	BRACKET, only	71 & 72 — FX
	26	45024-65A	HAND LEVER, with pins and nylon bushings	71 & 72 — FX
	27	45030-65A	CLAMP, hand lever bracket	71 & 72 — FX
	28	45031-65	PIVOT PIN, hand lever	71 & 72 — FX
	29	45034-68	ANCHOR PIN, hand lever (used without bushings)	71 & 72 — FX
	30	45036-68	ANCHOR PIN, hand lever (used with plastic bushings)	71 & 72 — FX
	31	45039-68	BUSHING, hand lever cable anchor pin (plastic) (2)	71 & 72 — FX
	32	45137-51	CABLE, only — 59 in. long	71 & 72 — FX
	33	45159-50	ADJUSTING SCREW, control coil	71 & 72 — FX
	34	45174-64	CLEVIS, brake cable	71 & 72 — FX
	35	45203-52	TUBE, brake cable	71 & 72 — FX
	36	45216-49	CLEVIS CLAMP, brake cable	71 & 72 — FX
	37	45218-52	CLAMP, cable tube	71 & 72 — FX

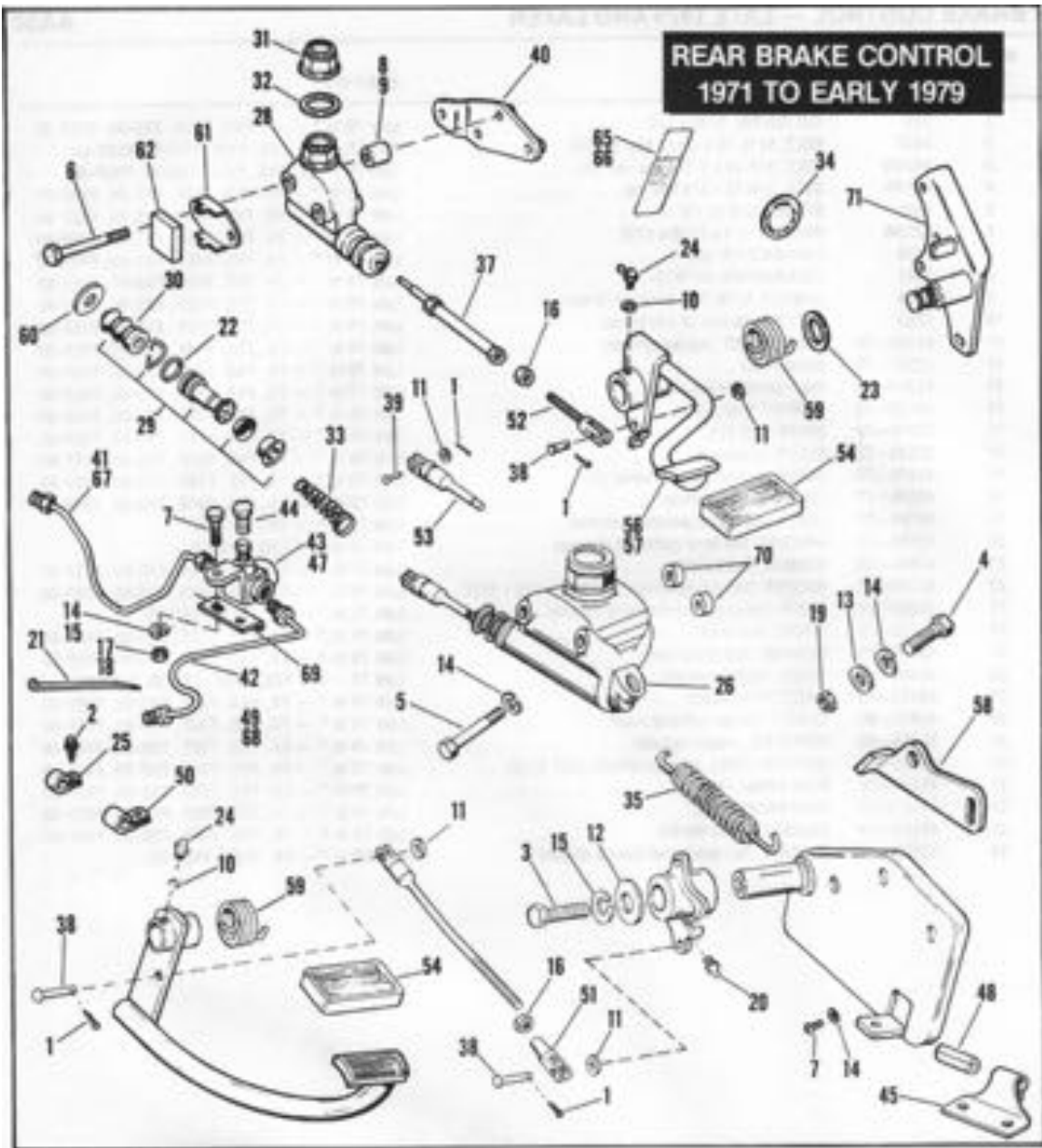
**REAR BRAKE CONTROL
LATE 1979 & LATER**



RETAIL PRICE	INDEX NO.	PART NO.	NAME	USED ON
	1	515	CUTTER PIN, 1/16 x 1/2	Late 79 to * — FX, FXS, FXEF, FXS-80, FXEF-80
	2	3427	BOLT, 5/16-18 x 3-1/2 hex. hd. (2)	80 to * — FX, FXS, FXEF, FXS-80, FXEF-80
	3	4434W	BOLT, 3/8-24 x 3-1/4 hex. hd. (2)	Late 79 — FX, FXS, FXEF, FXS-80, FXEF-80
	4	4713W	BOLT, 3/8-16 x 3/4 hex. hd.	Late 79 to * — FX, FXS, FXEF, FXS-80, FXEF-80
	5	5890	SPACER, 5/8 rd. (2)	Late 79 to * — FX, FXS, FXEF, FXS-80, FXEF-80
	6	6220W	WASHER, 1/4 x 7/16 x 1/32	Late 79 to * — FX, FXS, FXEF, FXS-80, FXEF-80
	7	7038	LOCKWASHER, 3/8	Late 79 to * — FX, FXS, FXEF, FXS-80, FXEF-80
	8	7041	LOCKWASHER, 5/16 (2)	Late 79 to * — FX, FXS, FXEF, FXS-80, FXEF-80
	9	7744	JAMNUT, 5/16-24 x 3/16 x 1/2 hex.	Late 79 to * — FX, FXS, FXEF, FXS-80, FXEF-80
	10	7783	NUT, 3/8-16 x 5/16 x 9/16 hex.	Late 79 to * — FX, FXS, FXEF, FXS-80, FXEF-80
	11	41764-79	RUBBER BOOT, master cylinder	Late 79 to * — FX, FXS, FXEF, FXS-80, FXEF-80
	12	42357-79	BRAKE ROD	Late 79 to * — FX, FXS, FXEF, FXS-80, FXEF-80
	13	42269-80	PIN, rear brake rod clevis	Late 79 to * — FX, FXS, FXEF, FXS-80, FXEF-80
	14	42299-79	SUPPORT BRACKET	Late 79 to * — FX, FXS, FXEF, FXS-80, FXEF-80
	15	42318-72	BRAKE LINE TEE	Late 79 to * — FX, FXS, FXEF, FXS-80, FXEF-80
	16	42330-72	CLEVIS, brake rod	Late 79 to * — FX, FXS, FXEF, FXS-80, FXEF-80
	17	42375-77	SCREW, master cylinder cover (2)	Late 79 to * — FX, FXS, FXEF, FXS-80, FXEF-80
	18	42376-77	COVER, master cylinder	Late 79 to * — FX, FXS, FXEF, FXS-80, FXEF-80
	19	42388-79	LEVER, foot brake (polished chrome)	Late 79 to * — FXS, FXS-80
	20	42389-79	BRACKET, foot lever (polished chrome)	Late 79 to * — FXS, FXS-80
	21	42394-85	RUBBER, brake pedal	Late 79 to * — FX, FXS, FXEF, FXS-80, FXEF-80
	22	42396-79	WASHER, brake pedal pivot, 1-1/64 x 1-3/8 x 1/16	Late 79 to * — FX, FXS, FXEF, FXS-80, FXEF-80
	23	42399-79	LEVER, foot brake (shot blast & chrome)	Late 79 to * — FX, FXEF, FXEF-80
	24	42425-79	SPRING, foot lever	Late 79 to * — FX, FXS, FXEF, FXS-80, FXEF-80
	25	42435-79	BUSHING, foot brake lever	Late 79 to * — FX, FXS, FXEF, FXS-80, FXEF-80
	26	42440-79	COVER, master cylinder	Late 79 — FX, FXS, FXEF, FXS-80, FXEF-80
	27	42453-80	MASTER CYLINDER	Late 79 to * — FX, FXS, FXEF, FXS-80, FXEF-80
	28	42455-80	GASKET, master cylinder cover	Late 79 to * — FX, FXS, FXEF, FXS-80, FXEF-80
	29	42456-80	REPAIR KIT, master cylinder	Late 79 to * — FX, FXS, FXEF, FXS-80, FXEF-80
	30	45105-77	WARNING LABEL, master cylinder (DOT 5) (2)	Late 79 to * — FX, FXS, FXEF, FXS-80, FXEF-80
	31	45150-79	REAR BRAKE TUBE	Late 79 to * — FX, FXS, FXEF, FXS-80, FXEF-80
	32	45151-78	REAR BRAKE HOSE	Late 79 to * — FX, FXS, FXEF, FXS-80, FXEF-80
	33	45152-78	BRACKET, brake line tee	Late 79 to * — FX, FXS, FXEF, FXS-80, FXEF-80
	34	50800-71B	BRACKET, foot lever (shot blast & chrome)	Late 79 to * — FX, FXEF, FXEF-80

NOTE: Asterisk (*) indicates part is used for latest model year shown on cover.

**REAR BRAKE CONTROL
1971 TO EARLY 1979**

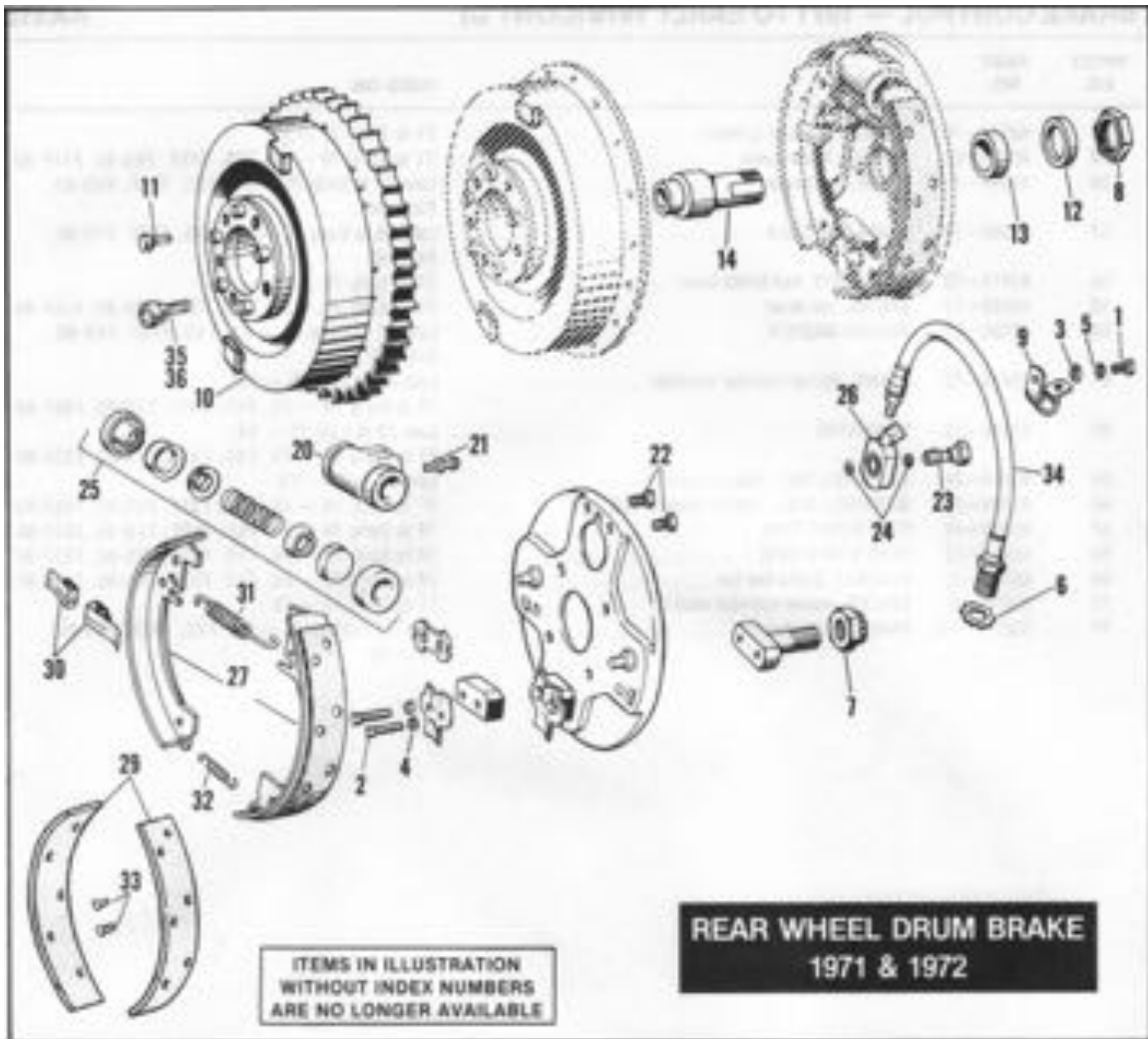


RETAIL PRICE	INDEX NO.	PART NO.	NAME	USED ON
	1	515	COTTER PIN, 1/16 x 1/2	71 to Early 79 — FX, FXS, FXEF, FXS-80, FXEF-80
	2	2652	SCREW, No. 10-16 x 3/8 self tapping hex. washer hd.	71 to Early 72 — FX
	3	3956	BOLT, 5/16-24 x 9/16 hex. hd.	71 to Early 72 — FX
	4	4401W	BOLT, 3/8-24 x 2-3/4 hex. hd.	71 to Early 72 — FX
	5	4420	BOLT, 3/8-16 x 2-3/4 hex. hd.	71 to Early 72 — FX
	6	4434W	BOLT, 3/8-24 x 3-1/4 hex. hd. (2)	Late 72 to Early 79 — FX, FXS, FXEF, FXS-80, FXEF-80
	7	4713W	BOLT, 3/8-16 x 3/4 hex. hd.	71 to Early 72 — FX; 78 to Early 79 — FX, FXS, FXEF, FXS-80, FXEF-80
	8	5982W	SPACER, 3/4 rd.	Late 72 — FX
	9	5983W	SPACER, 5/8 rd. (2)	Late 72 to Early 79 — FX, FXS, FXEF, FXS-80, FXEF-80
	10	6156	WASHER, 3/16 x 3/8 x 1/32 (brass)	71 to Early 79 — FX, FXS, FXEF, FXS-80, FXEF-80
	11	6220W	WASHER, 1/4 x 7/16 x 1/32	71 to Early 79 — FX, FXS, FXEF, FXS-80, FXEF-80
	12	6229W	WASHER, 5/16 x 1-1/16 x 1/16	71 to Early 72 — FX
	13	6448HB	WASHER, 3/8 x 13/16 x 3/32	71 to Early 72 — FX
	14	7038	LOCKWASHER, 3/8	71 to Early 72 — FX; 78 to Early 79 — FX, FXS, FXEF, FXS-80, FXEF-80
	15	7041	LOCKWASHER, 5/16	71 to Early 72 — FX
	16	7744	JAMNUT, 5/16-24 x 3/16 x 1/2 hex.	71 to Early 79 — FX, FXS, FXEF, FXS-80, FXEF-80
	17	7753	NUT, 5/16-24 x 1/4 x 1/2 hex.	71 to Early 72 — FX
	18	7783	NUT, 3/8-16 x 5/16 x 9/16 hex.	78 to Early 79 — FX, FXS, FXEF, FXS-80, FXEF-80
	19	7800W	NUT, 3/8-24 x 5/16 x 9/16 hex.	71 to Early 72 — FX
	20	9851	GREASE FITTING	71 to Early 72 — FX
	21	10006	STRAP, brake tube to frame (2)	71 to Early 72 — FX
	22	11137	O-RING, repair kit	71 to Early 79 — FX, FXS, FXEF, FXS-80, FXEF-80
	23	24892-54	WASHER, brake pedal pivot	Late 73 to Early 79 — FX, FXS, FXEF, FXS-80, FXEF-80
	24	25715-71	GREASE FITTING, rear brake pedal	71 to Early 79 — FX, FXS, FXEF, FXS-80, FXEF-80
	25	38712-68	CLAMP, front brake tube — small	71 to Early 72 — FX
	26	41761-58	MASTER CYLINDER	71 & 72 — FX
	28	41761-78	MASTER CYLINDER	73 to Early 79 — FX, FXS, FXEF, FXS-80, FXEF-80
	29	41762-58A	REPAIR KIT, master cylinder	71 to Early 79 — FX, FXS, FXEF, FXS-80, FXEF-80
	30	41764-70	RUBBER BOOT, master cylinder	71 to Early 79 — FX, FXS, FXEF, FXS-80, FXEF-80
	31	41765-58	FILLER PLUG, master cylinder	71 to Early 79 — FX, FXS, FXEF, FXS-80, FXEF-80
	32	41766-58	WASHER, filler plug	71 to Early 79 — FX, FXS, FXEF, FXS-80, FXEF-80
	33	41769-58	MASTER CYLINDER SPRING, with cap, valve and seat	71 to Early 79 — FX, FXS, FXEF, FXS-80, FXEF-80
	34	41786-79	WARNING LABEL, filler cap	MID 79 — FX, FXS, FXEF, FXS-80, FXEF-80
	35	41835-69	SPRING, foot lever	71 to Early 72 — FX
	37	42257-72	BRAKE ROD	Late 72 to Early 79 — FX, FXS, FXEF, FXS-80, FXEF-80
	38	42289-30	PIN, rear brake rod clevis	71 to Early 79 — FX, FXS, FXEF, FXS-80, FXEF-80
	39	42289-70	CLEVIS PIN	71 to Early 72 — FX
	40	42299-72	SUPPORT BRACKET	Late 72 to Early 79 — FX, FXS, FXEF, FXS-80, FXEF-80
	41	42303-70A	REAR BRAKE TUBE	71 to Early 72 — FX
	42	42304-70A	FRONT TUBE	71 to Early 72 — FX
	43	42309-70	BRAKE LINE TEE	71 to Early 72 — FX
	44	42311-58	PLUG, rear brake line	71 to Early 72 — FX
	45	42314-71A	BRACKET, brake front tube	Early 72 — FX
	47	42318-72	BRAKE LINE TEE	Late 72 — FX; 78 to Early 79 — FX, FXS, FXEF, FXS-80, FXEF-80
	48	42319-72	HOSE PAD, brake front tube	Early 72 — FX
	49	42321-71	BRAKE TUBE KIT, front (rubber mounted)	71 to Early 72 — FX
	50	42327-70	CLAMP, brake front tube — large	71 to Early 72 — FX
	51	42330-71	CLEVIS, brake rod	71 to Early 72 — FX
	52	42330-72	CLEVIS, brake rod	Late 72 to Early 79 — FX, FXS, FXEF, FXS-80, FXEF-80

**REAR BRAKE CONTROL
1971 TO EARLY 1979**

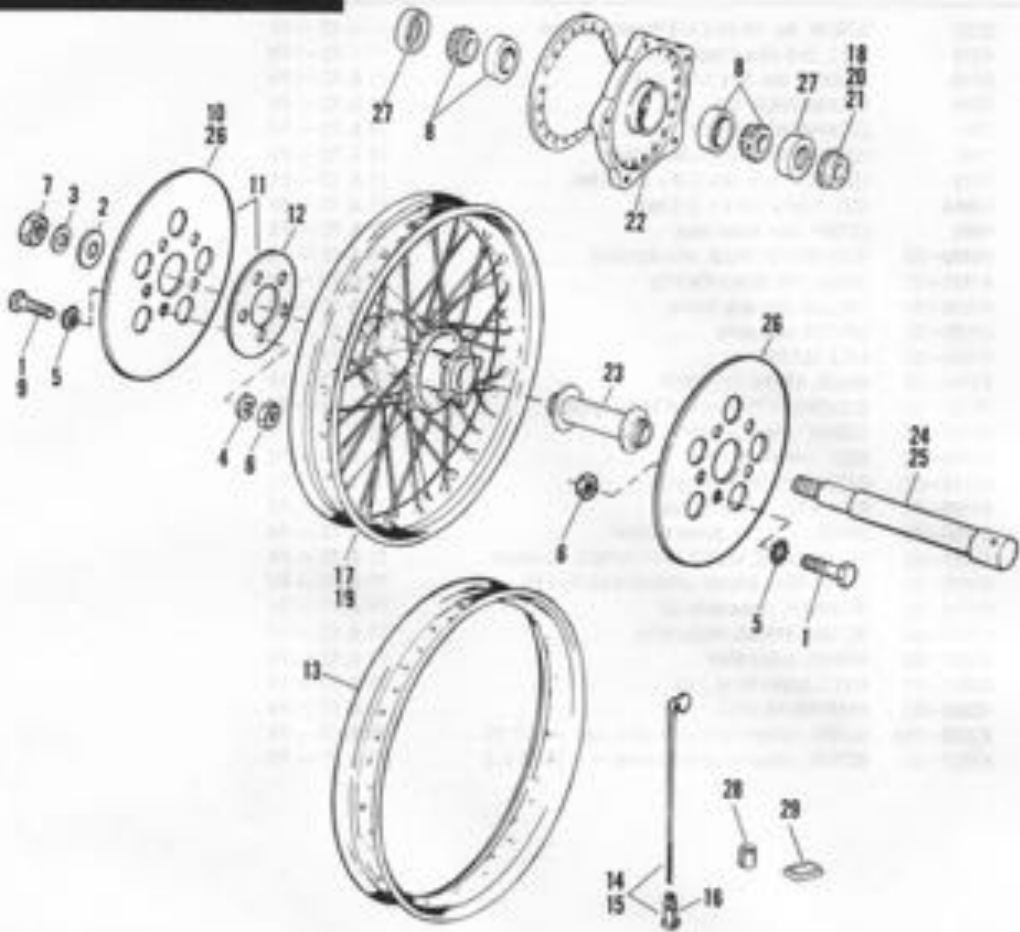


RETAIL PRICE	INDEX NO.	PART NO.	N A M E	USED ON
	53	42333-70	PLUNGER, master cylinder	71 to Early 72 — FX
	54	42394-65	RUBBER, brake pedal	71 to Early 79 — FX, FXS, FXEF, FXS-80, FXEF-80
	56	42399-72A	LEVER, foot brake	Late 72 to Early 78 — FX, FXS, FXEF, FXS-80, FXEF-80
	57	42399-78	LEVER, foot brake	Late 78 to Early 79 — FX, FXS, FXEF, FXS-80, FXEF-80
	58	42411-70	STOP PLATE, foot brake lever	71 to Early 72 — FX
	59	42425-71	SPRING, foot lever	71 to Early 79 — FX, FXS, FXEF, FXS-80, FXEF-80
	60	42436-72	RUBBER WASHER	Late 72 to Early 79 — FX, FXS, FXEF, FXS-80, FXEF-80
	61	42438-72	CLAMP, master cylinder insulator	Late 72 to Late 75 — FX, 77 to Early 79 — FX, FXS, FXEF, FXS-80, FXEF-80
	62	42440-72	INSULATOR	Late 72 to Late 75 — FX, 77 to Early 79 — FX, FXS, FXEF, FXS-80, FXEF-80
	65	45044-74	WARNING LABEL, master cylinder	Late 74 to 76 — FX
	66	45105-77	WARNING LABEL, master cylinder (DOT 5)	77 to Early 79 — FX, FXS, FXEF, FXS-80, FXEF-80
	67	45150-78	REAR BRAKE TUBE	78 to Early 79 — FX, FXS, FXEF, FXS-80, FXEF-80
	68	45151-78	REAR BRAKE HOSE	78 to Early 79 — FX, FXS, FXEF, FXS-80, FXEF-80
	69	45152-78	BRACKET, brake line tee	78 to Early 79 — FX, FXS, FXEF, FXS-80, FXEF-80
	70	50868-35	SPACER, master cylinder stud (2)	71 to Early 72 — FX
	71	50800-71B	BRACKET, foot lever	Late 72 to Early 79 — FX, FXS, FXEF, FXS-80, FXEF-80



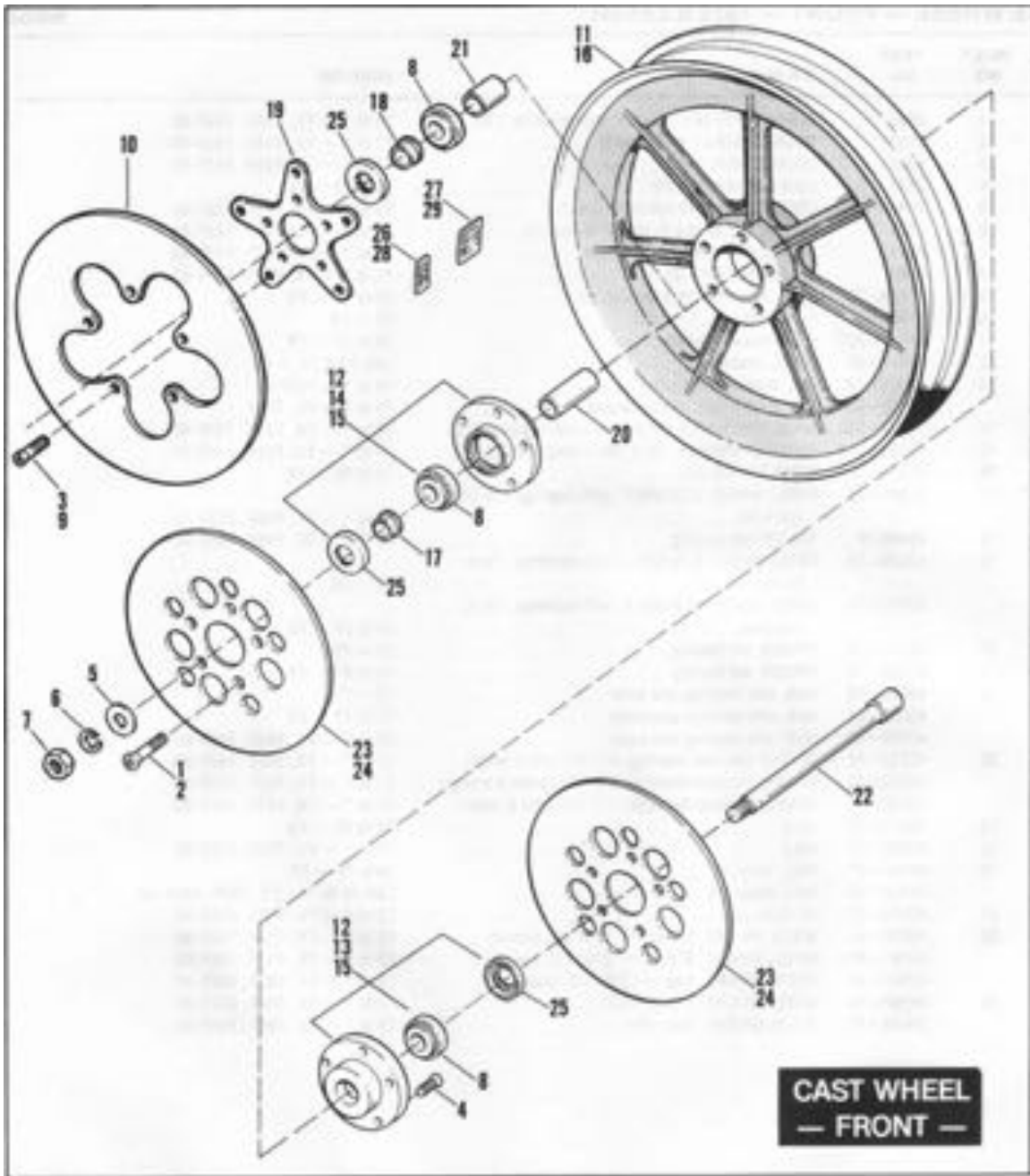
RETAIL PRICE	INDEX NO.	PART NO.	N A M E	USED ON
	1	2592	SCREW, No. 10-24 x 1/2 Pozidriv pan hd.	71 & 72 — FX
	2	4319	BOLT, 3/8-24 x 1 hex. hd. (2)	71 & 72 — FX
	3	6716	WASHER, No. 10 x 1/2 x 3/64	71 & 72 — FX
	4	7038	LOCKWASHER, 3/8	71 & 72 — FX
	5	7069	LOCKWASHER, No. 10	71 & 72 — FX
	6	7242	LOCKWASHER, 5/8 external teeth	71 & 72 — FX
	7	7993	LOCKNUT, 5/8-18 x 3/8 x 15/16 hex.	71 & 72 — FX
	8	8095A	NUT, 1-20 x 3/8 x 1-3/8 hex.	71 & 72 — FX
	9	9995	CLAMP, rear brake hose	71 & 72 — FX
	10	41400-67	REAR BRAKE DRUM, with sprocket	71 & 72 — FX
	11	41425-37	DOWEL PIN, brake shell (5)	71 & 72 — FX
	12	41596-30	COLLAR, rear axle sleeve	71 & 72 — FX
	13	41598-63	SPACER, side plate	71 & 72 — FX
	14	41600-67	AXLE SLEEVE	71 & 72 — FX
	20	41740-63	WHEEL BRAKE CYLINDER	71 & 72 — FX
	21	41741-63	BLEEDER FITTING, wheel brake cylinder	71 & 72 — FX
	22	41742-58	SCREW, wheel cylinder	71 & 72 — FX
	23	41743-58	BOLT, wheel cylinder	71 & 72 — FX
	24	41744-58	GASKET, cylinder fitting (2)	71 & 72 — FX
	25	41748-63	REPAIR KIT, wheel cylinder	71 & 72 — FX
	26	41750-63	SWIVEL FITTING, brake cylinder	71 & 72 — FX
	27	41801-63	SET OF BRAKE SHOES AND LININGS, standard	71 & 72 — FX
	29	41808-63	SET OF REAR BRAKE LININGS AND RIVETS	71 & 72 — FX
	30	41835-58	RETAINER, brake shoe (2)	71 & 72 — FX
	31	41836-63	RETURN SPRING, brake shoe	71 & 72 — FX
	32	41837-63	SPRING, brake shoe	71 & 72 — FX
	33	41841-31	RIVET, brake lining (18)	71 & 72 — FX
	34	42300-63	REAR BRAKE HOSE	71 & 72 — FX
	35	43530-35A	SCREW, wheel mounting socket, std. — 3/8-20	71 & 72 — FX
	36	43531-35	SCREW, wheel mounting socket — 7/16-20 O.S.	71 & 72 — FX

**SPOKE WHEEL — FRONT
1973 & LATER**



RETAIL PRICE	INDEX NO.	PART NO.	N A M E	USED ON
	1	3680	SCREW, 5/16-18 x 7/8 ctk. socket flat hd. (10)	78 to * — FX, FXEF, FXEF-80
	2	6653	WASHER, 5/8 x 1-5/16 x 3/32	73 to * — FX, FXEF, FXEF-80
	3	7022	LOCKWASHER, 5/8	73 to * — FX, FXEF, FXEF-80
	4	7036	LOCKWASHER, 3/8 (5)	Early 73 — FX
	5	7145W	LOCKWASHER, 3/8 external tooth (5)	73 to * — FX, FXEF, FXEF-80
	6	7776	LOCKNUT, 3/8-16 x 7/16 x 9/16 hex. (5)	73 to * — FX, FXEF, FXEF-80
	7	7813	NUT, 5/8-18 x 9/16 x 15/16 hex.	73 to * — FX, FXEF, FXEF-80
	8	9052	ROLLER BEARING (2)	73 to * — FX, FXEF, FXEF-80
	9	41198-73	BOLT, 3/8-16 x 1 thin hex. hd. (5)	73 to 77 — FX
	10	41807-73	DISC, brake	73 — FX
	11	41806-72B	DISC, brake with plate	74 to 77 — FX
	12	41814-76	PLATE, brake disc	Late 76 & 77 — FX
	13	43001-79	RIM, front wheel, 19 in.	80 to * — FXEF-80
		43016-73	RIM, front wheel, 19 in. (chrome)	73 to * — FX, FXEF
	14	43024-73A	SPOKE AND NIPPLE, 19 in. rim — short (metric) (20)	73 to * — FX, FXEF, FXEF-80
	15	43025-73A	SPOKE AND NIPPLE, 19 in. rim — long (metric) (20)	73 to * — FX, FXEF, FXEF-80
	16	43099-29	SPOKE NIPPLE (20)	73 to 76 — FX
	17	43341-78	FRONT WHEEL ASSEMBLY, with bearings, 19 in. (chrome)	78 to * — FX, FXEF, FXEF-80
	18	43488-77	SPACER, left bearing	78 to * — FX, FXEF, FXEF-80
	19	43509-73	FRONT WHEEL ASSEMBLY, with bearings, 19 in. (chrome)	73 — FX
		43509-74	FRONT WHEEL ASSEMBLY, with bearings, 19 in. (chrome)	74 to 77 — FX
	20	43548-73	SPACER, left bearing	73 — FX
	21	43548-74	SPACER, left bearing	74 to 77 — FX
	22	43600-73	HUB, with bearings and seals	73 — FX
		43600-74	HUB, with bearings and seals	74 to 77 — FX
		43600-78	HUB, with bearings and seals	78 to * — FX, FXEF, FXEF-80
	23	43633-74	SPACER, between bearings — 2.162 (red & white)	73 to * — FX, FXEF, FXEF-80
		43634-74	SPACER, between bearings — 2.177 (green & orange)	73 to * — FX, FXEF, FXEF-80
		43635-74	SPACER, between bearings — 2.148 (gold & violet)	73 to * — FX, FXEF, FXEF-80
	24	43871-73	AXLE	73 to 76 — FX
	25	43883-77	AXLE	77 to * — FX, FXEF, FXEF-80
	26	44137-77	DISC, brake (2)	Early 78 — FX
		44137-79	DISC, brake (2)	Late 78 to * — FX, FXEF, FXEF-80
	27	47519-72	OIL SEAL (2)	73 to * — FX, FXEF, FXEF-80
	28	95578-41	WHEEL WEIGHT, 1/2 oz. — .275" I.D. (round)	73 to * — FX, FXEF, FXEF-80
		95581-47	WHEEL WEIGHT, 3/4 oz. — .275" I.D. (round)	73 to * — FX, FXEF, FXEF-80
		95582-47	WHEEL WEIGHT, 1 oz. — .275" I.D. (round)	73 to * — FX, FXEF, FXEF-80
	29	95587-75	WHEEL WEIGHT, 1/2 oz. (flat)	73 to * — FX, FXEF, FXEF-80
		95588-75	WHEEL WEIGHT, 1 oz. (flat)	73 to * — FX, FXEF, FXEF-80

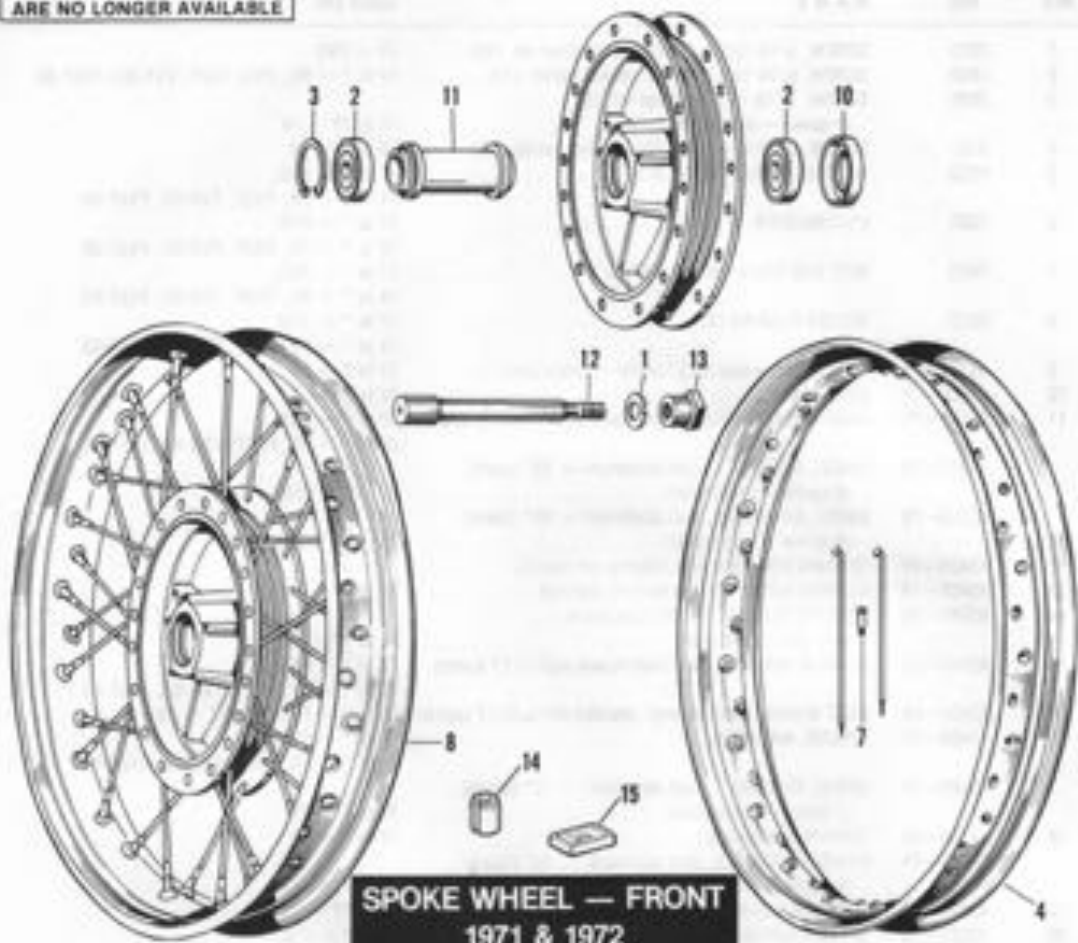
NOTE: Asterisk (*) indicates part is used for latest model year shown on cover.



RETAIL PRICE	INDEX NO.	PART NO.	NAME	USED ON
	1	2853	SCREW, 5/16-18 x 1-1/2 ctsk. flat socket hd. (10)	77 — FXS
	2	3680	SCREW, 5/16-18 x 7/8 ctsk. socket flat hd. (10)	78 to * — FX, FXS, FXEF, FXS-80, FXEF-80
	3	3685	SCREW, 5/16-18 x 1 socket hd. (5) (9 spoke — single disc)	74 to 77 — FX
	4	3781	SCREW, 5/16-18 x 1-1/4 ctsk. socket flat hd. (10)	74 to * — FX
	5	6653	WASHER, 5/8 x 1-5/16 x 3/32	77 to * — FXS; 74 to * — FX, FXEF, FXS-80, FXEF-80
	6	7022	LOCKWASHER, 5/8	77 to * — FXS; 74 to * — FX, FXEF, FXS-80, FXEF-80
	7	7813	NUT, 5/8-18 x 9/16 x 15/16 hex	77 to * — FXS; 74 to * — FX, FXEF, FXS-80, FXEF-80
	8	9052	ROLLER BEARING (2)	77 to * — FXS; 74 to * — FX, FXEF, FXS-80, FXEF-80
	9	41191-74	SCREW, brake disc (5) (7 spoke — single disc)	74 to * — FX
	10	41807-74	DISC, brake	74 to 77 — FX
	11	43311-78	CAST WHEEL, with bearings, spacers and seals (9 spoke)	77 to * — FXS; 78 to * — FX, FXEF, FXS-80, FXEF-80
		43315-78	WHEEL ASSEMBLY, cast aluminum — 19" (gold) (9 spoke — single disc)	78 — FX, FXS
		43320-78	WHEEL ASSEMBLY, cast aluminum — 19" (black) (9 spoke — single disc)	78 — FX, FXS
	12	43434-79	BEARING HOUSING, with bearing and seal (2)	77 — FXS
	13	43435-79	BEARING HOUSING, with bearing and seal	74 to 77 — FX
	14	43444-79	BEARING HOUSING — left (disc side) with bearing and seal	74 to 77 — FX
	15	43445-79	BEARING HOUSING, with bearing and seal (2) (7 spoke)	77 to * — FXS; 78 to * — FX, FXEF, FXS-80, FXEF-80
	16	43481-78	CAST WHEEL, with bearings, spacers and seals (7 spoke)	77 to * — FXS; 78 to * — FX
	17	43488-77	SPACER, left bearing	77 to * — FXS; 78 to * — FX, FXEF, FXS-80, FXEF-80
		43522-77	WHEEL ASSEMBLY, cast aluminum — 19" (black) (7 spoke — single disc)	74 to * — FX
	18	43548-74	SPACER, left bearing	74 to * — FX
		43615-74	WHEEL ASSEMBLY, cast aluminum — 19" (black) (9 spoke — single disc)	74 to 77 — FX
	19	43618-74	ADAPTER, brake disc (9 spoke — single disc)	74 to 77 — FX
	20	43623-78	SPACER, between bearings — 2.564 (violet)	77 to * — FXS; 78 to * — FX, FXEF, FXS-80, FXEF-80
		43624-78	SPACER, between bearings — 2.550 (pink)	77 to * — FXS; 78 to * — FX, FXEF, FXS-80, FXEF-80
		43625-78	SPACER, between bearings — 2.536 (gold)	77 to * — FXS; 78 to * — FX, FXEF, FXS-80, FXEF-80
	21	43633-74	SPACER, between bearings — 2.162 (red & white)	74 to * — FX
		43634-74	SPACER, between bearings — 2.177 (green & orange)	74 to * — FX
		43635-74	SPACER, between bearings — 2.148 (gold & violet)	74 to * — FX
	22	43883-77	FRONT AXLE	77 to * — FX, FXS
	23	44137-77	DISC (2)	77 to Early 78 — FXS; Early 78 — FX
	24	44137-79	DISC (2)	Late 78 to * — FX, FXS, FXEF, FXS-80, FXEF-80
	25	47519-72	SEAL (2)	77 to * — FXS; 74 to * — FX, FXEF, FXS-80, FXEF-80
	26	95590-77	WHEEL WEIGHT, 1/2 oz. (black)	77 to * — FXS; 74 to * — FX, FXEF, FXS-80, FXEF-80
	27	95591-77	WHEEL WEIGHT, 1 oz. (black)	77 to * — FXS; 74 to * — FX, FXEF, FXS-80, FXEF-80
	28	95592-78	WHEEL WEIGHT, 1/2 oz. (gold)	78 — FX, FXS
	29	95593-78	WHEEL WEIGHT, 1 oz. (gold)	78 — FX, FXS

NOTE: Asterisk (*) indicates part is used for latest model year shown on cover.

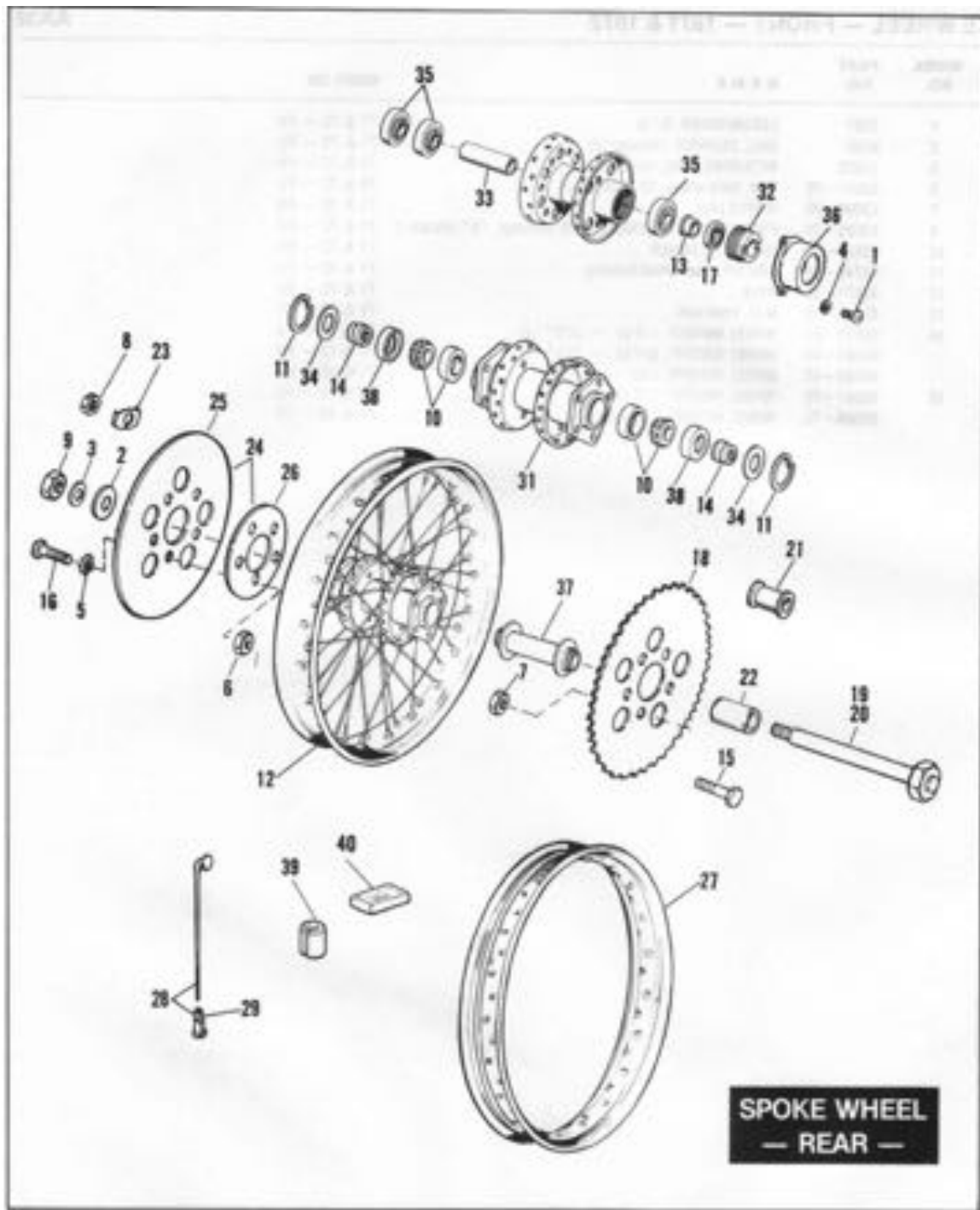
ITEMS IN ILLUSTRATION
WITHOUT INDEX NUMBERS
ARE NO LONGER AVAILABLE



SPOKE WHEEL — FRONT
1971 & 1972

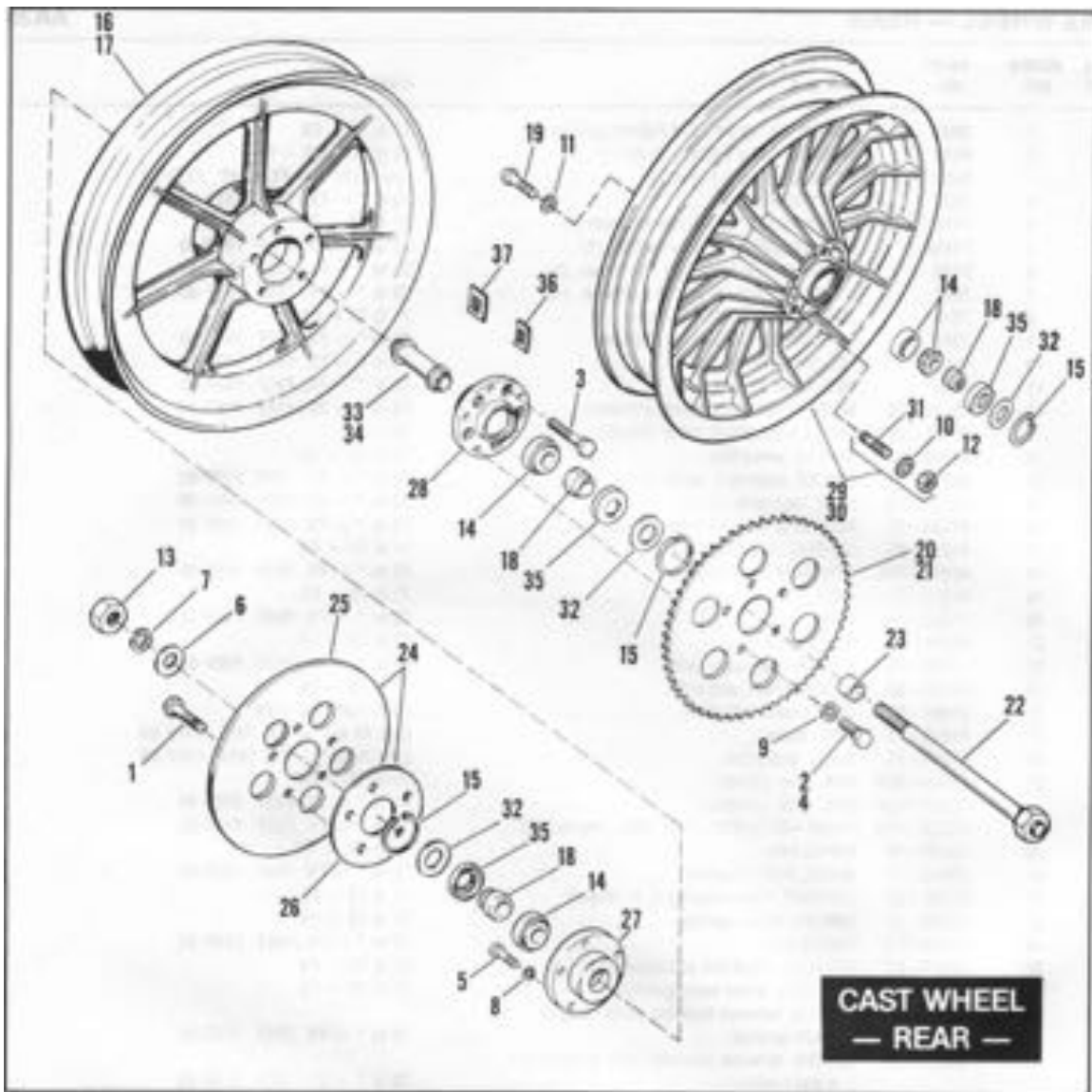
RETAIL PRICE	INDEX NO.	PART NO.	NAME	USED ON
	1	7067	LOCKWASHER, 9/16	71 & 72 — FX
	2	9009	BALL BEARING, shielded (2)	71 & 72 — FX
	3	11035	RETAINING RING, front hub	71 & 72 — FX
	4	43002-70	RIM, front wheel, 19" (chrome)	71 & 72 — FX
	7	43099-29	NIPPLE (40)	71 & 72 — FX
	8	43505-70	FRONT WHEEL ASSEMBLY, with bearings, 19" (chrome)	71 & 72 — FX
	10	43638-52	GREASE RETAINER	71 & 72 — FX
	11	43740-64	SPACER, front wheel bearing	71 & 72 — FX
	12	43871-52	AXLE	71 & 72 — FX
	13	43886-52	NUT, front axle	71 & 72 — FX
	14	95578-41	WHEEL WEIGHT, 1/2 oz. — .275" I.D.	71 & 72 — FX
		95581-47	WHEEL WEIGHT, 3/4 oz. — .275" I.D.	71 & 72 — FX
		95582-47	WHEEL WEIGHT, 1 oz. — .275" I.D.	71 & 72 — FX
	15	95587-75	WHEEL WEIGHT, 1/2 oz. (flat)	71 & 72 — FX
		95588-75	WHEEL WEIGHT, 1 oz. (flat)	71 & 72 — FX





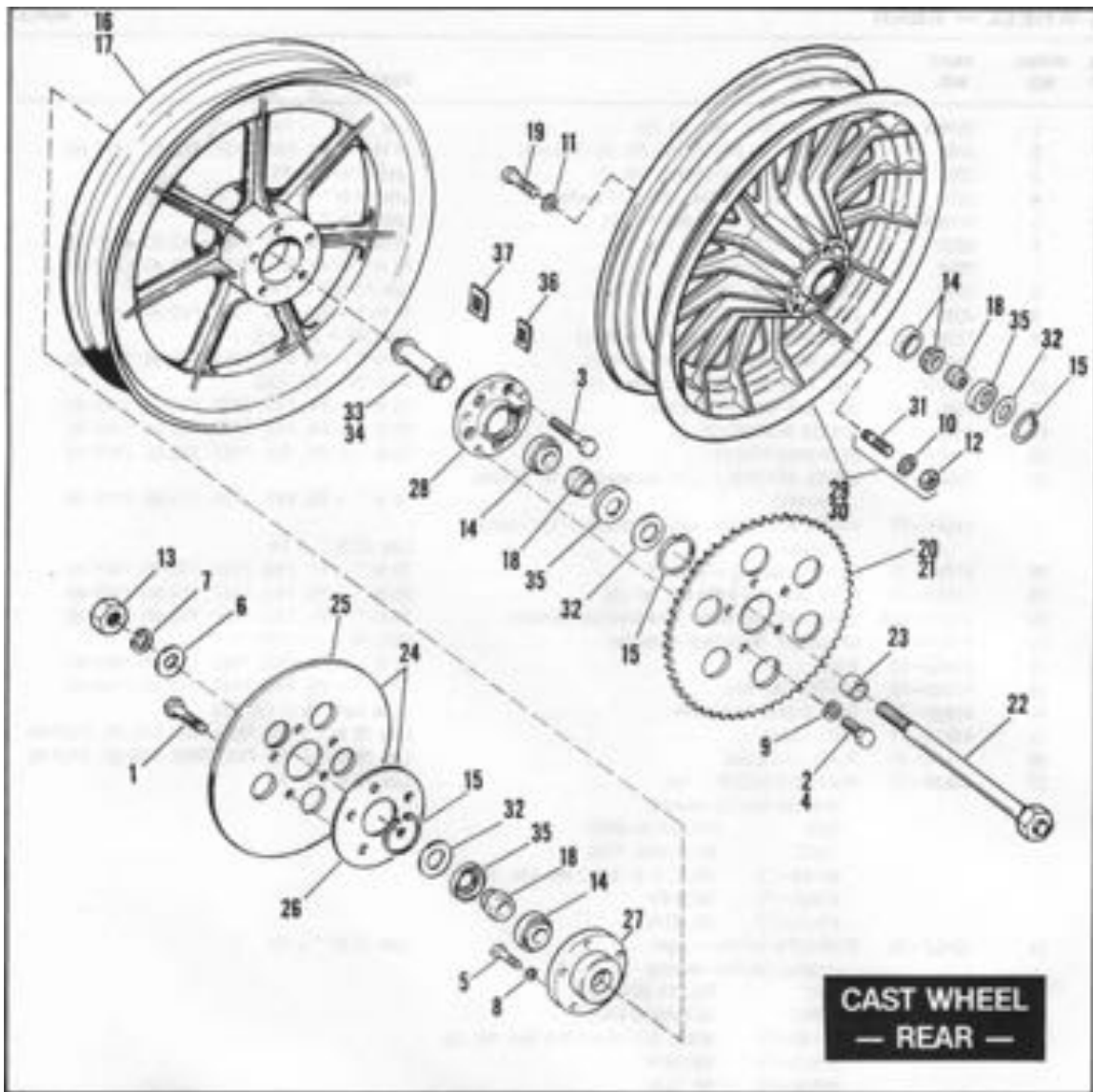
RETAIL PRICE	INDEX NO.	PART NO.	NAME	USED ON
	1	2660	SCREW, No. 10-24 x 3/8 Pozidriv pan hd. (2)	71 & 72 — FX
	2	6653	WASHER, 5/8 x 1-5/16 x 3/32	73 to Early 78 — FX
		6655	WASHER, 5/8 x 1-1/2 x 1/8	Late 78 to * — FX, FXEF, FXEF-80
	3	7022	LOCKWASHER, 5/8	73 to * — FX, FXEF, FXEF-80
	4	7118	LOCKWASHER, No. 10 internal tooth (2)	71 & 72 — FX
	5	7145W	LOCKWASHER, 3/8 external tooth (5)	73 to * — FX, FXEF, FXEF-80
	6	7778	LOCKNUT, 3/8-16 x 7/16 x 9/16 hex. (5)	73 to * — FX, FXEF, FXEF-80
	7	7825	LOCKNUT, 7/16-20 x 7/16 x 5/8 hex. (5)	73 to * — FX, FXEF, FXEF-80
	8	7980	NUT, 5/8-18 x 7/16 x 7/8 hex.	71 & 72 — FX
	9	7986	NUT, 5/8-18 x 7/16 x 1-1/16 hex.	73 to * — FX, FXEF, FXEF-80
	10	9052	ROLLER BEARING (2)	73 to * — FX, FXEF, FXEF-80
	11	11027	RETAINING RING (2)	73 to * — FX, FXEF, FXEF-80
	12	40968-73	WHEEL ASSEMBLY, 16 in. (chrome)	73 to * — FX, FXEF, FXEF-80
		40981-73	WHEEL ASSEMBLY, 16 in. (black)	78 — FX
	13	41196-55	SPACER, wheel hub	71 & 72 — FX
	14	41196-73	SPACER, bearing — outer (2)	73 to * — FX, FXEF, FXEF-80
	15	41197-73	BOLT, near sprocket (5)	73 to * — FX, FXEF, FXEF-80
	16	41198-73	BOLT, 3/8-16 x 1 thin hex. hd. (5)	73 to * — FX, FXEF, FXEF-80
	17	41210-55	OIL SEAL, wheel bearing	71 & 72 — FX
	18	41470-73A	SPROCKET, rear wheel	73 to * — FX, FXEF, FXEF-80
	19	41552-67	AXLE	71 & 72 — FX
	20	41552-73	AXLE	73 to * — FX, FXEF, FXEF-80
	21	41595-67	SPACE, axle	71 & 72 — FX
	22	41595-73	SPACER, rear axle — left	73 to * — FX, FXEF, FXEF-80
	23	41603-32	LOCKWASHER, axle nut	71 & 72 — FX
	24	41806-72B	DISC, brake, with plate	73 to Early 78 — FX
	25	41813-79	DISC, brake	Late 78 to * — FX, FXEF, FXEF-80
	26	41814-76	PLATE, brake disc	Late 76 to * — FX, FXEF, FXEF-80
	27	43006-40A	RIM, 16 in. (black)	71 to 78 — FX
		43007-40A	RIM, 16 in. (chrome)	71 to * — FX, FXEF, FXEF-80
	28	43032-40A	SPOKE AND NIPPLE, 16 in. rim — metric (40)	71 to * — FX, FXEF, FXEF-80
	29	43099-29	NIPPLE (40)	71 to 76 — FX
	31	43540-73	WHEEL HUB, complete	73 to * — FX, FXEF, FXEF-80
	32	43542-67	LOCKNUT, wheel bearing (L.H. thread)	71 & 72 — FX
	33	43549-67	SPACER, wheel bearing	71 & 72 — FX
	34	43559-73	WASHER (2)	73 to * — FX, FXEF, FXEF-80
	35	43577-67	BEARING, wheel hub and brake drum (3)	71 & 72 — FX
	36	43592-70	RETAINER, wheel bearing locknut	71 & 72 — FX
	37	43601-78	SPACER, between bearings (with flanges) — 4 420 (orange)	73 to * — FX, FXEF, FXEF-80
		43602-78	SPACER, between bearings (with flanges) — 4 434 (yellow)	73 to * — FX, FXEF, FXEF-80
		43603-78	SPACER, between bearings (with flanges) — 4 448 (white)	73 to * — FX, FXEF, FXEF-80
	38	47519-58	OIL SEAL (2)	73 to * — FX, FXEF, FXEF-80
	39	95578-41	WHEEL WEIGHT, 1/2 oz. — .275" I.D.	71 to * — FX, FXEF, FXEF-80
		95581-47	WHEEL WEIGHT, 3/4 oz. — .275" I.D.	71 to * — FX, FXEF, FXEF-80
		95582-47	WHEEL WEIGHT, 1 oz. — .275" I.D.	71 to * — FX, FXEF, FXEF-80
	40	95587-75	WHEEL WEIGHT, 1/2 oz. (flat)	71 to * — FX, FXEF, FXEF-80
		95588-75	WHEEL WEIGHT, 1 oz. (flat)	71 to * — FX, FXEF, FXEF-80

NOTE: Asterisk (*) indicates part is used for latest model year shown on cover.



RETAIL PRICE	INDEX NO.	PART NO.	NAME	USED ON
	1	2879W	BOLT, 3/8-16 x 1 hex. hd. (5)	Late 77 to * — FX
	2	3789	BOLT, 7/16-14 x 1-1/2 hex. hd. (5) (9 spoke)	74 to * — FX, FXS, FXEF, FXS-80, FXEF-80
	3	3782	BOLT, 7/16-14 x 1-1/4 hex. hd. (5)	Late 77 to * — FX
	4	3854	BOLT, 7/16-14 x 1 hex. hd. (5) (7 spoke)	Late 77 to * — FX
	5	4718W	BOLT, 3/8-16 x 1-1/4 hex. hd. (5)	Late 77 to * — FX
	6	6655	WASHER, 5/8 x 1-1/2 x 1/8	73 to * — FX, FXS, FXEF, FXS-80, FXEF-80
	7	7022	LOCKWASHER, 5/8	73 to * — FX, FXS, FXEF, FXS-80, FXEF-80
	8	7038	LOCKWASHER, 3/8 (5)	Late 77 to * — FX
	9	7039	LOCKWASHER, 7/16 (5)	74 to * — FX, FXS, FXEF, FXS-80, FXEF-80
	10	7136	LOCKWASHER, 7/16 internal tooth (5)	73 to 78 — FX, FXS
	11	7145W	LOCKWASHER, 3/8 external tooth (5)	73 to * — FX, FXS, FXEF, FXS-80, FXEF-80
	12	7837W	NUT, 7/16-20 x 3/8 x 11/16 hex. (5)	73 to 78 — FX, FXS
	13	7986	NUT, 5/8-18 x 7/16 x 1 hex.	73 to * — FX, FXS, FXEF, FXS-80, FXEF-80
	14	9052	ROLLER BEARING (2)	73 to * — FX, FXS, FXEF, FXS-80, FXEF-80
	15	11027	RETAINING RING (2)	73 to * — FX, FXS, FXEF, FXS-80, FXEF-80
	16	40986-74	WHEEL ASSEMBLY, cast aluminum — 16" (black) (9 spoke)	74 to * — FX, FXS, FXEF, FXS-80, FXEF-80
	17	41041-77	WHEEL ASSEMBLY, cast aluminum — 16" (black) (7 spoke)	Late 77 to * — FX
	18	41196-73	SPACER, bearing — outer (2)	73 to * — FX, FXS, FXEF, FXS-80, FXEF-80
	19	41198-73	BOLT, 3/8-16 x 1 thin hex. hd. (5)	73 to * — FX, FXS, FXEF, FXS-80, FXEF-80
	20	41470-73A	SPROCKET, rear wheel (shot blast and chrome)	73 to * — FX, FXS, FXEF, FXS-80, FXEF-80
	21	41470-78	SPROCKET, rear wheel — chrome	Early 78 — FX, FXS
	22	41552-73	AXLE	73 to * — FX, FXS, FXEF, FXS-80, FXEF-80
	23	41595-73	SPACER, rear axle	73 to * — FX, FXS, FXEF, FXS-80, FXEF-80
	24	41806-728	DISC, brake — with plate	73 to Early 78 — FX, FXS
	25	41813-79	DISC, brake	Late 78 to * — FX, FXS, FXEF, FXS-80, FXEF-80
	26	41814-76	PLATE, brake disc	Late 76 to * — FX, FXS, FXEF, FXS-80, FXEF-80
	27	43436-79	BEARING HOUSING — left Includes besides housing: 9052 ROLLER BEARING 11027 RETAINING RING 41196-73 BOLT, 3/8-16 x 1 thin hex. hd. (5) 43559-73 WASHER 47519-72 OIL SEAL	Late 77 to * — FX
	28	43437-79	BEARING HOUSING — right Includes besides housing: 9052 ROLLER BEARING 11027 RETAINING RING 41196-73 BOLT, 3/8-16 x 1 thin hex. hd. (5) 43559-73 WASHER 47519-72 OIL SEAL	Late 77 to * — FX
	29	43483-77	WHEEL ASSEMBLY, cast aluminum — with bearings & seals (black finish) Includes besides wheel: 7136 LOCKWASHER, 7/16 internal tooth (5) 7837W NUT, 7/16-20 x 3/8 x 11/16 hex. (5) 43532-73 STUD (5)	73 to 78 — FX, FXS
	30	43485-75	WHEEL ASSEMBLY, cast aluminum — with bearings & seals (silver finish) Includes besides wheel: 7136 LOCKWASHER, 7/16 internal tooth (5) 7837W NUT, 7/16-20 x 3/8 x 11/16 hex. (5) 43532-73 STUD (5)	73 to 78 — FX
	31	43532-73	STUD (5)	73 to 78 — FX, FXS
	32	43559-73	WASHER (2)	73 to * — FX, FXS, FXEF, FXS-80, FXEF-80

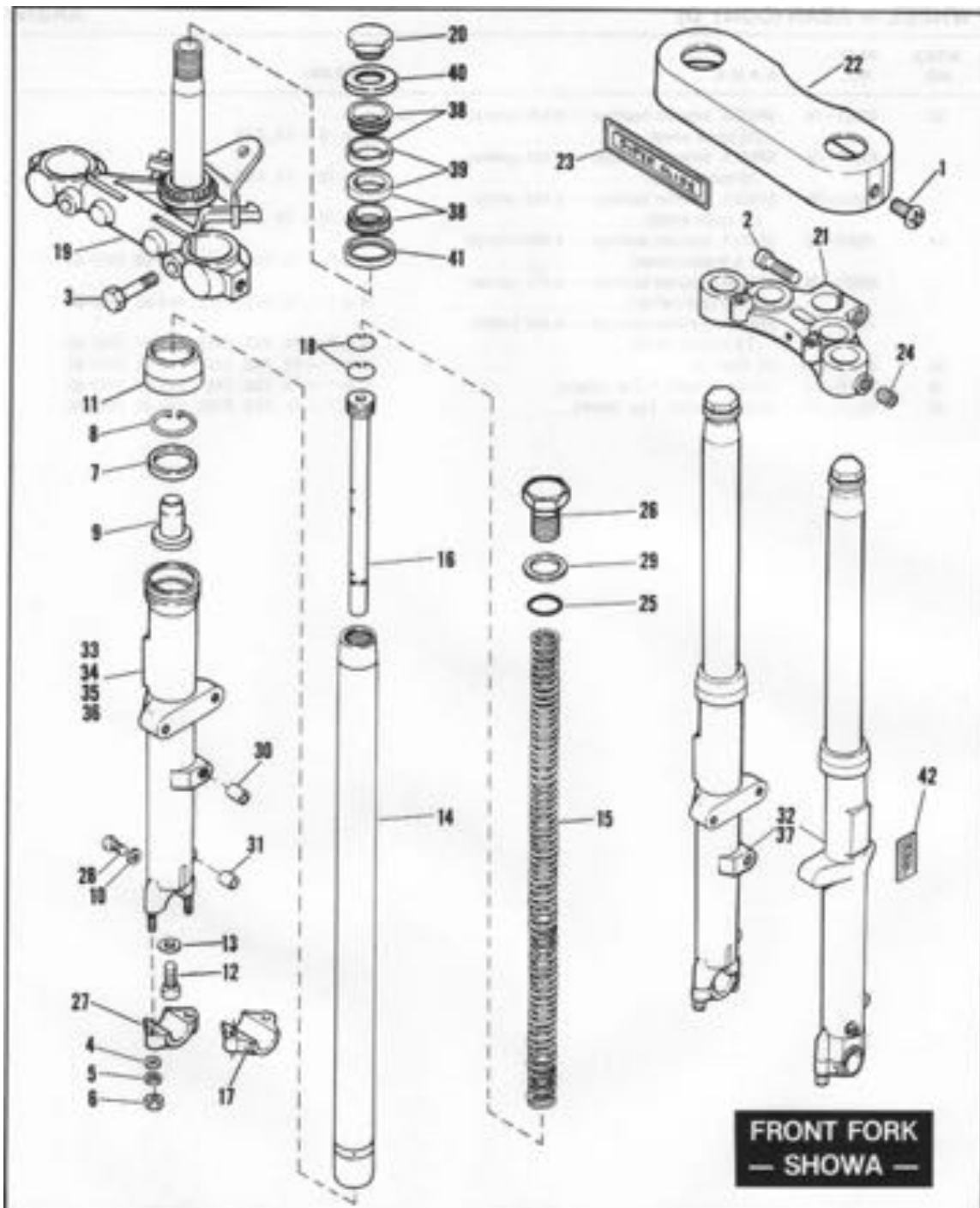
NOTE: Asterisk (*) indicates part is used for latest model year shown on cover.



RETAIL PRICE	INDEX NO.	PART NO.	NAME	USED ON
	33	43601-78	SPACER, between bearings — 4.420 (orange) (16 spoke wheel)	73 to 78 — FX, FXS
		43602-78	SPACER, between bearings — 4.434 (yellow) (16 spoke wheel)	73 to 78 — FX, FXS
		43603-78	SPACER, between bearings — 4.448 (white) (16 spoke wheel)	73 to 78 — FX, FXS
	34	43604-78	SPACER, between bearings — 4.420 (orange) (7 & 9 spoke wheel)	74 to * — FX, FXS, FXEF, FXS-80, FXEF-80
		43605-78	SPACER, between bearings — 4.434 (yellow) (7 & 9 spoke wheel)	74 to * — FX, FXS, FXEF, FXS-80, FXEF-80
		43606-78	SPACER, between bearings — 4.448 (white) (7 & 9 spoke wheel)	74 to * — FX, FXS, FXEF, FXS-80, FXEF-80
	35	47519-72	OIL SEAL (2)	73 to * — FX, FXS, FXEF, FXS-80, FXEF-80
	36	95590-77	WHEEL WEIGHT, 1/2 oz. (black)	73 to * — FX, FXS, FXEF, FXS-80, FXEF-80
	37	95591-77	WHEEL WEIGHT, 1 oz. (black)	73 to * — FX, FXS, FXEF, FXS-80, FXEF-80

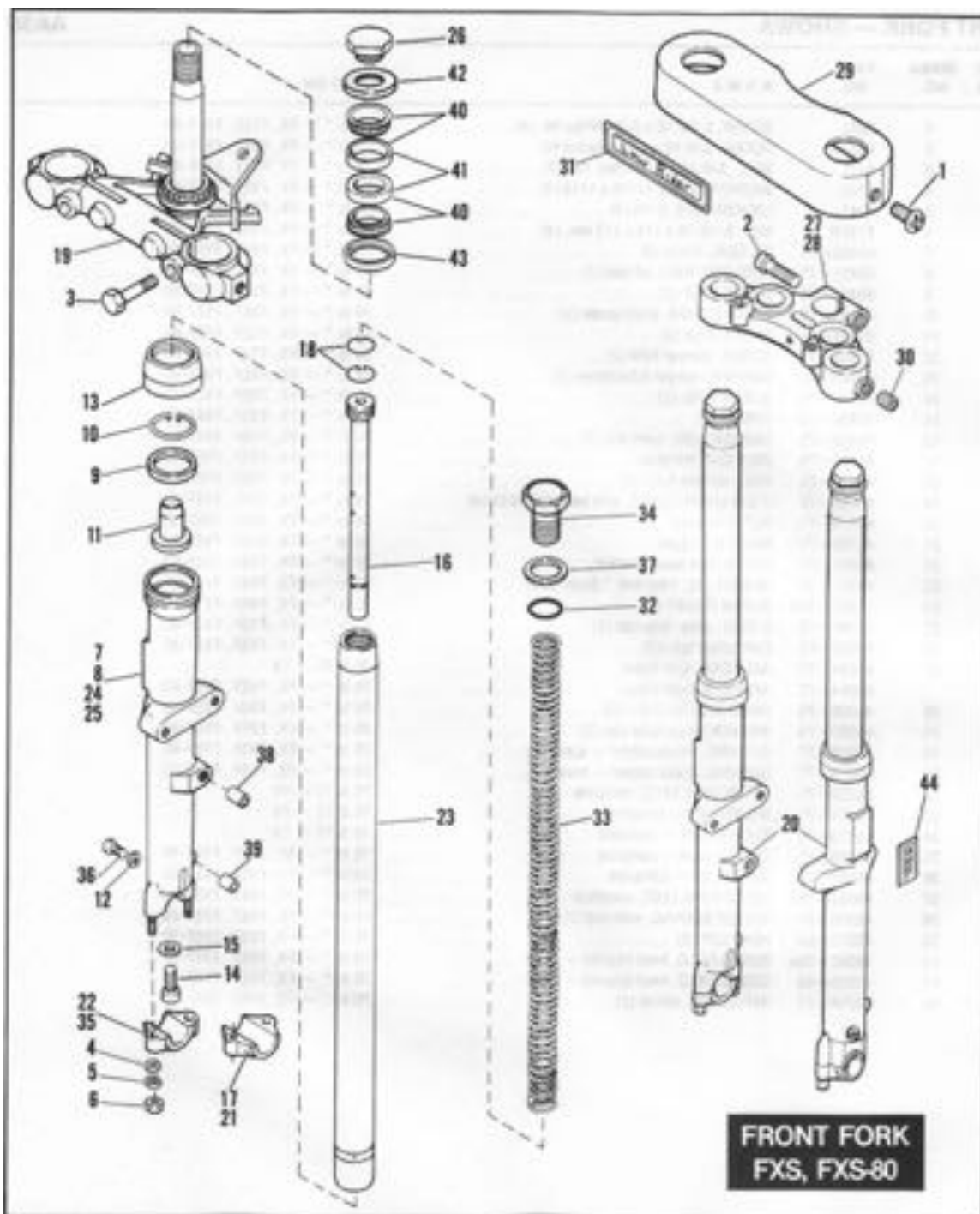
PLEASE HANDLE
— AWAY —

NOTE: Asterisk (*) indicates part is used for latest model year shown on cover.



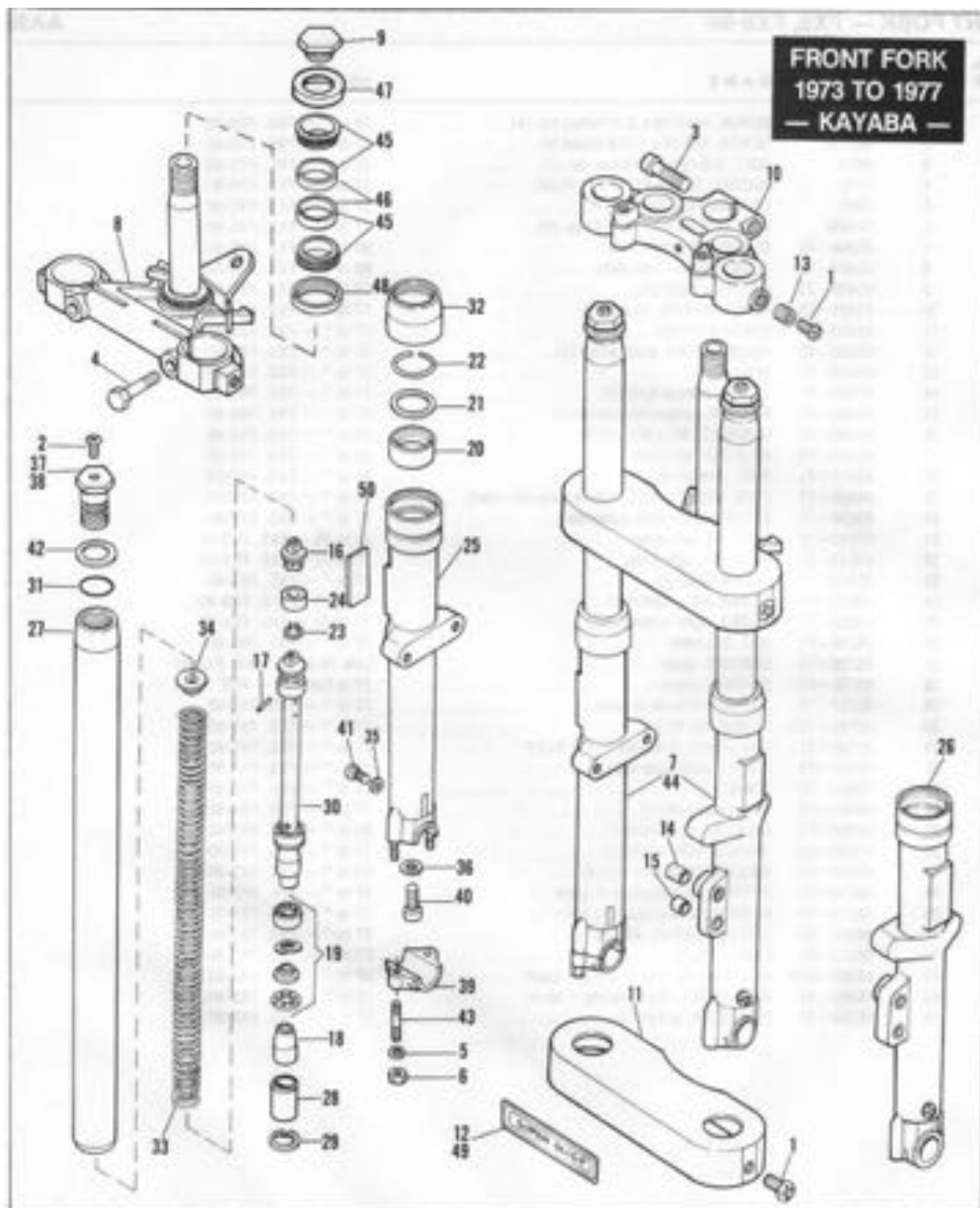
RETAIL PRICE	INDEX NO.	PART NO.	N A M E	USED ON
	1	2823	SCREW, 5/16-18 x 3/8 Phillips hd. (4)	76 to * — FX, FXEF, FXEF-80
	2	4371W	SCREW, 3/8-16 x 1-5/8 socket hd.	76 to * — FX, FXEF, FXEF-80
	3	4411	BOLT, 3/8-24 x 1-3/4 hex. hd. (2)	76 to * — FX, FXEF, FXEF-80
	4	6702	WASHER, 5/16 x 11/16 x 1/16 (4)	76 to * — FX, FXEF, FXEF-80
	5	7041	LOCKWASHER, 5/16 (4)	76 to * — FX, FXEF, FXEF-80
	6	7748W	NUT, 5/16-18 x 1/4 x 1/2 hex. (4)	76 to * — FX, FXEF, FXEF-80
	7	45400-75	OIL SEAL, slider (2)	76 to * — FX, FXEF, FXEF-80
	8	45401-75	RETAINING RING, oil seal (2)	76 to * — FX, FXEF, FXEF-80
	9	45402-75	LOWER STOP (2)	76 to * — FX, FXEF, FXEF-80
	10	45403-75	FIBER WASHER, drain screw (2)	76 to * — FX, FXEF, FXEF-80
	11	45404-75	DUST COVER (2)	76 to * — FX, FXEF, FXEF-80
	12	45405-75	SCREW, damper tube (2)	76 to * — FX, FXEF, FXEF-80
	13	45406-75	WASHER, damper tube screw (2)	76 to * — FX, FXEF, FXEF-80
	14	45407-75	SLIDER TUBE (2)	76 to * — FX, FXEF, FXEF-80
	15	45408-75	SPRING (2)	76 to * — FX, FXEF, FXEF-80
	16	45409-75	DAMPER TUBE, complete (2)	76 to * — FX, FXEF, FXEF-80
	17	45410-75	AXLE CAP, left slider	76 to * — FX, FXEF, FXEF-80
	18	45412-75	RING, damper tube (4)	76 to * — FX, FXEF, FXEF-80
	19	45608-77	STEM AND BRACKET, with bearing and shield	78 to * — FX, FXEF, FXEF-80
	20	45718-71	NUT, fork stem	76 to * — FX, FXEF, FXEF-80
	21	45738-73	BRACKET, upper	76 to * — FX, FXEF, FXEF-80
	22	45751-71	COVER, fork lower bracket	76 to * — FX, FXEF, FXEF-80
	23	45774-77	NAMEPLATE, front fork "Super Slide"	77 to * — FX, FXEF, FXEF-80
	24	45782-72A	SCREW INSERT (2)	76 to * — FX, FXEF, FXEF-80
	25	45982-73	O-RING, slider tube cap (2)	76 to * — FX, FXEF, FXEF-80
	26	45993-73	CAP, slider tube (2)	76 to * — FX, FXEF, FXEF-80
	27	45994-73	AXLE CAP, right slider	76 & 77 — FX
		45994-77	AXLE CAP, right slider	78 to * — FX, FXEF, FXEF-80
	28	45996-73	DRAIN SCREW, slider (2)	76 to * — FX, FXEF, FXEF-80
	29	45997-73	WASHER, slider tube cap (2)	76 to * — FX, FXEF, FXEF-80
	30	46018-77	BUSHING, brake caliper — upper (2)	78 to * — FX, FXEF, FXEF-80
	31	46019-77	BUSHING, brake caliper — lower (2)	78 to * — FX, FXEF, FXEF-80
	32	46023-75	SET OF FORK LEGS, complete	76 & 77 — FX
	33	46024-75	SLIDER, left — complete	76 & 77 — FX
	34	46025-75	SLIDER, right — complete	76 & 77 — FX
	35	46026-77	SLIDER, right — complete	78 to * — FX, FXEF, FXEF-80
	36	46027-77	SLIDER, left — complete	78 to * — FX, FXEF, FXEF-80
	37	46028-78A	SET OF FORK LEGS, complete	78 to * — FX, FXEF, FXEF-80
	38	48300-80	ROLLER BEARING, with cup (2)	76 to * — FX, FXEF, FXEF-80
	39	48315-60	HEAD CUP (2)	76 to * — FX, FXEF, FXEF-80
	40	48362-38A	DUST SHIELD, head bearing — upper	76 to * — FX, FXEF, FXEF-80
	41	48365-48	DUST SHIELD, head bearing — lower	76 to * — FX, FXEF, FXEF-80
	42	59254-72	REFLECTOR, amber (2)	76 to * — FX, FXEF, FXEF-80

NOTE: Asterisk (*) indicates part is used for latest model year shown on cover.

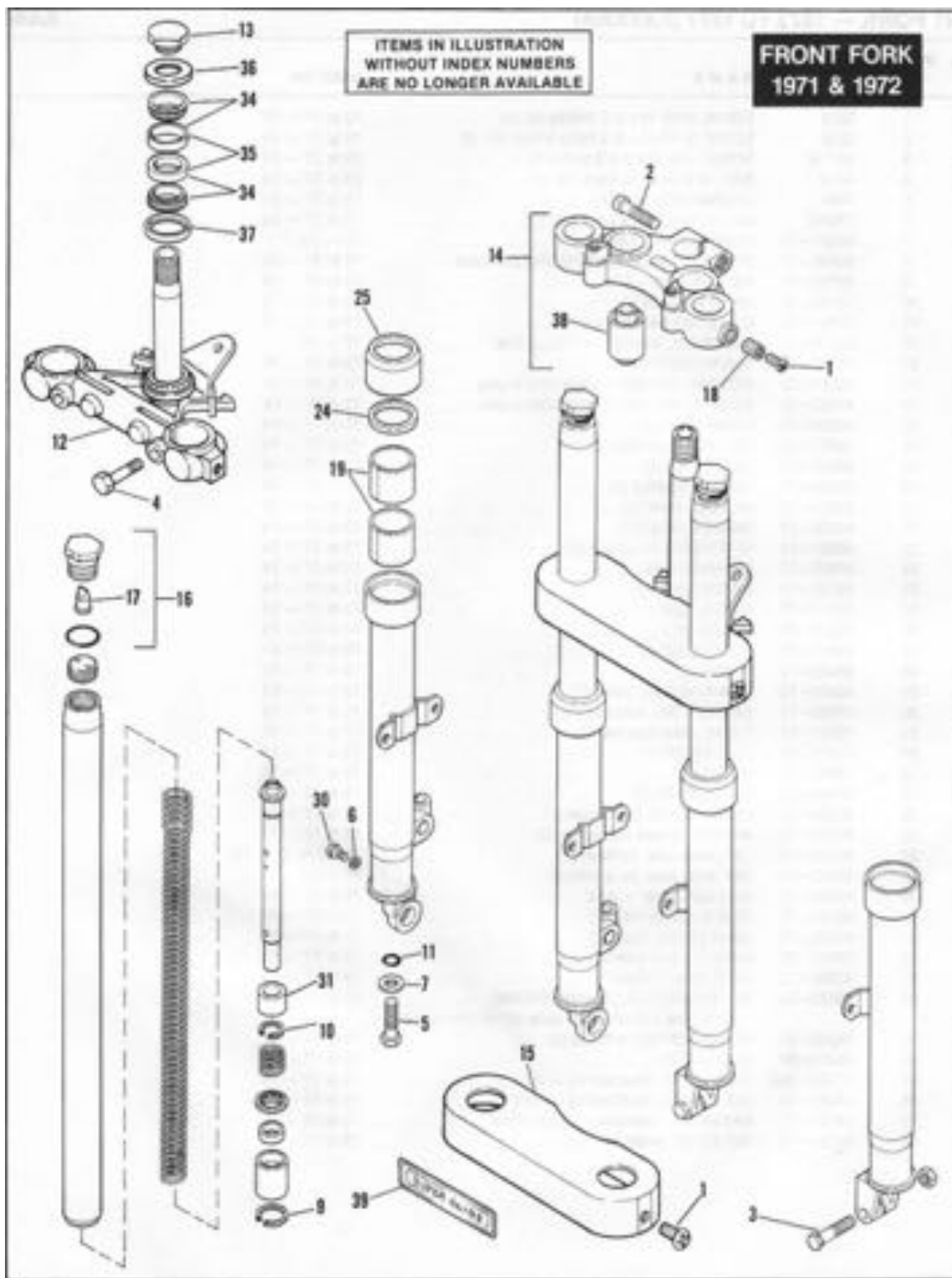


RETAIL PRICE	INDEX NO.	PART NO.	NAME	USED ON
	1	2823	SCREW, 5/16-18 x 3/8 Phillips hd. (4)	77 to * — FXS, FXS-80
	2	4371W	SCREW, 3/8-16 x 1-5/8 socket hd.	77 to * — FXS, FXS-80
	3	4411	BOLT, 3/8-24 x 1-3/4 hex. hd. (2)	77 to * — FXS, FXS-80
	4	6702	WASHER, 5/16 x 11/16 x 1/16 (4)	77 to * — FXS, FXS-80
	5	7041	LOCKWASHER, 5/16 (4)	77 to * — FXS, FXS-80
	6	7748W	NUT, 5/16-18 x 1/4 x 1/2 hex. (4)	77 to * — FXS, FXS-80
	7	45398-80	SLIDER, left — complete	80 to * — FXS, FXS-80
	8	45397-80	SLIDER, right — complete	80 to * — FXS, FXS-80
	9	45400-75	OIL SEAL, slider (2)	77 to * — FXS, FXS-80
	10	45401-75	RETAINING RING, oil seal (2)	77 to * — FXS, FXS-80
	11	45402-75	LOWER STOP (2)	77 to * — FXS, FXS-80
	12	45403-75	FIBER WASHER, drain screw (2)	77 to * — FXS, FXS-80
	13	45404-75	BOOT (2)	77 to * — FXS, FXS-80
	14	45405-75	SCREW, damper tube (2)	77 to * — FXS, FXS-80
	15	45406-75	WASHER, damper tube screw (2)	77 to * — FXS, FXS-80
	16	45409-75	DAMPER TUBE, complete (2)	77 to * — FXS, FXS-80
	17	45410-75	AXLE CAP, left slider	80 to * — FXS, FXS-80
	18	45412-75	RING, damper tube (4)	77 to * — FXS, FXS-80
	19	45608-77	STEM AND BRACKET, with bearing and shield	77 to * — FXS, FXS-80
	20	45620-77	SET OF FORK SIDES, complete	77 to * — FXS, FXS-80
	21	45642-77	AXLE CAP, left slider	77 to 79 — FXS, FXS-80
	22	45643-77	AXLE CAP, right slider	77 to 79 — FXS, FXS-80
	23	45644-77	SLIDER TUBE (2)	77 to * — FXS, FXS-80
	24	45657-77	SLIDER, left — complete	77 to 79 — FXS, FXS-80
	25	45658-77	SLIDER, right — complete	77 to 79 — FXS, FXS-80
	26	45718-71	NUT, fork stem	77 to * — FXS, FXS-80
	27	45736-78	BRACKET, upper	Late 78 to * — FXS, FXS-80
	28	45738-73	BRACKET, upper	77 to Early 78 — FXS
	29	45751-71	COVER, fork lower bracket	77 to * — FXS, FXS-80
	30	45782-72A	SCREW INSERT (2)	77 to * — FXS, FXS-80
	31	45788-77	NAMEPLATE, front fork "LOW RIDER"	77 to * — FXS, FXS-80
	32	45982-73	O-RING, slider tube cap (2)	77 to * — FXS, FXS-80
	33	45987-77	SPRING (2)	77 to * — FXS, FXS-80
	34	45993-73	CAP, slider tube (2)	77 to * — FXS, FXS-80
	35	45994-77	AXLE CAP, right slider	80 to * — FXS, FXS-80
	36	45996-73	DRAIN SCREW, slider (2)	77 to * — FXS, FXS-80
	37	45997-73	WASHER, slider tube cap (2)	77 to * — FXS, FXS-80
	38	46018-77	BUSHING, brake caliper — upper (2)	77 to * — FXS, FXS-80
	39	46019-77	BUSHING, brake caliper — lower (2)	77 to * — FXS, FXS-80
	40	48300-80	ROLLER BEARING, with cup (2)	77 to * — FXS, FXS-80
	41	48315-80	HEAD CUP (2)	77 to * — FXS, FXS-80
	42	48362-38A	DUST SHIELD, head bearing — upper	77 to * — FXS, FXS-80
	43	48365-48	DUST SHIELD, head bearing — lower	77 to * — FXS, FXS-80
	44	59254-72	REFLECTOR, amber (2)	77 to * — FXS, FXS-80

NOTE: Asterisk (*) indicates part is used for latest model year shown on cover.

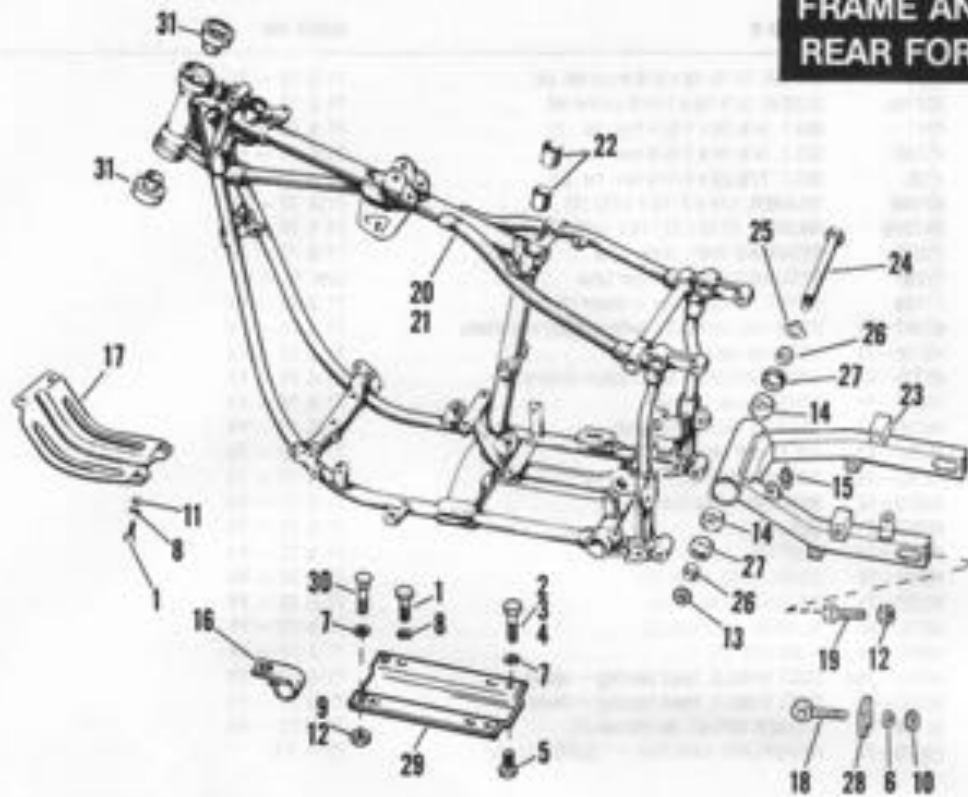


RETAIL PRICE	INDEX NO.	PART NO.	NAME	USED ON
	1	2823	SCREW, 5/16-18 x 3/8 Phillips hd. (4)	73 to 77 — FX
	2	2830	SCREW, 5/16-24 x 3/8 Pozidriv truss hd. (2)	74 to 77 — FX
	3	4371W	SCREW, 3/8-16 x 1-5/8 socket hd.	73 to 77 — FX
	4	4411	BOLT, 3/8-24 x 1-3/4 hex. hd. (2)	73 to 77 — FX
	5	7041	LOCKWASHER, 5/16 (2)	73 to 77 — FX
	6	7748W	NUT, 5/16-18 x 1/4 x 1/2 hex. (2)	73 to 77 — FX
	7	45527-73	FRONT FORK ASSEMBLY	73 — FX
	8	45608-77	STEM AND BRACKET, with bearing and shield	73 to 77 — FX
	9	45718-71	NUT, fork stem	73 to 77 — FX
	10	45738-73	UPPER BRACKET	73 to 77 — FX
	11	45751-71	COVER, fork lower bracket	73 to 77 — FX
	12	45774-77	NAMEPLATE, front fork — "Super Glide"	77 — FX
	13	45782-72A	SCREW INSERT (2)	73 to 77 — FX
	14	45821-72	BUSHING, left slider — upper (disc brake)	73 & 74 — FX
	15	45822-72	BUSHING, left slider — lower (disc brake)	73 & 74 — FX
	16	45916-73	UPPER STOP (2)	73 to 77 — FX
	17	45917-73	ROLL PIN, upper stop (2)	73 to 77 — FX
	18	45918-73	LOWER STOP (2)	73 to 77 — FX
	19	45926-73	VALVE ASSEMBLY (2)	73 to 77 — FX
	20	45927-73	OIL SEAL, slider (2)	73 to 77 — FX
	21	45928-73	WASHER, oil seal (2)	73 to 77 — FX
	22	45931-73	RETAINING RING, oil seal (2)	73 to 77 — FX
	23	45932-73	RETAINING RING (2)	73 to 77 — FX
	24	45933-73	PISTON, upper (2)	73 to 77 — FX
	25	45974-73	SLIDER, right	73 to 77 — FX
	26	45976-74	SLIDER, left	74 to 77 — FX
	27	45977-73	SLIDER TUBE (2)	73 to 77 — FX
	28	45978-73	PISTON (2)	73 to 77 — FX
	29	45979-73	RETAINING RING, piston (2)	73 to 77 — FX
	30	45980-73	DAMPER TUBE, complete (2)	73 to 77 — FX
	31	45982-73	O-RING, slider tube cap (2)	73 to 77 — FX
	32	45983-73	DUST COVER (2)	73 to 77 — FX
	33	45984-73	SPRING (2)	73 to 77 — FX
	34	45985-73	SPRING GUIDE (2)	73 to 77 — FX
	35	45986-73	FIBER WASHER, drain screw (2)	73 to 77 — FX
	36	45992-73	WASHER, damper tube screw (2)	73 to 77 — FX
	37	45993-73	CAP, slider tube, (w/hole) (2)	73, 75 to 77 — FX
	38	45993-74	CAP, slider tube, (w/o hole) (2)	74 — FX
	39	45994-73	AXLE CAP, slider — right	73 to 77 — FX
	40	45995-73	SCREW, damper tube (2)	73 to 77 — FX
	41	45996-73	DRAIN SCREW, slider (2)	73 to 77 — FX
	42	45997-73	WASHER, slider tube cap (2)	73 to 77 — FX
	43	45998-73	STUD, slider — right (2)	73 to 77 — FX
	44	46023-75	SET OF FORK LEGS, complete (SHOWA)	74 to 77 — FX
			NOTE: See SHOWA FORK parts list for internal parts	
	45	48300-60	ROLLER BEARING, with cup (2)	73 to 77 — FX
	46	48315-60	HEAD CUP (2)	73 to 77 — FX
	47	48362-38A	DUST SHIELD, head bearing — upper	73 to 77 — FX
	48	48365-48	DUST SHIELD, head bearing — lower	73 to 77 — FX
	49	59176-72	NAMEPLATE, front fork — "Super Glide"	73 to 76 — FX
	50	59254-72	REFLECTOR, amber (2)	73 to 77 — FX



RETAIL PRICE	INDEX NO.	PART NO.	N A M E	USED ON
	1	2823	SCREW, 5/16-18 x 3/8 truss hd. (4)	71 & 72 — FX
	2	4371W	SCREW, 3/8-16 x 1-5/8 socket hd.	71 & 72 — FX
	3	4411	BOLT, 3/8-24 x 1-3/4 hex. hd. (2)	71 & 72 — FX
	4	4374B	BOLT, 3/8-24 x 1-5/8 hex. hd. (2)	71 & 72 — FX
	5	4726	BOLT, 7/8-20 x 1-1/2 hex. hd. (2)	71 & 72 — FX
	6	6218W	WASHER, 1/4 x 7/16 x 1/32 (2)	71 & 72 — FX
	7	6473HB	WASHER, 7/16 x 13/16 x 1/16 (2)	71 & 72 — FX
	9	11048	RETAINING RING, slider tube	71 & 72 — FX
	10	11065	RETAINING RING, damper tube	Late 72 — FX
	11	11105	O-RING, damper tube — lower (2)	71 & 72 — FX
	12	45567-71	STEM AND BRACKET, with bearing and shield	71 & 72 — FX
	13	45718-71	NUT, fork stem	71 & 72 — FX
	14	45729-62B	UPPER BRACKET, with rubber mounts	71 & 72 — FX
	15	45751-71	COVER, lower bracket	71 & 72 — FX
	16	45756-59	CAP AND VALVE, complete	71 & 72 — FX
	17	45757-49	BREATHER VALVE (2)	71 & 72 — FX
	18	45782-72A	SCREW INSERT (2)	71 & 72 — FX
	19	45818-52	BUSHING, slider tube (2)	71 & 72 — FX
	24	45975-71	SEAL (2)	71 & 72 — FX
	25	46001-71	BOOT (2)	71 & 72 — FX
	30	46201-52	DRAIN PLUG, slider (2)	71 & 72 — FX
	31	46230-71	PISTON, damper valve	71 & 72 — FX
	34	48300-60	BEARING, with cup (2)	71 & 72 — FX
	35	48315-60	HEAD CUP (2)	71 & 72 — FX
	36	48362-38A	DUST SHIELD, head bearing — upper	71 & 72 — FX
	37	48365-48	DUST SHIELD, head bearing — lower	71 & 72 — FX
	38	56158-49	RUBBER MOUNT, handlebar (2)	71 & 72 — FX
	39	59178-72	NAMEPLATE, front fork — "SUPER GLIDE"	72 — FX

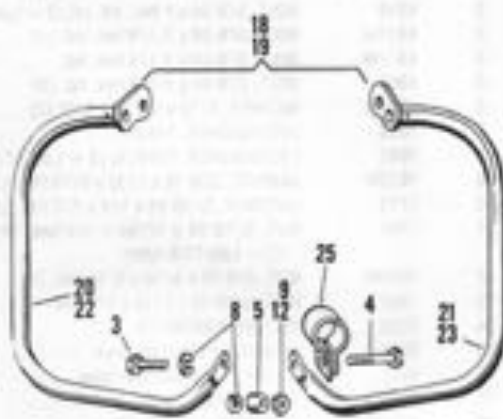
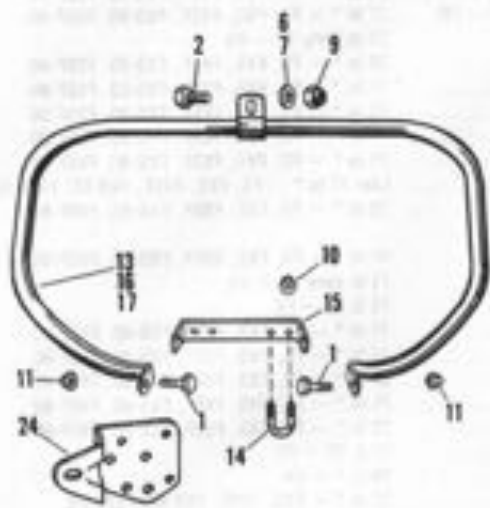
FRAME AND REAR FORK



RETAIL PRICE	INDEX NO.	PART NO.	NAME	USED ON
	1	3974HW	BOLT, 5/16-24 x 3/4 hex. hd. (4) (2 — Late 77 & later) ...	71 to * — FX, FXS, FXEF, FXS-80, FXEF-80
	2	4319	BOLT, 3/8-24 x 1 hex. hd. (4) (2 — Late 77) (1 — 78) ...	77 to * — FX, FXS, FXEF, FXS-80, FXEF-80
	3	4336W	BOLT, 3/8-24 x 1-1/8 hex. hd. (2)	71 to Early 77 — FX
	4	4337W	BOLT, 3/8-24 x 1-1/4 hex. hd.	78 to * — FX, FXS, FXEF, FXS-80, FXEF-80
	5	4362	BOLT, 3/8-24 x 1-3/8 hex. hd. (2)	71 to * — FX, FXS, FXEF, FXS-80, FXEF-80
	6	6324W	WASHER, 5/16 x 11/16 x 3/32 (2)	73 to * — FX, FXS, FXEF, FXS-80, FXEF-80
	7	7038	LOCKWASHER, 1/4 (4)	77 to * — FX, FXS, FXEF, FXS-80, FXEF-80
	8	7041	LOCKWASHER, 5/16 (4) (2 — Late 77 & later)	71 to * — FX, FXS, FXEF, FXS-80, FXEF-80
	9	7843W	JAMNUT, 3/8-16 x 7/32 x 9/16 hex. (2)	Late 77 to * — FX, FXS, FXEF, FXS-80, FXEF-80
	10	7725	LOCKNUT, 5/16-24 x 1/4 x 1/2 hex. (2)	73 to * — FX, FXS, FXEF, FXS-80, FXEF-80
	11	7753	NUT, 5/16-24 x 17/64 x 1/2 hex. (4) (2 — Late 77 & later)	71 to * — FX, FXS, FXEF, FXS-80, FXEF-80
	12	7800W	NUT, 3/8-24 x 5/16 x 9/16 hex. (2)	71 to Early 77 — FX
	13	7980	NUT, 5/16-18 x 7/16 x 7/8 hex.	71 & 72 — FX
	14	9033	ROLLER BEARING (2)	71 to * — FX, FXS, FXEF, FXS-80, FXEF-80
	15	9851	GREASE FITTING, rear fork	71 to * — FX, FXS, FXEF, FXS-80, FXEF-80
	16	9951	CLAMP, rear chain oiler hose	80 to * — FX, FXS, FXEF, FXS-80, FXEF-80
	17	24490-36	CRANKCASE GUARD	71 to * — FX, FXS, FXEF, FXS-80, FXEF-80
	18	41570-77	ADJUSTER, rear axle (2)	73 to * — FX, FXS, FXEF, FXS-80, FXEF-80
	19	41576-36	BOLT, axle adjuster (2)	71 & 72 — FX
	20	47000-78B	FRAME	78 to * — FX
	21	47013-78B	FRAME	77 to * — FXS, FXEF, FXS-80, FXEF-80
	22	47054-58	BUSHING, seat post (2)	71 to 78 — FX
	23	47500-73	REAR FORK	73 to Early 78 — FX
		47500-78	REAR FORK	Late 78 to * — FX, FXS, FXEF, FXS-80, FXEF-80
	24	47510-58	PIVOT BOLT, rear fork	71 to * — FX, FXS, FXEF, FXS-80, FXEF-80
	25	47513-58	LOCKWASHER, pivot bolt	71 to * — FX, FXS, FXEF, FXS-80, FXEF-80
	26	47517-58	SPACER, pivot bearing (2)	71 to * — FX, FXS, FXEF, FXS-80, FXEF-80
	27	47519-58	SEAL, pivot bearing (2)	71 & 72 — FX
		47519-72	SEAL, pivot bearing (2)	73 to * — FX, FXS, FXEF, FXS-80, FXEF-80
	28	47554-78	END COVER, rear fork — chrome (2)	73 to * — FX, FXS, FXEF, FXS-80, FXEF-80
	29	47698-85A	TRANSMISSION MOUNTING PLATE	71 to * — FX, FXS, FXEF, FXS-80, FXEF-80
	30	47730-77	CARRIAGE BOLT, transmission mounting plate, 3/8-16 x 1-3/8 (2)	Late 77 to * — FX, FXS, FXEF, FXS-80, FXEF-80
	31	48311-80	HEADCUP, frame (2)	71 to * — FX, FXS, FXEF, FXS-80, FXEF-80

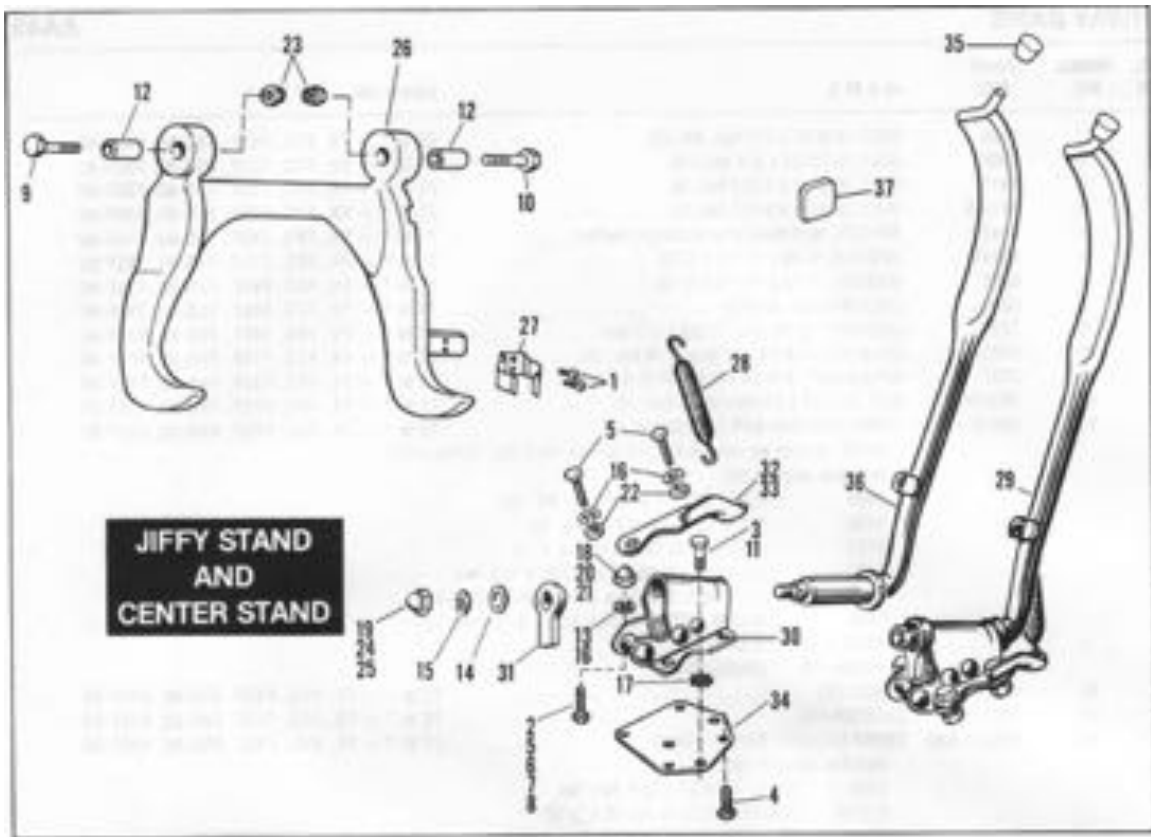
NOTE: Asterisk (*) indicates part is used for latest model year shown on cover.

HIGHWAY BARS



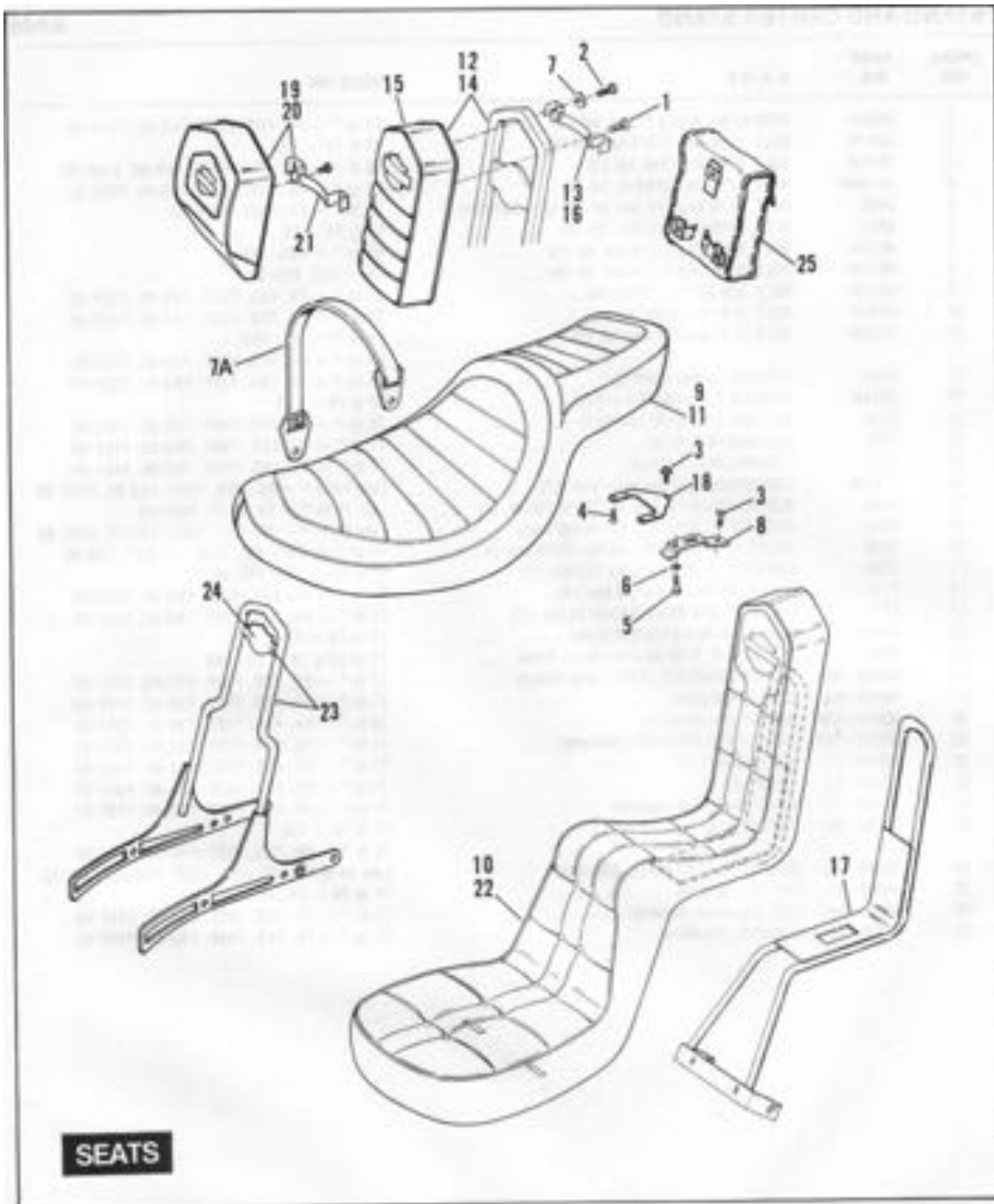
RETAIL PRICE	INDEX NO.	PART NO.	N A M E	USED ON
	1	2889	BOLT, 3/8-24 x 3/4 hex. hd. (2)	72 to * — FX, FXS, FXEF, FXS-80, FXEF-80
	2	3996	BOLT, 5/16-24 x 3/4 hex. hd.	71 to * — FX, FXS, FXEF, FXS-80, FXEF-80
	3	4411	BOLT, 3/8-24 x 1-3/4 hex. hd.	71 to * — FX, FXS, FXEF, FXS-80, FXEF-80
	4	4434W	BOLT, 3/8-24 x 3-1/4 hex. hd.	71 to * — FX, FXS, FXEF, FXS-80, FXEF-80
	5	5942B	SPACER, right lower mount (single muffler)	71 to * — FX, FXS, FXEF, FXS-80, FXEF-80
	6	6324W	WASHER, 5/16 x 11/16 x 3/32	71 to * — FX, FXS, FXEF, FXS-80, FXEF-80
	7	6702	WASHER, 5/16 x 11/16 x 1/16	71 to * — FX, FXS, FXEF, FXS-80, FXEF-80
	8	7038	LOCKWASHER, 3/8 (2)	71 to * — FX, FXS, FXEF, FXS-80, FXEF-80
	9	7725	LOCKNUT, 5/16-24 x 11/32 x 1/2 hex.	71 to * — FX, FXS, FXEF, FXS-80, FXEF-80
	10	7775	LOCKNUT, 3/8-24 x 7/16 x 9/16 hex. (4)	72 to * — FX, FXS, FXEF, FXS-80, FXEF-80
	11	7787	ACORN NUT, 3/8-24 x 5/8 x 9/16 hex. (2)	72 to * — FX, FXS, FXEF, FXS-80, FXEF-80
	12	7800W	NUT, 3/8-24 x 21/64 x 9/16 hex. (2)	71 to * — FX, FXS, FXEF, FXS-80, FXEF-80
	13	49016—72B	FRONT HIGHWAY BAR KIT, chrome	72 to * — FX, FXS, FXEF, FXS-80, FXEF-80
			NOTE: Cannot be used with Oil Filter Kit (Part No. 63794—77)	
			Includes besides bar:	
		2889	BOLT, 3/8-24 x 3/4 hex. hd. (2)	
		3996	BOLT, 5/16-24 x 7/8 hex. hd.	
		6702	WASHER, 5/16 x 11/16 x 1/16	
		7725	LOCKNUT, 5/16-24 x 11/32 x 1/2 hex.	
		7775	LOCKNUT, 3/8-24 x 7/16 x 9/16 hex. (4)	
		7787	ACORN NUT, 3/8-24 x 5/8 x 9/16 hex. (2)	
		49033—77	U-BOLT (2)	
		49034—77	CROSSBRACE	
	14	49033—77	U-BOLT (2)	72 to * — FX, FXS, FXEF, FXS-80, FXEF-80
	15	49034—77	CROSSBRACE	72 to * — FX, FXS, FXEF, FXS-80, FXEF-80
	16	49037—58B	FRONT HIGHWAY BAR KIT, black	71 to * — FX, FXS, FXEF, FXS-80, FXEF-80
			Includes besides bar:	
		3996	BOLT, 5/16-24 x 3/4 hex. hd.	
		6324W	WASHER, 5/16 x 11/16 x 3/32	
		7725	LOCKNUT, 5/16-24 x 11/32 x 1/2 hex.	
	17	49038—58B	FRONT HIGHWAY BAR KIT, chrome	71 to * — FX, FXS, FXEF, FXS-80, FXEF-80
			Includes besides bar:	
		3996	BOLT, 5/16-24 x 3/4 hex. hd.	
		6702	WASHER, 5/16 x 11/16 x 1/16	
		7725	LOCKNUT, 5/16-24 x 11/32 x 1/2 hex.	
	18	49135—67B	REAR HIGHWAY BAR KIT, black	71 to * — FX, FXS, FXEF, FXS-80, FXEF-80
	19	49137—67B	REAR HIGHWAY BAR KIT, chrome	71 to * — FX, FXS, FXEF, FXS-80, FXEF-80
	20	49168—67A	REAR HIGHWAY BAR, left (chrome)	71 to * — FX, FXS, FXEF, FXS-80, FXEF-80
	21	49169—67B	REAR HIGHWAY BAR, right (chrome)	71 to * — FX, FXS, FXEF, FXS-80, FXEF-80
	22	49170—67A	REAR HIGHWAY BAR, left (black)	71 to * — FX, FXS, FXEF, FXS-80, FXEF-80
	23	49171—67B	REAR HIGHWAY BAR, right (black)	71 to * — FX, FXS, FXEF, FXS-80, FXEF-80
	24	49032—74	SUPPORT, safety guard — left	74 to 77 — FX
	25	65276—62	MUFFLER CLAMP (2 in. dia.)	71 to * — FX, FXS, FXEF, FXS-80, FXEF-80

NOTE: Asterisk (*) indicates part is used for latest model year shown on cover.



RETAIL PRICE	INDEX NO.	PART NO.	N A M E	USED ON
	1	2634W	SCREW, No. 8-32 x 1/2 in. hd. (2)	71 to * - FX, FXS, FXEF, FXS-80, FXEF-80
	2	2871W	BOLT, 5/16-18 x 1-1/4 hex. hd. (4)	77 & 78 - FXS
	3	2879W	BOLT, 3/8-16 x 1 hex. hd. (3)	78 & 79 - FX, FXS, FXEF, FXS-80, FXEF-80
	4	2974HW	BOLT, 5/16-24 x 3/4 hex. hd. (2)	74 to * - FX, FXS, FXEF, FXS-80, FXEF-80
	5	3996	BOLT, 5/16-24 x 7/8 hex. hd. (4) (2 - Early 74)	71 to * - FX, FXEF, FXEF-80
	6	4391	BOLT, 5/16-24 x 5/8 hex. hd. (2)	Early 74 - FX
	7	4014W	BOLT, 5/16-24 x 1-1/4 hex. hd. (4)	80 to * - FXS, FXS-80
	8	4401W	BOLT, 5/16-24 x 1-1/4 hex. hd. (4)	79 - FXS, FXS-80
	9	4434W	BOLT, 3/8-24 x 3-1/4 hex. hd.	71 to * - FX, FXS, FXEF, FXS-80, FXEF-80
	10	4440W	BOLT, 3/8-24 x 4 hex. hd.	71 to * - FX, FXS, FXEF, FXS-80, FXEF-80
	11	4713W	BOLT, 3/8-16 x 3/4 hex. hd. (3)	74 to 77 - FX, FXS; 80 to * - FX, FXS, FXEF, FXS-80, FXEF-80
	12	5905	BUSHING, center stand (2)	71 to * - FX, FXEF, FXS-80, FXEF-80
	13	6314W	WASHER, 5/16 x 9/16 x 1/8 (4)	77 & 78 - FXS
	14	6334	WASHER, 7/16 x 15/16 x 1/16	71 to * - FX, FXS, FXEF, FXS-80, FXEF-80
	15	7039	LOCKWASHER, 7/16	71 to * - FX, FXS, FXEF, FXS-80, FXEF-80
	16	7041	LOCKWASHER, 5/16 (4)	71 to * - FX, FXS, FXEF, FXS-80, FXEF-80
	17	7145W	LOCKWASHER, 3/8 external tooth (3)	Late 74 to * - FX, FXS, FXEF, FXS-80, FXEF-80
	18	7508	ACORN NUT, 5/16-24 x 19/32 x 9/16 hex. (4)	Late 78 to * - FX, FXEF, FXEF-80
	19	7513	ACORN NUT, 7/16-20 x 11/16 x 5/8 hex.	Late 78 to * - FX, FXS, FXEF, FXS-80, FXEF-80
	20	7736	ACORN NUT, 5/16-24 x 19/32 x 9/16 hex. (4)	71 to Early 78 - FX, 79 to * - FXS, FXS-80
	21	7740	LOCKNUT, 5/16-18 x 1/4 x 1/2 hex. (4)	77 & 78 - FXS, FXS-80
	22	7753	NUT, 5/16-24 x 1/4 x 1/2 hex. (4)	71 to * - FX, FXS, FXEF, FXS-80, FXEF-80
	23	7775	LOCKNUT, 3/8-24 x 7/16 x 5/16 hex. (2)	71 to * - FX, FXS, FXEF, FXS-80, FXEF-80
	24	7837W	NUT, 7/16-20 x 3/8 x 11/16 hex.	71 to 73 - FX
	25	7873	ACORN NUT, 7/16-20 x 11/16 x 5/8 hex.	71 to Early 78 - FX, FXS
	26	49400-59A	CENTER STAND ASSEMBLY, with fittings	71 to * - FX, FXS, FXEF, FXS-80, FXEF-80
	27	49404-61	CLIP, center stand	71 to * - FX, FXS, FXEF, FXS-80, FXEF-80
	28	50011-30A	SPRING, jiffy stand leg	74 to * - FX, FXS, FXEF, FXS-80, FXEF-80
	29	50013-74A	JIFFY STAND ASSEMBLY (chrome)	71 to * - FX, FXS, FXEF, FXS-80, FXEF-80
	30	50014-74	LEG BRACKET	71 to * - FX, FXS, FXEF, FXS-80, FXEF-80
	31	50015-74	LEG STOP	71 to * - FX, FXS, FXEF, FXS-80, FXEF-80
	32	50029-74	BRACKET, spring (chrome)	74 to * - FX, FXS, FXEF, FXS-80, FXEF-80
	33	50036-36	BRACKET, spring	71 to 73 - FX; 78 to * - FX, FXS, FXEF, FXS-80, FXEF-80
	34	50036-74	REINFORCEMENT PLATE, jiffy stand	Late 74 to * - FX, FXS, FXEF, FXS-80, FXEF-80
	35	50052-70	TIP, jiffy stand leg	71 to 78 - FX, FXS
	36	50061-36E	LED, jiffy stand (chrome)	71 to * - FX, FXS, FXEF, FXS-80, FXEF-80
	37	50100-70	BUMPER, jiffy stand	71 to * - FX, FXS, FXEF, FXS-80, FXEF-80

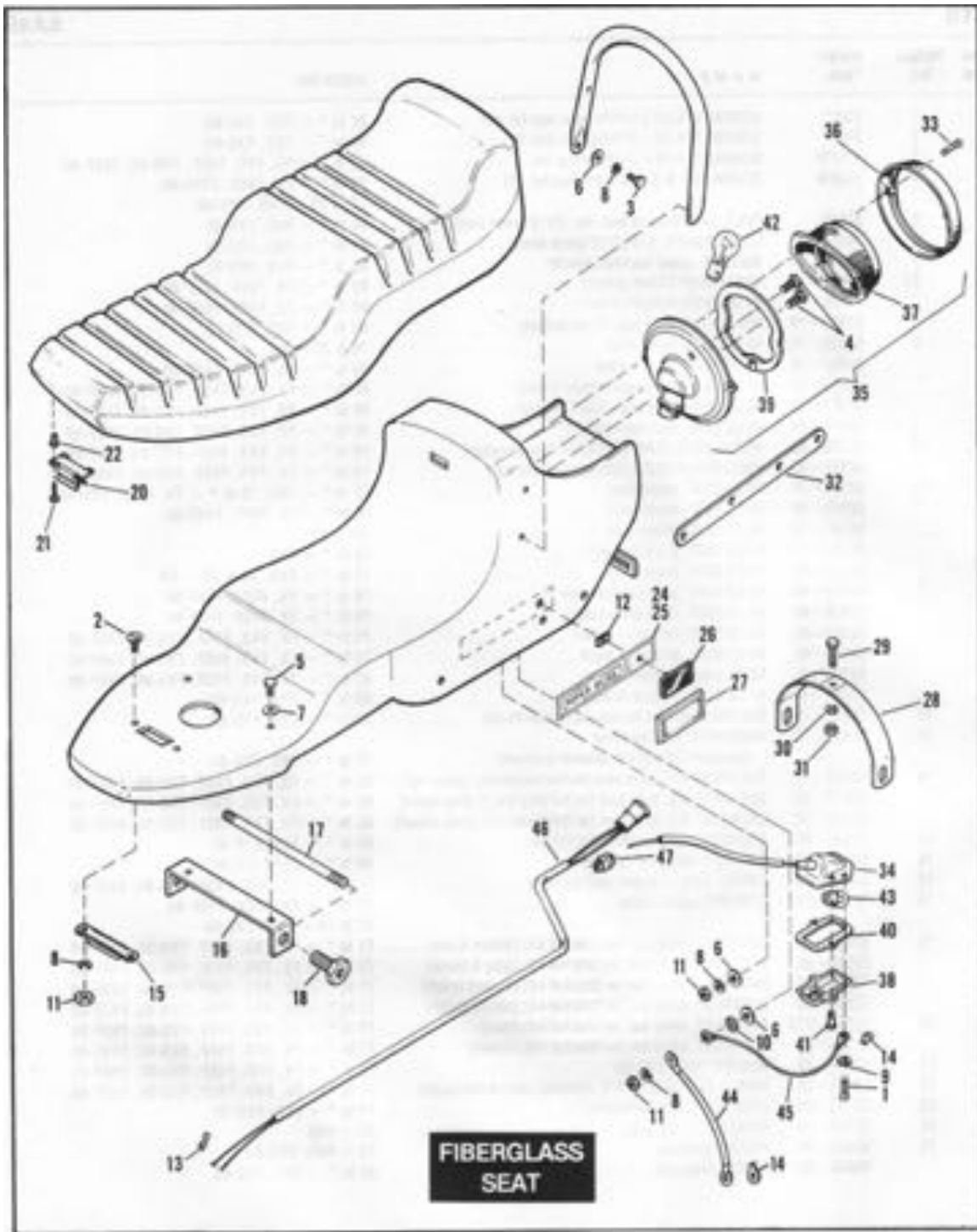
NOTE: Asterisk (*) indicates part is used for latest model year shown on cover.



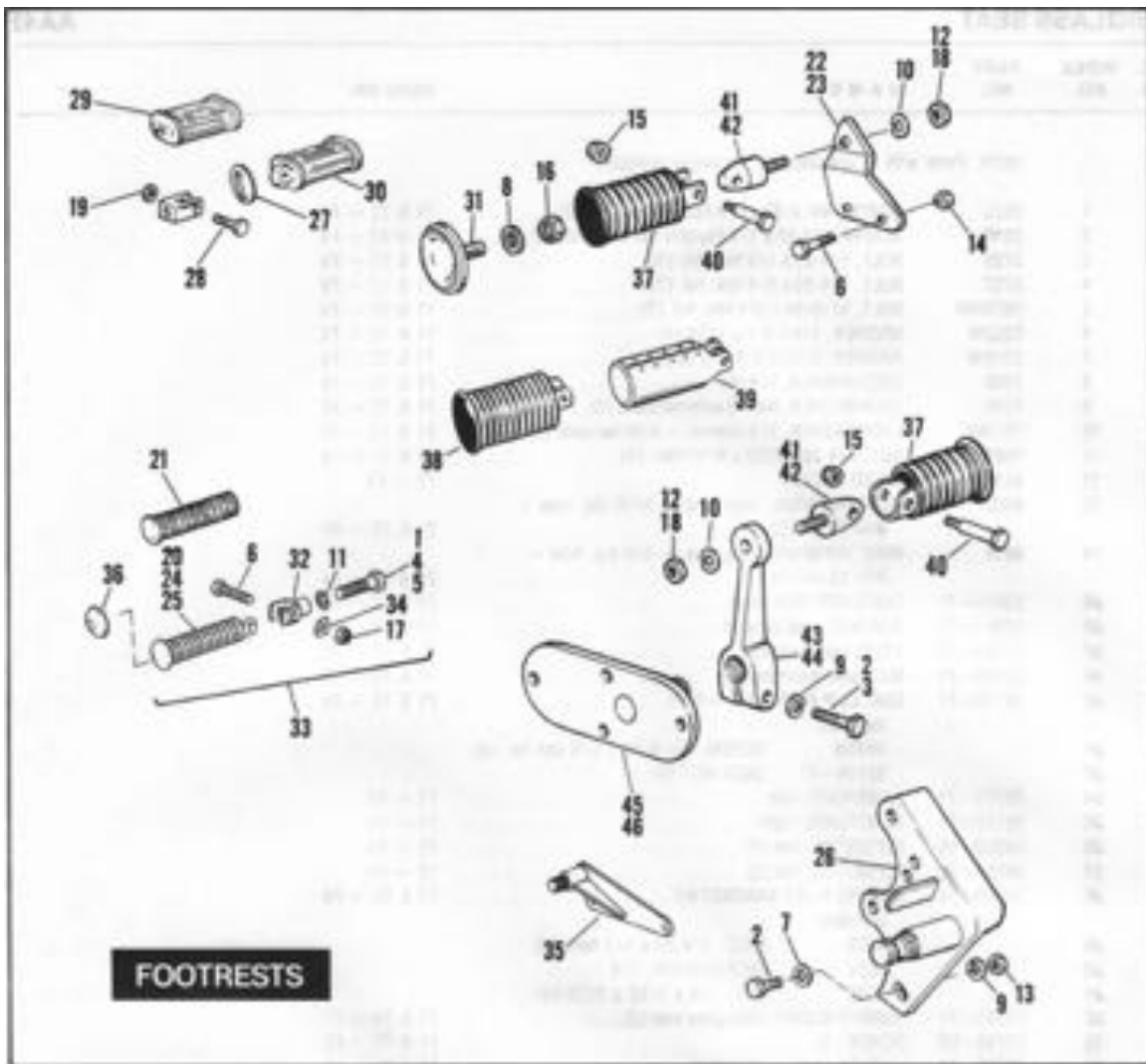
SEATS

RETAIL PRICE	INDEX NO.	PART NO.	NAME	USED ON
	1	1000	SCREW, 1/4-20 x 1/2 Pozidriv pan hd. (2)	80 to * - FXS, FXS-80
	2	2607	SCREW, 1/4-20 x 3/4 Pozidriv pan hd.	80 to * - FXS, FXS-80
	3	2757W	SCREW, 1/4-28 x 7/16 Phillips hd.	72 to * - FX, FXS, FXEF, FXS-80, FXEF-80
	4	2802W	SCREW, No. 6-32 x 3/4 Phillips hd. (4)	72 to * - FX, FXEF, FXEF-80; 77 to 79 - FXS, FXS-80
	5	37678	BOLT, 1/4-20 x 5/8 hex. hd. (2) (2-piece seat)	80 to * - FXS, FXS-80
	6	7036	LOCKWASHER, 1/4 (2) (2-piece seat)	80 to * - FXS, FXS-80
	7	33258-71	WASHER, upper backrest mount	80 to * - FXS, FXS-80
	7A	51195-80	PASSENGER STRAP (black)	80 to * - FX, FXEF, FXEF-80
		51196-80	PASSENGER STRAP (brown)	80 to * - FX, FXEF, FXEF-80
	8	51651-79	BRACKET, seat - rear (2-piece seat)	80 to * - FXS, FXS-80
	9	52025-75A	HI-LO SEAT, black vinyl	76 & 77 - FX
		52064-78	HI-LO SEAT, black leather	78 to * - FX, FXEF, FXEF-80
		52173-80	HI-LO SEAT, high back (brown & tan)	80 to * - FX, FXS, FXEF, FXS-80, FXEF-80
		52174-80	HI-LO SEAT, high back (black & gray)	80 to * - FX, FXS, FXEF, FXS-80, FXEF-80
		52175-80	HI-LO SEAT, high back (black)	80 to * - FX, FXS, FXEF, FXS-80, FXEF-80
	10	52176-80	KING/QUEEN SEAT, (black) (w/low sissybar)	79 to * - FX, FXS, FXEF, FXS-80, FXEF-80
		52177-80	KING/QUEEN SEAT, (black) (w/sissy bar)	79 to * - FX, FXS, FXEF, FXS-80, FXEF-80
	11	52178-77	HI-LO SEAT, black vinyl	77 to * - FXS; 78 to * - FX, FXEF, FXEF-80
		52180-80	HI-LO SEAT, brown vinyl	80 to * - FX, FXEF, FXEF-80
		52181-78	HI-LO SEAT, brown vinyl	78 - FX
		52182-78	HI-LO SEAT, black leather	78 to * - FXS
		52183-79	HI-LO SEAT, brown vinyl	77 to * - FXS; 78 & 79 - FX
		52428-80	HI-LO SEAT, gray & black vinyl	79 to * - FX, FXEF, FXEF-80
		52429-80	HI-LO SEAT, tan & brown vinyl	79 to * - FX, FXEF, FXEF-80
		52433-80	HI-LO SEAT, (cloth) - brown	79 to * - FX, FXS, FXEF, FXS-80, FXEF-80
		52434-80	HI-LO SEAT, (cloth) - black	79 to * - FX, FXS, FXEF, FXS-80, FXEF-80
		52456-80	SEAT, double bucket (black)	80 to * - FX, FXS, FXEF, FXS-80, FXEF-80
		52459-80	HI-LO SEAT, 2 piece (black)	80 to * - FXS, FXS-80
	12	52412-79	BACKREST KIT, hi-lo seat (w/hardware kit)	79 to * - FXS, FXS-80
	13	52413-79	HARDWARE KIT, backrest (includes bracket kit, bracket & screw)	79 to * - FXS, FXS-80
	14	52415-80	BACKREST KIT, hi-lo seat (w/hardware kit) (black nylon)	80 to * - FX, FXS, FXEF, FXS-80, FXEF-80
		52416-80	BACKREST KIT, hi-lo seat (w/hardware kit) (gray nylon)	80 to * - FX, FXS, FXEF, FXS-80, FXEF-80
		52417-80	BACKREST KIT, hi-lo seat (w/hardware kit) (gray velour)	80 to * - FX, FXS, FXEF, FXS-80, FXEF-80
	15	52491-80	BACKREST, only - sissy bar (black)	80 to * - FXS, FXS-80
	16	52492-80	BRACKET, sissy bar backrest	80 to * - FXS, FXS-80
	17	52512-78	FRAME, king - queen seat backrest	71 to * - FX, FXS, FXEF, FXS-80, FXEF-80
	18	52538-72	BRACKET, seat - rear	72 to * - FX, FXEF, FXEF-80; 77 to 79 - FXS, FXS-80
	19	52587-80	BACKREST, sissy bar (w/bracket kit) (brown & tan)	71 to * - FX, FXS, FXEF, FXS-80, FXEF-80
		52588-80	BACKREST, sissy bar (w/bracket kit) (gray & black)	71 to * - FX, FXS, FXEF, FXS-80, FXEF-80
		52589-80	BACKREST, sissy bar (w/bracket kit) (brown) (cloth)	71 to * - FX, FXS, FXEF, FXS-80, FXEF-80
		52594-80	BACKREST, sissy bar (w/bracket kit) (black) (cloth)	71 to * - FX, FXS, FXEF, FXS-80, FXEF-80
	20	52572-77A	BACKREST, sissy bar (w/bracket kit) (black)	71 to * - FX, FXS, FXEF, FXS-80, FXEF-80
		52585-77	BACKREST, sissy bar (w/bracket kit) (brown)	71 to * - FX, FXS, FXEF, FXS-80, FXEF-80
	21	52597-78	BRACKET KIT, sissy bar	71 to * - FX, FXS, FXEF, FXS-80, FXEF-80
	22	52589-78	KING - QUEEN SEAT KIT, (includes seat & hardware)	71 to * - FX, FXS, FXEF, FXS-80, FXEF-80
	23	52743-79	SISSY BAR, with nameplate	79 to * - FXS, FXS-80
	24	52756-79	NAMEPLATE, sissy bar	79 - FXS
	25	90840-79	POUCH, sissy bar	79 - FXS, FXS-80
		90840-80	POUCH, sissy bar	80 to * - FXS, FXS-80

NOTE: Asterisk (*) indicates part is used for latest model year shown on cover.

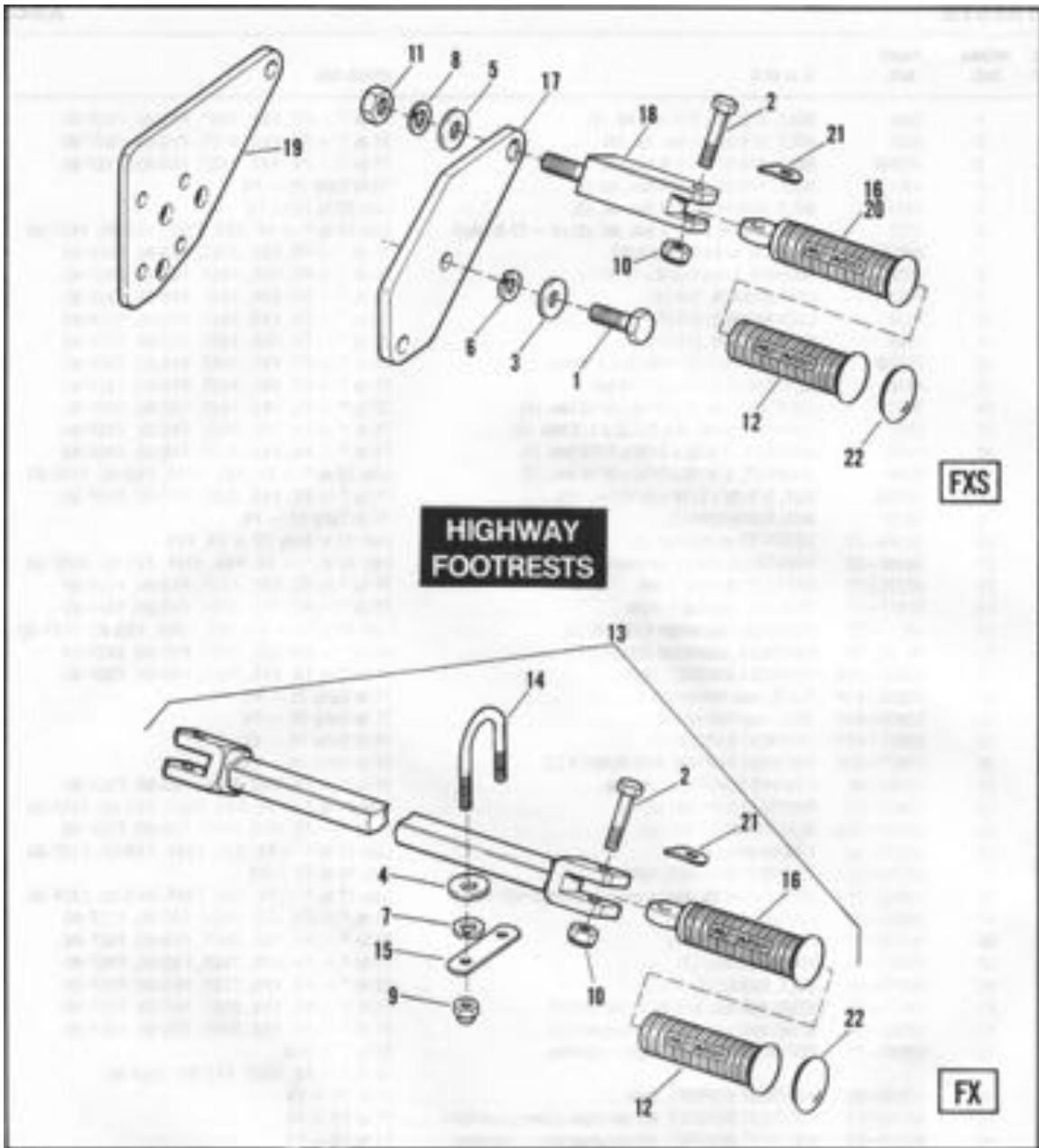


RETAIL PRICE	INDEX NO.	PART NO.	NAME	USED ON
NOTE: Parts with ✓ are obsolete, no longer available				
	1	2625	SCREW, No. 8-32 x 5/8 Pozidriv pan hd. (2)	71 & 72 - FX
	2	2816	SCREW, 1/4-20 x 1/2 Pozidriv flat disk, hd. (2)	71 & 72 - FX
	3	3728	BOLT, 1/4-20 x 1/2 hex. hd. (4)	71 & 72 - FX
	4	3787	BOLT, 1/4-20 x 3/4 hex. hd. (2)	71 & 72 - FX
	5	3974HW	BOLT, 5/16-24 x 3/4 hex. hd. (2)	71 & 72 - FX
	6	6253W	WASHER, 1/4 x 3/4 x 1/16 (4)	71 & 72 - FX
	7	6316W	WASHER, 5/16 x 5/8 x 1/16 (2)	71 & 72 - FX
	8	7036	LOCKWASHER, 1/4 (6)	71 & 72 - FX
	9	7220	LOCKWASHER, No. 10 external tooth (2)	71 & 72 - FX
	10	7229W	LOCKWASHER, 1/4 internal - external tooth (2)	71 & 72 - FX
	11	7688	NUT, 1/4-20 x 7/32 x 7/16 hex. (4)	71 & 72 - FX
	12	8133W	SPEED NUT (2)	71 - FX
	13	9902	WIRE TERMINAL, ring type - 3/16 dia. hole - #14-16 wire (2)	71 & 72 - FX
	14	9918	WIRE TERMINAL, ring type - 1/4 dia. hole - #14-16 wire (4)	71 & 72 - FX
✓	26	52039-71	FASTENER TUBE, seat	71 & 72 - FX
✓	26	52061-71	BRACKET, seat support	71 & 72 - FX
✓	27	52074-71	STUD, seat support	71 & 72 - FX
✓	26	52076-71	NUT, seat mounting (2)	71 & 72 - FX
✓	26	52110-71	SEAT CLIP REPAIR KIT - front	71 & 72 - FX
		Includes:		
✓	21	2805W	SCREW, No. 6-32 x 5/8 pan hd. (4)	
✓	26	52119-71	JACK-NUT (4)	
✓	24	59171-71	NAMEPLATE, left	71 - FX
✓	26	59172-71	NAMEPLATE, right	71 - FX
✓	26	59253-69	REFLECTOR, red (2)	71 - FX
✓	27	59255-72	REFLECTOR, red (2)	72 - FX
✓	26	59989-71	LICENSE PLATE BRACKET KIT	71 & 72 - FX
		Includes:		
✓	26	3728	BOLT, 1/4-20 x 1/2 hex. hd.	
✓	26	7036	LOCKWASHER, 1/4	
✓	21	7688	NUT, 1/4 x 7/32 x 7/16 hex.	
✓	26	65331-71	RUBBER MOUNT, fiberglass seat (2)	71 & 72 - FX
✓	33	67715-59	SCREW (2)	71 & 72 - FX
✓	24	68005-70	LICENSE LAMP ASSEMBLY	71 & 72 - FX
✓	26	68009-70	TAIL LAMP ASSEMBLY	71 & 72 - FX
✓	26	68068-70	MOULDING RING	71 & 72 - FX
✓	27	68089-70	LENS, rear lamp	71 & 72 - FX
✓	26	68106-70	LENS, license lamp	71 & 72 - FX
✓	26	68125-70	GASKET, rear lamp	71 & 72 - FX
✓	40	68128-70	GASKET, license lamp	71 & 72 - FX
✓	41	68131-70	SCREW, license lamp (2)	71 & 72 - FX
✓	42	68185-64	BULB, tail lamp	71 & 72 - FX
✓	43	68186-64	BULB, license lamp	71 & 72 - FX
✓	44	70009-71	TAIL & LICENSE LAMP GROUND CABLE	71 & 72 - FX
✓	45	70012-70	LICENSE LAMP GROUND CABLE	71 & 72 - FX
✓	46	70017-70A	CABLE ASSEMBLY, tail lamp	71 & 72 - FX
✓	47	70576-68	WIRE CONNECTOR	71 & 72 - FX



RETAIL PRICE	INDEX NO.	PART NO.	NAME	USED ON
	1	2348	BOLT, 1/2-20 x 7/8 hex. hd. (2)	77 to * - FX, FXS, FXEF, FXS-80, FXEF-80
	2	3825	BOLT, 1/4-28 x 1 hex. hd. (2)	71 to * - FX, FXS, FXEF, FXS-80, FXEF-80
	3	3839W	BOLT, 1/4-28 x 1-1/8 hex. hd.	71 to * - FX, FXS, FXEF, FXS-80, FXEF-80
	4	4081	BOLT, 1/2-20 x 1-3/4 hex. hd. (2)	73 to Early 75 - FX
	5	4411	BOLT, 3/8-24 x 1-3/4 hex. hd. (3)	Late 75 to 77 - FX
	6	4721	BOLT, 3/8-16 x 1-1/2 hex. hd. (2) (4 - 77 & later)	Late 72 to * - FX, FXS, FXEF, FXS-80, FXEF-80
	7	6220W	WASHER, 1/4 x 7/16 x 1/32	71 to * - FX, FXS, FXEF, FXS-80, FXEF-80
	8	6235	WASHER, 1/4 x 1-3/8 x 1/16 (2)	71 to * - FX, FXS, FXEF, FXS-80, FXEF-80
	9	7036	LOCKWASHER, 1/4 (2)	71 to * - FX, FXS, FXEF, FXS-80, FXEF-80
	10	7038	LOCKWASHER, 3/8 (2)	73 to * - FX, FXS, FXEF, FXS-80, FXEF-80
	11	7068	LOCKWASHER, 1/2 (2)	73 to * - FX, FXS, FXEF, FXS-80, FXEF-80
	12	7572W	LOCKNUT, 1/2-20 x 19/32 x 3/4 hex.	71 to * - FX, FXS, FXEF, FXS-80, FXEF-80
	13	7676	NUT, 1/4-28 x 7/32 x 7/16 hex.	71 to * - FX, FXS, FXEF, FXS-80, FXEF-80
	14	7633	LOCKNUT, 3/8-16 x 5/16 x 9/16 hex. (4)	77 to * - FX, FXS, FXEF, FXS-80, FXEF-80
	15	7725	LOCKNUT, 5/16-24 x 11/32 x 1/2 hex. (2)	71 to * - FX, FXS, FXEF, FXS-80, FXEF-80
	16	7742	LOCKNUT, 1/4-20 x 7/32 x 7/16 hex. (2)	71 to * - FX, FXS, FXEF, FXS-80, FXEF-80
	17	7778	LOCKNUT, 3/8-16 x 7/16 x 9/16 hex. (2)	Late 72 to * - FX, FXS, FXEF, FXS-80, FXEF-80
	18	7800W	NUT, 3/8-24 x 5/16 x 9/16 hex. (2)	71 to * - FX, FXS, FXEF, FXS-80, FXEF-80
	19	7805P	NUT, footrest bolt (2)	71 to Early 72 - FX
	20	33048-72	FOOTREST, passenger (2)	Late 72 to Early 77 - FX, FXS
	21	33189-63	RUBBER, passenger footrest (2)	Late 77 to * - FX, FXS, FXEF, FXS-80, FXEF-80
	22	47116-77	BRACKET, footrest - left	77 to * - FX, FXS, FXEF, FXS-80, FXEF-80
	23	47117-77	BRACKET, footrest - right	77 to * - FX, FXS, FXEF, FXS-80, FXEF-80
	24	49117-77	FOOTREST, passenger (chrome) (2)	Late 77 to 79 - FX, FXS, FXEF, FXS-80, FXEF-80
	25	49140-80	FOOTREST, passenger (chrome) (2)	80 to * - FX, FXS, FXEF, FXS-80, FXEF-80
	26	50800-71B	FOOTREST BRACKET, right	71 to * - FX, FXS, FXEF, FXS-80, FXEF-80
	27	50805-61P	PLATE, rear footrest (2)	71 to Early 72 - FX
	28	50806-61P	BOLT, rear footrest (2)	71 to Early 72 - FX
	29	50807-61P	FOOTREST RUBBER (2)	71 to Early 72 - FX
	30	50809-62P	FOOTREST SUPPORT AND RUBBER (2)	71 to Early 72 - FX
	31	50880-69	FOOTREST COVER KIT, chrome	71 to * - FX, FXS, FXEF, FXS-80, FXEF-80
	32	50900-72	FOOTREST SUPPORT (2)	Late 72 to * - FX, FXS, FXEF, FXS-80, FXEF-80
	33	50907-69A	REAR FOOTREST KIT (2)	71 to * - FX, FXS, FXEF, FXS-80, FXEF-80
	34	50912-72	SPRING WASHER (2)	Late 72 to * - FX, FXS, FXEF, FXS-80, FXEF-80
	35	50930-75	FOOTREST BRACKET, right	Late 75 to 77 - FX
	36	50936-77	SET OF COVERS, passenger footrest end (chrome)	Late 77 to * - FX, FXS, FXEF, FXS-80, FXEF-80
	37	50939-52	FOOTREST (2)	71 to * - FX, FXS, FXEF, FXS-80, FXEF-80
	38	50940-52	RUBBER, footrest (2)	71 to * - FX, FXS, FXEF, FXS-80, FXEF-80
	39	50946-52	FOOTREST, only (2)	71 to * - FX, FXS, FXEF, FXS-80, FXEF-80
	40	50970-52	BOLT, footrest (2)	71 to * - FX, FXS, FXEF, FXS-80, FXEF-80
	41	50973-65	STUD, footrest, 3/8-24 thread end (2)	71 to * - FX, FXS, FXEF, FXS-80, FXEF-80
	42	52683-74	STUD, footrest, 1/2-20 thread end (2)	71 to * - FX, FXS, FXEF, FXS-80, FXEF-80
	43	52695-77	FOOTREST SUPPORT, right - chrome	77 to * - FXS; 78 to * - FX, FXEF, FXS-80, FXEF-80
	44	52698-65	FOOTREST SUPPORT, right	71 to 77 - FX
	45	60512-71	FOOTREST BRACKET, left (on chain cover) (cadmium)	71 to 73 - FX
	46	60513-71	FOOTREST BRACKET, left (on chain cover) (chrome)	71 to 73 - FX

NOTE: Asterisk (*) indicates part is used for latest model year shown on cover.



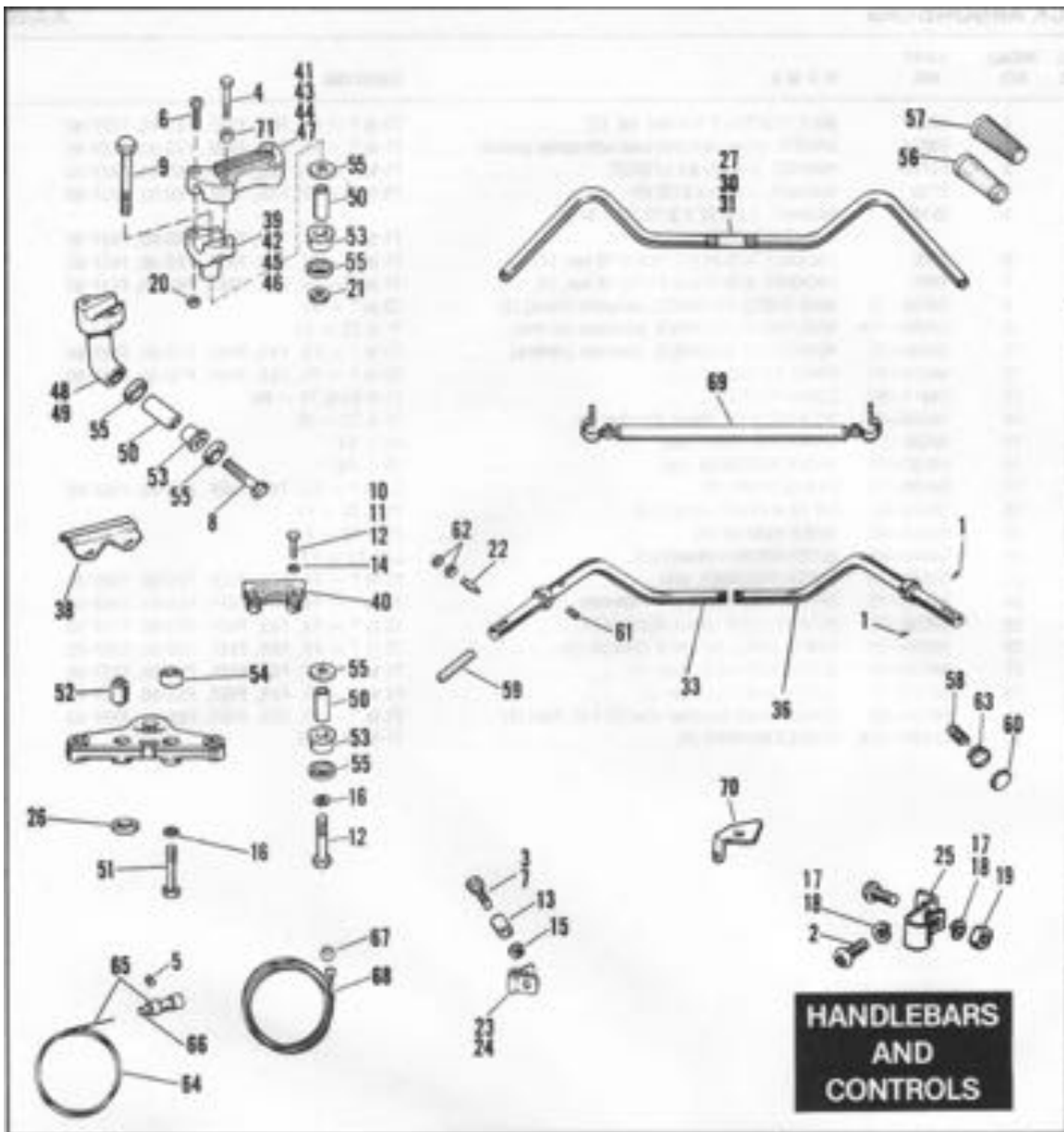
RETAIL PRICE	INDEX NO.	PART NO.	NAME	USED ON
	1	2679W	BOLT, 3/8-16 x 1 hex. hd. (2)	77 to * — FXS, FXS-80
	2	4721	BOLT, 3/8-16 x 1-1/2 hex. hd. (2)	77 to * — FX, FXS, FXEF, FXS-80, FXEF-80
	3	6701	WASHER, 3/8 x 13/16 x 1/16 (2)	77 to * — FXS, FXS-80
	4	6702	WASHER, 5/16 x 11/16 x 1/16 (4)	77 to * — FX, FXEF, FXEF-80
	5	6718	WASHER, 1/2 x 1 x 3/32 (2)	77 to * — FXS, FXS-80
	6	7038	LOCKWASHER, 3/8 (2)	77 to * — FXS, FXS-80
	7	7041	LOCKWASHER, 5/16 (4)	77 to * — FX, FXEF, FXEF-80
	8	7068	LOCKWASHER, 1/2 (2)	77 to * — FXS, FXS-80
	9	7507	ACORN NUT, 5/16-18 x 11/16 x 1/2 hex. (chrome) (4)	77 to * — FX, FXEF, FXEF-80
	10	7778	LOCKNUT, 3/8-16 x 7/16 x 9/16 hex. (2)	77 to * — FX, FXS, FXEF, FXS-80, FXEF-80
	11	7880	NUT, 1/2-13 x 7/16 x 3/4 hex. (2)	77 to * — FXS, FXS-80
	12	33189-63	RUBBER, only — footrest (2)	77 to * — FX, FXS, FXEF, FXS-80, FXEF-80
	13	49108-77	HIGHWAY FOOTREST KIT	77 to * — FX, FXEF, FXEF-80
	14	49114-77	U-BOLT, footrest support (chrome) (2)	77 to * — FX, FXEF, FXEF-80
	15	49115-77	PLATE, footrest support (chrome) (2)	77 to * — FX, FXEF, FXEF-80
	16	49117-77	FOOTREST (2)	77 to * — FX, FXS, FXEF, FXS-80, FXEF-80
	17	49126-77	FOOTREST BRACKET, right — chrome	77 to * — FXS, FXS-80
	18	49127-77	FOOTREST SUPPORT (2)	77 to * — FXS, FXS-80
	19	49129-77	FOOTREST BRACKET, left — chrome	77 to * — FXS, FXS-80
		49130-77	HIGHWAY FOOTREST KIT	71 to 76 — FX
			Consists of:	
		2851	BOLT, footrest bracket — right, 3/8-16 x 7/8 hex. hd. (5)	
		3960W	BOLT, footrest bracket — left, 5/16-24 x 1 hex. hd. (2)	
		4012	BOLT, footrest bracket — left, 5/16-24 x 1-1/8 hex. hd. (2)	
		4721	BOLT, footrest, 3/8-16 x 1-1/2 hex. hd. (2)	
		6702	WASHER, footrest bracket — left, 5/16 x 11/16 x 1/16 (4)	
		6718	WASHER, footrest support, 1/2 x 1-1/16 x 3/32 (2)	
		7038	LOCKWASHER, footrest bracket — right, 3/8 (2)	
		7068	LOCKWASHER, footrest support, 1/2 (2)	
		7145W	LOCKWASHER, footrest bracket — right, 3/8 external tooth (3)	
		7778	LOCKNUT, footrest, 3/8-16 x 7/16 x 9/16 hex. (2)	
		7880	NUT, footrest support, 1/2-13 x 7/16 x 3/4 hex. (2)	
		49117-77	FOOTREST (2)	
		49126-77	FOOTREST BRACKET, right — chrome	
		49127-77	FOOTREST SUPPORT (2)	
		49129-77	FOOTREST BRACKET, left — chrome	
		50912-72	SPRING WASHER	
	20	49140-80	FOOTREST (2)	80 to * — FXS, FXS-80
	21	50912-72	SPRING WASHER, footrest (2)	77 to * — FX, FXS, FXS-80
	22	50936-77	SET OF CAPS, footrest	77 to * — FX, FXS, FXS-80

NOTE: Asterisk (*) indicates part is used for latest model year shown on cover.

RETAIL PRICE	INDEX NO.	PART NO.	NAME	USED ON
	1	3958	BOLT, 1/2-20 x 2-1/4 hex. hd. (2)	73 to * - FX, FXS, FXEF, FXS-80, FXEF-80
	2	5902W	SPACER, upper stud (not used with safety guards)	71 to * - FX, FXS, FXEF, FXS-80, FXEF-80
	3	6379W	WASHER, 3/8 x 5/8 x 1/16 (2)	71 to * - FX, FXS, FXEF, FXS-80, FXEF-80
	4	6718	WASHER, 1/2 x 1 x 3/32 (4)	73 to * - FX, FXS, FXEF, FXS-80, FXEF-80
	5	6910W	WASHER, 1-21/32 x 2-15/32 x 3/32 (w/2 drilled holes) (3)	71 to * - FX, FXS, FXEF, FXS-80, FXEF-80
	6	7775	LOCKNUT, 3/8-24 x 7/16 x 9/16 hex. (4)	71 to * - FX, FXS, FXEF, FXS-80, FXEF-80
	7	7993	LOCKNUT, 5/8-18 x 3/8 x 15/16 hex. (4)	71 to * - FX, FXS, FXEF, FXS-80, FXEF-80
	9	54508-73	REAR SHOCK ABSORBER, complete (black) (2)	73 to * - FX
	10	54509-71A	REAR SHOCK ABSORBER, complete (chrome)	71 & 72 - FX
	11	54509-73	REAR SHOCK ABSORBER, complete (chrome)	73 to * - FX, FXS, FXEF, FXS-80, FXEF-80
	12	54515-73	UPPER STUD (2)	73 to * - FX, FXS, FXEF, FXS-80, FXEF-80
	13	54517-67	LOWER STUD (2)	71 & Early 72 - FX
	14	54530-67	ROTATING CAM, shock absorber (2)	71 & 72 - FX
	15	54536-67	SHOCK ABSORBER, only	71 - FX
	16	54537-72	SHOCK ABSORBER, only	72 - FX
	17	54538-73	CAM SUPPORT (2)	73 to * - FX, FXS, FXEF, FXS-80, FXEF-80
	18	54543-65	OUTER WASHER (upper) (4)	71 & 72 - FX
	19	54544-65	INNER WASHER (4)	71 & 72 - FX
	20	54545-65	OUTER WASHER (lower) (2)	Late 72 - FX
	21	54546-67	SHOCK ABSORBER, only	73 to * - FX, FXS, FXEF, FXS-80, FXEF-80
	24	54555-73	SPRING, shock absorber - chrome	73 to * - FX, FXS, FXEF, FXS-80, FXEF-80
	25	54558-73	ROTATING CAM, shock absorber (4)	73 to * - FX, FXS, FXEF, FXS-80, FXEF-80
	26	54559-73	CAM SLEEVE, rear shock absorber (2)	73 to * - FX, FXS, FXEF, FXS-80, FXEF-80
	27	54635-67	SPRING RETAINER, upper (2)	71 to * - FX, FXS, FXEF, FXS-80, FXEF-80
	28	54700-67	COVER, shock absorber (2)	71 to * - FX, FXS, FXEF, FXS-80, FXEF-80
	29	54704-65	COVER, shock absorber stud (3/8 in. hole) (2)	71 to * - FX, FXS, FXEF, FXS-80, FXEF-80
	30	85210-42A	RUBBER BUSHING (2)	71 & 72 - FX

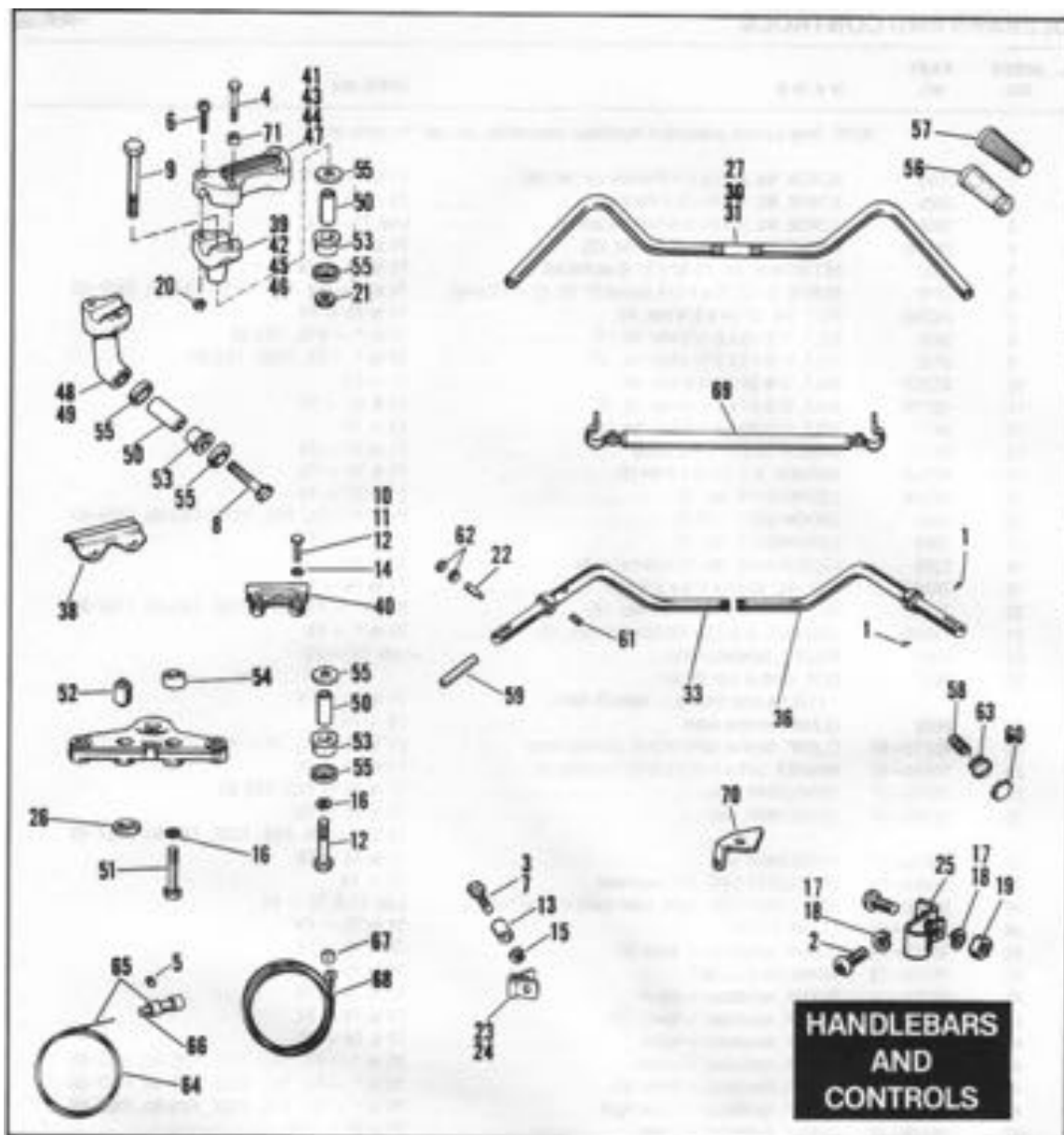
STANLEY J. CHEN
CHEN
S. J. CHEN

NOTE: Asterisk (*) indicates part is used for latest model year shown on cover.



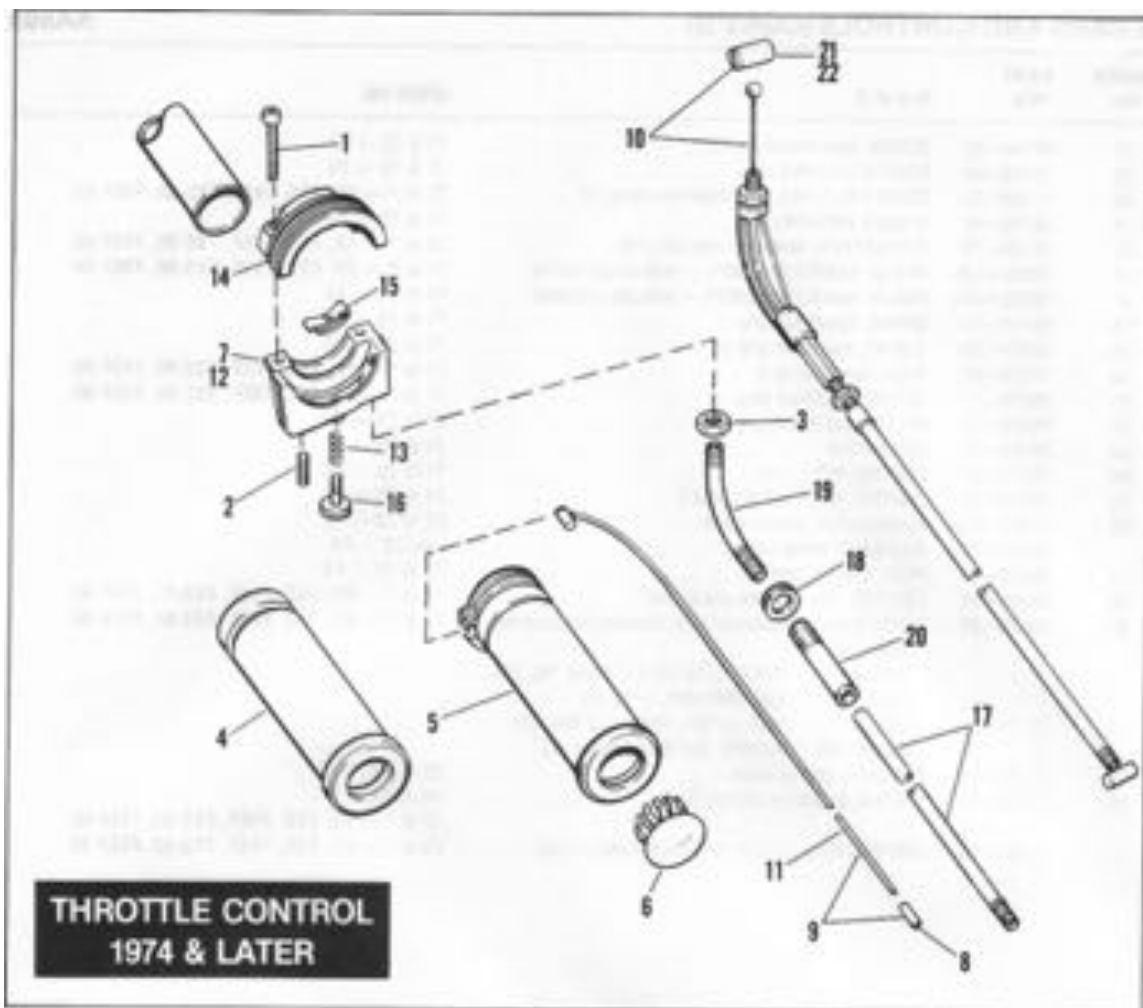
RETAIL PRICE	INDEX NO.	PART NO.	NAME	USED ON
NOTE: Only current production handlebar assemblies are sold for parts order.				
	1	2594	SCREW, No. 8-32 x 1/4 Pozidriv pan hd. (4)	71 to 74 — FX
	2	2660	SCREW, No. 10-24 x 3/8 Pozidriv hd.	73 — FX
	3	2808	SCREW, No. 8-32 x 3/8 Pozidriv pan hd.	Late 73 — FX
	4	2887W	BOLT, 5/16-18 x 1-3/4 hex. hd. (2)	74 to * — FX
	5	3207	SET SCREW, No. 10-32 x 3/16 socket hd.	71 to 73 — FX
	6	3210	SCREW, 5/16-18 x 1-1/4 socket fl. hd. (2 — FX only)	74 to * — FX, FXS, FXEF, FXS-80, FXEF-80
	7	3425W	BOLT, No. 12-24 x 3/4 hex. hd.	71 to 74 — FX
	8	3450	BOLT, 1/2-13 x 2-1/2 hex. hd. (2)	77 to * — FXS, FXS-80
	9	3778	BOLT, 1/2-13 x 3-3/4 hex. hd. (2)	74 to * — FX, FXEF, FXS-80
	10	4336W	BOLT, 3/8-24 x 1-1/8 hex. hd.	71 — FX
	11	4337W	BOLT, 3/8-24 x 1-1/4 hex. hd. (2)	72 & 73 — FX
	12	4414	BOLT, 1/2-20 x 2-1/2 hex. hd. (2)	73 — FX
	13	5915B	SPACER, throttle cable clamp	71 to 74 — FX
	14	6379W	WASHER, 3/8 x 5/8 x 3/64 (2)	71 & 72 — FX
	15	7030W	LOCKWASHER, No. 12	71 to 74 — FX
	16	7068	LOCKWASHER, 1/2 (2)	71 to * — FX, FXS, FXEF, FXS-80, FXEF-80
	17	7069	LOCKWASHER, No. 10	71 to 74 — FX
	18	7220	LOCKWASHER, No. 10 external tooth	73 — FX
	19	7620W	NUT, No. 10-24 x 1/8 x 3/8 hex.	71 to 74 — FX
	20	7748W	NUT, 5/16-18 x 1/4 x 1/2 hex. (4)	74 to * — FX, FXS, FXEF, FXS-80, FXEF-80
	21	7788W	LOCKNUT, 1/2-13 x 19/32 x 3/4 hex. (2)	74 to * — FX
	22	9260	ROLLER, handlebar grip	Late 73 — FX
	23	9957	CLIP, control coil (limer) (1971 & later throttle — beneath tank)	71 to 76 — FX
	24	9982	CLAMP, throttle cable	73 — FX
	25	45218—52	CLAMP, throttle cable (frame steering head)	71 & 72 — FX; 74 — FX
	26	54544—65	WASHER, 5/8 x 1-1/2 x 3/32 (curved) (2)	71 to 75 — FX
	27	55963—77	HANDLEBAR, only	77 to 79 — FXS, FXS-80
	30	56083—74	HANDLEBAR, only	74 to 76 — FX; 79 to * — FX, FXS, FXEF, FXS-80, FXEF-80
	31	56083—77	HANDLEBAR, only	77 to 78 — FX
	33	56084—73	HANDLEBAR SIDE, left, buckhorn	73 — FX
	36	56088—89A	HANDLEBAR SIDE, right, sport (with cut-out switch)	Late 71 & 72 — FX
	38	56101—52	CLAMP COVER	71 to 73 — FX
	39	56103—74A	CLAMP, handlebar — lower left	74 to 78 — FX
	40	56104—73	HANDLEBAR CLAMP	71 to 73 — FX
	41	56104—74	CLAMP, handlebar — upper	74 to 76 — FX
	42	56106—74A	CLAMP, handlebar — lower right	74 to 78 — FX
	43	56115—77	CLAMP, handlebar — upper	77 & 78 — FX
	44	56115—79	CLAMP, handlebar — upper	79 to * — FX, FXS, FXEF, FXS-80, FXEF-80
	45	56116—77	CLAMP, handlebar — lower left	79 to * — FX, FXS, FXEF, FXS-80, FXEF-80
	46	56117—77	CLAMP, handlebar — lower right	79 to * — FX, FXS, FXEF, FXS-80, FXEF-80
	47	56119—77	CLAMP, handlebar — upper	77 & 78 — FXS
	48	56122—77	CLAMP, handlebar — lower left	77 & 78 — FXS
	49	56124—77	CLAMP, handlebar — lower right	77 & 78 — FXS
	50	56153—73	SPACER, handlebar mounting (2)	73 to * — FX, FXS, FXEF, FXS-80, FXEF-80

NOTE: Asterisk (*) indicates part is used for latest model year shown on cover.



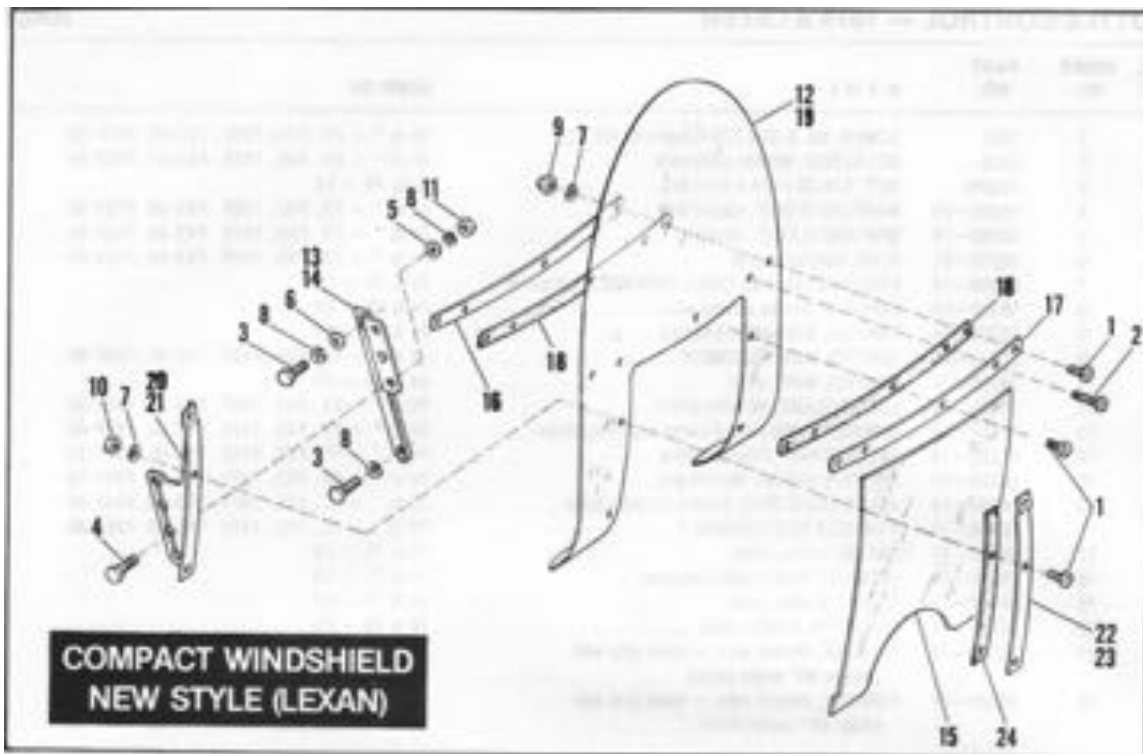
RETAIL PRICE	INDEX NO.	PART NO.	N A M E	USED ON
	51	56154-52	SCREW, riser mounting (2)	71 & 72 - FX
	52	56158-49	RUBBER BUSHING (2)	71 & 72 - FX
	53	56158-73	RUBBER BUSHING, handlebar mounting (4)	73 to * - FX, FXS, FXEF, FXS-80, FXEF-80
	54	56159-49	RUBBER WASHER (2)	71 & 72 - FX
	55	56159-73	CUP WASHER, handlebar mounting (4)	73 to * - FX, FXS, FXEF, FXS-80, FXEF-80
	56	56201-62A	PAIR OF HANDLEBAR GRIPS - with plugs (white)	71 to * - FX, FXS, FXEF, FXS-80, FXEF-80
	57	56205-62A	PAIR OF HANDLEBAR GRIPS - with plugs (black)	71 to 73 - FX
	58	56216-53	SPRING, handlebar grip	71 to 73 - FX
	59	56220-58	SLEEVE, handlebar grip (2)	71 to 73 - FX
	60	56238-62	PLUG, handlebar grip	71 to * - FX, FXS, FXEF, FXS-80, FXEF-80
	61	56276-31	SCREW, handlebar plug	71 to * - FX, FXS, FXEF, FXS-80, FXEF-80
	62	56278-10	ROLLER, handlebar grip	71 to 73 - FX
	63	56288-53	END SCREW	71 to 79 - FX
	64	56377-65	CONTROL WIRE, only	71 to 73 - FX
	65	56378-65	CONTROL WIRE AND PLUNGER	71 to 73 - FX
	66	56400-53A	PLUNGER KIT, control cable	71 to 73 - FX
		56401-73	PLUNGER, control cable	Late 73 - FX
	67	56410-53	PLUG, control cable (2)	71 to 73 - FX
	68	56503-65	CONTROL CABLE (throttle and timer)	71 to * - FX, FXS, FXEF, FXS-80, FXEF-80
	69	56573-26	CROSS BAR, handlebar (use for mounting accessories)	71 to * - FX, FXS, FXEF, FXS-80, FXEF-80
		Includes:		
		3974HW	BOLT, 5/16-24 x 3/4 hex. hd. (2)	
		7041	LOCKWASHER, 5/16 (2)	
		7753	NUT, 5/16 x 1/4 x 1/2 hex. (2)	
		56561-26	CLAMP, bar to handlebar (2)	
	70	61138-73	BRACKET, throttle cable	73 - FX
	71	67009-72	SPACER, handlebar clamp (2)	74 - FX;
				76 to * - FX, FXS, FXEF, FXS-80, FXEF-80
		91701-48	CONTROL CABLE - 25 ft. (front brake and clutch)	71 to * - FX, FXS, FXEF, FXS-80, FXEF-80

NOTE: Asterisk (*) indicates part is used for latest model year shown on cover.



RETAIL PRICE	INDEX NO.	PART NO.	N A M E	USED ON
	1	1203	SCREW, No. 8-32 x 7/8 Pozidriv fl. hd. (Z)	74 to * — FX, FXS, FXEF, FXS-80, FXEF-80
	2	3208	SET SCREW, throttle cable stop	74 to * — FX, FXS, FXEF, FXS-80, FXEF-80
	3	7689W	NUT, 1/4-20 x 1/4 x 7/16 hex.	Early 74 — FX
	4	56206-74	HANDLEBAR GRIP, rubber only	74 to * — FX, FXS, FXEF, FXS-80, FXEF-80
	5	56220-74	GRIP AND SLEEVE, throttle	74 to * — FX, FXS, FXEF, FXS-80, FXEF-80
	6	56238-62	PLUG, handlebar grip	74 to * — FX, FXS, FXEF, FXS-80, FXEF-80
	7	56300-74	LOWER CLAMP AND CABLE ASSEMBLY, complete	74 & 75 — FX
	8	56302-74	FERRULE, throttle control wire	74 & 75 — FX
	9	56303-74	CONTROL WIRE AND FERRULE	74 & 75 — FX
	10	56313-76	CONTROL WIRE ASSEMBLY	76 to * — FX, FXS, FXEF, FXS-80, FXEF-80
	11	56389-74	CONTROL WIRE, only	74 & 75 — FX
	12	56393-74A	LOWER CLAMP, throttle control	74 to * — FX, FXS, FXEF, FXS-80, FXEF-80
	13	56394-74	SPRING, throttle control clamp adjusting screw	74 to * — FX, FXS, FXEF, FXS-80, FXEF-80
	14	56395-74	UPPER CLAMP, throttle control	74 to * — FX, FXS, FXEF, FXS-80, FXEF-80
	15	56396-74	FRICTION SPRING, throttle grip	74 to * — FX, FXS, FXEF, FXS-80, FXEF-80
	16	56397-74	ADJUSTING SCREW, throttle control clamp	74 to * — FX, FXS, FXEF, FXS-80, FXEF-80
		56500-79	THROTTLE GRIP ASSEMBLY	74 to * — FX, FXS, FXEF, FXS-80, FXEF-80
	17	56502-74	CASING, control wire	74 & 75 — FX
	18	56505-74	LOCKNUT, throttle cable adjuster	74 & 75 — FX
	19	56506-74	ELBOW, throttle cable	74 & 75 — FX
	20	56507-74	ADJUSTER, throttle cable	74 & 75 — FX
	21	56508-76	FERRULE, control wire — hand grip end (Plastic 90° angle piece)	76 to * — FX, FXS, FXEF, FXS-80, FXEF-80
	22	56520-77	FERRULE, control wire — hand grip end (Steel 90° angle piece)	76 to * — FX, FXS, FXEF, FXS-80, FXEF-80

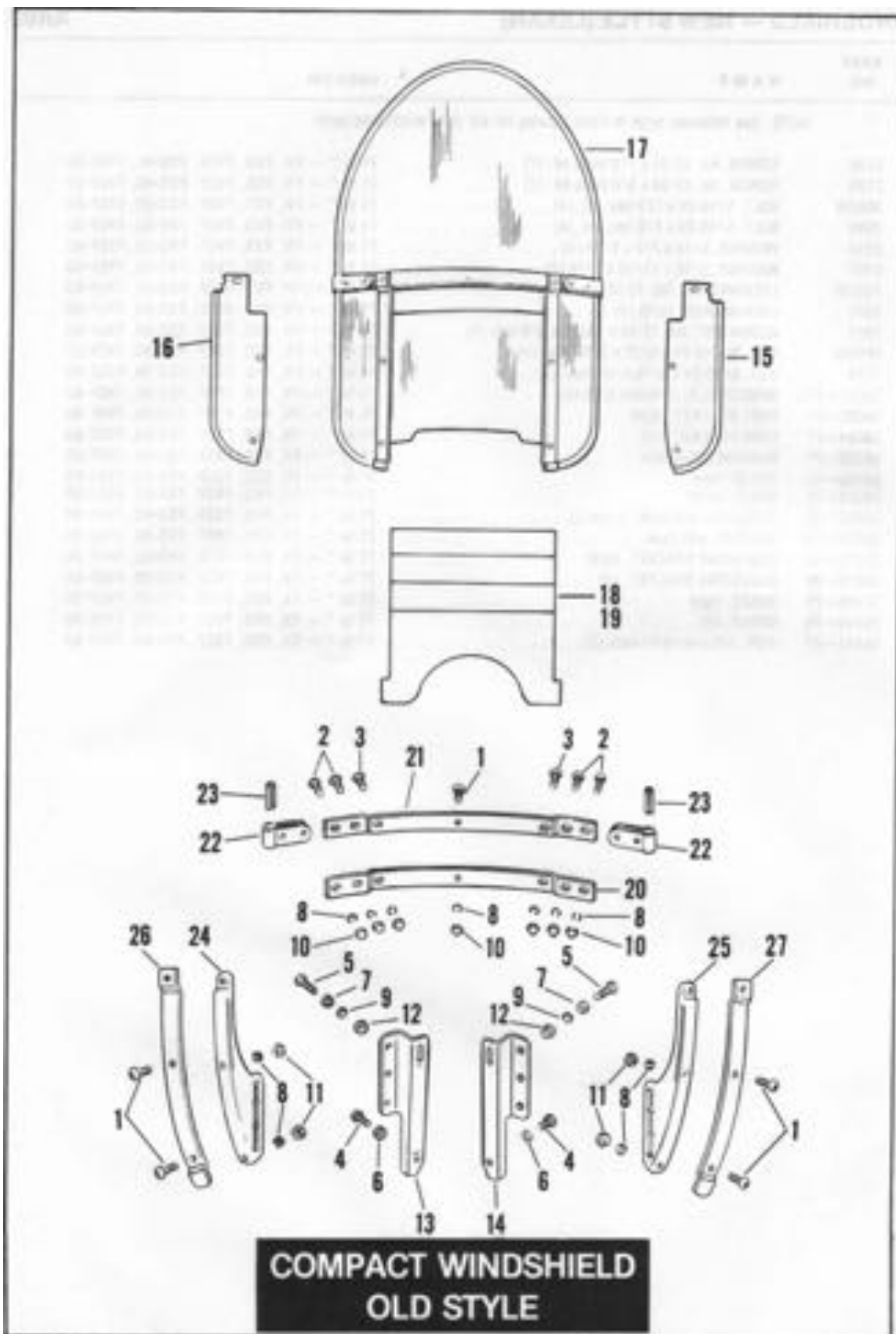
NOTE: Asterisk (*) indicates part is used for latest model year shown on cover.



RETAIL PRICE	INDEX NO.	PART NO.	N A M E	USED ON
NOTE: See following page in Parts Catalog for old style windshield parts.				
	1	2725	SCREW, No. 12-24 x 1/2 truss hd. (7)	71 to * — FX, FXS, FXEF, FXS-80, FXEF-80
	2	2728	SCREW, No. 12-24 x 3/4 truss hd. (2)	71 to * — FX, FXS, FXEF, FXS-80, FXEF-80
	3	3953W	BOLT, 5/16-24 x 1/2 hex. hd. (4)	71 to * — FX, FXS, FXEF, FXS-80, FXEF-80
	4	3996	BOLT, 5/16-24 x 7/8 hex. hd. (4)	71 to * — FX, FXS, FXEF, FXS-80, FXEF-80
	5	6333	WASHER, 5/16 x 7/8 x 5/64 (4)	71 to * — FX, FXS, FXEF, FXS-80, FXEF-80
	6	6702	WASHER, 5/16 x 11/16 x 1/16 (2)	71 to * — FX, FXS, FXEF, FXS-80, FXEF-80
	7	7030W	LOCKWASHER, No. 12 (9)	71 to * — FX, FXS, FXEF, FXS-80, FXEF-80
	8	7041	LOCKWASHER, 5/16 (8)	71 to * — FX, FXS, FXEF, FXS-80, FXEF-80
	9	7651	ACORN NUT, No. 12-24 x 13/32 x 3/8 hex. (5)	71 to * — FX, FXS, FXEF, FXS-80, FXEF-80
	10	7654W	NUT, No. 12-24 x 5/32 x 7/16 hex. (4)	71 to * — FX, FXS, FXEF, FXS-80, FXEF-80
	11	7744	NUT, 5/16-24 x 3/16 x 1/2 hex. (4)	71 to * — FX, FXS, FXEF, FXS-80, FXEF-80
	12	58001—71C	WINDSHIELD, complete (LEXAN)	71 to * — FX, FXS, FXEF, FXS-80, FXEF-80
	13	58003—71	FORK BRACKET, right	71 to * — FX, FXS, FXEF, FXS-80, FXEF-80
	14	58004—71	FORK BRACKET, left	71 to * — FX, FXS, FXEF, FXS-80, FXEF-80
	15	58026—77	WINDOW, adjustable	71 to * — FX, FXS, FXEF, FXS-80, FXEF-80
	16	58050—78	BRACE, inner	71 to * — FX, FXS, FXEF, FXS-80, FXEF-80
	17	58051—78	BRACE, outer	71 to * — FX, FXS, FXEF, FXS-80, FXEF-80
	18	58052—78	TAPE, inner and outer brace (2)	71 to * — FX, FXS, FXEF, FXS-80, FXEF-80
	19	58053—78	WINDOW, with tape	71 to * — FX, FXS, FXEF, FXS-80, FXEF-80
	20	58078—49	ADJUSTING BRACKET, right	71 to * — FX, FXS, FXEF, FXS-80, FXEF-80
	21	58079—49	ADJUSTING BRACKET, left	71 to * — FX, FXS, FXEF, FXS-80, FXEF-80
	22	58406—75	BRACE, right	71 to * — FX, FXS, FXEF, FXS-80, FXEF-80
	23	58408—75	BRACE, left	71 to * — FX, FXS, FXEF, FXS-80, FXEF-80
	24	58417—77	TAPE, left and right brace (2)	71 to * — FX, FXS, FXEF, FXS-80, FXEF-80

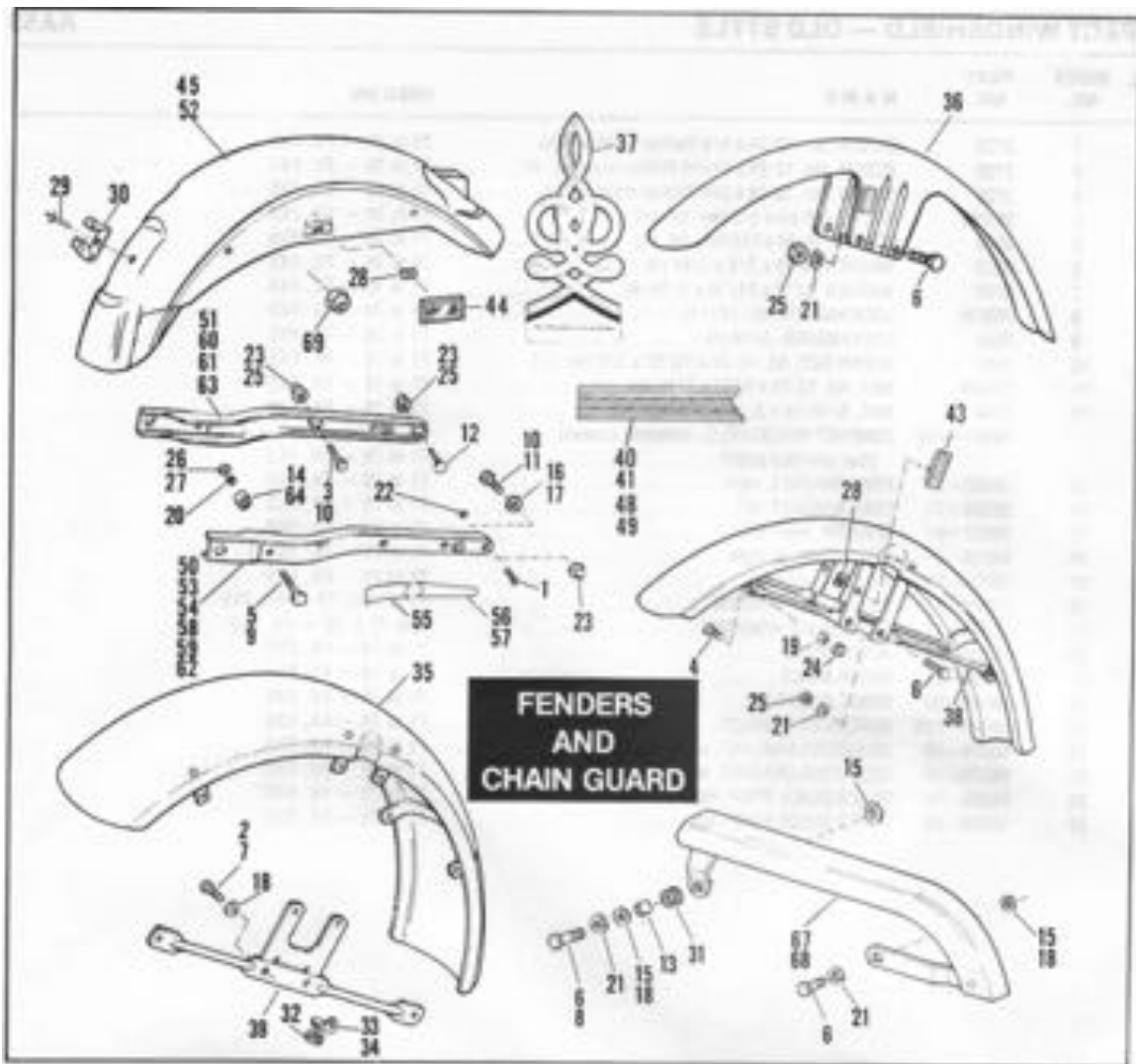


NOTE: Asterisk (*) indicates part is used for latest model year shown on cover.



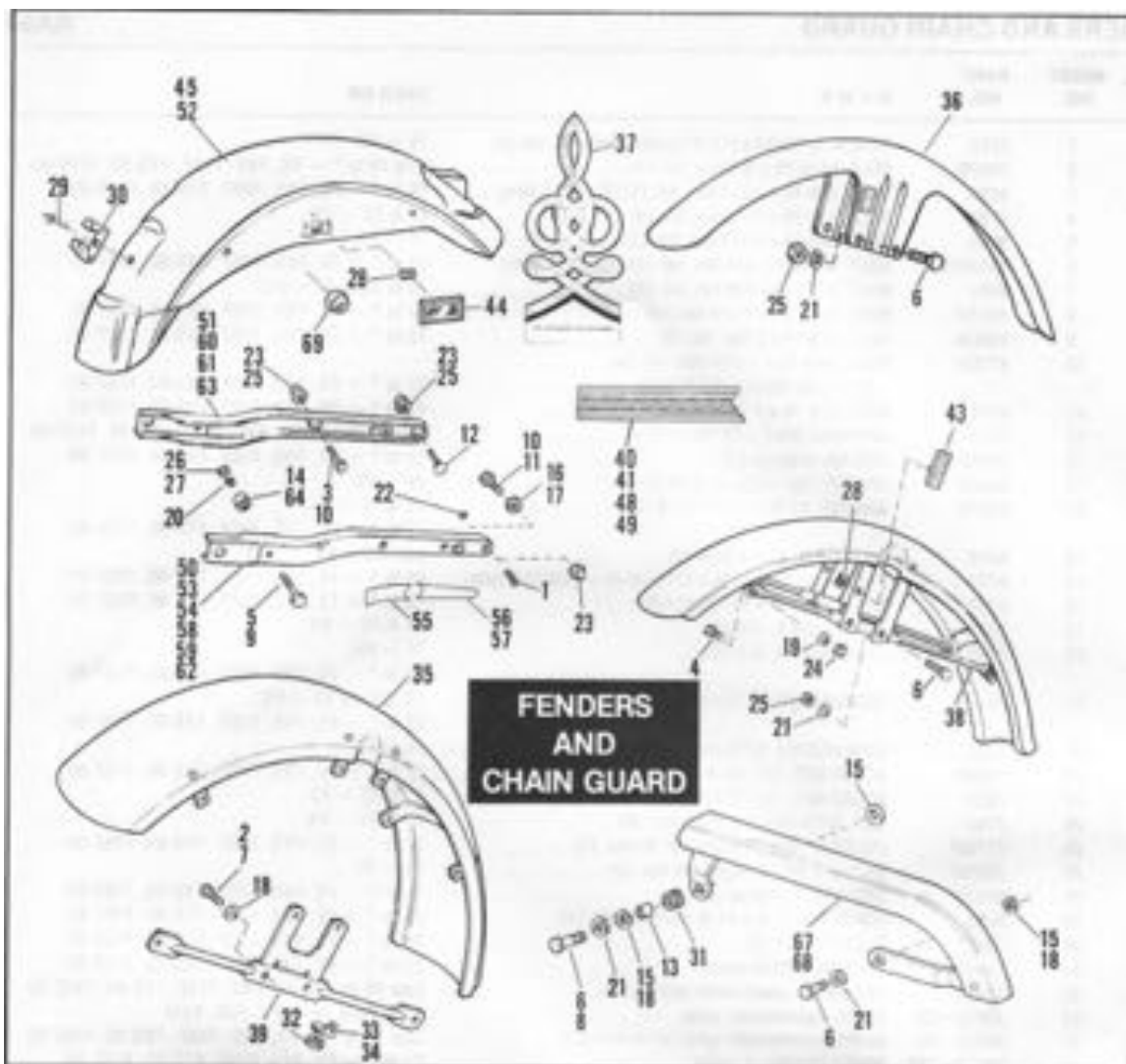
**COMPACT WINDSHIELD
OLD STYLE**

RETAIL PRICE	INDEX NO.	PART NO.	N A M E	USED ON
	1	2720	SCREW, No. 12-24 x 5/8 Phillips truss hd. (5)	71 to 78 — FX, FXS
	2	2726	SCREW, No. 12-24 x 11/16 Phillips truss hd. (4)	71 to 78 — FX, FXS
	3	2728	SCREW, No. 12-24 x 3/4 Phillips truss hd. (2)	71 to 78 — FX, FXS
	4	3953W	BOLT, 5/16-24 x 1/2 hex. hd. (4)	71 to 78 — FX, FXS
	5	3996	BOLT, 5/16-24 x 7/8 hex. hd. (4)	71 to 78 — FX, FXS
	6	6333	WASHER, 5/16 x 7/8 x 5/64 (4)	71 to 78 — FX, FXS
	7	6702	WASHER, 5/16 x 11/16 x 1/16 (4)	71 to 78 — FX, FXS
	8	7030W	LOCKWASHER, No. 12 (11)	71 to 78 — FX, FXS
	9	7041	LOCKWASHER, 5/16 (8)	71 to 78 — FX, FXS
	10	7651	ACORN NUT, No. 12-24 x 13/32 x 3/8 hex. (7)	71 to 78 — FX, FXS
	11	7654W	NUT, No. 12-24 x 5/32 x 7/16 hex. (4)	71 to 78 — FX, FXS
	12	7744	NUT, 5/16-24 x 3/16 x 1/2 hex. (4)	71 to 78 — FX, FXS
		58001—71C	COMPACT WINDSHIELD, complete (Lexan) (See previous page)	71 to 78 — FX, FXS
	13	58003—71	FORK BRACKET, right	71 to 78 — FX, FXS
	14	58004—71	FORK BRACKET, left	71 to 78 — FX, FXS
	15	58017—61	WINDOW, lower left	71 to 78 — FX, FXS
	16	58018—61	WINDOW, lower right	71 to 78 — FX, FXS
	17	58020—61	WINDOW, upper	71 to 78 — FX, FXS
	18	58025—61A	ADJUSTABLE WINDOW	71 to Early 77 — FX, FXS
	19	58026—77	ADJUSTABLE WINDOW	Late 77 & 78 — FX, FXS
	20	58038—61	INNER BRACE	71 to 78 — FX, FXS
	21	58039—61	OUTER BRACE	71 to 78 — FX, FXS
	22	58048—50	BRACE CLAMP (2)	71 to 78 — FX, FXS
	23	58049—50A	RUBBER BUSHING (2)	71 to 78 — FX, FXS
	24	58078—49	ADJUSTING BRACKET, right	71 to 78 — FX, FXS
	25	58079—49	ADJUSTING BRACKET, left	71 to 78 — FX, FXS
	26	58085—49	OUTER BRACE STRIP, right	71 to 78 — FX, FXS
	27	58086—49	OUTER BRACE STRIP, left	71 to 78 — FX, FXS



RETAIL PRICE	INDEX NO.	PART NO.	NAME	USED ON
	1	2272	SCREW, 5/16-24 x 1-1/4 Pozidriv oval ctk. hd. (4)	71 - FX
	2	2882W	BOLT, 5/16-18 x 5/8 hex. hd. (4)	Late 74 to * - FX, FXS, FXEF, FXS-80, FXEF-80
	3	3434	BOLT, 3/8-16 x 1-3/8 hex. hd. (3) (2 - 80 & later)	79 to * - FX, FXS, FXEF, FXS-80, FXEF-80
	4	3720	BOLT, 1/4-28 x 7/16 hex. hd. (4)	71 & 72 - FX
	5	3945	BOLT, 3/8-24 x 2-1/4 hex. hd. (2)	71 - FX
	6	3974HW	BOLT, 5/16-24 x 3/4 hex. hd. (4) (3 - 77 & later)	71 to * - FX, FXS, FXEF, FXS-80, FXEF-80
	7	3991	BOLT, 5/16-24 x 7/8 hex. hd. (4)	73 to Early 74 - FX
	8	4014W	BOLT, 5/16-24 x 1-1/4 hex. hd.	77 to * - FX, FXS, FXEF, FXS-80, FXEF-80
	9	4380W	BOLT, 3/8-24 x 2 hex. hd. (7)	72 to * - FX, FXS, FXEF, FXS-80, FXEF-80
	10	4718W	BOLT, 3/8-16 x 1-1/4 hex. hd. (4) (3 - Late 78) (1 - 80 & later)	72 to * - FX, FXS, FXEF, FXS-80, FXEF-80 80 to * - FX, FXS, FXEF, FXS-80, FXEF-80
	11	4721	BOLT, 3/8-16 x 1-1/2 hex. hd.	Late 78 to * - FX, FXS, FXEF, FXS-80, FXEF-80
	12	5423	CARRIAGE BOLT, 3/8-16 x 1-1/4	73 to * - FX, FXS, FXEF, FXS-80, FXEF-80
	13	5826B	SPACER, chain guard	71 - FX
	14	5842B	SPACER, rear fender support (2)	71 - FX
	15	6107B	WASHER, 5/16 x 11/16 x 1/8 (2)	71 & 72 - FX; 77 to * - FX, FXS, FXEF, FXS-80, FXEF-80
	16	6416	WASHER, 3/8 x 1 x 5/64 (2)	Late 71 - FX
	17	6701	WASHER, 3/8 x 13/16 x 1/16 (4) (8 - Late 78 & later)	72 to * - FX, FXS, FXEF, FXS-80, FXEF-80
	18	6702	WASHER, 5/16 x 11/16 x 1/16	73 to * - FX, FXS, FXEF, FXS-80, FXEF-80
	19	7036	LOCKWASHER, 1/4 (4)	71 & 72 - FX
	20	7038	LOCKWASHER, 3/8 (2)	71 - FX; 80 to * - FX, FXS, FXEF, FXS-80, FXEF-80
	21	7041	LOCKWASHER, 5/16 (4)	73 to Early 74 - FX; 77 to * - FX, FXS, FXEF, FXS-80, FXEF-80
	22	7232	LOCKWASHER, 5/16 external tooth (6)	71 - FX
	23	7680W	ACORN NUT, 3/8-16 (4)	72 to * - FX, FXS, FXEF, FXS-80, FXEF-80
	24	7684	ACORN NUT, 1/4-28 x 3/16 x 3/8 hex. (4)	71 & 72 - FX
	25	7753	NUT, 5/16-24 x 1/4 x 1/2 hex. (8)	71 to 74 - FX
	26	7778W	LOCKNUT, 3/8-24 x 3/4 x 9/16 hex. (2)	72 to * - FX, FXS, FXEF, FXS-80, FXEF-80
	27	7800W	NUT, 3/8-24 x 5/16 x 9/16 hex. (2)	71 - FX
	28	8133W	SPEED NUT, reflector (2)	71 to * - FX, FXS, FXEF, FXS-80, FXEF-80
	29	8483	POP RIVET, 3/16 x 7/16 x 5/8 dia. hd. (3)	78 to * - FX, FXS, FXEF, FXS-80, FXEF-80
	30	9952	FLASHER CLIP (3)	78 to * - FX, FXS, FXEF, FXS-80, FXEF-80
	31	11411	GROMMET, chain guard	73 to * - FX, FXS, FXEF, FXS-80, FXEF-80
	32	11431	GROMMET, speedometer cable guide	Late 78 to * - FX, FXS, FXEF, FXS-80, FXEF-80
	33	38622-73	GUIDE, speedometer cable	73 to Early 78 - FX, FXS, FXEF
	34	38622-78	GUIDE, speedometer cable (grommet type)	Late 78 to * - FX, FXS, FXEF, FXS-80, FXEF-80
	35	59007-73B	FRONT FENDER - prime	71 to * - FX, FXS, FXEF, FXS-80, FXEF-80
	36	59028-70A	FRONT FENDER - prime (fiberglass)	71 & 72 - FX
	37	59100-77	"CONFEDERATE EDITION" DECAL, front fender	77 - FX
	38	59109-70	FENDER BRACE (2)	71 to 74 - FX
	39	59111-74	FENDER BRACE, front fender (2)	75 to * - FX, FXS, FXEF, FXS-80, FXEF-80
	40	59206-72	TRIM TAPE, front fender (red, white & blue)	72 & 73 - FX
	41	59206-74	TRIM TAPE, rear fender (red, white & blue)	74 & 75 - FX
	43	59252-89	REFLECTOR KIT, amber (2)	71 & 72 - FX
	44	59255-72	REFLECTOR, red (2)	72 to * - FX, FXS, FXEF, FXS-80, FXEF-80
	45	59584-73A	REAR FENDER, prime (low seat) (turn signals)	Late 73 to Early 78 - FX, FXS, FXEF
	48	59650-72	TRIM TAPE, rear fender (red, white & blue)	72 & 73 - FX
	49	59650-74	TRIM TAPE, rear fender (red, white & blue)	74 - FX
	50	59672-77	SUPPORT, rear fender - left (chrome)	77 to Early 78 - FXS
	51	59673-77	SUPPORT, rear fender - right (chrome)	77 to * - FXS, FXS-80
	52	59682-78	REAR FENDER, prime (low seat) (turn signals)	Late 78 to * - FX, FXS, FXEF, FXS-80, FXEF-80
	53	59686-78	SUPPORT, rear fender - left (turn signals)	Late 78 to * - FX, FXEF, FXEF-80
	54	59688-78	SUPPORT, rear fender - left (chrome)	Late 78 to * - FXS, FXS-80

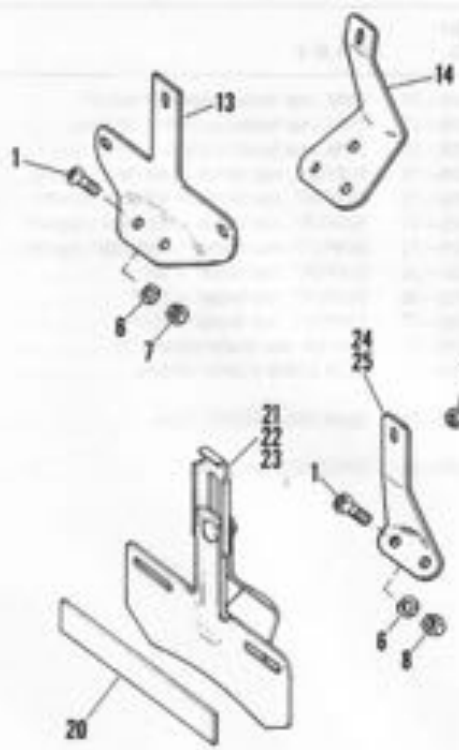
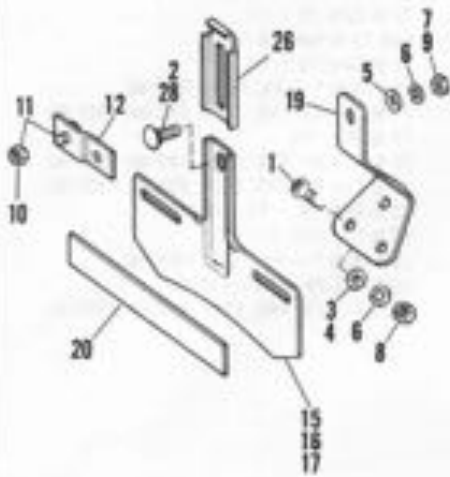
NOTE: Asterisk (*) indicates part is used for latest model year shown on cover.



RETAIL PRICE	INDEX NO.	PART NO.	NAME	USED ON
	55	59704-77	TRIM, rear fender support (front) (2)	77 to * - FXS, FXS-80
	56	59705-77	TRIM, rear fender support - left (rear)	77 to * - FXS, FXS-80
	57	59706-77	TRIM, rear fender support - right (rear)	77 to * - FXS, FXS-80
	58	59928-72	SUPPORT, rear fender - left (turn signals)	72 to Early 73 - FX
	59	59928-73	SUPPORT, rear fender - left (turn signals)	Late 73 to Early 78 - FX
	60	59929-72	SUPPORT, rear fender - right (turn signals)	72 to Early 73 - FX
	61	59929-73	SUPPORT, rear fender - right (turn signals)	Late 73 to * - FX, FXEF, FXEF-80
	62	59932-58	SUPPORT, rear fender - left	71 to * - FX, FXS, FXEF, FXS-80, FXEF-80
	63	59933-58	SUPPORT, rear fender - right	71 to 76 - FX
		59933-77	SUPPORT, rear fender - right	77 to * - FX, FXS, FXEF, FXS-80, FXEF-80
	64	59938-72	SPACER, rear fender support (2)	72 to * - FX, FXS, FXEF, FXS-80, FXEF-80
	67	80302-73	REAR CHAIN GUARD, chrome	73 to Early 78 - FX, FXS; 80 to * - FXS, FXS-80
	68	80302-78	REAR CHAIN GUARD, black	Late 78 to * - FX, FXEF, FXEF-80; Late 78 & 79 - FXS, FXS-80
	69	70577-26	GROMMET, rear fender	72 to * - FX, FXS, FXEF, FXS-80, FXEF-80

NOTE: Asterisk (*) indicates part is used for latest model year shown on cover.

LICENSE PLATE BRACKETS

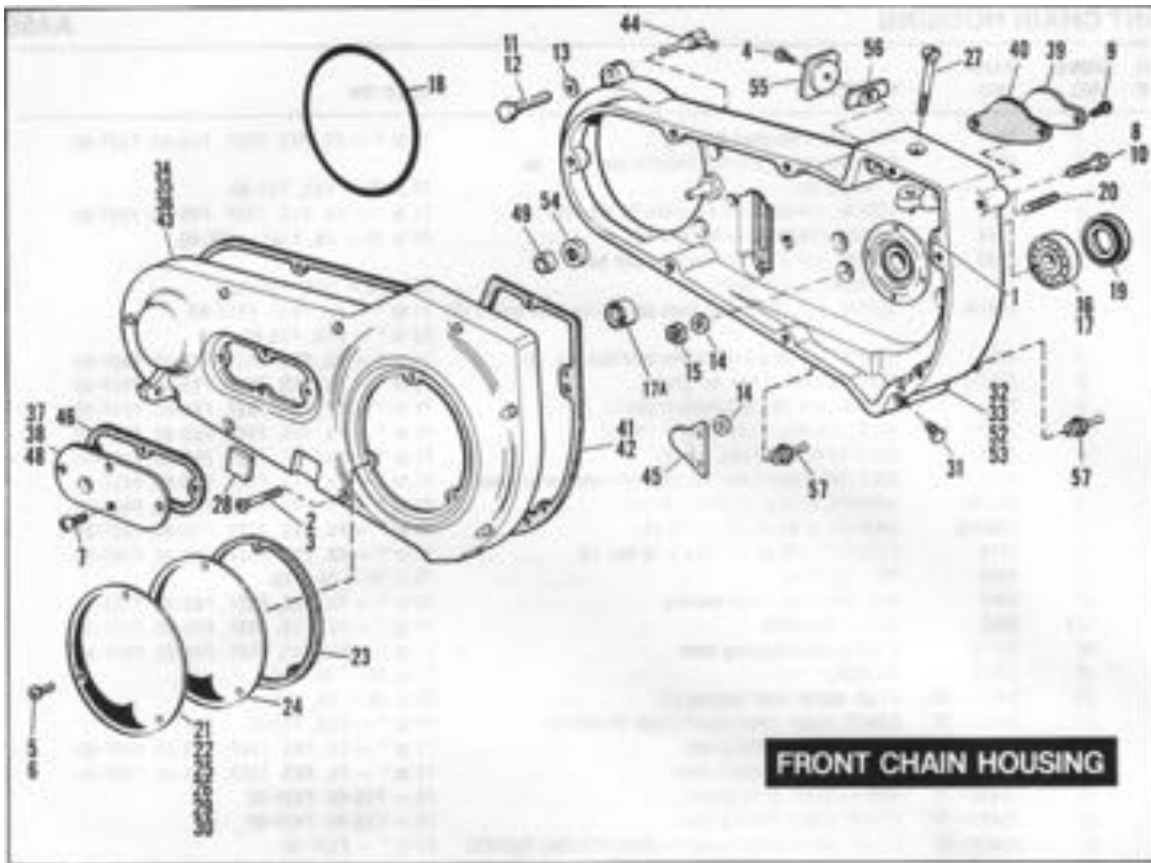


RETAIL PRICE	INDEX NO.	PART NO.	NAME	USED ON
	1	2774	SCREW, 1/4-20 x 5/8 Pozidriv pan hd. (2 or 3)	Late 73 to * — FX, FXS, FXEF, FXS-80, FXEF-80
	2	5403B	CARRIAGE BOLT, 1/4-20 x 1/2	80 to * — FX, FXS, FXEF, FXS-80, FXEF-80
	3	6341B	WASHER, 5/16 x 1-1/8 x 1/16 (2 or 3)	Late 73 to Early 75 — FX
	4	6702	WASHER, 5/16 x 11/16 x 1/16 (3)	Late 75 to * — FX, FXS, FXEF, FXS-80, FXEF-80
	5	6703	WASHER, 1/4 x 5/8 x 1/16	71 to * — FX, FXS, FXEF, FXS-80, FXEF-80
	6	7036	LOCKWASHER, 1/4 (2 or 3)	71 to * — FX, FXS, FXEF, FXS-80, FXEF-80
	7	7676	NUT, 1/4-28 x 3/16 x 7/16 hex.	71 to 79 — FX, FXS, FXEF, FXS-80, FXEF-80
	8	7688	NUT, 1/4-20 x 7/32 x 7/16 hex. (2 or 3)	71 to * — FX, FXS, FXEF, FXS-80, FXEF-80
	9	7689W	JAM NUT, 1/4-20 x 5/32 x 7/16 hex.	80 to * — FX, FXS, FXEF, FXS-80, FXEF-80
	10	7697	NYLON NUT, license plate (2)	74 to * — FX, FXS, FXEF, FXS-80, FXEF-80
	11	5997B-74	BRACKETS WITH STUDS AND NUTS KIT, license plate	Late 74 to * — FX, FXS, FXEF, FXS-80, FXEF-80
	12	59979-74	BRACKET WITH STUD, license plate (2)	74 to * — FX, FXS, FXEF, FXS-80, FXEF-80
	13	59981-74	BRACKET, license plate (security system)	74 & 75 — FX
	14	59982-74	SUPPORT, license plate bracket (security system)	74 & 75 — FX
	15	59983-75	BRACKET ASSEMBLY, license plate	74 to * — FX, FXS, FXEF, FXS-80, FXEF-80
			Consists of	
		6703	WASHER, bracket, 1/4 x 5/8 x 1/16	
		7036	LOCKWASHER, bracket, 1/4	
		7676	NUT, bracket, 1/4-28 x 3/16 x 7/16 hex.	
		59984-73	BRACKET, license plate	
		59986-75	SUPPORT, license plate bracket	
		59988-72	REFLECTOR, license plate bracket	
		60001-55	CLAMP, license plate	
		60002-55	BOLT, license plate clamp	
	16	59984-72	BRACKET, license plate	Late 72 to Early 73 — FX
	17	59984-73	BRACKET, license plate	Late 73 to * — FX, FXS, FXEF, FXS-80, FXEF-80
	19	59986-75	SUPPORT, license plate bracket	76 to * — FX, FXS, FXEF, FXS-80, FXEF-80
	20	59988-72	REFLECTOR, license plate bracket	72 to * — FX, FXS, FXEF, FXS-80, FXEF-80
	21	59995-55A	LICENSE PLATE BRACKET ASSEMBLY	71 to Early 72 — FX
	22	59995-72A	LICENSE PLATE BRACKET ASSEMBLY	Late 72 to Early 73 — FX
	23	59995-73	LICENSE PLATE BRACKET ASSEMBLY	Late 73 — FX
	24	59999-72	SUPPORT, license plate bracket	Late 72 to Early 73 — FX
	25	59999-73	SUPPORT, license plate bracket	Late 73 — FX
	26	60001-55	CLAMP, license plate	71 to * — FX, FXS, FXEF, FXS-80, FXEF-80
	28	60002-55	BOLT, license plate clamp	71 to 79 — FX, FXS, FXEF, FXS-80, FXEF-80

NOTE: Asterisk (*) indicates part is used for latest model year shown on cover.

RETAIL PRICE	INDEX NO.	PART NO.	NAME	USED ON
	1	334	ROLL PIN, front chain housing	71 to * — FX, FXS, FXEF, FXS-80, FXEF-80
	2	903	SCREW, 1/4-20 x 1-1/4 Pozidriv oval ctsk. hd. (black) (8)	77 to 79 — FXS, FXS-80
	3	1301	SCREW, 1/4-20 x 1-1/4 Pozidriv fl. hd. (8)	71 to * — FX, FXS, FXEF, FXS-80, FXEF-80
	4	1374	SCREW, 1/4-28 x 3/4 Pozidriv hd.	73 to 79 — FX, FXEF, FXEF-80
	5	2150	SCREW, 1/4-20 x 1/2 Pozidriv pan hd. (black) (w/lock patch) (3)	77 to 79 — FXS, FXS-80
	6	2337W	SCREW, 1/4-20 x 1/2 Phillips pan hd. (w/lock patch) (3)	71 to * — FX, FXEF, FXEF-80; 80 to * — FXS, FXS-80
	7	2356	SCREW, 1/4-20 x 3/4 Pozidriv oval ctsk. hd. (4)	71 to * — FX, FXS, FXEF, FXS-80, FXEF-80
	8	2551W	BOLT, 1/4-20 x 1 hex. hd. (rear)	79 to * — FX, FXS, FXEF, FXS-80, FXEF-80
	9	2774	SCREW, 1/4-20 x 5/8 Pozidriv pan hd. (2)	71 to * — FX, FXS, FXEF, FXS-80, FXEF-80
	10	2872W	BOLT, 1/4-20 x 1-1/2 hex. hd. (front)	79 to * — FX, FXS, FXEF, FXS-80, FXEF-80
	11	4917	BOLT, 5/16-18 x 1 hex. hd. (2)	71 to * — FX, FXS, FXEF, FXS-80, FXEF-80
	12	4921	BOLT, 5/16-18 x 1 hex. hd. (2) (with safety wire holes)	71 to * — FX, FXS, FXEF, FXS-80, FXEF-80
	13	6324W	WASHER, 5/16 x 11/16 x 3/32 (4)	71 to * — FX, FXS, FXEF, FXS-80, FXEF-80
	14	6388HB	WASHER, 3/8 x 23/32 x 1/16 (4)	74 to * — FX, FXS, FXEF, FXS-80, FXEF-80
	15	7775	LOCKNUT, 3/8-24 x 7/16 x 9/16 hex. (4)	71 to * — FX, FXS, FXEF, FXS-80, FXEF-80
	16	9040	BALL BEARING	70 to 78 — FX, FXS
	17	9061	BALL BEARING, chain housing	79 to * — FX, FXS, FXEF, FXS-80, FXEF-80
	17A	9063	NEEDLE BEARING	71 to * — FX, FXS, FXEF, FXS-80, FXEF-80
	18	11125	O-RING, chain housing cover	71 to * — FX, FXS, FXEF, FXS-80, FXEF-80
	19	12018	OIL SEAL	71 to 78 — FX, FXS
	20	24811-59A	STUD, starter shaft housing (2)	73 to 78 — FX, FXS
	21	25401-77	COVER, clutch, chain guard (Eagle Medallion)	77 to * — FXS, FXS-80
	22	25414-70	COVER, clutch, chain guard	71 to * — FX, FXS, FXEF, FXS-80, FXEF-80
	23	25416-70	GASKET, chain & clutch cover	71 to * — FX, FXS, FXEF, FXS-80, FXEF-80
	24	25420-79	INNER COVER, chain guard	79 — FXS-80, FXEF-80
	25	25421-79	COVER, clutch, chain guard	79 — FXS-80, FXEF-80
	26	25426-80	COVER, clutch, chain guard — (EIGHTY CUBIC INCHES)	80 to * — FXEF-80
	27	31478-65A	TOP SCREW, chain housing	73 to * — FX, FXS, FXEF, FXS-80, FXEF-80
	28	50100-70	BUMPER, jifty stand	71 to * — FX, FXS, FXEF, FXS-80, FXEF-80
	29	52574-77	COVER, clutch, chain guard — "Eagle Medallion"	77 to * — FX, FXS, FXEF, FXS-80, FXEF-80
	30	52577-77	COVER, clutch, chain guard — "No. 1" (silver)	Late 77 to * — FX, FXS, FXEF, FXS-80, FXEF-80
	31	60348-65	MAGNETIC DRAIN PLUG	71 to * — FX, FXS, FXEF, FXS-80, FXEF-80
	32	60421-79	FRONT CHAIN HOUSING	79 to * — FX, FXEF, FXEF-80
	33	60431-79	FRONT CHAIN HOUSING (painted)	77 to * — FXS, FXS-80
	34	60488-80	COVER, chain housing (with needle bearing 9063) (painted)	80 to * — FXS, FXS-80
	35	60507-77	COVER, chain housing (with needle bearing 9063)	77 to * — FX, FXEF, FXEF-80
	36	60508-70	COVER, chain housing (with needle bearing 9063)	71 to 78 — FX
	37	60512-71	INSPECTION COVER, cadmium (with footpeg hole)	71 to 73 — FX
	38	60513-71	INSPECTION COVER, chrome (with footpeg hole)	71 to 73 — FX
	39	60514-65	COVER, starter hole	71 to 78 — FX
	40	60518-65	GASKET, starter hole cover	71 to 78 — FX
	41	60539-80	GASKET, housing	80 to * — FXS, FXS-80
	42	60540-65A	GASKET, housing cover	71 to * — FX, FXEF, FXEF-80; 77 to 79 — FXS, FXS-80
	43	60547-77	COVER, chain housing (with needle bearing 9063) (painted)	77 to 79 — FXS, FXS-80
	44	60549-70	CHAIN OILER FITTING, chain housing	71 to * — FX, FXS, FXEF, FXS-80, FXEF-80
	45	60556-74	BAFFLE PLATE, front chain housing	71 & 72 — FX
	46	60567-65	GASKET, inspection cover	71 to * — FX, FXS, FXEF, FXS-80, FXEF-80
	48	60579-74	INSPECTION COVER, chrome — with bushing and oil seal	74 to * — FX, FXS, FXEF, FXS-80, FXEF-80
	49	60593-74	BUSHING, shifter shaft	74 to * — FX, FXS, FXEF, FXS-80, FXEF-80

NOTE: Asterisk (*) indicates part is used for latest model year shown on cover.

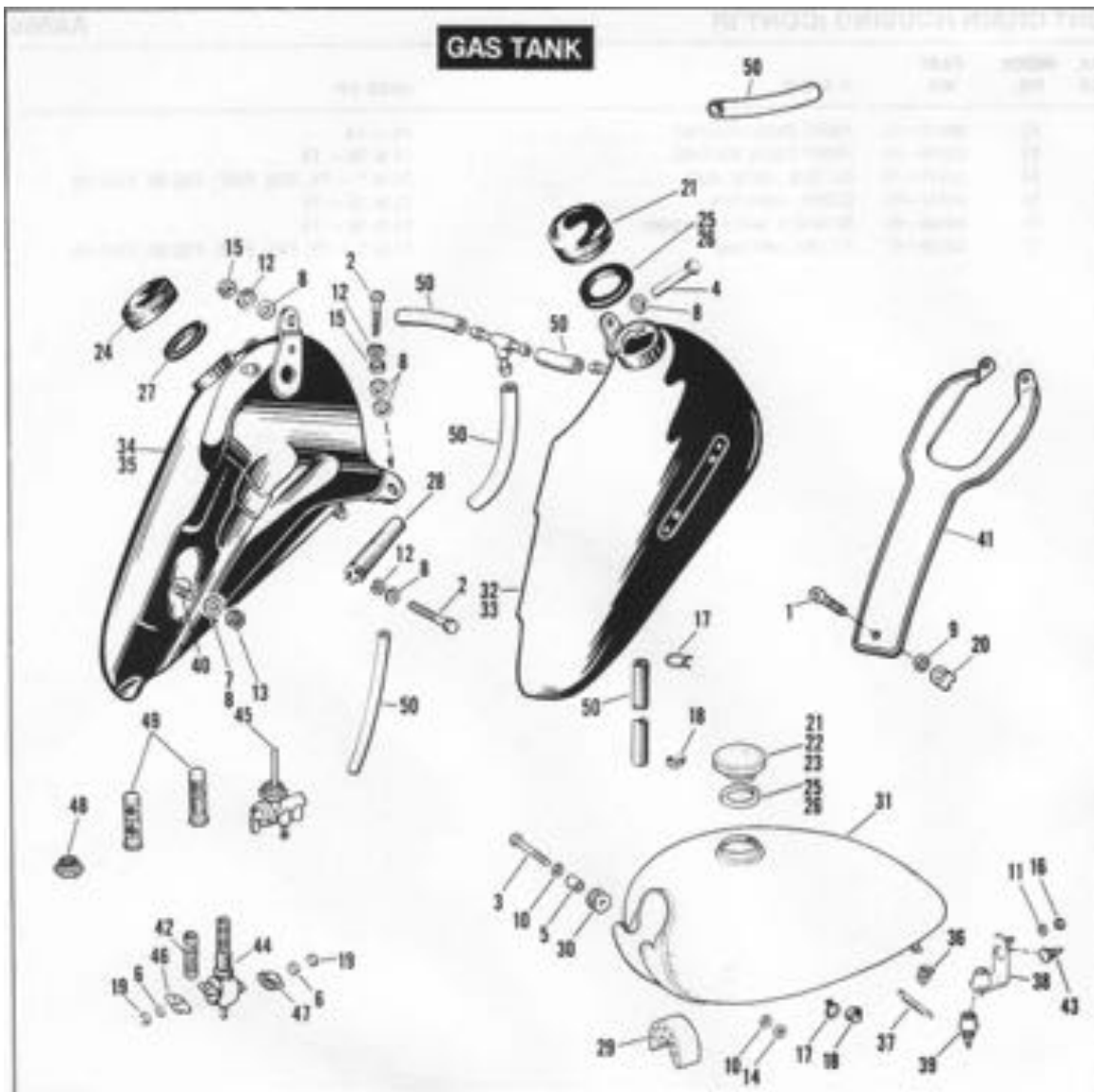


RETAIL PRICE	INDEX NO.	PART NO.	N A M E	USED ON
	52	60619-73	FRONT CHAIN HOUSING	73 - FX
	53	60619-74	FRONT CHAIN HOUSING	74 to 78 - FX
	54	60641-74	OIL SEAL, shifter shaft	74 to * - FX, FXS, FXEF, FXS-80, FXEF-80
	55	60644-65	COVER, switch hole	73 to 78 - FX
	56	60646-65	RETAINER, switch hole cover	73 to 78 - FX
	57	63533-41	FITTING, vent hose	71 to * - FX, FXS, FXEF, FXS-80, FXEF-80



NOTE: Asterisk (*) indicates part is used for latest model year shown on cover.

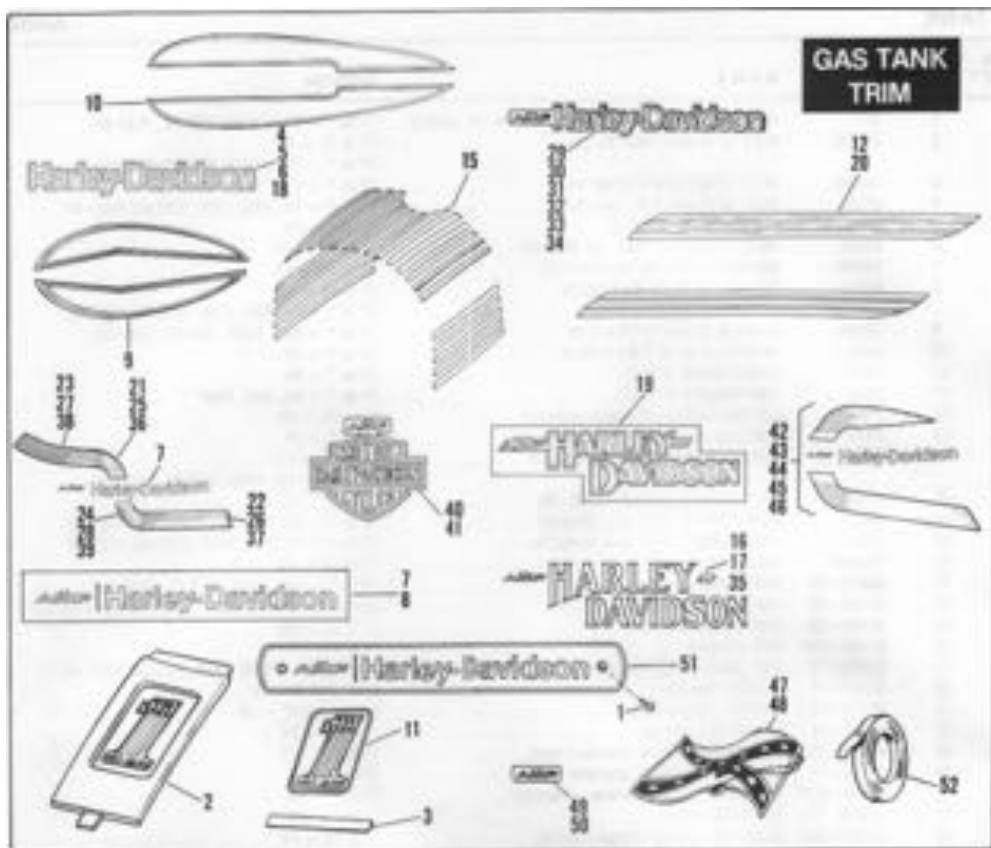
GAS TANK



RETAIL PRICE	INDEX NO.	PART NO.	NAME	USED ON
	1	903	SCREW, 1/4-20 x 1-1/4 Posidriv oval disk, hd. (black)	77 to * - FXS, FXEF, FXS-80, FXEF-80
	2	3660W	BOLT, 5/16-24 x 1 hex. hd. (3)	71 & 72 - FX
	3	4083W	BOLT, 5/16-24 x 3-3/4 hex. hd.	77 to * - FXS, FXEF, FXS-80, FXEF-80
	4	4725	BOLT, 5/16-24 x 2-3/4 hex. hd.	73 to * - FX
	5	5988	SPACER, tank - front (2)	71 to * - FX, FXS, FXEF, FXS-80, FXEF-80
	6	6160P	THRUST WASHER, 5mm. (as required)	73 to * - FX
	7	6324W	WASHER, 5/16 x 11/16 x 3/32 (2)	71 to 74 - FX
	8	6327B	WASHER, 5/16 x 3/4 x 1/16 (5)	71 & 72 - FX;
	9	6332B	WASHER, 5/16 x 15/16 x 1/16	77 to * - FX, FXS, FXEF, FXS-80, FXEF-80
	10	6804	WASHER, 1/2 x 1-1/8 x 1/16 (4)	77 to * - FXS, FXEF, FXS-80, FXEF-80
	11	7038	LOCKWASHER, 3/8 (2)	73 to * - FX
	12	7041	LOCKWASHER, 5/16 (2)	73 to * - FX
	13	7127	LOCKWASHER, 5/16 internal tooth (2)	71 to * - FX, FXS, FXEF
	14	7727	LOCKNUT, 5/16-24 x 1/4 x 1/2 hex.	Early 71 - FX
	15	7753	NUT, 5/16-24 x 17/64 x 1/2 hex. (4)	73 to * - FX
	16	7783	NUT, 3/8-16 x 5/16 x 9/16 hex. (2)	71 & 72 - FX;
	17	9993	WIRE CLAMP (1/2 in. o.d. hose) (5)	77 to * - FXS, FXEF, FXS-80, FXEF-80
	18	10014	BAND CLAMP (1/2 in. o.d. hose) (2)	73 to * - FX
	19	11040P	LOCK RING (2)	71 to * - FX, FXS, FXEF, FXS-80, FXEF-80
	20	60975-78	MOUNTING, gas tank trim	71 to 74 - FX
	21	61102-73	CAP, gas tank (vented)	78 to * - FXS, FXEF, FXS-80, FXEF-80
	22	61103-36	CAP, gas tank (vented)	Late 73 to * - FX, FXS, FXEF, FXS-80, FXEF-80
	23	61103-72P	CAP, gas tank	71 & 72 - FX
	24	61103-73	CAP, gas tank (not vented)	Early 73 - FX
	25	61111-77	GASKET, tank cap	Late 73 to * - FXS, FXEF, FXS-80, FXEF-80
	26	61114-48	GASKET, right tank cap	Late 77 to * - FX
	27	61116-65	GASKET, left tank cap	71 to Early 77 - FX
	28	61122-39	FILLER STRIP, rubber (standard seat)	71 & 72 - FX
	29	61139-73	MOUNTING CUSHION, gas tank - front	71 & 72 - FX
	30	61152-65P	RUBBER BUSHING, gas tank - front (2)	73 to * - FX
	31	61214-73A	GAS TANK (prime)	73 to * - FX
	32	61217-69A	GAS TANK, right (3-1/2 gal.) (prime)	71 & 72 - FX
	33	61218-67A	GAS TANK, right (3-1/2 gal.) (prime)	77 to * - FXS, FXEF, FXS-80, FXEF-80
	34	61230-69A	GAS TANK, left (3-1/2 gal.) (prime)	71 & 72 - FX
	35	61426-67A	GAS TANK, left (3-1/2 gal.) (prime)	77 to * - FXS, FXEF, FXS-80, FXEF-80
	36	61546-74	PLATE, gas tank mounting spring (2)	74 to * - FX
	37	61550-73A	SPRING, gas tank (For 1973 also order (2) 61546-74)	73 to * - FX
	38	61558-73	MOUNTING BRACKET, gas tank - rear (2)	73 to * - FX
	39	61562-66	RUBBER MOUNT, gas tank	73 to * - FX
	40	61605-36	REAR MOUNTING STUD (2)	71 & 72 - FX
	41	61647-77	PANEL, center - gas tank (black)	77 to * - FXS, FXEF, FXS-80, FXEF-80
	42	62096-69	FILTER SCREEN, fuel valve (Nylon)	71 to 74 - FX
	43	62123-66	RUBBER BUMPER, gas tank (2)	73 to * - FX
	44	62125-55B	FUEL VALVE ASSEMBLY	71 to 74 - FX
	45	62129-75	FUEL VALVE, without filter or nut	75 to * - FX, FXS, FXEF, FXS-80, FXEF-80
	46	62141-69P	KNOB, fuel valve	71 to 74 - FX
	47	62142-69P	KNOB, fuel valve (reserve)	71 to 74 - FX
	48	62161-75	NUT, fuel valve	75 to * - FX, FXS, FXEF, FXS-80, FXEF-80
	49	62162-75	FILTER, fuel valve	75 to * - FX, FXS, FXEF, FXS-80, FXEF-80
	50	63501-68	HOSE, 1/4 I.D. x 1/2 O.D. fabric reinforced rubber, 25 ft. lg.	71 to * - FX, FXS, FXEF, FXS-80, FXEF-80

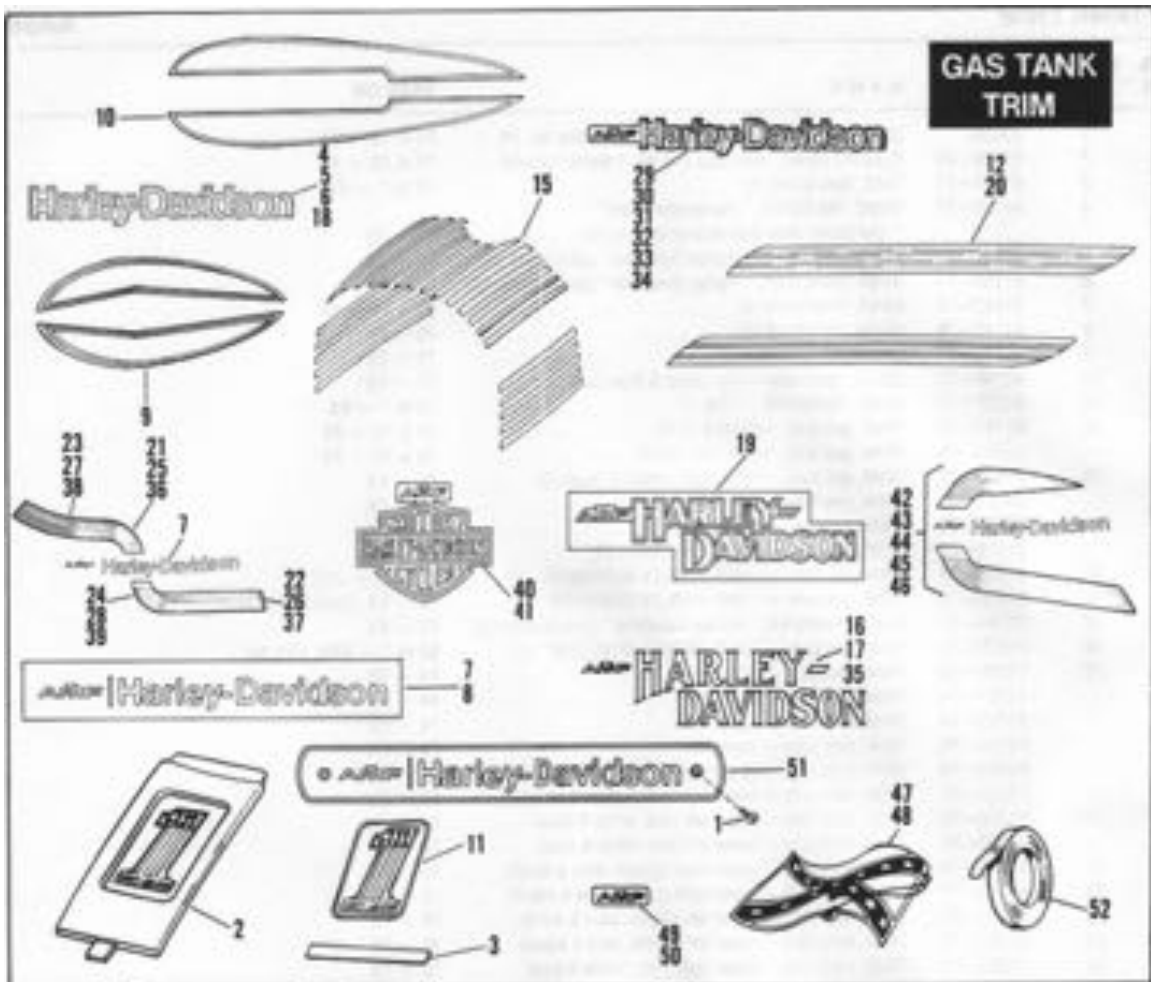
NOTE: Hoses will be sold only in bulk length under Part No. 63501-68. Cut correct lengths from this hose.

NOTE: Asterisk (*) indicates part is used for latest model year shown on cover.



RETAIL PRICE	INDEX NO.	PART NO.	NAME	USED ON
	1	2061W	SCREW, nameplate, No. 4-40 x 3/16 Phillips hd. (4)	71 & 72 - FX
	2	61125-72	PLASTIC PANEL, with tape and No. 1 Name Transfer	71 & 72 - FX
	3	61127-71	TAPE, tank panel (2)	71 to * - FX
	4	61131-77	NAME TRANSFER, "Harley-Davidson" (for tanks other than blue or brown) (2)	77 - FX
	5	61134-77	NAME TRANSFER, "Harley-Davidson" (blue tank) (2)	77 - FX
	6	61136-77	NAME TRANSFER, "Harley-Davidson" (brown tank) (2)	77 - FX
	7	61142-72	NAME TRANSFER (2)	73 & 74 - FX
	8	61142-76	NAME TRANSFER (2)	76 - FX
	9	61145-71	DECAL, bottom left - black	71 - FX
	10	61146-72	DECAL, tank side - red, white & blue (left)	72 - FX
	11	61157-72	NAME TRANSFER - "No. 1"	72 to * - FX
	12	61161-74	TRIM, gas tank - top (FX 1200)	74 & 75 - FX
		61163-74	TRIM, gas tank - top (FXE 1200)	74 & 75 - FX
	15	61170-73	TRIM, gas tank - left & right (white & blue) (2)	73 - FX
		61171-73	TRIM, gas tank - top (red)	73 - FX
		61178-73	TRIM, gas tank - top (silver)	73 - FX
		61179-73	TRIM, gas tank - left & right (silver) (2)	73 - FX
	16	61205-77	TRIM, gas tank - "AMF HARLEY-DAVIDSON" (2)	77 & 78 - FXS
	17	61236-78	TRIM, gas tank - "AMF HARLEY-DAVIDSON" (2)	79 - FX, FXEF, FXEF-80
	18	61241-77	NAME TRANSFER, "Harley-Davidson" (green tank) (2)	77 - FX
	19	61249-79	TRIM, gas tank - "AMF HARLEY-DAVIDSON" (2)	80 to * - FXS, FXS-80
	20	61260-74	TRIM, tank side - upper right	74 - FX
		61261-74	TRIM, tank side - lower right	74 - FX
		61262-74	TRIM, tank side - upper left	74 - FX
		61263-74	TRIM, tank side - lower left	74 - FX
		61264-74	TRIM, tank side - upper right (red, white & blue)	74 - FX
		61265-74	TRIM, tank side - lower right (red, white & blue)	74 - FX
		61266-74	TRIM, tank side - upper left (red, white & blue)	74 - FX
		61267-74	TRIM, tank side - lower left (red, white & blue)	74 - FX
	21	61260-75	TRIM, tank side - upper right (green, blue & black)	75 - FX
	22	61261-75	TRIM, tank side - lower right (green, blue & black)	75 - FX
	23	61262-75	TRIM, tank side - upper left (green, blue & black)	75 - FX
	24	61263-75	TRIM, tank side - lower left (green, blue & black)	75 - FX
	25	61264-75	TRIM, tank side - upper right (red, white & blue)	75 - FX
	26	61265-75	TRIM, tank side - lower right (red, white & blue)	75 - FX
	27	61266-75	TRIM, tank side - upper left (red, white & blue)	75 - FX
	28	61267-75	TRIM, tank side - lower left (red, white & blue)	75 - FX
	29	61348-78	NAMEPLATE, red - left	78 - FX
	30	61349-78	NAMEPLATE, blue - left	78 - FX
	31	61350-78	NAMEPLATE, brown - left	78 - FX
	32	61352-78	NAMEPLATE, red - right	78 - FX
	33	61353-78	NAMEPLATE, blue - right	78 - FX
	34	61354-78	NAMEPLATE, brown - right	78 - FX
	35	61368-79	TRIM, gas tank - "AMF HARLEY-DAVIDSON" (2)	79 - FXS, FXS-80

NOTE: Asterisk (*) indicates part is used for latest model year shown on cover.



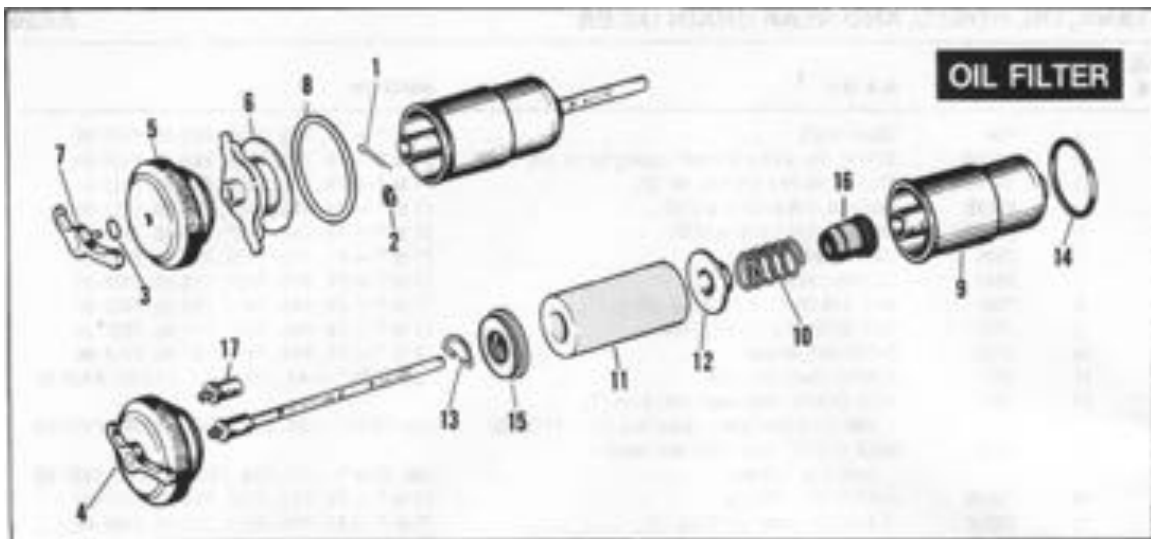
RETAIL PRICE	INDEX NO.	PART NO.	NAME	USED ON
	36	61374-75	TRIM, tank side — upper right (brown, pink & purple)	75 — FX
	37	61375-75	TRIM, tank side — lower right (brown, pink & purple)	75 — FX
	38	61376-75	TRIM, tank side — upper left (brown, pink & purple)	75 — FX
	39	61377-75	TRIM, tank side — lower left (brown, pink & purple)	75 — FX
	40	61405-80	TRIM, gas tank — "AMF HARLEY-DAVIDSON MOTOR CYCLES" (gold & black) (2)	80 to * — FX, FXEF, FXEF-80
	41	61406-80	TRIM, gas tank — "AMF HARLEY-DAVIDSON MOTOR CYCLES" (silver & black) (2)	80 to * — FX, FXEF, FXEF-80
	42	61491-76	TRIM KIT, gas tank (black)	76 — FX
	43	61492-76	TRIM KIT, gas tank (blue)	76 — FX
	44	61493-76	TRIM KIT, gas tank (red)	76 — FX
	45	61494-76	TRIM KIT, gas tank (brown)	76 — FX
	46	61495-76	TRIM KIT, gas tank (orange)	76 — FX
	47	61650-77	"CONFEDERATE EDITION" TRIM, right	77 — FX
	48	61651-77	"CONFEDERATE EDITION" TRIM, left	77 — FX
	49	61745-77	NAME TRANSFER, "AMF" (all but red tank) (2)	77 — FX
	50	61746-77	NAME TRANSFER, "AMF" (red tank) (2)	77 — FX
	51	61771-72	NAMEPLATE, silver (1976 & later 3-1/2 gal. tank only) (2)	72 to 75 — FX
	52	61795-68	WHITE STRIPING TAPE (50 yd. roll)	71 to * — FX
		61829-76	DECAL KIT, gas tank — "Liberty Edition"	76 — FX

NOTE: Asterisk (*) indicates part is used for latest model year shown on cover.



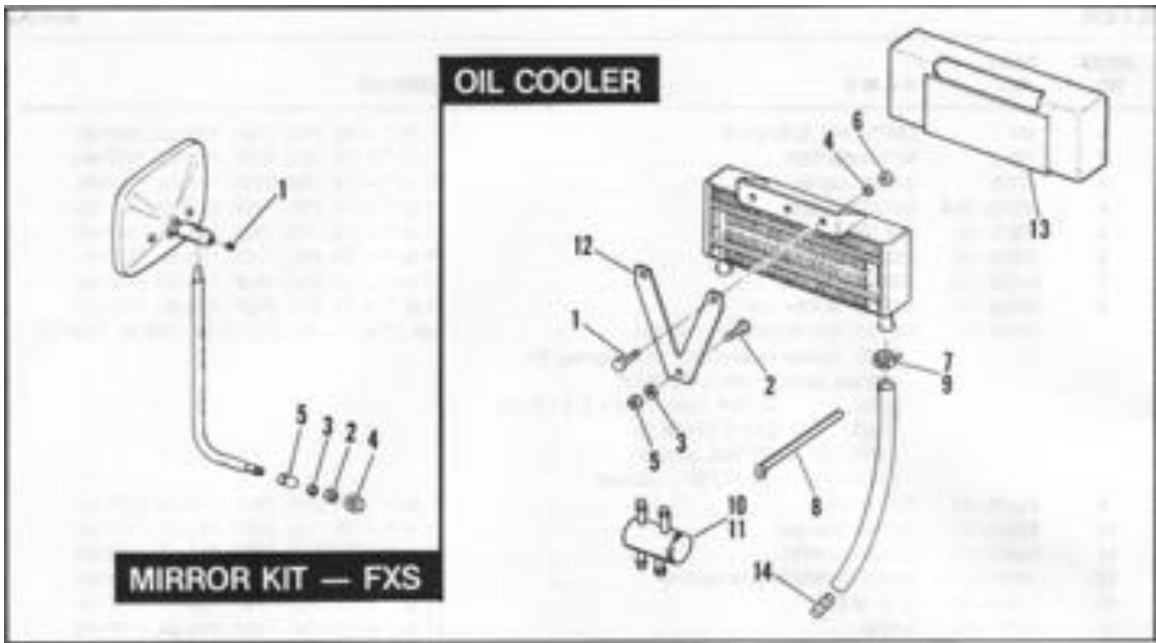
RETAIL PRICE	INDEX NO.	PART NO.	NAME	USED ON
	1	704	DRAIN PLUG	71 to * — FX, FXS, FXEF, FXS-80, FXEF-80
	2	2073W	SCREW, No. 4-24 x 1/4 self-tapping flat hd. (2)	71 to * — FX, FXS, FXEF, FXS-80, FXEF-80
	3	3974HW	BOLT, 5/16-24 x 3/4 hex. hd. (2)	71 to * — FX, FXS, FXEF, FXS-80, FXEF-80
	4	6700B	WASHER, 5/8 x 13/16 x 1/32	71 to * — FX, FXS, FXEF, FXS-80, FXEF-80
	5	6242W	WASHER, 1/4 x 9/16 x 1/32	71 to * — FX, FXS, FXEF, FXS-80, FXEF-80
	6	7036	LOCKWASHER, 1/4	71 to * — FX, FXS, FXEF, FXS-80, FXEF-80
	7	7041	LOCKWASHER, 5/16	71 to * — FX, FXS, FXEF, FXS-80, FXEF-80
	8	7688	NUT, 1/4-20 x 1/4 x 1/2 hex. (2)	71 to * — FX, FXS, FXEF, FXS-80, FXEF-80
	9	7753	NUT, 5/16-24 x 1/4 x 1/2 hex.	71 to * — FX, FXS, FXEF, FXS-80, FXEF-80
	10	8126	SPEED NUT, oil cap	71 to * — FX, FXS, FXEF, FXS-80, FXEF-80
	11	9951	CLAMP, chain oiler hose	Late 78 to * — FX, FXS, FXEF, FXS-80, FXEF-80
	12	9992	HOSE CLAMP, rear chain oiler hose (1); front chain oiler hose — lower end (1) — 11/32 dia.	Late 79 to * — FX, FXS, FXEF, FXS-80, FXEF-80
	13	9996	HOSE CLAMP, front chain oiler hose — upper end, 3/8 dia.	Late 79 to * — FX, FXS, FXEF, FXS-80, FXEF-80
	14	10006	HOSE STRAP, oil hose	71 to * — FX, FXS, FXEF, FXS-80, FXEF-80
	15	10014	CLAMP, oil hoses — 1/2 dia. (2)	71 to * — FX, FXS, FXEF, FXS-80, FXEF-80
	16	10020	CLAMP, oil hoses — 11/16 dia. (13)	71 to * — FX, FXS, FXEF, FXS-80, FXEF-80
	17	24920-67	CLAMP, rear chain oiler hose	71 to Early 77 — FX
	18	24921-77	CLAMP, rear chain oiler hose	Late 77 to Early 78 — FX, FXS
	19	60549-70	CHAIN OILER FITTING, chain housing	71 to * — FX, FXS, FXEF, FXS-80, FXEF-80
	20	60554-65	HOSE, front chain oiler	71 to * — FX, FXS, FXEF, FXS-80, FXEF-80
	21	62504-65B	OIL TANK	71 to * — FX, FXS, FXEF, FXS-80, FXEF-80
	22	62534-65	EDGING, oil tank (without "H" decal)	71 to * — FX, FXS, FXEF, FXS-80, FXEF-80
	23	62563-65	RUBBER MOUNT (2)	71 to * — FX, FXS, FXEF, FXS-80, FXEF-80
	24	62576-65A	BRACKET, oil tank mounting	71 to Early 79 — FX, FXS
	25	62576-79	BRACKET, oil tank mounting	Late 79 to * — FX, FXS, FXEF, FXS-80, FXEF-80
	26	62625-70	FILLER CAP, with dipstick	71 to * — FX, FXS, FXEF, FXS-80, FXEF-80
	28	63533-41	FITTING, feed and oiler return hoses (2)	71 to * — FX, FXS, FXEF, FXS-80, FXEF-80
	29	63541-70	TEE, rear chain oiler	71 to Early 78 — FX, FXS
	30	63549-65	BRACKET, oil hose	71 to * — FX, FXS, FXEF, FXS-80, FXEF-80
	31	63578-52	FITTING, vent hose	71 to * — FX, FXS, FXEF, FXS-80, FXEF-80
	32	63580-66A	TEE, vent hose	71 to * — FX, FXS, FXEF, FXS-80, FXEF-80
	33	63589-78	HOSE, rear chain oiler — 3/16 I.D. x 5/16 O.D. x 21 long.	Late 78 to * — FX, FXS, FXEF, FXS-80, FXEF-80
	34	63592-68	HOSE, rear chain oiler	71 to Early 78 — FX, FXS
	35	66042-79	DECAL, oil tank — "WARNING"	79 to * — FX, FXS, FXEF, FXS-80, FXEF-80
			NOTE: Hoses will be sold only in bulk lengths under Part Nos. 63500-68 and 63501-68. Cut correct lengths from these hoses.	
	36	63500-68	HOSE, 3/8 I.D. x 5/8 O.D., fabric reinforced rubber, 25 ft. lg.	71 to * — FX, FXS, FXEF, FXS-80, FXEF-80
	37	63501-68	HOSE, 1/4 I.D. x 1/2 O.D., fabric reinforced rubber, 25 ft. lg.	71 to * — FX, FXS, FXEF, FXS-80, FXEF-80

NOTE: Asterisk (*) indicates part is used for latest model year shown on cover.



RETAIL PRICE	INDEX NO.	PART NO.	N A M E	USED ON
	1	534	COITER PIN, 3/32 x 5/8	71 to * — FX, FXS, FXEF, FXS-80, FXEF-80
	2	11012	RETAINING RING	71 to * — FX, FXS, FXEF, FXS-80, FXEF-80
	3	11105	O-RING, cap top	71 to * — FX, FXS, FXEF, FXS-80, FXEF-80
	4	62610—52A	CAP ASSEMBLY	71 to * — FX, FXS, FXEF, FXS-80, FXEF-80
	5	62611—66	CAP TOP	71 to * — FX, FXS, FXEF, FXS-80, FXEF-80
	6	62612—66	LOCKING NUT, filter cap	71 to * — FX, FXS, FXEF, FXS-80, FXEF-80
	7	62620—66	SCREW, filter cap	71 to * — FX, FXS, FXEF, FXS-80, FXEF-80
	8	62628—66	GASKET, oil filter cap	71 to * — FX, FXS, FXEF, FXS-80, FXEF-80
		63794—77	OIL FILTER CONVERSION — chrome	Late 77 to * — FX, FXS, FXEF, FXS-80, FXEF-80
			NOTE: Cannot be used with front Highway Bar. Includes besides hose and bracket:	
		9946	CLAMP, hose, 7/32 x 5/8 I.D. (4)	
		10006	CABLE STRAP (3)	
		63792—77	FITTING, oil hose	
		63796—77	OIL FILTER — chrome	
	9	63826—53	CUP, oil filter	71 to * — FX, FXS, FXEF, FXS-80, FXEF-80
	10	63831—67	SPRING, filter cup	71 to * — FX, FXS, FXEF, FXS-80, FXEF-80
	11	63840—53	FILTER ELEMENT	71 to * — FX, FXS, FXEF, FXS-80, FXEF-80
	12	63846—67	LOWER RETAINER, filter element	71 to * — FX, FXS, FXEF, FXS-80, FXEF-80
	13	63878—53	CLIP, oil filter	71 to * — FX, FXS, FXEF, FXS-80, FXEF-80
	14	63879—53	O-RING	71 to * — FX, FXS, FXEF, FXS-80, FXEF-80
	15	63881—67	UPPER SEAL, oil filter	71 to * — FX, FXS, FXEF, FXS-80, FXEF-80
	16	63882—67	LOWER SEAL, oil filter	71 to * — FX, FXS, FXEF, FXS-80, FXEF-80
	17	63885—70	VALVE, less gage rod	71 to * — FX, FXS, FXEF, FXS-80, FXEF-80

NOTE: Asterisk (*) indicates part is used for latest model year shown on cover.



RETAIL PRICE	INDEX NO.	PART NO.	NAME	USED ON
	1	3953W	BOLT, 5/16-24 x 1/2 hex. hd. (2)	77 to * — FX, FXS, FXEF, FXS-80, FXEF-80
	2	3996	BOLT, 5/16-24 x 7/8 hex. hd.	77 to * — FX, FXS, FXEF, FXS-80, FXEF-80
	3	6702	WASHER, 5/16 x 11/16 x 1/16	77 to * — FX, FXS, FXEF, FXS-80, FXEF-80
	4	7041	LOCKWASHER, 5/16 (2)	77 to * — FX, FXS, FXEF, FXS-80, FXEF-80
	5	7725	LOCKNUT, 5/16-24 x 11/32 x 1/2 hex.	77 to * — FX, FXS, FXEF, FXS-80, FXEF-80
	6	7753	NUT, 5/16-24 x 1/4 x 1/2 hex. (2)	77 to * — FX, FXS, FXEF, FXS-80, FXEF-80
	7	9946	CLAMP, oil hose (5)	77 to * — FX, FXS, FXEF, FXS-80, FXEF-80
	8	10006	STRAP, oil hose (6)	77 to * — FX, FXS, FXEF, FXS-80, FXEF-80
	9	10020	CLAMP, oil hoses — 11/16 dia. (2)	77 to * — FX, FXS, FXEF, FXS-80, FXEF-80
	10	26248—78	THERMOSTATIC BYPASS VALVE, oil cooler (chrome)	77 to * — FX, FXS, FXEF, FXS-80, FXEF-80
			Includes besides valve:	
		9946	CLAMP, oil hose (4)	
		10006	CABLE STRAP (4)	
	11	26251—78	THERMOSTATIC BYPASS VALVE, oil cooler (black)	77 to * — FX, FXS, FXEF, FXS-80, FXEF-80
			Includes besides valve:	
		9946	CLAMP, oil hose (4)	
		10006	CABLE STRAP (4)	
		62571—77	OIL COOLER KIT — black	77 to * — FX, FXS, FXEF, FXS-80, FXEF-80
	12	62574—77	MOUNTING BRACKET, oil cooler	77 to * — FX, FXS, FXEF, FXS-80, FXEF-80
		62577—77	OIL COOLER KIT — chrome	77 to * — FX, FXS, FXEF, FXS-80, FXEF-80
	13	62578—77	COVER, oil cooler	77 to * — FX, FXS, FXEF, FXS-80, FXEF-80
	14	63792—77	FITTING, oil hose	77 to * — FX, FXS, FXEF, FXS-80, FXEF-80

MIRROR KIT — FXS

	91678—77	MIRROR KIT, rectangular (black)	77 to * — FXS
		Includes besides mirror:	
1	3233	SET SCREW, mirror head, 1/4-28 x 1/8 socket hd.	
2	6702	WASHER, mirror mounting, 5/16 x 11/16 x 1/16 (2)	
3	7041	LOCKWASHER, mirror mounting, 5/16	
4	7736	ACORN NUT, mirror mounting, 5/16-24 x 19/32 x 9/16 hex.	
5	47311—77	SPACER (left mirror only)	

NOTE: Asterisk (*) indicates part is used for latest model year shown on cover.

EXHAUST SYSTEM — COLLECTOR

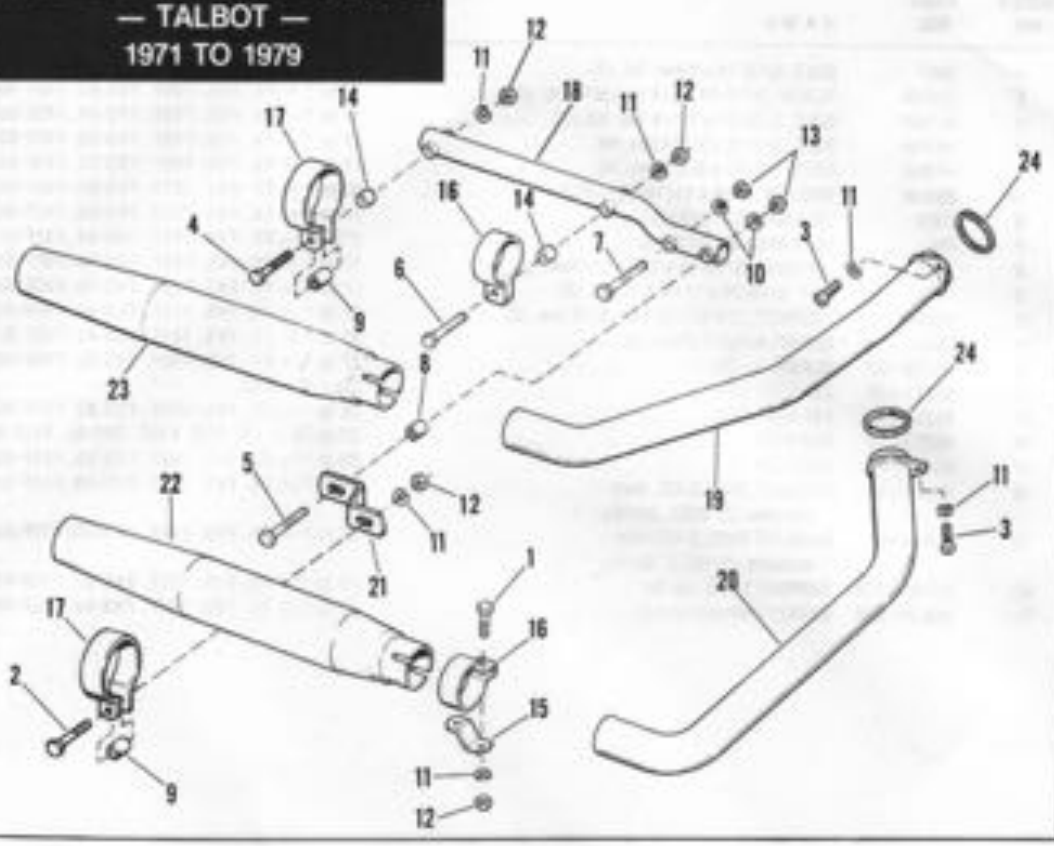
AA62

RETAIL PRICE	INDEX NO.	PART NO.	NAME	USED ON
	1	2967	BOLT, 5/16-18 x 2 hex. hd. (2)	77 to * — FX, FXS, FXEF, FXS-80, FXEF-80
	2	3201W	SCREW, 5/16-18 x 3/4 socket fl. hd. (2)	77 to * — FX, FXS, FXEF, FXS-80, FXEF-80
	3	4014W	BOLT, 5/16-24 x 1-1/4 hex. hd. (2)	77 to * — FX, FXS, FXEF, FXS-80, FXEF-80
	4	4434W	BOLT, 3/8-16 x 3-1/4 hex. hd.	77 to * — FX, FXS, FXEF, FXS-80, FXEF-80
	5	4435W	BOLT, 3/8-24 x 3-1/2 hex. hd.	77 to * — FX, FXS, FXEF, FXS-80, FXEF-80
	5A	6324W	WASHER, 5/16 x 11/16 x 3/32 (2)	80 to * — FX, FXS, FXEF, FXS-80, FXEF-80
	6	7038	LOCKWASHER, 3/8 (2)	77 to * — FX, FXS, FXEF, FXS-80, FXEF-80
	7	7041	LOCKWASHER, 5/16 (4)	77 to * — FX, FXS, FXEF, FXS-80, FXEF-80
	8	7740	LOCKNUT, 5/16-18 x 1/4 x 1/2 hex. (2)	77 to * — FX, FXS, FXEF, FXS-80, FXEF-80
	9	7753	NUT, 5/16-24 x 1/4 x 1/2 hex. (2)	77 to * — FX, FXS, FXEF, FXS-80, FXEF-80
	10	7800W	LOCKNUT, 3/8-24 x 5/16 x 9/16 hex. (2)	77 to * — FX, FXS, FXEF, FXS-80, FXEF-80
	11	9955	CLAMP, exhaust shield (4)	80 to * — FX, FXS, FXEF, FXS-80, FXEF-80
	13	65276—62	CLAMP, muffler (2)	77 to * — FX, FXS, FXEF, FXS-80, FXEF-80
	14	65311—77	EXHAUST PIPE	77 — FX, FXS
	15	65311—78	EXHAUST PIPE	78 to * — FX, FXS, FXEF, FXS-80, FXEF-80
	16	65353—78	MUFFLER	77 to 78 — FX, FXS, FXEF, FXS-80, FXEF-80
	17	65430—80	MUFFLER	80 to * — FX, FXS, FXEF, FXS-80, FXEF-80
	18	65608—80	EXHAUST SHIELD KIT, front — Includes (2) 9955, clamps	80 to * — FX, FXS, FXEF, FXS-80, FXEF-80
	19	65609—80	EXHAUST SHIELD KIT, rear — Includes (2) 9955, clamps	80 to * — FX, FXS, FXEF, FXS-80, FXEF-80
	20	65760—77A	SUPPORT TUBE, muffler	77 to * — FX, FXS, FXEF, FXS-80, FXEF-80
	21	65834—68A	GASKET, exhaust port (2)	77 to * — FX, FXS, FXEF, FXS-80, FXEF-80

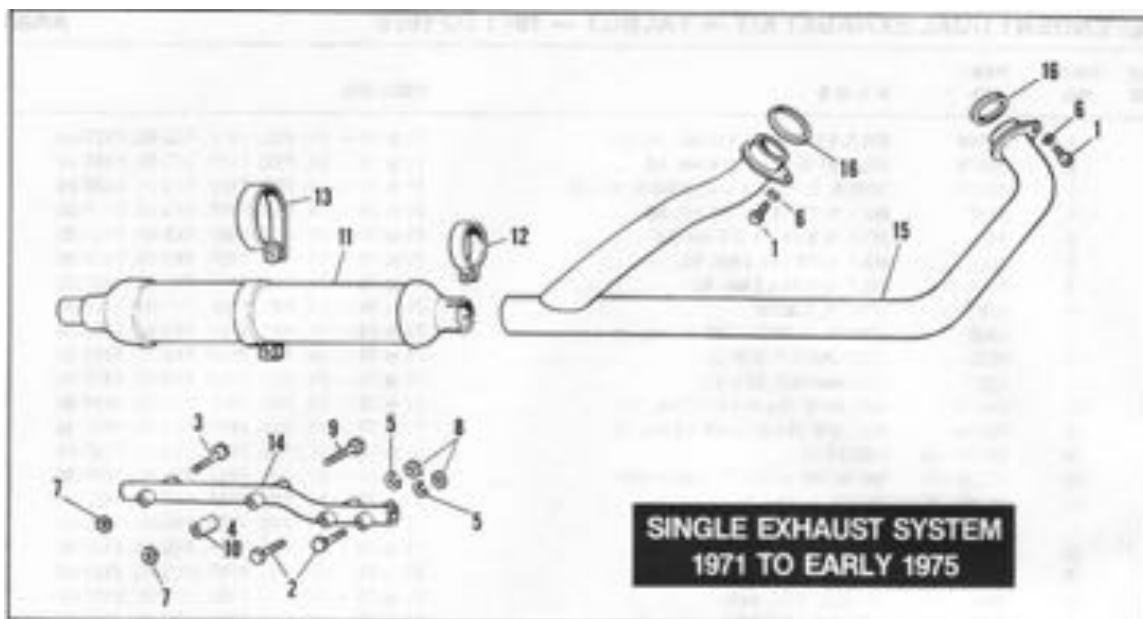
NOTE: Asterisk (*) indicates part is used for latest model year shown on cover.

169

**INDEPENDENT DUAL EXHAUST
— TALBOT —
1971 TO 1979**

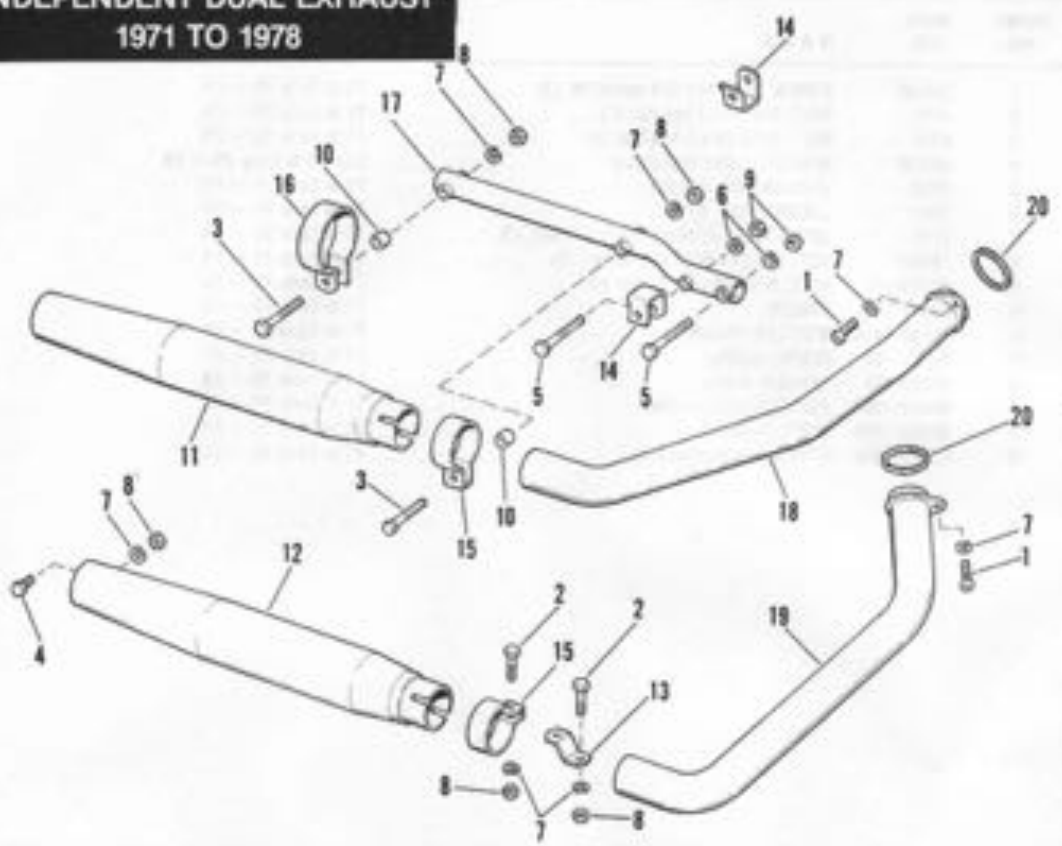


RETAIL PRICE	INDEX NO.	PART NO.	N A M E	USED ON
	1	2871W	BOLT, 5/16-18 x 1-1/4 hex. hd. (2)	71 to 79 — FX, FXS, FXEF, FXS-80, FXEF-80
	2	2887W	BOLT, 5/16-18 x 1-3/4 hex. hd.	71 to 79 — FX, FXS, FXEF, FXS-80, FXEF-80
	3	3201W	SCREW, 5/16-18 x 3/4 socket fl. hd. (2)	71 to 79 — FX, FXS, FXEF, FXS-80, FXEF-80
	4	3427	BOLT, 5/16-18 x 3-1/2 hex. hd.	71 to 79 — FX, FXS, FXEF, FXS-80, FXEF-80
	5	3455	BOLT, 3/8-24 x 3-3/4 hex. hd.	71 to 79 — FX, FXS, FXEF, FXS-80, FXEF-80
	6	4086	BOLT, 5/16-18 x 3 hex. hd.	71 to 79 — FX, FXS, FXEF, FXS-80, FXEF-80
	7	4415	BOLT, 3/8-24 x 3 hex. hd.	71 to 79 — FX, FXS, FXEF, FXS-80, FXEF-80
	8	5761	SPACER, bracket	71 to 79 — FX, FXS, FXEF, FXS-80, FXEF-80
	9	5940	SPACER, muffler — 3/4 in. long (2)	71 to 79 — FX, FXS, FXEF, FXS-80, FXEF-80
	10	7038	LOCKWASHER, 3/8 (2)	71 to 79 — FX, FXS, FXEF, FXS-80, FXEF-80
	11	7041	LOCKWASHER, 5/16 (7)	71 to 79 — FX, FXS, FXEF, FXS-80, FXEF-80
	12	7748W	NUT, 5/16-18 x 1/4 x 1/2 hex. (5)	71 to 79 — FX, FXS, FXEF, FXS-80, FXEF-80
	13	7800W	NUT, 3/8-24 x 5/16 x 9/16 hex. (2)	71 to 79 — FX, FXS, FXEF, FXS-80, FXEF-80
	14	58102-49	SPACER (2)	71 to 79 — FX, FXS, FXEF, FXS-80, FXEF-80
	15	65268-73	MOUNTING BRACKET, front muffler	71 to 79 — FX, FXS, FXEF, FXS-80, FXEF-80
	16	65276-62	CLAMP, muffler (2)	71 to 79 — FX, FXS, FXEF, FXS-80, FXEF-80
	17	65279-57	HANGER, muffler (2)	71 to 79 — FX, FXS, FXEF, FXS-80, FXEF-80
	18	65307-73	SUPPORT TUBE, muffler	71 to 79 — FX, FXS, FXEF, FXS-80, FXEF-80
	19	65464-73	EXHAUST PIPE, rear	71 to 79 — FX, FXS, FXEF, FXS-80, FXEF-80
	20	65498-73	EXHAUST PIPE, front	71 to 79 — FX, FXS, FXEF, FXS-80, FXEF-80
	21	65547-79	MOUNTING BRACKET, rear muffler	71 to 79 — FX, FXS, FXEF, FXS-80, FXEF-80
	22	65548-79	MUFFLER, front	71 to 79 — FX, FXS, FXEF, FXS-80, FXEF-80
	23	65553-79	MUFFLER, rear	71 to 79 — FX, FXS, FXEF, FXS-80, FXEF-80
		65554-79	INDEPENDENT DUAL EXHAUST KIT (Talbot)	71 to 79 — FX, FXS, FXEF, FXS-80, FXEF-80
	24	65834-68A	GASKET, exhaust port (7)	71 to 79 — FX, FXS, FXEF, FXS-80, FXEF-80



RETAIL PRICE	INDEX NO.	PART NO.	N A M E	USED ON
	1	3201W	SCREW, 5/16-18 x 3/4 socket hd. (2)	71 to Early 75 — FX
	2	4415	BOLT, 3/8-24 x 3 hex. hd. (2)	71 to Early 75 — FX
	3	4710	BOLT, 5/16-24 x 2-1/4 hex. hd.	71 to Early 75 — FX
	4	5982W	SPACER, muffler front clamp	Late 72 to Early 75 — FX
	5	7038	LOCKWASHER, 3/8 (2)	71 to Early 75 — FX
	6	7041	LOCKWASHER, 5/16	71 to Early 75 — FX
	7	7725	LOCKNUT, 5/16-24 x 11/32 x 1/2 hex. (2)	71 to Early 75 — FX
	8	7800W	NUT, 3/8-24 x 5/16 x 9/16 hex. (2)	71 to Early 75 — FX
	9	30013-71	BOLT, 5/16-24 x 3-1/4 hex. hd.	71 to Early 75 — FX
	10	58102-49	SPACER	71 to Early 72 — FX
	11	65240-41A	MUFFLER, chrome	71 to Early 75 — FX
	12	65276-62	CLAMP, muffler	71 to Early 75 — FX
	13	65293-56	HANGER, muffler	71 to Early 75 — FX
	14	65318-58A	SUPPORT TUBE, muffler	71 to Early 75 — FX
	15	65463-71A	PIPE ASSEMBLY	71 to Early 75 — FX
	16	65834-68A	GASKET, exhaust port (2)	71 to Early 75 — FX

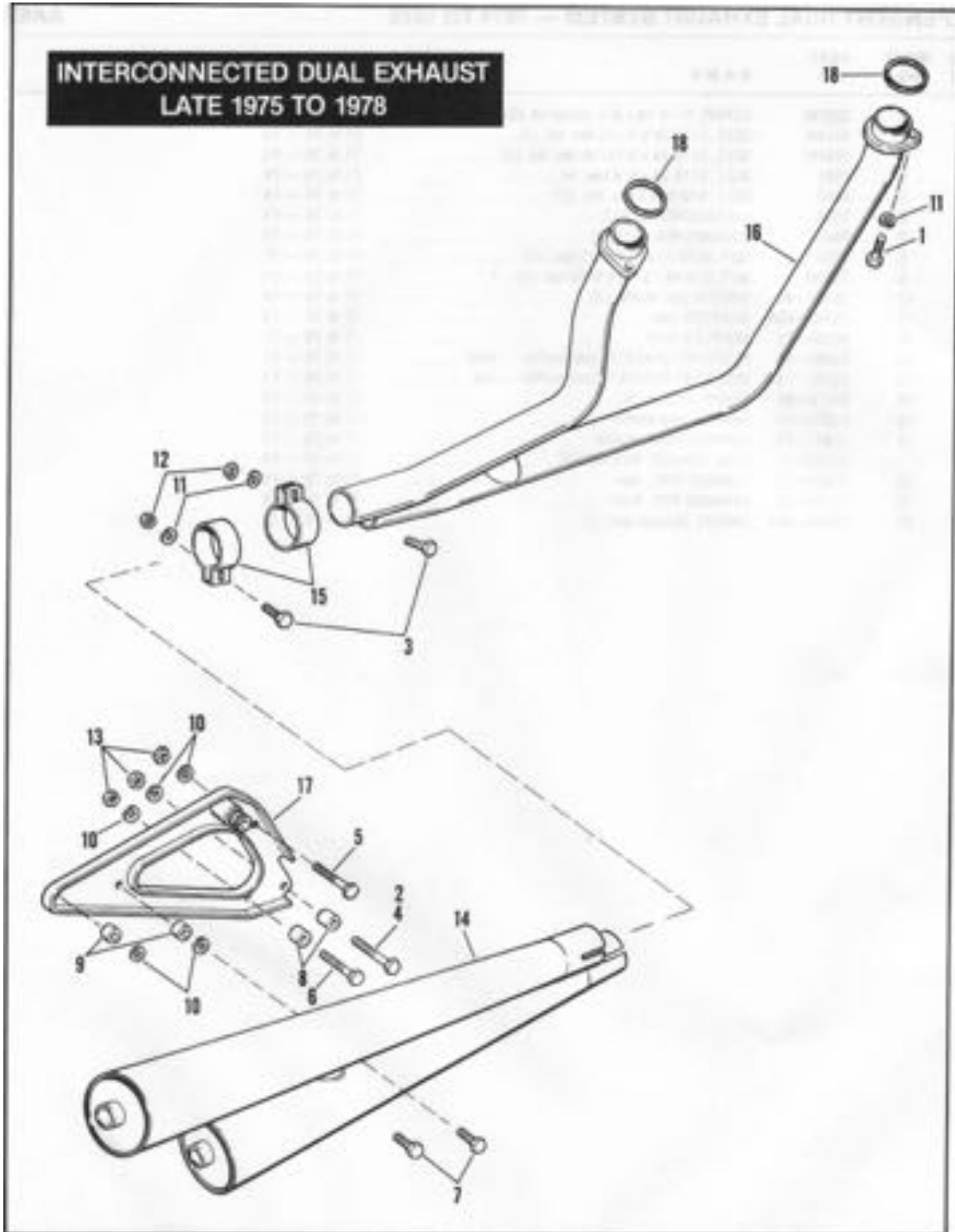
**INDEPENDENT DUAL EXHAUST
1971 TO 1978**



RETAIL PRICE	INDEX NO.	PART NO.	NAME	USED ON
	1	3201W	SCREW, 5/16-18 x 3/4 socket hd. (2)	71 to 78 — FX
	2	4014W	BOLT, 5/16-24 x 1-1/4 hex. hd. (2)	71 to 78 — FX
	3	4084W	BOLT, 5/16-24 x 2-15/16 hex. hd. (2)	71 to 78 — FX
	4	4391	BOLT, 5/16-24 x 5/8 hex. hd.	71 to 78 — FX
	5	4415	BOLT, 3/8-24 x 3 hex. hd. (2)	71 to 78 — FX
	6	7038	LOCKWASHER, 3/8 (2)	71 to 78 — FX
	7	7041	LOCKWASHER, 5/16 (7)	71 to 78 — FX
	8	7753	NUT, 5/16-24 x 1/4 x 1/2 hex. (5)	71 to 78 — FX
	9	7800W	NUT, 3/8-24 x 5/16 x 9/16 hex. (2)	71 to 78 — FX
	10	58102-49	SPACER, rear muffler (2)	71 to 78 — FX
	11	65230-65A	MUFFLER, rear	71 to 78 — FX
	12	65235-73	MUFFLER, front	71 to 78 — FX
	13	65268-73	MOUNTING BRACKET, front muffler — front	71 to 78 — FX
	14	65272-73	MOUNTING BRACKET, front muffler — rear	71 to 78 — FX
	15	65276-62	CLAMP, muffler (2)	71 to 78 — FX
	16	65279-57	HANGER, rear muffler	71 to 78 — FX
	17	65307-73	SUPPORT TUBE, muffler	71 to 78 — FX
		65400-73	DUAL EXHAUST SYSTEM KIT	71 to 78 — FX
	18	65464-73	EXHAUST PIPE, rear	71 to 78 — FX
	19	65498-73	EXHAUST PIPE, front	71 to 78 — FX
	20	65834-68A	GASKET, exhaust port (2)	71 to 78 — FX

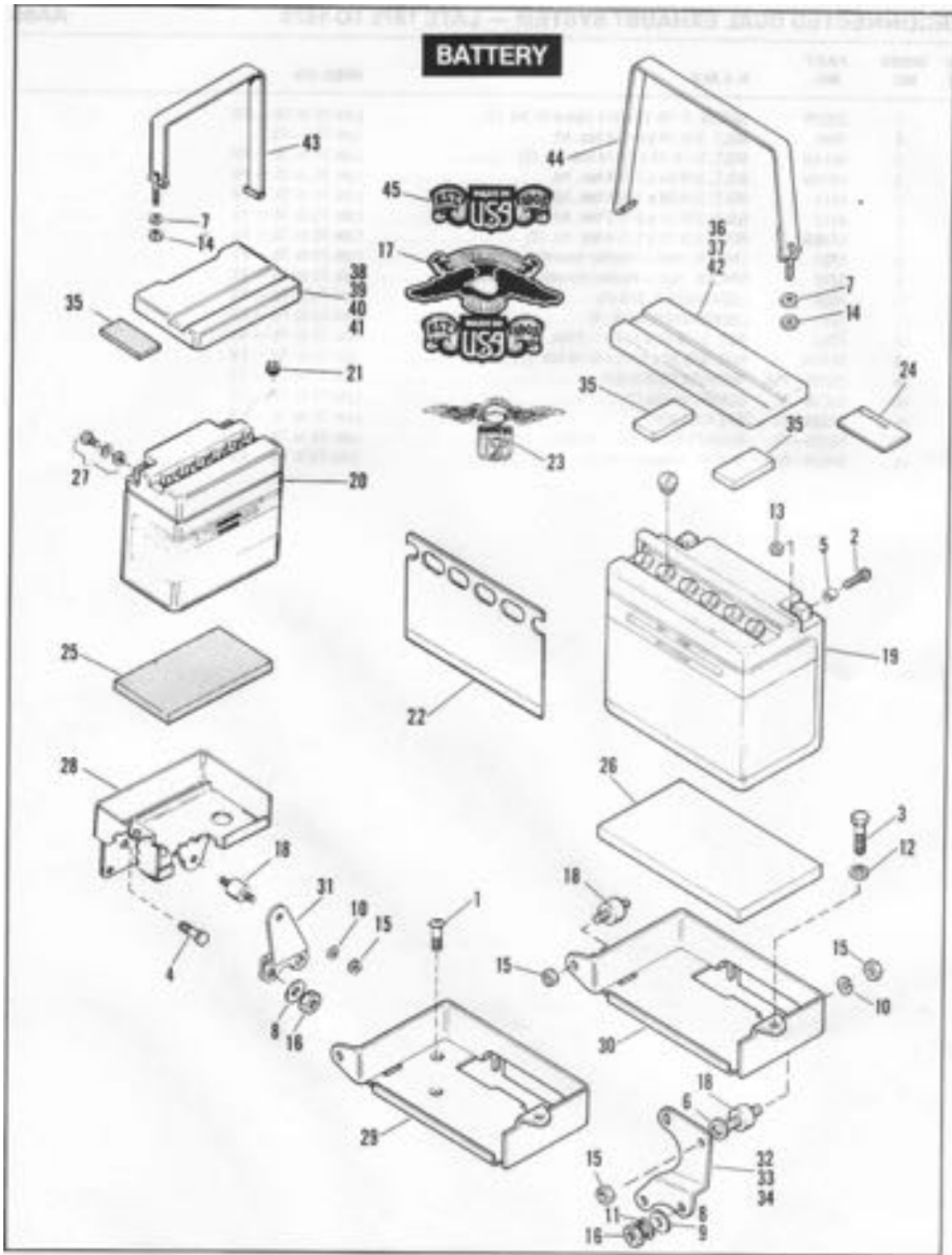


**INTERCONNECTED DUAL EXHAUST
LATE 1975 TO 1978**



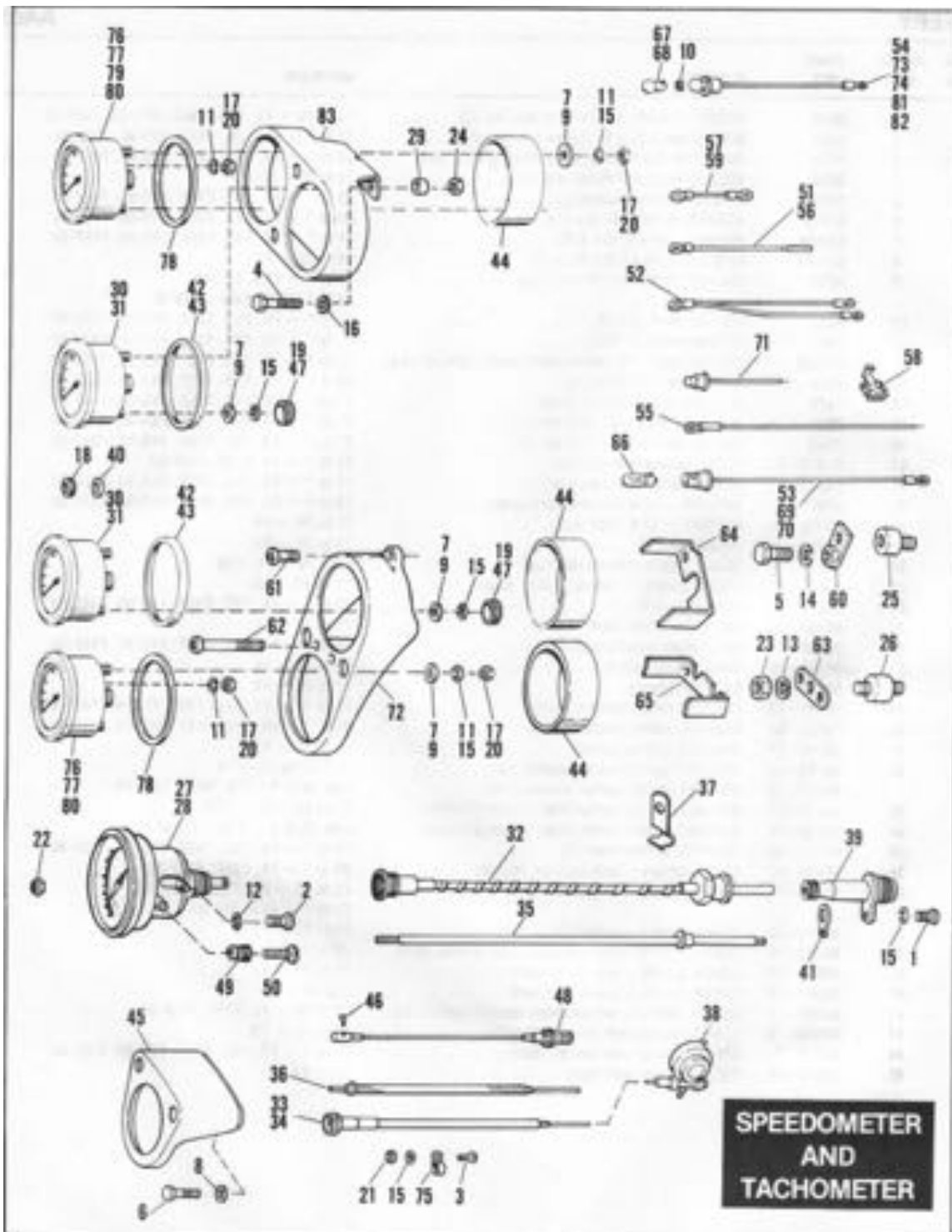
RETAIL PRICE	INDEX NO.	PART NO.	N A M E	USED ON
	1	3201W	SCREW, 5/16-18 x 3/4 socket fl. hd. (2)	Late 75 to 78 — FX
	2	3945	BOLT, 3/8-24 x 2-1/4 hex. hd.	Late 75 — FX
	3	4014W	BOLT, 5/16-24 x 1-1/4 hex. hd. (2)	Late 75 to 78 — FX
	4	4401W	BOLT, 3/8-24 x 2-3/4 hex. hd.	Late 75 to 78 — FX
	5	4411	BOLT, 3/8-24 x 1-3/4 hex. hd. (3)	Late 75 to 78 — FX
	6	4412	BOLT, 3/8-24 x 2-1/2 hex. hd.	Late 75 to 78 — FX
	7	4719W	BOLT, 3/8-16 x 1-1/4 hex. hd. (2)	Late 75 to 78 — FX
	8	5761	SPACER, front — muffler mounting bracket (2)	Late 75 to 78 — FX
	9	5762	SPACER, rear — muffler mounting bracket (2)	Late 75 to 78 — FX
	10	7038	LOCKWASHER, 3/8 (8)	Late 75 to 78 — FX
	11	7041	LOCKWASHER, 5/16 (4)	Late 75 to 78 — FX
	12	7753	NUT, 5/16-24 x 1/4 x 1/2 hex. (2)	Late 75 to 78 — FX
	13	7800W	NUT, 3/8-24 x 5/16 x 9/16 hex. (7)	Late 75 to 78 — FX
	14	65201—75A	MUFFLER ASSEMBLY	Late 75 to 78 — FX
	15	65276—62	CLAMP, muffler (2)	Late 75 to 78 — FX
	16	65334—75	PIPE ASSEMBLY	Late 75 to 78 — FX
	17	65760—75	MOUNTING BRACKET, muffler	Late 75 to 78 — FX
	18	65834—68A	GASKET, exhaust port (2)	Late 75 to 78 — FX

BATTERY



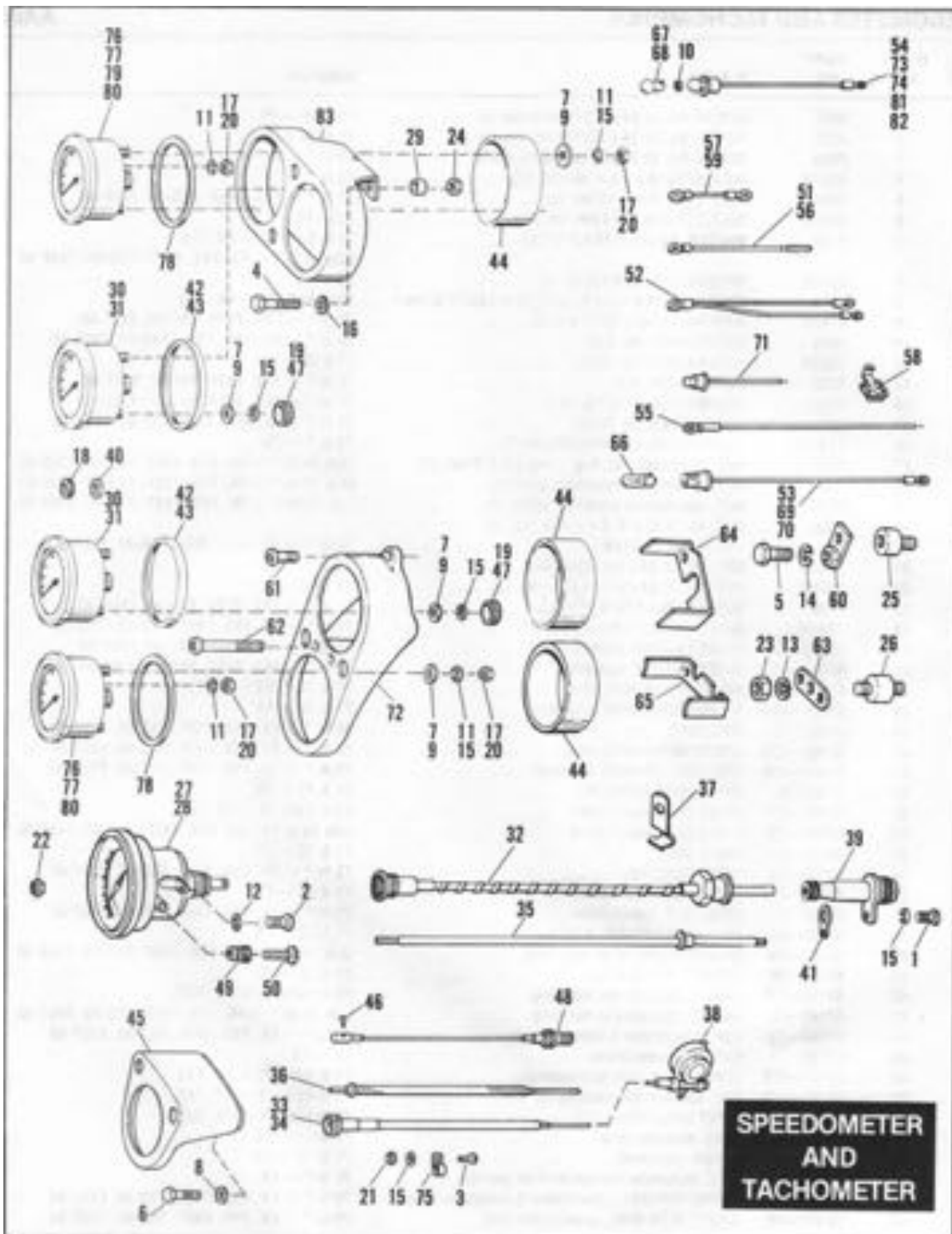
RETAIL PRICE	INDEX NO.	PART NO.	NAME	USED ON
	1	2816	SCREW, 1/4-20 x 1/2 Pozidriv ctk. hd. (2)	73 to 79 — FX, FXS, FXEF, FXS-80, FXEF-80
	2	3426	BOLT, 6 mm. x 22 x 10 Phillips hex. hd. (2)	73 to * — FX, FXS, FXEF, FXS-80, FXEF-80
	3	3728	BOLT, 1/4-20 x 1/2 hex. hd. (battery ground wire)	80 to * — FX, FXS, FXEF, FXS-80, FXEF-80
	4	3956	BOLT, 5/16-24 x 9/16 hex. hd. (2)	71 to 78 — FX
	5	5707	SPACER, battery terminal (2)	73 to * — FX, FXS, FXEF, FXS-80, FXEF-80
	6	6107B	WASHER, 5/16 x 11/16 x 1/8	80 to * — FX, FXS, FXEF, FXS-80, FXEF-80
	7	6228W	WASHER, 1/4 x 7/16 x 1/32	71 to * — FX, FXS, FXEF, FXS-80, FXEF-80
	8	6318W	WASHER, 5/16 x 5/8 x 1/16 (2)	71 to 79 — FX
	9	6702	WASHER, 5/16 x 11/16 x 1/16 (2)	77 to * — FXS, FXS-80; 80 to * — FX, FXEF, FXEF-80
	10	7036	LOCKWASHER, 1/4 (2)	71 to * — FX, FXS, FXEF, FXS-80, FXEF-80
	11	7041	LOCKWASHER, 5/16 (2)	80 to * — FX, FXS, FXEF, FXS-80, FXEF-80
	12	7229W	LOCKWASHER, 1/4 internal tooth (battery ground wire)	80 to * — FX, FXS, FXEF, FXS-80, FXEF-80
	13	7514	NUT, 6 mm. x 5 x 9 hex. (2)	73 to * — FX, FXS, FXEF, FXS-80, FXEF-80
	14	7676	NUT, 1/4-28 x 7/32 x 7/16 hex.	71 to * — FX, FXS, FXEF, FXS-80, FXEF-80
	15	7688	NUT, 1/4-20 x 7/32 x 7/16 hex. (5)	71 to * — FX, FXS, FXEF, FXS-80, FXEF-80
	16	7753	NUT, 5/16-24 x 1/4 x 1/2 hex. (2)	71 to * — FX, FXS, FXEF, FXS-80, FXEF-80
	17	61832-76	DECAL, battery (electric start)	77 to * — FX, FXEF, FXEF-80
	18	62563-65	RUBBER MOUNT, battery carrier	71 to * — FX, FXS, FXEF, FXS-80, FXEF-80
	19	69991-75A	BATTERY — 12 V. (electric start) (gray)	73 to * — FX, FXS, FXEF, FXS-80, FXEF-80
	20	66006-70	BATTERY — 12 V. (kick start)	71 to 78 — FX
	21	66013-70	FILLER PLUG (6)	71 to 78 — FX
	22	66022-79	DECAL, battery (chrome and black)	Early 79 — FX, FXS
	23	66031-78	DECAL, battery — "Made in USA" eagle	78 — FX, FXS
	24	66047-80	WARNING LABEL	80 to * — FX, FXS, FXEF, FXS-80, FXEF-80
	25	66100-70	PAD, battery (kick start)	71 to 78 — FX
	26	66103-74	PAD, battery (electric start)	74 to * — FX, FXS, FXEF, FXS-80, FXEF-80
	27	66111-70	TERMINAL SCREW KIT	71 to 78 — FX
	28	66190-71	CARRIER, battery	71 to 78 — FX
	29	66191-73	CARRIER, battery (electric start)	73 to 79 — FX, FXS, FXEF, FXS-80, FXEF-80
	30	66191-80	CARRIER, battery (electric start)	80 to * — FX, FXS, FXEF, FXS-80, FXEF-80
	31	66214-71	BRACKET, battery carrier	71 to 78 — FX
	32	66225-73	BRACKET, battery carrier (electric start)	73 to Early 78 — FX
		66225-78	BRACKET, battery carrier (electric start)	Late 78 to * — FX, FXEF, FXEF-80
	33	66226-77	BRACKET, battery carrier (electric start) (chrome)	77 to Early 78 — FXS
	34	66226-78	BRACKET, battery carrier (electric start) (chrome)	Late 78 to * — FXS, FXS-80
	35	66352-65	CUSHION, battery cover (2)	71 to * — FX, FXS, FXEF, FXS-80, FXEF-80
	36	66359-80	COVER, battery — with cushions (electric start)	80 to * — FX, FXEF, FXEF-80
	37	66367-73	COVER, battery — with cushions (electric start)	73 to 79 — FX, FXEF, FXEF-80; 77 to * — FXS, FXS-80
	38	66369-70	COVER, battery — chrome (kick start)	71 to 77 — FX
	39	66369-78	COVER, battery — with cushions, chrome (kick start)	78 — FX
	40	66371-70	COVER, battery — black (kick start)	71 to 77 — FX
	41	66381-78	COVER, battery — black (kick start)	Late 78 — FX
	42	66389-74	COVER, battery — with cushions (electric start) (black)	73 to 79 — FX, FXEF, FXEF-80
	43	66470-70	STRAP, battery cover (kick start)	71 to 78 — FX
	44	66476-73	STRAP, battery cover (electric start)	73 to * — FX, FXS, FXEF, FXS-80, FXEF-80
	45	66612-76	DECAL, battery (kick start)	77 — FX

NOTE: Asterisk (*) indicates part is used for latest model year shown on cover.



RETAIL PRICE	INDEX NO.	PART NO.	NAME	USED ON
	1	2592	SCREW, No. 10-24 x 1/2 Pozidriv pan hd.	71 & 72 - FX
	2	2598	SCREW, No. 12-24 x 3/8 Pozidriv pan hd. (2)	71 & 72 - FX
	3	2668	SCREW, No. 10-24 x 9/16 Pozidriv pan hd.	73 to * - FX
	4	2887W	BOLT, 5/16-18 x 1-3/4 hex. hd. (2)	73 to * - FX
	5	3451	BOLT, 5/16-18 x 7/16 hex. hd.	77 to * - FXS, FXEF, FXS-80, FXEF-80
	6	4337W	BOLT, 3/8-24 x 1-1/4 hex. hd. (2)	73 - FX
	7	6192	WASHER, No. 8 x 7/16 x 3/64 (2)	74 to Early 77 - FX, FXS Late 78 to * - FX, FXS, FXEF, FXS-80, FXEF-80
	8	6379W	WASHER, 3/8 x 5/8 x 3/64 (2)	73 - FX
	9	6718	WASHER, 3/16 x 1/2 x 1/16 (2) (4 - Late 77 & later)	73 to Early 78 - FX, FXS
	10	6762B	WASHER, 11/16 x 29/32 x 1/32	77 to * - FXS, FXEF, FXS-80, FXEF-80
	11	7015	LOCKWASHER, No. 8 (4)	74 to * - FX, FXS, FXEF, FXS-80, FXEF-80
	12	7030W	LOCKWASHER, No. 12 (2)	71 & 72 - FX
	13	7036	LOCKWASHER, 1/4	77 to * - FXS, FXEF, FXS-80, FXEF-80
	14	7042	LOCKWASHER, 5/16 high collar	77 to * - FXS, FXEF, FXS-80, FXEF-80
	15	7069	LOCKWASHER, No. 10 (3)	71 to * - FX, FXS, FXEF, FXS-80, FXEF-80
	16	7145W	LOCKWASHER, 3/8 external tooth (2)	73 to * - FX
	17	7517	NUT, tachometer, No. 8-32 x 1/8 x 11/32 hex. (2)	Late 78 to * - FX, FXS, FXEF, FXS-80, FXEF-80
	18	7518	NUT, speedometer reset knob (chrome)	Late 78 to * - FX, FXS, FXEF, FXS-80, FXEF-80
	19	7519	NUT, speedometer mounting (white) (2)	Late 78 to * - FX, FXS, FXEF, FXS-80, FXEF-80
	20	7608	NUT, No. 8-32 x 1/8 x 11/32 hex. (4) (2 - Late 78 & later)	74 to * - FX, FXS, FXEF, FXS-80, FXEF-80 73 to * - FX
	21	7620W	NUT, No. 10-24 x 1/8 x 3/8 hex.	71 & 72 - FX
	22	7654W	NUT, No. 12-24 x 5/32 x 7/16 hex. (2)	77 to * - FXS, FXEF, FXS-80, FXEF-80
	23	7688	NUT, 1/4-20 x 7/32 x 7/16 hex.	74 to * - FX, FXS, FXEF, FXS-80, FXEF-80
	24	7748W	NUT, 5/16-18 x 1/4 x 1/2 hex. (2)	77 to * - FXS, FXEF, FXS-80, FXEF-80
	25	50235-63	RUBBER MOUNT, speedometer	77 to * - FXS, FXEF, FXS-80, FXEF-80
	26	62563-65	RUBBER MOUNT, tachometer	77 to * - FXS, FXEF, FXS-80, FXEF-80
	27	67004-68C	SPEEDOMETER HEAD, mile	71 & 72 - FX
	28	67005-68A	SPEEDOMETER HEAD, kilometer	71 & 72 - FX
	29	67009-72	SPACER (2)	74 to * - FX, FXS, FXEF, FXS-80, FXEF-80
	30	67020-73C	SPEEDOMETER HEAD, mile	73 to * - FX, FXS, FXEF, FXS-80, FXEF-80
	31	67021-73B	SPEEDOMETER HEAD, kilometer	73 to * - FX, FXS, FXEF, FXS-80, FXEF-80
	32	67026-62	DRIVE CABLE ASSEMBLY	71 & 72 - FX
	33	67051-73	CABLE CORE AND CASING	73 to Early 78 - FX, FXS
	34	67052-78	CABLE CORE AND CASING	Late 78 to * - FX, FXS, FXEF, FXS-80, FXEF-80
	35	67055-62	CABLE CORE	71 & 72 - FX
	36	67055-73	CABLE CORE, only	73 to * - FX, FXS, FXEF, FXS-80, FXEF-80
	37	67075-57A	CLIP, speedometer cable (on crankcase)	71 & 72 - FX
	38	67127-73	DRIVE UNIT, speedometer	73 to * - FX, FXS, FXEF, FXS-80, FXEF-80
	39	67130-69	DRIVE UNIT ASSEMBLY (23 teeth)	71 & 72 - FX
	40	67140-78	GASKET, speedometer reset knob	Late 78 to * - FX, FXS, FXEF, FXS-80, FXEF-80
	41	67141-36	GASKET, drive housing	71 & 72 - FX
	42	67141-67P	GASKET, speedometer mounting	73 to Early 78 - FX, FXS
	43	67143-78	GASKET, speedometer mounting	Late 78 to * - FX, FXS, FXEF, FXS-80, FXEF-80
	44	67180-73	CUP, speedometer & tachometer (2)	73 to * - FX, FXS, FXEF, FXS-80, FXEF-80
	45	67181-73	SUPPORT, speedometer	73 - FX
	46	67195-67P	SCREW, reset cable to speedometer	73 to Early 78 - FX, FXS
	47	67198-67P	NUT, speedometer mounting (2)	73 to Early 78 - FX, FXS
	48	67210-73	RESET CABLE ASSEMBLY	73 to Early 78 - FX, FXS
	49	67215-68	KNOB, odometer reset	71 & 72 - FX
	50	67217-68	SCREW, reset knob	71 & 72 - FX
	51	67321-76	WIRE, tachometer ignition terminal (orange)	76 to * - FX
	52	67324-76	WIRING HARNESS, speedometer & tachometer ground	76 to * - FX, FXS, FXEF, FXS-80, FXEF-80
	53	67327-78	SOCKET WITH WIRE, speedometer lamp	76 to * - FX, FXS, FXEF, FXS-80, FXEF-80

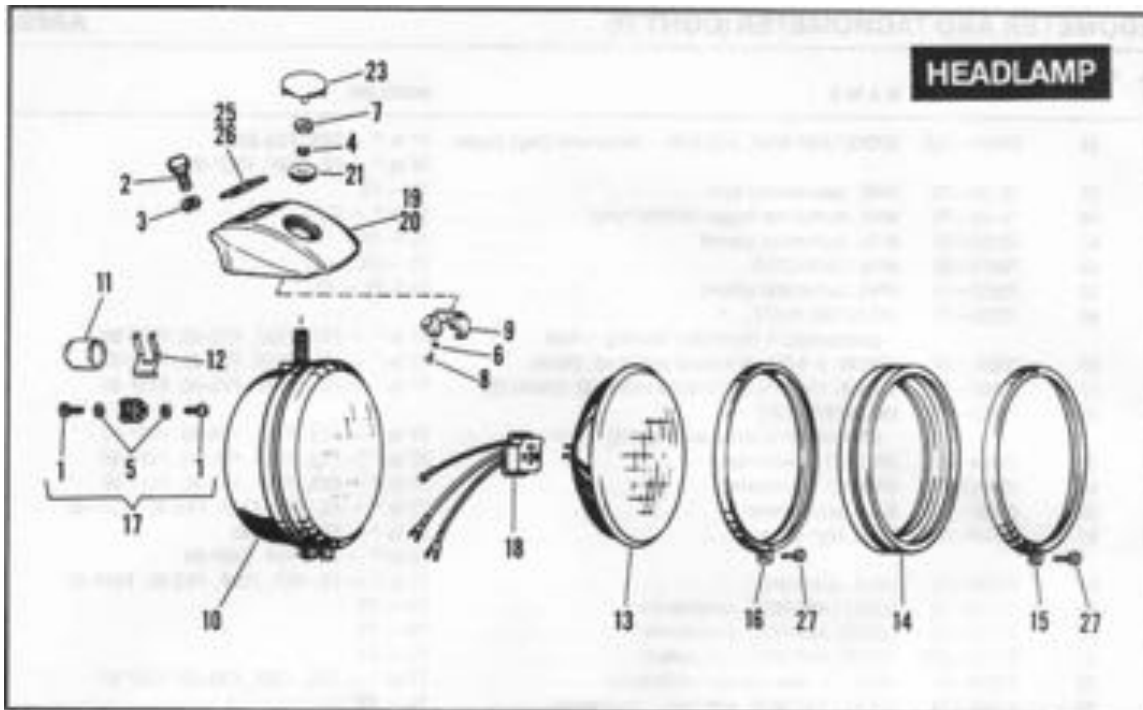
NOTE: Asterisk (*) indicates part is used for latest model year shown on cover.



RETAIL PRICE	INDEX NO.	PART NO.	NAME	USED ON
	54	67891-75A	SOCKET AND WIRE, with bulb — tachometer (high beam)	77 to * — FXS, FXS-80; 78 to * — FX, FXEF, FXEF-80
	55	70120-73	WIRE, speedometer light	73 — FX
	56	70148-75	WIRE, tachometer trigger terminal (pink)	75 to * — FX
	57	70150-75	WIRE, tachometer ground	75 — FX
	58	70576-68	WIRE CONNECTOR	73 — FX
	59	70600-74	WIRE, tachometer ground	74 & 75 — FX
	60	70900-77	MOUNTING PLATE, speedometer & tachometer housing — front	77 to * — FXS, FXEF, FXS-80, FXEF-80
	61	70901-77	SCREW, 1/4-20 x 3/4 round socket hd. (black)	77 to * — FXS, FXEF, FXS-80, FXEF-80
	62	70902-77	SCREW, 1/4-20 x 2-1/2 round socket hd. (black) (2)	77 to * — FXS, FXEF, FXS-80, FXEF-80
	63	70903-77	MOUNTING PLATE, speedometer & tachometer housing — rear	77 to * — FXS, FXEF, FXS-80, FXEF-80
	64	70904-77	BRACKET, speedometer	77 to * — FXS, FXEF, FXS-80, FXEF-80
	65	70905-77	BRACKET, tachometer	77 to * — FXS, FXEF, FXS-80, FXEF-80
	66	71090-64	BULB, speedometer	73 to * — FX, FXS, FXEF, FXS-80, FXEF-80
	67	71092-68A	BULB, high beam	77 to * — FXS, FXS-80; 78 to * — FX, FXEF, FXEF-80
	68	71099-74	BULB, tachometer	74 to * — FX, FXS, FXEF, FXS-80, FXEF-80
	69	71145-74	SOCKET AND WIRE, speedometer	74 — FX
	70	71146-75	SOCKET AND WIRE, speedometer	75 — FX
	71	71151-67P	SOCKET AND WIRE, speedometer	73 — FX
	72	71301-77	HOUSING, speedometer & tachometer	77 to * — FXS, FXEF, FXS-80, FXEF-80
	73	71650-74	SOCKET AND WIRE, with bulb — tachometer	74 — FX
	74	71650-75	SOCKET AND WIRE, with bulb — tachometer	75 — FX
	75	71795-63A	CLAMP, speedometer cable	73 to * — FX
	76	92040-74	TACHOMETER	74 & 75 — FX
	77	92040-76	TACHOMETER	76 to Early 78 — FX, FXS
	78	92041-74	GASKET, tachometer	74 to * — FX, FXS, FXEF, FXS-80, FXEF-80
	80	92042-78A	TACHOMETER (Nippon)	Late 78 to * — FX, FXS, FXEF, FXS-80, FXEF-80
	81	92045-76	SOCKET AND WIRE, with bulb — tachometer	76 to Early 78 — FX, FXS
	82	92046-78	SOCKET AND WIRE, with bulb — tachometer	Late 78 to * — FX, FXS, FXEF, FXS-80, FXEF-80
	83	92074-73	HOUSING, speedometer and tachometer	74 to * — FX

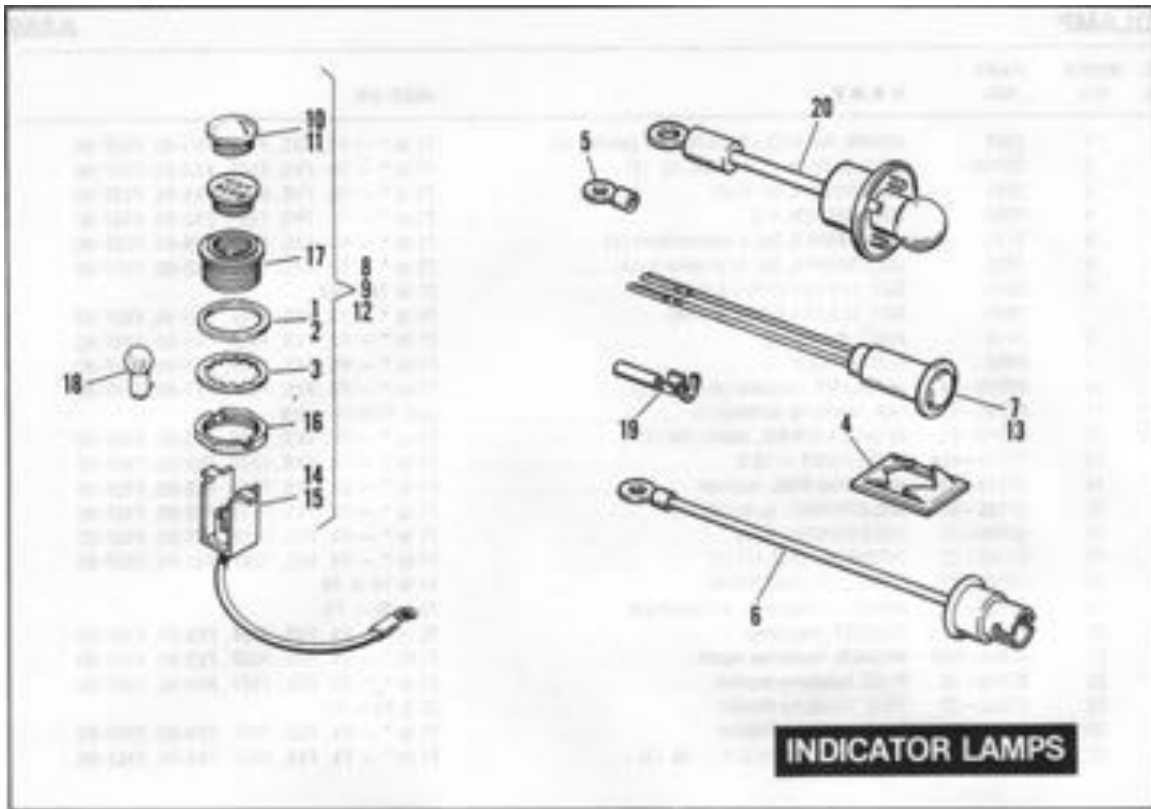
NOTE: Asterisk (*) indicates part is used for latest model year shown on cover.

HEADLAMP



RETAIL PRICE	INDEX NO.	PART NO.	N A M E	USED ON
	1	2585	SCREW, No. 8-32 x 5/16 Pozidriv pan hd. (4)	71 to * — FX, FXS, FXEF, FXS-80, FXEF-80
	2	2871W	BOLT, 5/16-18 x 1-1/8 hex. hd. (2)	71 to * — FX, FXS, FXEF, FXS-80, FXEF-80
	3	7041	LOCKWASHER, 5/16 (2)	71 to * — FX, FXS, FXEF, FXS-80, FXEF-80
	4	7068	LOCKWASHER, 1/2	71 to * — FX, FXS, FXEF, FXS-80, FXEF-80
	5	7115	LOCKWASHER, No. 8 internal tooth (4)	71 to * — FX, FXS, FXEF, FXS-80, FXEF-80
	6	7220	LOCKWASHER, No. 10 external tooth	73 to * — FX, FXS, FXEF, FXS-80, FXEF-80
	7	7845	NUT, 1/2-20 x 7/16 x 3/4 hex.	71 to 74 — FX
		7880	NUT, 1/2-13 x 7/16 x 3/4 hex.	75 to * — FX, FXS, FXEF, FXS-80, FXEF-80
	8	8519	RIVET, flasher clip	71 to * — FX, FXS, FXEF, FXS-80, FXEF-80
	9	9952	FLASHER CLIP	71 to * — FX, FXS, FXEF, FXS-80, FXEF-80
	10	67705-74	HEADLAMP, complete (w/ wiring)	75 to * — FX, FXS, FXEF, FXS-80, FXEF-80
	11	67710-72	CAP, headlamp terminal (2)	Late 72 to 74 — FX
	12	67714-63	RETAINER SPRING, sealed unit (4)	71 to * — FX, FXS, FXEF, FXS-80, FXEF-80
	13	67717-65A	SEALED UNIT — 12 V.	71 to * — FX, FXS, FXEF, FXS-80, FXEF-80
	14	67719-63	MOUNTING RING, resilient	71 to * — FX, FXS, FXEF, FXS-80, FXEF-80
	15	67725-63	MOLDING RING, outer (2)	71 to * — FX, FXS, FXEF, FXS-80, FXEF-80
	16	67744-75	MOLDING RING, inner	71 to * — FX, FXS, FXEF, FXS-80, FXEF-80
	17	67745-63	TERMINAL PLATE KIT (2)	71 to * — FX, FXS, FXEF, FXS-80, FXEF-80
	18	67753-63	CONNECTOR AND WIRING	71 to 74 — FX
	19	67807-73	BRACKET, headlamp, w/ flasher clip	73 & 74 — FX
	20	67809-75	BRACKET, headlamp	75 to * — FX, FXS, FXEF, FXS-80, FXEF-80
	21	67815-59A	WASHER, headlamp mount	71 to * — FX, FXS, FXEF, FXS-80, FXEF-80
	23	67830-59	PLUG, headlamp bracket	71 to * — FX, FXS, FXEF, FXS-80, FXEF-80
	25	67832-73	TRIM, headlamp bracket	73 & 74 — FX
	26	67833-75	TRIM, headlamp bracket	75 to * — FX, FXS, FXEF, FXS-80, FXEF-80
	27	68672-38	SCREW, No. 8-32 x 3/4 fl. hd. (2)	71 to * — FX, FXS, FXEF, FXS-80, FXEF-80

NOTE: Asterisk (*) indicates part is used for latest model year shown on cover.



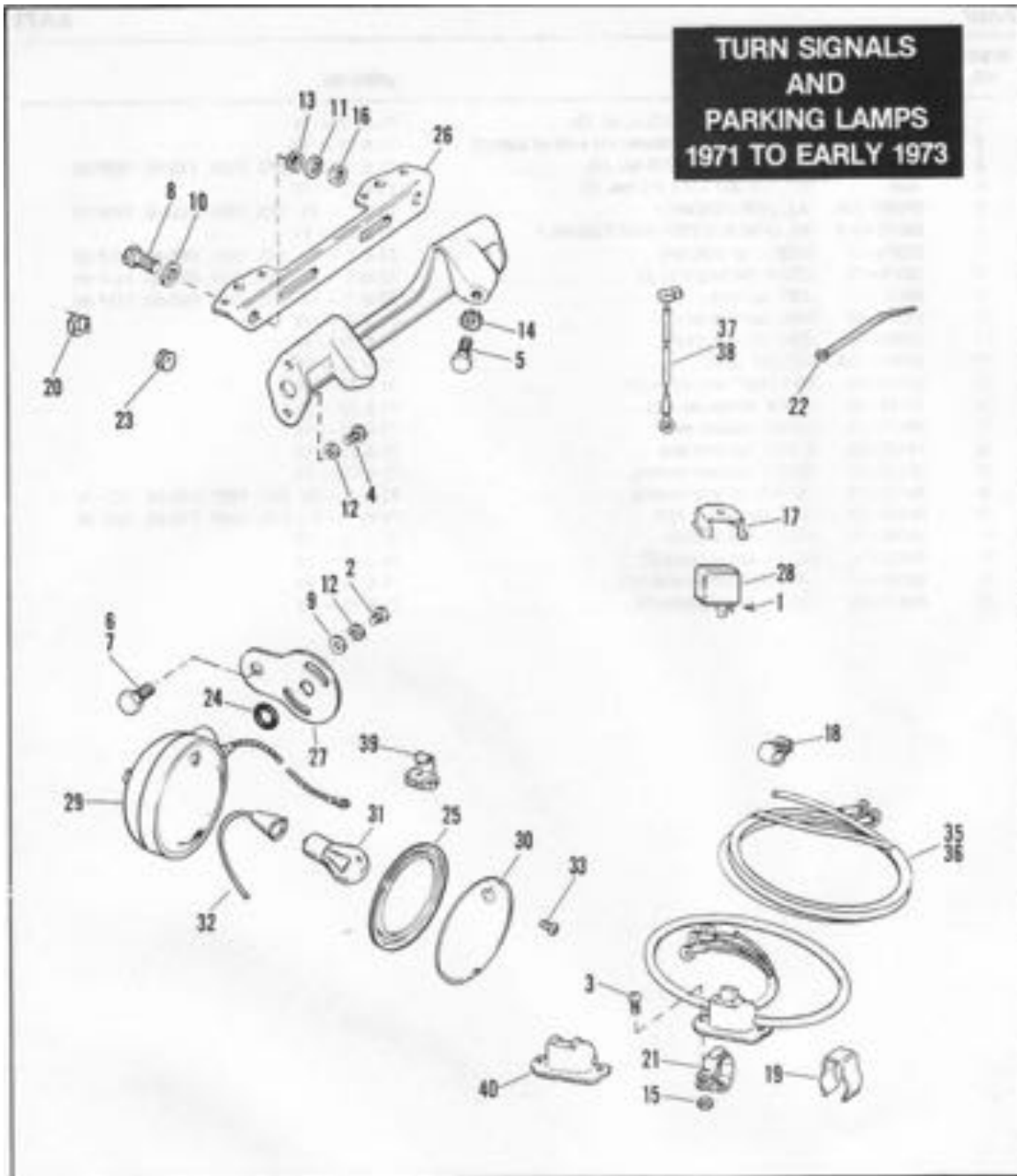
RETAIL PRICE	INDEX NO.	PART NO.	N A M E	USED ON
	1	67628	WASHER, 11/16 x 29/32 x 1/32	73 to * — FX, FXS, FXEF, FXS-80, FXEF-80
	2	6768	WASHER, 15/16 x 11/16 x 1/16 (fiber)	71 & 72 — FX
	3	7149	LOCKWASHER, 15/16 internal tooth	71 to * — FX, FXS, FXEF, FXS-80, FXEF-80
	4	7614	SPEED NUT, 1/2 dia, stud size (2)	75 to * — FX, FXS, FXEF, FXS-80, FXEF-80
	5	9857	WIRE TERMINAL, ring type — #16-22 wire	76 to * — FX, FXS, FXEF, FXS-80, FXEF-80
	6	67327-78	SOCKET WITH WIRE, speedometer	76 to 79 — FX, FXS, FXEF, FXS-80, FXEF-80
	7	67851-75	INDICATOR LAMP, neutral (green)	75 to * — FX, FXS, FXEF, FXS-80, FXEF-80
	8	67891-68	HIGH BEAM PILOT LAMP, less bulb (flat lens — single wire)	73 & 74 — FX
	9	67891-75A	HIGH BEAM PILOT LAMP	75 to * — FX, FXS, FXEF, FXS-80, FXEF-80
	10	67899-68A	LENS, indicator lamp (transparent red)	73 to * — FX, FXS, FXEF, FXS-80, FXEF-80
	11	67899-72	LENS, indicator lamp (neutral & oil pressure) (transparent red)	73 & 74 — FX
	12	68536-72	INDICATOR LAMP, neutral & oil pressure (two wire) (2)	73 & 74 — FX
	13	68536-75	INDICATOR LAMP, oil pressure (red)	75 to * — FX, FXS, FXEF, FXS-80, FXEF-80
	14	68563-60	SOCKET AND WIRE, pilot lamp	73 & 74 — FX
	15	68563-75A	SOCKET AND WIRE, high beam indicator	75 to * — FX, FXS, FXEF, FXS-80, FXEF-80
	16	68564-60	NUT, pilot lamp holder	73 to * — FX, FXS, FXEF, FXS-80, FXEF-80
	17	68565-60	HOLDER, pilot lamp	73 to * — FX, FXS, FXEF, FXS-80, FXEF-80
	18	71092-68A	BULB, indicator lamp (3)	73 to * — FX, FXS, FXEF, FXS-80, FXEF-80
	19	72038-71	SOCKET, single pin	75 to * — FX, FXS, FXEF, FXS-80, FXEF-80
	20	92045-76	SOCKET AND WIRE, with bulb — tachometer	76 to 79 — FX, FXS, FXEF, FXS-80, FXEF-80

NOTE: Asterisk (*) indicates part is used for latest model year shown on cover.

RETAIL PRICE	INDEX NO.	PART NO.	N A M E	USED ON
	1	2612	SCREW, No. 8-32 x 1/2 rd. hd. (3)	71 & 72 - FX
	2	7229W	LOCKWASHER, 1/4 internal and external both (2)	71 & 72 - FX
	3	7501	SPEED NUT, 1/4 x 7/16 hex. (2)	73 to * - FX, FXS, FXEF, FXS-80, FXEF-80
	4	7688	NUT, 1/4-20 x 1/4 x 1/2 hex. (2)	71 & 72 - FX
	5	68008-73A	TAIL LAMP ASSEMBLY	73 to * - FX, FXS, FXEF, FXS-80, FXEF-80
	6	68010-648	TAIL LAMP AND STOPLIGHT ASSEMBLY	71 & 72 - FX
	7	68025-73	GASKET, tail lamp lens	73 to * - FX, FXS, FXEF, FXS-80, FXEF-80
	8	68026-73	SCREW, tail lamp lens (2)	73 to * - FX, FXS, FXEF, FXS-80, FXEF-80
	9	68034-77	LENS, tail lamp	73 to * - FX, FXS, FXEF, FXS-80, FXEF-80
	10	68086-55	DOOR, tail lamp lens	71 & 72 - FX
	11	68090-69	LENS, tail lamp (red)	71 & 72 - FX
	12	68093-35A	OUTLOOK LENS	71 & 72 - FX
	13	68114-55	SPEED NUT, lens screw (2)	71 & 72 - FX
	14	68119-68	SCREW, outlook lens (2)	71 & 72 - FX
	15	68121-55	GASKET, outlook lens	71 & 72 - FX
	16	68122-55	GASKET, tail lamp lens	71 & 72 - FX
	17	68123-55	GASKET, tail lamp housing	71 & 72 - FX
	18	68123-73	GASKET, tail lamp housing	73 to * - FX, FXS, FXEF, FXS-80, FXEF-80
	19	68155-64	BULB, tail lamp - 12 V.	71 to * - FX, FXS, FXEF, FXS-80, FXEF-80
	20	68185-70	SOCKET AND WIRING	71 & 72 - FX
	21	68195-55	EYELET, socket screw (3)	71 & 72 - FX
	22	68196-55	GROMMET, socket screw (3)	71 & 72 - FX
	23	68672-38	SCREW, tail lamp door (2)	71 & 72 - FX

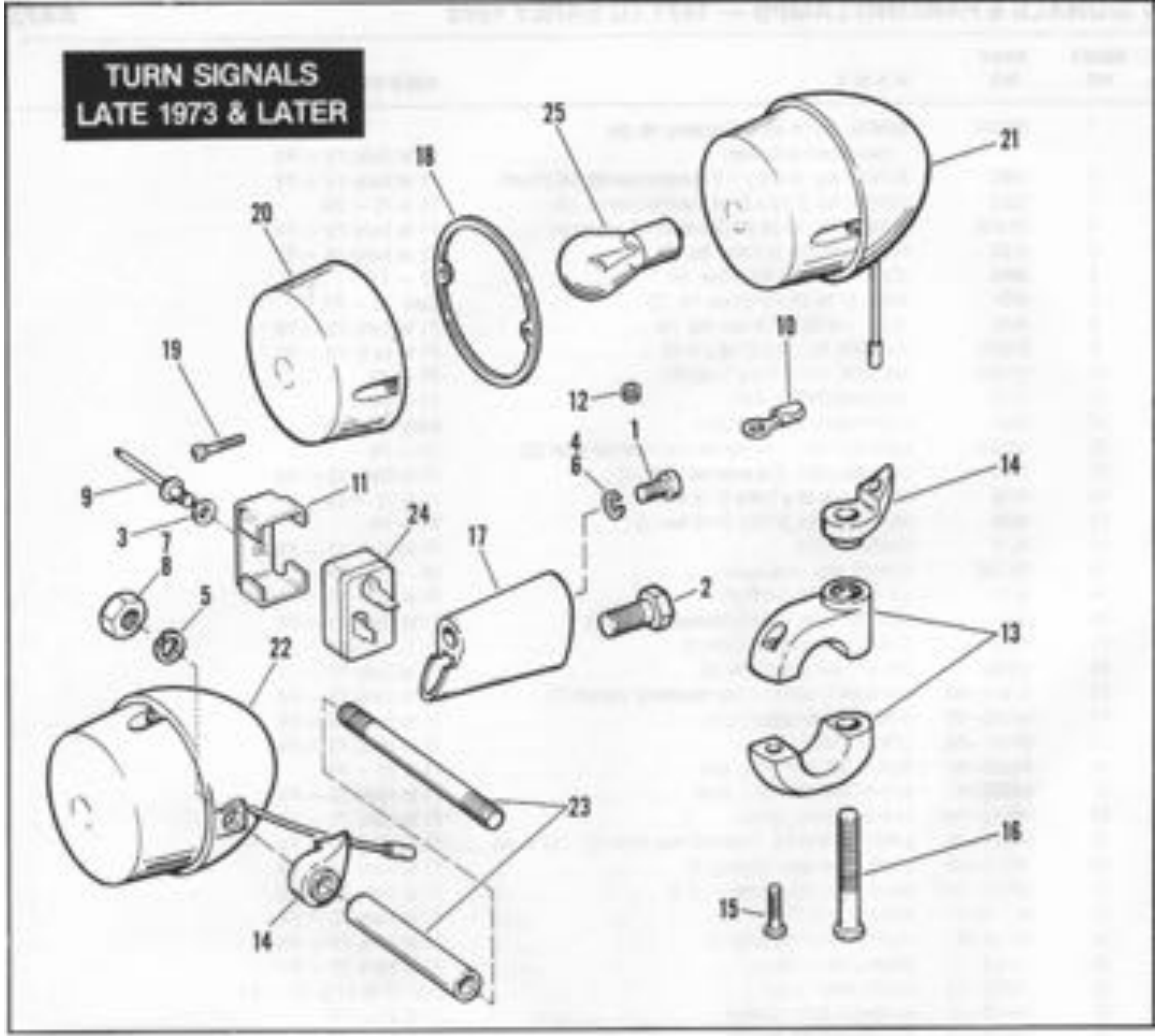
NOTE: Asterisk (*) indicates part is used for latest model year shown on cover.

**TURN SIGNALS
AND
PARKING LAMPS
1971 TO EARLY 1973**



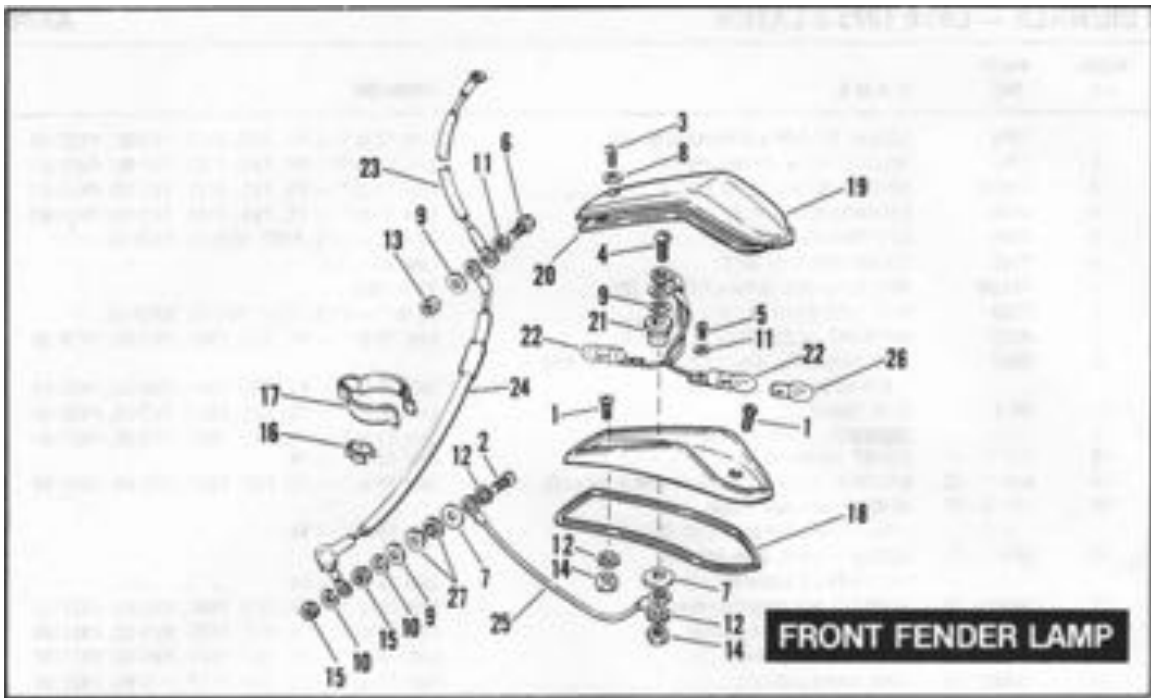
RETAIL PRICE	INDEX NO.	PART NO.	N A M E	USED ON
	1	2073W	SCREW, No. 4-40 self-tapping rd. hd. (two-terminal flasher)	71 to Early 73 — FX
	2	2502	SCREW, No. 10-24 x 1/2 Pozidriv pan hd. (4) (front)	71 to Early 73 — FX
	3	2585	SCREW, No. 8-32 x 5/16 Pozidriv pan hd. (3)	71 & 72 — FX
	4	2692W	SCREW, No. 10-24 x 1/2 socket hd. (4) (rear)	71 to Early 73 — FX
	5	3729	BOLT, 1/4-20 x 1/2 hex. hd. (2)	72 to Early 73 — FX
	6	3956	BOLT, 5/16-24 x 9/16 hex. hd.	72 — FX
	7	4391	BOLT, 5/16-24 x 5/8 hex. hd. (2)	Early 73 — FX
	8	4410	BOLT, 1/4-28 x 7/8 hex. hd. (2)	71 to Early 73 — FX
	9	6182W	WASHER, No. 10 x 7/16 x 1/32	71 to Early 73 — FX
	10	6228W	WASHER, 1/4 x 1/2 x 1/16 (2)	71 — FX
	11	7036	LOCKWASHER, 1/4 (2)	71 — FX
	12	7099	LOCKWASHER, No. 30 (6)	Early 73 — FX
	13	7229W	LOCKWASHER, 1/4 internal and external tooth (2)	71 — FX
	14	7230	LOCKWASHER, 1/4 external tooth (2)	72 to Early 73 — FX
	15	7608	NUT, No. 8-32 x 1/8 x 5/16 hex.	71 & 72 — FX
	16	7676	NUT, 1/4-28 x 3/16 x 7/16 hex. (2)	71 — FX
	17	9952	FLASHER CLIP	71 to Early 73 — FX
	18	9965W	CLAMP, rear lamp cable	72 — FX
	19	9976	HANDLEBAR CLAMP (2)	71 & 72 — FX
	20	9981	CLIP, tail lamp wires to license bracket (2)	71 to Early 73 — FX
	21	10001	CLAMP, handlebar switch (2)	71 & 72 — FX
	22	10006	STRAP, rear lamp cable (6)	71 to Early 73 — FX
	23	57978-63	GROMMET, wires — rear mounting bracket (2)	71 to Early 73 — FX
	24	68520-63	O-RING, lamp mounting (4)	71 to Early 73 — FX
	25	68521-63	LENS GASKET (4)	71 to Early 73 — FX
	26	68525-67	MOUNTING BRACKET, rear	71 & 72 — FX
	27	68530-67	MOUNTING BRACKET, front	71 to Early 73 — FX
	28	68543-64A	FLASHER (turn signal)	71 to Early 73 — FX
	29	68552-70	LAMP WITH WIRE, front and rear (amber) — 12 V. (4)	71 to Early 73 — FX
	30	68571-63	LENS, front lamp (amber) (2)	71 to Early 73 — FX
	31	68572-64A	BULB, turn signal lamp — 12 V.	71 to Early 73 — FX
	32	68576-70	SOCKET AND WIRE	71 to Early 73 — FX
	33	68586-63	SCREW, lens mounting (2)	71 to Early 73 — FX
	35	70093-70	REAR LAMP CABLE	71 to Early 72 — FX
	36	70285-72	REAR LAMP CABLE	Late 72 to Early 73 — FX
	37	70418-69	FLASHER WIRE, orange	71 & 72 — FX
	38	70418-73	FLASHER WIRE, orange	73 & 74 — FX
	39	70576-68	WIRE CONNECTOR	71 to Early 73 — FX
	40	71847-70	HOUSING, turn signal switch	71 & 72 — FX

**TURN SIGNALS
LATE 1973 & LATER**



RETAIL PRICE	INDEX NO.	PART NO.	N A M E	USED ON
	1	2888	SCREW, 5/16-24 x 5/8 socket hd. (4)	Late 73 to * — FX, FXS, FXEF, FXS-80, FXEF-80
	2	2889	BOLT, 3/8-24 x 3/4 hex. hd. (2)	Late 73 to * — FX, FXS, FXEF, FXS-80, FXEF-80
	3	6189W	WASHER, 5/32 x 13/32 x 1/32	Late 76 to * — FX, FXS, FXEF, FXS-80, FXEF-80
	4	7038	LOCKWASHER, 3/8 (2)	Late 73 to * — FX, FXS, FXEF, FXS-80, FXEF-80
	5	7041	LOCKWASHER, 5/16 (2)	77 to * — FXS, FXEF, FXS-80, FXEF-80
	6	7042	LOCKWASHER, 5/16 (2)	Late 73 — FX
	7	7748W	NUT, 5/16-18 x 17/64 x 1/2 hex. (2)	77 — FXS
	8	7753	NUT, 5/16-24 x 1/4 x 1/2 hex. (2)	78 to * — FXS, FXEF, FXS-80, FXEF-80
	9	8692	POP RIVET, 5/32 x 3/8 x 5/16 dia. hd.	Late 73 to * — FX, FXS, FXEF, FXS-80, FXEF-80
	10	9902	WIRE TERMINAL, ring type — 3/16 dia. hole — #14-16 wire	Late 73 to * — FX, FXS, FXEF, FXS-80, FXEF-80
	11	9952	CLIP, flasher	Late 73 to * — FX, FXS, FXEF, FXS-80, FXEF-80
	12	11410	GROMMET, rear lamp wire (2)	Late 73 to * — FX, FXS, FXEF, FXS-80, FXEF-80
	13	68476—73	CLAMP, handlebar (2)	Late 73 to * — FX
	14	68477—73	BRACKET, handlebar clamp or stud to lamp (2)	Late 73 to * — FX, FXS, FXEF, FXS-80, FXEF-80
	15	68478—73	SCREW, handlebar clamp, No. 10-24 x 3/4 socket hd. (2)	Late 73 to * — FX
	16	68479—73	SCREW — front, lamp mounting, 5/16-24 x 2 socket hd. (2)	Late 73 to * — FX
	17	68480—73	SUPPORT, rear lamp mounting (2)	Late 73 to * — FX, FXS, FXEF, FXS-80, FXEF-80
	18	68481—73	GASKET, turn signal lens (2)	Late 73 to * — FX, FXS, FXEF, FXS-80, FXEF-80
	19	68482—73	SCREW, turn signal lens (2)	Late 73 to * — FX, FXS, FXEF, FXS-80, FXEF-80
	20	68483—73	LENS, turn signal (2)	Late 73 to * — FX, FXS, FXEF, FXS-80, FXEF-80
	21	68514—73	LAMP WITH WIRE, amber (4) (2 — FXS — rear)	Late 73 to * — FX, FXS, FXEF, FXS-80, FXEF-80
	22	68515—77A	LAMP WITH WIRE, amber — front (2)	77 to * — FXS, FXEF, FXS-80, FXEF-80
	23	68528—77A	STUD WITH SPACER, front turn signal (2)	77 to * — FXS, FXEF, FXS-80, FXEF-80
	24	68543—84A	FLASHER	Late 73 to * — FX, FXS, FXEF, FXS-80, FXEF-80
	25	68572—84A	BULB, turn signal — 12 V.	Late 73 to * — FX, FXS, FXEF, FXS-80, FXEF-80

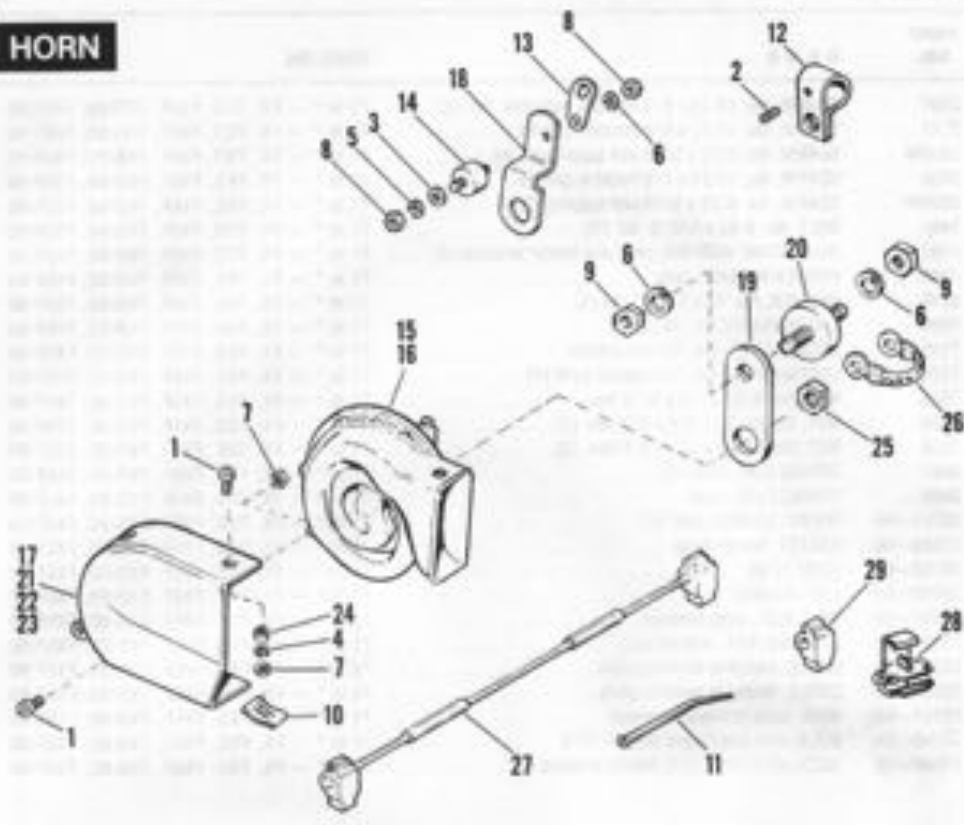
NOTE: Asterisk (*) indicates part is used for latest model year shown on cover.



RETAIL PRICE	INDEX NO.	PART NO.	N A M E	USED ON
	1	2401	SCREW, No. 10-24 x 5/8 Pozidriv oval clok. hd. (2)	71 to * - FX, FXS, FXEF, FXS-80, FXEF-80
	2	2587	SCREW, No. 10-32 x 5/8 Pozidriv pan hd.	71 to * - FX, FXS, FXEF, FXS-80, FXEF-80
	3	2630W	SCREW, No. 8-32 x 5/16 self-tapping rd. hd.	71 to * - FX, FXS, FXEF, FXS-80, FXEF-80
	4	2659	SCREW, No. 10-24 x 7/8 Pozidriv pan hd.	71 to * - FX, FXS, FXEF, FXS-80, FXEF-80
	5	3005W	SCREW, No. 6-32 x 3/16 self-tapping (2)	71 to * - FX, FXS, FXEF, FXS-80, FXEF-80
	6	3491	BOLT, No. 8-32 x 5/8 rd. hd. (3)	71 to * - FX, FXS, FXEF, FXS-80, FXEF-80
	7	6197	INSULATING WASHER, lamp and fender terminal (2)	71 to * - FX, FXS, FXEF, FXS-80, FXEF-80
	8	6393	RUBBER WASHER, lens	71 to * - FX, FXS, FXEF, FXS-80, FXEF-80
	9	6716	WASHER, No. 10 x 1/2 x 3/64 (3)	71 to * - FX, FXS, FXEF, FXS-80, FXEF-80
	10	7969	LOCKWASHER, No. 10 (2)	71 to * - FX, FXS, FXEF, FXS-80, FXEF-80
	11	7115	LOCKWASHER, No. 8 internal tooth	71 to * - FX, FXS, FXEF, FXS-80, FXEF-80
	12	7220	LOCKWASHER, No. 10 external tooth (4)	71 to * - FX, FXS, FXEF, FXS-80, FXEF-80
	13	7608	NUT, No. 8-32 x 1/8 x 5/16 hex.	71 to * - FX, FXS, FXEF, FXS-80, FXEF-80
	14	7624	NUT, No. 10-24 x 1/4 x 3/8 hex. (3)	71 to * - FX, FXS, FXEF, FXS-80, FXEF-80
	15	7638	NUT, No. 10-32 x 1/8 x 3/8 hex. (2)	71 to * - FX, FXS, FXEF, FXS-80, FXEF-80
	16	9961	SPRING CLIP, small (3)	71 to * - FX, FXS, FXEF, FXS-80, FXEF-80
	17	9986	SPRING CLIP, large	71 to * - FX, FXS, FXEF, FXS-80, FXEF-80
		59260-68	FRONT FENDER LAMP KIT	71 to * - FX, FXS, FXEF, FXS-80, FXEF-80
	18	59266-68	GASKET, fender lamp	71 to * - FX, FXS, FXEF, FXS-80, FXEF-80
	19	59268-68	LAMP LENS	71 to * - FX, FXS, FXEF, FXS-80, FXEF-80
	20	59269-68	LENS GASKET	71 to * - FX, FXS, FXEF, FXS-80, FXEF-80
	21	59271-68	WELL NUT, lamp terminal	71 to * - FX, FXS, FXEF, FXS-80, FXEF-80
	22	59274-68	LAMP SOCKET, with wire (2)	71 to * - FX, FXS, FXEF, FXS-80, FXEF-80
	23	70335-68	CABLE, switch to terminal plate	71 to * - FX, FXS, FXEF, FXS-80, FXEF-80
	24	70336-68	CABLE, fender to terminal plate	71 to * - FX, FXS, FXEF, FXS-80, FXEF-80
	25	70337-68	WIRE, lamp to fender terminal	71 to * - FX, FXS, FXEF, FXS-80, FXEF-80
	26	71090-64	BULB, pilot and fender lamp - 12 V.	71 to * - FX, FXS, FXEF, FXS-80, FXEF-80
	27	71096-38	INSULATING WASHER, fender terminal (2)	71 to * - FX, FXS, FXEF, FXS-80, FXEF-80

NOTE: Asterisk (*) indicates part is used for latest model year shown on cover.

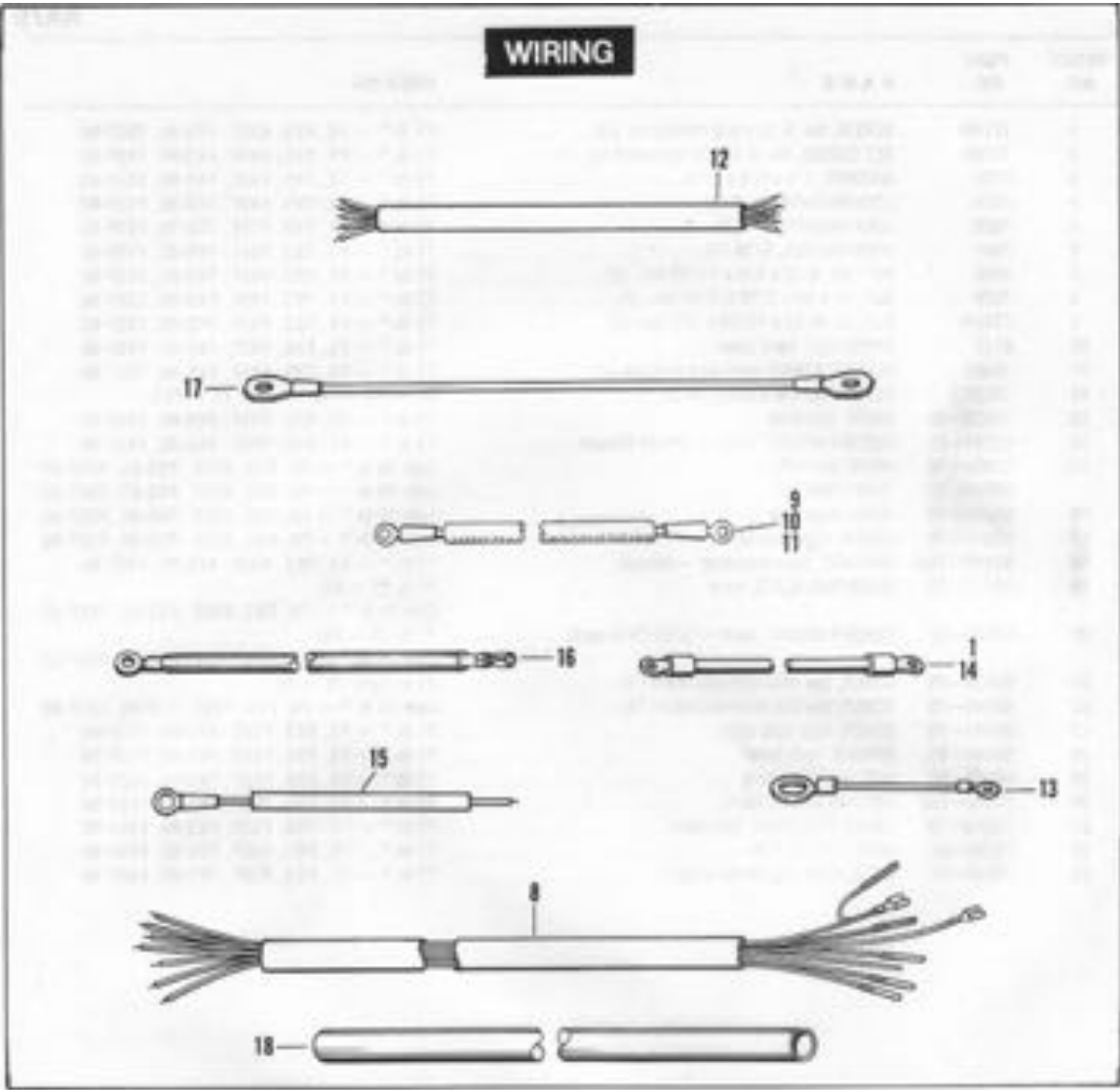
HORN



RETAIL PRICE	INDEX NO.	PART NO.	NAME	USED ON
	1	1719W	SCREW, No. 8-32 x 5/8 Phillips hd. (3)	71 to * - FX, FXS, FXEF, FXS-80, FXEF-80
	2	3206B	SET SCREW, No. 8-32 x 3/16 socket hd. (2)	71 to * - FX, FXS, FXEF, FXS-80, FXEF-80
	3	6703	WASHER, 1/4 x 5/8 x 1/16	73 to * - FX, FXS, FXEF, FXS-80, FXEF-80
	4	7015	LOCKWASHER, No. 8 (2)	71 to * - FX, FXS, FXEF, FXS-80, FXEF-80
	5	7036	LOCKWASHER, 1/4 (2)	73 to * - FX, FXS, FXEF, FXS-80, FXEF-80
	6	7041	LOCKWASHER, 5/16 (2)	71 to * - FX, FXS, FXEF, FXS-80, FXEF-80
	7	7608	NUT, No. 8-32 x 1/8 x 11/32 hex. (2)	71 to * - FX, FXS, FXEF, FXS-80, FXEF-80
	8	7688	NUT, 1/4-20 x 7/32 x 7/16 hex. (2)	73 to * - FX, FXS, FXEF, FXS-80, FXEF-80
	9	7748W	NUT, 5/16-18 x 17/64 x 1/2 hex. (2)	71 to * - FX, FXS, FXEF, FXS-80, FXEF-80
	10	8125	SPEED NUT, horn cover	71 to * - FX, FXS, FXEF, FXS-80, FXEF-80
	11	10006	PLASTIC STRAP, horn wire to frame (2)	71 to * - FX, FXS, FXEF, FXS-80, FXEF-80
	12	10025	CLAMP, horn to frame (1 or 2)	70 - 73, 77 to * - FX; 77 - FXS
	13	38623-68	GUIDE, gas hose	73 to * - FX, FXS, FXEF, FXS-80, FXEF-80
	14	62563-65	RUBBER MOUNT, horn - 1/4-20 threads	73 to * - FX, FXS, FXEF, FXS-80, FXEF-80
	15	69000-76	HORN, low note	Late 76 to * - FX, FXS, FXEF, FXS-80, FXEF-80
		69003-76	TWIN HORN KIT	Late 76 to * - FX, FXS, FXEF, FXS-80, FXEF-80
	16	69016-76	HORN, high note	Late 76 to * - FX, FXS, FXEF, FXS-80, FXEF-80
	17	69017-76	COVER, high note horn	Late 76 to * - FX, FXS, FXEF, FXS-80, FXEF-80
	18	69116-73A	BRACKET, horn mounting - chrome	73 to * - FX, FXS, FXEF, FXS-80, FXEF-80
	19	69117-65	MOUNTING PLATE, horn	71 & 72 - FX; Late 76 to * - FX, FXS, FXEF, FXS-80, FXEF-80
	20	69125-65	RUBBER MOUNT, horn - 5/16-18 threads	71 & 72 - FX; Late 76 to * - FX, FXS, FXEF, FXS-80, FXEF-80
	21	69138-65	COVER, low note horn (standard FX)	71 to Early 76 - FX
	22	69140-76	COVER, low note horn (standard FX)	Late 76 to * - FX, FXS, FXEF, FXS-80, FXEF-80
	23	69141-70	COVER, high note horn	71 to * - FX, FXS, FXEF, FXS-80, FXEF-80
	24	69144-65	SPACER, horn cover	71 to * - FX, FXS, FXEF, FXS-80, FXEF-80
	25	69149-65	NUT, horn mounting	71 to * - FX, FXS, FXEF, FXS-80, FXEF-80
	26	70016-65A	GROUND STRAP, horn	71 to * - FX, FXS, FXEF, FXS-80, FXEF-80
	27	70318-70	CABLE ASSEMBLY, twin horn	71 to * - FX, FXS, FXEF, FXS-80, FXEF-80
	28	70576-68	WIRE CONNECTOR	71 to * - FX, FXS, FXEF, FXS-80, FXEF-80
	29	70584-69	INSULATOR, flag terminal (2)	71 to * - FX, FXS, FXEF, FXS-80, FXEF-80

NOTE: Asterisk (*) indicates part is used for latest model year shown on cover.

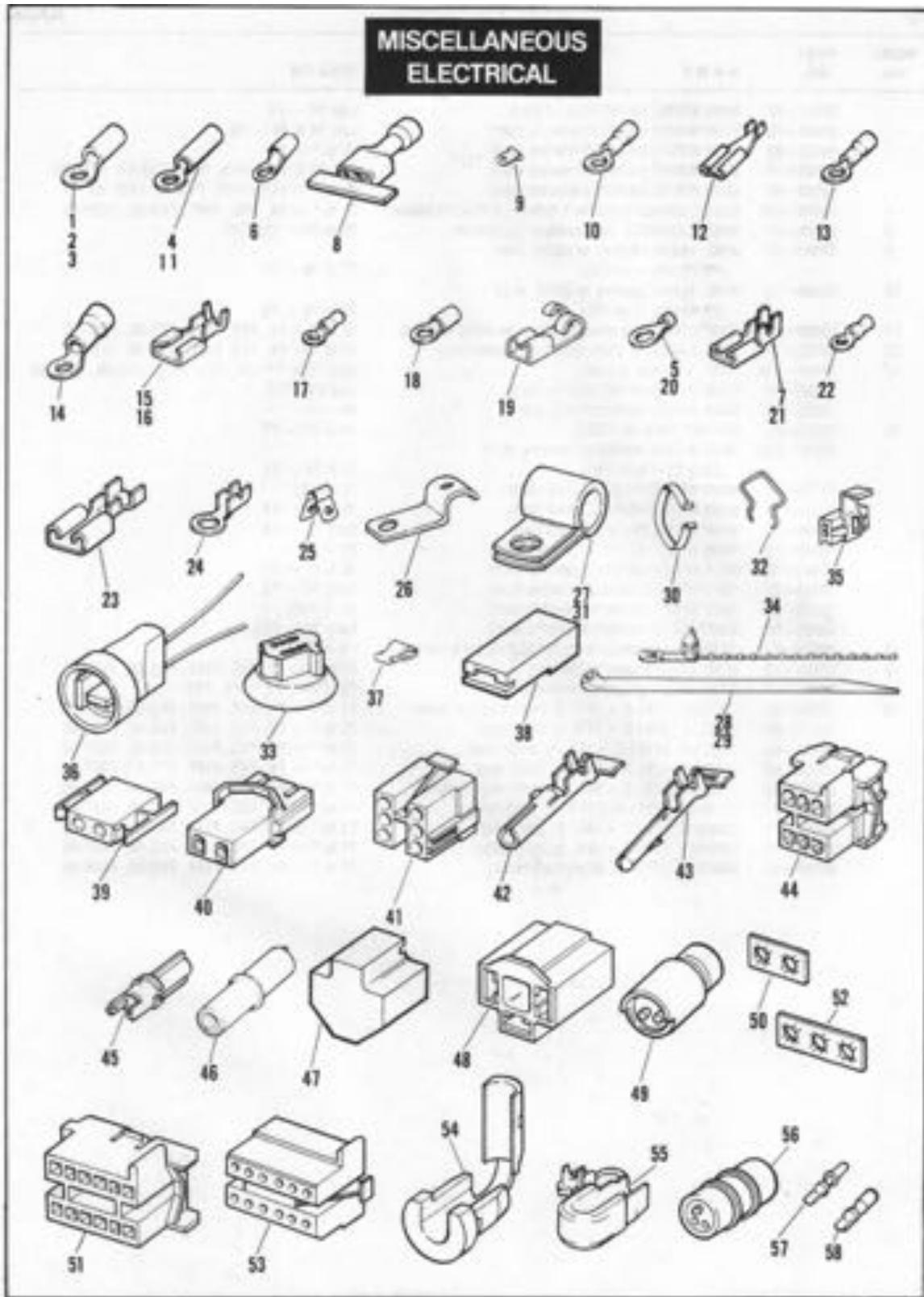
WIRING



RETAIL PRICE	INDEX NO.	PART NO.	NAME	USED ON
		69541-78	MAIN WIRING HARNESS (kick start)	Late 78 - FX
		69542-78	MAIN WIRING HARNESS (electric start)	Late 78 & 79 - FX
		69542-80	MAIN WIRING HARNESS (electric start)	80 to * - FX
		69543-78	MAIN WIRING HARNESS (electric start)	Late 78 & 79 - FXS, FXEF, FXS-80, FXEF-80
		69543-80	MAIN WIRING HARNESS (electric start)	80 to * - FXS, FXEF, FXS-80, FXEF-80
1		70069-65A	CABLE, solenoid to starter & battery (2) (electric starter)	71 to * - FX, FXS, FXEF, FXS-80, FXEF-80
8		70079-75	WIRING HARNESS, left handlebar (Buckhorn)	75 to 78 - FX, FXS
9		70086-73	WIRE, starter solenoid to starter relay (FX Kit only - no FXE)	73 to 78 - FX
10		70088-73	WIRE, battery positive to starter relay (FX Kit only - no FXE)	73 to 78 - FX
11		70089-73	WIRE, starter relay mounting to starter motor thru bolt	73 to * - FX, FXS, FXEF, FXS-80, FXEF-80
12		70105-73	WIRE, fusible link (batt. positive to starter relay)	73 to * - FX, FXS, FXEF, FXS-80, FXEF-80
13		70191-73A	WIRE, handlebar ground	Late 73 to * - FX, FXS, FXEF, FXS-80, FXEF-80
		70255-73	MAIN WIRING HARNESS (kick start)	Late 73 - FX
		70255-74	MAIN WIRING HARNESS (kick start)	74 - FX
14		70313-71	BATTERY GROUND CABLE	71 to 78 - FX
		70326-73A	MAIN WIRING HARNESS (electric start) (Early 73 - kick start)	73 & 74 - FX
		70326-75	MAIN WIRING HARNESS (kick start)	75 - FX
		70326-76	MAIN WIRING HARNESS (kick start)	76 & 77 - FX
		70326-78	MAIN WIRING HARNESS (kick start)	Early 78 - FX
		70343-75	MAIN WIRING HARNESS (electric start)	75 - FX
		70343-76	MAIN WIRING HARNESS (electric start)	76 & 77 - FX
		70343-78	MAIN WIRING HARNESS (electric start)	Early 78 - FX
		70353-77	MAIN WIRING HARNESS (electric start)	77 - FXS
		70353-78	MAIN WIRING HARNESS (electric start)	Early 78 - FXS
15		70378-73	WIRE, wiring harness to starter relay center terminal	73 - FX
16		70456-73	WIRE, circuit breaker to coil	71 to * - FX, FXS, FXEF, FXS-80, FXEF-80
17		70461-67	WIRE, battery ground (electric start)	73 to Early 78 - FX, FXS
18		70551-89	CONDUIT, 1/8 I.D. x 10 ft. lg. black vinyl (hi-temp)	71 to * - FX, FXS, FXEF, FXS-80, FXEF-80
		70552-89	CONDUIT, 3/8 I.D. x 10 ft. lg. black vinyl	71 to * - FX, FXS, FXEF, FXS-80, FXEF-80
		70553-89	CONDUIT, 7/16 I.D. x 10 ft. lg. black vinyl	71 to * - FX, FXS, FXEF, FXS-80, FXEF-80
		70554-89	CONDUIT, 1/4 I.D. x 10 ft. lg. black vinyl	71 to * - FX, FXS, FXEF, FXS-80, FXEF-80
		70555-89	CONDUIT, 1/4 I.D. x 10 ft. lg. black vinyl (hi-temp)	71 to * - FX, FXS, FXEF, FXS-80, FXEF-80
		70556-71	CONDUIT, 5/16 I.D. x 10 ft. lg. black vinyl	71 to * - FX, FXS, FXEF, FXS-80, FXEF-80
		70558-71	CONDUIT, 1/2 I.D. x 10 ft. lg. black vinyl	71 to * - FX, FXS, FXEF, FXS-80, FXEF-80
		70559-71	CONDUIT, 1/8 I.D. x 10 ft. lg. black vinyl	71 to * - FX, FXS, FXEF, FXS-80, FXEF-80
		91704-15	BRAIDED CABLE, 16 strand (soft black)	71 to * - FX, FXS, FXEF, FXS-80, FXEF-80

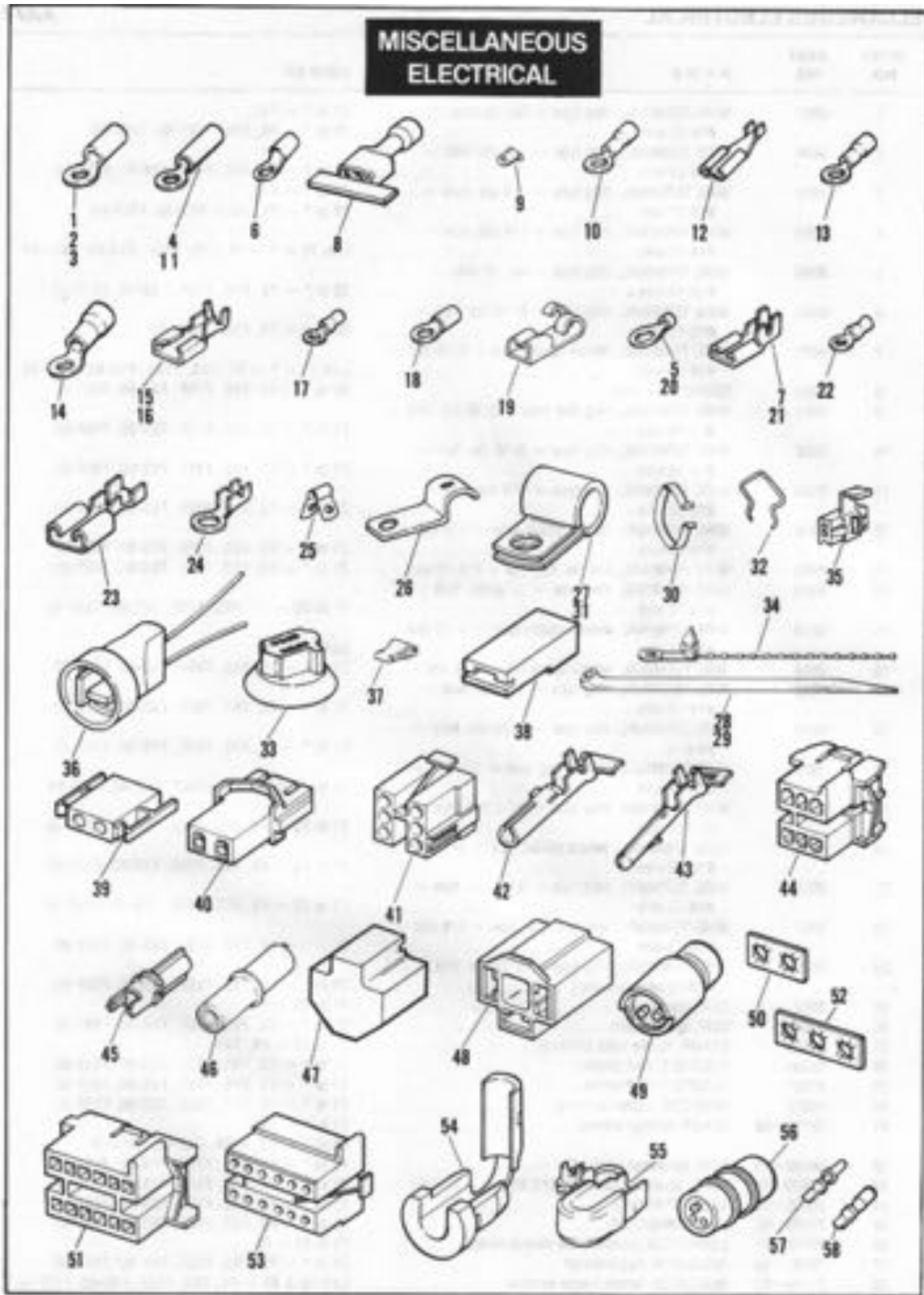
NOTE: Asterisk (*) indicates part is used for latest model year shown on cover.

MISCELLANEOUS ELECTRICAL



RETAIL PRICE	INDEX NO.	PART NO.	N A M E	USED ON
	1	9857	WIRE TERMINAL, ring type — No. 10 hole — #16-22 wire	77 to * — FXS; 78 to * — FX, FXEF, FXS-80, FXEF-80
	2	9858	WIRE TERMINAL, ring type — 1/4 dia. hole — #16-22 wire	77 to * — FX, FXS, FXEF, FXS-80, FXEF-80
	3	9859	WIRE TERMINAL, ring type — 1/4 dia. hole — #16-22 wire	77 to * — FXS; 78 to * — FX, FXEF, FXS-80, FXEF-80
	4	9862	WIRE TERMINAL, ring type — 1/4 dia. hole — #14-16 wire	Late 75 to * — FX, FXS, FXEF, FXS-80, FXEF-80
	5	9866	WIRE TERMINAL, ring type — No. 10 hole — #10-12 wire	78 to * — FX, FXS, FXEF, FXS-80, FXEF-80
	6	9868	WIRE TERMINAL, ring type — 5/16 dia. hole — #10-12 wire	78 to * — FX, FXEF, FXEF-80
	7	9875	WIRE TERMINAL, female spade type — 5/16 slot — #16-22 wire	Late 75 to * — FX, FXS, FXEF, FXS-80, FXEF-80
	8	9900	CONNECTOR, wire	80 to * — FX, FXS, FXEF, FXS-80, FXEF-80
	9	9901	WIRE TERMINAL, ring flag type — 5/32 dia. hole — #14-16 wire	71 to * — FX, FXS, FXEF, FXS-80, FXEF-80
	10	9902	WIRE TERMINAL, ring type — 3/16 dia. hole — #14-16 wire	71 to * — FX, FXS, FXEF, FXS-80, FXEF-80
	11	9903	WIRE TERMINAL, ring type — 1/8 dia. hole — #18-22 wire	71 to * — FX, FXS, FXEF, FXS-80, FXEF-80
	12	9904	WIRE TERMINAL, female spade type — 1/8 slot — #16-20 wire	73 to * — FX, FXS, FXEF, FXS-80, FXEF-80
	13	9905	WIRE TERMINAL, 1/4 dia. cap type — #16-22 wire	71 to * — FX, FXS, FXEF, FXS-80, FXEF-80
	14	9909	WIRE TERMINAL, ring type — 3/16 dia. hole — #10-12 wire	71 to 79 — FX, FXS, FXEF, FXS-80, FXEF-80
	15	9913	WIRE TERMINAL, female spade type — 5/16 slot — #14-16 wire	Early 75 — FX 71 to * — FX, FXS, FXEF, FXS-80, FXEF-80
	16	9914	WIRE TERMINAL, female spade type — 1/4 slot	71 to * — FX, FXS, FXEF, FXS-80, FXEF-80
	17	9918	WIRE TERMINAL, ring type — 1/4 dia. hole — #14-16 wire	71 to * — FX, FXS, FXEF, FXS-80, FXEF-80
	18	9923	WIRE TERMINAL, ring type — 5/16 dia. hole — #8 wire	71 to * — FX, FXS, FXEF, FXS-80, FXEF-80
	19	9925	WIRE TERMINAL, female flag type — 1/4 slot — #16-18 wire	71 to * — FX, FXS, FXEF, FXS-80, FXEF-80
	20	9926	WIRE TERMINAL, ring type — 5/16 dia. hole — #14-16 wire	71 to 79 — FX, FXS, FXEF, FXS-80, FXEF-80
	21	9931	WIRE TERMINAL, female spade type — 3/16 slot — #16-20 wire	71 to 79 — FX, FXS, FXEF, FXS-80, FXEF-80
	22	9932	WIRE TERMINAL, ring type — 3/16 dia. hole — #16-22 wire	71 to 79 — FX, FXS, FXEF, FXS-80, FXEF-80
	23	9937	WIRE TERMINAL, female spade type — 1/4 slot — #14-18 wire	80 to * — FX, FXS, FXEF, FXS-80, FXEF-80
	24	9945	WIRE TERMINAL, ring type — 5/16 dia. hole — #10-12 wire (u-clamp)	71 to * — FX, FXS, FXEF, FXS-80, FXEF-80
	25	9957	CLIP, spark coil	71 to 76 — FX
	26	9960W	CLIP, ignition wire	80 to * — FX, FXS, FXEF, FXS-80, FXEF-80
	27	9990W	CLAMP, starter relay wires (2)	74 to 77 — FX, FXS
	28	10006	PLASTIC STRAP (black)	71 to * — FX, FXS, FXEF, FXS-80, FXEF-80
	29	10007	PLASTIC STRAP (white)	71 to * — FX, FXS, FXEF, FXS-80, FXEF-80
	30	10012	WIRE CLIP, cables to frame	71 to * — FX, FXS, FXEF, FXS-80, FXEF-80
	31	38712-68	CLAMP, wiring harness	77 to * — FXS; 78 to * — FX, FXEF, FXS-80, FXEF-80
	32	56062-73	CLIP, handlebar wires (4)	72 to * — FX, FXS, FXEF, FXS-80, FXEF-80
	33	67839-74	BOOT, headlamp connector (FX kit only — no FXE)	75 to * — FX, FXS, FXEF, FXS-80, FXEF-80
	34	70005-70	CABLE STRAP (2)	71 to * — FX, FXS, FXEF, FXS-80, FXEF-80
	35	70576-68	WIRE CONNECTOR	71 to * — FX, FXS, FXEF, FXS-80, FXEF-80
	36	70578-71	CONNECTOR, transmission neutral switch	71 & 72 — FX
	37	70584-69	INSULATOR, flag terminal	71 to * — FX, FXS, FXEF, FXS-80, FXEF-80
	38	71774-77	INSULATOR, female spade terminal	Late 76 & 79 — FX, FXS, FXEF, FXS-80, FXEF-80

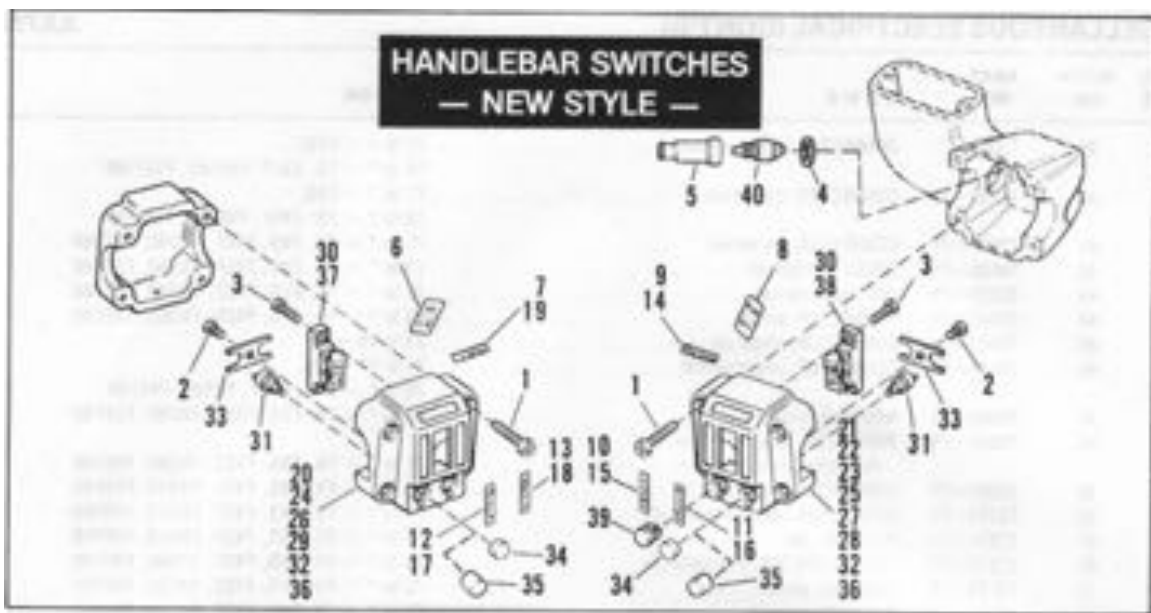
MISCELLANEOUS ELECTRICAL



RETAIL PRICE	INDEX NO.	PART NO.	N A M E	USED ON
	39	72034-71	CONNECTOR, double socket	77 to * - FXS; 78 to * - FX, FXEF, FXS-80, FXEF-80
	40	72035-71	CONNECTOR, double pin	77 to * - FXS; 78 to * - FX, FXEF, FXS-80, FXEF-80
	41	72037-71	CONNECTOR, six socket	75 to * - FX, FXS, FXEF, FXS80, FXEF80
	42	72038-71	SOCKET, single pin	73 to * - FX, FXS, FXEF, FXS80, FXEF80
	43	72039-71	PIN, single socket	73 to * - FX, FXS, FXEF, FXS80, FXEF80
	44	72041-71	CONNECTOR, six pin	75 to * - FX, FXS, FXEF, FXS80, FXEF80
	45	72043-71	CONNECTOR, single pin	73 to 75 - FX
	46	72044-71	CONNECTOR, single socket	71 & 74 - FX; 79 to * - FXS, FXEF, FXS80, FXEF80
	47	72046-79	HOUSING, socket	80 to * - FX, FXS, FXEF, FXS80, FXEF80
	48	72047-71	INSULATOR, spade terminal - headlamp wiring harness	75 to * - FX, FXS, FXEF, FXS80, FXEF80
	49	72051-77	CONNECTOR, three socket	80 to * - FX, FXS, FXEF, FXS80, FXEF80
	50	72275-74	CONNECTOR TAB, 2 terminal (5)	75 to * - FX, FXS, FXEF, FXS80, FXEF80
	51	72276-74	HOUSING, pin	75 to * - FX, FXS, FXEF, FXS80, FXEF80
	52	72277-74	CONNECTOR TAB, 3 terminal (2)	75 to * - FX, FXS, FXEF, FXS80, FXEF80
	53	72278-74	HOUSING, socket	75 to * - FX, FXS, FXEF, FXS80, FXEF80
	54	72501-74	BUSHING, straight	75 to * - FX, FXS, FXEF, FXS80, FXEF80
	55	72502-74	BUSHING, right angle	75 to * - FX, FXS, FXEF, FXS80, FXEF80
	56	74521-77	CONNECTOR, pin and socket	80 to * - FX, FXS, FXEF, FXS80, FXEF80
	57	74536-77	SOCKET, single pin	80 to * - FX, FXS, FXEF, FXS80, FXEF80
	58	74539-77	PIN, single socket	80 to * - FX, FXS, FXEF, FXS80, FXEF80

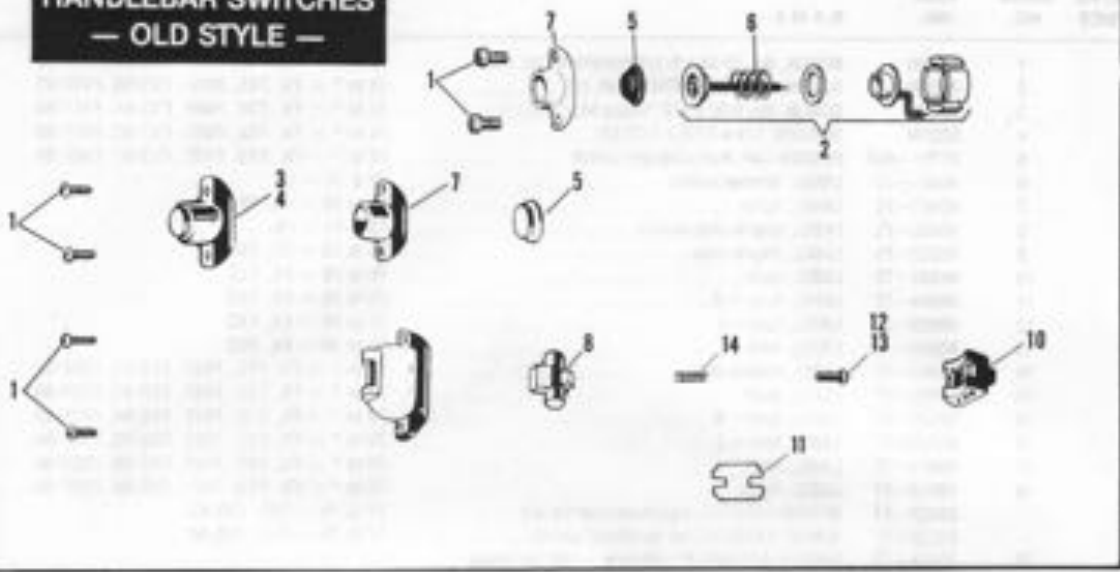
NOTE: Asterisk (*) indicates part is used for latest model year shown on cover.

HANDLEBAR SWITCHES — NEW STYLE —



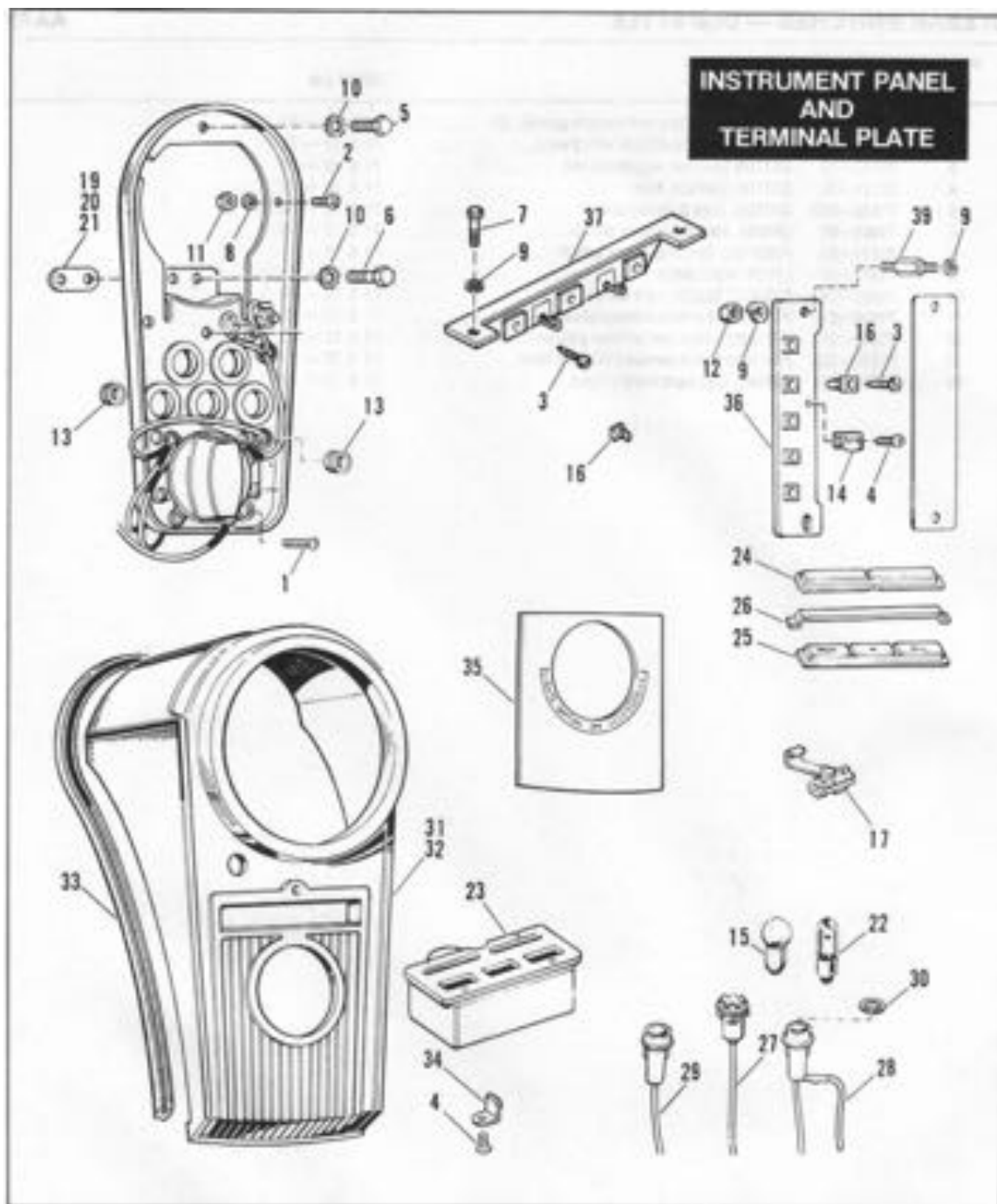
RETAIL PRICE	INDEX NO.	PART NO.	NAME	USED ON
	1	2695W	SCREW, No. 10-24 x 1-1/8 Pozidriv fl. hd. (8)	73 to * — FX, FXS, FXEF, FXS-80, FXEF-80
	2	2803W	SCREW, No. 6-32 x 1 Phillips hd. (2)	73 to * — FX, FXS, FXEF, FXS-80, FXEF-80
	3	2804W	SCREW, No. 6-32 x 1/2 Phillips hd. (2)	73 to * — FX, FXS, FXEF, FXS-80, FXEF-80
	4	6220W	WASHER, 1/4 x 7/16 x 1/32 (2)	73 to * — FX, FXS, FXEF, FXS-80, FXEF-80
	5	27751-69P	RUBBER CAP, front stoplight switch	72 to * — FX, FXS, FXEF, FXS-80, FXEF-80
	6	46901-73	LABEL, dimmer switch	73 & 74 — FX
	7	46901-75	LABEL, lights	75 to 78 — FX, FXS
	8	46902-73	LABEL, engine stop switch	73 & 74 — FX
	9	46902-75	LABEL, engine stop	75 to 78 — FX, FXS
	10	46903-75	LABEL, start	75 to 78 — FX, FXS
	11	46904-75	LABEL, turn — R	75 to 78 — FX, FXS
	12	46905-75	LABEL, turn — L	75 to 78 — FX, FXS
	13	46906-75	LABEL, horn	75 to 78 — FX, FXS
	14	46907-77	LABEL, engine stop	79 to * — FX, FXS, FXEF, FXS-80, FXEF-80
	15	46908-77	LABEL, start	79 to * — FX, FXS, FXEF, FXS-80, FXEF-80
	16	46909-77	LABEL, turn — R	79 to * — FX, FXS, FXEF, FXS-80, FXEF-80
	17	46910-77	LABEL, turn — L	79 to * — FX, FXS, FXEF, FXS-80, FXEF-80
	18	46911-77	LABEL, horn	79 to * — FX, FXS, FXEF, FXS-80, FXEF-80
	19	46912-77	LABEL, lights	79 to * — FX, FXS, FXEF, FXS-80, FXEF-80
		69537-77	WIRING HARNESS, right handlebar switch	77 to 79 — FXS, FXS-80
		69538-77	WIRING HARNESS, left handlebar switch	77 to 79 — FXS, FXS-80
	20	70044-77	SWITCH ASSEMBLY, complete — left handlebar (w/dir.)	77 & 78 — FXS
	21	70052-73A	SWITCH ASSEMBLY, complete — right handlebar (w/dir.) (elect. start)	73 to 78 — FX
	22	70055-77	SWITCH ASSEMBLY, complete — right handlebar (w/dir.) (elect. start)	77 & 78 — FXS
		70064-73	WIRING HARNESS, left handlebar switch	73 & 74 — FX
	23	70066-73A	SWITCH ASSEMBLY, complete — right handlebar (w/dir.)	Late 73 to 78 — FX
	24	70067-73A	SWITCH ASSEMBLY, complete — left handlebar (w/dir.)	Late 73 to 78 — FX
		70078-75	WIRING HARNESS, right handlebar switch	75 to 78 — FX
		70079-75	WIRING HARNESS, left handlebar switch	75 to 78 — FX
	25	70122-73	SWITCH ASSEMBLY, complete — right handlebar (w/o dir.)	Early 73 — FX
		70166-79	WIRING HARNESS, right handlebar switch	79 to * — FX, FXEF, FXEF-80; 80 to * — FXS, FXS-80
		70170-79	WIRING HARNESS, left handlebar switch	79 to * — FX, FXEF, FXEF-80; 80 to * — FXS, FXS-80
		70176-73	WIRING HARNESS, right handlebar switch (w/dir.)	73 & 74 — FX
	26	70182-79	SWITCH ASSEMBLY, complete — left handlebar (black) (w/dir.)	79 to * — FX, FXEF, FXEF-80
	27	70234-79	SWITCH ASSEMBLY, complete — right handlebar (black) (w/dir.)	79 to * — FX, FXEF, FXEF-80
	28	70240-79	SWITCH ASSEMBLY, complete — right handlebar (w/dir.)	79 to * — FXS, FXS-80
	29	70241-79	SWITCH ASSEMBLY, complete — left handlebar (w/dir.)	79 to * — FXS, FXS-80
	30	71483-72	ROCKER SWITCH (2)	73 & 74 — FX
	31	71484-72	BUTTON SWITCHES (4)	73 to * — FX, FXS, FXEF, FXS-80, FXEF-80
	32	71519-75	HOUSING, handlebar switches (vertical rocker switch) (black) (2)	79 to * — FX, FXS, FXEF, FXS-80, FXEF-80
	33	71533-72	RETAINER, button switches (2)	73 to * — FX, FXS, FXEF, FXS-80, FXEF-80
	34	71534-72	BUTTON CAP, switch — short (2)	73 to * — FX, FXS, FXEF, FXS-80, FXEF-80
	35	71535-72	BUTTON CAP, switch — long (2)	Early 73 — FX
	36	71539-73B	HOUSING, handlebar switches (vertical rocker switch) (polished) (2)	73 to 78 — FX, FXS
	37	71546-75	ROCKER SWITCH (HI — LOW)	75 to * — FX, FXS, FXEF, FXS-80, FXEF-80
	38	71547-75	ROCKER SWITCH (RUN — OFF)	75 to * — FX, FXS, FXEF, FXS-80, FXEF-80
	39	71559-73	PLUG, handlebar switch hole	Early 73 — FX; 75 to 78 — FX
	40	72001-69B	STOPLIGHT SWITCH, front brake	73 to * — FX, FXS, FXEF, FXS-80, FXEF-80

HANDLEBAR SWITCHES — OLD STYLE —

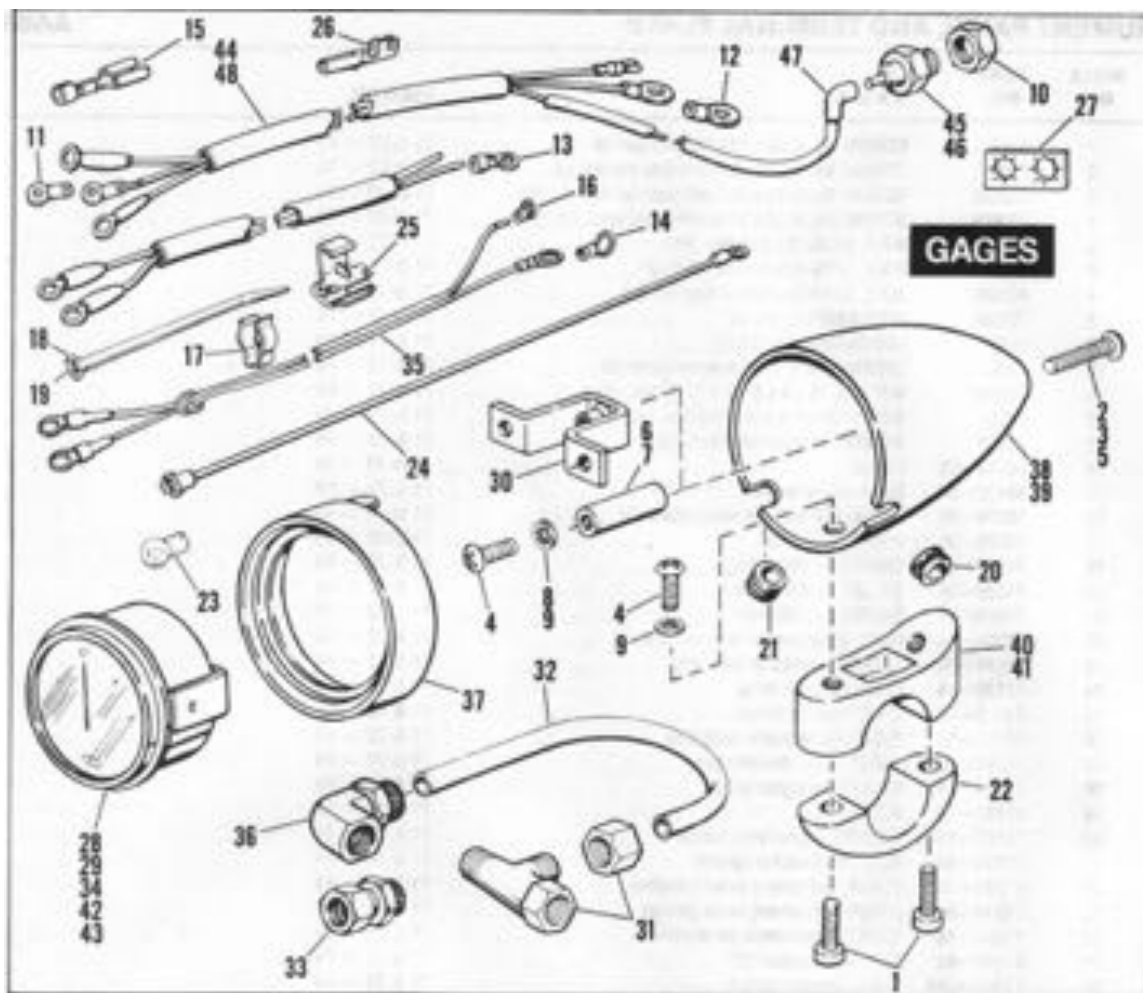


RETAIL PRICE	INDEX NO.	PART NO.	N A M E	USED ON
	1	2594	SCREW, No. 6-32 x 1/4 Pozidriv pan hd. (2)	71 & 72 — FX
	2	70059-66	BUTTON SWITCH REPAIR KIT (2 wire)	71 & 72 — FX
	3	70120-70	BUTTON SWITCH, engine cut-out	71 & 72 — FX
	4	70121-70	BUTTON SWITCH, horn	71 & 72 — FX
	5	71802-25A	BUTTON, horn & starter switch	71 & 72 — FX
	6	71804-65	SPRING, horn and starter switch	71 & 72 — FX
	7	71811-26	HOUSING, horn and starter switch	71 & 72 — FX
	8	71843-29	LEVER, light switch	71 & 72 — FX
	9	71851-29	CONTACT BLOCK, light switch	71 & 72 — FX
	11	71856-61	PLATE, light switch contact retainer block	71 & 72 — FX
	12	71859-29	PIN, light switch contact (two position)	71 & 72 — FX
	13	71859-38A	PIN, light switch contact (three position)	71 & 72 — FX
	14	71861-29	SPRING, light switch contact pin	71 & 72 — FX



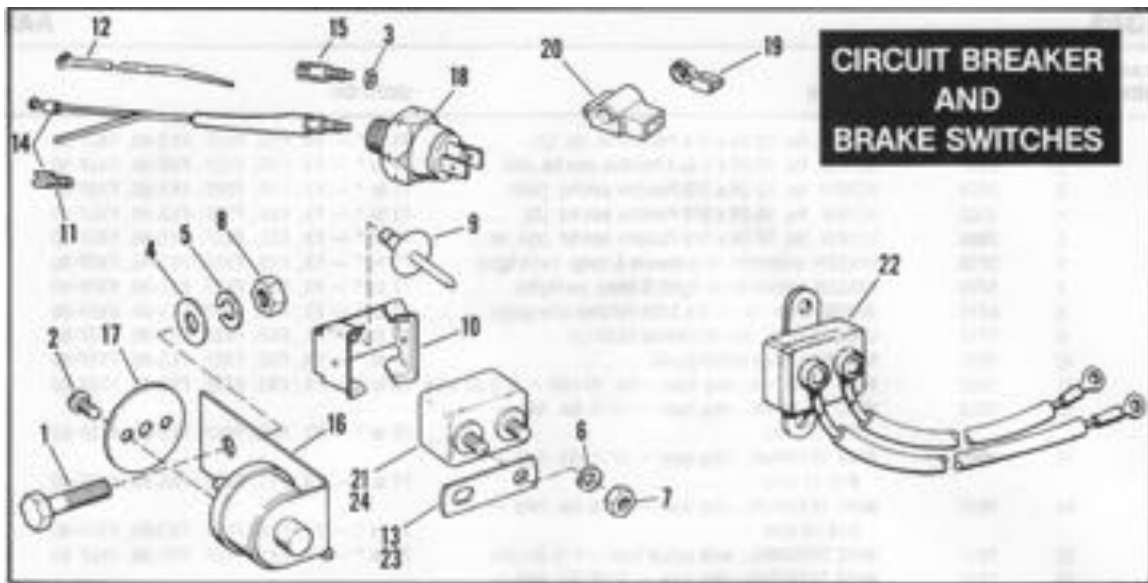


RETAIL PRICE	INDEX NO.	PART NO.	N A M E	USED ON
	1	2589	SCREW, No. 6-32 x 1/4 Pozidriv pan hd.	71 & 72 - FX
	2	2598	SCREW, No. 12-24 x 3/8 Pozidriv pan hd. (2)	71 & 72 - FX
	3	2623W	SCREW, No. 8-15 x 5/8 self-tapping pan hd. (10)	71 to 77 - FX
	4	2630W	SCREW, No. 8-32 x 5/16 self-tapping rt. hd. (2)	71 to 77 - FX
	5	2682W	BOLT, 5/16-18 x 5/8 hex. hd.	71 & 72 - FX
	6	3987	BOLT, 5/16-18 x 3/4 hex. hd. (2)	71 & 72 - FX
	7	4014W	BOLT, 5/16-24 x 1-1/4 hex. hd. (2)	71 to 74 - FX
	8	7030W	LOCKWASHER, No. 12	71 & 72 - FX
	9	7041	LOCKWASHER, 5/16 (2)	71 to 77 - FX
	10	7232	LOCKWASHER, 5/16 external tooth (3)	71 & 72 - FX
	11	7654W	NUT, No. 12-24 x 5/32 x 7/16 hex. (2)	71 & 72 - FX
	12	7753	NUT, 5/16-24 x 1/4 x 1/2 hex. (2)	71 to 77 - FX
	13	11430	GROMMET, instrument panel (2)	71 & 72 - FX
	14	38712-68	CLAMP	71 to 77 - FX
	15	68462-64	BULB, signal lamps - 12 V. (3)	71 & 72 - FX
	16	70574-68	EXPANSION NUT, terminal board (5)	71 to 77 - FX
	17	70576-68	WIRE CONNECTOR	71 to 77 - FX
	19	71027-68	SPACER - .030 thick	71 & 72 - FX
	20	71028-68	SPACER - .060 thick	71 & 72 - FX
	21	71029-68	SPACER - .120 thick	71 & 72 - FX
	22	71090-64	BULB, speedometer lamp - 12 V.	71 & 72 - FX
	23	71134-68	SUPPORT, indicator lamp lens	71 & 72 - FX
	24	71138-68	LENS, direction lamp	71 & 72 - FX
	25	71139-70	LENS, warning lamps	71 & 72 - FX
	26	71141-68	RETAINER, indicator lamp lens	71 & 72 - FX
	27	71151-70	SOCKET, speedometer lamp	71 & 72 - FX
	28	71181-70	SOCKET, oil signal lamp	71 & 72 - FX
	29	71182-70	SOCKET (4)	71 & 72 - FX
	30	71182-47A	WASHER, signal lamp socket	71 & 72 - FX
		71190-47	WIRE, lamp socket (green)	71 & 72 - FX
	31	71241-68B	COVER, instrument panel (chrome)	71 & 72 - FX
	32	71244-68B	COVER, instrument panel (prime)	71 & 72 - FX
	33	71295-68	GASKET, instrument panel cover	71 & 72 - FX
	34	71297-68	CLIP, lens support (2)	71 & 72 - FX
	35	71300-68A	PLATE, ignition switch	71 & 72 - FX
	36	72300-70	TERMINAL PLATE	71 to 77 - FX
	37	72303-70	TERMINAL PLATE, complete	71 to 74 - FX
	39	72341-56A	STUD, terminal box and terminal plate (2)	71 to 77 - FX



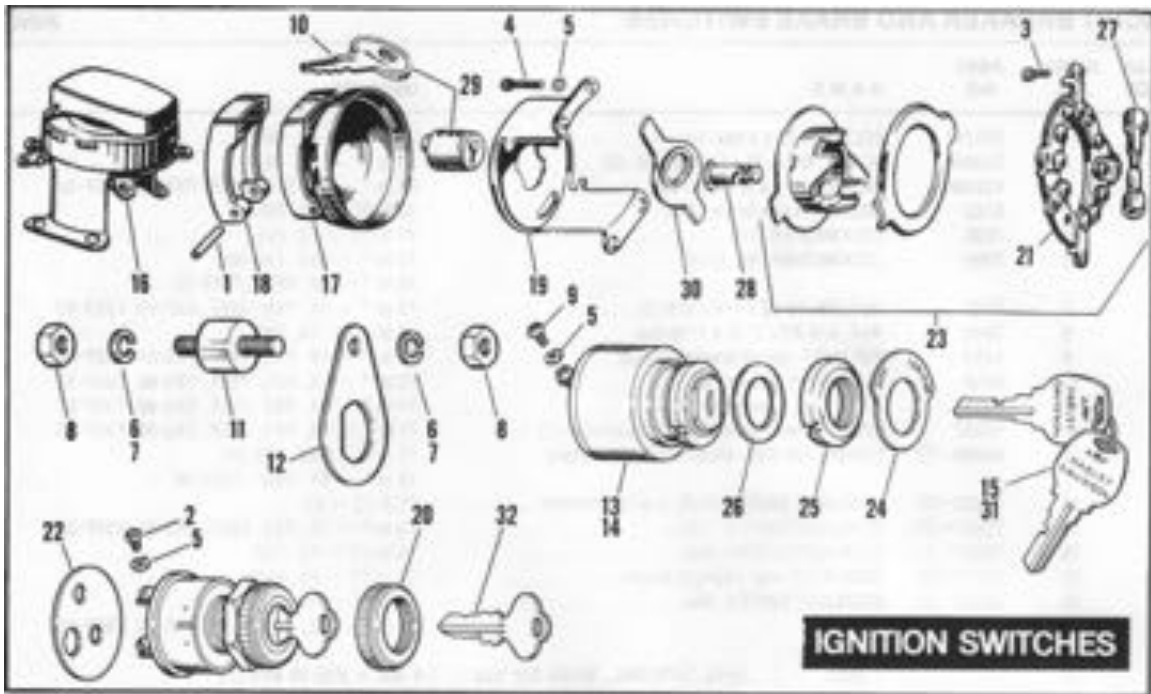
RETAIL PRICE	INDEX NO.	PART NO.	NAME	USED ON
	1	1205	SCREW, No. 10-24 x 3/4 Pozidriv fl. hd. (2)	71 to * — FX, FXS, FXEF, FXS-80, FXEF-80
	2	2591	SCREW, No. 10-32 x 1-3/4 Pozidriv pan hd. (oil)	71 to * — FX, FXS, FXEF, FXS-80, FXEF-80
	3	2659	SCREW, No. 10-24 x 7/8 Pozidriv pan hd. (volt)	71 to * — FX, FXS, FXEF, FXS-80, FXEF-80
	4	2660	SCREW, No. 10-24 x 3/8 Pozidriv pan hd. (3)	71 to * — FX, FXS, FXEF, FXS-80, FXEF-80
	5	2665	SCREW, No. 10-24 x 5/8 Pozidriv pan hd. (cyl. hd.)	71 to * — FX, FXS, FXEF, FXS-80, FXEF-80
	6	5708	SPACER, voltmeter, oil pressure & temp. (w/o light)	71 to * — FX, FXS, FXEF, FXS-80, FXEF-80
	7	5709	SPACER, voltmeter (w/light) & temp. (w/light)	77 to * — FX, FXS, FXEF, FXS-80, FXEF-80
	8	6716	WASHER, No. 10 x 1/2 x 3/64 (oil pressure gage)	77 to * — FX, FXS, FXEF, FXS-80, FXEF-80
	9	7118	LOCKWASHER, No. 10 internal tooth (3)	71 to * — FX, FXS, FXEF, FXS-80, FXEF-80
	10	7692	NUT, temp gage sending unit	71 to * — FX, FXS, FXEF, FXS-80, FXEF-80
	11	9857	WIRE TERMINAL, ring type — No. 10 hole — #16-22 wire	79 to * — FX, FXS, FXEF, FXS-80, FXEF-80
	12	9859	WIRE TERMINAL, ring type — 5/16 dia. hole — #16-22 wire	79 to * — FX, FXS, FXEF, FXS-80, FXEF-80
	13	9909	WIRE TERMINAL, ring type — 3/16 dia. hole — #10-12 wire	71 to * — FX, FXS, FXEF, FXS-80, FXEF-80
	14	9926	WIRE TERMINAL, ring type — 5/16 dia. hole — #14-16 wire	71 to * — FX, FXS, FXEF, FXS-80, FXEF-80
	15	9931	WIRE TERMINAL, male spade type — #16-20 wire	71 to * — FX, FXS, FXEF, FXS-80, FXEF-80
	16	9932	WIRE TERMINAL, ring type — 3/16 dia. hole — #18-22 wire	71 to 78 — FX, FXS
	17	9976	SPRING CLIP (2)	71 to * — FX, FXS, FXEF, FXS-80, FXEF-80
	18	10006	CABLE STRAP	71 to * — FX, FXS, FXEF, FXS-80, FXEF-80
	19	10007	CABLE STRAP	75 to * — FX, FXS, FXEF, FXS-80, FXEF-80
	20	11400	GROMMET	71 to * — FX, FXS, FXEF, FXS-80, FXEF-80
	21	11405	GROMMET, oil line	71 to 78 — FX, FXS
	22	45030—65A	HANDLEBAR CLAMP	71 to * — FX, FXS, FXEF, FXS-80, FXEF-80
	23	68462—64	BULB, gages with light socket	77 to * — FX, FXS, FXEF, FXS-80, FXEF-80
	24	69540—78	SOCKET AND WIRE, new style gages	77 to * — FX, FXS, FXEF, FXS-80, FXEF-80
	25	70576—68	CONNECTOR	71 to * — FX, FXS, FXEF, FXS-80, FXEF-80
	26	72038—71	WIRE TERMINAL, socket type	75 to * — FX, FXS, FXEF, FXS-80, FXEF-80
	27	72275—74	CONNECTOR TAB — 2 terminal	75 to * — FX, FXS, FXEF, FXS-80, FXEF-80
		74400—68A	OIL PRESSURE GAGE (WITH LIGHT) KIT	71 to * — FX, FXS, FXEF, FXS-80, FXEF-80
	28	74410—68	OIL PRESSURE GAGE, only	71 to * — FX, FXS, FXEF, FXS-80, FXEF-80
	29	74410—77	OIL PRESSURE GAGE, with light	77 to * — FX, FXS, FXEF, FXS-80, FXEF-80
	30	74414—68	MOUNTING BRACKET, lever	71 to * — FX, FXS, FXEF, FXS-80, FXEF-80
	31	74422—68	TEE, pressure gage	71 to * — FX, FXS, FXEF, FXS-80, FXEF-80
	32	74425—68	HOSE, pressure gage	71 to * — FX, FXS, FXEF, FXS-80, FXEF-80
	33	74427—68	CONNECTOR, pressure gage hose	71 to 79 — FX, FXS, FXEF, FXS-80, FXEF-80
		74430—70B	VOLTMETER KIT (with light)	71 to * — FX, FXS, FXEF, FXS-80, FXEF-80
	34	74432—70B	VOLTMETER, with light and spacer	71 to * — FX, FXS, FXEF, FXS-80, FXEF-80
	35	74433—70	CABLE ASSEMBLY, voltmeter	71 to * — FX, FXS, FXEF, FXS-80, FXEF-80
	36	74442—68	ELBOW, oil pressure gage	77 to * — FX, FXS, FXEF, FXS-80, FXEF-80
	37	74472—68	HOUSING RING	71 to * — FX, FXS, FXEF, FXS-80, FXEF-80
	38	74479—68	HOUSING, temperature gage (w/o light)	71 to * — FX, FXS, FXEF, FXS-80, FXEF-80
	39	74480—65	HOUSING, voltmeter, oil pressure & temp. gage (w/light)	71 to * — FX, FXS, FXEF, FXS-80, FXEF-80
	40	74484—68	MOUNTING BRACKET, temperature gage (w/o light)	71 to * — FX, FXS, FXEF, FXS-80, FXEF-80
	41	74485—68	MOUNTING BRACKET, voltmeter, oil pressure & temp. gage (w/light)	71 to * — FX, FXS, FXEF, FXS-80, FXEF-80
		75000—69A	CYLINDER HEAD TEMP. GAGE KIT	71 to * — FX, FXS, FXEF, FXS-80, FXEF-80
	42	75002—69A	TEMPERATURE GAGE, with light sending unit & spacer	71 to * — FX, FXS, FXEF, FXS-80, FXEF-80
	43	75002—77	TEMPERATURE GAGE, with light	77 to * — FX, FXS, FXEF, FXS-80, FXEF-80
	44	75003—69	CABLE ASSEMBLY, temperature gage — complete	71 to 78 — FX, FXS
	45	75005—69	SENDING UNIT, temperature gage	71 to * — FX, FXS, FXEF, FXS-80, FXEF-80
	46	75005—77	SENDING UNIT, temperature gage with light	77 to * — FX, FXS, FXEF, FXS-80, FXEF-80
	47	75006—69	DISCONNECT CABLE, only, temperature gage	71 to * — FX, FXS, FXEF, FXS-80, FXEF-80
	48	75010—79	CABLE ASSEMBLY, temperature gage — complete	79 to * — FX, FXS, FXEF, FXS-80, FXEF-80

NOTE: Asterisk (*) indicates part is used for latest model year shown on cover.



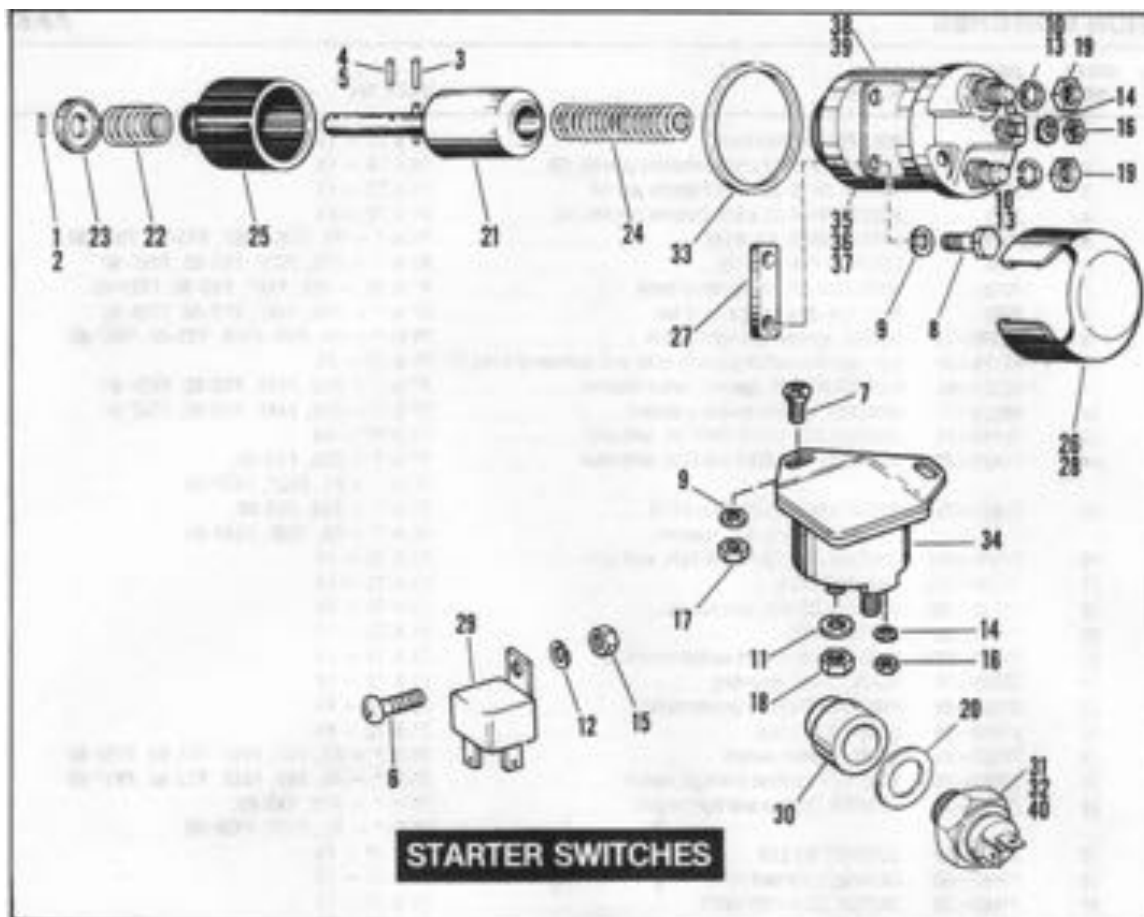
RETAIL PRICE	INDEX NO.	PART NO.	NAME	USED ON
	1	2551W	BOLT, 1/4-20 x 1 hex. hd.	73 to 77 — FX, FXS
	2	2636W	SCREW, No. 8-32 x 5/16 rd. hd. (2)	73 to 77 — FX, FXS
	3	6220W	WASHER, 1/4 x 7/16 x 1/32	80 to * — FX, FXS, FXEF, FXS-80, FXEF-80
	4	6703	WASHER, 1/4 x 5/8 x 1/16	73 to 77 — FX, FXS
	5	7006	LOCKWASHER, 1/4	73 to 77 — FX, FXS
	6	7069	LOCKWASHER, No. 10 (6)	77 to * — FXS, FXS-80; 78 to * — FX, FXEF, FXEF-80
	7	7638	NUT, No. 10-32 x 1/8 x 3/8 (6)	73 to * — FX, FXS, FXEF, FXS-80, FXEF-80
	8	7688	NUT, 1/4-20 x 7/32 x 7/16 hex.	73 to 77 — FX, FXS
	9	8483	POP RIVET, circuit breaker clip (3)	73 to * — FX, FXS, FXEF, FXS-80, FXEF-80
	10	9952	CLIP, circuit breaker (3)	73 to * — FX, FXS, FXEF, FXS-80, FXEF-80
	11	9931	TERMINAL, brake light switch	71 to * — FX, FXS, FXEF, FXS-80, FXEF-80
	12	10007	CABLE STRAP, switch cable to handlebar (2)	71 to * — FX, FXS, FXEF, FXS-80, FXEF-80
	13	69999-77	CONNECTOR BAR, circuit breaker to battery	77 to * — FXS, FXS-80; 78 to * — FX, FXEF, FXEF-80
	14	71900-70	STOPLIGHT SWITCH, front — with terminals	71 & 72 — FX
	15	72001-66B	STOPLIGHT SWITCH, front	73 to * — FX, FXS, FXEF, FXS-80, FXEF-80
	16	72005-73A	STOPLIGHT SWITCH, rear	73 to 77 — FX, FXS
	17	72015-39	INSULATOR, rear stoplight switch	73 to 77 — FX, FXS
	18	72023-51	STOPLIGHT SWITCH, rear	71 & 72 — FX; 78 to * — FX, FXS, FXEF, FXS-80, FXEF-80
			Includes:	
	19	9925	WIRE TERMINAL, female flag type — 1/4 slot — #16-18 wire (2)	
	20	70584-6R	INSULATOR, flag terminal (2)	
	21	74589-73	CIRCUIT BREAKER (3)	73 to * — FX, FXS, FXEF, FXS-80, FXEF-80
	22	74594-71	CIRCUIT BREAKER, only	71 & 72 — FX
	23	74598-73	CONNECTOR BAR, ignition and accessory circuit breakers	73 to * — FX, FXS, FXEF, FXS-80, FXEF-80
	24	74599-77	CIRCUIT BREAKER, battery	77 to * — FXS, FXS-80; 78 to * — FX, FXEF, FXEF-80

NOTE: Asterisk (*) indicates part is used for latest model year shown on cover.



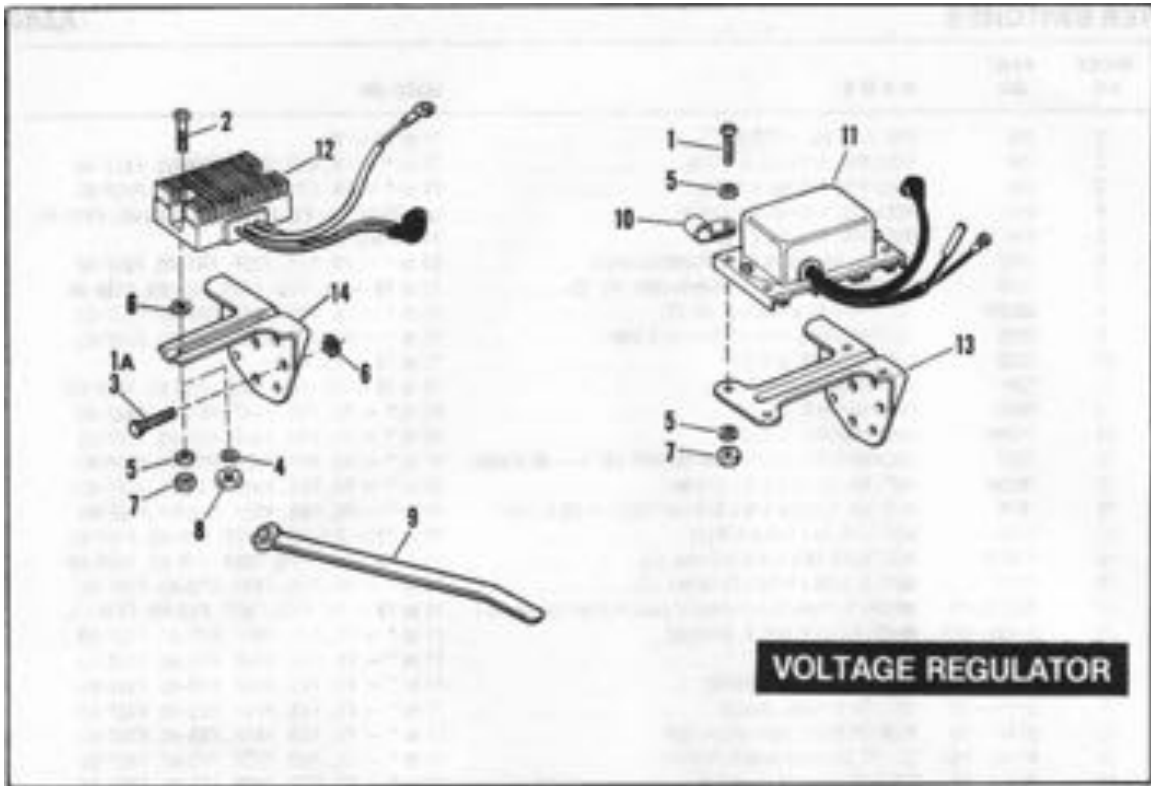
RETAIL PRICE	INDEX NO.	PART NO.	N A M E	USED ON
	1	612	ROLL PIN, keyhole cover	71 & 72 — FX
	2	2585	SCREW, No. 8-32 x 5/16 Pozidriv pan hd. (3)	73 & 74 — FX
	3	2589	SCREW, No. 6-32 x 1/4 Pozidriv pan hd.	71 & 72 — FX
	4	2625	SCREW, No. 8-32 x 5/8 Pozidriv pan hd. (4)	71 & 72 — FX
	5	7015	LOCKWASHER, No. 8 (4)	71 to * — FX, FXS, FXEF, FXS-80, FXEF-80
	6	7036	LOCKWASHER, 1/4 (2)	80 to * — FXS, FXEF, FXS-80, FXEF-80
	7	7230	LOCKWASHER, 1/4 external tooth	77 to 79 — FXS, FXEF, FXS-80, FXEF-80
	8	7688	NUT, 1/4-20 x 7/32 x 7/16 hex	77 to * — FXS, FXEF, FXS-80, FXEF-80
	9	45998-73	SCREW, ignition and light switch	75 to * — FX, FXS, FXEF, FXS-80, FXEF-80
	10	48155-30	KEY, ignition switch (specify letter and number of lock) (2)	71 & 72 — FX
	11	62563-65	RUBBER MOUNT, ignition switch bracket	77 to * — FXS, FXEF, FXS-80, FXEF-80
	12	69024-77	BRACKET, ignition switch (painted)	77 to * — FXS, FXEF, FXS-80, FXEF-80
	13	70124-75	IGNITION AND LIGHT SWITCH, with keys	73 to 77 — FX
	14	71425-77	IGNITION AND LIGHT SWITCH, with keys	77 to * — FXS, FXS-80; 78 to * — FX, FXEF, FXEF-80
	15	71451-78	SET OF IGNITION SWITCH KEYS	77 to * — FXS, FXS-80; 78 to * — FX, FXEF, FXEF-80
			(specify lock or key number)	
	16	71500-38A	IGNITION AND LIGHT SWITCH, with lock	71 & 72 — FX
	17	71506-38A	SWITCH COVER	71 & 72 — FX
	18	71510-38A	KEYHOLE COVER, with roll pin	71 & 72 — FX
	19	71516-38	SWITCH BASE	71 & 72 — FX
	20	71524-59A	NUT, ignition — light switch mounting	73 & 74 — FX
	21	71525-38	PLATE, switch mounting	71 & 72 — FX
	22	71530-86	INSULATING DISC, ignition switch	73 & 74 — FX
	23	71550-38	CONTACT HOLDER	71 & 72 — FX
	24	71550-75	LABEL, ignition switch	75 to * — FX, FXS, FXEF, FXS-80, FXEF-80
	25	71552-75	FACE NUT, ignition and light switch	73 to * — FX, FXS, FXEF, FXS-80, FXEF-80
	26	71554-75	WASHER, ignition and light switch	77 to * — FXS, FXS-80; 78 to * — FX, FXEF, FXEF-80
	27	71560-36	CONTACT ROLLER	71 & 72 — FX
	28	71562-36	RETAINER, contact roller	71 & 72 — FX
	29	71580-36	SWITCH LOCK AND KEYS	71 & 72 — FX
	30	71587-36	PLATE, switch lock	71 & 72 — FX
	31	71623-75	SET OF IGNITION SWITCH KEYS	75 to 77 — FX
			(specify lock or key number)	
	32	71626-59	KEY, ignition switch (specify lock or key number)	73 & 74 — FX
			(71500-59A switch)	

NOTE: Asterisk (*) indicates part is used for latest model year shown on cover.



RETAIL PRICE	INDEX NO.	PART NO.	N A M E	USED ON
	1	255	PIN, 7/64 dia. x 1/2 lg.	71 to 76 — FX
	2	256	ROLL PIN, 7/64 dia. x 1/2 lg.	77 to * — FX, FXS, FXEF, FXS-80, FXEF-80
	3	600	ROLL PIN, 1/8 dia. x 1/2 lg.	71 to * — FX, FXS, FXEF, FXS-80, FXEF-80
	4	613	ROLL PIN, 1/8 dia. x 1-1/4 lg.	Late 75 to * — FX, FXS, FXEF, FXS-80, FXEF-80
	5	614	ROLL PIN, 1/8 dia. x 1 lg.	71 to Early 79 — FX
	6	2592	SCREW, No. 10-24 x 1/2 Pozidriv pan hd.	80 to * — FX, FXS, FXEF, FXS-80, FXEF-80
	7	2816	SCREW, 1/4-20 x 1/2 Pozidriv ctsk. hd. (2)	73 to 79 — FX, FXS, FXEF, FXS-80, FXEF-80
	8	3802W	BOLT, 1/4-20 x 7/8 hex. hd. (2)	71 to * — FX, FXS, FXEF, FXS-80, FXEF-80
	9	7036	LOCKWASHER, 1/4 (4) (2 — 80 & later)	71 to * — FX, FXS, FXEF, FXS-80, FXEF-80
	10	7038	LOCKWASHER, 3/8 (2)	71 to 78 — FX, FXS
	11	7041	LOCKWASHER, 5/16 (2)	73 to 79 — FX, FXS, FXEF, FXS-80, FXEF-80
	12	7069	LOCKWASHER, No. 10	80 to * — FX, FXS, FXEF, FXS-80, FXEF-80
	13	7130W	LOCKWASHER, 3/8 (2)	79 to * — FX, FXS, FXEF, FXS-80, FXEF-80
	14	7220	LOCKWASHER, No. 10 external tooth (3) (1 — 80 & later)	71 to * — FX, FXS, FXEF, FXS-80, FXEF-80
	15	7620W	NUT, No. 10-24 x 1/8 x 3/8 hex.	80 to * — FX, FXS, FXEF, FXS-80, FXEF-80
	16	7636	NUT, No. 10-32 x 1/8 x 3/8 hex. (3) (1 — 80 & later)	71 to * — FX, FXS, FXEF, FXS-80, FXEF-80
	17	7688	NUT, 1/4-20 x 1/4 x 1/2 (2)	73 to 79 — FX, FXS, FXEF, FXS-80, FXEF-80
	18	7748W	NUT, 5/16-18 x 1/4 x 1/2 hex. (2)	73 to 79 — FX, FXS, FXEF, FXS-80, FXEF-80
	19	7783	NUT, 3/8-16 x 5/16 x 9/16 hex. (2)	71 to * — FX, FXS, FXEF, FXS-80, FXEF-80
	20	25811-11	WASHER, transmission neutral switch (fiber) (as req'd.)	71 to 79 — FX, FXS, FXEF, FXS-80, FXEF-80
	21	31435-65A	PLUNGER ASSEMBLY, solenoid	71 to * — FX, FXS, FXEF, FXS-80, FXEF-80
	22	31438-65A	OVER-RUN SPRING	71 to * — FX, FXS, FXEF, FXS-80, FXEF-80
	23	31439-65	RETAINER, over-run spring	71 to * — FX, FXS, FXEF, FXS-80, FXEF-80
	24	31440-65	RETURN SPRING, plunger	71 to * — FX, FXS, FXEF, FXS-80, FXEF-80
	25	31441-65	RUBBER BOOT, solenoid plunger	71 to * — FX, FXS, FXEF, FXS-80, FXEF-80
	26	31444-65A	COVER, solenoid switch (rubber)	71 to * — FX, FXS, FXEF, FXS-80, FXEF-80
	27	31452-65	SPACER, solenoid mounting	71 to * — FX, FXS, FXEF, FXS-80, FXEF-80
	28	31475-77	COVER, solenoid switch (black)	77 to * — FXS, FXS-80
	29	31506-79	STARTER RELAY	80 to * — FX, FXS, FXEF, FXS-80, FXEF-80
	30	33198-79	BUSHING, neutral switch	Late 79 to * — FX, FXS, FXEF, FXS-80, FXEF-80
	31	33900-59	TRANSMISSION NEUTRAL SWITCH	Late 73 to Early 79 — FX, FXS, FXEF, FXS-80, FXEF-80
	32	33901-79	TRANSMISSION NEUTRAL SWITCH	Late 79 to * — FX, FXS, FXEF, FXS-80, FXEF-80
	33	60845-65	GASKET, solenoid mounting	71 to * — FX, FXS, FXEF, FXS-80, FXEF-80
	34	71463-73	STARTER RELAY	73 to 79 — FX, FXS, FXEF, FXS-80, FXEF-80
	35	71465-65	TERMINAL STUD KIT, starter solenoid	Late 79 to * — FX, FXS, FXEF, FXS-80, FXEF-80
	36	71466-65	SOLENOID INNER PLUNGER	Late 79 to * — FX, FXS, FXEF, FXS-80, FXEF-80
	37	71467-65	COVER GASKET, starter solenoid	Late 79 to * — FX, FXS, FXEF, FXS-80, FXEF-80
	38	71469-65	STARTER SOLENOID SWITCH	71 to * — FX, FXEF, FXEF-80
	39	71473-77	STARTER SOLENOID SWITCH (painted)	77 to * — FXS, FXS-80
	40	71507-71	TRANSMISSION NEUTRAL SWITCH	71 to Early 73 — FX

NOTE: Asterisk (*) indicates part is used for latest model year shown on cover.



RETAIL PRICE	INDEX NO.	PART NO.	NAME	USED ON
	1	2595	SCREW, No. 10-24 x 1 Posidriv pan hd. (4)	71 to 75 - FX
	1A	2851	BOLT, 3/8-16 x 7/8 hex. hd. (3) (Hi-way peg)	80 to * - FXS-80
	2	3802W	BOLT, 1/4-20 x 7/8 hex. (2)	76 to * - FX, FXS, FXEF, FXS-80, FXEF-80
	3	4713W	BOLT, 3/8-16 x 3/4 hex. hd. (3)	76 to * - FX, FXS, FXEF, FXS-80, FXEF-80
	4	7036	LOCKWASHER, 1/4 (2)	77 to 79 - FXS, FXS-80
	5	7118	LOCKWASHER, No. 10 internal tooth (8)	71 to 79 - FX, FXEF, FXEF-80
	6	7145W	LOCKWASHER, 3/8 external tooth (3)	76 to * - FX, FXS, FXEF, FXS-80, FXEF-80
	7	7624	NUT, No. 10-24 x 1/4 x 3/8 hex. (4)	71 to 79 - FX, FXEF, FXEF-80
	8	7688	NUT, 1/4-20 x 1/4 x 1/2 hex. (2)	77 to 79 - FXS, FXS-80
	9	10006	CABLE STRAP	71 to * - FX, FXS, FXEF, FXS-80, FXEF-80
	10	71795-63A	CLAMP, regulator cable	71 to 75 - FX
	11	74510-70A	RECTIFIER AND REGULATOR ASSEMBLY - 12 V. (chrome)	71 to 75 - FX
	12	74510-75	RECTIFIER AND REGULATOR ASSEMBLY	76 to * - FX, FXS, FXEF, FXS-80, FXEF-80
	13	74533-70A	BRACKET, regulator	71 to 75 - FX
	14	74533-75B	BRACKET, regulator (chrome) (w/ weld nuts)	76 to * - FX, FXS, FXEF, FXS-80, FXEF-80

NOTE: Asterisk (*) indicates part is used for latest model year shown on cover.

NUMERICAL INDEX

Part No.	Page	Part No.	Page	Part No.	Page	Part No.	Page	Part No.	Page
216	61		141		217	2774	37	3425 W	137
255	217	1205	73	2594	137		151	3426	179
256	217		91		207		153	3427	15
334	51		211	2595	219	2802 W	127		93
	153	1301	19	2597	61	2803 W	205		171
341	15		43	2598	181	2804 W	205	3428	15
358	19		153		209	2805 W	129	3429	23
375	65	1305	19	2607	65	2808	137	3430	15
515	61	1308	19		127	2616	129	3433	91
	91	1369	61	2611 A	43		179	3434	147
	93	1374	153	2612	189		217	3447	37
	95	1601	19	2622	19	2818	57	3450	137
520 W	81		43	2623 W	209	2823	113	3451	181
	85	1608	61	2625	129		115	3453	89
534	3	1719 W	61		215		117	3455	171
	61		197	2628	19		119	3458	37
	165	1764 W	61		79	2830	117	3473	43
600	217	1765 W	61	2630 W	195	2851	133	3491	195
603	41	1766 W	61		209		219	3566 W	49
612	215	1767 W	61	2634 W	125	2853	103	3570	43
613	217	1772 W	61	2636 W	213	2871 W	125		47
614	217	1783	75	2646	43		171	3680	61
615	43	1864 B	65	2652	81		185		85
	47	2061 W	159		85	2872 W	23		101
620	43	2073 W	163		95		51		103
	47		191	2653	41		57	3685	103
623	43	2150	153	2659	43		65	3720	147
	47	2216 W	41		195		65	3728	129
	61	2272	147		211		153		129
625	61	2333 W	65	2660	11	2879 W	65		179
650	57	2337 W	153		91		109		191
653	19	2348	131		107		125	3736	39
657	19	2356	153		137		133	3765	39
700	15	2401	195		211	2881 W	57	3767 B	37
	23	2402 W	29	2664	55	2882 W	147		127
701 A	55		39		65		209	3769	109
	65	2551 W	51		79	2887 W	137	3770	3
704	15		61		81		171	3778	137
	163		65		89		181	3781	103
707	65		65	2665	211	2889	123	3782	109
720	15		153	2667	169		123	3787	129
902	19		213	2668	181		193	3789	57
903	19	2554	43	2682	53	3005 W	195	3802 W	57
	153	2585	73	2692 W	191	3201 W	169		217
	157		185	2695 W	73		171		219
905	19		191		205		173	3825	39
906	3		215	2698	193		175		131
930	25	2587	195	2725	143		177	3839 W	131
	29	2589	209		145	3206 B	197	3842	43
	31		215	2726	145	3207	137		49
	35	2591	211	2728	143	3208	29	3854	109
1000	127	2592	91		145		141	3862 B	75
1047	43		99	2731 W	43	3210	137	3945	147
	47		181	2757 W	127	3233	167		177
1203	29		191	2758	39	3413	37	3953 W	143

NUMERICAL INDEX

Part No.	Page	Part No.	Page	Part No.	Page	Part No.	Page	Part No.	Page
	145	4374 B	119	4806	15	6314 W	125		133
	167	4380 W	147	5403 B	151	6316 HW	3		147
3956	95	4391	79	5423	147	6316 W	35	6702	3
	179		125	5430 W	23		55		15
	191		175	5707	179		65		25
3958	135		191	5708	211		129		31
3960 W	133	4401 W	15	5709	211		179		37
	157		95	5761	171	6324 W	121		37
3974 HW	15		125		177		123		39
	121		177	5762	177		123		39
	125	4410	191	5890	93		153		113
	129	4411	55	5905	125		157		115
	139		113	5915 B	137		169		123
	147		115	5926 B	147	6327 B	157		123
	163		117	5940	171	6332 B	157		123
3987	37		119	5942 B	123	6333	143		133
	39		123		147		145		133
	209		131	5960 W	135	6334	125		143
3991	147		177	5982 W	95	6341 B	151		145
3993	57	4412	177		173	6375 B	61		147
3996	123	4414	137	5983 W	95	6377	23		151
	123	4415	171	5988	157	6379 W	135		167
	123		173	6001	3		137		167
	123		175	6002	3		181		179
	125	4420	95		55	6368 HB	153	6703	23
	143	4422 B	75		65	6393	195		53
	145	4432 W	15	6006	43	6400 HB	15		57
	167	4434 W	93	6046	37		65		151
4012	133		95	6095	37	6409	61		151
4014 W	125		123	6107 B	147	6416	3		197
	147		125		179		147		213
	169		169	6156	95	6443 HW	71	6716	43
	175	4435 W	15	6160 P	157	6448 HB	95		53
	177		169	6182 W	191	6466 W	3		99
	209	4440 W	125	6189 W	47	6469 HW	3		181
4017	153	4710	173	6192	193	6473 HB	119		195
4021	153	4713 W	61		19	6495 HW	3		211
4061	131		93		43	6497 HW	3	6718	81
4063 W	157		95		181		43		85
4064 W	175		125	6197	195		49		133
4086	171		219	6218 W	119	6506	11		133
4319	99	4716 W	55	6220 W	61	6516 HW	3		135
	121		109		93		43	6750	57
4336 W	55		147		95		49		61
	121		177		131	6522 HB	3	6752	57
	137	4721	131		179	6561	23		61
4337 W	61		133		205	6653	101	6754	61
	121		133		213		103	6762 B	3
	137		147	6228 W	191		107		181
	181	4724	89	6229 W	95	6655	107		187
4362	121	4725	157	6230	89		109	6768	187
4371 W	113	4726	3	6235	131	6700 B	163	6774	15
	115		43	6242 W	19	6701	57	6804	157
	117		49		163		65	6811 W	79
	119		119	6253 W	129		89	6910 W	135

NUMERICAL INDEX

Part No.	Page	Part No.	Page	Part No.	Page	Part No.	Page	Part No.	Page
6969	43		133		133		217	7643 W	121
7015	181		133		133	7229 W	129	7651	143
	197		147		137		179		145
	215		157		185		189	7654 W	143
7022	101		169	7069	23		191		145
	103		171		43	7230	37		181
	107		173		49		61		209
	109		175		53		191	7676	51
7030 W	137		177		65		215		131
	143		193		91	7232	147		151
	145		217		99		209		151
	181	7039	3		137	7242	99		179
	209		71		181	7501	189		191
7036	23		81		191	7504	25	7680 W	147
	39		91		195	7507	133	7683	39
	51		109		213	7508	125		43
	53		125		217	7509	3		49
	57	7041	15	7115	47		55	7684	147
	61		37		73		65	7686	53
	65		39		185	7513	125		129
	65		43		195	7514	179		129
	65		49	7116	43	7517	181		151
	127		61		53	7518	181		163
	129		79		107	7519	181		179
	129		93		211	7572 W	131		181
	131		95		219	7608	37		189
	147		113	7124	61		39		197
	151		115	7127	37		181		213
	151		117		39		191		215
	163		121		157		195		217
	179		125	7130 W	61		197		219
	181		133		217	7614	187	7689 W	141
	191		139	7136	75	7620 W	25		151
	197		143		109		29	7692	211
	213		145		109		31	7697	151
	215		147		109		53	7710 W	37
	217		157	7145 W	81		61	7725	31
	219		163		85		79		35
7038	37		167		101		81		91
	39		167		107		89		121
	43		169		109		91		123
	49		171		125		137		123
	55		173		133		181		123
	61		175		181		217		123
	65		177		219	7624	53		131
	75		179	7149	187		195		167
	91		185	7220	53		219		173
	93		193		55	7633	131	7727	157
	95		197		79	7634	23	7729	89
	99		209		81	7638	39	7736	125
	101		217		89		43		167
	109	7042	181		129		49	7739	25
	121		193		137		195		31
	123	7067	105		185		213	7740	87
	131	7068	131		195		217		125

NUMERICAL INDEX

Part No.	Page	Part No.	Page	Part No.	Page	Part No.	Page	Part No.	Page
	169		133		135	9175 A	11	9925	201
7742	131		133	8095 A	99	9176 A	11		213
7744	39	7783	93	8103	37	9179 A	11	9926	201
	61		95	8115 B	43	9180	11		211
	91		157		49	9181	11	9931	43
	93		217	8125	197	9182	11		201
	95	7787	123	8126	163	9183	11		211
	143		123	8133 W	129	9184	11		213
	145	7800 W	61		147	9185	11	9932	201
7748 W	113		65	8227	71	9186	11		211
	115		73	8241	55	9220 A	15	9937	201
	117		91	8475	89	9221 A	15	9945	201
	137		95	8483	147	9222 A	15	9946	165
	171		121		213	9223 A	15		167
	181		123	8519	185	9224 A	15		167
	193		131	8532	75	9225 A	15		167
	197		147	8692	193	9260	137	9951	121
	217		169	8699	19	9441 A	11		163
7753	3		171		43	9442 A	11	9952	147
	15		173	8860	55	9443 A	11		185
	43		175	8866	23	9444 A	11		191
	49		177	8905	65	9445 A	11		193
	55	7805 P	131	9009	105	9446 A	11		213
	65	7813	101	9020	65	9450 A	11	9955	169
	95		103	9028	15	9540 A	71	9957	39
	121	7825	3		15	9851	61		137
	125		43	9033	121		95		201
	139		49	9040	153		121	9961	195
	147		75	9052	101	9857	43	9965 W	19
	157		107		103		187		43
	163	7837 W	71		107		201		191
	167		75		109		211		201
	169		109		109	9858	201	9969	37
	175		109		109	9859	201		39
	177		109	9058	15		211	9976	191
	179		125		19	9862	201		211
	193	7843	81	9061	153	9866	201	9979	15
	209		85	9062	51	9868	201		37
7763 W	37	7845	185	9063	51	9875	201	9981	191
	39	7851 W	37		153	9900	43	9982	137
7768 W	137		39	9084	65		201	9986	195
7775	15	7867 W	3	9085	65	9901	201	9990 W	201
	89	7872	3	9086	65	9902	129	9992	163
	123	7873	125	9101 A	11		193	9993	157
	123	7880	133	9102 A	11		201	9995	99
	125		133	9103 A	11	9903	201	9996	163
	135		185	9104 A	11	9904	201	10001	191
	153	7911	55	9105 A	11	9905	201	10006	43
7776 W	57		65	9106 A	11	9909	201		95
	147	7977	55		61		211		163
7778	81	7980	107	9108 A	11	9913	201		165
	85		121	9171 A	11	9914	201		167
	101	7986	107	9172 A	11	9918	129		167
	107		109	9173 A	11		201		167
	131	7993	99	9174 A	11	9923	201		191

NUMERICAL INDEX

Part No.	Page	Part No.	Page	Part No.	Page	Part No.	Page	Part No.	Page
	197	11137	79	17360-66	5	18185-48	7	22562-52	13
	201		95	17375-66	5	18186-51	7	22568-78	13
	211	11400	211	17428-57	5	18187-51	7	22735-32	13
	219	11405	211	17448-57	5	18193-51	7	22760-73A	13
10007	201	11410	193	17448-71A	5	18194-51	7	22762-73	13
	211	11411	147	17449-77	5	18201-57A	7	23741-55	15
	213	11430	209	17452-66	5	18202-57A	7	23906-73	13
10012	201	11431	147	17506-66	5	18221-36	9	23906-74	13
10014	157	12010	57	17508-66	5	18222-48	9	23906-78	3
	163	12014	71	17516-77B	5	18222-79	9		13
10020	37	12018	153	17517-77B	5	18228-36	9	23919-72	13
	163	12022	65	17518-80	5	18522-53A	9	23922-78	13
	167	12026 A	15	17519-80	5	18534-29A	9	23924-78	13
10025	197	16086-80	3	17540-69	5	18556-57	9	23940-41A	13
11000	71	16093-80	3	17550-80	5	18570-38	9	23961-41	13
11002	19	16096-80	3	17552-80	5	18600-66B	9	23966-54A	13
	23	16175-78	3	17611-66A	5	18600-76	9	23985-12	13
11007	15	16485-66B	3	17904-66	5	18602-80	9	23985-18	13
11012	165	16485-74A	3	17920-53	5	18603-80	9	23985-54	13
11015	79	16492-66B	3	17935-79A	5	18610-66B	9		19
11016	57	16492-74A	3	17938-48B	5	18610-76	9	23985-56	13
	61	16494-78	3	17938-79	5	18633-48A	9	24001-70	13
11027	107		3	17945-36B	7	18634-48A	9	24001-72	13
	109	16495-78	3	17947-36	7	18660-53	9	24002-70	15
	109		3	17950-66	7	22141-55B	11	24003-55	75
	109	16550-77	3	17955-36	7	22141-74A	11	24006-58	13
11031	55	16550-78B	3	17955-48	7	22143-55C	11	24006-73	13
	61	16602-30	5	18011-78	7	22143-74A	11	24006-80	13
11035	105	16697-79	5	18021-78	7	22144-55C	11	24010-54	19
11036	57	16700-66C	5	18055-66B	7	22144-74A	11	24017-72	13
	61	16702-66B	5	18056-66B	7	22145-55C	11	24023-36	13
	63	16725-66A	5	18057-66	7	22145-74A	11	24023-54	19
	73	16770-66A	5	18072-80	7	22146-55C	11	24032-70	15
	91	16776-63	5	18075-80	7	22146-74A	11		75
11039	51	16777-63	5	18076-80	7	22147-55C	11	24033-70	15
11040 P	157	16814-77	5	18078-80	7	22147-74A	11		75
11041	51	16830-54	65	18082-60	7	22148-55C	11	24034-70	15
11048	119	16831-30	5	18083-80	7	22148-74A	11		75
11063	79	16836-78	3	18086-80	7	22149-55C	11	24035-70	15
11065	119		5	18087-80	7	22149-74A	11		75
11064	41	16837-78	3	18089-80	7	22191-78	11	24036-70	15
11096	71		5	18105-79	7	22192-78	11		75
	71	16838-78	3	18110-79	7	22194-78	11	24037-70	15
11101	3		5	18111-79	7	22196-78	11		75
	51	16852-67	5	18112-79	7	22325-55B	13	24040-78	19
11105	19	16864-48	5	18113-79	7	22327-55B	13	24041-78	19
	23	16865-52	5	18114-79	7	22328-55B	13	24042-78	19
	119	17029-66	3	18115-79	7	22329-55B	13	24043-78	19
	165		5	18116-79	7	22330-55B	13	24044-78	19
11110	37	17034-48	5	18165-49	7	22331-55B	13	24045-78	19
	39	17034-80	5	18166-49	7	22334-78A	13	24046-78	19
11115	65	17100-80	5	18167-49	7	22335-78A	13	24281-41A	13
11125	153	17101-80	3	18170-49	7	22336-78A	13	24281-74A	13
11132	3	17110-80	5	18181-48	7	22337-78A	13	24290-74A	13
11133	3	17111-80	5	18182-48	7	22581-32	13	24294-74	13

NUMERICAL INDEX

Part No.	Page	Part No.	Page	Part No.	Page	Part No.	Page	Part No.	Page
24298-36	13	25258-80	19	26239-77A	23	27164-71	35		31
24302-36	13			26246-68A	23	27271-71	35	27361-76	25
24334-36	13	25260-78	19	26247-78	23	27272-71	35		31
24335-36	13		37	26248-78	167	27272-74	35	27362-76	25
24345-36A	13	25262-80	19	26251-78	167	27281-71A	35		31
24356-36A	13		19	26258-68B	23	27282-71	35	27364-76	31
24366-51	13	25313-50	19	26265-68A	23	27304-76	25	27366-76	25
24366-71	13	25313-73	19	26315-68A	23		31		31
24367-71	13	25313-77A	19	26317-68A	23	27305-76	31	27367-76	25
24385-40B	13	25314-50	19	26326-62A	23	27306-76	25		31
24386-40B	13	25315-50	19	26327-68	23		31	27368-76	25
24387-40B	13	25316-52	19	26328-74	23	27307-76	25		31
24388-40B	13	25320-79	21	26338-68	23		31	27369-76	25
24389-40B	13	25321-79	21	26345-39	21	27308-76	25		33
24390-40B	13	25322-79	21	26345-73	21		31	27371-76	25
24391-40B	13	25323-79	21	26346-70	21	27309-76	25		33
24490-36	15	25325-79	21		23		31	27373-76	25
	121	25326-79	21	26348-15	13	27310-76	31		33
24519-70	15	25327-79	21		21	27311-76	25	27379-76	33
24519-73B	15	25328-79	21		23		31	27385-76	25
24524-77B	15	25401-77	153	26348-36	23	27312-76	31		33
24582-77	19	25414-70	153	26349-54	21	27313-76	25	27389-71	35
24599-58A	15	25416-70	153	26349-73	21		31	27395-76A	33
24600-58A	15	25420-79	153	26362-36	23	27314-76	25	27396-71	35
24601-58A	15	25421-79	153	26363-36	23		31	27403-71	35
24602-58	15	25426-80	153	26374-54	23	27315-76	31	27404-71	35
24608-54	15	25523-70	21	26377-68	23	27319-76	31	27416-76	33
24641-36	19	25523-77	21	26390-68	17	27320-76	25	27417-76	33
24650-58	15	25550-36	21		23		31	27418-76	33
24651-58	15	25550-57	21	26400-54	23	27321-76	25	27419-76	33
24652-58	15	25551-36	21	26551-39C	23		31	27420-76	33
24653-58	15	25552-36	21	27006-76	31	27322-76	25	27459-74	35
24654-58	15	25553-36	21	27021-71A	25		31	27466-78A	25
24655-58	15	25554-36	21		31	27326-71	35	27468-78A	25
24652-54	95	25555-36	21		35	27328-76	25	27468-80A	25
24692-58	15	25556-79	21	27021-78	25		31	27472-79	25
24703-54	19	25557-79	21	27023-71	35	27333-76	25	27472-80A	25
24791-36	15	25558-79	21	27045-78	25		31	27473-78	29
24805-30	15	25559-79	21		31	27335-76	25	27474-78	29
24809-30	15	25561-70	21	27046-78	25		31	27475-78	29
24811-59A	51	25582-54	21		31	27336-76	31	27476-78	29
	153	25582-73	21	27060-55	29	27337-76	31	27477-78	29
24815-40	17	25715-47	57		31	27338-76	25	27478-78	29
24818-52	31	25715-71	95		35		31	27479-78	29
	65	25811-11	57	27062-78	25	27339-76	31	27480-78	29
24820-78	31		217	27063-57	29	27340-76	31	27481-78	29
24920-67	163	26199-77A	23		31	27341-71	35	27482-78	29
24921-77	163	26200-68B	23		35	27342-71	35	27483-78	29
24981-70	19	26200-73B	23	27063-80	25	27348-76	31	27484-78	29
24982-70	19	26206-73	23	27077-78	31	27348-77	31	27485-78	29
25216-73A	19	26207-73	23	27095-78	25	27355-76	31	27486-78	29
25225-70A	19	26227-58	23	27132-71	35	27356-76	31	27487-78	29
25255-77A	19	26231-78	23	27154-78	29	27358-76	31	27488-78	29
25256-80	19	26232-68	23	27155-72B	35	27359-76	31	27489-78	29
25257-80	19	26234-73A	23	27155-76A	31	27360-76	25	27490-78	29

NUMERICAL INDEX

Part No.	Page	Part No.	Page	Part No.	Page	Part No.	Page	Part No.	Page
27491-78	29	27897-78	27	29965-70	41	31800-78	43	32602-78	45
27492-78	29	29018-71A	39	29965-75	41		49	32604-78	45
27493-78	29	29020-71	39	29988-73	41	31960-65B	43	32605-70	45
27494-78	29	29024-77	39	30013-71	173		49		47
27495-78	29	29036-66	39	31435-65A	217	31981-65B	43	32608-70	21
27496-78	29	29036-72	29	31438-65A	217		49		47
27497-78	29		39	31439-65	217	31991-74A	49	32609-78	45
27594-76	25	29054-77	39	31440-65	217	32000-37A	43	32610-78	45
27612-71	35	29054-78	39	31441-65	217		49	32618-70A	47
27613-71	35	29057-78	37	31443-65A	51	32301-47A	49	32629-70	45
27614-71	35	29058-77	27	31444-65A	217	32301-60	49		47
27618-71	35		33	31445-65	51		49	32661-70	47
27619-71	35		37	31452-65	217	32303-47A	49		49
27620-71	35		39	31465-65	51	32305-48A	49		49
27621-71	35	29061-78	37	31475-77	217	32307-58	49	32669-47	47
27622-71	35	29064-78	37	31478-65A	51	32309-69	49	32670-70	47
27623-71	35	29071-79	37		153	32310-77	49	32726-30A	47
27630-71	35	29084-73	29	31482-70	51		49		49
27631-71	35		39	31485-65	51	32310-78	43		49
27641-71	35	29086-73	39	31493-67	51	32312-77	49	33014-74E	65
27642-71	35	29086-75	39	31502-65	51	32312-78	43	33016-79A	65
27645-71	35	29113-78	37	31503-70	51	32342-58	43	33020-79A	65
27646-71	35	29113-79	37	31506-79	217		49	33031-65	65
27651-75	35	29114-78	37	31530-65A	51	32353-77	49	33048-72	131
27652-75	35	29114-79	37	31531-69	51	32354-77	49	33052-71	55
27653-75	35	29144-77	39	31565-67	53	32400-80	43	33055-78A	55
27654-75	35	29205-69	39	31568-67	53	32401-80	43	33057-72	55
27655-75	35	29205-76	39	31570-73	53	32412-80	43	33057-77	55
27656-75	35	29206-78	39	31572-73	51	32503-77	21	33061-77	55
27659-71	35	29212-71	39	31572-79	51		43	33068-54	55
27663-71	35	29214-67A	37		65	32504-80	21	33074-77	55
27664-71	35		39		65		43	33076-37	55
27665-71	35	29214-71	39	31575-73	53	32505-78	43	33080-36	55
27666-71	35	29215-78	37	31576-73	53	32508-77	21	33082-16	55
27686-71	35	29216-72	39	31577-73	53	32511-78	21		65
27725-71	35	29219-78	37	31578-73	53		43	33085-36	55
27737-71	35	29221-73	39	31579-73	53	32511-80	21	33085-74	55
27748-71	35	29239-78	37	31580-73	53		43	33086-74	55
27750-72	35	29250-78	27	31581-73	53	32513-77	21	33096-54B	55
27751-69P	205		33	31582-73	53	32522-70	45	33150-59	55
27762-71A	35	29252-78	37	31583-73	53		47	33152-59	55
27763-71	35	29252-79	37	31584-73	53	32535-48	57	33160-77	55
27882-78	25		39	31585-73	53	32542-70A	47		65
27883-78	25	29253-78	27	31586-73	53	32577-70	47	33163-65A	71
27884-78	25		37	31607-64	43	32584-71	21	33165-79	57
27885-78	25	29255-78	37		49	32588-70A	21	33166-79	57
27886-78	25	29256-79	37	31609-65A	43	32591-70	21	33167-79	57
27887-78	25		39		49	32591-80	21	33171-79	57
27888-78	27	29257-79	39	31609-80	43		45	33172-79	57
27889-78	27	29270-78	37	31620-47	43	32598-78	45	33174-79	57
27890-78	27	29272-78	37		49	32601-78	21	33176-79	57
27891-78	27	29299-78	37	31724-65	49		45	33178-63	55
27891-80	27	29954-71	41	31727-72	43		47	33180-77	55
27892-78	27	29957-70	41		49	32601-80	21	33185-79	57
27893-78	27	29957-75	41	31728-78	43		45	33187-79	57

NUMERICAL INDEX

Part No.	Page	Part No.	Page	Part No.	Page	Part No.	Page	Part No.	Page
33188-79	57	33901-79	57	34518-79	57	35171-37	67	36045-76	69
33189-63	55		217	34525-54	63	35175-36	67	36046-36	69
	131	33960-36A	61	34551-52	63	35203-36	67	36048-36	69
	133	33960-74	61	34552-52	63		75	36048-76	69
33196-79	57	34006-74	61	34555-52	63	35211-36	67	37053-68	73
33197-79	57	34019-73	61	34555-74	63		75	37053-78	73
33198-79	57	34020-79	57	34560-52	63	35212-73	67	37054-79	73
	217	34031-41	61	34564-71	63		75	37070-39A	71
33199-79	57	34036-36	57	34564-74A	63	35212-80	67		71
33201-79	57		61	34565-52	63		75	37074-38A	71
33204-79	57	34036-80	61	34574-74	63	35216-36	67	37077-68	71
33213-31	55		63	34574-79	63		75	37228-75	71
33215-30	55	34040-52	57	34603-71	63	35230-39	67		71
33217-73	53	34050-36	61	34604-71	63	35231-36	67	37285-75	71
33258-71	127	34062-52	57	34609-65	63	35282-59	67	37285-75A	71
33266-78	55		61	34611-65	63	35282-74	67	37305-70	71
	65	34064-52	61	34614-74	63	35282-79	67	37311-75A	71
33277-36A	55	34066-52	61	34652-79	59	35306-59	67		71
	65	34068-52	61	34655-79	59	35336-74	59	37312-75	71
33268-37	55	34140-36	61	34656-79	59	35337-36	67		71
33290-38	55	34145-76	57	34658-79	59	35365-36	67	37357-41	71
	65		61	34659-79	59	35440-38	67	37361-41	71
	71	34145-80	61	34704-78	67	35606-73	67	37436-36	69
33291-36	55		63	34706-78	67	35607-73	67		71
	65	34158-36	57	34708-77A	67	35614-65	67	37496-65	71
	71		61	34708-78	67	35614-76	67	37503-41	71
33295-36	55	34159-36	57	34708-79	67	35614-80	67	37523-15	71
	65		61	34711-78	67	35630-36	67	37549-41	71
33298-65	33	34165-36	63	34711-79	67	35635-69	67	37550-41B	71
	35	34168-39	63	34711-80	67	35665-36	67	37566-58	71
	55	34168-52	57	34720-56	67	35665-36A	67	37567-41A	71
	65	34175-36	63	34723-47	67	35700-69	67	37574-44	71
33299-65	65	34179-33	57	34724-36	67	35700-73	67	37576-41	71
33350-36	55		63	34799-65	63	35716-76	67	37581-47	71
33353-36	65	34180-33	57	34799-74A	63	35717-74	67	37583-41	71
33353-78	65		63	34803-59	63	35751-36	67	37585-41	71
33355-36	55	34182-76	63	34824-36	63	35751-79	67	37702-70A	71
33356-36	55	34184-79	57	34824-79	59	35765-36	69		75
33361-39	55	34186-76	63	34825-77	63	35789-36	69	37741-67	69
33390-26	61	34428-52	63	34840-77	63	35791-36	69	37850-68	71
33391-36	55	34435-52	63	35039-70A	67	35810-36	69	37871-41	71
33393-50	55	34447-52	63	35046-36	67	35811-36	69	37930-68	71
33396-39	55	34447-74	63	35050-40	67	35812-36	69	37975-41	71
33429-39	65	34453-52	63	35065-65B	67	35875-36	69	38010-41	71
33429-80	65	34461-72	57	35067-77	67	35876-36	69	38025-41	71
33430-50	55	34476-72	57	35070-77	67	35877-36	69	38608-68	73
33438-50	55	34477-53	63	35070-80	67	35878-36	69	38608-72	73
33560-75	55	34478-53	63	35094-65	67	35879-36	69	38608-73	73
33630-71	61	34478-75	63	35100-36	67	35882-36	69	38609-68	73
33638-70	61	34482-53	63	35100-79	67	35883-36	69	38618-68	73
33644-71	61	34488-52B	63	35111-36	67	35884-36	69	38622-73	147
33660-70	61	34494-74B	57	35111-80	67	35915-36	69	38622-78	147
33651-52	61	34498-52	63	35125-37	67	35917-36	69	38623-68	73
33871-67	61	34500-52A	63	35129-36	67	35920-36	69		197
33900-59	217	34517-79	57	35131-36	67	35961-52	69	38712-68	73

NUMERICAL INDEX

Part No.	Page	Part No.	Page	Part No.	Page	Part No.	Page	Part No.	Page
	79	41196-73	107	41806-72B	81	42394-65	93		109
	81		109		101		97	43540-73	107
	85		109		107	42396-79	93	43542-67	107
	89		109		109	42399-72A	97	43548-73	101
	95	41197-73	77	41807-73	81	42399-78	97	43548-74	101
	201		107		101	42399-79	93		103
	209	41198-73	81	41807-74	89	42411-70	97	43549-67	107
39976-65B	75		85		103	42425-71	97	43557-73	81
39990-65	75		101	41808-63	99	42425-79	93	43559-73	107
39992-65A	75		107	41813-79	81	42435-79	93		109
39993-65	75		109		85	42436-72	97		109
39996-65	75	41210-55	107		107	42439-72	97		109
39998-65	75	41400-67	99		109	42440-72	97	43577-67	107
40007-36A	75	41425-37	99	41814-76	81	42453-60	93	43578-35	17
40021-79	75	41470-67	77		85	42455-80	93	43592-70	107
40025-77	75	41470-73A	77		101	42456-80	93	43600-73	101
40026-77	75		107		107	43001-79	101	43600-74	101
40028-15C	75		109		109	43002-70	105	43600-78	101
40029-15C	75	41470-78	77	41835-58	99	43006-40A	107	43601-78	107
40033-15	75		109	41835-69	91	43007-40A	107		111
40034-15	75	41485-67	77		95	43018-73	101	43602-78	107
40052-15	75	41552-67	107	41836-63	99	43024-73A	101		111
40052-65	75	41552-73	107	41837-63	99	43025-73A	101	43603-78	107
40053-15	75		109	41841-31	91	43032-40A	107		111
40053-65	75	41570-77	121		99	43099-29	101	43604-78	111
40055-39	75	41576-36	121	41848-64	91		105	43605-78	111
40066-12	75	41595-67	107	42257-72	95		107	43606-78	111
40069-30	75	41595-73	107	42257-79	93	43302-77	89	43615-74	103
40070-28	75		109	42269-30	63	43306-78	79	43618-74	103
40091-15	75	41596-30	99		93	43307-78	79	43623-78	103
40092-15	75	41596-63	99		95	43308-78	79	43624-78	103
40093-15	75	41600-67	99	42269-70	95	43311-78	103	43625-78	103
40094-15	75	41603-32	107	42299-72	95	43315-78	103	43633-74	101
40209-55	75	41734-73	81	42299-79	93	43320-78	103		103
40210-55	75		85	42300-63	99	43341-78	101	43634-74	101
40211-55	75	41740-63	99	42303-70A	95	43434-79	103		103
40270-65A	77	41741-63	99	42304-70A	95	43435-79	103	43635-74	101
40271-65A	77	41742-58	99	42309-70	95	43436-79	109		103
40272-65A	77	41743-58	99	42311-58	95	43437-79	109	43636-52	105
40275-70	77	41744-58	99	42314-71A	95	43444-79	103	43740-64	105
40280-70	77	41748-63	99	42318-72	79	43445-79	103	43871-52	105
40282-70	77	41749-58	81		93	43461-78	103	43871-73	101
40299-70	77		89		95	43483-77	109	43883-77	101
40324-70	77	41750-63	99	42319-72	95	43485-75	109		103
40375-70	77	41761-58	95	42321-71	95	43488-77	101	43886-52	105
40384-70	77	41761-78	95	42327-70	95		103	44001-78A	81
40385-70	77	41762-58A	95	42328-73A	81	43505-70	105	44001-78B	85
40392-70	77	41764-70	95	42330-71	95	43509-73	101	44002-78	81
40968-73	107	41764-79	93	42330-72	93	43509-74	101		85
40981-73	107	41765-58	95		95	43522-77	103	44004-78	81
40986-74	109	41766-58	95	42333-70	97	43530-35A	99	44004-80	85
41041-77	109	41768-73	81	42375-77	93	43531-35	99	44005-78	81
41191-74	89	41769-58	95	42376-77	93	43532-73	77		85
	103	41786-79	95	42388-79	93		109	44007-80	85
41196-55	107	41801-63	99	42389-79	93		109		85

NUMERICAL INDEX

Part No.	Page	Part No.	Page	Part No.	Page	Part No.	Page	Part No.	Page
44008-80	85		81		211	45402-75	113		117
44009-80	85		85	45031-65	73		115		119
	85		85		91	45403-75	113	45768-77	115
44010-80	81		87	45031-72	79		115	45818-52	119
44011-80	81	44151-77	87	45032-72	79	45404-75	113	45821-72	83
	81	44153-77	87	45034-68	91		115		117
44025-79	87	44154-73	83	45036-68	73	45405-75	113	45821-75	83
44025-80	87		85		91		115		83
44026-79	87	44157-77	87	45037-73	79	45406-75	113		85
44026-80	87	44158-77	87	45039-68	73		115		85
44032-79	87	44161-77	87		91	45407-75	113	45822-72	83
44089-74	89	44162-77	87	45044-74	79	45408-75	113		117
44098-77	87	44163-77	87		97	45409-75	113	45822-75	83
44104-72A	81	44163-80	87	45053-72	79		115		83
44105-72	81	44164-77	87	45054-72	79	45410-75	113		85
44106-72	81	44164-80	87	45055-72	79		115		85
44106-80	81	44165-77	87	45056-77	79	45412-75	113	45830-48	55
	85	44166-73	83	45057-72	79		115		69
44107-72	81		85	45059-72	79	45518-73	83	45916-73	117
	85	44172-77	87	45061-72A	79	45519-77	79	45917-73	117
44108-72	81	44173-77	87	45063-72	79		89	45918-73	117
	85	44174-77	87	45071-72	79	45521-73	79	45926-73	117
	87	44195-77	87	45092-66	27	45521-74A	79	45927-73	117
44114-73	81	44195-80	87		33		89	45928-73	117
44116-77	87	44197-77	83		35	45527-73	117	45931-73	117
44117-77	87		85	45105-77	79	45532-74	89	45932-73	117
44118-80	85		87		93	45567-71	119	45933-73	117
	85	44271-74	89		97	45608-77	113	45974-73	117
44121-77	87	44272-74	89	45110-62P	73		115	45975-71	119
44121-80	87	44273-74	89	45114-77	79		117	45976-74	117
44123-72	81	44274-74	89	45114-79	79	45620-77	115	45977-73	117
44124-72	81	44275-74	89	45121-77	79	45642-77	115	45978-73	117
	83	44276-74	89	45123-77	79	45643-77	115	45979-73	117
	85	44277-74	89	45123-79	79	45644-77	115	45980-73	117
	85	44278-74	89	45137-51	91	45657-77	115	45982-73	113
44127-72A	81	44279-74	89	45150-78	97	45658-77	115		115
	81	44280-74	89	45150-79	93	45718-71	113		117
44128-72	81	44281-74	89	45151-78	83		115	45983-73	117
44129-73	81	44283-74	89		85		117	45984-73	117
	81	44310-77	79		93		119	45985-73	117
44132-72	81	44331-73	83		97	45736-78	115	45986-73	117
	85		85	45152-78	93	45738-73	113	45987-77	115
44133-72	81	44524-51	91		97		115	45992-73	117
	81	45002-69	91	45159-50	91		117	45993-73	113
	85	45010-73	79	45174-64	91	45739-628	119		115
	85	45012-72	79	45203-52	91	45751-71	113		117
44134-72A	81	45013-72	79	45216-49	91		115	45993-74	117
	85	45016-72	79	45218-52	91		117	45994-73	113
44135-74	81	45020-79	79		137		119		117
44137-77	101	45023-69	91	45396-80	115	45756-59	119	45994-77	113
	103	45024-65A	73	45397-80	115	45757-49	119		115
44137-79	101		91	45400-75	113	45774-77	113	45995-73	117
	103	45024-72	79		115		117	45996-73	113
44141-77	87	45030-65A	73	45401-75	113	45782-72A	113		115
44146-77	81		91		115		115		117

NUMERICAL INDEX

Part No.	Page	Part No.	Page	Part No.	Page	Part No.	Page	Part No.	Page
	215	46155-30	215	50036-74	125	52429-80	127	56115-77	131
45997-73	113	46300-60	113	50052-70	125	52433-80	127	56115-79	131
	115		115	50061-36E	125	52434-80	127	56116-77	131
	117		117	50100-70	125	52491-80	127	56117-77	131
45998-73	117		119		153	52492-80	127	56119-77	131
46001-71	119	46311-60	121	50235-63	101	52496-80	127	56122-77	131
46018-77	113	46315-60	113	50668-35	97	52499-80	127	56124-77	131
	115		115	50800-71B	93	52512-78	127	56153-73	131
46019-77	113		117		97	52538-72	127	56154-52	135
	115		119		131	52572-77A	127	56158-49	115
46023-75	113	46362-38A	113	50805-61P	131	52574-77	153		135
	117		115	50806-61P	131	52577-77	153	56158-73	135
46024-75	113		117	50807-61P	131	52585-77	127	56159-49	135
46025-75	113		119	50809-62P	131	52587-80	127	56159-73	135
46026-77	113	46365-48	113	50880-69	131	52588-80	127	56201-62A	139
46027-77	113		115	50900-72	131	52589-80	127	56205-62A	135
46028-78A	113		117	50907-69A	131	52594-60	127	56206-74	141
46201-52	119		119	50912-72	131	52597-78	127	56216-53	139
46230-71	119	49016-72B	123		133	52599-78	127	56220-58	139
46901-73	205	49032-74	123		133	52683-74	131	56220-74	141
46901-75	205	49033-77	123	50930-75	131	52695-77	131	56238-62	29
46902-73	205		123	50936-77	131	52698-65	131		139
46902-75	205	49034-77	123		133	52743-79	127		141
46903-75	205		123	50939-52	131	52756-79	127	56276-31	139
46904-75	205	49037-58B	123	50940-52	131	54508-73	135	56278-10	139
46905-75	205	49038-58B	123	50946-52	131	54509-71A	135	56288-53	139
46906-75	205	49108-77	133	50970-52	131	54509-73	135	56300-74	141
46907-77	205	49114-77	133	50973-65	131	54515-73	135	56302-74	141
46908-77	205	49115-77	133	51195-60	127	54517-67	135	56303-74	141
46909-77	205	49117-77	131		127	54530-67	135	56313-76	141
46910-77	205		133	51651-79	127	54536-67	135	56377-65	139
46911-77	205		133	52025-75A	127	54537-72	135	56378-65	139
46912-77	205	49126-77	133	52039-71	129	54538-73	135	56389-74	141
47000-78B	121		133	52061-71	129	54543-65	135	56393-74A	141
47013-78B	121	49127-77	133	52064-78	127	54544-65	135	56394-74	29
47094-58	121		133	52074-71	129		137		141
47116-77	131	49129-77	133	52076-71	129	54545-65	135	56395-74	29
47117-77	131		133	52110-71	129	54546-73	135		141
47311-77	167	49130-77	133	52119-71	129	54555-73	135	56396-74	29
47500-73	121	49135-67B	123	52173-80	127	54558-73	135		141
47500-78	121	49137-67B	123	52174-80	127	54559-73	135	56397-74	29
47510-58	121	49140-80	131	52175-80	127	54635-67	135		141
47513-58	121		133	52176-80	127	54700-67	135	56400-53A	139
47517-58	121	49168-67A	123	52177-80	127	54704-65	135	56401-73	139
47519-58	107	49169-67B	123	52178-77	127	55963-77	137	56410-53	139
	121	49170-67A	123	52180-80	127	56062-73	201	56500-79	141
47519-72	101	49171-67B	123	52181-78	127	56083-74	137	56502-74	141
	103	49400-59A	125	52182-78	127	56083-77	137	56503-65	139
	109	49404-61	125	52183-79	127	56084-73	137	56505-74	141
	109	50011-30A	125	52412-79	127	56088-69A	137	56506-74	141
	111	50013-74A	125	52413-79	127	56101-52	137	56507-74	141
	121	50014-74	125	52415-80	127	56103-74A	137	56508-76	141
47554-78	121	50015-74	125	52416-80	127	56104-73	137	56520-77	141
47698-65A	121	50028-74	125	52417-80	127	56104-74	137	56575-26	139
47730-77	121	50036-36	125	52428-80	127	56106-74A	137	56581-26	139

NUMERICAL INDEX

Part No.	Page	Part No.	Page	Part No.	Page	Part No.	Page	Part No.	Page
56609-52	21	59268-68	195	60513-71	131	61236-78	159	62129-75	157
	45	59269-68	195		153	61241-77	159	62141-69P	157
57978-63	191	59271-68	195		153	61249-79	159	62142-69P	157
58001-71C	143	59274-68	195	60514-65	153	61260-74	159	62161-75	157
	145	59584-73A	147	60516-65A	51	61260-75	159	62162-75	157
58003-71	143	59650-72	147	60518-65	153	61261-74	159	62504-65B	163
	145	59650-74	147	60539-80	153	61261-75	159	62534-65	163
58004-71	143	59672-77	147	60540-65A	153	61262-74	159	62563-65	163
	145	59673-77	147	60547-77	153	61262-75	159		179
58017-61	145	59682-78	147	60549-70	153	61263-74	159		181
58018-61	145	59686-78	147		163	61263-75	159		197
58020-61	145	59688-78	147	60554-65	163	61264-74	159		215
58025-61A	145	59704-77	149	60556-74	153	61264-75	159	62571-77	167
58026-77	143	59705-77	149	60567-65	153	61265-74	159	62574-77	167
	145	59706-77	149	60579-74	153	61265-75	159	62576-65A	73
58038-61	145	59928-72	149	60593-74	153	61266-74	159		163
58039-61	145	59928-73	149	60619-73	155	61266-75	159	62576-79	65
58048-50	145	59929-72	149	60619-74	155	61267-74	159		65
58049-50A	145	59929-73	149	60641-74	155	61267-75	159		73
58050-78	143	59932-58	149	60644-65	155	61348-78	159		163
58051-78	143	59933-58	149	60645-65	217	61349-78	159	62577-77	167
58052-78	143	59933-77	149	60646-65	155	61350-78	159	62578-77	167
58053-78	143	59938-72	149	60975-78	157	61352-78	159	62610-52A	165
58078-49	143	59978-74	151	61102-73	157	61353-78	159	62611-66	165
	145	59979-74	151	61103-36	157	61354-78	159	62612-66	165
58079-49	143	59981-74	151	61103-72P	157	61368-79	159	62620-66	165
	145	59982-74	151	61103-73	157	61374-75	161	62625-70	163
58085-49	145	59983-75	151	61111-77	157	61375-75	161	62628-66	165
58086-49	145	59984-72	151	61114-46	157	61376-75	161	62702-52	69
58102-49	171	59984-73	151	61116-65	157	61377-75	161	62783-66A	9
	173		151	61122-39	157	61405-80	161	62785-66A	9
	175	59986-75	151	61125-72	159	61406-80	161	63500-68	37
58406-75	143		151	61127-71	159	61426-67A	157		163
58408-75	143	59988-72	151	61131-77	159	61491-76	161	63501-68	157
58417-77	143		151	61134-77	159	61492-76	161		163
59007-73B	147	59989-71	129	61136-77	159	61493-76	161	63526-57	9
59028-70A	147	59995-55A	151	61138-73	139	61494-76	161		21
59100-77	147	59995-72A	151	61139-73	157	61495-76	161	63527-57A	9
59109-70	147	59995-73	151	61142-72	159	61546-74	157	63529-57	9
59111-74	147	59999-72	151	61142-76	159	61550-73A	157	63533-41	17
59171-71	129	59999-73	151	61145-71	159	61558-73	157		23
59172-71	129	60001-55	151	61146-72	159	61562-66	157		155
59176-72	117		151	61152-65P	157	61605-36	157		163
	119	60002-55	151	61157-72	159	61647-77	157	63533-65	17
59208-72	147		151	61161-74	159	61650-77	161	63541-70	17
59208-74	147	60302-73	149	61163-74	159	61651-77	161		163
59252-69	147	60302-78	149	61170-73	159	61745-77	161	63549-65	163
59253-69	129	60348-65	153	61171-73	159	61746-77	161	63578-52	35
59254-72	113	60400-74	63	61178-73	159	61771-72	161		163
	115	60421-79	153	61179-73	159	61795-68	161	63580-66A	163
	117	60431-79	153	61205-77	159	61829-76	161	63589-78	163
59255-72	129	60488-80	153	61214-73A	157	61832-76	179	63592-68	163
	147	60507-77	153	61217-69A	157	62096-69	157	63609-72	79
59260-68	195	60508-70	153	61218-67A	157	62123-66	157	63610-70	23
59266-68	195	60512-71	131	61230-69A	157	62125-55B	157	63614-72	23

NUMERICAL INDEX

Part No.	Page	Part No.	Page	Part No.	Page	Part No.	Page	Part No.	Page
63792-77	165		175	67217-66	181	68196-55	189	69543-76	195
	167		177	67321-76	181	68462-64	209	69543-80	199
63794-77	165	65991-75A	179	67324-76	181		211	69999-77	213
63796-77	165	66006-70	179	67327-78	181	68476-73	193	70005-70	201
63826-53	165	66013-70	179		187	68477-73	193	70009-71	129
63831-67	165	66022-79	179	67705-74	185	68478-73	193	70012-70	129
63840-53	165	66031-78	179	67710-72	185	68479-73	193	70016-65A	197
63846-67	165	66042-79	163	67714-63	185	68480-73	193	70017-70A	129
63878-53	165	66047-80	179	67715-59	129	68481-73	193	70044-77	205
63879-53	165	66100-70	179	67717-65A	185	68482-73	193	70052-73A	205
63881-67	165	66103-74	179	67719-63	185	68483-73	193	70055-77	205
63882-67	165	66111-70	179	67725-63	185	68514-73	193	70059-66	207
63885-70	165	66190-71	179	67744-75	185	68515-77A	193	70064-73	205
65201-75A	177	66191-73	179	67745-63	185	68520-63	191	70066-73A	205
65230-65A	175	66191-80	179	67753-63	185	68521-63	191	70067-73A	205
65235-73	175	66214-71	179	67807-73	185	68525-67	191	70069-65A	199
65240-41A	173	66225-73	179	67809-75	185	68528-77A	193	70078-75	205
65268-73	171	66225-78	179	67815-59A	185	68530-67	191	70079-75	199
	175	66228-77	179	67830-59	185	68536-72	187		205
65272-73	175	66228-78	179	67832-73	185	68536-75	187	70086-73	199
65276-62	123	66352-65	179	67833-75	185	68543-64A	191	70088-73	199
	169	66359-80	179	67839-74	201		193	70089-73	199
	171	66367-73	179	67851-75	187	68552-70	191	70093-70	191
	173	66369-70	179	67891-68	187	68563-60	187	70105-73	199
	175	66369-76	179	67891-75A	183	68563-75A	187	70120-70	207
	177	66371-70	179		187	68564-60	187	70120-73	183
65279-57	171	66381-78	179	67899-68A	187	68565-60	187	70121-70	207
	175	66389-74	179	67899-72	187	68571-63	191	70122-73	205
65293-56	173	66470-70	179	68005-70	129	68572-64A	191	70124-75	215
65307-73	171	66476-73	179	68008-73A	189		193	70148-75	183
	175	66612-76	179	68009-70	129	68576-70	191	70150-75	183
65311-77	169	67004-68C	181	68010-64B	189	68586-63	191	70166-79	205
65311-78	169	67005-68A	181	68025-73	189	68672-38	185	70170-79	205
65318-58A	173	67009-72	139	68026-73	189		189	70176-73	205
65331-71	129		181	68034-77	189	69000-76	197	70182-79	205
65334-75	177	67020-73C	181	68086-55	189	69003-76	197	70191-73A	199
65353-78	169	67021-73B	181	68088-70	129	69013-77A	9	70234-79	205
65400-73	175	67026-62	181	68089-70	129	69016-76	197	70240-79	205
65430-80	169	67051-73	181	68090-69	189	69017-76	197	70241-79	205
65463-71A	173	67052-78	181	68093-55A	189	69018-73A	9	70255-73	199
65464-73	171	67055-62	181	68108-70	129	69024-77	215	70255-74	199
	175	67055-73	181	68114-55	189	69116-73A	197	70285-72	191
65498-73	171	67075-57A	181	68119-69	189	69117-65	197	70313-71	199
	175	67127-73	181	68121-55	189	69125-65	197	70318-70	197
65547-79	171	67130-69	181	68122-55	189	69138-65	197	70326-73A	199
65548-79	171	67140-78	181	68123-55	189	69140-76	197	70326-75	199
65553-79	171	67141-36	181	68123-73	189	69141-70	197	70326-76	199
65554-79	171	67141-67P	181	68125-70	129	69144-65	197	70326-78	199
65608-80	169	67143-78	181	68128-70	129	69149-65	197	70335-68	195
65609-80	169	67180-73	181	68131-70	129	69537-77	205	70336-68	195
65760-75	177	67181-73	181	68165-64	129	69538-77	205	70337-68	195
65760-77A	169	67195-67P	181		189	69540-78	211	70343-75	199
65834-68A	169	67198-67P	181	68166-64	129	69541-78	199	70343-76	199
	171	67210-73	181	68185-70	189	69542-78	199	70343-78	199
	173	67215-66	181	68195-55	189	69542-80	199	70353-77	199

NUMERICAL INDEX

Part No.	Page	Part No.	Page	Part No.	Page	Part No.	Page	Part No.	Page
70353-78	199	71182-47A	209	71851-29	207	74521-77	45		111
70378-73	199	71190-47	209	71856-61	207		203	95592-78	103
70418-69	191	71241-68B	209	71859-29	207	74533-70A	219	95593-78	103
70418-73	191	71244-68B	209	71859-38A	207	74533-75B	219		
70456-73	47	71295-68	209	71861-29	207	74536-77	45		
	199	71297-68	209	71900-70	213		203		
70461-67	199	71300-68A	209	72001-69B	205	74539-77	45		
70551-69	199	71301-77	183		213		203		
70552-69	199	71425-77	215	72005-73A	213	74589-73	213		
70553-69	199	71451-76	215	72015-39	213	74594-71	213		
70554-69	199	71463-73	217	72023-51	213	74598-73	213		
70555-69	199	71465-65	217	72034-71	203	74599-77	213		
70556-71	199	71466-65	217	72035-71	203	75000-69A	211		
70558-71	199	71467-65	217	72037-71	203	75002-69A	211		
70559-71	199	71469-65	217	72038-71	187	75002-77	211		
70574-68	209	71473-77	217		203	75003-69	211		
70576-68	129	71483-72	205		211	75005-69	211		
	183	71484-72	205	72039-71	203	75005-77	211		
	191	71500-36A	215	72041-71	203	75006-69	211		
	197	71506-36A	215	72043-71	203	75010-79	211		
	201	71507-71	217	72044-71	203	83162-51	21		
	209	71510-36A	215	72046-79	203		45		
	211	71516-36	215	72047-71	203	85210-42A	135		
70577-26	149	71519-75	205	72051-77	45	90840-79	127		
70578-71	201	71524-59A	215		203	90840-80	127		
70584-69	197	71525-36	215	72275-74	203	91701-49	73		
	201	71530-66	215		211		139		
	213	71533-72	205	72276-74	203	91704-15	199		
70600-74	183	71534-72	205	72277-74	203	91878-77	167		
70900-77	183	71535-72	205	72278-74	203	92040-74	183		
70901-77	183	71539-73B	205	72300-70	209	92040-76	183		
70902-77	183	71546-75	205	72303-70	209	92041-74	183		
70903-77	183	71547-75	205	72341-56A	45	92042-78A	183		
70904-77	183	71550-36	215		49	92045-76	183		
70905-77	183	71550-75	215		209		187		
71027-68	209	71552-75	215	72501-74	203	92046-78	183		
71028-68	209	71554-75	215	72502-74	203	92074-73	183		
71029-68	209	71559-73	205	74400-68A	211	95578-41	101		
71090-64	183	71560-36	215	74410-68	211		105		
	195	71562-36	215	74410-77	211		107		
	209	71580-36	215	74414-68	211	95581-47	101		
71092-68A	183	71587-36	215	74422-68	211		105		
	187	71623-75	215	74425-68	211		107		
71098-38	195	71626-59	215	74427-68	211	95582-47	101		
71099-74	183	71650-74	183	74430-70B	211		105		
71134-68	209	71650-75	183	74432-70B	211		107		
71138-68	209	71774-77	45	74433-70	211	95587-75	101		
71139-70	209		201	74442-68	211		105		
71141-68	209	71795-63A	183	74472-68	211		107		
71146-74	183		219	74479-68	211	95588-75	101		
71146-75	183	71802-26A	207	74480-65	211		105		
71151-67P	183	71804-65	207	74484-68	211		107		
71151-70	209	71811-26	207	74485-68	211	95590-77	103		
71161-70	209	71843-29	207	74510-70A	219		111		
71162-70	209	71847-70	191	74510-75	219	95591-77	103		

AME

Harley-Davidson

Milwaukee, Wisconsin 53201