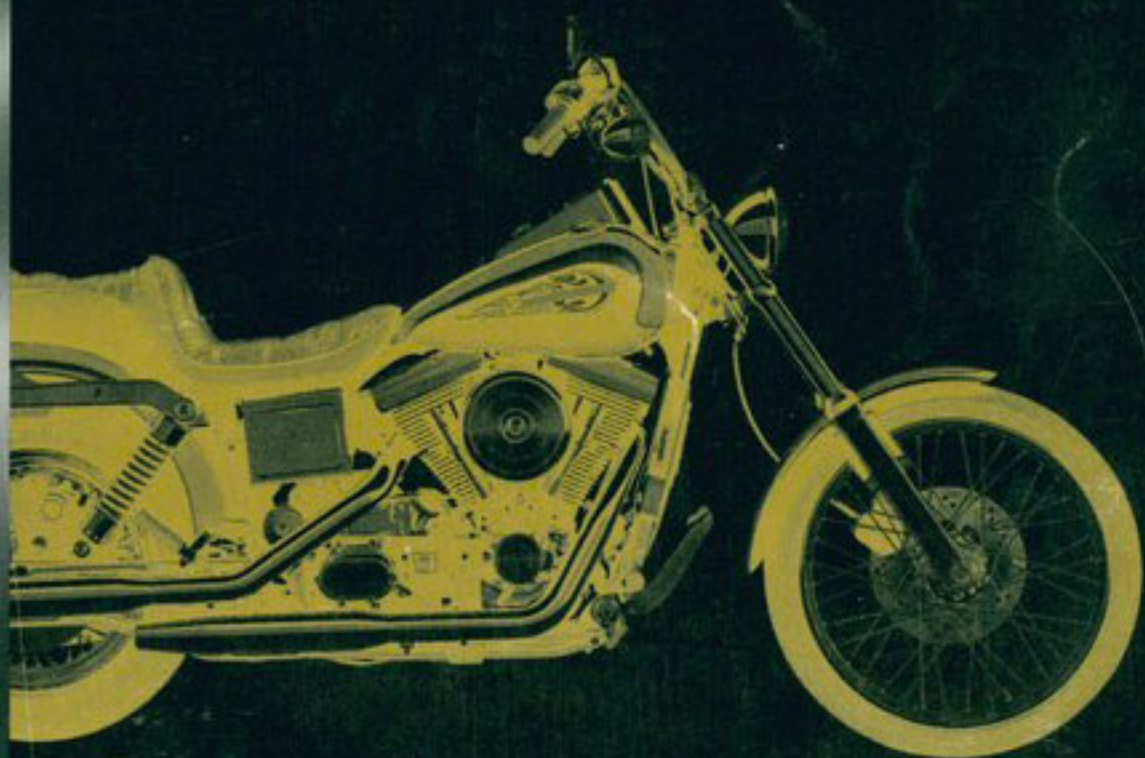


**PARTS**  
**DYNA® MODELS**  
**1998**  
**CATALOG**



**OFFICIAL FACTORY MANUAL**

**PN99439-98**

# 1998 HARLEY-DAVIDSON® PARTS CATALOG: DYNA MODELS

- Alphabetical List
- Parts
- Hardware List
- New Parts List
- Numerical Index
- Component Types and Introduction Dates
- Common Service Parts

## READER'S COMMENTS

The Harley-Davidson Service Communications Department maintains a continuous effort to improve the quality and usefulness of its publications. To do this effectively, we need user feedback - your critical evaluation of this manual.

Please comment on the completeness, accuracy, organization, usability, and readability of this manual.

---

---

---

---

Please list the page, item, and part number(s) of any errors you find in this manual.

---

---

---

---

Please tell us how we can improve this manual.

---

---

---

---

Name	Document 99439-98B
Occupation	Dealership



---

---

---

---

---

---

## GENERAL INFORMATION

**THIS IS NOT AN ASSEMBLY MANUAL AND SHOULD NOT BE USED AS SUCH.**

### About this Manual

This Parts Catalog has been prepared to make it easier for you to order parts for your motorcycles. The numbers shown in the illustrations correspond to the numbers in the "INDEX NO." column in the parts lists. Consult the illustrations when ordering parts to make sure that you receive all the required parts. The number in parentheses following the part description is the quantity needed for complete assembly. If there is no number in parentheses, only one is used. Prices of parts in this catalog are published separately.

When ordering parts, the following instructions should be followed carefully.

- Make sure to specify the correct part number for each item. The part numbers appear under the "PART NO." column in the parts lists.
- Orders may be placed via your computer for all parts. Review your system documentation on placing orders electronically. All non-warranty replacement crankcase orders require return of the complete left crankcase half with vehicle identification number (VIN). All non-warranty replacement frame orders require return of the steering neck with vehicle identification number (VIN). Non-compliance will result in a fine. See non-warranty frame and crankcase policy or contact Dealer Services.
- The sale or use of these parts or accessories does not grant the purchaser a license or other right under any Harley-Davidson patent.
- For all 2008 and later painted parts, refer to the Service Section of [h-dnet.com](http://h-dnet.com) which features a listing of painted part numbers, except CVO (Custom Vehicle Operations) models which are located in their own respective catalogs.
- All parts that were added for the new model year will have the entire line shaded on the parts list page. This can be used to identify any new parts that are unique to a specific model, and help distinguish new and previous model year parts.
- Parts marked "**RESTRICTED SALE PART**" are limited edition items and can only be ordered as direct replacements.
- Orientation symbols are used when the illustration is not in the standard "Right-Front" orientation. The symbol is a motorcycle with an arrow in the front indicating the direction of view. The symbol is at the bottom left or right side of the illustration page.
- To request a missing or loose part, simply submit a Return Material Authorization (RMA) claim on [h-dnet.com](http://h-dnet.com) with code "T-part not included with vehicle" for all vehicle missing parts claims. Then place an

order for the missing item on your next Parts and Accessories order. Upon filing the RMA claim, your dealership will be credited for the dealer net cost of the part. The Vehicle Identification Number must be included on the RMA claim in order for you to receive credit. This process is to be used for vehicles manufactured at all plants.

To the best knowledge of Harley-Davidson Motor Company, the material contained herein is accurate as of the date this publication was approved for printing. Harley-Davidson Motor Company reserves the right to change specifications, equipment or designs at any time without notice and without incurring obligation.

©2018 H-D.

## **GENERAL INFORMATION**

### **LOOSE PARTS**

The Loose Parts section is located at the back of this parts catalog. This section lists the parts which are shipped unfastened with the vehicles covered in this catalog.

### **HARDWARE LIST**

The Hardware List is located at the back of this parts catalog. This section contains the information for each piece of hardware found in each parts list.

### **NEW PARTS LIST**

The New Parts List is located at the back of this parts catalog. This list serves as a summary of new parts.

### **NUMERICAL INDEX**

The Numerical Index is located at the back of this parts catalog. This index includes all part numbers used in this catalog and the page numbers of where they can be found.

### **COMPONENT TYPES AND INTRODUCTION DATES**

The Component Types and Introduction Dates section is located at the back of this parts catalog. This section contains a list of component part numbers and year of introduction.

### **COMMON SERVICE PARTS**

The Common Service Parts section is located at the back of this parts catalog. This section contains the most commonly ordered parts for service on vehicles covered in this catalog. These parts are ordered through the normal ordering process.

### **SIP (SERVICE INFORMATION PORTAL)**

For the latest updates to these manuals, see the Service Information Portal.

### **VEHICLE IDENTIFICATION NUMBER**

See Figure 1. A unique 17-digit serial, or vehicle identification number (VIN), is assigned to each motorcycle. For a description of each digit in the vehicle identification number (VIN), refer to Table 1.

For all models except V-Rod the full 17-digit serial, or vehicle identification number (VIN), is stamped on the right side of the frame backbone at the rear of the steering head. The vehicle identification number (VIN) is also printed on a label on the right front downtube. An abbreviated vehicle identification number (VIN) is stamped on the left side crankcase between the front and rear cylinders.

For V-Rod models only the full 17-digit serial, or vehicle identification number (VIN), is stamped on the right side of the steering head. The vehicle identification number (VIN) is also printed on a label on the left frame tube above the front engine cylinder. An abbreviated vehicle identification number (VIN) is stamped on the left side crankcase below the rear cylinder head.

Always give the full 17-digit vehicle identification number (VIN) when ordering parts or making any inquiry about your motorcycle.

## 1998 DYNA MODELS

### VIN Model Codes

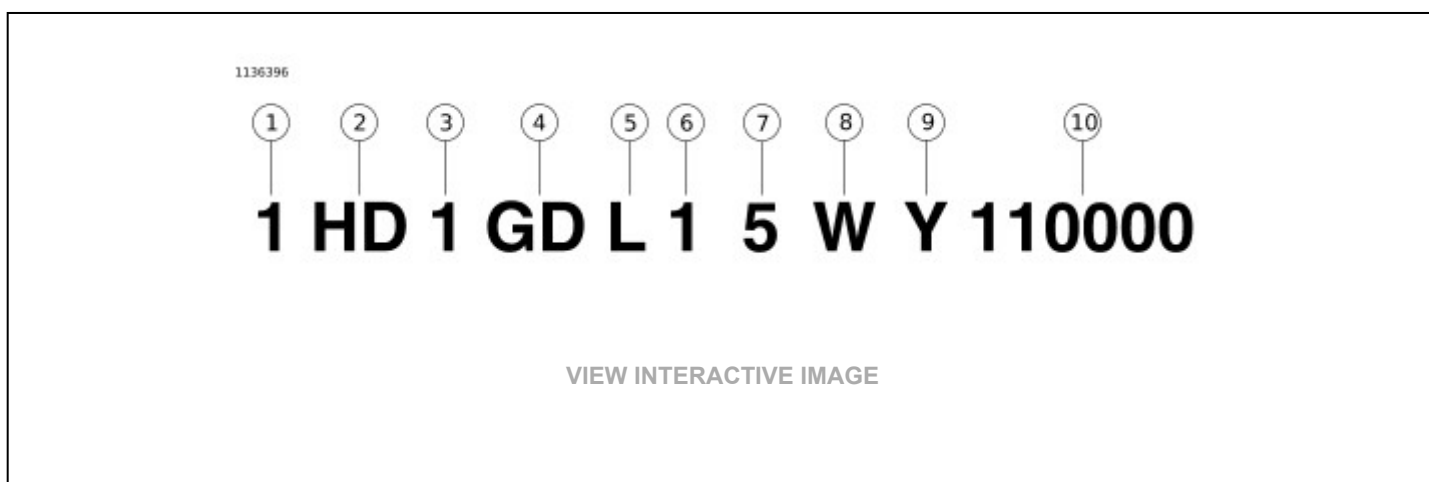


Figure 3. Typical Harley-Davidson VIN

Table 2. Harley-Davidson VIN Breakdown

POSITION	DESCRIPTION	POSSIBLE VALUES
1	Market designation	1=Originally manufactured for sale within the United States 5=Originally manufactured for sale outside of the United States
2	Manufacturer	HD=Harley-Davidson
3	Motorcycle type	1=Heavyweight motorcycle 901 cc and larger
4	Model	See model table
5	Engine type	L=Carbureted
6	Introduction date	1=Regular 2=Mid-year 3=California 4=Special Edition 5=Special Edition Cal. Only
7	V.I.N. check digit	Can be 0-9 or X
8	Model year	W=1998

POSITION	DESCRIPTION	POSSIBLE VALUES
9	Assembly plant	Y=York, PA
10	Sequential number	varies

Table 3. VIN Model Codes

CODE	MODEL NAME	CODE	MODEL NAME
GD	FXDL	GH	FXD
GE	FXDWG	GG	FXDS-CON

## NOTES

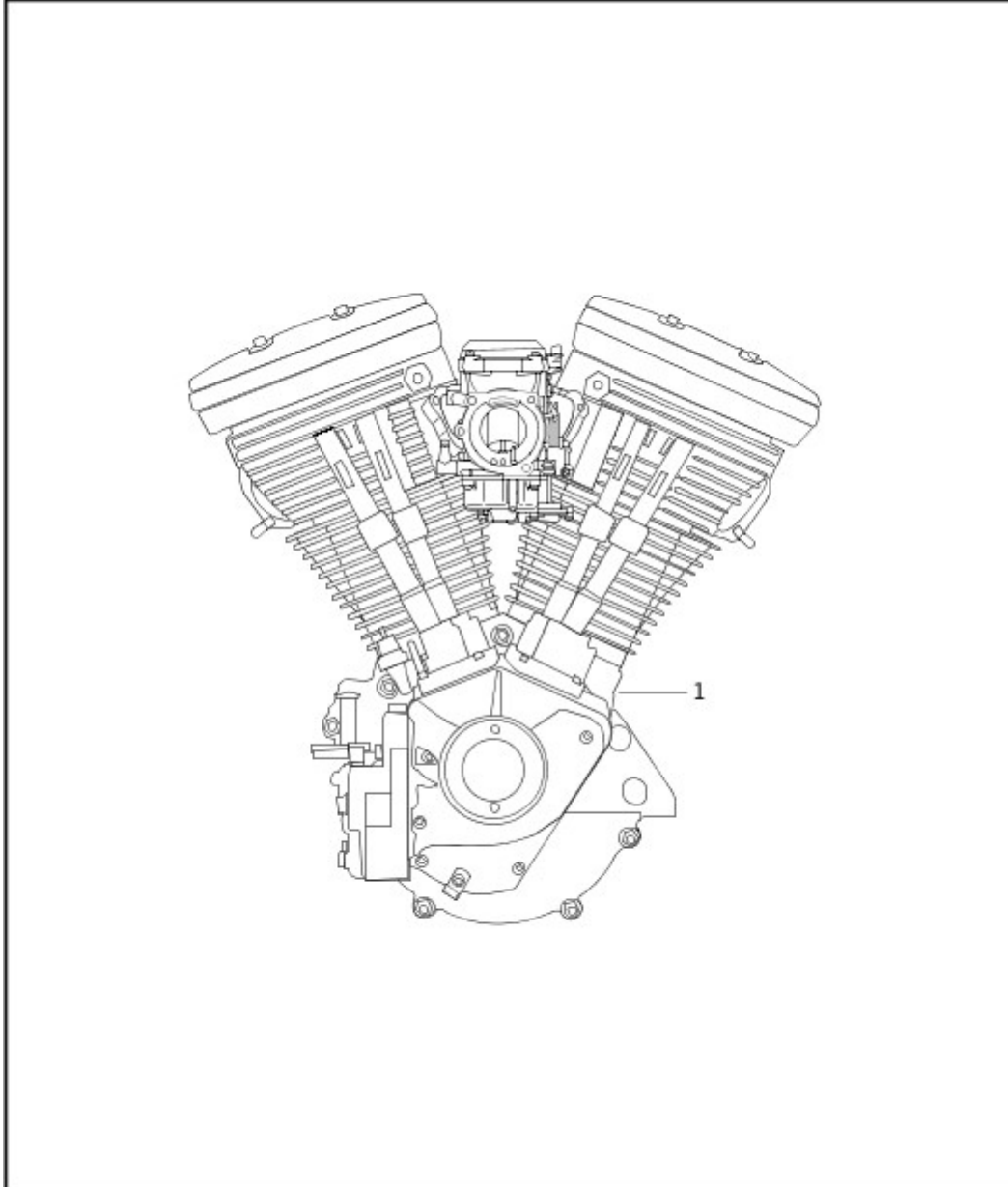
AIR CLEANER & ENRICHENER  
 ALTERNATOR & REGULATOR  
 AXLE, FRONT  
 AXLE, REAR  
 BATTERY CABLES  
 BATTERY TRAY & BATTERY  
 BELTS, CHAINS, SPROCKETS & REAR BELT GUARD  
 BRACKET, HEADLAMP  
 BRAKE CONTROL, FRONT  
 BRAKE CONTROL, REAR  
 BRAKE DISC, FRONT  
 BRAKE DISC, REAR  
 BRAKE LINES, FRONT  
 BRAKE LINES, REAR  
 CABLE, CLUTCH CONTROL  
 CALIFORNIA EVAPORATIVE EMISSIONS KIT  
 CALIPER, FRONT  
 CALIPER, REAR  
 CAM POSITION SENSOR & VACUUM SWITCH  
 CARBURETOR (1 OF 2)  
 CARBURETOR (2 OF 2)  
 CLAMPS, HANDLEBAR UPPER & LOWER  
 CLUTCH  
 CLUTCH CONTROL  
 CRANKCASE  
 CRANKCASE - GEAR SIDE  
 CYLINDERS, VALVES & HEADS - V2™ EVOLUTION  
 DECALS, FUEL TANK  
 ENGINE  
 EXHAUST SYSTEM  
 FOOTRESTS  
 FRAME & JIFFY STAND  
 FRONT & REAR FENDER & REAR FENDER COVERS  
 FRONT BRAKE CALIPER  
 FRONT BRAKE CONTROL

FRONT FORK - FXD, FXDL & FXDS-CON (1 OF 2)  
FRONT FORK - FXD, FXDL & FXDS-CON (2 OF 2)  
FRONT FORK - FXDWG  
FRONT TURN SIGNALS  
FRONT WHEEL  
FUEL TANK INSTRUMENTS - FXD & FXDS-CON  
FUEL TANK TRIM  
FUEL TANKS  
GASKET KIT - ENGINE OVERHAUL  
GASKET KIT - TOP OVERHAUL  
GEAR SHIFTER (1 OF 2)  
GEAR SHIFTER (2 OF 2)  
GEARS, TRANSMISSION  
HAND LEVER, CLUTCH CONTROL  
HANDLEBAR  
HANDLEBAR GRIPS  
HANDLEBAR SWITCHES  
HEADLAMP  
HORN  
IGNITION MODULE & COIL  
INSTRUMENTS - FXD & FXDS-CON  
INSTRUMENTS - FXDL  
INSTRUMENTS - FXDWG  
JIFFY STAND  
LICENSE PLATE BRACKETS  
MASTER CYLINDER, W/ HAND LEVER (FRONT)  
MASTER CYLINDER, w/ BRAKE PEDAL (REAR)  
MIRRORS  
OIL FILTERS & MOUNTS  
OIL PUMP  
PISTONS, CONNECTING RODS & FLYWHEELS  
PRIMARY COVER  
PRIMARY HOUSING  
PUMP, OIL  
REAR BRAKE CALIPER  
REAR BRAKE CONTROL  
REAR FORK  
REAR WHEEL  
RELAY, STARTER  
ROCKER ARMS, COVERS & PUSHRODS - V2™ EVOLUTION  
SADDLEBAGS - FXDS-CON  
SEATS & SISSY BAR  
SHOCK ABSORBERS - HYDRAULIC  
SPROCKET, REAR 66T  
STARTER MOTOR  
SWITCHES & CIRCUIT BREAKERS  
TAIL LAMP & REAR TURN SIGNALS  
THROTTLE CONTROL  
TRANSMISSION BEARINGS & SIDE COVERS  
TRANSMISSION BEARINGS  
TRANSMISSION GEARS  
TRANSMISSION HOUSING & OIL TANK  
VOLTAGE REGULATOR



WHEEL, FRONT  
WHEEL, REAR  
WINDSHIELD - FXDS-CON  
WIRING HARNESS, MAIN  
Parts

## ENGINE



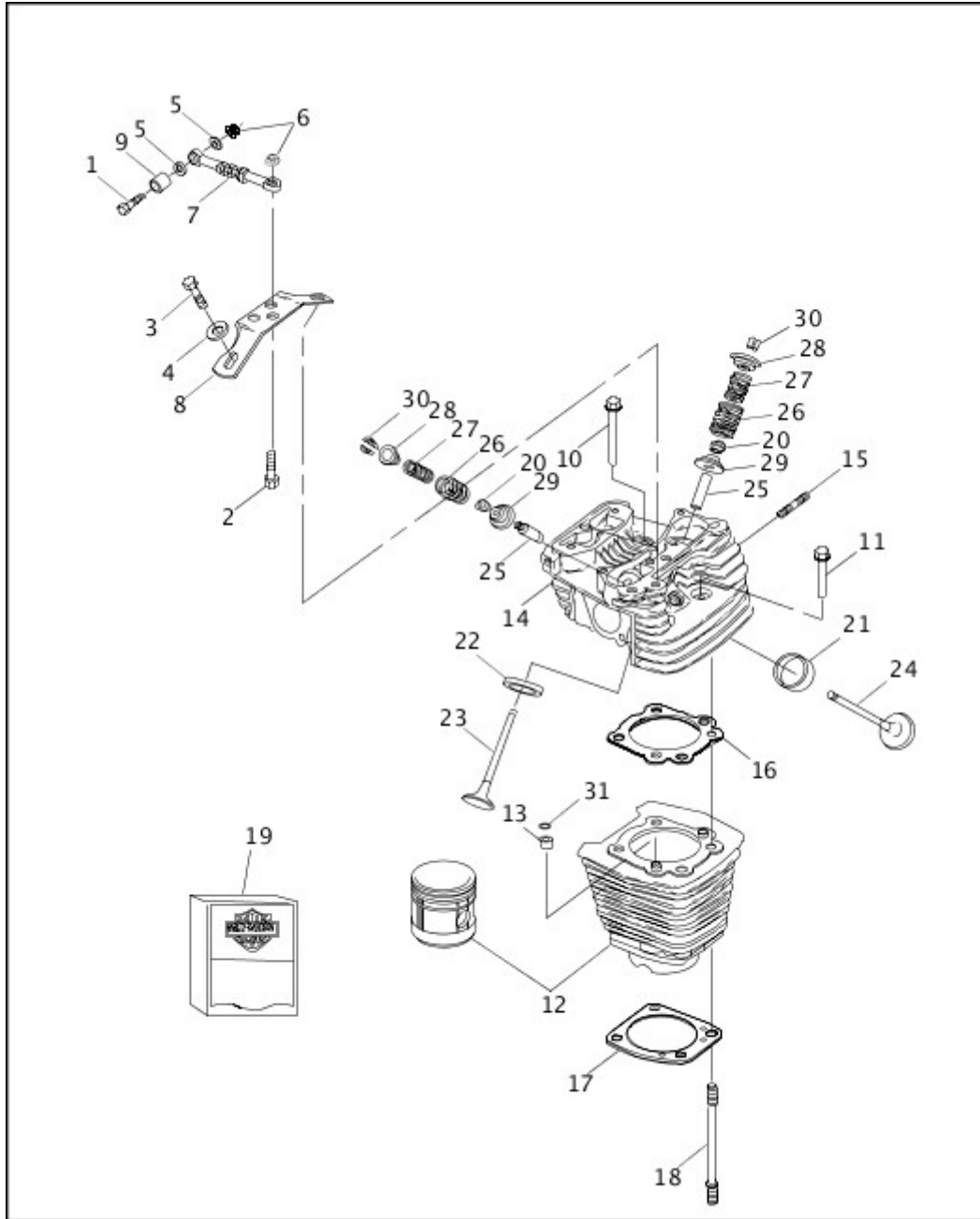
VIEW INTERACTIVE IMAGE

[View interactive table](#)

INDEX NO.	PART NO.	DESCRIPTION	MODEL(S)
1	16165-98	ENGINE ASSEMBLY, complete (chrome and black)	FXDL, FXDS CONV, FXDWG
	16166-98	ENGINE ASSEMBLY, complete (chrome and black) (California)	FXDL, FXDS CONV, FXDWG
	16174-98	ENGINE ASSEMBLY, complete	FXD

INDEX NO.	PART NO.	DESCRIPTION	MODEL(S)
	16175-98	ENGINE ASSEMBLY, complete (California)	FXD
<b>INTERNATIONAL MODELS ONLY</b>			
	16167-98	ENGINE ASSEMBLY, complete (chrome and black) (HDI)	FXDL, FXDS CONV, FXDWG
	16178-98	ENGINE ASSEMBLY, complete (HDI)	FXD

## CYLINDERS, VALVES & HEADS - V2™ EVOLUTION



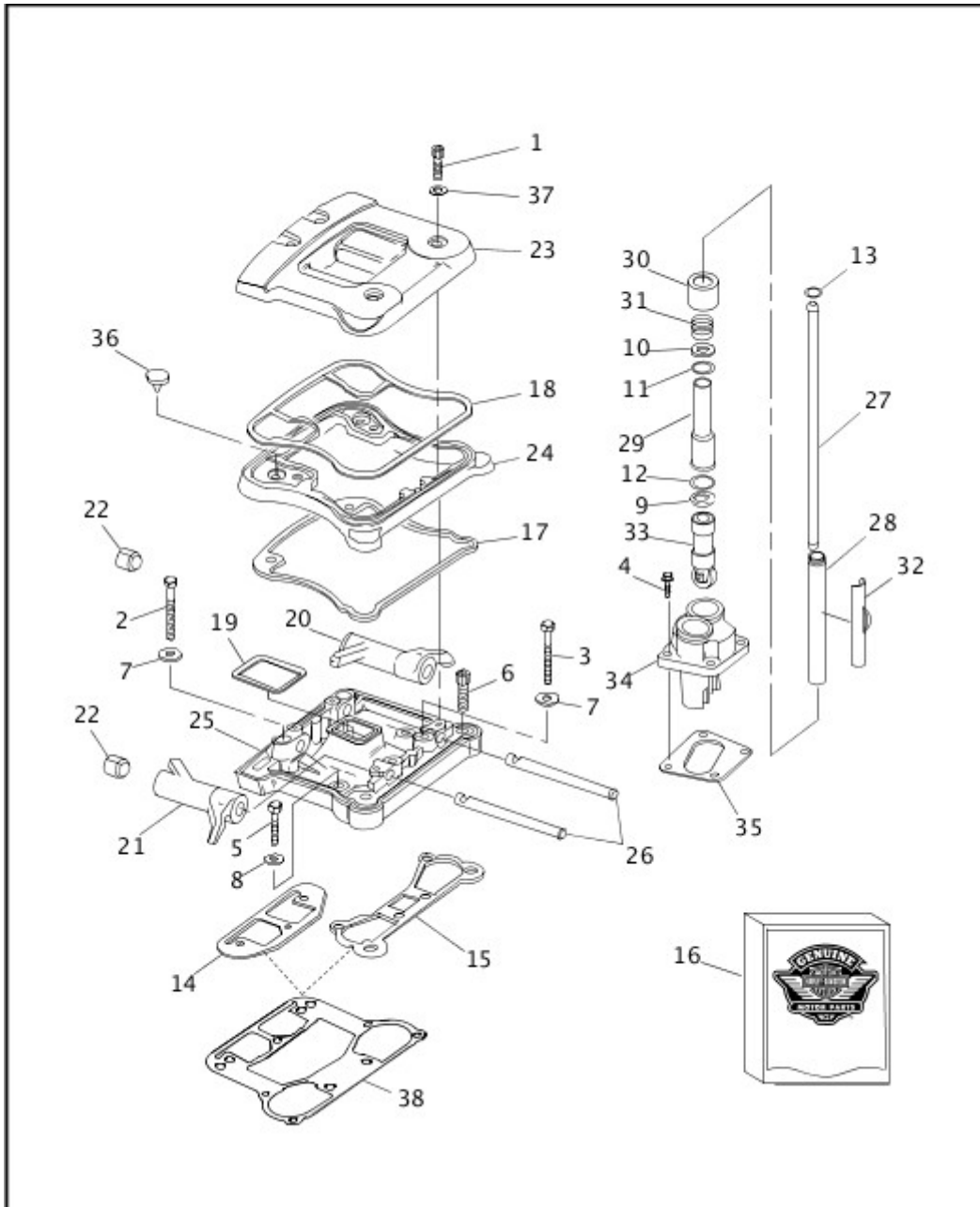
[VIEW INTERACTIVE IMAGE](#)

[View interactive table](#)

INDEX NO.	PART NO.	DESCRIPTION	MODEL(S)
1	855B	SCREW	ALL
2	4721	BOLT	ALL
3	4716W	SCREW (2)	ALL
4	6019	WASHER (2)	ALL
5	6701	WASHER (2)	ALL
6	7601	LOCKNUT, flange	ALL
7	16258-95C	STABILIZER LINK, top	ALL
8	16242-90	BRACKET, engine mounting	ALL
9	16241-90	SPACER	ALL
10	16478-85A	SCREW, internal thread (4)	ALL
11	16480-92A	SCREW, internal thread (4)	ALL
12	16510-83A	CYLINDER, w/ piston (2)	FXD
	16512-86A	CYLINDER, w/ piston (black) (2)	FXDL, FXDS CONV, FXDWG
13	16573-83A	INSERT, cylinder stud (4)	ALL
14	16690-92B	HEAD, rear cylinder, w/ guides & seats	FXD
	16691-92B	HEAD, front cylinder, w/ guides & seats	FXD
	16692-95	HEAD, front cylinder, w/ guides & seats (black)	FXDL, FXDS CONV, FXDWG
	16696-92A	HEAD, rear cylinder, w/ guides & seats (black)	FXDL, FXDS CONV, FXDWG
15	16715-83	STUD, exhaust port (4)	ALL
16	16770-84F	GASKET, cylinder head (2)	ALL
17	16774-86D	GASKET, cylinder base (2)	ALL
18	16837-85C	STUD, cylinder base (8)	ALL
19	17040-92A	GASKET KIT, top overhaul	ALL
	17041-92A	GASKET KIT, engine overhaul	ALL
20	18001-83B	SEAL, valve (4)	ALL
21	18011-86	INSERT, exhaust valve seat (2)	ALL
22	18020-83	INSERT, intake valve seat (2)	ALL
23	18074-83B	INTAKE VALVE (2)	ALL
	18076-83	INTAKE VALVE, 0.03 short (2)	ALL
24	18082-83A	EXHAUST VALVE (2)	ALL

INDEX NO.	PART NO.	DESCRIPTION	MODEL(S)
	18087-83	EXHAUST VALVE, 0.030 short (2)	ALL
25	18101-83D	VALVE GUIDE, intake & exhaust (4)	ALL
	18130-83D	VALVE GUIDE, intake & exhaust, 0.001 O.S. (4)	ALL
	18131-83D	VALVE GUIDE, intake & exhaust, 0.003 O.S. (4)	ALL
	18133-83B	VALVE GUIDE, intake & exhaust, 0.002 O.S. (4)	ALL
26	18201-83	VALVE SPRING, outer (4)	ALL
27	18202-83	VALVE SPRING, inner (4)	ALL
28	18219-83A	COLLAR, valve spring, upper (4)	ALL
29	18222-83A	COLLAR, valve spring, lower (4)	ALL
30	18229-83A	RETAINER, valve collar (8)	ALL
31	26432-76A	O-RING, cylinder stud insert (4)	ALL

## ROCKER ARMS, COVERS & PUSHRODS - V2™ EVOLUTION



VIEW INTERACTIVE IMAGE

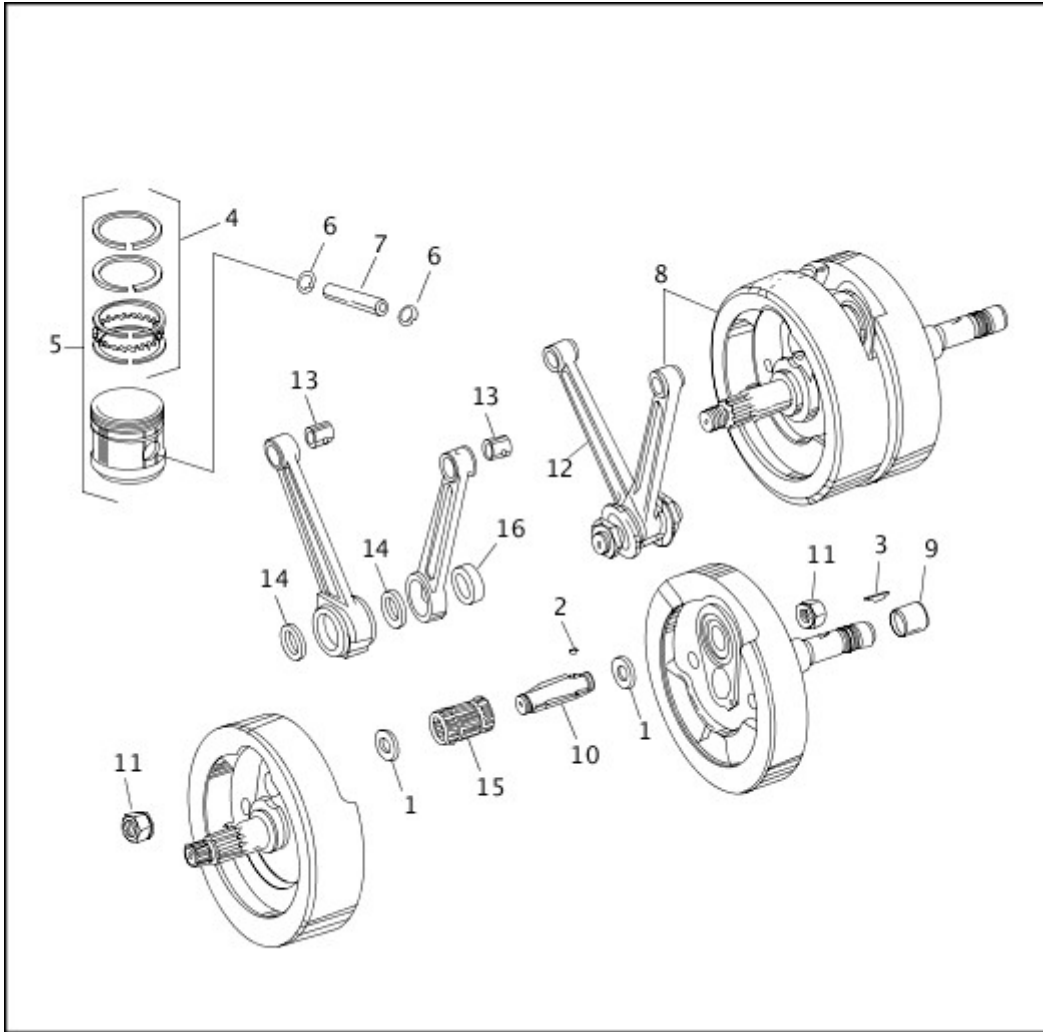
View interactive table

INDEX NO.	PART NO.	DESCRIPTION	MODEL(S)
1	882	SCREW (8)	ALL
2	3500A	BOLT (4)	ALL
3	3501A	BOLT (4)	ALL
4	3770	SCREW (8)	ALL
5	3849	SCREW (6)	ALL
6	4718A	SCREW (4)	ALL

INDEX NO.	PART NO.	DESCRIPTION	MODEL(S)
7	6016	WASHER (8)	ALL
8	6736	WASHER (6)	ALL
9	6737	WASHER (4)	ALL
10	6762B	WASHER (4)	ALL
11	11132A	O-RING, pushrod cover (4)	ALL
12	11145A	O-RING, pushrod cover (4)	ALL
13	11157	O-RING (4)	ALL
14	16778-84A	GASKET, cylinder head, right (use 16800-84A) (2)	ALL
15	16779-84B	GASKET, cylinder head, left (use 16800-84A) (2)	ALL
16	17042-92A	GASKET KIT, rocker boxes, w/ 14, 15, 17, 18, 19, 36 & 37	ALL
17	17355-92A	GASKET, rocker cover, lower (2)	ALL
18	17356-92A	GASKET, rocker cover, upper (2)	ALL
19	17358-84B	GASKET, rocker cover, inner (2)	ALL
20	17360-83A	ROCKER ARM, front intake, rear exhaust (2)	ALL
21	17375-83A	ROCKER ARM, rear intake, front exhaust (2)	ALL
22	17429-91	BEARING, rocker arm (8)	ALL
23	17503-92A	ROCKER COVER, outer (2)	FXD
	17528-92	ROCKER COVER, outer (chrome) (2)	FXDL, FXDS CONV, FXDWG
24	17510-92A	SPACER, rocker covers (2)	FXD
	17529-92	SPACER, rocker covers (chrome) (2)	FXDL, FXDS CONV, FXDWG
25	17521-92A	ROCKER COVER, inner (2)	FXD
	17530-92	ROCKER COVER, inner (chrome) (2)	FXDL, FXDS CONV, FXDWG

INDEX NO.	PART NO.	DESCRIPTION	MODEL(S)
26	17611-83	SHAFT, rocker arm (4)	ALL
27	17921-83A	PUSHROD, rear exhaust, 11.210 inch	ALL
	17924-83A	PUSHROD, rear intake, 11.045 inch	ALL
	17927-83A	PUSHROD, front exhaust, 11.325 inch	ALL
	17930-83A	PUSHROD, front intake, 11.090 inch	ALL
28	17935-79B	COVER, pushrod, upper (4)	ALL
29	17938-83	COVER, pushrod, lower (4)	ALL
30	17945-36B	CAP, cover spring (4)	ALL
31	17947-36	SPRING, pushrod cover (4)	ALL
32	17950-66	RETAINER, spring cap (4)	ALL
33	18523-86B	TAPPET, w/ roller (4)	ALL
34	18540-83C	TAPPET GUIDE, rear	FXD
	18622-85B	TAPPET GUIDE, rear (black)	FXDL, FXDS CONV, FXDWG
	18542-83C	TAPPET GUIDE, front	FXD
	18623-85B	TAPPET GUIDE, front (black)	FXDL, FXDS CONV, FXDWG
35	18633-48D	GASKET, tappet guide, rear	ALL
	18634-48C	GASKET, tappet guide, front	ALL
36	26856-89A	VALVE, umbrella	ALL
37	63858-49	GASKET (8)	ALL
38	16800-84A	GASKET, rocker cover/cylinder head, valve & push rod sides (replaces 16778-84A & 16779-84B) (8)	ALL

## PISTONS, CONNECTING RODS & FLYWHEELS



VIEW INTERACTIVE IMAGE

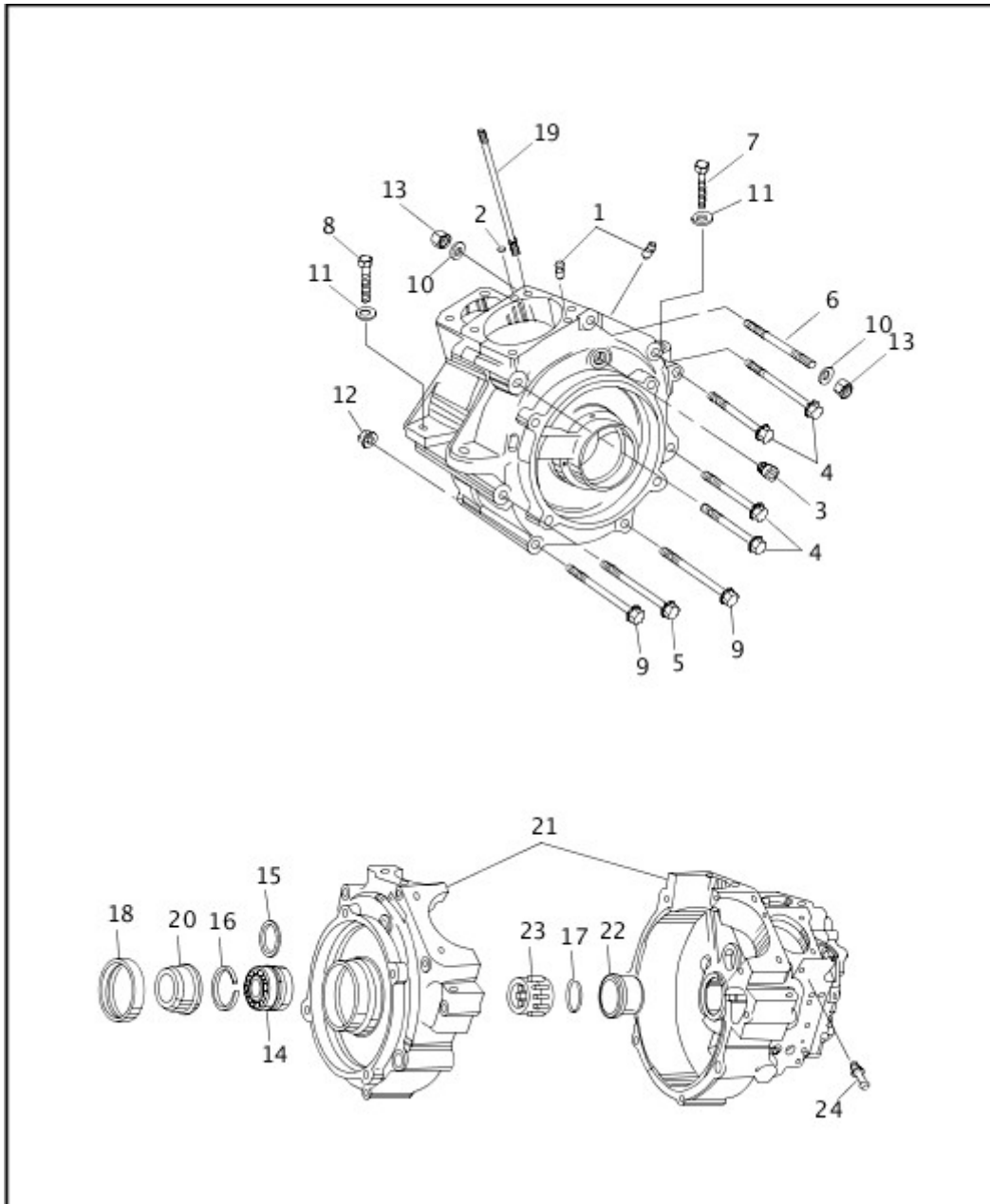
View interactive table

INDEX NO.	PART NO.	DESCRIPTION	MODEL(S)
1	6506	WASHER (bronze) (2)	ALL
2	11218	KEY, crank pin & gearshaft	ALL
3	11219	T-KEY	ALL
4	21920-83	PISTON RING SET, standard (2)	ALL
	21921-83	PISTON RING SET, 0.005 inch O.S. (2)	ALL
	21922-83	PISTON RING SET, 0.010 inch O.S. (2)	ALL
	21923-83	PISTON RING SET, 0.020 inch O.S. (2)	ALL
	21924-83	PISTON RING SET, 0.030 inch O.S. (2)	ALL
5	21940-83	PISTON RINGS ASSEMBLY, standard (2)	ALL
	21941-83	PISTON AND RINGS ASSEMBLY, 0.005 inch O.S. (2)	ALL
	21942-83	PISTON AND RINGS ASSEMBLY, 0.010 inch O.S. (2)	ALL



INDEX NO.	PART NO.	DESCRIPTION	MODEL(S)
	21943-83	PISTON AND RINGS ASSEMBLY, 0.020 inch O.S. (2)	ALL
	21944-83	PISTON AND RINGS ASSEMBLY, 0.030 inch O.S. (2)	ALL
6	22589-83B	LOCK RING, piston pin (4)	ALL
7	22764-83	PISTON PIN (2)	ALL
8	23906-93B	SET OF FLYWHEELS & SHAFT, w/ rods	ALL
9	23928-87	INNER RING	ALL
10	23961-80A	CRANK PIN, standard	ALL
	23974-87	CRANK PIN, 0.001 inch O.S.	ALL
	23975-87	CRANK PIN, 0.002 inch O.S.	ALL
11	23981-98	NUT, crank pin (2)	ALL
12	24281-83	SET OF RODS, w/ bearings & crank pin	ALL
13	24334-36	BUSHING, piston pin, 0.002 inch O.S. (2)	ALL
	24335-36	BUSHING, piston pin, 0.010 inch O.S. (2)	ALL
14	24345-36A	BUSHING, rear conn. rod, lower (2)	ALL
15	24346-87A	BEARING SET	ALL
16	24356-36A	BUSHING, front connecting rod, lower	ALL

## CRANKCASE



VIEW INTERACTIVE IMAGE

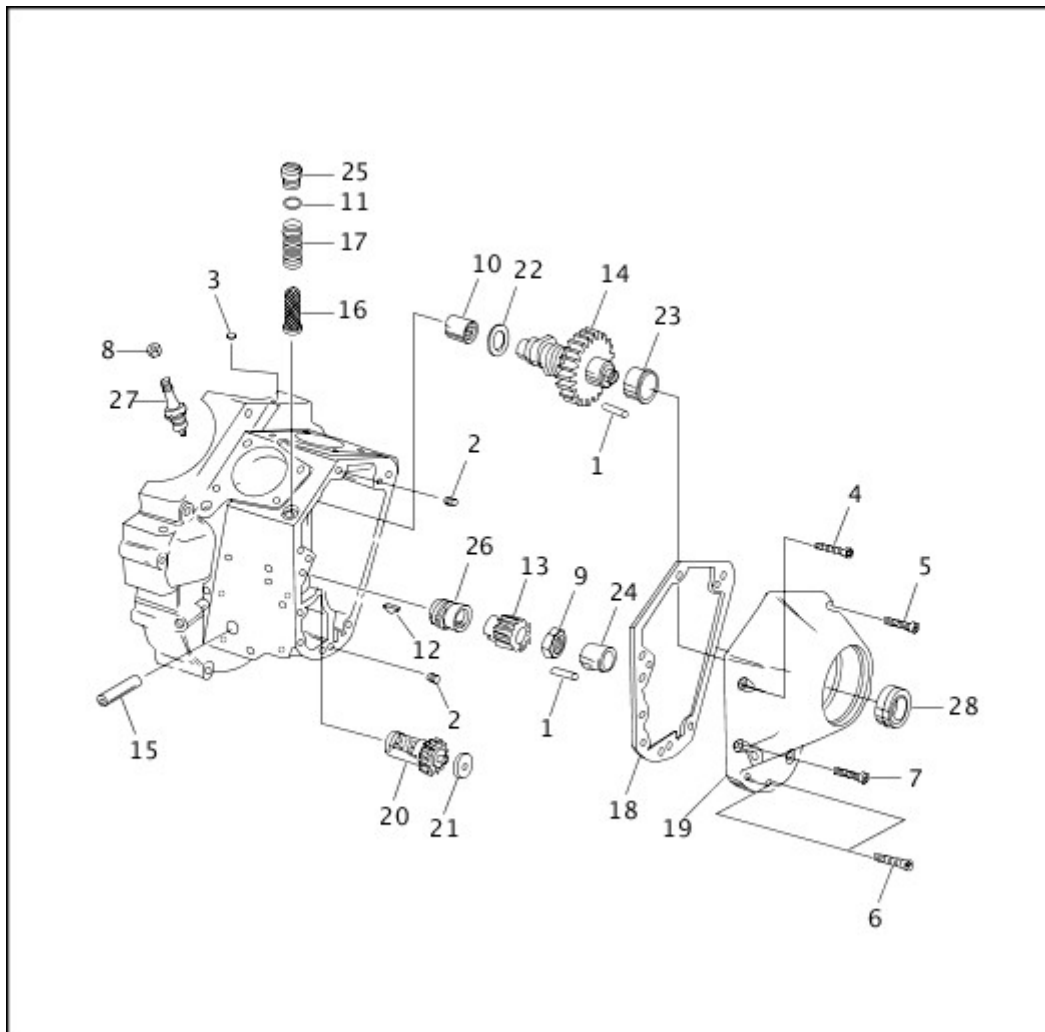
View interactive table

INDEX NO.	PART NO.	DESCRIPTION	MODEL(S)
1	358	DOWEL PIN (2)	ALL
2	653	EXPANSION PLUG	ALL
3	720	PLUG, timing hole	ALL
4	3398	SCREW (4)	ALL
5	3504A	BOLT	ALL
6	3506	STUD	ALL
7	3528	BOLT (2)	ALL

INDEX NO.	PART NO.	DESCRIPTION	MODEL(S)
8	3554	BOLT (2)	ALL
9	3613	SCREW (2)	ALL
10	6016	WASHER (2)	ALL
11	6019	WASHER (4)	ALL
12	7593	NUT, flange (3)	ALL
13	7883	NUT (2)	ALL
14	9028	BEARING ASSEMBLY, sprocket shaft	ALL
15	9110	SHIM, bearing assembly, 0.0905 - .0895 inch	ALL
	9120	SHIM, bearing assembly, 0.0925 - .0915 inch	ALL
	9121	SHIM, bearing assembly, 0.0945 - .0935 inch	ALL
	9122	SHIM, bearing assembly, 0.0965 - .0955 inch	ALL
	9123	SHIM, bearing assembly, 0.0985 - .0975 inch	ALL
	9124	SHIM, bearing assembly, 0.1005 - .0995 inch	ALL
	9125	SHIM, bearing assembly, 0.1025 - .1015 inch	ALL
	9126	SHIM, bearing assembly, 0.1045 - .1035 inch	ALL
	9127	SHIM, bearing assembly, 0.1065 - .1055 inch	ALL
	9128	SHIM, bearing assembly, 0.1085 - .1075 inch	ALL
	9129	SHIM, bearing assembly, 0.1105 - .1095 inch	ALL
	9130	SHIM, bearing assembly, 0.1125 - .1115 inch	ALL
	9131	SHIM, bearing assembly, 0.1145 - .1135 inch	ALL
	9132	SHIM, bearing assembly, 0.1165 - .1155 inch	ALL
	9133	SHIM, bearing assembly, 0.1185 - .1175 inch	ALL
	9134	SHIM, bearing assembly, 0.1205 - .1195 inch	ALL
16	11160A	RETAINING RING, bearing, left	ALL
17	11177A	RETAINING RING, bearing, right	ALL
18	12026B	OIL SEAL	ALL
19	16837-85C	STUD, cylinder base (8)	ALL
20	24002-70	SPACER, sprocket shaft	ALL
21	24571-93	SET OF CRANKCASES (black)	FXDL, FXDS CONV, FXDWG
	24572-93A	SET OF CRANKCASES	FXD

INDEX NO.	PART NO.	DESCRIPTION	MODEL(S)
22	24599-93	BUSHING, right crankcase, standard	ALL
	24600-58B	BUSHING, right crankcase, 0.002 inch O.S.O.D.	ALL
	24601-58B	BUSHING, right crankcase, 0.005 inch O.S.O.D.	ALL
23	24626-87A	BEARING SET, gear side (white/gray)	ALL
	24628-87A	BEARING SET, gear side (green)	ALL
	24641-87A	BEARING SET, gear side (red)	ALL
	24643-87A	BEARING SET, gear side (blue)	ALL
24	63533-41A	FITTING, oil hose	ALL

## CRANKCASE - GEAR SIDE



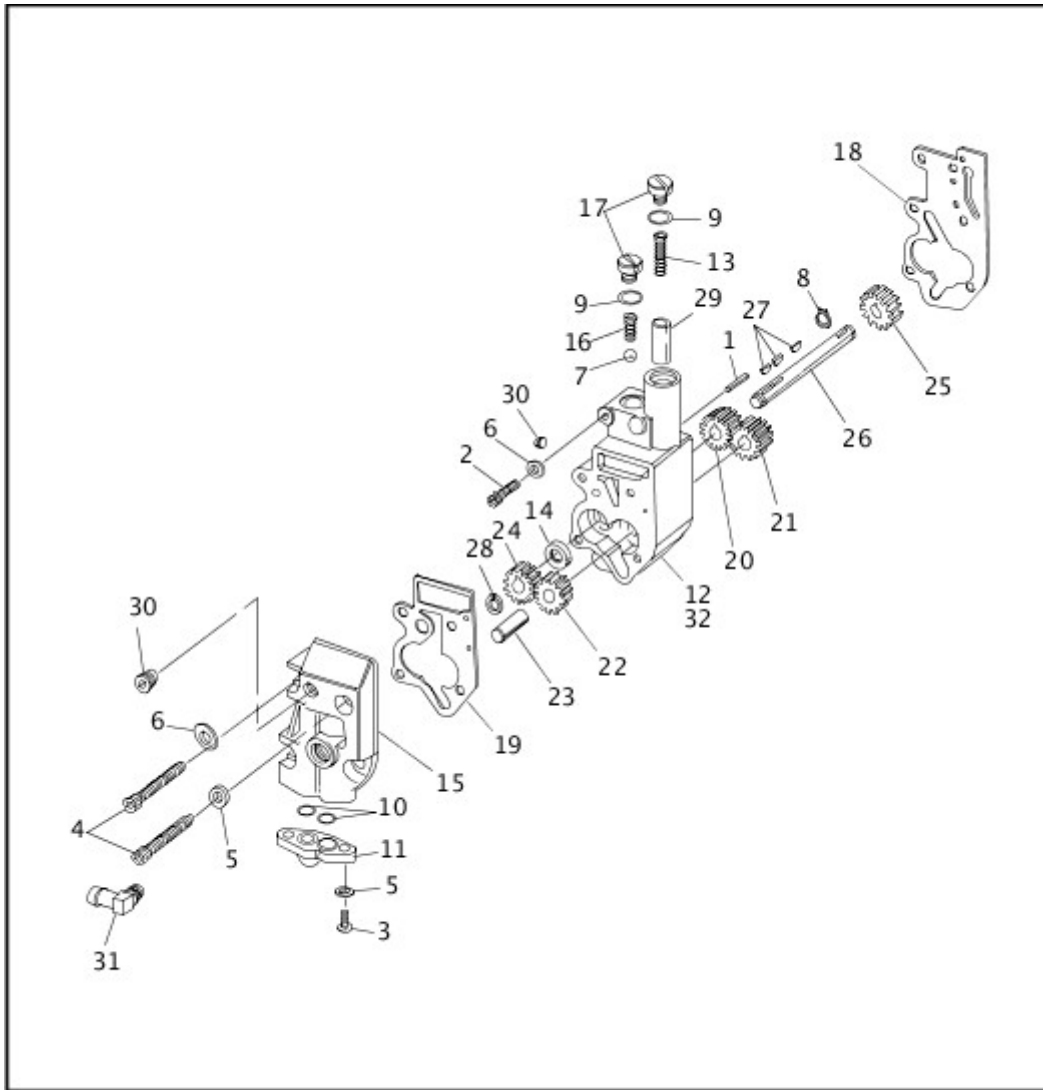
VIEW INTERACTIVE IMAGE

[View interactive table](#)

INDEX NO.	PART NO.	DESCRIPTION	MODEL(S)
1	275	DOWEL PIN (as required) (2)	ALL
2	366	DOWEL PIN (2)	ALL
3	653	PLUG, crankcase	ALL
4	3480A	SCREW	ALL
5	4813A	SCREW	ALL
6	4718A	SCREW (2)	ALL
7	4740A	SCREW	ALL
8	7629	NUT	ALL
9	7916A	JAMNUT, gear shaft	ALL
10	9058	NEEDLE BEARING, crankcase cam cover	ALL
11	11105	O-RING	ALL
12	11219	T-KEY	ALL
13	24040-93	PINION GEAR, 1.4850-53 p.d. (orange)	ALL
	24041-93	PINION GEAR, 1.4846-49 p.d. (white)	ALL
	24042-93	PINION GEAR, 1.4842-45 p.d. (yellow)	ALL
	24043-93	PINION GEAR, 1.4838-41 p.d. (red)	ALL
	24044-93	PINION GEAR, 1.4834-37 p.d. (blue)	ALL
	24045-93	PINION GEAR, 1.4830-33 p.d. (green)	ALL
	24046-93	PINION GEAR, 1.4826-29 p.d. (black)	ALL
14	24586-93	SET OF CAM & PINION GEARS (matched)	ALL
15	24641-36	BUSHING, oil pump shaft	ALL
16	24981-70	OIL SCREEN, crankcase	ALL
17	24982-70	SPRING, oil screen	ALL
18	25225-93B	GASKET, gear cover	ALL
19	25254-93B	GEAR COVER	FXD
	25256-93A	GEAR COVER (chrome)	FXDL, FXDS CONV, FXDWG
20	25310-82A	BREATHER VALVE GEAR	ALL
21	25320-82	THRUST WASHER, breather valve, 0.130 inch thick	ALL
	25321-82	THRUST WASHER, breather valve, 0.135 inch thick	ALL
	25322-82	THRUST WASHER, breather valve, 0.140 inch thick	ALL

INDEX NO.	PART NO.	DESCRIPTION	MODEL(S)
	25323-82	THRUST WASHER, breather valve, 0.145 inch thick	ALL
	25325-82	THRUST WASHER, breather valve, 0.150 inch thick	ALL
	25326-82	THRUST WASHER, breather valve, 0.155 inch thick	ALL
	25327-82	THRUST WASHER, breather valve, 0.160 inch thick	ALL
	25328-82	THRUST WASHER, breather valve, 0.165 inch thick	ALL
22	25550-57A	THRUST WASHER, cam gear	ALL
23	25581-70	BUSHING, gear cover	ALL
24	25582-93	BUSHING, gear cover pinion shaft	ALL
25	26263-80	PLUG, oil screen	ALL
26	26354-93	DRIVE GEAR, oil pump	ALL
27	26561-84	OIL PRESSURE SWITCH	ALL
28	83162-51	OIL SEAL, bearing	ALL

## OIL PUMP



VIEW INTERACTIVE IMAGE

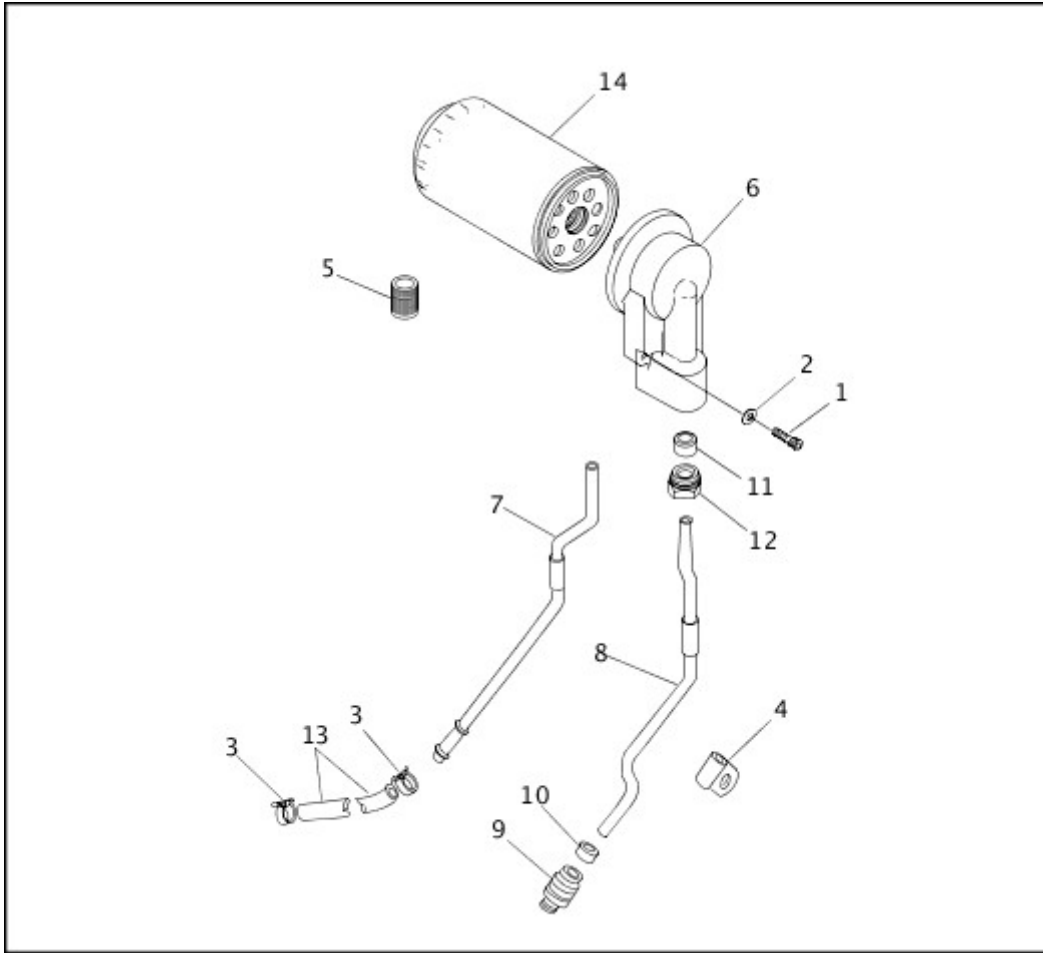
[View interactive table](#)

INDEX NO.	PART NO.	DESCRIPTION	MODEL(S)
1	239	PIN, valve stop	ALL
2	891	SCREW (2)	ALL
3	942	SCREW (2)	ALL
4	4742A	SCREW (4)	ALL
5	6099	WASHER (2)	ALL
6	6239	WASHER (4)	ALL
7	8873	BALL, check valve, 3/8 inch diameter	ALL
8	11002	RETAINING RING, oil pump	ALL
9	11105	O-RING, check valve cover screw (2)	ALL
10	11241	O-RING (2)	ALL

INDEX NO.	PART NO.	DESCRIPTION	MODEL(S)
11	26030-92A	END CAP (black)	ALL
12	26225-92	BODY, oil pump	FXD
	26226-92	BODY, oil pump (black)	FXDL, FXDS CONV, FXDWG
13	26207-83	SPRING, relief valve	ALL
14	26227-58	OIL SEAL	ALL
15	26267-92	COVER, oil pump (black)	FXDL, FXDS CONV, FXDWG
	26270-92	COVER, oil pump	FXD
16	26262-80	SPRING, check valve	ALL
17	26263-80	COVER SCREW, check & relief valves (2)	ALL
18	26273-92A	GASKET, body (paper)	ALL
19	26276-92A	GASKET, cover (paper)	ALL
20	26315-68A	DRIVE GEAR	ALL
21	26317-68A	IDLER GEAR	ALL
22	26326-62A	DRIVE IDLER GEAR	ALL
23	26327-68	SHAFT, idler gear	ALL
24	26328-74	DRIVE GEAR	ALL
25	26345-73	DRIVE GEAR, 24 T	ALL
26	26346-70	DRIVE SHAFT	ALL
27	26348-15	KEY, drive shaft (3)	ALL
28	26348-36	RETAINING RING, drive shaft	ALL
29	26400-82B	VALVE, oil pump	ALL
30	45830-48	PLUG (2)	ALL
31	63554-90	FITTING, 90 degree elbow	ALL
32	26050-92	OIL PUMP (black)	FXDL, FXDS CONV, FXDWG
	26053-92	OIL PUMP (polished)	FXD

## OIL FILTERS & MOUNTS





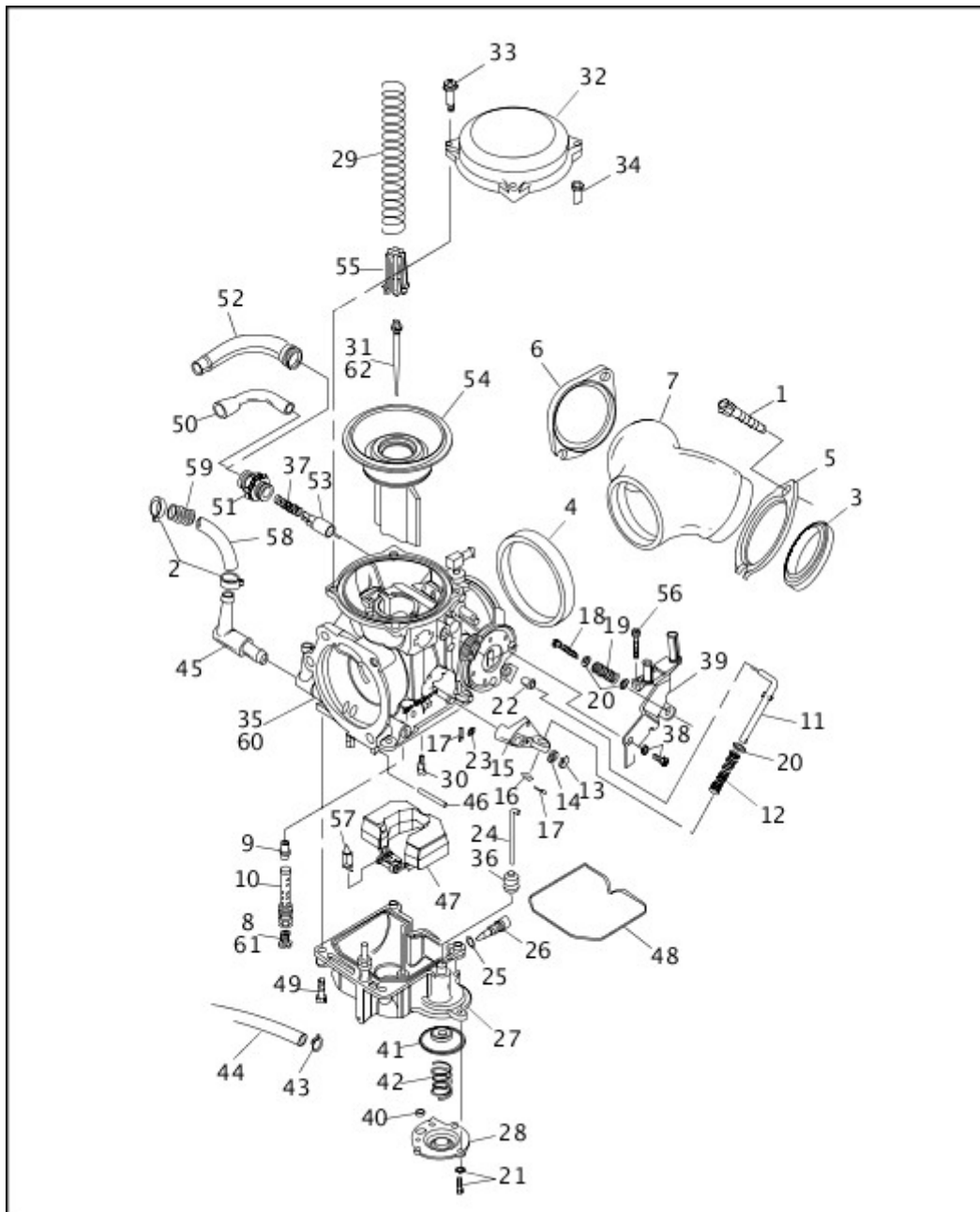
VIEW INTERACTIVE IMAGE

View interactive table

INDEX NO.	PART NO.	DESCRIPTION	MODEL(S)
1	3210A	SCREW, socket head (2)	ALL
2	6771A	WASHER (2)	ALL
3	10080	CLAMP (4)	ALL
4	10112	CLAMP	ALL
5	26352-95A	ADAPTER, oil filter	ALL
6	26378-92A	OIL FILTER MOUNT (black)	FXDL, FXDS CONV, FXDWG
	26381-92B	OIL FILTER MOUNT (silver)	FXD
7	33518-92	TUBE, return	ALL
8	33520-92	TUBE, feed	ALL
9	63523-92A	FITTING, straight, w/ 63525-92	ALL
10	63525-92	SEAL	ALL
11	63528-92	SEAL & FERRULE (2)	ALL

INDEX NO.	PART NO.	DESCRIPTION	MODEL(S)
12	63530-92	FITTING, male nut (2)	ALL
13	63538-92	HOSE, filter line to tank	ALL
14	63813-90	OIL FILTER (chrome)	ALL

## CARBURETOR (1 OF 2)



VIEW INTERACTIVE IMAGE

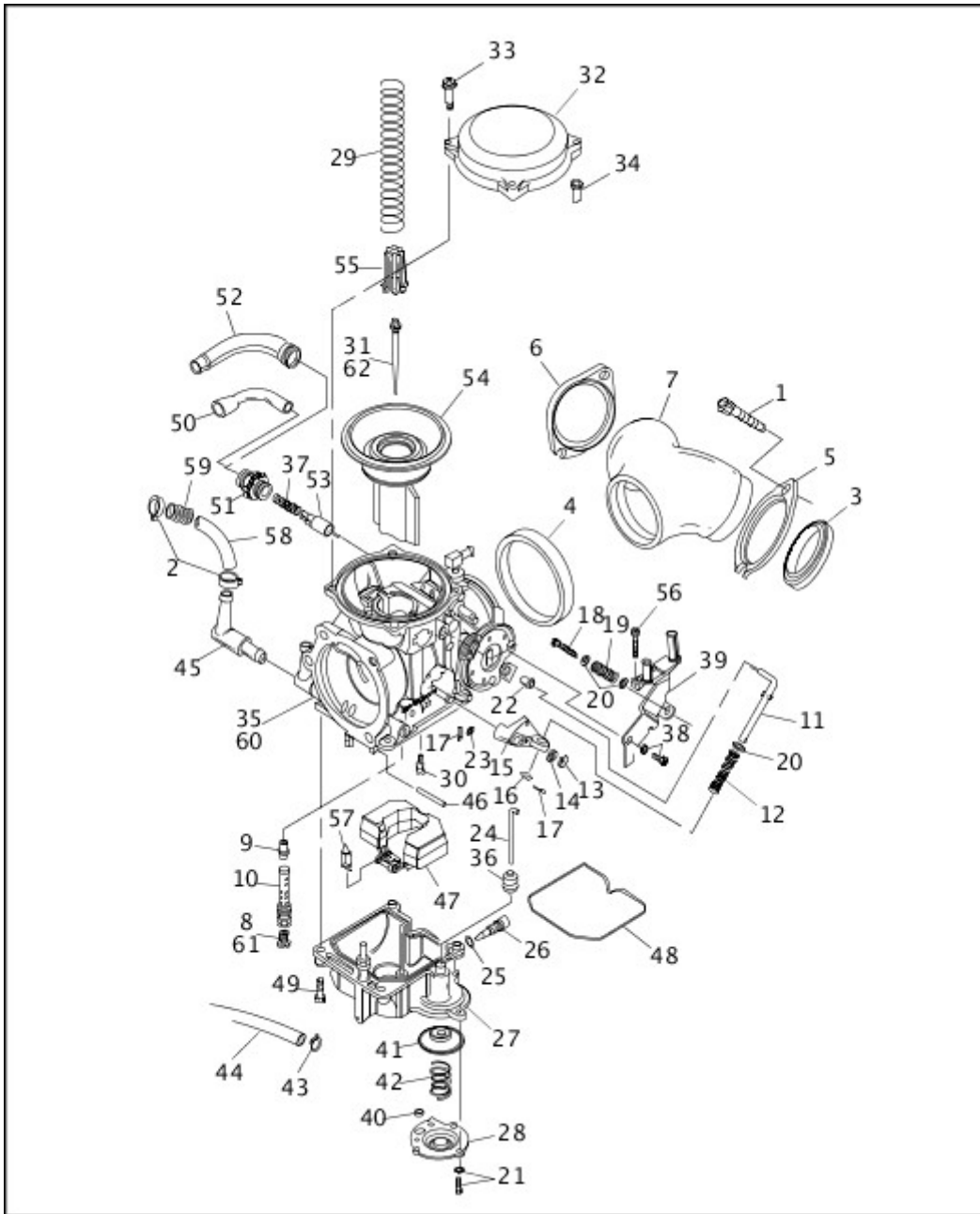
View interactive table

INDEX NO.	PART NO.	DESCRIPTION	MODEL(S)
1	3275	SCREW (4)	ALL

INDEX NO.	PART NO.	DESCRIPTION	MODEL(S)
2	10014	CLAMP (2)	ALL
3	26995-86B	SEAL, intake manifold (2)	ALL
4	27002-89	SEAL RING	ALL
5	27009-86A	FLANGE, mounting, front	ALL
6	27010-86A	FLANGE, mounting, rear	ALL
7	27019-89A	MANIFOLD	ALL
8	27090-89	MAIN JET, 1.75 mm (California)	ALL
	27115-88	MAIN JET, 1.70 mm	ALL
9	27100-88	NEEDLE JET	ALL
10	27101-88	NEEDLE JET HOLDER	ALL
11	27122-89	ROD	ALL
12	27123-89A	SPRING	ALL
13	27124-89	E-CLIP	ALL
14	27125-89	WASHER	ALL
15	27126-89	LEVER	ALL
16	27127-89	WASHER	ALL
17	27128-89	PIN (2)	ALL
18	27130-90	IDLE SCREW	ALL
19	27136-90A	SPRING	ALL
20	27137-81	WASHER (3)	ALL
21	27146-89	SCREW, w/ washer (3)	ALL
22	27147-89	COLLAR	ALL
23	27148-89	WASHER	ALL
24	27156-89	ROD	ALL
25	27157-89	O-RING	ALL
26	27158-89	DRAIN SCREW	ALL
27	27159-92	FLOAT CHAMBER ASSEMBLY	ALL
28	27160-89	PUMP HOUSING	ALL
29	27162-89	SPRING	ALL
30	27171-89	SLOW JET	ALL

INDEX NO.	PART NO.	DESCRIPTION	MODEL(S)
31	27253-96	JET NEEDLE	ALL
	27254-96	JET NEEDLE (California)	ALL
32	27261-96	TOP, carburetor	ALL
33	27262-96	SCREW, top (3)	ALL
34	27263-96	COLLAR, carburetor top	ALL
35	27492-96B	CARBURETOR	ALL
	27504-96	CARBURETOR (California)	ALL

**CARBURETOR (2 OF 2)**



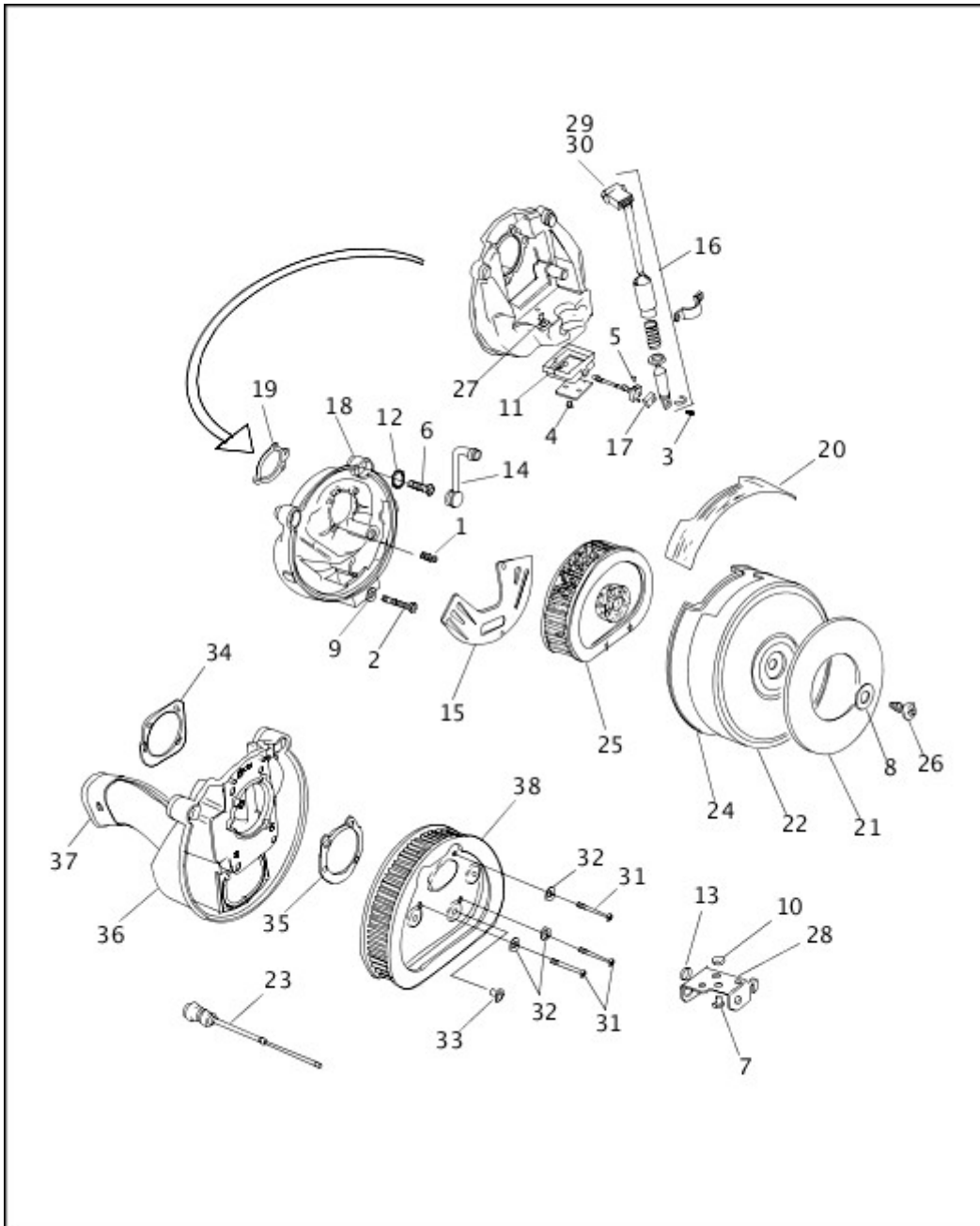
[VIEW INTERACTIVE IMAGE](#)

[View interactive table](#)

INDEX NO.	PART NO.	DESCRIPTION	MODEL(S)
36	27311-76	BOOT, accelerator pump	ALL
37	27315-88A	SPRING	ALL
38	27317-88	SCREW	ALL
39	27339-90	BRACKET, throttle cables	ALL
40	27360-76	O-RING	ALL
41	27361-76A	DIAPHRAGM, accelerator pump	ALL
42	27362-76	SPRING, diaphragm	ALL

INDEX NO.	PART NO.	DESCRIPTION	MODEL(S)
43	27368-76	CLIP, overflow hose	ALL
44	27369-76	HOSE, overflow, w/ clip	ALL
45	27371-76A	FITTING	ALL
46	27575-88A	PIN	ALL
47	27576-92	FLOAT	ALL
48	27577-92	O-RING, float chamber	ALL
49	27579-88A	SCREW (4)	ALL
50	27580-88	CABLE GUIDE	ALL
51	27581-88	STARTER CAP	ALL
52	27582-88	CABLE SEALING CAP	ALL
53	27583-88	STARTER VALVE	ALL
54	27585-88	VACUUM PISTON	ALL
55	27586-88	SPRING SEAT	ALL
56	27587-88	SCREW	ALL
57	27886-78A	VALVE, w/ clip	ALL
<b>NOTE: Hose or insulator is sold in bulk length under the following part numbers. Cut to length.</b>			
58	63501-68B	HOSE, 1/4 inch I.D. (black) (25 feet)	ALL
59	62555-95	INSULATOR, 1/2 inch I.D. (nylon) (8 feet)	ALL
<b>INTERNATIONAL MODELS ONLY</b>			
60	27088-95	CARBURETOR (HDI)	ALL
61	27114-88	MAIN JET, 1.80 mm (HDI)	ALL
62	27239-95	JET NEEDLE (HDI)	ALL

## AIR CLEANER & ENRICHENER



VIEW INTERACTIVE IMAGE

View interactive table

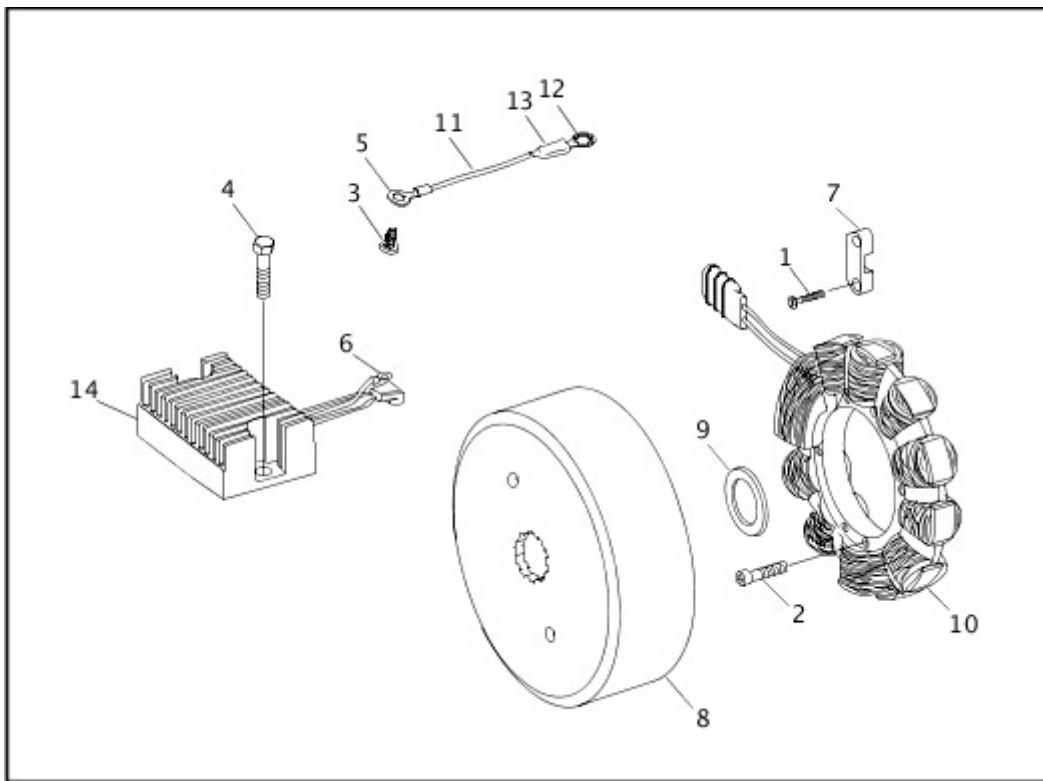
INDEX NO.	PART NO.	DESCRIPTION	MODEL(S)
1	864A	SCREW (3)	ALL
2	1795A	SCREW (California) (2)	ALL
3	2711	SCREW (California)	ALL
4	2737	SCREW (California) (2)	ALL
5	3221	SCREW (California)	ALL
6	3577	SCREW, breather (2)	ALL
7	4713W	BOLT (2)	ALL

INDEX NO.	PART NO.	DESCRIPTION	MODEL(S)
8	6109	WASHER	ALL
9	6253W	WASHER (California) (2)	ALL
10	7601	LOCKNUT, flange (2)	ALL
11	8535	RIVET (California) (2)	ALL
12	11292	O-RING, breather bolt	ALL
13	11460	GROMMET	ALL
14	24922-93	BREATHER CONNECTOR (2)	ALL
15	28823-89	BAFFLE PLATE ASSEMBLY (California)	ALL
16	28827-96A	SOLENOID (California)	ALL
17	28842-89	LINK (California)	ALL
18	29087-96	BACKPLATE ASSEMBLY, w/ solenoid (California)	ALL
	29134-92	BACKPLATE ASSEMBLY	ALL
19	29059-88A	GASKET	ALL
20	29126-90B	SAFETY LABEL	ALL
21	29142-91	TRIM, "DYNA LOW RIDER"	FXDL
	29150-93	TRIM, "DYNA WIDE GLIDE"	FXDWG
	29192-95	TRIM, "SUPER GLIDE"	FXD
	29307-94	TRIM, "DYNA GLIDE CONVERTIBLE"	FXDS CONV
22	29165-89	COVER, air cleaner	ALL
23	29229-88D	CABLE, enrichment	ALL
24	29252-89	MOLDING	ALL
25	29330-96	FILTER ELEMENT	ALL
26	29283-93	SCREW	ALL
27	61095-92	FITTING (California)	ALL
28	69126-92	BRACKET, enrichment cable	ALL
29	73153-96BK	SOCKET HOUSING, 3 place	ALL
30	73191-96	SOCKET CONTACT (3)	ALL
<b>INTERNATIONAL MODELS ONLY</b>			
31	946	SCREW (HDI) (3)	ALL
32	6410	WASHER (HDI) (3)	ALL



INDEX NO.	PART NO.	DESCRIPTION	MODEL(S)
33	24925-95	PLUG (HDI) (2)	ALL
34	29062-95B	GASKET (HDI)	ALL
35	29313-95	GASKET (HDI)	ALL
36	29319-95A	BACKPLATE, w/ 29323-95 (HDI)	ALL
37	29323-95	INLET, snorkel (HDI)	ALL
38	29325-95A	FILTER ELEMENT (HDI)	ALL

## ALTERNATOR & REGULATOR



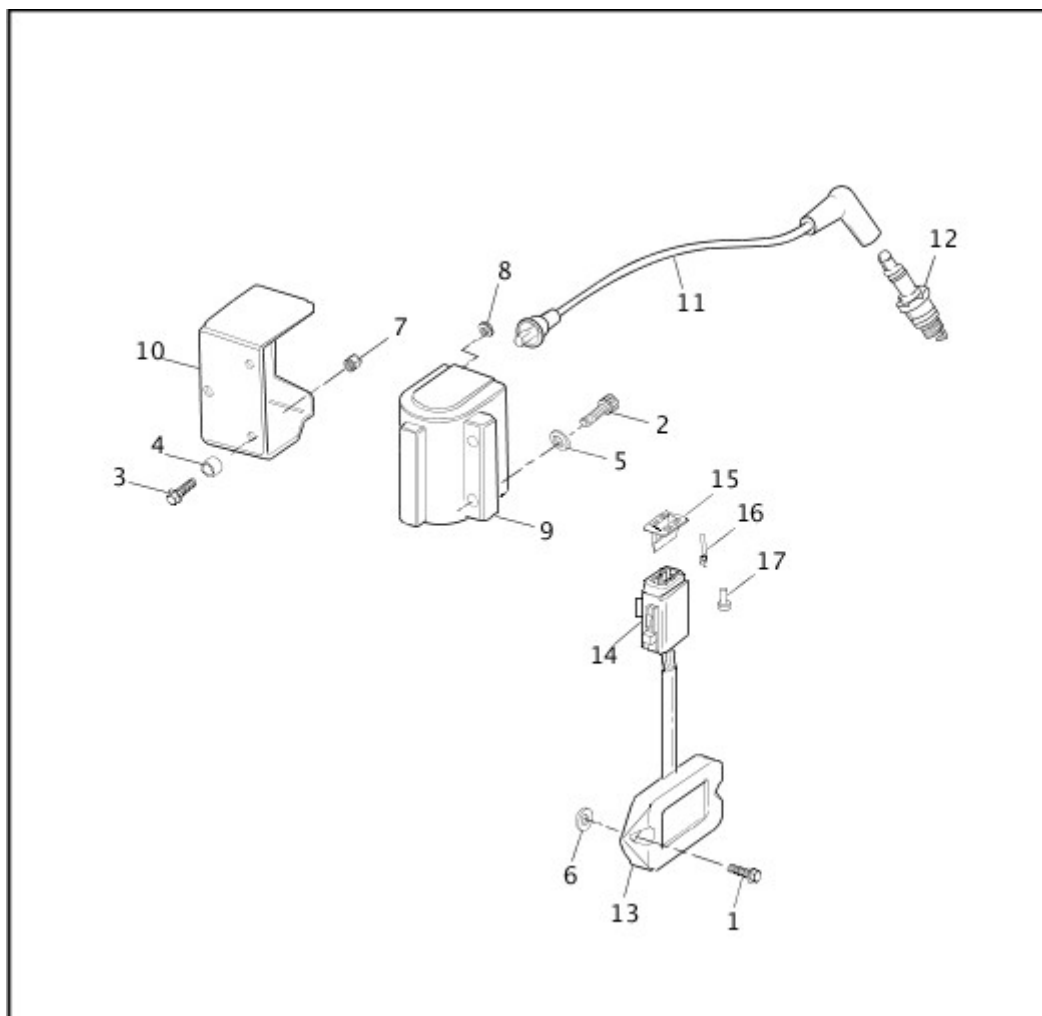
[VIEW INTERACTIVE IMAGE](#)

[View interactive table](#)

INDEX NO.	PART NO.	DESCRIPTION	MODEL(S)
1	2273A	SCREW (2)	ALL
2	2720	SCREW (4)	ALL
3	4134	SCREW	ALL
4	4329	SCREW (2)	ALL
5	9840	TERMINAL, #10 ring, 12 -14 gauge	ALL

INDEX NO.	PART NO.	DESCRIPTION	MODEL(S)
6	9866	WIRE TERMINAL, ring type	ALL
7	29954-71A	RETAINER, alternator plug	ALL
8	29957-81B	ROTOR ASSEMBLY	ALL
9	29961-85	SPACER	ALL
10	29970-88D	STATOR	ALL
11	70041-95	CABLE, regulator ground	ALL
12	72242-94	TERMINAL, 1/4 inch ring, internal star 10-12 gauge	ALL
13	72249-94	HEAT SHRINK TUBING, dual wall, 0.7 x 2 inch	ALL
14	74519-88A	REGULATOR	ALL

## IGNITION MODULE & COIL

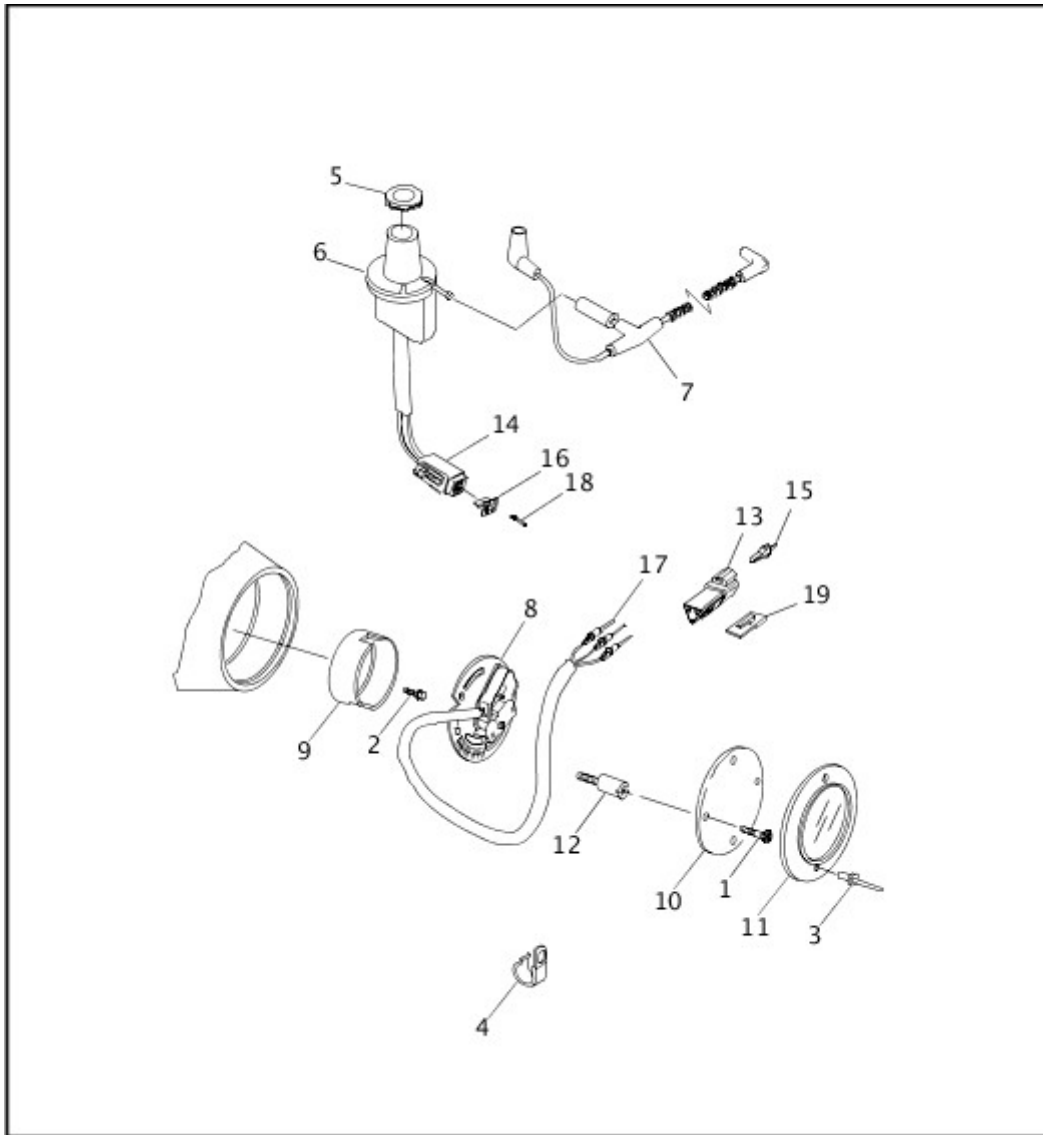


VIEW INTERACTIVE IMAGE

[View interactive table](#)

INDEX NO.	PART NO.	DESCRIPTION	MODEL(S)
1	2339	BOLT (2)	ALL
2	3601	SCREW (2)	ALL
3	3473	BOLT (3)	ALL
4	6058	SPACER (3)	ALL
5	6703	WASHER (2)	ALL
6	6116	WASHER (2)	ALL
7	7626W	LOCKNUT (3)	ALL
8	7629	NUT (2)	ALL
9	31614-83A	IGNITION COIL	ALL
10	31640-91	COVER, coil (chrome)	ALL
11	31981-94A	SPARK PLUG CABLE, front cylinder	ALL
	31983-71C	SPARK PLUG CABLE, rear cylinder	ALL
12	32311-83	SPARK PLUG, No. 5R6A (2)	ALL
13	32449-95C	IGNITION MODULE, w/ connector assembly	ALL
14	72118-94BK	PLUG, 8-way socket	ALL
15	72158-94	SOCKET LOCK, 8-way	ALL
16	72191-94	TERMINAL, socket (7)	ALL
17	72195-94	SEAL PIN	ALL

## CAM POSITION SENSOR & VACUUM SWITCH



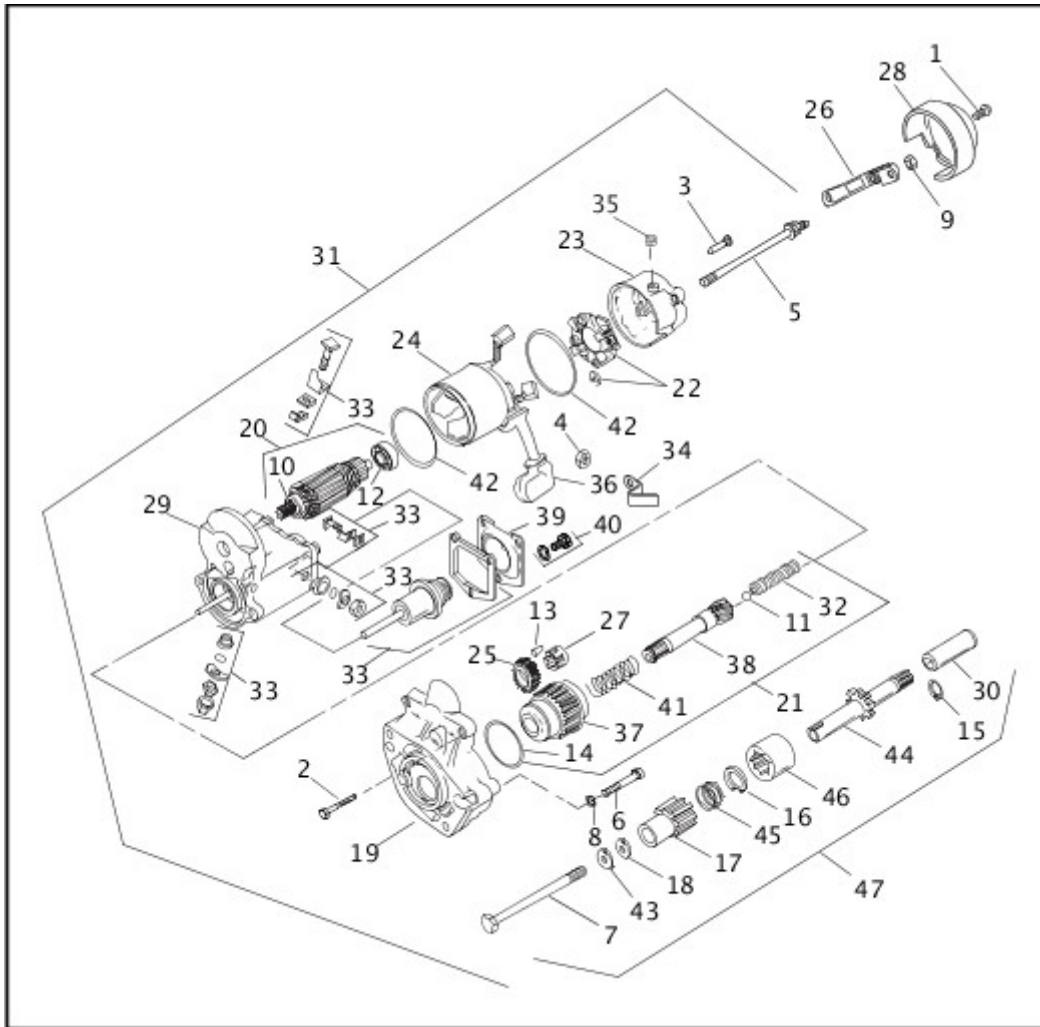
[VIEW INTERACTIVE IMAGE](#)

[View interactive table](#)

INDEX NO.	PART NO.	DESCRIPTION	MODEL(S)
1	1601	SCREW (2)	ALL
2	2611C	BOLT	ALL
3	8699	RIVET, timer cover (2)	ALL
4	9951	CLIP, sensor wire	ALL
5	11192	RETAINING RING	ALL
6	26569-96	VACUUM SWITCH, w/ connector assembly	ALL
7	26567-95	VACUUM HOSE ASSEMBLY	ALL
8	32404-96A	SENSOR ASSEMBLY, cam position/vehicle attitude	ALL
9	32402-83	ROTOR	ALL

INDEX NO.	PART NO.	DESCRIPTION	MODEL(S)
10	32504-80A	TIMER COVER, inner	ALL
11	32524-83	TIMER COVER	ALL
12	32606-82	SCREW, sensor plate (2)	ALL
13	72103-94BK	RECEPTACLE, 3-way	ALL
14	72112-94BK	PLUG, 2-way socket	ALL
15	72143-94	SECONDARY LOCK, 3-way receptacle	ALL
16	72152-94	SOCKET LOCK, secondary, 2-way	ALL
17	72190-94	TERMINAL, pin (3)	ALL
18	72191-94	TERMINAL, socket (2)	ALL
19	72199-94	ATTACHMENT CLIP	ALL

## STARTER MOTOR



VIEW INTERACTIVE IMAGE

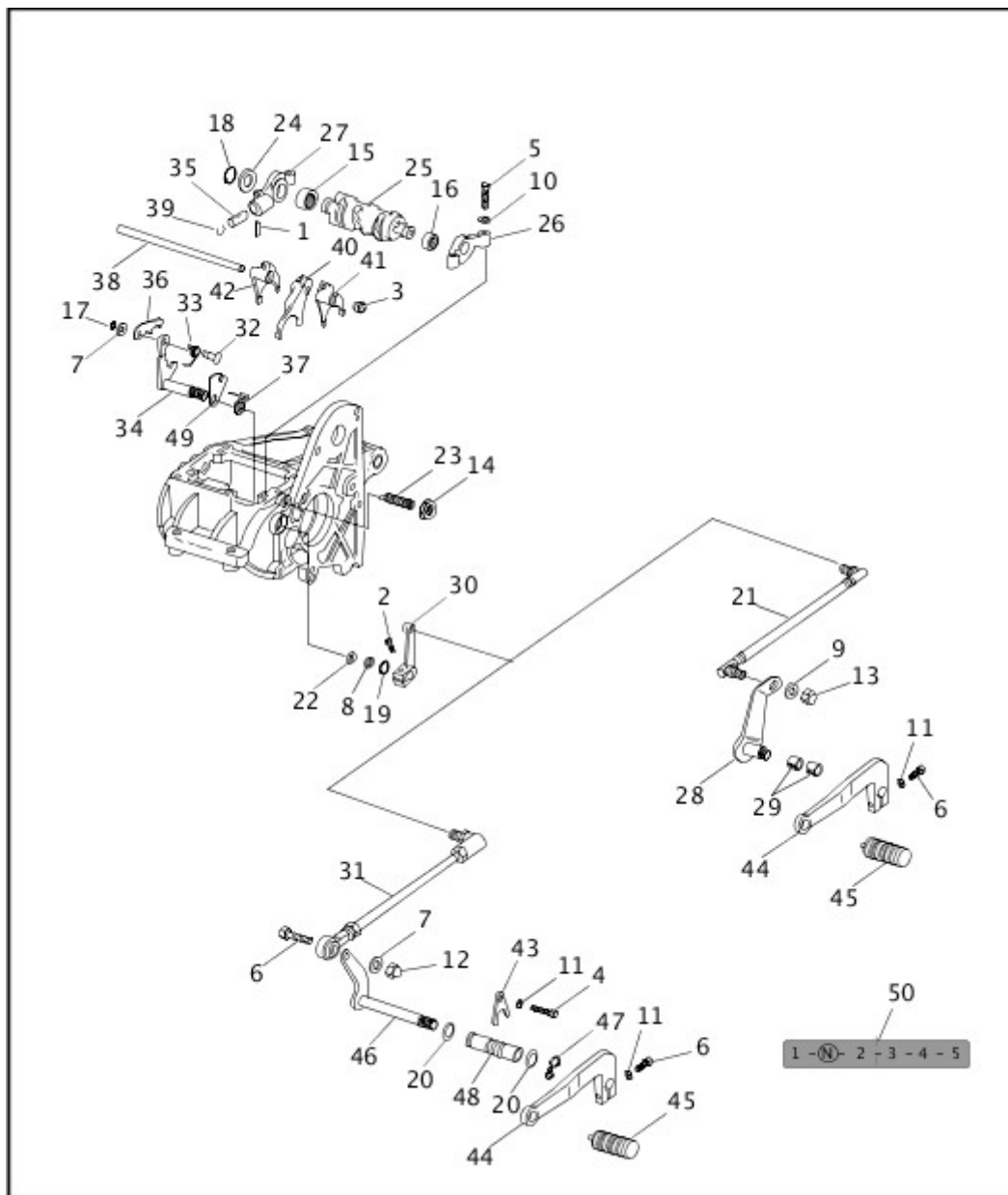
View interactive table

INDEX NO.	PART NO.	DESCRIPTION	MODEL(S)
1	925	SCREW, cover	ALL
2	928	BOLT, starter (use 31553-94B) (2)	ALL
3	929A	SCREW (2)	ALL
4	3403	LOCKNUT, flange	ALL
5	3559	BOLT, starter (2)	ALL
6	4326A	SCREW (2)	ALL
7	4358A	SCREW	ALL
8	7041	LOCKWASHER (2)	ALL
9	7838	NUT, w/ washer (2)	ALL
10	8871	BALL BEARING	ALL
11	8879	BALL	ALL

INDEX NO.	PART NO.	DESCRIPTION	MODEL(S)
12	8883	BALL BEARING	ALL
13	9077	CLUTCH ROLLER (5)	ALL
14	11116	O-RING (use 31516-94A)	ALL
15	11182	RETAINING RING	ALL
16	11248	RETAINING RING	ALL
17	31342-94	PINION GEAR	ALL
18	31430-94	WASHER, thrust	ALL
19	31510-90	HOUSING, starter	ALL
20	31515-90	ARMATURE ASSEMBLY, w/ 8871 & 8883	ALL
21	31516-94A	CLUTCH ASSEMBLY, starter, w/ 8879, 10957, 31600-90, 31664-94 & 31692-90	ALL
22	31518-90	BRUSH HOLDER ASSEMBLY, w/ spring	ALL
23	31519-90	FRAME, starter end	ALL
24	31514-90	YOKE ASSEMBLY, starter	ALL
25	31525-90	IDLER GEAR (use 31553-94B)	ALL
26	31527-90	BRACKET, cover	ALL
27	31530-90	RETAINER, idler gear	ALL
28	31535-91	COVER (chrome)	ALL
29	31538-98	SWITCH ASSEMBLY, magnetic, w/ housing	ALL
30	31548-90	COUPLING	ALL
31	31553-94B	STARTER, complete	ALL
32	31600-90	SPRING, return (use 31516-94A)	ALL
33	31604-91A	STARTER REPAIR KIT	ALL
34	31693-90	CLIP, cable	ALL
35	31660-90	DRAIN VENT	ALL
36	31662-90	BOOT, insulating	ALL
37	31663-90	CLUTCH, starter (use 31516-94A)	ALL
38	31664-94	SHAFT, output (use 31516-94A)	ALL
39	31688-90	COVER, solenoid	ALL
40	31689-90	BOLT, w/ washer (3)	ALL
41	31692-90	SPRING	ALL

INDEX NO.	PART NO.	DESCRIPTION	MODEL(S)
42	31695-90	O-RING (2)	ALL
43	33126-94	LOCKPLATE	ALL
44	33127-94	SHAFT, extension	ALL
45	33449-94	SPRING, pinion gear	ALL
46	60647-94	COUPLING (use 31612-09)	ALL
47	31612-09	KIT, JACKSHAFT	ALL

## GEAR SHIFTER (1 OF 2)



VIEW INTERACTIVE IMAGE

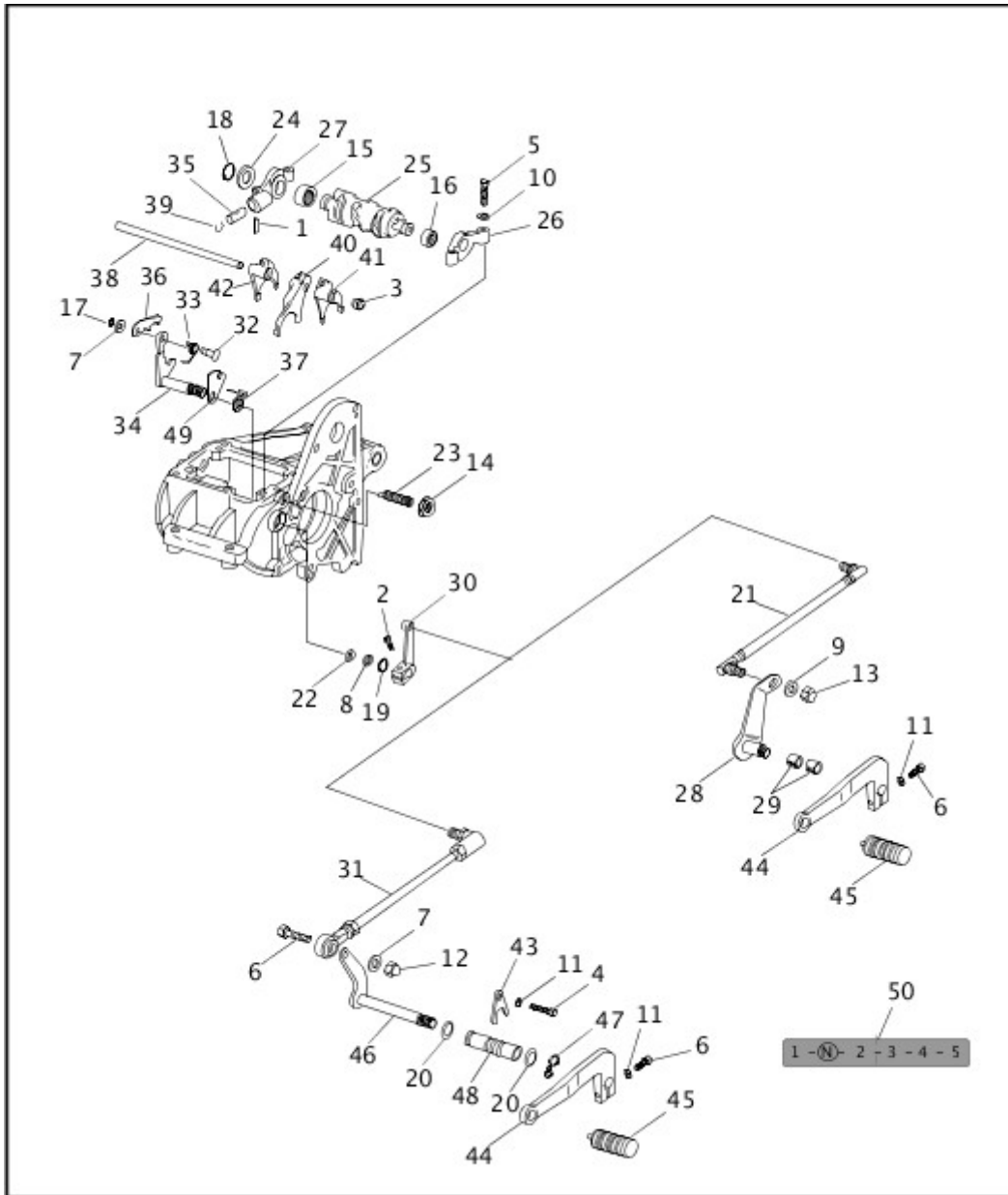


View interactive table

INDEX NO.	PART NO.	DESCRIPTION	MODEL(S)
1	601	ROLL PIN	ALL
2	856A	SCREW	ALL
3	3784	SET SCREW, shifter fork shaft, left	ALL
4	3987	BOLT	FXD, FXDL, FXDS CONV
5	3993	BOLT (4)	ALL
6	4017	BOLT	FXDWG
6	4017	BOLT (2)	FXD, FXDL, FXDS CONV
7	6016	WASHER (as required)	FXD, FXDL, FXDS CONV
8	6497HW	WASHER	ALL
9	6702	WASHER	FXDWG
10	6736	WASHER (4)	ALL
11	7041	LOCKWASHER	FXDWG
11	7041	LOCKWASHER (2)	FXD, FXDL, FXDS CONV
12	7507	ACORN NUT	FXD, FXDL, FXDS CONV
13	7736	ACORN NUT	FXDWG
14	7515	JAMNUT	ALL
15	9114	NEEDLE BEARING	ALL
16	9115	NEEDLE BEARING	ALL
17	11016	RETAINING RING	ALL
18	11083	RETAINING RING	ALL
19	11150	RETAINING RING	ALL
20	11117A	O-RING, sleeve (2)	FXD, FXDL, FXDS CONV
21	11739B	SHIFTER ROD	FXDWG
22	12045	SEAL	ALL
23	33119-79B	ADJUSTING SCREW, shifter arm	ALL
24	33205-80	THRUST WASHER, 0.017 thick (as required)	ALL
	33206-80	THRUST WASHER, 0.020 thick (as required)	ALL
	33207-80	THRUST WASHER, 0.022 thick (as required)	ALL
	33208-80	THRUST WASHER, 0.025 thick (as required)	ALL

INDEX NO.	PART NO.	DESCRIPTION	MODEL(S)
	33209-80	THRUST WASHER, 0.028 thick (as required)	ALL
	33210-80	THRUST WASHER, 0.031 thick (as required)	ALL
	33211-80	THRUST WASHER, 0.035 thick (as required)	ALL
	33212-80	THRUST WASHER, 0.039 thick (as required)	ALL
25	33320-98	SHIFTER CAM	ALL
26	33326-79A	SUPPORT, shifter cam, left	ALL
27	33332-79	SUPPORT, shifter cam, right	ALL

**GEAR SHIFTER (2 OF 2)**



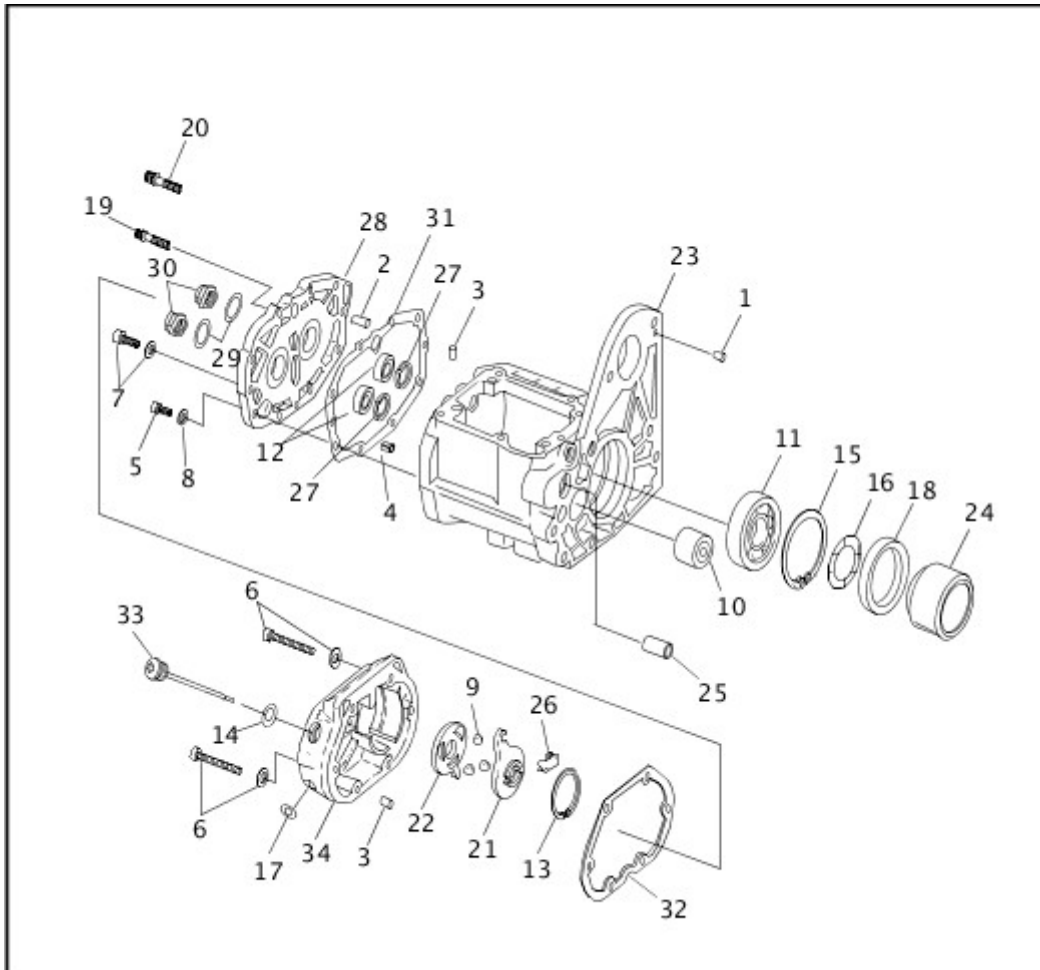
VIEW INTERACTIVE IMAGE

[View interactive table](#)

INDEX NO.	PART NO.	DESCRIPTION	MODEL(S)
28	33660-90B	SHIFT LEVER (chrome)	FXDWG
29	33708-94	BEARING SLEEVE (2)	FXDWG
30	33715-85A	LEVER, shifter rod	ALL
31	33728-90B	SHIFTER ROD	FXD, FXDL, FXDS CONV
32	34082-79	PIN, shifter shaft lever (use 34084-86A)	ALL
33	34083-79	SPRING, shifter shaft lever	ALL
34	34084-86A	LEVER, shifter shaft, w/ 34082-79 & 34083-79	ALL
35	34085-79A	CAM FOLLOWER	ALL

INDEX NO.	PART NO.	DESCRIPTION	MODEL(S)
36	34086-79	PAWL, shifter cam	ALL
37	34087-79A	SPRING, shifter shaft	ALL
38	34088-87A	SHAFT, shifter fork	ALL
39	34089-79	SPRING	ALL
40	34191-79E	SHIFTER FORK	ALL
41	34193-79E	SHIFTER FORK	ALL
42	34195-79E	SHIFTER FORK	ALL
43	34561-84	SLEEVE LOCATOR PLATE	FXD, FXDL, FXDS CONV
44	34564-90B	SHIFT LEVER (chrome)	ALL
45	34611-65A	PEG, shift lever	ALL
46	34621-90	SHIFT LEVER	FXD, FXDL, FXDS CONV
47	34625-90	WAVE WASHER	FXD, FXDL, FXDS CONV
48	34632-84B	SLEEVE, shift lever	FXD, FXDL, FXDS CONV
49	35068-79	PLATE	ALL
<b>INTERNATIONAL MODELS ONLY</b>			
50	14270-92	DECAL, shift pattern (Japan)	FXD, FXDWG

## **TRANSMISSION BEARINGS & SIDE COVERS**



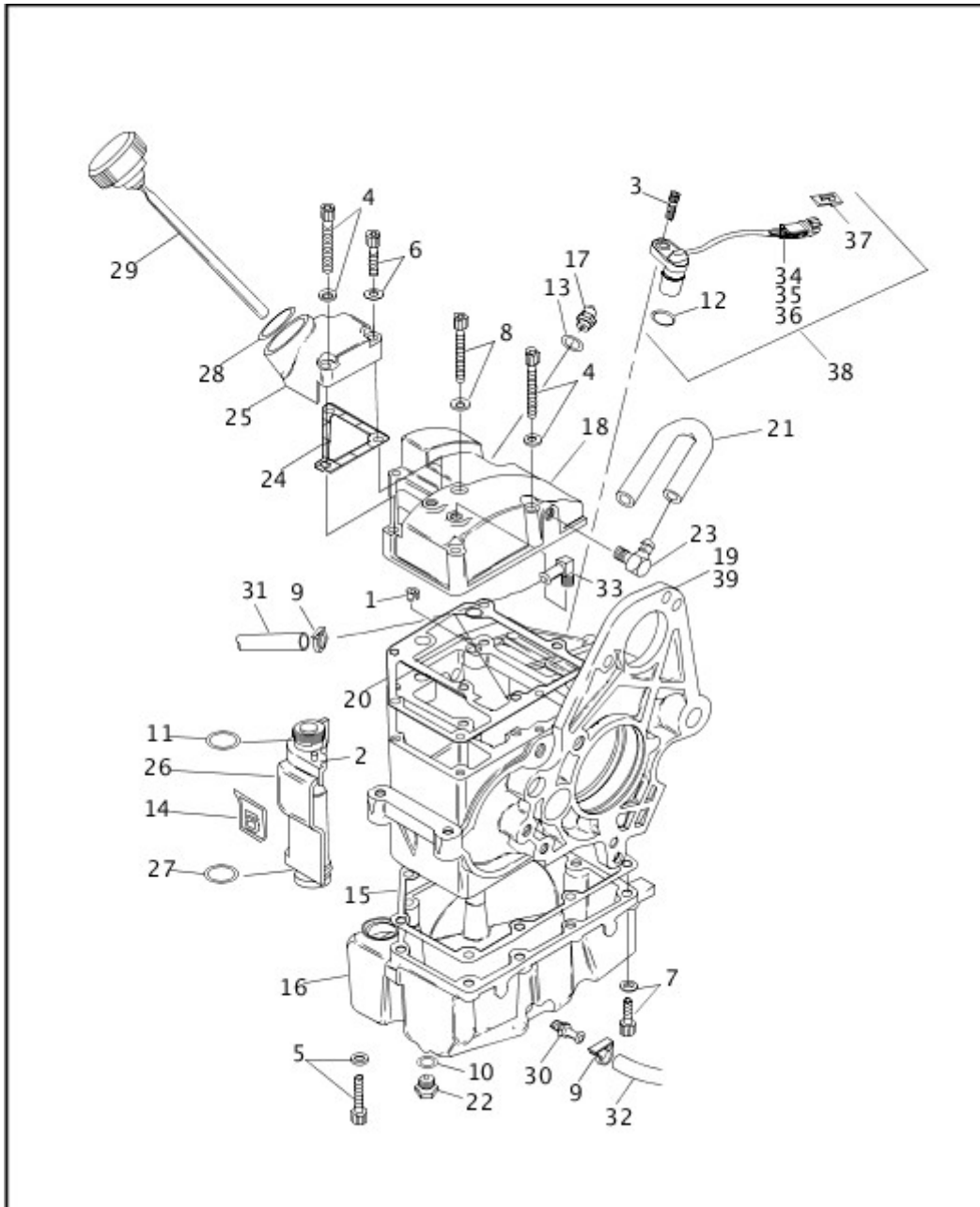
VIEW INTERACTIVE IMAGE

View interactive table

INDEX NO.	PART NO.	DESCRIPTION	MODEL(S)
1	337	DOWEL PIN	ALL
2	375	DOWEL PIN	ALL
3	609	PIN (6)	ALL
4	634	PIN	ALL
5	3210A	SCREW (3)	ALL
6	4717A	SCREW, w/ washer (6)	ALL
7	4814A	SCREW	ALL
8	6016	WASHER (3)	ALL
9	8873	BALL (3)	ALL
10	8977	BEARING	ALL
11	8996A	BEARING, mainshaft, left side	ALL
12	8998	BALL BEARING (2)	ALL

INDEX NO.	PART NO.	DESCRIPTION	MODEL(S)
13	10998	RETAINING RING	ALL
14	11132A	O-RING, filler plug	ALL
15	11161	RETAINING RING	ALL
16	11165	QUAD SEAL, ball bearing	ALL
17	11179	O-RING, clutch cable	ALL
18	12067B	OIL SEAL	ALL
19	16708-95A	STUD	ALL
20	16709-95	STUD	ALL
21	25452-87A	INNER RAMP	ALL
22	25453-87A	OUTER RAMP	ALL
23	33038-98	TRANSMISSION (chrome & black)	FXDL, FXDS CONV, FXDWG
	33062-98	TRANSMISSION	FXD
24	33114-79	SPACER	ALL
25	33344-94	SPACER, sprocket	ALL
26	34920-86A	COUPLING	ALL
27	35021-89	RETAINING RING, bearing (2)	ALL
28	35250-90D	BEARING HOUSING ASSEMBLY, w/ 3, 12 & 27 (plain)	FXD
	35260-90C	BEARING HOUSING, w/ 3, 12 & 27 (black)	FXDL, FXDS CONV, FXDWG
29	35076-79	SPACER (2)	ALL
30	35078-79	NUT, mainshaft & countershaft (2)	ALL
31	35652-79B	GASKET, bearing housing	ALL
32	36801-87C	GASKET, right side cover	ALL
33	37075-87	FILLER PLUG (chrome)	FXD, FXDL, FXDS CONV, FXDWG
34	37081-99	CLUTCH RELEASE COVER (polished)	FXD
	37105-87A	CLUTCH RELEASE COVER (chrome)	FXDL, FXDS CONV, FXDWG

## TRANSMISSION HOUSING & OIL TANK



VIEW INTERACTIVE IMAGE

View interactive table

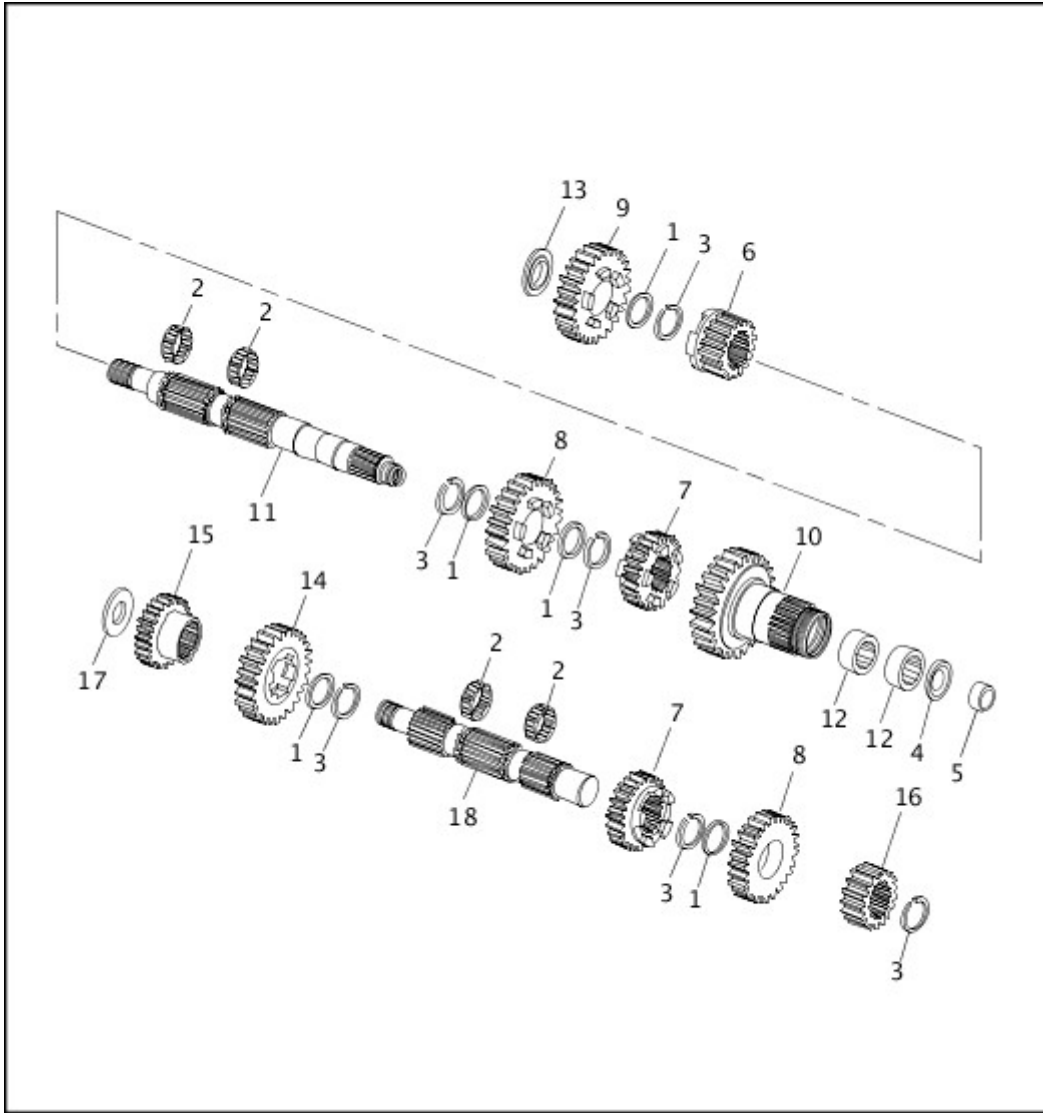
INDEX NO.	PART NO.	DESCRIPTION	MODEL(S)
1	609	PIN, pillow block (2)	ALL
2	631	ROLL PIN	ALL
3	3594	SCREW	ALL
4	4717A	SCREW (4)	ALL
5	4718A	SCREW (2)	ALL
6	4740A	SCREW	ALL

INDEX NO.	PART NO.	DESCRIPTION	MODEL(S)
7	4741A	SCREW (9)	ALL
8	4822A	SCREW	ALL
9	10080	CLAMP, hose (6)	ALL
10	11105	O-RING (2)	ALL
11	11132A	O-RING	ALL
12	11140	O-RING	ALL
13	11290	O-RING	ALL
14	14263-91	DECAL, dipstick cover (black)	FXDL, FXDS CONV, FXDWG
	14268-92	DECAL, dipstick cover	FXD
15	26072-90A	GASKET, oil pan	ALL
16	26074-90	OIL PAN (black)	FXDL, FXDS CONV, FXDWG
	26057-97	OIL PAN (plain)	FXD
17	33902-98A	SWITCH, neutral indicator	ALL
18	34469-98	COVER, upper (chrome)	FXDL, FXDS CONV, FXDWG
	34478-98	COVER, upper (polished)	FXD
19	34746-95A	HOUSING	FXD
	34747-95	HOUSING (black)	FXDL, FXDS CONV, FXDWG
20	34917-90B	GASKET, transmission cover	ALL
21	42533-91A	VENT HOSE	ALL
22	60348-65B	MAGNETIC PLUG (2)	ALL
23	62375-57A	FITTING, elbow	ALL
24	62423-90A	GASKET, oil spout	ALL
25	62421-90	SPOUT, oil fill (chrome)	FXDL, FXDS CONV,



INDEX NO.	PART NO.	DESCRIPTION	MODEL(S)
			FXDWG
	62433-95	SPOUT, oil fill	FXD
26	62649-90	DIPSTICK COVER (black)	FXD, FXDL, FXDS CONV, FXDWG
27	62672-90	O-RING	ALL
28	62673-90	O-RING	ALL
29	62681-92A	FILLER CAP, engine oil (chrome)	FXDL, FXDS CONV, FXDWG
	62685-95A	FILLER CAP, engine oil	FXD
30	63533-41A	FITTING, oil hose	ALL
31	63534-90	HOSE, crankcase to tank vent	ALL
32	63535-90	HOSE, oil pan to pump (feed)	ALL
33	63554-90	FITTING, elbow (2)	ALL
34	72143-94	SECONDARY LOCK, 3-way receptacle	ALL
35	72163-94BK	RECEPTACLE, 3-way pin	ALL
36	72190-94	TERMINAL, pin, 16-18 AWG (used w/ 74420-94) (3)	ALL
	72194-94	TERMINAL, pin, 20 AWG (used w/ 74420-94C) (3)	ALL
37	72199-94	ATTACHMENT CLIP	ALL
38	74420-94	SPEED SENSOR, w/ 11140, 72143-94, 72163-94BK, 72190-94 & 72199-94 (use 74420-94C)	ALL
	74420-94C	SPEED SENSOR, w/ 11289A, 72143-94, 72163-94BK, 72194-94 & 72199-94 (replaces 74420-94)	ALL
39	33038-98	TRANSMISSION (chrome & black)	FXDL, FXDS CONV, FXDWG
	33062-98	TRANSMISSION	FXD

## TRANSMISSION GEARS



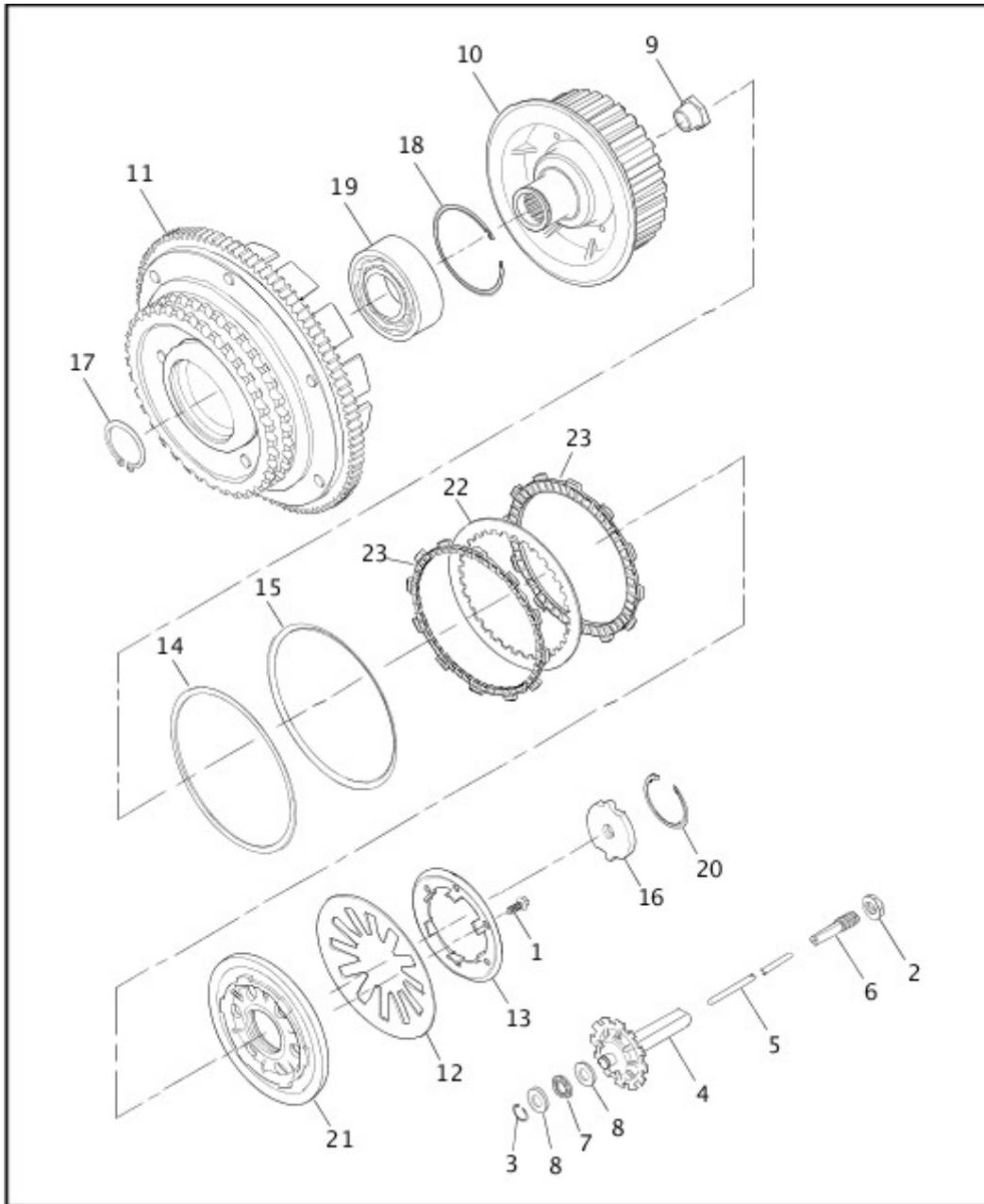
VIEW INTERACTIVE IMAGE

[View interactive table](#)

INDEX NO.	PART NO.	DESCRIPTION	MODEL(S)
1	6003	WASHER (5)	ALL
2	8876A	BEARING (4)	ALL
3	11067	RETAINING RING (6)	ALL
4	12035B	OIL SEAL, mainshaft fifth gear	ALL
5	34091-85A	BEARING, inner race	ALL
6	35025-79B	FIRST GEAR, mainshaft	ALL
7	35026-94	GEAR, mainshaft 2nd & countershaft 3rd (2)	ALL
8	35027-94	GEAR, mainshaft 3rd & countershaft 2nd (2)	ALL
9	35028-94	FOURTH GEAR, mainshaft	ALL

INDEX NO.	PART NO.	DESCRIPTION	MODEL(S)
10	35029-94	FIFTH GEAR, mainshaft	ALL
11	35042-91	MAINSHAFT	ALL
12	35051-89A	NEEDLE BEARING (2)	ALL
13	35064-79	SPACER, mainshaft	ALL
14	35622-79C	FIRST GEAR, countershaft	ALL
15	35625-94	FOURTH GEAR, countershaft	ALL
16	35626-94	FIFTH GEAR, countershaft	ALL
17	35629-79	SPACER	ALL
18	35632-79	COUNTERSHAFT	ALL

## CLUTCH



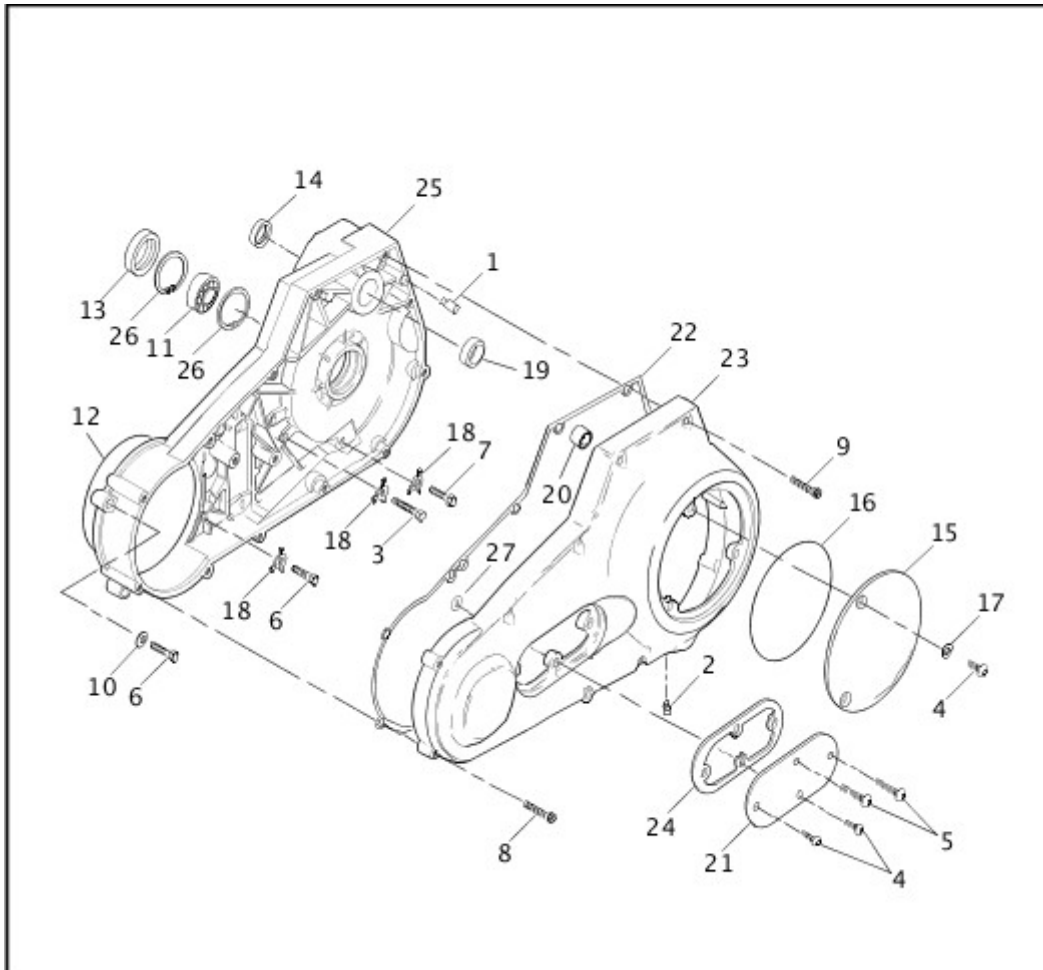
VIEW INTERACTIVE IMAGE

View interactive table

INDEX NO.	PART NO.	DESCRIPTION	MODEL(S)
1	2980	SCREW (6)	ALL
2	7848W	JAMNUT	ALL
3	11096	RETAINING RING	ALL
4	37069-90A	OIL SLINGER ASSEMBLY	ALL
5	37088-90	PUSHROD, clutch release (through mainshaft)	ALL
6	37090-98A	END, clutch pushrod, left side	ALL
7	37312-75	BEARING, pushrod	ALL

INDEX NO.	PART NO.	DESCRIPTION	MODEL(S)
8	37313-80	THRUST WASHER (2)	ALL
9	37496-90A	NUT, mainshaft	ALL
10	37550-98	CLUTCH HUB	ALL
11	37707-98A	SHELL & SPROCKET, w/ ring gear	ALL
12	37871-98A	SPRING, diaphragm (white)	ALL
13	37872-00	SPRING SEAT	ALL
14	37883-98	SEAT, damper spring	ALL
15	37884-98	DAMPER SPRING	ALL
16	37903-90	RELEASE PLATE	ALL
17	37904-90	RETAINING RING, internal	ALL
18	37905-90	RETAINING RING, internal	ALL
19	37906-90	BEARING, ball, double row	ALL
20	37909-90	RETAINING RING, internal	ALL
21	37912-00	PRESSURE PLATE	ALL
22	37913-98	STEEL PLATE (8)	ALL
23	37932-98	FRICTION PLATE KIT, includes all 9 friction plates	ALL

## PRIMARY HOUSING



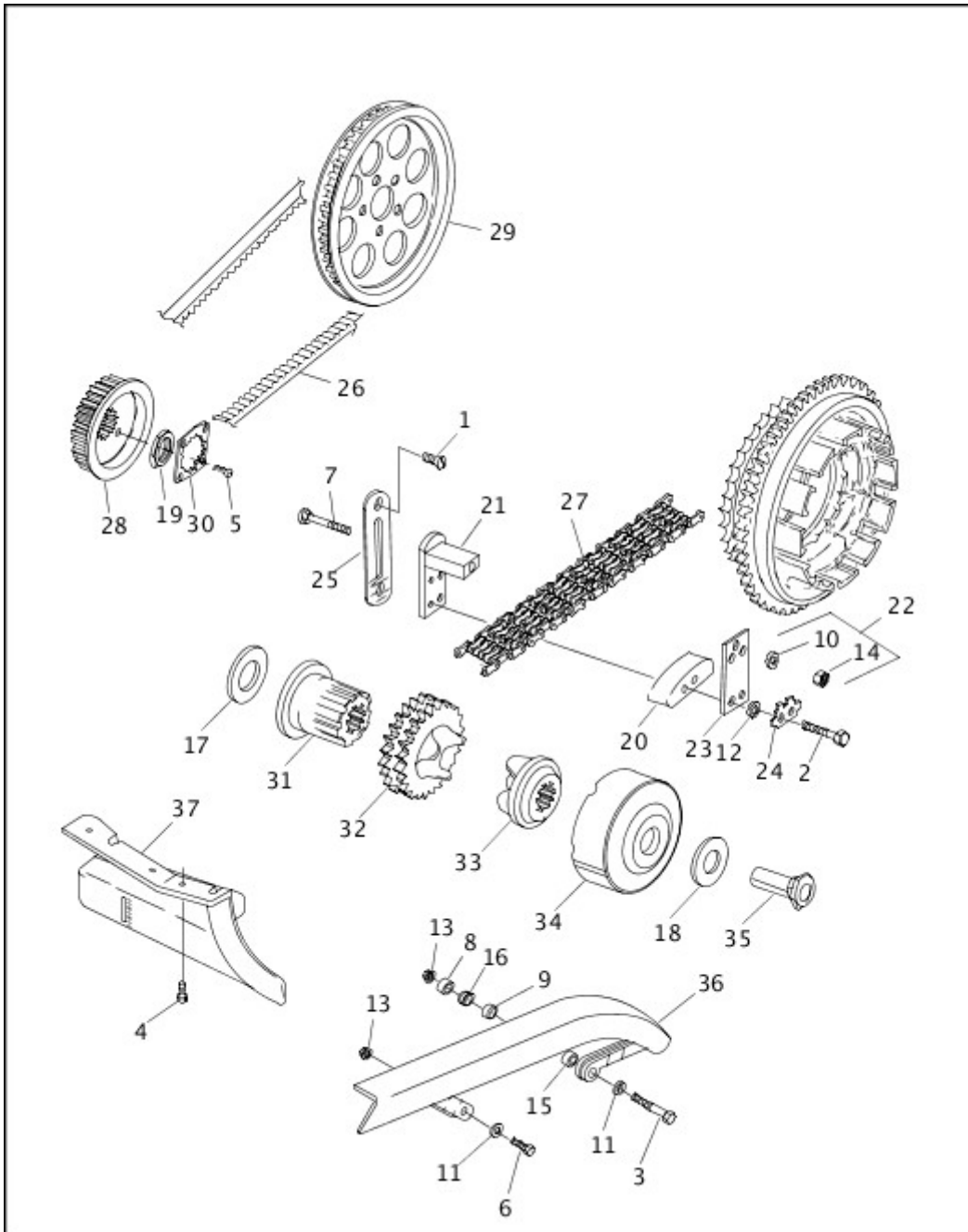
VIEW INTERACTIVE IMAGE

View interactive table

INDEX NO.	PART NO.	DESCRIPTION	MODEL(S)
1	375	PIN (2)	ALL
2	739A	PLUG, magnetic (used w/ 60543-95 & 60562-95A)	ALL
3	858A	BOLT (2)	ALL
4	941	SCREW (5)	ALL
5	945	SCREW (2)	ALL
6	2932A	SCREW (4)	ALL
7	4086A	BOLT	ALL
8	4740A	SCREW, w/ washer (7)	ALL
9	4820A	SCREW, w/ washer (5)	ALL
10	6016	WASHER (2)	ALL
11	9135	BEARING	ALL

INDEX NO.	PART NO.	DESCRIPTION	MODEL(S)
12	11147B	O-RING, housing cover	ALL
13	12052A	OIL SEAL	ALL
14	12066A	OIL SEAL	ALL
15	25414-70B	COVER, clutch	FXD
	60668-84B	COVER, clutch (chrome)	FXDL, FXDS CONV, FXDWG
16	25416-70A	O-RING, clutch cover	ALL
17	31433-84A	WASHER (nylon) (3)	ALL
18	33318-85	LOCKING TAB (5)	ALL
19	33445-94A	BUSHING	ALL
20	33446-94A	BUSHING	ALL
21	60529-90A	COVER, inspection (chrome)	FXD, FXDL, FXDS CONV
	60572-86	COVER, inspection (chrome)	FXDWG
22	60539-94B	GASKET, primary cover	ALL
23	60562-95A	COVER ASSEMBLY, primary, w/ 739A & 33446-94A (use 60543-95) (polished)	FXD
	60543-95	COVER ASSEMBLY, primary, w/ 739A & 33446-94A (replaces 60562-95A) (chrome)	ALL
24	60567-90C	GASKET, inspection cover	ALL
25	60663-95A	PRIMARY HOUSING ASSEMBLY	FXD
	60691-94A	PRIMARY HOUSING ASSEMBLY (black)	FXDL, FXDS CONV
	60692-94A	PRIMARY HOUSING ASSEMBLY (kit)	FXDWG
26	60678-85	RETAINING RING (2)	ALL
27	63859-95B	GASKET (2)	ALL

## **BELTS, CHAINS, SPROCKETS & REAR BELT GUARD**



VIEW INTERACTIVE IMAGE

View interactive table

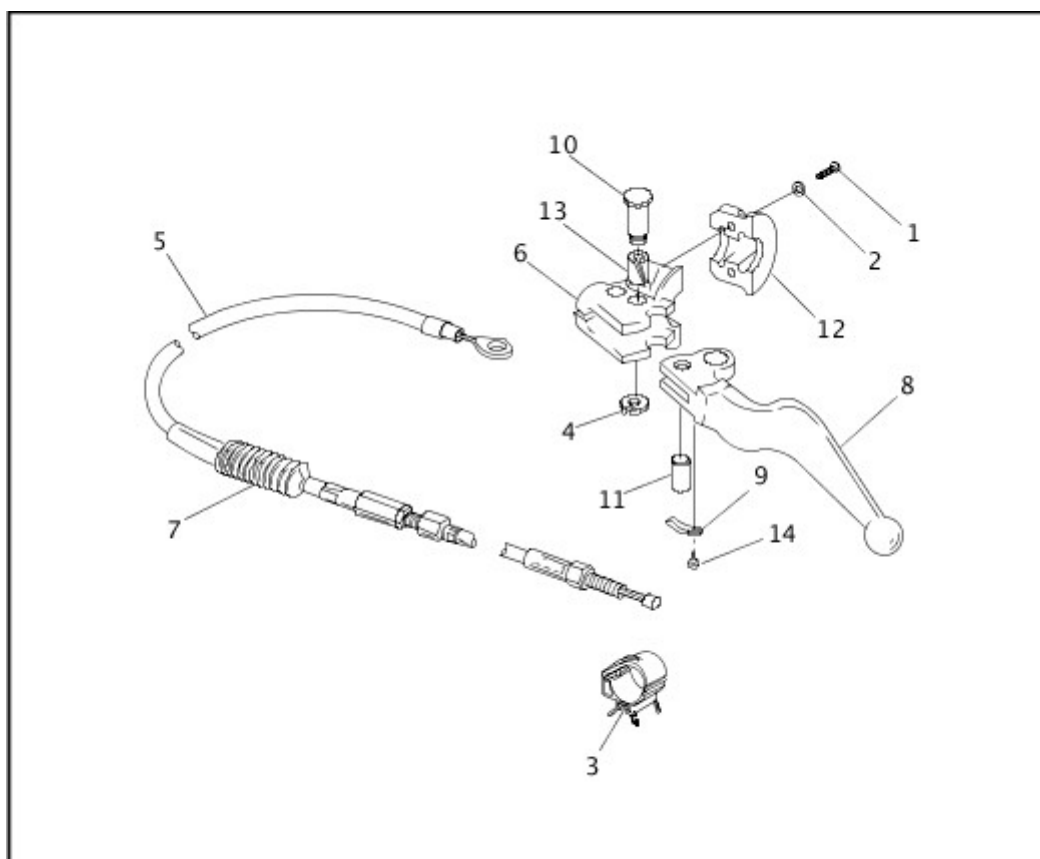
INDEX NO.	PART NO.	DESCRIPTION	MODEL(S)
1	1783C	SCREW (2)	ALL
2	2614	BOLT (2)	ALL
3	2871W	BOLT	ALL
4	3579A	SCREW (3)	ALL
5	3594	SCREW (2)	ALL
6	3991	BOLT	ALL



INDEX NO.	PART NO.	DESCRIPTION	MODEL(S)
7	5444	BOLT	ALL
8	5883	SPACER	ALL
9	5978W	SPACER	ALL
10	6400HB	WASHER	ALL
11	6702	WASHER (2)	ALL
12	6703	WASHER (2)	ALL
13	7531	LOCKNUT (2)	ALL
14	7778	LOCKNUT	ALL
15	11411	GROMMET	ALL
16	11458	GROMMET	ALL
17	35853-96	SPACER, sprocket shaft, 0.055 thick (as required)	ALL
18	29960-91A	SPACER	ALL
19	35211-91B	NUT, sprocket	ALL
20	39976-65B	PAD, chain tensioner	ALL
21	39990-65	CHAIN TENSIONER	ALL
22	39992-65C	CHAIN TENSIONER MOUNTING KIT, w/ 7, 10 & 14	ALL
23	39993-65	PLATE, chain tensioner	ALL
24	39996-65	LOCKWASHER, chain tensioner plate	ALL
25	39998-65A	ANCHOR PLATE, chain tensioner	ALL
26	40015-90	REAR BELT, 133 T	ALL
27	40007-36B	PRIMARY CHAIN	ALL
28	40250-94C	SPROCKET, transmission, 32 T	ALL
29	40217-79A	SPROCKET, rear, 70 T (black)	FXDL, FXDS CONV, FXDWG
	40221-85A	SPROCKET, rear, 70 T (silver)	FXD
30	40251-92A	LOCKPLATE	ALL
31	40266-85	SHAFT EXTENSION	ALL
32	40308-94	COMPENSATING SPROCKET, 25 T	ALL
33	40299-83A	SLIDING CAM	ALL
34	40384-91	COVER ASSEMBLY, w/ springs	ALL
35	40392-91	NUT	ALL

INDEX NO.	PART NO.	DESCRIPTION	MODEL(S)
36	60293-90A	BELT GUARD (chrome) (replaces 60297-90A)	ALL
	60297-90A	BELT GUARD (black) (use 60293-90A)	FXD
37	60399-90A	DEBRIS DEFLECTOR	ALL

## CLUTCH CONTROL



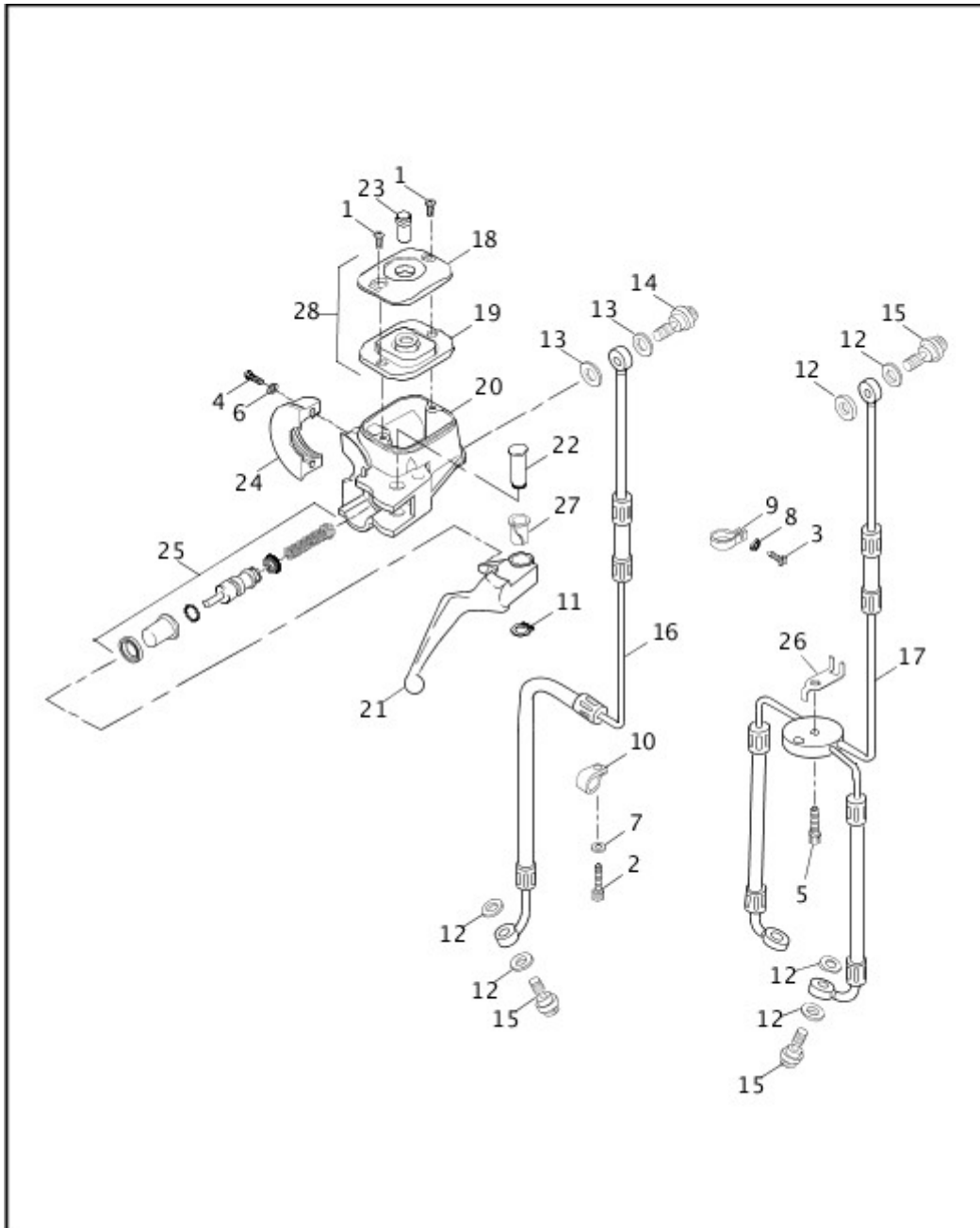
[VIEW INTERACTIVE IMAGE](#)

[View interactive table](#)

INDEX NO.	PART NO.	DESCRIPTION	MODEL(S)
1	4132	SCREW (2)	ALL
2	6101	WASHER (2)	ALL
3	10108	CLIP (3)	ALL
4	11143	RETAINING RING	ALL
5	38602-92	CABLE, clutch control	ALL
6	38608-96	BRACKET, hand lever	ALL
7	38630-88	BOOT, clutch cable	ALL

INDEX NO.	PART NO.	DESCRIPTION	MODEL(S)
8	45015-96	HAND LEVER	ALL
9	45021-86	SPRING, anti-rattle	ALL
10	45032-82	PIN, hand lever pivot	ALL
11	45036-88	ANCHOR PIN	ALL
12	45044-96A	CLAMP, lever bracket	ALL
13	45423-92	BUSHING	ALL
14	90770-79	SCREW	ALL

## FRONT BRAKE CONTROL



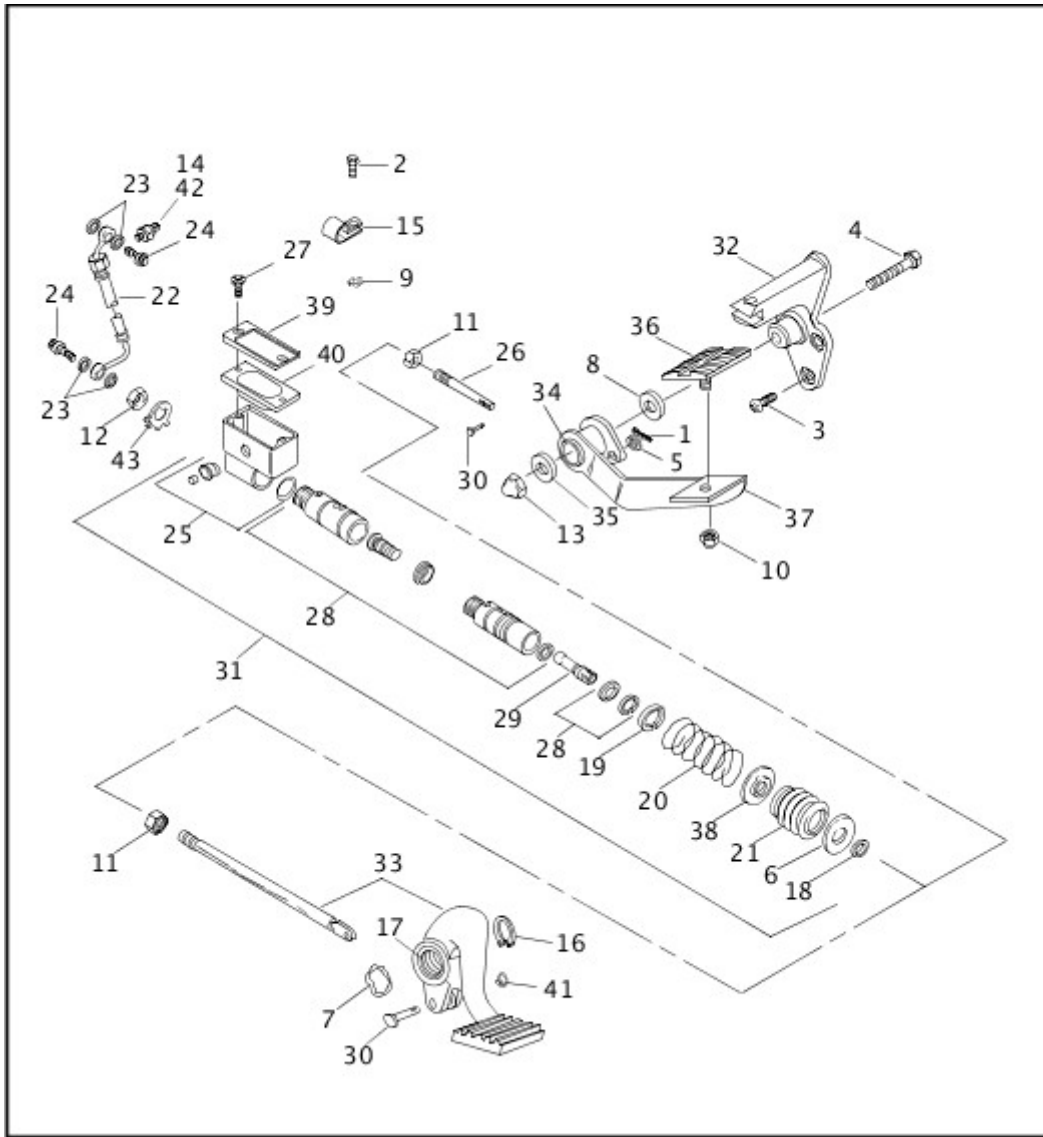
VIEW INTERACTIVE IMAGE

View interactive table

INDEX NO.	PART NO.	DESCRIPTION	MODEL(S)
1	2579A	SCREW (2)	ALL
2	3594	SCREW	FXD, FXDWG
3	4091	SCREW	FXDWG
	4240	SCREW	FXD, FXDL, FXDS CONV
4	4132	SCREW (2)	ALL
5	4741A	SCREW	FXDL, FXDS CONV
6	6101	WASHER (2)	ALL

INDEX NO.	PART NO.	DESCRIPTION	MODEL(S)
7	6703	WASHER	FXD, FXDWG
8	7220	LOCKWASHER, external tooth	ALL
9	10031	CLAMP, brake line	ALL
10	10053	CLAMP, brake line	FXD, FXDWG
11	11143	RETAINING RING	FXD, FXDWG
12	41731-88A	GASKET (2)	FXDL, FXDS CONV
12	41731-88A	GASKET (6)	ALL
13	41733-88	GASKET, master cylinder, single disc (2)	FXD, FXDWG
14	41739-84A	FITTING, master cylinder, single disc	FXD, FXDWG
15	41747-82A	FITTING	FXD, FXDWG
15	41747-82A	FITTING (3)	FXDL, FXDS CONV
16	45112-96A	BRAKE LINE	FXDWG
	45121-96A	BRAKE LINE	FXD
17	45111-96	BRAKE LINE, dual caliper	FXDL, FXDS CONV
18	45004-96A	COVER, reservoir	ALL
19	45005-96	GASKET, reservoir cover (use 45030-03C)	ALL
20	45013-96D	MASTER CYLINDER, w/ hand lever (11/16 inch bore)	FXDL, FXDS CONV
	45019-96D	MASTER CYLINDER, w/ hand lever (9/16 inch bore)	FXD, FXDWG
21	45016-96	HAND LEVER	ALL
22	45032-82	PIVOT PIN	ALL
23	45042-96	SIGHT GLASS	ALL
24	45044-96A	CLAMP, handlebar control	ALL
25	45072-96C	REPAIR KIT, master cylinder (11/16 inch bore)	FXDL, FXDS CONV
	45006-96C	REPAIR KIT, master cylinder (9/16 inch bore)	FXD, FXDWG
26	45074-95	GUIDE, brake line	FXDL
27	45423-96	BUSHING, lever pivot	ALL
28	45030-03C	COVER KIT, w/ 2579A	ALL

## REAR BRAKE CONTROL



VIEW INTERACTIVE IMAGE

View interactive table

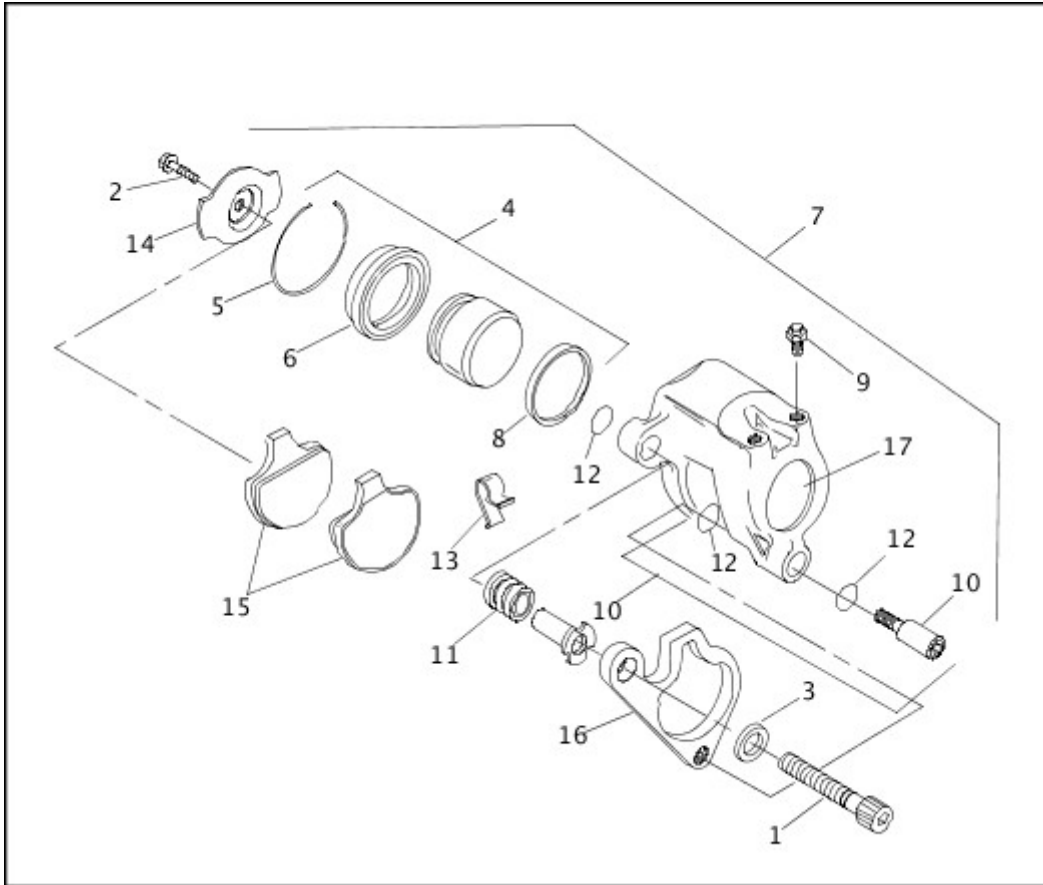
INDEX NO.	PART NO.	DESCRIPTION	MODEL(S)
1	515	COTTER PIN	ALL
2	3537	SCREW	ALL
3	4059	SCREW (2)	FXDWG
4	4713W	BOLT	FXDWG
5	6099	WASHER	FXDWG
6	6366	WASHER	ALL
7	7003	LOCKWASHER, spring	FXD, FXDL, FXDS CONV
8	7009	WASHER, spring	FXDWG

INDEX NO.	PART NO.	DESCRIPTION	MODEL(S)
9	7229W	LOCKWASHER	ALL
10	7742	LOCKNUT	FXDWG
11	7744	JAMNUT	ALL
12	7855W	JAMNUT	ALL
13	7862	ACORN NUT, locking	FXDWG
14	9898	FLAG TERMINAL (used w/ 72023-51C) (2)	ALL
	9907	WIRE TERMINAL (used w/ 72023-51E) (2)	ALL
15	10053	CLAMP	ALL
16	11005	RETAINING RING	FXD, FXDL, FXDS CONV
17	33708-94	BEARING (2)	FXD, FXDL, FXDS CONV
18	40903-87	RETAINING RING	ALL
19	40918-87	RETAINING RING	ALL
20	40920-87	SPRING	ALL
21	40922-87A	BOOT	ALL
22	40956-90B	BRAKE LINE	ALL
23	41731-88A	GASKET (4)	ALL
24	41747-82A	BOLT (2)	ALL
25	41803-90	RESERVOIR ASSEMBLY	ALL
26	41955-93	PUSHROD	FXDWG
27	42375-87	SCREW (2)	ALL
28	42382-87C	REPAIR KIT, master cylinder	ALL
29	42448-87	PUSHROD	ALL
30	42460-80B	CLEVIS PIN	ALL
31	42474-90B	MASTER CYLINDER, w/ 6366, 41803-90, 42375-87, 42382-87C, 42448-87, 45004-85 & 45005-85	ALL
32	42481-92	BRACKET, brake lever & footrest	FXDWG

INDEX NO.	PART NO.	DESCRIPTION	MODEL(S)
33	42502-90A	BRAKE PEDAL ASSEMBLY, w/ 515, 33708-94 & 42460-80B (use 42502-90B)	FXD, FXDL, FXDS CONV
	42502-90B	BRAKE PEDAL ASSEMBLY, w/ 33708-94, 42460-80B & 51938-04 (replaces 42502-90A)	FXD, FXDL, FXDS CONV
34	42524-82A	BUSHING, brake lever	FXDWG
35	42531-87	WASHER	FXDWG
36	42532-82	PAD, brake pedal	FXDWG
37	42542-93	BRAKE PEDAL	FXDWG
38	44126-87	SPRING RETAINER	ALL
39	45004-85	COVER, master cylinder	ALL
40	45005-85	GASKET, cover	ALL
41	51938-04	COTTER CIRCLE	ALL
42	72023-51C	SWITCH KIT, stop lamp, w/ 9898 (use 72023-51E)	ALL
	72023-51E	SWITCH KIT, stop lamp, w/ 9907 (replaces 72023-51C)	ALL
43	37503-41	LOCKWASHER	ALL

## FRONT BRAKE CALIPER





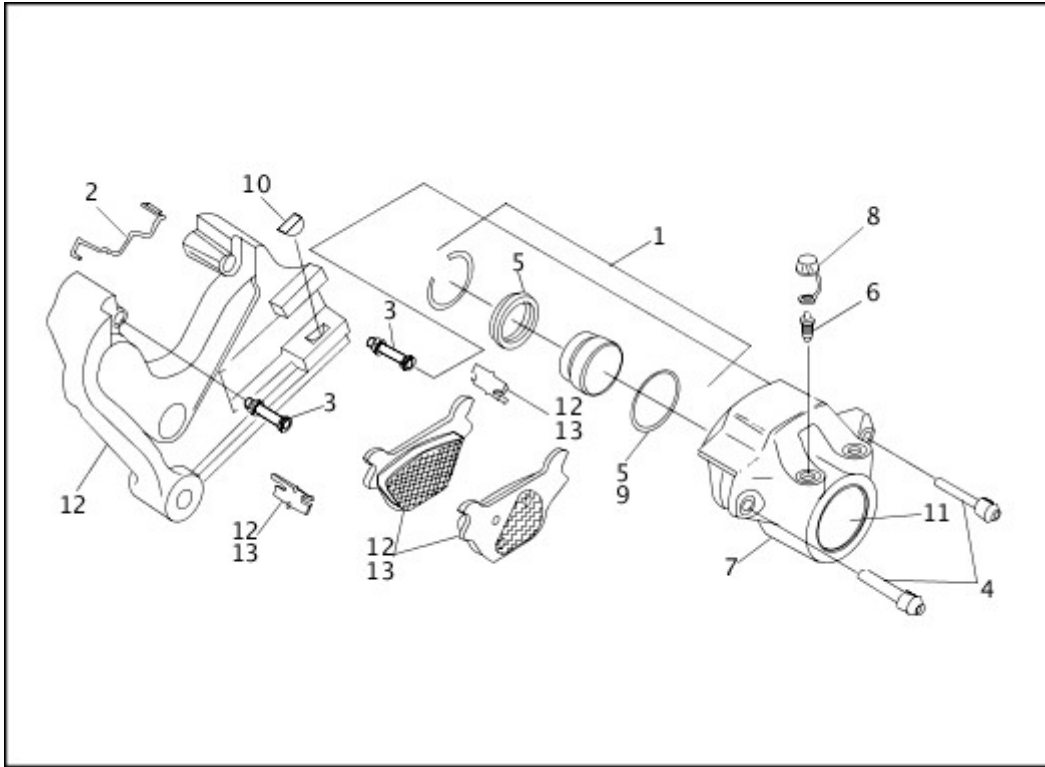
VIEW INTERACTIVE IMAGE

View interactive table

INDEX NO.	PART NO.	DESCRIPTION	MODEL(S)
1	855B	SCREW	FXD, FXDWG
1	855B	SCREW (2)	FXDL, FXDS CONV
2	3562	SCREW	FXD, FXDWG
2	3562	SCREW (2)	FXDL, FXDS CONV
3	6019	WASHER	FXD, FXDWG
3	6019	WASHER (2)	FXDL, FXDS CONV
4	44020-83	PISTON REBUILD KIT, w/ 44021-83, 44022-83 & 44047-83	FXD, FXDWG
4	44020-83	PISTON REBUILD KIT, w/ 44021-83, 44022-83 & 44047-83 (2)	FXDL, FXDS CONV
5	44021-83	RETAINING RING, piston	FXD, FXDWG
5	44021-83	RETAINING RING, piston (2)	FXDL, FXDS CONV
6	44022-83	DUST BOOT, piston	FXD, FXDWG
6	44022-83	DUST BOOT, piston (2)	FXDL, FXDS CONV
7	44023-83C	CALIPER ASSEMBLY, right	FXDL, FXDS CONV

INDEX NO.	PART NO.	DESCRIPTION	MODEL(S)
	44046-84C	CALIPER ASSEMBLY, left	ALL
8	44047-83	SEAL, piston	FXD, FXDWG
8	44047-83	SEAL, piston (2)	FXDL, FXDS CONV
9	44048-83	BLEEDER FITTING	FXD, FXDWG
9	44048-83	BLEEDER FITTING (2)	FXDL, FXDS CONV
10	44053-92A	GUIDE PIN KIT, w/ 44054-83, 44059-83 & mounting pins	FXD, FXDWG
10	44053-92A	GUIDE PIN KIT, w/ 44054-83, 44059-83 & mounting pins (2)	FXDL, FXDS CONV
11	44054-83	PIN BOOT	FXD, FXDWG
11	44054-83	PIN BOOT (2)	FXDL, FXDS CONV
12	44059-83	O-RING (3)	FXD, FXDWG
12	44059-83	O-RING (6)	FXDL, FXDS CONV
13	44061-83	SPRING CLIP	FXD, FXDWG
13	44061-83	SPRING CLIP (2)	FXDL, FXDS CONV
14	44062-83	RETAINING PAD	FXD, FXDWG
14	44062-83	RETAINING PAD (2)	FXDL, FXDS CONV
15	44063-83C	PAD SET, w/ 3562	FXD, FXDWG
15	44063-83C	PAD SET, w/ 3562 (2)	FXDL, FXDS CONV
16	44072-92A	BRACKET, caliper mounting (left)	ALL
	44073-92A	BRACKET, caliper mounting (right)	FXDL, FXDS CONV
17	44197-77	LABEL	FXD, FXDWG
17	44197-77	LABEL (2)	FXDL, FXDS CONV

## REAR BRAKE CALIPER

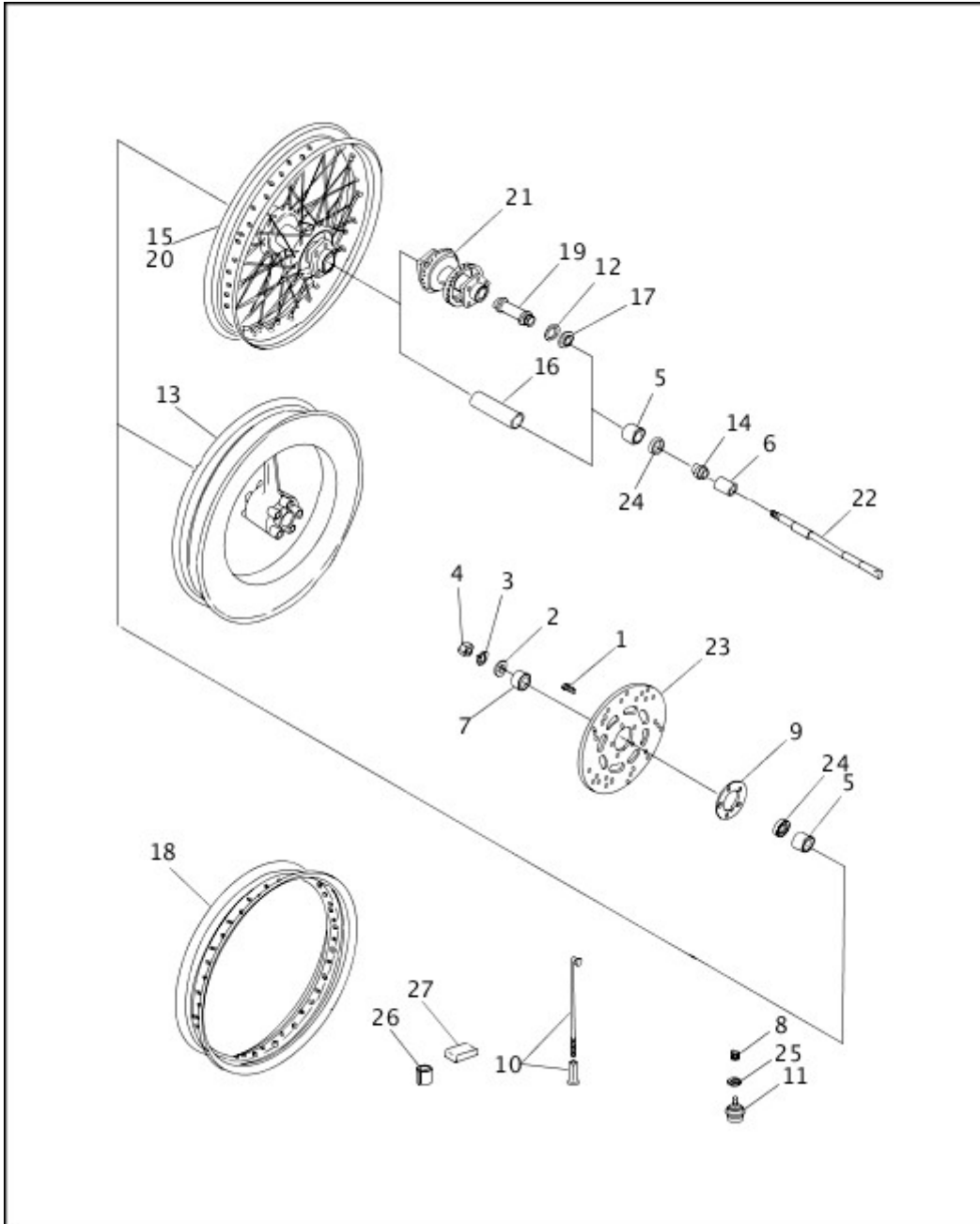


VIEW INTERACTIVE IMAGE

View interactive table

INDEX NO.	PART NO.	DESCRIPTION	MODEL(S)
1	43946-86	PISTON KIT, w/ 44152-77	ALL
2	43960-86	RETAINER	ALL
3	44035-86A	BUSHING (2)	ALL
4	44039-86	MOUNTING KIT, w/ 44035-86A	ALL
5	44045-87	SEAL & BOOT KIT	ALL
6	44048-83	SCREW, bleeder	ALL
7	44050-87	CALIPER ASSEMBLY, w/o bracket, w/ 43946-86, 44048-83 & 44147-87A	ALL
8	44147-87A	CAP, bleeder screw	ALL
9	44152-77	BOOT	ALL
10	44196-90	BUMPER	ALL
11	44198-87	CALIPER INSERT	ALL
12	44204-90	BRACKET, mounting, w/ 44035-86A, 44196-90 & insert	ALL
13	44209-87C	PAD SET, w/ inserts	ALL

## FRONT WHEEL



VIEW INTERACTIVE IMAGE

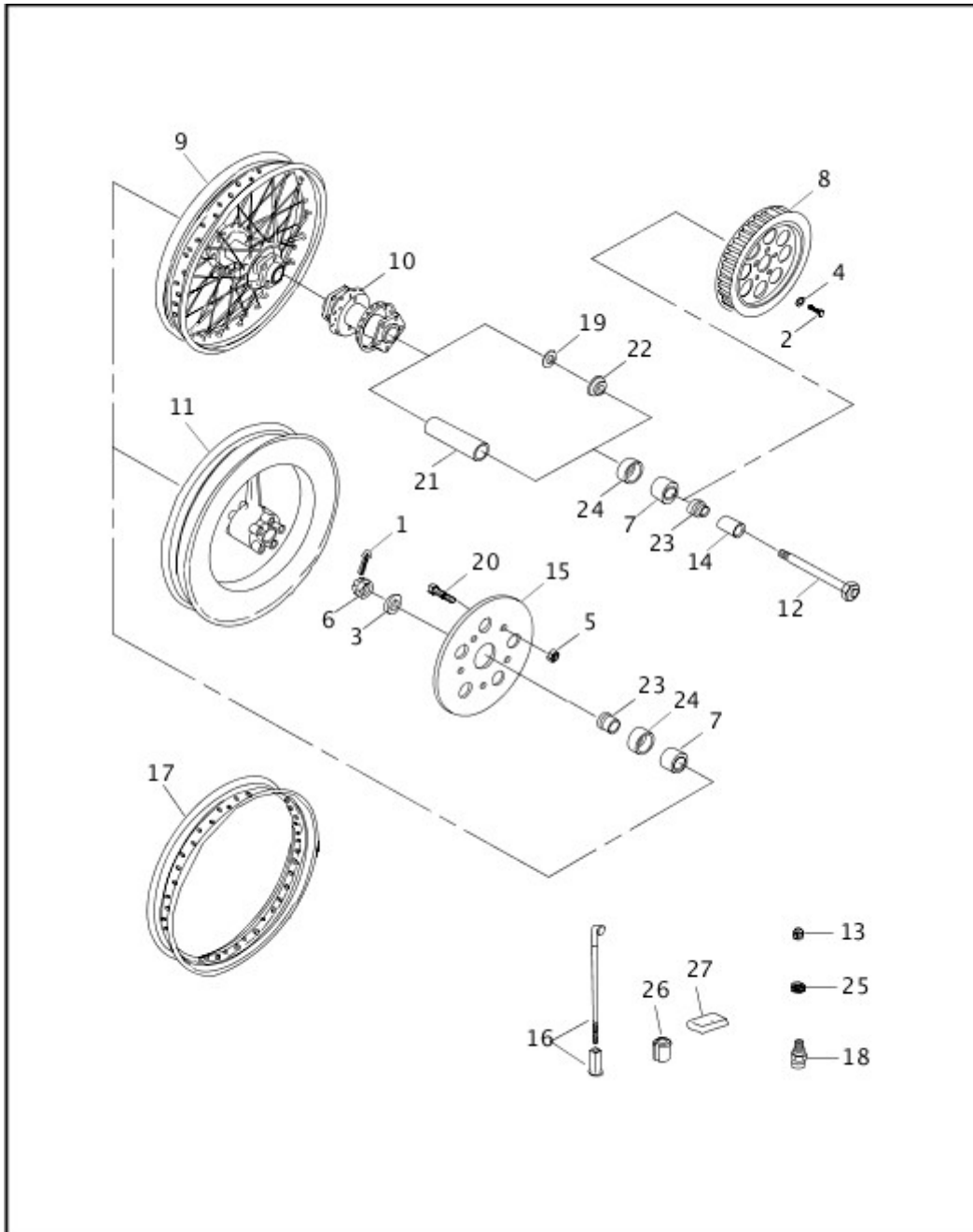
View interactive table

INDEX NO.	PART NO.	DESCRIPTION	MODEL(S)
1	3655A	SCREW (5)	FXD, FXDWG
1	3655A	SCREW (10)	FXDL, FXDS CONV
2	6590HW	WASHER	ALL
3	7068	LOCKWASHER	ALL
4	7956	NUT	ALL
5	9052	ROLLER BEARING (2)	ALL
6	40910-84B	SPACER, right bearing	FXDWG

INDEX NO.	PART NO.	DESCRIPTION	MODEL(S)
7	43617-95	SPACER, left	FXD, FXDL, FXDS CONV
	43683-97	SPACER, left	FXDWG
8	41123-79	VALVE CAP	ALL
9	43359-84	HUB PLATE	FXD
10	40761-05	SPOKE & NIPPLE SET, 19 inch rim, short (20)	FXD, FXDL, FXDS CONV
	43025-73B	SPOKE & NIPPLE SET, 19 inch rim, long (20)	FXD, FXDL, FXDS CONV
	43239-05	SPOKE & NIPPLE SET, 21 inch (40)	FXDWG
11	43157-83A	VALVE STEM	FXD, FXDL, FXDS CONV
12	43290-82	SPACER, 0.032 inch thick	ALL
	43291-82	SPACER, 0.016 inch thick	ALL
	43292-82	SPACER, 0.008 inch thick	ALL
	43293-82	SPACER, 0.004 inch thick	ALL
	43294-82	SPACER, 0.002 inch thick	ALL
13	43499-96	WHEEL ASSEMBLY, 19 inch, 13-spoke (black)	FXDL, FXDS CONV
	43594-96	WHEEL ASSEMBLY, 19 inch, 13-spoke (silver)	FXD
14	43358-83A	SPACER, bearing	FXD, FXDL, FXDS CONV
15	43312-84B	WHEEL ASSEMBLY, 19 inch laced	FXD
	43591-96B	WHEEL ASSEMBLY, 19 inch laced	FXDL, FXDS CONV
16	43613-92	SLEEVE	FXD, FXDL, FXDS CONV
	43608-82	SLEEVE	FXDWG
17	43650-82	SPACER WASHER	ALL
18	43662-80B	RIM, 21 inch (chrome)	FXDWG
	43001-06	RIM, 19 inch (chrome)	FXD, FXDL, FXDS CONV
19	43668-82	SLEEVE (laced)	FXDWG
20	43671-84C	WHEEL ASSEMBLY, 21 inch laced	FXDWG
21	43672-84A	HUB, w/ bearings & seals (use 43671-84C)	FXDWG
	43619-84	HUB, w/ bearings & seals	FXD
	43591-96B	HUB, w/ bearings & seals	FXDL, FXDS CONV
22	43895-87B	AXLE	FXD, FXDL, FXDS CONV
	43346-83B	AXLE	FXDWG

INDEX NO.	PART NO.	DESCRIPTION	MODEL(S)
23	44136-92	BRAKE DISC	FXD, FXDWG
23	44136-92	BRAKE DISC (2)	FXDL, FXDS CONV
24	47519-83A	OIL SEAL (2)	ALL
25	54321-85	NUT, valve stem	FXDWG
26	95578-41	WEIGHT, 1/2 oz., 0.275 inch I.D. round	ALL
	95581-47	WEIGHT, 3/4 oz., 0.275 inch I.D. round	ALL
	95582-47	WEIGHT, 1 oz., 0.275 inch I.D. round	ALL
27	95594-84A	WEIGHT, 5 grams (for cast wheel) (black)	FXDL, FXDS CONV
	95595-84A	WEIGHT, 5 grams (for cast wheel) (silver)	FXD
28	3795	SCREW (not illustrated) (10)	FXD, FXDL, FXDS CONV
29	43683-97	SPACER, wheel bearing (with hub) (not illustrated)	FXDWG

## REAR WHEEL



[VIEW INTERACTIVE IMAGE](#)

[View interactive table](#)

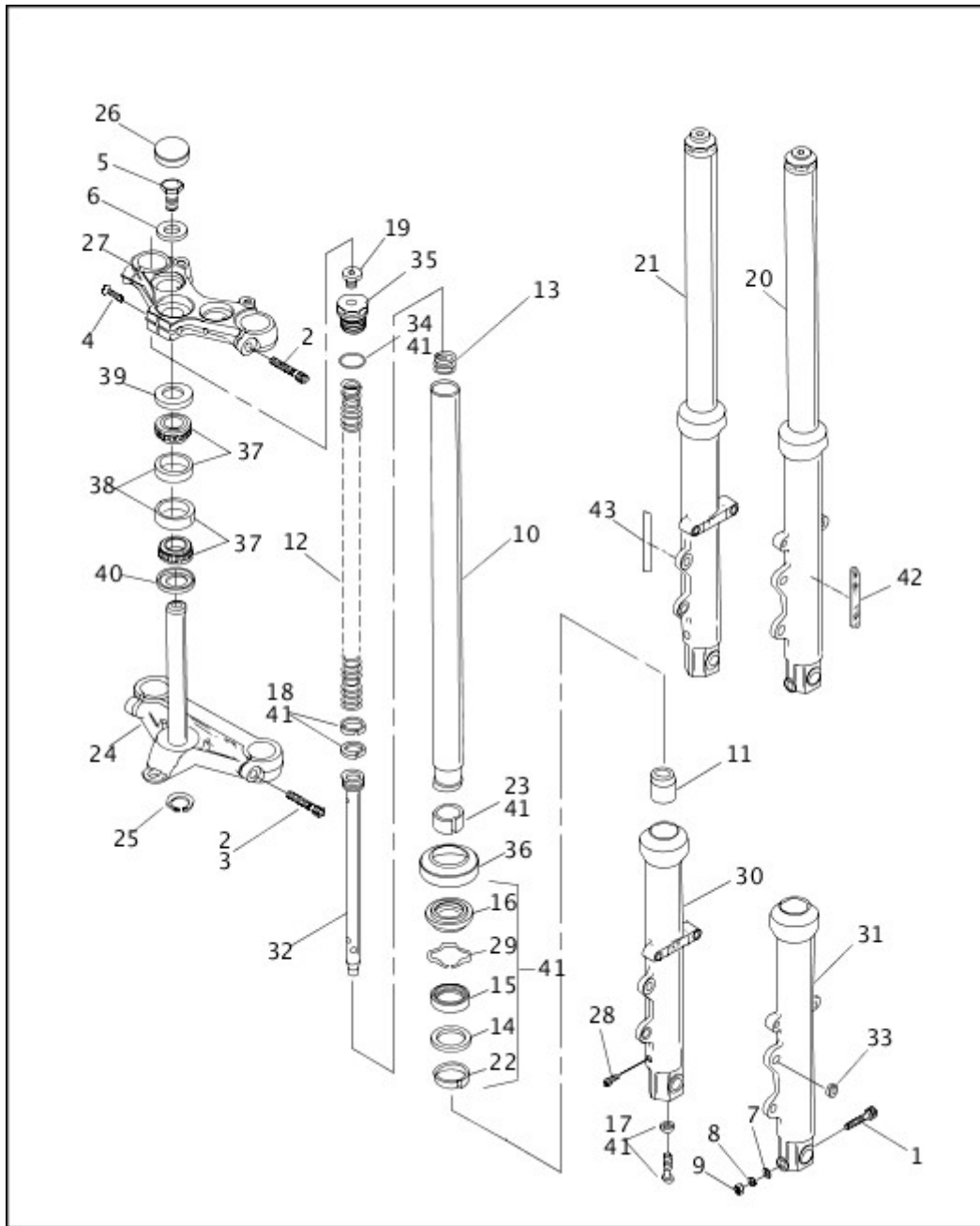
INDEX NO.	PART NO.	DESCRIPTION	MODEL(S)
1	510	SPRING CLIP	ALL
2	3730A	BOLT (cast wheels) (5)	ALL
3	5756	WASHER	ALL
4	6516HW	WASHER (5)	ALL
5	7778	LOCKNUT (5)	ALL
6	7987	NUT	ALL

INDEX NO.	PART NO.	DESCRIPTION	MODEL(S)
7	9052	ROLLER BEARING (2)	ALL
8	40217-79A	SPROCKET, 70T (black)	FXDL, FXDS CONV, FXDWG
	40221-85A	SPROCKET, 70T (silver)	FXD
9	40975-86C	WHEEL ASSEMBLY, 16 inch laced (chrome)	ALL
10	40976-86A	HUB ASSEMBLY, w/ spacer, bearings & seals	ALL
11	40992-96	WHEEL ASSEMBLY, 16 inch cast, 13-spoke (silver)	FXD
	41012-96	WHEEL ASSEMBLY, 16 inch cast, 13-spoke (black)	FXDL, FXDS CONV
12	41114-90	AXLE	ALL
13	41123-79	VALVE CAP	ALL
14	41591-90	SPACER, rear axle, left	ALL
15	41789-92	DISC, brake, w/ 43567-92	ALL
16	43241-05	SPOKE & NIPPLE SET, 16 inch rim (40)	ALL
17	43085-97	RIM, 16 inch (chrome)	FXDWG
18	43157-83A	VALVE STEM ASSEMBLY	FXD, FXDL, FXDS CONV
19	43290-82	SPACER, 0.032 inch thick	ALL
	43291-82	SPACER, 0.016 inch thick	ALL
	43292-82	SPACER, 0.008 inch thick	ALL
	43293-82	SPACER, 0.004 inch thick	ALL
	43294-82	SPACER, 0.002 inch thick	ALL
20	43567-92	SCREW (5)	ALL
21	43608-82	SPACER	FXD, FXDL, FXDS CONV
22	43650-82	SPACER WASHER	ALL
23	43654-86A	SPACER (2)	ALL
24	47519-83A	OIL SEAL (2)	ALL
25	54321-85	NUT, valve stem	ALL
26	95578-41	WEIGHT, 1/2 oz., 0.275 inch I.D. round	ALL
	95581-47	WEIGHT, 3/4 oz., 0.275 inch I.D. round	ALL
	95582-47	WEIGHT, 1 oz., 0.275 inch I.D. round	ALL
27	95594-84A	WEIGHT, 5 grams (black)	FXDL, FXDS CONV
	95595-84A	WEIGHT, 5 grams (silver)	FXD



INDEX NO.	PART NO.	DESCRIPTION	MODEL(S)
-----------	----------	-------------	----------

## FRONT FORK - FXD, FXDL & FXDS-CON (1 OF 2)



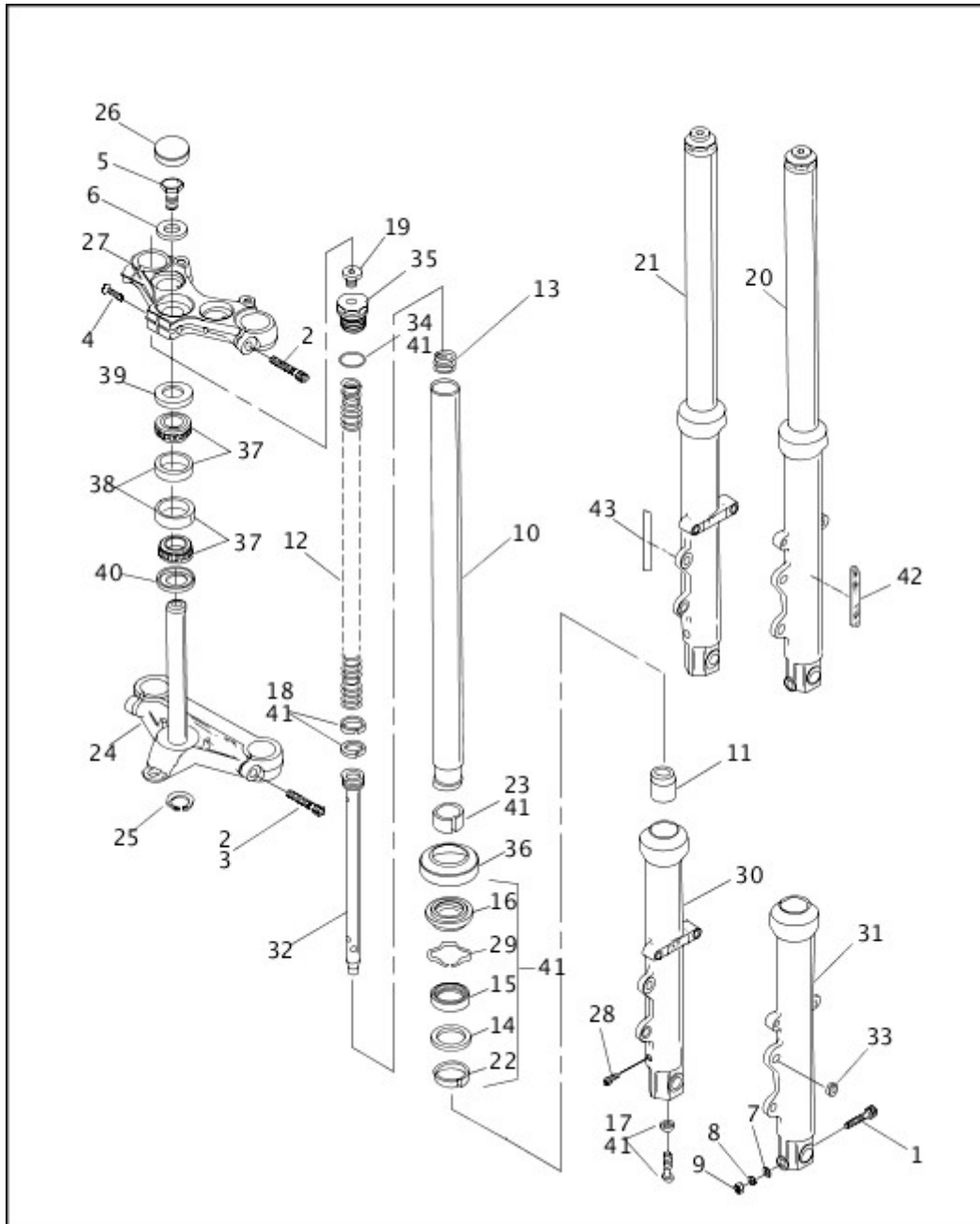
VIEW INTERACTIVE IMAGE

[View interactive table](#)

INDEX NO.	PART NO.	DESCRIPTION	MODEL(S)
1	4029A	SCREW	FXD, FXDL, FXDS CONV
2	4351	SCREW (2)	FXDS CONV
2	4351	SCREW (4)	FXD, FXDL

INDEX NO.	PART NO.	DESCRIPTION	MODEL(S)
3	4047	SCREW (2)	FXDS CONV
4	4352	SCREW	FXD, FXDL, FXDS CONV
5	4453	BOLT	FXDL, FXDS CONV
	4460	BOLT	FXD
6	6655	WASHER	FXD, FXDL, FXDS CONV
7	6701	WASHER	FXD, FXDL, FXDS CONV
8	7038	LOCKWASHER	FXD, FXDL, FXDS CONV
9	7783	NUT	FXD, FXDL, FXDS CONV
10	45360-90	SLIDER TUBE (2)	FXDL
	45365-94	SLIDER TUBE (2)	FXDS CONV
	45395-92	SLIDER TUBE (2)	FXD
11	45361-90	LOWER STOP (2)	FXD, FXDL, FXDS CONV
12	45362-90	SPRING (2)	FXDL
	45363-94	SPRING (2)	FXDS CONV
	45941-95	SPRING (2)	FXD
13	45374-87	SPRING, slider (2)	FXD, FXDL, FXDS CONV
14	45377-87	SPACER, oil seal (2)	FXD, FXDL, FXDS CONV
15	45378-87	OIL SEAL (2)	FXD, FXDL, FXDS CONV
16	45401-87	SEAL, dust (2)	FXD, FXDL, FXDS CONV
17	45405-75A	SCREW, w/ washer (2)	FXD, FXDS CONV
18	45460-90	RING, damper tube (2)	FXD, FXDL, FXDS CONV
19	45546-90	SCREW, w/ washer (2)	FXDL
20	45947-95	FORK SLIDER & TUBE ASSEMBLY, right	FXD
	45949-92	FORK SLIDER & TUBE ASSEMBLY, right	FXDL
	45976-94	FORK SLIDER & TUBE ASSEMBLY, right	FXDS CONV
21	45948-95	FORK SLIDER & TUBE ASSEMBLY, left	FXD
	45952-90	FORK SLIDER & TUBE ASSEMBLY, left	FXDL
	45977-94	FORK SLIDER & TUBE ASSEMBLY, left	FXDS CONV

## FRONT FORK - FXD, FXDL & FXDS-CON (2 OF 2)



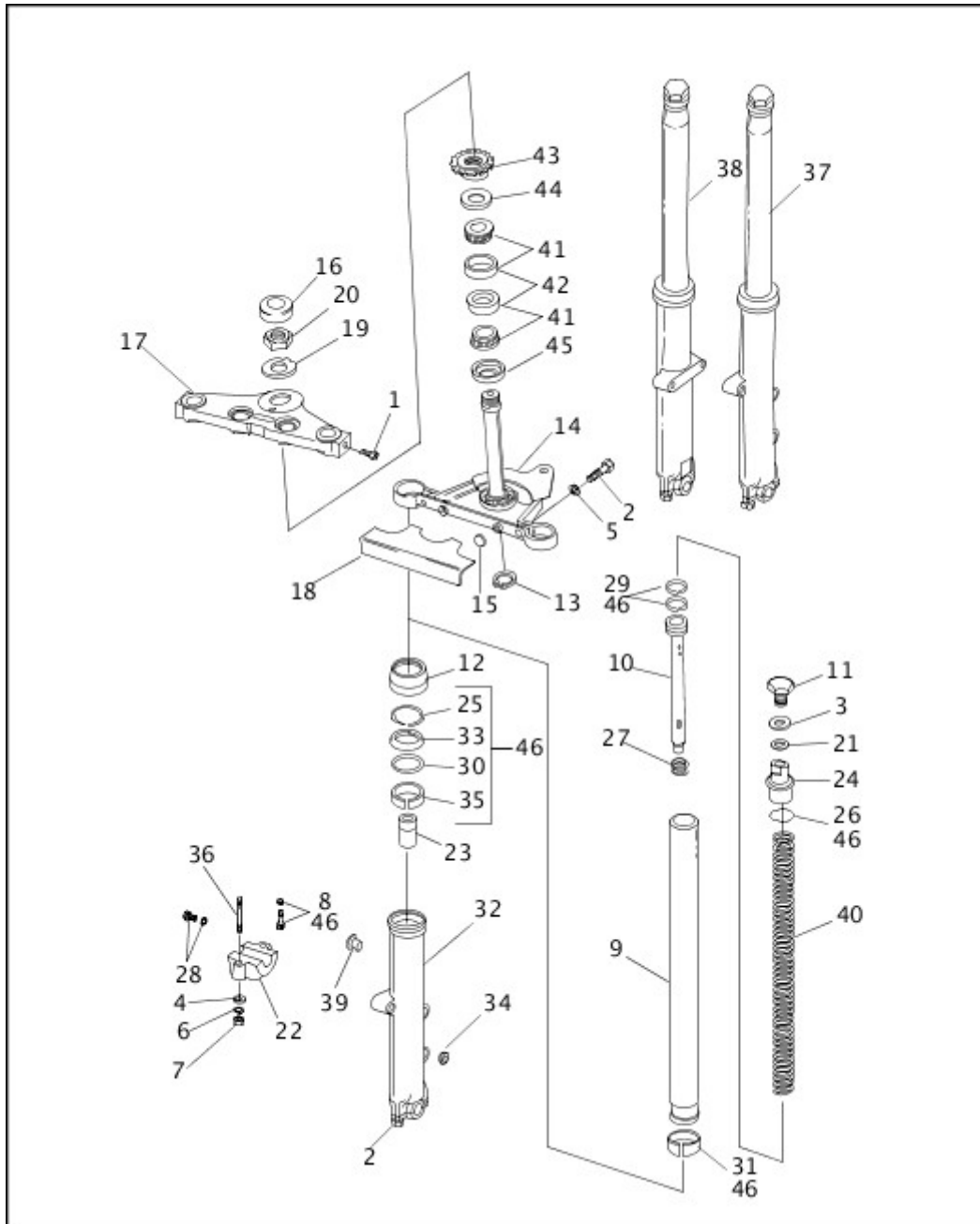
VIEW INTERACTIVE IMAGE

View interactive table

INDEX NO.	PART NO.	DESCRIPTION	MODEL(S)
22	45461-87	BUSHING, upper (2)	FXD, FXDL, FXDS CONV
23	45465-87	BUSHING, slider tube (2)	FXD, FXDL, FXDS CONV
24	45598-90B	BRACKET, lower, w/ stem	FXD, FXDL, FXDS CONV
25	45611-86	RETAINING RING	FXD, FXDL, FXDS CONV
26	45668-90	CAP, fork stem	FXD, FXDL, FXDS CONV
27	45739-87	BRACKET, upper	FXD, FXDL, FXDS CONV
28	45790-80	DRAIN SCREW, w/ washer (2)	FXD, FXDL, FXDS CONV

INDEX NO.	PART NO.	DESCRIPTION	MODEL(S)
29	45905-87	RETAINING RING, oil seal	FXD, FXDL, FXDS CONV
30	45921-87	SLIDER ASSEMBLY, left	FXD, FXDL, FXDS CONV
31	45922-87	SLIDER ASSEMBLY, right	FXDL, FXDS CONV
	45923-87	SLIDER ASSEMBLY, right	FXD
32	45925-94	DAMPER TUBE (2)	FXD
	45926-90	DAMPER TUBE (2)	FXDL
	45364-94	DAMPER TUBE (2)	FXDS CONV
33	45934-86	BUSHING	FXD
33	45934-86	BUSHING (2)	FXDL, FXDS CONV
34	45984-87	O-RING (2)	FXD, FXDL, FXDS CONV
35	45990-88	CAP, slider tube (2)	FXDL
	45996-87	CAP, slider tube (2)	FXD, FXDS CONV
36	46002-87	COVER, slider (2)	FXD, FXDL, FXDS CONV
37	48300-60	ROLLER BEARING, w/ cup (2)	FXD, FXDL, FXDS CONV
38	48315-60	BEARING CUP (2)	FXD, FXDL, FXDS CONV
39	48361-80	DUST SHIELD, upper	FXD, FXDL, FXDS CONV
40	48365-48A	DUST SHIELD, lower	FXD, FXDL, FXDS CONV
41	49378-09	FORK REBUILD KIT, w/ 14-18, 22, 23, 29 & 34	FXD, FXDL, FXDS CONV
42	59481-00	REFLECTOR, amber, right	FXD, FXDL, FXDS CONV
43	59482-00	REFLECTOR, amber, left	FXD, FXDL, FXDS CONV

## FRONT FORK - FXDWG



VIEW INTERACTIVE IMAGE

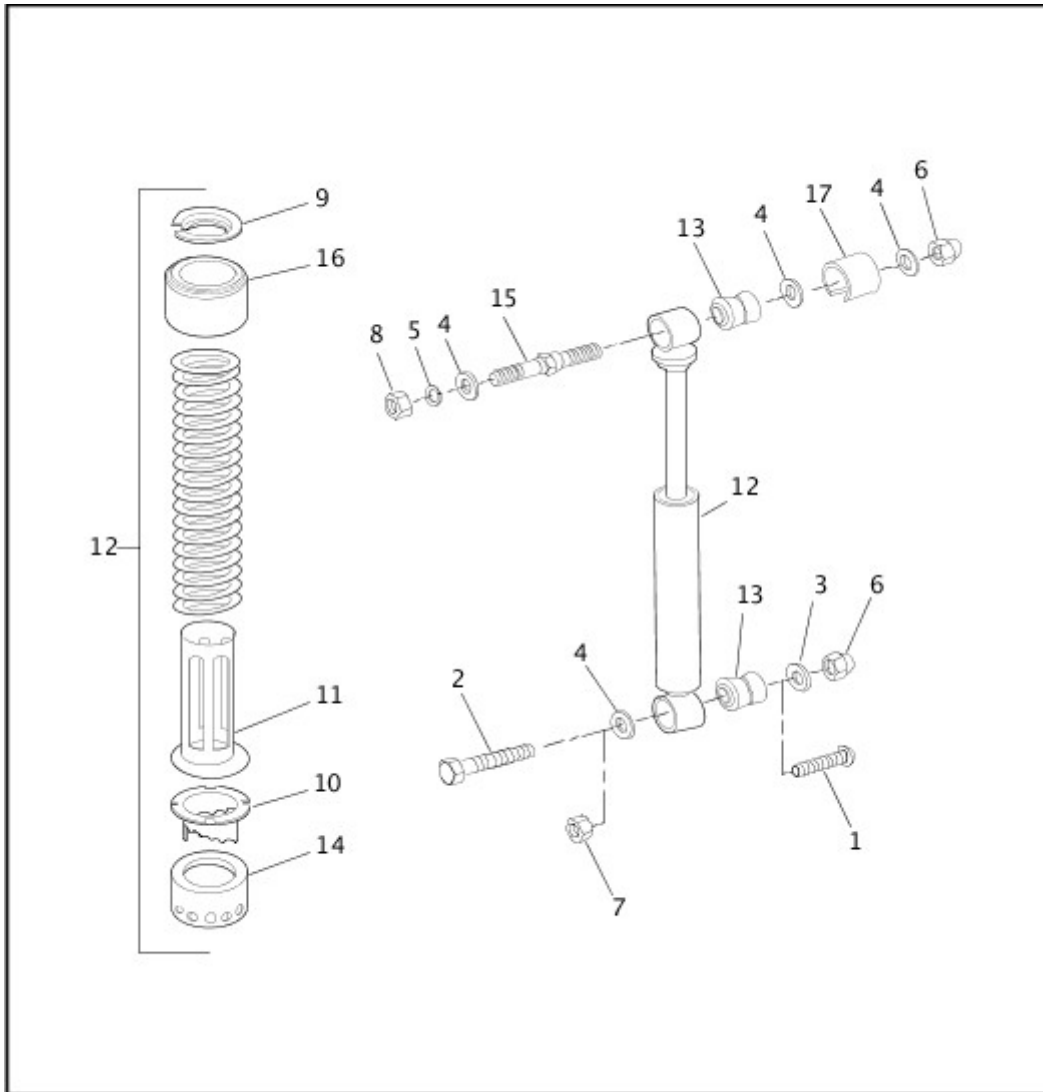
View interactive table

INDEX NO.	PART NO.	DESCRIPTION	MODEL(S)
1	2823	SCREW (2)	FXDWG
2	4729	BOLT (2)	FXDWG
3	5710	WASHER (2)	FXDWG
4	6702	WASHER, right slider (2)	FXDWG
5	7039	LOCKWASHER (2)	FXDWG
6	7041	LOCKWASHER, right slider (2)	FXDWG
7	7962	NUT, right slider (2)	FXDWG

INDEX NO.	PART NO.	DESCRIPTION	MODEL(S)
8	45405-75A	SCREW, w/ washer, damper tube (2)	FXDWG
9	45417-84	SLIDER TUBE (2)	FXDWG
10	45418-84	DAMPER TUBE, complete (2)	FXDWG
11	45419-80	CAP, slider tube (2)	FXDWG
12	45420-80	DUST COVER (2)	FXDWG
13	45611-86	RETAINING RING	FXDWG
14	45679-92	STEM & BRACKET, w/ bearing & shield	FXDWG
15	45648-85A	PAD (felt) (2)	FXDWG
16	45670-80A	CAP, fork stem	FXDWG
17	45672-80B	BRACKET, upper (chrome)	FXDWG
18	45685-93	MOUNTING PLATE, headlamp (chrome)	FXDWG
19	45717-63	LOCKWASHER, fork stem nut	FXDWG
20	45718-60	NUT, fork stem	FXDWG
21	45733-48	OIL SEAL, fork tube plug (2)	FXDWG
22	45832-77A	AXLE CAP, right slider	FXDWG
23	45834-77	LOWER STOP (2)	FXDWG
24	45838-77	PLUG, fork tube (2)	FXDWG
25	45842-77A	RETAINING RING, oil seal (2)	FXDWG
26	45845-77	O-RING, slider tube plug (2)	FXDWG
27	45855-77	SPRING, damper tube (2)	FXDWG
28	45858-77	DRAIN SCREW, w/ washer, slider (2)	FXDWG
29	45859-77A	RING, damper tube (4)	FXDWG
30	45865-84	WASHER, slider (2)	FXDWG
31	45866-84	BUSHING, slider tube (2)	FXDWG
32	45873-91A	SLIDER, left	FXDWG
	45874-91	SLIDER, right	FXDWG
33	45875-84A	OIL SEAL, slider (2)	FXDWG
34	45934-86	BUSHING, brake caliper	FXDWG
35	45940-84	BUSHING, slider	FXDWG
36	45998-73	STUD (2)	FXDWG

INDEX NO.	PART NO.	DESCRIPTION	MODEL(S)
37	46004-91A	FORK SLIDER & TUBE ASSEMBLY, left	FXDWG
38	46006-91A	FORK SLIDER & TUBE ASSEMBLY, right	FXDWG
39	46020-84	BUSHING, upper, left slider, brake caliper	FXDWG
40	46048-84	SPRING (2)	FXDWG
41	48300-60	ROLLER BEARING, w/ cup (2)	FXDWG
42	48315-60	BEARING CUP (2)	FXDWG
43	48332-48C	ADJUSTING NUT, upper	FXDWG
44	48361-80	DUST SHIELD, bearing, upper	FXDWG
45	48365-48A	DUST SHIELD, bearing, lower	FXDWG
46	49377-09A	FORK REBUILD KIT, w/ 8, 25, 26, 29, 30, 31, 33 & 35	FXDWG

## SHOCK ABSORBERS - HYDRAULIC



VIEW INTERACTIVE IMAGE

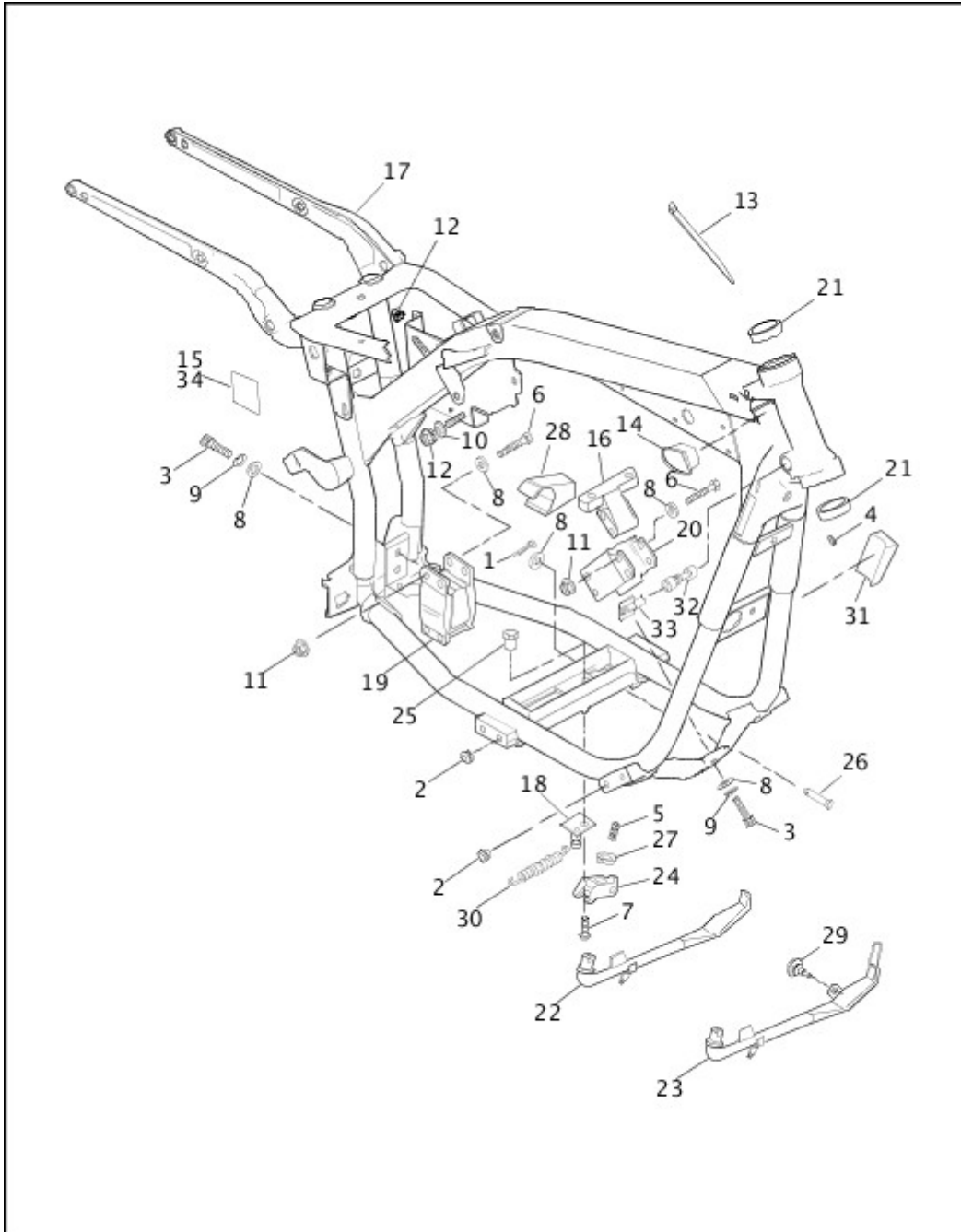
View interactive table

INDEX NO.	PART NO.	DESCRIPTION	MODEL(S)
1	3891	SCREW (2)	FXDS CONV
2	3958	BOLT (2)	FXD, FXDL, FXDWG
3	6012	WASHER (2)	FXD, FXDL, FXDWG
4	6113	WASHER (8)	ALL
5	7068	LOCKWASHER (2)	ALL
6	7554	ACORN NUT (2)	FXDS CONV
6	7554	ACORN NUT (4)	FXD, FXDL, FXDWG
7	7824	LOCKNUT (2)	FXDS CONV
8	7845	NUT (2)	ALL
9	54473-79	SPRING SEAT (2)	ALL



INDEX NO.	PART NO.	DESCRIPTION	MODEL(S)
10	54474-79	ADJUSTER, spring (2)	ALL
11	54475-79	GUIDE, spring (2)	ALL
12	54512-90A	SHOCK ABSORBER, complete (2)	FXD, FXDL, FXDWG
	54577-94	SHOCK ABSORBER, complete (2)	FXDS CONV
13	54556-84	BUSHING (4)	ALL
14	54569-84	CAM SLEEVE (2)	FXD, FXDL, FXDWG
15	54557-90A	BOLT, shock mount (2)	ALL
16	54710-84	COVER, upper (chrome)	ALL
17	54708-65A	COVER, shock bolt (2)	ALL

## FRAME & JIFFY STAND



VIEW INTERACTIVE IMAGE

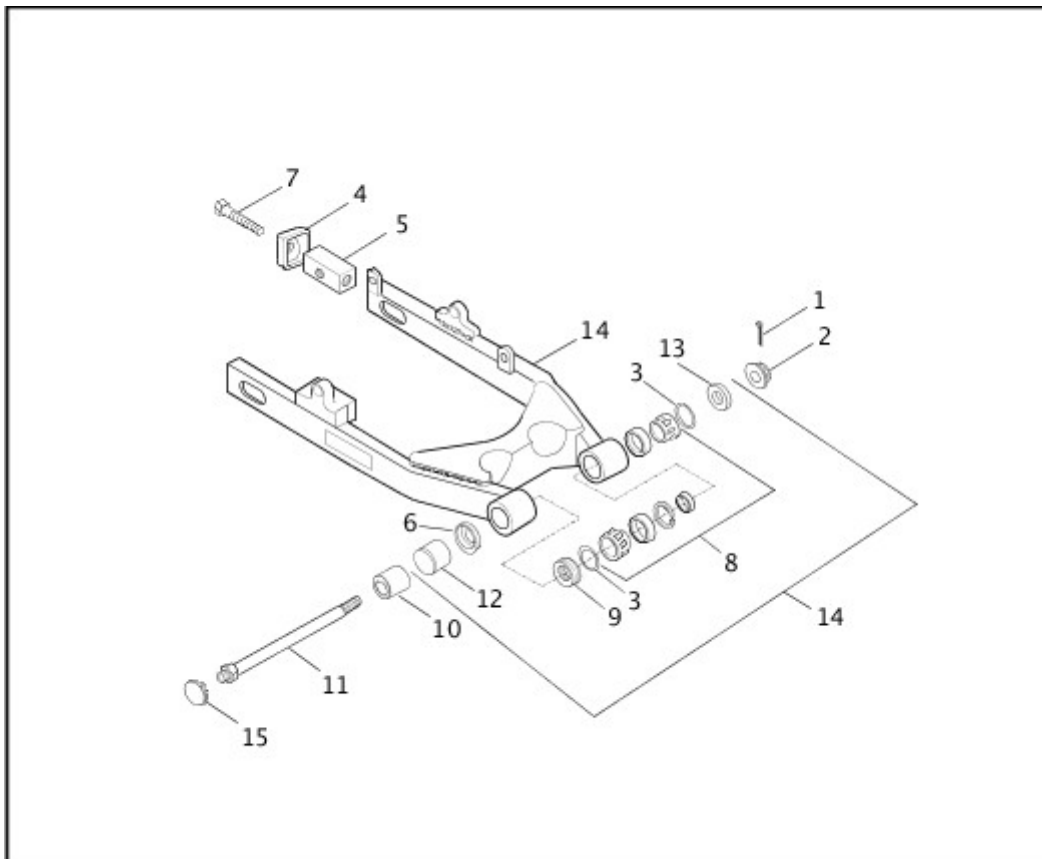
View interactive table

INDEX NO.	PART NO.	DESCRIPTION	MODEL(S)
1	554A	COTTER PIN	ALL
2	740	PLUG (4)	FXD, FXDL
3	3214	SCREW (4)	ALL
4	3233	SCREW (2)	ALL
5	3487	BOLT	ALL
6	3509	BOLT (4)	ALL

INDEX NO.	PART NO.	DESCRIPTION	MODEL(S)
7	3655A	SCREW	ALL
8	6701	WASHER (9)	ALL
9	7038	LOCKWASHER (4)	ALL
10	7127	LOCKWASHER	ALL
11	7601	LOCKNUT (4)	ALL
12	7796	NUT, w/ washer (2)	ALL
13	10039	CABLE STRAP	ALL
14	11457	PLUG, steering head	ALL
15	14273-96	LABEL IGNITION, hole cover	FXDWG
	14117-96A	LABEL IGNITION, hole cover	FXD, FXDL, FXDS CONV
16	47226-90A	BRACKET KIT, front engine mount	ALL
17	47427-97A	FRAME, 32 degree rake	FXDL, FXDWG
	47456-97A	FRAME, 28 degree rake	FXD, FXDS CONV
18	47318-98	ANCHOR	ALL
19	47564-90B	ISOLATOR, rear	ALL
20	47583-90B	ISOLATOR, front	ALL
21	48315-60	BEARING CUP, steering head (2)	ALL
22	49704-90H	LEG, jiffy stand	FXD, FXDL, FXDWG
23	49710-94B	LEG, jiffy stand	FXDS CONV
24	49720-90	PIVOT BLOCK	ALL
25	49723-90	THREADED SPACER	ALL
26	50003-89B	PIN	ALL
27	50053-90	CATCH	ALL
28	50054-90	BUMPER	FXD, FXDL, FXDWG
29	62123-66	BUMPER	FXDS CONV
30	50057-91	SPRING	ALL
31	59272-90	REFLECTOR (amber) (2)	ALL
32	71450-04	LOCKSET, fork & ignition, w/ key	FXDWG
	71421-90B	LOCKSET, fork & ignition, w/ key	FXD, FXDL, FXDS CONV
33	71452-91A	KEY (specify key code)	ALL

INDEX NO.	PART NO.	DESCRIPTION	MODEL(S)
<b>INTERNATIONAL MODELS ONLY</b>			
34	14117-96A	LABEL IGNITION, hole cover (HDI)	FXD, FXDL, FXDS CONV
	14273-96	LABEL IGNITION, hole cover (HDI)	FXDWG

## REAR FORK



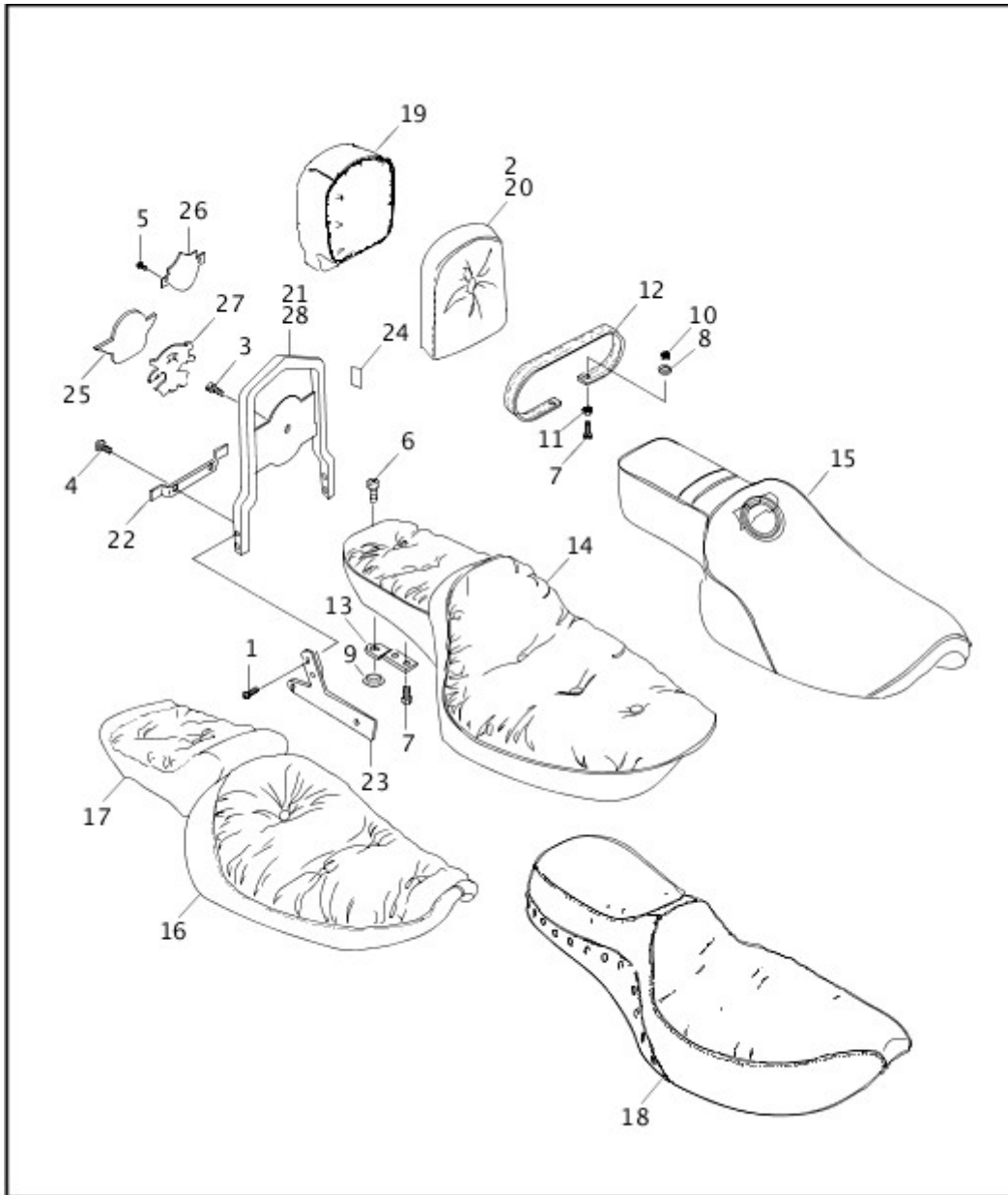
[VIEW INTERACTIVE IMAGE](#)

[View interactive table](#)

INDEX NO.	PART NO.	DESCRIPTION	MODEL(S)
1	534	COTTER PIN	ALL
2	7734W	NUT, flanged, castle	ALL
3	11139	O-RING (2)	ALL
4	41113-90	PLATE (2)	ALL
5	41571-92	BLOCK (2)	ALL
6	41585-90B	DUST SHIELD	ALL
7	45991-92	SCREW (2)	ALL

INDEX NO.	PART NO.	DESCRIPTION	MODEL(S)
8	47082-81	BEARING ASSEMBLY, w/ snap ring	ALL
9	47496-90	SPACER, left	ALL
10	47499-90	SPACER, right	ALL
11	47817-90	PIVOT BOLT	ALL
12	47624-90B	BUSHING	ALL
13	47565-90	WASHER	ALL
14	47820-90A	REAR FORK, w/ bearings	ALL
15	67859-90	PLUG (chrome)	ALL

## SEATS & SISSY BAR



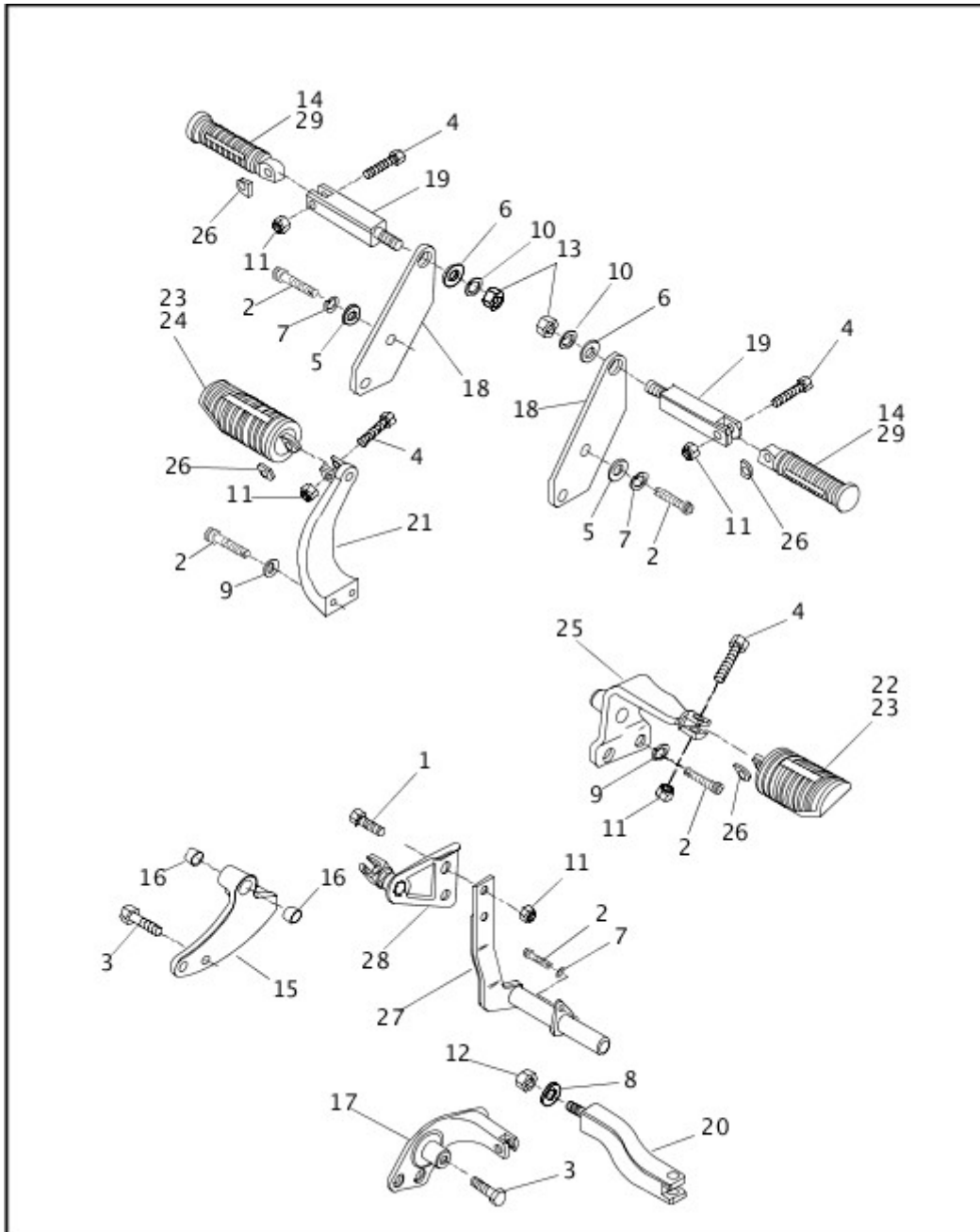
VIEW INTERACTIVE IMAGE

View interactive table

INDEX NO.	PART NO.	DESCRIPTION	MODEL(S)
1	919	SCREW (4)	FXDS CONV, FXDWG
2	1000	SCREW (2)	FXDWG
3	1602	SCREW	FXDS CONV, FXDWG
4	2607	SCREW (2)	FXDS CONV, FXDWG
5	2711	SCREW (2)	FXDS CONV
6	2952A	SCREW, w/ washer	ALL
7	3574	SCREW (3)	ALL
8	6036	WASHER	ALL

INDEX NO.	PART NO.	DESCRIPTION	MODEL(S)
9	7487	WASHER, guide	ALL
10	7792	NUT, w/ washer	ALL
11	7891	NUT, plastic	ALL
12	51176-96B	PASSENGER STRAP	ALL
13	51652-97A	BRACKET, seat	ALL
14	52166-96	SEAT	FXDWG
15	52171-96	SEAT	FXD
16	52174-96	SEAT, front	FXDL
17	52175-96	SEAT, rear	FXDL
18	52183-96	SEAT	FXDS CONV
19	52543-94	BACKREST	FXDS CONV
20	52545-84	BACKREST PAD KIT, w/ 2, 3 & 22	FXDWG
21	52655-84	SISSY BAR, w/ 1 & 24	FXDWG
22	52771-82	BRACKET, backrest	FXDS CONV, FXDWG
23	52780-96B	SIDEPLATE, right	FXDS CONV
	52799-96B	SIDEPLATE, left	FXDS CONV
	52800-93A	SIDEPLATE, right	FXDWG
	52801-93A	SIDEPLATE, left	FXDWG
24	53554-81	LABEL, bolt torque	FXDWG
25	62095-98	CLOISONNE, large (95th anniversary)	FXDS CONV
26	99013-82	MEDALLION, Harley-Davidson Bar & Shield	FXDS CONV
27	99000-77	MEDALLION, Eagle (Made in U. S. A.)	FXDWG
28	52750-82	SISSY BAR KIT (use 52739-83)	FXDS CONV
	52739-83	SISSY BAR KIT, w/ 919 (replaces 52750-82)	FXDS CONV

## FOOTRESTS



VIEW INTERACTIVE IMAGE

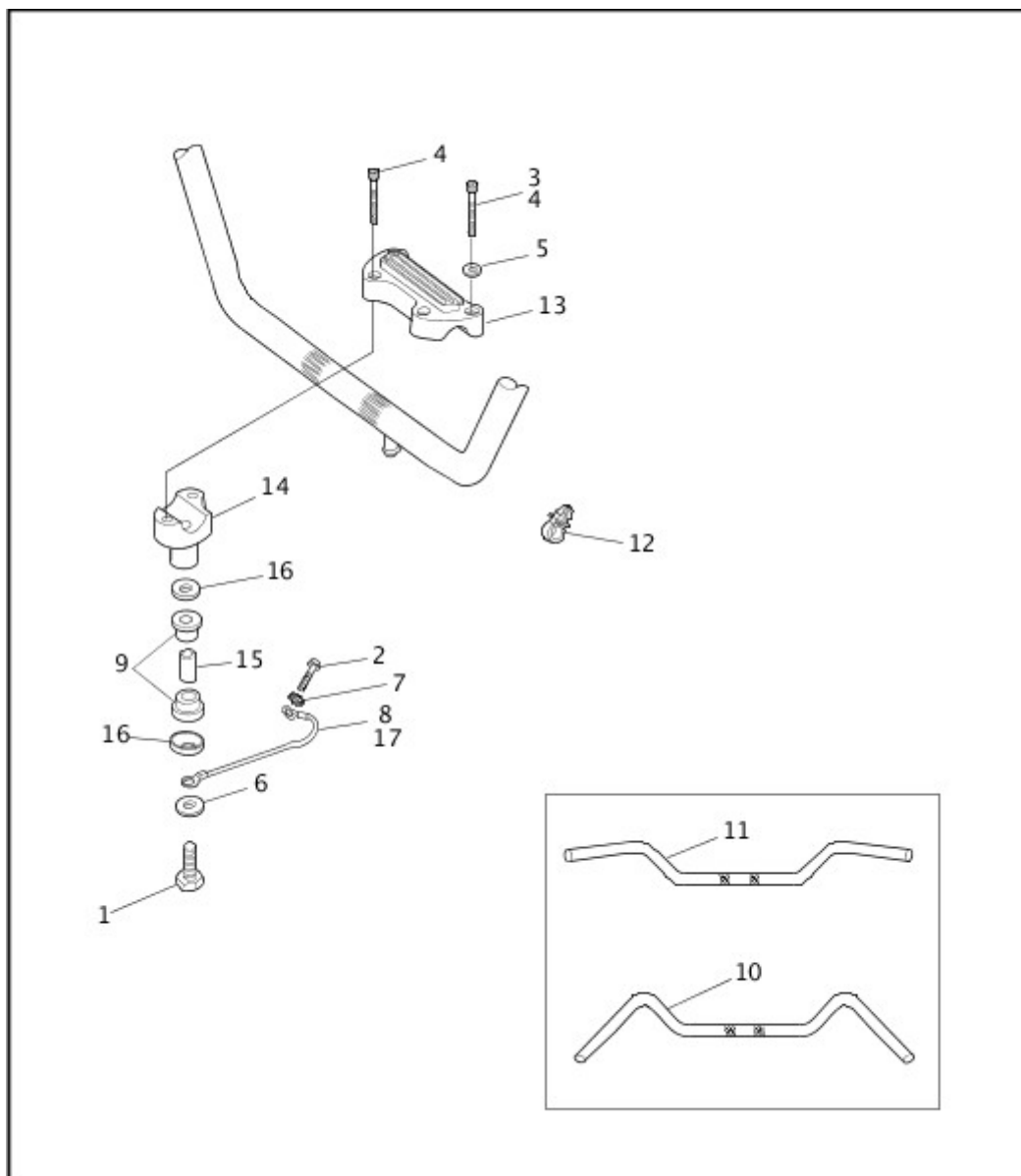
View interactive table

INDEX NO.	PART NO.	DESCRIPTION	MODEL(S)
1	861A	SCREW (2)	ALL
2	3214	SCREW	FXDWG
2	3214	SCREW (9)	FXD, FXDL, FXDS CONV
3	4059	SCREW (4)	FXDWG
4	4721	BOLT (as required)	ALL
5	6701	WASHER (4)	ALL
6	6718	WASHER (2)	FXDL, FXDS CONV



INDEX NO.	PART NO.	DESCRIPTION	MODEL(S)
7	7038	LOCKWASHER (2)	ALL
8	7039	LOCKWASHER	ALL
9	7045	LOCKWASHER (4)	ALL
10	7068	LOCKWASHER (as required)	ALL
11	7778	LOCKNUT (6)	FXD, FXDWG
11	7778	LOCKNUT (8)	FXDL, FXDS CONV
12	7848W	JAMNUT (2)	ALL
13	7880	NUT (2)	FXDL, FXDS CONV
14	33048-72	FOOTREST, w/ 33189-63 (2)	FXDWG
14	33048-72	FOOTREST, w/ 33189-63 (4)	FXD, FXDL, FXDS CONV
15	33693-93	BRACKET, shifter & footrest	FXDWG
16	33708-94	BEARING SLEEVE (2)	FXDWG
17	42481-92	BRACKET, brake lever & footrest	FXDWG
18	49035-03	MOUNTING PLATE (2)	FXDL, FXDS CONV
19	49127-77A	FOOTREST SUPPORT (2)	FXD, FXDL, FXDS CONV
20	49165-90	FOOTREST SUPPORT	ALL
21	50639-90A	BRACKET, left footrest, front	FXD, FXDL, FXDS CONV
22	50643-82	FOOTREST, w/ 50646-82, right	FXDS CONV, FXDWG
22	50643-82	FOOTREST, w/ 50646-82, right (2)	FXD, FXDL
23	50646-82	COVER, only (black) (2)	FXD, FXDWG
23	50646-82	COVER, only (black) (4)	FXDL, FXDS CONV
24	50647-82	FOOTREST, w/ 50646-82, left	FXDS CONV, FXDWG
24	50647-82	FOOTREST, w/ 50646-82, left (2)	FXD, FXDL
25	50649-90	BRACKET, right, footrest, front	FXD, FXDL, FXDS CONV
26	50912-72	SPRING WASHER (as required)	ALL
27	52740-94A	UPRIGHT BRACKET, left	ALL
28	52742-94	SUPPORT, left	ALL
29	33189-63	COVER (black) (2)	FXD, FXDL, FXDS CONV
29	33189-63	COVER (black) (4)	FXDWG

# HANDLEBAR



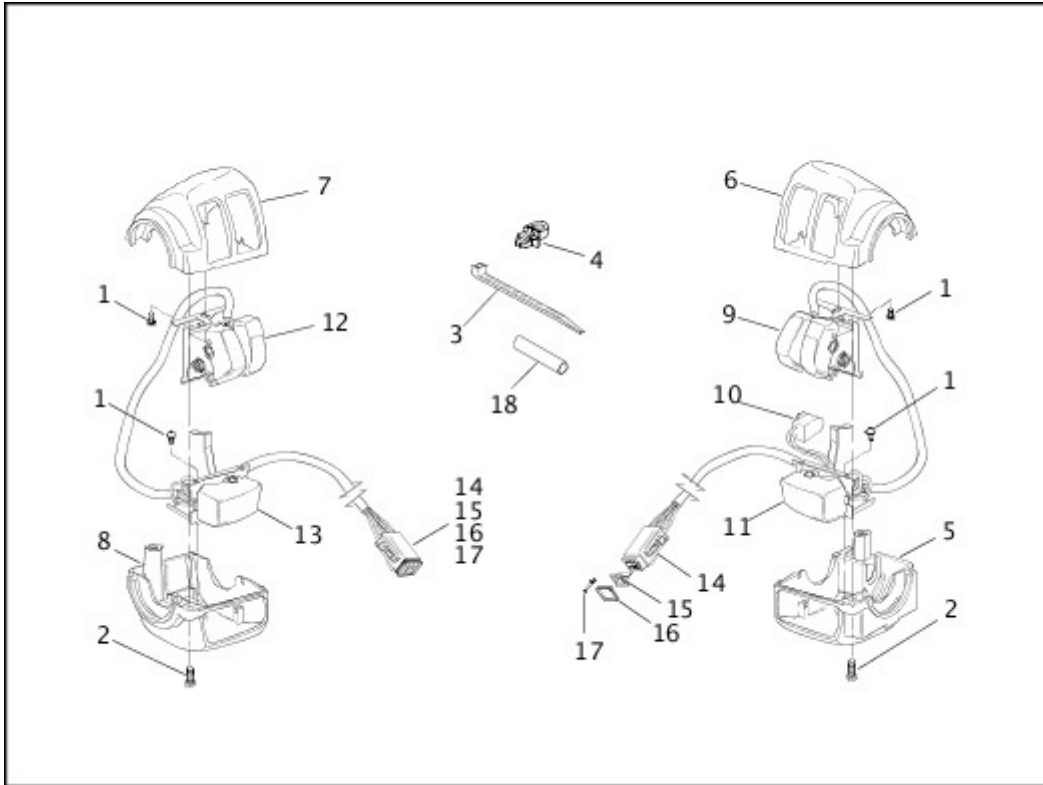
[VIEW INTERACTIVE IMAGE](#)

[View interactive table](#)

INDEX NO.	PART NO.	DESCRIPTION	MODEL(S)
1	3471	BOLT (2)	ALL
2	4240	SCREW	FXD, FXDL, FXDS CONV
3	4326A	SCREW (2)	FXD, FXDS CONV
4	4816A	SCREW (2)	FXD, FXDS CONV
4	4816A	SCREW (4)	FXDL, FXDWG
5	6330	WASHER (2)	FXD, FXDS CONV
6	7068	LOCKWASHER (2)	ALL

INDEX NO.	PART NO.	DESCRIPTION	MODEL(S)
7	7220	LOCKWASHER	FXD, FXDL, FXDS CONV
8	9857	TERMINAL RING	ALL
9	53156-86	BUSHING (rubber) (4)	ALL
10	56079-93	HANDLEBAR, factory ape hanger	FXDWG
11	56081-82A	HANDLEBAR	FXD, FXDL, FXDS CONV
12	56073-83	RETAINER (4)	FXDS CONV
13	56115-95	CLAMP, upper	FXD, FXDS CONV
	56119-77A	CLAMP, upper	FXDL
	56567-86B	CLAMP, upper (chrome)	FXDWG
14	56116-82A	CLAMP, lower (left)	FXDS CONV
14	56116-82A	CLAMP, lower (right)	FXD, FXDL
14	56117-82A	CLAMP, lower (right)	FXDS CONV
14	56117-82A	CLAMP, lower (left)	FXD, FXDL
14	56541-86A	CLAMP, lower left (chrome)	FXDWG
14	56542-86A	CLAMP, lower right (chrome)	FXDWG
15	56153-73	SPACER (2)	ALL
16	56159-73	CUP WASHER (4)	ALL
17	70191-73A	CABLE, ground, w/ 9857 right side	ALL

## HANDLEBAR SWITCHES



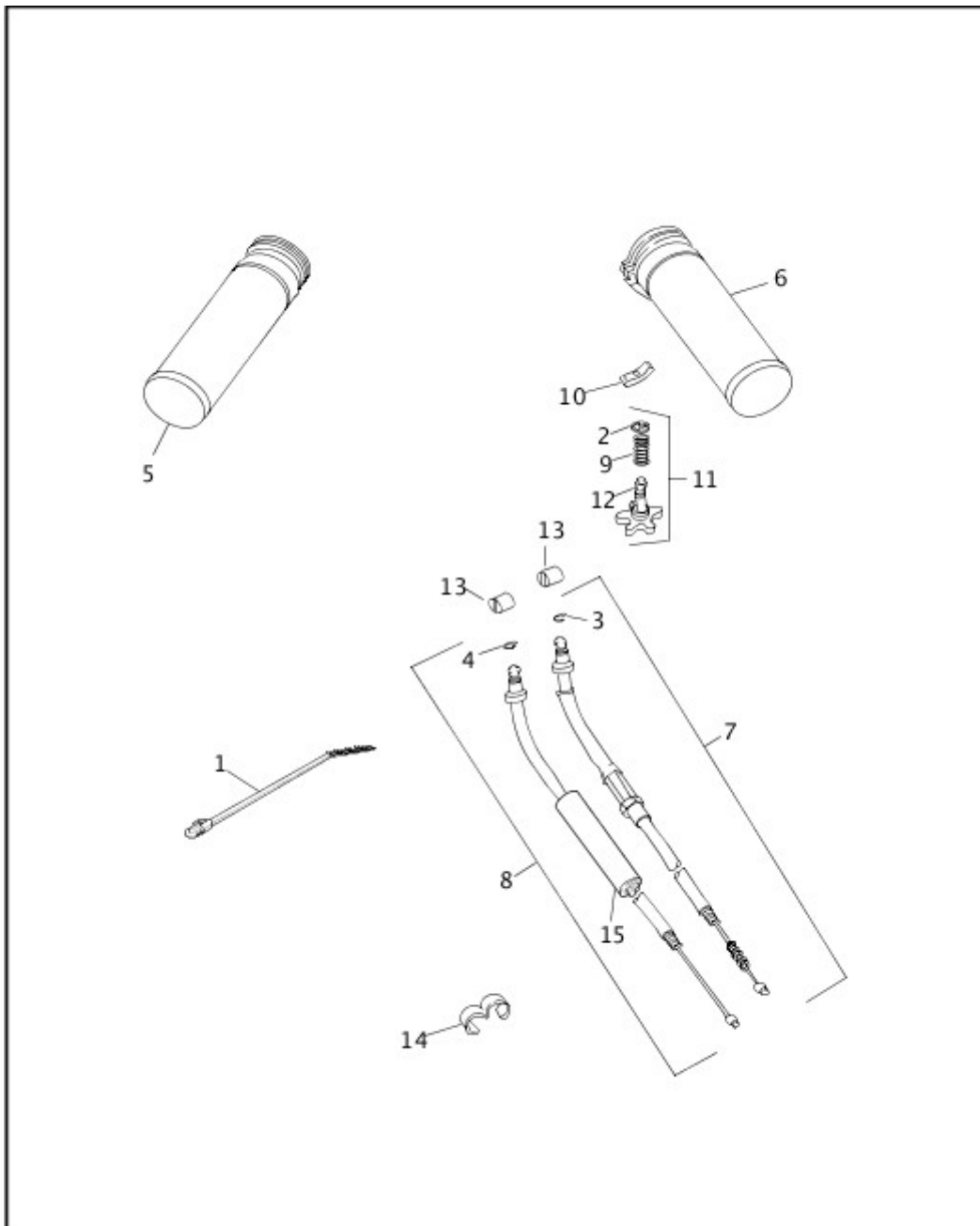
VIEW INTERACTIVE IMAGE

View interactive table

INDEX NO.	PART NO.	DESCRIPTION	MODEL(S)
1	2955	SCREW (4)	ALL
2	3658	SCREW (4)	ALL
3	10181	CABLE STRAP (as required)	ALL
4	70345-84	RETAINER (4)	FXD, FXDL, FXDWG
5	71563-96	HOUSING, lower, right	ALL
6	71564-96	HOUSING, upper, right	ALL
7	71567-96	HOUSING, upper, left	ALL
8	71568-96A	HOUSING, lower, left	ALL
9	71684-06A	SWITCH KIT, engine stop/start, w/ 3 & 18	ALL
10	71621-08	SWITCH KIT, stop lamp, w/ 3 & 18	ALL
11	71591-96A	SWITCH ASSEMBLY, right turn signal, w/ 3 & 18	ALL
12	71682-06A	SWITCH ASSEMBLY, dimmer & horn, w/ 3 & 18	ALL
13	71598-96A	SWITCH ASSEMBLY, left turn signal, w/ 3 & 18	ALL
14	72116-94BK	PLUG, 6-way socket, right (black) (replaces 72136-94GY)	ALL

INDEX NO.	PART NO.	DESCRIPTION	MODEL(S)
	72136-94GY	PLUG, 6-way socket, left (gray) (use 72116-94BK)	ALL
15	72156-94	SOCKET LOCK, secondary, 6-way (2)	ALL
16	72176-94	FRONT SEAL, 6-way plug (2)	ALL
17	72191-94	TERMINAL, socket (as required)	ALL
18	72266-94	HEAT SHRINK TUBE, dual wall, 0.3 x 2 inch (as required)	ALL

## THROTTLE CONTROL

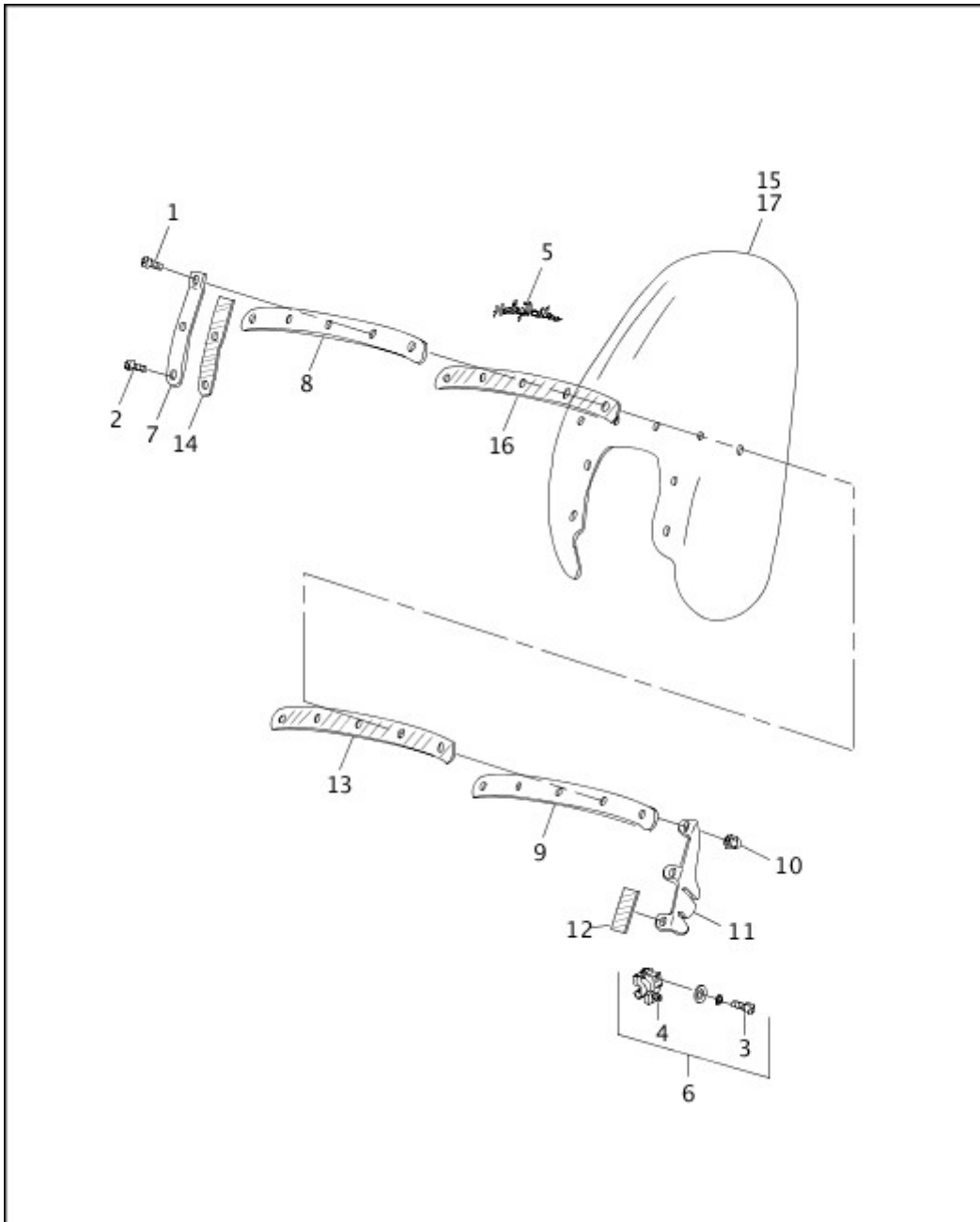


VIEW INTERACTIVE IMAGE

View interactive table

INDEX NO.	PART NO.	DESCRIPTION	MODEL(S)
1	10073	CABLE STRAP, throttle cables (3)	ALL
2	11155	RETAINING RING	ALL
3	11271	RETAINING RING, idle control	ALL
4	11272	RETAINING RING, throttle control	ALL
5	56206-96	GRIP, left	ALL
6	56220-94A	GRIP & SLEEVE, throttle, right	ALL
7	56355-96A	IDLE CONTROL ASSEMBLY, w/ 11272 & 38653-01	ALL
8	56356-96A	THROTTLE CONTROL ASSEMBLY, w/ 11272 & 38653-01	ALL
9	56394-74	SPRING, adjusting screw	ALL
10	56396-74A	FRICTION SPRING, throttle	ALL
11	56397-74C	ADJUSTING SCREW KIT, w/ 11155, 56394-74 & 56402-83A	ALL
12	56402-83A	ADJUSTING SCREW	ALL
13	56508-76	FERRULE, control wire (2)	ALL
14	70504-81	CLIP, throttle cables	ALL
15	38653-01	BOOT, throttle cables (2)	ALL

## WINDSHIELD - FXDS-CON



VIEW INTERACTIVE IMAGE

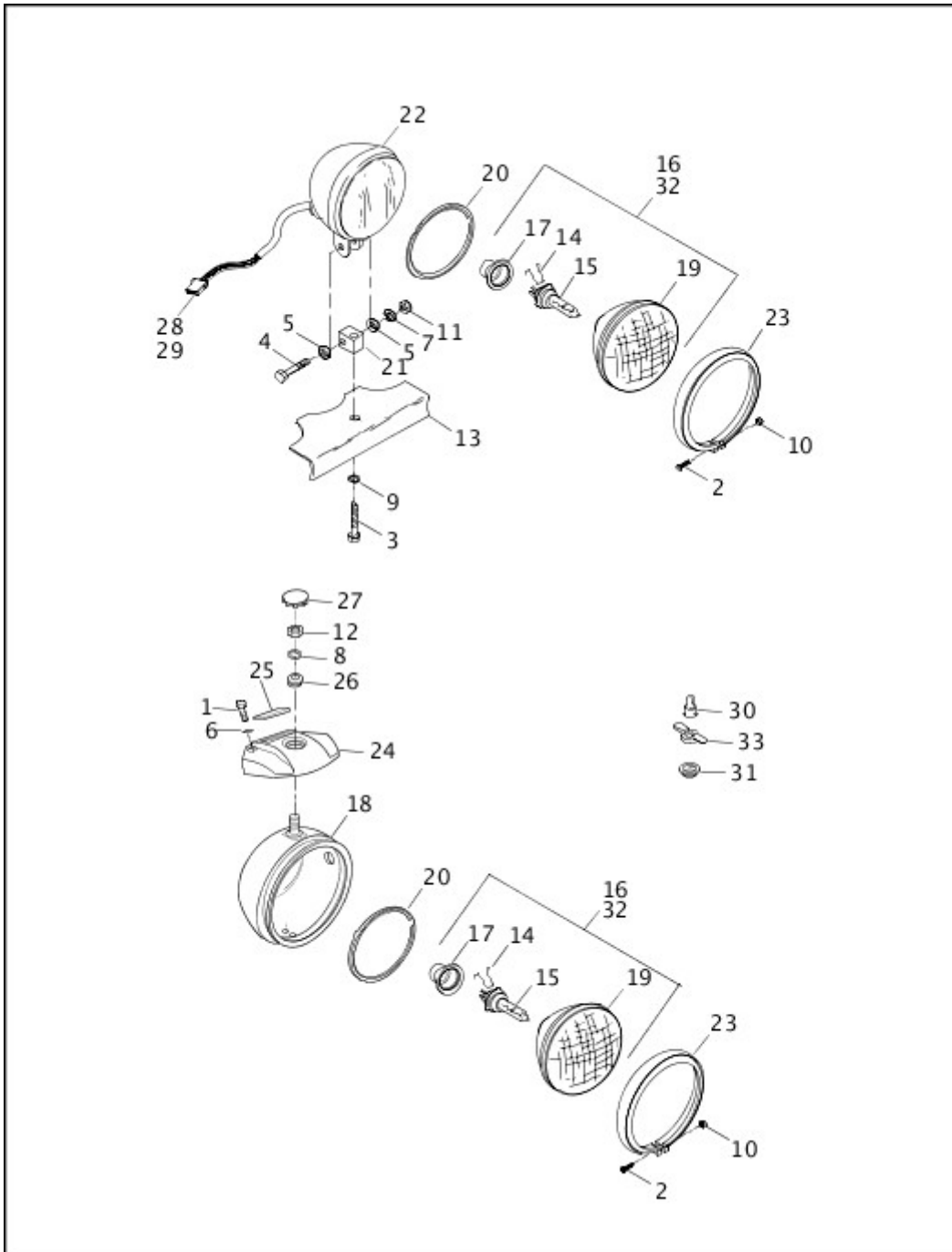
View interactive table

INDEX NO.	PART NO.	DESCRIPTION	MODEL(S)
1	1005A	BOLT, shoulder (7)	FXDS CONV
2	2152A	SCREW, shoulder (2)	FXDS CONV
3	4363	SCREW (4)	FXDS CONV
4	4364	SCREW (4)	FXDS CONV
5	14227-88	DECAL, "Harley-Davidson"	FXDS CONV
6	58109-88B	WINDSHIELD CLAMP (4)	FXDS CONV
7	58419-88	BRACE, right (chrome)	FXDS CONV

INDEX NO.	PART NO.	DESCRIPTION	MODEL(S)
	58420-88	BRACE, left (chrome)	FXDS CONV
8	58421-88	BRACE, outer (chrome)	FXDS CONV
9	58422-88	BRACE, inner	FXDS CONV
10	58423-88	ACORN NUT (9)	FXDS CONV
11	58424-88	MOUNTING BRACKET, right	FXDS CONV
	58425-88	MOUNTING BRACKET, left	FXDS CONV
12	58426-88	CUSHION TAPE (cut to length)	FXDS CONV
13	58446-96	CUSHION TAPE, inner horizontal	FXDS CONV
14	58447-96	CUSHION TAPE, right vertical	FXDS CONV
	58448-96	CUSHION TAPE, left vertical	FXDS CONV
15	91849-85C	WINDSHIELD, complete	FXDS CONV
<b>INTERNATIONAL MODELS ONLY</b>			
16	58449-96	CUSHION TAPE, outer horizontal (HDI)	FXDS CONV
17	91929-97	WINDSHIELD, complete (HDI)	FXDS CONV

## HEADLAMP





VIEW INTERACTIVE IMAGE

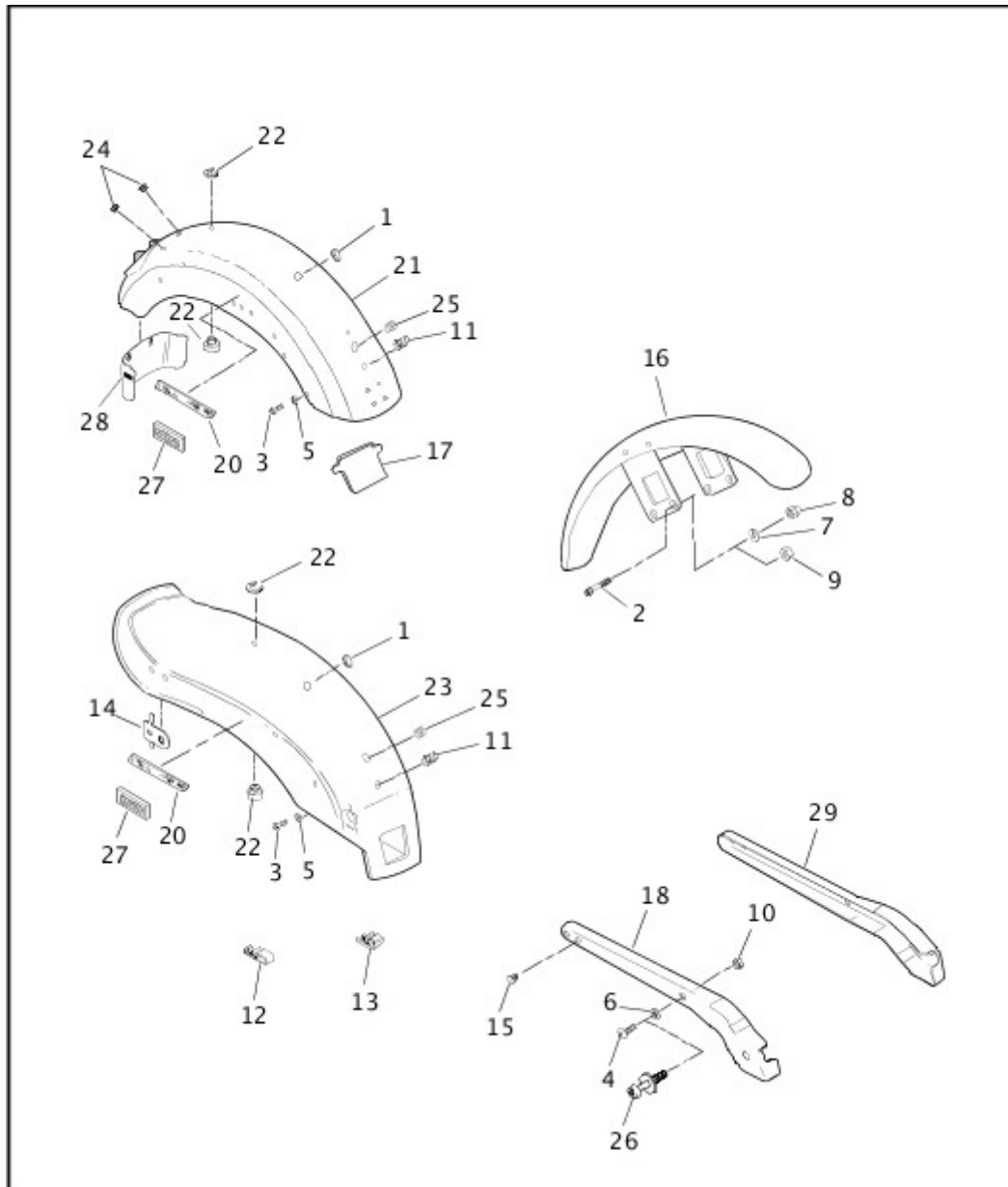
View interactive table

INDEX NO.	PART NO.	DESCRIPTION	MODEL(S)
1	2708A	SCREW (2)	FXD, FXDL
2	3514	SCREW	ALL
3	4722	BOLT	FXDWG
4	4724	BOLT	FXDWG
5	6701	WASHER (2)	FXDWG
6	6702	WASHER (2)	FXD, FXDL, FXDS CONV

INDEX NO.	PART NO.	DESCRIPTION	MODEL(S)
7	7038	LOCKWASHER	FXDWG
8	7068	LOCKWASHER	FXD, FXDL, FXDS CONV
9	7130W	LOCKWASHER	FXDWG
10	7606	LOCKNUT	ALL
11	7800W	NUT	FXDWG
12	7880	NUT	FXD, FXDL, FXDS CONV
13	45685-93	MOUNTING PLATE	FXDWG
14	67685-92	CLIP, bulb	ALL
15	68329-03	BULB, Halogen-H-4	ALL
16	67698-81D	LENS ASSEMBLY, w/ bulb, boot & clip, 5-3/4 inch	ALL
17	67705-92	BOOT, connector	ALL
18	67730-91	HOUSING, headlamp (black)	FXD, FXDL, FXDS CONV
	67733-91A	HOUSING, headlamp (chrome)	FXD, FXDL, FXDS CONV
19	67757-92	LENS, w/ clip	ALL
20	67769-93	MOUNTING RING	ALL
21	67772-97	MOUNTING BLOCK	FXDWG
22	67777-80A	HEADLAMP ASSEMBLY, w/ housing & wiring, 5-3/4 inch	FXDWG
23	67790-93A	TRIM RING (chrome)	ALL
24	67805-92	BRACKET	FXD, FXDL, FXDS CONV
25	67807-92	TRIM, headlamp bracket	FXDL
	67834-83	TRIM, headlamp bracket	FXD, FXDS CONV
26	67815-59A	WASHER	FXD, FXDL, FXDS CONV
27	67865-89	PLUG, headlamp bracket	FXD, FXDL, FXDS CONV
28	73154-96BK	SOCKET HOUSING, 4-place	ALL
29	73191-96	CONTACT SOCKET, 16-20 gauge (3)	ALL
<b>INTERNATIONAL MODELS ONLY</b>			
30	53438-92	BULB, position lamp (HDI)	ALL
31	67691-92	GROMMET, position lamp (HDI)	ALL
32	67763-92A	LENS ASSEMBLY, w/ bulb & boot, R.H. dip (HDI)	ALL
	67781-92A	LENS ASSEMBLY, w/ bulb & boot, L.H. dip (HDI)	ALL

INDEX NO.	PART NO.	DESCRIPTION	MODEL(S)
33	68650-92	SOCKET, position lamp (HDI)	ALL

## FRONT & REAR FENDER & REAR FENDER COVERS



[VIEW INTERACTIVE IMAGE](#)

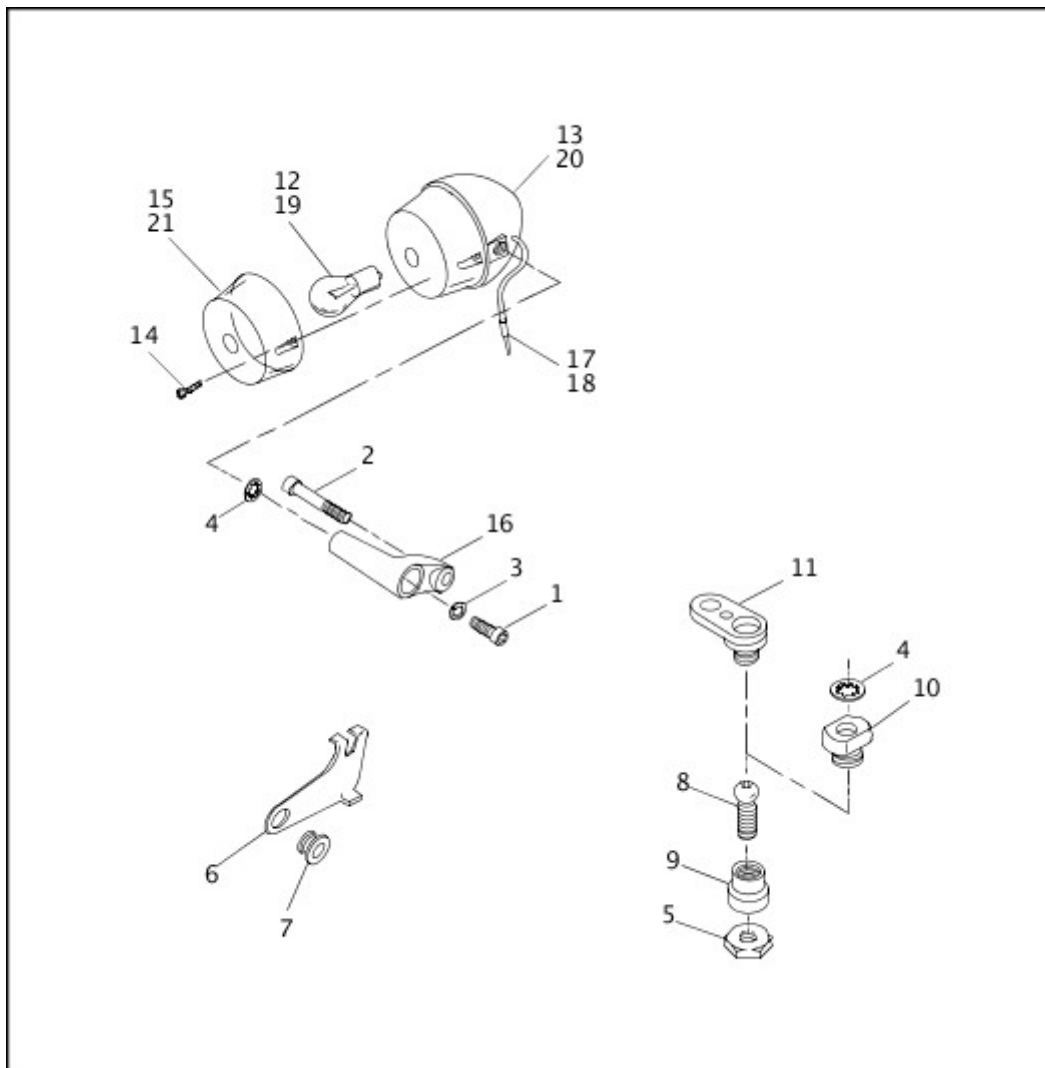
[View interactive table](#)

INDEX NO.	PART NO.	DESCRIPTION	MODEL(S)
<b>NOTE: Refer to Painted Parts Book for painted part numbers.</b>			
1	761	PLUG (black)	ALL
2	3210A	SCREW (4)	FXD, FXDL, FXDS CONV

INDEX NO.	PART NO.	DESCRIPTION	MODEL(S)
	3485A	SCREW (4)	FXDWG
3	3445	BOLT	ALL
4	4098	SCREW (2)	FXD, FXDL, FXDWG
5	6016	WASHER	ALL
6	6379W	WASHER (2)	ALL
7	6702	WASHER (4)	FXDWG
8	7507	ACORN NUT (4)	FXDWG
9	7531	LOCKNUT (4)	FXD, FXDL, FXDS CONV
10	7667	NUT (2)	FXD, FXDL, FXDS CONV
11	8102	SPEEDNUT	ALL
12	10183	CLIP (5)	FXDWG
12	10183	CLIP (6)	FXD, FXDL, FXDS CONV
13	10184	CLIP (2)	ALL
14	10188	BRACKET, wire retention (2)	FXD, FXDL, FXDWG
15	56239-93	HOLE PLUG (2)	FXDS CONV
16	58998-83E	FENDER (prime) (front)	FXD, FXDL, FXDS CONV
	59924-80B	FENDER (prime) (front)	FXDWG
17	59150-90	PLUG, fender	ALL
18	59138-96	COVER, right	FXD, FXDL, FXDS CONV
	59893-96	COVER, right	FXDWG
19	59171-96	COVER, left	FXD, FXDL, FXDS CONV
	60007-96	COVER, left	FXDWG
20	59287-92	REFLECTOR, right (red)	ALL
	59288-92	REFLECTOR, left (red)	ALL
21	59750-97	FENDER (prime) (rear)	FXD, FXDL
	59751-97	FENDER (prime) (rear)	FXDS CONV
22	59768-97	FENDER SEAT NUT ASSEMBLY KIT	ALL
23	59752-97	FENDER (prime) (rear)	FXDWG
24	67055-92	GROMMET, turn signal (2)	FXDS CONV
25	67266-94	GROMMET, turn signal	FXD, FXDL, FXDWG

INDEX NO.	PART NO.	DESCRIPTION	MODEL(S)
25	67266-94	GROMMET, turn signal (2)	FXDS CONV
26	90365-96	STUD (4)	FXDS CONV
<b>INTERNATIONAL MODELS ONLY</b>			
27	59259-90	REFLECTOR, red	ALL
28	59669-97	REAR FENDER EXTENSION (HDI)	FXD, FXDL, FXDS CONV
29	59289-92	REFLECTOR, right (amber)	ALL
	59290-92	REFLECTOR, left (amber)	ALL
30	59251-90	REFLECTOR ASSEMBLY, rear (red), w/ 59259-90 (not illustrated)	FXD, FXDL, FXDS CONV

## FRONT TURN SIGNALS

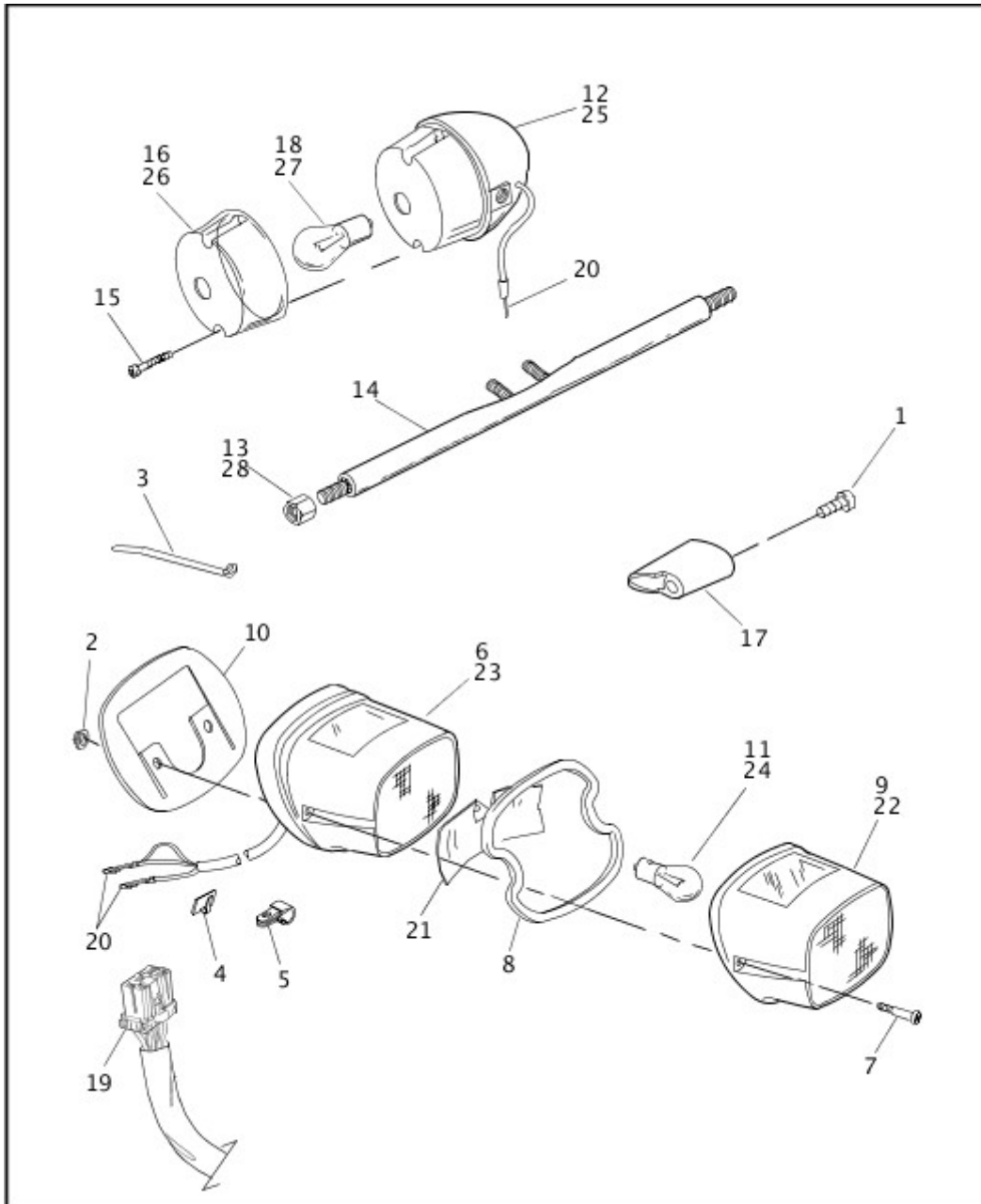


[VIEW INTERACTIVE IMAGE](#)

[View interactive table](#)

INDEX NO.	PART NO.	DESCRIPTION	MODEL(S)
1	2698A	SCREW (2)	FXDS CONV
2	4047	SCREW (2)	FXDS CONV
3	7042	LOCKWASHER (2)	FXDS CONV
4	7127	LOCKWASHER (3)	ALL
5	7744	JAMNUT (2)	FXD, FXDL, FXDWG
6	45096-95A	GUIDE, turn signal cables	FXDS CONV
7	67266-94	GROMMET	FXDS CONV
8	67822-88	BALL STUD (2)	FXD, FXDL, FXDWG
9	67827-88A	CLAMP, ball stud (2)	FXD, FXDL, FXDWG
10	67828-88A	RETAINER, right	FXD, FXDL, FXDWG
11	67829-88	BALL RECEPTACLE, left	FXD, FXDL, FXDWG
12	68168-89A	BULB, front turn signals (2)	ALL
13	68709-94	LAMP, w/ wire, front (2)	ALL
14	68452-86	SCREW, turn signal lens (4)	ALL
15	68457-86	LENS, turn signal (amber) (2)	ALL
16	68555-87	SUPPORT, front turn signal (2)	FXDS CONV
17	73191-96	SOCKET CONTACT, 16-20 gauge (2)	ALL
18	73156-96BK	SOCKET HOUSING, 6-place	ALL
<b>INTERNATIONAL MODELS ONLY</b>			
19	68572-64B	BULB (HDI) (2)	ALL
20	68710-94	LAMP, w/ wire, front (HDI) (2)	ALL
21	68566-90	LENS, turn signal (amber) (HDI) (2)	ALL

## TAIL LAMP & REAR TURN SIGNALS



VIEW INTERACTIVE IMAGE

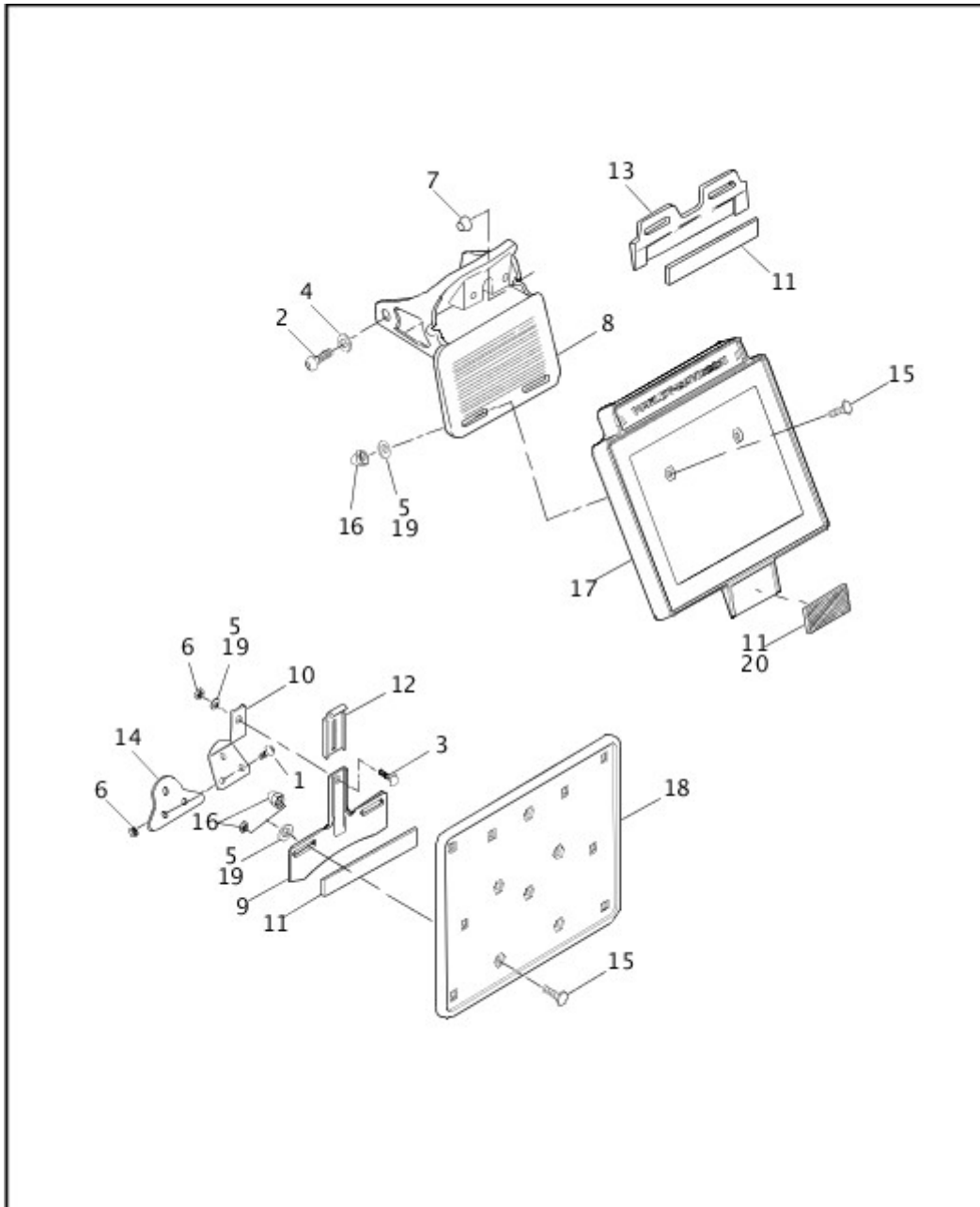
View interactive table

INDEX NO.	PART NO.	DESCRIPTION	MODEL(S)
1	4083W	SCREW (2)	FXD, FXDL, FXDWG
2	7501	SPEED NUT (2)	ALL
3	10006	CABLE STRAP (7)	ALL
	10065	CABLE STRAP	ALL
4	10102	CLIP	FXD, FXDL, FXDWG
5	67075-57A	CLIP	FXDWG
6	68048-93B	TAIL LAMP ASSEMBLY	ALL

INDEX NO.	PART NO.	DESCRIPTION	MODEL(S)
7	68026-73	SCREW, tail lamp (2)	ALL
8	68027-90	GASKET, tail lamp lens	ALL
9	68033-90	LENS, tail lamp (red)	ALL
10	68123-73	GASKET, tail lamp housing	FXD, FXDL, FXDS CONV
11	68168-89A	BULB, tail lamp	ALL
12	68760-94	LAMP, w/ wire, rear (amber) (2)	FXD, FXDL, FXDWG
	68802-95	LAMP, w/ wire, rear (amber) (2)	FXDS CONV
13	68424-89	NUT (2)	FXDS CONV
14	68430-89A	TURN SIGNAL BAR	FXDS CONV
15	68452-86	SCREW (4)	ALL
16	68457-86	LENS, turn signal	ALL
17	68480-93A	SUPPORT, rear lamp mounting (2)	FXD, FXDL, FXDWG
18	68572-64B	BULB, rear turn signal (2)	ALL
19	73158-96BK	SOCKET HOUSING (8)	ALL
20	73191-96	CONTACT SOCKET, 16-20 gauge (5)	ALL
<b>INTERNATIONAL MODELS ONLY</b>			
21	68036-91	REFLECTOR, tail lamp (HDI)	ALL
22	68032-90	LENS, tail lamp (red) (HDI)	ALL
23	68049-93B	TAIL LAMP ASSEMBLY (HDI)	ALL
24	68169-90A	BULB, tail lamp (HDI)	ALL
25	68763-94	LAMP, w/ wire, rear (amber) (HDI) (2)	FXD, FXDL, FXDWG
	68802-95	LAMP, w/ wire, rear (amber) (HDI) (2)	FXDS CONV
26	68507-90	LENS, turn signal (amber) (HDI) (2)	ALL
27	68163-84	BULB, rear turn signal (HDI)	ALL
28	68424-89	NUT (2)	FXDS CONV

## LICENSE PLATE BRACKETS





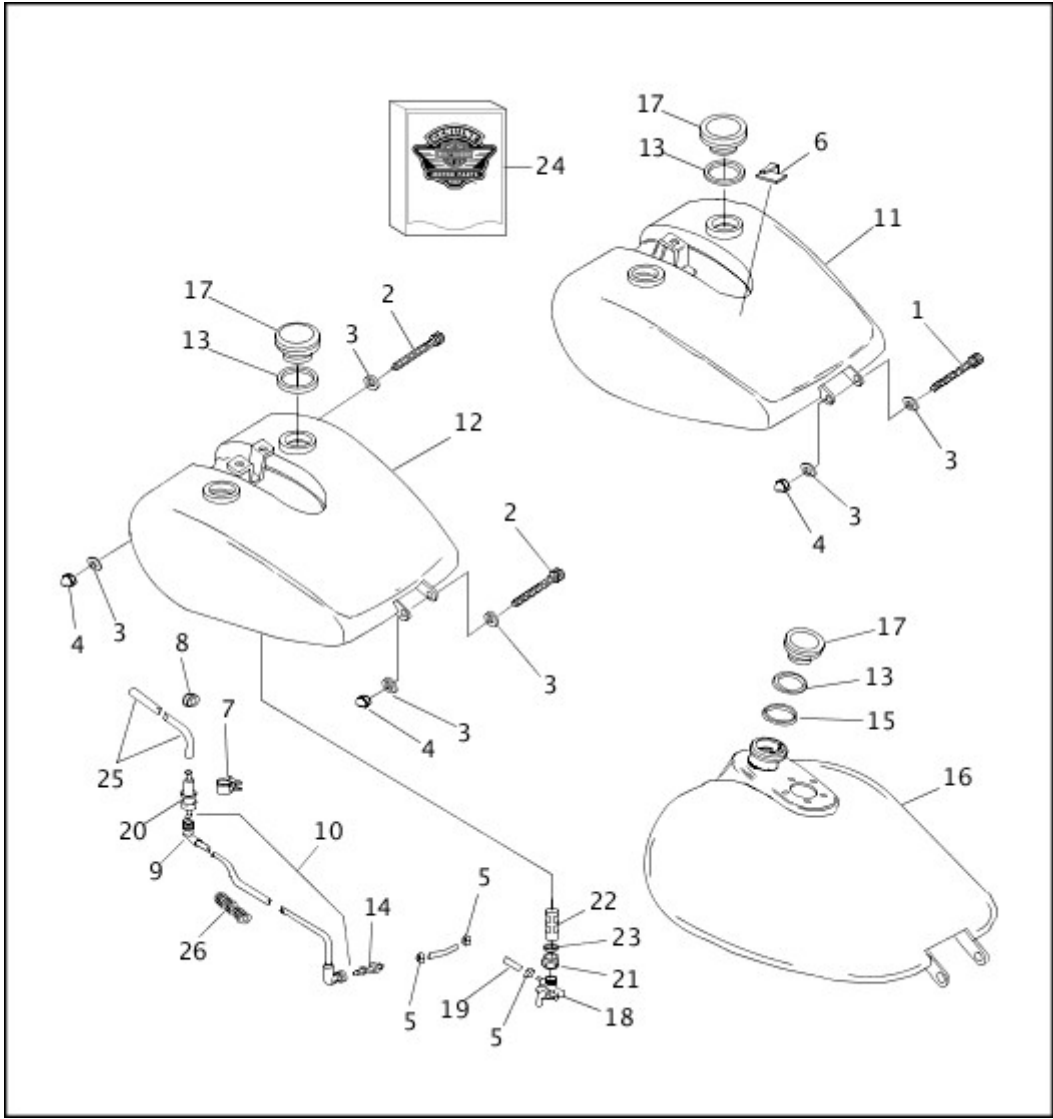
VIEW INTERACTIVE IMAGE

View interactive table

INDEX NO.	PART NO.	DESCRIPTION	MODEL(S)
1	2773	SCREW (3)	FXD, FXDL, FXDS CONV
2	4098	SCREW (2)	FXDWG
3	5403B	BOLT	FXD, FXDL, FXDS CONV
4	6379W	WASHER (2)	FXDWG
5	6703	WASHER	FXD, FXDL, FXDS CONV
6	7792	NUT (4)	FXD, FXDL, FXDS CONV
7	7869	PUSH CAP (2)	FXDWG

INDEX NO.	PART NO.	DESCRIPTION	MODEL(S)
8	59979-93	LICENSE PLATE BRACKET ASSEMBLY	FXDWG
9	59984-73	BRACKET	FXD, FXDL, FXDS CONV
10	59986-75	SUPPORT	FXD, FXDL, FXDS CONV
11	59988-72A	REFLECTOR	ALL
12	60001-55	CLAMP	FXD, FXDL, FXDS CONV
13	60019-93A	REFLECTOR BRACKET	FXDWG
14	68456-89	PAD, rear directional mounting	FXDS CONV
<b>INTERNATIONAL MODELS ONLY</b>			
15	3689	BOLT, license plate (HDI) (2)	FXDWG
15	3689	BOLT, license plate (HDI) (3)	FXD, FXDL, FXDS CONV
16	31589-80	NUT ACORN (HDI) (3)	FXD, FXDL, FXDS CONV
17	59994-93A	LICENSE PLATE BRACKET (HDI)	FXDWG
18	60026-97	LICENSE PLATE BRACKET (HDI)	FXD, FXDL, FXDS CONV
19	6703	WASHER (HDI)	FXDWG
19	6703	WASHER (HDI) (3)	FXD, FXDL, FXDS CONV
	6253W	WASHER (2)	FXDWG
	7792	NUT (HDI) (2)	FXDWG
20	59259-90	REFLECTOR, rear (red) (HDI)	FXDWG
21	59251-90	REFLECTOR ASSEMBLY (red) (HDI) w/ 59259-90 (not illustrated)	FXD, FXDL, FXDS CONV

## FUEL TANKS



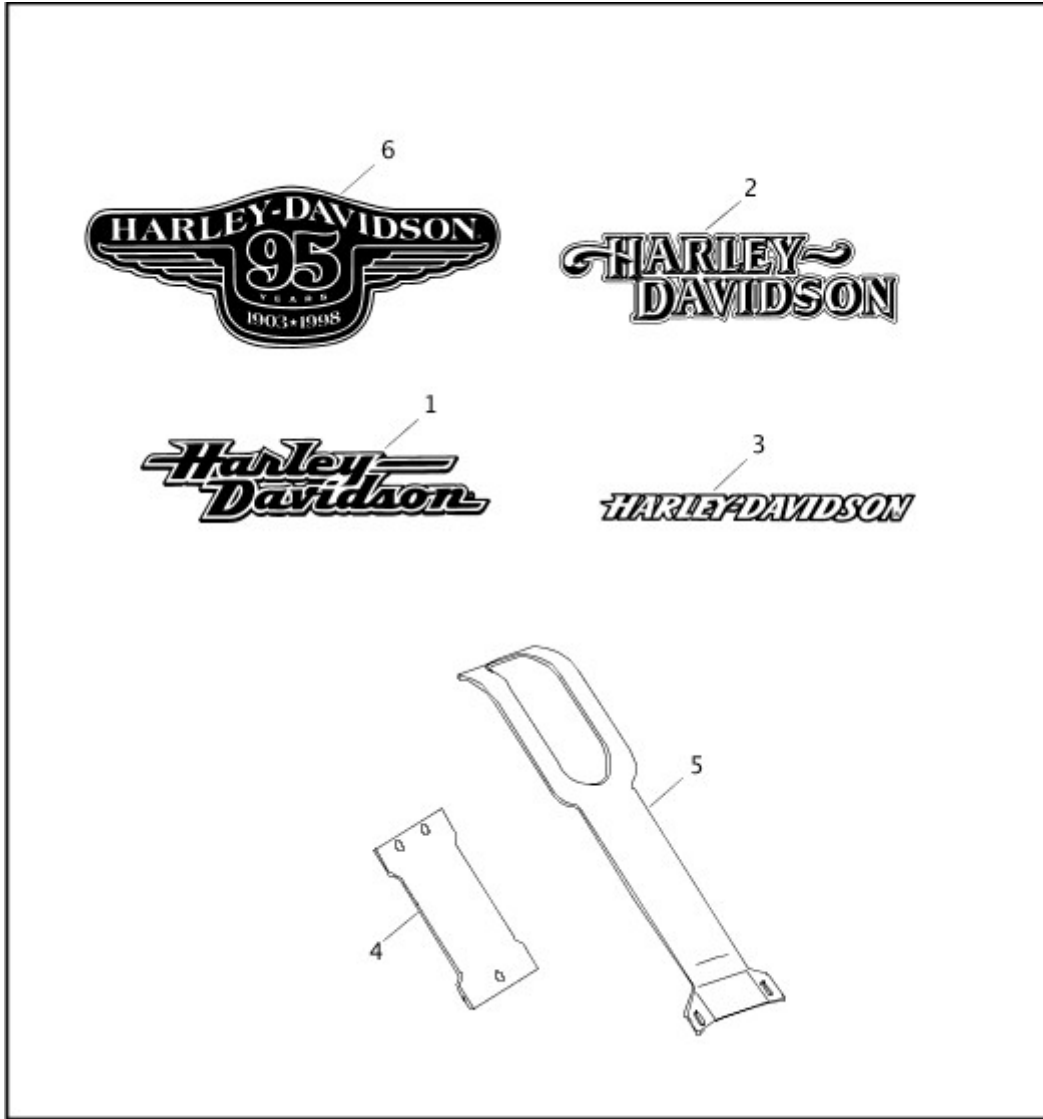
VIEW INTERACTIVE IMAGE

[View interactive table](#)

INDEX NO.	PART NO.	DESCRIPTION	MODEL(S)
<b>NOTE: Refer to Painted Parts Book for painted part numbers.</b>			
1	3427	BOLT	FXDWG
2	3530	SCREW	FXDWG
2	3530	SCREW (2)	FXD, FXDL, FXDS CONV
3	6116	WASHER (4)	ALL
4	7507	ACORN NUT (2)	ALL
5	10014	CLAMP (4)	ALL
6	10102	CLIP (2)	FXDWG
7	10108	CLIP, vapor valve	ALL

INDEX NO.	PART NO.	DESCRIPTION	MODEL(S)
8	11460	GROMMET, fuel hose	FXDL, FXDS CONV, FXDWG
9	27250-96B	CONNECTOR, 90 degree elbow	ALL
10	27296-96	TUBE, valve to atmosphere, w/ 27250-96	ALL
11	61039-96	FUEL TANK (prime)	FXDWG
12	61054-96	FUEL TANK (prime)	FXDL
13	61109-85D	GASKET, filler cap	ALL
14	61131-92	CONNECTOR, vent line	ALL
15	62021-96	BOOT, filler tube	FXD, FXDS CONV
16	61267-97	FUEL TANK (prime)	FXD, FXDS CONV
17	61272-92C	FILLER CAP, vacuum vent	ALL
18	61338-94B	VALVE, body (use 61338-94D)	ALL
	61338-94D	VALVE, body, w/ 61338-02, 62161-02, 62170-02 & 62172-02 (replaces 61338-94B)	ALL
19	61911-95	HOSE, valve to carburetor	ALL
20	62150-85	VAPOR VALVE	ALL
21	62161-02	NUT	ALL
22	62170-02	FILTER (used w/ 61338-94D)	ALL
	62170-81B	FILTER (used w/ 61338-94B)	ALL
23	62172-02	GASKET, fuel filter	ALL
24	61450-95	FUEL FILLER RESTRICTOR KIT (Required w/ catalytic mufflers)	ALL
<b>NOTE: Hose or insulator is sold in bulk length under the following part numbers. Cut to length.</b>			
25	27138-90	HOSE, 3/16 inch I.D. x 11/32 inch O.D. (rubber) (10 feet)	ALL
	63501-68B	HOSE, 1/4 inch I.D. x 5/8 inch O.D. (rubber) (25 feet)	ALL
26	62555-95	INSULATOR, 1/2 inch I.D. (nylon) (8 feet)	ALL

## FUEL TANK TRIM



VIEW INTERACTIVE IMAGE

[View interactive table](#)

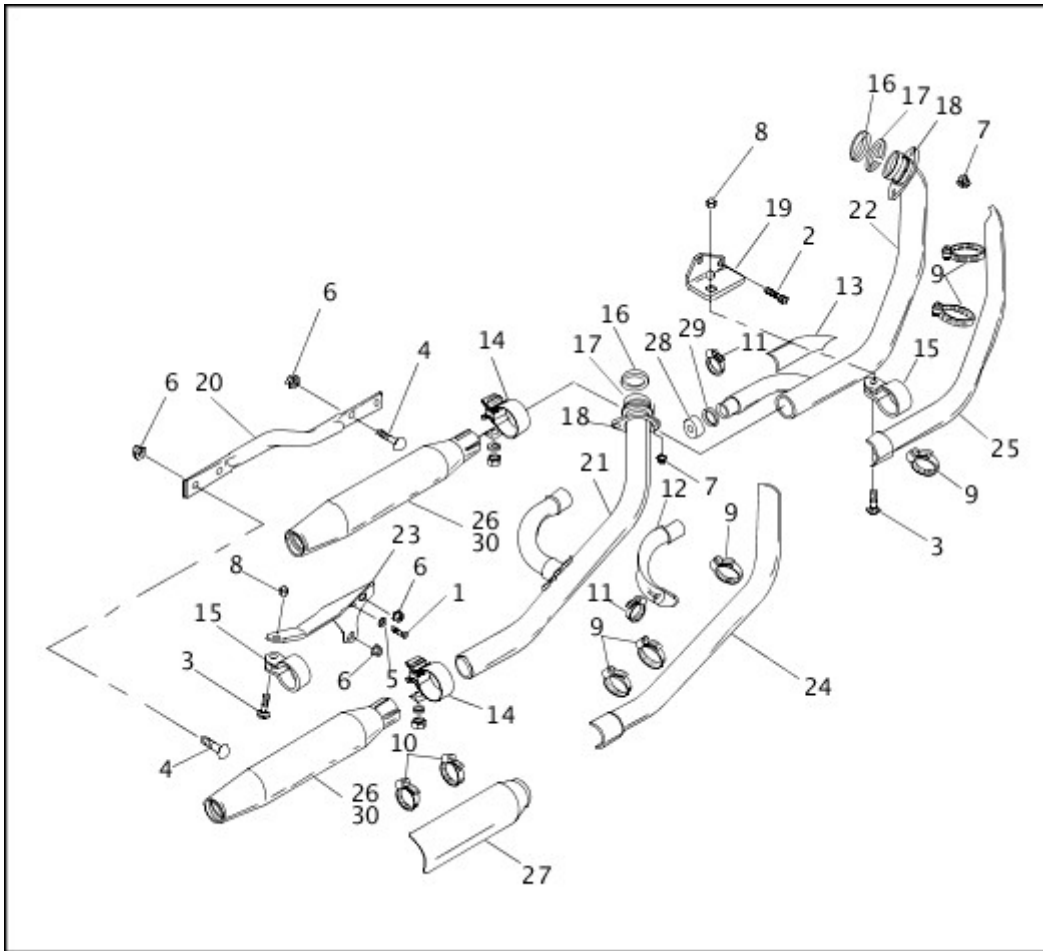
INDEX NO.	PART NO.	DESCRIPTION	MODEL(S)
1	14289-94	DECAL (vivid black/lazer red pearl/cobalt pearl) (2)	FXD
	14293-94	DECAL (sinister blue pearl) (2)	FXD
2	14522-96	DECAL (vivid black/lazer red pearl/cobalt pearl vivid pearl/aztec orange pearl/lazer red pearl) (2)	FXDL, FXDS CONV
	14523-96	DECAL (sinister blue pearl) (2)	FXDL, FXDS CONV
3	14524-96	DECAL (vivid black/lazer red pearl/violet pearl cobalt pearl/lazer red pearl) (2)	FXDWG
	14525-96	DECAL (sinister blue pearl) (2)	FXDWG
4	61166-93A	TRIM PANEL	FXDWG

Note: The "flame" portion of the Dyna Wide Glide tank decal is a silkscreen which is not sold separately.

INDEX NO.	PART NO.	DESCRIPTION	MODEL(S)
5	61244-02	TRIM PANEL	FXDL
6	62065-98	EMBLEM, fuel tank (LH) (midnight red) 95th anniversary **RESTRICTED SALES PART**	FXDWG
	62066-98	EMBLEM, fuel tank (RH) (midnight red) 95th anniversary **RESTRICTED SALES PART**	FXDWG

Note: The "flame" portion of the Dyna Wide Glide tank decal is a silkscreen which is not sold separately.

## EXHAUST SYSTEM



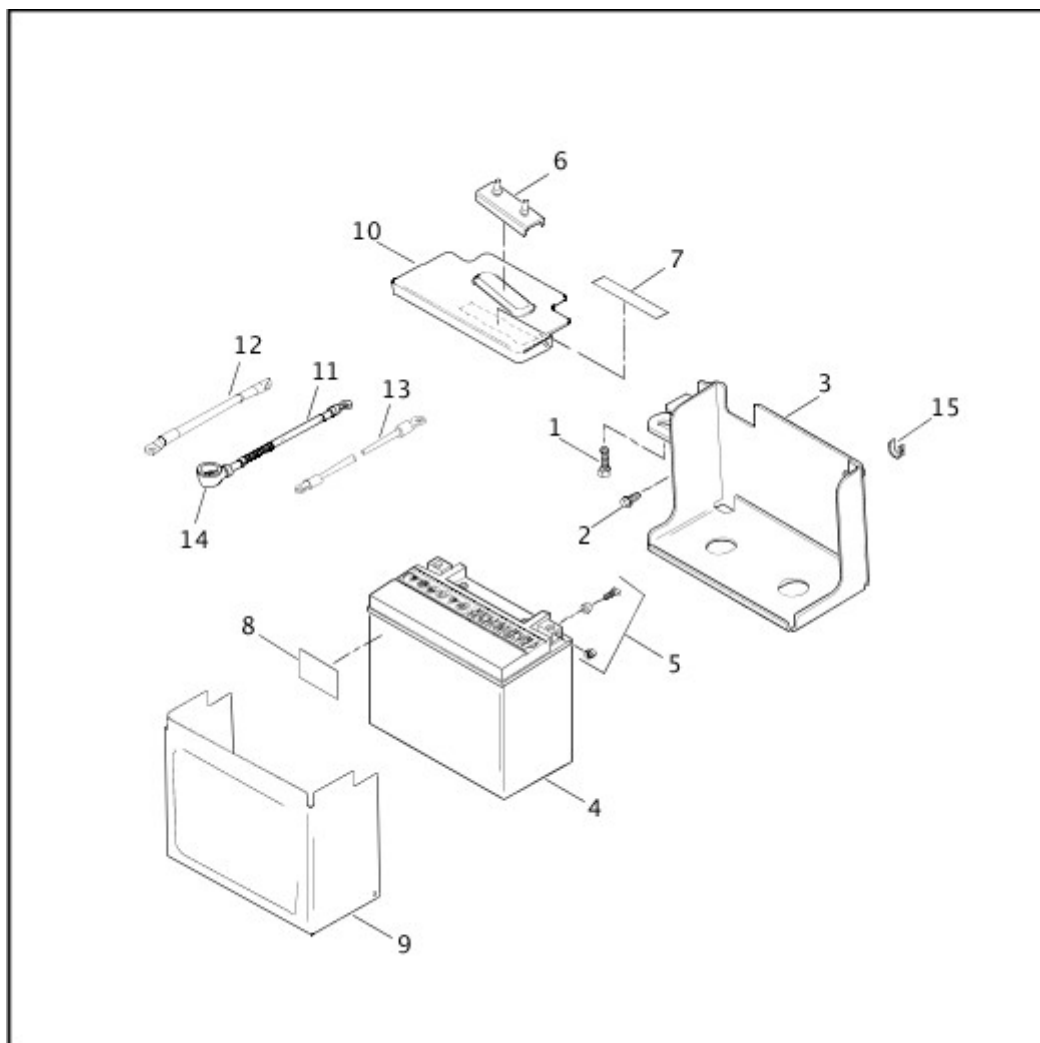
VIEW INTERACTIVE IMAGE

[View interactive table](#)

INDEX NO.	PART NO.	DESCRIPTION	MODEL(S)
1	4017	BOLT	ALL
2	4718A	SCREW, w/ washer (2)	ALL
3	5414	BOLT, carriage (2)	ALL
4	5445W	BOLT, carriage (4)	ALL

INDEX NO.	PART NO.	DESCRIPTION	MODEL(S)
5	6702	WASHER	ALL
6	7531	LOCKNUT, flange (6)	ALL
7	7593	NUT, flange lock (4)	ALL
8	7862	ACORN NUT (2)	ALL
9	9955	CLAMP (6)	ALL
10	10074	CLAMP (California & Switzerland) (4)	ALL
11	10119	CLAMP (4)	ALL
12	65376-95A	SHIELD, crossover, rear	ALL
13	65379-95	SHIELD, crossover, front	ALL
14	65296-95A	CLAMP KIT, w/ hardware (2)	ALL
15	65302-82A	CLAMP, exhaust pipe (2)	ALL
16	65324-83B	GASKET, exhaust port (2)	ALL
17	65325-83A	RETAINING RING, exhaust gasket (2)	ALL
18	65328-83A	FLANGE, exhaust manifold	ALL
19	65670-90A	EXHAUST BRACKET, front	ALL
20	65674-95	SUPPORT, muffler	ALL
21	65668-98	EXHAUST PIPE, rear	ALL
22	65669-98	EXHAUST PIPE, front	ALL
23	65695-95	BRACKET, rear exhaust	ALL
24	65701-95	SHIELD, rear exhaust	ALL
25	65746-95	SHIELD, front exhaust	ALL
26	65747-90A	MUFFLER KIT, w/ clamp & hardware (2)	ALL
	65844-95A	MUFFLER (catalytic) (California) (2)	ALL
27	65813-95	SHIELD, muffler (California & Switzerland) (2)	ALL
28	65826-90A	GASKET, interconnect	ALL
29	65827-90	RING, gasket retaining	ALL
<b>INTERNATIONAL MODELS ONLY</b>			
30	65388-97	MUFFLER (HDI) (2)	ALL
	65868-97	MUFFLER KIT (catalytic) (Switzerland) (2)	ALL

## BATTERY TRAY & BATTERY



VIEW INTERACTIVE IMAGE

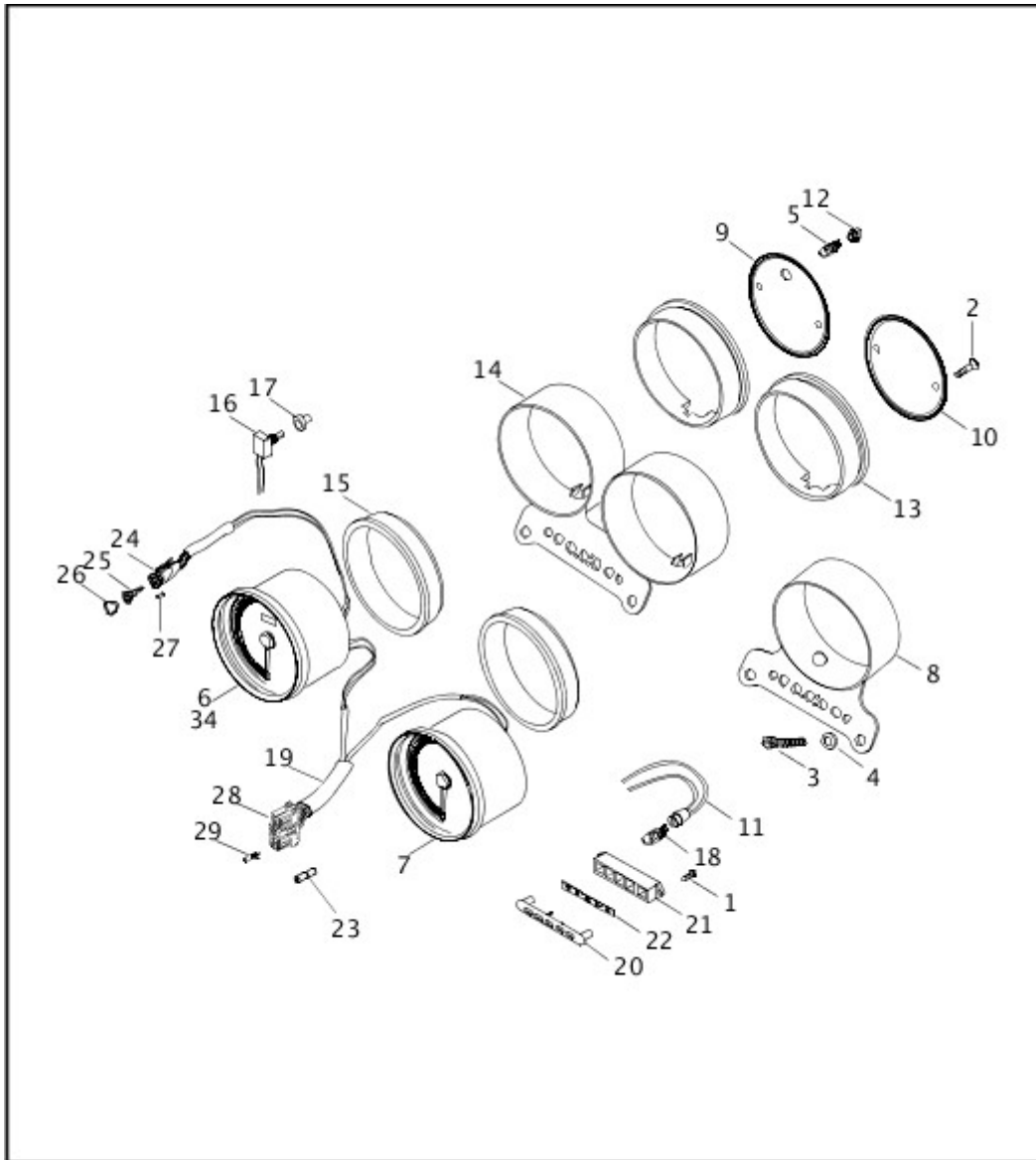
[View interactive table](#)

INDEX NO.	PART NO.	DESCRIPTION	MODEL(S)
1	4342	SCREW	ALL
2	4383	SCREW	ALL
3	47132-97B	TRAY, battery	ALL
4	65989-97C	BATTERY	ALL
5	66020-97	BATTERY TERMINAL KIT	ALL
6	66033-96	CUSHION, battery	ALL
7	66060-96	LABEL, warning	ALL
8	66352-65	PAD, battery	ALL
9	66371-97	SIDE COVER, battery (black)	FXD



INDEX NO.	PART NO.	DESCRIPTION	MODEL(S)
	66375-97	SIDE COVER, battery (chrome)	FXDL, FXDS CONV, FXDWG
10	66366-97	TOP COVER, battery (black)	FXD
	66368-97	TOP COVER, battery (chrome)	FXDL, FXDS CONV, FXDWG
11	70102-96A	CABLE ASSEMBLY, battery positive	ALL
12	70103-96	CABLE ASSEMBLY, battery negative	ALL
13	70276-96	CABLE ASSEMBLY, starter to ground	ALL
14	70595-96	BOOT	ALL
15	90977-97	BUSHING, front battery mount	ALL

## **INSTRUMENTS - FXD & FXDS-CON**



VIEW INTERACTIVE IMAGE

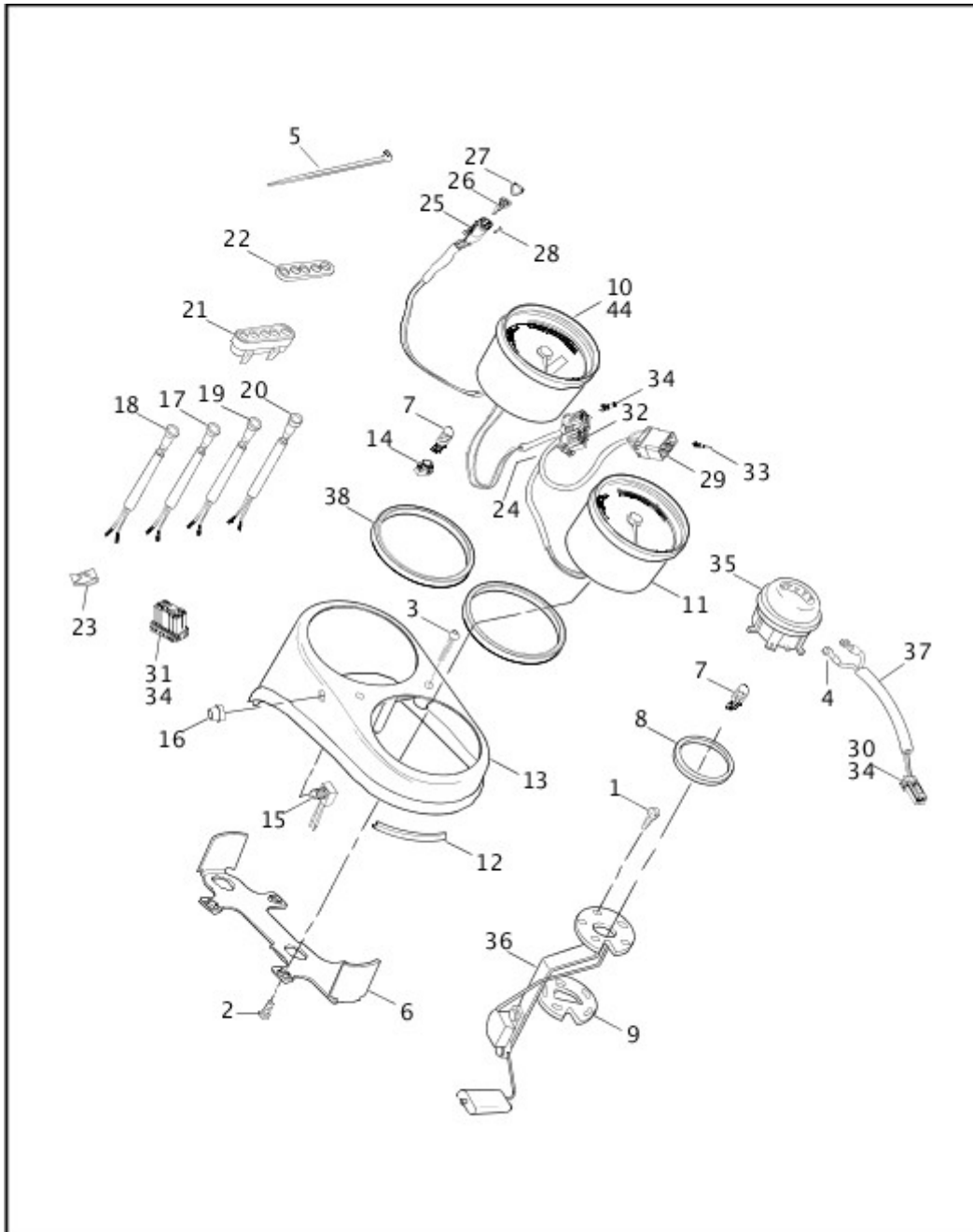
[View interactive table](#)

INDEX NO.	PART NO.	DESCRIPTION	MODEL(S)
1	2325	SCREW (2)	FXD, FXDS CONV
2	2361	SCREW (2)	FXD
2	2361	SCREW (4)	FXDS CONV
3	4326A	SCREW (2)	FXD, FXDS CONV
4	6330	WASHER (2)	FXD, FXDS CONV
5	53439-79	BULB, speedometer	FXD, FXDS CONV

INDEX NO.	PART NO.	DESCRIPTION	MODEL(S)
	52441-95	BULB, tachometer	FXDS CONV
	67136-85	BULB, odometer	FXD, FXDS CONV
6	67025-96C	SPEEDOMETER, mph	FXD, FXDS CONV
7	67042-95A	TACHOMETER	FXDS CONV
8	67053-95	BRACKET, speedometer	FXD
9	67085-95	COVER, speedometer back (chrome rim)	FXD, FXDS CONV
10	67103-95	COVER, tachometer back (chrome rim)	FXDS CONV
11	67184-94	SOCKET, indicator lamps (5)	FXD, FXDS CONV
12	67191-94	SOCKET, speedometer & tachometer bulb (2)	FXD
12	67191-94	SOCKET, speedometer & tachometer bulb (3)	FXDS CONV
13	67104-95	CUSHION, rear	FXD
13	67104-95	CUSHION, rear (2)	FXDS CONV
14	67338-97	BRACKET, speedometer & tachometer	FXDS CONV
15	67121-95A	CUSHION, front	FXD
15	67121-95A	CUSHION, front (2)	FXDS CONV
16	67854-98	SWITCH, reset	FXD, FXDS CONV
17	67880-94	BOOT, reset switch	FXD, FXDS CONV
18	68024-94	BULB, indicator lamps (5)	FXD, FXDS CONV
19	68812-98	HARNESS, warning lamp	FXD
	68850-98	HARNESS, warning lamp	FXDS CONV
20	68513-95A	TRIM PLATE, indicator lamps	FXD, FXDS CONV
21	68516-95	HOUSING, indicator lamps	FXD, FXDS CONV
22	68551-95	LENS, indicator lamps (use 68513-95A)	FXD, FXDS CONV
23	72044-71A	CONNECTOR, single socket	FXD, FXDS

INDEX NO.	PART NO.	DESCRIPTION	MODEL(S)
			CONV
24	72113-94BK	PLUG, 3-way socket	FXD, FXDS CONV
25	72153-94	SOCKET LOCK, secondary, 3-way	FXD, FXDS CONV
26	72173-94	SEAL, front (3-way plug)	FXD, FXDS CONV
27	72191-94	TERMINAL, socket (3)	FXD, FXDS CONV
28	73164-96BK	CONNECTOR, 14-place	FXD, FXDS CONV
29	73191-96	SOCKET CONTACT, 16-20 gauge (12)	FXD, FXDS CONV
30	7069	LOCKWASHER, speedometer/tachometer (as required) (not illustrated)	FXD, FXDS CONV
31	7634	NUT, speedometer/tachometer (as required) (not illustrated)	FXD, FXDS CONV
32	70585-93	CONNECTOR (switch, reset) (not illustrated) (2)	FXD, FXDS CONV
33	72241-94A	TERMINAL, ring type, #10 speedometer/tachometer (as required) (not illustrated)	FXD, FXDS CONV
<b>INTERNATIONAL MODELS ONLY</b>			
34	67177-95C	SPEEDOMETER, kph (HDI)	FXD, FXDS CONV
	67257-95C	SPEEDOMETER, dual mph/kph (Great Britain)	FXD, FXDS CONV

## INSTRUMENTS - FXDL



[VIEW INTERACTIVE IMAGE](#)

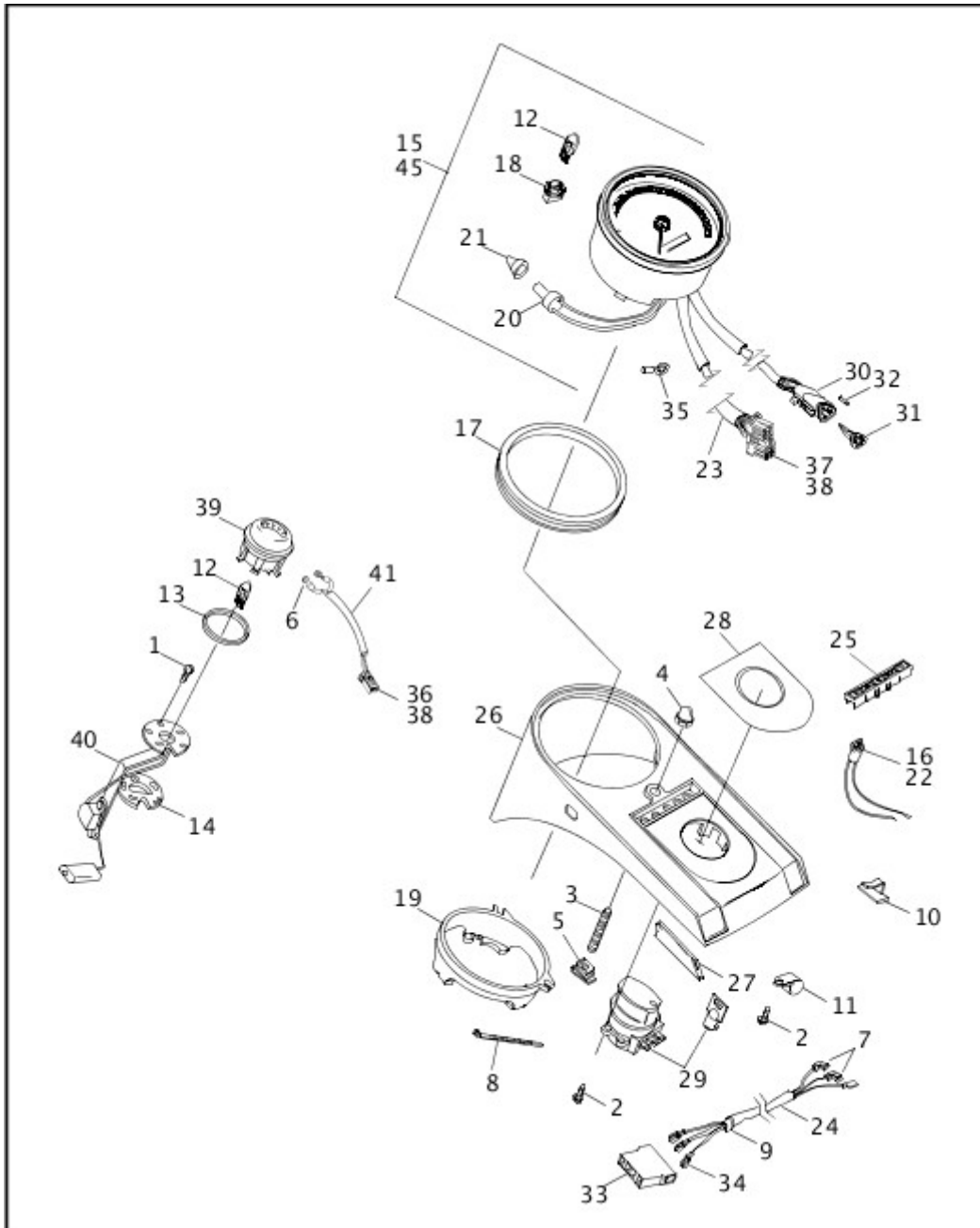
[View interactive table](#)

INDEX NO.	PART NO.	DESCRIPTION	MODEL(S)
1	1311D	SCREW (5)	FXDL
2	2361	SCREW (4)	FXDL
3	2519	SCREW (2)	FXDL
4	9856	TERMINAL, ring type, #6 hole (2)	FXDL
5	10065	CABLE STRAP	FXDL
6	48047-95A	BRACKET, instrument	FXDL

INDEX NO.	PART NO.	DESCRIPTION	MODEL(S)
7	53439-79	BULB, speedometer	FXDL
	52441-95	BULB, tachometer	FXDL
	67136-85	BULB, odometer/fuel gauge (2)	FXDL
8	61192-96A	GASKET, cap gauge	FXDL
9	61324-88A	GASKET, fuel sending unit	FXDL
10	67025-96C	SPEEDOMETER, mph	FXDL
11	67042-95A	TACHOMETER	FXDL
12	67119-95	TRIM, console	FXDL
13	67185-95	CONSOLE	FXDL
14	67191-94	SOCKET, speedometer & tachometer bulb (3)	FXDL
15	67854-98	SWITCH, reset	FXDL
16	67880-94	BOOT, reset switch	FXDL
17	68020-92A	INDICATOR LAMP, oil pressure (red)	FXDL
18	68021-92A	INDICATOR LAMP, turn signal (green) (2)	FXDL
19	68023-92A	INDICATOR LAMP, high beam (blue)	FXDL
20	68024-92A	INDICATOR LAMP, neutral (green)	FXDL
21	68513-92	BEZEL, indicator lamps	FXDL
22	68516-92	TRIM, indicator lamps	FXDL
23	68608-83	SPEED NUT (5)	FXDL
24	68815-98	HARNESS, warning lamp	FXDL
25	72113-94BK	PLUG, 3-way socket	FXDL
26	72153-94	SOCKET LOCK, secondary, 3-way	FXDL
27	72173-94	SEAL, front (3-way plug)	FXDL
28	72191-94	TERMINAL, socket (3)	FXDL
29	73110-96BK	CONNECTOR, 10-place	FXDL
30	73152-96BK	SOCKET HOUSING, 2-place	FXDL
31	73160-96BK	SOCKET HOUSING, 10-place	FXDL
32	73164-96BK	CONNECTOR, 14-place	FXDL
33	73190-96	TERMINAL, pin (10)	FXDL
34	73191-96	SOCKET CONTACT, 16-20 gauge (24)	FXDL

INDEX NO.	PART NO.	DESCRIPTION	MODEL(S)
35	75049-88C	FUEL GAUGE	FXDL
36	75062-90A	SENDING UNIT, w/ gasket	FXDL
37	75120-96A	HARNESS, fuel gage	FXDL
38	92061-95	GASKET, instrument mounting (2)	FXDL
39	7069	LOCKWASHER, speedometer/tachometer (as required) (not illustrated)	FXDL
40	7634	NUT, speedometer/tachometer (as required) (not illustrated)	FXDL
41	7889	NUT, fuel gauge (not illustrated) (4)	FXDL
42	70585-93	CONNECTOR, w/ switch, reset (not illustrated) (2)	FXDL
43	72241-94A	TERMINAL, ring type, #10 speedometer/tachometer (as required) (not illustrated)	FXDL
<b>INTERNATIONAL MODELS ONLY</b>			
44	67177-95C	SPEEDOMETER, kph (HDI)	FXDL
	67257-95C	SPEEDOMETER, dual mph/kph (Great Britain)	FXDL

## INSTRUMENTS - FXDWG



VIEW INTERACTIVE IMAGE

View interactive table

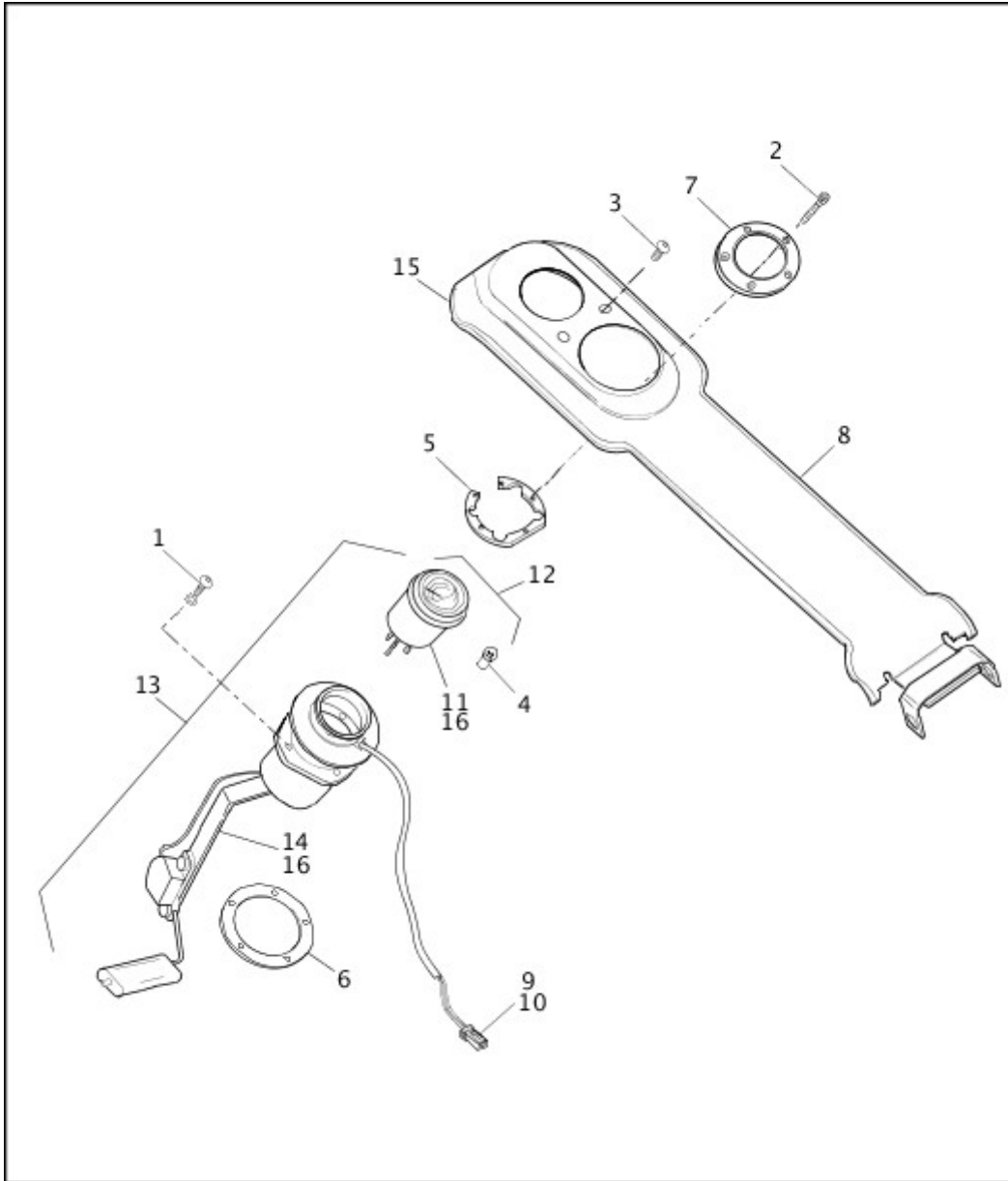
INDEX NO.	PART NO.	DESCRIPTION	MODEL(S)
1	1311D	SCREW (5)	FXDWG
2	2501A	SCREW (5)	FXDWG
3	3256	SCREW	FXDWG
4	7549A	ACORN NUT	FXDWG
5	8102	SPEEDNUT	FXDWG
6	9856	TERMINAL, ring type, #6 hole (2)	FXDWG
7	9898	TERMINAL, female flag, #14-16 gauge (2)	FXDWG



INDEX NO.	PART NO.	DESCRIPTION	MODEL(S)
8	10039	CABLE STRAP (2)	FXDWG
9	10065	CABLE STRAP	FXDWG
10	10102	CLIP (2)	FXDWG
11	38717-91	CLAMP, cable	FXDWG
12	53439-79	BULB, speedometer	FXDWG
	67136-85	BULB, odometer/fuel gauge (2)	FXDWG
13	61192-96A	GASKET, cap gauge	FXDWG
14	61324-88A	GASKET, fuel sending unit	FXDWG
15	67178-96C	SPEEDOMETER, mph	FXDWG
16	67184-94	SOCKET, indicator lamps (5)	FXDWG
17	67190-89	SEAL, speedometer	FXDWG
18	67191-94	SOCKET, instrument bulbs (2)	FXDWG
19	67271-94A	BACK CLAMP	FXDWG
20	67854-98	SWITCH, reset	FXDWG
21	67880-94	BOOT, reset switch	FXDWG
22	68024-94	BULB, indicator lamps (6)	FXDWG
23	68774-98	HARNESS, warning lamp	FXDWG
24	70250-95A	HARNESS, ignition switch	FXDWG
25	71146-94	LENS, indicator lamps	FXDWG
26	71246-95	INSTRUMENT PANEL	FXDWG
27	71265-95	TRIM, instrument panel	FXDWG
28	71302-93A	NAMEPLATE, ignition switch	FXDWG
29	71450-04	LOCK SET, w/ fork lock, keys & ignition switch	FXDWG
	71452-91A	KEY (specify key code)	FXDWG
	71313-96A	IGNITION SWITCH, w/ keys	FXDWG
30	72113-94BK	PLUG, 3-way socket	FXDWG
31	72153-94	SOCKET LOCK, secondary, 3-way	FXDWG
32	72191-94	TERMINAL, socket (3)	FXDWG
33	72206-94	CONNECTOR, receptacle, 4-way	FXDWG
34	72207-94	TERMINAL, female, #14 gauge (3)	FXDWG

INDEX NO.	PART NO.	DESCRIPTION	MODEL(S)
35	72241-94A	TERMINAL, ring type, #10 hole, 18-20 gauge (3)	FXDWG
36	73152-96BK	SOCKET HOUSING, 2-place	FXDWG
37	73164-96BK	CONNECTOR, 14-place	FXDWG
38	73191-96	SOCKET CONTACT, 16-20 gauge (12)	FXDWG
39	75049-88C	FUEL GAUGE	FXDWG
40	75062-90A	SENDING UNIT, w/ gasket	FXDWG
41	75120-96A	FUEL GAUGE HARNESS	FXDWG
42	7069	LOCKWASHER, speedometer/tachometer (as required) (not illustrated)	FXDWG
43	7634	NUT, speedometer/tachometer (as required) (not illustrated)	FXDWG
44	70585-93	CONNECTOR, w/ switch, reset (not illustrated) (2)	FXDWG
<b>INTERNATIONAL MODELS ONLY</b>			
45	67179-95C	SPEEDOMETER, kph (HDI)	FXDWG
	67256-98	SPEEDOMETER, dual mph/kph (Great Britain)	FXDWG

## FUEL TANK INSTRUMENTS - FXD & FXDS-CON



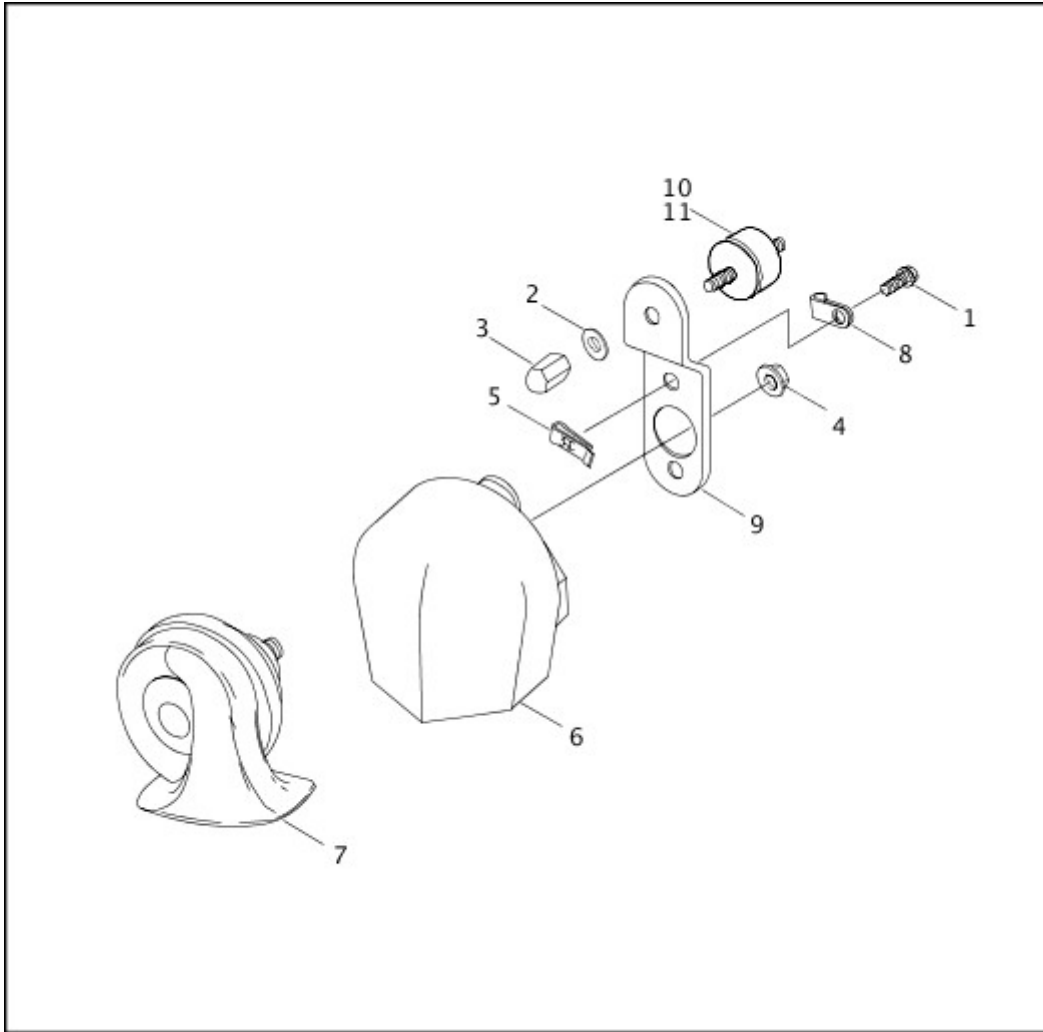
VIEW INTERACTIVE IMAGE

View interactive table

INDEX NO.	PART NO.	DESCRIPTION	MODEL(S)
1	1311D	SCREW, sealing (5)	FXD, FXDS CONV
2	3058	SCREW (5)	FXD, FXDS CONV
3	4363	SCREW (black) (2)	FXD, FXDS CONV
4	53439-79	BULB, fuel gauge	FXD, FXDS CONV
5	61235-94	RING, trim panel	FXD, FXDS CONV

INDEX NO.	PART NO.	DESCRIPTION	MODEL(S)
6	61344-01	GASKET (used w/ 75078-01)	FXD, FXDS CONV
	61344-94	GASKET (used w/ 75066-96A)	FXD, FXDS CONV
7	61400-94	HOUSING, fuel gauge	FXD, FXDS CONV
8	61223-02	TRIM PANEL ASSEMBLY, w/ 61772-01A	FXD, FXDS CONV
9	72912-01BK	SOCKET HOUSING, 2-place (used w/ 75078-01)	FXD, FXDS CONV
	73152-96BK	SOCKET HOUSING, 2-place (used w/ 75066-96A)	FXD, FXDS CONV
10	72991-01	SOCKET CONTACT, 18-22 AWG (used w/ 75078-01) (2)	FXD, FXDS CONV
	73191-96	SOCKET CONTACT, 16-20 AWG (used w/ 75066-96A) (2)	FXD, FXDS CONV
11	75067-94A	FUEL GAUGE (used w/ 75066-96A)	FXD, FXDS CONV
	75067-01	FUEL GAUGE, w/ pins, terminals & boots (used w/ 75066-01)	FXD, FXDS CONV
12	75066-96A	GAUGE FUEL/SENDER ASSEMBLY, w/ 53439-79 & 75067-94A (use 75066-96B)	FXD, FXDS CONV
13	75066-96B	GAUGE FUEL/SENDER ASSEMBLY, w/ 75066-01 (replaces 75066-96A)	FXD, FXDS CONV
14	75078-01	SENDING UNIT, w/ 61344-01, 72912-01BK & 72991-01 (used w/ 75066-01)	FXD, FXDS CONV
	75078-97	SENDING UNIT (used w/ 75066-96A)	FXD, FXDS CONV
15	61772-01A	TRIM, edging	FXD, FXDS CONV
16	75066-01	FUEL GAUGE & SENDER, w/ 75067-01 & 75078-01 (used w/ 75066-96B)	FXD, FXDS CONV

## HORN



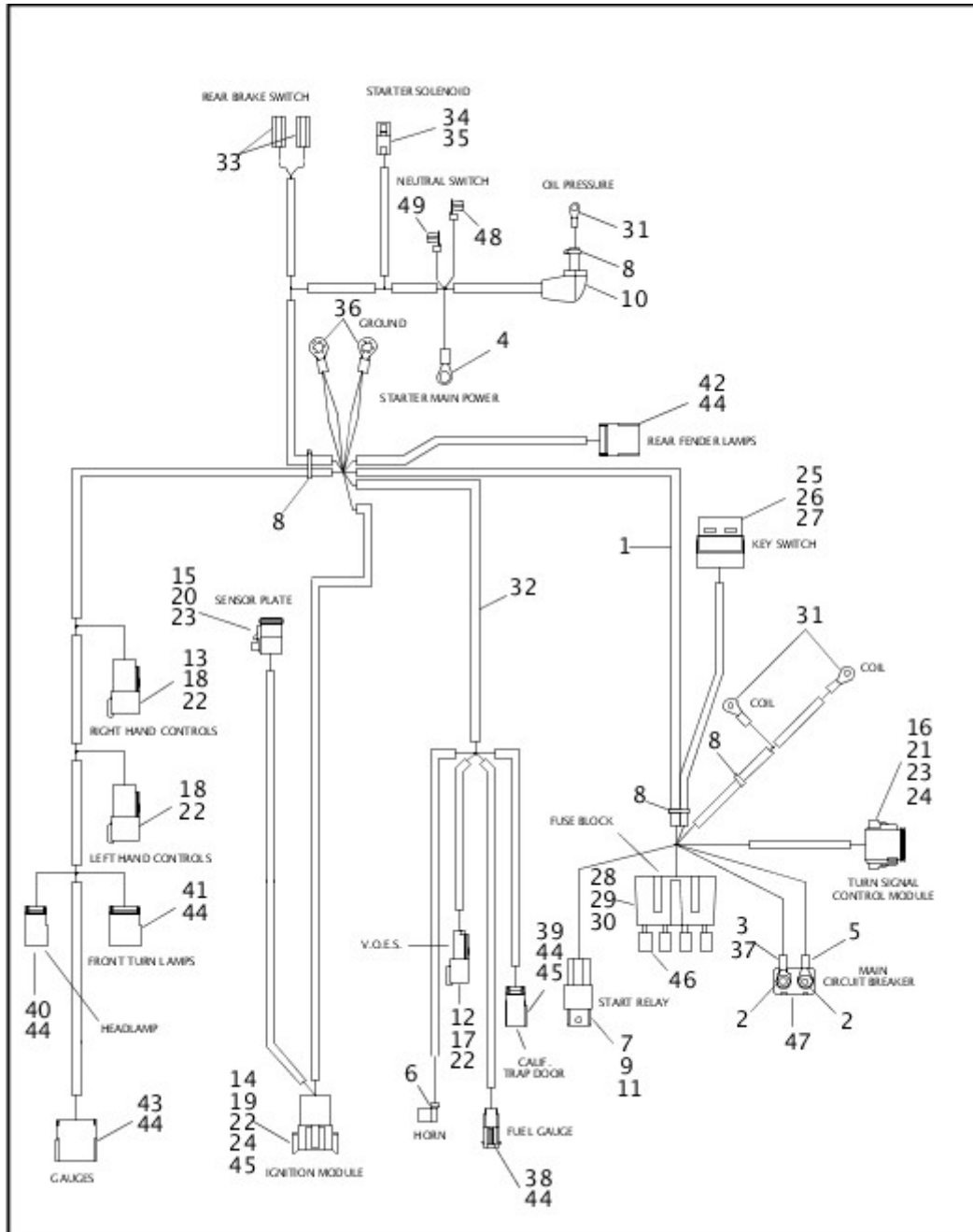
VIEW INTERACTIVE IMAGE

View interactive table

INDEX NO.	PART NO.	DESCRIPTION	MODEL(S)
1	3588	SCREW (2)	ALL
2	6109	WASHER	ALL
3	7481	ACORN NUT	ALL
4	7495	NUT	ALL
5	8108	SPEEDNUT (2)	ALL
6	69012-93A	COVER, horn (chrome)	ALL
7	69060-90F	HORN ASSEMBLY, w/ 7495	ALL
8	69062-91A	CLAMP	ALL
9	69120-91	BRACKET, horn	ALL
10	69123-92A	MOUNT, horn (rubber)	ALL
<b>INTERNATIONAL MODELS ONLY</b>			

INDEX NO.	PART NO.	DESCRIPTION	MODEL(S)
11	69122-95	MOUNT, horn (rubber)	ALL

## WIRING HARNESS, MAIN



VIEW INTERACTIVE IMAGE

[View interactive table](#)

INDEX NO.	PART NO.	DESCRIPTION	MODEL(S)
1	69558-98	MAIN WIRING HARNESS	ALL

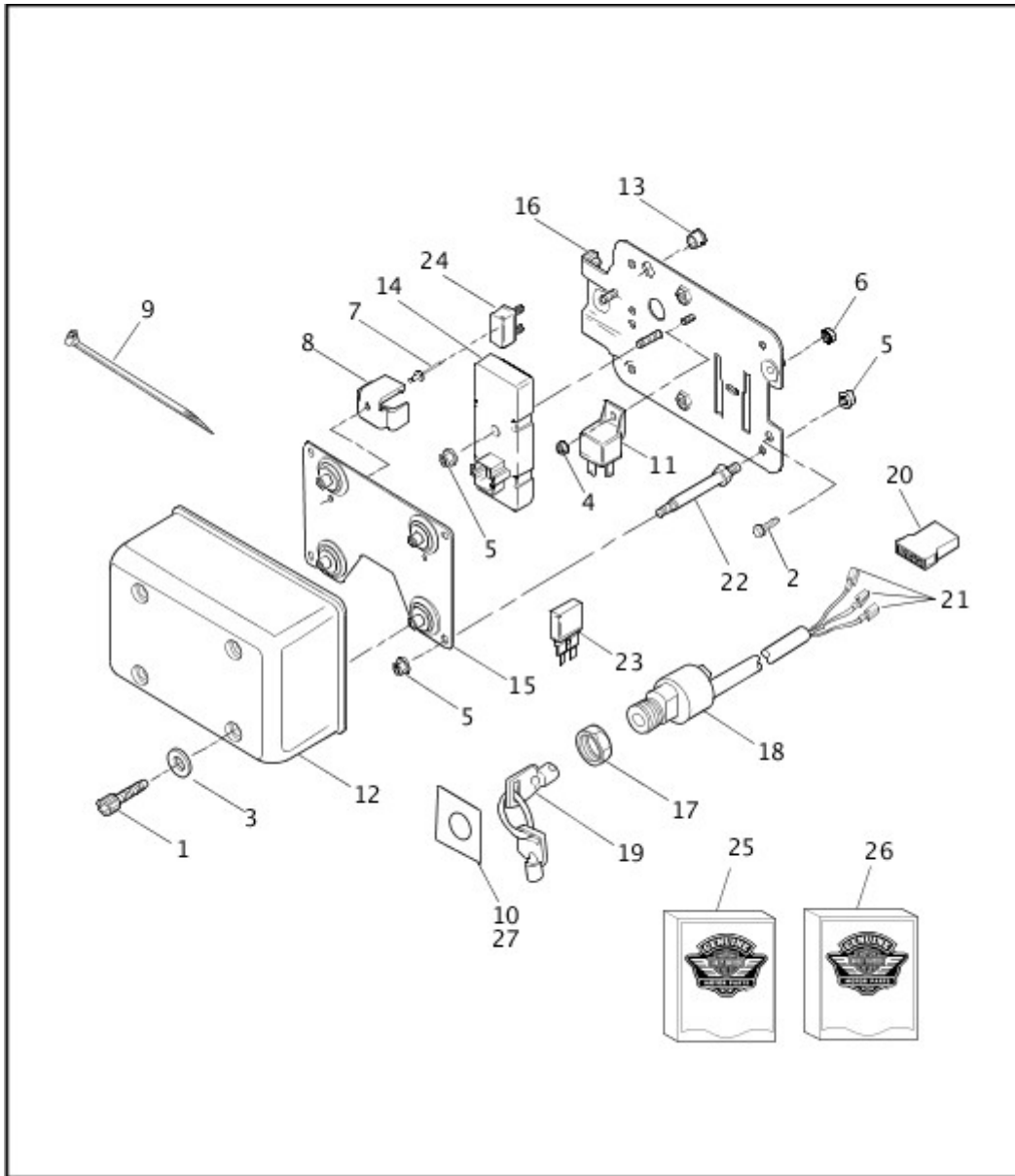
**NOTE:** Includes the following parts.

INDEX NO.	PART NO.	DESCRIPTION	MODEL(S)
2	7629	NUT, w/ washer (2)	ALL
3	9840	TERMINAL, ring type	ALL
4	9842	TERMINAL, ring type	ALL
5	9843	TERMINAL, ring type, #10 10-12 gauge	ALL
6	9898	TERMINAL, female flag, #14-16 wire	ALL
7	9937	TERMINAL, 1/4 female spade, 14-16 gauge (4)	ALL
8	10065	CABLE STRAP (4)	ALL
9	31504-91B	RELAY, w/ diode (starter)	ALL
10	70579-65	BOOT, rubber	ALL
11	72046-79	SOCKET HOUSING	ALL
12	72102-94BK	RECEPTACLE, 2-way pin (black)	ALL
13	72106-94BK	RECEPTACLE, 6-way pin (black)	ALL
14	72108-94BK	RECEPTACLE, 8-way pin (black)	ALL
15	72113-94BK	PLUG, 3-way socket (black)	ALL
16	72138-94GY	PLUG, 8-way socket (gray)	ALL
17	72142-94	PIN LOCK, secondary, 2-way	ALL
18	72146-94	PIN LOCK, secondary, 6-way (2)	ALL
19	72148-94	PIN LOCK, secondary, 8-way	ALL
20	72153-94	SOCKET LOCK, secondary, 3-way	ALL
21	72158-94	SOCKET LOCK, 8-way	ALL
22	72190-94	TERMINAL, pin (21)	ALL
23	72191-94	TERMINAL, socket (10)	ALL
24	72195-94	SEAL PIN (2)	ALL
25	72205-94	CONNECTOR, plug 4-way	ALL
26	72208-94	TERMINAL, male, 12 gauge	ALL
27	72210-94	TERMINAL, male, 14 gauge (2)	ALL
28	72216-94	FUSEBLOCK	ALL
29	72217-94	TERMINAL, auto fuse, 18-20 gauge (4)	ALL
30	72218-94	TERMINAL, auto fuse, 14-16 gauge (4)	ALL
31	72241-94A	TERMINAL, #10 ring 18-20 gauge (3)	ALL

INDEX NO.	PART NO.	DESCRIPTION	MODEL(S)
32	72266-94	HEAT SHRINK TUBE, dual wall, 0.3 x 2 inch (11)	ALL
33	72290-94	TERMINAL, female, 18-20 gauge (2)	ALL
34	72291-94	TERMINAL, female, 14-16 gauge	ALL
35	72295-94	HOUSING, starter connection	ALL
36	72365-96	TERMINAL, ring type, 5/16 inch star (2)	ALL
37	72366-95	HEAT SHRINK TUBE, yellow (2)	ALL
38	73102-96BK	PIN HOUSING, 2-place (black)	ALL
39	73103-96BK	PIN HOUSING, 3-place (black)	ALL
40	73104-96BK	PIN HOUSING, 4-place (black)	ALL
41	73106-96BK	PIN HOUSING, 6-place (black)	ALL
42	73108-96BK	PIN HOUSING, 8-place (black)	ALL
43	73114-96BK	PIN HOUSING, 14-place (black)	ALL
44	73190-96	TERMINAL, pin 20-16 gauge (35)	ALL
45	73198-96	ANCHOR, connector (2)	ALL
46	74587-94	CIRCUIT BREAKER, 15 amp (4)	ALL
47	74599-77B	CIRCUIT BREAKER, 30 amp	ALL
48	72405-98BK	TERMINAL (black)	ALL
49	72405-98TN	TERMINAL (tan)	ALL

## SWITCHES & CIRCUIT BREAKERS





VIEW INTERACTIVE IMAGE

View interactive table

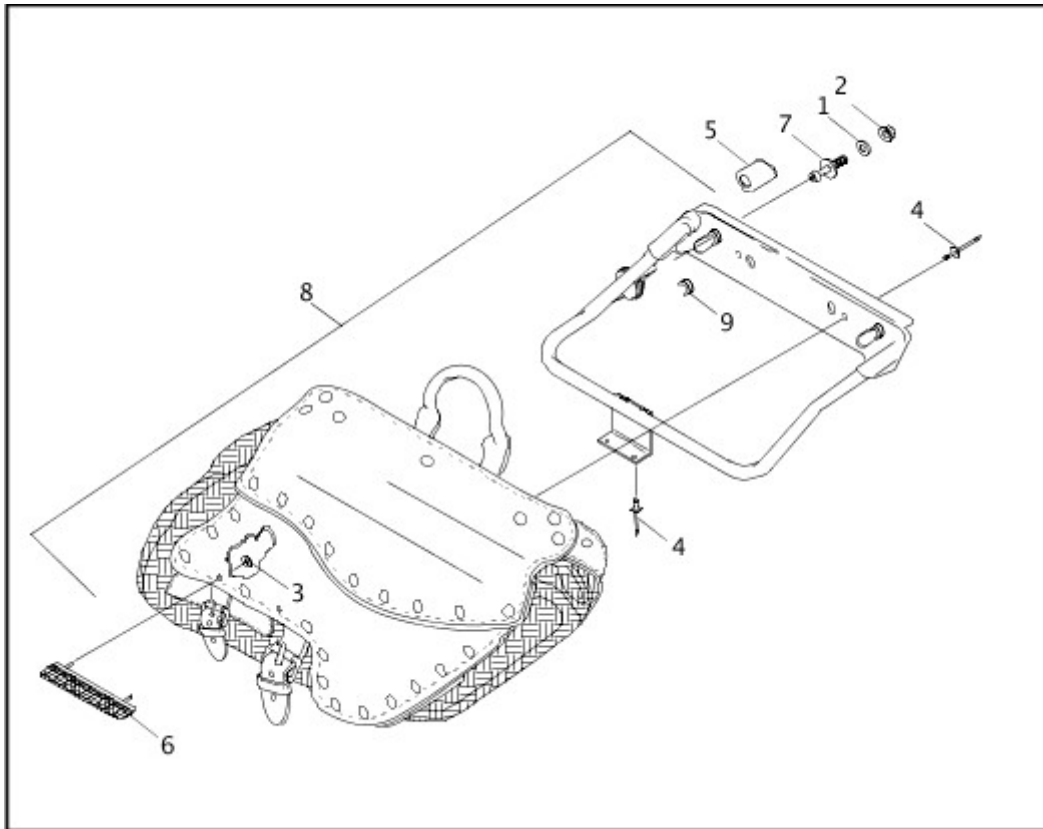
INDEX NO.	PART NO.	DESCRIPTION	MODEL(S)
1	3594	SCREW (4)	ALL
2	3892	SCREW	ALL
3	6099	WASHER (4)	ALL
4	7629	NUT, w/ washer	ALL
5	7716	LOCKNUT (9)	ALL
6	7796	NUT, w/ washer (2)	ALL
7	8483A	RIVET	ALL

Note: For additional fuse, relay and circuit breaker part number information, see Wiring Harness information.

INDEX NO.	PART NO.	DESCRIPTION	MODEL(S)
8	9989A	CLIP, circuit breaker	ALL
9	10065	CABLE STRAP	ALL
10	14117-96A	DECAL, ignition switch	FXD, FXDL, FXDS CONV
11	31504-91B	RELAY, w/ diode (starter)	ALL
12	66333-90	COVER, electrical panel (chrome)	FXDL, FXDS CONV, FXDWG
	66361-90	COVER, electrical panel	FXD
13	67367-96	BUSHING	ALL
14	68540-96	MODULE, turn signal canceller	ALL
15	70984-96A	TOP PLATE, electrical panel	ALL
16	70986-96	ELECTRICAL PANEL	ALL
17	71555-90	FACE NUT	FXD, FXDL, FXDS CONV
18	71428-90B	IGNITION SWITCH	FXD, FXDL, FXDS CONV
19	71452-91A	KEY (specify key code)	ALL
20	72206-94	CONNECTOR, receptacle, 4-way	FXD, FXDL, FXDS CONV
21	72207-94	TERMINAL, female, #14 gauge (3)	FXD, FXDL, FXDS CONV
22	72342-90A	STAND OFF (4)	ALL
23	74587-94	CIRCUIT BREAKER, 15 amp (4)	ALL
24	74599-77B	CIRCUIT BREAKER, 30 amp	ALL
25	71450-04	LOCKSET, fork & ignition, w/ key	FXDWG
26	71421-90B	LOCKSET, fork & ignition, w/ key	FXD, FXDL, FXDS CONV
<b>INTERNATIONAL MODELS ONLY</b>			
27	14117-96A	DECAL, ignition switch (HDI)	FXD, FXDL, FXDS CONV

Note: For additional fuse, relay and circuit breaker part number information, see Wiring Harness information.

## SADDLEBAGS - FXDS-CON

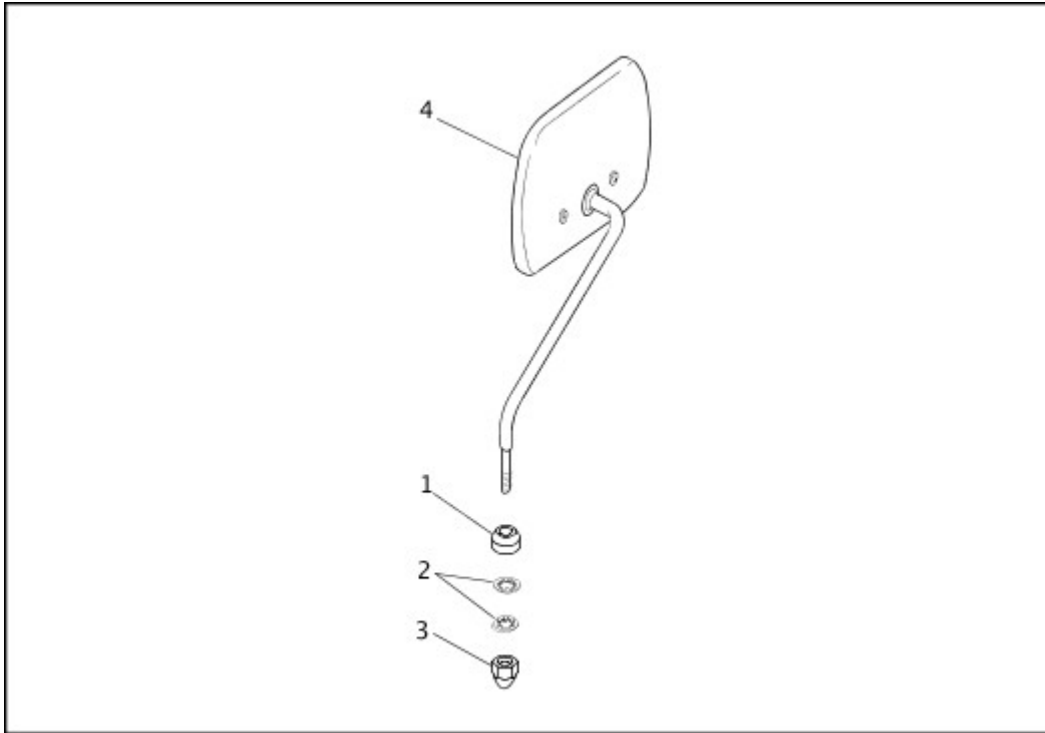


VIEW INTERACTIVE IMAGE

View interactive table

INDEX NO.	PART NO.	DESCRIPTION	MODEL(S)
1	6379W	WASHER (4)	FXDS CONV
2	7667	NUT (4)	FXDS CONV
3	8126A	PUSH NUT (4)	FXDS CONV
4	8540	RIVET (8)	FXDS CONV
5	59279-94	PROTECTOR, fender, right	FXDS CONV
	59284-94	PROTECTOR, fender, left	FXDS CONV
6	59293-94	REFLECTOR, right (red)	FXDS CONV
	59294-94	REFLECTOR, left (red)	FXDS CONV
7	90365-96	STUD (4)	FXDS CONV
8	91184-96A	SADDLEBAG ASSEMBLY, right	FXDS CONV
	91185-96A	SADDLEBAG ASSEMBLY, left	FXDS CONV
9	90823-94	BUSHING (4)	FXDS CONV

## MIRRORS

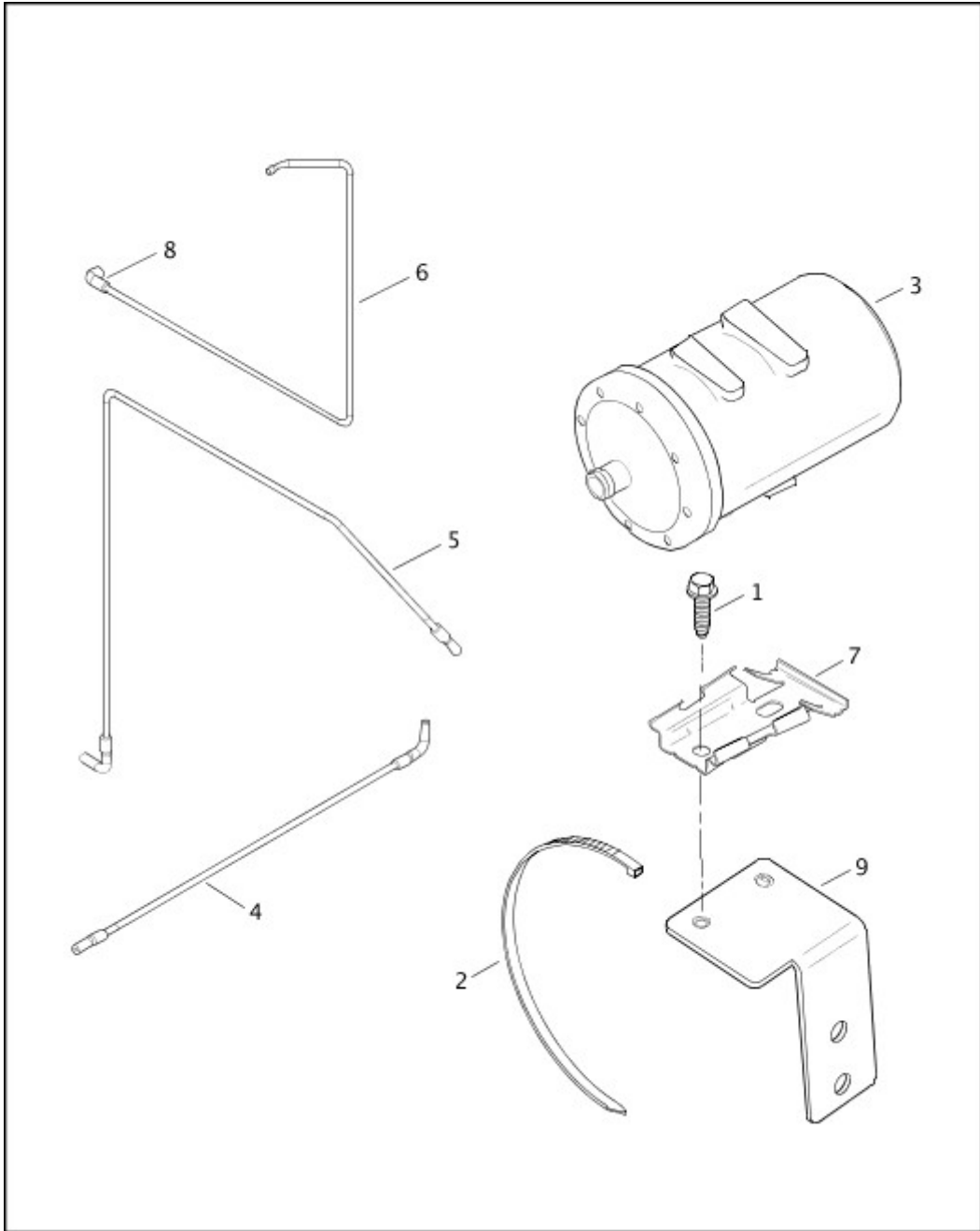


VIEW INTERACTIVE IMAGE

View interactive table

INDEX NO.	PART NO.	DESCRIPTION	MODEL(S)
1	5714	SPACER (2)	ALL
2	7127	LOCKWASHER (2)	ALL
3	7736	ACORN NUT (2)	ALL
4	91875-88A	MIRROR KIT, short, right, convex	ALL
	91892-88A	MIRROR KIT, short, left, convex	ALL

## CALIFORNIA EVAPORATIVE EMISSIONS KIT



VIEW INTERACTIVE IMAGE

View interactive table

INDEX NO.	PART NO.	DESCRIPTION	MODEL(S)
1	3893	SCREW (2)	ALL
2	10006	CABLE STRAP (3)	ALL
3	27042-84A	CANISTER ASSEMBLY	ALL
4	27189-96A	TUBE, tank to canister	ALL
5	27190-96	TUBE, carburetor to canister	ALL
6	28886-96	UPTUBE ASSEMBLY	ALL

NOTE: These parts are for 1998 and later 1340 cc model motorcycles sold in the state of California.

INDEX NO.	PART NO.	DESCRIPTION	MODEL(S)
7	27047-84B	CANISTER BRACKET	ALL
8	29312-95	CONNECTOR, elbow	ALL
9	47207-96A	BRACKET, canister mounting	ALL

NOTE: These parts are for 1998 and later 1340 cc model motorcycles sold in the state of California.

## Hardware List

[View interactive table](#)

PART NO.	DESCRIPTION
1000	SCREW 1/4-20 X 5/8 pan head
1005A	BOLT 1/4 X 20 X 3/4 Phillips truss head
1311D	SCREW No. 8-32 X 1/2 Phillips truss head, self-sealing
1601	SCREW No. 8-32 X 1/2 Pozidriv flat countersink head (Grade 2)
1602	SCREW 1/4-20 X 3/4 flat head (Grade 2)
1783C	SCREW 5/16-18 X 7/8 Pozidriv flat countersink head (Grade 2)
1795A	SCREW 1/4-20 X 3 socket head (Grade 8)
2152A	SCREW 1/4-20 X 29/32 Phillips truss head (Grade 5)
2273A	SCREW No. 4-24 X 1/2 self-tapping, with sealant
2325	SCREW No. 6 X 3/4 cross recess pan head, self-tapping
2339	BOLT No. 10-24 X 3/4 hex head (Grade 2)
2361	SCREW No. 8-32 X 3/8 socket countersink head, with lockpatch
2501A	SCREW No. 8-32 X 3/8 hex head, self-tapping
2519	SCREW 1/4-20 X 1-1/2 socket button head (black)
2579A	SCREW No. 8-32 X 5/16 Pozidriv oval head
2607	SCREW 1/4-20 X 3/4 Pozidriv pan head (Grade 2)
2611C	BOLT No. 10-32 X 3/4 hex head, with washer (Grade 5)
2614	BOLT 1/4-28 X 2 hex head (Grade 5)
2698A	SCREW 5/16-18 X 9/16 socket fillister head
2708A	SCREW 5/16-18 X 1 socket head
2711	SCREW No. 4-40 X 3/8 pan head, self-tapping
2720	SCREW 10-24 X 1.0 TORX head, with lockpatch
2737	SCREW No. 4-40 X 1/4 Pozidriv pan head (Grade 2)
2773	SCREW 1/4-20 X 1/2 Pozidriv pan head (Grade 2)

PART NO.	DESCRIPTION
2823	SCREW 5/16-24 X 3/8 Pozidriv truss head, with lockpatch
2871W	BOLT 5/16-18 X 1-1/4 hex head (Grade 5)
2932A	SCREW 5/16-18 X 1-1/2 hex cap with scotch grip
2952A	SCREW 1/4-20 X 1/2 SEMS truss head
2955	SCREW No. 6-32 X 1/4 Phillips pan head, with lockwasher
2980	SCREW M6 X 1 X 16mm hex flange head
3058	SCREW No. 8-32 X 1/2 hex socket head (stainless)
31689-90	BOLT M4 X 0.7 X 12 hex head
3210A	SCREW 5/16-18 X 1-1/4 knurled head
3214	SCREW 3/8-16 X 1-1/4 socket head, thread-cutting
3221	SCREW No. 4-16 X 3/16 (Grade 8)
3233	SCREW 1/4-28 X 1/4 socket head
3256	SCREW 5/16-18 X 2-1/2
3275	SCREW 5/16-18 X 3/4 socket head (Grade 8)
3398	SCREW 5/16-18 X 3-3/8 hex flange head
3403	LOCKNUT M8-1.25 X 12mm flange (zinc)
3427	BOLT 5/16-18 X 3-1/2 hex head (Grade 5)
3445	BOLT 5/16-18 X 9/16 hex head, with lockpatch (Grade 5)
3471	BOLT 1/2-13 X 2-3/4 hex head (Grade 5)
3473	BOLT No. 10-32 X 1/2 hex head (Grade 2)
3480A	SCREW 1/4-20 X 1-3/4 knurled head (Grade 8)
3485A	SCREW 5/16-18 X 1-3/4 knurled head (Grade 8)
3487	BOLT 5/16-24 X 5/8 hex head, with lockpatch
3500A	BOLT 5/16-18 X 2-3/4 hex head (Grade 8)
3501A	BOLT 5/16-18 X 2-1/2 hex head (Grade 8)
3504A	BOLT 5/16-24 X 5-3/8 hex flange head (Grade 5)
3506	STUD 5/16-24 X 5-3/4 hex head (Grade 5)
35078-79	NUT 3/4-16 X .391 X 1
3509	BOLT 3/8-16 X 2-3/4 hex head (Grade 8)
3514	SCREW No. 8-32 X 1 fillister head (Grade 5)
35211-91B	NUT 1-1/2-24 X .350 X 1-7/8 hex head

PART NO.	DESCRIPTION
3528	BOLT 3/8-16 X 3-1/4 hex head (Grade 8)
3530	SCREW 5/16-18 X 3-3/4 hex head (Grade 5)
3537	SCREW 1/4-28 X 1/2 flange head, with lockpatch
3554	BOLT 3/8-16 X 1-3/4 hex head
3562	SCREW No. 12 X 1/2 hex head, with washer, self-tapping
3574	SCREW 1/4-20 X 3/4 flange
3579A	SCREW 1/4-28 X 1/4 SEMS hex head, self-tapping (Grade 2)
3588	SCREW 1/4-20 X 1/2 hex flange head
3594	SCREW 1/4-20 X 5/8 knurled head (Grade 8)
3601	SCREW 1/4-20 X 1-1/4 knurled head (Grade 8)
3613	SCREW 5/16-24 X 5-1/2 flange head
3655A	SCREW 5/16-18 X 7/8 TORX pan head, with lockpatch (Grade 8)
3658	SCREW No. 10-24 X 1/2 TORX head (Grade 5)
3689	BOLT 1/4-20 X 5/8 (Grade 2)
3730A	BOLT 7/16-14 X 1-3/4 hex head (Grade 8)
3770	SCREW 1/4-20 X 7/8 12 pt. head (Grade 5)
3784	SET SCREW 1/2-20 X 1/2 socket head, with lockpatch
3849	SCREW 1/4-20 X 1-1/4 SEMS hex head (Grade 8)
3891	SCREW 1/2-20 X 2-1/4 socket button head
3892	SCREW 1/4 X 5/8 self-tapping
3893	SCREW 1/4-20 X 1/2 hex head, with washer, self-tapping
3958	BOLT 1/2-20 X 2-1/4 hex head (Grade 5)
3987	BOLT 5/16-18 X 3/4 hex head (Grade 5)
3991	BOLT 5/16-18 X 7/8 hex head (Grade 5)
3993	BOLT 1/4-20 X 1-1/4 hex head (Grade 5)
4017	BOLT 5/16-18 X 1 hex head (Grade 5)
4029A	SCREW 3/8-16 X 2-1/4 socket head (black)
4047	SCREW 3/8 X 2 TORX button head, self-tapping
4059	SCREW 3/8-16 X 1 TORX head, with lockpatch, self-tapping (Grade 8)
4083W	SCREW 5/16-24 X 3-3/4 hex head (Grade 5)



PART NO.	DESCRIPTION
4086A	BOLT 5/16-18 X 3 hex head (Grade 5)
4091	SCREW No. 10-24 X 1/2 hex head, with washer, self-tapping (zinc)
4098	SCREW 3/8-16 X 1-1/4 socket button head (Grade 8)
4132	SCREW 1/4-20 X 1-1/8 TORX button head (Grade 5) (black)
4134	SCREW No. 10-24 X 3/8 TORX pan head
4240	SCREW No. 10-24 X 3/16 hex head, with washer
4326A	SCREW 5/16-18 X 2 socket head
4329	SCREW 1/4-20 X 3/4 hex head with washer, self-tapping
4342	SCREW No. 16-18 X 1 1/4 hex washer head
4351	SCREW 3/8-16 X 1-1/2 TORX head, self-tapping (Grade 8)
4352	SCREW 3/8-16 X 1-1/2 TORX, self-tapping (Grade 8)
43567-92	SCREW 3/8-16 X 1 TORX pan head, with lockpatch
4358A	SCREW No. 10-32 X 5.250 hex head (zinc plate)
4363	SCREW 1/4-20 X 1/2 socket button head
4364	SCREW 1/4-20 X 1/2 socket button head
4383	SCREW 5/16-18 X 5/8 hex head, with washer (Grade 2)
4453	BOLT 1/4-20 X 7/8 hex head SPECIAL WITH TAPPED HOLE
4460	BOLT 5/8-18 X 1 hex head (Grade 5)
45405-75A	SCREW M8 X 1.25 x 27 hex socket head
45717-63	LOCKWASHER 1 X 2 X 0.035 keyed special
45718-60	NUT 1-24 X 1.5 X 0.47
4713W	BOLT 3/8-16 X 3/4 hex head (Grade 5)
4716W	SCREW 3/8-16 X 1-1/4 hex head (Grade 5)
4717A	SCREW 1/4-20 X 2-1/4 knurled head, with lockpatch
4718A	SCREW 1/4-20 X 1-1/2 knurled head, with lockpatch
4721	BOLT 3/8-16 X 1-1/2 hex head (Grade 5)
4722	BOLT 3/8-16 X 2-1/4 hex head (Grade 5)
4724	BOLT 3/8-24 X 1-1/2 hex head (Grade 5)
4729	BOLT 7/16-20 X 1-1/4 hex head (Grade 5)
4740A	SCREW 1/4-20 X 1-1/4 knurled head, with lockpatch (Grade 8)
4741A	SCREW 1/4-20 X 1 socket head, with lockpatch

PART NO.	DESCRIPTION
4742A	SCREW 1/4-20 X 2-1/4 knurled head, with lockpatch
4813A	SCREW 1/4-20 X 1-3/8 knurled head, with lockpatch
4814A	SCREW 1/4-20 X 1-1/8 knurled head, with lockpatch
4816A	SCREW 5/16-18 X 1-1/2 socket head
4820A	SCREW 1/4-20 X 2 socket head
4822A	SCREW 1/4-20 X 2-3/4 knurled head, with lockpatch
5403B	BOLT 1/4-20 X 3/8 carriage
5414	BOLT 3/8-16 X 7/8 carriage (Grade 5)
54321-85	NUT No. 8-32 X 1/2 X 1/8 (brass)
5444	BOLT 3/8-16 X 1 carriage (Grade 5)
5445W	BOLT 5/16 X 1-1/4 carriage (Grade 5)
5710	WASHER 63/64 X 1-1/2 X 5/64
5756	WASHER 21/32 X 1-5/16 X 5/8
6003	WASHER 1-3/16 X 1-3/8 X 11/16
6012	WASHER 1/2 X 1-3/16 X 1/16
6016	WASHER 11/32 X 11/16 X 1/16
6019	WASHER 3/8 X 29/32 X 1/16
6036	WASHER 17/64 X 1 X 1/16
6099	WASHER 1/4 X 7/16 X 1/16
6101	WASHER 17/64 X 27/64 X 1/16
6109	WASHER 5/16 X 11/16 X 1/8
6113	WASHER 1/2 X 13/16 X 1/32
6116	WASHER 5/16 X 16/16 X 1/8
6239	WASHER 1/4 X 1/2 X 3/32
6253W	WASHER 1/4 X 3/4 X 3/64
6330	WASHER 5/16 X 11/16 X 3/32
6366	WASHER 1/2 X 1-1/4 X 3/32
6379W	WASHER 3/8 X 5/8 X 3/64
6400HB	WASHER 5/16 X 13/16 X 3/32
6410	WASHER 1/4 X 9/16 X 1/16 nylon
6497HW	WASHER 29/64 X 1-1/8 X 1/16

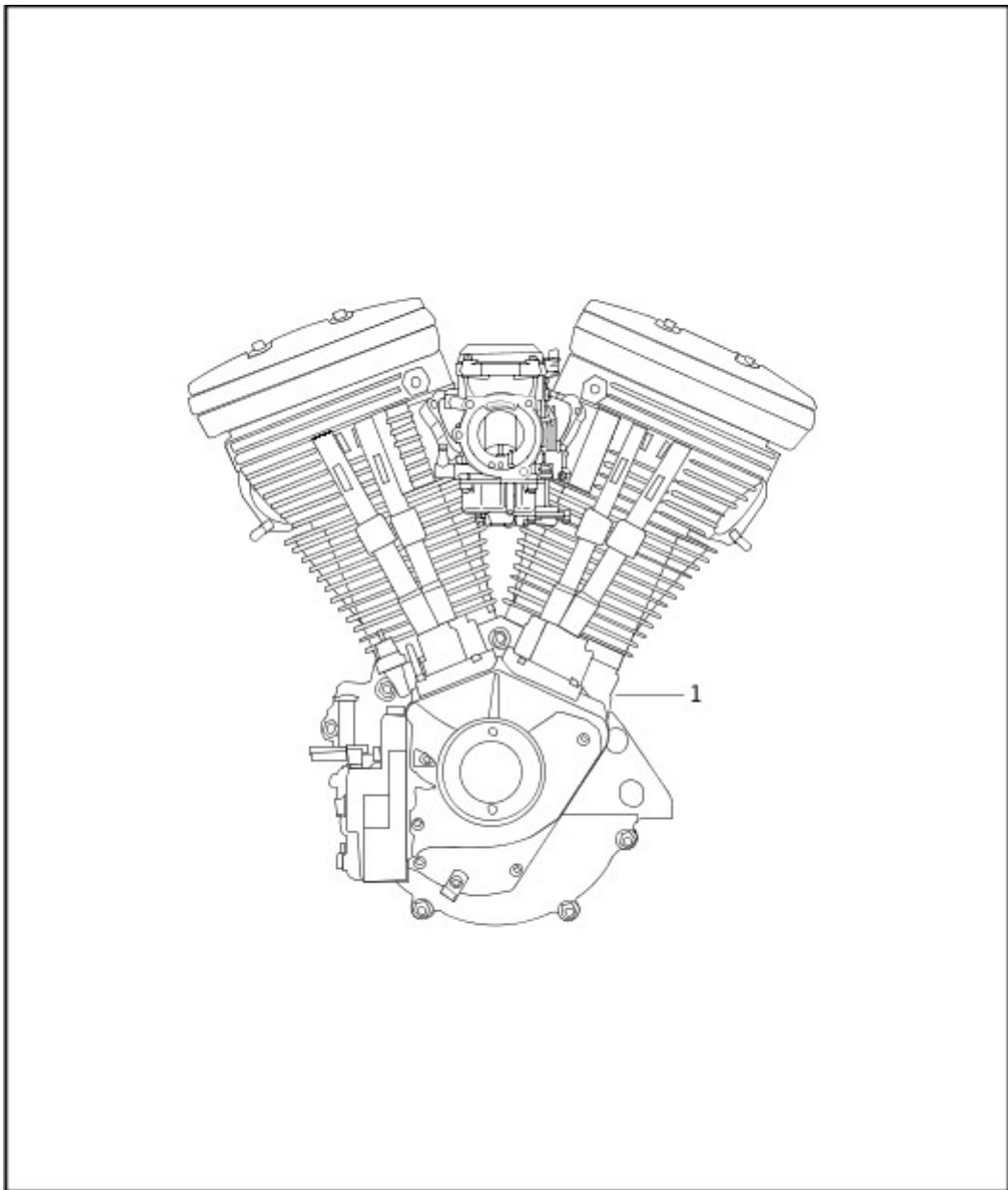
PART NO.	DESCRIPTION
6506	WASHER 1-13/32 X 2-3/32 X 1/16 (bronze)
6516HW	WASHER 7/16 X 1-1/8 X 1/8
6590HW	WASHER 1/2 X 1-1/8 X 3/32
6655	WASHER 5/8 X 1-1/2 X 7/64
6701	WASHER 3/8 X 13/16 X 1/16
6702	WASHER 5/16 X 11/16 X 1/16
6703	WASHER 1/4 X 5/8 X 1/16
6718	WASHER 1/2 X 1-1/16 X 3/32
6736	WASHER 9/32 X 5/8 X 1/16
6737	WASHER 57/64 X 1-3/64 X 1/32
6762B	WASHER 11/16 X 29/32 X 1/32
6771A	WASHER 5/16 X 1/2 X 1/16
7003	LOCKWASHER 9/16
7038	LOCKWASHER 3/8
7039	LOCKWASHER 7/16
7041	LOCKWASHER 5/16
7042	LOCKWASHER 5/16 high collar
7045	LOCKWASHER 3/8 high collar
7068	LOCKWASHER 1/2
7069	LOCKWASHER No. 10
7127	LOCKWASHER 5/16 internal tooth
7130W	LOCKWASHER 3/8 internal tooth
7220	LOCKWASHER No. 10 external tooth
7229W	LOCKWASHER 1/4 internal/external tooth
7481	ACORN NUT 5/16-18 X 5/8 X 1/2
7495	NUT M6 X 1.0 flange lock
7507	ACORN NUT 5/16-18 X 11/16 X 1/2 (Grade 2) (chrome)
7515	JAMNUT 7/16 X 1/4 X 11/16 (Grade 2)
7531	LOCKNUT 5/16-18 X 9/32 X 1/2 flange
7549A	ACORN NUT 5/16-18 X 9/16 X 1/2

PART NO.	DESCRIPTION
7554	ACORN NUT 1/2-13
7593	NUT 5/16-24 flange
7601	LOCKNUT 3/8-16 flange
7606	LOCKNUT No. 8-32 X 1/4 X 1/4 hex (chrome)
7626W	LOCKNUT No. 10-32 X 3/16 X 3/8
7629	NUT No. 10-32 X 3/8 keps
7634	NUT No. 10-32 X 1/8 X 5/16 (brass)
7667	NUT 3/8-16 X 9/32 X 9/16 nylon insert
7716	LOCKNUT 1/4-20 X 7/16 flange
7734W	NUT 1/2-20 X 9/16 X 3/4 slotted (Grade 5)
7736	ACORN NUT 5/16-24 X 19/32 X 1/2 (Grade 2) (chrome)
7742	LOCKNUT 1/4-20 X 7/32 X 7/16
7744	JAMNUT 5/16-24 X 3/16 X 1/2 (Grade 2)
7778	LOCKNUT 3/8-16 X 7/16 X 9/16
7783	NUT 3/8-16 X 5/16 X 9/16 (Grade 2)
7792	NUT 1/4-20 X 1/4 (Grade 2)
7796	NUT 5/16-18 X 1/4 external-tooth washer (Grade 2)
7800W	NUT 3/8-24 X 5/16 X 9/16 (Grade 2)
7824	LOCKNUT 1/2-20 X 1/4 (Grade 2)
7838	NUT No. 10-24 keps
7845	NUT 1/2-20 X 7/16 X 3/4 (Grade 2)
7848W	JAMNUT 7/16-20 X 1/4 X 11/16 (Grade 2)
7855W	JAMNUT 3/4-16 X 7/16 X 1-1/8 (Grade 2)
7862	ACORN NUT 3/8-16 (chrome)
7880	NUT 1/2-13 X 7/16 X 3/4 (Grade 2)
7883	NUT 5/16-24 X 1-1/16
7889	NUT No. 6-32 keps
7891	NUT 1/4-20 special plastic
7916A	JAMNUT 5/8-18
7956	NUT 1/2-20 X 1/2 X 3/4
7962	NUT 5/16-18 X 1-11/16

PART NO.	DESCRIPTION
7987	NUT 5/8-18 X 15/16 slotted (Grade 8)
8102	SPEEDNUT 5/16-18
8108	SPEEDNUT 1/4-20
855B	SCREW 3/8-16 X 2 knurled head
856A	SCREW 5/16-24 X 1 socket head (Grade 8)
858A	BOLT 5/16-18 X 3 hex head (Grade 5)
861A	SCREW 3/8-16 X 1 knurled head (Grade 8)
882	SCREW 1/4-20 X 7/8 knurled head, with washer (Grade 8)
891	SCREW 1/4-20 X 1-3/4 socket head (Grade 8)
90770-79	SCREW No. 8-32 X 3/8 Pozidriv head, self-tapping
919	SCREW 1/4-28 X 3/4 socket button head (Grade 8)
925	SCREW 1/4-28 X 5/8 socket button head (Grade 8)
928	BOLT M5 X 0.8 X 35.2 hex head
929A	SCREW M4 X 0.7 X 11.8 flange head
941	SCREW 1/4-20 X 5/8 socket button head (Grade 8)
942	SCREW 1/4-20 X 3/4 TORX button head, with lockpatch (Grade 8)
945	SCREW 1/4-20 X 2-1/2 TORX button head (Grade 8)
946	SCREW 1/4-20 X 2-1/4 socket button head, with lockpatch (Grade 8)

New Parts List

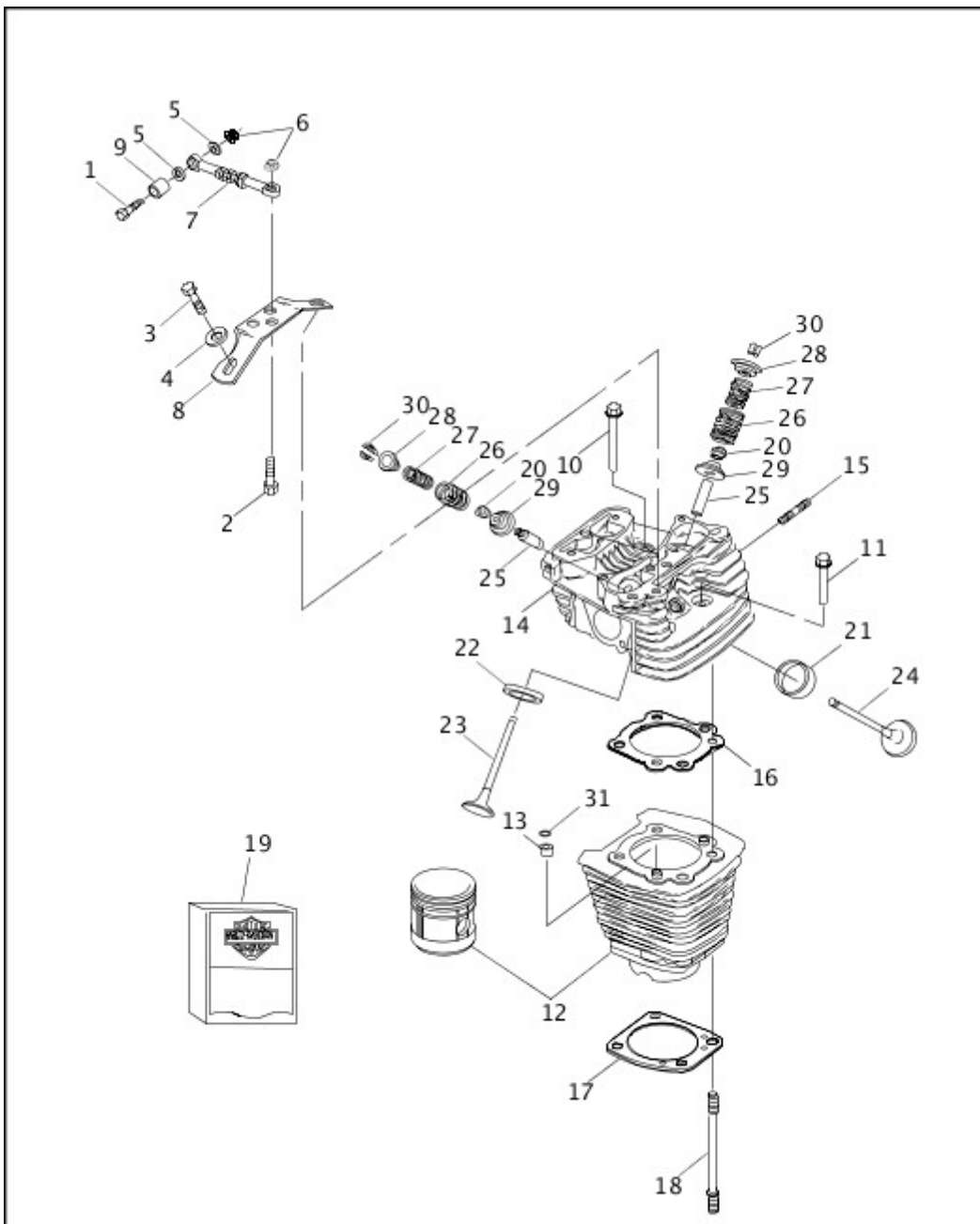
**ENGINE**



[View interactive table](#)

INDEX NO.	PART NO.	DESCRIPTION	MODEL(S)
1	16165-98	ENGINE ASSEMBLY, complete (chrome and black)	FXDL, FXDS CONV, FXDWG
	16166-98	ENGINE ASSEMBLY, complete (chrome and black) (California)	FXDL, FXDS CONV, FXDWG
	16174-98	ENGINE ASSEMBLY, complete	FXD
	16175-98	ENGINE ASSEMBLY, complete (California)	FXD
	16167-98	ENGINE ASSEMBLY, complete (chrome and black) (HDI)	FXDL, FXDS CONV, FXDWG
	16178-98	ENGINE ASSEMBLY, complete (HDI)	FXD

## [CYLINDERS, VALVES & HEADS - V2™ EVOLUTION](#)

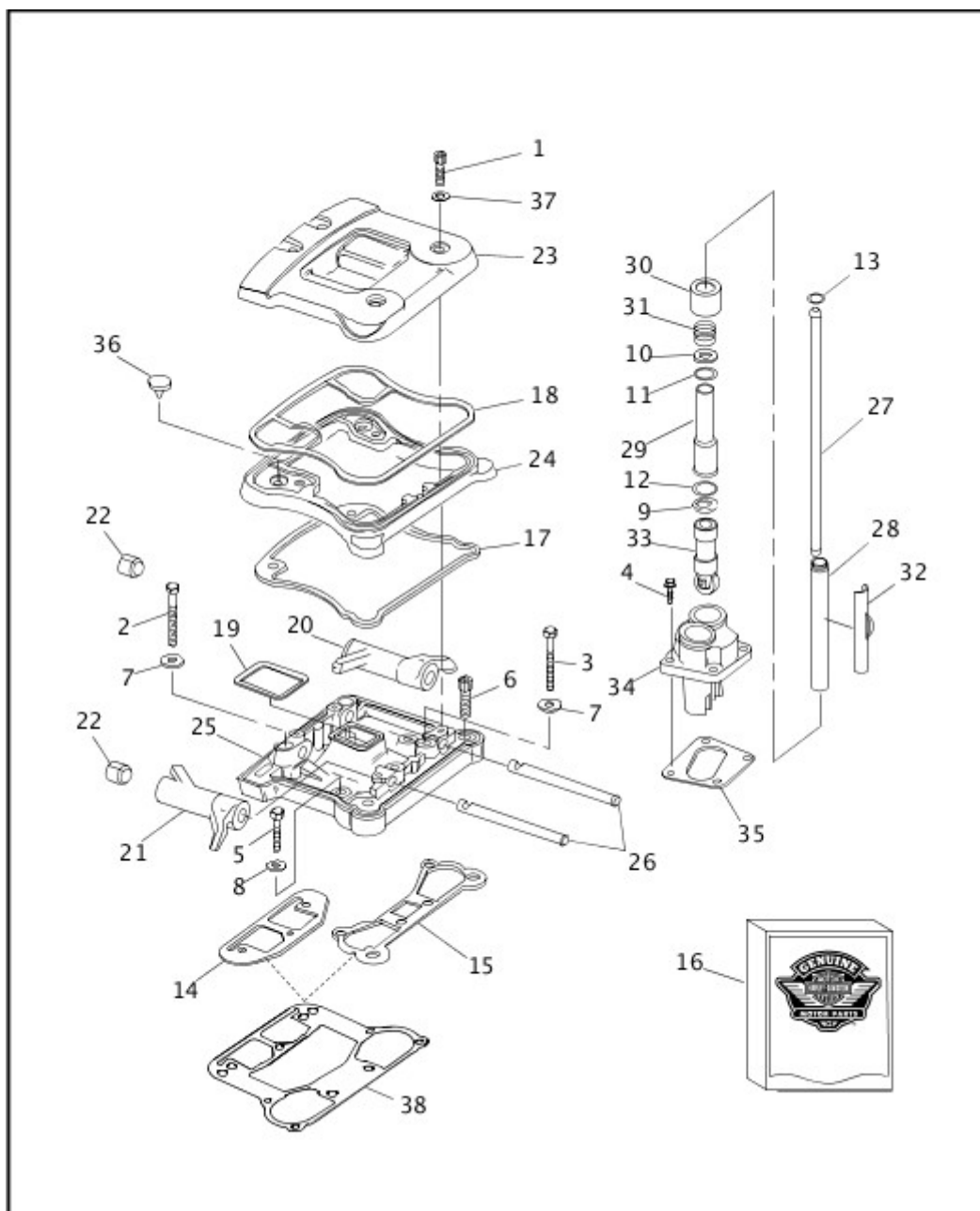


[View interactive table](#)

INDEX NO.	PART NO.	DESCRIPTION	MODEL(S)
7	16258-95C	STABILIZER LINK, top	ALL
11	16480-92A	SCREW, internal thread (4)	ALL
13	16573-83A	INSERT, cylinder stud (4)	ALL
	16692-95	HEAD, front cylinder, w/ guides & seats (black)	FXDL, FXDS CONV, FXDWG
16	16770-84F	GASKET, cylinder head (2)	ALL
23	18074-83B	INTAKE VALVE (2)	ALL
24	18082-83A	EXHAUST VALVE (2)	ALL
25	18101-83D	VALVE GUIDE, intake & exhaust (4)	ALL
	18130-83D	VALVE GUIDE, intake & exhaust, 0.001 O.S. (4)	ALL
	18131-83D	VALVE GUIDE, intake & exhaust, 0.003 O.S. (4)	ALL

INDEX NO.	PART NO.	DESCRIPTION	MODEL(S)
	18133-83B	VALVE GUIDE, intake & exhaust, 0.002 O.S. (4)	ALL
28	18219-83A	COLLAR, valve spring, upper (4)	ALL
29	18222-83A	COLLAR, valve spring, lower (4)	ALL
30	18229-83A	RETAINER, valve collar (8)	ALL

## ROCKER ARMS, COVERS & PUSHRODS - V2™ EVOLUTION



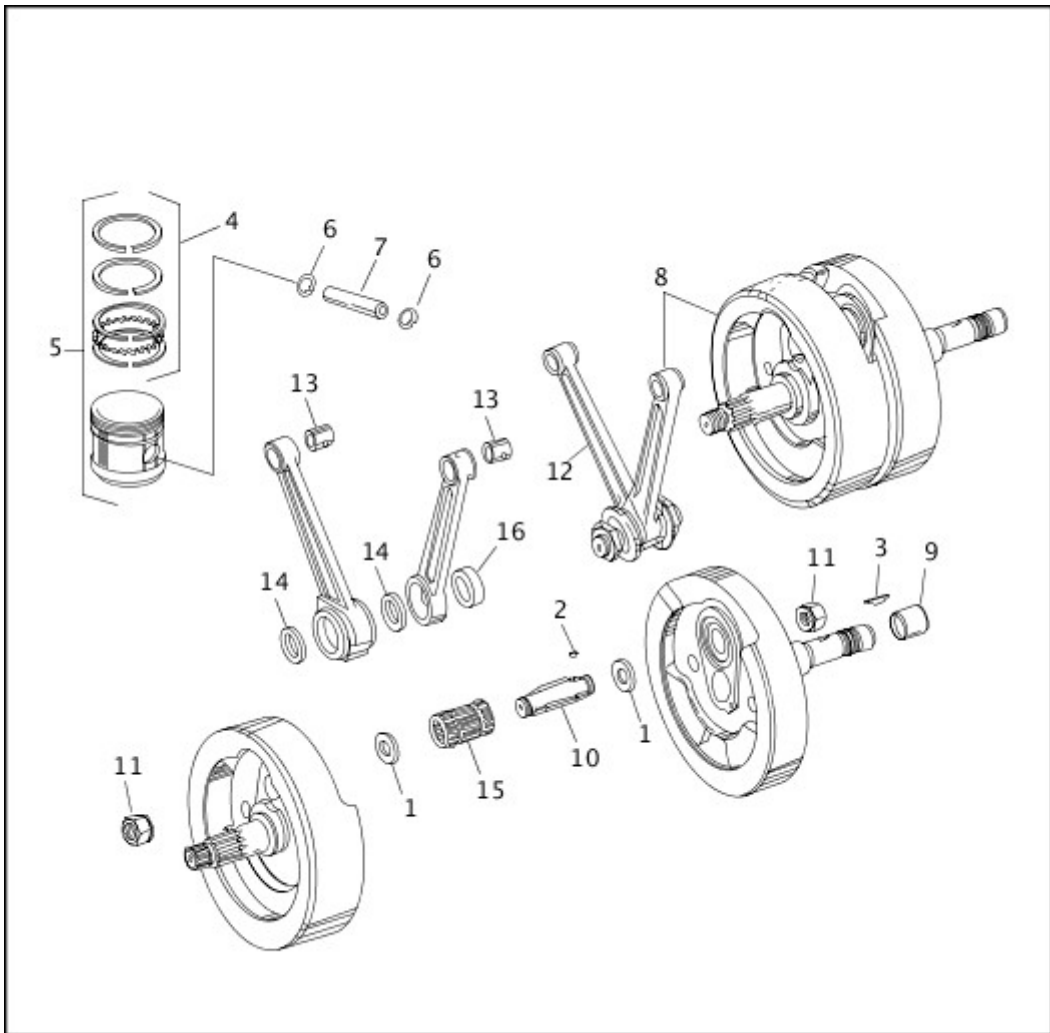
[View interactive table](#)

INDEX NO.	PART NO.	DESCRIPTION	MODEL(S)
2	3500A	BOLT (4)	ALL



INDEX NO.	PART NO.	DESCRIPTION	MODEL(S)
3	3501A	BOLT (4)	ALL
5	3849	SCREW (6)	ALL
6	4718A	SCREW (4)	ALL
11	11132A	O-RING, pushrod cover (4)	ALL
12	11145A	O-RING, pushrod cover (4)	ALL
17	17355-92A	GASKET, rocker cover, lower (2)	ALL
18	17356-92A	GASKET, rocker cover, upper (2)	ALL
19	17358-84B	GASKET, rocker cover, inner (2)	ALL
22	17429-91	BEARING, rocker arm (8)	ALL
27	17921-83A	PUSHROD, rear exhaust, 11.210 inch	ALL
	17924-83A	PUSHROD, rear intake, 11.045 inch	ALL
	17927-83A	PUSHROD, front exhaust, 11.325 inch	ALL
	17930-83A	PUSHROD, front intake, 11.090 inch	ALL
33	18523-86B	TAPPET, w/ roller (4)	ALL
36	26856-89A	VALVE, umbrella	ALL
38	16800-84A	GASKET, rocker cover/cylinder head, valve & push rod sides (replaces 16778-84A & 16779-84B) (8)	ALL

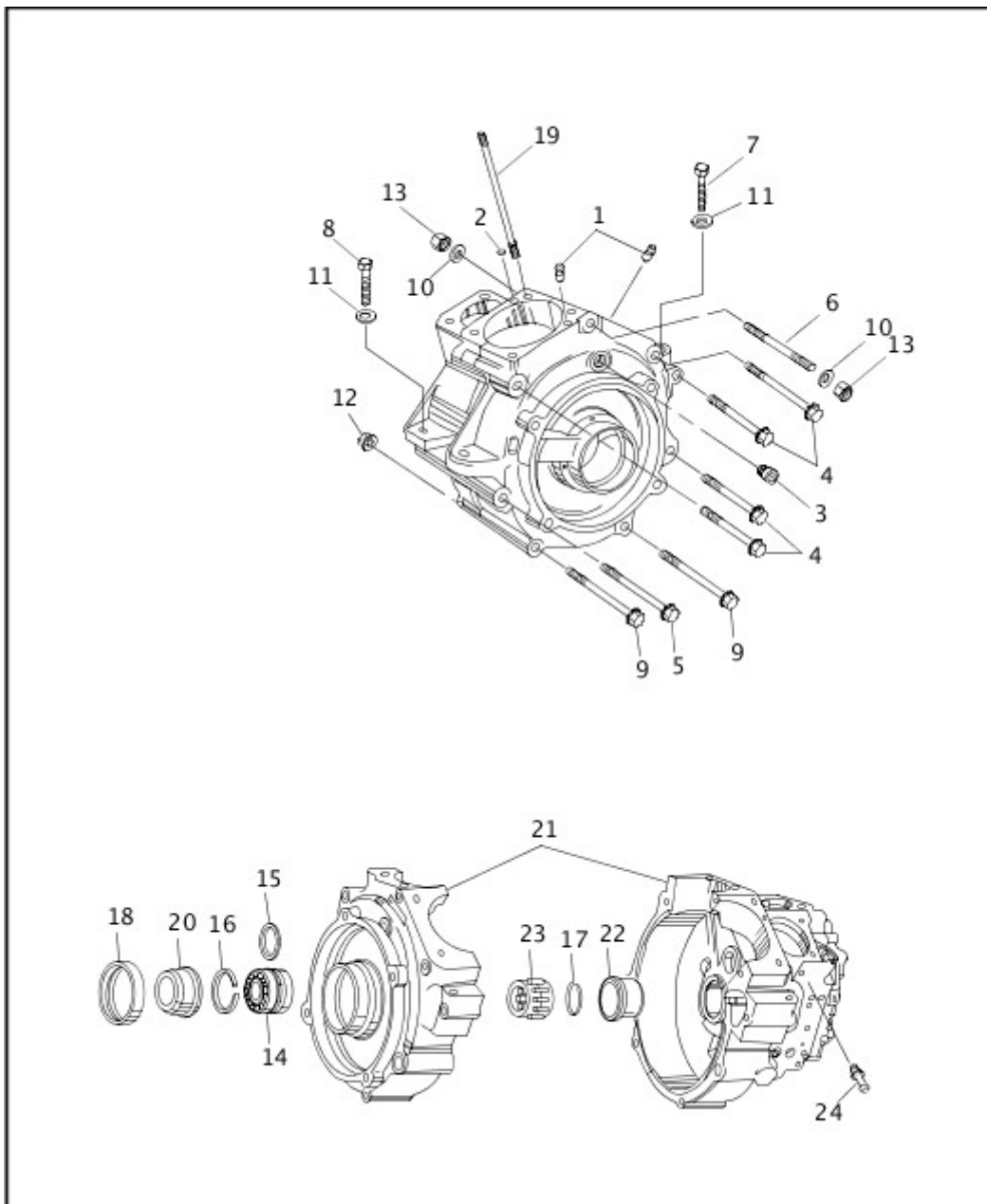
## **PISTONS, CONNECTING RODS & FLYWHEELS**



[View interactive table](#)

INDEX NO.	PART NO.	DESCRIPTION	MODEL(S)
6	22589-83B	LOCK RING, piston pin (4)	ALL
11	23981-98	NUT, crank pin (2)	ALL

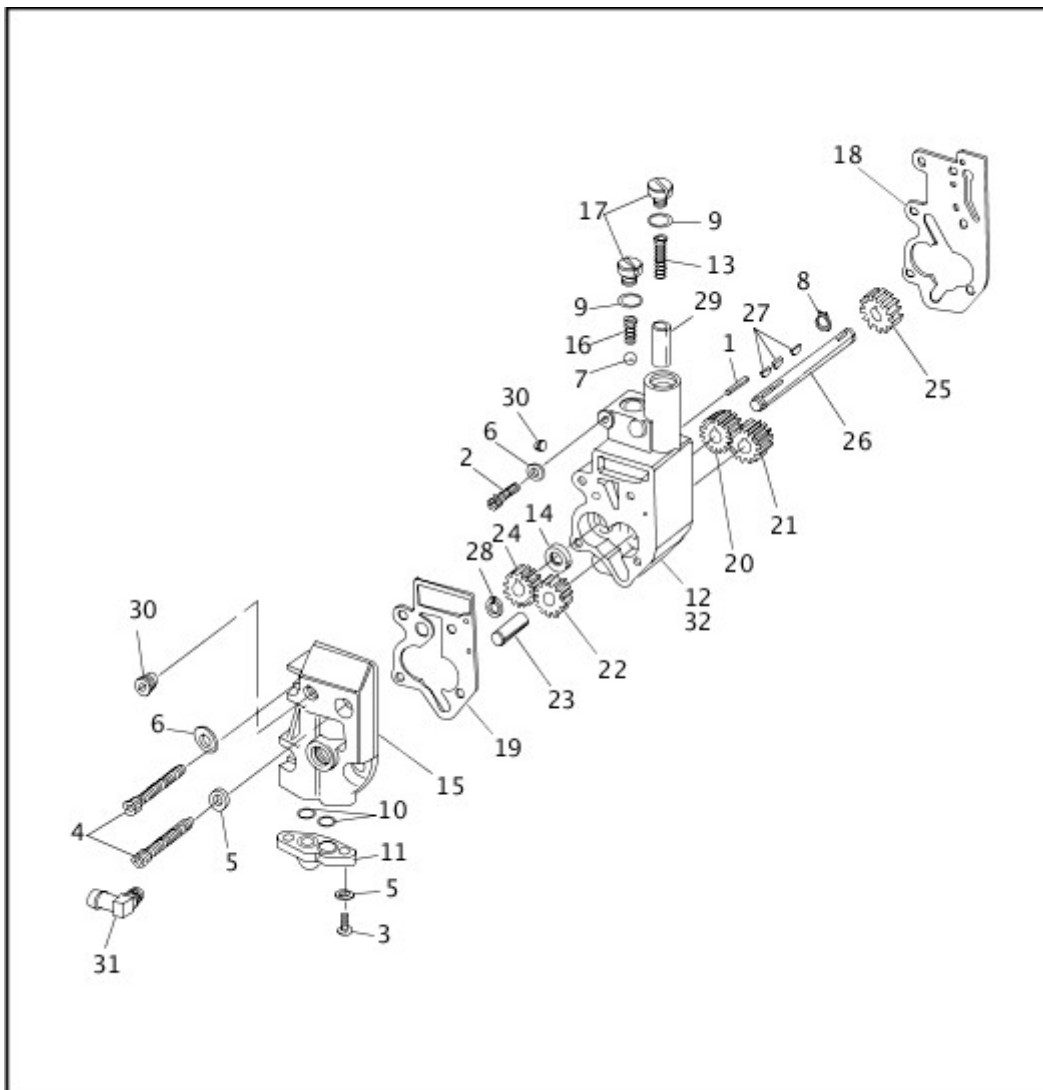
## [CRANKCASE](#)



[View interactive table](#)

INDEX NO.	PART NO.	DESCRIPTION	MODEL(S)
	24572-93A	SET OF CRANKCASES	FXD
24	63533-41A	FITTING, oil hose	ALL

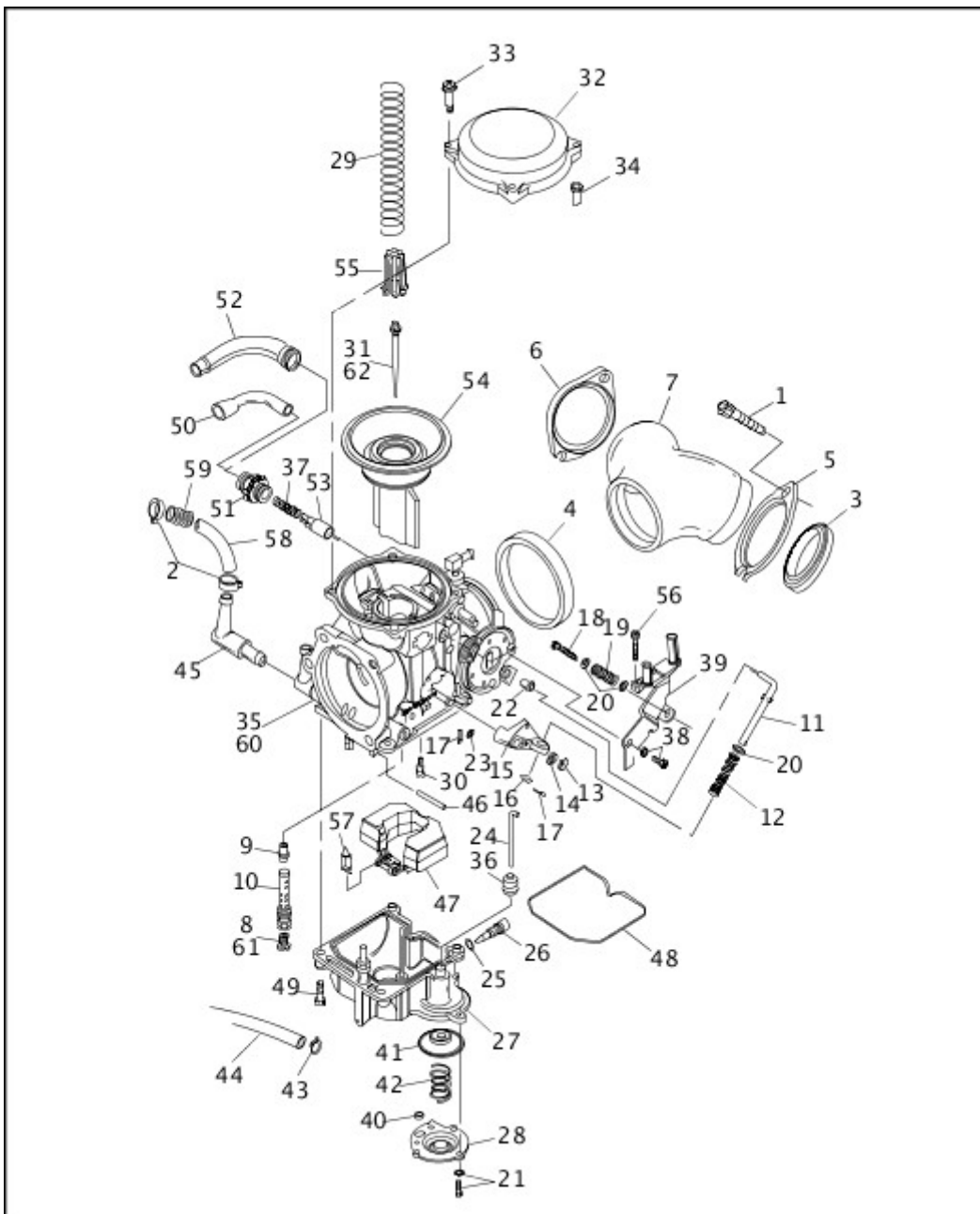
## [OIL PUMP](#)



[View interactive table](#)

INDEX NO.	PART NO.	DESCRIPTION	MODEL(S)
29	26400-82B	VALVE, oil pump	ALL

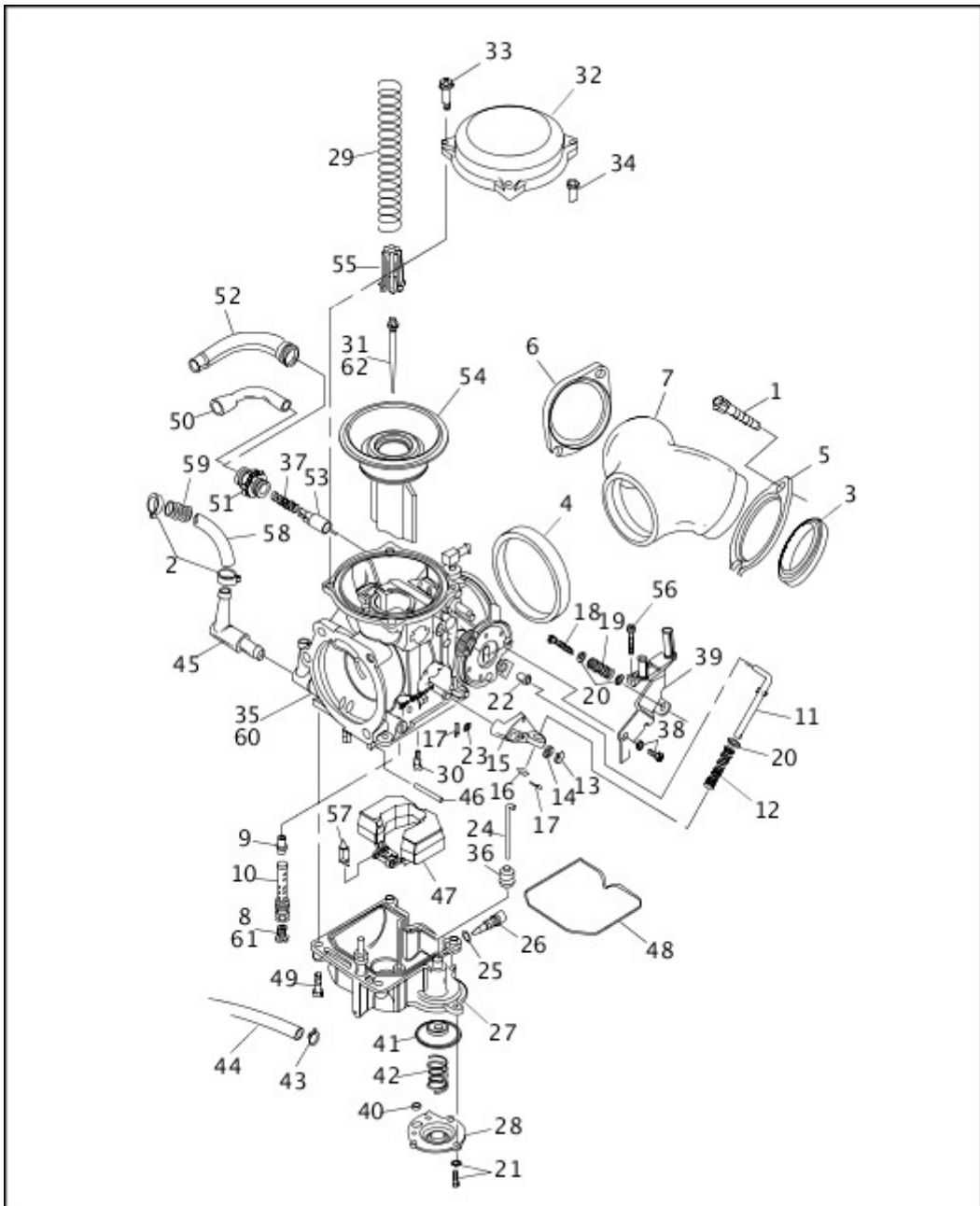
**[CARBURETOR \(1 OF 2\)](#)**



[View interactive table](#)

INDEX NO.	PART NO.	DESCRIPTION	MODEL(S)
3	26995-86B	SEAL, intake manifold (2)	ALL
7	27019-89A	MANIFOLD	ALL
12	27123-89A	SPRING	ALL
19	27136-90A	SPRING	ALL
35	27492-96B	CARBURETOR	ALL

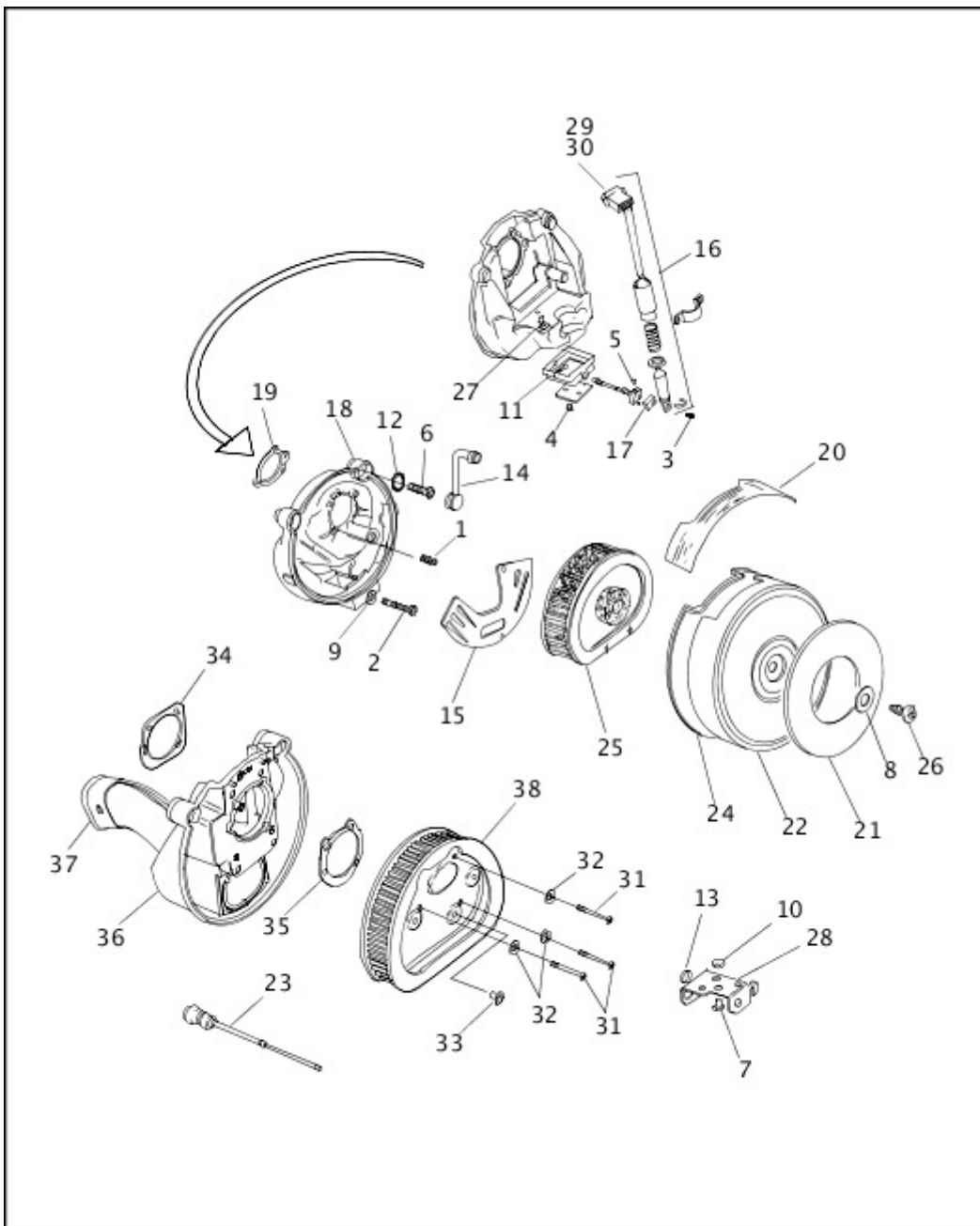
**[CARBURETOR \(2 OF 2\)](#)**



[View interactive table](#)

INDEX NO.	PART NO.	DESCRIPTION	MODEL(S)
41	27361-76A	DIAPHRAGM, accelerator pump	ALL
45	27371-76A	FITTING	ALL
58	63501-68B	HOSE, 1/4 inch I.D. (black) (25 feet)	ALL
59	62555-95	INSULATOR, 1/2 inch I.D. (nylon) (8 feet)	ALL

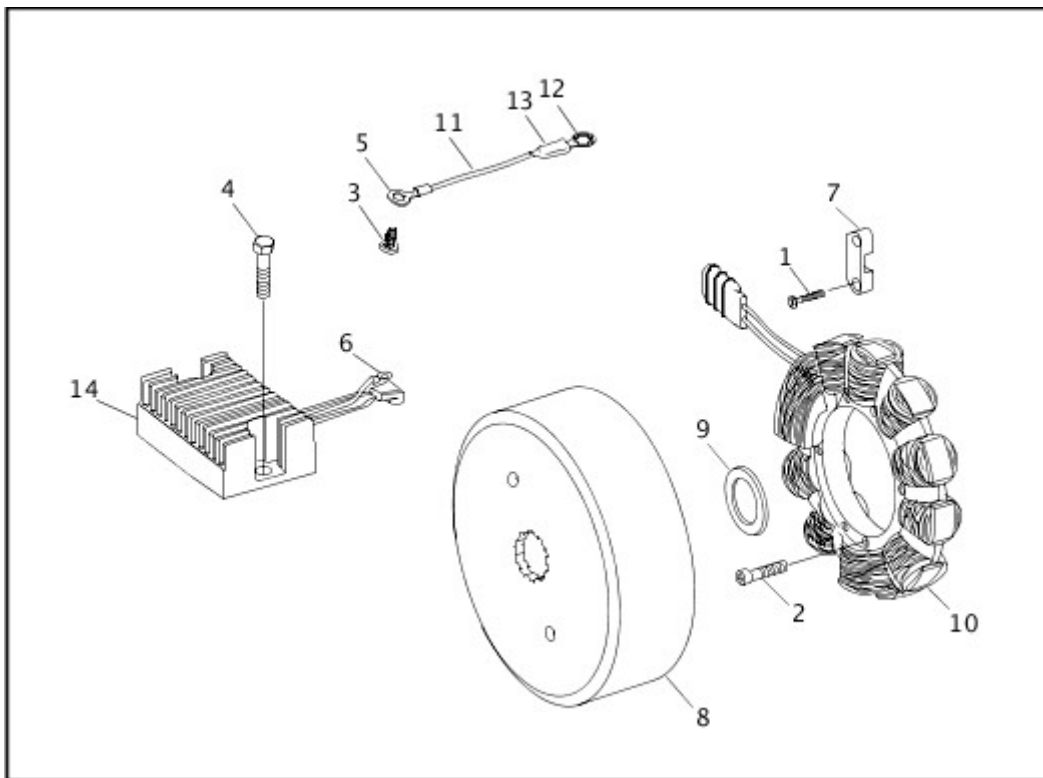
## [AIR CLEANER & ENRICHENER](#)



[View interactive table](#)

INDEX NO.	PART NO.	DESCRIPTION	MODEL(S)
1	864A	SCREW (3)	ALL
16	28827-96A	SOLENOID (California)	ALL
20	29126-90B	SAFETY LABEL	ALL
23	29229-88D	CABLE, enrichment	ALL
34	29062-95B	GASKET (HDI)	ALL
36	29319-95A	BACKPLATE, w/ 29323-95 (HDI)	ALL

## **ALTERNATOR & REGULATOR**

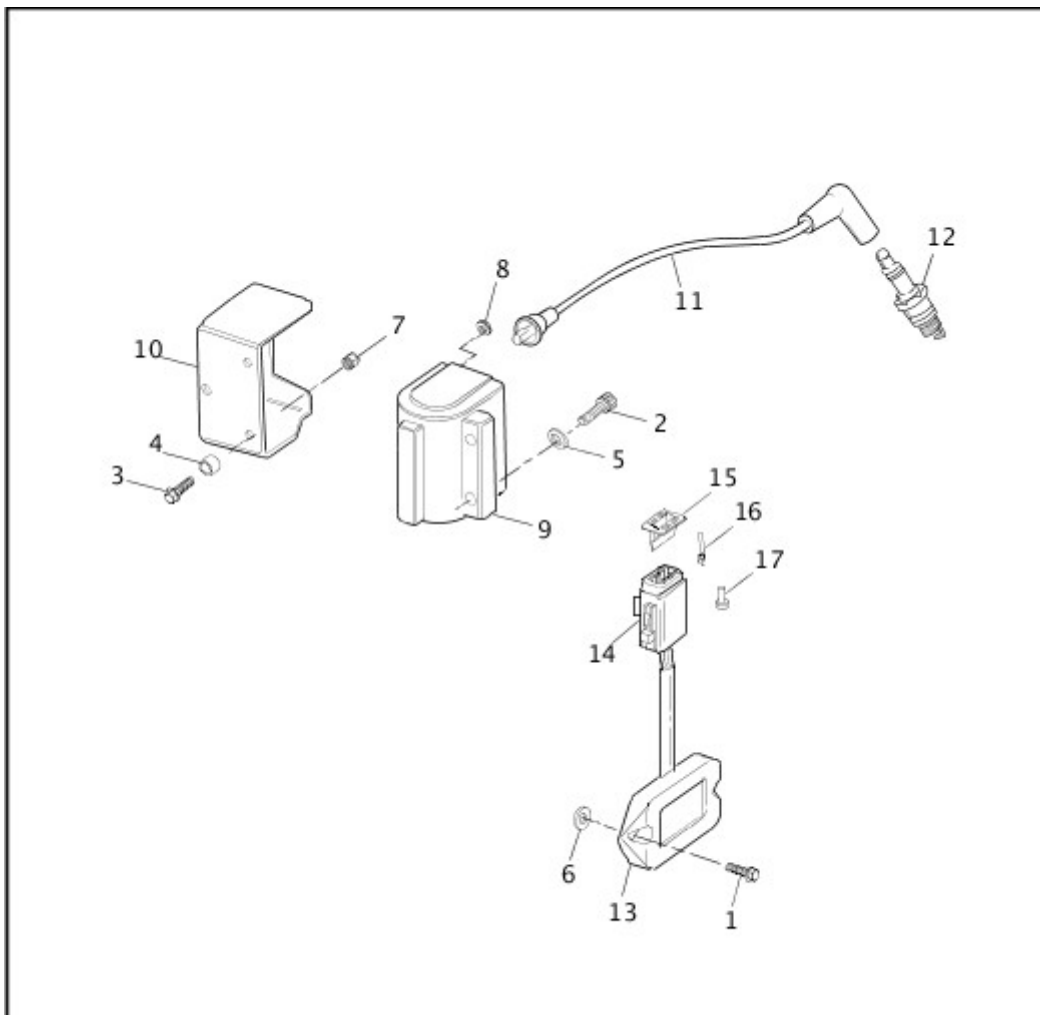


[View interactive table](#)

INDEX NO.	PART NO.	DESCRIPTION	MODEL(S)
1	2273A	SCREW (2)	ALL
10	29970-88D	STATOR	ALL

## [IGNITION MODULE & COIL](#)

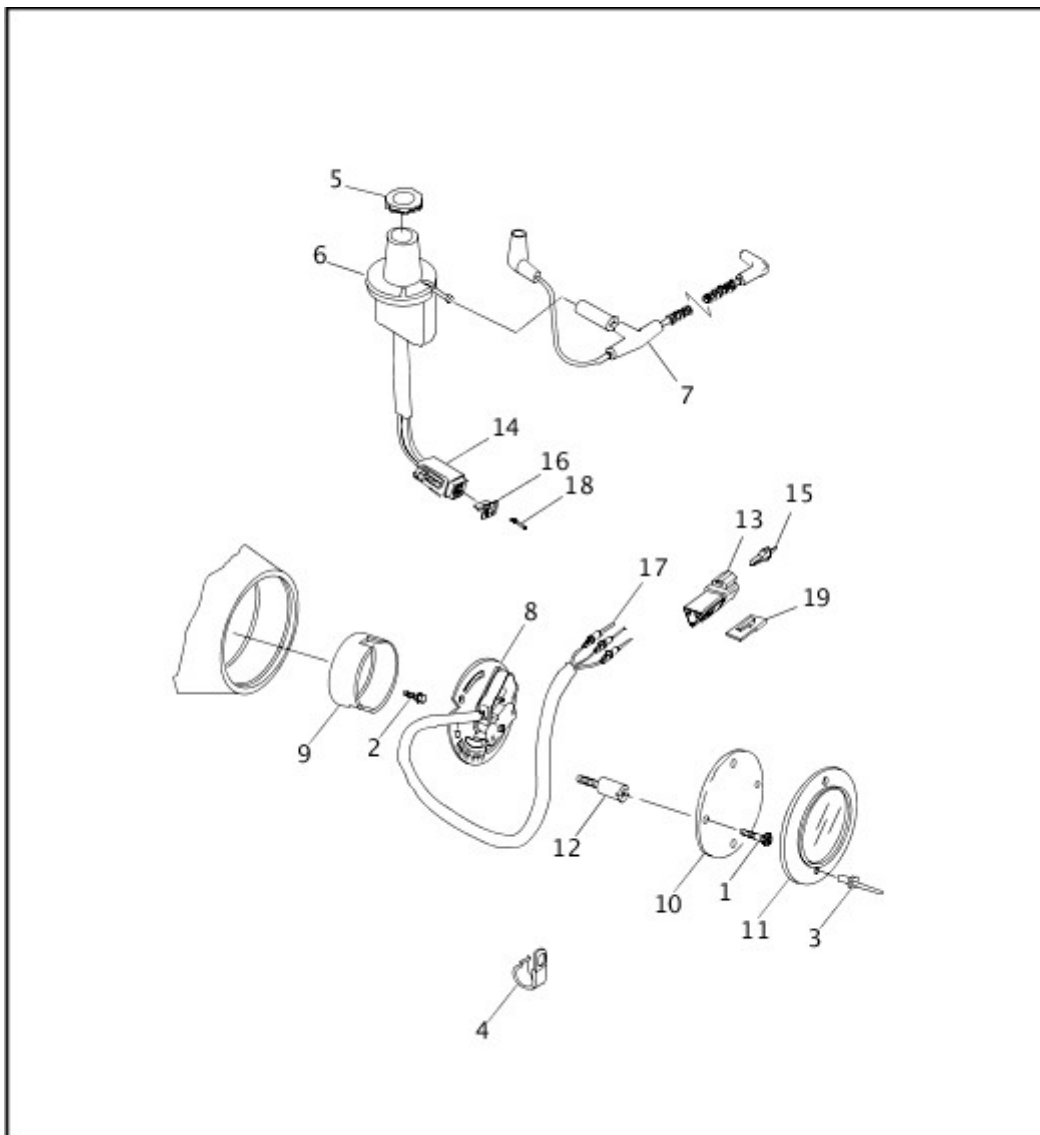




[View interactive table](#)

INDEX NO.	PART NO.	DESCRIPTION	MODEL(S)
2	3601	SCREW (2)	ALL
11	31981-94A	SPARK PLUG CABLE, front cylinder	ALL
	31983-71C	SPARK PLUG CABLE, rear cylinder	ALL
13	32449-95C	IGNITION MODULE, w/ connector assembly	ALL

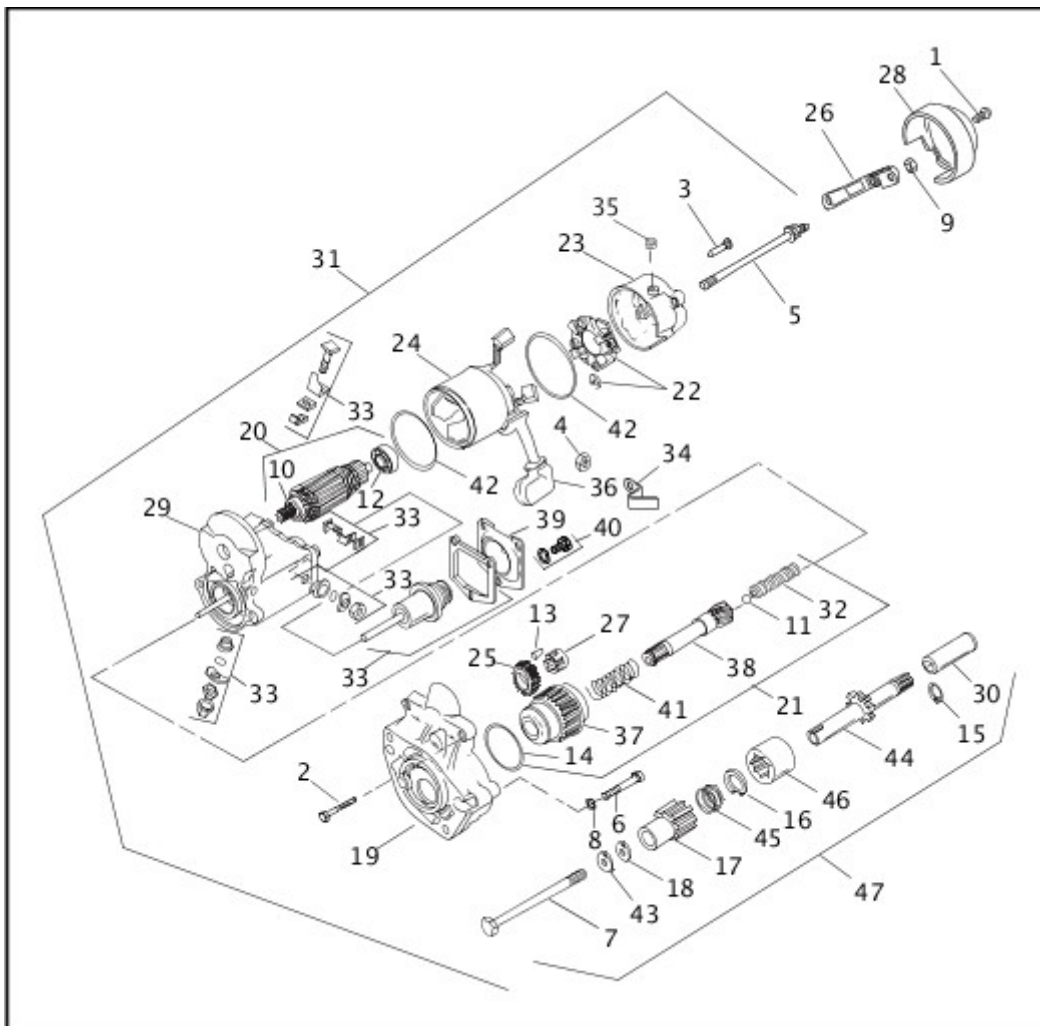
## [CAM POSITION SENSOR & VACUUM SWITCH](#)



[View interactive table](#)

INDEX NO.	PART NO.	DESCRIPTION	MODEL(S)
2	2611C	BOLT	ALL
8	32404-96A	SENSOR ASSEMBLY, cam position/vehicle attitude	ALL
10	32504-80A	TIMER COVER, inner	ALL

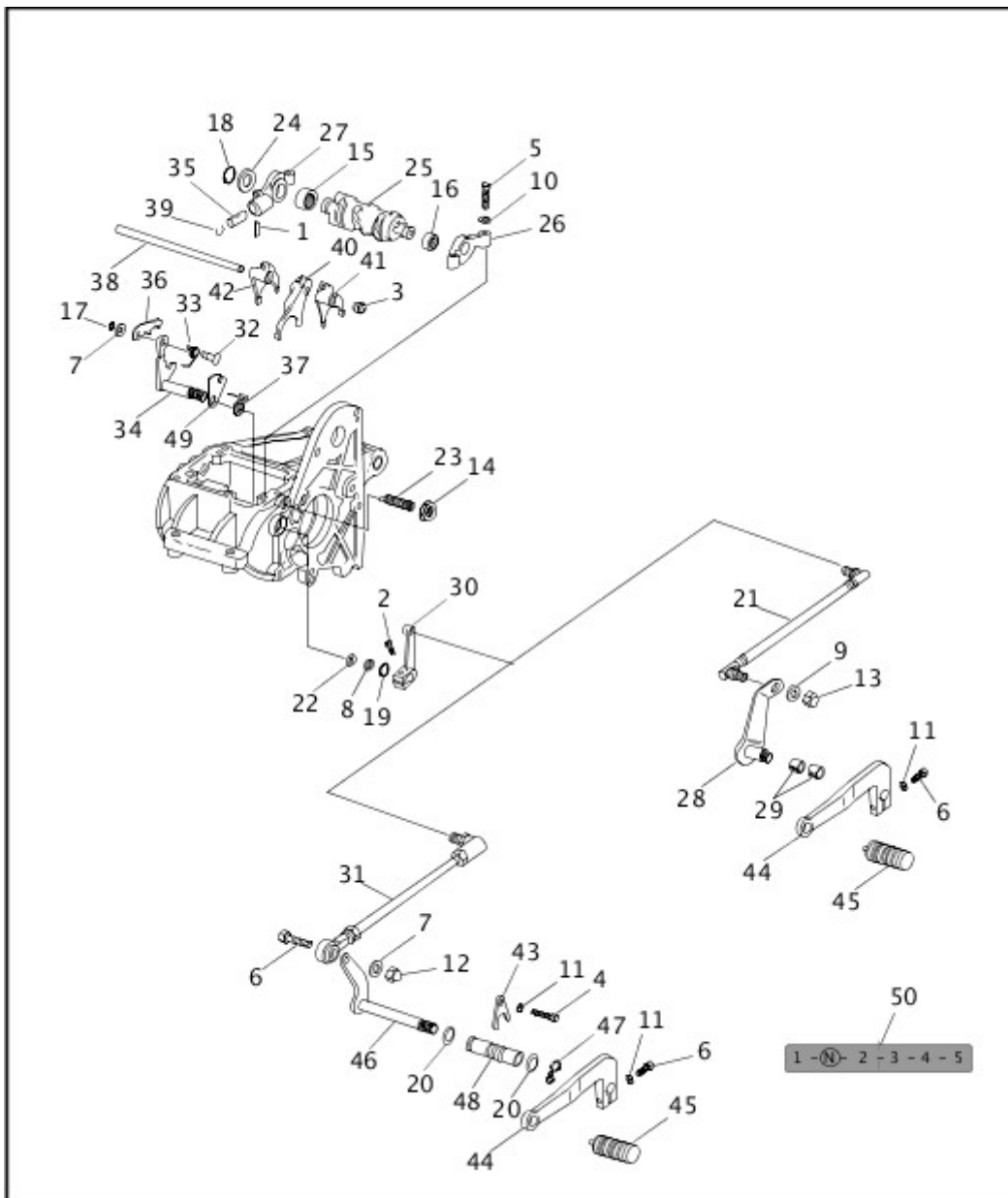
## [STARTER MOTOR](#)



[View interactive table](#)

INDEX NO.	PART NO.	DESCRIPTION	MODEL(S)
21	31516-94A	CLUTCH ASSEMBLY, starter, w/ 8879, 10957, 31600-90, 31664-94 & 31692-90	ALL
31	31553-94B	STARTER, complete	ALL
33	31604-91A	STARTER REPAIR KIT	ALL
34	31693-90	CLIP, cable	ALL
47	31612-09	KIT, JACKSHAFT	ALL

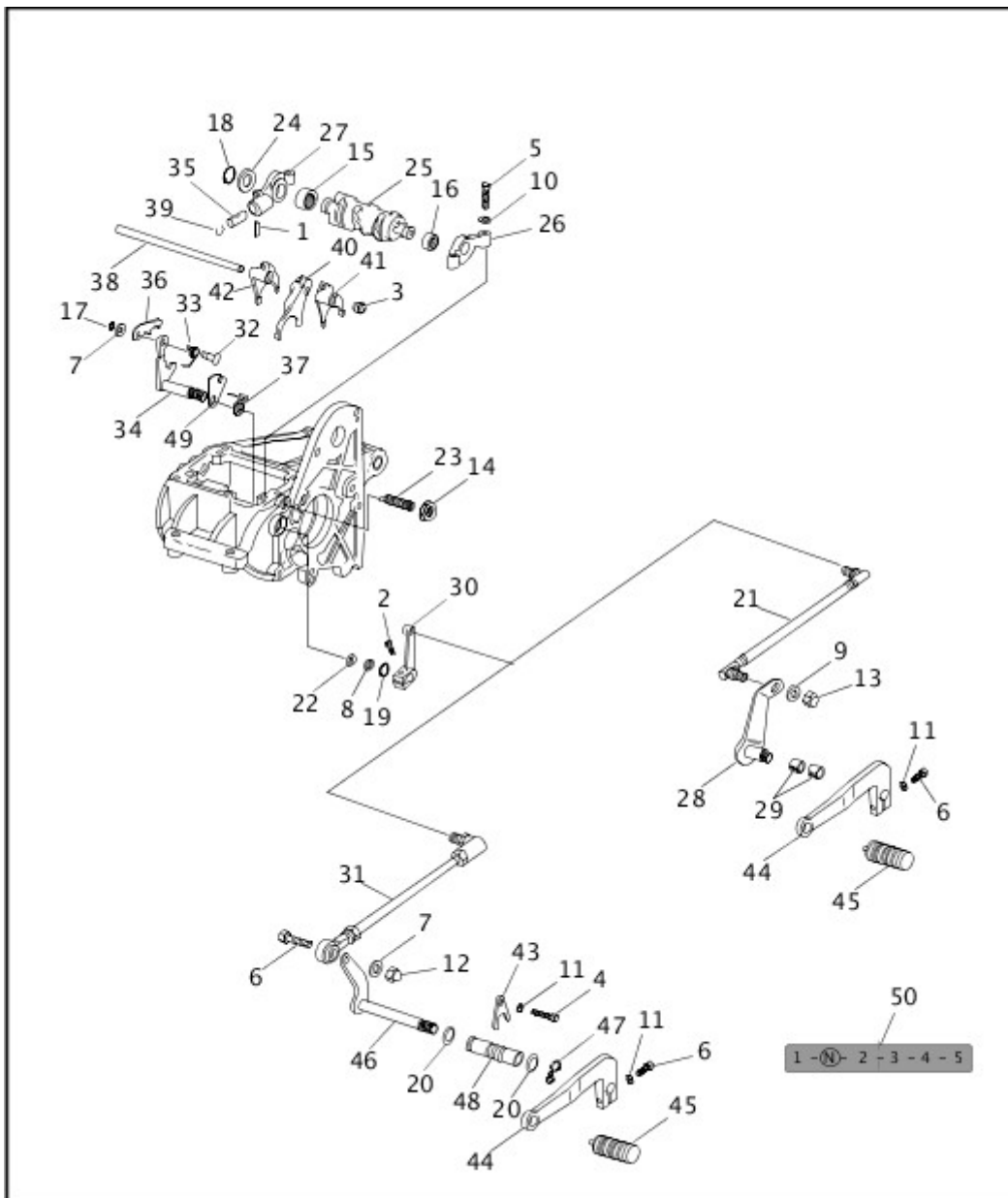
## [GEAR SHIFTER \(1 OF 2\)](#)



[View interactive table](#)

INDEX NO.	PART NO.	DESCRIPTION	MODEL(S)
20	11117A	O-RING, sleeve (2)	FXD, FXDL, FXDS CONV
21	11739B	SHIFTER ROD	FXDWG
25	33320-98	SHIFTER CAM	ALL

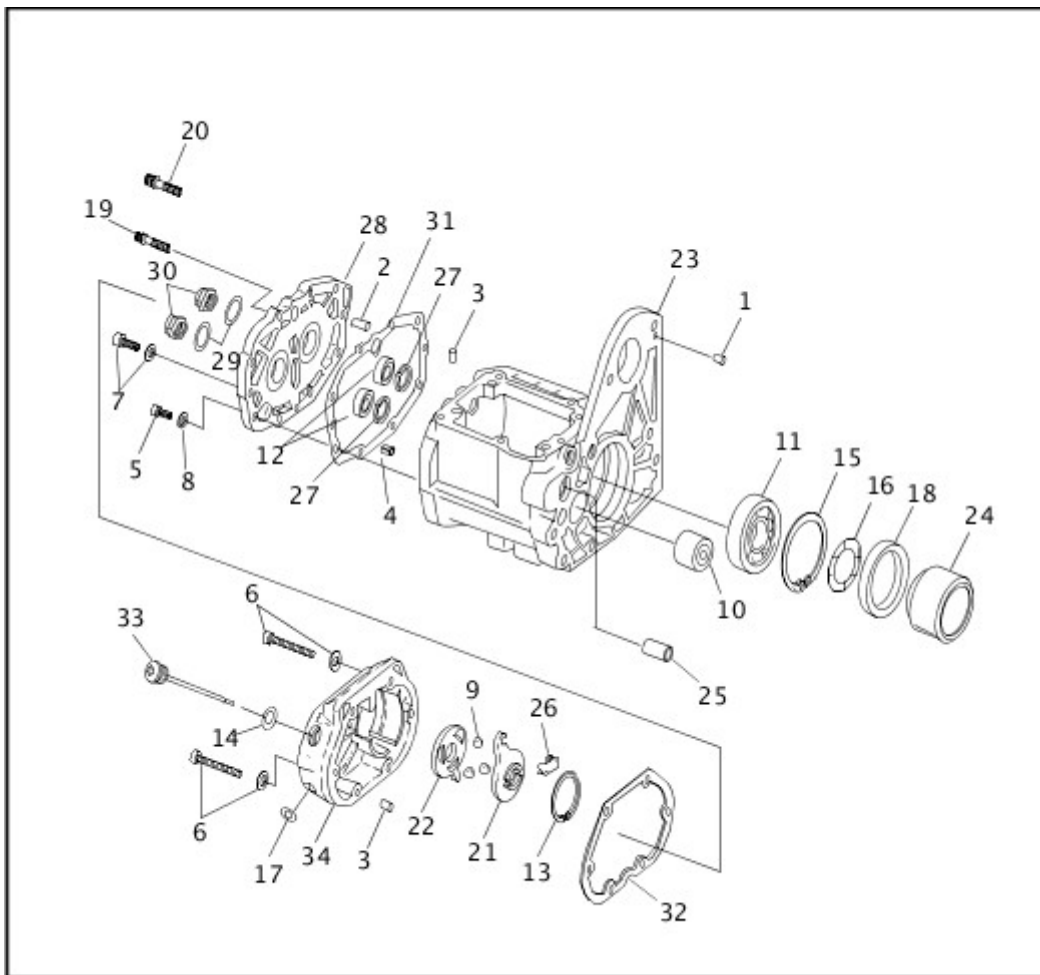
## [GEAR SHIFTER \(2 OF 2\)](#)



[View interactive table](#)

INDEX NO.	PART NO.	DESCRIPTION	MODEL(S)
31	33728-90B	SHIFTER ROD	FXD, FXDL, FXDS CONV
34	34084-86A	LEVER, shifter shaft, w/ 34082-79 & 34083-79	ALL
38	34088-87A	SHAFT, shifter fork	ALL
40	34191-79E	SHIFTER FORK	ALL
41	34193-79E	SHIFTER FORK	ALL
42	34195-79E	SHIFTER FORK	ALL
44	34564-90B	SHIFT LEVER (chrome)	ALL
45	34611-65A	PEG, shift lever	ALL
48	34632-84B	SLEEVE, shift lever	FXD, FXDL, FXDS CONV

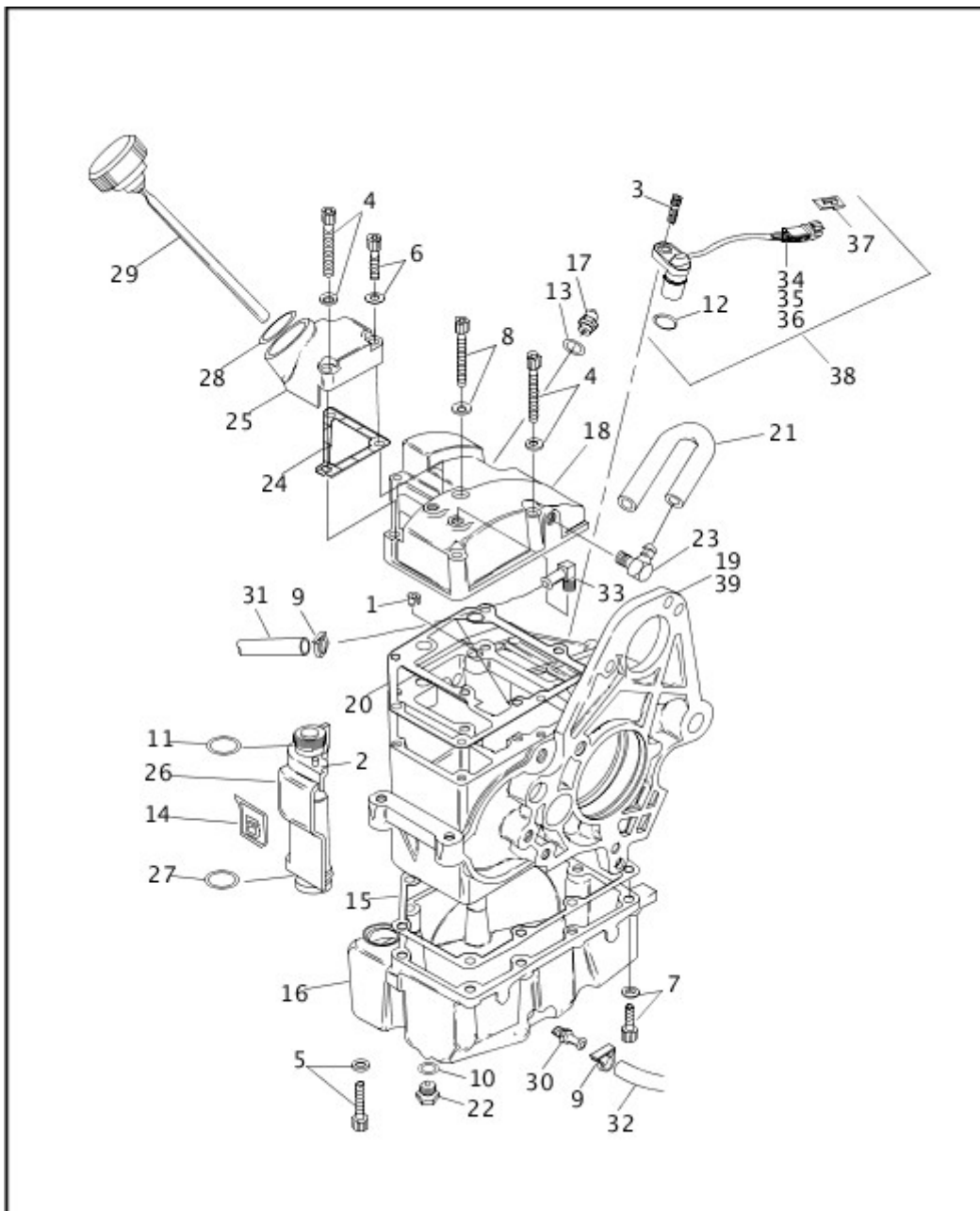
## [TRANSMISSION BEARINGS & SIDE COVERS](#)



[View interactive table](#)

INDEX NO.	PART NO.	DESCRIPTION	MODEL(S)
14	11132A	O-RING, filler plug	ALL
18	12067B	OIL SEAL	ALL
19	16708-95A	STUD	ALL
23	33038-98	TRANSMISSION (chrome & black)	FXDL, FXDS CONV, FXDWG
	33062-98	TRANSMISSION	FXD
26	34920-86A	COUPLING	ALL
28	35250-90D	BEARING HOUSING ASSEMBLY, w/ 3, 12 & 27 (plain)	FXD
	35260-90C	BEARING HOUSING, w/ 3, 12 & 27 (black)	FXDL, FXDS CONV, FXDWG
32	36801-87C	GASKET, right side cover	ALL
34	37081-99	CLUTCH RELEASE COVER (polished)	FXD

## [TRANSMISSION HOUSING & OIL TANK](#)

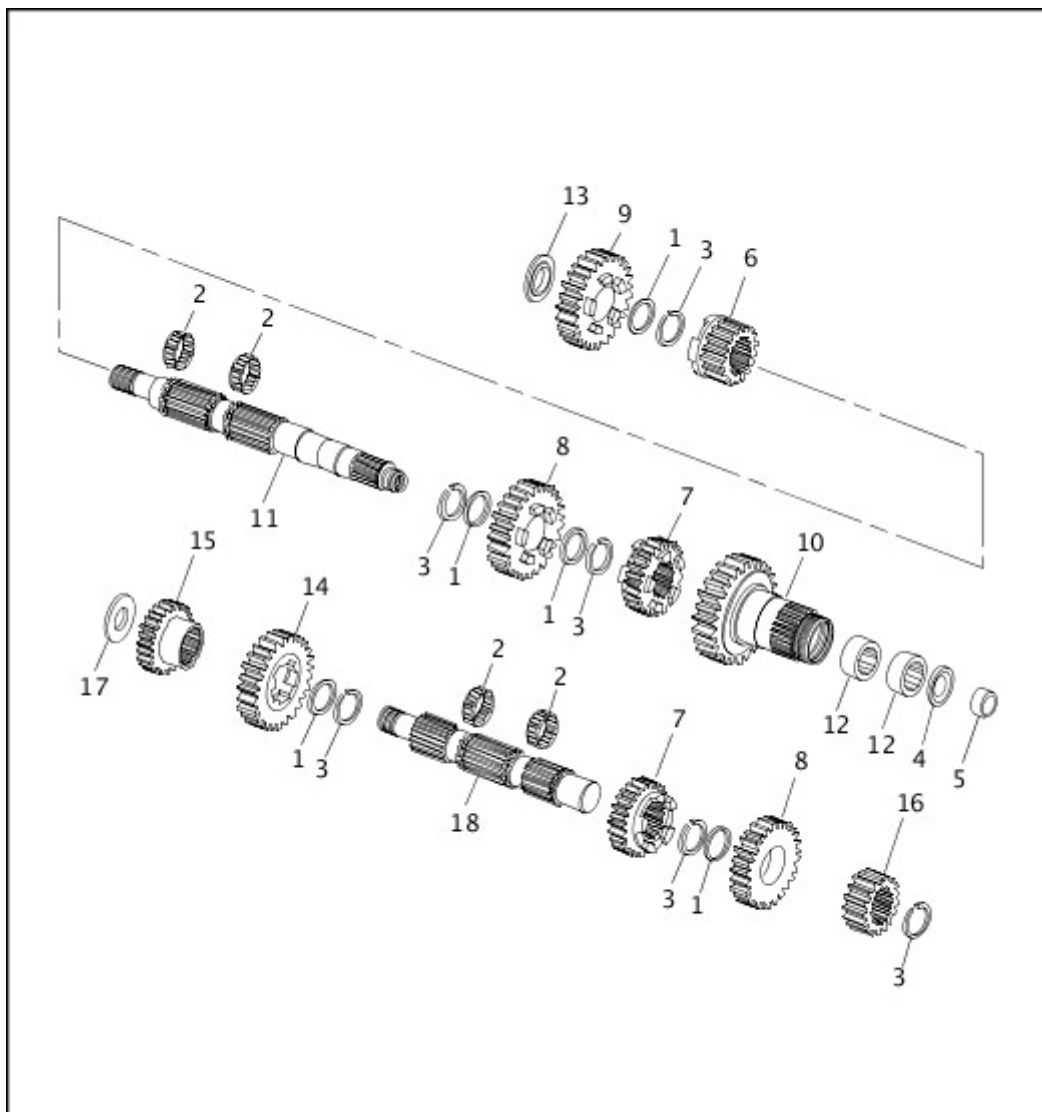


View interactive table

INDEX NO.	PART NO.	DESCRIPTION	MODEL(S)
11	11132A	O-RING	ALL
17	33902-98A	SWITCH, neutral indicator	ALL
18	34469-98	COVER, upper (chrome)	FXDL, FXDS CONV, FXDWG
	34478-98	COVER, upper (polished)	FXD
23	62375-57A	FITTING, elbow	ALL
30	63533-41A	FITTING, oil hose	ALL
	74420-94C	SPEED SENSOR, w/ 11289A, 72143-94, 72163-94BK, 72194-94 & 72199-94 (replaces 74420-94)	ALL

INDEX NO.	PART NO.	DESCRIPTION	MODEL(S)
39	33038-98	TRANSMISSION (chrome & black)	FXDL, FXDS CONV, FXDWG
	33062-98	TRANSMISSION	FXD

## TRANSMISSION GEARS

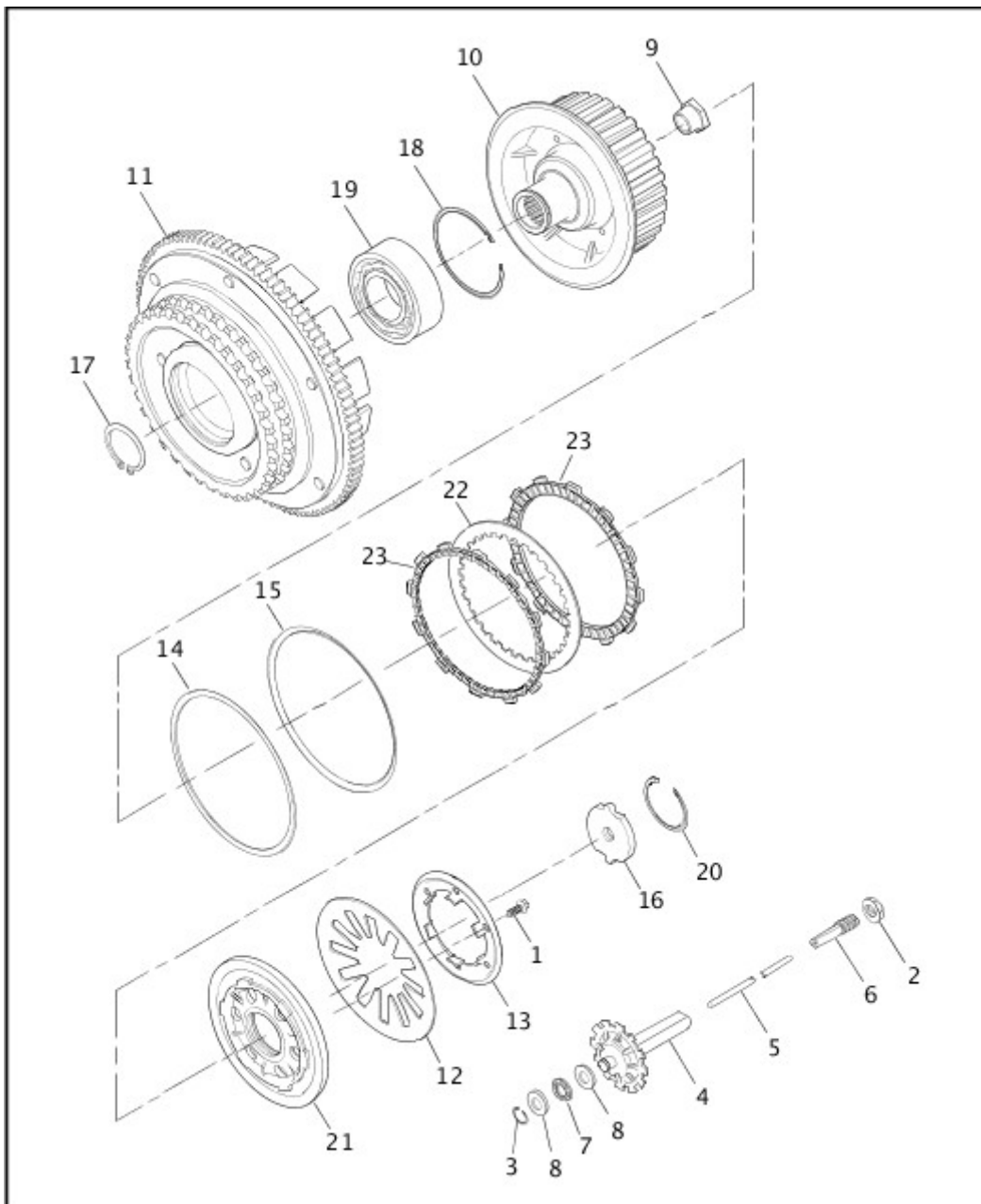


[View interactive table](#)

INDEX NO.	PART NO.	DESCRIPTION	MODEL(S)
5	34091-85A	BEARING, inner race	ALL
12	35051-89A	NEEDLE BEARING (2)	ALL

## CLUTCH

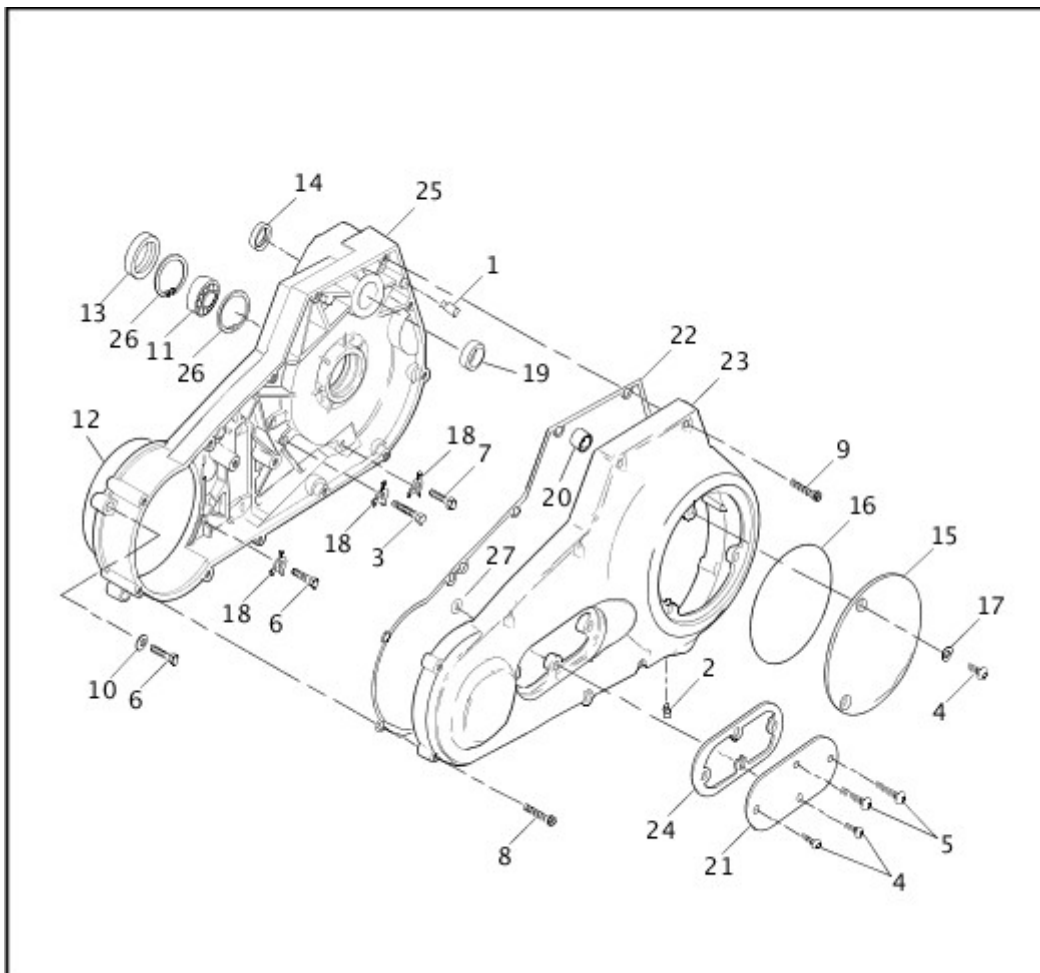




[View interactive table](#)

INDEX NO.	PART NO.	DESCRIPTION	MODEL(S)
4	37069-90A	OIL SLINGER ASSEMBLY	ALL
6	37090-98A	END, clutch pushrod, left side	ALL
9	37496-90A	NUT, mainshaft	ALL
12	37871-98A	SPRING, diaphragm (white)	ALL
21	37912-00	PRESSURE PLATE	ALL

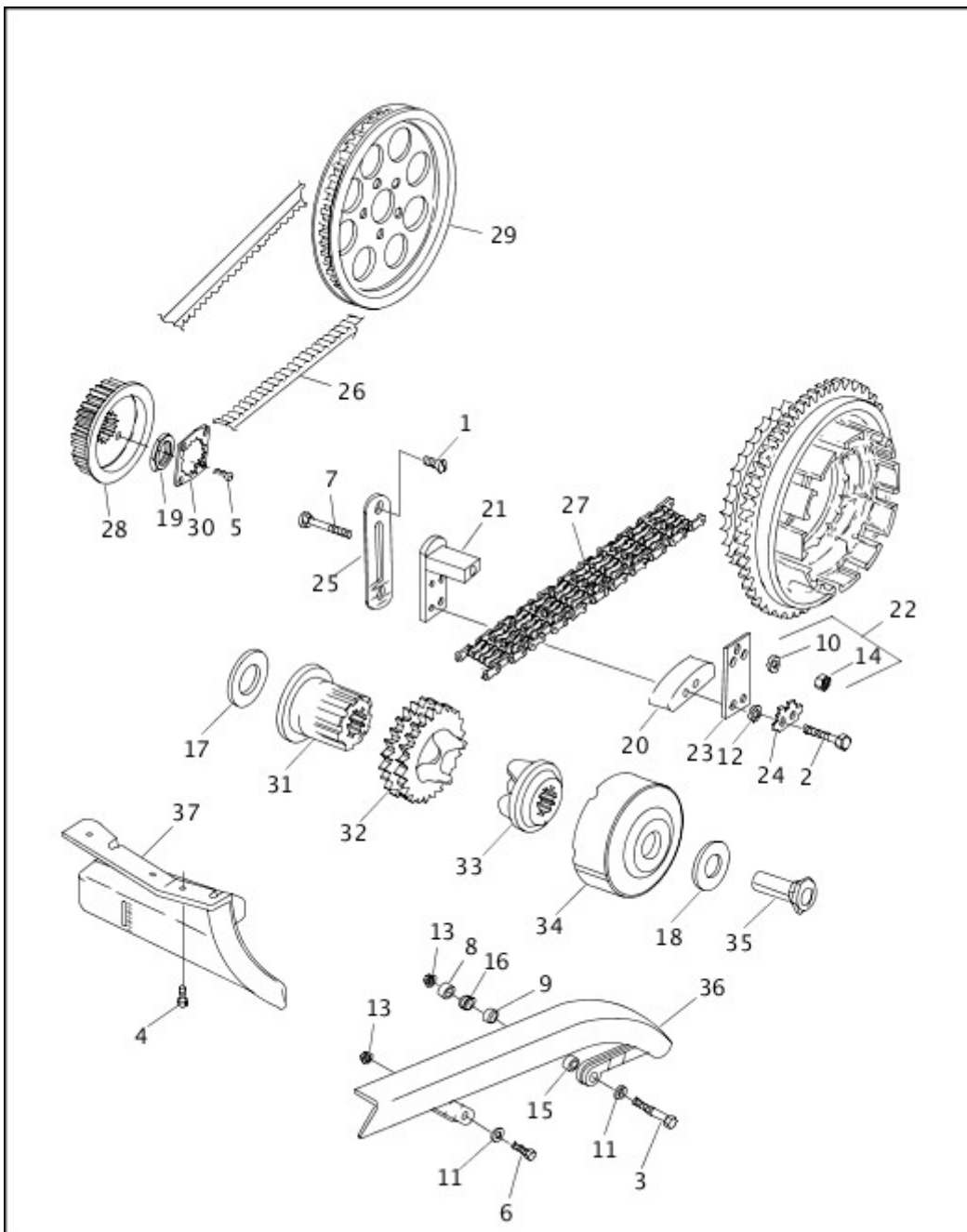
## PRIMARY HOUSING



[View interactive table](#)

INDEX NO.	PART NO.	DESCRIPTION	MODEL(S)
3	858A	BOLT (2)	ALL
6	2932A	SCREW (4)	ALL
7	4086A	BOLT	ALL
12	11147B	O-RING, housing cover	ALL
13	12052A	OIL SEAL	ALL
14	12066A	OIL SEAL	ALL
19	33445-94A	BUSHING	ALL
20	33446-94A	BUSHING	ALL
21	60529-90A	COVER, inspection (chrome)	FXD, FXDL, FXDS CONV
22	60539-94B	GASKET, primary cover	ALL
24	60567-90C	GASKET, inspection cover	ALL
25	60663-95A	PRIMARY HOUSING ASSEMBLY	FXD
27	63859-95B	GASKET (2)	ALL

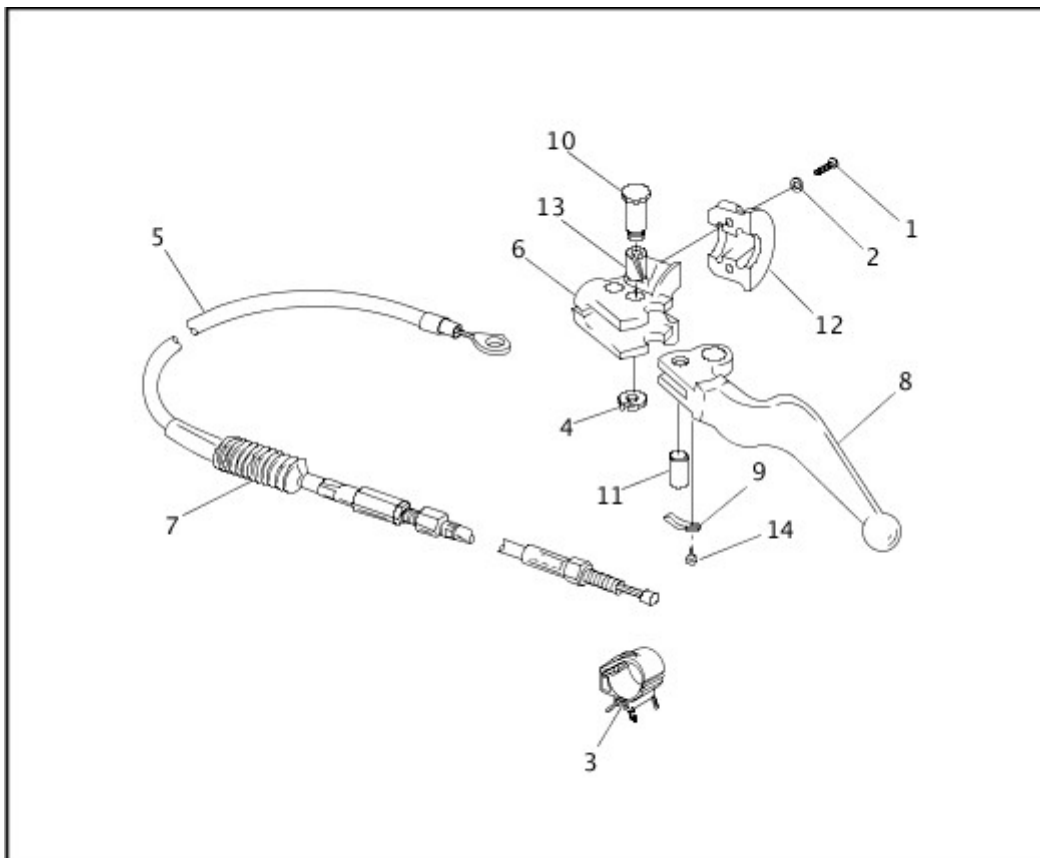
## **[BELTS, CHAINS, SPROCKETS & REAR BELT GUARD](#)**



[View interactive table](#)

INDEX NO.	PART NO.	DESCRIPTION	MODEL(S)
1	1783C	SCREW (2)	ALL
9	5978W	SPACER	ALL
18	29960-91A	SPACER	ALL
19	35211-91B	NUT, sprocket	ALL
25	39998-65A	ANCHOR PLATE, chain tensioner	ALL
27	40007-36B	PRIMARY CHAIN	ALL
28	40250-94C	SPROCKET, transmission, 32 T	ALL

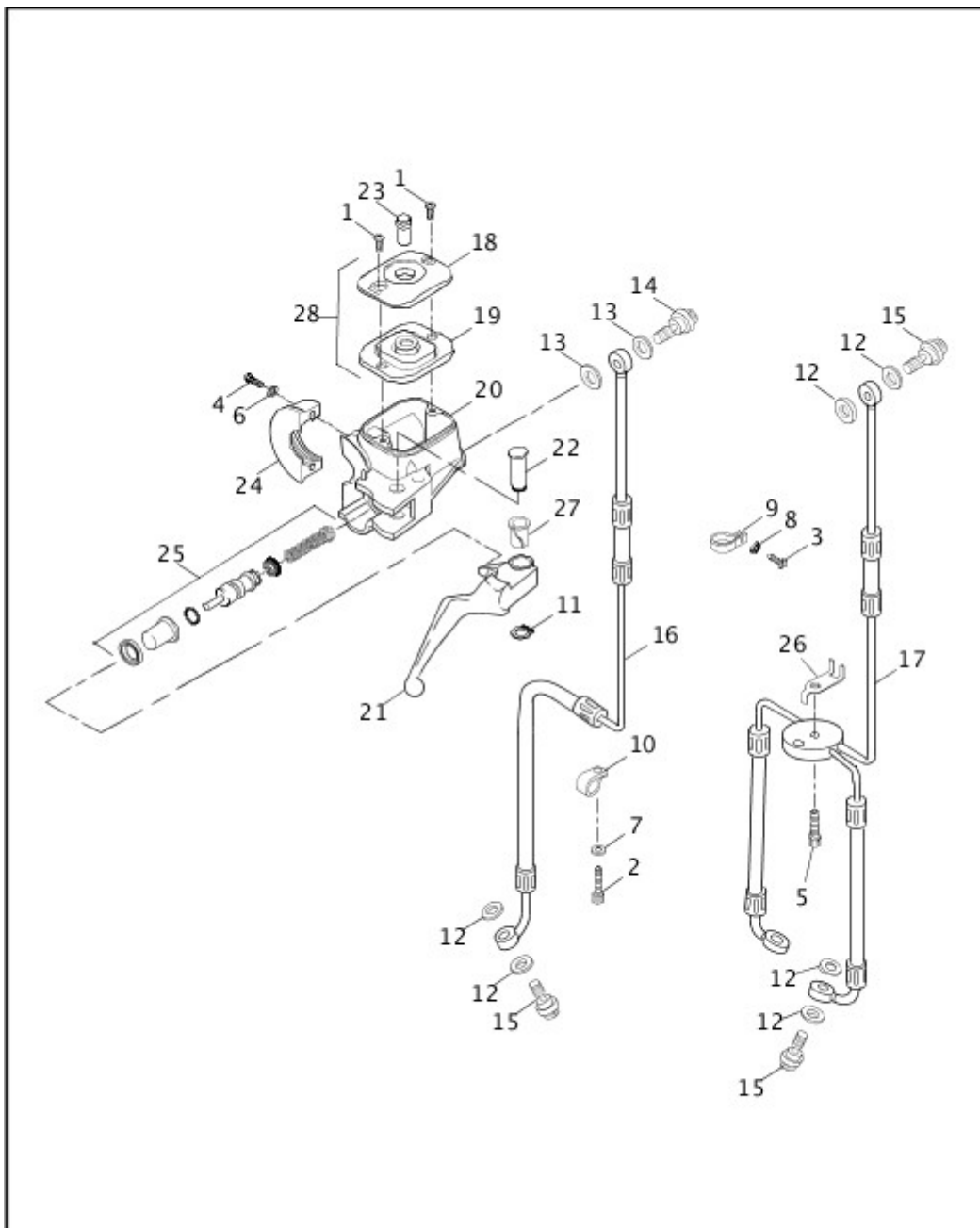
## [CLUTCH CONTROL](#)



[View interactive table](#)

INDEX NO.	PART NO.	DESCRIPTION	MODEL(S)
8	45015-96	HAND LEVER	ALL
12	45044-96A	CLAMP, lever bracket	ALL

## [FRONT BRAKE CONTROL](#)

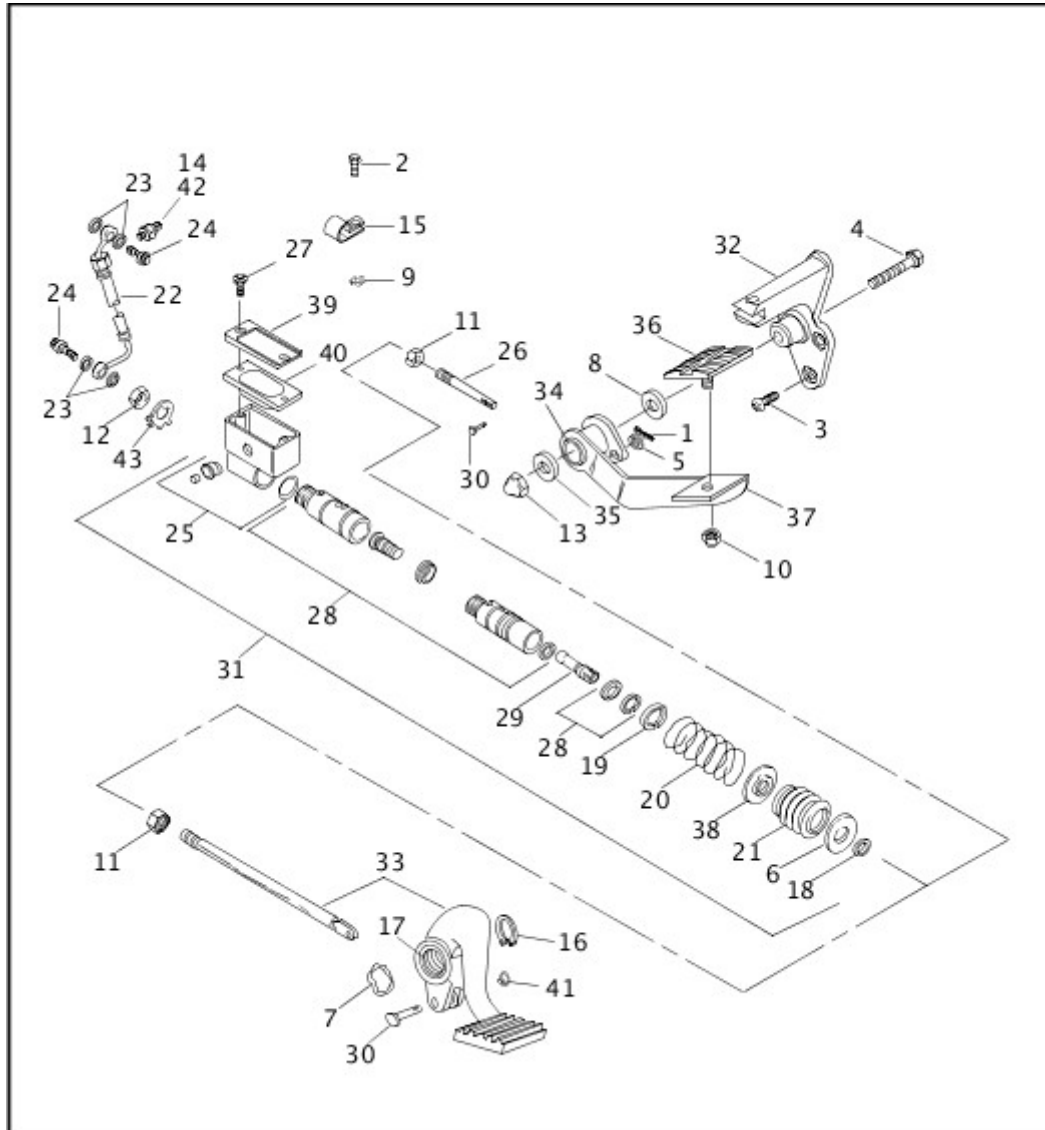


[View interactive table](#)

INDEX NO.	PART NO.	DESCRIPTION	MODEL(S)
2	3594	SCREW	FXD, FXDWG
	4240	SCREW	FXD, FXDL, FXDS CONV
16	45112-96A	BRAKE LINE	FXDWG
	45121-96A	BRAKE LINE	FXD
18	45004-96A	COVER, reservoir	ALL
19	45005-96	GASKET, reservoir cover (use 45030-03C)	ALL
20	45013-96D	MASTER CYLINDER, w/ hand lever (11/16 inch bore)	FXDL, FXDS CONV
	45019-96D	MASTER CYLINDER, w/ hand lever (9/16 inch bore)	FXD, FXDWG
24	45044-96A	CLAMP, handlebar control	ALL
25	45072-96C	REPAIR KIT, master cylinder (11/16 inch bore)	FXDL, FXDS CONV

INDEX NO.	PART NO.	DESCRIPTION	MODEL(S)
	45006-96C	REPAIR KIT, master cylinder (9/16 inch bore)	FXD, FXDWG
28	45030-03C	COVER KIT, w/ 2579A	ALL

## REAR BRAKE CONTROL

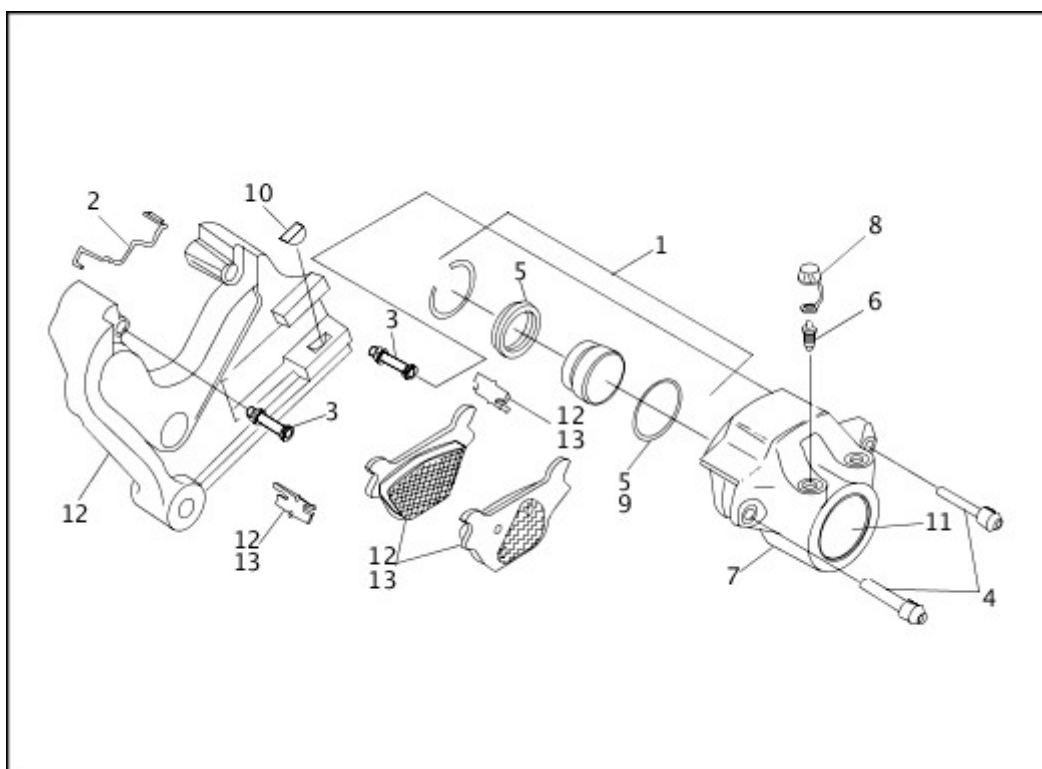


View interactive table

INDEX NO.	PART NO.	DESCRIPTION	MODEL(S)
21	40922-87A	BOOT	ALL
22	40956-90B	BRAKE LINE	ALL
31	42474-90B	MASTER CYLINDER, w/ 6366, 41803-90, 42375-87, 42382-87C, 42448-87, 45004-85 & 45005-85	ALL

INDEX NO.	PART NO.	DESCRIPTION	MODEL(S)
33	42502-90A	BRAKE PEDAL ASSEMBLY, w/ 515, 33708-94 & 42460-80B (use 42502-90B)	FXD, FXDL, FXDS CONV
	42502-90B	BRAKE PEDAL ASSEMBLY, w/ 33708-94, 42460-80B & 51938-04 (replaces 42502-90A)	FXD, FXDL, FXDS CONV
41	51938-04	COTTER CIRCLE	ALL
42	72023-51C	SWITCH KIT, stop lamp, w/ 9898 (use 72023-51E)	ALL

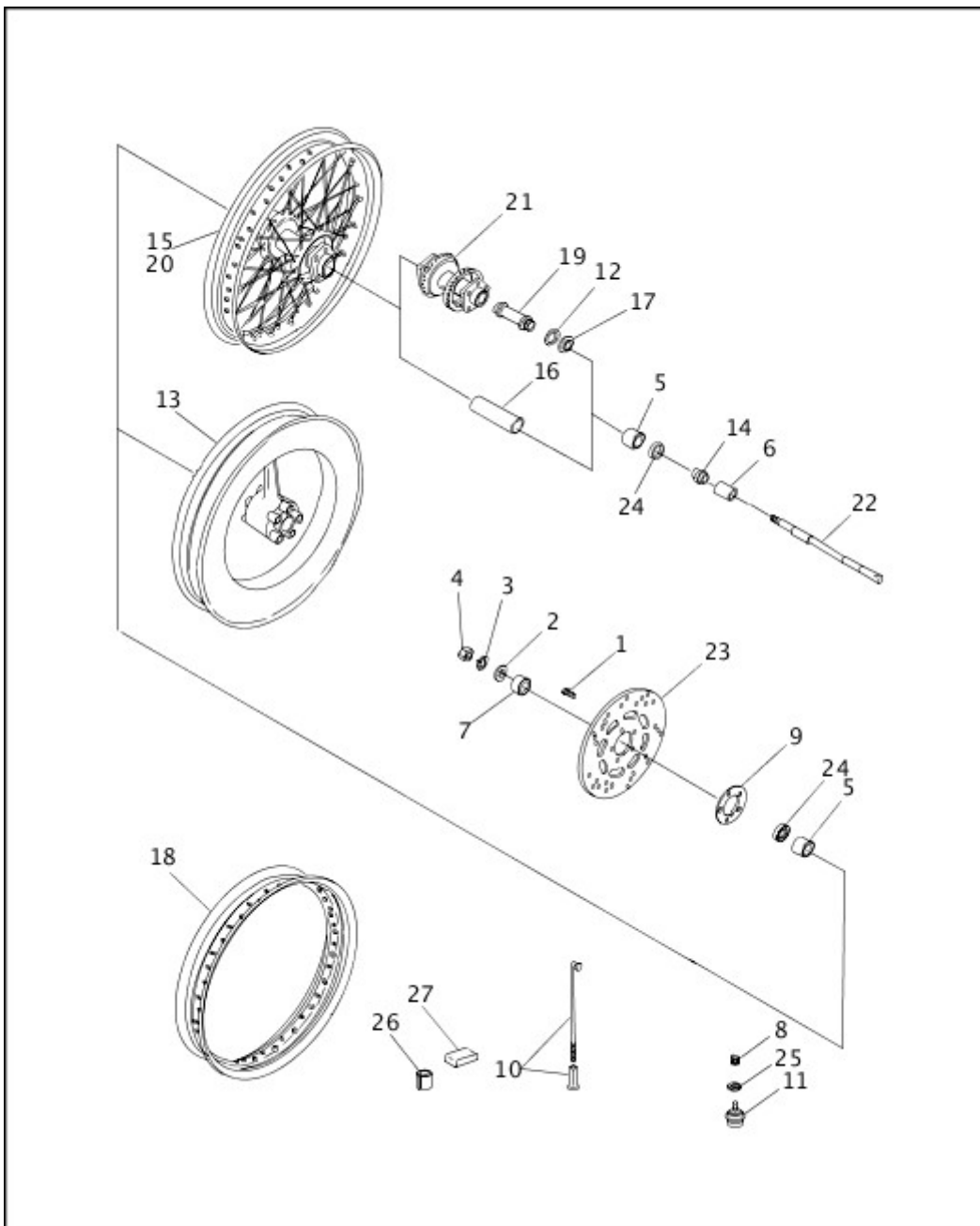
## REAR BRAKE CALIPER



View interactive table

INDEX NO.	PART NO.	DESCRIPTION	MODEL(S)
8	44147-87A	CAP, bleeder screw	ALL

## FRONT WHEEL



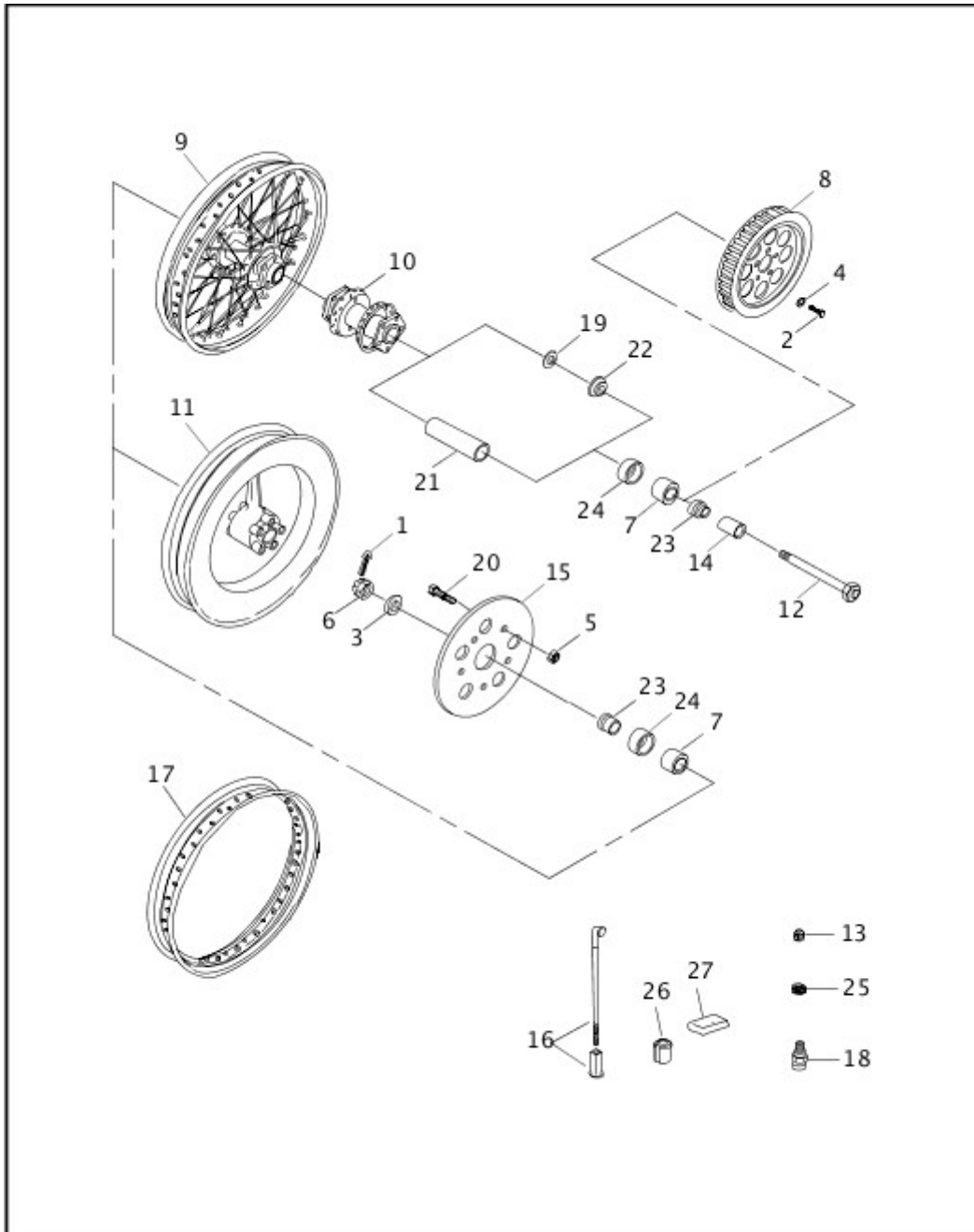
[View interactive table](#)

INDEX NO.	PART NO.	DESCRIPTION	MODEL(S)
1	3655A	SCREW (5)	FXD, FXDWG
1	3655A	SCREW (10)	FXDL, FXDS CONV
10	40761-05	SPOKE & NIPPLE SET, 19 inch rim, short (20)	FXD, FXDL, FXDS CONV
	43239-05	SPOKE & NIPPLE SET, 21 inch (40)	FXDWG
13	43499-96	WHEEL ASSEMBLY, 19 inch, 13-spoke (black)	FXDL, FXDS CONV
	43594-96	WHEEL ASSEMBLY, 19 inch, 13-spoke (silver)	FXD
15	43312-84B	WHEEL ASSEMBLY, 19 inch laced	FXD
	43591-96B	WHEEL ASSEMBLY, 19 inch laced	FXDL, FXDS CONV
	43001-06	RIM, 19 inch (chrome)	FXD, FXDL, FXDS CONV
20	43671-84C	WHEEL ASSEMBLY, 21 inch laced	FXDWG



INDEX NO.	PART NO.	DESCRIPTION	MODEL(S)
	43591-96B	HUB, w/ bearings & seals	FXDL, FXDS CONV
27	95594-84A	WEIGHT, 5 grams (for cast wheel) (black)	FXDL, FXDS CONV
	95595-84A	WEIGHT, 5 grams (for cast wheel) (silver)	FXD

## REAR WHEEL

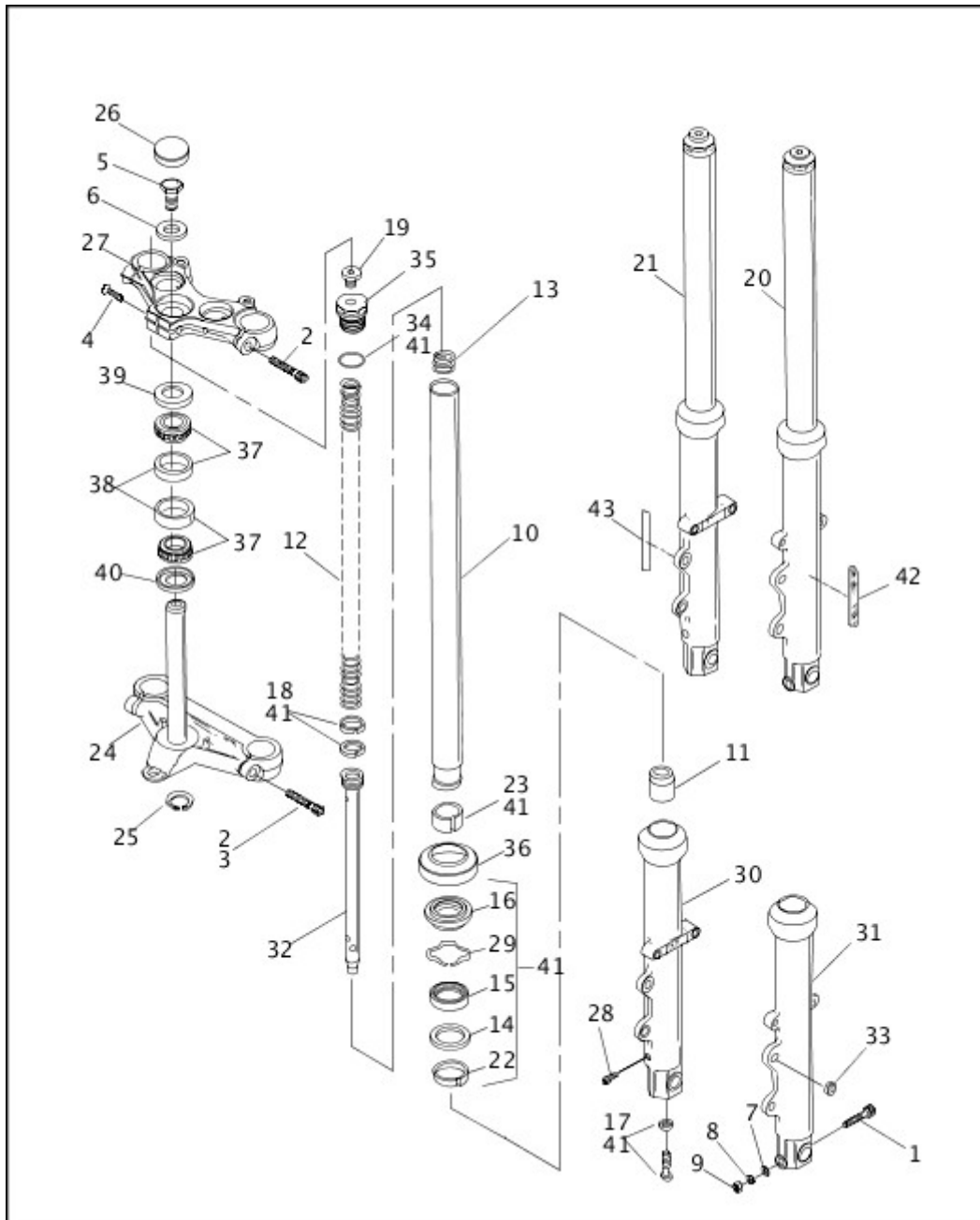


[View interactive table](#)

INDEX NO.	PART NO.	DESCRIPTION	MODEL(S)
9	40975-86C	WHEEL ASSEMBLY, 16 inch laced (chrome)	ALL
11	40992-96	WHEEL ASSEMBLY, 16 inch cast, 13-spoke (silver)	FXD

INDEX NO.	PART NO.	DESCRIPTION	MODEL(S)
	41012-96	WHEEL ASSEMBLY, 16 inch cast, 13-spoke (black)	FXDL, FXDS CONV
16	43241-05	SPOKE & NIPPLE SET, 16 inch rim (40)	ALL
27	95594-84A	WEIGHT, 5 grams (black)	FXDL, FXDS CONV
	95595-84A	WEIGHT, 5 grams (silver)	FXD

## FRONT FORK - FXD, FXDL & FXDS-CON (2 OF 2)

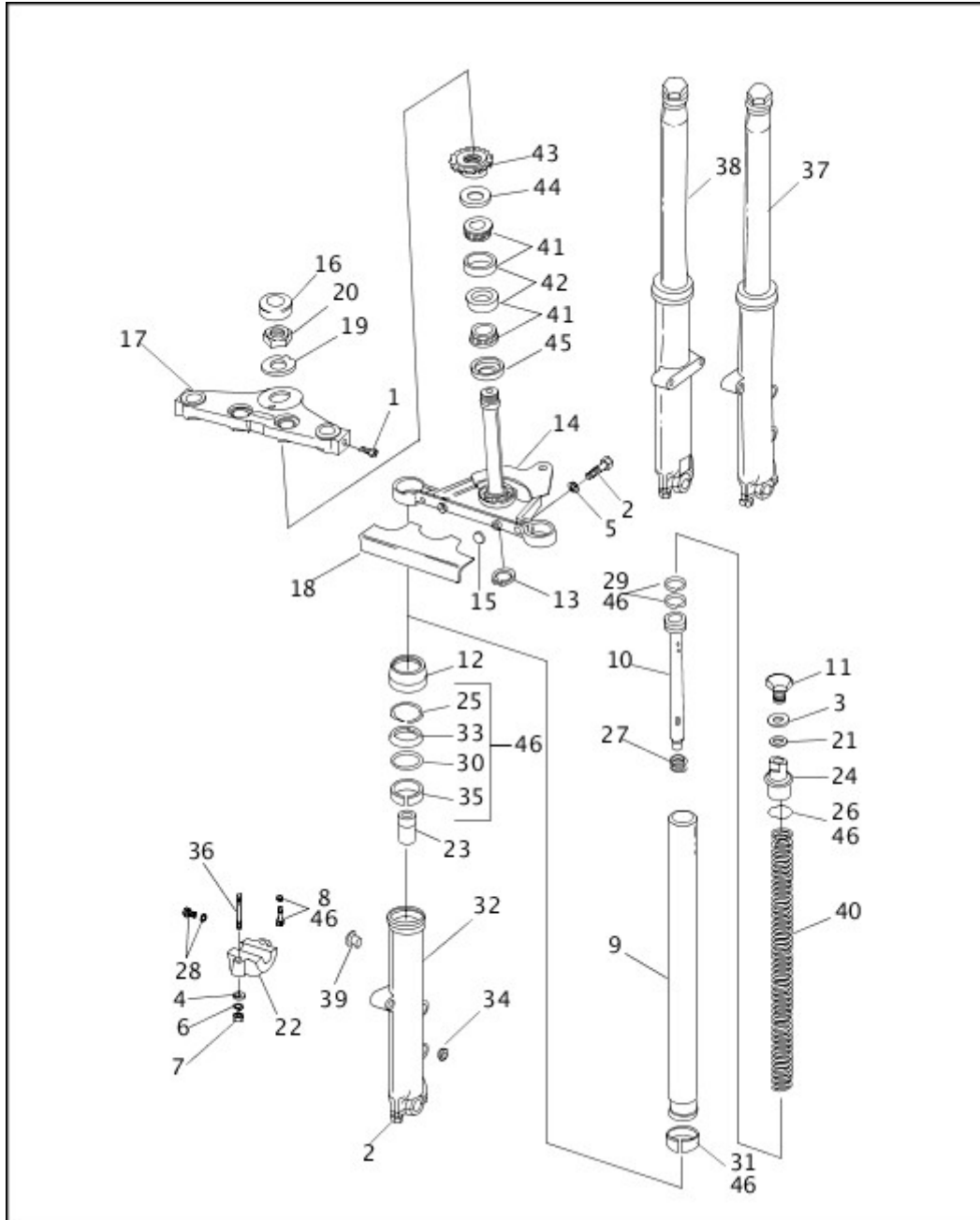


View interactive table

INDEX NO.	PART NO.	DESCRIPTION	MODEL(S)
24	45598-90B	BRACKET, lower, w/ stem	FXD, FXDL, FXDS CONV

INDEX NO.	PART NO.	DESCRIPTION	MODEL(S)
41	49378-09	FORK REBUILD KIT, w/ 14-18, 22, 23, 29 & 34	FXD, FXDL, FXDS CONV
42	59481-00	REFLECTOR, amber, right	FXD, FXDL, FXDS CONV
43	59482-00	REFLECTOR, amber, left	FXD, FXDL, FXDS CONV

## FRONT FORK - FXDWG

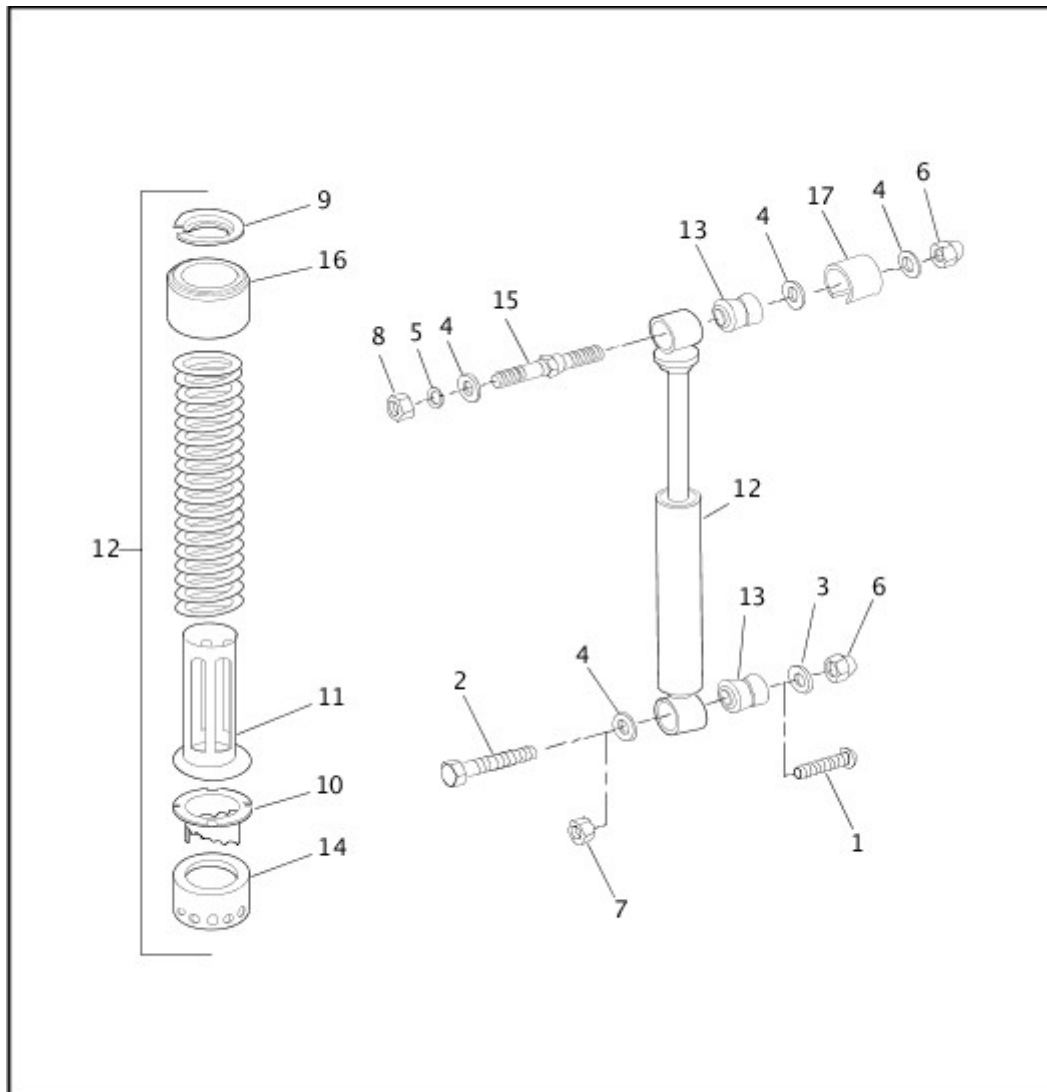


View interactive table

INDEX NO.	PART NO.	DESCRIPTION	MODEL(S)
15	45648-85A	PAD (felt) (2)	FXDWG
16	45670-80A	CAP, fork stem	FXDWG

INDEX NO.	PART NO.	DESCRIPTION	MODEL(S)
17	45672-80B	BRACKET, upper (chrome)	FXDWG
43	48332-48C	ADJUSTING NUT, upper	FXDWG
46	49377-09A	FORK REBUILD KIT, w/ 8, 25, 26, 29, 30, 31, 33 & 35	FXDWG

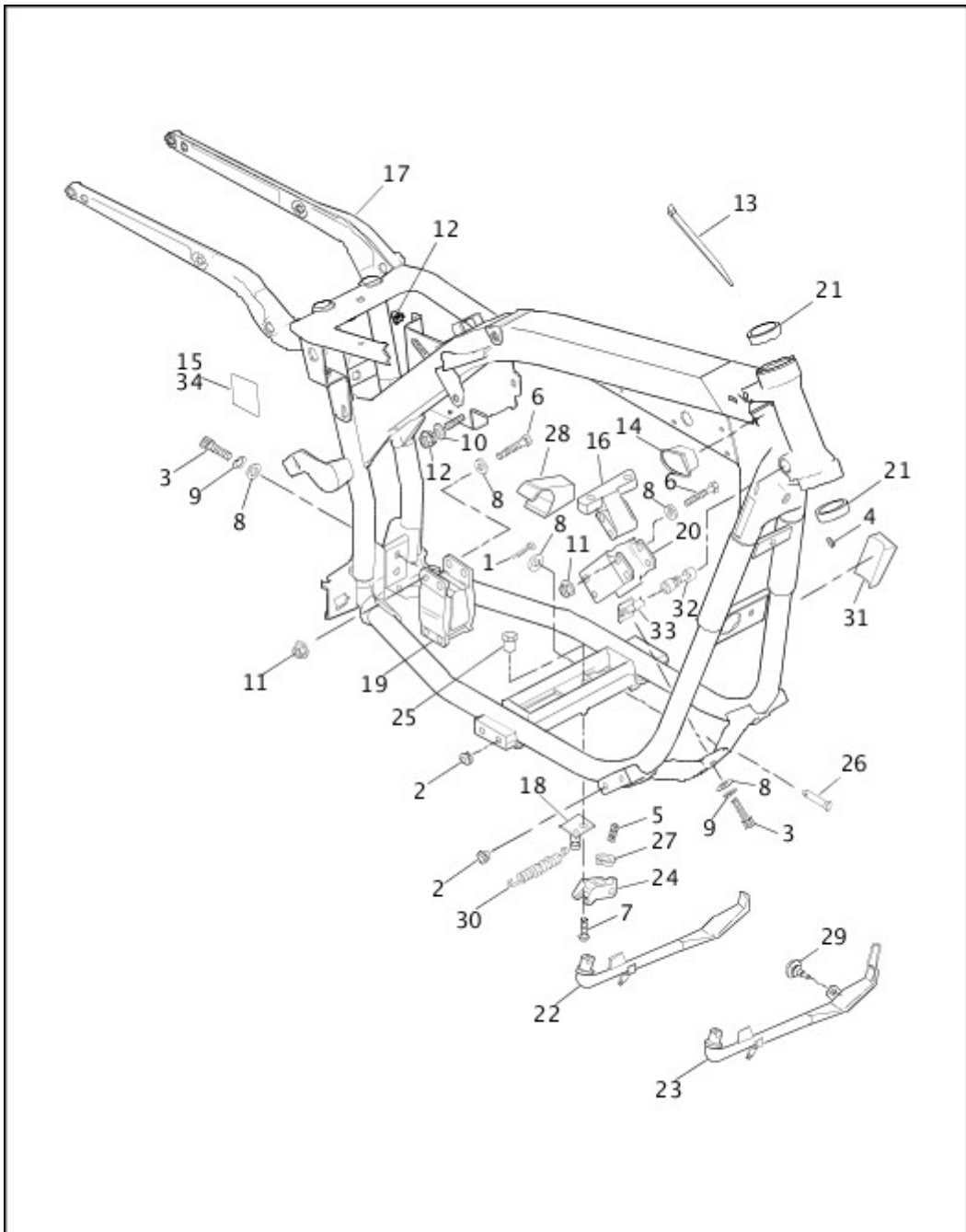
## SHOCK ABSORBERS - HYDRAULIC



[View interactive table](#)

INDEX NO.	PART NO.	DESCRIPTION	MODEL(S)
15	54557-90A	BOLT, shock mount (2)	ALL

## FRAME & JIFFY STAND

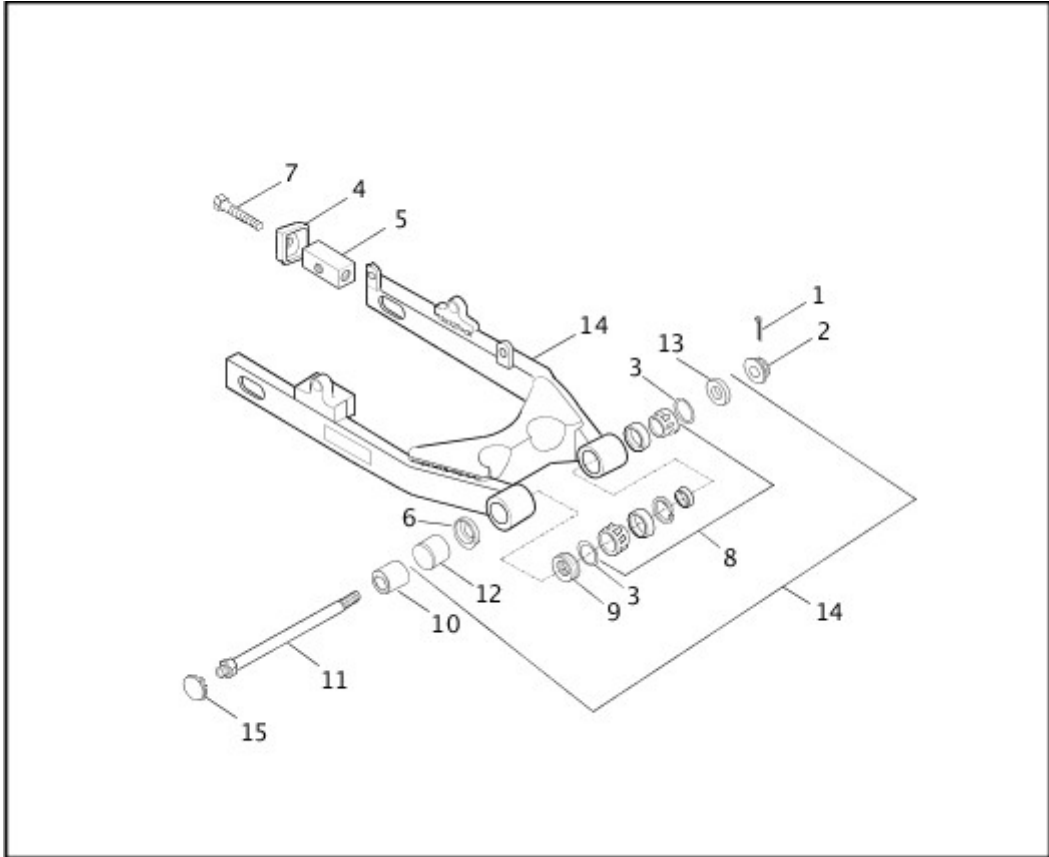


[View interactive table](#)

INDEX NO.	PART NO.	DESCRIPTION	MODEL(S)
1	554A	COTTER PIN	ALL
7	3655A	SCREW	ALL
	14117-96A	LABEL IGNITION, hole cover	FXD, FXDL, FXDS CONV
18	47318-98	ANCHOR	ALL
22	49704-90H	LEG, jiffy stand	FXD, FXDL, FXDWG
23	49710-94B	LEG, jiffy stand	FXDS CONV
26	50003-89B	PIN	ALL
32	71450-04	LOCKSET, fork & ignition, w/ key	FXDWG
	71421-90B	LOCKSET, fork & ignition, w/ key	FXD, FXDL, FXDS CONV

INDEX NO.	PART NO.	DESCRIPTION	MODEL(S)
34	14117-96A	LABEL IGNITION, hole cover (HDI)	FXD, FXDL, FXDS CONV

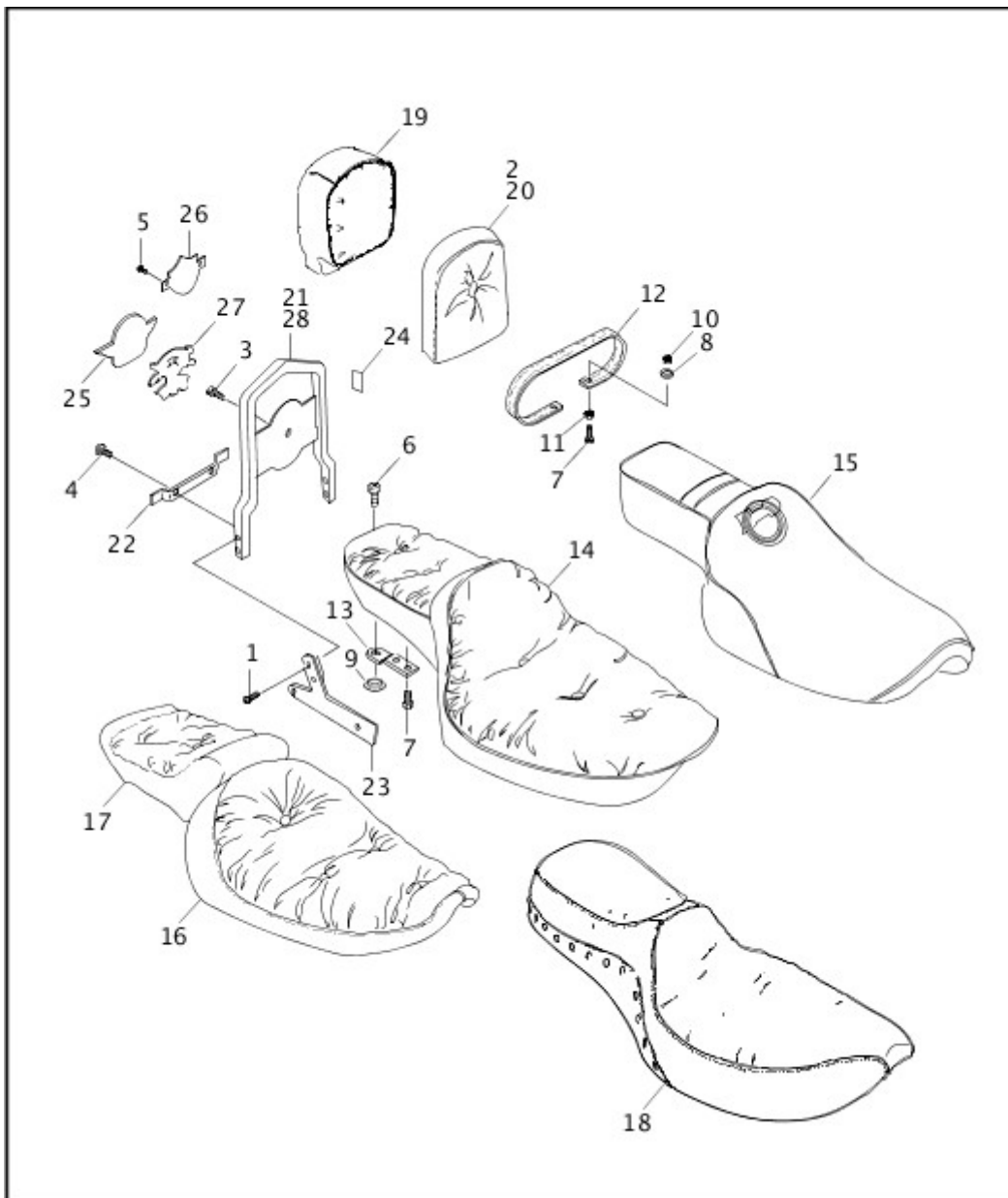
## REAR FORK



View interactive table

INDEX NO.	PART NO.	DESCRIPTION	MODEL(S)
2	7734W	NUT, flanged, castle	ALL
6	41585-90B	DUST SHIELD	ALL
12	47624-90B	BUSHING	ALL

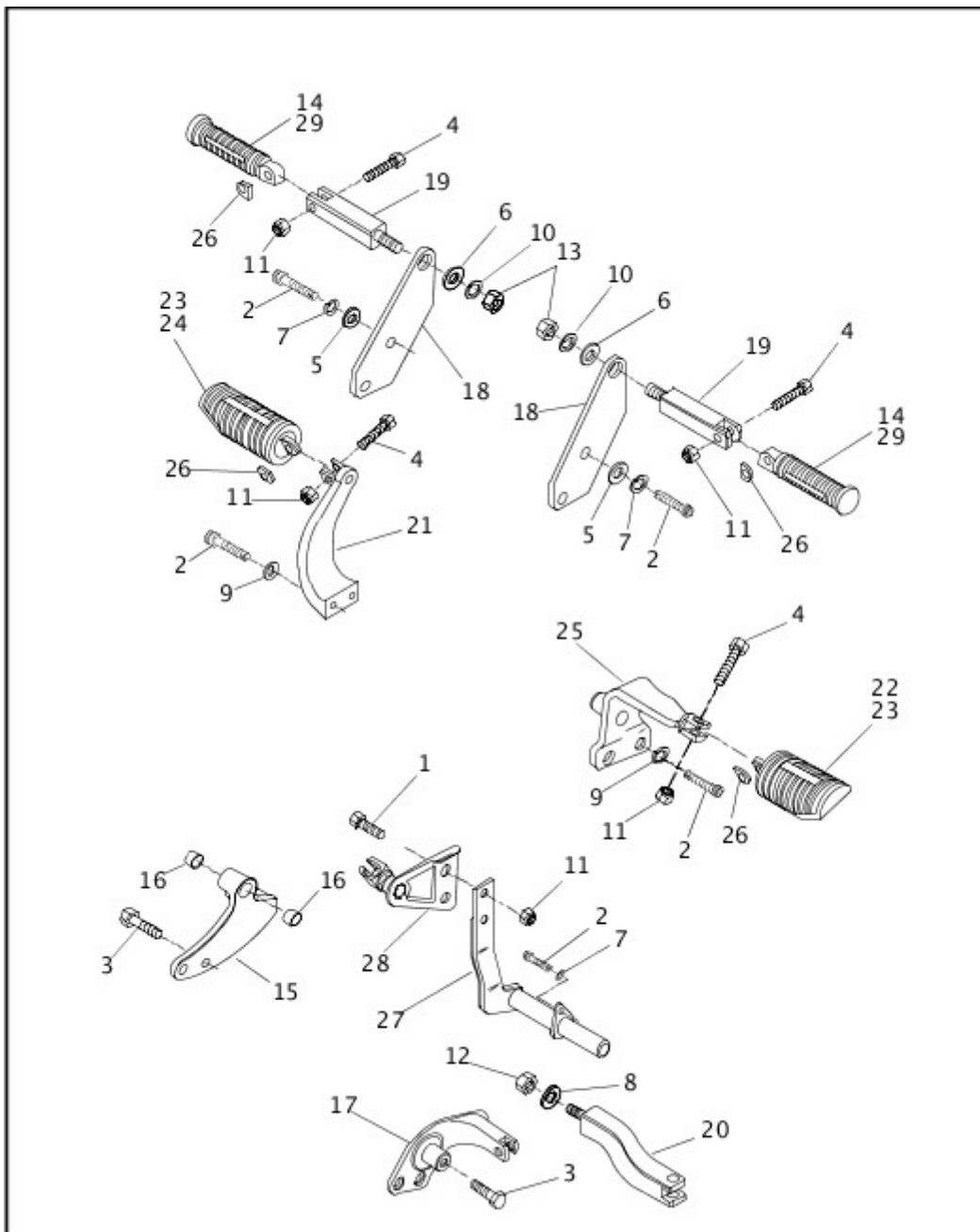
## SEATS & Sissy BAR



[View interactive table](#)

INDEX NO.	PART NO.	DESCRIPTION	MODEL(S)
6	2952A	SCREW, w/ washer	ALL
12	51176-96B	PASSENGER STRAP	ALL
13	51652-97A	BRACKET, seat	ALL
23	52780-96B	SIDEPLATE, right	FXDS CONV
	52799-96B	SIDEPLATE, left	FXDS CONV
25	62095-98	CLOISONNE, large (95th anniversary)	FXDS CONV
	52739-83	SISSY BAR KIT, w/ 919 (replaces 52750-82)	FXDS CONV

## [FOOTRESTS](#)

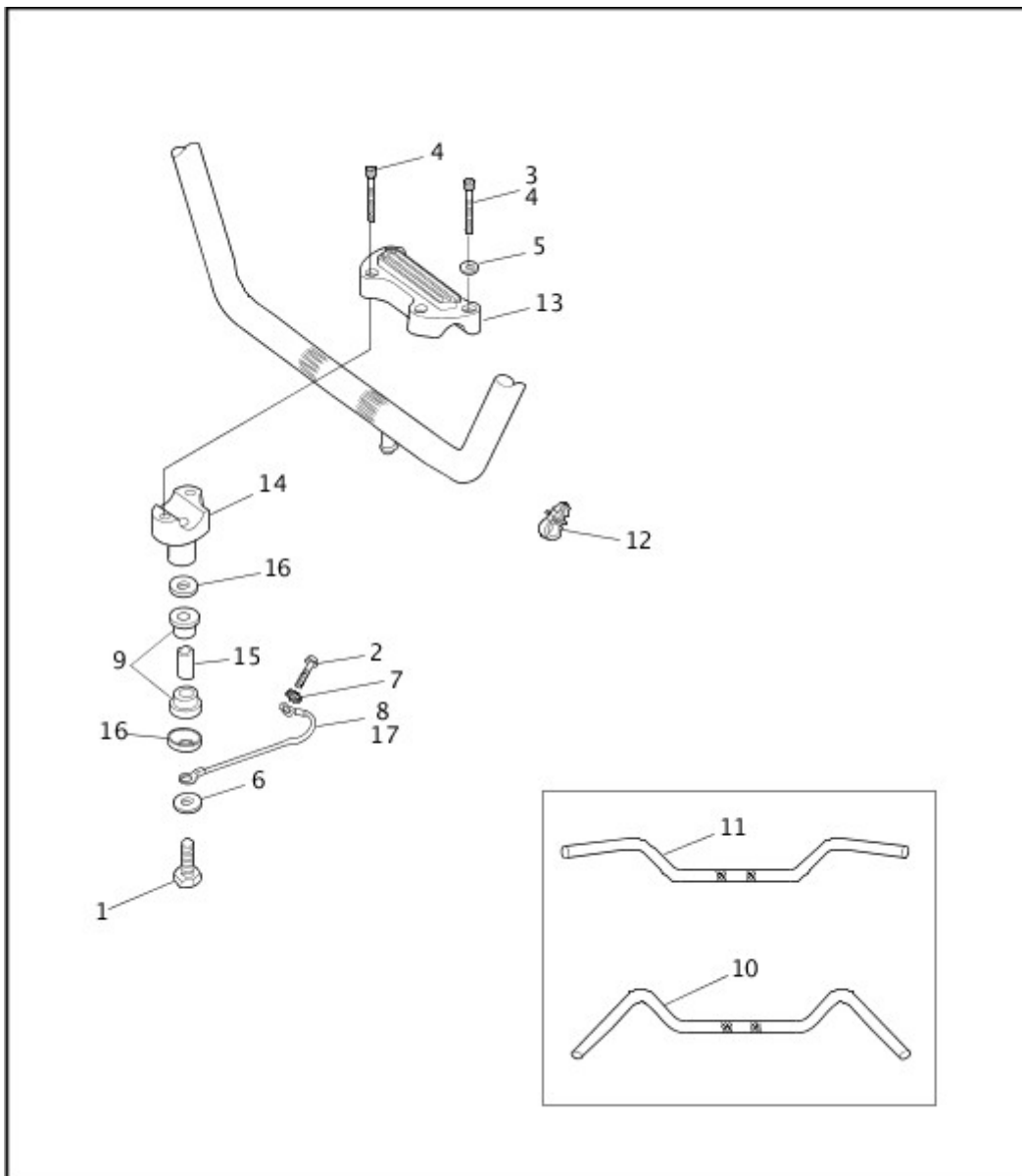


[View interactive table](#)

INDEX NO.	PART NO.	DESCRIPTION	MODEL(S)
18	49035-03	MOUNTING PLATE (2)	FXDL, FXDS CONV
21	50639-90A	BRACKET, left footrest, front	FXD, FXDL, FXDS CONV
27	52740-94A	UPRIGHT BRACKET, left	ALL

## [HANDLEBAR](#)

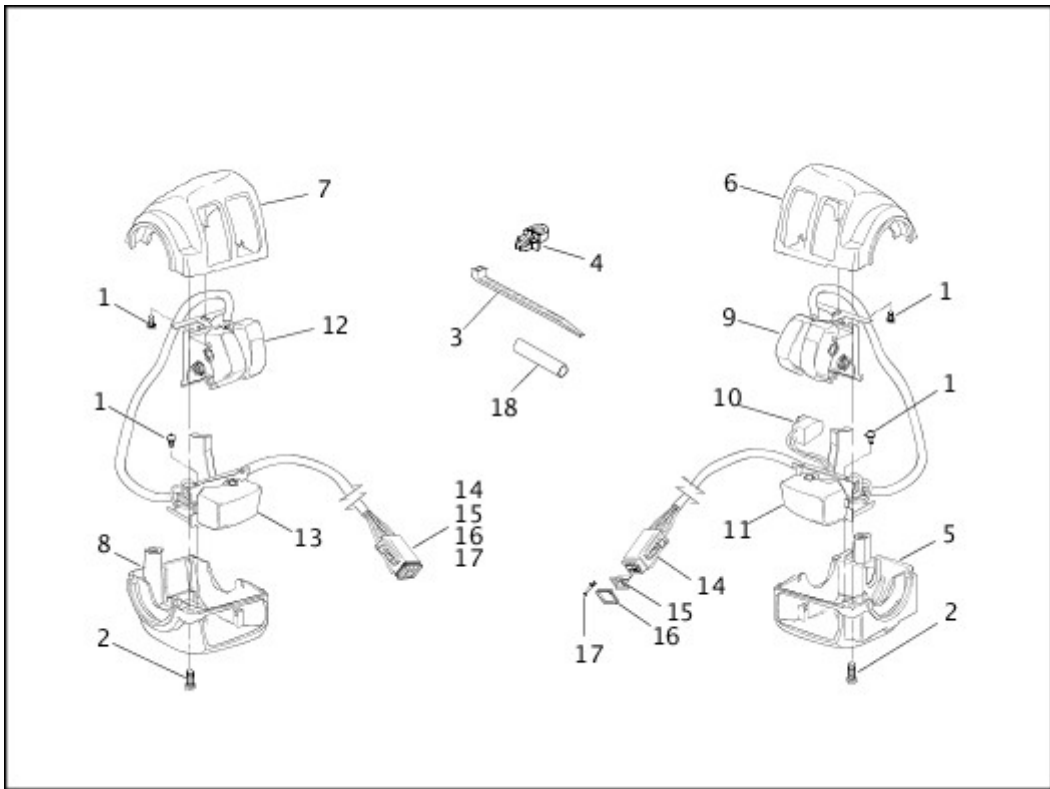




[View interactive table](#)

INDEX NO.	PART NO.	DESCRIPTION	MODEL(S)
2	4240	SCREW	FXD, FXDL, FXDS CONV
	56567-86B	CLAMP, upper (chrome)	FXDWG

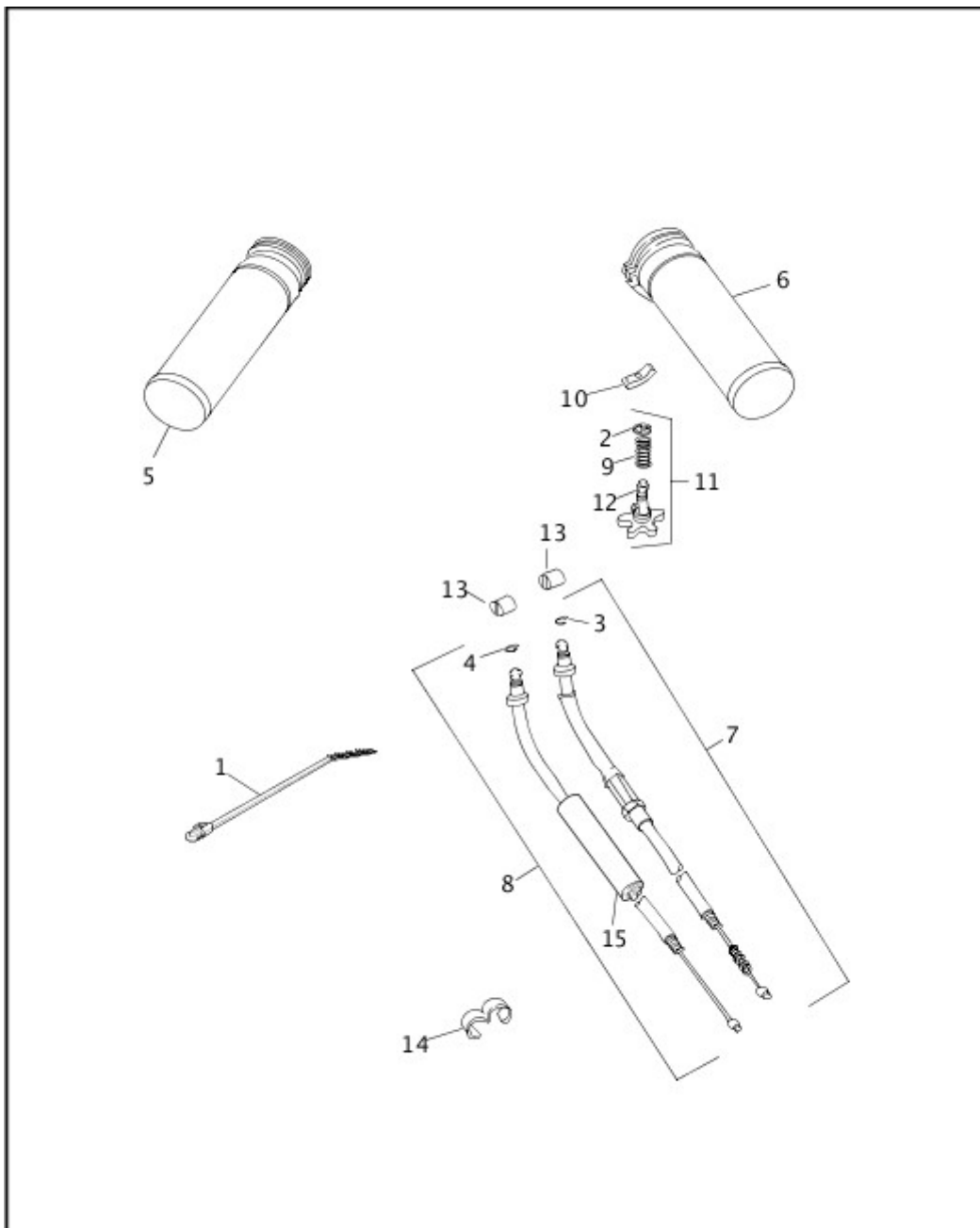
**HANDLEBAR SWITCHES**



[View interactive table](#)

INDEX NO.	PART NO.	DESCRIPTION	MODEL(S)
8	71568-96A	HOUSING, lower, left	ALL
10	71621-08	SWITCH KIT, stop lamp, w/ 3 & 18	ALL
11	71591-96A	SWITCH ASSEMBLY, right turn signal, w/ 3 & 18	ALL
12	71682-06A	SWITCH ASSEMBLY, dimmer & horn, w/ 3 & 18	ALL
13	71598-96A	SWITCH ASSEMBLY, left turn signal, w/ 3 & 18	ALL

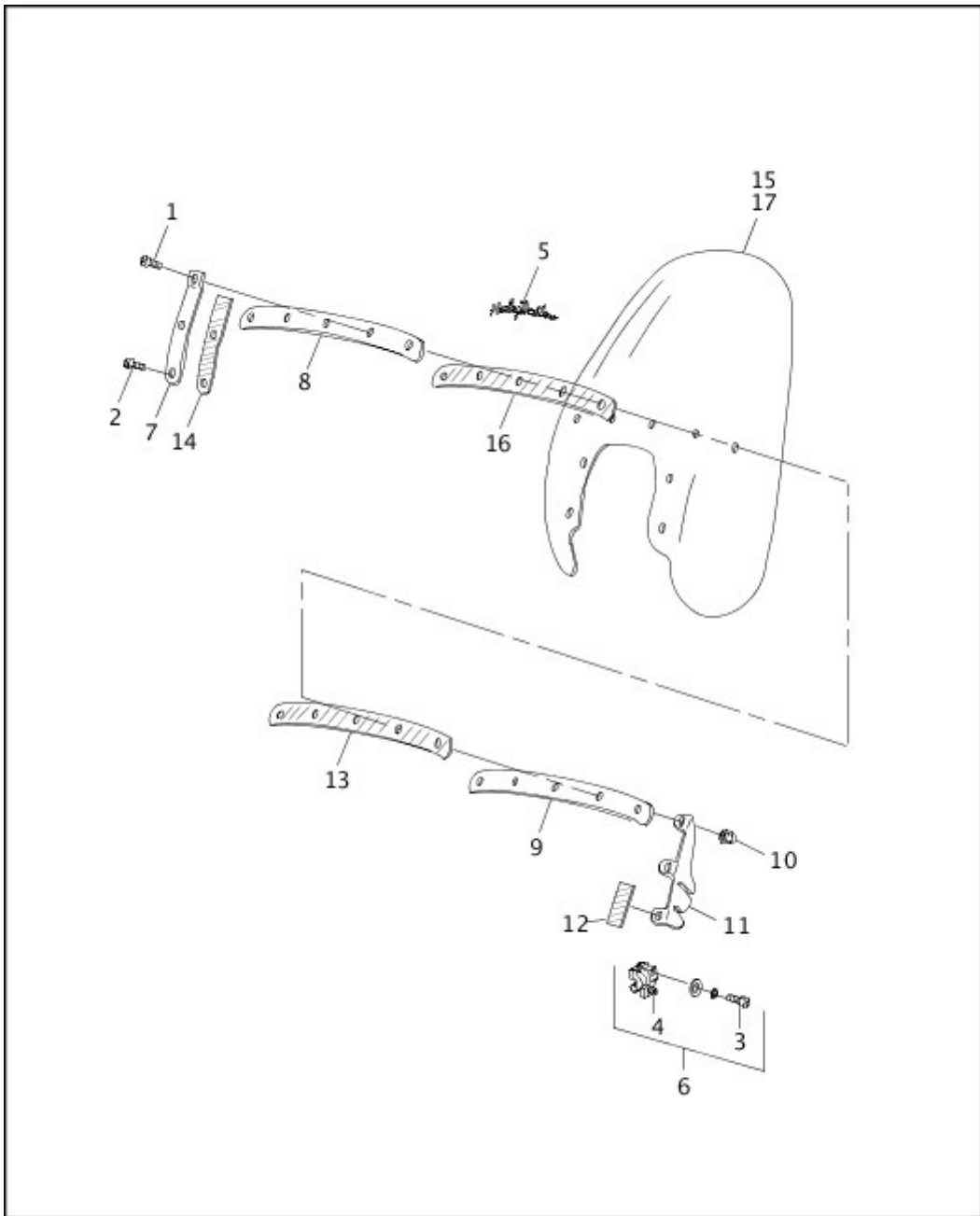
## [THROTTLE CONTROL](#)



[View interactive table](#)

INDEX NO.	PART NO.	DESCRIPTION	MODEL(S)
7	56355-96A	IDLE CONTROL ASSEMBLY, w/ 11272 & 38653-01	ALL
8	56356-96A	THROTTLE CONTROL ASSEMBLY, w/ 11272 & 38653-01	ALL
15	38653-01	BOOT, throttle cables (2)	ALL

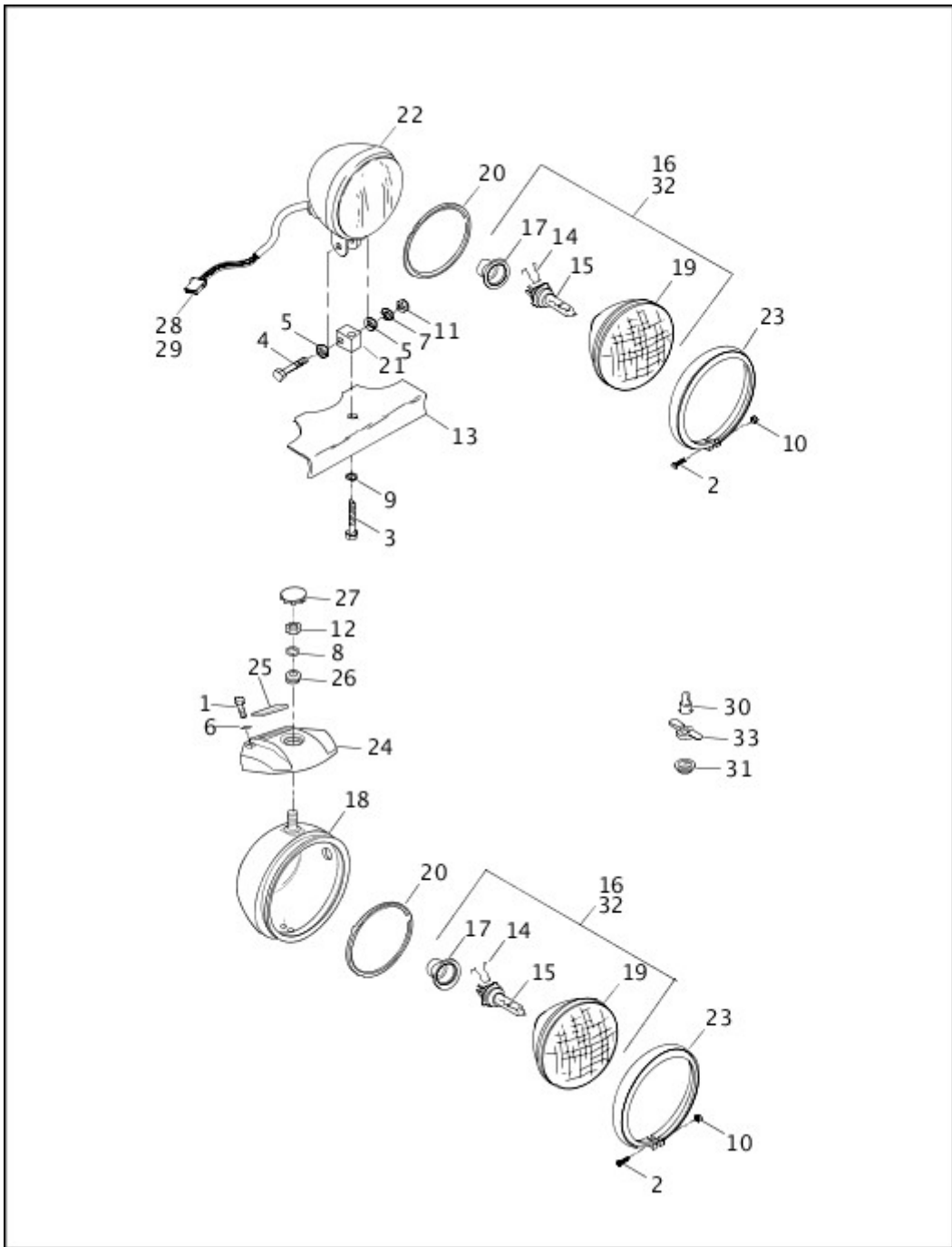
[WINDSHIELD - FXDS-CON](#)



[View interactive table](#)

INDEX NO.	PART NO.	DESCRIPTION	MODEL(S)
1	1005A	BOLT, shoulder (7)	FXDS CONV
2	2152A	SCREW, shoulder (2)	FXDS CONV

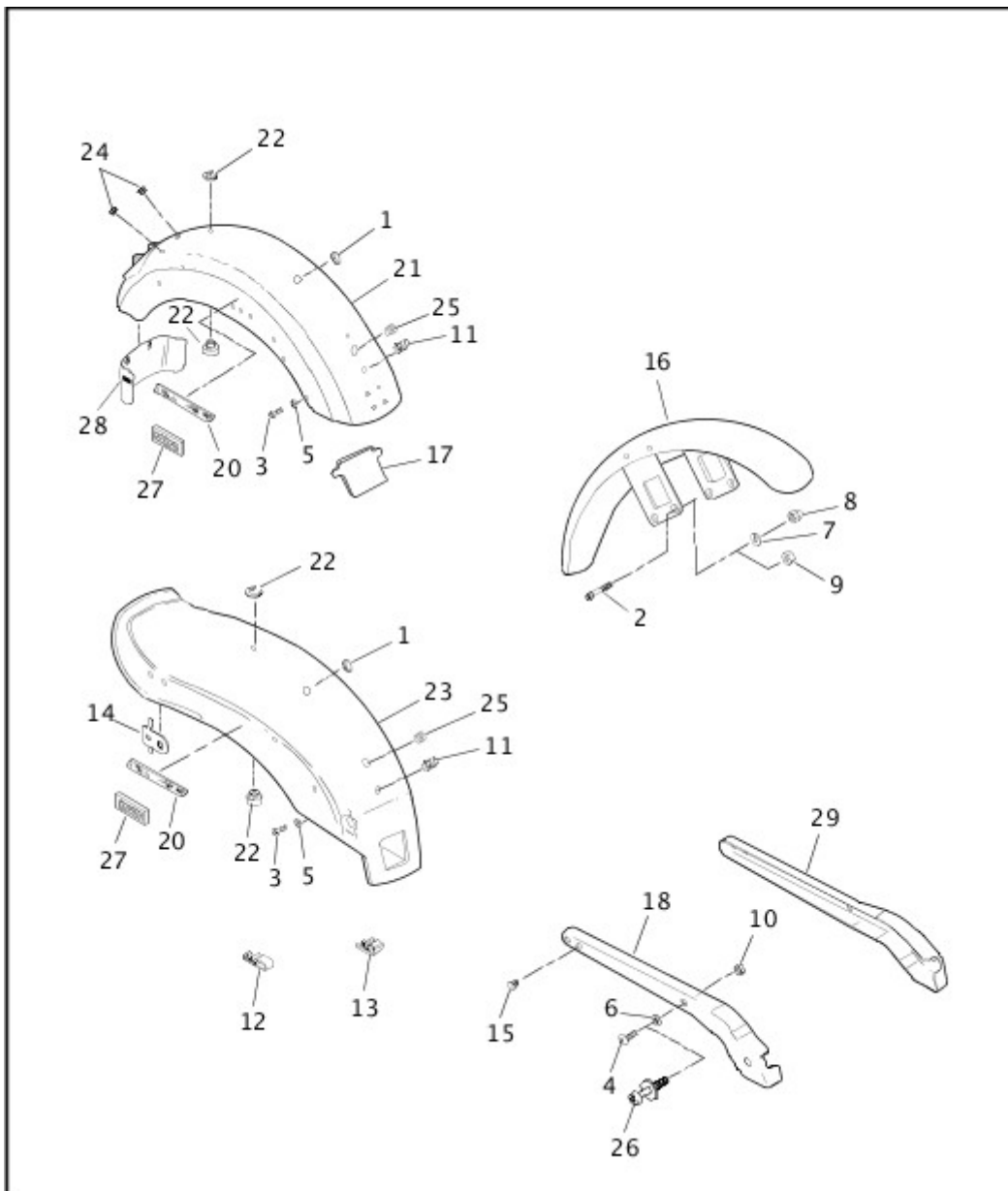
## HEADLAMP



[View interactive table](#)

INDEX NO.	PART NO.	DESCRIPTION	MODEL(S)
15	68329-03	BULB, Halogen-H-4	ALL
16	67698-81D	LENS ASSEMBLY, w/ bulb, boot & clip, 5-3/4 inch	ALL
	67733-91A	HOUSING, headlamp (chrome)	FXD, FXDL, FXDS CONV
23	67790-93A	TRIM RING (chrome)	ALL
32	67763-92A	LENS ASSEMBLY, w/ bulb & boot, R.H. dip (HDI)	ALL
	67781-92A	LENS ASSEMBLY, w/ bulb & boot, L.H. dip (HDI)	ALL

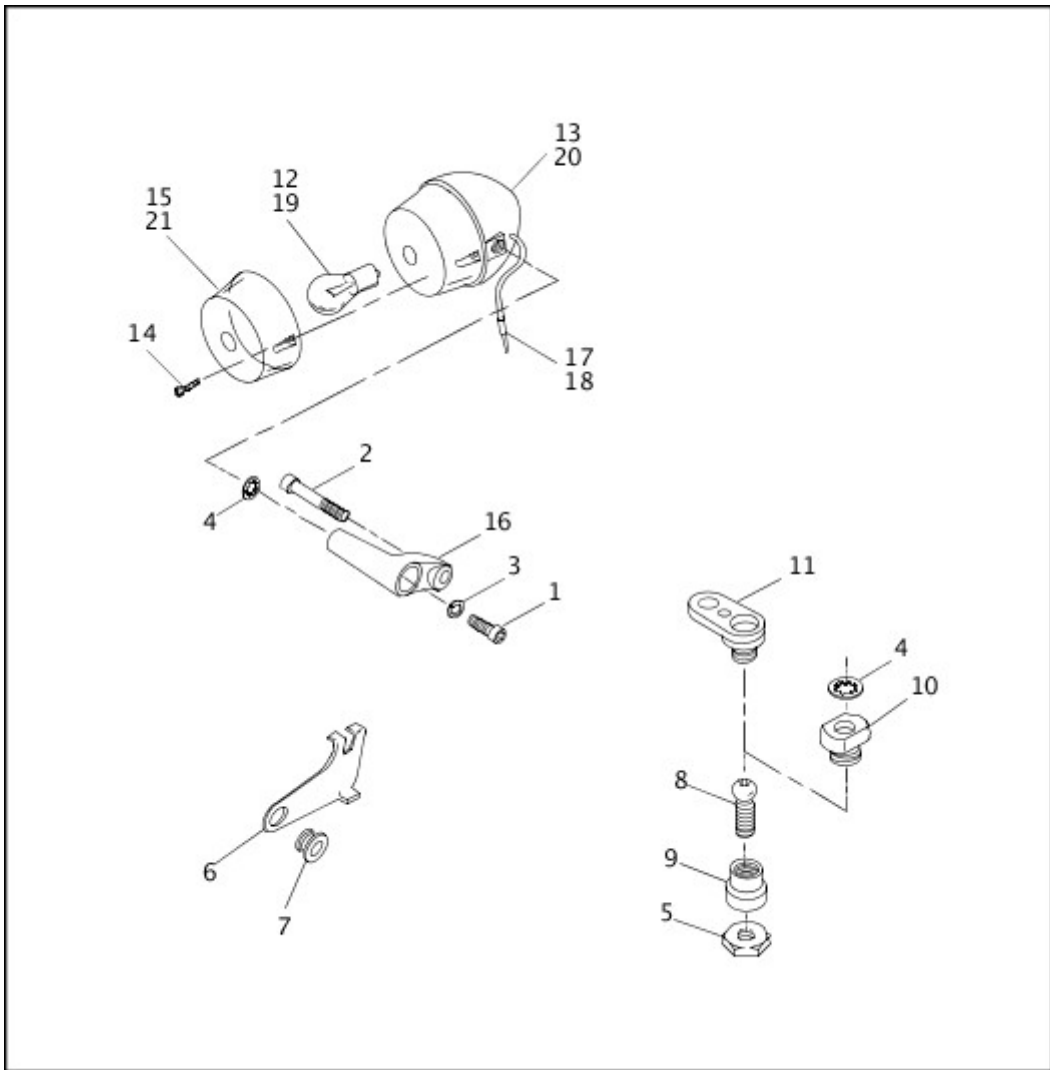
## **FRONT & REAR FENDER & REAR FENDER COVERS**



[View interactive table](#)

INDEX NO.	PART NO.	DESCRIPTION	MODEL(S)
16	58998-83E	FENDER (prime) (front)	FXD, FXDL, FXDS CONV
	59924-80B	FENDER (prime) (front)	FXDWG

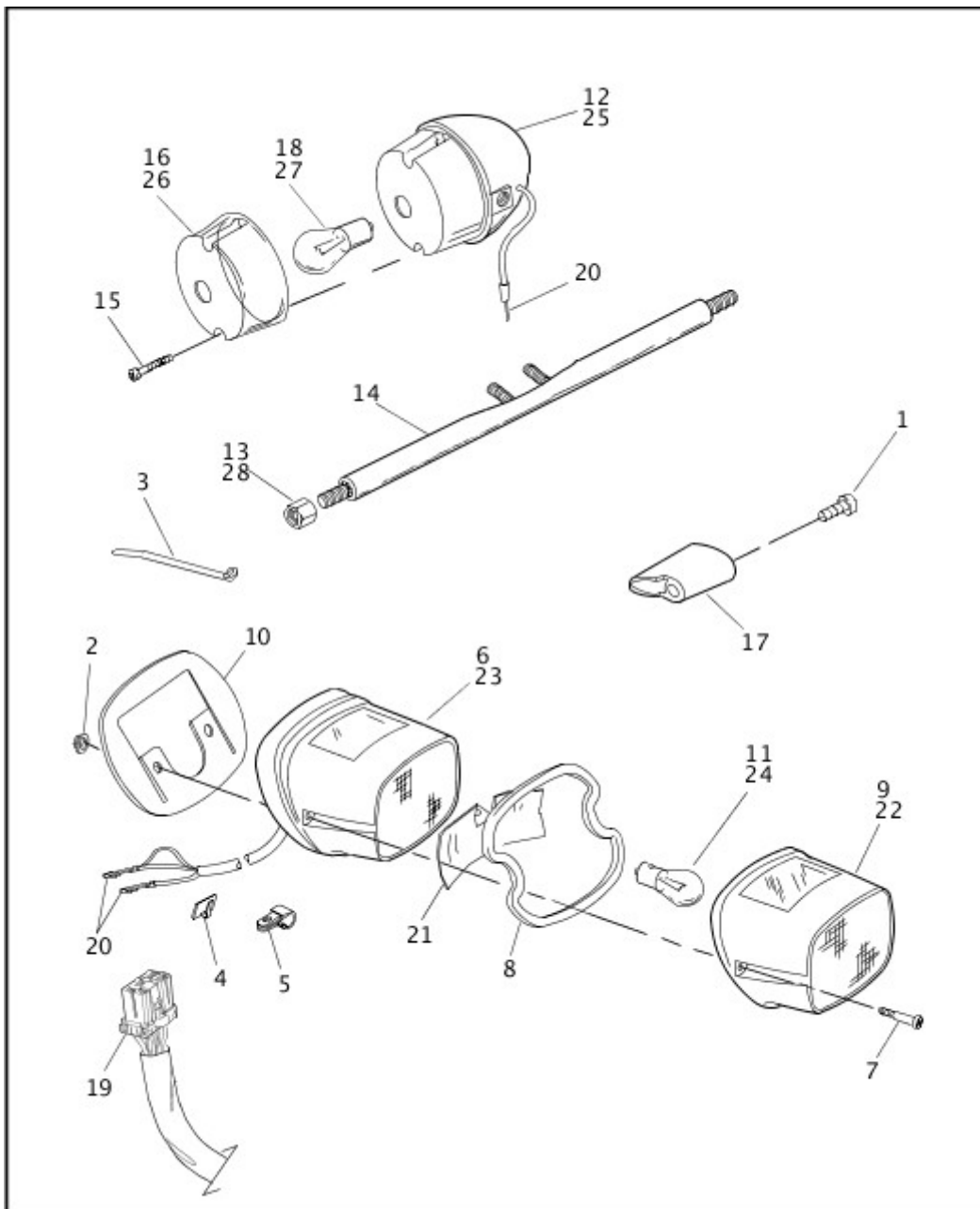
**FRONT TURN SIGNALS**



[View interactive table](#)

INDEX NO.	PART NO.	DESCRIPTION	MODEL(S)
12	68168-89A	BULB, front turn signals (2)	ALL

## [TAIL LAMP & REAR TURN SIGNALS](#)



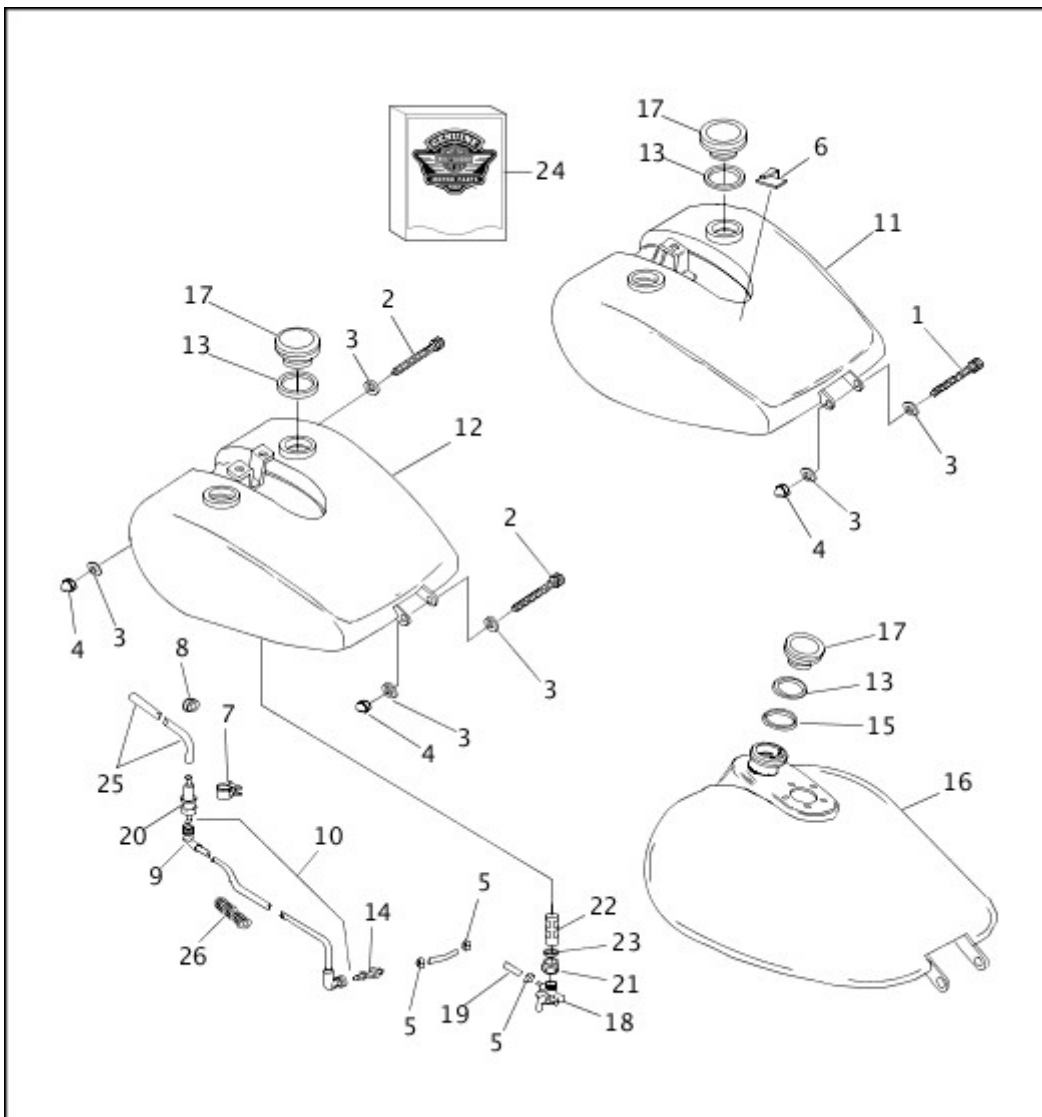
[View interactive table](#)

INDEX NO.	PART NO.	DESCRIPTION	MODEL(S)
11	68168-89A	BULB, tail lamp	ALL
14	68430-89A	TURN SIGNAL BAR	FXDS CONV
17	68480-93A	SUPPORT, rear lamp mounting (2)	FXD, FXDL, FXDWG
24	68169-90A	BULB, tail lamp (HDI)	ALL
	68802-95	LAMP, w/ wire, rear (amber) (HDI) (2)	FXDS CONV

## [LICENSE PLATE BRACKETS](#)



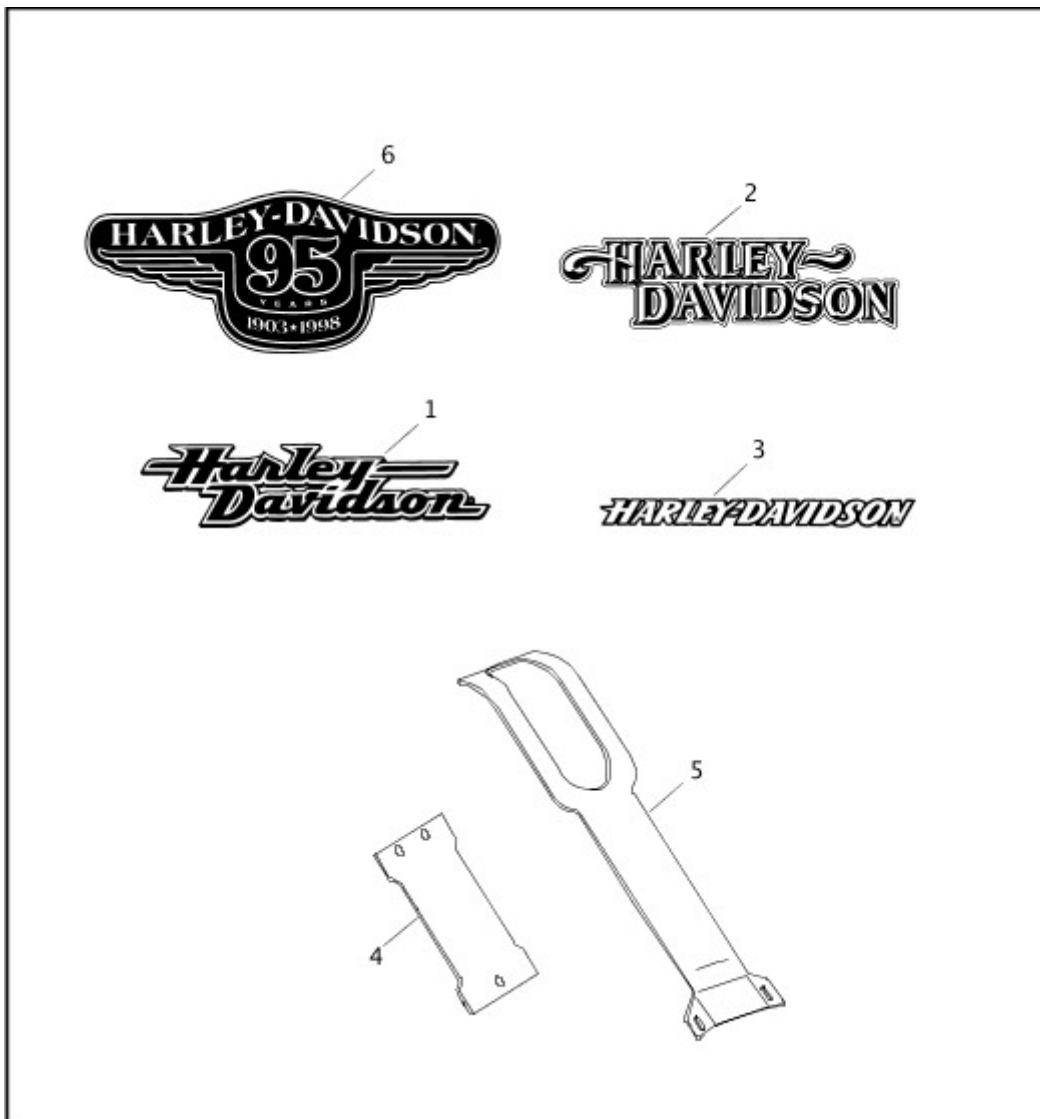




[View interactive table](#)

INDEX NO.	PART NO.	DESCRIPTION	MODEL(S)
9	27250-96B	CONNECTOR, 90 degree elbow	ALL
17	61272-92C	FILLER CAP, vacuum vent	ALL
	61338-94D	VALVE, body, w/ 61338-02, 62161-02, 62170-02 & 62172-02 (replaces 61338-94B)	ALL
21	62161-02	NUT	ALL
22	62170-02	FILTER (used w/ 61338-94D)	ALL
	62170-81B	FILTER (used w/ 61338-94B)	ALL
23	62172-02	GASKET, fuel filter	ALL
	63501-68B	HOSE, 1/4 inch I.D. x 5/8 inch O.D. (rubber) (25 feet)	ALL
26	62555-95	INSULATOR, 1/2 inch I.D. (nylon) (8 feet)	ALL

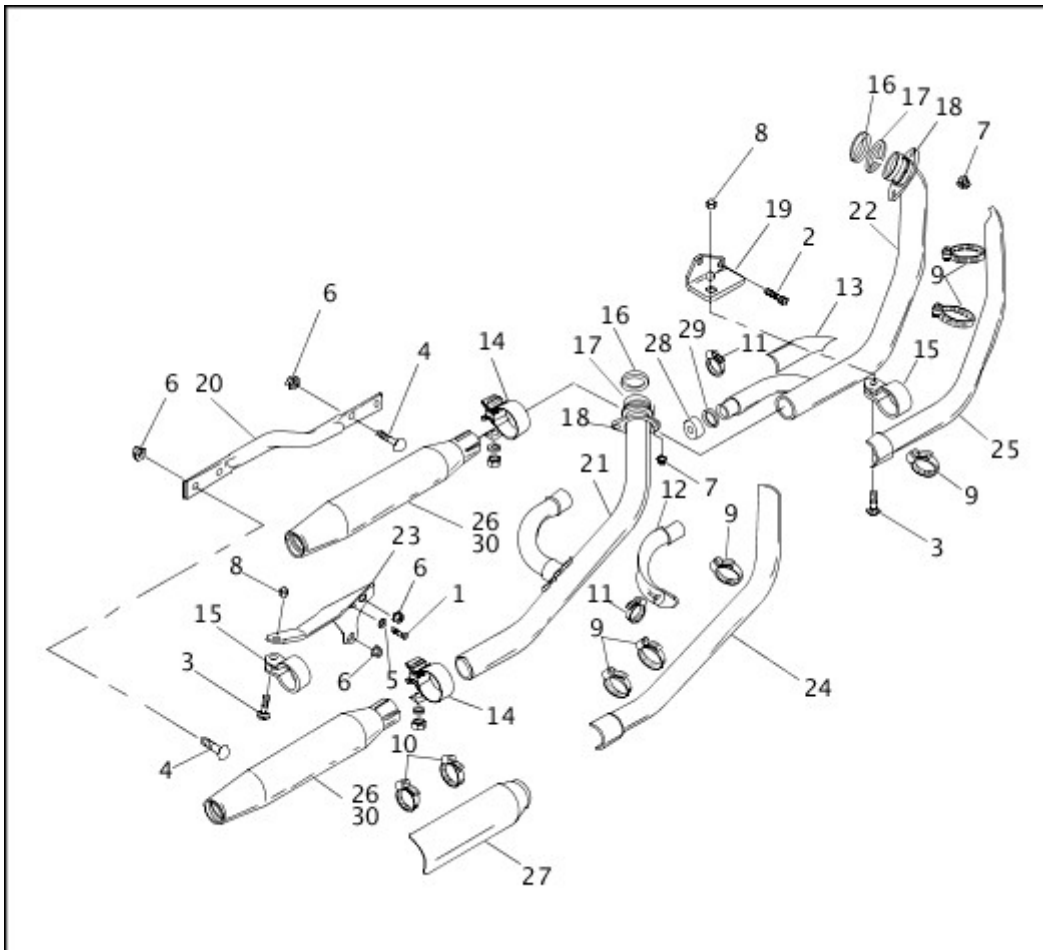
## [FUEL TANK TRIM](#)



[View interactive table](#)

INDEX NO.	PART NO.	DESCRIPTION	MODEL(S)
5	61244-02	TRIM PANEL	FXDL
6	62065-98	EMBLEM, fuel tank (LH) (midnight red) 95th anniversary **RESTRICTED SALES PART**	FXDWG
	62066-98	EMBLEM, fuel tank (RH) (midnight red) 95th anniversary **RESTRICTED SALES PART**	FXDWG

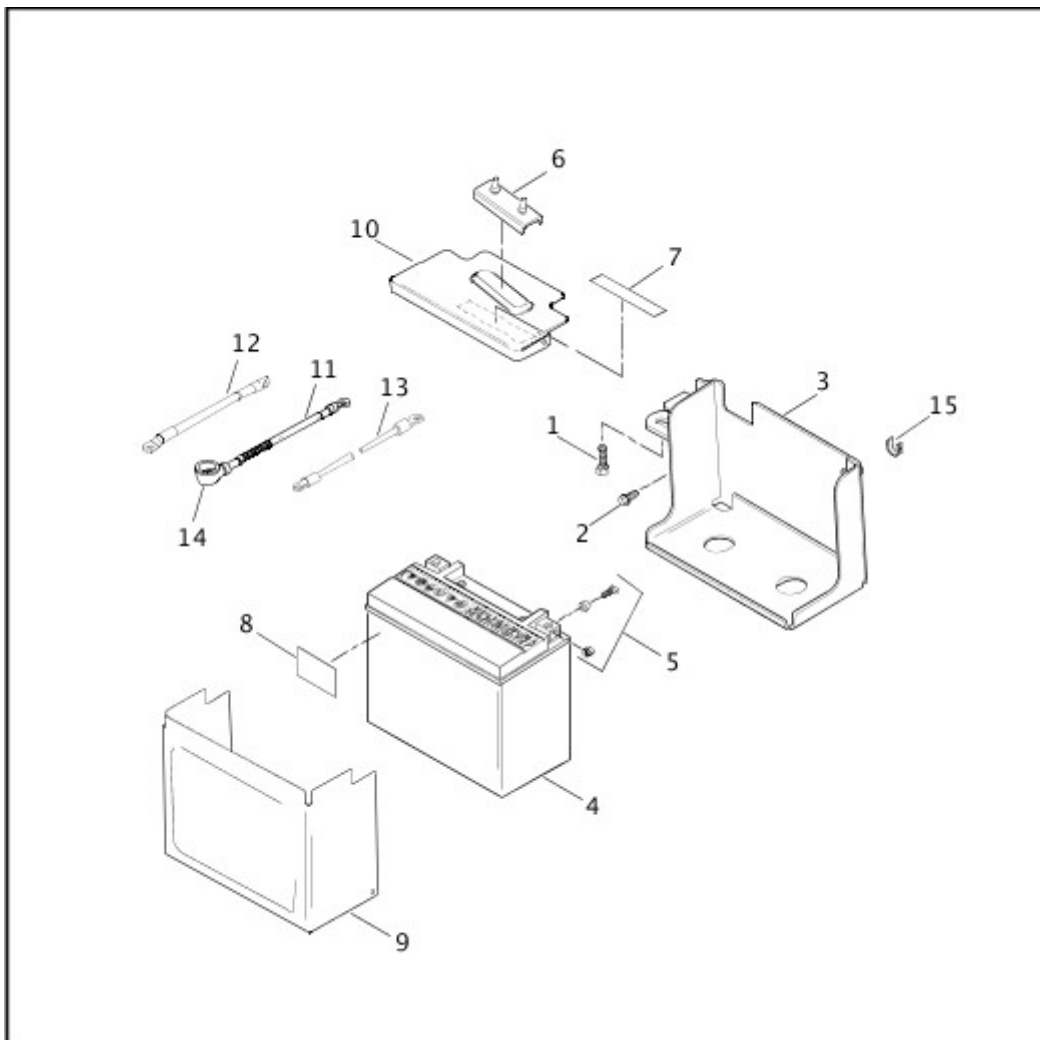
## [EXHAUST SYSTEM](#)



[View interactive table](#)

INDEX NO.	PART NO.	DESCRIPTION	MODEL(S)
12	65376-95A	SHIELD, crossover, rear	ALL
14	65296-95A	CLAMP KIT, w/ hardware (2)	ALL
16	65324-83B	GASKET, exhaust port (2)	ALL
18	65328-83A	FLANGE, exhaust manifold	ALL
21	65668-98	EXHAUST PIPE, rear	ALL
22	65669-98	EXHAUST PIPE, front	ALL
	65844-95A	MUFFLER (catalytic) (California) (2)	ALL

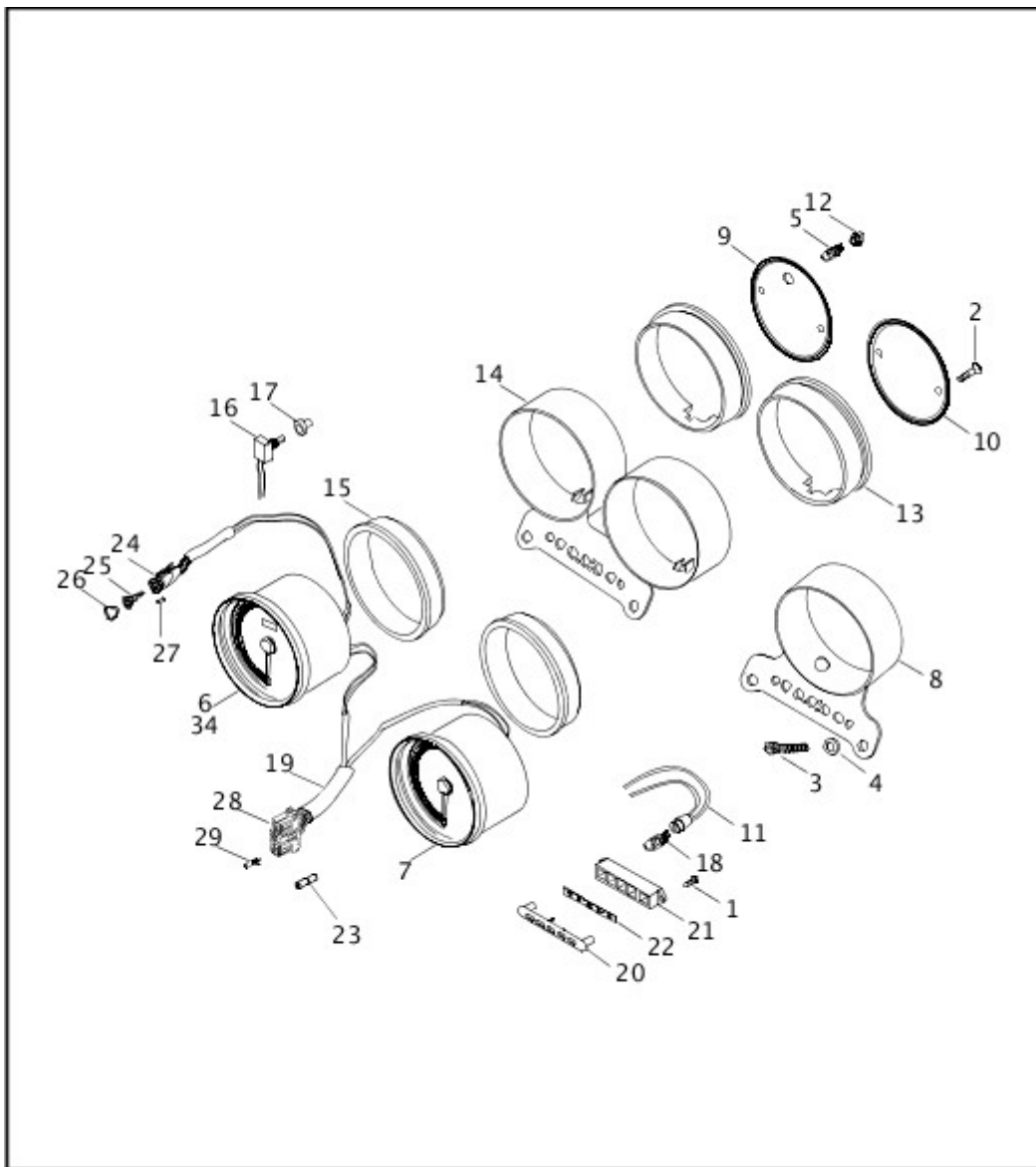
## **BATTERY TRAY & BATTERY**



[View interactive table](#)

INDEX NO.	PART NO.	DESCRIPTION	MODEL(S)
3	47132-97B	TRAY, battery	ALL
4	65989-97C	BATTERY	ALL
11	70102-96A	CABLE ASSEMBLY, battery positive	ALL

## [INSTRUMENTS - FXD & FXDS-CON](#)

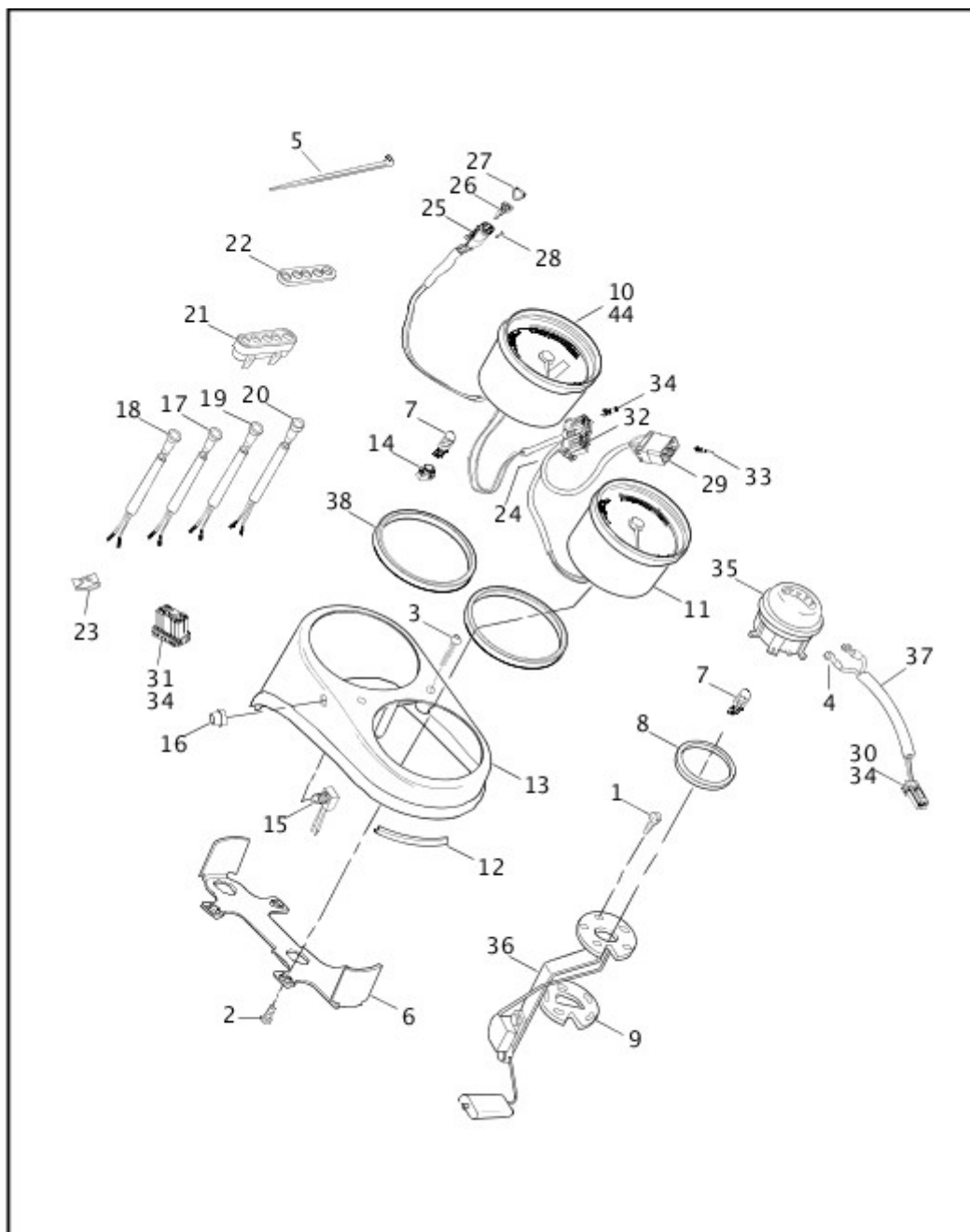


[View interactive table](#)

INDEX NO.	PART NO.	DESCRIPTION	MODEL(S)
6	67025-96C	SPEEDOMETER, mph	FXD, FXDS CONV
7	67042-95A	TACHOMETER	FXDS CONV
14	67338-97	BRACKET, speedometer & tachometer	FXDS CONV
15	67121-95A	CUSHION, front	FXD
15	67121-95A	CUSHION, front (2)	FXDS CONV
16	67854-98	SWITCH, reset	FXD, FXDS CONV
19	68812-98	HARNESS, warning lamp	FXD
	68850-98	HARNESS, warning lamp	FXDS CONV
33	72241-94A	TERMINAL, ring type, #10 speedometer/tachometer (as required) (not illustrated)	FXD, FXDS CONV

INDEX NO.	PART NO.	DESCRIPTION	MODEL(S)
34	67177-95C	SPEEDOMETER, kph (HDI)	FXD, FXDS CONV
	67257-95C	SPEEDOMETER, dual mph/kph (Great Britain)	FXD, FXDS CONV

## INSTRUMENTS - FXDL



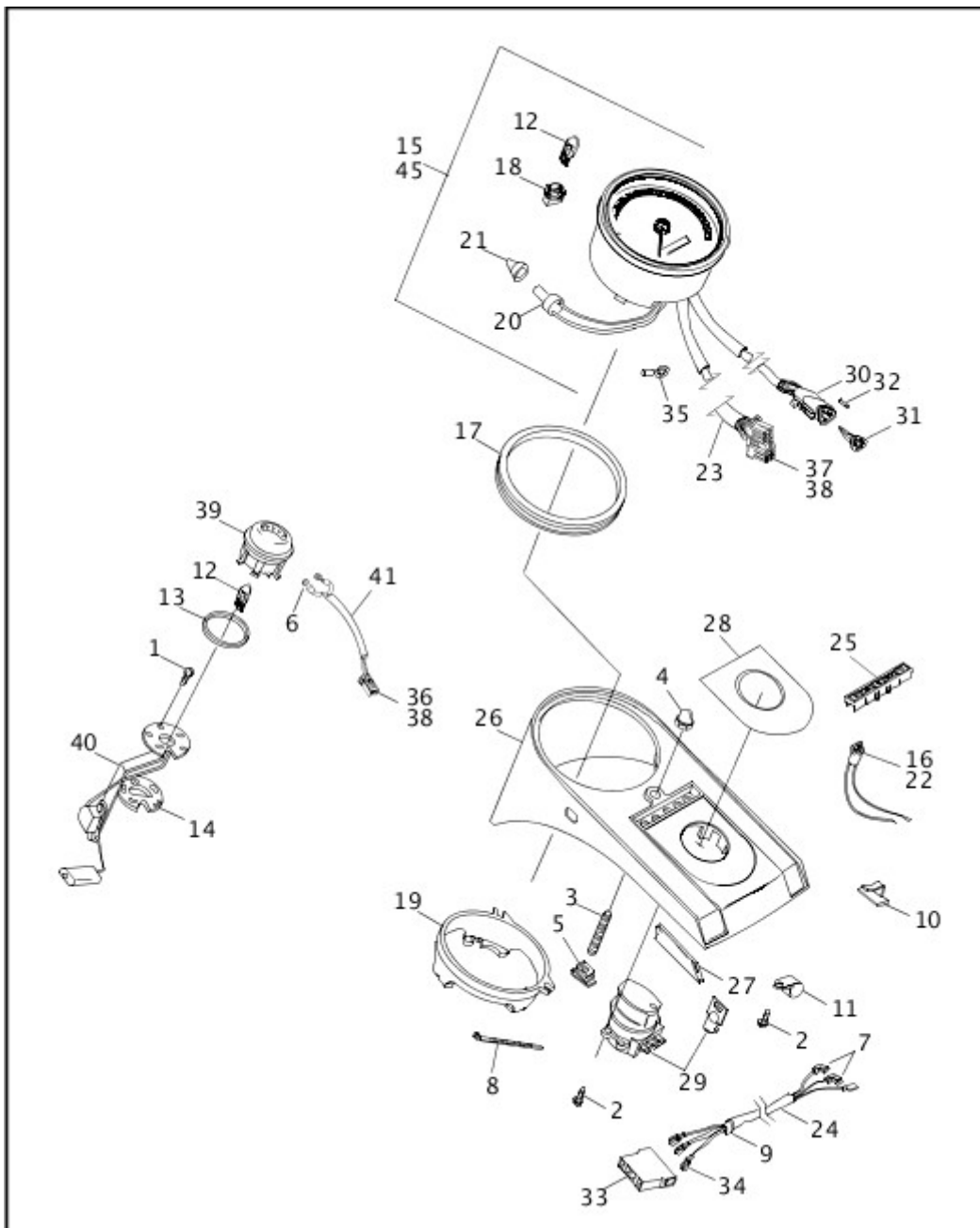
[View interactive table](#)

INDEX NO.	PART NO.	DESCRIPTION	MODEL(S)
1	1311D	SCREW (5)	FXDL
6	48047-95A	BRACKET, instrument	FXDL

INDEX NO.	PART NO.	DESCRIPTION	MODEL(S)
8	61192-96A	GASKET, cap gauge	FXDL
10	67025-96C	SPEEDOMETER, mph	FXDL
11	67042-95A	TACHOMETER	FXDL
15	67854-98	SWITCH, reset	FXDL
24	68815-98	HARNESS, warning lamp	FXDL
35	75049-88C	FUEL GAUGE	FXDL
36	75062-90A	SENDING UNIT, w/ gasket	FXDL
37	75120-96A	HARNESS, fuel gage	FXDL
43	72241-94A	TERMINAL, ring type, #10 speedometer/tachometer (as required) (not illustrated)	FXDL
44	67177-95C	SPEEDOMETER, kph (HDI)	FXDL
	67257-95C	SPEEDOMETER, dual mph/kph (Great Britain)	FXDL

## **INSTRUMENTS - FXDWG**



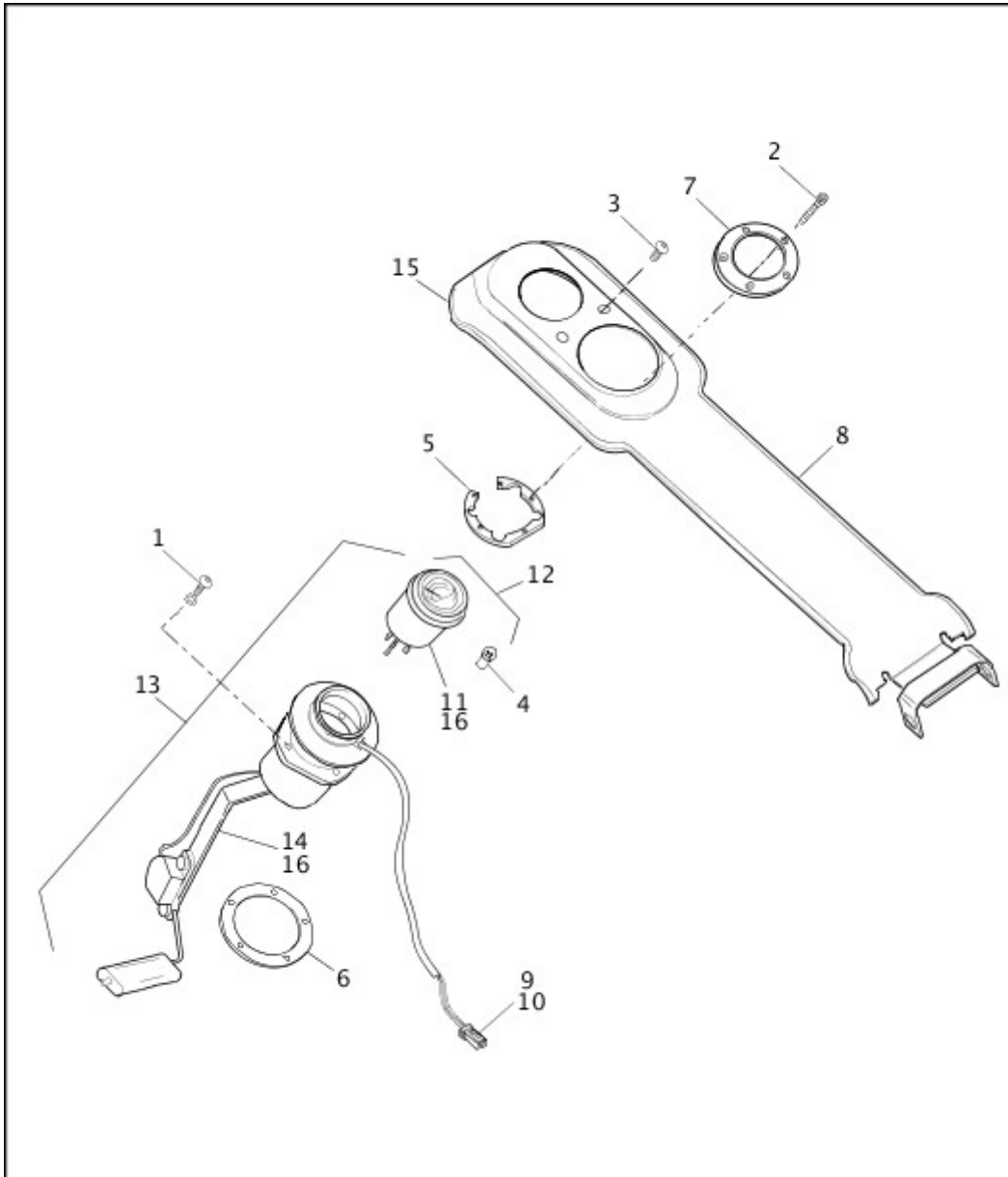


[View interactive table](#)

INDEX NO.	PART NO.	DESCRIPTION	MODEL(S)
1	1311D	SCREW (5)	FXDWG
13	61192-96A	GASKET, cap gauge	FXDWG
15	67178-96C	SPEEDOMETER, mph	FXDWG
20	67854-98	SWITCH, reset	FXDWG
23	68774-98	HARNES, warning lamp	FXDWG
28	71302-93A	NAMEPLATE, ignition switch	FXDWG
29	71450-04	LOCK SET, w/ fork lock, keys & ignition switch	FXDWG
	71313-96A	IGNITION SWITCH, w/ keys	FXDWG
35	72241-94A	TERMINAL, ring type, #10 hole, 18-20 gauge (3)	FXDWG
39	75049-88C	FUEL GAUGE	FXDWG

INDEX NO.	PART NO.	DESCRIPTION	MODEL(S)
40	75062-90A	SENDING UNIT, w/ gasket	FXDWG
41	75120-96A	FUEL GAUGE HARNESS	FXDWG
45	67179-95C	SPEEDOMETER, kph (HDI)	FXDWG
	67256-98	SPEEDOMETER, dual mph/kph (Great Britain)	FXDWG

## FUEL TANK INSTRUMENTS - FXD & FXDS-CON

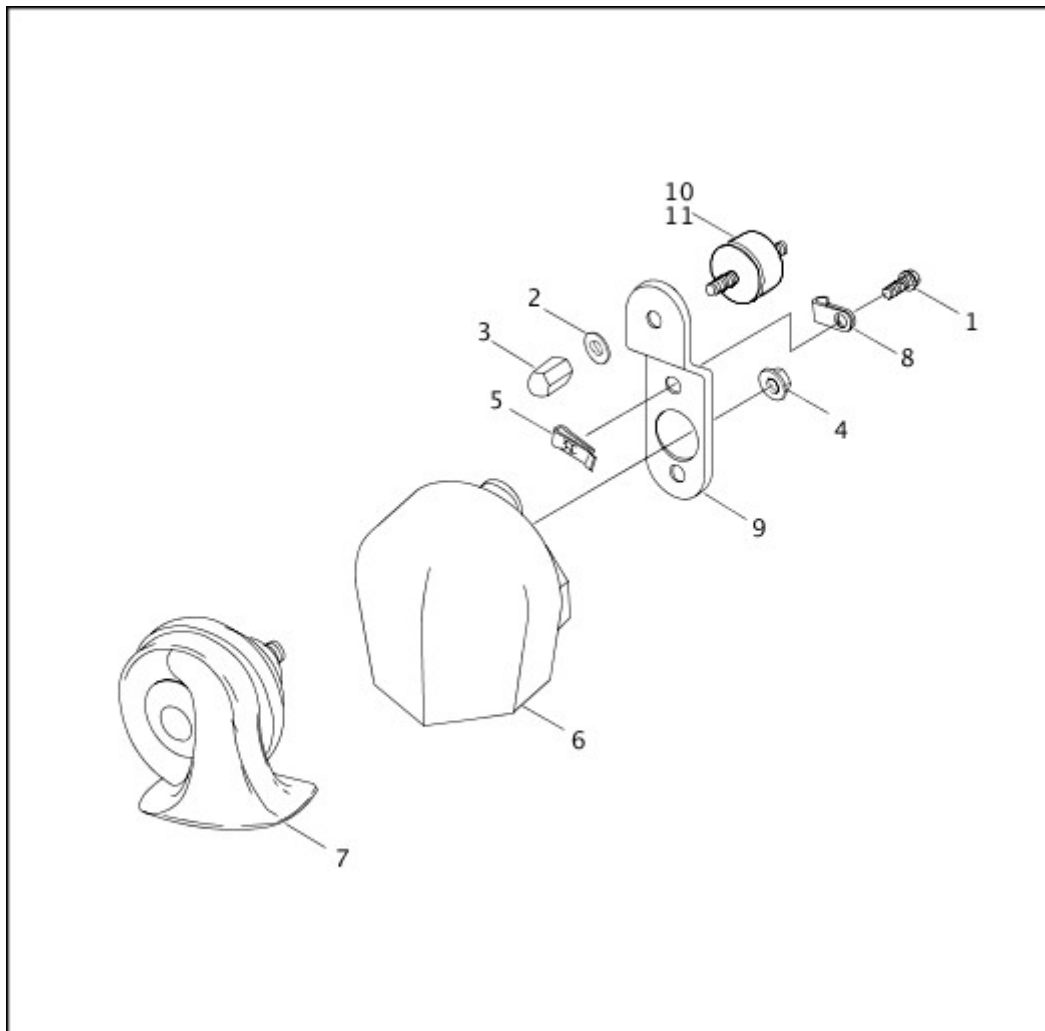


View interactive table

INDEX NO.	PART NO.	DESCRIPTION	MODEL(S)
1	1311D	SCREW, sealing (5)	FXD, FXDS CONV
2	3058	SCREW (5)	FXD, FXDS CONV
6	61344-01	GASKET (used w/ 75078-01)	FXD, FXDS CONV

INDEX NO.	PART NO.	DESCRIPTION	MODEL(S)
8	61223-02	TRIM PANEL ASSEMBLY, w/ 61772-01A	FXD, FXDS CONV
9	72912-01BK	SOCKET HOUSING, 2-place (used w/ 75078-01)	FXD, FXDS CONV
10	72991-01	SOCKET CONTACT, 18-22 AWG (used w/ 75078-01) (2)	FXD, FXDS CONV
	75067-01	FUEL GAUGE, w/ pins, terminals & boots (used w/ 75066-01)	FXD, FXDS CONV
13	75066-96B	GAUGE FUEL/SENDER ASSEMBLY, w/ 75066-01 (replaces 75066-96A)	FXD, FXDS CONV
14	75078-01	SENDING UNIT, w/ 61344-01, 72912-01BK & 72991-01 (used w/ 75066-01)	FXD, FXDS CONV
15	61772-01A	TRIM, edging	FXD, FXDS CONV
16	75066-01	FUEL GAUGE & SENDER, w/ 75067-01 & 75078-01 (used w/ 75066-96B)	FXD, FXDS CONV

## HORN

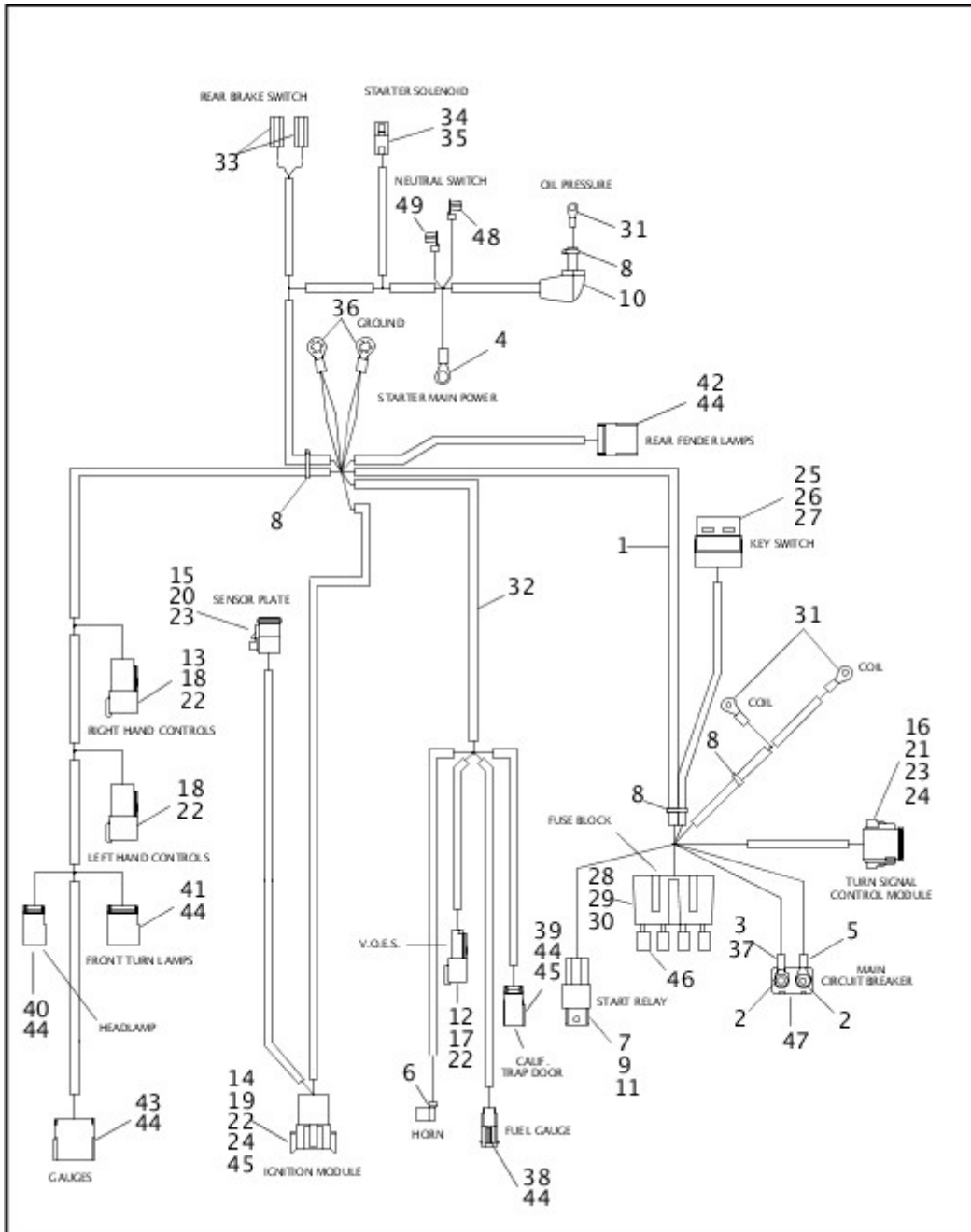


[View interactive table](#)

INDEX NO.	PART NO.	DESCRIPTION	MODEL(S)
7	69060-90F	HORN ASSEMBLY, w/ 7495	ALL

INDEX NO.	PART NO.	DESCRIPTION	MODEL(S)
10	69123-92A	MOUNT, horn (rubber)	ALL

## WIRING HARNESS, MAIN

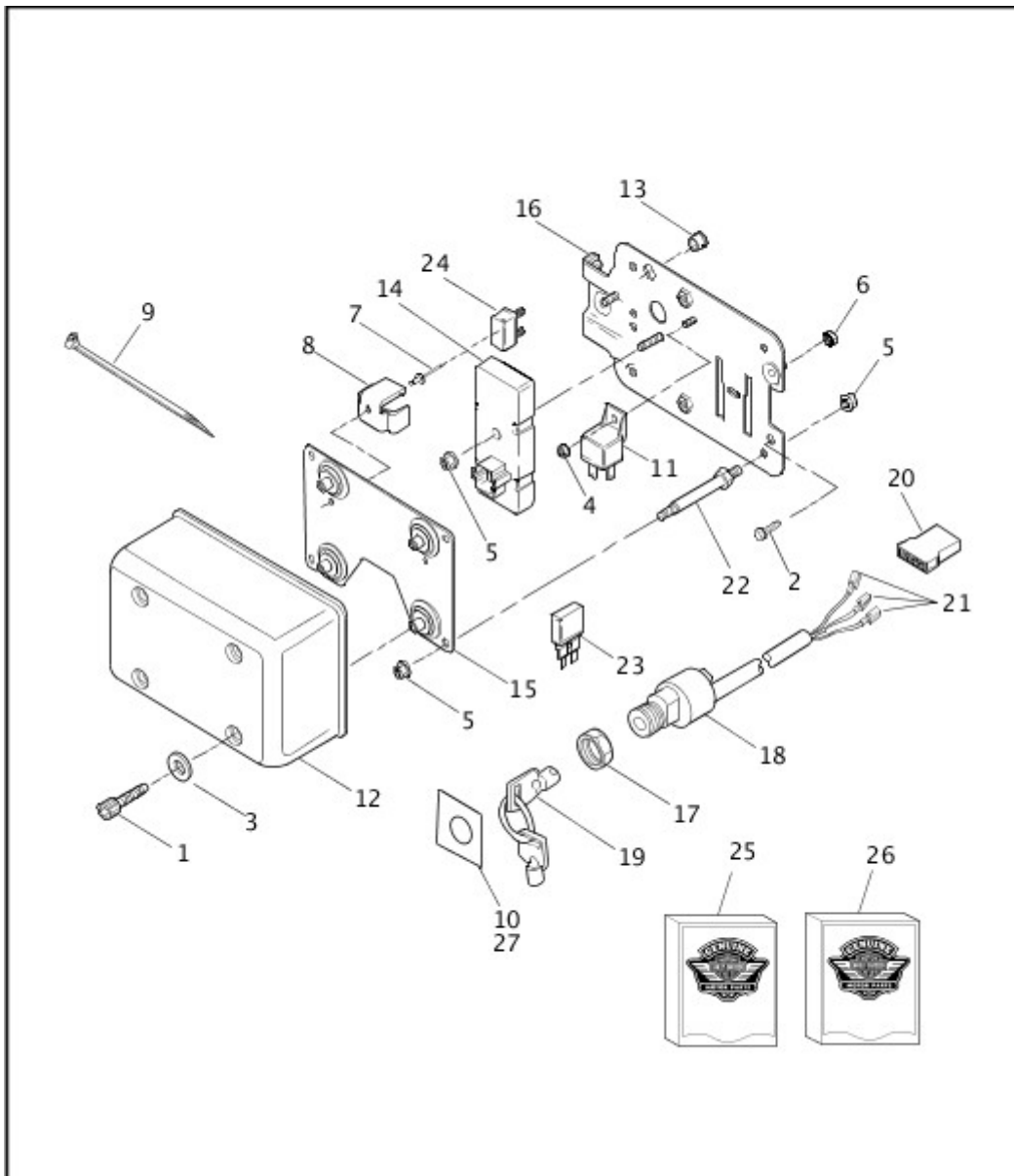


View interactive table

INDEX NO.	PART NO.	DESCRIPTION	MODEL(S)
1	69558-98	MAIN WIRING HARNESS	ALL
9	31504-91B	RELAY, w/ diode (starter)	ALL
31	72241-94A	TERMINAL, #10 ring 18-20 gauge (3)	ALL
48	72405-98BK	TERMINAL (black)	ALL

INDEX NO.	PART NO.	DESCRIPTION	MODEL(S)
49	72405-98TN	TERMINAL (tan)	ALL

## SWITCHES & CIRCUIT BREAKERS

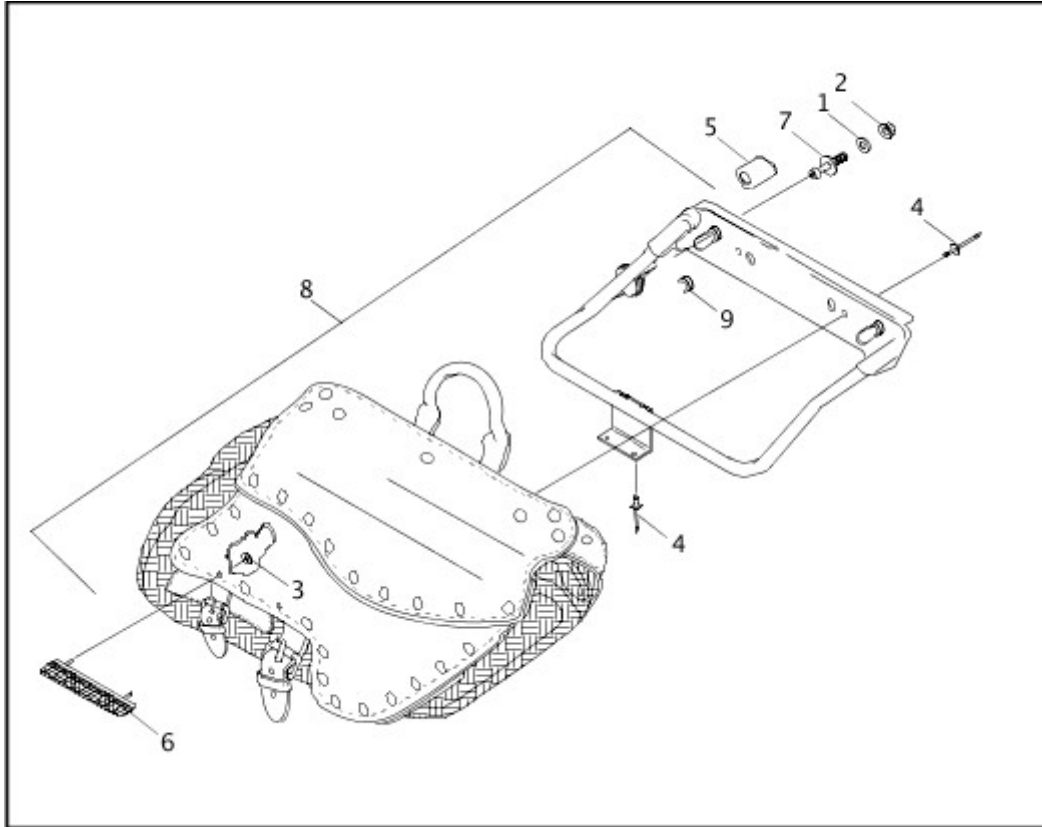


[View interactive table](#)

INDEX NO.	PART NO.	DESCRIPTION	MODEL(S)
1	3594	SCREW (4)	ALL
10	14117-96A	DECAL, ignition switch	FXD, FXDL, FXDS CONV
11	31504-91B	RELAY, w/ diode (starter)	ALL
15	70984-96A	TOP PLATE, electrical panel	ALL
22	72342-90A	STAND OFF (4)	ALL
25	71450-04	LOCKSET, fork & ignition, w/ key	FXDWG

INDEX NO.	PART NO.	DESCRIPTION	MODEL(S)
26	71421-90B	LOCKSET, fork & ignition, w/ key	FXD, FXDL, FXDS CONV
27	14117-96A	DECAL, ignition switch (HDI)	FXD, FXDL, FXDS CONV

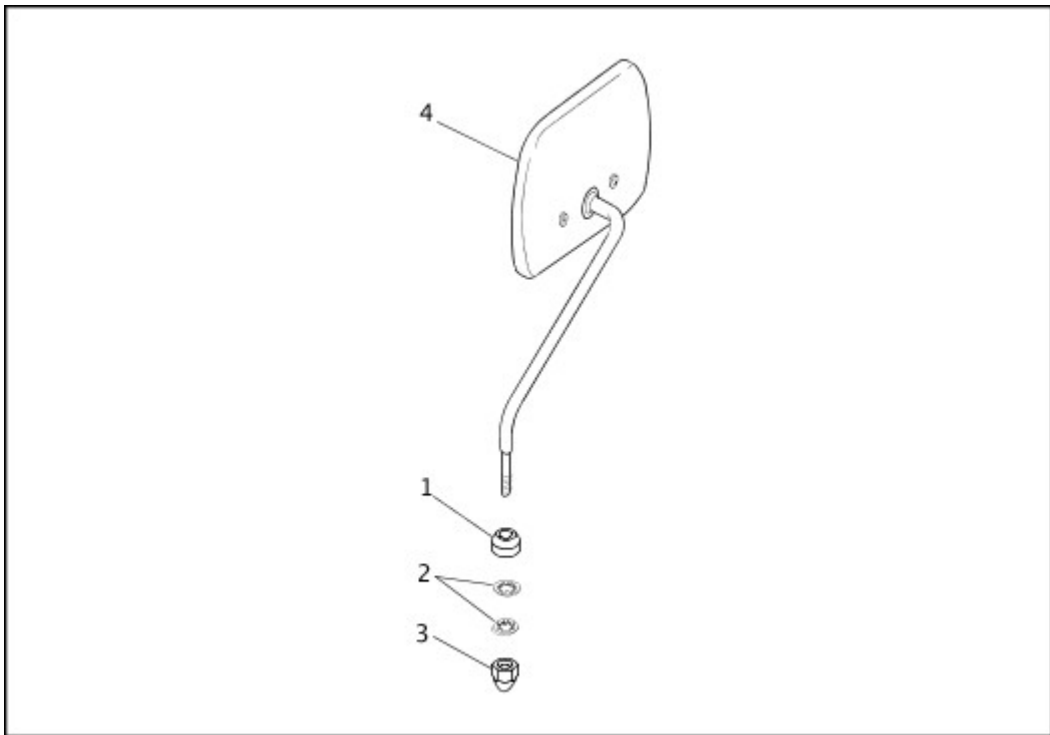
## **SADDLEBAGS - FXDS-CON**



[View interactive table](#)

INDEX NO.	PART NO.	DESCRIPTION	MODEL(S)
8	91184-96A	SADDLEBAG ASSEMBLY, right	FXDS CONV
	91185-96A	SADDLEBAG ASSEMBLY, left	FXDS CONV

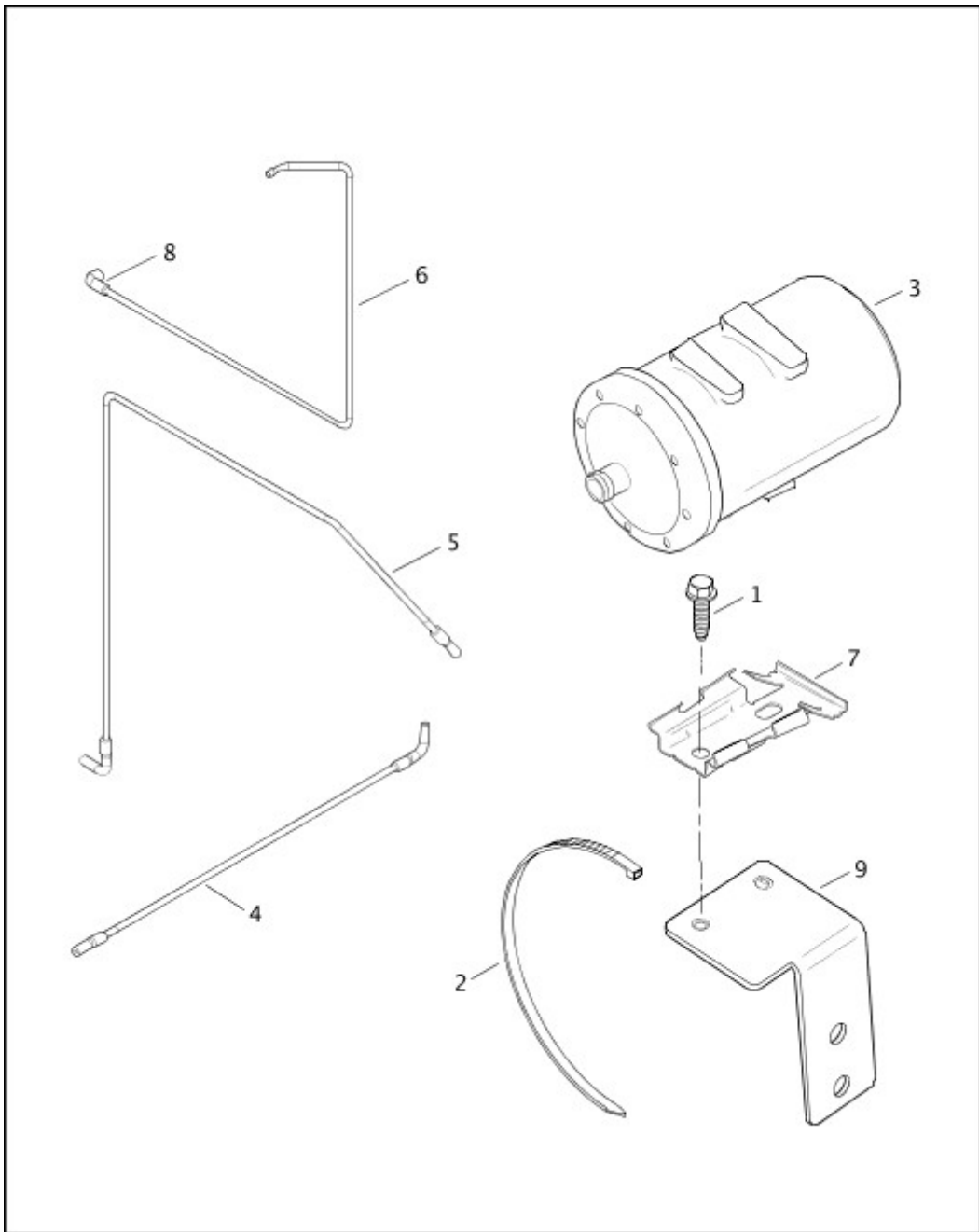
## **MIRRORS**



[View interactive table](#)

INDEX NO.	PART NO.	DESCRIPTION	MODEL(S)
4	91875-88A	MIRROR KIT, short, right, convex	ALL
	91892-88A	MIRROR KIT, short, left, convex	ALL

## **CALIFORNIA EVAPORATIVE EMISSIONS KIT**



[View interactive table](#)

INDEX NO.	PART NO.	DESCRIPTION	MODEL(S)
4	27189-96A	TUBE, tank to canister	ALL
6	28886-96	UPTUBE ASSEMBLY	ALL
7	27047-84B	CANISTER BRACKET	ALL

#### Numerical Index

[View interactive table](#)

1000	<a href="#">SEATS &amp; SISSY BAR</a>
10006	<a href="#">TAIL LAMP &amp; REAR TURN SIGNALS</a> <a href="#">CALIFORNIA EVAPORATIVE EMISSIONS KIT</a>
10014	<a href="#">CARBURETOR (1 OF 2)</a> <a href="#">FUEL TANKS</a>
10031	<a href="#">FRONT BRAKE CONTROL</a>



10039	<a href="#"><u>FRAME &amp; JIFFY STAND INSTRUMENTS - FXDWG</u></a>
10053	<a href="#"><u>FRONT BRAKE CONTROL REAR BRAKE CONTROL</u></a>
1005A	<a href="#"><u>WINDSHIELD - FXDS-CON</u></a>
10065	<a href="#"><u>TAIL LAMP &amp; REAR TURN SIGNALS INSTRUMENTS - FXDL INSTRUMENTS - FXDWG WIRING HARNESS, MAIN SWITCHES &amp; CIRCUIT BREAKERS</u></a>
10073	<a href="#"><u>THROTTLE CONTROL</u></a>
10074	<a href="#"><u>EXHAUST SYSTEM</u></a>
10080	<a href="#"><u>OIL FILTERS &amp; MOUNTS TRANSMISSION HOUSING &amp; OIL TANK</u></a>
10102	<a href="#"><u>TAIL LAMP &amp; REAR TURN SIGNALS FUEL TANKS INSTRUMENTS - FXDWG</u></a>
10108	<a href="#"><u>CLUTCH CONTROL FUEL TANKS</u></a>
10112	<a href="#"><u>OIL FILTERS &amp; MOUNTS</u></a>
10119	<a href="#"><u>EXHAUST SYSTEM</u></a>
10181	<a href="#"><u>HANDLEBAR SWITCHES</u></a>
10183	<a href="#"><u>FRONT &amp; REAR FENDER &amp; REAR FENDER COVERS FRONT &amp; REAR FENDER &amp; REAR FENDER COVERS</u></a>
10184	<a href="#"><u>FRONT &amp; REAR FENDER &amp; REAR FENDER COVERS</u></a>
10188	<a href="#"><u>FRONT &amp; REAR FENDER &amp; REAR FENDER COVERS</u></a>
10998	<a href="#"><u>TRANSMISSION BEARINGS &amp; SIDE COVERS</u></a>
11002	<a href="#"><u>OIL PUMP</u></a>
11005	<a href="#"><u>REAR BRAKE CONTROL</u></a>
11016	<a href="#"><u>GEAR SHIFTER (1 OF 2)</u></a>
11067	<a href="#"><u>TRANSMISSION GEARS</u></a>
11083	<a href="#"><u>GEAR SHIFTER (1 OF 2)</u></a>
11096	<a href="#"><u>CLUTCH</u></a>
11105	<a href="#"><u>CRANKCASE - GEAR SIDE OIL PUMP TRANSMISSION HOUSING &amp; OIL TANK</u></a>
11116	<a href="#"><u>STARTER MOTOR</u></a>

11117A	<a href="#"><u>GEAR SHIFTER (1 OF 2)</u></a>
11132A	<a href="#"><u>ROCKER ARMS, COVERS &amp; PUSHRODS - V2™ EVOLUTION TRANSMISSION BEARINGS &amp; SIDE COVERS TRANSMISSION HOUSING &amp; OIL TANK</u></a>
11139	<a href="#"><u>REAR FORK</u></a>
11140	<a href="#"><u>TRANSMISSION HOUSING &amp; OIL TANK</u></a>
11143	<a href="#"><u>CLUTCH CONTROL FRONT BRAKE CONTROL</u></a>
11145A	<a href="#"><u>ROCKER ARMS, COVERS &amp; PUSHRODS - V2™ EVOLUTION</u></a>
11147B	<a href="#"><u>PRIMARY HOUSING</u></a>
11150	<a href="#"><u>GEAR SHIFTER (1 OF 2)</u></a>
11155	<a href="#"><u>THROTTLE CONTROL</u></a>
11157	<a href="#"><u>ROCKER ARMS, COVERS &amp; PUSHRODS - V2™ EVOLUTION</u></a>
11160A	<a href="#"><u>CRANKCASE</u></a>
11161	<a href="#"><u>TRANSMISSION BEARINGS &amp; SIDE COVERS</u></a>
11165	<a href="#"><u>TRANSMISSION BEARINGS &amp; SIDE COVERS</u></a>
11177A	<a href="#"><u>CRANKCASE</u></a>
11179	<a href="#"><u>TRANSMISSION BEARINGS &amp; SIDE COVERS</u></a>
11182	<a href="#"><u>STARTER MOTOR</u></a>
11192	<a href="#"><u>CAM POSITION SENSOR &amp; VACUUM SWITCH</u></a>
11218	<a href="#"><u>PISTONS, CONNECTING RODS &amp; FLYWHEELS</u></a>
11219	<a href="#"><u>PISTONS, CONNECTING RODS &amp; FLYWHEELS CRANKCASE - GEAR SIDE</u></a>
11241	<a href="#"><u>OIL PUMP</u></a>
11248	<a href="#"><u>STARTER MOTOR</u></a>
11271	<a href="#"><u>THROTTLE CONTROL</u></a>
11272	<a href="#"><u>THROTTLE CONTROL</u></a>
11290	<a href="#"><u>TRANSMISSION HOUSING &amp; OIL TANK</u></a>
11292	<a href="#"><u>AIR CLEANER &amp; ENRICHENER</u></a>
11411	<a href="#"><u>BELTS, CHAINS, SPROCKETS &amp; REAR BELT GUARD</u></a>
11457	<a href="#"><u>FRAME &amp; JIFFY STAND</u></a>
11458	<a href="#"><u>BELTS, CHAINS, SPROCKETS &amp; REAR BELT GUARD</u></a>
11460	<a href="#"><u>AIR CLEANER &amp; ENRICHENER</u></a>

	<a href="#">FUEL TANKS</a>
11739B	<a href="#">GEAR SHIFTER (1 OF 2)</a>
12026B	<a href="#">CRANKCASE</a>
12035B	<a href="#">TRANSMISSION GEARS</a>
12045	<a href="#">GEAR SHIFTER (1 OF 2)</a>
12052A	<a href="#">PRIMARY HOUSING</a>
12066A	<a href="#">PRIMARY HOUSING</a>
12067B	<a href="#">TRANSMISSION BEARINGS &amp; SIDE COVERS</a>
1311D	<a href="#">INSTRUMENTS - FXDL</a> <a href="#">INSTRUMENTS - FXDWG</a> <a href="#">FUEL TANK INSTRUMENTS - FXD &amp; FXDS-CON</a>
14117-96A	<a href="#">FRAME &amp; JIFFY STAND</a> <a href="#">FRAME &amp; JIFFY STAND</a> <a href="#">SWITCHES &amp; CIRCUIT BREAKERS</a> <a href="#">SWITCHES &amp; CIRCUIT BREAKERS</a>
14227-88	<a href="#">WINDSHIELD - FXDS-CON</a>
14263-91	<a href="#">TRANSMISSION HOUSING &amp; OIL TANK</a>
14268-92	<a href="#">TRANSMISSION HOUSING &amp; OIL TANK</a>
14270-92	<a href="#">GEAR SHIFTER (2 OF 2)</a>
14273-96	<a href="#">FRAME &amp; JIFFY STAND</a> <a href="#">FRAME &amp; JIFFY STAND</a>
14289-94	<a href="#">FUEL TANK TRIM</a>
14293-94	<a href="#">FUEL TANK TRIM</a>
14522-96	<a href="#">FUEL TANK TRIM</a>
14523-96	<a href="#">FUEL TANK TRIM</a>
14524-96	<a href="#">FUEL TANK TRIM</a>
14525-96	<a href="#">FUEL TANK TRIM</a>
1601	<a href="#">CAM POSITION SENSOR &amp; VACUUM SWITCH</a>
1602	<a href="#">SEATS &amp; SISSY BAR</a>
16165-98	<a href="#">ENGINE</a>
16166-98	<a href="#">ENGINE</a>
16167-98	<a href="#">ENGINE</a>
16174-98	<a href="#">ENGINE</a>
16175-98	<a href="#">ENGINE</a>

16178-98	<a href="#"><u>ENGINE</u></a>
16241-90	<a href="#"><u>CYLINDERS, VALVES &amp; HEADS - V2™ EVOLUTION</u></a>
16242-90	<a href="#"><u>CYLINDERS, VALVES &amp; HEADS - V2™ EVOLUTION</u></a>
16258-95C	<a href="#"><u>CYLINDERS, VALVES &amp; HEADS - V2™ EVOLUTION</u></a>
16478-85A	<a href="#"><u>CYLINDERS, VALVES &amp; HEADS - V2™ EVOLUTION</u></a>
16480-92A	<a href="#"><u>CYLINDERS, VALVES &amp; HEADS - V2™ EVOLUTION</u></a>
16510-83A	<a href="#"><u>CYLINDERS, VALVES &amp; HEADS - V2™ EVOLUTION</u></a>
16512-86A	<a href="#"><u>CYLINDERS, VALVES &amp; HEADS - V2™ EVOLUTION</u></a>
16573-83A	<a href="#"><u>CYLINDERS, VALVES &amp; HEADS - V2™ EVOLUTION</u></a>
16690-92B	<a href="#"><u>CYLINDERS, VALVES &amp; HEADS - V2™ EVOLUTION</u></a>
16691-92B	<a href="#"><u>CYLINDERS, VALVES &amp; HEADS - V2™ EVOLUTION</u></a>
16692-95	<a href="#"><u>CYLINDERS, VALVES &amp; HEADS - V2™ EVOLUTION</u></a>
16696-92A	<a href="#"><u>CYLINDERS, VALVES &amp; HEADS - V2™ EVOLUTION</u></a>
16708-95A	<a href="#"><u>TRANSMISSION BEARINGS &amp; SIDE COVERS</u></a>
16709-95	<a href="#"><u>TRANSMISSION BEARINGS &amp; SIDE COVERS</u></a>
16715-83	<a href="#"><u>CYLINDERS, VALVES &amp; HEADS - V2™ EVOLUTION</u></a>
16770-84F	<a href="#"><u>CYLINDERS, VALVES &amp; HEADS - V2™ EVOLUTION</u></a>
16774-86D	<a href="#"><u>CYLINDERS, VALVES &amp; HEADS - V2™ EVOLUTION</u></a>
16778-84A	<a href="#"><u>ROCKER ARMS, COVERS &amp; PUSHRODS - V2™ EVOLUTION</u></a>
16779-84B	<a href="#"><u>ROCKER ARMS, COVERS &amp; PUSHRODS - V2™ EVOLUTION</u></a>
16800-84A	<a href="#"><u>ROCKER ARMS, COVERS &amp; PUSHRODS - V2™ EVOLUTION</u></a>
16837-85C	<a href="#"><u>CYLINDERS, VALVES &amp; HEADS - V2™ EVOLUTION</u></a> <a href="#"><u>CRANKCASE</u></a>
17040-92A	<a href="#"><u>CYLINDERS, VALVES &amp; HEADS - V2™ EVOLUTION</u></a>
17041-92A	<a href="#"><u>CYLINDERS, VALVES &amp; HEADS - V2™ EVOLUTION</u></a>
17042-92A	<a href="#"><u>ROCKER ARMS, COVERS &amp; PUSHRODS - V2™ EVOLUTION</u></a>
17355-92A	<a href="#"><u>ROCKER ARMS, COVERS &amp; PUSHRODS - V2™ EVOLUTION</u></a>
17356-92A	<a href="#"><u>ROCKER ARMS, COVERS &amp; PUSHRODS - V2™ EVOLUTION</u></a>
17358-84B	<a href="#"><u>ROCKER ARMS, COVERS &amp; PUSHRODS - V2™ EVOLUTION</u></a>
17360-83A	<a href="#"><u>ROCKER ARMS, COVERS &amp; PUSHRODS - V2™ EVOLUTION</u></a>
17375-83A	<a href="#"><u>ROCKER ARMS, COVERS &amp; PUSHRODS - V2™ EVOLUTION</u></a>

17429-91	<a href="#"><u>ROCKER ARMS, COVERS &amp; PUSHRODS - V2™ EVOLUTION</u></a>
17503-92A	<a href="#"><u>ROCKER ARMS, COVERS &amp; PUSHRODS - V2™ EVOLUTION</u></a>
17510-92A	<a href="#"><u>ROCKER ARMS, COVERS &amp; PUSHRODS - V2™ EVOLUTION</u></a>
17521-92A	<a href="#"><u>ROCKER ARMS, COVERS &amp; PUSHRODS - V2™ EVOLUTION</u></a>
17528-92	<a href="#"><u>ROCKER ARMS, COVERS &amp; PUSHRODS - V2™ EVOLUTION</u></a>
17529-92	<a href="#"><u>ROCKER ARMS, COVERS &amp; PUSHRODS - V2™ EVOLUTION</u></a>
17530-92	<a href="#"><u>ROCKER ARMS, COVERS &amp; PUSHRODS - V2™ EVOLUTION</u></a>
17611-83	<a href="#"><u>ROCKER ARMS, COVERS &amp; PUSHRODS - V2™ EVOLUTION</u></a>
1783C	<a href="#"><u>BELTS, CHAINS, SPROCKETS &amp; REAR BELT GUARD</u></a>
17921-83A	<a href="#"><u>ROCKER ARMS, COVERS &amp; PUSHRODS - V2™ EVOLUTION</u></a>
17924-83A	<a href="#"><u>ROCKER ARMS, COVERS &amp; PUSHRODS - V2™ EVOLUTION</u></a>
17927-83A	<a href="#"><u>ROCKER ARMS, COVERS &amp; PUSHRODS - V2™ EVOLUTION</u></a>
17930-83A	<a href="#"><u>ROCKER ARMS, COVERS &amp; PUSHRODS - V2™ EVOLUTION</u></a>
17935-79B	<a href="#"><u>ROCKER ARMS, COVERS &amp; PUSHRODS - V2™ EVOLUTION</u></a>
17938-83	<a href="#"><u>ROCKER ARMS, COVERS &amp; PUSHRODS - V2™ EVOLUTION</u></a>
17945-36B	<a href="#"><u>ROCKER ARMS, COVERS &amp; PUSHRODS - V2™ EVOLUTION</u></a>
17947-36	<a href="#"><u>ROCKER ARMS, COVERS &amp; PUSHRODS - V2™ EVOLUTION</u></a>
17950-66	<a href="#"><u>ROCKER ARMS, COVERS &amp; PUSHRODS - V2™ EVOLUTION</u></a>
1795A	<a href="#"><u>AIR CLEANER &amp; ENRICHENER</u></a>
18001-83B	<a href="#"><u>CYLINDERS, VALVES &amp; HEADS - V2™ EVOLUTION</u></a>
18011-86	<a href="#"><u>CYLINDERS, VALVES &amp; HEADS - V2™ EVOLUTION</u></a>
18020-83	<a href="#"><u>CYLINDERS, VALVES &amp; HEADS - V2™ EVOLUTION</u></a>
18074-83B	<a href="#"><u>CYLINDERS, VALVES &amp; HEADS - V2™ EVOLUTION</u></a>
18076-83	<a href="#"><u>CYLINDERS, VALVES &amp; HEADS - V2™ EVOLUTION</u></a>
18082-83A	<a href="#"><u>CYLINDERS, VALVES &amp; HEADS - V2™ EVOLUTION</u></a>
18087-83	<a href="#"><u>CYLINDERS, VALVES &amp; HEADS - V2™ EVOLUTION</u></a>
18101-83D	<a href="#"><u>CYLINDERS, VALVES &amp; HEADS - V2™ EVOLUTION</u></a>
18130-83D	<a href="#"><u>CYLINDERS, VALVES &amp; HEADS - V2™ EVOLUTION</u></a>
18131-83D	<a href="#"><u>CYLINDERS, VALVES &amp; HEADS - V2™ EVOLUTION</u></a>
18133-83B	<a href="#"><u>CYLINDERS, VALVES &amp; HEADS - V2™ EVOLUTION</u></a>
18201-83	<a href="#"><u>CYLINDERS, VALVES &amp; HEADS - V2™ EVOLUTION</u></a>

18202-83	<a href="#"><u>CYLINDERS, VALVES &amp; HEADS - V2™ EVOLUTION</u></a>
18219-83A	<a href="#"><u>CYLINDERS, VALVES &amp; HEADS - V2™ EVOLUTION</u></a>
18222-83A	<a href="#"><u>CYLINDERS, VALVES &amp; HEADS - V2™ EVOLUTION</u></a>
18229-83A	<a href="#"><u>CYLINDERS, VALVES &amp; HEADS - V2™ EVOLUTION</u></a>
18523-86B	<a href="#"><u>ROCKER ARMS, COVERS &amp; PUSHRODS - V2™ EVOLUTION</u></a>
18540-83C	<a href="#"><u>ROCKER ARMS, COVERS &amp; PUSHRODS - V2™ EVOLUTION</u></a>
18542-83C	<a href="#"><u>ROCKER ARMS, COVERS &amp; PUSHRODS - V2™ EVOLUTION</u></a>
18622-85B	<a href="#"><u>ROCKER ARMS, COVERS &amp; PUSHRODS - V2™ EVOLUTION</u></a>
18623-85B	<a href="#"><u>ROCKER ARMS, COVERS &amp; PUSHRODS - V2™ EVOLUTION</u></a>
18633-48D	<a href="#"><u>ROCKER ARMS, COVERS &amp; PUSHRODS - V2™ EVOLUTION</u></a>
18634-48C	<a href="#"><u>ROCKER ARMS, COVERS &amp; PUSHRODS - V2™ EVOLUTION</u></a>
2152A	<a href="#"><u>WINDSHIELD - FXDS-CON</u></a>
21920-83	<a href="#"><u>PISTONS, CONNECTING RODS &amp; FLYWHEELS</u></a>
21921-83	<a href="#"><u>PISTONS, CONNECTING RODS &amp; FLYWHEELS</u></a>
21922-83	<a href="#"><u>PISTONS, CONNECTING RODS &amp; FLYWHEELS</u></a>
21923-83	<a href="#"><u>PISTONS, CONNECTING RODS &amp; FLYWHEELS</u></a>
21924-83	<a href="#"><u>PISTONS, CONNECTING RODS &amp; FLYWHEELS</u></a>
21940-83	<a href="#"><u>PISTONS, CONNECTING RODS &amp; FLYWHEELS</u></a>
21941-83	<a href="#"><u>PISTONS, CONNECTING RODS &amp; FLYWHEELS</u></a>
21942-83	<a href="#"><u>PISTONS, CONNECTING RODS &amp; FLYWHEELS</u></a>
21943-83	<a href="#"><u>PISTONS, CONNECTING RODS &amp; FLYWHEELS</u></a>
21944-83	<a href="#"><u>PISTONS, CONNECTING RODS &amp; FLYWHEELS</u></a>
22589-83B	<a href="#"><u>PISTONS, CONNECTING RODS &amp; FLYWHEELS</u></a>
2273A	<a href="#"><u>ALTERNATOR &amp; REGULATOR</u></a>
22764-83	<a href="#"><u>PISTONS, CONNECTING RODS &amp; FLYWHEELS</u></a>
2325	<a href="#"><u>INSTRUMENTS - FXD &amp; FXDS-CON</u></a>
2339	<a href="#"><u>IGNITION MODULE &amp; COIL</u></a>
2361	<a href="#"><u>INSTRUMENTS - FXD &amp; FXDS-CON</u></a> <a href="#"><u>INSTRUMENTS - FXD &amp; FXDS-CON</u></a> <a href="#"><u>INSTRUMENTS - FXDL</u></a>
239	<a href="#"><u>OIL PUMP</u></a>
23906-93B	<a href="#"><u>PISTONS, CONNECTING RODS &amp; FLYWHEELS</u></a>

23928-87	<a href="#"><u>PISTONS, CONNECTING RODS &amp; FLYWHEELS</u></a>
23961-80A	<a href="#"><u>PISTONS, CONNECTING RODS &amp; FLYWHEELS</u></a>
23974-87	<a href="#"><u>PISTONS, CONNECTING RODS &amp; FLYWHEELS</u></a>
23975-87	<a href="#"><u>PISTONS, CONNECTING RODS &amp; FLYWHEELS</u></a>
23981-98	<a href="#"><u>PISTONS, CONNECTING RODS &amp; FLYWHEELS</u></a>
24002-70	<a href="#"><u>CRANKCASE</u></a>
24040-93	<a href="#"><u>CRANKCASE - GEAR SIDE</u></a>
24041-93	<a href="#"><u>CRANKCASE - GEAR SIDE</u></a>
24042-93	<a href="#"><u>CRANKCASE - GEAR SIDE</u></a>
24043-93	<a href="#"><u>CRANKCASE - GEAR SIDE</u></a>
24044-93	<a href="#"><u>CRANKCASE - GEAR SIDE</u></a>
24045-93	<a href="#"><u>CRANKCASE - GEAR SIDE</u></a>
24046-93	<a href="#"><u>CRANKCASE - GEAR SIDE</u></a>
24281-83	<a href="#"><u>PISTONS, CONNECTING RODS &amp; FLYWHEELS</u></a>
24334-36	<a href="#"><u>PISTONS, CONNECTING RODS &amp; FLYWHEELS</u></a>
24335-36	<a href="#"><u>PISTONS, CONNECTING RODS &amp; FLYWHEELS</u></a>
24345-36A	<a href="#"><u>PISTONS, CONNECTING RODS &amp; FLYWHEELS</u></a>
24346-87A	<a href="#"><u>PISTONS, CONNECTING RODS &amp; FLYWHEELS</u></a>
24356-36A	<a href="#"><u>PISTONS, CONNECTING RODS &amp; FLYWHEELS</u></a>
24571-93	<a href="#"><u>CRANKCASE</u></a>
24572-93A	<a href="#"><u>CRANKCASE</u></a>
24586-93	<a href="#"><u>CRANKCASE - GEAR SIDE</u></a>
24599-93	<a href="#"><u>CRANKCASE</u></a>
24600-58B	<a href="#"><u>CRANKCASE</u></a>
24601-58B	<a href="#"><u>CRANKCASE</u></a>
24626-87A	<a href="#"><u>CRANKCASE</u></a>
24628-87A	<a href="#"><u>CRANKCASE</u></a>
24641-36	<a href="#"><u>CRANKCASE - GEAR SIDE</u></a>
24641-87A	<a href="#"><u>CRANKCASE</u></a>
24643-87A	<a href="#"><u>CRANKCASE</u></a>
24922-93	<a href="#"><u>AIR CLEANER &amp; ENRICHENER</u></a>

24925-95	<a href="#"><u>AIR CLEANER &amp; ENRICHENER</u></a>
24981-70	<a href="#"><u>CRANKCASE - GEAR SIDE</u></a>
24982-70	<a href="#"><u>CRANKCASE - GEAR SIDE</u></a>
2501A	<a href="#"><u>INSTRUMENTS - FXDWG</u></a>
2519	<a href="#"><u>INSTRUMENTS - FXDL</u></a>
25225-93B	<a href="#"><u>CRANKCASE - GEAR SIDE</u></a>
25254-93B	<a href="#"><u>CRANKCASE - GEAR SIDE</u></a>
25256-93A	<a href="#"><u>CRANKCASE - GEAR SIDE</u></a>
25310-82A	<a href="#"><u>CRANKCASE - GEAR SIDE</u></a>
25320-82	<a href="#"><u>CRANKCASE - GEAR SIDE</u></a>
25321-82	<a href="#"><u>CRANKCASE - GEAR SIDE</u></a>
25322-82	<a href="#"><u>CRANKCASE - GEAR SIDE</u></a>
25323-82	<a href="#"><u>CRANKCASE - GEAR SIDE</u></a>
25325-82	<a href="#"><u>CRANKCASE - GEAR SIDE</u></a>
25326-82	<a href="#"><u>CRANKCASE - GEAR SIDE</u></a>
25327-82	<a href="#"><u>CRANKCASE - GEAR SIDE</u></a>
25328-82	<a href="#"><u>CRANKCASE - GEAR SIDE</u></a>
25414-70B	<a href="#"><u>PRIMARY HOUSING</u></a>
25416-70A	<a href="#"><u>PRIMARY HOUSING</u></a>
25452-87A	<a href="#"><u>TRANSMISSION BEARINGS &amp; SIDE COVERS</u></a>
25453-87A	<a href="#"><u>TRANSMISSION BEARINGS &amp; SIDE COVERS</u></a>
25550-57A	<a href="#"><u>CRANKCASE - GEAR SIDE</u></a>
25581-70	<a href="#"><u>CRANKCASE - GEAR SIDE</u></a>
25582-93	<a href="#"><u>CRANKCASE - GEAR SIDE</u></a>
2579A	<a href="#"><u>FRONT BRAKE CONTROL</u></a>
26030-92A	<a href="#"><u>OIL PUMP</u></a>
26050-92	<a href="#"><u>OIL PUMP</u></a>
26053-92	<a href="#"><u>OIL PUMP</u></a>
26057-97	<a href="#"><u>TRANSMISSION HOUSING &amp; OIL TANK</u></a>
2607	<a href="#"><u>SEATS &amp; SISSY BAR</u></a>
26072-90A	<a href="#"><u>TRANSMISSION HOUSING &amp; OIL TANK</u></a>



26074-90	<a href="#"><u>TRANSMISSION HOUSING &amp; OIL TANK</u></a>
2611C	<a href="#"><u>CAM POSITION SENSOR &amp; VACUUM SWITCH</u></a>
2614	<a href="#"><u>BELTS, CHAINS, SPROCKETS &amp; REAR BELT GUARD</u></a>
26207-83	<a href="#"><u>OIL PUMP</u></a>
26225-92	<a href="#"><u>OIL PUMP</u></a>
26226-92	<a href="#"><u>OIL PUMP</u></a>
26227-58	<a href="#"><u>OIL PUMP</u></a>
26262-80	<a href="#"><u>OIL PUMP</u></a>
26263-80	<a href="#"><u>CRANKCASE - GEAR SIDE</u></a> <a href="#"><u>OIL PUMP</u></a>
26267-92	<a href="#"><u>OIL PUMP</u></a>
26270-92	<a href="#"><u>OIL PUMP</u></a>
26273-92A	<a href="#"><u>OIL PUMP</u></a>
26276-92A	<a href="#"><u>OIL PUMP</u></a>
26315-68A	<a href="#"><u>OIL PUMP</u></a>
26317-68A	<a href="#"><u>OIL PUMP</u></a>
26326-62A	<a href="#"><u>OIL PUMP</u></a>
26327-68	<a href="#"><u>OIL PUMP</u></a>
26328-74	<a href="#"><u>OIL PUMP</u></a>
26345-73	<a href="#"><u>OIL PUMP</u></a>
26346-70	<a href="#"><u>OIL PUMP</u></a>
26348-15	<a href="#"><u>OIL PUMP</u></a>
26348-36	<a href="#"><u>OIL PUMP</u></a>
26352-95A	<a href="#"><u>OIL FILTERS &amp; MOUNTS</u></a>
26354-93	<a href="#"><u>CRANKCASE - GEAR SIDE</u></a>
26378-92A	<a href="#"><u>OIL FILTERS &amp; MOUNTS</u></a>
26381-92B	<a href="#"><u>OIL FILTERS &amp; MOUNTS</u></a>
26400-82B	<a href="#"><u>OIL PUMP</u></a>
26432-76A	<a href="#"><u>CYLINDERS, VALVES &amp; HEADS - V2™ EVOLUTION</u></a>
26561-84	<a href="#"><u>CRANKCASE - GEAR SIDE</u></a>
26567-95	<a href="#"><u>CAM POSITION SENSOR &amp; VACUUM SWITCH</u></a>

26569-96	<a href="#"><u>CAM POSITION SENSOR &amp; VACUUM SWITCH</u></a>
26856-89A	<a href="#"><u>ROCKER ARMS, COVERS &amp; PUSHRODS - V2™ EVOLUTION</u></a>
2698A	<a href="#"><u>FRONT TURN SIGNALS</u></a>
26995-86B	<a href="#"><u>CARBURETOR (1 OF 2)</u></a>
27002-89	<a href="#"><u>CARBURETOR (1 OF 2)</u></a>
27009-86A	<a href="#"><u>CARBURETOR (1 OF 2)</u></a>
27010-86A	<a href="#"><u>CARBURETOR (1 OF 2)</u></a>
27019-89A	<a href="#"><u>CARBURETOR (1 OF 2)</u></a>
27042-84A	<a href="#"><u>CALIFORNIA EVAPORATIVE EMISSIONS KIT</u></a>
27047-84B	<a href="#"><u>CALIFORNIA EVAPORATIVE EMISSIONS KIT</u></a>
27088-95	<a href="#"><u>CARBURETOR (2 OF 2)</u></a>
2708A	<a href="#"><u>HEADLAMP</u></a>
27090-89	<a href="#"><u>CARBURETOR (1 OF 2)</u></a>
27100-88	<a href="#"><u>CARBURETOR (1 OF 2)</u></a>
27101-88	<a href="#"><u>CARBURETOR (1 OF 2)</u></a>
2711	<a href="#"><u>AIR CLEANER &amp; ENRICHENER SEATS &amp; SISSY BAR</u></a>
27114-88	<a href="#"><u>CARBURETOR (2 OF 2)</u></a>
27115-88	<a href="#"><u>CARBURETOR (1 OF 2)</u></a>
27122-89	<a href="#"><u>CARBURETOR (1 OF 2)</u></a>
27123-89A	<a href="#"><u>CARBURETOR (1 OF 2)</u></a>
27124-89	<a href="#"><u>CARBURETOR (1 OF 2)</u></a>
27125-89	<a href="#"><u>CARBURETOR (1 OF 2)</u></a>
27126-89	<a href="#"><u>CARBURETOR (1 OF 2)</u></a>
27127-89	<a href="#"><u>CARBURETOR (1 OF 2)</u></a>
27128-89	<a href="#"><u>CARBURETOR (1 OF 2)</u></a>
27130-90	<a href="#"><u>CARBURETOR (1 OF 2)</u></a>
27136-90A	<a href="#"><u>CARBURETOR (1 OF 2)</u></a>
27137-81	<a href="#"><u>CARBURETOR (1 OF 2)</u></a>
27138-90	<a href="#"><u>FUEL TANKS</u></a>
27146-89	<a href="#"><u>CARBURETOR (1 OF 2)</u></a>

27147-89	<a href="#">CARBURETOR (1 OF 2)</a>
27148-89	<a href="#">CARBURETOR (1 OF 2)</a>
27156-89	<a href="#">CARBURETOR (1 OF 2)</a>
27157-89	<a href="#">CARBURETOR (1 OF 2)</a>
27158-89	<a href="#">CARBURETOR (1 OF 2)</a>
27159-92	<a href="#">CARBURETOR (1 OF 2)</a>
27160-89	<a href="#">CARBURETOR (1 OF 2)</a>
27162-89	<a href="#">CARBURETOR (1 OF 2)</a>
27171-89	<a href="#">CARBURETOR (1 OF 2)</a>
27189-96A	<a href="#">CALIFORNIA EVAPORATIVE EMISSIONS KIT</a>
27190-96	<a href="#">CALIFORNIA EVAPORATIVE EMISSIONS KIT</a>
2720	<a href="#">ALTERNATOR &amp; REGULATOR</a>
27239-95	<a href="#">CARBURETOR (2 OF 2)</a>
27250-96B	<a href="#">FUEL TANKS</a>
27253-96	<a href="#">CARBURETOR (1 OF 2)</a>
27254-96	<a href="#">CARBURETOR (1 OF 2)</a>
27261-96	<a href="#">CARBURETOR (1 OF 2)</a>
27262-96	<a href="#">CARBURETOR (1 OF 2)</a>
27263-96	<a href="#">CARBURETOR (1 OF 2)</a>
27296-96	<a href="#">FUEL TANKS</a>
27311-76	<a href="#">CARBURETOR (2 OF 2)</a>
27315-88A	<a href="#">CARBURETOR (2 OF 2)</a>
27317-88	<a href="#">CARBURETOR (2 OF 2)</a>
27339-90	<a href="#">CARBURETOR (2 OF 2)</a>
27360-76	<a href="#">CARBURETOR (2 OF 2)</a>
27361-76A	<a href="#">CARBURETOR (2 OF 2)</a>
27362-76	<a href="#">CARBURETOR (2 OF 2)</a>
27368-76	<a href="#">CARBURETOR (2 OF 2)</a>
27369-76	<a href="#">CARBURETOR (2 OF 2)</a>
2737	<a href="#">AIR CLEANER &amp; ENRICHENER</a>
27371-76A	<a href="#">CARBURETOR (2 OF 2)</a>

27492-96B	<a href="#"><u>CARBURETOR (1 OF 2)</u></a>
275	<a href="#"><u>CRANKCASE - GEAR SIDE</u></a>
27504-96	<a href="#"><u>CARBURETOR (1 OF 2)</u></a>
27575-88A	<a href="#"><u>CARBURETOR (2 OF 2)</u></a>
27576-92	<a href="#"><u>CARBURETOR (2 OF 2)</u></a>
27577-92	<a href="#"><u>CARBURETOR (2 OF 2)</u></a>
27579-88A	<a href="#"><u>CARBURETOR (2 OF 2)</u></a>
27580-88	<a href="#"><u>CARBURETOR (2 OF 2)</u></a>
27581-88	<a href="#"><u>CARBURETOR (2 OF 2)</u></a>
27582-88	<a href="#"><u>CARBURETOR (2 OF 2)</u></a>
27583-88	<a href="#"><u>CARBURETOR (2 OF 2)</u></a>
27585-88	<a href="#"><u>CARBURETOR (2 OF 2)</u></a>
27586-88	<a href="#"><u>CARBURETOR (2 OF 2)</u></a>
27587-88	<a href="#"><u>CARBURETOR (2 OF 2)</u></a>
2773	<a href="#"><u>LICENSE PLATE BRACKETS</u></a>
27886-78A	<a href="#"><u>CARBURETOR (2 OF 2)</u></a>
2823	<a href="#"><u>FRONT FORK - FXDWG</u></a>
2871W	<a href="#"><u>BELTS, CHAINS, SPROCKETS &amp; REAR BELT GUARD</u></a>
28823-89	<a href="#"><u>AIR CLEANER &amp; ENRICHENER</u></a>
28827-96A	<a href="#"><u>AIR CLEANER &amp; ENRICHENER</u></a>
28842-89	<a href="#"><u>AIR CLEANER &amp; ENRICHENER</u></a>
28886-96	<a href="#"><u>CALIFORNIA EVAPORATIVE EMISSIONS KIT</u></a>
29059-88A	<a href="#"><u>AIR CLEANER &amp; ENRICHENER</u></a>
29062-95B	<a href="#"><u>AIR CLEANER &amp; ENRICHENER</u></a>
29087-96	<a href="#"><u>AIR CLEANER &amp; ENRICHENER</u></a>
29126-90B	<a href="#"><u>AIR CLEANER &amp; ENRICHENER</u></a>
29134-92	<a href="#"><u>AIR CLEANER &amp; ENRICHENER</u></a>
29142-91	<a href="#"><u>AIR CLEANER &amp; ENRICHENER</u></a>
29150-93	<a href="#"><u>AIR CLEANER &amp; ENRICHENER</u></a>
29165-89	<a href="#"><u>AIR CLEANER &amp; ENRICHENER</u></a>
29192-95	<a href="#"><u>AIR CLEANER &amp; ENRICHENER</u></a>

29229-88D	<a href="#"><u>AIR CLEANER &amp; ENRICHENER</u></a>
29252-89	<a href="#"><u>AIR CLEANER &amp; ENRICHENER</u></a>
29283-93	<a href="#"><u>AIR CLEANER &amp; ENRICHENER</u></a>
29307-94	<a href="#"><u>AIR CLEANER &amp; ENRICHENER</u></a>
29312-95	<a href="#"><u>CALIFORNIA EVAPORATIVE EMISSIONS KIT</u></a>
29313-95	<a href="#"><u>AIR CLEANER &amp; ENRICHENER</u></a>
29319-95A	<a href="#"><u>AIR CLEANER &amp; ENRICHENER</u></a>
29323-95	<a href="#"><u>AIR CLEANER &amp; ENRICHENER</u></a>
29325-95A	<a href="#"><u>AIR CLEANER &amp; ENRICHENER</u></a>
2932A	<a href="#"><u>PRIMARY HOUSING</u></a>
29330-96	<a href="#"><u>AIR CLEANER &amp; ENRICHENER</u></a>
2952A	<a href="#"><u>SEATS &amp; SISSY BAR</u></a>
2955	<a href="#"><u>HANDLEBAR SWITCHES</u></a>
2980	<a href="#"><u>CLUTCH</u></a>
29954-71A	<a href="#"><u>ALTERNATOR &amp; REGULATOR</u></a>
29957-81B	<a href="#"><u>ALTERNATOR &amp; REGULATOR</u></a>
29960-91A	<a href="#"><u>BELTS, CHAINS, SPROCKETS &amp; REAR BELT GUARD</u></a>
29961-85	<a href="#"><u>ALTERNATOR &amp; REGULATOR</u></a>
29970-88D	<a href="#"><u>ALTERNATOR &amp; REGULATOR</u></a>
3058	<a href="#"><u>FUEL TANK INSTRUMENTS - FXD &amp; FXDS-CON</u></a>
31342-94	<a href="#"><u>STARTER MOTOR</u></a>
31430-94	<a href="#"><u>STARTER MOTOR</u></a>
31433-84A	<a href="#"><u>PRIMARY HOUSING</u></a>
31504-91B	<a href="#"><u>WIRING HARNESS, MAIN SWITCHES &amp; CIRCUIT BREAKERS</u></a>
31510-90	<a href="#"><u>STARTER MOTOR</u></a>
31514-90	<a href="#"><u>STARTER MOTOR</u></a>
31515-90	<a href="#"><u>STARTER MOTOR</u></a>
31516-94A	<a href="#"><u>STARTER MOTOR</u></a>
31518-90	<a href="#"><u>STARTER MOTOR</u></a>
31519-90	<a href="#"><u>STARTER MOTOR</u></a>

31525-90	<a href="#"><u>STARTER MOTOR</u></a>
31527-90	<a href="#"><u>STARTER MOTOR</u></a>
31530-90	<a href="#"><u>STARTER MOTOR</u></a>
31535-91	<a href="#"><u>STARTER MOTOR</u></a>
31538-98	<a href="#"><u>STARTER MOTOR</u></a>
31548-90	<a href="#"><u>STARTER MOTOR</u></a>
31553-94B	<a href="#"><u>STARTER MOTOR</u></a>
31589-80	<a href="#"><u>LICENSE PLATE BRACKETS</u></a>
31600-90	<a href="#"><u>STARTER MOTOR</u></a>
31604-91A	<a href="#"><u>STARTER MOTOR</u></a>
31612-09	<a href="#"><u>STARTER MOTOR</u></a>
31614-83A	<a href="#"><u>IGNITION MODULE &amp; COIL</u></a>
31640-91	<a href="#"><u>IGNITION MODULE &amp; COIL</u></a>
31660-90	<a href="#"><u>STARTER MOTOR</u></a>
31662-90	<a href="#"><u>STARTER MOTOR</u></a>
31663-90	<a href="#"><u>STARTER MOTOR</u></a>
31664-94	<a href="#"><u>STARTER MOTOR</u></a>
31688-90	<a href="#"><u>STARTER MOTOR</u></a>
31689-90	<a href="#"><u>STARTER MOTOR</u></a>
31692-90	<a href="#"><u>STARTER MOTOR</u></a>
31693-90	<a href="#"><u>STARTER MOTOR</u></a>
31695-90	<a href="#"><u>STARTER MOTOR</u></a>
31981-94A	<a href="#"><u>IGNITION MODULE &amp; COIL</u></a>
31983-71C	<a href="#"><u>IGNITION MODULE &amp; COIL</u></a>
3210A	<a href="#"><u>OIL FILTERS &amp; MOUNTS</u></a> <a href="#"><u>TRANSMISSION BEARINGS &amp; SIDE COVERS</u></a> <a href="#"><u>FRONT &amp; REAR FENDER &amp; REAR FENDER COVERS</u></a>
3214	<a href="#"><u>FRAME &amp; JIFFY STAND</u></a> <a href="#"><u>FOOTRESTS</u></a> <a href="#"><u>FOOTRESTS</u></a>
3221	<a href="#"><u>AIR CLEANER &amp; ENRICHENER</u></a>
32311-83	<a href="#"><u>IGNITION MODULE &amp; COIL</u></a>
3233	<a href="#"><u>FRAME &amp; JIFFY STAND</u></a>

32402-83	<a href="#"><u>CAM POSITION SENSOR &amp; VACUUM SWITCH</u></a>
32404-96A	<a href="#"><u>CAM POSITION SENSOR &amp; VACUUM SWITCH</u></a>
32449-95C	<a href="#"><u>IGNITION MODULE &amp; COIL</u></a>
32504-80A	<a href="#"><u>CAM POSITION SENSOR &amp; VACUUM SWITCH</u></a>
32524-83	<a href="#"><u>CAM POSITION SENSOR &amp; VACUUM SWITCH</u></a>
3256	<a href="#"><u>INSTRUMENTS - FXDWG</u></a>
32606-82	<a href="#"><u>CAM POSITION SENSOR &amp; VACUUM SWITCH</u></a>
3275	<a href="#"><u>CARBURETOR (1 OF 2)</u></a>
33038-98	<a href="#"><u>TRANSMISSION BEARINGS &amp; SIDE COVERS</u></a> <a href="#"><u>TRANSMISSION HOUSING &amp; OIL TANK</u></a>
33048-72	<a href="#"><u>FOOTRESTS</u></a> <a href="#"><u>FOOTRESTS</u></a>
33062-98	<a href="#"><u>TRANSMISSION BEARINGS &amp; SIDE COVERS</u></a> <a href="#"><u>TRANSMISSION HOUSING &amp; OIL TANK</u></a>
33114-79	<a href="#"><u>TRANSMISSION BEARINGS &amp; SIDE COVERS</u></a>
33119-79B	<a href="#"><u>GEAR SHIFTER (1 OF 2)</u></a>
33126-94	<a href="#"><u>STARTER MOTOR</u></a>
33127-94	<a href="#"><u>STARTER MOTOR</u></a>
33189-63	<a href="#"><u>FOOTRESTS</u></a> <a href="#"><u>FOOTRESTS</u></a>
33205-80	<a href="#"><u>GEAR SHIFTER (1 OF 2)</u></a>
33206-80	<a href="#"><u>GEAR SHIFTER (1 OF 2)</u></a>
33207-80	<a href="#"><u>GEAR SHIFTER (1 OF 2)</u></a>
33208-80	<a href="#"><u>GEAR SHIFTER (1 OF 2)</u></a>
33209-80	<a href="#"><u>GEAR SHIFTER (1 OF 2)</u></a>
33210-80	<a href="#"><u>GEAR SHIFTER (1 OF 2)</u></a>
33211-80	<a href="#"><u>GEAR SHIFTER (1 OF 2)</u></a>
33212-80	<a href="#"><u>GEAR SHIFTER (1 OF 2)</u></a>
33318-85	<a href="#"><u>PRIMARY HOUSING</u></a>
33320-98	<a href="#"><u>GEAR SHIFTER (1 OF 2)</u></a>
33326-79A	<a href="#"><u>GEAR SHIFTER (1 OF 2)</u></a>
33332-79	<a href="#"><u>GEAR SHIFTER (1 OF 2)</u></a>
33344-94	<a href="#"><u>TRANSMISSION BEARINGS &amp; SIDE COVERS</u></a>

33445-94A	<a href="#"><u>PRIMARY HOUSING</u></a>
33446-94A	<a href="#"><u>PRIMARY HOUSING</u></a>
33449-94	<a href="#"><u>STARTER MOTOR</u></a>
33518-92	<a href="#"><u>OIL FILTERS &amp; MOUNTS</u></a>
33520-92	<a href="#"><u>OIL FILTERS &amp; MOUNTS</u></a>
33660-90B	<a href="#"><u>GEAR SHIFTER (2 OF 2)</u></a>
33693-93	<a href="#"><u>FOOTRESTS</u></a>
337	<a href="#"><u>TRANSMISSION BEARINGS &amp; SIDE COVERS</u></a>
33708-94	<a href="#"><u>GEAR SHIFTER (2 OF 2)</u></a> <a href="#"><u>REAR BRAKE CONTROL</u></a> <a href="#"><u>FOOTRESTS</u></a>
33715-85A	<a href="#"><u>GEAR SHIFTER (2 OF 2)</u></a>
33728-90B	<a href="#"><u>GEAR SHIFTER (2 OF 2)</u></a>
33902-98A	<a href="#"><u>TRANSMISSION HOUSING &amp; OIL TANK</u></a>
3398	<a href="#"><u>CRANKCASE</u></a>
3403	<a href="#"><u>STARTER MOTOR</u></a>
34082-79	<a href="#"><u>GEAR SHIFTER (2 OF 2)</u></a>
34083-79	<a href="#"><u>GEAR SHIFTER (2 OF 2)</u></a>
34084-86A	<a href="#"><u>GEAR SHIFTER (2 OF 2)</u></a>
34085-79A	<a href="#"><u>GEAR SHIFTER (2 OF 2)</u></a>
34086-79	<a href="#"><u>GEAR SHIFTER (2 OF 2)</u></a>
34087-79A	<a href="#"><u>GEAR SHIFTER (2 OF 2)</u></a>
34088-87A	<a href="#"><u>GEAR SHIFTER (2 OF 2)</u></a>
34089-79	<a href="#"><u>GEAR SHIFTER (2 OF 2)</u></a>
34091-85A	<a href="#"><u>TRANSMISSION GEARS</u></a>
34191-79E	<a href="#"><u>GEAR SHIFTER (2 OF 2)</u></a>
34193-79E	<a href="#"><u>GEAR SHIFTER (2 OF 2)</u></a>
34195-79E	<a href="#"><u>GEAR SHIFTER (2 OF 2)</u></a>
3427	<a href="#"><u>FUEL TANKS</u></a>
3445	<a href="#"><u>FRONT &amp; REAR FENDER &amp; REAR FENDER COVERS</u></a>
34469-98	<a href="#"><u>TRANSMISSION HOUSING &amp; OIL TANK</u></a>
34478-98	<a href="#"><u>TRANSMISSION HOUSING &amp; OIL TANK</u></a>



34561-84	<a href="#"><u>GEAR SHIFTER (2 OF 2)</u></a>
34564-90B	<a href="#"><u>GEAR SHIFTER (2 OF 2)</u></a>
34611-65A	<a href="#"><u>GEAR SHIFTER (2 OF 2)</u></a>
34621-90	<a href="#"><u>GEAR SHIFTER (2 OF 2)</u></a>
34625-90	<a href="#"><u>GEAR SHIFTER (2 OF 2)</u></a>
34632-84B	<a href="#"><u>GEAR SHIFTER (2 OF 2)</u></a>
3471	<a href="#"><u>HANDLEBAR</u></a>
3473	<a href="#"><u>IGNITION MODULE &amp; COIL</u></a>
34746-95A	<a href="#"><u>TRANSMISSION HOUSING &amp; OIL TANK</u></a>
34747-95	<a href="#"><u>TRANSMISSION HOUSING &amp; OIL TANK</u></a>
3480A	<a href="#"><u>CRANKCASE - GEAR SIDE</u></a>
3485A	<a href="#"><u>FRONT &amp; REAR FENDER &amp; REAR FENDER COVERS</u></a>
3487	<a href="#"><u>FRAME &amp; JIFFY STAND</u></a>
34917-90B	<a href="#"><u>TRANSMISSION HOUSING &amp; OIL TANK</u></a>
34920-86A	<a href="#"><u>TRANSMISSION BEARINGS &amp; SIDE COVERS</u></a>
3500A	<a href="#"><u>ROCKER ARMS, COVERS &amp; PUSHRODS - V2™ EVOLUTION</u></a>
3501A	<a href="#"><u>ROCKER ARMS, COVERS &amp; PUSHRODS - V2™ EVOLUTION</u></a>
35021-89	<a href="#"><u>TRANSMISSION BEARINGS &amp; SIDE COVERS</u></a>
35025-79B	<a href="#"><u>TRANSMISSION GEARS</u></a>
35026-94	<a href="#"><u>TRANSMISSION GEARS</u></a>
35027-94	<a href="#"><u>TRANSMISSION GEARS</u></a>
35028-94	<a href="#"><u>TRANSMISSION GEARS</u></a>
35029-94	<a href="#"><u>TRANSMISSION GEARS</u></a>
35042-91	<a href="#"><u>TRANSMISSION GEARS</u></a>
3504A	<a href="#"><u>CRANKCASE</u></a>
35051-89A	<a href="#"><u>TRANSMISSION GEARS</u></a>
3506	<a href="#"><u>CRANKCASE</u></a>
35064-79	<a href="#"><u>TRANSMISSION GEARS</u></a>
35068-79	<a href="#"><u>GEAR SHIFTER (2 OF 2)</u></a>
35076-79	<a href="#"><u>TRANSMISSION BEARINGS &amp; SIDE COVERS</u></a>
35078-79	<a href="#"><u>TRANSMISSION BEARINGS &amp; SIDE COVERS</u></a>

3509	<a href="#"><u>FRAME &amp; JIFFY STAND</u></a>
3514	<a href="#"><u>HEADLAMP</u></a>
35211-91B	<a href="#"><u>BELTS, CHAINS, SPROCKETS &amp; REAR BELT GUARD</u></a>
35250-90D	<a href="#"><u>TRANSMISSION BEARINGS &amp; SIDE COVERS</u></a>
35260-90C	<a href="#"><u>TRANSMISSION BEARINGS &amp; SIDE COVERS</u></a>
3528	<a href="#"><u>CRANKCASE</u></a>
3530	<a href="#"><u>FUEL TANKS</u></a> <a href="#"><u>FUEL TANKS</u></a>
3537	<a href="#"><u>REAR BRAKE CONTROL</u></a>
3554	<a href="#"><u>CRANKCASE</u></a>
3559	<a href="#"><u>STARTER MOTOR</u></a>
3562	<a href="#"><u>FRONT BRAKE CALIPER</u></a> <a href="#"><u>FRONT BRAKE CALIPER</u></a>
35622-79C	<a href="#"><u>TRANSMISSION GEARS</u></a>
35625-94	<a href="#"><u>TRANSMISSION GEARS</u></a>
35626-94	<a href="#"><u>TRANSMISSION GEARS</u></a>
35629-79	<a href="#"><u>TRANSMISSION GEARS</u></a>
35632-79	<a href="#"><u>TRANSMISSION GEARS</u></a>
35652-79B	<a href="#"><u>TRANSMISSION BEARINGS &amp; SIDE COVERS</u></a>
3574	<a href="#"><u>SEATS &amp; SISSY BAR</u></a>
3577	<a href="#"><u>AIR CLEANER &amp; ENRICHENER</u></a>
3579A	<a href="#"><u>BELTS, CHAINS, SPROCKETS &amp; REAR BELT GUARD</u></a>
358	<a href="#"><u>CRANKCASE</u></a>
35853-96	<a href="#"><u>BELTS, CHAINS, SPROCKETS &amp; REAR BELT GUARD</u></a>
3588	<a href="#"><u>HORN</u></a>
3594	<a href="#"><u>TRANSMISSION HOUSING &amp; OIL TANK</u></a> <a href="#"><u>BELTS, CHAINS, SPROCKETS &amp; REAR BELT GUARD</u></a> <a href="#"><u>FRONT BRAKE CONTROL</u></a> <a href="#"><u>SWITCHES &amp; CIRCUIT BREAKERS</u></a>
3601	<a href="#"><u>IGNITION MODULE &amp; COIL</u></a>
3613	<a href="#"><u>CRANKCASE</u></a>
3655A	<a href="#"><u>FRONT WHEEL</u></a> <a href="#"><u>FRONT WHEEL</u></a> <a href="#"><u>FRAME &amp; JIFFY STAND</u></a>

3658	<a href="#">HANDLEBAR SWITCHES</a>
366	<a href="#">CRANKCASE - GEAR SIDE</a>
36801-87C	<a href="#">TRANSMISSION BEARINGS &amp; SIDE COVERS</a>
3689	<a href="#">LICENSE PLATE BRACKETS</a> <a href="#">LICENSE PLATE BRACKETS</a>
37069-90A	<a href="#">CLUTCH</a>
37075-87	<a href="#">TRANSMISSION BEARINGS &amp; SIDE COVERS</a>
37081-99	<a href="#">TRANSMISSION BEARINGS &amp; SIDE COVERS</a>
37088-90	<a href="#">CLUTCH</a>
37090-98A	<a href="#">CLUTCH</a>
37105-87A	<a href="#">TRANSMISSION BEARINGS &amp; SIDE COVERS</a>
3730A	<a href="#">REAR WHEEL</a>
37312-75	<a href="#">CLUTCH</a>
37313-80	<a href="#">CLUTCH</a>
37496-90A	<a href="#">CLUTCH</a>
375	<a href="#">TRANSMISSION BEARINGS &amp; SIDE COVERS</a> <a href="#">PRIMARY HOUSING</a>
37503-41	<a href="#">REAR BRAKE CONTROL</a>
37550-98	<a href="#">CLUTCH</a>
3770	<a href="#">ROCKER ARMS, COVERS &amp; PUSHRODS - V2™ EVOLUTION</a>
37707-98A	<a href="#">CLUTCH</a>
3784	<a href="#">GEAR SHIFTER (1 OF 2)</a>
37871-98A	<a href="#">CLUTCH</a>
37872-00	<a href="#">CLUTCH</a>
37883-98	<a href="#">CLUTCH</a>
37884-98	<a href="#">CLUTCH</a>
37903-90	<a href="#">CLUTCH</a>
37904-90	<a href="#">CLUTCH</a>
37905-90	<a href="#">CLUTCH</a>
37906-90	<a href="#">CLUTCH</a>
37909-90	<a href="#">CLUTCH</a>
37912-00	<a href="#">CLUTCH</a>

37913-98	<a href="#"><u>CLUTCH</u></a>
37932-98	<a href="#"><u>CLUTCH</u></a>
3795	<a href="#"><u>FRONT WHEEL</u></a>
3849	<a href="#"><u>ROCKER ARMS, COVERS &amp; PUSHRODS - V2™ EVOLUTION</u></a>
38602-92	<a href="#"><u>CLUTCH CONTROL</u></a>
38608-96	<a href="#"><u>CLUTCH CONTROL</u></a>
38630-88	<a href="#"><u>CLUTCH CONTROL</u></a>
38653-01	<a href="#"><u>THROTTLE CONTROL</u></a>
38717-91	<a href="#"><u>INSTRUMENTS - FXDWG</u></a>
3891	<a href="#"><u>SHOCK ABSORBERS - HYDRAULIC</u></a>
3892	<a href="#"><u>SWITCHES &amp; CIRCUIT BREAKERS</u></a>
3893	<a href="#"><u>CALIFORNIA EVAPORATIVE EMISSIONS KIT</u></a>
3958	<a href="#"><u>SHOCK ABSORBERS - HYDRAULIC</u></a>
3987	<a href="#"><u>GEAR SHIFTER (1 OF 2)</u></a>
3991	<a href="#"><u>BELTS, CHAINS, SPROCKETS &amp; REAR BELT GUARD</u></a>
3993	<a href="#"><u>GEAR SHIFTER (1 OF 2)</u></a>
39976-65B	<a href="#"><u>BELTS, CHAINS, SPROCKETS &amp; REAR BELT GUARD</u></a>
39990-65	<a href="#"><u>BELTS, CHAINS, SPROCKETS &amp; REAR BELT GUARD</u></a>
39992-65C	<a href="#"><u>BELTS, CHAINS, SPROCKETS &amp; REAR BELT GUARD</u></a>
39993-65	<a href="#"><u>BELTS, CHAINS, SPROCKETS &amp; REAR BELT GUARD</u></a>
39996-65	<a href="#"><u>BELTS, CHAINS, SPROCKETS &amp; REAR BELT GUARD</u></a>
39998-65A	<a href="#"><u>BELTS, CHAINS, SPROCKETS &amp; REAR BELT GUARD</u></a>
40007-36B	<a href="#"><u>BELTS, CHAINS, SPROCKETS &amp; REAR BELT GUARD</u></a>
40015-90	<a href="#"><u>BELTS, CHAINS, SPROCKETS &amp; REAR BELT GUARD</u></a>
4017	<a href="#"><u>GEAR SHIFTER (1 OF 2)</u></a> <a href="#"><u>GEAR SHIFTER (1 OF 2)</u></a> <a href="#"><u>EXHAUST SYSTEM</u></a>
40217-79A	<a href="#"><u>BELTS, CHAINS, SPROCKETS &amp; REAR BELT GUARD</u></a> <a href="#"><u>REAR WHEEL</u></a>
40221-85A	<a href="#"><u>BELTS, CHAINS, SPROCKETS &amp; REAR BELT GUARD</u></a> <a href="#"><u>REAR WHEEL</u></a>
40250-94C	<a href="#"><u>BELTS, CHAINS, SPROCKETS &amp; REAR BELT GUARD</u></a>
40251-92A	<a href="#"><u>BELTS, CHAINS, SPROCKETS &amp; REAR BELT GUARD</u></a>

40266-85	<a href="#"><u>BELTS, CHAINS, SPROCKETS &amp; REAR BELT GUARD</u></a>
40299-83A	<a href="#"><u>BELTS, CHAINS, SPROCKETS &amp; REAR BELT GUARD</u></a>
4029A	<a href="#"><u>FRONT FORK - FXD, FXDL &amp; FXDS-CON (1 OF 2)</u></a>
40308-94	<a href="#"><u>BELTS, CHAINS, SPROCKETS &amp; REAR BELT GUARD</u></a>
40384-91	<a href="#"><u>BELTS, CHAINS, SPROCKETS &amp; REAR BELT GUARD</u></a>
40392-91	<a href="#"><u>BELTS, CHAINS, SPROCKETS &amp; REAR BELT GUARD</u></a>
4047	<a href="#"><u>FRONT FORK - FXD, FXDL &amp; FXDS-CON (1 OF 2)</u></a> <a href="#"><u>FRONT TURN SIGNALS</u></a>
4059	<a href="#"><u>REAR BRAKE CONTROL</u></a> <a href="#"><u>FOOTRESTS</u></a>
40761-05	<a href="#"><u>FRONT WHEEL</u></a>
4083W	<a href="#"><u>TAIL LAMP &amp; REAR TURN SIGNALS</u></a>
4086A	<a href="#"><u>PRIMARY HOUSING</u></a>
40903-87	<a href="#"><u>REAR BRAKE CONTROL</u></a>
4091	<a href="#"><u>FRONT BRAKE CONTROL</u></a>
40910-84B	<a href="#"><u>FRONT WHEEL</u></a>
40918-87	<a href="#"><u>REAR BRAKE CONTROL</u></a>
40920-87	<a href="#"><u>REAR BRAKE CONTROL</u></a>
40922-87A	<a href="#"><u>REAR BRAKE CONTROL</u></a>
40956-90B	<a href="#"><u>REAR BRAKE CONTROL</u></a>
40975-86C	<a href="#"><u>REAR WHEEL</u></a>
40976-86A	<a href="#"><u>REAR WHEEL</u></a>
4098	<a href="#"><u>FRONT &amp; REAR FENDER &amp; REAR FENDER COVERS</u></a> <a href="#"><u>LICENSE PLATE BRACKETS</u></a>
40992-96	<a href="#"><u>REAR WHEEL</u></a>
41012-96	<a href="#"><u>REAR WHEEL</u></a>
41113-90	<a href="#"><u>REAR FORK</u></a>
41114-90	<a href="#"><u>REAR WHEEL</u></a>
41123-79	<a href="#"><u>FRONT WHEEL</u></a> <a href="#"><u>REAR WHEEL</u></a>
4132	<a href="#"><u>CLUTCH CONTROL</u></a> <a href="#"><u>FRONT BRAKE CONTROL</u></a>
4134	<a href="#"><u>ALTERNATOR &amp; REGULATOR</u></a>

41571-92	<a href="#"><u>REAR FORK</u></a>
41585-90B	<a href="#"><u>REAR FORK</u></a>
41591-90	<a href="#"><u>REAR WHEEL</u></a>
41731-88A	<a href="#"><u>FRONT BRAKE CONTROL</u></a> <a href="#"><u>FRONT BRAKE CONTROL</u></a> <a href="#"><u>REAR BRAKE CONTROL</u></a>
41733-88	<a href="#"><u>FRONT BRAKE CONTROL</u></a>
41739-84A	<a href="#"><u>FRONT BRAKE CONTROL</u></a>
41747-82A	<a href="#"><u>FRONT BRAKE CONTROL</u></a> <a href="#"><u>FRONT BRAKE CONTROL</u></a> <a href="#"><u>REAR BRAKE CONTROL</u></a>
41789-92	<a href="#"><u>REAR WHEEL</u></a>
41803-90	<a href="#"><u>REAR BRAKE CONTROL</u></a>
41955-93	<a href="#"><u>REAR BRAKE CONTROL</u></a>
42375-87	<a href="#"><u>REAR BRAKE CONTROL</u></a>
42382-87C	<a href="#"><u>REAR BRAKE CONTROL</u></a>
4240	<a href="#"><u>FRONT BRAKE CONTROL</u></a> <a href="#"><u>HANDLEBAR</u></a>
42448-87	<a href="#"><u>REAR BRAKE CONTROL</u></a>
42460-80B	<a href="#"><u>REAR BRAKE CONTROL</u></a>
42474-90B	<a href="#"><u>REAR BRAKE CONTROL</u></a>
42481-92	<a href="#"><u>REAR BRAKE CONTROL</u></a> <a href="#"><u>FOOTRESTS</u></a>
42502-90A	<a href="#"><u>REAR BRAKE CONTROL</u></a>
42502-90B	<a href="#"><u>REAR BRAKE CONTROL</u></a>
42524-82A	<a href="#"><u>REAR BRAKE CONTROL</u></a>
42531-87	<a href="#"><u>REAR BRAKE CONTROL</u></a>
42532-82	<a href="#"><u>REAR BRAKE CONTROL</u></a>
42533-91A	<a href="#"><u>TRANSMISSION HOUSING &amp; OIL TANK</u></a>
42542-93	<a href="#"><u>REAR BRAKE CONTROL</u></a>
43001-06	<a href="#"><u>FRONT WHEEL</u></a>
43025-73B	<a href="#"><u>FRONT WHEEL</u></a>
43085-97	<a href="#"><u>REAR WHEEL</u></a>
43157-83A	<a href="#"><u>FRONT WHEEL</u></a>

	<a href="#"><u>REAR WHEEL</u></a>
43239-05	<a href="#"><u>FRONT WHEEL</u></a>
43241-05	<a href="#"><u>REAR WHEEL</u></a>
4326A	<a href="#"><u>STARTER MOTOR</u></a> <a href="#"><u>HANDLEBAR</u></a> <a href="#"><u>INSTRUMENTS - FXD &amp; FXDS-CON</u></a>
4329	<a href="#"><u>ALTERNATOR &amp; REGULATOR</u></a>
43290-82	<a href="#"><u>FRONT WHEEL</u></a> <a href="#"><u>REAR WHEEL</u></a>
43291-82	<a href="#"><u>FRONT WHEEL</u></a> <a href="#"><u>REAR WHEEL</u></a>
43292-82	<a href="#"><u>FRONT WHEEL</u></a> <a href="#"><u>REAR WHEEL</u></a>
43293-82	<a href="#"><u>FRONT WHEEL</u></a> <a href="#"><u>REAR WHEEL</u></a>
43294-82	<a href="#"><u>FRONT WHEEL</u></a> <a href="#"><u>REAR WHEEL</u></a>
43312-84B	<a href="#"><u>FRONT WHEEL</u></a>
43346-83B	<a href="#"><u>FRONT WHEEL</u></a>
43358-83A	<a href="#"><u>FRONT WHEEL</u></a>
43359-84	<a href="#"><u>FRONT WHEEL</u></a>
4342	<a href="#"><u>BATTERY TRAY &amp; BATTERY</u></a>
43499-96	<a href="#"><u>FRONT WHEEL</u></a>
4351	<a href="#"><u>FRONT FORK - FXD, FXDL &amp; FXDS-CON (1 OF 2)</u></a> <a href="#"><u>FRONT FORK - FXD, FXDL &amp; FXDS-CON (1 OF 2)</u></a>
4352	<a href="#"><u>FRONT FORK - FXD, FXDL &amp; FXDS-CON (1 OF 2)</u></a>
43567-92	<a href="#"><u>REAR WHEEL</u></a>
4358A	<a href="#"><u>STARTER MOTOR</u></a>
43591-96B	<a href="#"><u>FRONT WHEEL</u></a> <a href="#"><u>FRONT WHEEL</u></a>
43594-96	<a href="#"><u>FRONT WHEEL</u></a>
43608-82	<a href="#"><u>FRONT WHEEL</u></a> <a href="#"><u>REAR WHEEL</u></a>
43613-92	<a href="#"><u>FRONT WHEEL</u></a>
43617-95	<a href="#"><u>FRONT WHEEL</u></a>
43619-84	<a href="#"><u>FRONT WHEEL</u></a>

4363	<a href="#">WINDSHIELD - FXDS-CON</a> <a href="#">FUEL TANK INSTRUMENTS - FXD &amp; FXDS-CON</a>
4364	<a href="#">WINDSHIELD - FXDS-CON</a>
43650-82	<a href="#">FRONT WHEEL</a> <a href="#">REAR WHEEL</a>
43654-86A	<a href="#">REAR WHEEL</a>
43662-80B	<a href="#">FRONT WHEEL</a>
43668-82	<a href="#">FRONT WHEEL</a>
43671-84C	<a href="#">FRONT WHEEL</a>
43672-84A	<a href="#">FRONT WHEEL</a>
43683-97	<a href="#">FRONT WHEEL</a> <a href="#">FRONT WHEEL</a>
4383	<a href="#">BATTERY TRAY &amp; BATTERY</a>
43895-87B	<a href="#">FRONT WHEEL</a>
43946-86	<a href="#">REAR BRAKE CALIPER</a>
43960-86	<a href="#">REAR BRAKE CALIPER</a>
44020-83	<a href="#">FRONT BRAKE CALIPER</a> <a href="#">FRONT BRAKE CALIPER</a>
44021-83	<a href="#">FRONT BRAKE CALIPER</a> <a href="#">FRONT BRAKE CALIPER</a>
44022-83	<a href="#">FRONT BRAKE CALIPER</a> <a href="#">FRONT BRAKE CALIPER</a>
44023-83C	<a href="#">FRONT BRAKE CALIPER</a>
44035-86A	<a href="#">REAR BRAKE CALIPER</a>
44039-86	<a href="#">REAR BRAKE CALIPER</a>
44045-87	<a href="#">REAR BRAKE CALIPER</a>
44046-84C	<a href="#">FRONT BRAKE CALIPER</a>
44047-83	<a href="#">FRONT BRAKE CALIPER</a> <a href="#">FRONT BRAKE CALIPER</a>
44048-83	<a href="#">FRONT BRAKE CALIPER</a> <a href="#">FRONT BRAKE CALIPER</a> <a href="#">REAR BRAKE CALIPER</a>
44050-87	<a href="#">REAR BRAKE CALIPER</a>
44053-92A	<a href="#">FRONT BRAKE CALIPER</a> <a href="#">FRONT BRAKE CALIPER</a>
44054-83	<a href="#">FRONT BRAKE CALIPER</a>



	<a href="#"><u>FRONT BRAKE CALIPER</u></a>
44059-83	<a href="#"><u>FRONT BRAKE CALIPER</u></a> <a href="#"><u>FRONT BRAKE CALIPER</u></a>
44061-83	<a href="#"><u>FRONT BRAKE CALIPER</u></a> <a href="#"><u>FRONT BRAKE CALIPER</u></a>
44062-83	<a href="#"><u>FRONT BRAKE CALIPER</u></a> <a href="#"><u>FRONT BRAKE CALIPER</u></a>
44063-83C	<a href="#"><u>FRONT BRAKE CALIPER</u></a> <a href="#"><u>FRONT BRAKE CALIPER</u></a>
44072-92A	<a href="#"><u>FRONT BRAKE CALIPER</u></a>
44073-92A	<a href="#"><u>FRONT BRAKE CALIPER</u></a>
44126-87	<a href="#"><u>REAR BRAKE CONTROL</u></a>
44136-92	<a href="#"><u>FRONT WHEEL</u></a> <a href="#"><u>FRONT WHEEL</u></a>
44147-87A	<a href="#"><u>REAR BRAKE CALIPER</u></a>
44152-77	<a href="#"><u>REAR BRAKE CALIPER</u></a>
44196-90	<a href="#"><u>REAR BRAKE CALIPER</u></a>
44197-77	<a href="#"><u>FRONT BRAKE CALIPER</u></a> <a href="#"><u>FRONT BRAKE CALIPER</u></a>
44198-87	<a href="#"><u>REAR BRAKE CALIPER</u></a>
44204-90	<a href="#"><u>REAR BRAKE CALIPER</u></a>
44209-87C	<a href="#"><u>REAR BRAKE CALIPER</u></a>
4453	<a href="#"><u>FRONT FORK - FXD, FXDL &amp; FXDS-CON (1 OF 2)</u></a>
4460	<a href="#"><u>FRONT FORK - FXD, FXDL &amp; FXDS-CON (1 OF 2)</u></a>
45004-85	<a href="#"><u>REAR BRAKE CONTROL</u></a>
45004-96A	<a href="#"><u>FRONT BRAKE CONTROL</u></a>
45005-85	<a href="#"><u>REAR BRAKE CONTROL</u></a>
45005-96	<a href="#"><u>FRONT BRAKE CONTROL</u></a>
45006-96C	<a href="#"><u>FRONT BRAKE CONTROL</u></a>
45013-96D	<a href="#"><u>FRONT BRAKE CONTROL</u></a>
45015-96	<a href="#"><u>CLUTCH CONTROL</u></a>
45016-96	<a href="#"><u>FRONT BRAKE CONTROL</u></a>
45019-96D	<a href="#"><u>FRONT BRAKE CONTROL</u></a>
45021-86	<a href="#"><u>CLUTCH CONTROL</u></a>

45030-03C	<a href="#"><u>FRONT BRAKE CONTROL</u></a>
45032-82	<a href="#"><u>CLUTCH CONTROL</u></a> <a href="#"><u>FRONT BRAKE CONTROL</u></a>
45036-88	<a href="#"><u>CLUTCH CONTROL</u></a>
45042-96	<a href="#"><u>FRONT BRAKE CONTROL</u></a>
45044-96A	<a href="#"><u>CLUTCH CONTROL</u></a> <a href="#"><u>FRONT BRAKE CONTROL</u></a>
45072-96C	<a href="#"><u>FRONT BRAKE CONTROL</u></a>
45074-95	<a href="#"><u>FRONT BRAKE CONTROL</u></a>
45096-95A	<a href="#"><u>FRONT TURN SIGNALS</u></a>
45111-96	<a href="#"><u>FRONT BRAKE CONTROL</u></a>
45112-96A	<a href="#"><u>FRONT BRAKE CONTROL</u></a>
45121-96A	<a href="#"><u>FRONT BRAKE CONTROL</u></a>
45360-90	<a href="#"><u>FRONT FORK - FXD, FXDL &amp; FXDS-CON (1 OF 2)</u></a>
45361-90	<a href="#"><u>FRONT FORK - FXD, FXDL &amp; FXDS-CON (1 OF 2)</u></a>
45362-90	<a href="#"><u>FRONT FORK - FXD, FXDL &amp; FXDS-CON (1 OF 2)</u></a>
45363-94	<a href="#"><u>FRONT FORK - FXD, FXDL &amp; FXDS-CON (1 OF 2)</u></a>
45364-94	<a href="#"><u>FRONT FORK - FXD, FXDL &amp; FXDS-CON (2 OF 2)</u></a>
45365-94	<a href="#"><u>FRONT FORK - FXD, FXDL &amp; FXDS-CON (1 OF 2)</u></a>
45374-87	<a href="#"><u>FRONT FORK - FXD, FXDL &amp; FXDS-CON (1 OF 2)</u></a>
45377-87	<a href="#"><u>FRONT FORK - FXD, FXDL &amp; FXDS-CON (1 OF 2)</u></a>
45378-87	<a href="#"><u>FRONT FORK - FXD, FXDL &amp; FXDS-CON (1 OF 2)</u></a>
45395-92	<a href="#"><u>FRONT FORK - FXD, FXDL &amp; FXDS-CON (1 OF 2)</u></a>
45401-87	<a href="#"><u>FRONT FORK - FXD, FXDL &amp; FXDS-CON (1 OF 2)</u></a>
45405-75A	<a href="#"><u>FRONT FORK - FXD, FXDL &amp; FXDS-CON (1 OF 2)</u></a> <a href="#"><u>FRONT FORK - FXDWG</u></a>
45417-84	<a href="#"><u>FRONT FORK - FXDWG</u></a>
45418-84	<a href="#"><u>FRONT FORK - FXDWG</u></a>
45419-80	<a href="#"><u>FRONT FORK - FXDWG</u></a>
45420-80	<a href="#"><u>FRONT FORK - FXDWG</u></a>
45423-92	<a href="#"><u>CLUTCH CONTROL</u></a>
45423-96	<a href="#"><u>FRONT BRAKE CONTROL</u></a>

45460-90	<a href="#">FRONT FORK - FXD, FXDL &amp; FXDS-CON (1 OF 2)</a>
45461-87	<a href="#">FRONT FORK - FXD, FXDL &amp; FXDS-CON (2 OF 2)</a>
45465-87	<a href="#">FRONT FORK - FXD, FXDL &amp; FXDS-CON (2 OF 2)</a>
45546-90	<a href="#">FRONT FORK - FXD, FXDL &amp; FXDS-CON (1 OF 2)</a>
45598-90B	<a href="#">FRONT FORK - FXD, FXDL &amp; FXDS-CON (2 OF 2)</a>
45611-86	<a href="#">FRONT FORK - FXD, FXDL &amp; FXDS-CON (2 OF 2)</a> <a href="#">FRONT FORK - FXDWG</a>
45648-85A	<a href="#">FRONT FORK - FXDWG</a>
45668-90	<a href="#">FRONT FORK - FXD, FXDL &amp; FXDS-CON (2 OF 2)</a>
45670-80A	<a href="#">FRONT FORK - FXDWG</a>
45672-80B	<a href="#">FRONT FORK - FXDWG</a>
45679-92	<a href="#">FRONT FORK - FXDWG</a>
45685-93	<a href="#">FRONT FORK - FXDWG</a> <a href="#">HEADLAMP</a>
45717-63	<a href="#">FRONT FORK - FXDWG</a>
45718-60	<a href="#">FRONT FORK - FXDWG</a>
45733-48	<a href="#">FRONT FORK - FXDWG</a>
45739-87	<a href="#">FRONT FORK - FXD, FXDL &amp; FXDS-CON (2 OF 2)</a>
45790-80	<a href="#">FRONT FORK - FXD, FXDL &amp; FXDS-CON (2 OF 2)</a>
45830-48	<a href="#">OIL PUMP</a>
45832-77A	<a href="#">FRONT FORK - FXDWG</a>
45834-77	<a href="#">FRONT FORK - FXDWG</a>
45838-77	<a href="#">FRONT FORK - FXDWG</a>
45842-77A	<a href="#">FRONT FORK - FXDWG</a>
45845-77	<a href="#">FRONT FORK - FXDWG</a>
45855-77	<a href="#">FRONT FORK - FXDWG</a>
45858-77	<a href="#">FRONT FORK - FXDWG</a>
45859-77A	<a href="#">FRONT FORK - FXDWG</a>
45865-84	<a href="#">FRONT FORK - FXDWG</a>
45866-84	<a href="#">FRONT FORK - FXDWG</a>
45873-91A	<a href="#">FRONT FORK - FXDWG</a>
45874-91	<a href="#">FRONT FORK - FXDWG</a>

45875-84A	<a href="#">FRONT FORK - FXDWG</a>
45905-87	<a href="#">FRONT FORK - FXD, FXDL &amp; FXDS-CON (2 OF 2)</a>
45921-87	<a href="#">FRONT FORK - FXD, FXDL &amp; FXDS-CON (2 OF 2)</a>
45922-87	<a href="#">FRONT FORK - FXD, FXDL &amp; FXDS-CON (2 OF 2)</a>
45923-87	<a href="#">FRONT FORK - FXD, FXDL &amp; FXDS-CON (2 OF 2)</a>
45925-94	<a href="#">FRONT FORK - FXD, FXDL &amp; FXDS-CON (2 OF 2)</a>
45926-90	<a href="#">FRONT FORK - FXD, FXDL &amp; FXDS-CON (2 OF 2)</a>
45934-86	<a href="#">FRONT FORK - FXD, FXDL &amp; FXDS-CON (2 OF 2)</a> <a href="#">FRONT FORK - FXD, FXDL &amp; FXDS-CON (2 OF 2)</a> <a href="#">FRONT FORK - FXDWG</a>
45940-84	<a href="#">FRONT FORK - FXDWG</a>
45941-95	<a href="#">FRONT FORK - FXD, FXDL &amp; FXDS-CON (1 OF 2)</a>
45947-95	<a href="#">FRONT FORK - FXD, FXDL &amp; FXDS-CON (1 OF 2)</a>
45948-95	<a href="#">FRONT FORK - FXD, FXDL &amp; FXDS-CON (1 OF 2)</a>
45949-92	<a href="#">FRONT FORK - FXD, FXDL &amp; FXDS-CON (1 OF 2)</a>
45952-90	<a href="#">FRONT FORK - FXD, FXDL &amp; FXDS-CON (1 OF 2)</a>
45976-94	<a href="#">FRONT FORK - FXD, FXDL &amp; FXDS-CON (1 OF 2)</a>
45977-94	<a href="#">FRONT FORK - FXD, FXDL &amp; FXDS-CON (1 OF 2)</a>
45984-87	<a href="#">FRONT FORK - FXD, FXDL &amp; FXDS-CON (2 OF 2)</a>
45990-88	<a href="#">FRONT FORK - FXD, FXDL &amp; FXDS-CON (2 OF 2)</a>
45991-92	<a href="#">REAR FORK</a>
45996-87	<a href="#">FRONT FORK - FXD, FXDL &amp; FXDS-CON (2 OF 2)</a>
45998-73	<a href="#">FRONT FORK - FXDWG</a>
46002-87	<a href="#">FRONT FORK - FXD, FXDL &amp; FXDS-CON (2 OF 2)</a>
46004-91A	<a href="#">FRONT FORK - FXDWG</a>
46006-91A	<a href="#">FRONT FORK - FXDWG</a>
46020-84	<a href="#">FRONT FORK - FXDWG</a>
46048-84	<a href="#">FRONT FORK - FXDWG</a>
47082-81	<a href="#">REAR FORK</a>
47132-97B	<a href="#">BATTERY TRAY &amp; BATTERY</a>
4713W	<a href="#">AIR CLEANER &amp; ENRICHENER</a> <a href="#">REAR BRAKE CONTROL</a>

4716W	<a href="#">CYLINDERS, VALVES &amp; HEADS - V2™ EVOLUTION</a>
4717A	<a href="#">TRANSMISSION BEARINGS &amp; SIDE COVERS</a> <a href="#">TRANSMISSION HOUSING &amp; OIL TANK</a>
4718A	<a href="#">ROCKER ARMS, COVERS &amp; PUSHRODS - V2™ EVOLUTION</a> <a href="#">CRANKCASE - GEAR SIDE</a> <a href="#">TRANSMISSION HOUSING &amp; OIL TANK</a> <a href="#">EXHAUST SYSTEM</a>
47207-96A	<a href="#">CALIFORNIA EVAPORATIVE EMISSIONS KIT</a>
4721	<a href="#">CYLINDERS, VALVES &amp; HEADS - V2™ EVOLUTION</a> <a href="#">FOOTRESTS</a>
4722	<a href="#">HEADLAMP</a>
47226-90A	<a href="#">FRAME &amp; JIFFY STAND</a>
4724	<a href="#">HEADLAMP</a>
4729	<a href="#">FRONT FORK - FXDWG</a>
47318-98	<a href="#">FRAME &amp; JIFFY STAND</a>
4740A	<a href="#">CRANKCASE - GEAR SIDE</a> <a href="#">TRANSMISSION HOUSING &amp; OIL TANK</a> <a href="#">PRIMARY HOUSING</a>
4741A	<a href="#">TRANSMISSION HOUSING &amp; OIL TANK</a> <a href="#">FRONT BRAKE CONTROL</a>
47427-97A	<a href="#">FRAME &amp; JIFFY STAND</a>
4742A	<a href="#">OIL PUMP</a>
47456-97A	<a href="#">FRAME &amp; JIFFY STAND</a>
47496-90	<a href="#">REAR FORK</a>
47499-90	<a href="#">REAR FORK</a>
47519-83A	<a href="#">FRONT WHEEL</a> <a href="#">REAR WHEEL</a>
47564-90B	<a href="#">FRAME &amp; JIFFY STAND</a>
47565-90	<a href="#">REAR FORK</a>
47583-90B	<a href="#">FRAME &amp; JIFFY STAND</a>
47624-90B	<a href="#">REAR FORK</a>
47817-90	<a href="#">REAR FORK</a>
47820-90A	<a href="#">REAR FORK</a>
48047-95A	<a href="#">INSTRUMENTS - FXDL</a>
4813A	<a href="#">CRANKCASE - GEAR SIDE</a>

4814A	<a href="#"><u>TRANSMISSION BEARINGS &amp; SIDE COVERS</u></a>
4816A	<a href="#"><u>HANDLEBAR</u></a> <a href="#"><u>HANDLEBAR</u></a>
4820A	<a href="#"><u>PRIMARY HOUSING</u></a>
4822A	<a href="#"><u>TRANSMISSION HOUSING &amp; OIL TANK</u></a>
48300-60	<a href="#"><u>FRONT FORK - FXD, FXDL &amp; FXDS-CON (2 OF 2)</u></a> <a href="#"><u>FRONT FORK - FXDWG</u></a>
48315-60	<a href="#"><u>FRONT FORK - FXD, FXDL &amp; FXDS-CON (2 OF 2)</u></a> <a href="#"><u>FRONT FORK - FXDWG</u></a> <a href="#"><u>FRAME &amp; JIFFY STAND</u></a>
48332-48C	<a href="#"><u>FRONT FORK - FXDWG</u></a>
48361-80	<a href="#"><u>FRONT FORK - FXD, FXDL &amp; FXDS-CON (2 OF 2)</u></a> <a href="#"><u>FRONT FORK - FXDWG</u></a>
48365-48A	<a href="#"><u>FRONT FORK - FXD, FXDL &amp; FXDS-CON (2 OF 2)</u></a> <a href="#"><u>FRONT FORK - FXDWG</u></a>
49035-03	<a href="#"><u>FOOTRESTS</u></a>
49127-77A	<a href="#"><u>FOOTRESTS</u></a>
49165-90	<a href="#"><u>FOOTRESTS</u></a>
49377-09A	<a href="#"><u>FRONT FORK - FXDWG</u></a>
49378-09	<a href="#"><u>FRONT FORK - FXD, FXDL &amp; FXDS-CON (2 OF 2)</u></a>
49704-90H	<a href="#"><u>FRAME &amp; JIFFY STAND</u></a>
49710-94B	<a href="#"><u>FRAME &amp; JIFFY STAND</u></a>
49720-90	<a href="#"><u>FRAME &amp; JIFFY STAND</u></a>
49723-90	<a href="#"><u>FRAME &amp; JIFFY STAND</u></a>
50003-89B	<a href="#"><u>FRAME &amp; JIFFY STAND</u></a>
50053-90	<a href="#"><u>FRAME &amp; JIFFY STAND</u></a>
50054-90	<a href="#"><u>FRAME &amp; JIFFY STAND</u></a>
50057-91	<a href="#"><u>FRAME &amp; JIFFY STAND</u></a>
50639-90A	<a href="#"><u>FOOTRESTS</u></a>
50643-82	<a href="#"><u>FOOTRESTS</u></a> <a href="#"><u>FOOTRESTS</u></a>
50646-82	<a href="#"><u>FOOTRESTS</u></a> <a href="#"><u>FOOTRESTS</u></a>
50647-82	<a href="#"><u>FOOTRESTS</u></a> <a href="#"><u>FOOTRESTS</u></a>

50649-90	<a href="#">FOOTRESTS</a>
50912-72	<a href="#">FOOTRESTS</a>
510	<a href="#">REAR WHEEL</a>
51176-96B	<a href="#">SEATS &amp; SISSY BAR</a>
515	<a href="#">REAR BRAKE CONTROL</a>
51652-97A	<a href="#">SEATS &amp; SISSY BAR</a>
51938-04	<a href="#">REAR BRAKE CONTROL</a>
52166-96	<a href="#">SEATS &amp; SISSY BAR</a>
52171-96	<a href="#">SEATS &amp; SISSY BAR</a>
52174-96	<a href="#">SEATS &amp; SISSY BAR</a>
52175-96	<a href="#">SEATS &amp; SISSY BAR</a>
52183-96	<a href="#">SEATS &amp; SISSY BAR</a>
52441-95	<a href="#">INSTRUMENTS - FXD &amp; FXDS-CON</a> <a href="#">INSTRUMENTS - FXDL</a>
52543-94	<a href="#">SEATS &amp; SISSY BAR</a>
52545-84	<a href="#">SEATS &amp; SISSY BAR</a>
52655-84	<a href="#">SEATS &amp; SISSY BAR</a>
52739-83	<a href="#">SEATS &amp; SISSY BAR</a>
52740-94A	<a href="#">FOOTRESTS</a>
52742-94	<a href="#">FOOTRESTS</a>
52750-82	<a href="#">SEATS &amp; SISSY BAR</a>
52771-82	<a href="#">SEATS &amp; SISSY BAR</a>
52780-96B	<a href="#">SEATS &amp; SISSY BAR</a>
52799-96B	<a href="#">SEATS &amp; SISSY BAR</a>
52800-93A	<a href="#">SEATS &amp; SISSY BAR</a>
52801-93A	<a href="#">SEATS &amp; SISSY BAR</a>
53156-86	<a href="#">HANDLEBAR</a>
534	<a href="#">REAR FORK</a>
53438-92	<a href="#">HEADLAMP</a>
53439-79	<a href="#">INSTRUMENTS - FXD &amp; FXDS-CON</a> <a href="#">INSTRUMENTS - FXDL</a> <a href="#">INSTRUMENTS - FXDWG</a> <a href="#">FUEL TANK INSTRUMENTS - FXD &amp; FXDS-CON</a>

53554-81	<a href="#"><u>SEATS &amp; SISSY BAR</u></a>
5403B	<a href="#"><u>LICENSE PLATE BRACKETS</u></a>
5414	<a href="#"><u>EXHAUST SYSTEM</u></a>
54321-85	<a href="#"><u>FRONT WHEEL</u></a> <a href="#"><u>REAR WHEEL</u></a>
5444	<a href="#"><u>BELTS, CHAINS, SPROCKETS &amp; REAR BELT GUARD</u></a>
5445W	<a href="#"><u>EXHAUST SYSTEM</u></a>
54473-79	<a href="#"><u>SHOCK ABSORBERS - HYDRAULIC</u></a>
54474-79	<a href="#"><u>SHOCK ABSORBERS - HYDRAULIC</u></a>
54475-79	<a href="#"><u>SHOCK ABSORBERS - HYDRAULIC</u></a>
54512-90A	<a href="#"><u>SHOCK ABSORBERS - HYDRAULIC</u></a>
54556-84	<a href="#"><u>SHOCK ABSORBERS - HYDRAULIC</u></a>
54557-90A	<a href="#"><u>SHOCK ABSORBERS - HYDRAULIC</u></a>
54569-84	<a href="#"><u>SHOCK ABSORBERS - HYDRAULIC</u></a>
54577-94	<a href="#"><u>SHOCK ABSORBERS - HYDRAULIC</u></a>
54708-65A	<a href="#"><u>SHOCK ABSORBERS - HYDRAULIC</u></a>
54710-84	<a href="#"><u>SHOCK ABSORBERS - HYDRAULIC</u></a>
554A	<a href="#"><u>FRAME &amp; JIFFY STAND</u></a>
56073-83	<a href="#"><u>HANDLEBAR</u></a>
56079-93	<a href="#"><u>HANDLEBAR</u></a>
56081-82A	<a href="#"><u>HANDLEBAR</u></a>
56115-95	<a href="#"><u>HANDLEBAR</u></a>
56116-82A	<a href="#"><u>HANDLEBAR</u></a> <a href="#"><u>HANDLEBAR</u></a>
56117-82A	<a href="#"><u>HANDLEBAR</u></a> <a href="#"><u>HANDLEBAR</u></a>
56119-77A	<a href="#"><u>HANDLEBAR</u></a>
56153-73	<a href="#"><u>HANDLEBAR</u></a>
56159-73	<a href="#"><u>HANDLEBAR</u></a>
56206-96	<a href="#"><u>THROTTLE CONTROL</u></a>
56220-94A	<a href="#"><u>THROTTLE CONTROL</u></a>
56239-93	<a href="#"><u>FRONT &amp; REAR FENDER &amp; REAR FENDER COVERS</u></a>



56355-96A	<a href="#"><u>THROTTLE CONTROL</u></a>
56356-96A	<a href="#"><u>THROTTLE CONTROL</u></a>
56394-74	<a href="#"><u>THROTTLE CONTROL</u></a>
56396-74A	<a href="#"><u>THROTTLE CONTROL</u></a>
56397-74C	<a href="#"><u>THROTTLE CONTROL</u></a>
56402-83A	<a href="#"><u>THROTTLE CONTROL</u></a>
56508-76	<a href="#"><u>THROTTLE CONTROL</u></a>
56541-86A	<a href="#"><u>HANDLEBAR</u></a>
56542-86A	<a href="#"><u>HANDLEBAR</u></a>
56567-86B	<a href="#"><u>HANDLEBAR</u></a>
5710	<a href="#"><u>FRONT FORK - FXDWG</u></a>
5714	<a href="#"><u>MIRRORS</u></a>
5756	<a href="#"><u>REAR WHEEL</u></a>
58109-88B	<a href="#"><u>WINDSHIELD - FXDS-CON</u></a>
58419-88	<a href="#"><u>WINDSHIELD - FXDS-CON</u></a>
58420-88	<a href="#"><u>WINDSHIELD - FXDS-CON</u></a>
58421-88	<a href="#"><u>WINDSHIELD - FXDS-CON</u></a>
58422-88	<a href="#"><u>WINDSHIELD - FXDS-CON</u></a>
58423-88	<a href="#"><u>WINDSHIELD - FXDS-CON</u></a>
58424-88	<a href="#"><u>WINDSHIELD - FXDS-CON</u></a>
58425-88	<a href="#"><u>WINDSHIELD - FXDS-CON</u></a>
58426-88	<a href="#"><u>WINDSHIELD - FXDS-CON</u></a>
58446-96	<a href="#"><u>WINDSHIELD - FXDS-CON</u></a>
58447-96	<a href="#"><u>WINDSHIELD - FXDS-CON</u></a>
58448-96	<a href="#"><u>WINDSHIELD - FXDS-CON</u></a>
58449-96	<a href="#"><u>WINDSHIELD - FXDS-CON</u></a>
5883	<a href="#"><u>BELTS, CHAINS, SPROCKETS &amp; REAR BELT GUARD</u></a>
58998-83E	<a href="#"><u>FRONT &amp; REAR FENDER &amp; REAR FENDER COVERS</u></a>
59138-96	<a href="#"><u>FRONT &amp; REAR FENDER &amp; REAR FENDER COVERS</u></a>
59150-90	<a href="#"><u>FRONT &amp; REAR FENDER &amp; REAR FENDER COVERS</u></a>
59171-96	<a href="#"><u>FRONT &amp; REAR FENDER &amp; REAR FENDER COVERS</u></a>

59251-90	<a href="#"><u>FRONT &amp; REAR FENDER &amp; REAR FENDER COVERS LICENSE PLATE BRACKETS</u></a>
59259-90	<a href="#"><u>FRONT &amp; REAR FENDER &amp; REAR FENDER COVERS LICENSE PLATE BRACKETS</u></a>
59272-90	<a href="#"><u>FRAME &amp; JIFFY STAND</u></a>
59279-94	<a href="#"><u>SADDLEBAGS - FXDS-CON</u></a>
59284-94	<a href="#"><u>SADDLEBAGS - FXDS-CON</u></a>
59287-92	<a href="#"><u>FRONT &amp; REAR FENDER &amp; REAR FENDER COVERS</u></a>
59288-92	<a href="#"><u>FRONT &amp; REAR FENDER &amp; REAR FENDER COVERS</u></a>
59289-92	<a href="#"><u>FRONT &amp; REAR FENDER &amp; REAR FENDER COVERS</u></a>
59290-92	<a href="#"><u>FRONT &amp; REAR FENDER &amp; REAR FENDER COVERS</u></a>
59293-94	<a href="#"><u>SADDLEBAGS - FXDS-CON</u></a>
59294-94	<a href="#"><u>SADDLEBAGS - FXDS-CON</u></a>
59481-00	<a href="#"><u>FRONT FORK - FXD, FXDL &amp; FXDS-CON (2 OF 2)</u></a>
59482-00	<a href="#"><u>FRONT FORK - FXD, FXDL &amp; FXDS-CON (2 OF 2)</u></a>
59669-97	<a href="#"><u>FRONT &amp; REAR FENDER &amp; REAR FENDER COVERS</u></a>
59750-97	<a href="#"><u>FRONT &amp; REAR FENDER &amp; REAR FENDER COVERS</u></a>
59751-97	<a href="#"><u>FRONT &amp; REAR FENDER &amp; REAR FENDER COVERS</u></a>
59752-97	<a href="#"><u>FRONT &amp; REAR FENDER &amp; REAR FENDER COVERS</u></a>
59768-97	<a href="#"><u>FRONT &amp; REAR FENDER &amp; REAR FENDER COVERS</u></a>
5978W	<a href="#"><u>BELTS, CHAINS, SPROCKETS &amp; REAR BELT GUARD</u></a>
59893-96	<a href="#"><u>FRONT &amp; REAR FENDER &amp; REAR FENDER COVERS</u></a>
59924-80B	<a href="#"><u>FRONT &amp; REAR FENDER &amp; REAR FENDER COVERS</u></a>
59979-93	<a href="#"><u>LICENSE PLATE BRACKETS</u></a>
59984-73	<a href="#"><u>LICENSE PLATE BRACKETS</u></a>
59986-75	<a href="#"><u>LICENSE PLATE BRACKETS</u></a>
59988-72A	<a href="#"><u>LICENSE PLATE BRACKETS</u></a>
59994-93A	<a href="#"><u>LICENSE PLATE BRACKETS</u></a>
60001-55	<a href="#"><u>LICENSE PLATE BRACKETS</u></a>
60007-96	<a href="#"><u>FRONT &amp; REAR FENDER &amp; REAR FENDER COVERS</u></a>
60019-93A	<a href="#"><u>LICENSE PLATE BRACKETS</u></a>
60026-97	<a href="#"><u>LICENSE PLATE BRACKETS</u></a>

6003	<a href="#"><u>TRANSMISSION GEARS</u></a>
601	<a href="#"><u>GEAR SHIFTER (1 OF 2)</u></a>
6012	<a href="#"><u>SHOCK ABSORBERS - HYDRAULIC</u></a>
6016	<a href="#"><u>ROCKER ARMS, COVERS &amp; PUSHRODS - V2™ EVOLUTION</u></a> <a href="#"><u>CRANKCASE</u></a> <a href="#"><u>GEAR SHIFTER (1 OF 2)</u></a> <a href="#"><u>TRANSMISSION BEARINGS &amp; SIDE COVERS</u></a> <a href="#"><u>PRIMARY HOUSING</u></a> <a href="#"><u>FRONT &amp; REAR FENDER &amp; REAR FENDER COVERS</u></a>
6019	<a href="#"><u>CYLINDERS, VALVES &amp; HEADS - V2™ EVOLUTION</u></a> <a href="#"><u>CRANKCASE</u></a> <a href="#"><u>FRONT BRAKE CALIPER</u></a> <a href="#"><u>FRONT BRAKE CALIPER</u></a>
60293-90A	<a href="#"><u>BELTS, CHAINS, SPROCKETS &amp; REAR BELT GUARD</u></a>
60297-90A	<a href="#"><u>BELTS, CHAINS, SPROCKETS &amp; REAR BELT GUARD</u></a>
60348-65B	<a href="#"><u>TRANSMISSION HOUSING &amp; OIL TANK</u></a>
6036	<a href="#"><u>SEATS &amp; SISSY BAR</u></a>
60399-90A	<a href="#"><u>BELTS, CHAINS, SPROCKETS &amp; REAR BELT GUARD</u></a>
60529-90A	<a href="#"><u>PRIMARY HOUSING</u></a>
60539-94B	<a href="#"><u>PRIMARY HOUSING</u></a>
60543-95	<a href="#"><u>PRIMARY HOUSING</u></a>
60562-95A	<a href="#"><u>PRIMARY HOUSING</u></a>
60567-90C	<a href="#"><u>PRIMARY HOUSING</u></a>
60572-86	<a href="#"><u>PRIMARY HOUSING</u></a>
6058	<a href="#"><u>IGNITION MODULE &amp; COIL</u></a>
60647-94	<a href="#"><u>STARTER MOTOR</u></a>
60663-95A	<a href="#"><u>PRIMARY HOUSING</u></a>
60668-84B	<a href="#"><u>PRIMARY HOUSING</u></a>
60678-85	<a href="#"><u>PRIMARY HOUSING</u></a>
60691-94A	<a href="#"><u>PRIMARY HOUSING</u></a>
60692-94A	<a href="#"><u>PRIMARY HOUSING</u></a>
609	<a href="#"><u>TRANSMISSION BEARINGS &amp; SIDE COVERS</u></a> <a href="#"><u>TRANSMISSION HOUSING &amp; OIL TANK</u></a>
6099	<a href="#"><u>OIL PUMP</u></a> <a href="#"><u>REAR BRAKE CONTROL</u></a> <a href="#"><u>SWITCHES &amp; CIRCUIT BREAKERS</u></a>

6101	<a href="#">CLUTCH CONTROL</a> <a href="#">FRONT BRAKE CONTROL</a>
61039-96	<a href="#">FUEL TANKS</a>
61054-96	<a href="#">FUEL TANKS</a>
6109	<a href="#">AIR CLEANER &amp; ENRICHENER</a> <a href="#">HORN</a>
61095-92	<a href="#">AIR CLEANER &amp; ENRICHENER</a>
61109-85D	<a href="#">FUEL TANKS</a>
6113	<a href="#">SHOCK ABSORBERS - HYDRAULIC</a>
61131-92	<a href="#">FUEL TANKS</a>
6116	<a href="#">IGNITION MODULE &amp; COIL</a> <a href="#">FUEL TANKS</a>
61166-93A	<a href="#">FUEL TANK TRIM</a>
61192-96A	<a href="#">INSTRUMENTS - FXDL</a> <a href="#">INSTRUMENTS - FXDWG</a>
61223-02	<a href="#">FUEL TANK INSTRUMENTS - FXD &amp; FXDS-CON</a>
61235-94	<a href="#">FUEL TANK INSTRUMENTS - FXD &amp; FXDS-CON</a>
61244-02	<a href="#">FUEL TANK TRIM</a>
61267-97	<a href="#">FUEL TANKS</a>
61272-92C	<a href="#">FUEL TANKS</a>
61324-88A	<a href="#">INSTRUMENTS - FXDL</a> <a href="#">INSTRUMENTS - FXDWG</a>
61338-94B	<a href="#">FUEL TANKS</a>
61338-94D	<a href="#">FUEL TANKS</a>
61344-01	<a href="#">FUEL TANK INSTRUMENTS - FXD &amp; FXDS-CON</a>
61344-94	<a href="#">FUEL TANK INSTRUMENTS - FXD &amp; FXDS-CON</a>
61400-94	<a href="#">FUEL TANK INSTRUMENTS - FXD &amp; FXDS-CON</a>
61450-95	<a href="#">FUEL TANKS</a>
61772-01A	<a href="#">FUEL TANK INSTRUMENTS - FXD &amp; FXDS-CON</a>
61911-95	<a href="#">FUEL TANKS</a>
62021-96	<a href="#">FUEL TANKS</a>
62065-98	<a href="#">FUEL TANK TRIM</a>
62066-98	<a href="#">FUEL TANK TRIM</a>

62095-98	<a href="#"><u>SEATS &amp; SISSY BAR</u></a>
62123-66	<a href="#"><u>FRAME &amp; JIFFY STAND</u></a>
62150-85	<a href="#"><u>FUEL TANKS</u></a>
62161-02	<a href="#"><u>FUEL TANKS</u></a>
62170-02	<a href="#"><u>FUEL TANKS</u></a>
62170-81B	<a href="#"><u>FUEL TANKS</u></a>
62172-02	<a href="#"><u>FUEL TANKS</u></a>
62375-57A	<a href="#"><u>TRANSMISSION HOUSING &amp; OIL TANK</u></a>
6239	<a href="#"><u>OIL PUMP</u></a>
62421-90	<a href="#"><u>TRANSMISSION HOUSING &amp; OIL TANK</u></a>
62423-90A	<a href="#"><u>TRANSMISSION HOUSING &amp; OIL TANK</u></a>
62433-95	<a href="#"><u>TRANSMISSION HOUSING &amp; OIL TANK</u></a>
6253W	<a href="#"><u>AIR CLEANER &amp; ENRICHENER</u></a> <a href="#"><u>LICENSE PLATE BRACKETS</u></a>
62555-95	<a href="#"><u>CARBURETOR (2 OF 2)</u></a> <a href="#"><u>FUEL TANKS</u></a>
62649-90	<a href="#"><u>TRANSMISSION HOUSING &amp; OIL TANK</u></a>
62672-90	<a href="#"><u>TRANSMISSION HOUSING &amp; OIL TANK</u></a>
62673-90	<a href="#"><u>TRANSMISSION HOUSING &amp; OIL TANK</u></a>
62681-92A	<a href="#"><u>TRANSMISSION HOUSING &amp; OIL TANK</u></a>
62685-95A	<a href="#"><u>TRANSMISSION HOUSING &amp; OIL TANK</u></a>
631	<a href="#"><u>TRANSMISSION HOUSING &amp; OIL TANK</u></a>
6330	<a href="#"><u>HANDLEBAR</u></a> <a href="#"><u>INSTRUMENTS - FXD &amp; FXDS-CON</u></a>
634	<a href="#"><u>TRANSMISSION BEARINGS &amp; SIDE COVERS</u></a>
63501-68B	<a href="#"><u>CARBURETOR (2 OF 2)</u></a> <a href="#"><u>FUEL TANKS</u></a>
63523-92A	<a href="#"><u>OIL FILTERS &amp; MOUNTS</u></a>
63525-92	<a href="#"><u>OIL FILTERS &amp; MOUNTS</u></a>
63528-92	<a href="#"><u>OIL FILTERS &amp; MOUNTS</u></a>
63530-92	<a href="#"><u>OIL FILTERS &amp; MOUNTS</u></a>
63533-41A	<a href="#"><u>CRANKCASE</u></a> <a href="#"><u>TRANSMISSION HOUSING &amp; OIL TANK</u></a>

63534-90	<a href="#"><u>TRANSMISSION HOUSING &amp; OIL TANK</u></a>
63535-90	<a href="#"><u>TRANSMISSION HOUSING &amp; OIL TANK</u></a>
63538-92	<a href="#"><u>OIL FILTERS &amp; MOUNTS</u></a>
63554-90	<a href="#"><u>OIL PUMP</u></a> <a href="#"><u>TRANSMISSION HOUSING &amp; OIL TANK</u></a>
6366	<a href="#"><u>REAR BRAKE CONTROL</u></a>
6379W	<a href="#"><u>FRONT &amp; REAR FENDER &amp; REAR FENDER COVERS</u></a> <a href="#"><u>LICENSE PLATE BRACKETS</u></a> <a href="#"><u>SADDLEBAGS - FXDS-CON</u></a>
63813-90	<a href="#"><u>OIL FILTERS &amp; MOUNTS</u></a>
63858-49	<a href="#"><u>ROCKER ARMS, COVERS &amp; PUSHRODS - V2™ EVOLUTION</u></a>
63859-95B	<a href="#"><u>PRIMARY HOUSING</u></a>
6400HB	<a href="#"><u>BELTS, CHAINS, SPROCKETS &amp; REAR BELT GUARD</u></a>
6410	<a href="#"><u>AIR CLEANER &amp; ENRICHENER</u></a>
6497HW	<a href="#"><u>GEAR SHIFTER (1 OF 2)</u></a>
6506	<a href="#"><u>PISTONS, CONNECTING RODS &amp; FLYWHEELS</u></a>
6516HW	<a href="#"><u>REAR WHEEL</u></a>
65296-95A	<a href="#"><u>EXHAUST SYSTEM</u></a>
653	<a href="#"><u>CRANKCASE</u></a> <a href="#"><u>CRANKCASE - GEAR SIDE</u></a>
65302-82A	<a href="#"><u>EXHAUST SYSTEM</u></a>
65324-83B	<a href="#"><u>EXHAUST SYSTEM</u></a>
65325-83A	<a href="#"><u>EXHAUST SYSTEM</u></a>
65328-83A	<a href="#"><u>EXHAUST SYSTEM</u></a>
65376-95A	<a href="#"><u>EXHAUST SYSTEM</u></a>
65379-95	<a href="#"><u>EXHAUST SYSTEM</u></a>
65388-97	<a href="#"><u>EXHAUST SYSTEM</u></a>
65668-98	<a href="#"><u>EXHAUST SYSTEM</u></a>
65669-98	<a href="#"><u>EXHAUST SYSTEM</u></a>
65670-90A	<a href="#"><u>EXHAUST SYSTEM</u></a>
65674-95	<a href="#"><u>EXHAUST SYSTEM</u></a>
65695-95	<a href="#"><u>EXHAUST SYSTEM</u></a>
65701-95	<a href="#"><u>EXHAUST SYSTEM</u></a>

65746-95	<a href="#"><u>EXHAUST SYSTEM</u></a>
65747-90A	<a href="#"><u>EXHAUST SYSTEM</u></a>
65813-95	<a href="#"><u>EXHAUST SYSTEM</u></a>
65826-90A	<a href="#"><u>EXHAUST SYSTEM</u></a>
65827-90	<a href="#"><u>EXHAUST SYSTEM</u></a>
65844-95A	<a href="#"><u>EXHAUST SYSTEM</u></a>
65868-97	<a href="#"><u>EXHAUST SYSTEM</u></a>
6590HW	<a href="#"><u>FRONT WHEEL</u></a>
65989-97C	<a href="#"><u>BATTERY TRAY &amp; BATTERY</u></a>
66020-97	<a href="#"><u>BATTERY TRAY &amp; BATTERY</u></a>
66033-96	<a href="#"><u>BATTERY TRAY &amp; BATTERY</u></a>
66060-96	<a href="#"><u>BATTERY TRAY &amp; BATTERY</u></a>
66333-90	<a href="#"><u>SWITCHES &amp; CIRCUIT BREAKERS</u></a>
66352-65	<a href="#"><u>BATTERY TRAY &amp; BATTERY</u></a>
66361-90	<a href="#"><u>SWITCHES &amp; CIRCUIT BREAKERS</u></a>
66366-97	<a href="#"><u>BATTERY TRAY &amp; BATTERY</u></a>
66368-97	<a href="#"><u>BATTERY TRAY &amp; BATTERY</u></a>
66371-97	<a href="#"><u>BATTERY TRAY &amp; BATTERY</u></a>
66375-97	<a href="#"><u>BATTERY TRAY &amp; BATTERY</u></a>
6655	<a href="#"><u>FRONT FORK - FXD, FXDL &amp; FXDS-CON (1 OF 2)</u></a>
6701	<a href="#"><u>CYLINDERS, VALVES &amp; HEADS - V2™ EVOLUTION</u></a> <a href="#"><u>FRONT FORK - FXD, FXDL &amp; FXDS-CON (1 OF 2)</u></a> <a href="#"><u>FRAME &amp; JIFFY STAND</u></a> <a href="#"><u>FOOTRESTS</u></a> <a href="#"><u>HEADLAMP</u></a>
6702	<a href="#"><u>GEAR SHIFTER (1 OF 2)</u></a> <a href="#"><u>BELTS, CHAINS, SPROCKETS &amp; REAR BELT GUARD</u></a> <a href="#"><u>FRONT FORK - FXDWG</u></a> <a href="#"><u>HEADLAMP</u></a> <a href="#"><u>FRONT &amp; REAR FENDER &amp; REAR FENDER COVERS</u></a> <a href="#"><u>EXHAUST SYSTEM</u></a>
67025-96C	<a href="#"><u>INSTRUMENTS - FXD &amp; FXDS-CON</u></a> <a href="#"><u>INSTRUMENTS - FXDL</u></a>
6703	<a href="#"><u>IGNITION MODULE &amp; COIL</u></a> <a href="#"><u>BELTS, CHAINS, SPROCKETS &amp; REAR BELT GUARD</u></a> <a href="#"><u>FRONT BRAKE CONTROL</u></a> <a href="#"><u>LICENSE PLATE BRACKETS</u></a> <a href="#"><u>LICENSE PLATE BRACKETS</u></a>

	<a href="#"><u>LICENSE PLATE BRACKETS</u></a>
67042-95A	<a href="#"><u>INSTRUMENTS - FXD &amp; FXDS-CON</u></a> <a href="#"><u>INSTRUMENTS - FXDL</u></a>
67053-95	<a href="#"><u>INSTRUMENTS - FXD &amp; FXDS-CON</u></a>
67055-92	<a href="#"><u>FRONT &amp; REAR FENDER &amp; REAR FENDER COVERS</u></a>
67075-57A	<a href="#"><u>TAIL LAMP &amp; REAR TURN SIGNALS</u></a>
67085-95	<a href="#"><u>INSTRUMENTS - FXD &amp; FXDS-CON</u></a>
67103-95	<a href="#"><u>INSTRUMENTS - FXD &amp; FXDS-CON</u></a>
67104-95	<a href="#"><u>INSTRUMENTS - FXD &amp; FXDS-CON</u></a> <a href="#"><u>INSTRUMENTS - FXD &amp; FXDS-CON</u></a>
67119-95	<a href="#"><u>INSTRUMENTS - FXDL</u></a>
67121-95A	<a href="#"><u>INSTRUMENTS - FXD &amp; FXDS-CON</u></a> <a href="#"><u>INSTRUMENTS - FXD &amp; FXDS-CON</u></a>
67136-85	<a href="#"><u>INSTRUMENTS - FXD &amp; FXDS-CON</u></a> <a href="#"><u>INSTRUMENTS - FXDL</u></a> <a href="#"><u>INSTRUMENTS - FXDWG</u></a>
67177-95C	<a href="#"><u>INSTRUMENTS - FXD &amp; FXDS-CON</u></a> <a href="#"><u>INSTRUMENTS - FXDL</u></a>
67178-96C	<a href="#"><u>INSTRUMENTS - FXDWG</u></a>
67179-95C	<a href="#"><u>INSTRUMENTS - FXDWG</u></a>
6718	<a href="#"><u>FOOTRESTS</u></a>
67184-94	<a href="#"><u>INSTRUMENTS - FXD &amp; FXDS-CON</u></a> <a href="#"><u>INSTRUMENTS - FXDWG</u></a>
67185-95	<a href="#"><u>INSTRUMENTS - FXDL</u></a>
67190-89	<a href="#"><u>INSTRUMENTS - FXDWG</u></a>
67191-94	<a href="#"><u>INSTRUMENTS - FXD &amp; FXDS-CON</u></a> <a href="#"><u>INSTRUMENTS - FXD &amp; FXDS-CON</u></a> <a href="#"><u>INSTRUMENTS - FXDL</u></a> <a href="#"><u>INSTRUMENTS - FXDWG</u></a>
67256-98	<a href="#"><u>INSTRUMENTS - FXDWG</u></a>
67257-95C	<a href="#"><u>INSTRUMENTS - FXD &amp; FXDS-CON</u></a> <a href="#"><u>INSTRUMENTS - FXDL</u></a>
67266-94	<a href="#"><u>FRONT &amp; REAR FENDER &amp; REAR FENDER COVERS</u></a> <a href="#"><u>FRONT &amp; REAR FENDER &amp; REAR FENDER COVERS</u></a> <a href="#"><u>FRONT TURN SIGNALS</u></a>
67271-94A	<a href="#"><u>INSTRUMENTS - FXDWG</u></a>
67338-97	<a href="#"><u>INSTRUMENTS - FXD &amp; FXDS-CON</u></a>
6736	<a href="#"><u>ROCKER ARMS, COVERS &amp; PUSHRODS - V2™ EVOLUTION</u></a>



	<a href="#">GEAR SHIFTER (1 OF 2)</a>
67367-96	<a href="#">SWITCHES &amp; CIRCUIT BREAKERS</a>
6737	<a href="#">ROCKER ARMS, COVERS &amp; PUSHRODS - V2™ EVOLUTION</a>
6762B	<a href="#">ROCKER ARMS, COVERS &amp; PUSHRODS - V2™ EVOLUTION</a>
67685-92	<a href="#">HEADLAMP</a>
67691-92	<a href="#">HEADLAMP</a>
67698-81D	<a href="#">HEADLAMP</a>
67705-92	<a href="#">HEADLAMP</a>
6771A	<a href="#">OIL FILTERS &amp; MOUNTS</a>
67730-91	<a href="#">HEADLAMP</a>
67733-91A	<a href="#">HEADLAMP</a>
67757-92	<a href="#">HEADLAMP</a>
67763-92A	<a href="#">HEADLAMP</a>
67769-93	<a href="#">HEADLAMP</a>
67772-97	<a href="#">HEADLAMP</a>
67777-80A	<a href="#">HEADLAMP</a>
67781-92A	<a href="#">HEADLAMP</a>
67790-93A	<a href="#">HEADLAMP</a>
67805-92	<a href="#">HEADLAMP</a>
67807-92	<a href="#">HEADLAMP</a>
67815-59A	<a href="#">HEADLAMP</a>
67822-88	<a href="#">FRONT TURN SIGNALS</a>
67827-88A	<a href="#">FRONT TURN SIGNALS</a>
67828-88A	<a href="#">FRONT TURN SIGNALS</a>
67829-88	<a href="#">FRONT TURN SIGNALS</a>
67834-83	<a href="#">HEADLAMP</a>
67854-98	<a href="#">INSTRUMENTS - FXD &amp; FXDS-CON</a> <a href="#">INSTRUMENTS - FXDL</a> <a href="#">INSTRUMENTS - FXDWG</a>
67859-90	<a href="#">REAR FORK</a>
67865-89	<a href="#">HEADLAMP</a>
67880-94	<a href="#">INSTRUMENTS - FXD &amp; FXDS-CON</a> <a href="#">INSTRUMENTS - FXDL</a>

	<a href="#"><u>INSTRUMENTS - FXDWG</u></a>
68020-92A	<a href="#"><u>INSTRUMENTS - FXDL</u></a>
68021-92A	<a href="#"><u>INSTRUMENTS - FXDL</u></a>
68023-92A	<a href="#"><u>INSTRUMENTS - FXDL</u></a>
68024-92A	<a href="#"><u>INSTRUMENTS - FXDL</u></a>
68024-94	<a href="#"><u>INSTRUMENTS - FXD &amp; FXDS-CON</u></a> <a href="#"><u>INSTRUMENTS - FXDWG</u></a>
68026-73	<a href="#"><u>TAIL LAMP &amp; REAR TURN SIGNALS</u></a>
68027-90	<a href="#"><u>TAIL LAMP &amp; REAR TURN SIGNALS</u></a>
68032-90	<a href="#"><u>TAIL LAMP &amp; REAR TURN SIGNALS</u></a>
68033-90	<a href="#"><u>TAIL LAMP &amp; REAR TURN SIGNALS</u></a>
68036-91	<a href="#"><u>TAIL LAMP &amp; REAR TURN SIGNALS</u></a>
68048-93B	<a href="#"><u>TAIL LAMP &amp; REAR TURN SIGNALS</u></a>
68049-93B	<a href="#"><u>TAIL LAMP &amp; REAR TURN SIGNALS</u></a>
68123-73	<a href="#"><u>TAIL LAMP &amp; REAR TURN SIGNALS</u></a>
68163-84	<a href="#"><u>TAIL LAMP &amp; REAR TURN SIGNALS</u></a>
68168-89A	<a href="#"><u>FRONT TURN SIGNALS</u></a> <a href="#"><u>TAIL LAMP &amp; REAR TURN SIGNALS</u></a>
68169-90A	<a href="#"><u>TAIL LAMP &amp; REAR TURN SIGNALS</u></a>
68329-03	<a href="#"><u>HEADLAMP</u></a>
68424-89	<a href="#"><u>TAIL LAMP &amp; REAR TURN SIGNALS</u></a> <a href="#"><u>TAIL LAMP &amp; REAR TURN SIGNALS</u></a>
68430-89A	<a href="#"><u>TAIL LAMP &amp; REAR TURN SIGNALS</u></a>
68452-86	<a href="#"><u>FRONT TURN SIGNALS</u></a> <a href="#"><u>TAIL LAMP &amp; REAR TURN SIGNALS</u></a>
68456-89	<a href="#"><u>LICENSE PLATE BRACKETS</u></a>
68457-86	<a href="#"><u>FRONT TURN SIGNALS</u></a> <a href="#"><u>TAIL LAMP &amp; REAR TURN SIGNALS</u></a>
68480-93A	<a href="#"><u>TAIL LAMP &amp; REAR TURN SIGNALS</u></a>
68507-90	<a href="#"><u>TAIL LAMP &amp; REAR TURN SIGNALS</u></a>
68513-92	<a href="#"><u>INSTRUMENTS - FXDL</u></a>
68513-95A	<a href="#"><u>INSTRUMENTS - FXD &amp; FXDS-CON</u></a>
68516-92	<a href="#"><u>INSTRUMENTS - FXDL</u></a>
68516-95	<a href="#"><u>INSTRUMENTS - FXD &amp; FXDS-CON</u></a>

68540-96	<a href="#"><u>SWITCHES &amp; CIRCUIT BREAKERS</u></a>
68551-95	<a href="#"><u>INSTRUMENTS - FXD &amp; FXDS-CON</u></a>
68555-87	<a href="#"><u>FRONT TURN SIGNALS</u></a>
68566-90	<a href="#"><u>FRONT TURN SIGNALS</u></a>
68572-64B	<a href="#"><u>FRONT TURN SIGNALS</u></a> <a href="#"><u>TAIL LAMP &amp; REAR TURN SIGNALS</u></a>
68608-83	<a href="#"><u>INSTRUMENTS - FXDL</u></a>
68650-92	<a href="#"><u>HEADLAMP</u></a>
68709-94	<a href="#"><u>FRONT TURN SIGNALS</u></a>
68710-94	<a href="#"><u>FRONT TURN SIGNALS</u></a>
68760-94	<a href="#"><u>TAIL LAMP &amp; REAR TURN SIGNALS</u></a>
68763-94	<a href="#"><u>TAIL LAMP &amp; REAR TURN SIGNALS</u></a>
68774-98	<a href="#"><u>INSTRUMENTS - FXDWG</u></a>
68802-95	<a href="#"><u>TAIL LAMP &amp; REAR TURN SIGNALS</u></a> <a href="#"><u>TAIL LAMP &amp; REAR TURN SIGNALS</u></a>
68812-98	<a href="#"><u>INSTRUMENTS - FXD &amp; FXDS-CON</u></a>
68815-98	<a href="#"><u>INSTRUMENTS - FXDL</u></a>
68850-98	<a href="#"><u>INSTRUMENTS - FXD &amp; FXDS-CON</u></a>
69012-93A	<a href="#"><u>HORN</u></a>
69060-90F	<a href="#"><u>HORN</u></a>
69062-91A	<a href="#"><u>HORN</u></a>
69120-91	<a href="#"><u>HORN</u></a>
69122-95	<a href="#"><u>HORN</u></a>
69123-92A	<a href="#"><u>HORN</u></a>
69126-92	<a href="#"><u>AIR CLEANER &amp; ENRICHENER</u></a>
69558-98	<a href="#"><u>WIRING HARNESS, MAIN</u></a>
7003	<a href="#"><u>REAR BRAKE CONTROL</u></a>
70041-95	<a href="#"><u>ALTERNATOR &amp; REGULATOR</u></a>
7009	<a href="#"><u>REAR BRAKE CONTROL</u></a>
70102-96A	<a href="#"><u>BATTERY TRAY &amp; BATTERY</u></a>
70103-96	<a href="#"><u>BATTERY TRAY &amp; BATTERY</u></a>
70191-73A	<a href="#"><u>HANDLEBAR</u></a>

70250-95A	<a href="#"><u>INSTRUMENTS - FXDWG</u></a>
70276-96	<a href="#"><u>BATTERY TRAY &amp; BATTERY</u></a>
70345-84	<a href="#"><u>HANDLEBAR SWITCHES</u></a>
7038	<a href="#"><u>FRONT FORK - FXD, FXDL &amp; FXDS-CON (1 OF 2)</u></a> <a href="#"><u>FRAME &amp; JIFFY STAND</u></a> <a href="#"><u>FOOTRESTS</u></a> <a href="#"><u>HEADLAMP</u></a>
7039	<a href="#"><u>FRONT FORK - FXDWG</u></a> <a href="#"><u>FOOTRESTS</u></a>
7041	<a href="#"><u>STARTER MOTOR</u></a> <a href="#"><u>GEAR SHIFTER (1 OF 2)</u></a> <a href="#"><u>GEAR SHIFTER (1 OF 2)</u></a> <a href="#"><u>FRONT FORK - FXDWG</u></a>
7042	<a href="#"><u>FRONT TURN SIGNALS</u></a>
7045	<a href="#"><u>FOOTRESTS</u></a>
70504-81	<a href="#"><u>THROTTLE CONTROL</u></a>
70579-65	<a href="#"><u>WIRING HARNESS, MAIN</u></a>
70585-93	<a href="#"><u>INSTRUMENTS - FXD &amp; FXDS-CON</u></a> <a href="#"><u>INSTRUMENTS - FXDL</u></a> <a href="#"><u>INSTRUMENTS - FXDWG</u></a>
70595-96	<a href="#"><u>BATTERY TRAY &amp; BATTERY</u></a>
7068	<a href="#"><u>FRONT WHEEL</u></a> <a href="#"><u>SHOCK ABSORBERS - HYDRAULIC</u></a> <a href="#"><u>FOOTRESTS</u></a> <a href="#"><u>HANDLEBAR</u></a> <a href="#"><u>HEADLAMP</u></a>
7069	<a href="#"><u>INSTRUMENTS - FXD &amp; FXDS-CON</u></a> <a href="#"><u>INSTRUMENTS - FXDL</u></a> <a href="#"><u>INSTRUMENTS - FXDWG</u></a>
70984-96A	<a href="#"><u>SWITCHES &amp; CIRCUIT BREAKERS</u></a>
70986-96	<a href="#"><u>SWITCHES &amp; CIRCUIT BREAKERS</u></a>
71146-94	<a href="#"><u>INSTRUMENTS - FXDWG</u></a>
71246-95	<a href="#"><u>INSTRUMENTS - FXDWG</u></a>
71265-95	<a href="#"><u>INSTRUMENTS - FXDWG</u></a>
7127	<a href="#"><u>FRAME &amp; JIFFY STAND</u></a> <a href="#"><u>FRONT TURN SIGNALS</u></a> <a href="#"><u>MIRRORS</u></a>
71302-93A	<a href="#"><u>INSTRUMENTS - FXDWG</u></a>
7130W	<a href="#"><u>HEADLAMP</u></a>

71313-96A	<a href="#"><u>INSTRUMENTS - FXDWG</u></a>
71421-90B	<a href="#"><u>FRAME &amp; JIFFY STAND SWITCHES &amp; CIRCUIT BREAKERS</u></a>
71428-90B	<a href="#"><u>SWITCHES &amp; CIRCUIT BREAKERS</u></a>
71450-04	<a href="#"><u>FRAME &amp; JIFFY STAND INSTRUMENTS - FXDWG SWITCHES &amp; CIRCUIT BREAKERS</u></a>
71452-91A	<a href="#"><u>FRAME &amp; JIFFY STAND INSTRUMENTS - FXDWG SWITCHES &amp; CIRCUIT BREAKERS</u></a>
71555-90	<a href="#"><u>SWITCHES &amp; CIRCUIT BREAKERS</u></a>
71563-96	<a href="#"><u>HANDLEBAR SWITCHES</u></a>
71564-96	<a href="#"><u>HANDLEBAR SWITCHES</u></a>
71567-96	<a href="#"><u>HANDLEBAR SWITCHES</u></a>
71568-96A	<a href="#"><u>HANDLEBAR SWITCHES</u></a>
71591-96A	<a href="#"><u>HANDLEBAR SWITCHES</u></a>
71598-96A	<a href="#"><u>HANDLEBAR SWITCHES</u></a>
71621-08	<a href="#"><u>HANDLEBAR SWITCHES</u></a>
71682-06A	<a href="#"><u>HANDLEBAR SWITCHES</u></a>
71684-06A	<a href="#"><u>HANDLEBAR SWITCHES</u></a>
720	<a href="#"><u>CRANKCASE</u></a>
72023-51C	<a href="#"><u>REAR BRAKE CONTROL</u></a>
72023-51E	<a href="#"><u>REAR BRAKE CONTROL</u></a>
72044-71A	<a href="#"><u>INSTRUMENTS - FXD &amp; FXDS-CON</u></a>
72046-79	<a href="#"><u>WIRING HARNESS, MAIN</u></a>
72102-94BK	<a href="#"><u>WIRING HARNESS, MAIN</u></a>
72103-94BK	<a href="#"><u>CAM POSITION SENSOR &amp; VACUUM SWITCH</u></a>
72106-94BK	<a href="#"><u>WIRING HARNESS, MAIN</u></a>
72108-94BK	<a href="#"><u>WIRING HARNESS, MAIN</u></a>
72112-94BK	<a href="#"><u>CAM POSITION SENSOR &amp; VACUUM SWITCH</u></a>
72113-94BK	<a href="#"><u>INSTRUMENTS - FXD &amp; FXDS-CON INSTRUMENTS - FXDL INSTRUMENTS - FXDWG WIRING HARNESS, MAIN</u></a>
72116-94BK	<a href="#"><u>HANDLEBAR SWITCHES</u></a>

72118-94BK	<a href="#"><u>IGNITION MODULE &amp; COIL</u></a>
72136-94GY	<a href="#"><u>HANDLEBAR SWITCHES</u></a>
72138-94GY	<a href="#"><u>WIRING HARNESS, MAIN</u></a>
72142-94	<a href="#"><u>WIRING HARNESS, MAIN</u></a>
72143-94	<a href="#"><u>CAM POSITION SENSOR &amp; VACUUM SWITCH</u></a> <a href="#"><u>TRANSMISSION HOUSING &amp; OIL TANK</u></a>
72146-94	<a href="#"><u>WIRING HARNESS, MAIN</u></a>
72148-94	<a href="#"><u>WIRING HARNESS, MAIN</u></a>
72152-94	<a href="#"><u>CAM POSITION SENSOR &amp; VACUUM SWITCH</u></a>
72153-94	<a href="#"><u>INSTRUMENTS - FXD &amp; FXDS-CON</u></a> <a href="#"><u>INSTRUMENTS - FXDL</u></a> <a href="#"><u>INSTRUMENTS - FXDWG</u></a> <a href="#"><u>WIRING HARNESS, MAIN</u></a>
72156-94	<a href="#"><u>HANDLEBAR SWITCHES</u></a>
72158-94	<a href="#"><u>IGNITION MODULE &amp; COIL</u></a> <a href="#"><u>WIRING HARNESS, MAIN</u></a>
72163-94BK	<a href="#"><u>TRANSMISSION HOUSING &amp; OIL TANK</u></a>
72173-94	<a href="#"><u>INSTRUMENTS - FXD &amp; FXDS-CON</u></a> <a href="#"><u>INSTRUMENTS - FXDL</u></a>
72176-94	<a href="#"><u>HANDLEBAR SWITCHES</u></a>
72190-94	<a href="#"><u>CAM POSITION SENSOR &amp; VACUUM SWITCH</u></a> <a href="#"><u>TRANSMISSION HOUSING &amp; OIL TANK</u></a> <a href="#"><u>WIRING HARNESS, MAIN</u></a>
72191-94	<a href="#"><u>IGNITION MODULE &amp; COIL</u></a> <a href="#"><u>CAM POSITION SENSOR &amp; VACUUM SWITCH</u></a> <a href="#"><u>HANDLEBAR SWITCHES</u></a> <a href="#"><u>INSTRUMENTS - FXD &amp; FXDS-CON</u></a> <a href="#"><u>INSTRUMENTS - FXDL</u></a> <a href="#"><u>INSTRUMENTS - FXDWG</u></a> <a href="#"><u>WIRING HARNESS, MAIN</u></a>
72194-94	<a href="#"><u>TRANSMISSION HOUSING &amp; OIL TANK</u></a>
72195-94	<a href="#"><u>IGNITION MODULE &amp; COIL</u></a> <a href="#"><u>WIRING HARNESS, MAIN</u></a>
72199-94	<a href="#"><u>CAM POSITION SENSOR &amp; VACUUM SWITCH</u></a> <a href="#"><u>TRANSMISSION HOUSING &amp; OIL TANK</u></a>
7220	<a href="#"><u>FRONT BRAKE CONTROL</u></a> <a href="#"><u>HANDLEBAR</u></a>
72205-94	<a href="#"><u>WIRING HARNESS, MAIN</u></a>
72206-94	<a href="#"><u>INSTRUMENTS - FXDWG</u></a> <a href="#"><u>SWITCHES &amp; CIRCUIT BREAKERS</u></a>

72207-94	<a href="#">INSTRUMENTS - FXDWG SWITCHES &amp; CIRCUIT BREAKERS</a>
72208-94	<a href="#">WIRING HARNESS, MAIN</a>
72210-94	<a href="#">WIRING HARNESS, MAIN</a>
72216-94	<a href="#">WIRING HARNESS, MAIN</a>
72217-94	<a href="#">WIRING HARNESS, MAIN</a>
72218-94	<a href="#">WIRING HARNESS, MAIN</a>
72241-94A	<a href="#">INSTRUMENTS - FXD &amp; FXDS-CON</a> <a href="#">INSTRUMENTS - FXDL</a> <a href="#">INSTRUMENTS - FXDWG</a> <a href="#">WIRING HARNESS, MAIN</a>
72242-94	<a href="#">ALTERNATOR &amp; REGULATOR</a>
72249-94	<a href="#">ALTERNATOR &amp; REGULATOR</a>
72266-94	<a href="#">HANDLEBAR SWITCHES</a> <a href="#">WIRING HARNESS, MAIN</a>
72290-94	<a href="#">WIRING HARNESS, MAIN</a>
72291-94	<a href="#">WIRING HARNESS, MAIN</a>
72295-94	<a href="#">WIRING HARNESS, MAIN</a>
7229W	<a href="#">REAR BRAKE CONTROL</a>
72342-90A	<a href="#">SWITCHES &amp; CIRCUIT BREAKERS</a>
72365-96	<a href="#">WIRING HARNESS, MAIN</a>
72366-95	<a href="#">WIRING HARNESS, MAIN</a>
72405-98BK	<a href="#">WIRING HARNESS, MAIN</a>
72405-98TN	<a href="#">WIRING HARNESS, MAIN</a>
72912-01BK	<a href="#">FUEL TANK INSTRUMENTS - FXD &amp; FXDS-CON</a>
72991-01	<a href="#">FUEL TANK INSTRUMENTS - FXD &amp; FXDS-CON</a>
73102-96BK	<a href="#">WIRING HARNESS, MAIN</a>
73103-96BK	<a href="#">WIRING HARNESS, MAIN</a>
73104-96BK	<a href="#">WIRING HARNESS, MAIN</a>
73106-96BK	<a href="#">WIRING HARNESS, MAIN</a>
73108-96BK	<a href="#">WIRING HARNESS, MAIN</a>
73110-96BK	<a href="#">INSTRUMENTS - FXDL</a>
73114-96BK	<a href="#">WIRING HARNESS, MAIN</a>

73152-96BK	<a href="#">INSTRUMENTS - FXDL</a> <a href="#">INSTRUMENTS - FXDWG</a> <a href="#">FUEL TANK INSTRUMENTS - FXD &amp; FXDS-CON</a>
73153-96BK	<a href="#">AIR CLEANER &amp; ENRICHENER</a>
73154-96BK	<a href="#">HEADLAMP</a>
73156-96BK	<a href="#">FRONT TURN SIGNALS</a>
73158-96BK	<a href="#">TAIL LAMP &amp; REAR TURN SIGNALS</a>
73160-96BK	<a href="#">INSTRUMENTS - FXDL</a>
73164-96BK	<a href="#">INSTRUMENTS - FXD &amp; FXDS-CON</a> <a href="#">INSTRUMENTS - FXDL</a> <a href="#">INSTRUMENTS - FXDWG</a>
73190-96	<a href="#">INSTRUMENTS - FXDL</a> <a href="#">WIRING HARNESS, MAIN</a>
73191-96	<a href="#">AIR CLEANER &amp; ENRICHENER</a> <a href="#">HEADLAMP</a> <a href="#">FRONT TURN SIGNALS</a> <a href="#">TAIL LAMP &amp; REAR TURN SIGNALS</a> <a href="#">INSTRUMENTS - FXD &amp; FXDS-CON</a> <a href="#">INSTRUMENTS - FXDL</a> <a href="#">INSTRUMENTS - FXDWG</a> <a href="#">FUEL TANK INSTRUMENTS - FXD &amp; FXDS-CON</a>
73198-96	<a href="#">WIRING HARNESS, MAIN</a>
739A	<a href="#">PRIMARY HOUSING</a>
740	<a href="#">FRAME &amp; JIFFY STAND</a>
74420-94	<a href="#">TRANSMISSION HOUSING &amp; OIL TANK</a>
74420-94C	<a href="#">TRANSMISSION HOUSING &amp; OIL TANK</a>
74519-88A	<a href="#">ALTERNATOR &amp; REGULATOR</a>
74587-94	<a href="#">WIRING HARNESS, MAIN</a> <a href="#">SWITCHES &amp; CIRCUIT BREAKERS</a>
74599-77B	<a href="#">WIRING HARNESS, MAIN</a> <a href="#">SWITCHES &amp; CIRCUIT BREAKERS</a>
7481	<a href="#">HORN</a>
7487	<a href="#">SEATS &amp; SISSY BAR</a>
7495	<a href="#">HORN</a>
7501	<a href="#">TAIL LAMP &amp; REAR TURN SIGNALS</a>
75049-88C	<a href="#">INSTRUMENTS - FXDL</a> <a href="#">INSTRUMENTS - FXDWG</a>
75062-90A	<a href="#">INSTRUMENTS - FXDL</a> <a href="#">INSTRUMENTS - FXDWG</a>



75066-01	<a href="#">FUEL TANK INSTRUMENTS - FXD &amp; FXDS-CON</a>
75066-96A	<a href="#">FUEL TANK INSTRUMENTS - FXD &amp; FXDS-CON</a>
75066-96B	<a href="#">FUEL TANK INSTRUMENTS - FXD &amp; FXDS-CON</a>
75067-01	<a href="#">FUEL TANK INSTRUMENTS - FXD &amp; FXDS-CON</a>
75067-94A	<a href="#">FUEL TANK INSTRUMENTS - FXD &amp; FXDS-CON</a>
7507	<a href="#">GEAR SHIFTER (1 OF 2)</a> <a href="#">FRONT &amp; REAR FENDER &amp; REAR FENDER COVERS</a> <a href="#">FUEL TANKS</a>
75078-01	<a href="#">FUEL TANK INSTRUMENTS - FXD &amp; FXDS-CON</a>
75078-97	<a href="#">FUEL TANK INSTRUMENTS - FXD &amp; FXDS-CON</a>
75120-96A	<a href="#">INSTRUMENTS - FXDL</a> <a href="#">INSTRUMENTS - FXDWG</a>
7515	<a href="#">GEAR SHIFTER (1 OF 2)</a>
7531	<a href="#">BELTS, CHAINS, SPROCKETS &amp; REAR BELT GUARD</a> <a href="#">FRONT &amp; REAR FENDER &amp; REAR FENDER COVERS</a> <a href="#">EXHAUST SYSTEM</a>
7549A	<a href="#">INSTRUMENTS - FXDWG</a>
7554	<a href="#">SHOCK ABSORBERS - HYDRAULIC</a> <a href="#">SHOCK ABSORBERS - HYDRAULIC</a>
7593	<a href="#">CRANKCASE</a> <a href="#">EXHAUST SYSTEM</a>
7601	<a href="#">CYLINDERS, VALVES &amp; HEADS - V2™ EVOLUTION</a> <a href="#">AIR CLEANER &amp; ENRICHENER</a> <a href="#">FRAME &amp; JIFFY STAND</a>
7606	<a href="#">HEADLAMP</a>
761	<a href="#">FRONT &amp; REAR FENDER &amp; REAR FENDER COVERS</a>
7626W	<a href="#">IGNITION MODULE &amp; COIL</a>
7629	<a href="#">CRANKCASE - GEAR SIDE</a> <a href="#">IGNITION MODULE &amp; COIL</a> <a href="#">WIRING HARNESS, MAIN</a> <a href="#">SWITCHES &amp; CIRCUIT BREAKERS</a>
7634	<a href="#">INSTRUMENTS - FXD &amp; FXDS-CON</a> <a href="#">INSTRUMENTS - FXDL</a> <a href="#">INSTRUMENTS - FXDWG</a>
7667	<a href="#">FRONT &amp; REAR FENDER &amp; REAR FENDER COVERS</a> <a href="#">SADDLEBAGS - FXDS-CON</a>
7716	<a href="#">SWITCHES &amp; CIRCUIT BREAKERS</a>
7734W	<a href="#">REAR FORK</a>

7736	<a href="#"><u>GEAR SHIFTER (1 OF 2)</u></a> <a href="#"><u>MIRRORS</u></a>
7742	<a href="#"><u>REAR BRAKE CONTROL</u></a>
7744	<a href="#"><u>REAR BRAKE CONTROL</u></a> <a href="#"><u>FRONT TURN SIGNALS</u></a>
7778	<a href="#"><u>BELTS, CHAINS, SPROCKETS &amp; REAR BELT GUARD</u></a> <a href="#"><u>REAR WHEEL</u></a> <a href="#"><u>FOOTRESTS</u></a> <a href="#"><u>FOOTRESTS</u></a>
7783	<a href="#"><u>FRONT FORK - FXD, FXDL &amp; FXDS-CON (1 OF 2)</u></a>
7792	<a href="#"><u>SEATS &amp; SISSY BAR</u></a> <a href="#"><u>LICENSE PLATE BRACKETS</u></a> <a href="#"><u>LICENSE PLATE BRACKETS</u></a>
7796	<a href="#"><u>FRAME &amp; JIFFY STAND</u></a> <a href="#"><u>SWITCHES &amp; CIRCUIT BREAKERS</u></a>
7800W	<a href="#"><u>HEADLAMP</u></a>
7824	<a href="#"><u>SHOCK ABSORBERS - HYDRAULIC</u></a>
7838	<a href="#"><u>STARTER MOTOR</u></a>
7845	<a href="#"><u>SHOCK ABSORBERS - HYDRAULIC</u></a>
7848W	<a href="#"><u>CLUTCH</u></a> <a href="#"><u>FOOTRESTS</u></a>
7855W	<a href="#"><u>REAR BRAKE CONTROL</u></a>
7862	<a href="#"><u>REAR BRAKE CONTROL</u></a> <a href="#"><u>EXHAUST SYSTEM</u></a>
7869	<a href="#"><u>LICENSE PLATE BRACKETS</u></a>
7880	<a href="#"><u>FOOTRESTS</u></a> <a href="#"><u>HEADLAMP</u></a>
7883	<a href="#"><u>CRANKCASE</u></a>
7889	<a href="#"><u>INSTRUMENTS - FXDL</u></a>
7891	<a href="#"><u>SEATS &amp; SISSY BAR</u></a>
7916A	<a href="#"><u>CRANKCASE - GEAR SIDE</u></a>
7956	<a href="#"><u>FRONT WHEEL</u></a>
7962	<a href="#"><u>FRONT FORK - FXDWG</u></a>
7987	<a href="#"><u>REAR WHEEL</u></a>
8102	<a href="#"><u>FRONT &amp; REAR FENDER &amp; REAR FENDER COVERS</u></a> <a href="#"><u>INSTRUMENTS - FXDWG</u></a>
8108	<a href="#"><u>HORN</u></a>

8126A	<a href="#"><u>SADDLEBAGS - FXDS-CON</u></a>
83162-51	<a href="#"><u>CRANKCASE - GEAR SIDE</u></a>
8483A	<a href="#"><u>SWITCHES &amp; CIRCUIT BREAKERS</u></a>
8535	<a href="#"><u>AIR CLEANER &amp; ENRICHENER</u></a>
8540	<a href="#"><u>SADDLEBAGS - FXDS-CON</u></a>
855B	<a href="#"><u>CYLINDERS, VALVES &amp; HEADS - V2™ EVOLUTION</u></a> <a href="#"><u>FRONT BRAKE CALIPER</u></a> <a href="#"><u>FRONT BRAKE CALIPER</u></a>
856A	<a href="#"><u>GEAR SHIFTER (1 OF 2)</u></a>
858A	<a href="#"><u>PRIMARY HOUSING</u></a>
861A	<a href="#"><u>FOOTRESTS</u></a>
864A	<a href="#"><u>AIR CLEANER &amp; ENRICHENER</u></a>
8699	<a href="#"><u>CAM POSITION SENSOR &amp; VACUUM SWITCH</u></a>
882	<a href="#"><u>ROCKER ARMS, COVERS &amp; PUSHRODS - V2™ EVOLUTION</u></a>
8871	<a href="#"><u>STARTER MOTOR</u></a>
8873	<a href="#"><u>OIL PUMP</u></a> <a href="#"><u>TRANSMISSION BEARINGS &amp; SIDE COVERS</u></a>
8876A	<a href="#"><u>TRANSMISSION GEARS</u></a>
8879	<a href="#"><u>STARTER MOTOR</u></a>
8883	<a href="#"><u>STARTER MOTOR</u></a>
891	<a href="#"><u>OIL PUMP</u></a>
8977	<a href="#"><u>TRANSMISSION BEARINGS &amp; SIDE COVERS</u></a>
8996A	<a href="#"><u>TRANSMISSION BEARINGS &amp; SIDE COVERS</u></a>
8998	<a href="#"><u>TRANSMISSION BEARINGS &amp; SIDE COVERS</u></a>
9028	<a href="#"><u>CRANKCASE</u></a>
90365-96	<a href="#"><u>FRONT &amp; REAR FENDER &amp; REAR FENDER COVERS</u></a> <a href="#"><u>SADDLEBAGS - FXDS-CON</u></a>
9052	<a href="#"><u>FRONT WHEEL</u></a> <a href="#"><u>REAR WHEEL</u></a>
9058	<a href="#"><u>CRANKCASE - GEAR SIDE</u></a>
9077	<a href="#"><u>STARTER MOTOR</u></a>
90770-79	<a href="#"><u>CLUTCH CONTROL</u></a>
90823-94	<a href="#"><u>SADDLEBAGS - FXDS-CON</u></a>

90977-97	<a href="#"><u>BATTERY TRAY &amp; BATTERY</u></a>
9110	<a href="#"><u>CRANKCASE</u></a>
9114	<a href="#"><u>GEAR SHIFTER (1 OF 2)</u></a>
9115	<a href="#"><u>GEAR SHIFTER (1 OF 2)</u></a>
91184-96A	<a href="#"><u>SADDLEBAGS - FXDS-CON</u></a>
91185-96A	<a href="#"><u>SADDLEBAGS - FXDS-CON</u></a>
9120	<a href="#"><u>CRANKCASE</u></a>
9121	<a href="#"><u>CRANKCASE</u></a>
9122	<a href="#"><u>CRANKCASE</u></a>
9123	<a href="#"><u>CRANKCASE</u></a>
9124	<a href="#"><u>CRANKCASE</u></a>
9125	<a href="#"><u>CRANKCASE</u></a>
9126	<a href="#"><u>CRANKCASE</u></a>
9127	<a href="#"><u>CRANKCASE</u></a>
9128	<a href="#"><u>CRANKCASE</u></a>
9129	<a href="#"><u>CRANKCASE</u></a>
9130	<a href="#"><u>CRANKCASE</u></a>
9131	<a href="#"><u>CRANKCASE</u></a>
9132	<a href="#"><u>CRANKCASE</u></a>
9133	<a href="#"><u>CRANKCASE</u></a>
9134	<a href="#"><u>CRANKCASE</u></a>
9135	<a href="#"><u>PRIMARY HOUSING</u></a>
91849-85C	<a href="#"><u>WINDSHIELD - FXDS-CON</u></a>
91875-88A	<a href="#"><u>MIRRORS</u></a>
91892-88A	<a href="#"><u>MIRRORS</u></a>
919	<a href="#"><u>SEATS &amp; SISSY BAR</u></a>
91929-97	<a href="#"><u>WINDSHIELD - FXDS-CON</u></a>
92061-95	<a href="#"><u>INSTRUMENTS - FXDL</u></a>
925	<a href="#"><u>STARTER MOTOR</u></a>
928	<a href="#"><u>STARTER MOTOR</u></a>
929A	<a href="#"><u>STARTER MOTOR</u></a>

941	<a href="#"><u>PRIMARY HOUSING</u></a>
942	<a href="#"><u>OIL PUMP</u></a>
945	<a href="#"><u>PRIMARY HOUSING</u></a>
946	<a href="#"><u>AIR CLEANER &amp; ENRICHENER</u></a>
95578-41	<a href="#"><u>FRONT WHEEL</u></a> <a href="#"><u>REAR WHEEL</u></a>
95581-47	<a href="#"><u>FRONT WHEEL</u></a> <a href="#"><u>REAR WHEEL</u></a>
95582-47	<a href="#"><u>FRONT WHEEL</u></a> <a href="#"><u>REAR WHEEL</u></a>
95594-84A	<a href="#"><u>FRONT WHEEL</u></a> <a href="#"><u>REAR WHEEL</u></a>
95595-84A	<a href="#"><u>FRONT WHEEL</u></a> <a href="#"><u>REAR WHEEL</u></a>
9840	<a href="#"><u>ALTERNATOR &amp; REGULATOR</u></a> <a href="#"><u>WIRING HARNESS, MAIN</u></a>
9842	<a href="#"><u>WIRING HARNESS, MAIN</u></a>
9843	<a href="#"><u>WIRING HARNESS, MAIN</u></a>
9856	<a href="#"><u>INSTRUMENTS - FXDL</u></a> <a href="#"><u>INSTRUMENTS - FXDWG</u></a>
9857	<a href="#"><u>HANDLEBAR</u></a>
9866	<a href="#"><u>ALTERNATOR &amp; REGULATOR</u></a>
9898	<a href="#"><u>REAR BRAKE CONTROL</u></a> <a href="#"><u>INSTRUMENTS - FXDWG</u></a> <a href="#"><u>WIRING HARNESS, MAIN</u></a>
99000-77	<a href="#"><u>SEATS &amp; SISSY BAR</u></a>
99013-82	<a href="#"><u>SEATS &amp; SISSY BAR</u></a>
9907	<a href="#"><u>REAR BRAKE CONTROL</u></a>
9937	<a href="#"><u>WIRING HARNESS, MAIN</u></a>
9951	<a href="#"><u>CAM POSITION SENSOR &amp; VACUUM SWITCH</u></a>
9955	<a href="#"><u>EXHAUST SYSTEM</u></a>
9989A	<a href="#"><u>SWITCHES &amp; CIRCUIT BREAKERS</u></a>

## Component Types and Introduction Dates

[View interactive table](#)

7956	Unknown
7736	1949
7845	Unknown
68608-83	1983
7554	Unknown
58423-88	1988
7838	Unknown
7629	1990
7792	2012
7515	Unknown
7796	Unknown
8126A	2017
7778	Unknown
7862	Unknown
7634	1937
7916A	Unknown
7501	2010
7824	Unknown
3403	Unknown
37503-41	1941
7734W	Unknown
11192	2000
35078-79	1979
7987	Unknown
7889	Unknown
7495	1994
7891	Unknown
7883	Unknown
7880	Unknown
7626W	Unknown
7481	Unknown
8108	Unknown

40392-91	1991
7744	1943
7593	1991
7742	Unknown
31589-80	1980
7549A	Unknown
7601	1990
102A1 - Generic Screws	
3958	1993
3730A	Unknown
1795A	Unknown
3579A	Unknown
3991	2009
882	2000
3987	Unknown
4460	2020
33119-79B	1979
42375-87	1987
1005A	1993
3849	Unknown
2579A	Unknown
7869	Unknown
4741A	1994
3655A	Unknown
1000	Unknown
4718A	1994
2955	1996
3485A	Unknown
4742A	Unknown
4098	1998
5414	Unknown
43567-92	1992

2339	1999
2932A	Unknown
3514	Unknown
2698A	Unknown
941	Unknown
3256	Unknown
942	1992
4047	Unknown
4091	Unknown
891	2013
2980	Unknown
3275	2002
3613	2009
1311D	2001
4326A	1990
864A	Unknown
2325	Unknown
2773	Unknown
4134	1994
3530	Unknown
68452-86	1986
4132	Unknown
4740A	1994
3658	Unknown
45405-75A	1975
45990-88	1988
3058	Unknown
3528	Unknown
4240	Unknown
2871W	2017
3504A	2006
2952A	2003



3601	Unknown
45546-90	1990
4822A	1994
4729	Unknown
4724	2009
90770-79	1979
4083W	2009
4722	2009
4721	2009
3577	1996
2711	Unknown
45996-87	1987
3594	1992
5445W	Unknown
45838-77	1977
2519	Unknown
928	Unknown
2708A	Unknown
925	Unknown
861A	Unknown
4816A	Unknown
3993	Unknown
2607	Unknown
919	Unknown
4029A	1990
3795	Unknown
2720	2012
2273A	Unknown
45858-77	1977
3588	1990
4017	2009
3562	Unknown

4383	Unknown
3221	Unknown
929A	Unknown
2614	2000
29283-93	1993
2501A	Unknown
45991-92	2011
3509	Unknown
2737	1986
4713W	2009
4351	Unknown
3210A	Unknown
3233	Unknown
4820A	Unknown
2611C	Unknown
3554	Unknown
3398	1995
3559	Unknown
4352	Unknown
3427	2009
56402-83A	1983
3689	1975
27317-88	1988
2361	Unknown
4059	Unknown
27146-89	1989
4358A	Unknown
3480A	Unknown
1601	1999
4717A	Unknown
1602	Unknown
4086A	Unknown

3574	Unknown
945	Unknown
3214	Unknown
946	Unknown
4364	1993
855B	2014
4363	2013
3784	Unknown
3501A	Unknown
4716W	2009
16478-85A	1985
856A	1990
1783C	Unknown
3445	Unknown
56397-74C	1974
2823	Unknown
3500A	Unknown
3770	Unknown
4813A	1990
3487	Unknown
2152A	1997
5403B	Unknown
4329	Unknown
3891	2003
3893	Unknown
4453	1986
3892	Unknown
45790-80	1980
5444	Unknown
4342	Unknown
3473	Unknown
858A	Unknown

16480-92A	1992
4814A	Unknown
3471	2009
3537	Unknown
103A1 - Generic Washers	
25323-82	1982
6019	Unknown
6718	Unknown
7229W	Unknown
33212-80	1980
6016	2013
6012	Unknown
56159-73	1973
7130W	Unknown
27125-89	1989
6497HW	2010
6771A	Unknown
43650-82	1982
25550-57A	1957
27148-89	1989
25325-82	1982
6366	1987
6379W	Unknown
6116	Unknown
6113	Unknown
6330	Unknown
45717-63	1963
6099	2011
27127-89	1989
25320-82	1982
6109	1980
6101	2011

67815-59A	1959
31689-90	1990
6590HW	Unknown
6253W	Unknown
6516HW	Unknown
6036	Unknown
25327-82	1982
7220	Unknown
25326-82	1982
27137-81	1981
7068	Unknown
7038	1998
7039	Unknown
6410	Unknown
25322-82	1982
25321-82	1982
25328-82	1982
6762B	Unknown
6736	Unknown
6737	Unknown
7042	Unknown
47565-90	2006
6655	1979
7041	1958
6703	1970
6701	Unknown
6702	Unknown
42531-87	1987
7045	Unknown
6400HB	Unknown
65827-90	1990

104A1 - Custom Nuts

23981-98	1998
54321-85	1985
7606	1983
105A1 - Custom Screws	
27158-89	1989
27130-90	1990
37090-98A	1998
27262-96	1996
106A1 - Custom Washers	
6003	2010
6506	Unknown
108A1 - Hose Clamps	
10053	2010
10031	2010
10014	Unknown
9955	Unknown
10080	Unknown
10119	Unknown
10074	Unknown
9951	1991
45044-96A	1996
108B1 - P Clamps	
38717-91	1991
510	Unknown
10112	1999
109A1 - Studs	
16715-83	1983
10184	Unknown
16708-95A	1995
45998-73	1973
16837-85C	1985
16709-95	1995

3506	Unknown
54557-90A	1990
110A1 - Bearing Dust Seals	
24628-87A	1987
24626-87A	1987
110B1 - Plain Bushings	
31430-94	1994
33211-80	1980
42524-82A	1982
8996A	1996
17429-91	1991
33446-94A	1994
54556-84	1984
33207-80	1980
53156-86	1986
8998	1996
46020-84	1984
24600-58B	1958
25582-93	1993
33205-80	1980
45465-87	1987
24601-58B	1958
8876A	Unknown
33445-94A	1994
67266-94	1994
33708-94	1994
45934-86	1986
33209-80	1980
67367-96	1996
45866-84	1984
33208-80	1980
8883	Unknown

33206-80	1980
67055-92	1992
8879	Unknown
9058	1957
44035-86A	1986
47082-81	1981
25581-70	1970
33210-80	1980
24641-36	1936
110C1 - Radial Shaft Seals	
83162-51	1951
26227-58	1958
12066A	Unknown
12045	Unknown
12035B	Unknown
12026B	Unknown
12052A	2003
67104-95	1995
12067B	2002
110D1 - Rolling Element Bearings	
9115	Unknown
9114	Unknown
24643-87A	1987
8977	Unknown
9135	Unknown
24346-87A	1987
24641-87A	1987
8871	Unknown
9052	Unknown
9028	2009
111A1 - Adhesive	
72194-94	1994



9907	Unknown
111B1 - Tape	
14273-96	1996
111F1 - Protective Tape	
58446-96	1996
58448-96	1996
58447-96	1996
116A1 - Banjo Bolts	
41739-84A	1984
41747-82A	1982
117A1 - Coil Springs	
56396-74A	1974
54473-79	1979
27123-89A	1989
27162-89	1989
119A1 - O-Rings	
11165	Unknown
11241	Unknown
62673-90	1990
11117A	Unknown
26432-76A	1976
11105	Unknown
11145A	2007
11116	1981
11157	1983
27577-92	1992
11140	1982
11147B	2006
45845-77	1977
11139	1979
11132A	2007
11290	1998

11292	Unknown
44059-83	1983
45984-87	1987
31695-90	1990
62672-90	1990
11179	1986
27157-89	1989
120A1 - Pins	
601	Unknown
609	Unknown
239	2009
634	Unknown
631	1991
16573-83A	1983
534	Unknown
42460-80B	1980
50003-89B	1989
337	Unknown
515	Unknown
366	1982
375	2013
51938-04	2004
358	Unknown
275	1992
121A1 - Grommets	
11458	1991
11460	1992
121B1 - Press-Fit Plugs	
67865-89	1989
11457	Unknown
26263-80	1980
739A	Unknown

653	Unknown
740	Unknown
761	1996
121C1 - Threaded Plugs	
24925-95	1995
720	2013
122A1 - Retaining Rings	
10998	1985
8102	Unknown
11271	Unknown
11272	Unknown
17945-36B	1936
11016	Unknown
26348-36	1936
45021-86	1986
44021-83	1983
11002	Unknown
65325-83A	1983
45611-86	1986
10183	1996
27368-76	1976
11150	1984
10108	Unknown
11155	Unknown
31530-90	1990
31693-90	1990
9989A	Unknown
11143	Unknown
11177A	1996
11096	2010
11067	Unknown
11182	Unknown

11160A	1990
11083	Unknown
27124-89	1989
60678-85	1985
35021-89	1989
11248	Unknown
11161	1984
123A1 - Sealing Washers	
34625-90	1990
26262-80	1980
123B1 - Spring Washers	
7009	1991
7127	Unknown
7069	Unknown
7003	Unknown
124A1 - Spacers	
43290-82	1982
29961-85	1985
5978W	Unknown
24002-70	1970
33344-94	1994
43294-82	1982
6058	1991
5756	Unknown
33114-79	1979
43293-82	1982
5883	Unknown
45377-87	1987
35629-79	1979
35853-96	1996
5710	Unknown
5714	Unknown

47496-90	1990
47499-90	1990
125A1 - Tie Straps	
10065	1985
70191-73A	1975
10039	1981
10181	1996
10006	1960
10073	1985
126A1 - Miscellaneous Hardware	
31692-90	1990
44126-87	1987
11005	Unknown
27136-90A	1990
59150-90	1990
61095-92	1992
33126-94	1994
11219	Unknown
11218	Unknown
63530-92	1992
33318-85	1985
58422-88	1988
56239-93	1993
11739B	Unknown
33449-94	1994
56394-74	1974
8873	1984
90365-96	1996
60647-94	1994
44061-83	1983
54474-79	1979
126B1 - Rivets Fasteners	

8535	Unknown
8699	1980
8540	1994
8483A	Unknown
127B1 - Generic Mounting Bracket	
33518-92	1992
51652-97A	1997
140A1 - Battery Warning Label	
66060-96	1996
140A2 - General Warning Label	
29126-90B	1990
44197-77	1977
140A3 - Other Special Warning Label	
14117-96A	1996
141A1 - Medallion	
14263-91	1991
67807-92	1992
14522-96	1996
14293-94	1994
14268-92	1992
14270-92	1992
62065-98	1998
14227-88	1988
14289-94	1994
14523-96	1996
14525-96	1996
62066-98	1998
71302-93A	1993
14524-96	1996
162D1 - Engine Assembly	
16175-98	1998

16166-98	1998
16174-98	1998
16167-98	1998
16178-98	1998
16165-98	1998
163B1 - Engine Isolator Mount	
47564-90B	1990
47583-90B	1990
164A1 - Engine Mount Bracket	
38608-96	1996
164B1 - Engine Mount Bracket sub-component	
7962	Unknown
7716	1990
7783	Unknown
7531	1980
16242-90	1990
7667	Unknown
7507	Unknown
7848W	Unknown
7855W	Unknown
7800W	Unknown
16241-90	1990
164C1 - Tiebar	
16258-95C	1995
165A1 - Cylinder Head	
16692-95	1995
18011-86	1986
16691-92B	1992
16696-92A	1992
16690-92B	1992
165B1 - Cylinder Head and Base Gaskets	
16774-86D	1986

16770-84F	1984
16778-84A	1984
16779-84B	1984
168A1 - Cylinder	
16510-83A	1983
179A1 - Lifters	
18523-86B	1986
18542-83C	1986
179B1 - Push Rod	
17921-83A	1983
17930-83A	1983
17924-83A	1983
17927-83A	1983
180A1 - Valves	
18076-83	1983
18101-83D	1999
18074-83B	2007
18082-83A	1983
18087-83	1983
181B1 - Valve Seals	
18133-83B	1983
18130-83D	1983
18219-83A	1983
18020-83	1983
18131-83D	1983
18001-83B	1983
181C1 - Valve Collars	
18202-83	1983
18201-83	1983
18222-83A	1983
18229-83A	1984
17947-36	1936



17950-66	1966
184A1 - PT Camdrive and Valvetrain Miscellaneous Component	
17355-92A	2010
17356-92A	2010
17358-84B	2010
219A1 - Piston	
16512-86A	1986
21942-83	1983
21944-83	1983
21940-83	1983
21941-83	1983
21943-83	1983
220A1 - Piston Ring	
21921-83	1983
21923-83	1983
21924-83	1983
21920-83	1983
21922-83	1983
221A1 - Piston Pin	
22589-83B	1983
22764-83	1983
237A1 - Connecting Rod	
24281-83	1983
237B1 - Connecting Rod sub-component	
24356-36A	1936
24335-36	1936
24334-36	1936
239A1 - PT Lower End Miscellaneous Component	
23928-87	1987
24982-70	1970
24345-36A	1936
48365-48A	1981

241A1 - Flywheel	
23906-93B	1999
23961-80A	1981
244A1 - Crankcase	
24572-93A	1997
24571-93	1993
244D1 - Crankcase sub-component	
24046-93	1993
24043-93	1993
24044-93	1993
24045-93	1993
24042-93	1993
24040-93	1993
24041-93	1993
24599-93	1993
244E1 - Transmission Access Door	
23974-87	1987
23975-87	1987
244F1 - Oil Pan	
26074-90	1990
26057-97	1997
254B1 - Camshaft	
24586-93	1993
254C1 - Camshaft Sprocket	
40299-83A	1983
254D1 - Camshaft Support	
34085-79A	1979
255C1 - Camdrive Chain Tensioner	
39990-65	1965
39976-65B	1965
255D1 - Camdrive Chain Tensioner sub-component	
39993-65	1965

256A1 - Timer Cover	
32524-83	1983
257A1 - Cam Cover	
25254-93B	1996
25256-93A	1993
257B1 - Clutch Cover	
60668-84B	1984
25414-70B	1970
257D1 - Clutch Inspection Cover	
60529-90A	1990
60572-86	1986
257E1 - Cover Gaskets	
26072-90A	1990
29252-89	1989
67121-95A	1995
65324-83B	2009
31433-84A	1984
62423-90A	1990
61344-01	2001
16800-84A	1984
61109-85D	1985
34917-90B	1990
17041-92A	1992
41733-88	1988
29313-95	1995
35652-79B	1979
63859-95B	1995
45005-96	1996
29062-95B	1995
45005-85	1985
45733-48	1948
60567-90C	1990

18633-48D	1948
25416-70A	1970
45378-87	1987
61324-88A	1988
60539-94B	1994
36801-87C	1987
63858-49	1949
41731-88A	1988
25225-93B	1993
61344-94	1994
17042-92A	1992
47519-83A	1983
61192-96A	1996
18634-48C	1948
17040-92A	1992
257L1 - Primary Cover	
60692-94A	1995
60691-94A	1995
60543-95	1995
60562-95A	1995
257M1 - Push Rod Cover	
17935-79B	1979
17938-83	1983
257N1 - Rocker-Arm / Valve Cover	
17529-92	1992
17375-83A	1983
17611-83	1983
17521-92A	1993
17360-83A	1983
17530-92	1992
17503-92A	1993
17528-92	1992

17510-92A	1993
257P1 - Tappet Cover	
18622-85B	1985
18623-85B	1985
18540-83C	1986
258A1 - PT Covers Miscellaneous Component	
34478-98	1981
34469-98	1998
270A1 - Carburetor	
27361-76A	1976
27239-95	1995
27339-90	1990
27360-76	1976
27362-76	1976
27147-89	1989
27159-92	1992
27583-88	1988
27171-89	1989
27156-89	1989
27261-96	1996
27253-96	1996
27369-76	1976
27088-95	1995
29059-88A	1988
27115-88	1988
63534-90	1990
27371-76A	1976
27582-88	1988
27587-88	1988
27311-76	1976
27101-88	1988
47207-96A	1997

27122-89	1989
27254-96	1996
27504-96	1996
27585-88	1988
27586-88	1988
27575-88A	1988
27492-96B	1996
27100-88	1988
27128-89	1989
27126-89	1989
27160-89	1989
27114-88	1988
27090-89	1989
27315-88A	1988
27263-96	1996
27576-92	1992
271D1 - Intercooler Hose	
63535-90	1990
273A1 - Intake Manifold	
27019-89A	1989
273K1 - Throttle Body to Manifold Seal	
26995-86B	1986
273N1 - Throttle Cable Retention Bracket	
56508-76	1976
275A1 - PT Upper End Miscellaneous Component	
37313-80	1980
290A1 - Airbox Baseplate	
29134-92	1992
29087-96	1996
29319-95A	1995
290C1 - Airbox Baseplate sub-component	
29307-94	2006

29150-93	1993
29192-95	2009
28823-89	1989
29142-91	1991
294A1 - Air Filter Element	
29330-96	1996
29325-95A	1996
294B1 - Breather Bolt	
25310-82A	1982
294G1 - Air Cleaner	
27010-86A	1986
27009-86A	1986
295A1 - Intake Miscellaneous Component	
29323-95	1995
27579-88A	1988
27002-89	1989
27886-78A	1978
28842-89	1989
29229-88D	1988
299C1 - Charging Rotor	
29957-81B	1981
32402-83	1983
299F1 - Stator Assembly	
29970-88D	2007
314E1 - Starter Friction Clutch	
31516-94A	2010
31663-90	1990
9077	Unknown
314F1 - Starter Motor	
31514-90	1990
31518-90	1990
31510-90	1990

31515-90	1990
31553-94B	1994
31612-09	2009
314G1 - Starter Motor sub-component	
31660-90	1990
31535-91	1991
31538-98	1965
27581-88	1988
31548-90	1990
31527-90	1990
31664-94	1994
31600-90	1990
31688-90	1990
314H1 - Starter Solenoid	
31604-91A	1991
28827-96A	1996
314L1 - Starter Motor Drive	
33189-63	1963
316A1 - Ignition Coil	
31614-83A	1983
316B1 - Spark Plug Cable	
31983-71C	1971
31981-94A	1994
67075-57A	1957
316C1 - Spark Plug	
32311-83	1983
327D1 - Proximity Sensor	
74420-94	1994
32404-96A	2010
74420-94C	1994
336C1 - Shift Linkage Rod End	
33728-90B	1990



336F1 - Toepeg	
34611-65A	1965
339A1 - Shift Lever	
33715-85A	1985
34564-90B	1990
339D1 - Shifter Fork	
34195-79E	1979
34088-87A	1987
34193-79E	1979
34191-79E	1979
339E1 - Shifter Fork Shaft	
34084-86A	1986
339F1 - Shifter Index Lever	
34086-79	1979
34632-84B	1984
339H1 - Shifter Mechanism Components (internal)	
34621-90	1990
34083-79	1979
34082-79	1979
34091-85A	1985
33332-79	1979
33320-98	1998
33326-79A	1980
33660-90B	1990
34087-79A	1979
33127-94	1994
34089-79	1979
339K2 - Gearshift Shaft Pawl Plate	
34561-84	1984
347A1 - Transmission Assembly	
34747-95	1995
34746-95A	1977

35076-79	1979
37081-99	1999
37105-87A	1987
35064-79	1979
33062-98	1998
33038-98	1998
350A1 - Transmission Output Sprocket	
40250-94C	1994
350E1 - Transmission Gear	
31525-90	1990
31342-94	1994
350F1 - Transmission Mainshaft	
35029-94	1994
35027-94	1994
35025-79B	1981
35028-94	1994
35042-91	1991
350G1 - Transmission Shim / Spacer	
9110	2013
9123	2013
9122	2013
9125	2013
9124	2013
9127	2013
9126	2013
9129	Unknown
9128	2013
9121	2013
9120	2013
9134	2013
9133	2013
9132	2013

9131	Unknown
9130	Unknown
29960-91A	1991
356A1 - Transmission Countershaft	
35026-94	1994
35626-94	1994
35632-79	1979
35625-94	1994
35622-79C	1979
363A1 - PT Driveline Miscellaneous Component	
42533-91A	1991
35260-90C	1990
35250-90D	1990
35051-89A	1989
35068-79	1979
35211-91B	1991
40266-85	1985
37069-90A	2010
365A1 - Primary Chain	
40007-36B	1936
365B1 - Primary Chain Tensioner	
39998-65A	1970
39996-65	1965
39992-65C	1990
365C1 - Primary Drive Assembly	
40308-94	1994
40384-91	1991
40251-92A	1992
365E1 - Inner Primary Housing	
60663-95A	1996
367A1 - Clutch Lever	
45015-96	1996

367H1 - Clutch Lever sub-component	
37312-75	1975
37871-98A	1998
34920-86A	1986
37904-90	1990
37906-90	1990
38630-88	1988
37905-90	1990
37909-90	1990
37872-00	2000
370A1 - Clutch Assembly	
45036-88	1988
37496-90A	1990
370B1 - Clutch Friction Plate	
37932-98	1998
37913-98	1998
370C1 - Clutch Hub	
37550-98	1998
370E1 - Clutch Metal Plate	
37903-90	1990
37088-90	1990
370F1 - Clutch Pressure Plate	
37912-00	2000
370F3 - Clutch Diaphragm Spring	
37883-98	1998
37884-98	1998
370G1 - Clutch Shell	
37707-98A	1998
372D1 - Clutch Cable	
38602-92	1992
372K2 - Clutch Ramp	
25452-87A	1987

25453-87A	1987
400A1 - Drive-Belt	
40015-90	1990
409A1 - Rear Wheel	
41012-96	1996
40992-96	1996
410D1 - Electronic Control Module (ECM)	
32504-80A	1982
32449-95C	2009
32606-82	1982
413A1 - Brake Caliper	
44023-83C	1983
44053-92A	1995
44046-84C	1984
44073-92A	1995
44050-87	1987
413B1 - Brake Bleeder Screw	
44048-83	1983
413C1 - Brake Caliper sub-component	
44045-87	1987
45420-80	1980
44054-83	1983
44204-90	2004
44147-87A	1987
44022-83	1983
45401-87	1987
48361-80	1980
413D1 - Brake Pad	
43960-86	1986
415B1 - Brake Rotor	
44136-92	1992
41789-92	1992

416A1 - Brakes Miscellaneous Component

40918-87	1987
40903-87	1987
40920-87	1987
72023-51C	1951
72023-51E	2012

416B1 - Brake Mounting Bracket

44072-92A	1995
-----------	------

417A1 - Brake Master Cylinder Assembly

45030-03C	2003
42474-90B	1990

417B1 - Brake Master Cylinder

45013-96D	1996
45019-96D	1996

417C1 - Brake Master Cylinder Piston Set

42382-87C	2000
44152-77	1977
43946-86	2000
45072-96C	2000
44020-83	1983

417D1 - Brake Master Cylinder sub-Component

45004-96A	1996
45006-96C	1996
44047-83	1983
45004-85	1985
42448-87	1987
40922-87A	1987
45032-82	1982
45423-92	1992
45423-96	1996
44198-87	1987
44039-86	1986

417F1 - Brake Master Cylinder Reservoir	
41803-90	1990
417G1 - Front Brake Lever	
45016-96	1996
418B1 - Brake Line	
45111-96	1996
45074-95	1995
40956-90B	1992
45121-96A	1997
45112-96A	1997
420A1 - Wheel Rim	
43662-80B	1983
43001-06	2006
43085-97	1997
43025-73B	1973
421A1 - Wheel Spoke with Nipple	
43239-05	2005
40761-05	2005
43241-05	2005
422A1 - Wheel Sprocket Cover	
59669-97	1997
422B1 - Wheel Sprocket	
40221-85A	1985
40217-79A	1979
423G1 - Valve Stem	
43157-83A	1983
423H1 - Valve Stem Cap	
41123-79	1979
423K1 - Wheel Weights	
95578-41	1941
95595-84A	2019

95581-47	1947
95582-47	1947
95594-84A	2010
424A1 - Wheels, Tires and Final Drive Miscellaneous Component	
44062-83	1983
40975-86C	1986
425A1 - Wheel sub-component	
43668-82	1982
430B1 - Rear Axle Carrier / Adjuster	
41571-92	1992
430D1 - Front Axle	
43895-87B	1987
43346-83B	1983
430E1 - Rear Axle	
41114-90	1990
45832-77A	1977
433A1 - Front Wheel	
40976-86A	1986
433B1 - Front Wheel Bearing Spacer	
43358-83A	1983
40910-84B	2014
43591-96B	1996
43683-97	1997
43312-84B	1984
43608-82	1982
43617-95	1995
43671-84C	1984
43613-92	1992
43291-82	1982
43654-86A	1986
43292-82	1982
41591-90	1990



56153-73	1973
433C1 - Front Wheel Hub	
43672-84A	1985
43619-84	1984
43359-84	1984
454A1 - Front Telescopic Fork	
45977-94	1994
49378-09	2009
45949-92	1992
46006-91A	1992
46004-91A	2000
45976-94	1994
455A1 - Front Telescopic Fork Slider	
45947-95	1995
45874-91	1991
45365-94	1994
45921-87	1987
45417-84	1984
45395-92	1992
45923-87	1987
45948-95	1995
45922-87	1987
45360-90	1990
45873-91A	1991
45952-90	1990
455B1 - Front Telescopic Fork Spring	
45363-94	1994
45855-77	1977
45941-95	1995
45362-90	1990
46048-84	1984
455C1 - Front Telescopic Fork sub-component	

45925-94	1994
45418-84	1984
45374-87	1987
49377-09A	2011
45865-84	1984
45926-90	1990
45940-84	1984
45419-80	1980
45461-87	1987
45739-87	1987
45361-90	1990
45460-90	1990
46002-87	1987
45834-77	1977
45905-87	1987
456A1 - Fork Protector	
45859-77A	1977
457D1 - Steering Stem	
45679-92	1992
457E1 - Steering Stem Bearing Insert Cup	
48315-60	1960
48300-60	1960
457F1 - Steering Stem Nut	
45718-60	1960
458A1 - Front Suspension and Steering Miscellaneous Component	
45875-84A	1984
45842-77A	1977
48332-48C	1948
45670-80A	1980
45668-90	1990
45648-85A	1985
459A1 - Upper Triple Clamp	

45672-80B	1980
459B1 - Lower Triple Clamp	
45598-90B	1990
45685-93	1993
470A1 - Frame	
47427-97A	1998
47318-98	1998
31519-90	1990
47456-97A	1997
472A1 - Frame sub-component	
41113-90	1990
7487	Unknown
472D2 - Chassis Structure Mounting Bracket	
59171-96	1996
59138-96	1996
60007-96	1996
59893-96	1996
69122-95	1995
474C1 - Swingarm	
47820-90A	1991
474E1 - Swingarm Assembly sub-component	
41585-90B	1990
47624-90B	2011
67859-90	1990
475B1 - Swingarm Pivot Shaft	
47817-90	1990
490C1 - Engine Guard	
47226-90A	2011
500A1 - Sidestand Assembly	
49704-90H	2011
500D1 - Sidestand Leg	
49710-94B	1994

500E1 - Sidestand Leg sub-component	
49723-90	2009
62123-66	1966
50053-90	1990
50057-91	1991
50054-90	1990
500F1 - Sidestand Pivot Pin	
554A	2002
505A1 - Footboard	
50643-82	1982
50647-82	1982
505B1 - Footpeg Mount Bracket	
50639-90A	1990
49720-90	1990
49127-77A	1977
49035-03	2003
49165-90	1990
33048-72	1972
33693-93	1993
505D1 - Passenger Footpeg	
42481-92	1992
52740-94A	1994
50649-90	1990
505K1 - Footpeg Wear Peg	
50646-82	1982
506A1 - Brake Pedal	
41955-93	1993
42502-90A	1994
42502-90B	2012
50912-72	1972
42532-82	1982
42542-93	1993

507B1 - Rider Interface Mounting Bracket	
52742-94	2014
520A1 - Rider Seat or Full Seat	
52183-96	1996
52171-96	1996
52166-96	1996
52174-96	1996
521C1 - Seat Suspension Damper	
45364-94	1994
523B1 - Back Rest Pad	
52543-94	1994
52545-84	1984
523C1 - Back Rest Support Structure	
52655-84	1984
52750-82	1982
52739-83	1983
52771-82	1982
52800-93A	1993
99013-82	1982
52801-93A	1993
523D1 - Mounting Sideplates	
52780-96B	1996
52799-96B	1996
524A1 - Passenger Grab Handle	
51176-96B	1996
524B1 - Passenger Seat	
52175-96	1996
540B1 - Rear Shock	
54569-84	1984
54512-90A	1990
54708-65A	1965
54577-94	1994

540E1 - Rear Shock sub-component	
54710-84	1984
54475-79	1979
540L2 - Rear Suspension Mounting Bracket	
44063-83C	1983
44209-87C	1987
558A1 - Handlebar	
56079-93	1993
56081-82A	1983
559D1 - Lower Handlebar Clamp	
56542-86A	1986
56541-86A	1986
56117-82A	1982
56116-82A	1982
559E1 - Upper Handlebar Clamp	
56119-77A	1977
56567-86B	1986
56115-95	1995
560A1 - Mirror	
91875-88A	1989
91892-88A	1989
561A1 - Throttle Cable	
56356-96A	1996
56355-96A	1996
561B1 - Left Hand Grip	
56206-96	1996
561D1 - Throttle Assembly sub-component	
38653-01	2001
561E1 - Throttle Grip	
56220-94A	1994
573A1 - Bodywork Miscellaneous Component	
58449-96	1996

58426-88	1988
574B1 - Windscreen / Windshield	
91849-85C	1985
91929-97	1997
58424-88	1988
58109-88B	1988
589A1 - Front Fender	
59924-80B	1980
58998-83E	2008
595D1 - Rear Fender	
59751-97	1997
59752-97	1997
59750-97	1997
59768-97	1997
596B1 - Fender Tip	
59279-94	1994
59284-94	1994
44196-90	1990
603B1 - Belt / Chain Guard	
60399-90A	1994
60297-90A	1990
60293-90A	1991
608A1 - Carbon Canister	
27042-84A	1995
608B1 - Carbon Canister Hose	
28886-96	1996
27190-96	1996
27296-96	1996
27189-96A	2008
609A1 - Fuel Miscellaneous Component	
27047-84B	1984
610A1 - Fuel Tank	

61450-95	1995
61039-96	1996
61054-96	1996
61267-97	1997
611A1 - Filler Neck Trim	
62021-96	1996
61166-93A	1996
611B1 - Fuel Cap	
61272-92C	1992
611F1 - Fuel Tank Vapor Vent Hose	
61911-95	1995
27138-90	1990
62555-95	1995
63501-68B	1968
612B1 - Fuel Level Sensor	
75078-01	2001
75066-96B	1996
75078-97	1997
612B2 - Fuel Valve	
61338-94B	1994
61338-94D	1994
62170-81B	1981
62161-02	2002
62170-02	2002
62172-02	2002
62150-85	1985
612D1 - Fuel Line Fitting	
63554-90	1990
612K1 - Fuel Pump sub-component	
70984-96A	1996
613A1 - Trim Panel	
61772-01A	2001



613B1 - Horn Cover	
69012-93A	1993
613B2 - Battery Cover	
66368-97	1997
66366-97	1997
66371-97	1997
66375-97	1997
613K1 - Airbox Cover	
29165-89	1989
614C1 - Trim	
67119-95	1995
62095-98	1998
99000-77	1977
61235-94	1994
71265-95	1995
68513-92	1992
624A1 - Oil Pump Assembly	
26053-92	1992
26050-92	1992
624B1 - Oil Pump Assembly sub-component	
26378-92A	1992
26207-83	1983
26561-84	1984
26270-92	1992
26276-92A	1992
26348-15	1915
26327-68	1968
45830-48	1948
6239	Unknown
26030-92A	1992
26400-82B	1982
26273-92A	1992

26267-92	1992
26226-92	1992
624C1 - Oil Pump Driven Gear	
26326-62A	1962
26317-68A	1968
26315-68A	1968
624D1 - Oil Pump Drive Gear	
26345-73	1973
26346-70	1970
26328-74	1974
26354-93	1993
624E1 - Oil Pump Internal Cover	
26225-92	1992
624G1 - Oil Screen	
24981-70	1970
625B1 - Oil Tank	
62421-90	1990
627B1 - Oil Drain Plug	
60348-65B	1965
627E1 - Oil Filler Plug / Dipstick	
62649-90	1990
62685-95A	1995
62433-95	1995
37075-87	1987
62681-92A	1992
627E2 - Sight Glass	
45042-96	1996
627F1 - Oil Filter	
63538-92	1992
63813-90	1990
627H1 - Oil Line	
33520-92	1992

627K1 - Oil Line Fitting	
26352-95A	1995
63523-92A	1992
62375-57A	1957
63533-41A	1941
627M1 - Oil Pressure Regulator Valve	
26856-89A	1989
628A1 - PT Lubrication and Cooling Miscellaneous Component	
61131-92	1992
63528-92	1992
63525-92	1992
628B1 - PT Lubrication and Cooling Mounting Bracket	
26381-92B	1992
648K1 - Exhaust Miscellaneous Component	
65670-90A	1990
649A1 - Muffler	
65388-97	1997
649C1 - Muffler Tailpipe / Outlet	
65669-98	1998
65668-98	1998
654A1 - Exhaust Shield	
65746-95	1995
65376-95A	2010
65701-95	1995
65813-95	1995
65379-95	1995
655A1 - Muffler Mount	
65674-95	1995
655C1 - Exhaust Mounting Bracket	
65695-95	1995
656A1 - Exhaust Flex-Coupling	
65826-90A	1991

658A1 - Exhaust Catalyst	
65747-90A	1990
65844-95A	1995
65868-97	1997
659A1 - Exhaust Clamp	
65296-95A	1995
65302-82A	1982
659B1 - Exhaust Flange	
65328-83A	2010
660A1 - Battery	
65989-97C	1997
660E1 - Ground Strap	
70276-96	1996
70041-95	1995
660F1 - Negative Battery Cable	
70103-96	1996
660G1 - Positive Battery Cable	
70102-96A	1996
660H1 - Positive Battery Cable Boot	
31662-90	1990
70595-96	1996
660K1 - Battery Vent Hose	
66020-97	1997
670A1 - Tachometer	
67042-95A	2000
677A1 - Headlight	
67757-92	1992
67730-91	1991
67733-91A	1991
67763-92A	1993
67769-93	1993
67834-83	1983

67790-93A	1993
67781-92A	1993
67705-92	1992
67698-81D	2001
67685-92	1992
67772-97	1997
677B1 - Headlight sub-component	
67880-94	1994
677C1 - Headlight Support Bracket	
67805-92	1992
678A1 - Taillight	
68049-93B	2007
68033-90	1990
68123-73	1973
68048-93B	1995
68026-73	1973
68032-90	1990
68457-86	1986
68027-90	1990
68036-91	1991
678B1 - Taillight Housing	
68513-95A	2010
678D1 - Turnsignal	
67822-88	1988
68424-89	1989
68709-94	1994
67828-88A	1988
68555-87	1987
67827-88A	1988
68763-94	1994
68480-93A	1993
67829-88	1988

68456-89	1989
68540-96	1996
68760-94	1994
68802-95	1995
68710-94	1994
68516-95	1995
68430-89A	1989
678E1 - Turnsignal Lens	
68566-90	1990
68507-90	1990
68516-92	1992
679B1 - Reflector	
59272-90	1990
59287-92	1992
60019-93A	1993
59259-90	1990
59482-00	2000
59481-00	2000
59293-94	1994
59290-92	1992
59289-92	1992
59288-92	1992
59988-72A	1972
59251-90	1990
679D1 - License Plate Bracket	
60026-97	1997
60001-55	1955
59979-93	1993
59986-75	1975
59994-93A	1993
59984-73	1973
680B1 - Emergency Light	

67691-92	1992
680C1 - Incandescent Bulb	
67136-85	1985
68572-64B	1964
68169-90A	1990
68168-89A	1989
68024-94	1994
68163-84	1984
53439-79	1979
68329-03	2003
52441-95	1995
53438-92	1992
692C1 - Electrical Miscellaneous Component	
68023-92A	1993
71146-94	1994
68551-95	1995
68024-92A	1993
71555-90	1990
72342-90A	1999
68020-92A	1993
11411	2013
66333-90	1990
72176-94	1994
68021-92A	1993
70579-65	1965
692C2 - Electrical Mounting Bracket	
31640-91	1991
69123-92A	1992
70986-96	1996
67085-95	1995
47132-97B	1997
67053-95	1995

66033-96	1996
69120-91	1991
67103-95	1995
66352-65	1965
69060-90F	2010
67338-97	1997
90977-97	1997
69062-91A	1991
69126-92	1992
692D1 - Fuse	
74587-94	1994
74599-77B	1977
692E1 - Fuse / Relay Block	
72216-94	1994
692F1 - Wire Harness	
68815-98	1998
75120-96A	1996
68774-98	1998
69558-98	1998
72152-94	1994
68850-98	1998
67777-80A	1981
68812-98	1998
26567-95	1995
692G1 - Conduit / Sheathing / Sleeving	
72366-95	1995
72249-94	1994
72266-94	1994
692G2 - Wire Guide	
45096-95A	1995
27580-88	1988



692H1 - Connector

73152-96BK	1996
72206-94	1994
72116-94BK	1994
72138-94GY	1994
73164-96BK	1996
72108-94BK	1994
24922-93	1993
27250-96B	1996
72118-94BK	1994
72113-94BK	1994
67184-94	1994
72136-94GY	1994
72102-94BK	1994
29954-71A	1971
29312-95	1995
72156-94	1994
68650-92	1992
72205-94	1994
72148-94	1994
73198-96	1996
72199-94	1994
72153-94	1994

692H2 - Terminal

9898	Unknown
72210-94	1994
72365-96	1996
72290-94	1994
72218-94	1994
72242-94	1994
72208-94	1994
72291-94	1994

9840	Unknown
9843	Unknown
9842	Unknown
9937	Unknown
9856	Unknown
9857	Unknown
72241-94A	1994
72207-94	1994
72991-01	2001
72217-94	1994
9866	Unknown
692K1 - Connector / Terminal Seal	
72142-94	1994
72912-01BK	2001
72173-94	1994
72112-94BK	1994
67191-94	1994
692L1 - Wire Harness sub-component	
70345-84	1984
72195-94	1994
70585-93	1993
70504-81	1981
73190-96	1996
10102	Unknown
73103-96BK	1996
73156-96BK	1996
10188	Unknown
73106-96BK	1996
72044-71A	1971
73153-96BK	1996
73158-96BK	1996
72143-94	1994

72405-98TN	1998
72106-94BK	1994
73110-96BK	1996
73160-96BK	1996
72405-98BK	1998
72103-94BK	1994
72163-94BK	1994
73191-96	1996
72146-94	1994
72190-94	1994
56073-83	1983
73104-96BK	1996
73102-96BK	1996
72295-94	1994
72191-94	1994
72046-79	1979
72158-94	1994
73154-96BK	1996
73108-96BK	1996
692M1 - Electrical Component / Wire Cover	
73114-96BK	1996
709B1 - Instrument Cluster or Speedometer	
92061-95	1995
67190-89	1989
67257-95C	2008
71246-95	1995
67178-96C	2001
67179-95C	2000
61244-02	2002
67271-94A	1995
66361-90	1990
67177-95C	2001

67025-96C	2001
67256-98	1998
75049-88C	1988
61223-02	2002
709B2 - Fuel Gauge	
61400-94	1994
75062-90A	1990
75067-94A	1995
75066-01	2001
75066-96A	1996
75067-01	2001
709E1 - Tank Console	
67185-95	1995
48047-95A	1995
714A1 - Ignition Switch	
71313-96A	1996
71428-90B	1990
70250-95A	1995
714B1 - Mechanical Switch	
26569-96	1996
33902-98A	1998
714D1 - Relay	
31504-91B	2000
715A1 - Hand Control	
71684-06A	2006
67854-98	1998
71564-96	1996
71563-96	1996
71568-96A	1996
71598-96A	2010
71682-06A	2006
71591-96A	2010

71567-96	1996
71621-08	2008
747A1 - Voltage Regulator	
74519-88A	1988
902A1 - Saddlebag	
91184-96A	1996
91185-96A	1996
902E1 - Saddlebag Bottom	
90823-94	1994
59294-94	1994
903A1 - Lockset	
71421-90B	1990
71450-04	2004
903B1 - Key or Key-set	
71452-91A	1991
936B1 - Cleaner	
43594-96	1996
43499-96	1996

Common Service Parts

## AUDIO & INSTRUMENTATION

[View interactive table](#)

PART NO.	DESCRIPTION	PART AND MODEL(S)
67880-94	BOOT	<i>INSTRUMENTS - FXD &amp; FXDS-CON:</i> <a href="#">FXDS CONV</a> <a href="#">FXD</a> <i>INSTRUMENTS - FXDL:</i> <a href="#">FXDL</a> <i>INSTRUMENTS - FXDWG:</i> <a href="#">FXDWG</a>

## BEARINGS, SEALS & HARDWARE

[View interactive table](#)

PART NO.	DESCRIPTION	PART AND MODEL(S)
10014	CLAMP	<a href="#">CARBURETOR (1 OF 2): All Models</a> <a href="#">FUEL TANKS: All Models</a>

<b>PART NO.</b>	<b>DESCRIPTION</b>	<b>PART AND MODEL(S)</b>
10080	CLAMP	<a href="#"><u>OIL FILTERS &amp; MOUNTS: All Models</u></a> <a href="#"><u>TRANSMISSION HOUSING &amp; OIL TANK: All Models</u></a>
10102	CLIP	TAIL LAMP & REAR TURN SIGNALS: <a href="#"><u>FXDL</u></a> <a href="#"><u>FXDWG</u></a> <a href="#"><u>FXD</u></a> FUEL TANKS: <a href="#"><u>FXDWG</u></a> INSTRUMENTS - FXDWG: <a href="#"><u>FXDWG</u></a>
11105	O-RING	<a href="#"><u>CRANKCASE - GEAR SIDE: All Models</u></a> <a href="#"><u>OIL PUMP: All Models</u></a> <a href="#"><u>TRANSMISSION HOUSING &amp; OIL TANK: All Models</u></a>
11132A	O-RING	<a href="#"><u>ROCKER ARMS, COVERS &amp; PUSHRODS - V2™ EVOLUTION: All Models</u></a> <a href="#"><u>TRANSMISSION BEARINGS &amp; SIDE COVERS: All Models</u></a> <a href="#"><u>TRANSMISSION HOUSING &amp; OIL TANK: All Models</u></a>
11143	RETAINING RING	<a href="#"><u>CLUTCH CONTROL: All Models</u></a> FRONT BRAKE CONTROL: <a href="#"><u>FXDWG</u></a> <a href="#"><u>FXD</u></a>
11145A	O-RING	<a href="#"><u>ROCKER ARMS, COVERS &amp; PUSHRODS - V2™ EVOLUTION: All Models</u></a>
11147B	O-RING	<a href="#"><u>PRIMARY HOUSING: All Models</u></a>
11150	RETAINING RING	<a href="#"><u>GEAR SHIFTER (1 OF 2): All Models</u></a>
11157	O-RING	<a href="#"><u>ROCKER ARMS, COVERS &amp; PUSHRODS - V2™ EVOLUTION: All Models</u></a>
11165	QUAD SEAL	<a href="#"><u>TRANSMISSION BEARINGS &amp; SIDE COVERS: All Models</u></a>
11292	O-RING	<a href="#"><u>AIR CLEANER &amp; ENRICHENER: All Models</u></a>
12035B	OIL SEAL	<a href="#"><u>TRANSMISSION GEARS: All Models</u></a>
12045	SEAL	<a href="#"><u>GEAR SHIFTER (1 OF 2): All Models</u></a>
12052A	OIL SEAL	<a href="#"><u>PRIMARY HOUSING: All Models</u></a>
12066A	OIL SEAL	<a href="#"><u>PRIMARY HOUSING: All Models</u></a>
12067B	OIL SEAL	<a href="#"><u>TRANSMISSION BEARINGS &amp; SIDE COVERS: All Models</u></a>
1311D	SCREW	INSTRUMENTS - FXDL: <a href="#"><u>FXDL</u></a> INSTRUMENTS - FXDWG: <a href="#"><u>FXDWG</u></a> FUEL TANK INSTRUMENTS - FXD & FXDS-CON: <a href="#"><u>FXDS CONV</u></a> <a href="#"><u>FXD</u></a>
16715-83	STUD	<a href="#"><u>CYLINDERS, VALVES &amp; HEADS - V2™ EVOLUTION: All Models</u></a>

<b>PART NO.</b>	<b>DESCRIPTION</b>	<b>PART AND MODEL(S)</b>
16800-84A	GASKET	<a href="#"><u>ROCKER ARMS, COVERS &amp; PUSHRODS - V2™ EVOLUTION: All Models</u></a>
17358-84B	GASKET	<a href="#"><u>ROCKER ARMS, COVERS &amp; PUSHRODS - V2™ EVOLUTION: All Models</u></a>
25416-70A	O-RING	<a href="#"><u>PRIMARY HOUSING: All Models</u></a>
26995-86B	SEAL	<a href="#"><u>CARBURETOR (1 OF 2): All Models</u></a>
2720	SCREW	<a href="#"><u>ALTERNATOR &amp; REGULATOR: All Models</u></a>
2952A	SCREW	<a href="#"><u>SEATS &amp; Sissy BAR: All Models</u></a>
31430-94	WASHER	<a href="#"><u>STARTER MOTOR: All Models</u></a>
31433-84A	WASHER	<a href="#"><u>PRIMARY HOUSING: All Models</u></a>
3275	SCREW	<a href="#"><u>CARBURETOR (1 OF 2): All Models</u></a>
33126-94	LOCKPLATE	<a href="#"><u>STARTER MOTOR: All Models</u></a>
33318-85	LOCKING TAB	<a href="#"><u>PRIMARY HOUSING: All Models</u></a>
3655A	SCREW	FRONT WHEEL: <a href="#"><u>FXDWG</u></a> <a href="#"><u>FXD</u></a> FRONT WHEEL: <a href="#"><u>FXDL</u></a> <a href="#"><u>FXDS CONV</u></a> <a href="#"><u>FRAME &amp; JIFFY STAND: All Models</u></a>
3658	SCREW	<a href="#"><u>HANDLEBAR SWITCHES: All Models</u></a>
36801-87C	GASKET	<a href="#"><u>TRANSMISSION BEARINGS &amp; SIDE COVERS: All Models</u></a>
4132	SCREW	<a href="#"><u>CLUTCH CONTROL: All Models</u></a> <a href="#"><u>FRONT BRAKE CONTROL: All Models</u></a>
41731-88A	GASKET	FRONT BRAKE CONTROL: <a href="#"><u>FXDL</u></a> <a href="#"><u>FXDS CONV</u></a> <a href="#"><u>FRONT BRAKE CONTROL: All Models</u></a> <a href="#"><u>REAR BRAKE CONTROL: All Models</u></a>
41733-88	GASKET	FRONT BRAKE CONTROL: <a href="#"><u>FXDWG</u></a> <a href="#"><u>FXD</u></a>
43567-92	SCREW	<a href="#"><u>REAR WHEEL: All Models</u></a>
45378-87	OIL SEAL	FRONT FORK - FXD, FXDL & FXDS-CON (1 OF 2): <a href="#"><u>FXDL</u></a> <a href="#"><u>FXDS CONV</u></a> <a href="#"><u>FXD</u></a>
45405-75A	SCREW	FRONT FORK - FXD, FXDL & FXDS-CON (1 OF 2): <a href="#"><u>FXDS CONV</u></a> <a href="#"><u>FXD</u></a> FRONT FORK - FXDWG:

<b>PART NO.</b>	<b>DESCRIPTION</b>	<b>PART AND MODEL(S)</b>
		<a href="#"><u>FXDWG</u></a>
45733-48	OIL SEAL	FRONT FORK - FXDWG: <a href="#"><u>FXDWG</u></a>
45845-77	O-RING	FRONT FORK - FXDWG: <a href="#"><u>FXDWG</u></a>
45858-77	DRAIN SCREW	FRONT FORK - FXDWG: <a href="#"><u>FXDWG</u></a>
4740A	SCREW	<a href="#"><u>CRANKCASE - GEAR SIDE: All Models</u></a> <a href="#"><u>TRANSMISSION HOUSING &amp; OIL TANK: All Models</u></a> <a href="#"><u>PRIMARY HOUSING: All Models</u></a>
47519-83A	OIL SEAL	<a href="#"><u>FRONT WHEEL: All Models</u></a> <a href="#"><u>REAR WHEEL: All Models</u></a>
48300-60	ROLLER BEARING	FRONT FORK - FXD, FXDL & FXDS-CON (2 OF 2): <a href="#"><u>FXDL</u></a> <a href="#"><u>FXDS CONV</u></a> <a href="#"><u>FXD</u></a> FRONT FORK - FXDWG: <a href="#"><u>FXDWG</u></a>
53156-86	BUSHING	<a href="#"><u>HANDLEBAR: All Models</u></a>
59768-97	FENDER SEAT NUT ASSEMBLY KIT	<a href="#"><u>FRONT &amp; REAR FENDER &amp; REAR FENDER COVERS: All Models</u></a>
60539-94B	GASKET	<a href="#"><u>PRIMARY HOUSING: All Models</u></a>
60567-90C	GASKET	<a href="#"><u>PRIMARY HOUSING: All Models</u></a>
60678-85	RETAINING RING	<a href="#"><u>PRIMARY HOUSING: All Models</u></a>
63858-49	GASKET	<a href="#"><u>ROCKER ARMS, COVERS &amp; PUSHRODS - V2™ EVOLUTION: All Models</u></a>
63859-95B	GASKET	<a href="#"><u>PRIMARY HOUSING: All Models</u></a>
6516HW	WASHER	<a href="#"><u>REAR WHEEL: All Models</u></a>
65324-83B	GASKET	<a href="#"><u>EXHAUST SYSTEM: All Models</u></a>
65325-83A	RETAINING RING	<a href="#"><u>EXHAUST SYSTEM: All Models</u></a>
6702	WASHER	GEAR SHIFTER (1 OF 2): <a href="#"><u>FXDWG</u></a> <a href="#"><u>BELTS, CHAINS, SPROCKETS &amp; REAR BELT GUARD: All Models</u></a> FRONT FORK - FXDWG: <a href="#"><u>FXDWG</u></a> HEADLAMP: <a href="#"><u>FXDL</u></a> <a href="#"><u>FXDS CONV</u></a> <a href="#"><u>FXD</u></a> FRONT & REAR FENDER & REAR FENDER COVERS: <a href="#"><u>FXDWG</u></a> <a href="#"><u>EXHAUST SYSTEM: All Models</u></a>
7041	LOCKWASHER	<a href="#"><u>STARTER MOTOR: All Models</u></a>



PART NO.	DESCRIPTION	PART AND MODEL(S)
----------	-------------	-------------------

GEAR SHIFTER (1 OF 2):

[FXDWG](#)

GEAR SHIFTER (1 OF 2):

[FXDL](#)

[FXDS CONV](#)

[FXD](#)

FRONT FORK - FXDWG:

[FXDWG](#)

739A	PLUG	<a href="#">PRIMARY HOUSING: All Models</a>
7593	NUT	<a href="#">CRANKCASE: All Models</a> <a href="#">EXHAUST SYSTEM: All Models</a>
7716	LOCKNUT	<a href="#">SWITCHES &amp; CIRCUIT BREAKERS: All Models</a>
856A	SCREW	<a href="#">GEAR SHIFTER (1 OF 2): All Models</a>
9052	ROLLER BEARING	<a href="#">FRONT WHEEL: All Models</a> <a href="#">REAR WHEEL: All Models</a>
9955	CLAMP	<a href="#">EXHAUST SYSTEM: All Models</a>

## BRAKING & SUSPENSION

[View interactive table](#)

PART NO.	DESCRIPTION	PART AND MODEL(S)
44063-83C	PAD SET	FRONT BRAKE CALIPER: <a href="#">FXDWG</a> <a href="#">FXD</a> FRONT BRAKE CALIPER: <a href="#">FXDL</a> <a href="#">FXDS CONV</a>
45875-84A	OIL SEAL	FRONT FORK - FXDWG: <a href="#">FXDWG</a>

## ELECTRICAL

[View interactive table](#)

PART NO.	DESCRIPTION	PART AND MODEL(S)
70345-84	RETAINER	HANDLEBAR SWITCHES: <a href="#">FXDL</a> <a href="#">FXD</a> <a href="#">FXDWG</a>
71621-08	SWITCH KIT	<a href="#">HANDLEBAR SWITCHES: All Models</a>
72023-51E	SWITCH KIT	<a href="#">REAR BRAKE CONTROL: All Models</a>

## ENGINE, TRANSMISSION & PRIMARY

[View interactive table](#)

PART NO.	DESCRIPTION	PART AND MODEL(S)
37909-90	RETAINING RING	<a href="#">CLUTCH: All Models</a>
37913-98	STEEL PLATE	<a href="#">CLUTCH: All Models</a>

## FOOT CONTROLS

View interactive table

PART NO.	DESCRIPTION	PART AND MODEL(S)
34611-65A	PEG	<a href="#">GEAR SHIFTER (2 OF 2): All Models</a>

## INTAKE, EXHAUST & FUEL MGMT

View interactive table

PART NO.	DESCRIPTION	PART AND MODEL(S)
27002-89	SEAL RING	<a href="#">CARBURETOR (1 OF 2): All Models</a>
27361-76A	DIAPHRAGM	<a href="#">CARBURETOR (2 OF 2): All Models</a>
29229-88D	CABLE	<a href="#">AIR CLEANER &amp; ENRICHENER: All Models</a>
65296-95A	CLAMP KIT	<a href="#">EXHAUST SYSTEM: All Models</a>

## LIGHTING

View interactive table

PART NO.	DESCRIPTION	PART AND MODEL(S)
68168-89A	BULB	<a href="#">FRONT TURN SIGNALS: All Models</a> <a href="#">TAIL LAMP &amp; REAR TURN SIGNALS: All Models</a>
68329-03	BULB	<a href="#">HEADLAMP: All Models</a>
68572-64B	BULB	<a href="#">FRONT TURN SIGNALS: All Models</a> <a href="#">TAIL LAMP &amp; REAR TURN SIGNALS: All Models</a>

## MAINTENANCE & TOOLS

View interactive table

PART NO.	DESCRIPTION	PART AND MODEL(S)
65989-97C	BATTERY	<a href="#">BATTERY TRAY &amp; BATTERY: All Models</a>
95582-47	WEIGHT	<a href="#">FRONT WHEEL: All Models</a> <a href="#">REAR WHEEL: All Models</a>
95594-84A	WEIGHT	FRONT WHEEL: <a href="#">FXDL</a> <a href="#">FXDS CONV</a> REAR WHEEL: <a href="#">FXDL</a>

PART NO.	DESCRIPTION	PART AND MODEL(S)
95595-84A	WEIGHT	<a href="#">FXDS CONV</a> FRONT WHEEL: <a href="#">FXD</a> REAR WHEEL: <a href="#">FXD</a>

## TIRES

View interactive table

PART NO.	DESCRIPTION	PART AND MODEL(S)
43157-83A	VALVE STEM	FRONT WHEEL: <a href="#">FXDL</a> <a href="#">FXDS CONV</a> <a href="#">FXD</a> REAR WHEEL: <a href="#">FXDL</a> <a href="#">FXDS CONV</a> <a href="#">FXD</a>