

1999 HARLEY-DAVIDSON® PARTS CATALOG

FLSTS - HERITAGE SPRINGER

FLSTC - HERITAGE SOFTAIL CLASSIC

FLSTF - FAT BOY • FXSTC - SOFTAIL CUSTOM

FXSTS - SPRINGER SOFTAIL • FXSTB - NIGHT TRAIN

FXST - SOFTAIL STANDARD

# SOFTAIL® MODELS



OFFICIAL FACTORY MANUAL

PART NO. 99455-99

# 1999 Softail Models Parts Catalog

Alphabetical List

Parts

Hardware List

New Parts List

Numerical Index

Component Types and Introduction Dates

Common Service Parts

## READER'S COMMENTS

The Harley-Davidson Service Communications Department maintains a continuous effort to improve the quality and usefulness of its publications. To do this effectively, we need user feedback - your critical evaluation of this manual.

Please comment on the completeness, accuracy, organization, usability, and readability of this manual.

---

---

---

---

---

Please list the page, item, and part number(s) of any errors you find in this manual.

---

---

---

---

---

Please tell us how we can improve this manual.

---

---

---

---

---

Name	Document 99455-99A
Occupation	Dealership
Street	Department



---

---

---

---

---

---

## GENERAL INFORMATION

**THIS IS NOT AN ASSEMBLY MANUAL AND SHOULD NOT BE USED AS SUCH.**

### About this Manual

This Parts Catalog has been prepared to make it easier for you to order parts for your motorcycles. The numbers shown in the illustrations correspond to the numbers in the "INDEX NO." column in the parts lists. Consult the illustrations when ordering parts to make sure that you receive all the required parts. The number in parentheses following the part description is the quantity needed for complete assembly. If there is no number in parentheses, only one is used. Prices of parts in this catalog are published separately.

When ordering parts, the following instructions should be followed carefully.

- Make sure to specify the correct part number for each item. The part numbers appear under the "PART NO." column in the parts lists.
- Orders may be placed via your computer for all parts. Review your system documentation on placing orders electronically. All non-warranty replacement crankcase orders require return of the complete left crankcase half with vehicle identification number (VIN). All non-warranty replacement frame orders require return of the steering neck with vehicle identification number (VIN). Non-compliance will result in a fine. See non-warranty frame and crankcase policy or contact Dealer Services.
- The sale or use of these parts or accessories does not grant the purchaser a license or other right under any Harley-Davidson patent.
- For all 2008 and later painted parts, refer to the Service Section of [h-dnet.com](http://h-dnet.com) which features a listing of painted part numbers, except CVO (Custom Vehicle Operations) models which are located in their own respective catalogs.
- All parts that were added for the new model year will have the entire line shaded on the parts list page. This can be used to identify any new parts that are unique to a specific model, and help distinguish new and previous model year parts.
- Parts marked "**RESTRICTED SALE PART**" are limited edition items and can only be ordered as direct replacements.
- Orientation symbols are used when the illustration is not in the standard "Right-Front" orientation. The symbol is a motorcycle with an arrow in the front indicating the direction of view. The symbol is at the bottom left or right side of the illustration page.
- To request a missing or loose part, simply submit a Return Material Authorization (RMA) claim on [h-dnet.com](http://h-dnet.com) with code "T-part not included with vehicle" for all vehicle missing parts claims. Then place an



order for the missing item on your next Parts and Accessories order. Upon filing the RMA claim, your dealership will be credited for the dealer net cost of the part. The Vehicle Identification Number must be included on the RMA claim in order for you to receive credit. This process is to be used for vehicles manufactured at all plants.

To the best knowledge of Harley-Davidson Motor Company, the material contained herein is accurate as of the date this publication was approved for printing. Harley-Davidson Motor Company reserves the right to change specifications, equipment or designs at any time without notice and without incurring obligation.

©2018 H-D.

## **GENERAL INFORMATION**

### **LOOSE PARTS**

The Loose Parts section is located at the back of this parts catalog. This section lists the parts which are shipped unfastened with the vehicles covered in this catalog.

### **HARDWARE LIST**

The Hardware List is located at the back of this parts catalog. This section contains the information for each piece of hardware found in each parts list.

### **NEW PARTS LIST**

The New Parts List is located at the back of this parts catalog. This list serves as a summary of new parts.

### **NUMERICAL INDEX**

The Numerical Index is located at the back of this parts catalog. This index includes all part numbers used in this catalog and the page numbers of where they can be found.

### **COMPONENT TYPES AND INTRODUCTION DATES**

The Component Types and Introduction Dates section is located at the back of this parts catalog. This section contains a list of component part numbers and year of introduction.

### **COMMON SERVICE PARTS**

The Common Service Parts section is located at the back of this parts catalog. This section contains the most commonly ordered parts for service on vehicles covered in this catalog. These parts are ordered through the normal ordering process.

### **SIP (SERVICE INFORMATION PORTAL)**

For the latest updates to these manuals, see the Service Information Portal.

### **VEHICLE IDENTIFICATION NUMBER**

See Figure 1. A unique 17-digit serial, or vehicle identification number (VIN), is assigned to each motorcycle. For a description of each digit in the vehicle identification number (VIN), refer to Table 1.

For all models except V-Rod the full 17-digit serial, or vehicle identification number (VIN), is stamped on the right side of the frame backbone at the rear of the steering head. The vehicle identification number (VIN) is also printed on a label on the right front downtube. An abbreviated vehicle identification number (VIN) is stamped on the left side crankcase between the front and rear cylinders.

For V-Rod models only the full 17-digit serial, or vehicle identification number (VIN), is stamped on the right side of the steering head. The vehicle identification number (VIN) is also printed on a label on the left frame tube above the front engine cylinder. An abbreviated vehicle identification number (VIN) is stamped on the left side crankcase below the rear cylinder head.

Always give the full 17-digit vehicle identification number (VIN) when ordering parts or making any inquiry about your motorcycle.

## 1999 SOFTAIL MODELS

### VIN Model Codes

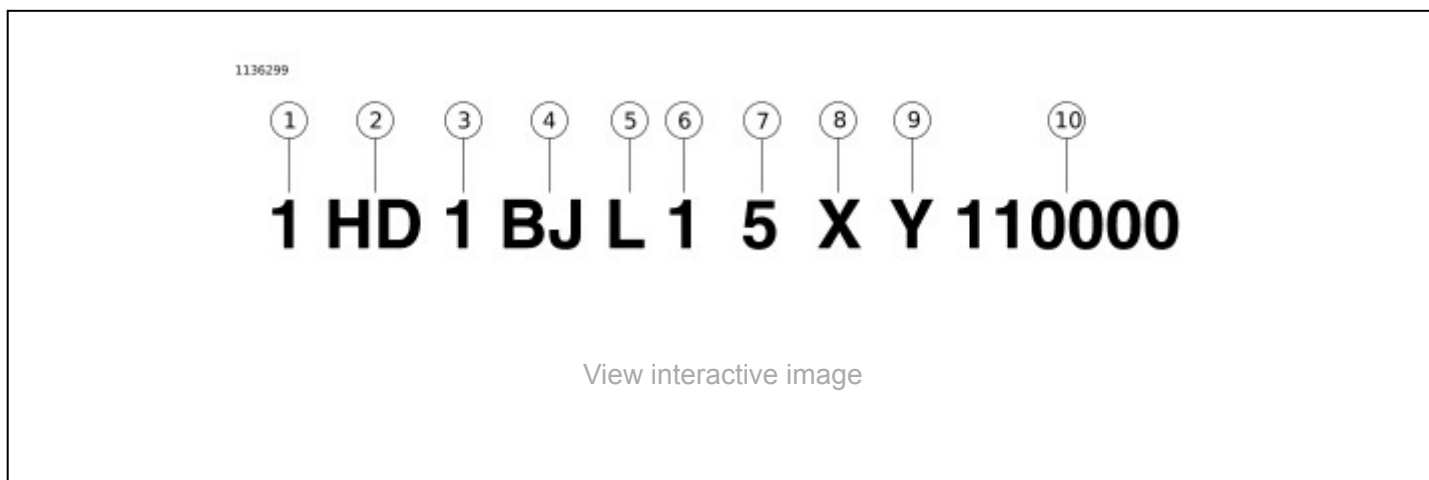


Figure 1. Typical Harley-Davidson VIN

Table 2. Harley-Davidson VIN Breakdown

POSITION	DESCRIPTION	POSSIBLE VALUES
1	Market designation	1=Domestic 5=International
2	Manufacturer	HD=Harley-Davidson
3	Motorcycle type	1=Heavyweight motorcycle (901 cc and larger)
4	Model	See model table
5	Engine type	L=Carbureted
6	Introduction date	1=Regular 2=Mid-year 3=California 4=Special Edition
7	V.I.N. check digit	Can be 0-9 or X
8	Model year	X=1999
9	Assembly plant	Y=York, PA

POSITION	DESCRIPTION	POSSIBLE VALUES
10	Sequential number	varies

Table 3. VIN Model Codes

CODE	MODEL	CODE	MODEL	CODE	MODEL
BH	FXST	BJ	FLSTC	BL	FXSTS
BM	FLSTF	BR	FLSTS	BK	FXSTC
BT	FXSTB				

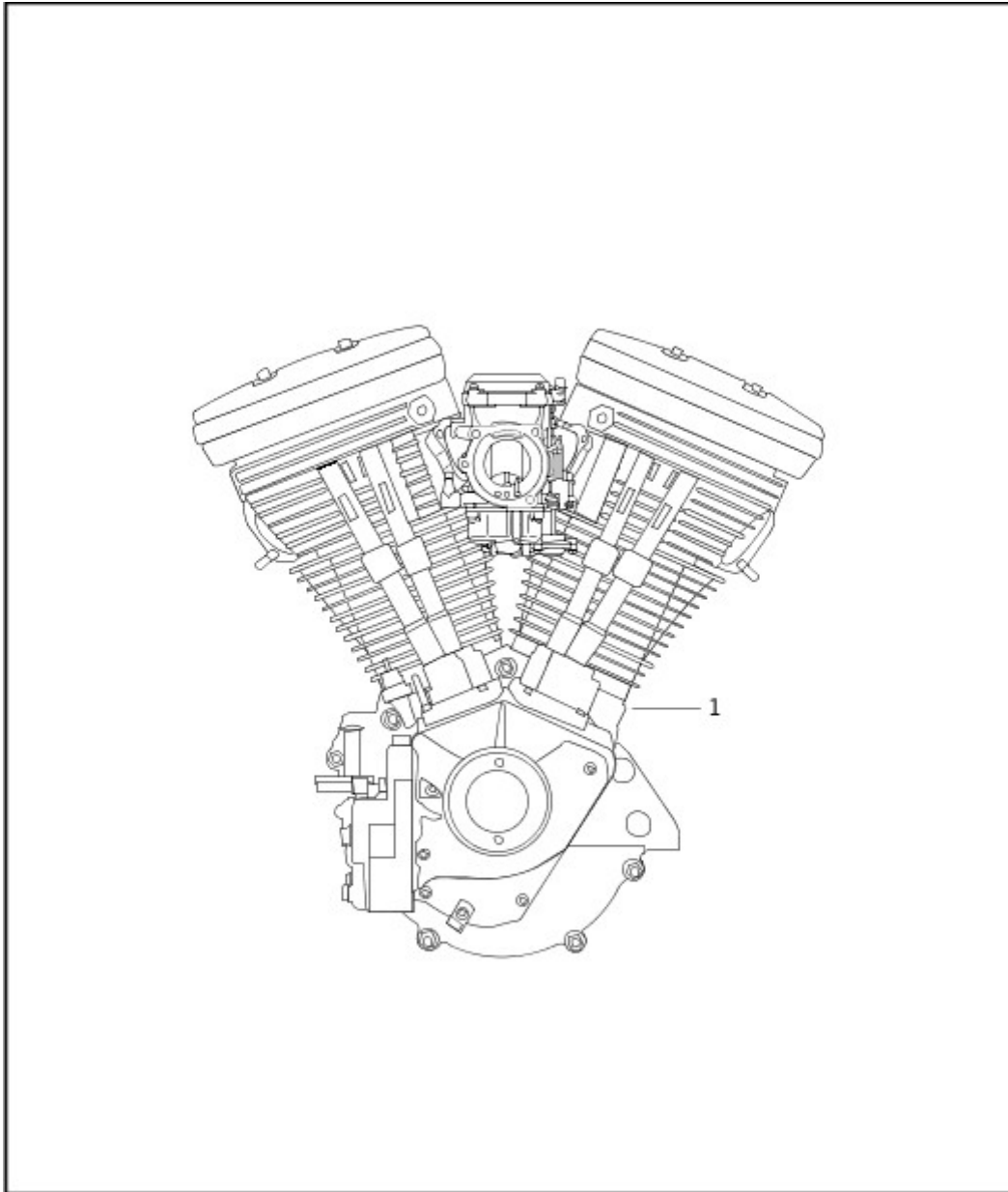
## NOTES

AIR CLEANER & ENRICHENER  
 ALTERNATOR & REGULATOR  
 AUXILIARY/FOG LAMPS - FLSTC & FLSTS, FRONT TURN SIGNALS - FLSTC (1 OF 2)  
 AUXILIARY/FOG LAMPS - FLSTC & FLSTS, FRONT TURN SIGNALS - FLSTC (2 OF 2)  
 AXLE, FRONT  
 BATTERY  
 BATTERY CABLES  
 BELT GUARD  
 BELTS, CHAINS & SPROCKETS  
 BRAKE CONTROL, FRONT  
 BRAKE DISC, REAR  
 BRAKE LINES, FRONT  
 CABLE, CLUTCH CONTROL  
 CALIFORNIA EVAPORATIVE EMISSIONS COMPONENTS  
 CALIPER, FRONT  
 CALIPER, REAR  
 CAM POSITION SENSOR & VACUUM SWITCH  
 CARBURETOR (1 OF 2)  
 CARBURETOR (2 OF 2)  
 CLAMPS, HANDLEBAR UPPER & LOWER  
 CLUTCH  
 CLUTCH CONTROL  
 CRANKCASE  
 CRANKCASE - GEAR SIDE  
 CYLINDERS, VALVES & HEADS - V<sup>2</sup><sup>TM</sup> EVOLUTION  
 DECALS, FUEL TANK  
 ELECTRICAL MOUNTING BRACKETS  
 ENGINE ASSEMBLY - COMPLETE  
 EXHAUST SYSTEM (1 OF 2)  
 EXHAUST SYSTEM (2 OF 2)  
 EXHAUST SYSTEM - FLSTS  
 FOOTRESTS & FOOTBOARDS  
 FORK ROCKERS & CALIPER MOUNTING - FLSTS

FORK ROCKERS & CALIPER MOUNTING - FXSTS  
FRAME, REAR FORK & JIFFY STAND (1 OF 2)  
FRAME, REAR FORK & JIFFY STAND (2 OF 2)  
FRONT BRAKE CALIPER  
FRONT BRAKE CONTROL  
FRONT FENDER - FLSTS  
FRONT FENDER - FXST, FXSTB, FXSTC, FLSTC & FLSTF  
FRONT FENDER - FXSTS  
FRONT FORK - FLSTC & FLSTF (1 OF 2)  
FRONT FORK - FLSTC & FLSTF (2 OF 2)  
FRONT FORK - FLSTS  
FRONT FORK - FXST, FXSTC & FXSTB  
FRONT FORK - FXSTS  
FRONT TURN SIGNALS  
FRONT WHEEL (1 OF 2)  
FRONT WHEEL (2 OF 2)  
FUEL TANK  
FUEL TANK TRIM  
GASKET KIT, ENGINE OVERHAUL  
GASKET KIT, TOP OVERHAUL  
GEAR SHIFTER (1 OF 2)  
GEAR SHIFTER (2 OF 2)  
GEARS, TRANSMISSION  
HAND LEVER, CLUTCH CONTROL  
HANDLEBAR  
HANDLEBAR GRIPS  
HANDLEBAR SWITCHES  
HEADLAMP (1 OF 2)  
HEADLAMP (2 OF 2)  
HORN  
IGNITION MODULE & COIL  
INSTRUMENTS  
LICENSE PLATE BRACKETS  
MASTER CYLINDER, w/ HAND LEVER, FRONT  
MIRRORS  
OIL FILTER & MOUNT  
OIL PUMP  
OIL TANK  
PISTONS, CONNECTING RODS & FLYWHEELS  
PRIMARY COVER  
PRIMARY HOUSING  
REAR BELT GUARD  
REAR BRAKE CALIPER  
REAR BRAKE CONTROL - FLST MODELS  
REAR BRAKE CONTROL - FXST MODELS  
REAR FENDER & SUPPORTS - FLSTC, FLSTF & FLSTS  
REAR FENDER & SUPPORTS - FXST, FXSTC, FXSTS & FXSTB  
REAR TURN SIGNALS  
REAR WHEEL  
RELAY, STARTER  
ROCKER ARMS, COVERS & PUSHRODS - V<sup>2</sup>™ EVOLUTION  
SADDLEBAGS - FLSTC  
SADDLEBAGS - FLSTS

SEAT - FLSTS  
SEATS & SISSY BARS  
SHOCK ABSORBERS - REAR  
SPROCKET, REAR 66T  
STARTER MOTOR  
SWITCH, IGNITION  
SWITCH, IGNITION  
SWITCH, NEUTRAL INDICATOR  
SWITCHES & CIRCUIT BREAKERS  
TAIL LAMP  
THROTTLE CONTROL  
TRANSMISSION BEARINGS  
TRANSMISSION GEARS  
TRANSMISSION HOUSING (1 OF 2)  
TRANSMISSION HOUSING (2 OF 2)  
TURN SIGNAL CANCELLER  
VOLTAGE REGULATOR  
WHEEL, FRONT  
WHEEL, REAR  
WINDSHIELD - FLSTC  
WIRING HARNESS, MAIN  
Parts

**ENGINE ASSEMBLY - COMPLETE**



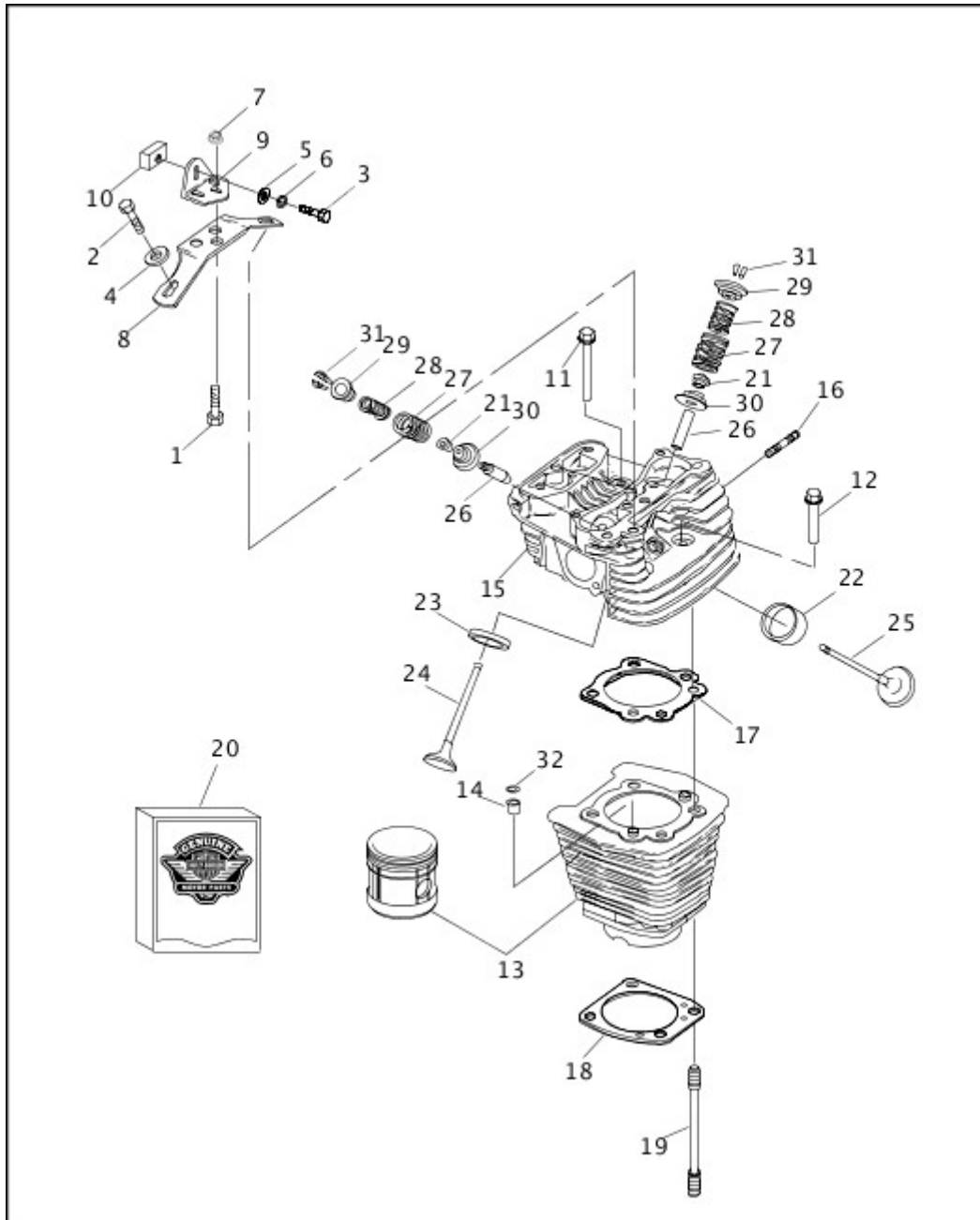
[View interactive image](#)

[View interactive table](#)

INDEX NO.	PART NO.	DESCRIPTION	MODEL(S)
1	16118-99	ENGINE ASSEMBLY, complete (polished & silver painted)	FXST
	16119-99	ENGINE ASSEMBLY, complete (polished & silver painted) (California)	FXST
	16121-99	ENGINE ASSEMBLY, complete (chrome & black texture)	FLSTC, FLSTF, FLSTS, FXSTC, FXSTS
	16126-99	ENGINE ASSEMBLY, complete (chrome & black texture) (California)	FLSTC, FLSTF, FLSTS, FXSTC, FXSTS
	16132-99	ENGINE ASSEMBLY, complete (black wrinkle) (California)	FXSTB

INDEX NO.	PART NO.	DESCRIPTION	MODEL(S)
	16155-99	ENGINE ASSEMBLY, complete (black wrinkle)	FXSTB
<b>INTERNATIONAL MODELS ONLY</b>			
	16120-99	ENGINE ASSEMBLY, complete (polished & silver painted) (HDI)	FXST
	16122-99	ENGINE ASSEMBLY, complete (chrome & black texture) (HDI)	FLSTC, FLSTF, FLSTS, FXSTC, FXSTS
	16154-99	ENGINE ASSEMBLY, complete (black wrinkle) (HDI)	FXSTB

## **CYLINDERS, VALVES & HEADS - V<sup>2</sup>™ EVOLUTION**



[View interactive image](#)

[View interactive table](#)

INDEX NO.	PART NO.	DESCRIPTION	MODEL(S)
1	2879W	BOLT (3)	ALL
2	4716W	SCREW (2)	ALL
3	4726	BOLT	ALL
4	6019	WASHER (2)	ALL
5	6516HW	WASHER	ALL
6	7039	LOCKWASHER	ALL

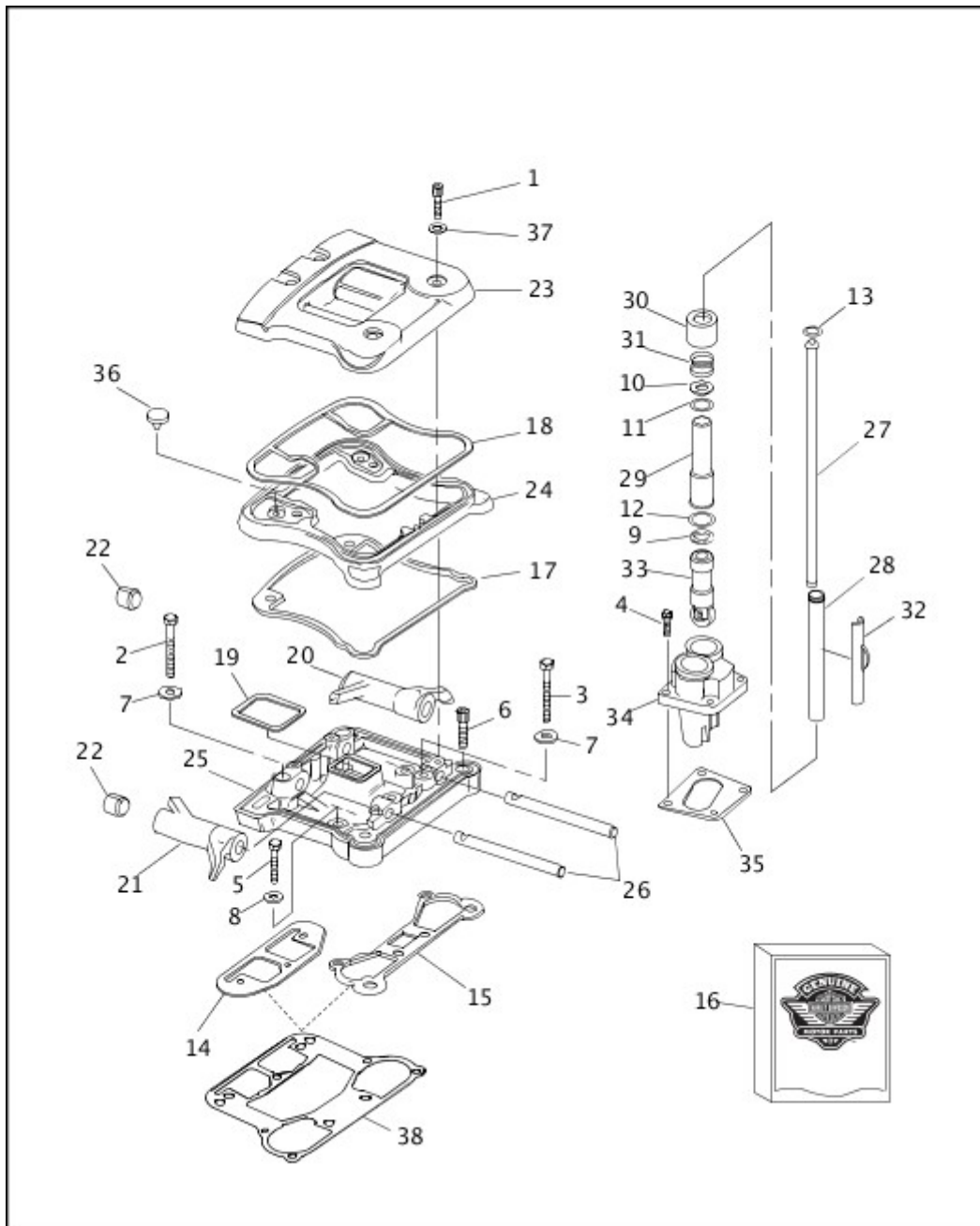


INDEX NO.	PART NO.	DESCRIPTION	MODEL(S)
7	7601	LOCKNUT, flange (3)	ALL
8	16242-90	BRACKET, engine mounting	ALL
9	16247-91	BRACKET, engine mounting	ALL
10	16284-84	MOUNTING BLOCK	ALL
11	16478-85A	SCREW, internal thread (4)	ALL
12	16480-92A	SCREW, internal thread (4)	ALL
13	16510-83A	CYLINDER, w/ piston (silver) (2)	FXST
	16512-86A	CYLINDER, w/ piston (black texture) (2)	FLSTC, FLSTF, FLSTS, FXSTC, FXSTS
	16557-98	CYLINDER, w/ piston (black texture w/o machined fins) (2)	FXSTB
14	16573-83A	INSERT, cylinder stud (4)	ALL
15	16692-95	HEAD, front cylinder, w/ guides & seats (black texture)	FLSTC, FLSTF, FLSTS, FXSTC, FXSTS
	16696-92A	HEAD, rear cylinder, w/ guides & seats (replaces 16607-98) (black texture)	FLSTC, FLSTF, FLSTS, FXSTB, FXSTC, FXSTS
	16609-98	HEAD, front cylinder, w/ guides & seats (black texture, w/o machined fins)	FXSTB
	16607-98	HEAD, rear cylinder, w/ guides & seats (use 16696-92A) (black texture, w/o machined fins)	FXSTB
	16691-92B	HEAD, front cylinder, w/ guides & seats (silver)	FXST
	16690-92B	HEAD, rear cylinder, w/ guides & seats (silver)	FXST
16	16715-83	STUD, exhaust port (4)	ALL
17	16770-84F	GASKET, cylinder head (2)	ALL
18	16774-86D	GASKET, cylinder base (2)	ALL

INDEX NO.	PART NO.	DESCRIPTION	MODEL(S)
19	16837-85C	STUD, cylinder base (8)	ALL
20	17040-92A	GASKET KIT, top overhaul	ALL
	17041-92A	GASKET KIT, engine overhaul	ALL
21	18001-83B	SEAL, valve (4)	ALL
22	18011-86	INSERT, exhaust valve seat (2)	ALL
	18124-83	INSERT, exhaust valve seat, 0.005 O.S. (2)	ALL
23	18020-83	INSERT, intake valve seat (2)	ALL
	18134-83	INSERT, intake valve seat, 0.005 O.S. (2)	ALL
24	18074-83B	INTAKE VALVE (2)	ALL
	18076-83	INTAKE VALVE, 0.03 short (2)	ALL
25	18082-83A	EXHAUST VALVE (2)	ALL
	18087-83	EXHAUST VALVE, 0.030 short (2)	ALL
26	18101-83D	VALVE GUIDE, intake & exhaust (4)	ALL
	18130-83D	VALVE GUIDE, intake & exhaust, 0.001 O.S. (4)	ALL
	18131-83D	VALVE GUIDE, intake & exhaust, 0.003 O.S. (4)	ALL
	18133-83B	VALVE GUIDE, intake & exhaust, 0.002 O.S. (4)	ALL
27	18201-83	VALVE SPRING, outer (4)	ALL
28	18202-83	VALVE SPRING, inner (4)	ALL
29	18219-83A	COLLAR, valve spring, upper (4)	ALL

INDEX NO.	PART NO.	DESCRIPTION	MODEL(S)
30	18222-83A	COLLAR, valve spring, lower (4)	ALL
31	18229-83A	RETAINER, valve collar (8)	ALL
32	26432-76A	O-RING, cylinder stud insert (4)	ALL

## ROCKER ARMS, COVERS & PUSHRODS - V2™ EVOLUTION



[View interactive image](#)

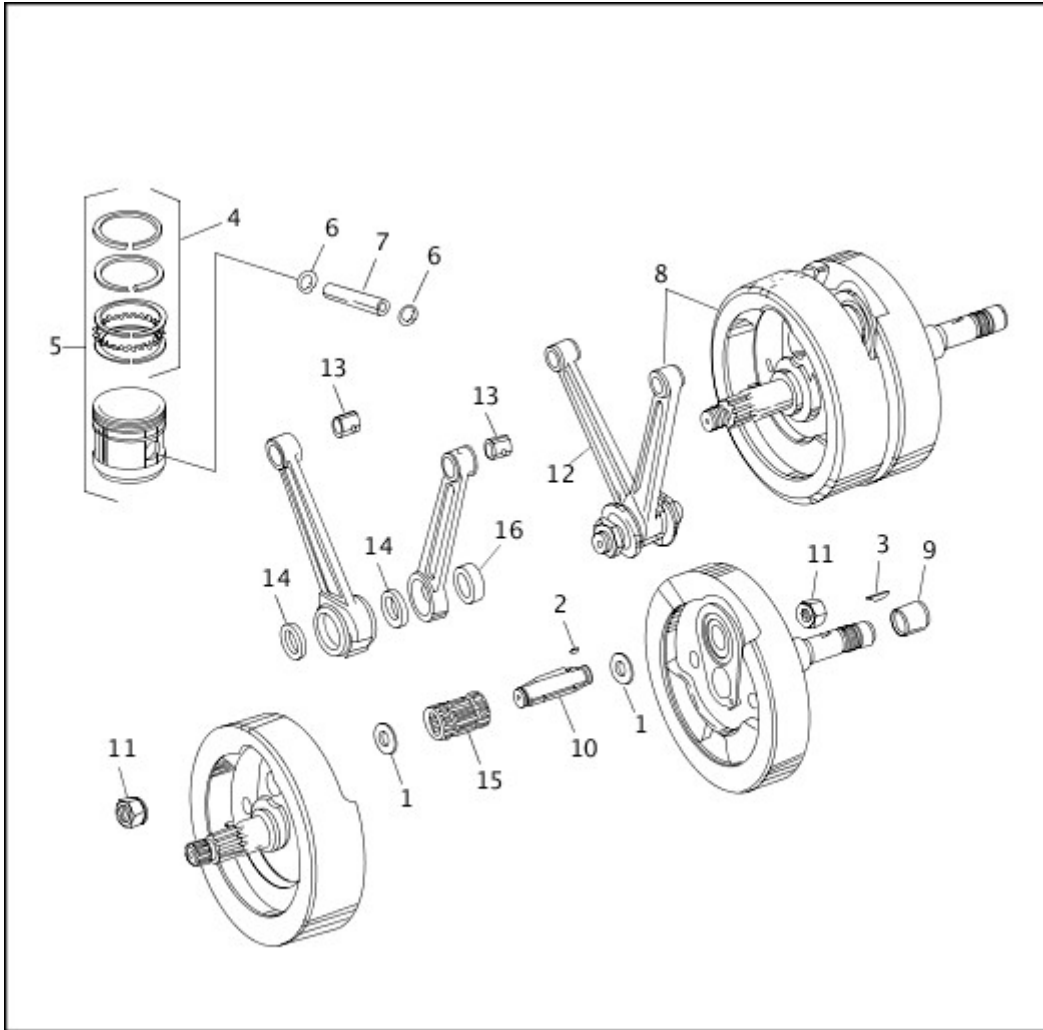
View interactive table

INDEX NO.	PART NO.	DESCRIPTION	MODEL(S)
1	882	SCREW (8)	ALL
2	3500A	BOLT (4)	ALL
3	3501A	BOLT (4)	ALL
4	3770	SCREW (8)	ALL
5	3849	SCREW (6)	ALL
6	4718A	SCREW (4)	ALL
7	6016	WASHER (8)	ALL
8	6736	WASHER (6)	ALL
9	6737	WASHER (4)	ALL
10	6762B	WASHER (4)	ALL
11	11132A	O-RING, pushrod cover (4)	ALL
12	11145A	O-RING, pushrod cover (4)	ALL
13	11157	O-RING (4)	ALL
14	16778-84B	GASKET, cylinder head, right (use 16800-84A) (2)	ALL
15	16779-84C	GASKET, cylinder head, left (use 16800-84A) (2)	ALL
16	17042-92A	GASKET KIT, rocker boxes, w/ 17, 18, 19, 36, 37 & 38	ALL
17	17355-92A	GASKET, rocker cover, lower (2)	ALL
18	17356-92A	GASKET, rocker cover, upper (2)	ALL
19	17358-84B	GASKET, rocker cover, inner (2)	ALL
20	17360-83A	ROCKER ARM, front intake & rear exhaust, w/17429-91 (2)	ALL
21	17375-83A	ROCKER ARM, rear intake & front exhaust, w/17429-91 (2)	ALL
22	17429-91	BEARING, rocker arm (8)	ALL
23	17528-92	ROCKER COVER, outer (chrome) (2)	FLSTC, FLSTF, FLSTS, FXSTC, FXSTS

INDEX NO.	PART NO.	DESCRIPTION	MODEL(S)
	17503-92A	ROCKER COVER, outer (silver) (2)	FXST
	17600-98	ROCKER COVER, outer (black texture) (2)	FXSTB
24	17529-92	SPACER, rocker covers (chrome) (2)	FLSTC, FLSTF, FLSTS, FXSTC, FXSTS
	17510-92A	SPACER, rocker covers (silver) (2)	FXST
	17601-98	SPACER, rocker covers (black texture) (2)	FXSTB
25	17530-92	ROCKER COVER, inner (chrome) (2)	FLSTC, FLSTF, FLSTS, FXSTC, FXSTS
	17521-92A	ROCKER COVER, inner (silver) (2)	FXST
	17602-98	ROCKER COVER, inner (black texture) (2)	FXSTB
26	17611-83	SHAFT, rocker arm (4)	ALL
27	17921-83A	PUSHROD, rear exhaust, 11.210 inch long	ALL
	17924-83A	PUSHROD, rear intake, 11.045 inch long	ALL
	17927-83A	PUSHROD, front exhaust, 11.325 inch long	ALL
	17930-83A	PUSHROD, front intake, 11.090 inch long	ALL
28	17935-79B	COVER, pushrod, upper (4)	ALL
29	17938-83	COVER, pushrod, lower (4)	ALL
30	17945-36B	CAP, cover spring (4)	ALL
31	17947-36	SPRING, pushrod cover (4)	ALL
32	17950-66	RETAINER, spring cap (4)	ALL
33	18523-86B	TAPPET, w/ roller (4)	ALL

INDEX NO.	PART NO.	DESCRIPTION	MODEL(S)
34	18622-85B	TAPPET GUIDE, rear (black texture)	FLSTC, FLSTF, FLSTS, FXSTB, FXSTC, FXSTS
	18623-85B	TAPPET GUIDE, front (black texture)	FLSTC, FLSTF, FLSTS, FXSTB, FXSTC, FXSTS
	18540-83C	TAPPET GUIDE, rear (silver)	FXST
	18542-83C	TAPPET GUIDE, front (silver)	FXST
35	18633-48D	GASKET, tappet guide, rear	ALL
	18634-48C	GASKET, tappet guide, front	ALL
36	26856-89A	VALVE, umbrella	ALL
37	63858-49	GASKET (8)	ALL
38	16800-84A	GASKET, rocker cover/cylinder head, valve & pushrod sides (replaces 16778-84B & 16779-84C) (2)	ALL

## PISTONS, CONNECTING RODS & FLYWHEELS



[View interactive image](#)

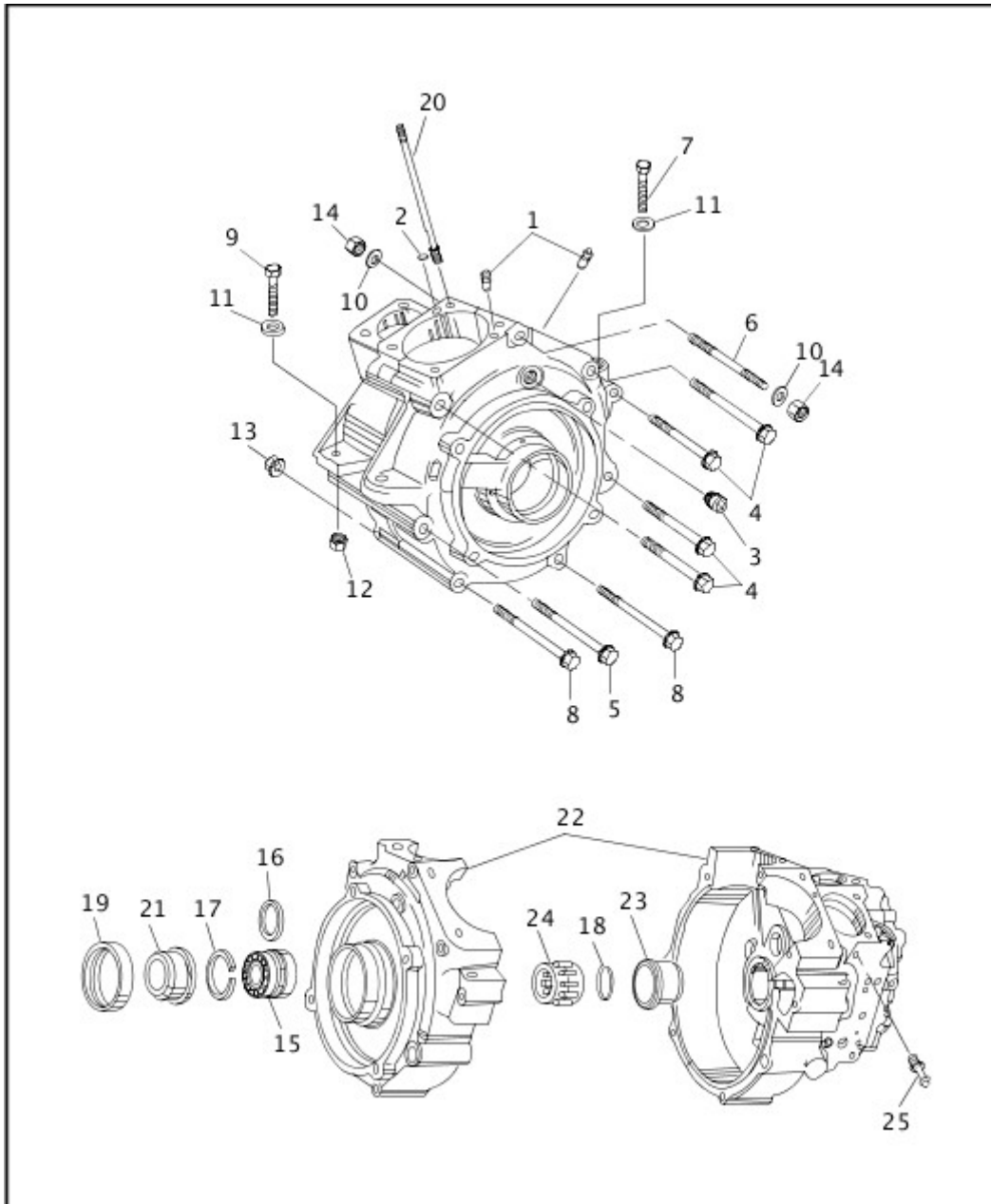
[View interactive table](#)

INDEX NO.	PART NO.	DESCRIPTION	MODEL(S)
1	6506	WASHER (bronze) (2)	ALL
2	11218	KEY, crank pin & gearshaft	ALL
3	11219	T-KEY	ALL
4	21920-83	PISTON RING SET, standard (2)	ALL
	21921-83	PISTON RING SET, 0.005 inch O.S. (2)	ALL
	21922-83	PISTON RING SET, 0.010 inch O.S. (2)	ALL
	21923-83	PISTON RING SET, 0.020 inch O.S. (2)	ALL
	21924-83	PISTON RING SET, 0.030 inch O.S. (2)	ALL
5	21940-83	PISTON & RINGS ASSEMBLY, standard (2)	ALL
	21941-83	PISTON & RINGS ASSEMBLY, 0.005 inch O.S. (2)	ALL

INDEX NO.	PART NO.	DESCRIPTION	MODEL(S)
	21942-83	PISTON & RINGS ASSEMBLY, 0.010 inch O.S. (2)	ALL
	21943-83	PISTON & RINGS ASSEMBLY, 0.020 inch O.S. (2)	ALL
	21944-83	PISTON & RINGS ASSEMBLY, 0.030 inch O.S. (2)	ALL
6	22589-83B	LOCK RING, piston pin (4)	ALL
7	22764-83	PISTON PIN (2)	ALL
8	23906-93B	SET OF FLYWHEELS & SHAFT, w/ rods	ALL
9	23928-87	INNER RING	ALL
10	23981-98	CRANK PIN, standard	ALL
	23974-87	CRANK PIN, 0.001 inch O.S.	ALL
	23975-87	CRANK PIN, 0.002 inch O.S.	ALL
11	23981-98	NUT, crank pin (2)	ALL
12	24281-83	SET OF RODS, w/ bearings & crank pin	ALL
13	24334-36	BUSHING, piston pin, 0.002 inch O.S. (2)	ALL
	24335-36	BUSHING, piston pin, 0.010 inch O.S. (2)	ALL
14	24345-36A	BUSHING, rear connecting rod, lower (2)	ALL
15	24346-87A	BEARING SET	ALL
16	24356-36A	BUSHING, front connecting rod, lower	ALL

## CRANKCASE





[View interactive image](#)

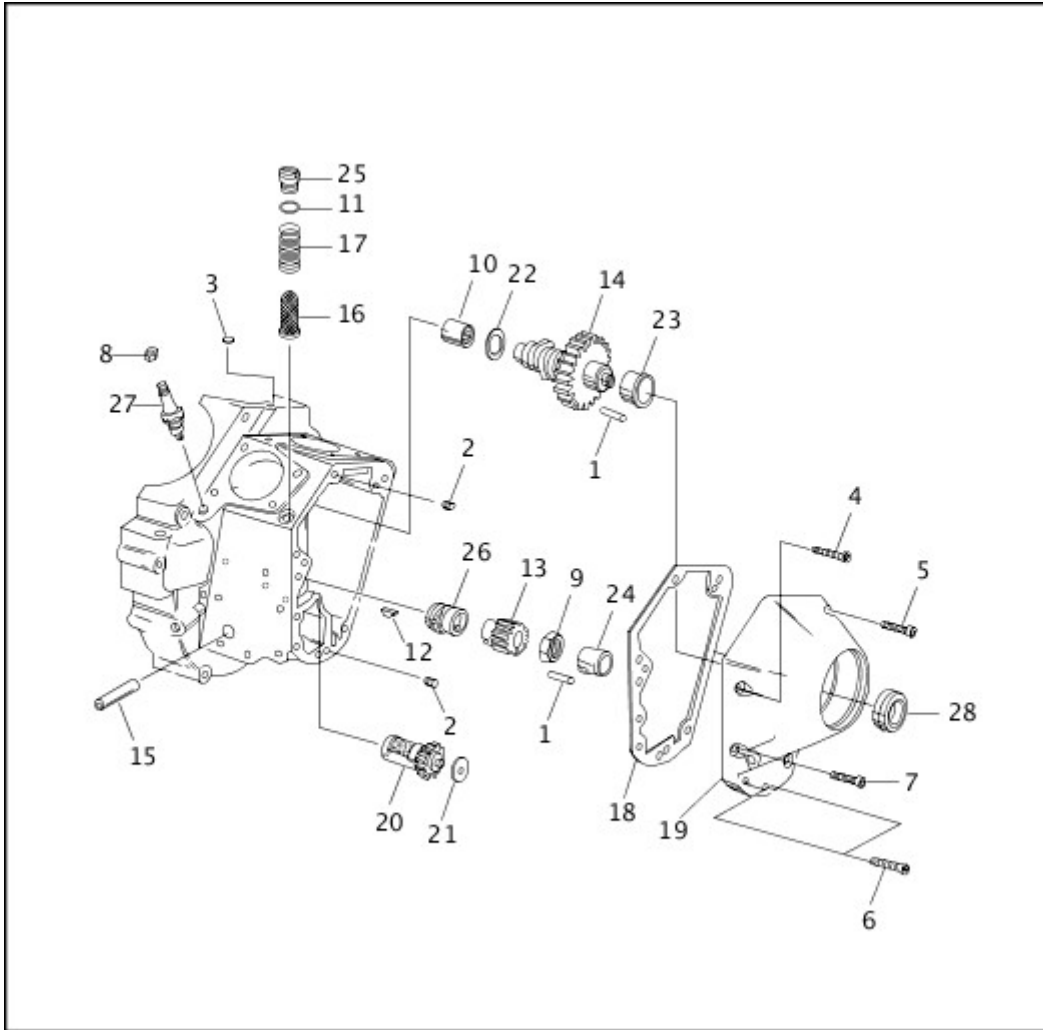
[View interactive table](#)

INDEX NO.	PART NO.	DESCRIPTION	MODEL(S)
1	358	DOWEL PIN (2)	ALL
2	653	EXPANSION PLUG	ALL
3	720	PLUG, timing hole	ALL
4	3398	SCREW (4)	ALL
5	3504A	BOLT	ALL
6	3506	STUD	ALL
7	3512	BOLT (2)	ALL

INDEX NO.	PART NO.	DESCRIPTION	MODEL(S)
8	3613	SCREW (2)	ALL
9	4416	BOLT (2)	ALL
10	6016	WASHER (2)	ALL
11	6019	WASHER (4)	ALL
12	7506	NUT (4)	ALL
13	7593	NUT, flange (3)	ALL
14	7883	NUT (2)	ALL
15	9028	BEARING ASSEMBLY, sprocket shaft	ALL
16	9110	SHIM, bearing assembly, 0.0905 - .0895 inch	ALL
	9120	SHIM, bearing assembly, 0.0925 - .0915 inch	ALL
	9121	SHIM, bearing assembly, 0.0945 - .0935 inch	ALL
	9122	SHIM, bearing assembly, 0.0965 - .0955 inch	ALL
	9123	SHIM, bearing assembly, 0.0985 - .0975 inch	ALL
	9124	SHIM, bearing assembly, 0.1005 - .0995 inch	ALL
	9125	SHIM, bearing assembly, 0.1025 - .1015 inch	ALL
	9126	SHIM, bearing assembly, 0.1045 - .1035 inch	ALL
	9127	SHIM, bearing assembly, 0.1065 - .1055 inch	ALL
	9128	SHIM, bearing assembly, 0.1085 - .1075 inch	ALL
	9129	SHIM, bearing assembly, 0.1105 - .1095 inch	ALL
	9130	SHIM, bearing assembly, 0.1125 - .1115 inch	ALL
	9131	SHIM, bearing assembly, 0.1145 - .1135 inch	ALL
	9132	SHIM, bearing assembly, 0.1165 - .1155 inch	ALL
	9133	SHIM, bearing assembly, 0.1185 - .1175 inch	ALL
	9134	SHIM, bearing assembly, 0.1205 - .1195 inch	ALL
17	11160A	RETAINING RING, bearing, left	ALL
18	11177A	RETAINING RING, bearing, right	ALL
19	12026B	OIL SEAL	ALL
20	16837-85C	STUD, cylinder base (8)	ALL
21	24002-70	SPACER, sprocket shaft	ALL

INDEX NO.	PART NO.	DESCRIPTION	MODEL(S)
22	24571-93	SET OF CRANKCASES (black)	FLSTC, FLSTF, FLSTS, FXSTB, FXSTC, FXSTS
	24572-93A	SET OF CRANKCASES (silver painted)	FXST
23	24599-93	BUSHING, right crankcase, standard	ALL
	24600-58B	BUSHING, right crankcase, 0.002 inch O.S.O.D.	ALL
	24601-58B	BUSHING, right crankcase, 0.005 inch O.S.O.D.	ALL
24	24626-87A	BEARING SET, gear side (white/gray)	ALL
	24628-87A	BEARING SET, gear side (green)	ALL
	24641-87A	BEARING SET, gear side (red)	ALL
	24643-87A	BEARING SET, gear side (blue)	ALL
25	63533-41A	FITTING, oil hose	ALL

## CRANKCASE - GEAR SIDE



[View interactive image](#)

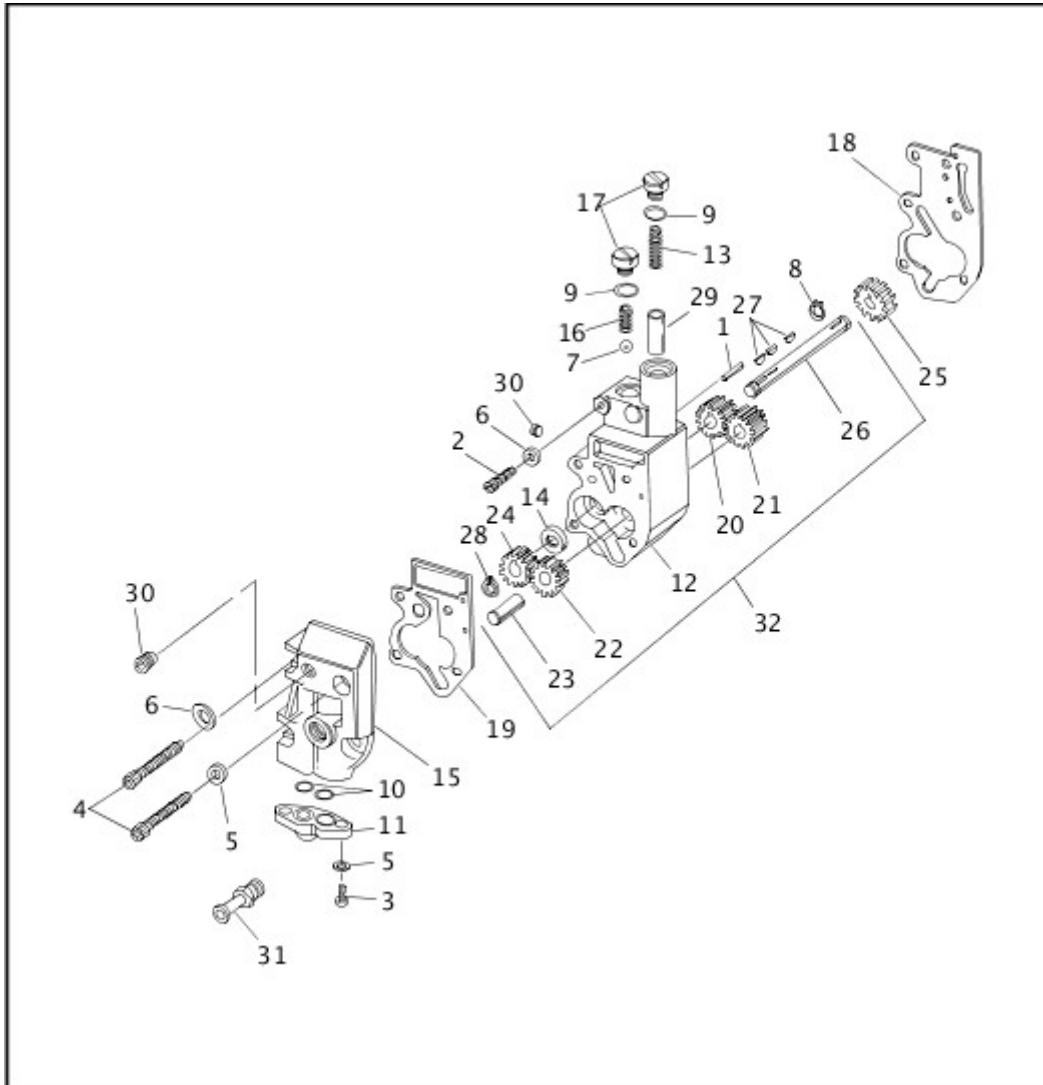
[View interactive table](#)

INDEX NO.	PART NO.	DESCRIPTION	MODEL(S)
1	275	DOWEL PIN (as required) (2)	ALL
2	366	DOWEL PIN (2)	ALL
3	653	PLUG, crankcase	ALL
4	3480A	SCREW	ALL
5	4813A	SCREW	ALL
6	4718A	SCREW (2)	ALL
7	4740A	SCREW	ALL
8	7629	NUT	ALL
9	7916A	JAMNUT, gear shaft	ALL
10	9058	NEEDLE BEARING, crankcase cam cover	ALL

INDEX NO.	PART NO.	DESCRIPTION	MODEL(S)
11	11105	O-RING	ALL
12	11219	T-KEY	ALL
13	24040-93	PINION GEAR, 1.4850-53 p.d. (orange)	ALL
	24041-93	PINION GEAR, 1.4846-49 p.d. (white)	ALL
	24042-93	PINION GEAR, 1.4842-45 p.d. (yellow)	ALL
	24043-93	PINION GEAR, 1.4838-41 p.d. (red)	ALL
	24044-93	PINION GEAR, 1.4834-37 p.d. (blue)	ALL
	24045-93	PINION GEAR, 1.4830-33 p.d. (green)	ALL
	24046-93	PINION GEAR, 1.4826-29 p.d. (black)	ALL
14	24586-93	SET OF CAM & PINION GEARS (matched)	ALL
15	24641-36	BUSHING, oil pump shaft	ALL
16	24981-70	OIL SCREEN, crankcase	ALL
17	24982-70	SPRING, oil screen	ALL
18	25225-93B	GASKET, gear cover	ALL
19	25256-93A	GEAR COVER (chrome)	FLSTC, FLSTF, FLSTS, FXSTC, FXSTS
	26099-99	GEAR COVER (silver painted)	FXST
	25298-98	GEAR COVER (black wrinkle)	FXSTB
20	25310-82A	BREATHER VALVE GEAR	ALL
21	25320-82	THRUST WASHER, breather valve, 0.130 inch thick	ALL
	25321-82	THRUST WASHER, breather valve, 0.135 inch thick	ALL
	25322-82	THRUST WASHER, breather valve, 0.140 inch thick	ALL
	25323-82	THRUST WASHER, breather valve, 0.145 inch thick	ALL
	25325-82	THRUST WASHER, breather valve, 0.150 inch thick	ALL
	25326-82	THRUST WASHER, breather valve, 0.155 inch thick	ALL
	25327-82	THRUST WASHER, breather valve, 0.160 inch thick	ALL
	25328-82	THRUST WASHER, breather valve, 0.165 inch thick	ALL
22	25550-57A	THRUST WASHER, cam gear	ALL
23	25581-70	BUSHING, gear cover	ALL
24	25582-93	BUSHING, gear cover pinion shaft	ALL

INDEX NO.	PART NO.	DESCRIPTION	MODEL(S)
25	26263-80	PLUG, oil screen	ALL
26	26354-93	DRIVE GEAR, oil pump	ALL
27	26561-84	OIL PRESSURE SWITCH	ALL
28	83162-51	OIL SEAL, bearing	ALL

## OIL PUMP



[View interactive image](#)

[View interactive table](#)

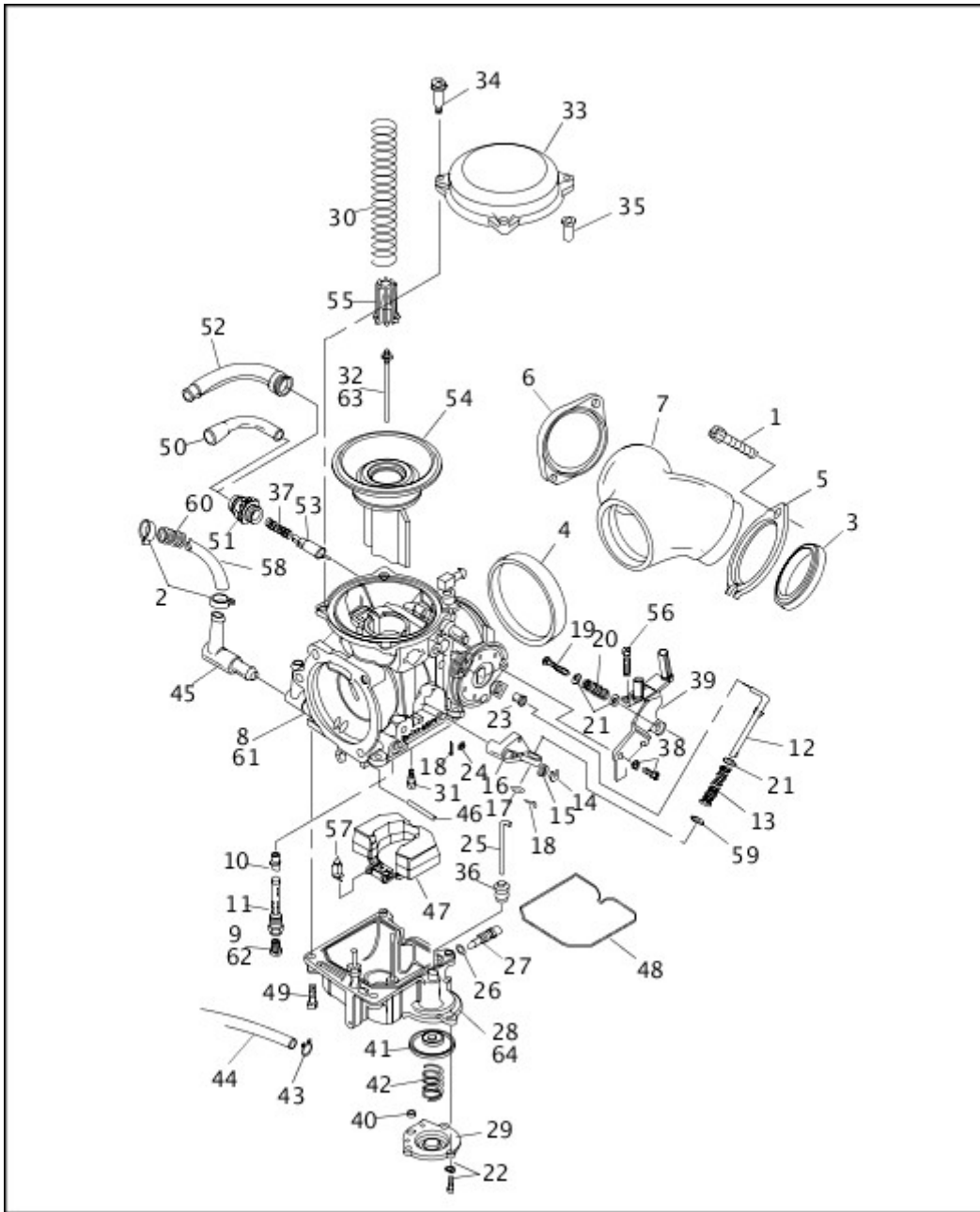
INDEX NO.	PART NO.	DESCRIPTION	MODEL(S)
1	239	PIN, valve stop	ALL
2	891	SCREW (2)	ALL

INDEX NO.	PART NO.	DESCRIPTION	MODEL(S)
3	942	SCREW (2)	ALL
4	4742A	SCREW (4)	ALL
5	6099	WASHER (2)	ALL
6	6239	WASHER (4)	ALL
7	8873	BALL, check valve, 3/8 inch diameter	ALL
8	11002	RETAINING RING, oil pump	ALL
9	11105	O-RING, check valve cover screw (2)	ALL
10	11241	O-RING (2)	ALL
11	26030-92A	END CAP (black texture)	FLSTC, FLSTF, FLSTS, FXSTC, FXSTS
	26096-98	END CAP (black wrinkle)	FXSTB
	26031-92A	END CAP (use 26097-98) (polished)	FXST
12	26226-92	BODY, oil pump (replaces 26090-98) (black texture)	FLSTC, FLSTF, FLSTS, FXSTB, FXSTC, FXSTS
	26090-98	BODY, oil pump (use 26226-92) (black wrinkle)	FXSTB
	26225-92	BODY, oil pump (polished)	FXST
13	26207-83	SPRING, relief valve	ALL
14	26227-58	OIL SEAL	ALL
15	26267-92	COVER, oil pump (replaces 26093-98) (black texture)	FLSTC, FLSTF, FLSTS, FXSTB, FXSTC, FXSTS
	26093-98	COVER, oil pump (use 26267-92) (black wrinkle)	FXSTB
	26270-92	COVER, oil pump (polished)	FXST
16	26262-80	SPRING, check valve	ALL
17	26263-80	COVER SCREW, check & relief valves (2)	ALL
18	26273-92A	GASKET, body (paper)	ALL

INDEX NO.	PART NO.	DESCRIPTION	MODEL(S)
19	26276-92A	GASKET, cover (paper)	ALL
20	26315-68A	DRIVE GEAR	ALL
21	26317-68A	IDLER GEAR	ALL
22	26326-62A	DRIVE IDLER GEAR	ALL
23	26327-68	SHAFT, idler gear	ALL
24	26328-74	DRIVE GEAR	ALL
25	26345-73	DRIVE GEAR, 24 T	ALL
26	26346-70	DRIVE SHAFT	ALL
27	26348-15	KEY, drive shaft (3)	ALL
28	26348-36	RETAINING RING, drive shaft	ALL
29	26400-82B	VALVE, oil pump	ALL
30	45830-48	PLUG (2)	ALL
31	63533-41A	FITTING, straight	ALL
32	26050-92	OIL PUMP ASSEMBLY, w/ 1, 7, 9, 13, 14, 16, 17, 20-23 & 26-30 (black texture)	FLSTC, FLSTF, FLSTS, FXSTC, FXSTS
	26097-98	OIL PUMP ASSEMBLY, w/ 1, 7, 9, 13, 14, 16, 17, 20-23 & 26-30 (polished)	FXST
	26088-98	OIL PUMP ASSEMBLY, w/ 1, 7, 9, 13, 14, 16, 17, 20-23 & 26-30 (black wrinkle)	FXSTB

## CARBURETOR (1 OF 2)





[View interactive image](#)

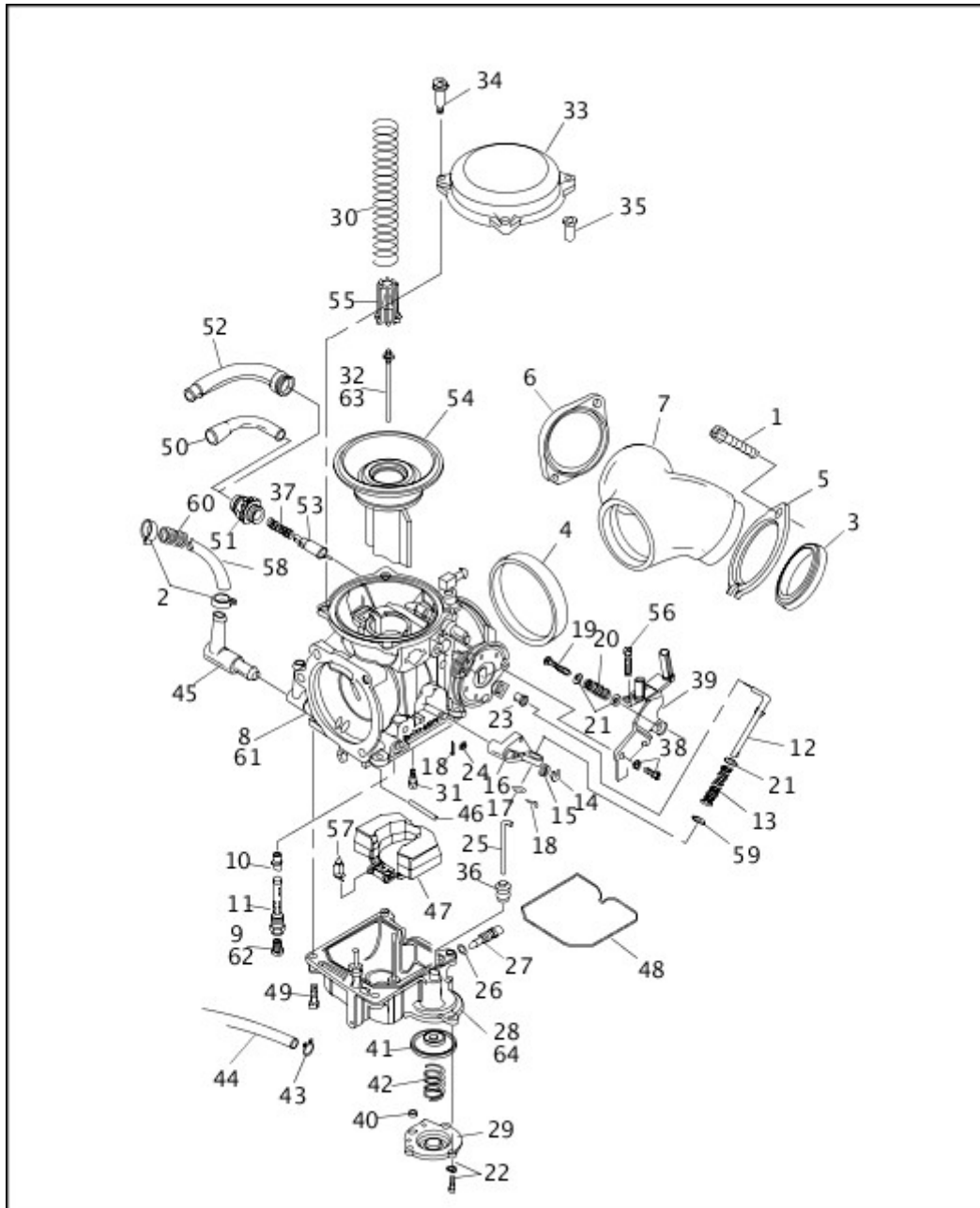
[View interactive table](#)

INDEX NO.	PART NO.	DESCRIPTION	MODEL(S)
1	3275	SCREW (4)	ALL
2	10014	CLAMP (2)	ALL
3	26995-86B	SEAL, intake manifold (2)	ALL
4	27002-89	SEAL RING	ALL
5	27009-86A	FLANGE, mounting, front	ALL
6	27010-86A	FLANGE, mounting, rear	ALL
7	27019-89A	MANIFOLD	ALL

INDEX NO.	PART NO.	DESCRIPTION	MODEL(S)
8	27492-96B	CARBURETOR	ALL
	27504-96	CARBURETOR (California)	ALL
9	27090-89	MAIN JET, 1.75 mm (California)	ALL
	27115-88	MAIN JET, 1.70 mm	ALL
10	27100-88	NEEDLE JET	ALL
11	27101-88	NEEDLE JET HOLDER	ALL
12	27122-89	ROD	ALL
13	27123-89A	SPRING	ALL
14	27124-89	E-CLIP	ALL
15	27125-89	WASHER	ALL
16	27126-89	LEVER	ALL
17	27127-89	WASHER	ALL
18	27128-89	PIN (2)	ALL
19	27130-90	IDLE SCREW	ALL
20	27136-90A	SPRING	ALL
21	27137-81	WASHER (3)	ALL
22	27146-89	SCREW, w/ washer (3)	ALL
23	27147-89	COLLAR	ALL
24	27148-89	WASHER	ALL
25	27156-89	ROD	ALL
26	27157-89	O-RING	ALL
27	27158-89	DRAIN SCREW	ALL
28	27159-92	FLOAT CHAMBER ASSEMBLY	ALL
29	27160-89	PUMP HOUSING	ALL
30	27162-89	SPRING	ALL
31	27171-89	SLOW JET	ALL
32	27253-96	JET NEEDLE	ALL
	27254-96	JET NEEDLE (California)	ALL
33	27261-96	TOP, carburetor	ALL

INDEX NO.	PART NO.	DESCRIPTION	MODEL(S)
34	27262-96	SCREW, top (3)	ALL
35	27263-96	COLLAR	ALL

## CARBURETOR (2 OF 2)



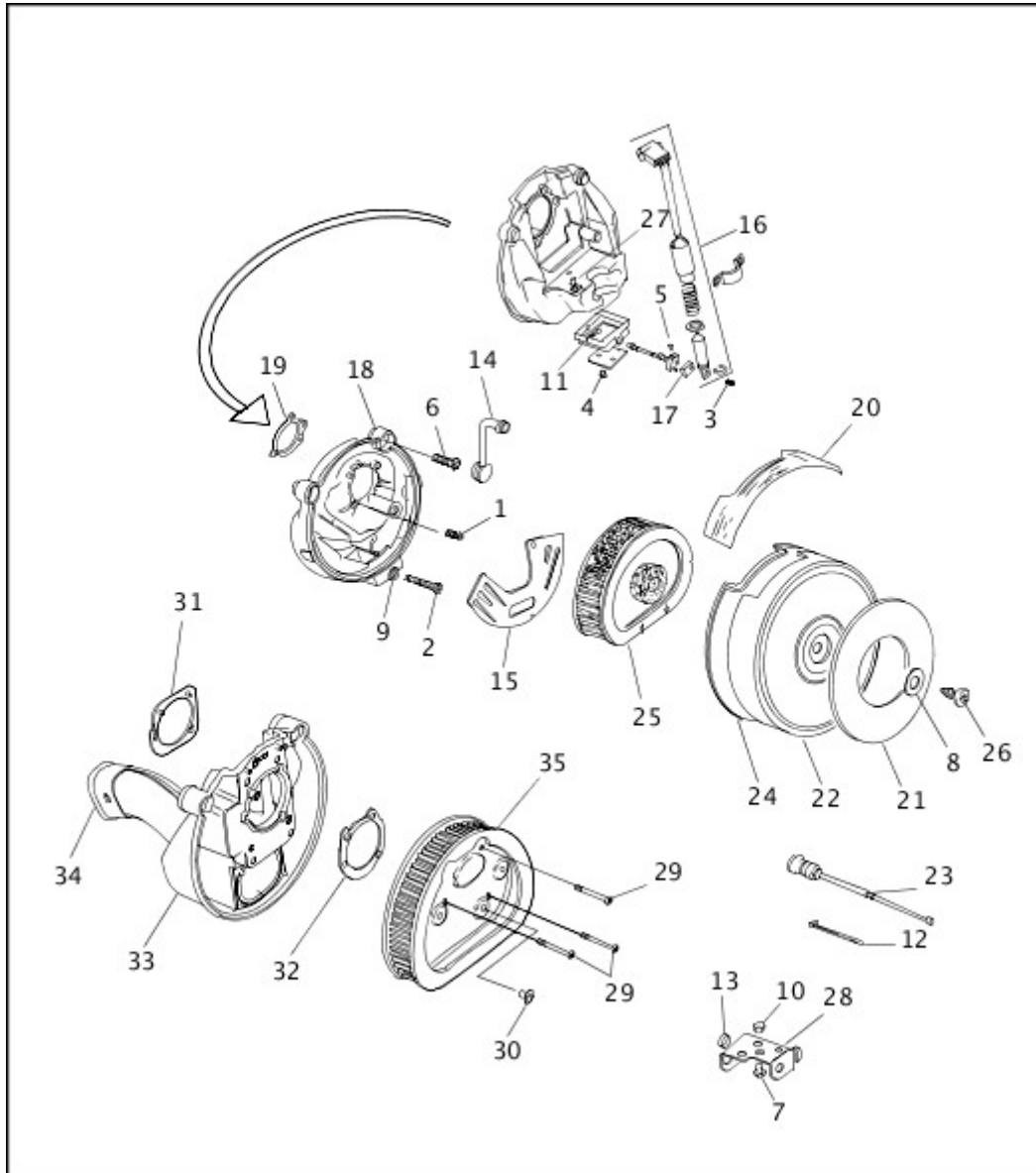
[View interactive image](#)

[View interactive table](#)

INDEX NO.	PART NO.	DESCRIPTION	MODEL(S)
36	27311-76	BOOT, accelerator pump	ALL
37	27315-88A	SPRING	ALL

INDEX NO.	PART NO.	DESCRIPTION	MODEL(S)
38	27317-88	SCREW	ALL
39	27339-90	BRACKET, throttle cables	ALL
40	27360-76	O-RING	ALL
41	27361-76A	DIAPHRAGM, accelerator pump	ALL
42	27362-76	SPRING, diaphragm	ALL
43	27368-76	CLIP, overflow hose	ALL
44	27369-76	HOSE, overflow, w/ clip	ALL
45	27371-76A	FITTING	ALL
46	27575-88A	PIN	ALL
47	27576-92	FLOAT	ALL
48	27577-92	O-RING, float chamber	ALL
49	27579-88A	SCREW (4)	ALL
50	27580-88	CABLE GUIDE	ALL
51	27581-88	STARTER CAP	ALL
52	27582-88	CABLE SEALING CAP	ALL
53	27583-88	STARTER VALVE	ALL
54	27585-88	VACUUM PISTON	ALL
55	27586-88	SPRING SEAT	ALL
56	27587-88	SCREW	ALL
57	27886-78A	VALVE, w/ clip	ALL
58	62356-95	FUEL HOSE, preformed	ALL
59	27231-98	COLLAR	ALL
<b>NOTE: Hose or insulator is sold in bulk length under the following part numbers. Cut to length.</b>			
60	62555-95	INSULATOR, 1/2 inch I.D. (nylon) (8 feet)	ALL
<b>INTERNATIONAL MODELS ONLY</b>			
61	27088-99	CARBURETOR (HDI) (HDI carburetor does not feature a drain screw)	ALL
62	27105-88	MAIN JET, 2.00 mm (HDI)	ALL
63	27254-96	JET NEEDLE (HDI)	ALL
64	27380-98	FLOAT CHAMBER ASSEMBLY	ALL

# AIR CLEANER & ENRICHENER



[View interactive image](#)

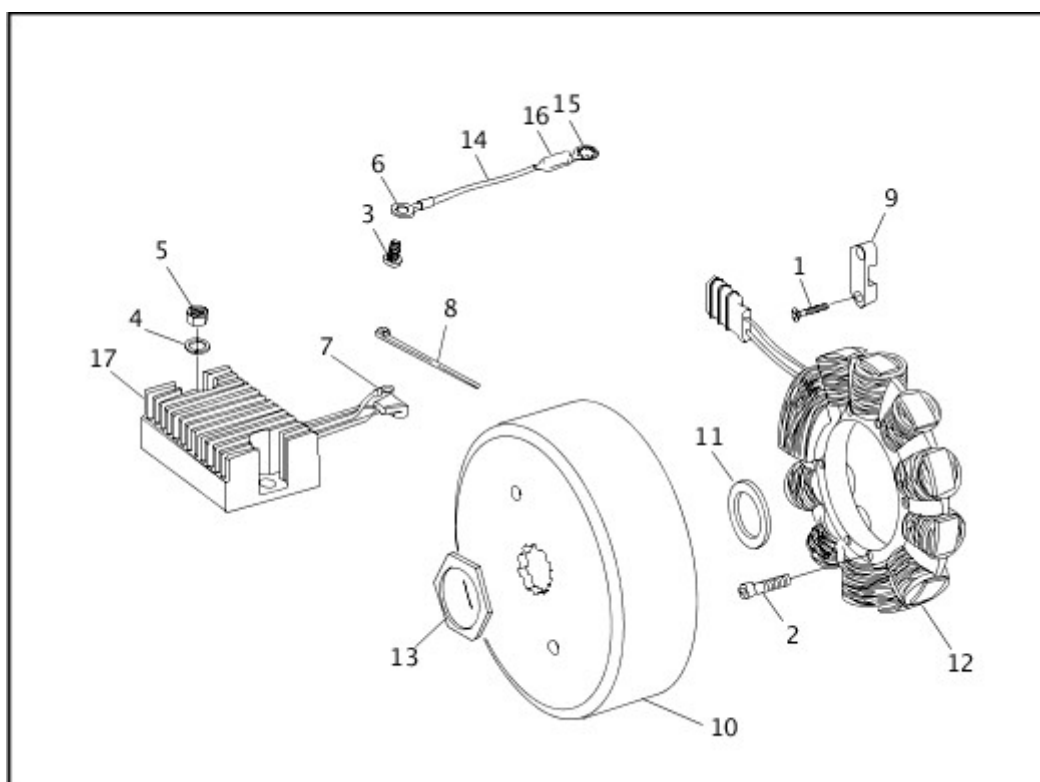
[View interactive table](#)

INDEX NO.	PART NO.	DESCRIPTION	MODEL(S)
1	864A	SCREW (3)	ALL
2	1795A	SCREW (California) (2)	ALL
3	2711	SCREW (California)	ALL
4	2737	SCREW (California) (2)	ALL
5	3221	SCREW (California)	ALL
6	3577	SCREW, breather (2)	ALL

INDEX NO.	PART NO.	DESCRIPTION	MODEL(S)
7	4713W	BOLT (2)	ALL
8	6109	WASHER	ALL
9	6253W	WASHER (California) (2)	ALL
10	7601	LOCKNUT, flange (2)	ALL
11	8535	RIVET (California) (2)	ALL
12	10006	CABLE STRAP	ALL
13	11460	GROMMET	ALL
14	24922-93	BREATHER CONNECTOR (2)	ALL
15	28823-89	BAFFLE PLATE ASSEMBLY (California)	ALL
16	28827-96A	SOLENOID ASSEMBLY (California)	ALL
17	28842-89	LINK (California)	ALL
18	29087-96	BACKPLATE ASSEMBLY, w/ solenoid (California)	ALL
	29134-92	BACKPLATE ASSEMBLY	ALL
19	29059-88A	GASKET	ALL
20	29126-90B	SAFETY LABEL	FLSTC, FLSTF, FLSTS, FXST, FXSTC, FXSTS
	29449-98B	SAFETY LABEL (black)	FXSTB
21	29161-86	TRIM, "HERITAGE SOFTAIL"	FLSTC
	29169-84	TRIM, "SOFTAIL"	FXST, FXSTC
	29181-88	TRIM, "SPRINGER SOFTAIL"	FXSTS
	29256-90	TRIM, "FAT BOY"	FLSTF
	29366-97	TRIM, "HERITAGE SPRINGER"	FLSTS
	29482-98	TRIM, "SOFTAIL" (black)	FXSTB
22	29165-89	COVER, air cleaner (chrome)	FLSTC, FLSTF, FLSTS, FXST, FXSTC, FXSTS
	29548-98	COVER, air cleaner (black wrinkle)	FXSTB
23	29229-88D	CABLE, enrichment	ALL
24	29252-89	MOLDING	ALL
25	29330-96	FILTER ELEMENT	ALL
26	29283-93	SCREW	ALL
27	61095-92	FITTING (California)	ALL

INDEX NO.	PART NO.	DESCRIPTION	MODEL(S)
28	69126-92	BRACKET, enrichment cable	FLSTC, FLSTF, FLSTS, FXST, FXSTC, FXSTS
	69127-97	BRACKET, enrichment cable/auxiliary lamp switch	FLSTS
<b>INTERNATIONAL MODELS ONLY</b>			
29	946	SCREW (HDI) (3)	ALL
30	24925-95	PLUG (HDI) (2)	ALL
31	29062-95B	GASKET (HDI)	ALL
32	29313-95	GASKET (HDI)	ALL
33	29319-95A	BACKPLATE, w/ 29323-95 (HDI)	ALL
34	29323-95	INLET, snorkel (HDI)	ALL
35	29325-95A	FILTER ELEMENT (HDI)	ALL

## ALTERNATOR & REGULATOR



[View interactive image](#)

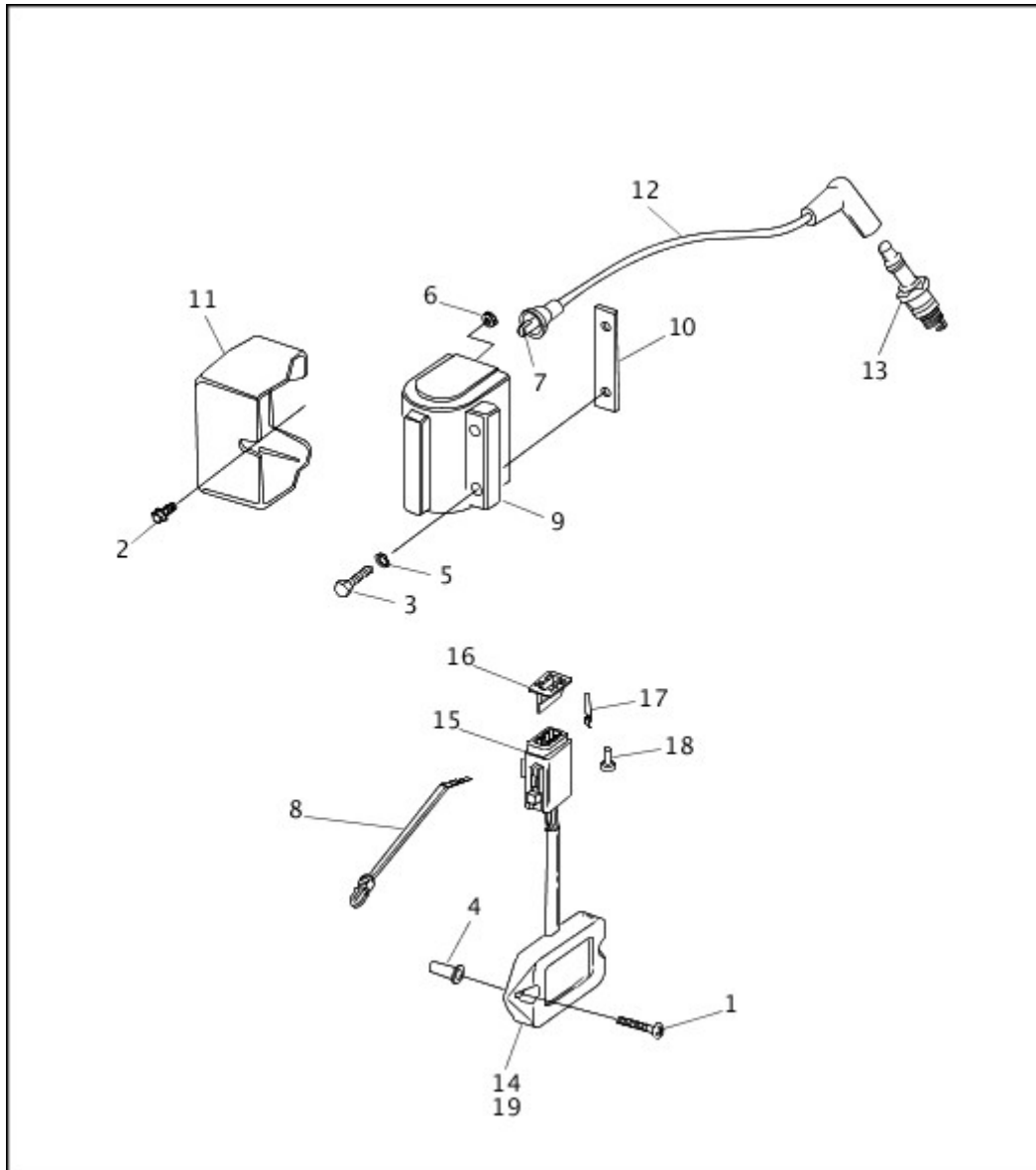
[View interactive table](#)

INDEX NO.	PART NO.	DESCRIPTION	MODEL(S)
1	2273A	SCREW (2)	ALL

INDEX NO.	PART NO.	DESCRIPTION	MODEL(S)
2	2720	SCREW (4)	ALL
3	4134	SCREW	ALL
4	7124	LOCKWASHER	ALL
5	7688	NUT (2)	ALL
6	9840	TERMINAL, #10 ring, 12 -14 gauge	ALL
7	9866	WIRE TERMINAL, ring type	ALL
8	10006	CABLE STRAP	ALL
9	29954-71A	RETAINER, alternator plug	ALL
10	29957-81B	ROTOR ASSEMBLY	ALL
11	29961-85	SPACER	ALL
12	29970-88D	STATOR	ALL
13	35854-96	SPACER, sprocket shaft, w/ hex O.D. 0.070 thick	ALL
14	70041-95	CABLE, regulator ground	ALL
15	72242-94	TERMINAL, 1/4 inch ring, internal star, 10-12 gauge	ALL
16	72249-94	HEAT SHRINK TUBING, dual wall, 0.7 x 2 inch	ALL
17	74519-88A	REGULATOR	ALL

## IGNITION MODULE & COIL





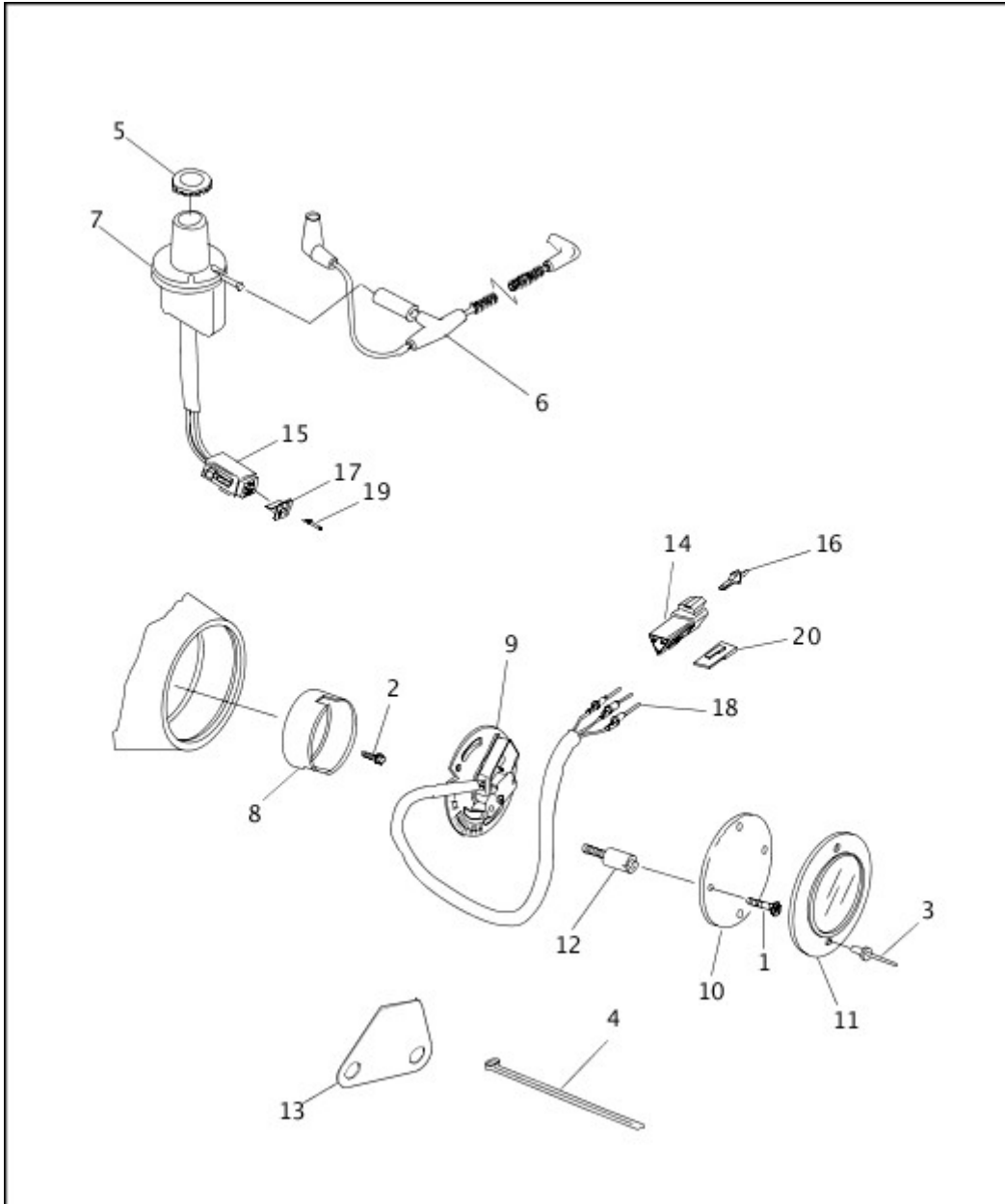
View interactive image

View interactive table

INDEX NO.	PART NO.	DESCRIPTION	MODEL(S)
1	949	SCREW (2)	ALL
2	3602A	SCREW, w/ washer (2)	ALL
3	3993	BOLT (2)	ALL
4	5207	WELL NUT (2)	ALL
5	7036	WASHER (2)	ALL
6	7629	NUT (2)	ALL
7	9908	TERMINAL, spark plug cable (2)	ALL
8	10177	CABLE STRAP, w/ plug-in retainer	ALL

INDEX NO.	PART NO.	DESCRIPTION	MODEL(S)
9	31614-83A	IGNITION COIL	ALL
10	31727-85	NUT PLATE	ALL
11	31701-98	IGNITION COIL COVER (black wrinkle)	FXSTB
	31800-78A	IGNITION COIL COVER KIT (chrome)	FLSTC, FLSTF, FLSTS, FXST, FXSTC, FXSTS
12	31983-71C	SPARK PLUG CABLE, rear cylinder	ALL
	31985-91A	SPARK PLUG CABLE, front cylinder	ALL
13	32311-83	SPARK PLUG, No. 5R6A (2)	ALL
14	32449-95C	IGNITION MODULE, w/ connector assembly	ALL
15	72118-94BK	PLUG, 8-way socket	ALL
16	72158-94	SOCKET LOCK, 8-way	ALL
17	72191-94	TERMINAL, socket (7)	ALL
18	72195-94	SEAL PIN	ALL
<b>INTERNATIONAL MODELS ONLY</b>			
19	32484-96	IGNITION MODULE, w/ connector assembly (Switzerland)	ALL

## **CAM POSITION SENSOR & VACUUM SWITCH**



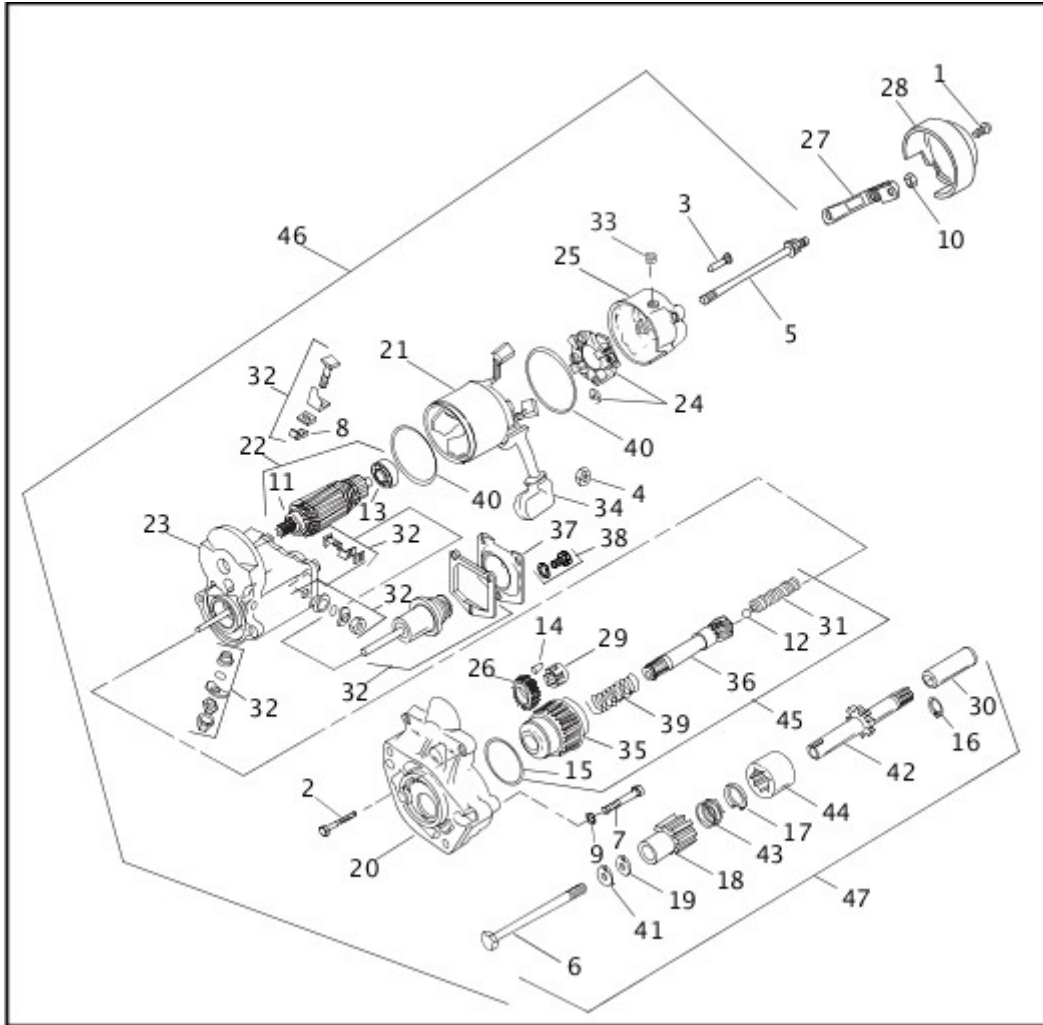
[View interactive image](#)

[View interactive table](#)

INDEX NO.	PART NO.	DESCRIPTION	MODEL(S)
1	1601	SCREW (2)	ALL
2	2611C	BOLT	ALL
3	8699	RIVET, timer cover (2)	ALL
4	10065	CABLE STRAP	ALL
	10073	CABLE STRAP	ALL
5	11192	RETAINING RING	ALL
6	26563-95	VACUUM HOSE ASSEMBLY	ALL

INDEX NO.	PART NO.	DESCRIPTION	MODEL(S)
7	26566-96	VACUUM SWITCH, w/ connector assembly	ALL
8	32402-83	ROTOR, cam position	ALL
9	32448-95B	SENSOR ASSEMBLY, cam position/vehicle attitude	ALL
10	32504-80A	TIMER COVER, inner	ALL
11	32524-83	TIMER COVER (silver)	FLSTC, FLSTF, FLSTS, FXST, FXSTC, FXSTS
	32727-98	TIMER COVER (black)	FXSTB
12	32606-82	SCREW, sensor plate (2)	ALL
13	38713-97	RETAINER, sensor wire	ALL
14	72103-94BK	RECEPTACLE, 3-way	ALL
15	72112-94BK	PLUG, 2-way socket	ALL
16	72143-94	SECONDARY LOCK, 3-way receptacle	ALL
17	72152-94	SOCKET LOCK, secondary, 2-way	ALL
18	72190-94	TERMINAL, pin (3)	ALL
19	72191-94	TERMINAL, socket (2)	ALL
20	72199-94	ATTACHMENT CLIP	ALL

## STARTER MOTOR



[View interactive image](#)

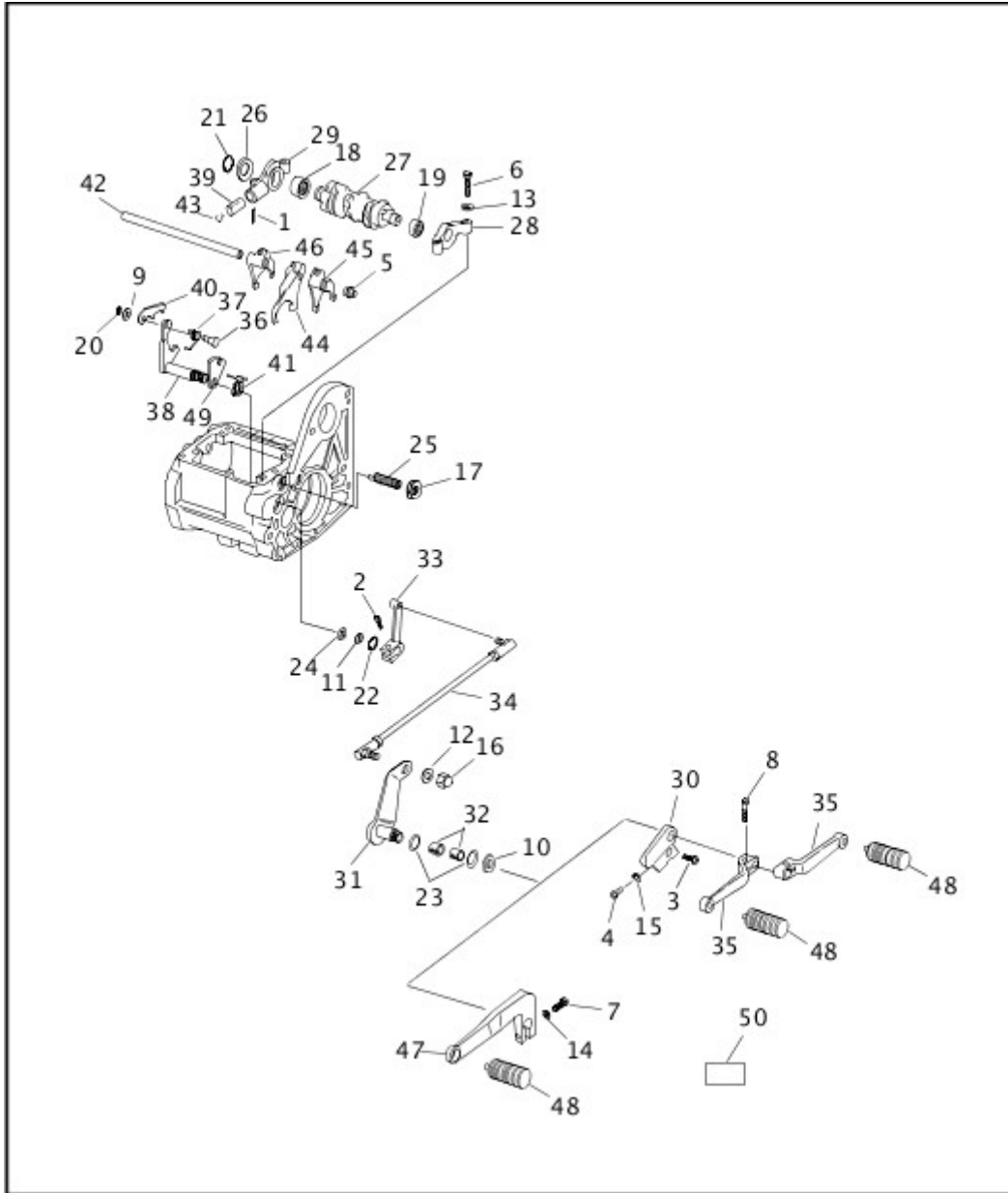
[View interactive table](#)

INDEX NO.	PART NO.	DESCRIPTION	MODEL(S)
1	925	SCREW, cover	ALL
2	928	BOLT, starter (use 31553-94B) (2)	ALL
3	929A	SCREW (2)	ALL
4	3403	LOCKNUT, flange	ALL
5	3559	BOLT, starter (2)	ALL
6	4358A	SCREW	ALL
7	4326A	SCREW (2)	ALL
8	6217	WASHER (use 31604-91A) (2)	ALL
9	7041	LOCKWASHER (2)	ALL
10	7838	NUT (2)	ALL

INDEX NO.	PART NO.	DESCRIPTION	MODEL(S)
11	8871	BALL BEARING	ALL
12	8879	BALL	ALL
13	8883	BALL BEARING	ALL
14	9077	CLUTCH ROLLER (5)	ALL
15	10957	O-RING (use 31516-94A)	ALL
16	11182	RETAINING RING	ALL
17	11248	RETAINING RING	ALL
18	31342-94	PINION GEAR	ALL
19	31430-94	WASHER, thrust	ALL
20	31510-90	HOUSING, starter	ALL
21	31521-98	YOKE ASSEMBLY, starter (use 31553-94B)	ALL
22	31515-90	ARMATURE ASSEMBLY, w/ 8871 & 8883	ALL
23	31538-98	SWITCH KIT, magnetic	ALL
24	31518-90	BRUSH HOLDER ASSEMBLY, w/ spring	ALL
25	31519-90	FRAME, starter end	ALL
26	31525-90	IDLER GEAR (use 31553-94B)	ALL
27	31527-90	BRACKET, cover	ALL
28	31535-91	COVER (chrome)	FLSTC, FLSTF, FLSTS, FXST, FXSTC, FXSTS
	31703-98	COVER (black wrinkle)	FXSTB
29	31530-90	RETAINER, idler gear	ALL
30	31548-90	COUPLING	ALL

INDEX NO.	PART NO.	DESCRIPTION	MODEL(S)
31	31600-90	SPRING, return (use 31516-94A)	ALL
32	31604-91A	STARTER SOLENOID REPAIR KIT	ALL
33	31660-90	DRAIN VENT	ALL
34	31662-90	BOOT, insulating	ALL
35	31663-90	CLUTCH, starter (use 31516-94A)	ALL
36	31664-94	SHAFT, output (use 31516-94A)	ALL
37	31688-90	COVER, solenoid	ALL
38	31689-90	BOLT, w/ washer (3)	ALL
39	31692-90	SPRING	ALL
40	31695-90	O-RING (2)	ALL
41	33126-94	LOCKPLATE	ALL
42	33127-94	SHAFT, extension	ALL
43	33449-94	SPRING, pinion gear	ALL
44	60647-94	COUPLING (use 31612-09)	ALL
45	31516-94A	CLUTCH ASSEMBLY, starter w/ 8879, 10957, 31663-90, 31664-94 & 31692-90	ALL
46	31553-94B	STARTER, complete (black texture)	FLSTC, FLSTF, FLSTS, FXST, FXSTC, FXSTS
	31702-98	STARTER, complete (black wrinkle) (use 31553-94B)	FXSTB
47	31612-09	JACKSHAFT KIT, starter, w/ 6, 16, 17, 18, 19, 30, 41, 42, 43 & 44	ALL

## GEAR SHIFTER (1 OF 2)



[View interactive image](#)

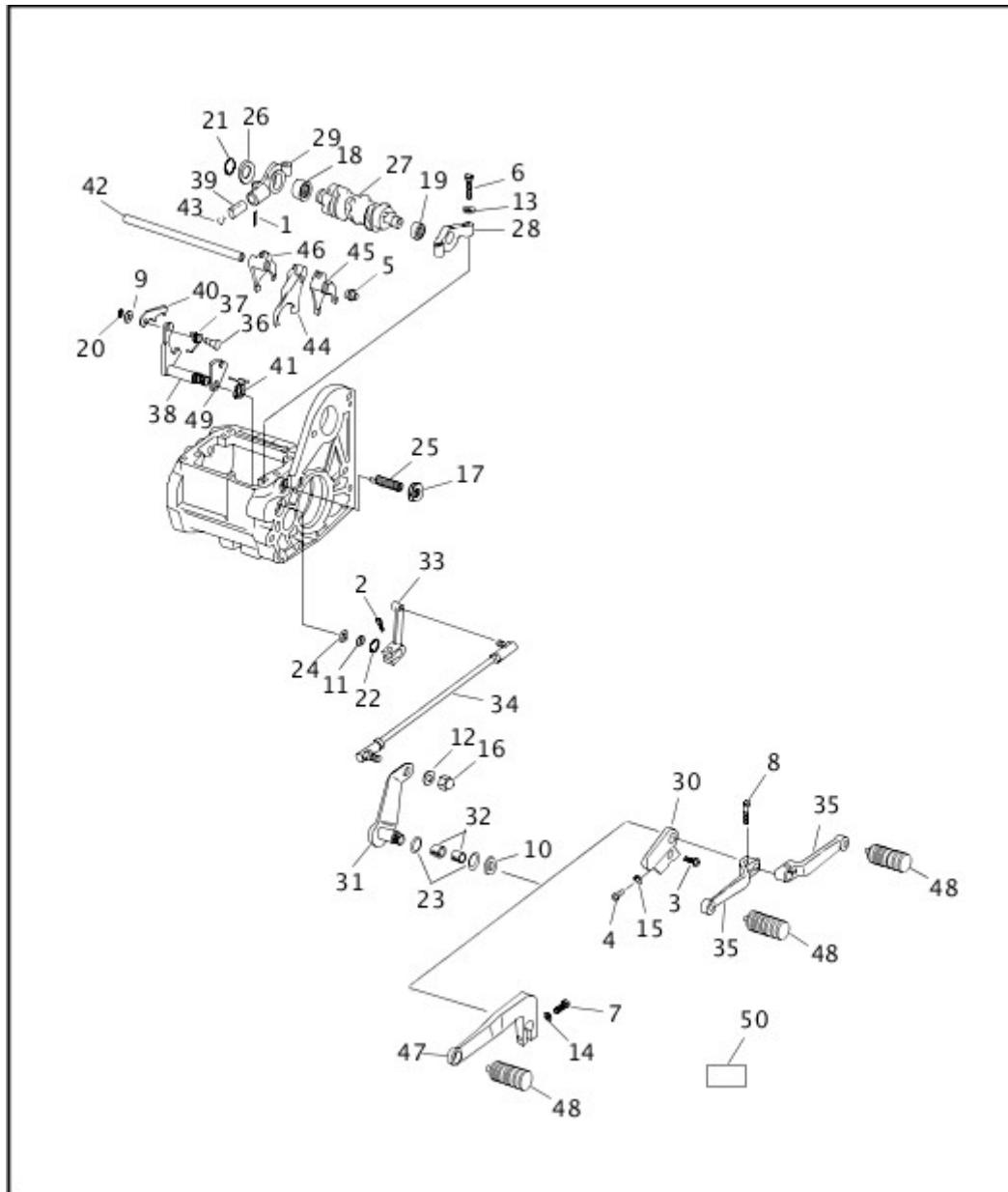
[View interactive table](#)

INDEX NO.	PART NO.	DESCRIPTION	MODEL(S)
1	601	ROLL PIN	ALL
2	856A	SCREW	ALL
3	3691	SCREW	FLSTC, FLSTF, FLSTS
4	2902	SCREW	FLSTC, FLSTF, FLSTS
5	3784	SET SCREW, shift fork shaft, left	ALL
6	3993	BOLT (4)	ALL
7	4017	BOLT	FXST, FXSTB, FXSTC, FXSTS



INDEX NO.	PART NO.	DESCRIPTION	MODEL(S)
8	4741A	SCREW (2)	FLSTC, FLSTF, FLSTS
9	6016	WASHER (as required)	ALL
10	6057	WASHER, nylon	ALL
11	6497HW	WASHER	ALL
12	6702	WASHER	ALL
13	6736	WASHER (4)	ALL
14	7041	LOCKWASHER	FXST, FXSTB, FXSTC, FXSTS
15	7230	LOCKWASHER	FLSTC, FLSTF, FLSTS
16	7507	ACORN NUT	ALL
17	7515	JAMNUT	ALL
18	9114	NEEDLE BEARING	ALL
19	9115	NEEDLE BEARING	ALL
20	11016	RETAINING RING	ALL
21	11083	RETAINING RING	ALL
22	11150	RETAINING RING	ALL
23	11191	O-RING (2)	ALL
24	12045	SEAL	ALL
25	33119-79B	ADJUSTING SCREW, shifter arm	ALL
26	33205-80	THRUST WASHER, 0.017 thick (as required)	ALL
	33206-80	THRUST WASHER, 0.020 thick (as required)	ALL
	33207-80	THRUST WASHER, 0.022 thick (as required)	ALL
	33208-80	THRUST WASHER, 0.025 thick (as required)	ALL
	33209-80	THRUST WASHER, 0.028 thick (as required)	ALL
	33210-80	THRUST WASHER, 0.031 thick (as required)	ALL
	33211-80	THRUST WASHER, 0.035 thick (as required)	ALL
	33212-80	THRUST WASHER, 0.039 thick (as required)	ALL
27	33320-98	SHIFTER CAM	ALL
28	33326-79A	SUPPORT, shifter cam, left	ALL
29	33332-79	SUPPORT, shifter cam, right	ALL

## GEAR SHIFTER (2 OF 2)



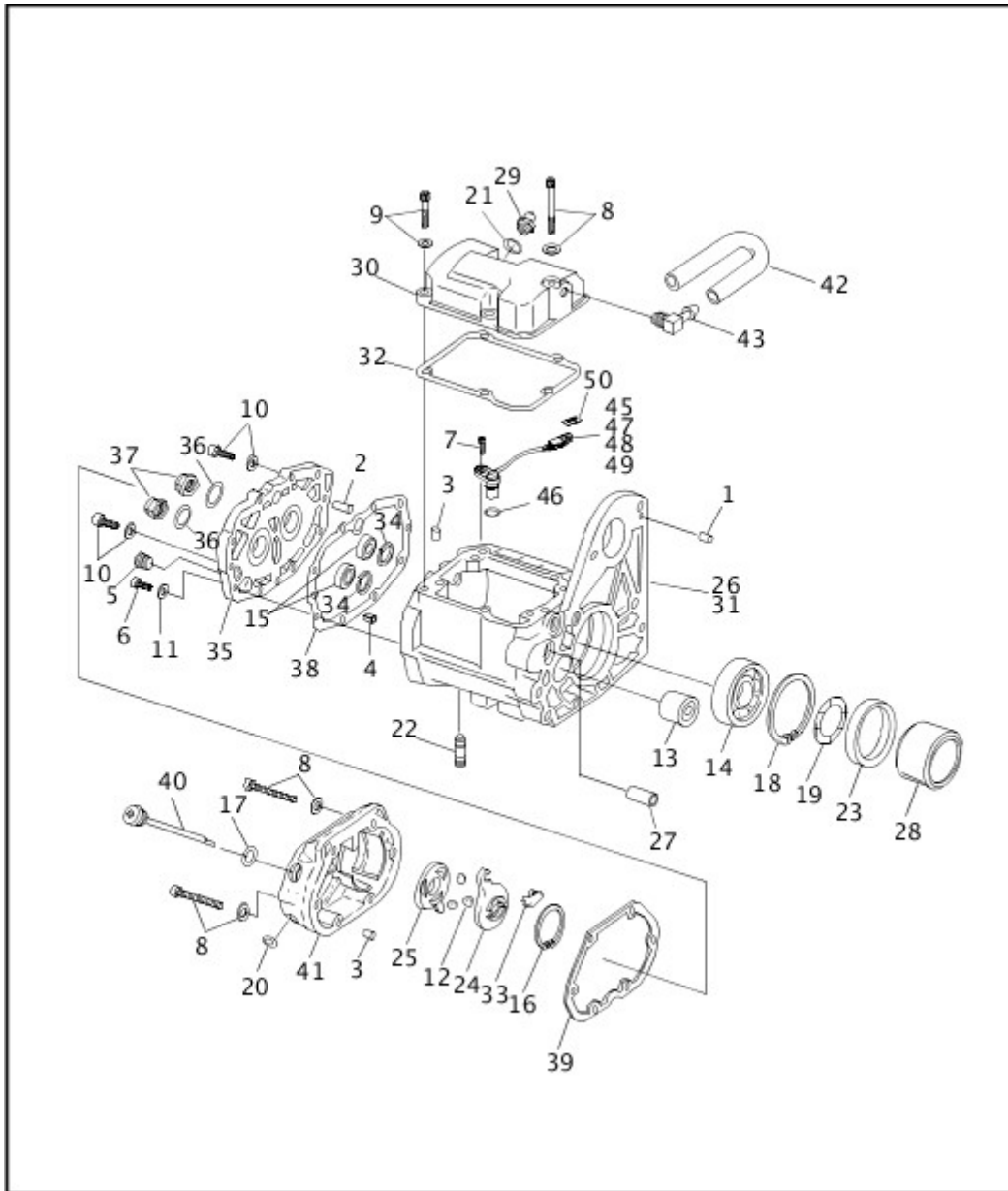
[View interactive image](#)

[View interactive table](#)

INDEX NO.	PART NO.	DESCRIPTION	MODEL(S)
30	33642-89	COVER ASSEMBLY, shifter (chrome)	FLSTC, FLSTF, FLSTS
31	33660-90B	SHIFT LEVER (chrome)	FXST, FXSTB, FXSTC, FXSTS
	33668-90C	SHIFT LEVER (chrome)	FLSTC, FLSTF, FLSTS
32	33708-94	BEARING SLEEVE (2)	ALL
33	33715-85A	LEVER, shifter rod	FLSTC, FLSTF, FXST, FXSTB, FXSTC, FXSTS
	33849-97	LEVER, shifter rod	FLSTS

INDEX NO.	PART NO.	DESCRIPTION	MODEL(S)
34	33719-79B	SHIFTER ROD	FLSTC, FLSTF, FXST, FXSTB, FXSTC, FXSTS
	33670-97	SHIFTER ROD	FLSTS
35	33895-82D	SHIFT LEVER (chrome) (2)	FLSTC, FLSTF, FLSTS
36	34082-79	PIN, shifter shaft lever (use 34084-86A)	ALL
37	34083-79	SPRING, shifter shaft lever	ALL
38	34084-86A	LEVER, shifter shaft, w/ 36 & 37	ALL
39	34085-79A	CAM FOLLOWER	ALL
40	34086-79	PAWL, shifter cam	ALL
41	34087-79A	SPRING, shifter shaft	ALL
42	34088-87A	SHAFT, shifter fork	ALL
43	34089-79	SPRING	ALL
44	34191-79E	SHIFTER FORK	ALL
45	34193-79E	SHIFTER FORK	ALL
46	34195-79E	SHIFTER FORK	ALL
47	34564-90B	SHIFT LEVER (chrome)	FXST, FXSTB, FXSTC, FXSTS
48	34611-65A	PEG, shift lever	FXST, FXSTB, FXSTC, FXSTS
48	34611-65A	PEG, shift lever (2)	FLSTC, FLSTF, FLSTS
49	35068-79	PLATE	ALL
<b>INTERNATIONAL MODELS ONLY</b>			
50	14270-92	DECAL, shift pattern (Japan)	ALL

## TRANSMISSION HOUSING (1 OF 2)



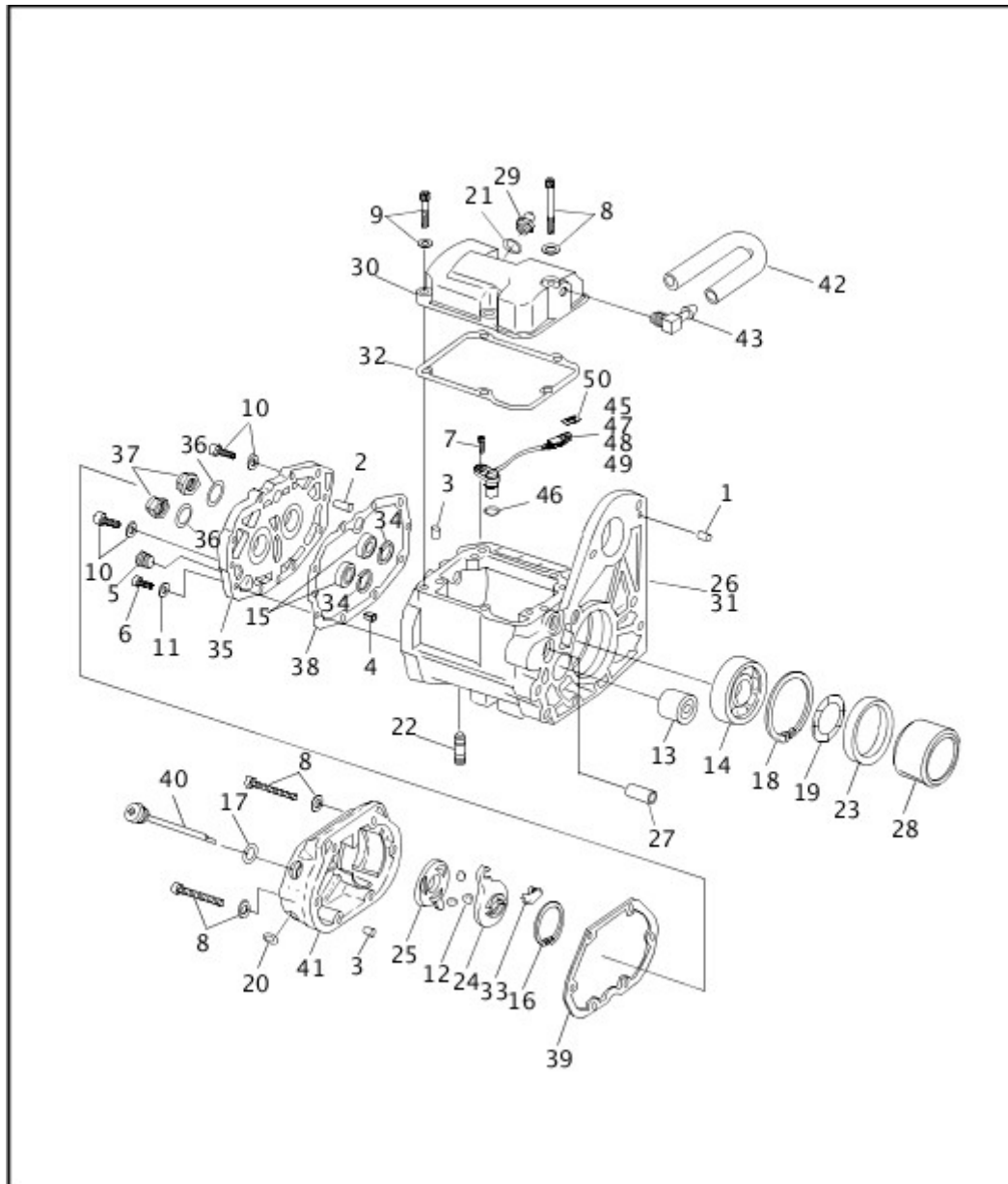
[View interactive image](#)

[View interactive table](#)

INDEX NO.	PART NO.	DESCRIPTION	MODEL(S)
1	337	DOWEL PIN	ALL
2	375	DOWEL PIN	ALL
3	609	PIN (6)	ALL
4	634	PIN	ALL
5	739A	PLUG, magnetic	ALL
6	3210A	SCREW (2)	FLSTS
6	3210A	SCREW (4)	FLSTC, FLSTF, FXST, FXSTB, FXSTC, FXSTS

INDEX NO.	PART NO.	DESCRIPTION	MODEL(S)
7	3594	SCREW	ALL
8	4717A	SCREW (5)	ALL
9	4740A	SCREW (4)	ALL
10	4814A	SCREW (2)	ALL
11	6016	WASHER (6)	ALL
12	8873	BALL (3)	ALL
13	8977	NEEDLE BEARING	ALL
14	8996A	BALL BEARING, mainshaft, left side	ALL
15	8992A	BALL BEARING (2)	ALL
16	10998	RETAINING RING	ALL
17	11132A	O-RING, filler plug	ALL
18	11161	RETAINING RING, ball bearing	ALL
19	11165	QUAD SEAL, ball bearing	ALL
20	11179	O-RING, clutch cable	ALL
21	11290	O-RING	ALL
22	11733A	STUD (5)	ALL
23	12067B	OIL SEAL, mainshaft, left side	ALL
24	25452-87A	INNER RAMP	ALL
25	25453-87A	OUTER RAMP	ALL
26	33005-99	TRANSMISSION ASSEMBLY (silver painted)	FXST
	33006-99	TRANSMISSION ASSEMBLY (chrome & black)	FLSTC, FLSTF, FXSTC, FXSTS
	33007-99	TRANSMISSION ASSEMBLY (chrome & black)	FLSTS
	33051-99	TRANSMISSION ASSEMBLY (black wrinkle)	FXSTB
27	33114-79	SPACER	ALL
28	33344-94	SPACER, sprocket	ALL
29	33902-98A	SWITCH, neutral indicator, w/ O-ring	ALL
30	34468-98A	COVER, upper (chrome)	FLSTC, FLSTF, FLSTS, FXSTC, FXSTS
	34519-98	COVER, upper (black wrinkle)	FXSTB
	34777-99	COVER, upper (silver painted)	FXST

## TRANSMISSION HOUSING (2 OF 2)



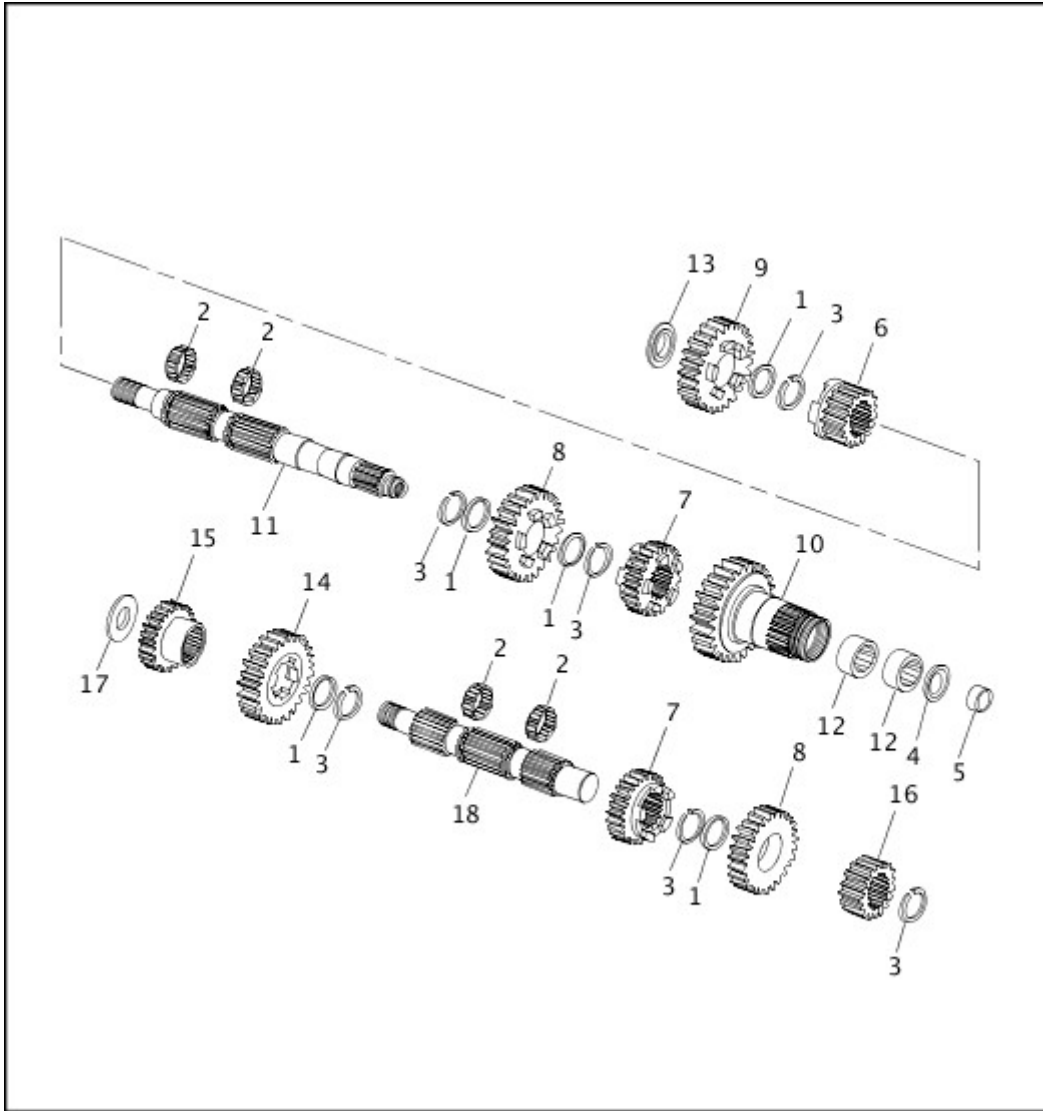
[View interactive image](#)

[View interactive table](#)

INDEX NO.	PART NO.	DESCRIPTION	MODEL(S)
31	34732-96	HOUSING (black)	FLSTC, FLSTF, FLSTS, FXSTB, FXSTC, FXSTS
	34774-99	HOUSING (silver painted)	FXST
32	34904-86D	GASKET, upper cover	ALL
33	34920-86A	COUPLING	ALL
34	35087-99A	RETAINING RING, bearing (2)	ALL

INDEX NO.	PART NO.	DESCRIPTION	MODEL(S)
35	35258-87D	BEARING HOUSING ASSEMBLY, w/ 3, 15 & 34 (black)	FLSTC, FLSTF, FLSTS, FXSTB, FXSTC, FXSTS
	35266-99	BEARING HOUSING ASSEMBLY, w/ 3, 15 & 34 (silver)	FXST
36	35076-79	SPACER (2)	ALL
37	35078-79	NUT, mainshaft & countershaft	ALL
38	35652-79B	GASKET, bearing housing	ALL
39	36801-87C	GASKET, right side cover	ALL
40	37071-87	FILLER PLUG (use 37075-87) (polished)	FXST
	37075-87	FILLER PLUG (replaces 37071-87) (chrome)	FLSTC, FLSTF, FLSTS, FXST, FXSTB, FXSTC, FXSTS
41	37105-87A	CLUTCH RELEASE COVER (chrome)	FLSTC, FLSTF, FLSTS, FXSTC, FXSTS
	37186-98	CLUTCH RELEASE COVER (black wrinkle)	FXSTB
	37232-99	CLUTCH RELEASE COVER (silver painted)	FXST
42	42533-91A	VENT HOSE	ALL
43	62375-57A	FITTING, upper cover	ALL
44	3300	SCREW (not shown) (2)	FLSTS
45	74437-96B	SENSOR, speedometer, w/ 46-50	ALL
46	11140	O-RING	ALL
47	72143-94	SECONDARY LOCK, 3-way receptacle	ALL
48	72163-94BK	RECEPTACLE, 3-way pin	ALL
49	72190-94	TERMINAL, pin (3)	ALL
50	72199-94	ATTACHMENT CLIP	ALL

## TRANSMISSION GEARS



[View interactive image](#)

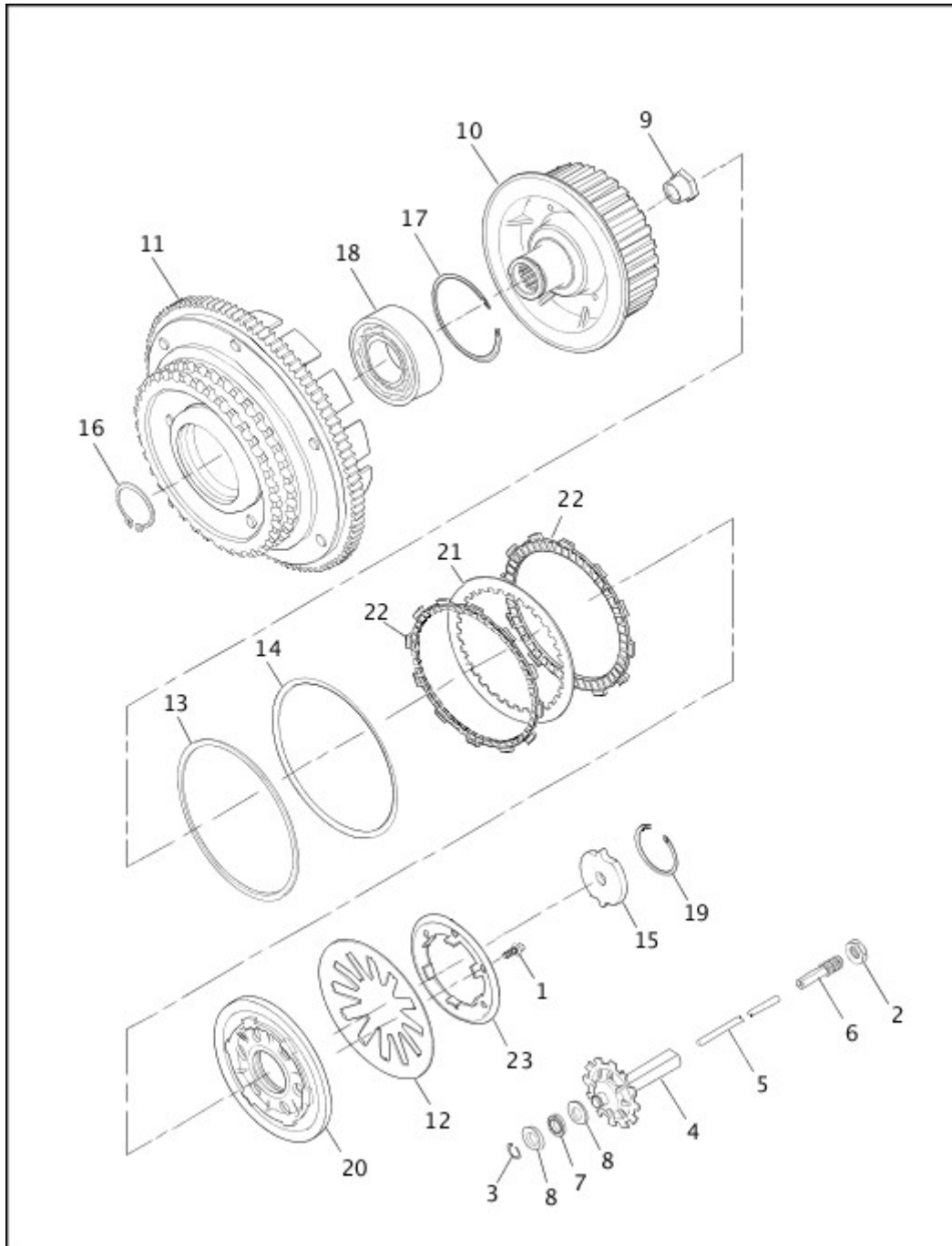
[View interactive table](#)

INDEX NO.	PART NO.	DESCRIPTION	MODEL(S)
1	6003	WASHER (5)	ALL
2	8876A	WASHER (4)	ALL
3	11067	RETAINING RING (6)	ALL
4	12035B	OIL SEAL, mainshaft fifth gear	ALL
5	34091-85A	BEARING, inner race	ALL
6	35025-79B	FIRST GEAR, mainshaft	ALL
7	35026-94	GEAR, mainshaft 2nd & countershaft 3rd (2)	ALL
8	35027-94	GEAR, mainshaft 3rd & countershaft 2nd (2)	ALL
9	35028-94	FOURTH GEAR, mainshaft	ALL



INDEX NO.	PART NO.	DESCRIPTION	MODEL(S)
10	35029-94	FIFTH GEAR, mainshaft	ALL
11	35042-91	MAINSHAFT	ALL
12	35051-89A	NEEDLE BEARING (2)	ALL
13	35064-79	SPACER, mainshaft	ALL
14	35622-79C	FIRST GEAR, countershaft	ALL
15	35625-94	FOURTH GEAR, countershaft	ALL
16	35626-94	FIFTH GEAR, countershaft	ALL
17	35629-79	SPACER	ALL
18	35632-79	COUNTERSHAFT	ALL

## CLUTCH



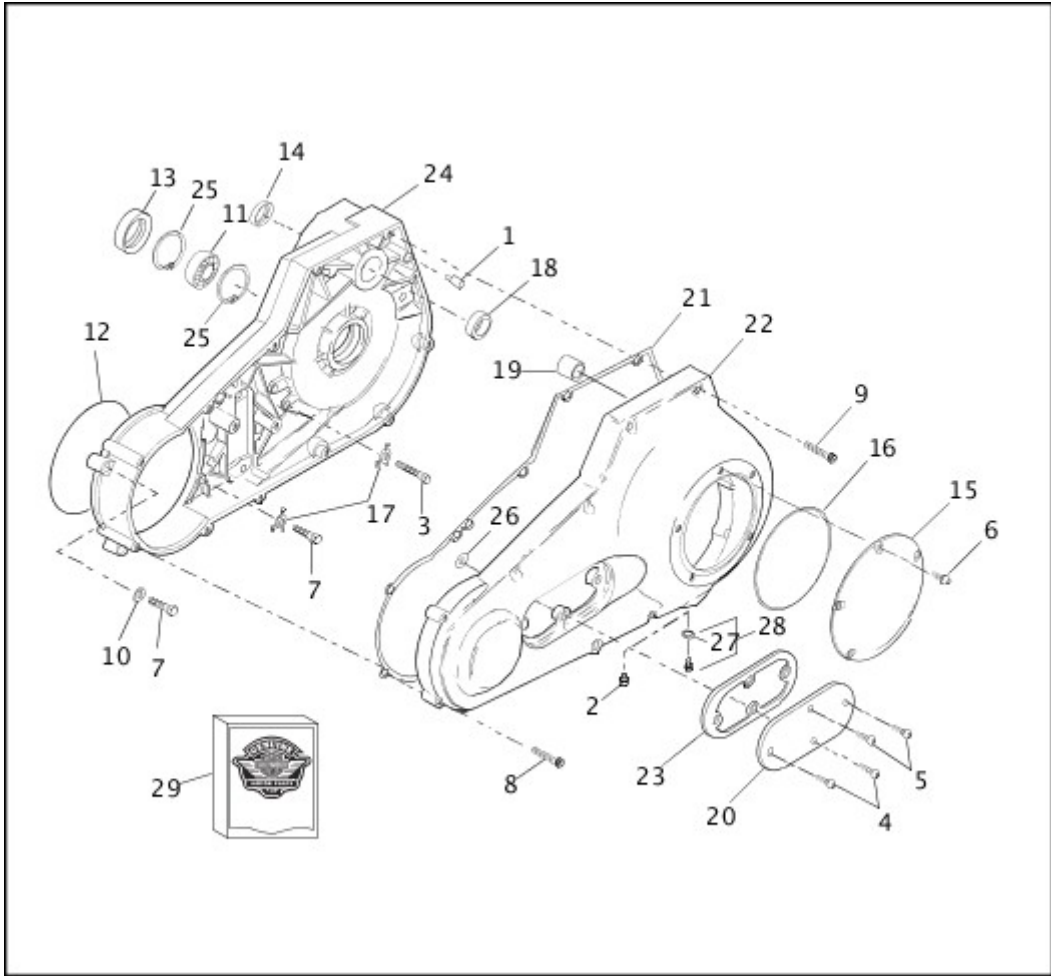
View interactive image

View interactive table

INDEX NO.	PART NO.	DESCRIPTION	MODEL(S)
1	2980	SCREW (6)	ALL
2	7848W	JAMNUT	ALL
3	11096	RETAINING RING	ALL
4	37069-90A	OIL SLINGER ASSEMBLY	ALL
5	37088-90	PUSHROD, clutch release	ALL

INDEX NO.	PART NO.	DESCRIPTION	MODEL(S)
6	37090-98A	END, pushrod, left	ALL
7	37312-75	BEARING, pushrod	ALL
8	37313-80	THRUST WASHER (2)	ALL
9	37496-90A	NUT, mainshaft	ALL
10	37550-98	CLUTCH HUB	ALL
11	37707-98A	CLUTCH SHELL & SPROCKET, w/ 37905-00 & 37906-90	ALL
12	37871-98A	SPRING, diaphragm (white)	ALL
13	37883-98	SEAT, damper spring	ALL
14	37884-98	DAMPER SPRING	ALL
15	37903-90	RELEASE PLATE	ALL
16	37904-90	RETAINING RING, internal	ALL
17	37905-00	RETAINING RING, internal	ALL
18	37906-90	BEARING, ball, double row	ALL
19	37909-90	RETAINING RING, internal	ALL
20	37912-00	PRESSURE PLATE, clutch	ALL
21	37913-98	CLUTCH PLATE (8)	ALL
22	37932-98	FRICTION PLATE KIT, w/ all 9 friction plates	ALL
23	37872-00	SEAT, clutch spring	ALL

## PRIMARY HOUSING



[View interactive image](#)

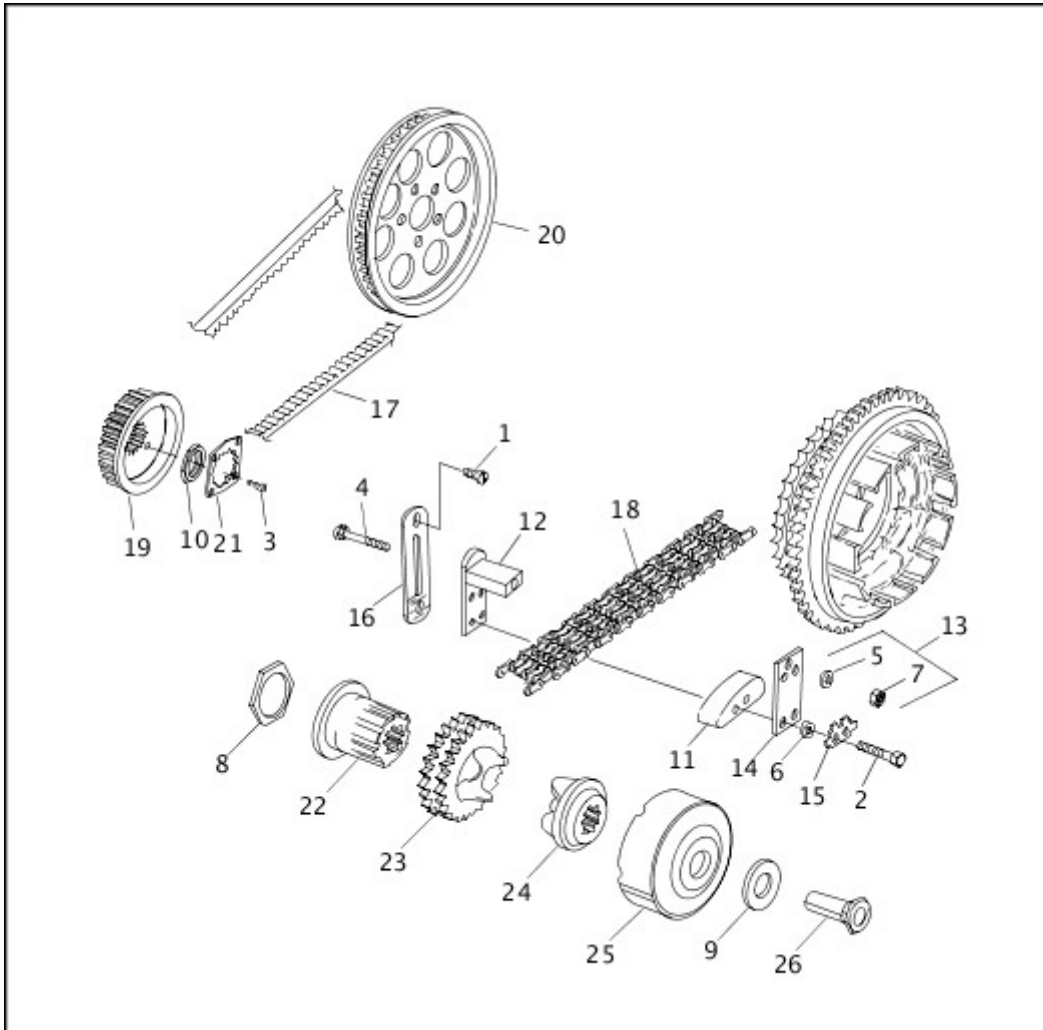
[View interactive table](#)

INDEX NO.	PART NO.	DESCRIPTION	MODEL(S)
1	375	PIN	ALL
2	739A	PLUG, magnetic (used w/ 60543-99, 60721-99 & 60715-99)	ALL
3	858A	BOLT (4)	ALL
4	941	SCREW (2)	ALL
5	945	SCREW (2)	ALL
6	961	SCREW (5)	ALL
7	2932A	SCREW (4)	ALL
8	4740A	SCREW, w/ washer (7)	ALL
9	4820A	SCREW, w/ washer (5)	ALL
10	6016	WASHER (2)	ALL
11	9135	BEARING	ALL

INDEX NO.	PART NO.	DESCRIPTION	MODEL(S)
12	11147B	O-RING, housing cover	ALL
13	12052A	OIL SEAL	ALL
14	12066A	OIL SEAL	ALL
15	25414-99	COVER, clutch (polished)	FXST
	60668-99	COVER, clutch (chrome)	FLSTC, FLSTF, FLSTS, FXSTC, FXSTS
	60713-99	COVER, clutch (black wrinkle)	FXSTB
16	25416-99C	SEAL, clutch cover	ALL
17	33318-85	LOCKING TAB (6)	ALL
18	33445-94A	BUSHING	ALL
19	33446-94A	BUSHING	ALL
20	60572-86	COVER, primary chain inspection (chrome)	ALL
	60714-98	COVER, primary chain inspection (use 60572-86) (black wrinkle)	FXSTB
21	60539-94B	GASKET, primary cover	ALL
22	60543-99	COVER ASSEMBLY, primary, w/ 739A & 33446-94A (use 60543-99B) (chrome)	FLSTC, FLSTF, FLSTS, FXSTC, FXSTS
	60543-99B	COVER ASSEMBLY, primary, w/ 33446-94A & 60391-04 (replaces 60543-99) (chrome)	FLSTC, FLSTF, FLSTS, FXSTC, FXSTS
	60721-99	COVER ASSEMBLY, primary, w/ 739A & 33446-94A (use 60721-99B) (silver)	FXST
	60721-99B	COVER ASSEMBLY, primary, w/ 33446-94A & 60391-04 (replaces 60721-99) (silver)	FXST
	60715-99	COVER ASSEMBLY, primary, w/ 739A & 33446-94A (use 60715-99B) (black wrinkle)	FXSTB
	60715-99B	COVER ASSEMBLY, primary, w/ 33446-94A & 60391-04 (replaces 60715-99) (black wrinkle)	FXSTB
23	60567-90C	GASKET, inspection cover	ALL
24	60630-94B	PRIMARY HOUSING ASSEMBLY (black texture)	FLSTC, FLSTF, FLSTS, FXSTC, FXSTS
	60586-99A	PRIMARY HOUSING ASSEMBLY (silver)	FXST

INDEX NO.	PART NO.	DESCRIPTION	MODEL(S)
	60724-98A	PRIMARY HOUSING ASSEMBLY (black wrinkle)	FXSTB
25	60678-85	RETAINING RING (2)	ALL
26	63859-95B	GASKET (2)	ALL
27	11324	O-RING (used w/ 60391-04)	ALL
28	60391-04	PLUG ASSEMBLY, drain, magnetic, w/ 11324 (used w/ 60543-99B, 60721-99B & 60715-99B)	ALL
29	25700225	GASKET KIT, inner primary	ALL

## BELTS, CHAINS & SPROCKETS

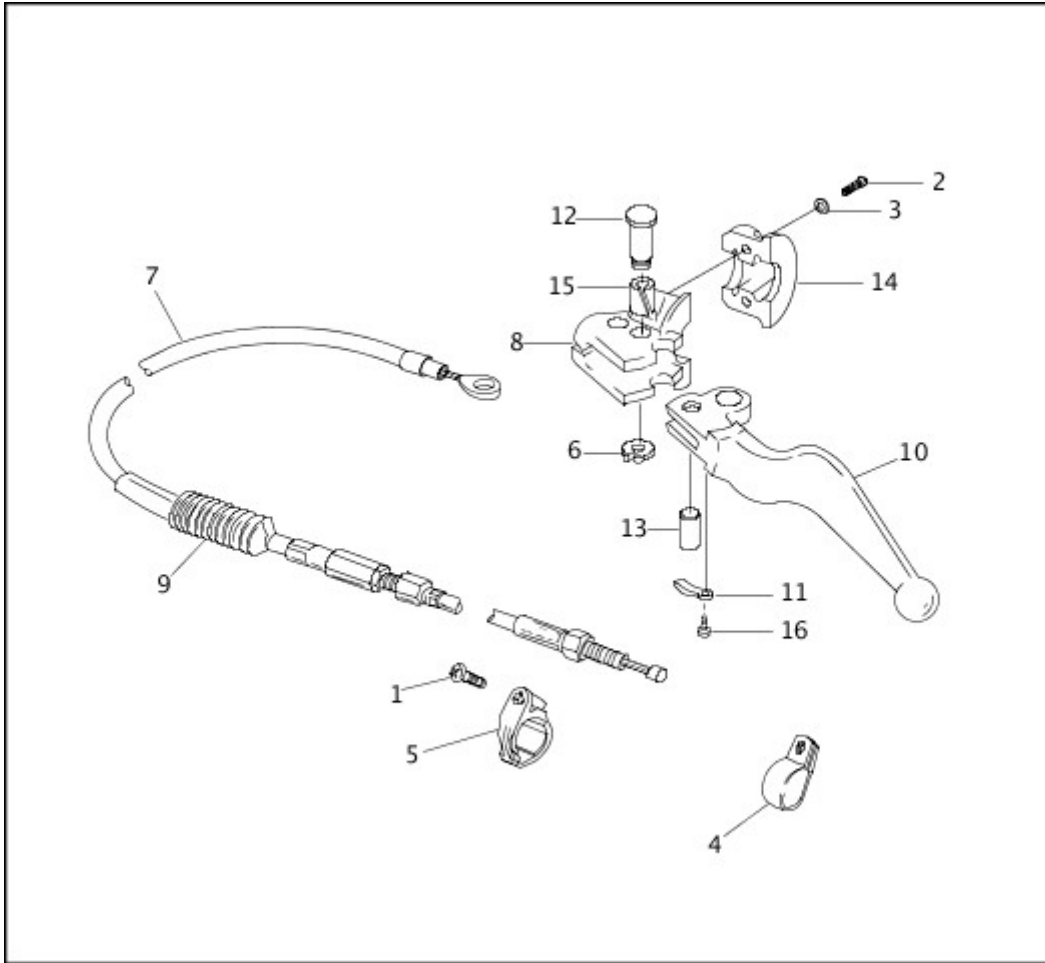


[View interactive image](#)

[View interactive table](#)

INDEX NO.	PART NO.	DESCRIPTION	MODEL(S)
1	1783C	SCREW (2)	ALL
2	2614	BOLT (2)	ALL
3	3594	SCREW (2)	ALL
4	5444	BOLT	ALL
5	6400HB	WASHER	ALL
6	6703	WASHER (2)	ALL
7	7778	LOCKNUT	ALL
8	35854-96	SPACER, sprocket shaft, w/ hex O.D., 0.070 thick	ALL
9	29960-91A	SPACER	ALL
10	35211-91B	NUT, sprocket	ALL
11	39976-65B	PAD, chain tensioner	ALL
12	39990-65	CHAIN TENSIONER	ALL
13	39992-65C	CHAIN TENSIONER MOUNTING KIT, w/ 4, 5 & 7	ALL
14	39993-65	PLATE, chain tensioner	ALL
15	39996-65	LOCKWASHER, chain tensioner plate	ALL
16	39998-65A	ANCHOR PLATE, chain tensioner	ALL
17	40017-94	REAR BELT, 130 T	ALL
18	40007-36B	PRIMARY CHAIN	ALL
19	40250-94C	SPROCKET, transmission, 32 T	ALL
20	40311-94	SPROCKET, rear, 65 T (silver)	FLSTF, FXSTC
	40312-94	SPROCKET, rear, 65 T (black)	FLSTC, FLSTS, FXST, FXSTB, FXSTS
21	40251-92A	LOCKPLATE	ALL
22	40266-85	SHAFT EXTENSION	ALL
23	40308-94	COMPENSATING SPROCKET, 25 T	ALL
24	40299-83A	SLIDING CAM	ALL
25	40384-91	COVER ASSEMBLY, w/ springs	ALL
26	40392-91	NUT	ALL

## CLUTCH CONTROL



[View interactive image](#)

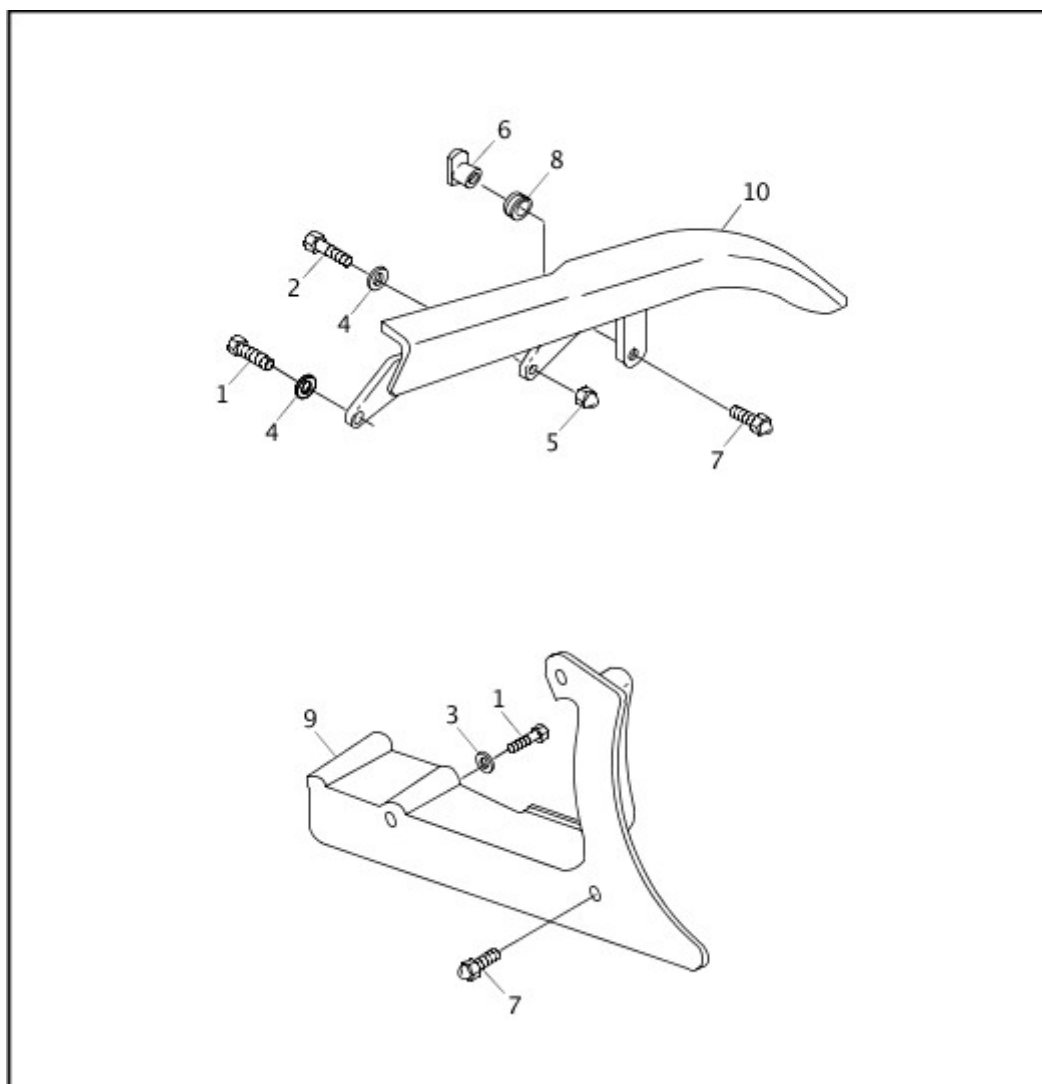
[View interactive table](#)

INDEX NO.	PART NO.	DESCRIPTION	MODEL(S)
1	2562	SCREW	ALL
2	4132	SCREW (2)	ALL
3	6101	WASHER (2)	ALL
4	9990W	CLAMP, clutch cable	ALL
5	10124	CLAMP	ALL
6	11143	RETAINING RING	ALL
7	38607-87A	CABLE, clutch control	FLSTC, FLSTF, FLSTS, FXST, FXSTC, FXSTS
	38647-98	CABLE, clutch control	FXSTB
8	38608-96	BRACKET, hand lever	ALL
9	38630-88	BOOT, clutch cable	ALL



INDEX NO.	PART NO.	DESCRIPTION	MODEL(S)
10	45015-96	HAND LEVER, clutch, w/ 45021-86, 45423-92 & 90770-79	ALL
11	45021-86	SPRING, anti-rattle	ALL
12	45032-82	PIN, hand lever pivot	ALL
13	45036-88	ANCHOR PIN	ALL
14	45044-96A	CLAMP, lever bracket	ALL
15	45423-92	BUSHING	ALL
16	90770-79	SCREW	ALL

## REAR BELT GUARD

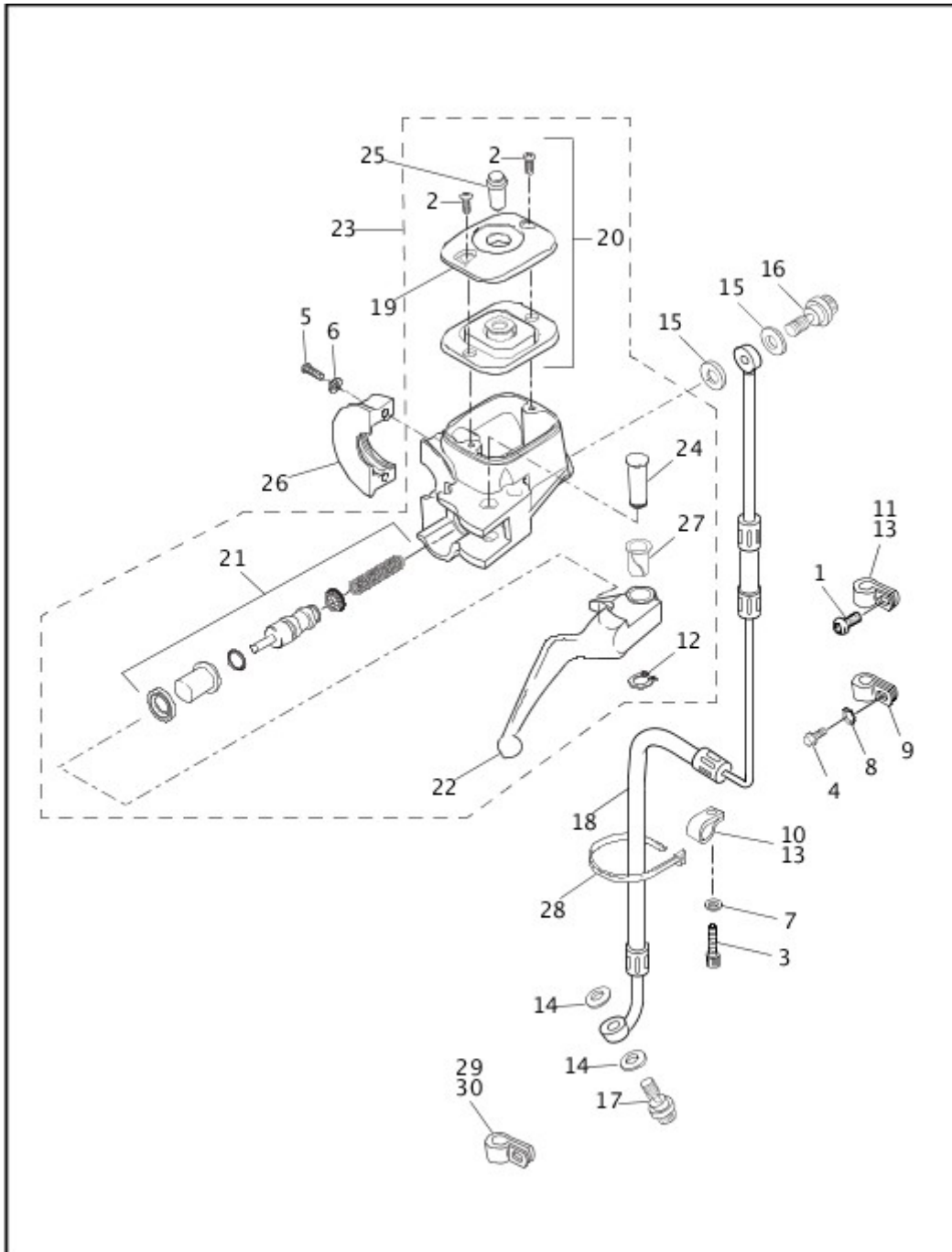


[View interactive image](#)

[View interactive table](#)

INDEX NO.	PART NO.	DESCRIPTION	MODEL(S)
1	2882W	SCREW (2)	ALL
2	3987	BOLT	ALL
3	6109	WASHER	ALL
4	6702	WASHER (2)	ALL
5	7507	ACORN NUT	ALL
6	7669	NUT	ALL
7	7899A	BOLT, acorn (2)	ALL
8	11413	GROMMET	ALL
9	60415-89C	DEBRIS DEFLECTOR	ALL
10	60537-89	BELT GUARD, w/ 1, 4, 6 & 8 (chrome)	FLSTC, FLSTF, FLSTS, FXST, FXSTC, FXSTS
	60564-98	BELT GUARD (black wrinkle)	FXSTB

## FRONT BRAKE CONTROL



View interactive image

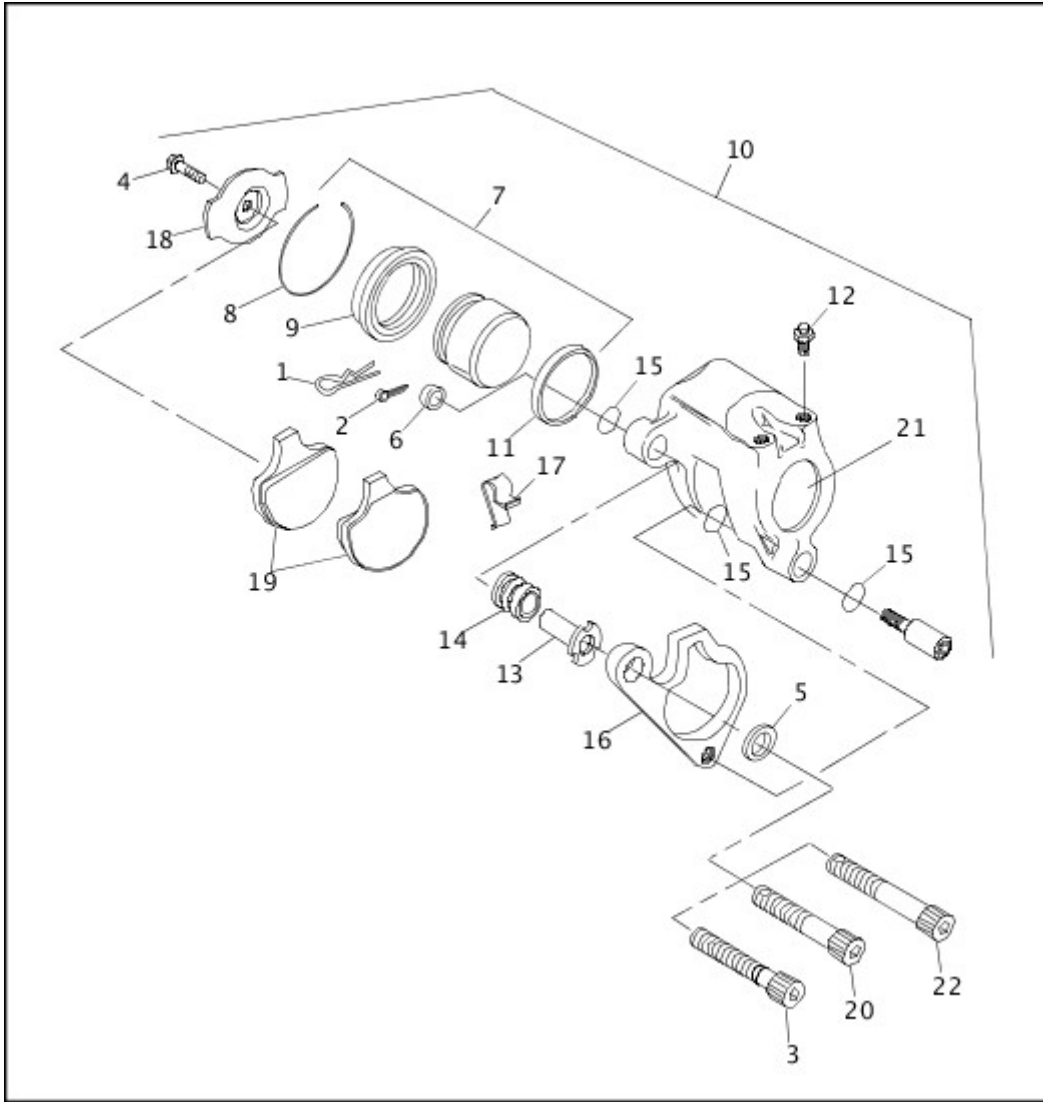
View interactive table

INDEX NO.	PART NO.	DESCRIPTION	MODEL(S)
1	923	SCREW (2)	FLSTC, FLSTF
	3538	SCREW	FLSTS, FXSTS
2	2579A	SCREW (2)	ALL
3	3594	SCREW	FLSTC, FLSTF, FXST, FXSTB, FXSTC, FXSTS

INDEX NO.	PART NO.	DESCRIPTION	MODEL(S)
4	4091	SCREW	FLSTS, FXST, FXSTB, FXSTC
5	4132	SCREW (2)	ALL
6	6101	WASHER (2)	ALL
7	6703	WASHER	FLSTS, FXST, FXSTB, FXSTC, FXSTS
8	7220	LOCKWASHER, external tooth	FXST, FXSTB, FXSTC
9	10031	CLAMP	FXST, FXSTB, FXSTC
10	10053	CLAMP	FLSTC, FLSTF, FXST, FXSTB, FXSTC
11	10076	CLAMP	FLSTS, FXSTS
12	11143	RETAINING RING	ALL
13	41713-86	CLAMP (3)	FLSTC, FLSTF, FXSTS
14	41731-88A	GASKET (2)	ALL
15	41733-88	GASKET, master cylinder (2)	ALL
16	41739-84A	FITTING, master cylinder	ALL
17	41747-82A	FITTING	ALL
18	42303-96	BRAKE LINE, front	FLSTF
	42305-96	BRAKE LINE, front	FLSTC
	45209-97B	BRAKE LINE, front, w/ 10065, 10209, 41731-88A, 41733-88 & 68562-84	FLSTS
	45110-96	BRAKE LINE, front	FXSTS
	45112-96A	BRAKE LINE, front	FXSTC
	45199-99B	BRAKE LINE, front	FXST
	45250-98B	BRAKE LINE, front	FXSTB

INDEX NO.	PART NO.	DESCRIPTION	MODEL(S)
19	45004-96A	COVER, reservoir	ALL
20	45030-03C	COVER KIT, reservoir, w/ 2579A	ALL
21	45006-96C	REPAIR KIT, master cylinder (9/16 inch bore)	ALL
22	45016-96	HAND LEVER, front brake control	ALL
23	45019-96D	MASTER CYLINDER, front, w/ 11143, 45016-96, 45030-03C & 45032-82 (9/16 inch bore)	ALL
24	45032-82	PIVOT PIN	ALL
25	45042-96	SIGHT GLASS	ALL
26	45044-96A	CLAMP, handlebar control	ALL
27	45423-96	BUSHING, lever pivot	ALL
28	10065	CABLE STRAP	ALL
29	68562-84	CLAMP	ALL
30	10209	CLAMP (used w/ 45209-97B)	FLSTS

## FRONT BRAKE CALIPER



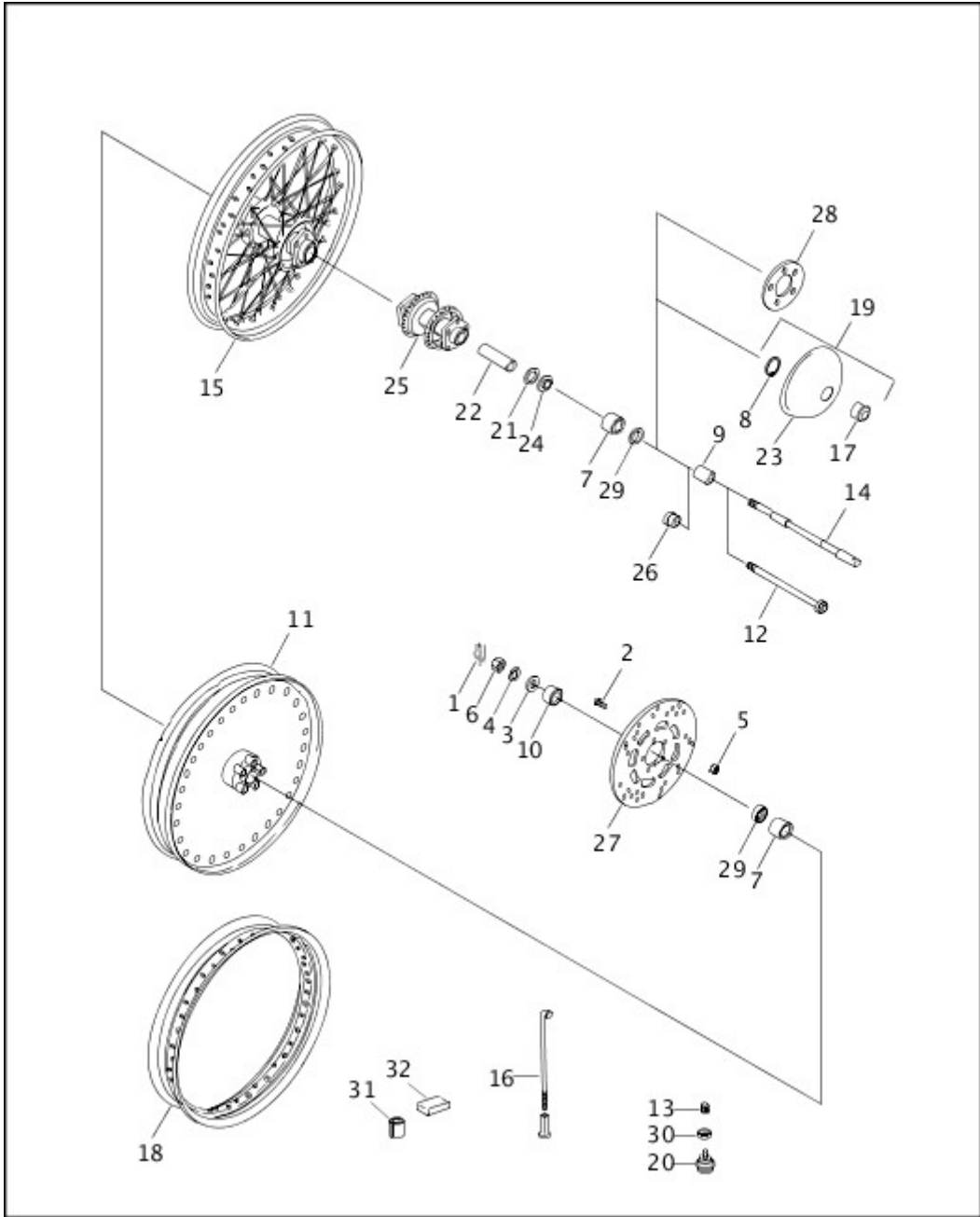
[View interactive image](#)

[View interactive table](#)

INDEX NO.	PART NO.	DESCRIPTION	MODEL(S)
1	509	SPRING PIN	FLSTS
2	534	COTTER PIN	FXSTS
3	855B	SCREW	FLSTC, FLSTF, FXST, FXSTB, FXSTC
4	3562	SCREW	ALL
5	6019	WASHER	ALL
6	6758	WASHER	FXSTS
7	44020-83	PISTON REBUILD KIT, w/ 44021-83, 44022-83 & 44047-83	ALL
8	44021-83	RETAINING RING, piston	ALL

INDEX NO.	PART NO.	DESCRIPTION	MODEL(S)
9	44022-83	DUST BOOT, piston	ALL
10	44046-84C	CALIPER ASSEMBLY, front brake, left	FLSTC, FLSTF, FXST, FXSTB, FXSTC
	44077-88F	CALIPER ASSEMBLY, front brake, right	FXSTS
	44079-97C	CALIPER ASSEMBLY, front brake, left	FLSTS
11	44047-83	SEAL, piston	ALL
12	44048-83	BLEEDER FITTING	ALL
13	44053-83B	GUIDE PIN KIT, w/ 44054-83, 44059-83 & mounting pins	FLSTS, FXSTS
	44053-92A	GUIDE PIN KIT, w/ 44054-83, 44059-83 & mounting pins	FLSTC, FLSTF, FXST, FXSTB, FXSTC
14	44054-83	PIN BOOT	ALL
15	44059-83	O-RING (3)	ALL
16	44072-92A	BRACKET, caliper mounting	FLSTC, FLSTF, FXST, FXSTB, FXSTC
	44074-88B	BRACKET, caliper mounting	FXSTS
	44097-97	BRACKET, caliper mounting	FLSTS
17	44061-83	SPRING CLIP	ALL
18	44062-83	RETAINING PAD	ALL
19	44063-83C	BRAKE PAD SET, front, w/ 3562	ALL
20	44190-88A	SCREW, flange	FXSTS
21	44197-77	LABEL	ALL
22	44215-97A	SCREW, flange	FLSTS

## FRONT WHEEL (1 OF 2)



[View interactive image](#)

[View interactive table](#)

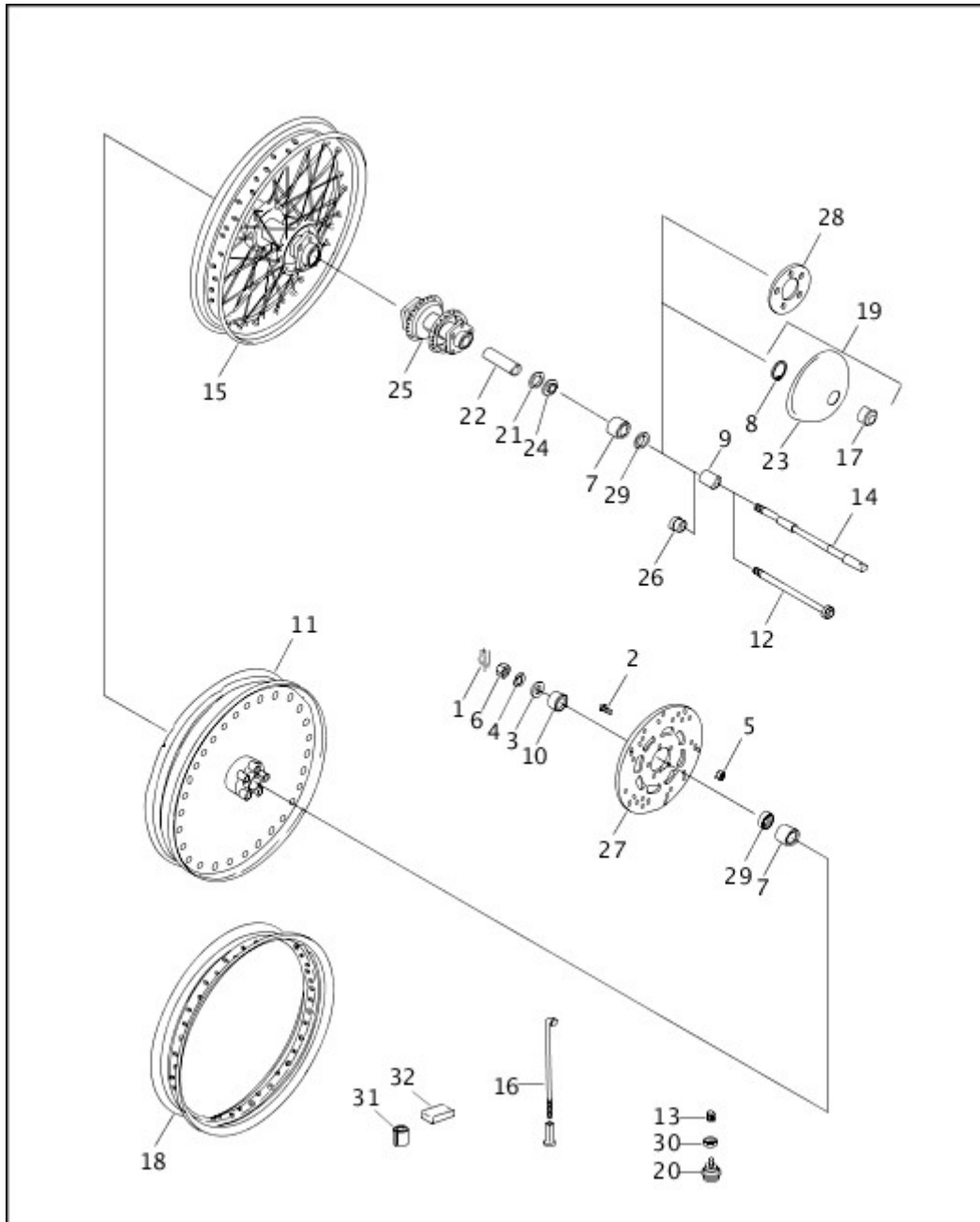
INDEX NO.	PART NO.	DESCRIPTION	MODEL(S)
1	508	RETAINING PIN	FLSTS
2	3655A	SCREW (5)	FLSTC, FXST, FXSTB, FXSTC
2	3655A	SCREW (10)	FLSTF
3	6590HW	WASHER	FLSTC, FLSTF, FXST, FXSTB, FXSTC
	6639	WASHER, left	FXSTS



INDEX NO.	PART NO.	DESCRIPTION	MODEL(S)
4	7068	LOCKWASHER	FLSTC, FLSTF, FXST, FXSTB, FXSTC
5	7739	LOCKNUT (5)	ALL
6	7956	NUT	FLSTC, FLSTF, FXST, FXSTB, FXSTC
	7987	NUT	FLSTS
	7994	LOCKNUT	FXSTS
7	9052	ROLLER BEARING (2)	ALL
8	11280	SNAP RING	FLSTC
9	40910-84B	SPACER, right bearing	FXST, FXSTB, FXSTC
	43624-97	SPACER, right bearing	FLSTS
	43657-89	SPACER, right bearing	FLSTF
10	43360-97	SPACER, left	FLSTS
	43674-95	SPACER, left	FLSTF
	43683-97	SPACER, left	FLSTC, FXST, FXSTB, FXSTC, FXSTS
11	41038-92A	DISC WHEEL ASSEMBLY, 16 inch	FLSTF
12	41109-88A	AXLE, front	FXSTS
	41116-97	AXLE, front	FLSTS
13	41123-79	VALVE CAP	ALL
14	41584-86A	AXLE, front	FLSTC, FLSTF
	43346-83B	AXLE, front	FXSTC
15	43005-86C	WHEEL ASSEMBLY, front, 16 inch laced	FLSTC
	43016-97B	WHEEL ASSEMBLY, front, 16 inch laced	FLSTS
	43671-84C	WHEEL ASSEMBLY, front, 21 inch laced (w/ chrome plated hub)	FXSTB, FXSTC
	43676-88C	WHEEL ASSEMBLY, front, 21 inch laced (w/ chrome plated hub)	FXSTS
	43700-99A	WHEEL ASSEMBLY, front, 21 inch laced (w/ polished hub)	FXST
16	43241-05	SPOKE & NIPPLE SET, 16 inch (40)	FLSTC, FLSTS
	43239-05	SPOKE & NIPPLE SET, 21 inch (40)	FXST, FXSTB, FXSTC, FXSTS

INDEX NO.	PART NO.	DESCRIPTION	MODEL(S)
17	43067-97	CAP, hub (chrome)	FLSTC
18	43085-97	RIM, 16 inch (chrome)	FLSTC, FLSTS
	43662-80B	RIM, 21 inch (chrome)	FXST, FXSTB, FXSTC, FXSTS
19	43155-97	HUB CAP ASSEMBLY, w/ snap ring, spacer & cap	FLSTC
20	43157-83A	VALVE STEM	FLSTF
21	43290-82	SPACER, 0.032 thick	ALL
	43291-82	SPACER, 0.016 thick	ALL
	43292-82	SPACER, 0.008 thick	ALL
	43293-82	SPACER, 0.004 thick	ALL
	43294-82	SPACER, 0.002 thick	ALL

## FRONT WHEEL (2 OF 2)



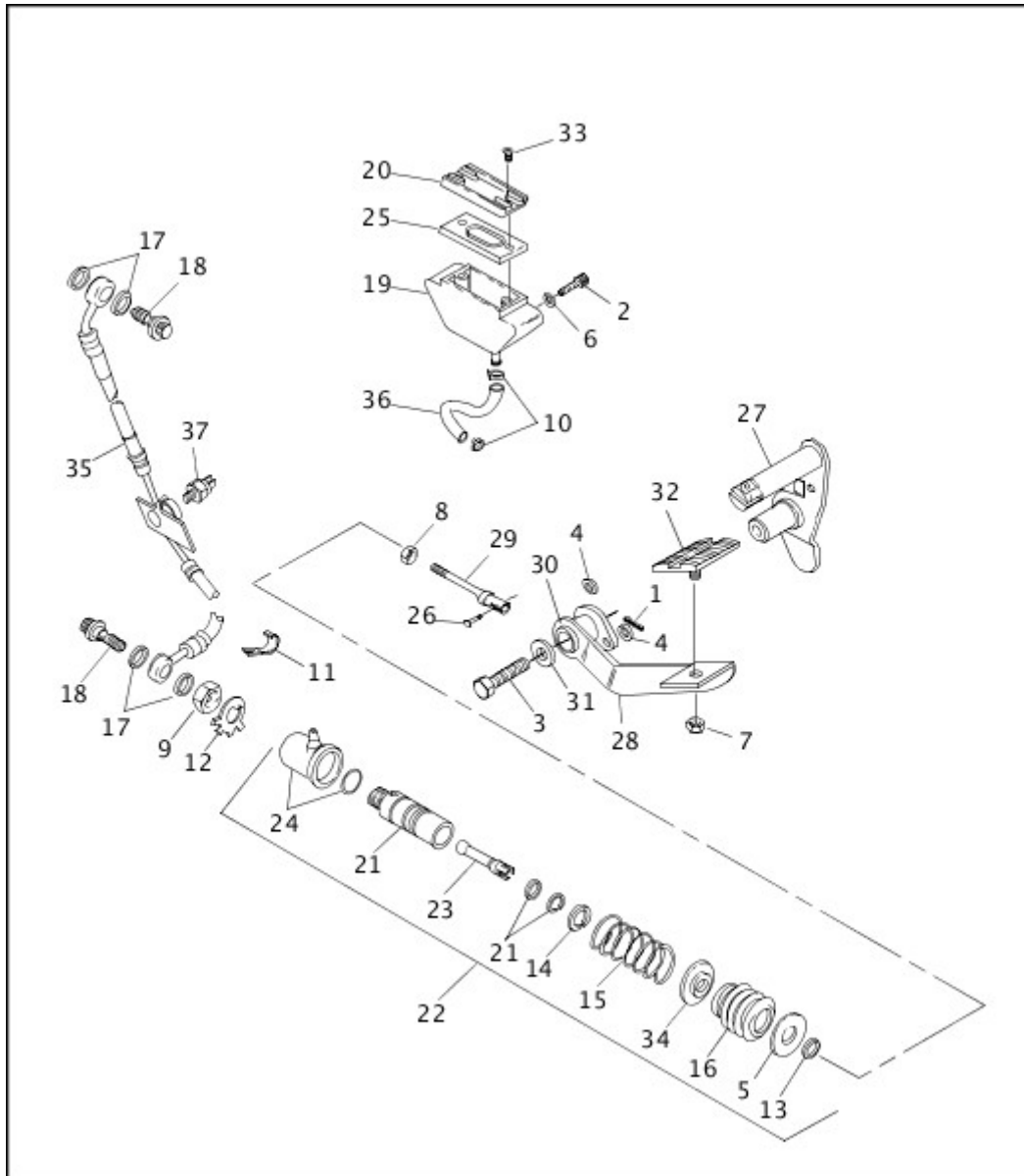
[View interactive image](#)

[View interactive table](#)

INDEX NO.	PART NO.	DESCRIPTION	MODEL(S)
22	43608-82	SLEEVE	FLSTC, FLSTS, FXST, FXSTB, FXSTC, FXSTS
	43612-92	SLEEVE	FLSTF
23	43614-97	HUB SPACER	FLSTC
24	43650-82	SPACER WASHER	ALL
25	43672-84A	HUB, w/ bearings & seals (use 43016-97B) (chrome plated)	FLSTC, FLSTS, FXSTB, FXSTC

INDEX NO.	PART NO.	DESCRIPTION	MODEL(S)
	43677-88A	HUB, w/ bearings & seals	FXSTS
	43701-99	HUB, w/ bearings & seals (polished)	FXST
26	44029-97	SPACER, hub, right	FXSTS
27	44136-92	BRAKE DISC, front	ALL
28	44447-92	COVER, disc wheel	FLSTF
29	47519-83A	OIL SEAL (2)	ALL
30	54321-85	NUT, valve stem	FLSTC, FLSTS, FXST, FXSTB, FXSTC, FXSTS
31	95578-41	WEIGHT, 1/2 oz., 0.275 inch I.D. round	FLSTC, FLSTS, FXST, FXSTB, FXSTC, FXSTS
	95581-47	WEIGHT, 3/4 oz., 0.275 inch I.D. round	FLSTC, FLSTS, FXST, FXSTB, FXSTC, FXSTS
	95582-47	WEIGHT, 1 oz., 0.275 inch I.D. round	FLSTC, FLSTS, FXST, FXSTB, FXSTC, FXSTS
32	95595-84A	WEIGHT, 5 grams for cast wheel (silver)	FLSTF

## REAR BRAKE CONTROL - FXST MODELS



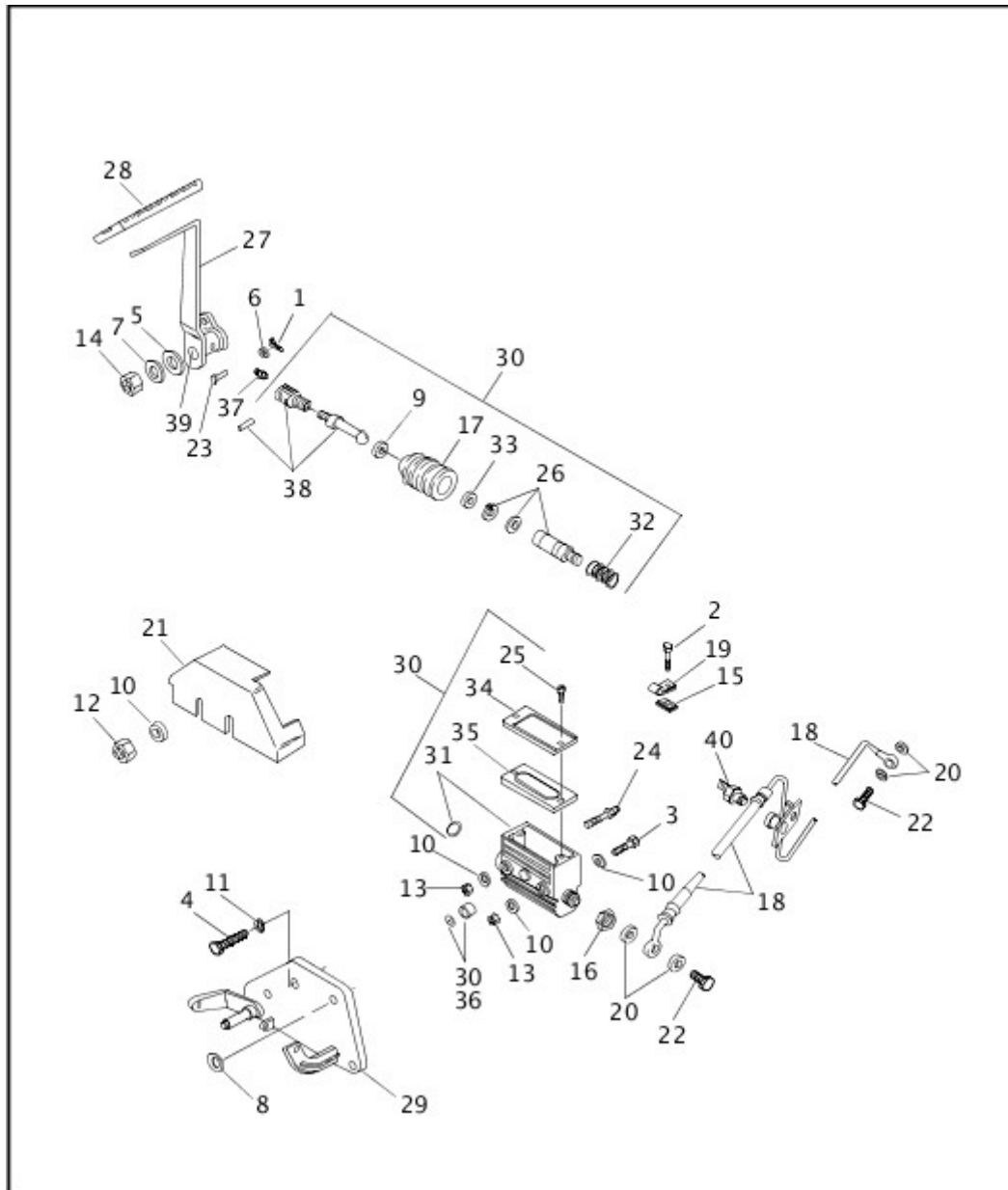
[View interactive image](#)

[View interactive table](#)

INDEX NO.	PART NO.	DESCRIPTION	MODEL(S)
1	515	COTTER PIN	FXST, FXSTB, FXSTC, FXSTS
2	3473	BOLT (2)	FXST, FXSTB, FXSTC, FXSTS
3	3509	BOLT	FXST, FXSTB, FXSTC, FXSTS
4	6099	WASHER (2)	FXST, FXSTB, FXSTC, FXSTS
5	6366	WASHER	FXST, FXSTB, FXSTC, FXSTS
6	6716	WASHER (2)	FXST, FXSTB, FXSTC, FXSTS
7	7742	LOCKNUT	FXST, FXSTB, FXSTC, FXSTS
8	7744	JAMNUT	FXST, FXSTB, FXSTC, FXSTS

INDEX NO.	PART NO.	DESCRIPTION	MODEL(S)
9	7855W	JAMNUT	FXST, FXSTB, FXSTC, FXSTS
10	10038A	CLAMP, reservoir hose (2)	FXST, FXSTB, FXSTC, FXSTS
11	10122	CLIP	FXST, FXSTB, FXSTC, FXSTS
12	37503-41	LOCKWASHER	FXST, FXSTB, FXSTC, FXSTS
13	40903-87	RETAINING RING	FXST, FXSTB, FXSTC, FXSTS
14	40918-87	RETAINING RING	FXST, FXSTB, FXSTC, FXSTS
15	40920-87	SPRING, brake return	FXST, FXSTB, FXSTC, FXSTS
16	40922-87A	BOOT, pushrod	FXST, FXSTB, FXSTC, FXSTS
17	41731-88A	GASKET (4)	FXST, FXSTB, FXSTC, FXSTS
18	41747-82A	BOLT (2)	FXST, FXSTB, FXSTC, FXSTS
19	41804-84A	RESERVOIR, master cylinder	FXST, FXSTB, FXSTC, FXSTS
20	45057-82	COVER, reservoir	FXST, FXSTB, FXSTC, FXSTS
21	42382-87C	REPAIR KIT, master cylinder	FXST, FXSTB, FXSTC, FXSTS
22	42446-87B	MASTER CYLINDER ASSEMBLY, rear	FXST, FXSTB, FXSTC, FXSTS
23	42448-87	PUSHROD, master cylinder	FXST, FXSTB, FXSTC, FXSTS
24	42452-87	REPAIR KIT, master cylinder body	FXST, FXSTB, FXSTC, FXSTS
25	42455-80	GASKET, reservoir	FXST, FXSTB, FXSTC, FXSTS
26	42460-80B	PIN, rear brake rod clevis	FXST, FXSTB, FXSTC, FXSTS
27	42507-89A	BRACKET, brake lever & footrest	FXST, FXSTB, FXSTC, FXSTS
28	42515-82	LEVER, foot brake (chrome)	FXST, FXSTB, FXSTC, FXSTS
29	42522-87A	CLEVIS, brake rod	FXST, FXSTB, FXSTC, FXSTS
30	42524-82A	BUSHING (2)	FXST, FXSTB, FXSTC, FXSTS
31	42531-87	WASHER	FXST, FXSTB, FXSTC, FXSTS
32	42532-82	PAD, brake lever	FXST, FXSTB, FXSTC, FXSTS
33	42534-90	SCREW (2)	FXST, FXSTB, FXSTC, FXSTS
34	44126-87	RETAINER, return spring	FXST, FXSTB, FXSTC, FXSTS
35	45156-89E	BRAKE LINE, rear	FXST, FXSTB, FXSTC, FXSTS
36	63546-87	HOSE, reservoir	FXST, FXSTB, FXSTC, FXSTS
37	72023-51E	STOP LAMP SWITCH, rear	FXST, FXSTB, FXSTC, FXSTS

## REAR BRAKE CONTROL - FLST MODELS



[View interactive image](#)

[View interactive table](#)

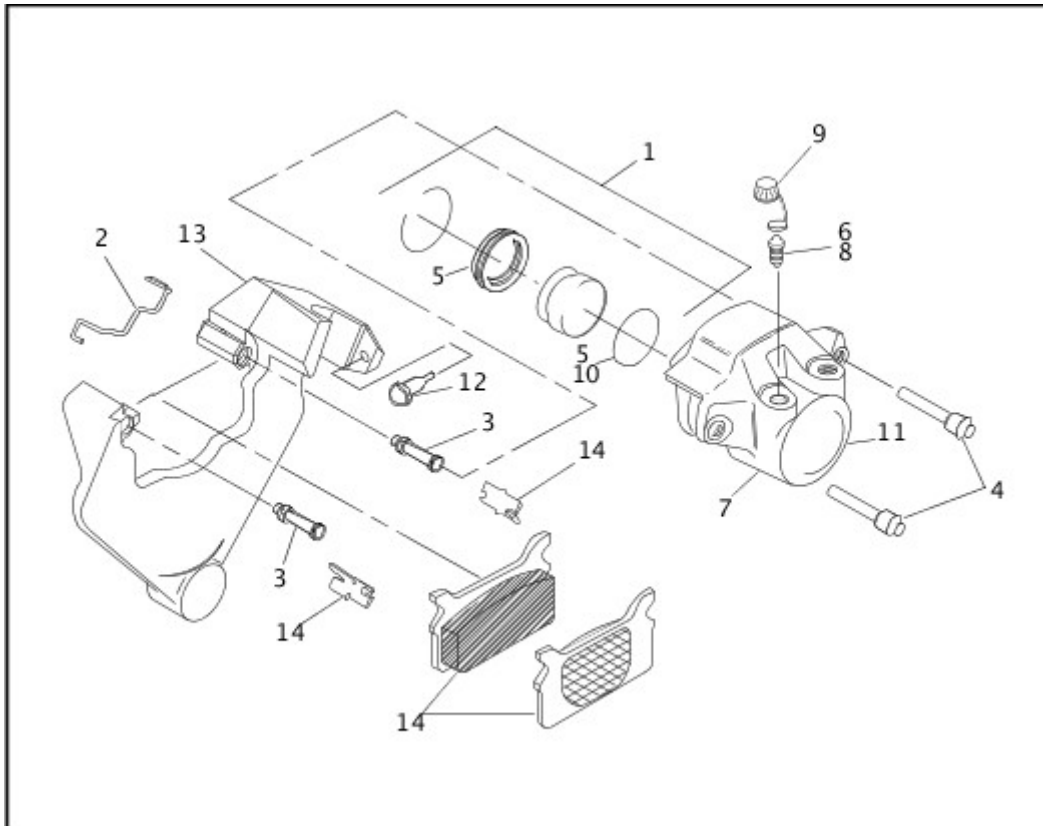
INDEX NO.	PART NO.	DESCRIPTION	MODEL(S)
1	515	COTTER PIN	FLSTC, FLSTF, FLSTS
2	3787	BOLT	FLSTC, FLSTF, FLSTS
3	4068A	BOLT	FLSTC, FLSTF, FLSTS
4	4713W	BOLT	FLSTC, FLSTF, FLSTS
5	5797A	SPACER	FLSTC, FLSTF, FLSTS
6	6220W	WASHER	FLSTC, FLSTF, FLSTS

INDEX NO.	PART NO.	DESCRIPTION	MODEL(S)
7	6334	WASHER	FLSTC, FLSTF, FLSTS
8	6352	WASHER	FLSTC, FLSTF, FLSTS
9	6366	WASHER	FLSTC, FLSTF, FLSTS
10	6702	WASHER (5)	FLSTC, FLSTF, FLSTS
11	7038	LOCKWASHER	FLSTC, FLSTF, FLSTS
12	7740	LOCKNUT (2)	FLSTC, FLSTF, FLSTS
13	7748W	NUT (2)	FLSTC, FLSTF, FLSTS
14	7825	LOCKNUT	FLSTC, FLSTF, FLSTS
15	8108	SPEEDNUT	FLSTC, FLSTF, FLSTS
16	35078-79	NUT	FLSTC, FLSTF, FLSTS
17	40922-87A	BOOT, pushrod	FLSTC, FLSTF, FLSTS
18	40957-87C	BRAKE LINE, rear	FLSTC, FLSTF, FLSTS
19	41713-86	CLAMP, rear brake line	FLSTC, FLSTF, FLSTS
20	41731-88A	GASKET (4)	FLSTC, FLSTF, FLSTS
21	41745-79	COVER, master cylinder (chrome)	FLSTC, FLSTF, FLSTS
22	41747-82A	BOLT (2)	FLSTC, FLSTF, FLSTS
23	42269-30	PIN, rear brake rod clevis	FLSTC, FLSTF, FLSTS
24	42301-87A	STUD, master cylinder	FLSTC, FLSTF, FLSTS
25	42375-87	SCREW, master cylinder cover (2)	FLSTC, FLSTF, FLSTS
26	42382-87C	REPAIR KIT, master cylinder	FLSTC, FLSTF, FLSTS
27	42407-87C	LEVER, foot brake (chrome)	FLSTC, FLSTF, FLSTS
28	42416-83	PAD, brake lever	FLSTC, FLSTF, FLSTS
29	42431-87A	SUPPORT, foot brake lever	FLSTC, FLSTF, FLSTS
30	42468-87E	MASTER CYLINDER ASSEMBLY, rear	FLSTC, FLSTF, FLSTS
31	42473-87	REPAIR KIT, master cylinder body	FLSTC, FLSTF, FLSTS
32	42479-90	SPRING	FLSTC, FLSTF, FLSTS
33	44126-87	RETAINER, spring	FLSTC, FLSTF, FLSTS
34	45004-85	COVER, master cylinder (black)	FLSTC, FLSTF, FLSTS
35	45005-85	GASKET, cover	FLSTC, FLSTF, FLSTS



INDEX NO.	PART NO.	DESCRIPTION	MODEL(S)
36	45042-82	REPAIR KIT, sight glass	FLSTC, FLSTF, FLSTS
37	50972-75	FITTING, lubrication	FLSTC, FLSTF, FLSTS
38	50992-87A	ROD END, master cylinder	FLSTC, FLSTF, FLSTS
39	57215-75	BUSHING, foot brake lever (2)	FLSTC, FLSTF, FLSTS
40	72023-51E	STOP LAMP SWITCH, rear	FLSTC, FLSTF, FLSTS

## REAR BRAKE CALIPER



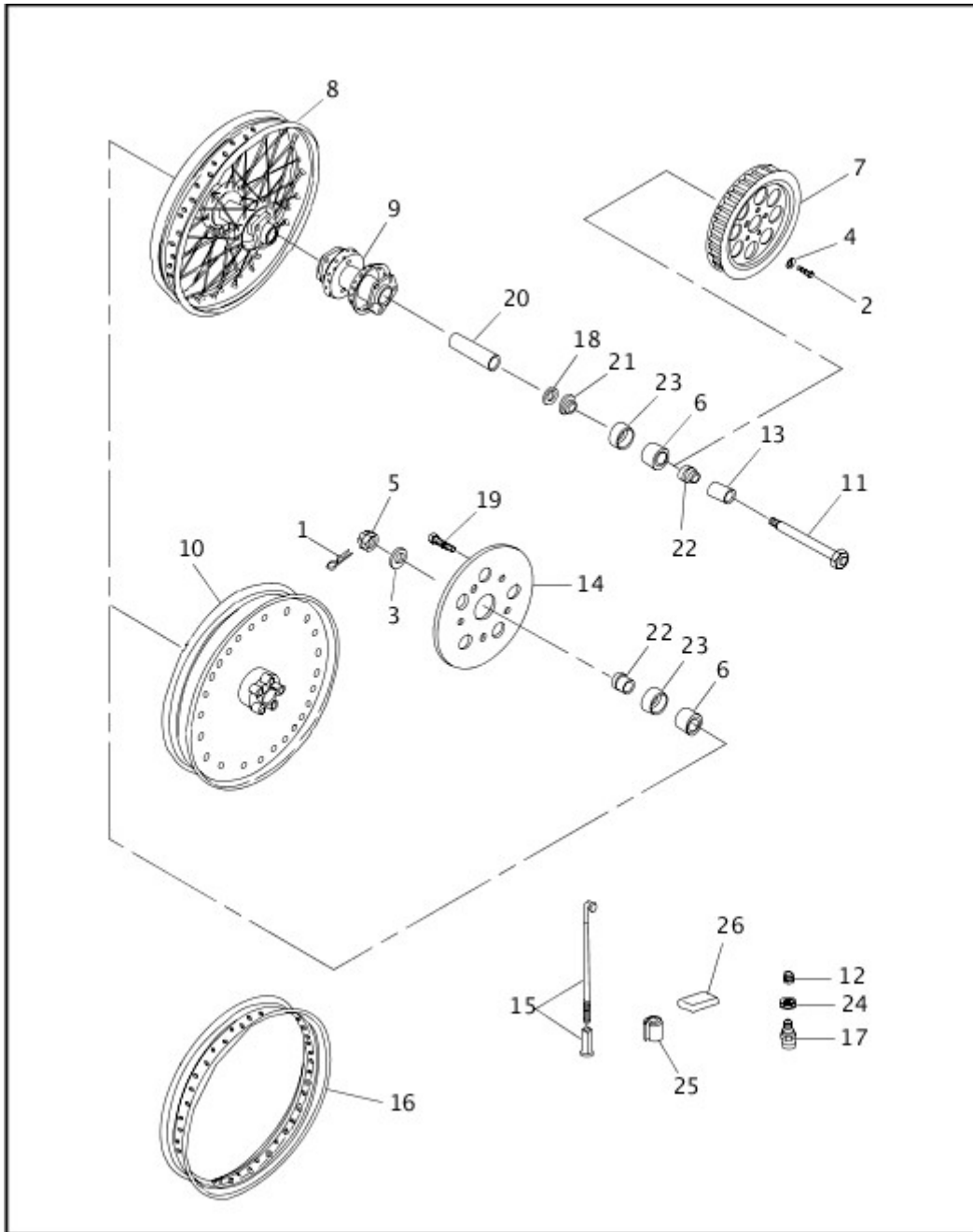
[View interactive image](#)

[View interactive table](#)

INDEX NO.	PART NO.	DESCRIPTION	MODEL(S)
1	43946-86	PISTON KIT, w/ 44152-77	ALL
2	43960-86	RETAINER	ALL
3	44035-86A	BUSHING (2)	ALL
4	44039-86	MOUNTING KIT, w/ guide pins & bushings	ALL
5	44045-87	SEAL & BOOT KIT	ALL

INDEX NO.	PART NO.	DESCRIPTION	MODEL(S)
6	44048-83	BLEEDER FITTING	ALL
7	44050-87	CALIPER ASSEMBLY, rear brake, w/o bracket	ALL
8	44146-77	BLEEDER FITTING	ALL
9	44147-87A	CAP, bleeder screw	ALL
10	44152-77	SEAL, piston	ALL
11	44198-87	LABEL	ALL
12	44199-79	BUMPER	ALL
13	44207-87	BRACKET, mounting, w/ 44035-86A, 44199-79 & shims	ALL
14	44209-87C	BRAKE PAD SET, rear, w/ inserts	ALL

## REAR WHEEL



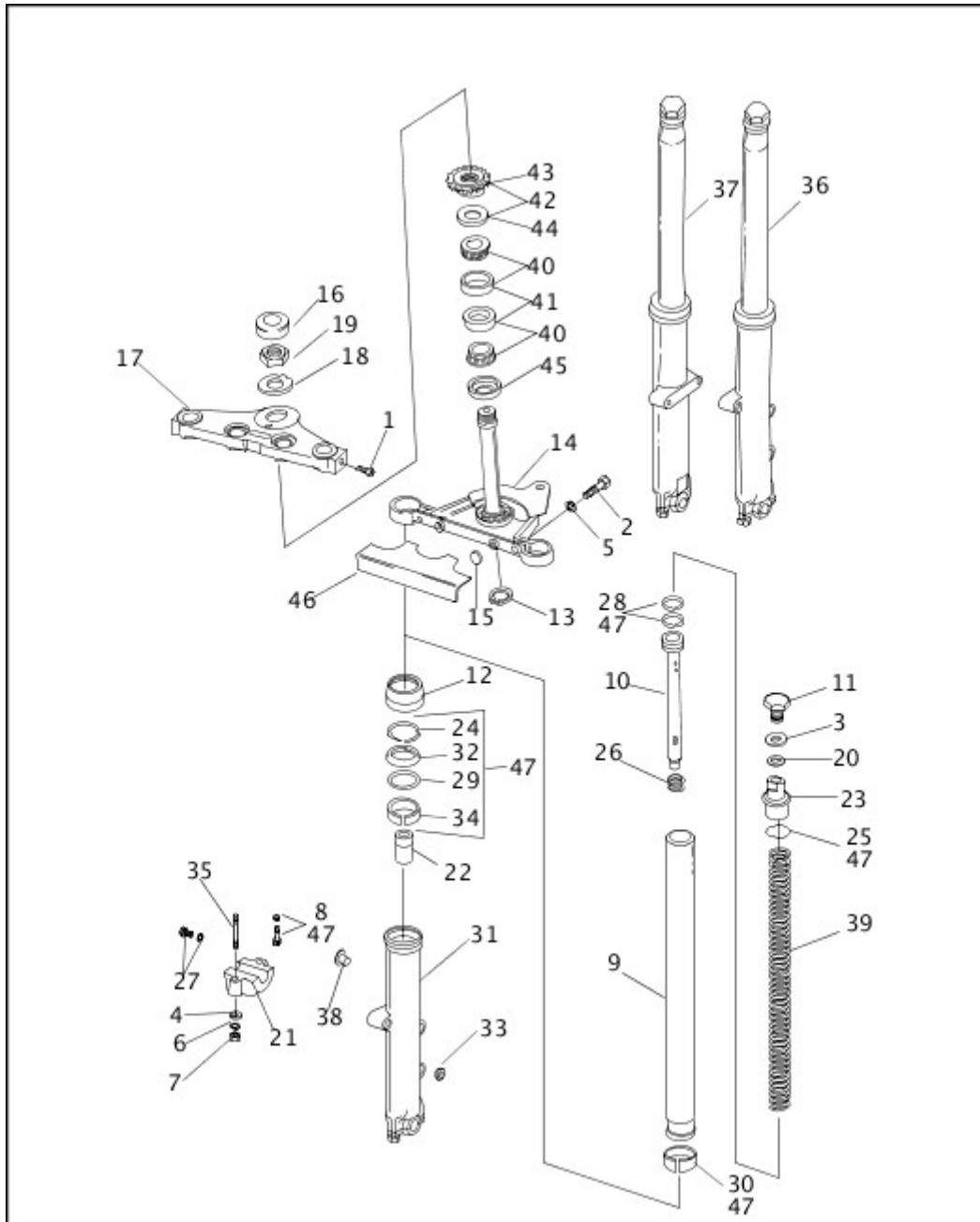
[View interactive image](#)

[View interactive table](#)

INDEX NO.	PART NO.	DESCRIPTION	MODEL(S)
1	510	SPRING CLIP	ALL
2	3730A	BOLT (5)	ALL
3	5756	WASHER	ALL
4	6516HW	WASHER (5)	ALL
5	7987	NUT	ALL
6	9052	ROLLER BEARING (2)	ALL

INDEX NO.	PART NO.	DESCRIPTION	MODEL(S)
7	40311-94	SPROCKET, 65T (silver)	FLSTF, FXSTC
	40312-94	SPROCKET, 65T (black)	FLSTC, FLSTS, FXST, FXSTB, FXSTS
8	40975-86C	WHEEL ASSEMBLY, rear 16 inch laced (chrome)	FLSTC, FLSTS, FXST, FXSTS
9	40976-86A	HUB ASSEMBLY, w/ spacer, bearings & seals	FLSTC, FLSTS, FXST, FXSTS
10	41058-87B	WHEEL ASSEMBLY, rear 16 inch disc (silver)	FLSTF, FXSTC
	41059-87	WHEEL ASSEMBLY, rear 16 inch disc (black)	FXSTB
11	41110-79A	AXLE ASSEMBLY	ALL
12	41123-79	VALVE CAP	ALL
13	41595-86	SPACER, rear axle, left	ALL
14	41789-92	BRAKE DISC, rear	ALL
15	43241-05	SPOKE & NIPPLE SET, 16 inch rim (40)	FLSTC, FLSTS, FXST, FXSTS
16	43085-97	RIM, 16 inch (chrome)	FLSTC, FLSTS, FXST, FXSTS
17	43157-83A	VALVE STEM ASSEMBLY	FLSTF, FXSTB, FXSTC
18	43290-82	SPACER, 0.032 inch thick	ALL
	43291-82	SPACER, 0.016 inch thick	ALL
	43292-82	SPACER, 0.008 inch thick	ALL
	43293-82	SPACER, 0.004 inch thick	ALL
	43294-82	SPACER, 0.002 inch thick	ALL
19	43567-92	SCREW (5)	ALL
20	43608-82	SLEEVE	ALL
21	43650-82	SPACER WASHER	ALL
22	43654-86A	SPACER (2)	ALL
23	47519-83A	OIL SEAL (2)	ALL
24	54321-85	NUT, valve stem	FLSTC, FLSTS, FXST, FXSTS
25	95578-41	WEIGHT, 1/2 oz., 0.275 inch I.D. round	FLSTC, FLSTS, FXST, FXSTS
	95581-47	WEIGHT, 3/4 oz., 0.275 inch I.D. round	FLSTC, FLSTS, FXST, FXSTS
	95582-47	WEIGHT, 1 oz., 0.275 inch I.D. round	FLSTC, FLSTS, FXST, FXSTS
26	95595-84A	WEIGHT, 5 grams (silver)	FLSTF, FXSTB, FXSTC

## FRONT FORK - FXST, FXSTC & FXSTB



[View interactive image](#)

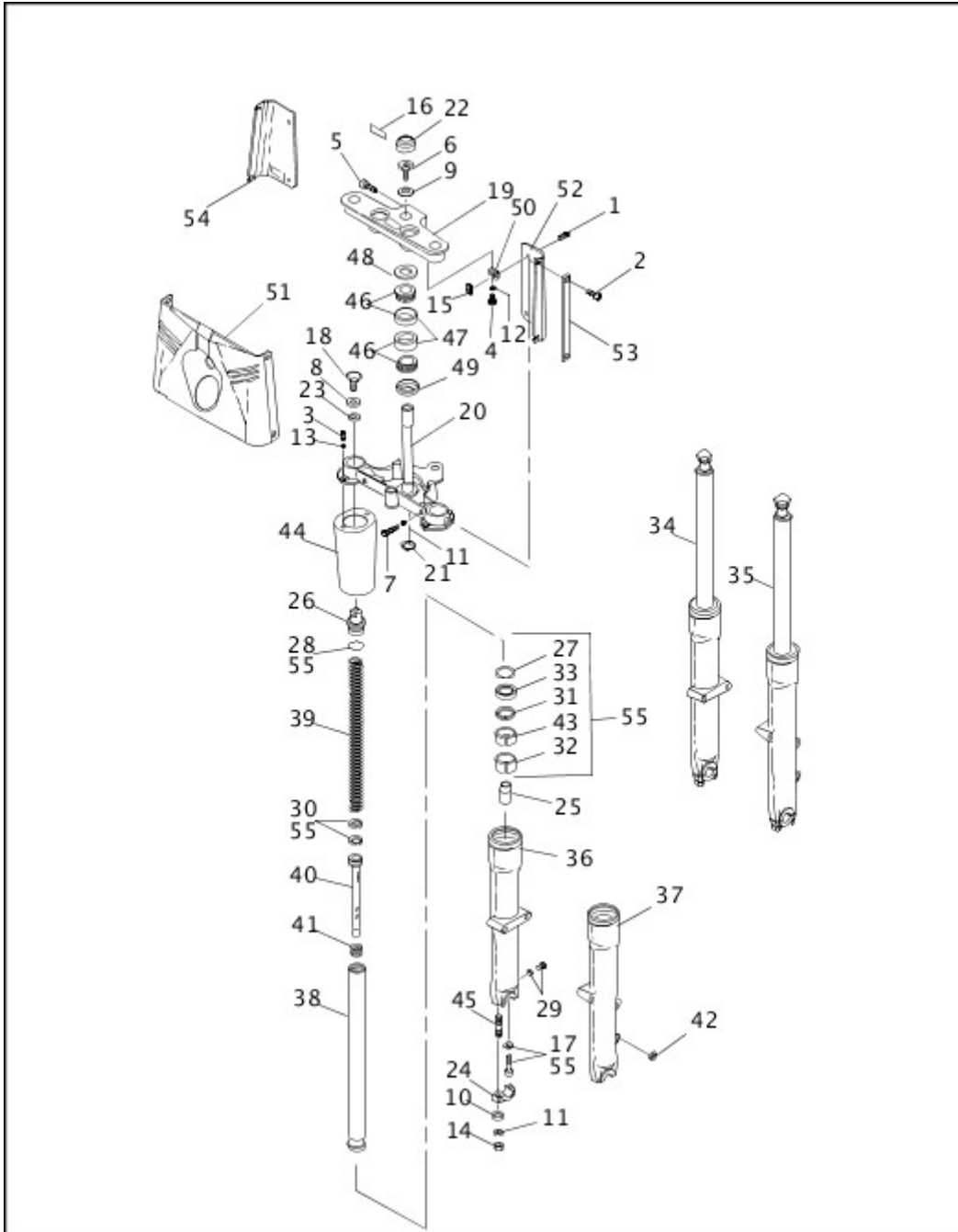
[View interactive table](#)

INDEX NO.	PART NO.	DESCRIPTION	MODEL(S)
1	2823	SCREW (2)	FXST, FXSTB, FXSTC
2	4729	BOLT (2)	FXST, FXSTB, FXSTC
3	5710	WASHER (2)	FXST, FXSTB, FXSTC
4	6702	WASHER, right slider (2)	FXST, FXSTB, FXSTC
5	7039	LOCKWASHER (2)	FXST, FXSTB, FXSTC
6	7041	LOCKWASHER, right slider (2)	FXST, FXSTB, FXSTC

INDEX NO.	PART NO.	DESCRIPTION	MODEL(S)
7	7962	NUT, right slider (2)	FXST, FXSTB, FXSTC
8	45405-75A	SCREW, w/ washer, damper tube (2)	FXST, FXSTB, FXSTC
9	45417-84	SLIDER TUBE (2)	FXST, FXSTB, FXSTC
10	45418-84	DAMPER TUBE, complete (2)	FXST, FXSTB, FXSTC
11	45419-80	CAP, slider tube (2)	FXST, FXSTB, FXSTC
12	45420-80	DUST COVER (2)	FXST, FXSTB, FXSTC
13	45611-86	RETAINING RING	FXST, FXSTB, FXSTC
14	45640-88B	STEM & BRACKET, w/ bearing & shield	FXST, FXSTB, FXSTC
15	45648-85A	PAD (felt) (2)	FXST, FXSTB, FXSTC
16	45670-80A	CAP, fork stem	FXST, FXSTB, FXSTC
17	45672-80B	BRACKET, upper (chrome)	FXST, FXSTB, FXSTC
18	45717-63	LOCKWASHER, fork stem nut	FXST, FXSTB, FXSTC
19	45718-60	NUT, fork stem	FXST, FXSTB, FXSTC
20	45733-48	OIL SEAL, fork tube plug (2)	FXST, FXSTB, FXSTC
21	45832-77A	AXLE CAP, right slider	FXST, FXSTB, FXSTC
22	45834-77	LOWER STOP (2)	FXST, FXSTB, FXSTC
23	45838-77	PLUG, fork tube (2)	FXST, FXSTB, FXSTC
24	45842-77A	RETAINING RING, oil seal (2)	FXST, FXSTB, FXSTC
25	45845-77	O-RING, slider tube plug (2)	FXST, FXSTB, FXSTC
26	45855-77	SPRING, damper tube (2)	FXST, FXSTB, FXSTC
27	45858-77	DRAIN SCREW, w/ washer (2)	FXST, FXSTB, FXSTC
28	45859-77A	RING, damper tube (4)	FXST, FXSTB, FXSTC
29	45865-84	WASHER, slider (2)	FXST, FXSTB, FXSTC
30	45866-84	BUSHING, slider tube (2)	FXST, FXSTB, FXSTC
31	45873-91A	SLIDER, left	FXST, FXSTB, FXSTC
	45874-91	SLIDER, right	FXST, FXSTB, FXSTC
32	45875-84A	OIL SEAL, slider (2)	FXST, FXSTB, FXSTC
33	45934-86	BUSHING, brake caliper	FXST, FXSTB, FXSTC
34	45940-84	BUSHING, slider	FXST, FXSTB, FXSTC

INDEX NO.	PART NO.	DESCRIPTION	MODEL(S)
35	45998-73	STUD (2)	FXST, FXSTB, FXSTC
36	46004-91A	FORK SLIDER & TUBE ASSEMBLY, left	FXST, FXSTB, FXSTC
37	46006-91A	FORK SLIDER & TUBE ASSEMBLY, right	FXST, FXSTB, FXSTC
38	46020-84	BUSHING, upper, left slider, brake caliper	FXST, FXSTB, FXSTC
39	46048-84	SPRING (2)	FXST, FXSTB, FXSTC
40	48300-60	ROLLER BEARING, w/ cup (2)	FXST, FXSTB, FXSTC
41	48315-60	BEARING CUP (2)	FXST, FXSTB, FXSTC
42	48330-48A	ADJUSTING NUT, upper, w/ shield	FXST, FXSTB, FXSTC
43	48332-48C	ADJUSTING NUT, upper	FXST, FXSTB, FXSTC
44	48361-80	DUST SHIELD, bearing, upper	FXST, FXSTB, FXSTC
45	48365-48A	DUST SHIELD, bearing, lower	FXST, FXSTB, FXSTC
46	67773-80A	MOUNTING PLATE, headlamp (chrome)	FXST, FXSTB, FXSTC
47	49377-09A	FORK REBUILD KIT, w/ 8, 24, 25, 28, 29, 30, 32 & 34	FXST, FXSTB, FXSTC
<b>INTERNATIONAL MODELS ONLY</b>			
48	48140-84A	STEERING HEAD LOCK ASSEMBLY (HDI) (not illustrated)	FXST, FXSTB, FXSTC

## FRONT FORK - FLSTC & FLSTF (1 OF 2)



View interactive image

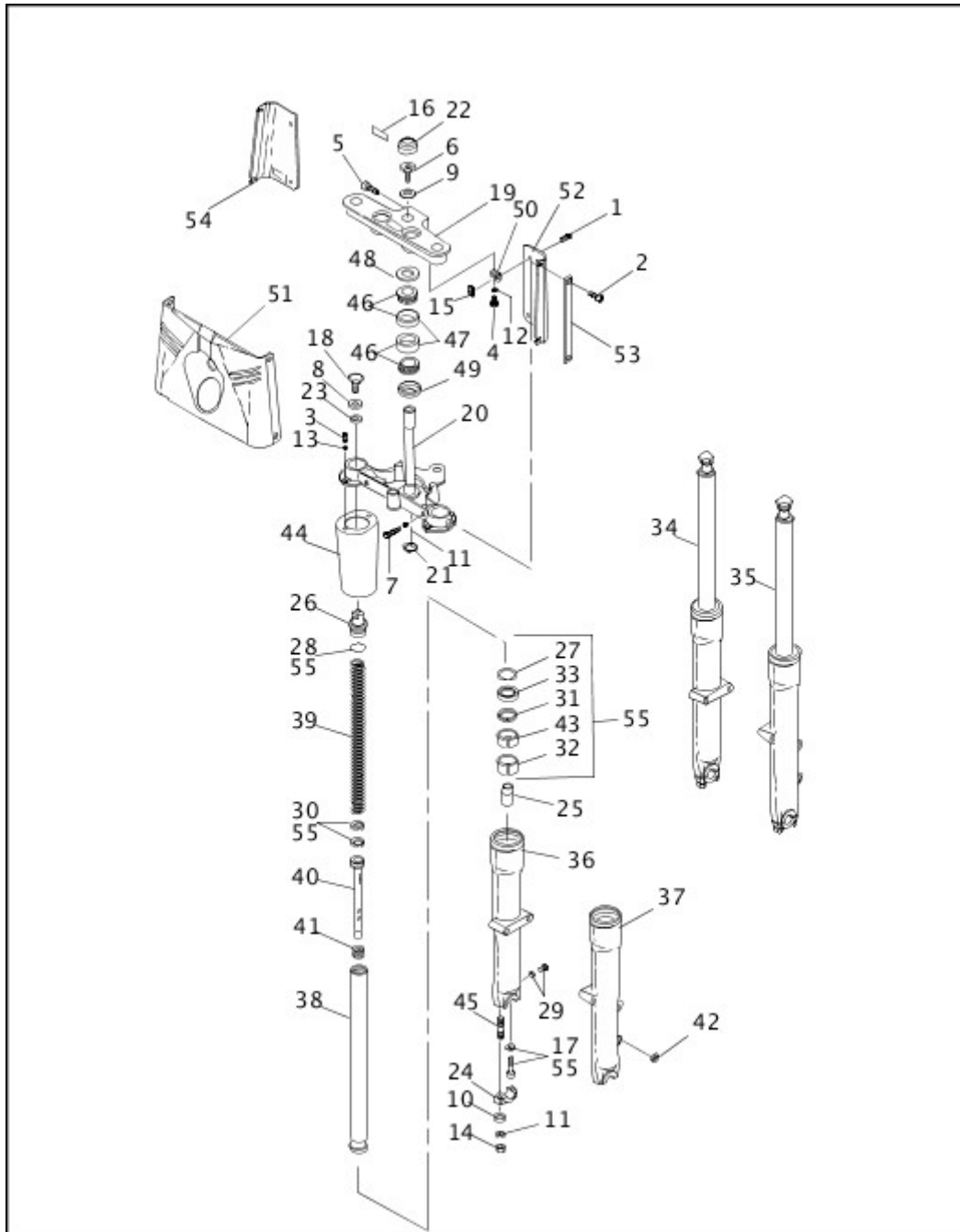
View interactive table

INDEX NO.	PART NO.	DESCRIPTION	MODEL(S)
1	923	SCREW (4)	FLSTC, FLSTF
2	3538	SCREW (4)	FLSTF
3	3739	SCREW (4)	FLSTC, FLSTF
4	3953W	BOLT (2)	FLSTC, FLSTF
5	4352	SCREW	FLSTC, FLSTF
6	4453	BOLT	FLSTC, FLSTF



INDEX NO.	PART NO.	DESCRIPTION	MODEL(S)
7	4729	BOLT (2)	FLSTC, FLSTF
8	5710	WASHER (2)	FLSTC, FLSTF
9	6655	WASHER	FLSTC, FLSTF
10	6702	WASHER (2)	FLSTC, FLSTF
11	7039	LOCKWASHER (4)	FLSTC, FLSTF
12	7041	LOCKWASHER (2)	FLSTC, FLSTF
13	7124	LOCKWASHER (4)	FLSTC, FLSTF
14	7748W	NUT (2)	FLSTC, FLSTF
15	8108	SPEEDNUT	FLSTC, FLSTF
16	14150-86	WARNING LABEL	FLSTC, FLSTF
17	45405-75A	SCREW, w/ washer (2)	FLSTC, FLSTF
18	45419-80	CAP, slider tube (2)	FLSTC, FLSTF
19	45456-86B	BRACKET, upper	FLSTC, FLSTF
20	45605-88	STEM & BRACKET	FLSTC, FLSTF
21	45611-86	RETAINING RING, fork stem	FLSTC, FLSTF
22	45670-80A	CAP, fork stem	FLSTC, FLSTF
23	45733-48	OIL SEAL, fork tube plug (2)	FLSTC, FLSTF
24	45832-77A	AXLE CAP, right slider	FLSTC, FLSTF
25	45834-77	LOWER STOP (2)	FLSTC, FLSTF
26	45838-77	PLUG, fork tube (2)	FLSTC, FLSTF
27	45842-77A	RETAINING RING, oil seal (2)	FLSTC, FLSTF
28	45845-77	O-RING, slider tube plug (2)	FLSTC, FLSTF
29	45858-77	DRAIN SCREW, w/ washer, slider (2)	FLSTC, FLSTF
30	45859-77A	RING, damper tube (4)	FLSTC, FLSTF

## FRONT FORK - FLSTC & FLSTF (2 OF 2)



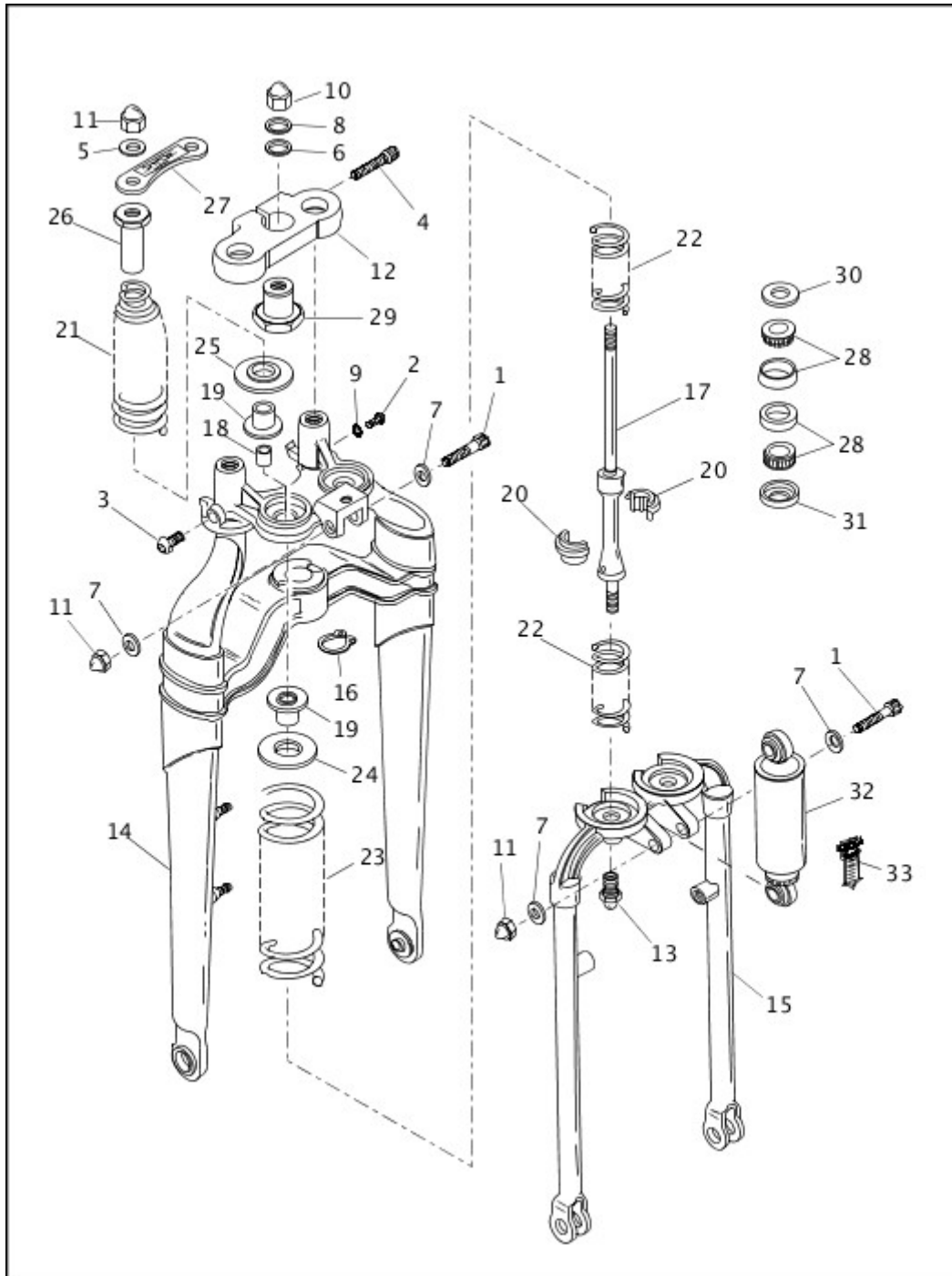
View interactive image

View interactive table

INDEX NO.	PART NO.	DESCRIPTION	MODEL(S)
31	45865-84	WASHER, slider (2)	FLSTC, FLSTF
32	45866-84	BUSHING, slider tube (2)	FLSTC, FLSTF
33	45875-84A	OIL SEAL (2)	FLSTC, FLSTF
34	45915-86	FORK SLIDER & TUBE ASSEMBLY, right	FLSTC, FLSTF
35	45916-86	FORK SLIDER & TUBE ASSEMBLY, left	FLSTC, FLSTF
36	45917-86	SLIDER, right	FLSTC, FLSTF

INDEX NO.	PART NO.	DESCRIPTION	MODEL(S)
37	45918-86	SLIDER, left	FLSTC, FLSTF
38	45930-86	SLIDER TUBE (2)	FLSTC, FLSTF
39	45931-86	SPRING (2)	FLSTC, FLSTF
40	45932-86	DAMPER TUBE (2)	FLSTC, FLSTF
41	45933-86	SPRING, damper tube (2)	FLSTC, FLSTF
42	45934-86	BUSHING, brake caliper	FLSTC, FLSTF
43	45940-84	BUSHING, slider (2)	FLSTC, FLSTF
44	45964-86	COVER, slider (2)	FLSTC, FLSTF
45	45998-73	STUD (2)	FLSTC, FLSTF
46	48300-60	ROLLER BEARING, w/ cup (2)	FLSTC, FLSTF
47	48315-60	BEARING CUP (2)	FLSTC, FLSTF
48	48361-80	DUST SHIELD, bearing, upper	FLSTC, FLSTF
49	48365-48A	DUST SHIELD, bearing, lower	FLSTC, FLSTF
50	50991-86	BRACKET, front panel (2)	FLSTC, FLSTF
51	67808-86	FRONT PANEL (buffed stainless steel)	FLSTC, FLSTF
52	67816-86	BACK PANEL, left, rear	FLSTF
	67821-87	BACK PANEL, left rear, w/ switch hole	FLSTC
53	67819-86	TRIM STRIP, front panel (2)	FLSTF
54	67814-86	BACK PANEL, right, rear	FLSTC, FLSTF
55	49377-09A	FORK REBUILD KIT, w/ 17, 27, 28, 30, 31, 32, 33 & 43	FLSTC, FLSTF
<b>INTERNATIONAL MODELS ONLY</b>			
56	48140-84A	STEERING HEAD LOCK ASSEMBLY (HDI) (not illustrated)	FLSTC, FLSTF

## FRONT FORK - FXSTS



[View interactive image](#)

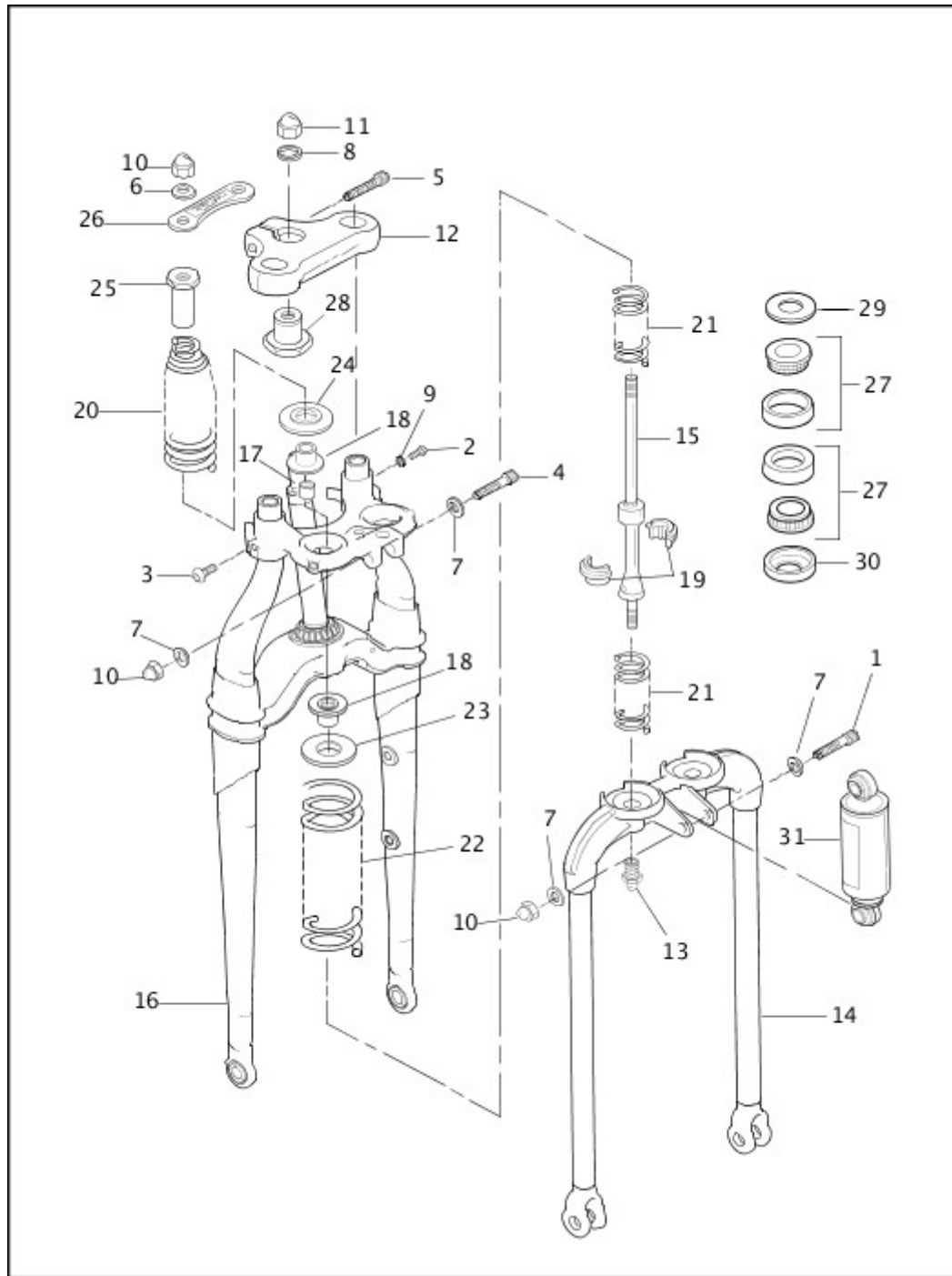
[View interactive table](#)

INDEX NO.	PART NO.	DESCRIPTION	MODEL(S)
1	855B	SCREW, shock absorber mounting (2)	FXSTS
2	3533	SCREW, spring reaction bracket, right	FXSTS
3	3538	SCREW, spring reaction bracket, left	FXSTS
4	4350A	SCREW, upper triple clamp	FXSTS
5	6353	WASHER, spring rod (2)	FXSTS

INDEX NO.	PART NO.	DESCRIPTION	MODEL(S)
6	6756	WASHER, steering stem	FXSTS
7	6812	WASHER, shock absorber mounting (4)	FXSTS
8	6829	WASHER, rubber	FXSTS
9	7232	LOCKWASHER, spring reaction bracket	FXSTS
10	7959	ACORN NUT, w/ washer, steering stem	FXSTS
11	7680W	ACORN NUT (4)	FXSTS
12	45473-88	UPPER TRIPLE CLAMP	FXSTS
13	45567-88	ACORN NUT, lower spring rod (2)	FXSTS
14	45569-88B	RIGID FORK ASSEMBLY, w/ stem, lower bearing & dust shield	FXSTS
15	45607-93	SPRING FORK	FXSTS
16	45611-86	RETAINING RING, fork stem	FXSTS
17	45628-92	SPRING ROD ASSEMBLY (2)	FXSTS
18	45935-88	BUSHING, spring rod (2)	FXSTS
19	45936-88	TRAVEL BUMPER (4)	FXSTS
20	45937-88	SPRING SEAT (4)	FXSTS
21	46053-88	SPRING, rebound, top (2)	FXSTS
22	46054-88	SPRING, compression, inner (4)	FXSTS
23	46055-88	SPRING, compression, outer (2)	FXSTS
24	46056-88	SPRING CUP, compression spring (2)	FXSTS
25	46057-88	SPRING CUP, rebound spring (2)	FXSTS
26	46060-88	SPRING RESTRAINT, upper (2)	FXSTS
27	46062-88	SPRING BRIDGE	FXSTS
28	48300-60	ROLLER BEARING, w/ cup (2)	FXSTS
29	48306-88	BEARING RETAINER, steering head	FXSTS
30	48361-80	DUST SHIELD, bearing, upper	FXSTS
31	48365-48A	DUST SHIELD, bearing, lower	FXSTS
32	54485-97	FRONT SHOCK ABSORBER	FXSTS
33	66030-88	DECAL, shock absorber	FXSTS
<b>INTERNATIONAL MODELS ONLY</b>			

INDEX NO.	PART NO.	DESCRIPTION	MODEL(S)
34	48140-84A	STEERING HEAD LOCK ASSEMBLY (HDI) (not illustrated)	FXSTS

## FRONT FORK - FLSTS



[View interactive image](#)

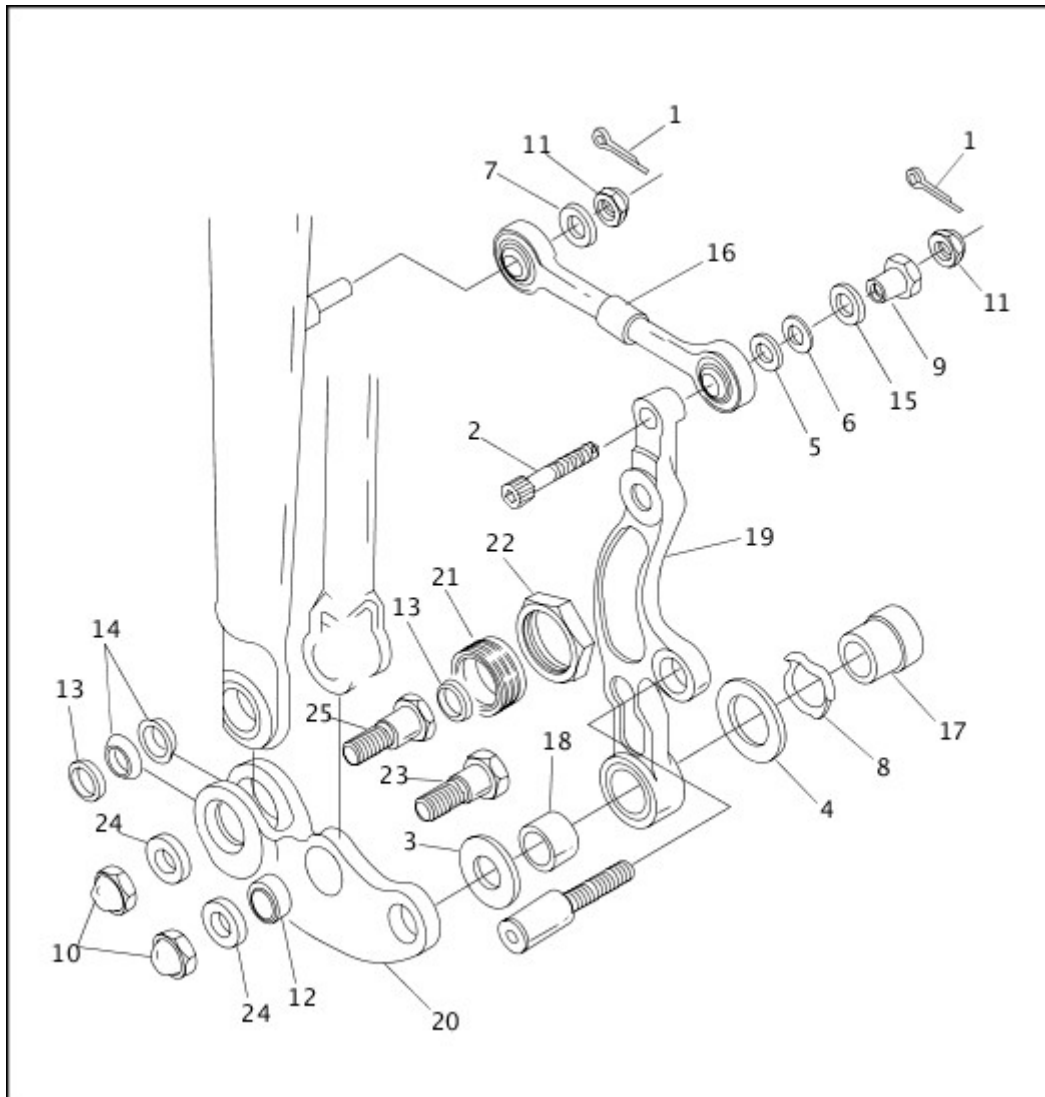
[View interactive table](#)

INDEX NO.	PART NO.	DESCRIPTION	MODEL(S)
1	855B	SCREW	FLSTS

INDEX NO.	PART NO.	DESCRIPTION	MODEL(S)
2	3533	SCREW	FLSTS
3	3538	SCREW	FLSTS
4	4029A	SCREW	FLSTS
5	4350A	SCREW, upper triple clamp	FLSTS
6	6353	WASHER, spring rod (2)	FLSTS
7	6812	WASHER (4)	FLSTS
8	6829	WASHER, rubber	FLSTS
9	7232	LOCKWASHER	FLSTS
10	7680W	ACORN NUT (4)	FLSTS
11	7959	ACORN NUT, w/ washer, steering stem	FLSTS
12	45491-97	UPPER TRIPLE CLAMP	FLSTS
13	45567-88	ACORN NUT, lower spring rod (2)	FLSTS
14	45619-97	SPRING FORK	FLSTS
15	45628-92	SPRING ROD ASSEMBLY (2)	FLSTS
16	45633-97A	RIGID FORK ASSEMBLY, w/ stem, lower bearing & dust shield	FLSTS
17	45935-88	BUSHING, spring rod (2)	FLSTS
18	45936-88	TRAVEL BUMPER (4)	FLSTS
19	45937-88	SPRING SEAT (4)	FLSTS
20	46053-88	SPRING, rebound, top (2)	FLSTS
21	46054-88	SPRING, compression, inner (4)	FLSTS
22	46055-88	SPRING, compression, outer (2)	FLSTS
23	46056-88	SPRING CUP, compression spring (2)	FLSTS
24	46057-88	SPRING CUP, rebound spring (2)	FLSTS
25	46060-88	SPRING RESTRAINT, upper (2)	FLSTS
26	46062-88	SPRING BRIDGE	FLSTS
27	48300-60	ROLLER BEARING, w/ cup (2)	FLSTS
28	48306-88	BEARING RETAINER, steering head	FLSTS
29	48361-80	DUST SHIELD, bearing, upper	FLSTS
30	48365-48A	DUST SHIELD, bearing, lower	FLSTS

INDEX NO.	PART NO.	DESCRIPTION	MODEL(S)
31	54484-97	FRONT SHOCK ABSORBER	FLSTS

## FORK ROCKERS & CALIPER MOUNTING - FXSTS



[View interactive image](#)

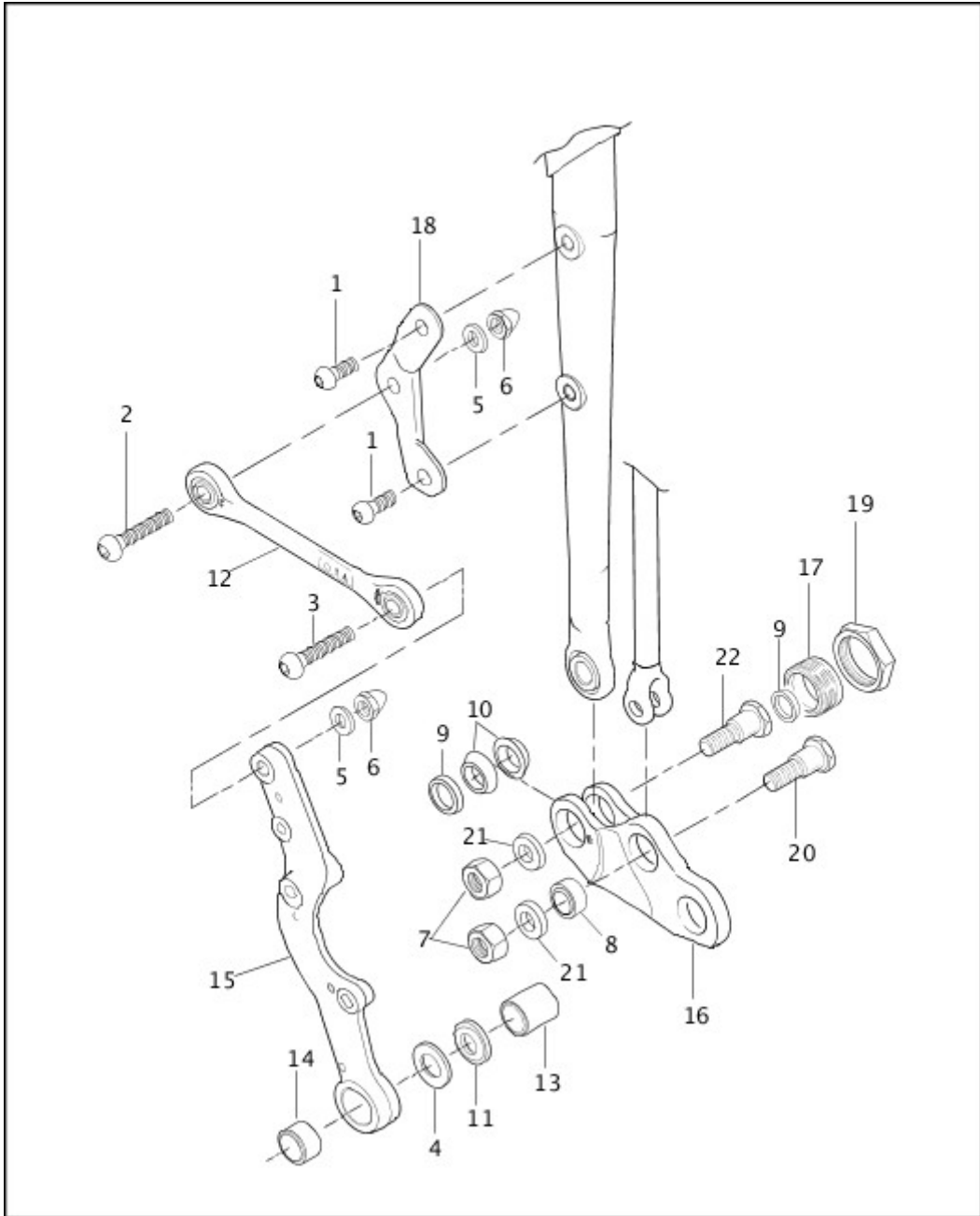
[View interactive table](#)

INDEX NO.	PART NO.	DESCRIPTION	MODEL(S)
1	534	COTTER PIN, brake reaction link (2)	FXSTS
2	4747	SCREW, brake link to bracket	FXSTS
3	6040A	WASHER, front axle, outside right	FXSTS
4	6042A	WASHER, front axle, inside right	FXSTS
5	6371	WASHER	FXSTS



INDEX NO.	PART NO.	DESCRIPTION	MODEL(S)
6	6498	WASHER	FXSTS
7	6812	WASHER, brake reaction link	FXSTS
8	7012	WAVE WASHER, front axle, right	FXSTS
9	7588	NUT, shaft	FXSTS
10	7627	ACORN NUT, rockers to forks (4)	FXSTS
11	7667	NUT, brake reaction link (2)	FXSTS
12	9139	BEARING, spherical, fork to rocker (2)	FXSTS
13	9140	RACE, spherical bearing, fork to rocker (4)	FXSTS
14	9141	BALL, spherical bearing, fork to rocker (4)	FXSTS
15	11244	SPACER (rubber)	FXSTS
16	41040-88B	BRAKE REACTION LINK	FXSTS
17	44029-88	SPACER, right	FXSTS
18	44030-88A	BUSHING, caliper mounting	FXSTS
19	44044-88B	BRACKET, caliper mounting	FXSTS
20	45649-91	ROCKER, left	FXSTS
	45651-91	ROCKER, right	FXSTS
21	45655-88	BEARING RETAINER, rigid fork (2)	FXSTS
22	45659-88	JAMNUT, bearing retainer (2)	FXSTS
23	45660-88A	PIVOT STUD, spring fork to rocker (2)	FXSTS
24	45662-88	WASHER, rocker to fork leg (4)	FXSTS
25	45663-88A	PIVOT STUD, rigid fork to rocker (2)	FXSTS

## FORK ROCKERS & CALIPER MOUNTING - FLSTS



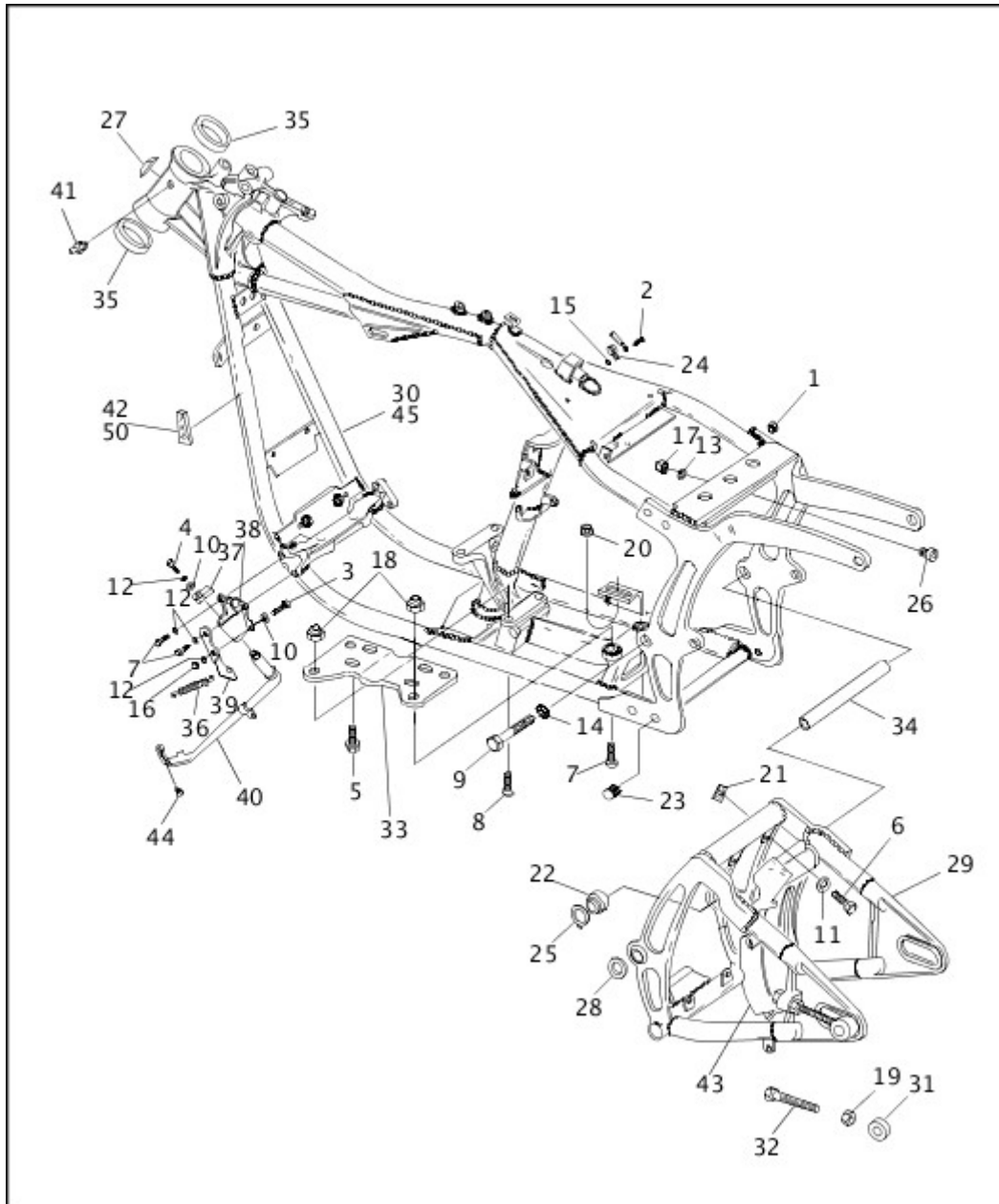
[View interactive image](#)

[View interactive table](#)

INDEX NO.	PART NO.	DESCRIPTION	MODEL(S)
1	4163	SCREW (2)	FLSTS
2	4164	SCREW	FLSTS
3	4165	SCREW	FLSTS
4	6042A	WASHER, front axle	FLSTS
5	6812	WASHER (2)	FLSTS
6	7862	ACORN NUT (2)	FLSTS

INDEX NO.	PART NO.	DESCRIPTION	MODEL(S)
7	7880	NUT (4)	FLSTS
8	9139	BEARING, spherical, fork to rocker (2)	FLSTS
9	9140	RACE, spherical bearing, fork to rocker (4)	FLSTS
10	9141	BALL, spherical bearing, fork to rocker (4)	FLSTS
11	11260	RUBBER SPACER	FLSTS
12	41047-97	BRAKE REACTION LINK	FLSTS
13	44031-97	PIVOT SLEEVE, left	FLSTS
14	44086-97	BUSHING, caliper mounting	FLSTS
15	44236-97	BRACKET, caliper mounting	FLSTS
16	45629-97	FORK ROCKER, right	FLSTS
	45631-97	FORK ROCKER, left	FLSTS
17	45655-88	BEARING RETAINER, rigid fork (2)	FLSTS
18	45656-97	FORK LEG BRACKET	FLSTS
19	45659-88	JAMNUT, bearing retainer (2)	FLSTS
20	45660-88A	PIVOT STUD, spring fork to rocker (2)	FLSTS
21	45662-88	WASHER, rocker to fork leg (4)	FLSTS
22	45663-88A	PIVOT STUD, rigid fork to rocker (2)	FLSTS

## FRAME, REAR FORK & JIFFY STAND (1 OF 2)



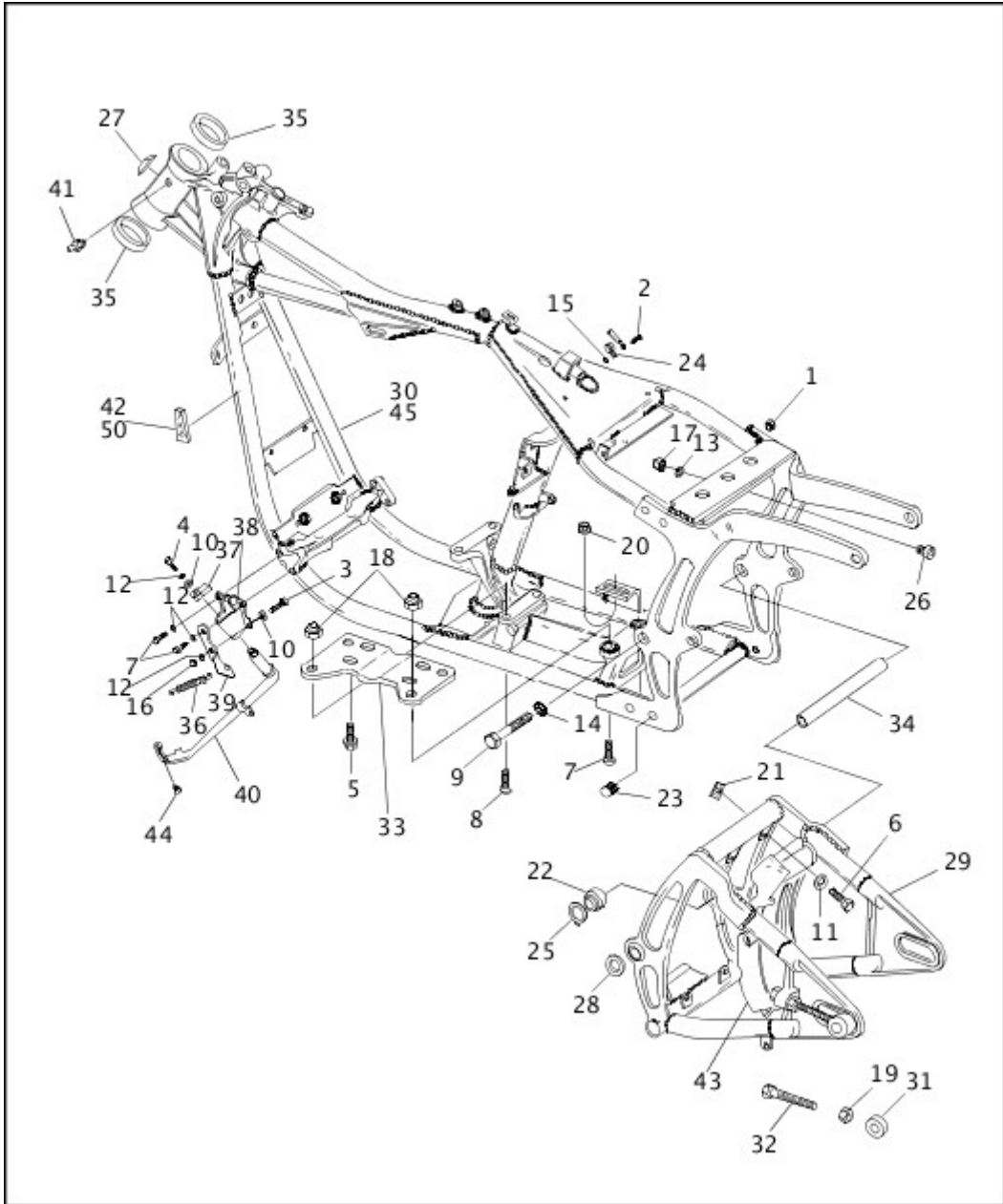
[View interactive image](#)

[View interactive table](#)

INDEX NO.	PART NO.	DESCRIPTION	MODEL(S)
1	728	PLUG, frame side (2)	FXST, FXSTB, FXSTC, FXSTS
2	939	SCREW	ALL
3	2871W	BOLT (2)	FLSTC, FLSTF, FLSTS
	3987	BOLT (2)	FXST, FXSTB, FXSTC, FXSTS
4	2882W	SCREW	ALL
5	3657	BOLT (4)	ALL
6	3787	BOLT (4)	ALL

INDEX NO.	PART NO.	DESCRIPTION	MODEL(S)
7	3991	BOLT (2)	ALL
8	4044	SCREW (4)	ALL
9	4961	BOLT (2)	ALL
10	6702	WASHER (2)	ALL
11	6703	WASHER (4)	ALL
12	7041	LOCKWASHER (4)	ALL
13	7124	LOCKWASHER	ALL
14	7142	LOCKWASHER (2)	ALL
15	7230	LOCKWASHER	ALL
16	7527	ACORN NUT (3)	FXST, FXSTB, FXSTC, FXSTS
	7748W	NUT (3)	FLSTC, FLSTF, FLSTS
17	7742	LOCKNUT (2)	ALL
18	7778	LOCKNUT (4)	ALL
19	7783	NUT, rear axle adjuster (2)	ALL
20	7942	FLANGE LOCKNUT	ALL
21	8108	SPEEDNUT (4)	ALL
22	9076	BEARING, rear fork pivot (2)	ALL
23	10040	PLUG (2)	FLSTC, FLSTF, FXST, FXSTB, FXSTC, FXSTS
24	10059A	CLAMP	ALL
25	11158	RETAINING RING, fork bearing (2)	ALL
26	11451	CUSHION (2)	ALL
27	11456	BUMPER	FXSTS

## FRAME, REAR FORK & JIFFY STAND (2 OF 2)



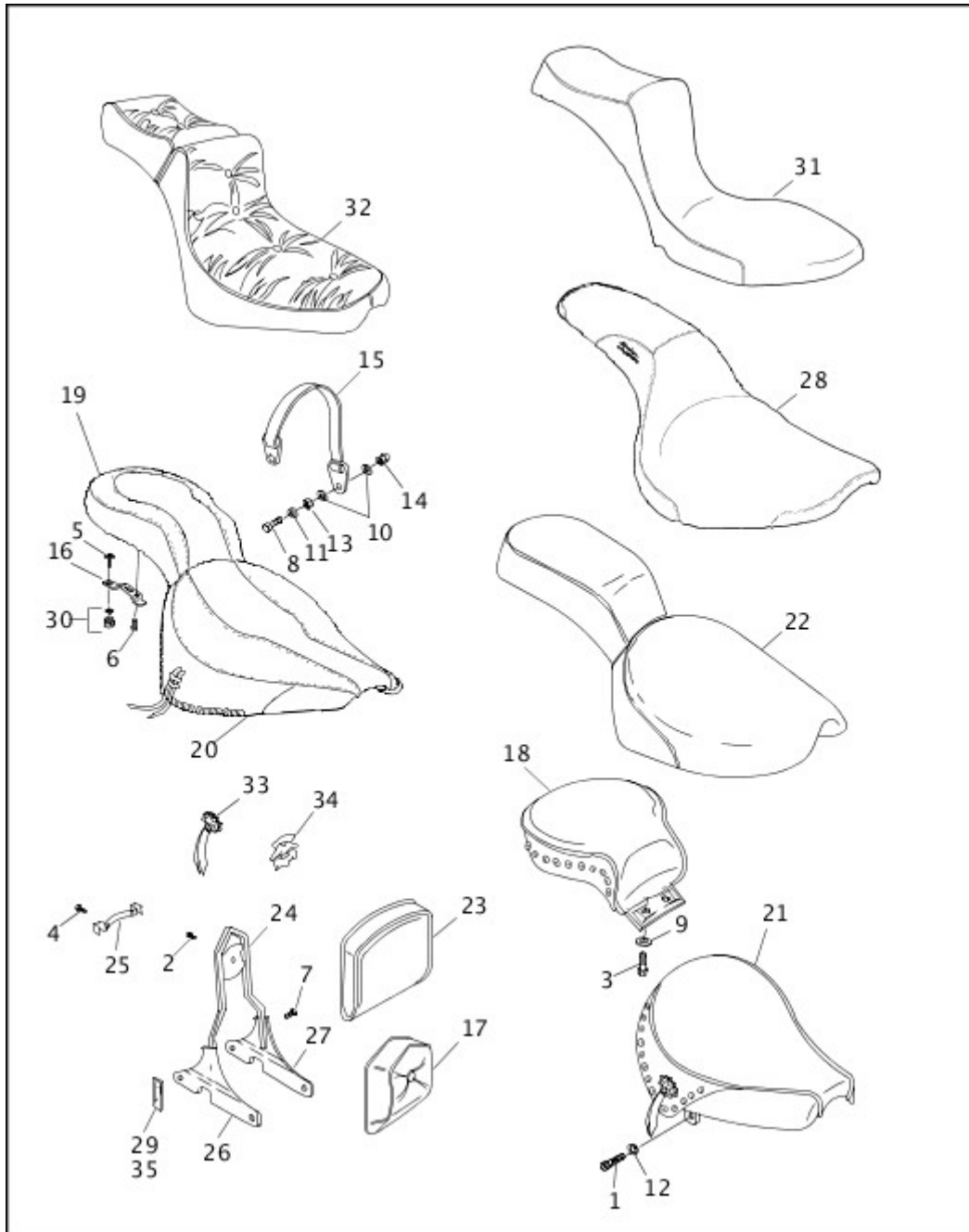
[View interactive image](#)

[View interactive table](#)

INDEX NO.	PART NO.	DESCRIPTION	MODEL(S)
28	43283-86	SPACER, rear fork pivot (2)	ALL
29	47573-89B	REAR FORK, w/ 22 & 25	ALL
30	47008-92B	FRAME	ALL
31	47577-94	SPACER, rear axle adjuster (2)	ALL
32	47579-93	ADJUSTING SCREW, rear axle (2)	ALL
33	47698-86B	TRANSMISSION MOUNTING PLATE	ALL
34	48031-89A	SWING AXIS TUBE	ALL

INDEX NO.	PART NO.	DESCRIPTION	MODEL(S)
35	48315-60	BEARING CUP (2)	ALL
36	50005-85A	SPRING, jiffy stand leg	ALL
37	50015-74A	LEG STOP	ALL
38	50018-85	LEG BRACKET (chrome)	ALL
39	50028-91	BRACKET, spring (chrome)	ALL
40	50087-89B	LEG, jiffy stand (chrome)	ALL
41	50972-75	FITTING, lubrication	ALL
42	59258-91	REFLECTOR (amber) (2)	ALL
43	60363-86C	REAR FENDER EXTENSION	ALL
44	62123-66	BUMPER	ALL
<b>INTERNATIONAL MODELS ONLY</b>			
45	48130-92B	FRAME (HDI)	ALL
46	48140-84A	STEERING HEAD LOCK (HDI) (not illustrated)	ALL
47	50025-84	SPRING, jiffy stand (HDI) (not illustrated)	ALL
48	50027-84	SPRING, jiffy stand (HDI) (not illustrated)	ALL
49	50034-84	SPRING, jiffy stand (HDI) (not illustrated)	ALL
50	59265-90	REFLECTOR (amber) (HDI) (2)	FLSTF, FXSTS

## SEATS & SISSY BARS



[View interactive image](#)

[View interactive table](#)

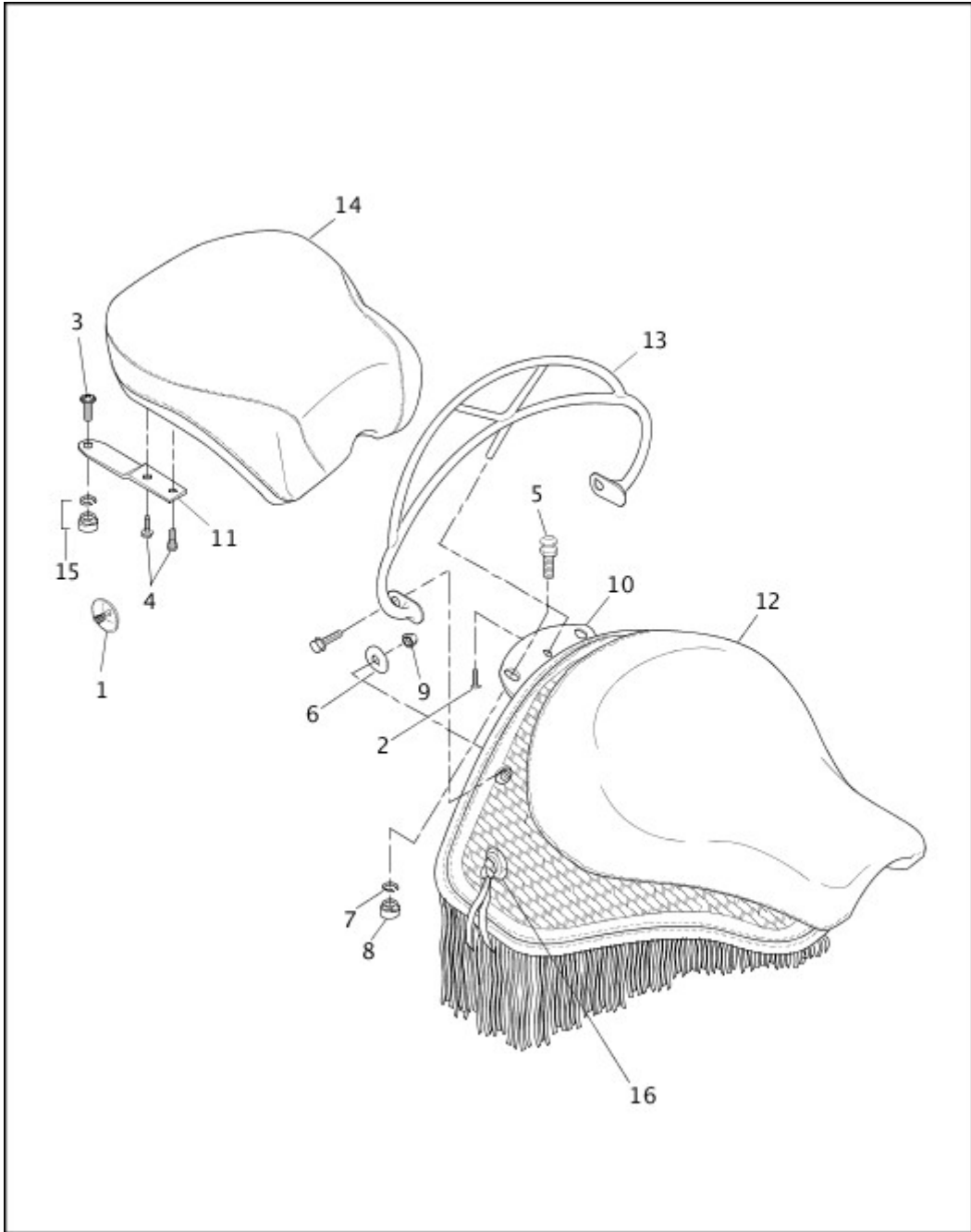
INDEX NO.	PART NO.	DESCRIPTION	MODEL(S)
1	868A	SCREW (2)	FLSTC, FLSTF
2	1357W	SCREW	FLSTC
	1602	SCREW	FXSTC
3	2534	SCREW (2)	FLSTF
	3974HW	BOLT (2)	FLSTC
4	2538	SCREW (2)	FLSTC



INDEX NO.	PART NO.	DESCRIPTION	MODEL(S)
	2607	SCREW (2)	FXSTC
5	2952A	SCREW	FLSTC, FLSTF, FXST, FXSTB, FXSTC, FXSTS
6	3574	SCREW (2)	FLSTC, FLSTF, FXST, FXSTB, FXSTC, FXSTS
7	3793A	SCREW (4)	FLSTC, FXSTC
8	4721	BOLT (2)	FLSTC, FLSTF, FXST, FXSTB
9	6333	WASHER (2)	FLSTC, FLSTF
10	6379W	WASHER (4)	FLSTC, FLSTF, FXST, FXSTB
11	6701	WASHER (2)	FLSTC, FLSTF, FXST, FXSTB
12	7068	LOCKWASHER (2)	FLSTC, FLSTF
13	7643W	JAMNUT (2)	FLSTC, FLSTF, FXST, FXSTB, FXSTC, FXSTS
14	7680W	ACORN NUT (2)	FLSTC, FLSTF, FXST, FXSTB
15	51170-93	PASSENGER STRAP (black)	FXSTB
	51175-95	PASSENGER STRAP KIT (black)	FXSTC
	51184-88A	PASSENGER STRAP (black)	FXSTS
	51185-90	PASSENGER STRAP (black)	FLSTC
	51186-89B	PASSENGER STRAP (black)	FLSTF
	52521-94	PASSENGER STRAP (black)	FXST
16	51652-83B	BRACKET, seat	FLSTC, FLSTF, FXST, FXSTB, FXSTC, FXSTS
17	52191-86	BACKREST	FXSTC
18	52912-00	SEAT KIT, passenger (black)	FLSTC
19	52209-90C	SEAT KIT, passenger (w/ textured panel)	FLSTF
20	52217-90C	SEAT, front (w/ textured panel)	FLSTF
21	52236-86E	SEAT KIT, solo (black)	FLSTC
22	52503-88E	SEAT	FXSTS
23	52541-87A	BACKREST KIT, w/ concho (black)	FLSTC
24	52735-85	UPRIGHT KIT, sissy bar, w/ mounting screws	FLSTC, FXSTC
25	52771-82	BRACKET, backrest	FLSTC, FXSTC
26	52787-92	SIDE PLATE, right	FLSTC, FXSTC
27	52788-92	SIDE PLATE, left	FLSTC, FXSTC

INDEX NO.	PART NO.	DESCRIPTION	MODEL(S)
28	52988-98	SEAT (black)	FXSTB
29	59255-91	REFLECTOR (red) (2)	FLSTC
30	59768-97	SEAT NUT KIT, w/ retention washer	FLSTC, FLSTF, FXST, FXSTB, FXSTC, FXSTS
31	91767-99	SEAT (black)	FXST
32	91768-96	SEAT (black)	FXSTC
33	91850-87A	CONCHO	FLSTC
34	99000-77	MEDALLION	FXSTC
<b>INTERNATIONAL MODELS ONLY</b>			
35	59261-91	REFLECTOR (amber) (HDI) (2)	FLSTC, FXSTC, FXSTS

## SEAT - FLSTS



[View interactive image](#)

[View interactive table](#)

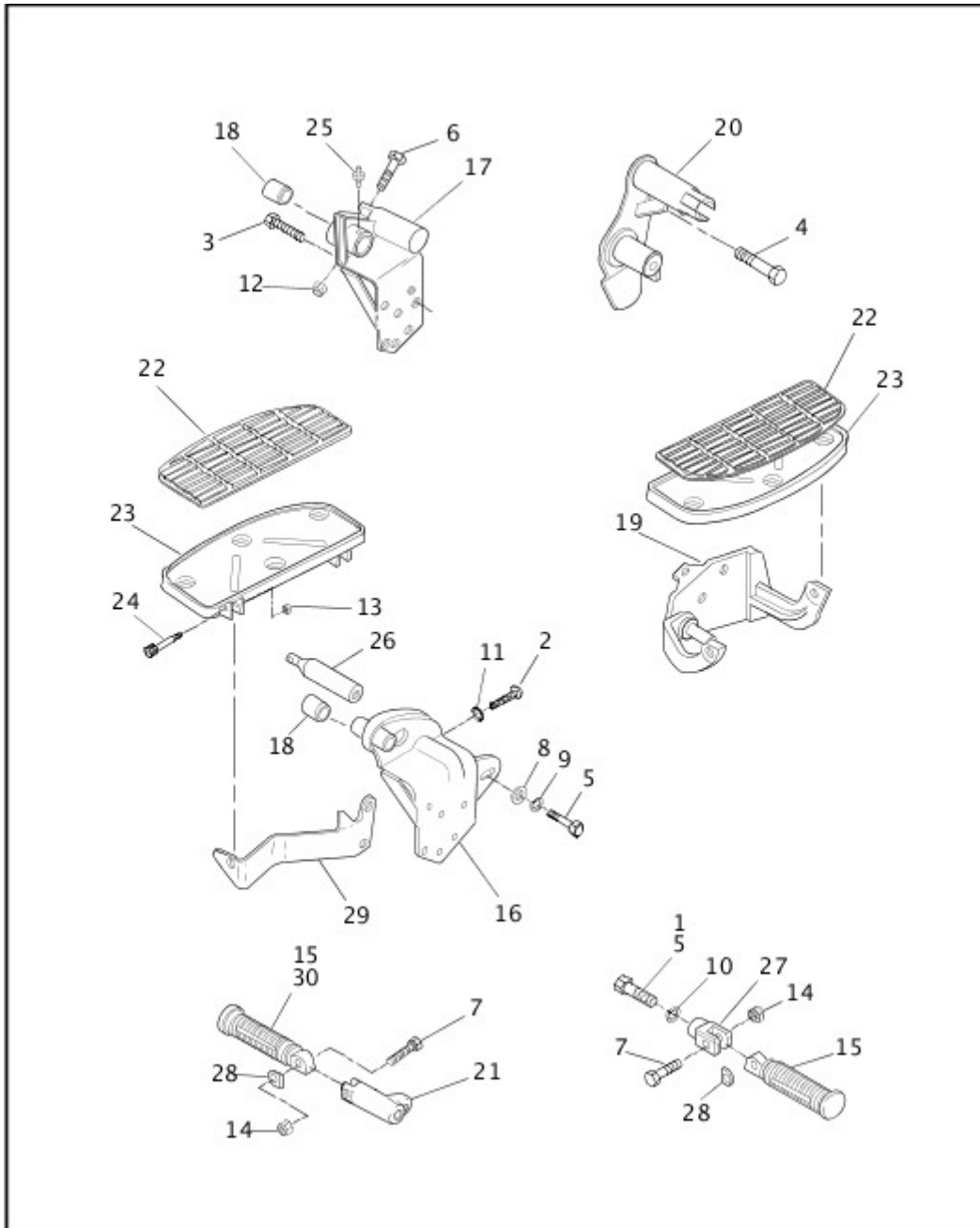
INDEX NO.	PART NO.	DESCRIPTION	MODEL(S)
1	762	CAP, plastic (chrome)	FLSTS
2	2927	SCREW	FLSTS
3	2952A	SCREW	FLSTS
4	3574	SCREW (2)	FLSTS
5	3662A	STUD, seat mounting (2)	FLSTS

NOTE: Index number 17 sold only as part of grab rail kit.

INDEX NO.	PART NO.	DESCRIPTION	MODEL(S)
6	6036	WASHER (2)	FLSTS
7	7484	RETENTION WASHER, seat (2)	FLSTS
8	7485	RETENTION NUT, seat (2)	FLSTS
9	7686	LOCKNUT (2)	FLSTS
10	52014-97	BRACKET, seat mounting	FLSTS
11	52152-97	BRACKET, passenger seat	FLSTS
12	51793-99	SEAT (black trim)	FLSTS
13	52687-97	GRAB RAIL KIT, seat, w/ 2927, 6036, 7686 & 17	FLSTS
14	51796-99	PASSENGER SEAT (black trim)	FLSTS
15	59768-97	SEAT NUT KIT, w/ retention washer	FLSTS
16	91877-97	CONCHO (2)	FLSTS

NOTE: Index number 17 sold only as part of grab rail kit.

## FOOTRESTS & FOOTBOARDS



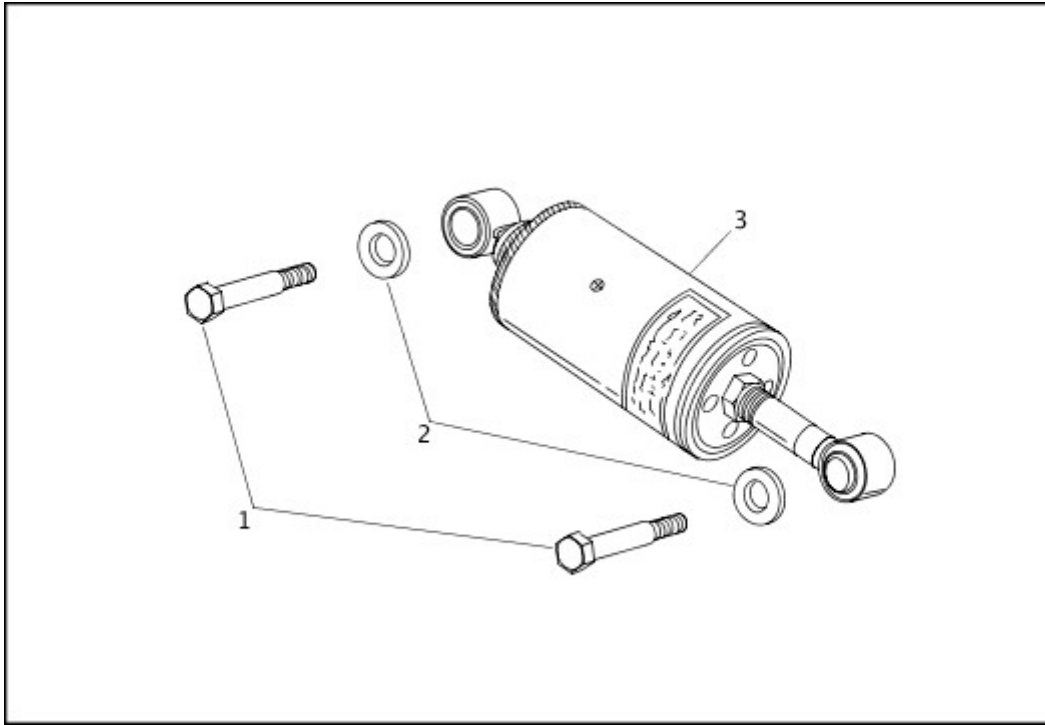
View interactive image

View interactive table

INDEX NO.	PART NO.	DESCRIPTION	MODEL(S)
1	872A	SCREW, right	FLSTF
2	2773	SCREW	FLSTC, FLSTF, FLSTS
3	3440	BOLT	ALL
4	4163	SCREW	FXST, FXSTB, FXSTC, FXSTS
5	3516A	SCREW (2)	FLSTF, FXST, FXSTB, FXSTC, FXSTS
	3549A	SCREW (2)	FLSTC, FLSTS

INDEX NO.	PART NO.	DESCRIPTION	MODEL(S)
6	4716W	SCREW	FXST, FXSTB, FXSTC, FXSTS
7	4721	BOLT (as required)	ALL
8	6400HB	WASHER	FLSTC, FLSTF, FLSTS
9	7038	LOCKWASHER	FLSTC, FLSTF, FLSTS
10	7068	LOCKWASHER (as required)	ALL
11	7230	LOCKWASHER	FLSTC, FLSTF, FLSTS
12	7667	NUT	FXST, FXSTB, FXSTC, FXSTS
13	7716	LOCKNUT (4)	FLSTC, FLSTF, FLSTS
14	7778	LOCKNUT (2)	ALL
15	33048-72	FOOTREST, w/ 33189-63 (2)	FLSTC, FLSTF, FLSTS
15	33048-72	FOOTREST, w/ 33189-63 (4)	FXST, FXSTB, FXSTC, FXSTS
16	33630-90A	BRACKET KIT, left	FLSTC, FLSTF, FLSTS
17	33683-90A	BRACKET, shifter & footrest	FXST, FXSTB, FXSTC, FXSTS
18	33708-94	BEARING SLEEVE (2)	ALL
19	42431-87A	BRACKET	FLSTC, FLSTF, FLSTS
20	42507-89A	BRACKET, brake lever & footrest	FXST, FXSTB, FXSTC, FXSTS
21	49166-97	SUPPORT, passenger footrest, left	FLSTS
22	50614-91A	PAD (2)	FLSTC, FLSTF, FLSTS
23	50621-79A	FOOTBOARD, w/ 50614-91A (2)	FLSTC, FLSTF, FLSTS
24	50635-82A	BOLT, footboard hinge (4)	FLSTC, FLSTF, FLSTS
25	50972-75	FITTING, lubrication	FXST, FXSTB, FXSTC, FXSTS
26	50989-86	STUD, left front (chrome)	FLSTC, FLSTF, FLSTS
27	50900-72	SUPPORT, passenger footrest (2)	ALL
28	50912-72	SPRING WASHER (as required)	ALL
29	50990-86B	SUPPORT BRACKET, left rear	FLSTC, FLSTF, FLSTS
30	33189-63	COVER (black) (2)	FLSTC, FLSTF, FLSTS
30	33189-63	COVER (black) (4)	FXST, FXSTB, FXSTC, FXSTS

## SHOCK ABSORBERS - REAR

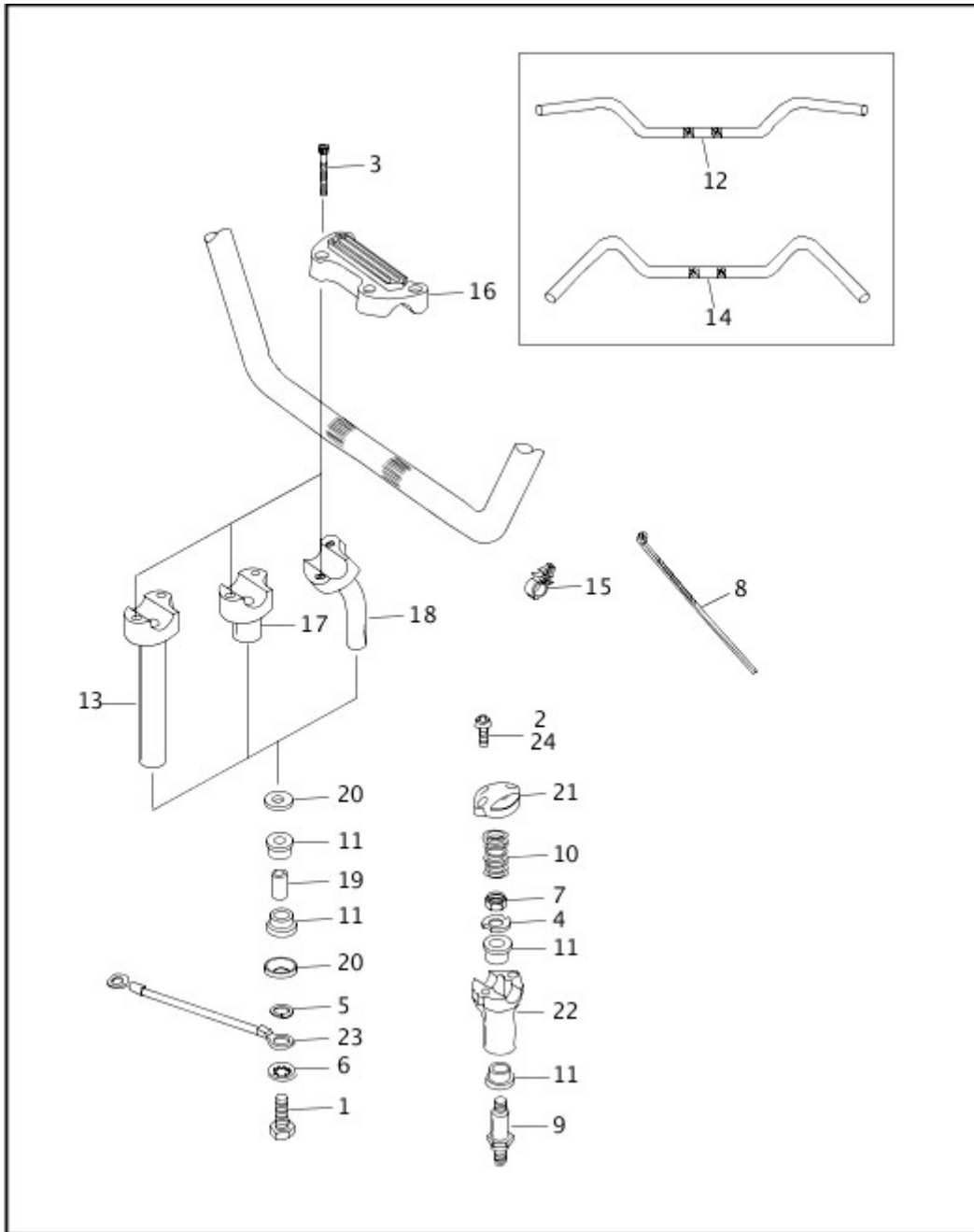


View interactive image

View interactive table

INDEX NO.	PART NO.	DESCRIPTION	MODEL(S)
1	4074A	BOLT (4)	ALL
2	6724	WASHER (4)	ALL
3	54508-89A	SHOCK ABSORBER, complete (2)	ALL

## HANDLEBAR



[View interactive image](#)

[View interactive table](#)

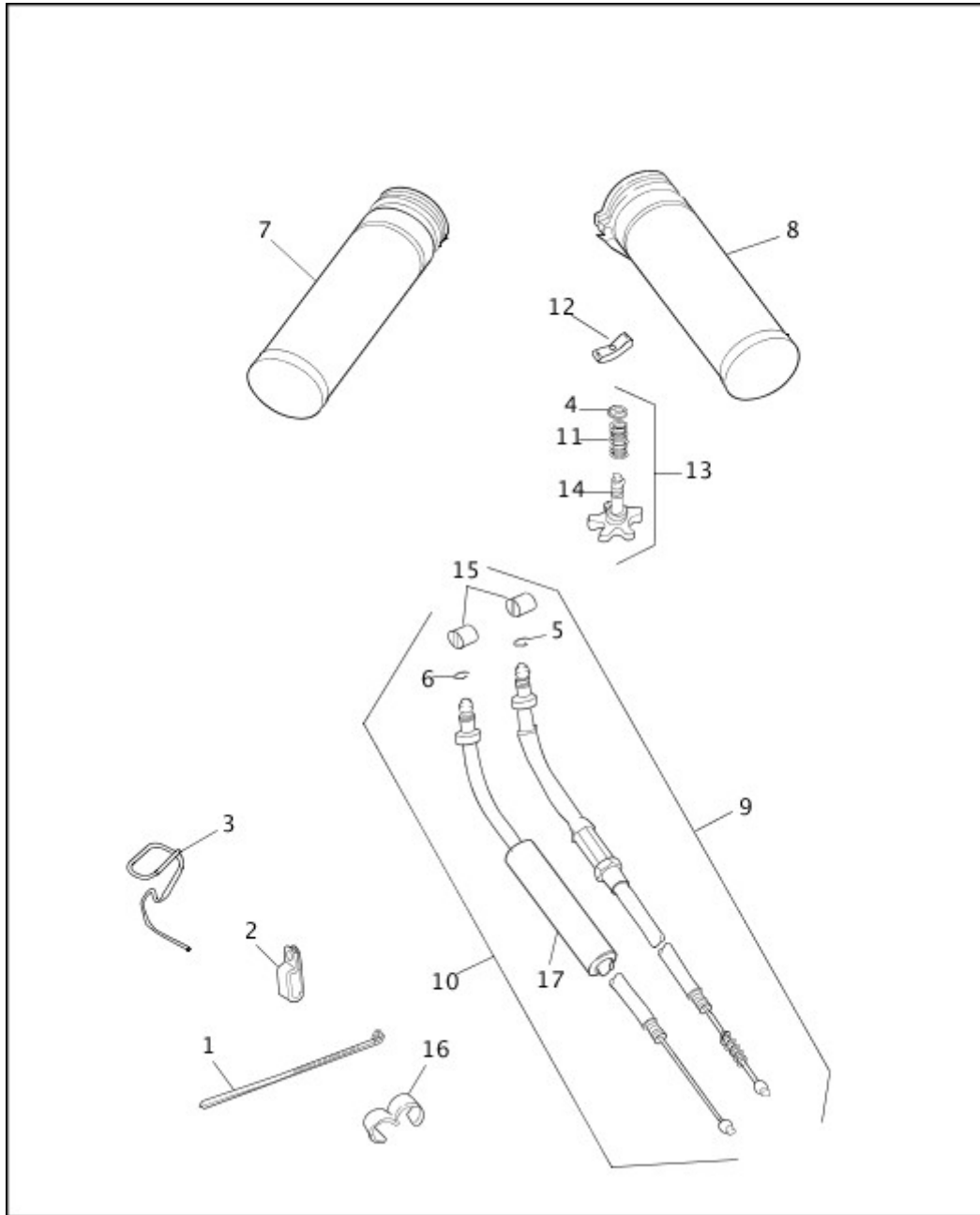
INDEX NO.	PART NO.	DESCRIPTION	MODEL(S)
1	3471	BOLT (2)	FLSTC, FLSTF, FXST, FXSTB, FXSTC
2	3494A	BOLT (4)	FLSTS, FXSTS
3	4816A	SCREW (4)	FLSTC, FLSTF, FXST, FXSTB, FXSTC
4	6753	WASHER (2)	FXSTS
	6756	WASHER (2)	FLSTS
5	7068	LOCKWASHER (2)	FLSTC, FLSTF, FXST, FXSTB, FXSTC



INDEX NO.	PART NO.	DESCRIPTION	MODEL(S)
6	7129	LOCKWASHER, right side	FLSTC, FLSTF, FXST, FXSTB, FXSTC
7	7768W	LOCKNUT (2)	FLSTS, FXSTS
8	10065	CABLE STRAP (2)	FXSTS
9	45544-88	STUD, rigid fork leg (2)	FXSTS
	56550-97	STUD, rigid fork leg (2)	FLSTS
10	46059-90	SPRING	FXSTS
	46058-97	SPRING, right side	FLSTS
11	53156-86	BUSHING (rubber) (4)	FLSTC, FLSTF, FXST, FXSTB, FXSTC, FXSTS
	53157-97	BUSHING (rubber) (4)	FLSTS
12	55919-82	HANDLEBAR	FLSTF
	55933-97	HANDLEBAR	FLSTS
	56224-99A	HANDLEBAR, drag style	FXSTB
	56569-86	HANDLEBAR	FLSTC
13	57464-09	HANDLEBAR RISER, left (chrome)	FXSTB
	57465-09	HANDLEBAR RISER, right (chrome)	FXSTB
14	56081-82A	HANDLEBAR	FXSTC
	56093-88A	HANDLEBAR	FXSTS
	56102-99	HANDLEBAR	FXST
15	70345-84	RETAINER (4)	ALL
16	56119-77A	CLAMP, upper	FXST, FXSTC
	56567-86B	CLAMP, upper (chrome)	FLSTC, FLSTF, FXSTB
17	56541-86A	CLAMP, lower, left (chrome)	FLSTC, FLSTF
	56542-86A	CLAMP, lower, right (chrome)	FLSTC, FLSTF
18	56122-77	CLAMP, lower, left	FXST, FXSTC
	56124-77	CLAMP, lower, right	FXST, FXSTC
19	56153-73	SPACER (2)	FLSTC, FLSTF, FXST, FXSTB, FXSTC
20	56159-73	CUP WASHER (4)	FLSTC, FLSTF, FXST, FXSTB, FXSTC
21	56538-88	CLAMP (2)	FLSTS, FXSTS
22	56540-88	RISER (2)	FXSTS

INDEX NO.	PART NO.	DESCRIPTION	MODEL(S)
	56548-97	RISER (2)	FLSTS
23	70197-86	CABLE, ground	FLSTC, FLSTF, FXST, FXSTB, FXSTC
<b>INTERNATIONAL MODELS ONLY</b>			
24	94331-91T	BOLT (4)	FXSTS

## THROTTLE CONTROL

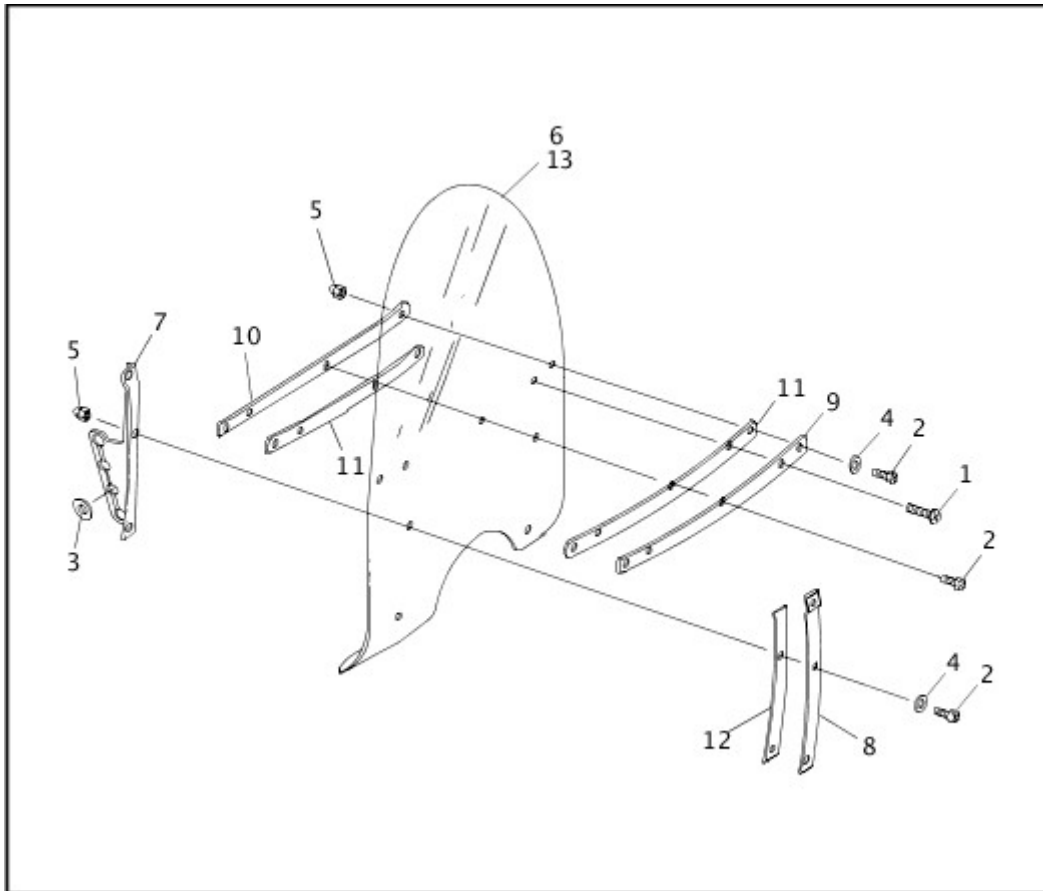


[View interactive image](#)

[View interactive table](#)

INDEX NO.	PART NO.	DESCRIPTION	MODEL(S)
1	10006	CABLE STRAP	ALL
2	10263A	CLAMP, throttle cables	FXSTS
3	10190	WIRE GUIDE, throttle cables	FLSTS
4	11155	RETAINING RING	ALL
5	11271	RETAINING RING, idle control	ALL
6	11272	RETAINING RING, throttle control	ALL
7	56206-96	GRIP, left	ALL
8	56220-94A	GRIP & SLEEVE, throttle, right	ALL
9	56305-96	IDLE CONTROL ASSEMBLY	FXSTS
	56342-96	IDLE CONTROL ASSEMBLY	FLSTC, FLSTF, FLSTS, FXST, FXSTC
	56433-98	IDLE CONTROL ASSEMBLY, w/ 11271 & 56508-76	FXSTB
10	56306-96	THROTTLE CONTROL ASSEMBLY, w/ 11272, 38653-01 & 56508-76	FXSTS
	56343-96	THROTTLE CONTROL ASSEMBLY, w/ 11272, 38653-01 & 56508-76	FLSTC, FLSTF, FLSTS, FXST, FXSTC
	56432-98	THROTTLE CONTROL ASSEMBLY, w/ 11272, 38653-01 & 56508-76	FXSTB
11	56394-74	SPRING, adjusting screw	ALL
12	56396-74A	FRICTION SPRING, throttle	ALL
13	56397-74C	ADJUSTING SCREW KIT	ALL
14	56402-83A	ADJUSTING SCREW	ALL
15	56508-76	FERRULE, control wire (2)	ALL
16	70504-81	CLIP, throttle cables	ALL
17	38653-01	BOOT, cable	ALL

## WINDSHIELD - FLSTC



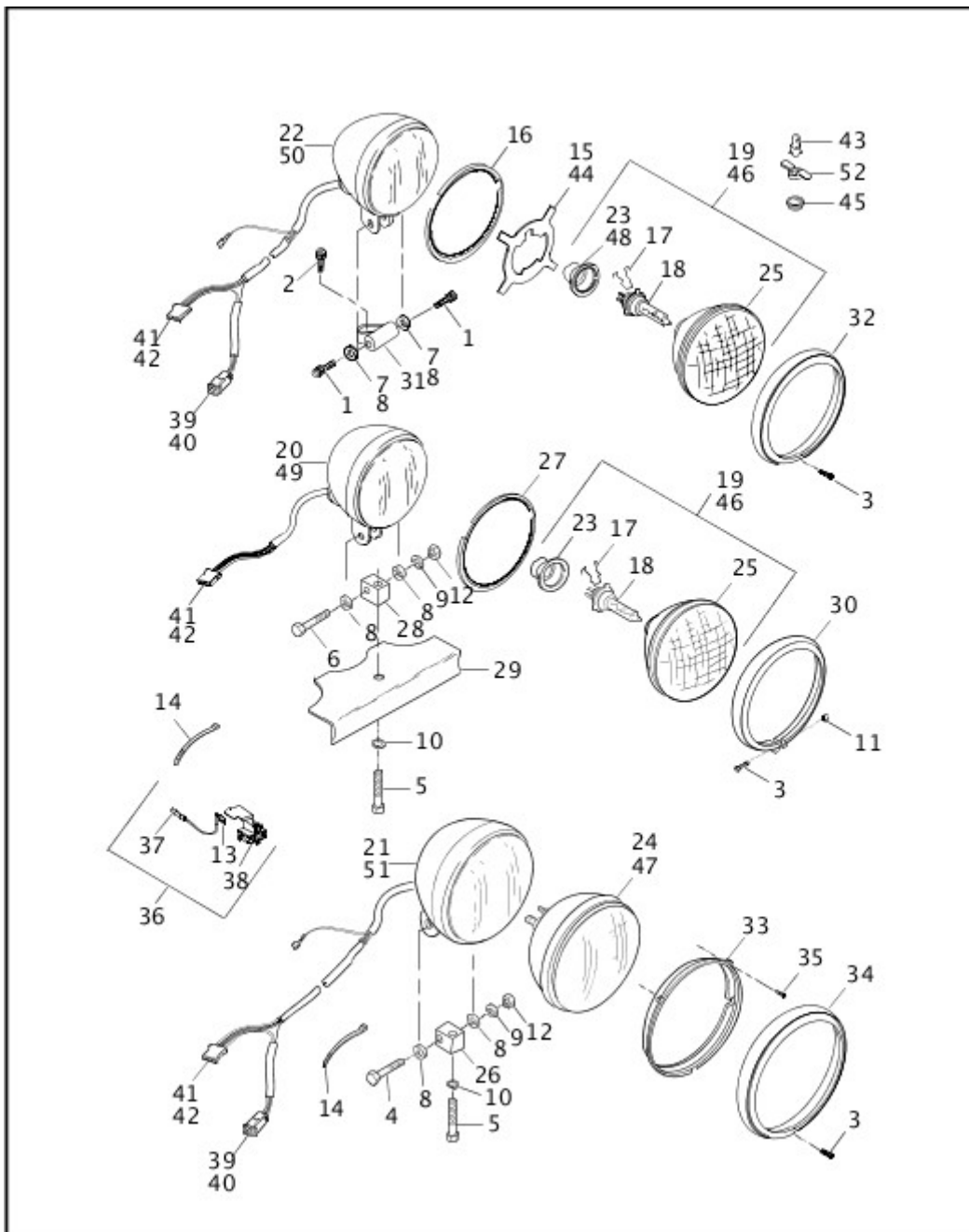
[View interactive image](#)

[View interactive table](#)

INDEX NO.	PART NO.	DESCRIPTION	MODEL(S)
1	2444	SCREW (2)	FLSTC
2	2921	SCREW (7)	FLSTC
3	6645	WASHER (4)	FLSTC
4	7073	LOCKWASHER (9)	FLSTC
5	7651A	ACORN NUT (9)	FLSTC
6	58018-86A	WINDSHIELD KIT, complete	FLSTC
	58183-97	WINDSHIELD, replacement Lexan, w/ 58416-77A & 58417-77	FLSTC
7	58078-49	ADJUSTING BRACKET, right	FLSTC
	58079-49	ADJUSTING BRACKET, left	FLSTC
8	58406-75A	BRACE, right	FLSTC
	58408-75A	BRACE, left	FLSTC
9	58411-76A	BRACE, outer	FLSTC

INDEX NO.	PART NO.	DESCRIPTION	MODEL(S)
10	58412-76A	BRACE, inner	FLSTC
11	58416-77A	TAPE (2)	FLSTC
12	58417-77	TAPE (2)	FLSTC
<b>INTERNATIONAL MODELS ONLY</b>			
13	58013-97	WINDSHIELD ASSEMBLY, complete	FLSTC
	58401-97	WINDSHIELD, replacement Lexan, w/ 58416-77A & 58417-77	FLSTC

## HEADLAMP (1 OF 2)



[View interactive image](#)

[View interactive table](#)

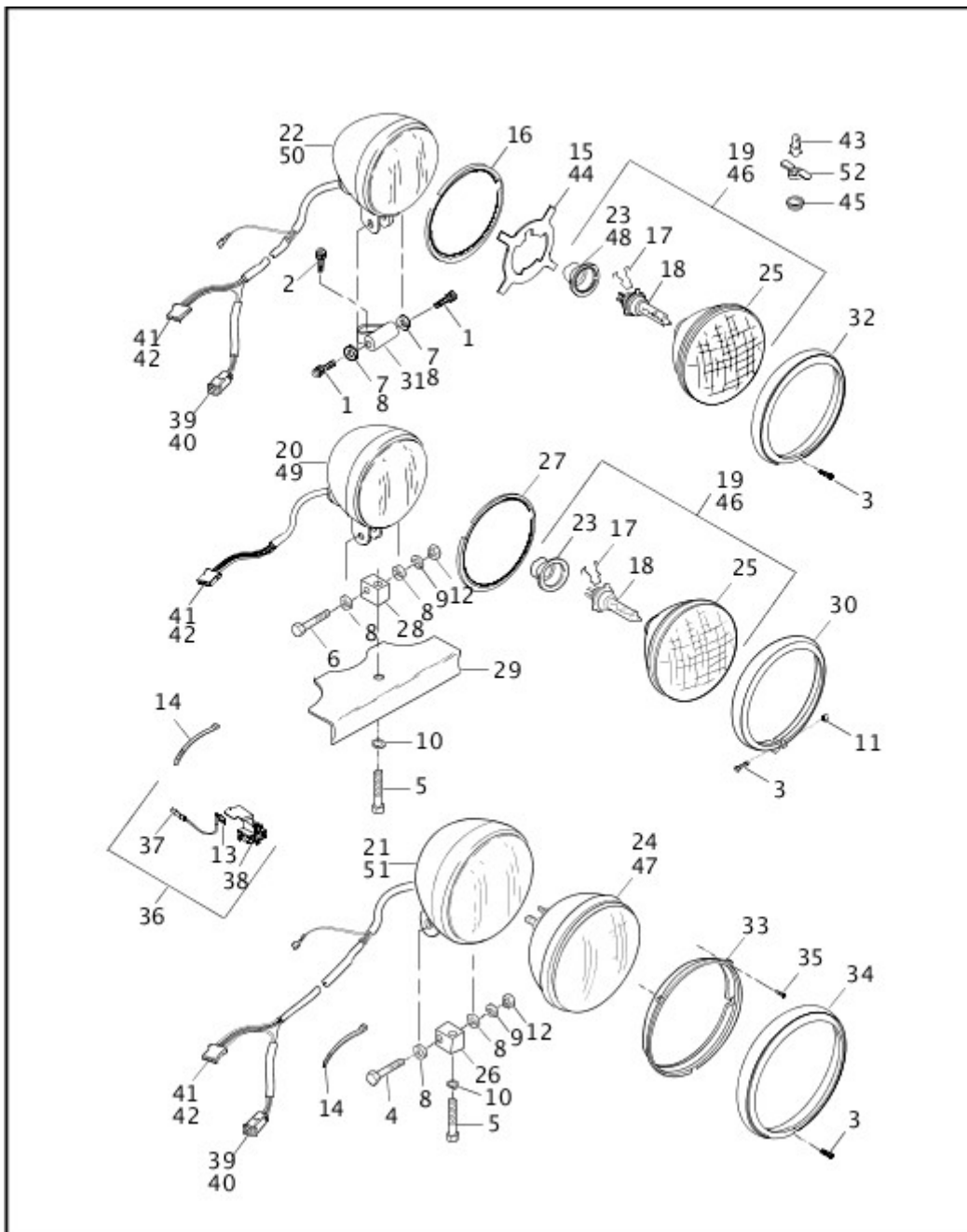
INDEX NO.	PART NO.	DESCRIPTION	MODEL(S)
1	2917	SCREW (2)	FLSTS, FXSTS
2	3214	SCREW	FLSTS, FXSTS
3	3514	SCREW	ALL
4	4411	BOLT	FLSTC, FLSTF
5	4722	BOLT	FLSTC, FLSTF, FXST, FXSTB, FXSTC
6	4724	BOLT	FXST, FXSTB, FXSTC

INDEX NO.	PART NO.	DESCRIPTION	MODEL(S)
7	6379W	WASHER (2)	FXSTS
8	6701	WASHER (2)	FLSTC, FLSTF, FLSTS, FXST, FXSTB, FXSTC
9	7038	LOCKWASHER	FLSTC, FLSTF, FXST, FXSTB, FXSTC
10	7130W	LOCKWASHER	FLSTC, FLSTF, FXST, FXSTB, FXSTC
11	7606	LOCKNUT	FXST, FXSTB, FXSTC
12	7800W	NUT	FLSTC, FLSTF, FXST, FXSTB, FXSTC
13	9847	WIRE TERMINAL, female spade, R.H.	ALL
	9848	WIRE TERMINAL, female spade, L.H. (2)	ALL
14	10065	CABLE STRAP	ALL
15	67601-94A	GASKET, headlamp	FLSTS, FXSTS
16	67603-94A	ADAPTER RING	FLSTS, FXSTS
17	67685-92	CLIP, bulb	FLSTS, FXST, FXSTB, FXSTC, FXSTS
18	68329-03	BULB, halogen H-4	FLSTS, FXST, FXSTB, FXSTC, FXSTS
19	67698-81D	LENS ASSEMBLY, w/ bulb, boot & clip, 5-3/4 inch	FLSTS, FXST, FXSTB, FXSTC, FXSTS
20	67770-96	HEADLAMP ASSEMBLY, w/ housing & wiring, 5-3/4 inch	FXST, FXSTB, FXSTC
21	67824-96A	HEADLAMP ASSEMBLY, w/ housing & wiring, 7 inch	FLSTF
	67903-96A	HEADLAMP ASSEMBLY, w/ housing & wiring, 7 inch	FLSTC
22	67841-96A	HEADLAMP ASSEMBLY, w/ housing & wiring, 5-3/4 inch	FXSTS
	67906-97A	HEADLAMP ASSEMBLY, w/ housing & wiring, 5-3/4 inch	FLSTS
23	67705-92	BOOT, connector	FLSTS, FXST, FXSTB, FXSTC, FXSTS
24	67713-86	SEALED BEAM UNIT, 7 inch	FLSTC, FLSTF
25	67757-92	LENS, w/ 67685-92	FLSTS, FXST, FXSTB, FXSTC, FXSTS
26	67768-97	MOUNTING BLOCK	FLSTC, FLSTF
27	67769-93	ADAPTER RING	FXST, FXSTB, FXSTC
28	67772-97	MOUNTING BLOCK	FXST, FXSTB, FXSTC
29	67773-80A	MOUNTING PLATE	FXST, FXSTB, FXSTC
30	67790-93A	TRIM RING (chrome)	FXST, FXSTB, FXSTC

INDEX NO.	PART NO.	DESCRIPTION	MODEL(S)
31	67892-93	MOUNTING BLOCK	FLSTS, FXSTS
32	67894-93A	TRIM RING (chrome)	FLSTS, FXSTS
33	68050-93A	RETAINING RING	FLSTC, FLSTF
34	68051-93A	TRIM RING (chrome)	FLSTC, FLSTF
35	68052-93	SCREW (3)	FLSTC, FLSTF

## HEADLAMP (2 OF 2)





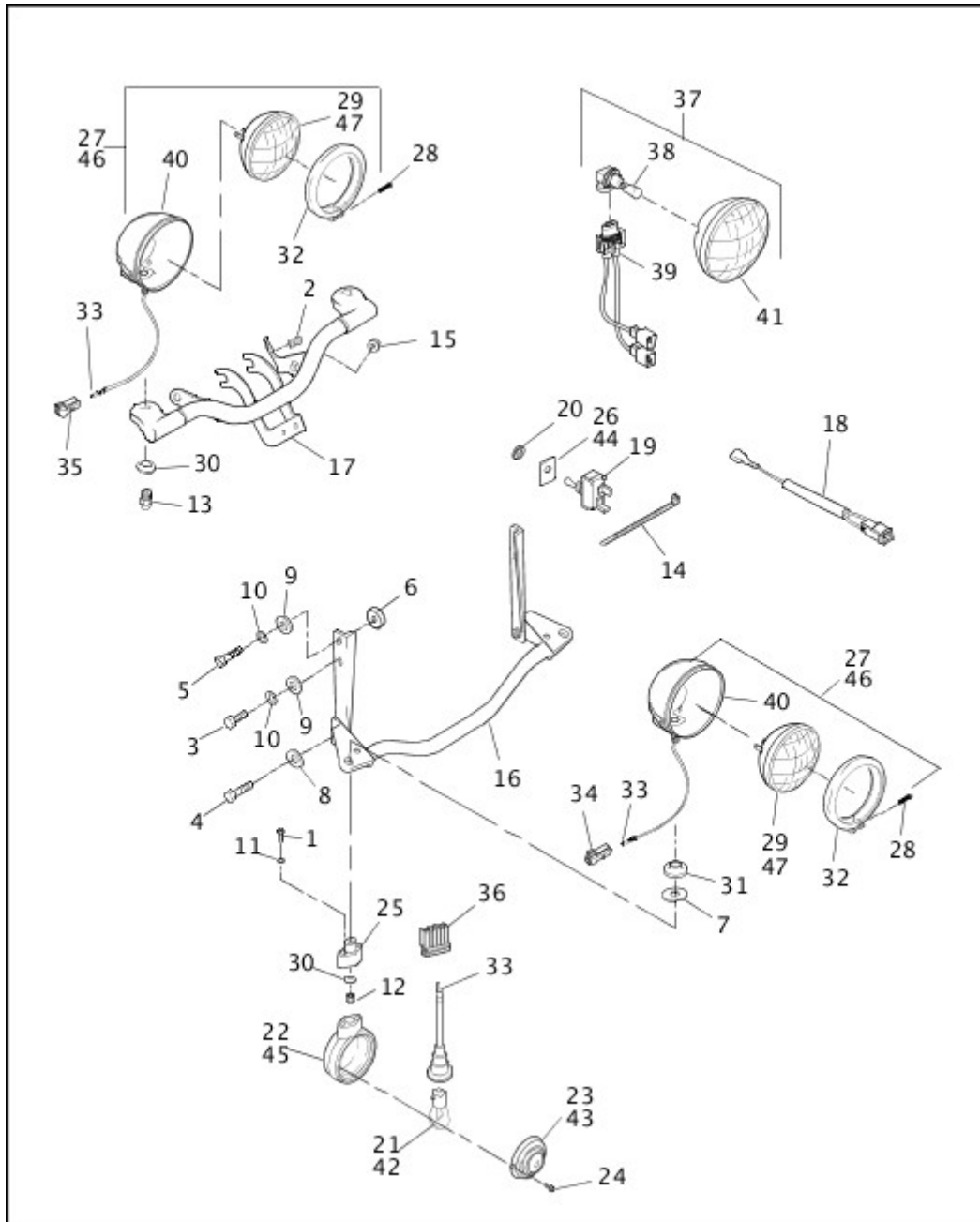
[View interactive image](#)

[View interactive table](#)

INDEX NO.	PART NO.	DESCRIPTION	MODEL(S)
36	68705-93A	CONNECTOR ASSEMBLY, headlamp, w/ wires, terminals & splice connectors	ALL
37	70586-93	CONNECTOR, butt-splice, 16-22 gauge (4)	ALL
38	72056-92	INSULATOR, spade terminal (3-way)	ALL
39	73190-96	PIN TERMINAL, 16-20 gauge (2)	FLSTC, FLSTS
40	73102-96BK	PIN HOUSING, 2-place	FLSTC, FLSTS

INDEX NO.	PART NO.	DESCRIPTION	MODEL(S)
41	73154-96BK	SOCKET HOUSING, 4-place	ALL
42	73191-96	CONTACT SOCKET, 16-20 gauge (3)	ALL
<b>INTERNATIONAL MODELS ONLY</b>			
43	53438-92	BULB, position lamp	ALL
44	67602-94	GASKET, headlamp	FLSTS, FXSTS
45	67691-92	GROMMET, position lamp	ALL
46	67763-92A	LENS ASSEMBLY, w/ bulb & boot, R.H. dip	FLSTS, FXST, FXSTB, FXSTC, FXSTS
	67781-92A	LENS ASSEMBLY, w/ bulb & boot, L.H. dip	FLSTS, FXST, FXSTB, FXSTC, FXSTS
47	67793-92A	LENS ASSEMBLY, w/ bulb & boot, R.H. dip	FLSTC, FLSTF
	67801-92A	LENS ASSEMBLY, w/ bulb & boot, L.H. dip	FLSTC, FLSTF
48	67798-92	BOOT	FLSTC, FLSTF
49	67656-96	HEADLAMP, complete, w/ wiring, 5-3/4 inch (L.H. dip)	FXST, FXSTB, FXSTC
	67653-96	HEADLAMP, complete, w/ wiring, 5-3/4 inch (R.H. dip)	FXST, FXSTB, FXSTC
50	67655-96A	HEADLAMP, complete, w/ wiring, 5-3/4 inch (L.H. dip)	FLSTS, FXSTS
	67652-96A	HEADLAMP, complete, w/ wiring, 5-3/4 inch (R.H. dip)	FLSTS, FXSTS
51	67904-96	HEADLAMP, complete, w/ wiring, 7 inch (R.H. dip)	FLSTC
	67905-96	HEADLAMP, complete, w/ wiring, 7 inch (L.H. dip)	FLSTC
	67920-96	HEADLAMP, complete, w/ wiring, 7 inch (L.H. dip) (Australia)	FLSTC
	67654-96	HEADLAMP, complete, w/ wiring, 7 inch (R.H. dip)	FLSTF
	67659-96	HEADLAMP, complete, w/ wiring, 7 inch (L.H. dip)	FLSTF
52	68650-92	SOCKET, position lamp	FLSTS, FXST, FXSTB, FXSTC, FXSTS
	68654-92	SOCKET, position lamp	FLSTC, FLSTF

**AUXILIARY/FOG LAMPS - FLSTC & FLSTS, FRONT TURN SIGNALS - FLSTC (1 OF 2)**



[View interactive image](#)

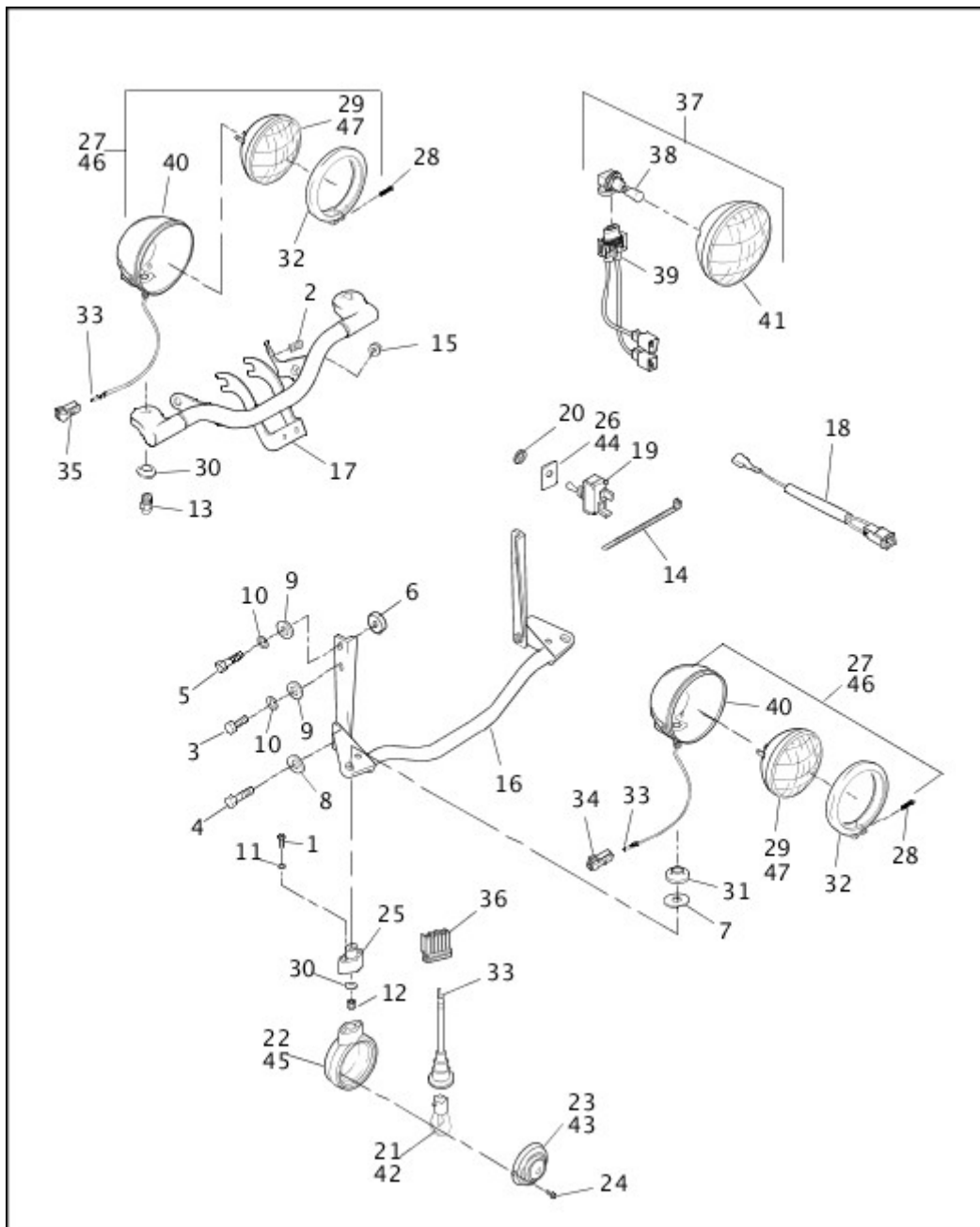
[View interactive table](#)

INDEX NO.	PART NO.	DESCRIPTION	MODEL(S)
1	2647B	SCREW (4)	FLSTC
2	3538	SCREW (2)	FLSTS
3	3960W	BOLT (2)	FLSTC
4	4014W	BOLT (2)	FLSTC
5	4036	BOLT (2)	FLSTC
6	5885	SPACER (2)	FLSTC

INDEX NO.	PART NO.	DESCRIPTION	MODEL(S)
7	6072	WASHER, belleville (2)	FLSTC
8	6109	WASHER (2)	FLSTC
9	6645	WASHER (4)	FLSTC
10	7041	LOCKWASHER (4)	FLSTS
10	7041	LOCKWASHER (6)	FLSTC
11	7069	LOCKWASHER (4)	FLSTC
12	7778	LOCKNUT (2)	FLSTC
13	7892	NUT, auxiliary lamp (2)	FLSTS
14	10006	CABLE STRAP	FLSTC
	10065	CABLE STRAP (2)	FLSTS
15	11410	GROMMET (2)	FLSTS
16	57852-02A	BRACKET, auxiliary lamps	FLSTC
17	58089-97	BRACKET, auxiliary lamps	FLSTS
18	67615-96	WIRING HARNESS, auxiliary lamps	FLSTC
19	67858-89	TOGGLE SWITCH, auxiliary lamps	FLSTC, FLSTS
	67915-97	TOGGLE SWITCH ASSEMBLY, auxiliary lamps, w/ wire harness	FLSTS
20	67846-70	NUT, toggle switch	FLSTC, FLSTS
21	68168-89A	BULB, turn signal (2)	FLSTC
22	68766-94	TURN SIGNAL, front (2)	FLSTC
23	68440-86	LENS, turn signal (amber) (2)	FLSTC
24	68452-86	SCREW (4)	FLSTC
25	68519-68A	MOUNTING BRACKET (2)	FLSTC
26	68619-83	LABEL, auxiliary lamp switch	FLSTS
	68798-97	LABEL, auxiliary lamp switch	FLSTC
27	68671-69D	AUXILIARY LAMP ASSEMBLY, w/ 3514, 68683-02 & 68725-62A (2)	FLSTC, FLSTS
28	68672-38	SCREW, auxiliary lamp molding (2)	FLSTC, FLSTS

INDEX NO.	PART NO.	DESCRIPTION	MODEL(S)
29	68674-69A	SEALED UNIT, auxiliary lamps (use 68348-05) (2)	FLSTC, FLSTS
30	68720-62	CLAMP BLOCK, auxiliary lamps (2)	FLSTC, FLSTS
31	68721-62	SWIVEL BLOCK, auxiliary lamps (2)	FLSTC
32	68725-62A	MOLDING, auxiliary lamps (2)	FLSTC, FLSTS
33	73191-96	SOCKET CONTACT, 16-20 gauge (8)	FLSTC, FLSTS
34	73152-96BK	SOCKET HOUSING, 2-place	FLSTC
35	73152-96WE	SOCKET HOUSING, 2-place (white)	FLSTS
36	73156-96BK	SOCKET HOUSING, 6-place	FLSTC
37	68348-05	AUXILIARY LAMP KIT, passing lamps, w/ 68355-05 & 68414-05 (replaces 68674-69A) (2)	FLSTC, FLSTS
38	68453-05	BULB, turn signal (used w/ 68414-05)	FLSTC, FLSTC
39	68355-05	WIRE HARNESS (2)	FLSTC, FLSTS
40	68683-02	HOUSING, lamp (chrome)	FLSTC, FLSTS
41	68414-05	AUXILIARY LAMP, passing lamps, w/ 68453-05 (used w/ 68348-05) (2)	FLSTC, FLSTS

**AUXILIARY/FOG LAMPS - FLSTC & FLSTS, FRONT TURN SIGNALS - FLSTC (2 OF 2)**



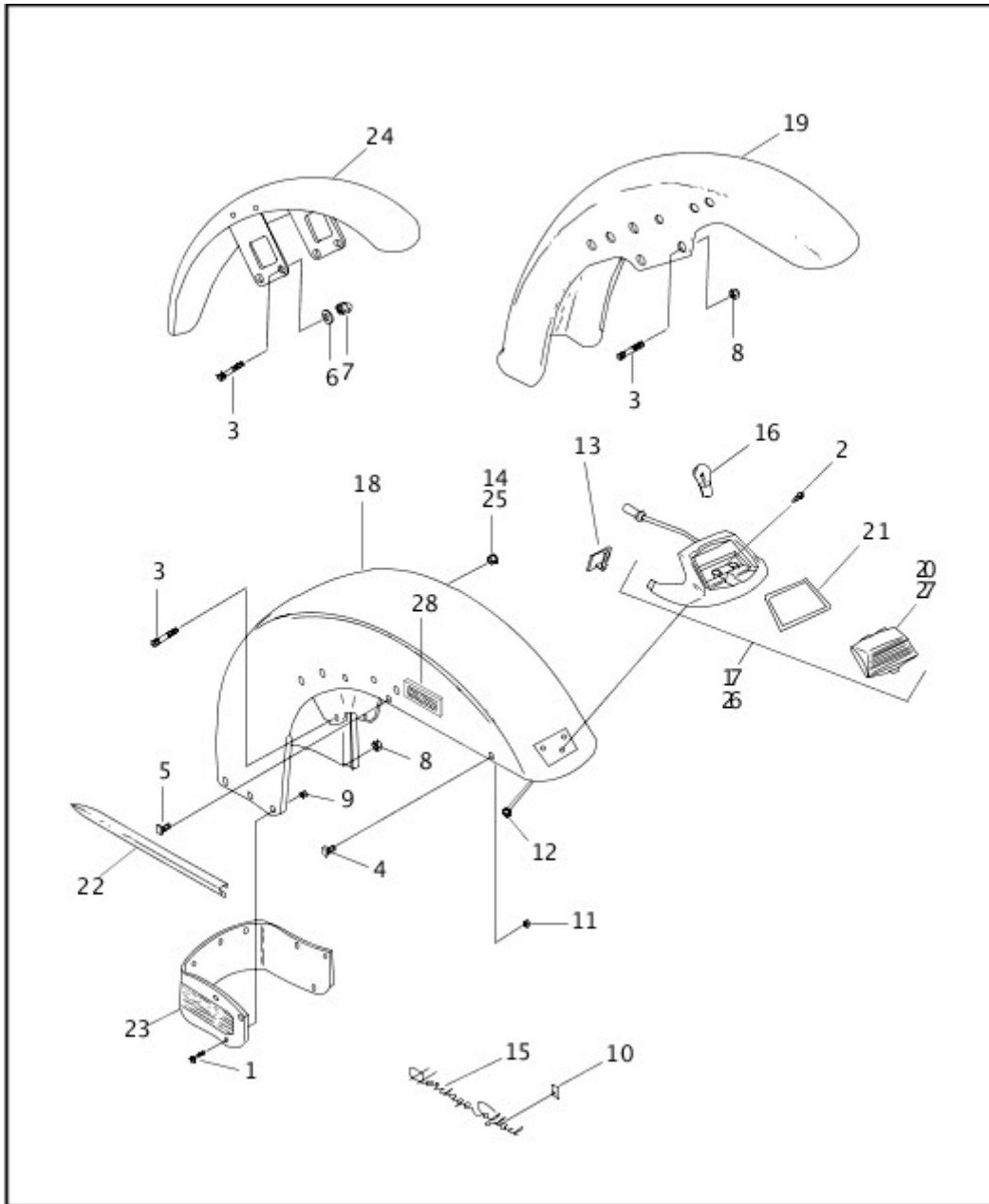
View interactive image

View interactive table

INDEX NO.	PART NO.	DESCRIPTION	MODEL(S)
<b>INTERNATIONAL MODELS ONLY</b>			
42	68163-84	BULB, turn signal (HDI) (2)	FLSTC
43	68505-90	LENS, turn signal (amber) (HDI) (2)	FLSTC
44	68730-98	LABEL, fog lamp switch (HDI)	FLSTS
	68731-98	LABEL, fog lamp switch (HDI)	FLSTC
45	68767-94	TURN SIGNAL (HDI) (2)	FLSTC

INDEX NO.	PART NO.	DESCRIPTION	MODEL(S)
46	68846-98C	FOG LAMP ASSEMBLY (HDI) (2)	FLSTC, FLSTS
47	68847-98A	SEALED UNIT, fog lamps (HDI) (2)	FLSTC, FLSTS

## FRONT FENDER - FXST, FXSTB, FXSTC, FLSTC & FLSTF



[View interactive image](#)

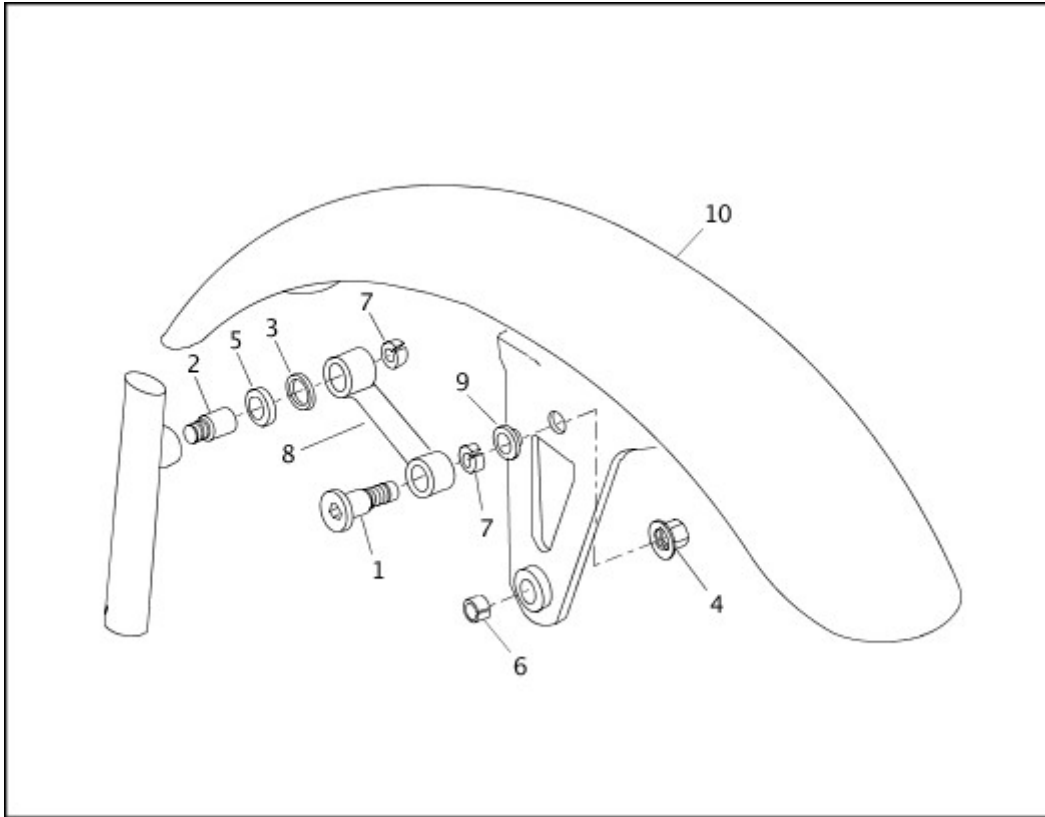
[View interactive table](#)

INDEX NO.	PART NO.	DESCRIPTION	MODEL(S)
<b>NOTE: Refer to Painted Parts Book for painted part numbers.</b>			
1	2531	SCREW (8)	FLSTC

INDEX NO.	PART NO.	DESCRIPTION	MODEL(S)
2	2604	SCREW (2)	FLSTC
3	3485A	SCREW (4)	FLSTC, FLSTF, FXST, FXSTB, FXSTC
4	3560WA	BOLT (2)	FLSTC
5	3561WC	BOLT (2)	FLSTC
6	6702	WASHER (4)	FXST, FXSTB, FXSTC
7	7507	ACORN NUT (4)	FXST, FXSTB, FXSTC
8	7531	LOCKNUT (4)	FLSTC, FLSTF
9	7600	NUT (8)	FLSTC
10	7613A	PUSH NUT (6)	FLSTC
11	7624	LOCKNUT (4)	FLSTC
12	7629	NUT (2)	FLSTC
13	10102	CLIP, self-adhesive	FLSTC
14	11437	GROMMET	FLSTC
15	14142-86A	TRIM, "Heritage Softail" (2)	FLSTC
16	53439-79	BULB, fender tip lamp	FLSTC
17	59082-96	LAMP ASSEMBLY	FLSTC
18	59129-86A	FENDER (prime)	FLSTC
19	59139-97	FENDER (prime)	FLSTF
20	59180-80	LENS, fender lamp (amber)	FLSTC
21	59181-80	GASKET, fender lamp lens	FLSTC
22	59211-74A	SIDE TRIM (2)	FLSTC
23	59235-86	TRIM SKIRT, lower (black)	FLSTC
24	59924-80B	FENDER (prime)	FXST, FXSTB, FXSTC
<b>INTERNATIONAL MODELS ONLY</b>			
25	755	HOLE PLUG (HDI)	FLSTC
26	59116-96	FENDER TIP ASSEMBLY (HDI)	FLSTC
27	59201-96	LENS, fender tip (chrome) (HDI)	FLSTC
28	59254-91	REFLECTOR (amber) (HDI) (2)	FLSTC

## FRONT FENDER - FXSTS



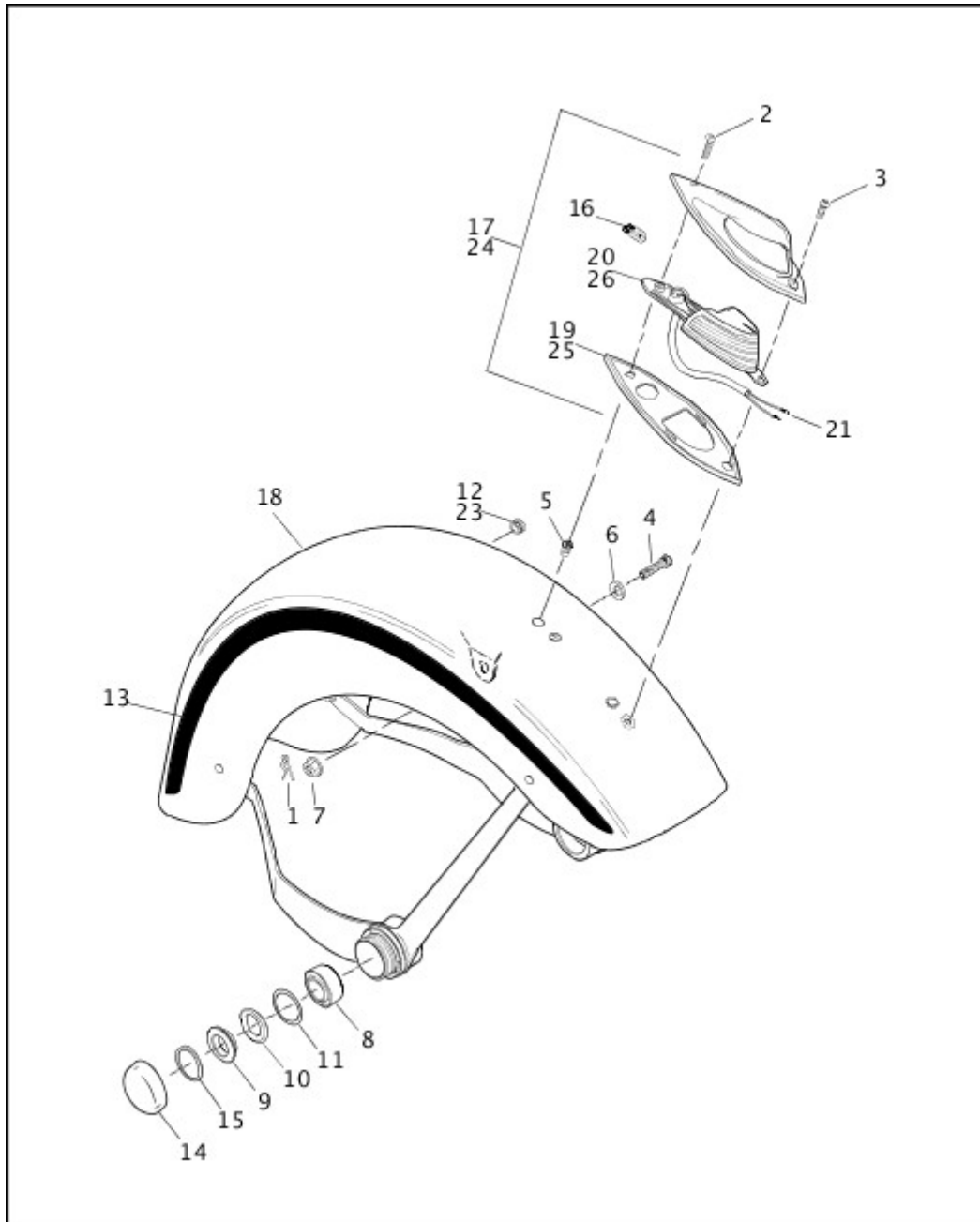


View interactive image

View interactive table

INDEX NO.	PART NO.	DESCRIPTION	MODEL(S)
<b>NOTE: Refer to Painted Parts Book for painted part numbers.</b>			
1	2723A	SCREW, shoulder (2)	FXSTS
2	2738	PIVOT SHAFT (2)	FXSTS
3	6409	WASHER (2)	FXSTS
4	7531	LOCKNUT (2)	FXSTS
5	11244	SPACER (rubber) (2)	FXSTS
6	33714-90B	BEARING	FXSTS
7	33720-93	BEARING (4)	FXSTS
8	41042-93	PIVOT LINK, w/ 33720-93 (2)	FXSTS
9	59043-93	INSERT, fender (2)	FXSTS
10	59176-96A	FENDER (prime)	FXSTS

**FRONT FENDER - FLSTS**



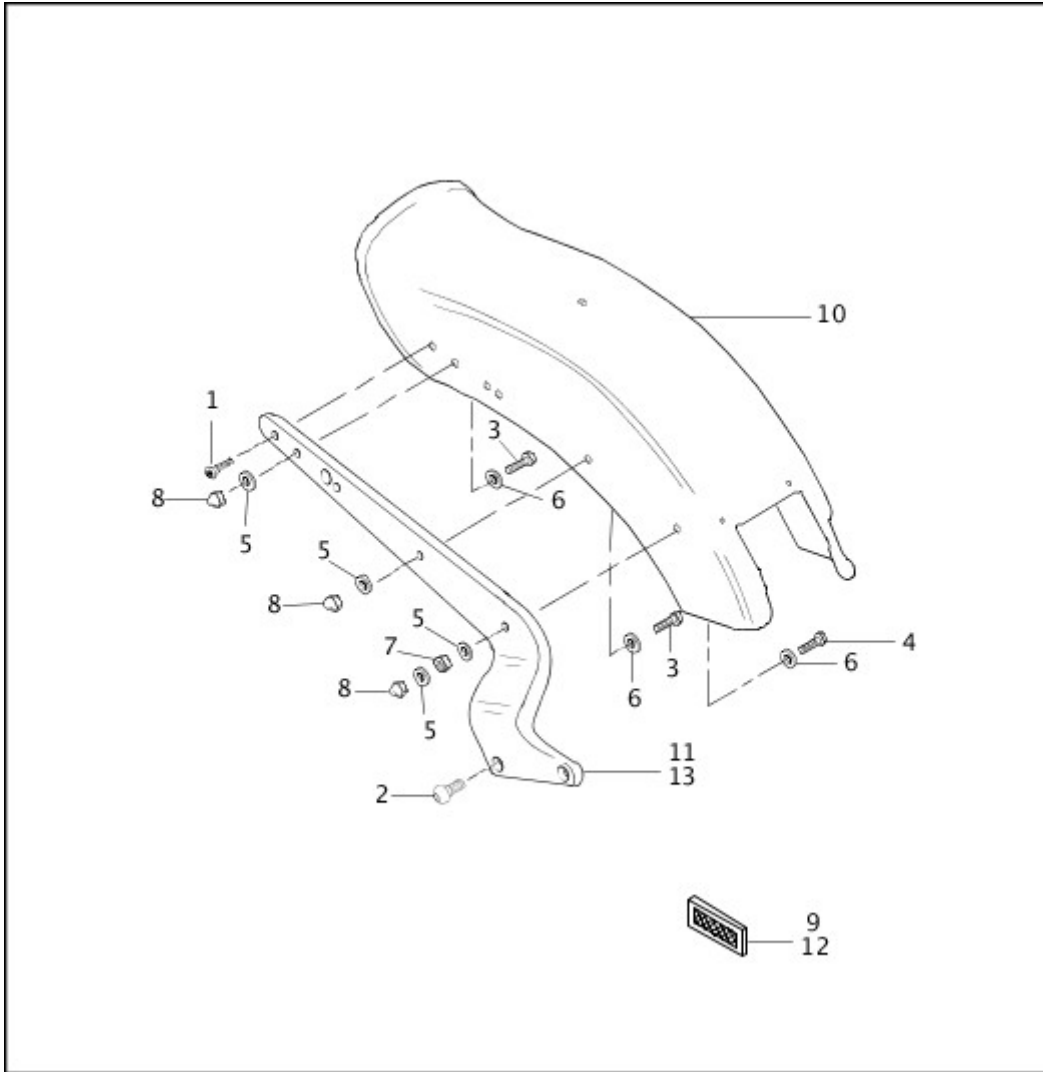
View interactive image

View interactive table

INDEX NO.	PART NO.	DESCRIPTION	MODEL(S)
<b>NOTE: Refer to Painted Parts Book for painted part numbers.</b>			
1	509	SPRING PIN	FLSTS
2	2447	SCREW	FLSTS
3	2448	SCREW	FLSTS
4	3268	SCREW, w/ hole for spring clip	FLSTS
5	5216	CRIMP NUT	FLSTS

INDEX NO.	PART NO.	DESCRIPTION	MODEL(S)
6	6109	WASHER	FLSTS
7	7739	LOCKNUT	FLSTS
8	9194	SPHERICAL BEARING (2)	FLSTS
9	9196	SPACER, right	FLSTS
10	9207	NYLON INSERT, w/ 11261 (2)	FLSTS
11	11261	O-RING (2)	FLSTS
12	11437	GROMMET	FLSTS
13	13936-99	DECAL, front fender, left (silver)	FLSTS
	13937-99	DECAL, front fender, right (silver)	FLSTS
	13942-99	DECAL, front fender, left (black)	FLSTS
	13943-99	DECAL, front fender, right (black)	FLSTS
	13948-99	DECAL, front fender, left (gray)	FLSTS
	13949-99	DECAL, front fender, right (gray)	FLSTS
14	43466-97	FENDER HUB CAP (2)	FLSTS
15	43467-97	SEAL, fender hub cap (2)	FLSTS
16	52441-95	BULB, front fender	FLSTS
17	59118-97	LAMP ASSEMBLY, front fender (replaces 59357-97)	FLSTS
18	59164-97A	FENDER (prime)	FLSTS
19	59355-97	MOUNTING PAD, fender lamp	FLSTS
20	59357-97	LENS ASSEMBLY, fender lamp (use 59118-97)	FLSTS
21	73191-96	CONTACT SOCKET (2)	FLSTS
22	9268	SPACER, left, axle nut (not illustrated)	FLSTS
<b>INTERNATIONAL MODELS ONLY</b>			
23	755	PLUG	FLSTS
24	59122-97	DECORATIVE LENS ASSEMBLY (HDI)	FLSTS
25	59355-97	MOUNTING PAD, fender lamp (HDI)	FLSTS
26	59358-97	LENS, front fender (chrome) (HDI)	FLSTS

## REAR FENDER & SUPPORTS - FXST, FXSTC, FXSTS & FXSTB



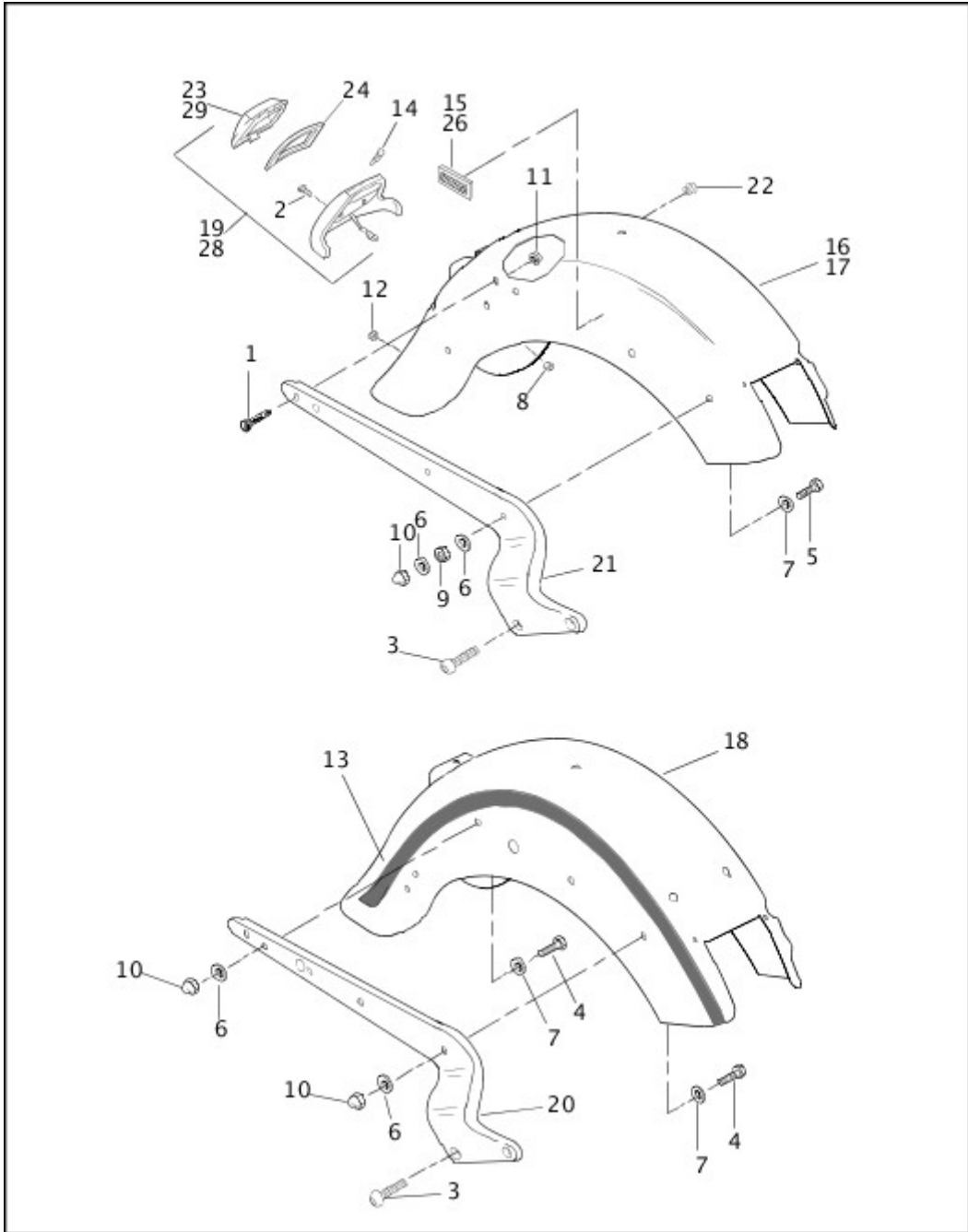
[View interactive image](#)

[View interactive table](#)

INDEX NO.	PART NO.	DESCRIPTION	MODEL(S)
<b>NOTE: Refer to Painted Parts Book for painted part numbers.</b>			
1	2005	SCREW (4)	FXST, FXSTB, FXSTC, FXSTS
2	94605-98	SCREW (4)	FXST, FXSTB, FXSTC, FXSTS
3	4716W	SCREW (4)	FXST, FXSTB, FXSTC, FXSTS
4	4721	BOLT (2)	FXST, FXSTB, FXSTC, FXSTS
5	6379W	WASHER (8)	FXST, FXSTB, FXSTC, FXSTS
6	6701	WASHER (6)	FXST, FXSTB, FXSTC, FXSTS
7	7643W	JAMNUT (2)	FXST, FXSTB, FXSTC, FXSTS
8	7680W	ACORN NUT (6)	FXST, FXSTB, FXSTC, FXSTS
9	59255-91	REFLECTOR, rectangular (red) (2)	FXST, FXSTB, FXSTC, FXSTS

INDEX NO.	PART NO.	DESCRIPTION	MODEL(S)
10	59753-97	FENDER ASSEMBLY (prime)	FXST, FXSTB, FXSTC, FXSTS
11	59955-86A	SUPPORT, right (replaces 60058-99) (chrome)	FXST, FXSTB, FXSTC, FXSTS
	59954-86A	SUPPORT, left (replaces 60059-99) (chrome)	FXST, FXSTB, FXSTC, FXSTS
	60058-99	SUPPORT, right (use 59955-86A) (black wrinkle)	FXSTB
	60059-99	SUPPORT, left (use 59954-86A) (black wrinkle)	FXSTB
<b>INTERNATIONAL MODELS ONLY</b>			
12	59254-91	REFLECTOR (amber) (2)	FXST, FXSTC, FXSTS
13	59964-86A	SUPPORT, right (chrome) (HDI)	FXST, FXSTC, FXSTS
	59969-86A	SUPPORT, left (chrome) (HDI)	FXST, FXSTC, FXSTS
	60068-98	SUPPORT, right (black wrinkle) (HDI)	FXSTB
	60069-98	SUPPORT, left (black wrinkle) (HDI)	FXSTB

## REAR FENDER & SUPPORTS - FLSTC, FLSTF & FLSTS



[View interactive image](#)

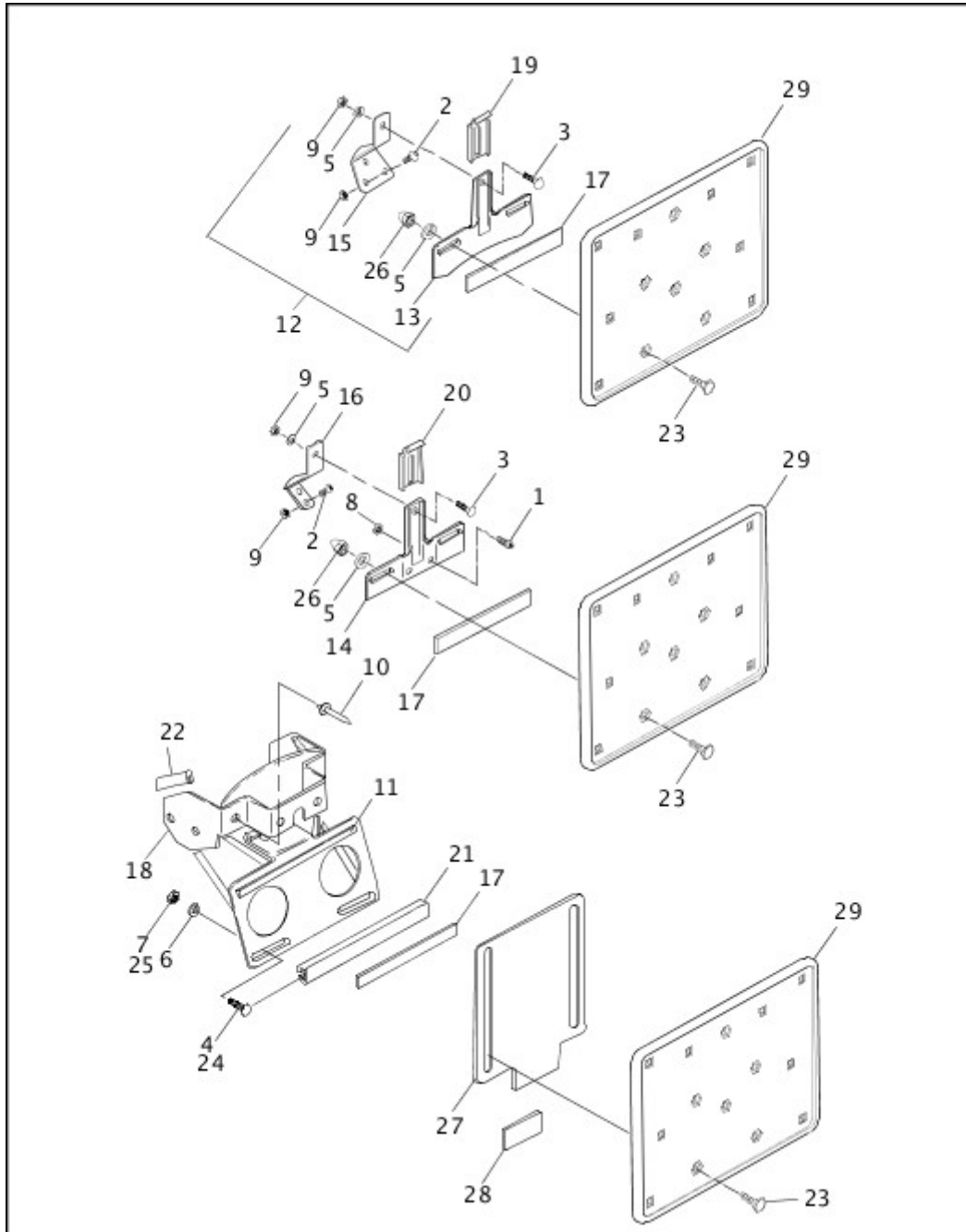
[View interactive table](#)

INDEX NO.	PART NO.	DESCRIPTION	MODEL(S)
<b>NOTE: Refer to Painted Parts Book for painted part numbers.</b>			
1	2005	SCREW (2)	FLSTC, FLSTF
2	2604	SCREW (2)	FLSTC
3	94605-98	SCREW (4)	FLSTC, FLSTF, FLSTS
4	4716W	SCREW (4)	FLSTF, FLSTS
5	4721	BOLT (2)	FLSTC, FLSTF

INDEX NO.	PART NO.	DESCRIPTION	MODEL(S)
6	6379W	WASHER (4)	FLSTC, FLSTF, FLSTS
7	6701	WASHER (2)	FLSTC, FLSTF, FLSTS
8	7629	NUT (2)	FLSTC
9	7643W	JAMNUT (2)	FLSTC, FLSTF
10	7680W	ACORN NUT (2)	FLSTC
10	7680W	ACORN NUT (4)	FLSTF, FLSTS
11	7775	LOCKNUT (2)	FLSTC, FLSTF
12	11437	GROMMET	FLSTC
13	13934-99	DECAL, rear fender, LH (silver)	FLSTS
	13935-99	DECAL, rear fender, RH (silver)	FLSTS
	13940-99	DECAL, rear fender, LH (black)	FLSTS
	13941-99	DECAL, rear fender, RH (black)	FLSTS
	13946-99	DECAL, rear fender, LH (gray)	FLSTS
	13947-99	DECAL, rear fender, RH (gray)	FLSTS
14	53439-79	BULB, rear fender tip lamp	FLSTC
15	59255-91	REFLECTOR, rectangular (red) (2)	FLSTC, FLSTF
16	59754-97	FENDER ASSEMBLY (primed)	FLSTF
17	59755-97	FENDER ASSEMBLY (primed)	FLSTC
18	59757-97	FENDER ASSEMBLY (primed)	FLSTS
19	59659-96	LAMP ASSEMBLY, rear fender tip	FLSTC
20	59955-86A	SUPPORT, right (chrome)	FLSTS
	59954-86A	SUPPORT, left (chrome)	FLSTS
21	59964-86A	SUPPORT, right (chrome)	FLSTC, FLSTF
	59969-86A	SUPPORT, left (chrome)	FLSTC, FLSTF
22	67055-92	GROMMET, turn signal	FLSTC
23	68046-79	LENS, rear fender lamp	FLSTC
24	68047-79	GASKET, rear fender lamp	FLSTC
<b>INTERNATIONAL MODELS ONLY</b>			
25	59251-90	REFLECTOR ASSEMBLY, rear (red) w/ 59259-90 (not illustrated)	FLSTC, FLSTF, FLSTS

INDEX NO.	PART NO.	DESCRIPTION	MODEL(S)
26	59254-91	REFLECTOR (amber) (2)	FLSTF
27	59259-90	REFLECTOR, red (not illustrated)	FLSTC, FLSTF, FLSTS
28	59117-96	FENDER TIP ASSEMBLY (HDI)	FLSTC
29	68081-96	LENS, rear fender tip, chrome (HDI)	FLSTC

## LICENSE PLATE BRACKETS



[View interactive image](#)

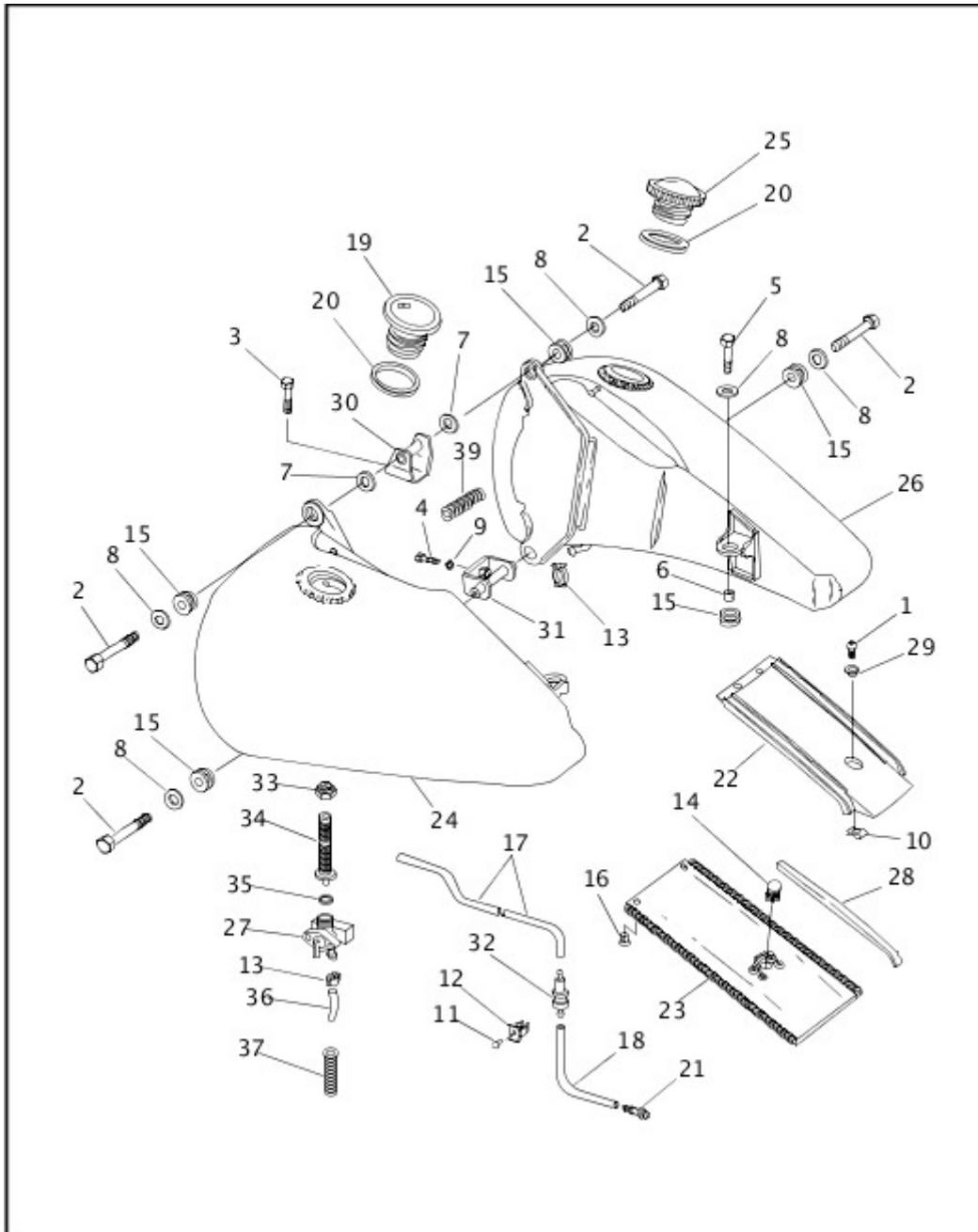
[View interactive table](#)



INDEX NO.	PART NO.	DESCRIPTION	MODEL(S)
1	2604	SCREW (2)	FLSTS
2	2773	SCREW (2)	FLSTS
2	2773	SCREW (3)	FLSTC, FLSTF
3	5403B	BOLT	FLSTC, FLSTF, FLSTS
4	5465	BOLT (2)	FXST, FXSTB, FXSTC, FXSTS
5	6703	WASHER (3)	FLSTC, FLSTF, FLSTS
5	6703	WASHER (5)	FXST, FXSTB, FXSTC, FXSTS
6	6716	WASHER (2)	FXST, FXSTB, FXSTC, FXSTS
7	7624	LOCKNUT (2)	FXST, FXSTB, FXSTC, FXSTS
8	7629	NUT (2)	FLSTS
9	7792	NUT (3)	FLSTS
9	7792	NUT (4)	FLSTC, FLSTF
9	7792	NUT (5)	FXST, FXSTB, FXSTC, FXSTS
10	8483A	POP RIVET (2)	FXST, FXSTB, FXSTC, FXSTS
11	52092-77	FOAM TAPE	FXST, FXSTB, FXSTC, FXSTS
12	59626-84	LICENSE PLATE BRACKET ASSEMBLY	FLSTC, FLSTF
13	59984-73	BRACKET, license plate	FLSTC, FLSTF
14	60020-97	BRACKET, license plate	FLSTS
15	59986-75	SUPPORT, license plate	FLSTC, FLSTF
16	60021-97	SUPPORT, license plate	FLSTS
17	59988-72A	REFLECTOR	ALL
18	59993-80B	LICENSE PLATE BRACKET ASSEMBLY	FXST, FXSTB, FXSTC, FXSTS
19	60001-55	CLAMP	FLSTC, FLSTF
20	60003-89	CLAMP	FLSTS

INDEX NO.	PART NO.	DESCRIPTION	MODEL(S)
21	60005-77	CLAMP	FXST, FXSTB, FXSTC, FXSTS
22	61648-85	MOULDING (2)	FXST, FXSTB, FXSTC, FXSTS
<b>INTERNATIONAL MODELS ONLY</b>			
23	3689	BOLT (3)	FLSTC, FLSTF, FLSTS
23	3689	BOLT (5)	FXST, FXSTB, FXSTC, FXSTS
24	3767B	BOLT (HDI) (2)	FXST, FXSTB, FXSTC, FXSTS
	7036	WASHER (HDI) (2)	FXST, FXSTB, FXSTC, FXSTS
25	7688	NUT (HDI) (2)	FXST, FXSTB, FXSTC, FXSTS
26	31589-80	ACORN NUT (3)	FLSTC, FLSTF, FLSTS
27	59262-90B	REFLECTOR ASSEMBLY, rear (red) includes bracket & reflector (HDI)	FXST, FXSTB, FXSTC, FXSTS
28	59259-90	REFLECTOR, red	FXST, FXSTB, FXSTC, FXSTS
29	60026-97	LICENSE PLATE BRACKET (HDI)	ALL

## FUEL TANK



View interactive image

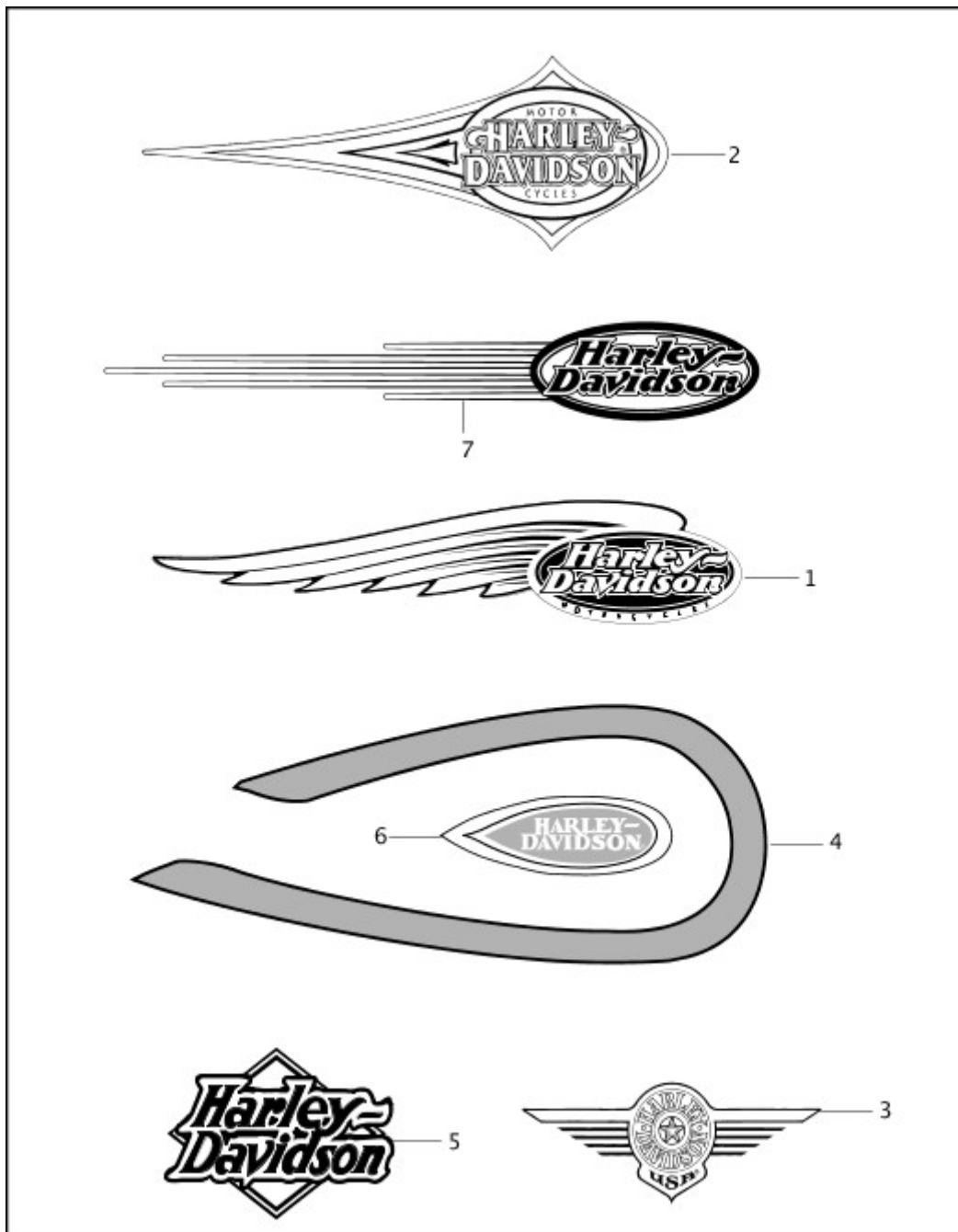
View interactive table

INDEX NO.	PART NO.	DESCRIPTION	MODEL(S)
<b>NOTE: Refer to Painted Parts Book for painted part numbers.</b>			
1	941	SCREW	FLSTC, FXST, FXSTB, FXSTC, FXSTS
2	3445	BOLT (4)	ALL
3	94331-91T	BOLT	ALL
4	3987	BOLT (2)	ALL

INDEX NO.	PART NO.	DESCRIPTION	MODEL(S)
5	4014W	BOLT (2)	ALL
6	5775	WASHER (2)	ALL
7	6365	WASHER (2)	ALL
8	6645	WASHER (6)	ALL
9	7041	LOCKWASHER (2)	ALL
10	8108	SPEEDNUT	FLSTC, FXST, FXSTB, FXSTC, FXSTS
11	8476	RIVET	ALL
12	9890	CLIP, vapor valve	ALL
13	10014	CLAMP, fuel hose (4)	ALL
14	10040	CLIP	FLSTF, FLSTS
15	11447	GROMMET, fuel tank mounting (6)	ALL
16	11717	FASTENING GROMMET (2)	FLSTF, FLSTS
17	27093-92A	HOSE, tank to vapor valve	ALL
18	27102-92	HOSE, valve to air	ALL
19	61103-83B	CAP, fuel filler, left	ALL
20	61109-85D	GASKET (2)	ALL
21	61131-92	CONNECTION, ventline	ALL
22	61155-84B	TRIM, fuel tank, w/ 29	FLSTC, FXST, FXSTB, FXSTC, FXSTS
23	61165-89B	TRIM PANEL, w/ 10040 & 11717	FLSTF
	60993-99	TRIM PANEL, w/ 10040 & 11717 (black)	FLSTS
24	61228-97	FUEL TANK, left, 5.2 gallon (prime)	FXST, FXSTB, FXSTC
	61426-97	FUEL TANK, left, 4.2 gallon (prime)	FLSTC, FLSTF, FLSTS, FXSTS
25	61272-92C	CAP, fuel filler, right	ALL
26	61290-97	FUEL TANK, right, 4.2 gallon (prime)	FLSTC, FLSTF, FLSTS, FXSTS
	61291-97	FUEL TANK, right, 5.2 gallon (prime)	FXST, FXSTB, FXSTC

INDEX NO.	PART NO.	DESCRIPTION	MODEL(S)
27	61338-94D	FUEL VALVE, only	ALL
28	61640-84	FOAM STRIP (2)	ALL
29	61641-84	SPACER, trim	FLSTC, FXST, FXSTB, FXSTC, FXSTS
30	61660-85	BRACKET, fuel tank mounting, upper	ALL
31	61667-90A	BRACKET, fuel tank mounting, lower	ALL
32	62150-85	VAPOR VALVE	ALL
33	62161-02	NUT, fuel valve	ALL
34	62166-81A	FILTER, fuel valve	ALL
35	62172-02	GASKET, fuel valve	ALL
36	62356-95	FUEL HOSE, preformed	ALL
37	61450-95	FUEL FILLER RESTRICTOR KIT (not illustrated) (Required w/ catalytic mufflers.)	ALL
38	14456-95	DECAL, unleaded fuel (California) (not illustrated)	ALL
<b>NOTE: Hose or insulator is sold in bulk length under the following part numbers. Cut to length.</b>			
39	62555-95	INSULATOR, 1/2 inch I.D. (nylon) (8 feet)	ALL
<b>INTERNATIONAL MODELS ONLY</b>			
40	14456-95	DECAL, unleaded fuel (United Kingdom, Switzerland) (not illustrated)	ALL

## FUEL TANK TRIM



[View interactive image](#)

[View interactive table](#)

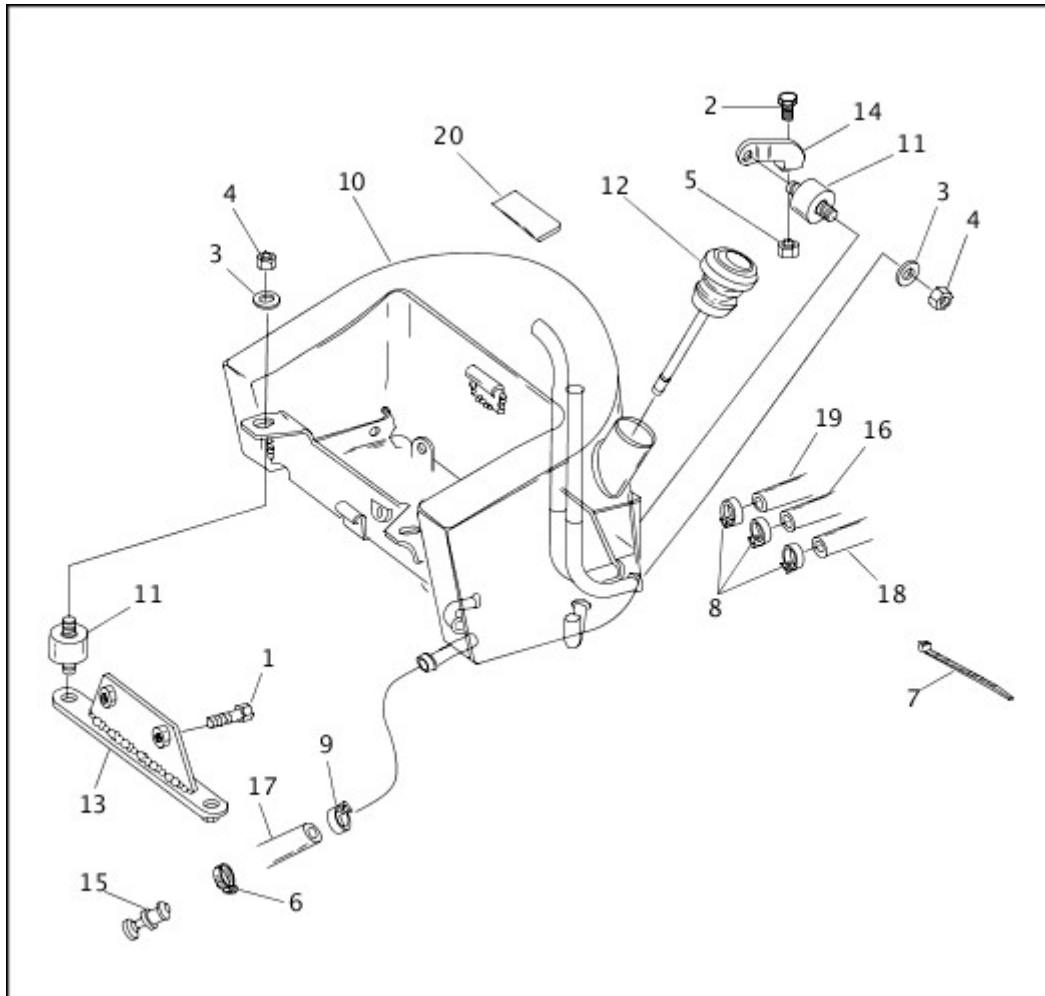
INDEX NO.	PART NO.	DESCRIPTION	MODEL(S)
1	13914-99	DECAL, left (burgundy/medium silver/red)	FXSTC, FXSTS
	13915-99	DECAL, right (burgundy/medium silver/red)	FXSTC, FXSTS
	13916-99	DECAL, left (burgundy/bright gold/red)	FXSTC, FXSTS
	13917-99	DECAL, right (burgundy/bright gold/red)	FXSTC, FXSTS
	13918-99	DECAL, left (dark blue/medium silver/blue)	FXSTC, FXSTS

NOTE: Index number 7 fuel tank decal is a silkscreen for the FXST which is only sold as a part of the painted fuel tank assembly.

INDEX NO.	PART NO.	DESCRIPTION	MODEL(S)
	13919-99	DECAL, right (dark blue/medium silver/blue)	FXSTC, FXSTS
2	13920-99	DECAL, left (medium silver/red/burgundy)	FLSTC
	13921-99	DECAL, right (medium silver/red/burgundy)	FLSTC
	13922-99	DECAL, left (bright gold/red/burgundy)	FLSTC
	13923-99	DECAL, right (bright gold/red/burgundy)	FLSTC
	13924-99	DECAL, left (medium silver/blue/dark blue)	FLSTC
	13925-99	DECAL, right (medium silver/blue/dark blue)	FLSTC
3	13926-99	DECAL (medium silver/red/burgundy) (2)	FLSTF
	13927-99	DECAL (bright gold/red/burgundy) (2)	FLSTF
	13928-99	DECAL (medium silver/blue/dark blue) (2)	FLSTF
4	13932-99	DECAL, left (silver)	FLSTS
	13933-99	DECAL, right (silver)	FLSTS
	13938-99	DECAL, left (black)	FLSTS
	13939-99	DECAL, right (black)	FLSTS
	13944-99	DECAL, left (gray)	FLSTS
	13945-99	DECAL, right (gray)	FLSTS
5	15363-98	DECAL (2)	FXSTB
6	61814-99	EMBLEM, left (burgundy)	FLSTS
	61815-99	EMBLEM, right (burgundy)	FLSTS
	61816-99	EMBLEM, left (dark blue)	FLSTS
	61817-99	EMBLEM, right (dark blue)	FLSTS
	62793-97	EMBLEM, left (red)	FLSTS

NOTE: Index number 7 fuel tank decal is a silkscreen for the FXST which is only sold as a part of the painted fuel tank assembly.

## OIL TANK



[View interactive image](#)

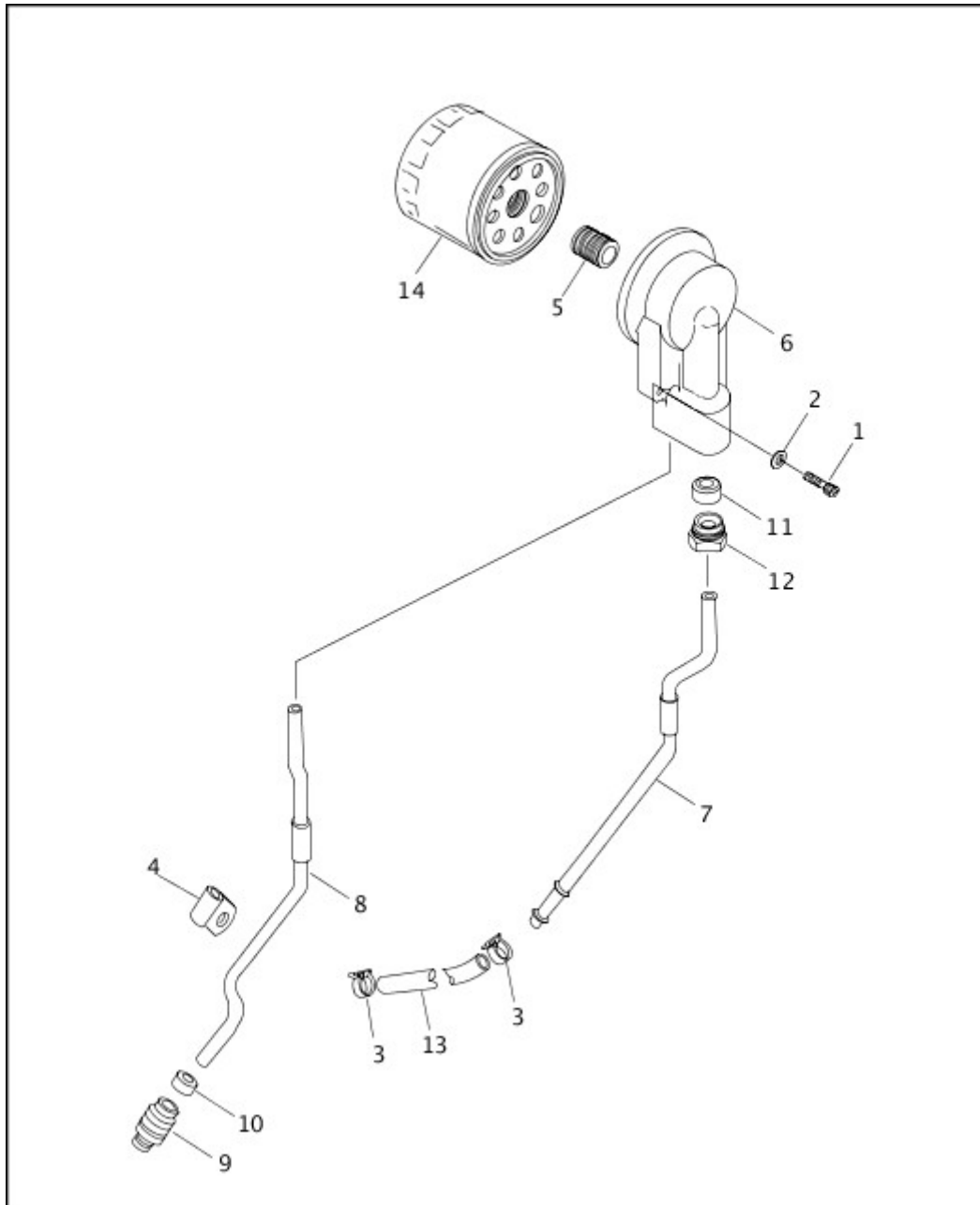
[View interactive table](#)

INDEX NO.	PART NO.	DESCRIPTION	MODEL(S)
1	3546	BOLT (2)	ALL
2	3987	BOLT	ALL
3	6703	WASHER (4)	FXST, FXSTB
4	7686	LOCKNUT (5)	ALL
5	7531	LOCKNUT	ALL
6	9969	CLAMP, drain hose	ALL
7	10006	CABLE STRAP, oil hoses (as required)	ALL
8	10080	CLAMP (6)	ALL
9	10086	CLAMP, drain hose	ALL
10	62491-95	OIL TANK (gloss black)	FXST
	62498-91	OIL TANK (chrome)	FLSTC, FLSTF, FLSTS, FXSTC, FXSTS



INDEX NO.	PART NO.	DESCRIPTION	MODEL(S)
	62840-98	OIL TANK (black wrinkle)	FXSTB
11	62563-65	RUBBER MOUNT (4)	ALL
12	62634-84A	FILLER CAP, w/ dipstick	ALL
13	62704-84A	BRACKET, rear	ALL
14	62707-84	BRACKET, front, tank to frame	ALL
15	62725-90	PLUG, oil drain	ALL
16	63515-92	HOSE, tank to pump	ALL
17	63553-91	HOSE, tank drain	ALL
18	63556-87	HOSE, filter to tank	ALL
19	63572-86	HOSE, tank vent	ALL
20	15368-01A	WARNING LABEL	ALL

## OIL FILTER & MOUNT



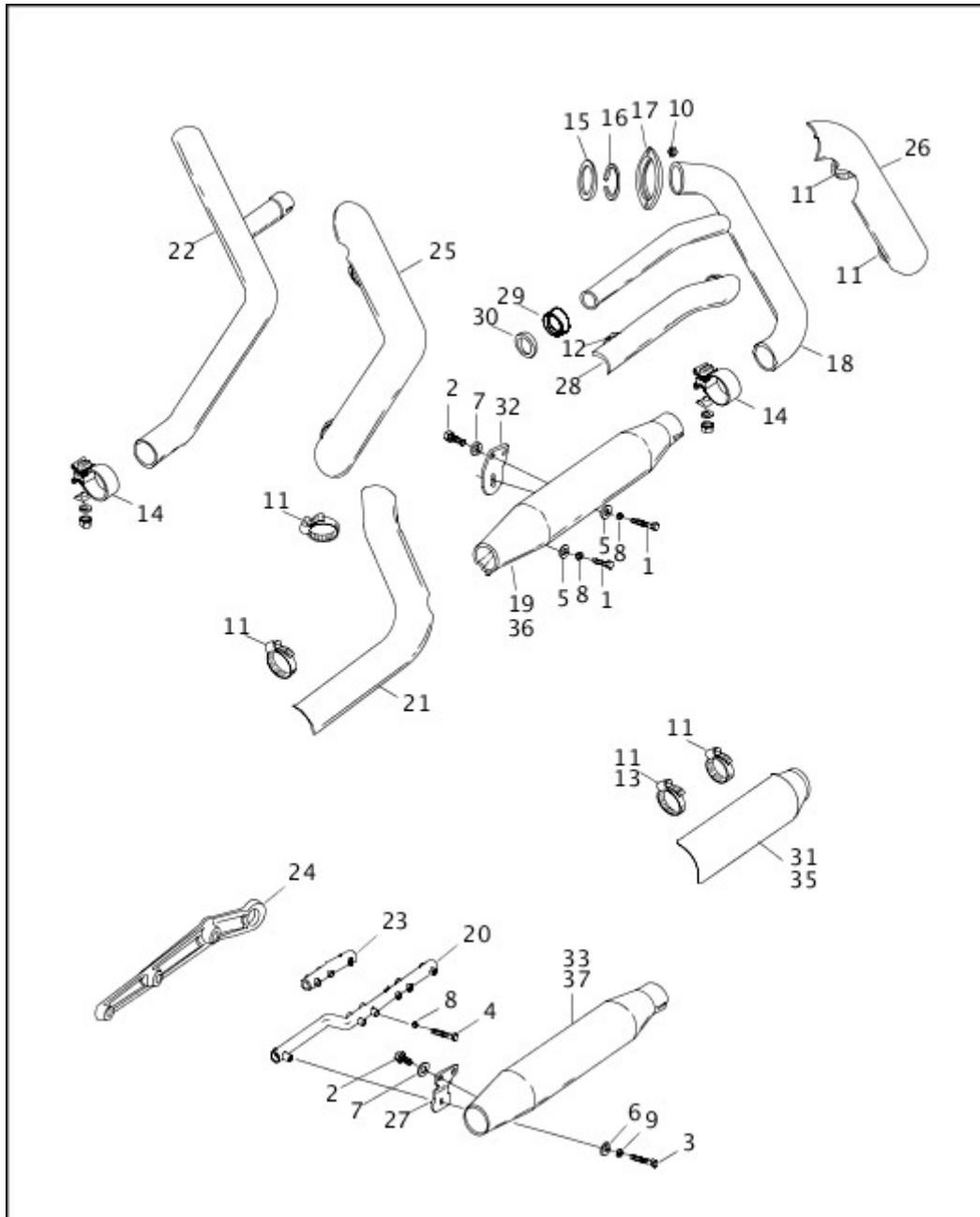
[View interactive image](#)

[View interactive table](#)

INDEX NO.	PART NO.	DESCRIPTION	MODEL(S)
1	3210A	SCREW, socket head (2)	ALL
2	6771A	WASHER (2)	ALL
3	10080	CLAMP (4)	ALL
4	10112	CLAMP	ALL
5	26352-95A	ADAPTOR, oil filter	ALL
6	26378-92A	OIL FILTER MOUNT (black texture)	FLSTC, FLSTF, FLSTS, FXSTB, FXSTC, FXSTS
	26381-92B	OIL FILTER MOUNT (silver painted)	FXST

INDEX NO.	PART NO.	DESCRIPTION	MODEL(S)
7	33519-92A	TUBE, return	ALL
8	33520-92	TUBE, feed	ALL
9	63523-92A	FITTING, straight, w/ 63525-92	ALL
10	63525-92	SEAL	ALL
11	63528-92	SEAL & FERRULE (2)	ALL
12	63530-92	FITTING, male nut (2)	ALL
13	63556-92	HOSE, filter line to tank	ALL
14	63798-99A	OIL FILTER (chrome)	FLSTC, FLSTF, FLSTS, FXST, FXSTC, FXSTS
	63731-99A	OIL FILTER (black)	FXSTB

**EXHAUST SYSTEM (1 OF 2)**



[View interactive image](#)

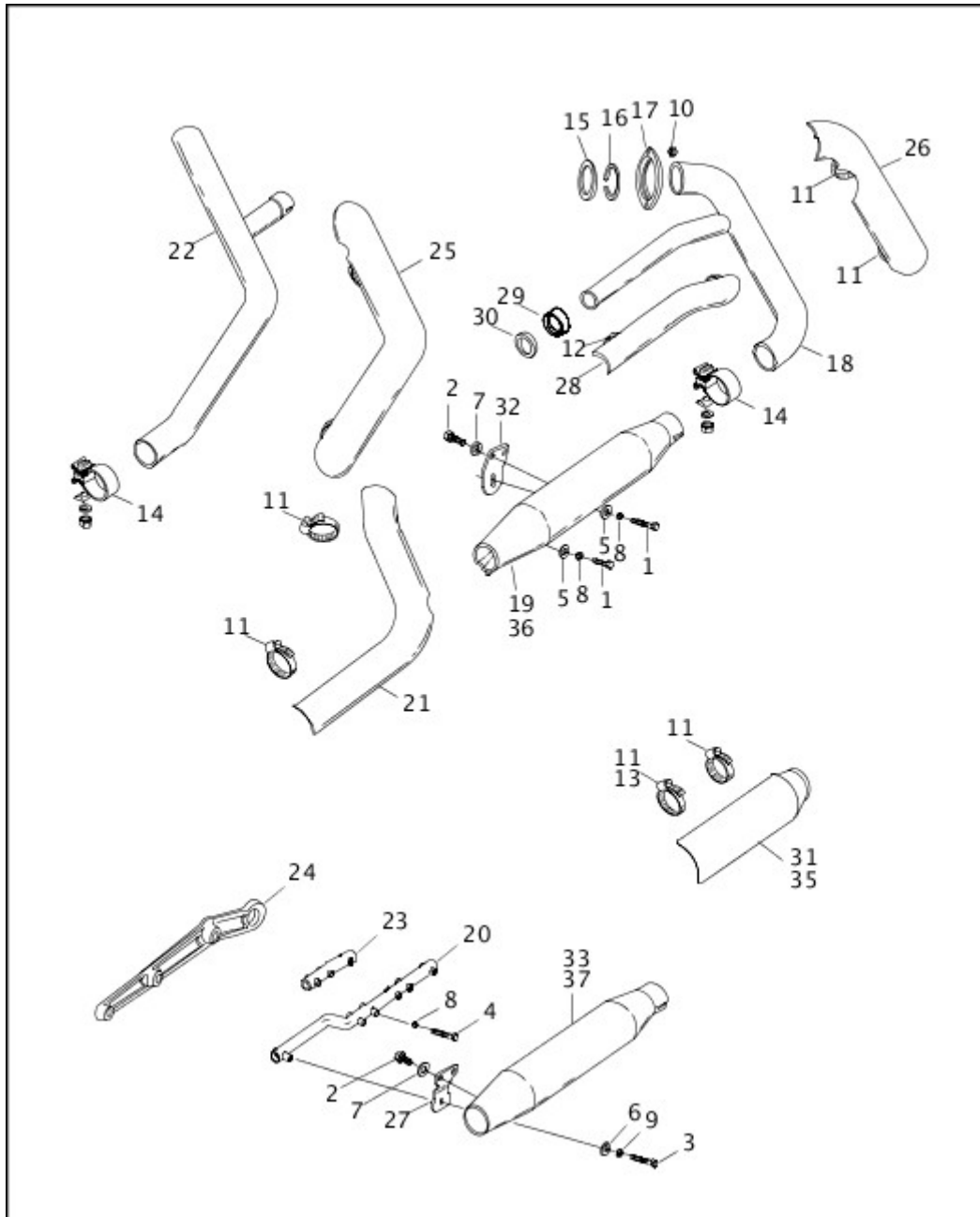
[View interactive table](#)

INDEX NO.	PART NO.	DESCRIPTION	MODEL(S)
1	2879W	BOLT	FLSTF
1	2879W	BOLT (2)	FLSTC, FXST, FXSTB, FXSTC, FXSTS
2	3728	SCREW (4)	FLSTF
2	3728	SCREW (6)	FLSTC, FXST, FXSTB, FXSTC, FXSTS
3	4017	BOLT	FLSTC, FLSTF, FXST, FXSTB, FXSTC, FXSTS
4	4722	BOLT (2)	FLSTC, FLSTF, FXST, FXSTB, FXSTC, FXSTS

INDEX NO.	PART NO.	DESCRIPTION	MODEL(S)
5	6701	WASHER	FLSTF
5	6701	WASHER (2)	FLSTC, FXST, FXSTB, FXSTC, FXSTS
6	6702	WASHER (2)	FLSTC, FLSTF, FXST, FXSTB, FXSTC, FXSTS
7	6703	WASHER (2)	FLSTF
7	6703	WASHER (6)	FLSTC, FXST, FXSTB, FXSTC, FXSTS
8	7038	LOCKWASHER (3)	FLSTF
8	7038	LOCKWASHER (4)	FLSTC, FXST, FXSTB, FXSTC, FXSTS
9	7041	LOCKWASHER	FLSTC, FLSTF, FXST, FXSTB, FXSTC, FXSTS
10	7593	NUT (4)	FLSTC, FLSTF, FXST, FXSTB, FXSTC, FXSTS
11	9955	CLAMP (4)	FXST, FXSTB, FXSTC, FXSTS
11	9955	CLAMP (5)	FLSTC, FLSTF
12	9955	CLAMP (2)	FXSTC, FXSTS
13	10074	CLAMP, shield (front)	FLSTC
13	10074	CLAMP, shield (front & rear) (2)	FLSTF
14	65296-95A	CLAMP, muffler (2)	FLSTC, FLSTF, FXST, FXSTB, FXSTC, FXSTS
15	65324-83B	GASKET, exhaust port	FLSTC, FLSTF, FXST, FXSTB, FXSTC, FXSTS
16	65325-83A	RETAINING RING, exhaust gasket (2)	FLSTC, FLSTF, FXST, FXSTB, FXSTC, FXSTS
17	65328-83A	CLAMP, exhaust manifold (2)	FLSTC, FLSTF, FXST, FXSTB, FXSTC, FXSTS
18	65401-95	EXHAUST PIPE, front	FLSTC, FXST, FXSTB, FXSTC, FXSTS
	65499-95	EXHAUST PIPE, front	FLSTF
19	65822-95	MUFFLER, front, catalytic (California)	FXST, FXSTB, FXSTC, FXSTS
	65840-95	MUFFLER, front, catalytic, fishtail (California)	FLSTC
	65853-95	MUFFLER, front (replaces 65855-95)	FLSTC, FXST, FXSTB, FXSTC, FXSTS
	65855-95	MUFFLER, front, fishtail (use 65853-95)	FLSTC
20	65459-95	SUPPORT TUBE	FLSTC, FXST, FXSTB, FXSTC, FXSTS
21	65464-95	SHIELD, rear exhaust & muffler	FLSTF
22	65603-95	EXHAUST PIPE, rear	FLSTC, FXST, FXSTB, FXSTC, FXSTS
	65503-95	EXHAUST PIPE, rear	FLSTF
23	65515-95	SUPPORT TUBE, front	FLSTF

INDEX NO.	PART NO.	DESCRIPTION	MODEL(S)
24	65522-91	MUFFLER SUPPORT, rear	FLSTF
25	65702-95	SHIELD, rear exhaust	FLSTC, FXST, FXSTB, FXSTC, FXSTS
26	65750-95	SHIELD, front exhaust	FLSTC
	65732-95	SHIELD, front exhaust	FXST, FXSTB, FXSTC, FXSTS
	65761-95	SHIELD, front exhaust	FLSTF
27	65734-95	BRACKET, rear muffler	FLSTC, FXST, FXSTB, FXSTC, FXSTS
	65869-97	BRACKET, rear muffler	FLSTF

## EXHAUST SYSTEM (2 OF 2)



[View interactive image](#)

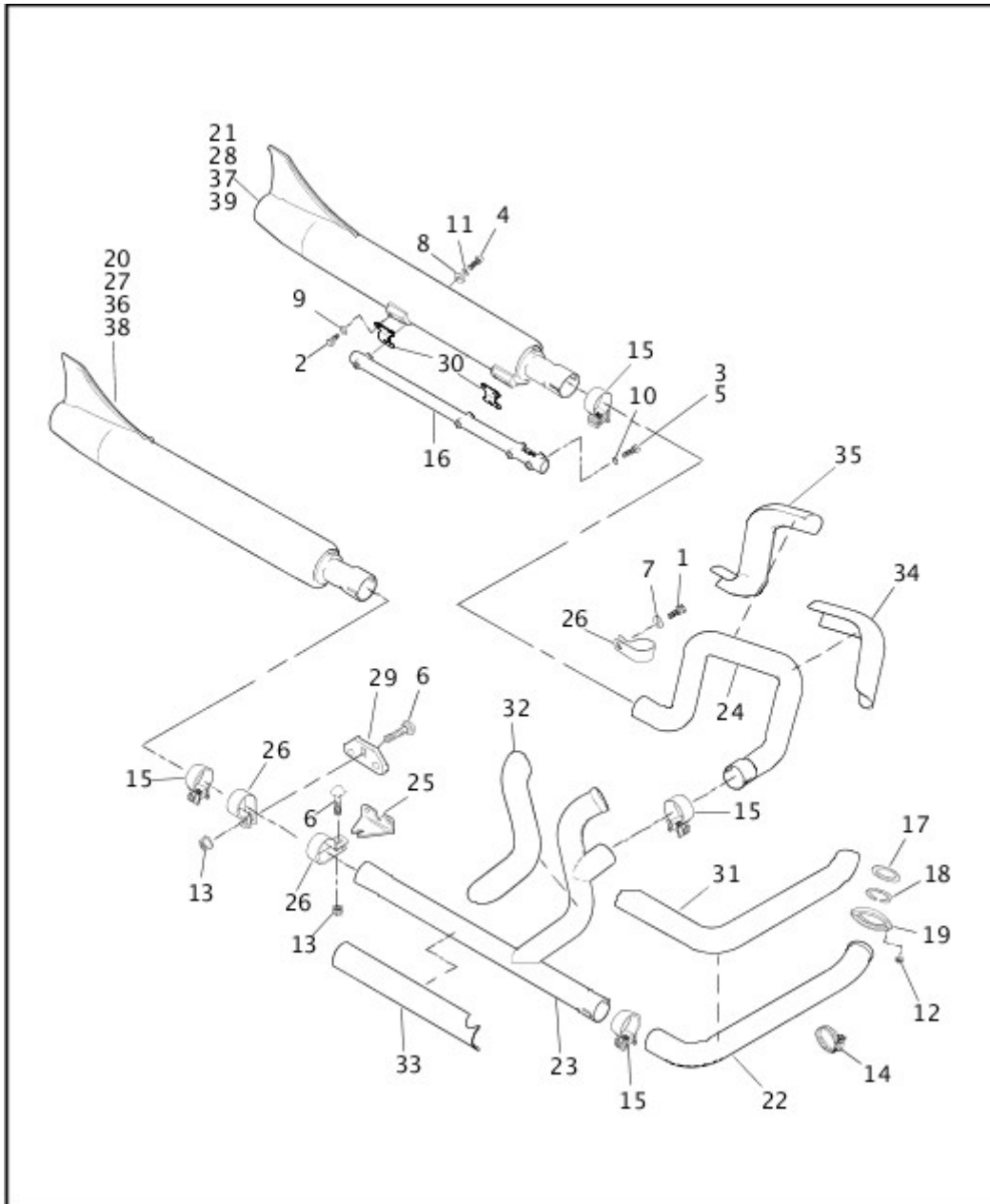
[View interactive table](#)

INDEX NO.	PART NO.	DESCRIPTION	MODEL(S)
28	65777-95	SHIELD, interconnect	FLSTC, FLSTF, FXST, FXSTB, FXSTC, FXSTS
29	65781-82	GASKET, interconnect	FLSTC, FLSTF, FXST, FXSTB, FXSTC, FXSTS
30	65782-82	WASHER, interconnect	FLSTC, FLSTF, FXST, FXSTB, FXSTC, FXSTS
31	65813-95	HEAT SHIELD, muffler	FLSTC

INDEX NO.	PART NO.	DESCRIPTION	MODEL(S)
31	65813-95	HEAT SHIELD, muffler (2)	FLSTF
31	65813-95	HEAT SHIELD, muffler (California catalytic muffler-equipped models) (2)	FLSTC, FLSTF, FXST, FXSTB, FXSTC, FXSTS
32	65887-95	BRACKET, front muffler	FLSTF
32	65887-95	BRACKET, front muffler (2)	FLSTC, FXST, FXSTB, FXSTC, FXSTS
33	65896-95	MUFFLER, rear	FLSTC, FXST, FXSTB, FXSTC, FXSTS
33	65896-95	MUFFLER, rear (front & rear) (replaces 65898-95) (2)	FLSTF
33	65898-95	MUFFLER, rear, fishtail (use 65896-95)	FLSTC
33	65900-95	MUFFLER, rear, catalytic (California)	FXST, FXSTB, FXSTC, FXSTS
33	65900-95	MUFFLER, rear, catalytic (California) (front & rear) (2)	FLSTF
33	65902-95	MUFFLER, rear, catalytic, fishtail (California)	FLSTC
34	59154-97	LOCK PLATE, rear muffler mount (not illustrated)	FLSTF
<b>INTERNATIONAL MODELS ONLY</b>			
35	65864-95	HEAT SHIELD, muffler (HDI) (front)	FLSTC
35	65864-95	HEAT SHIELD, muffler (HDI) (front & rear) (2)	FLSTF
36	65071-98	MUFFLER, front (HDI)	FLSTC, FXST, FXSTB, FXSTC, FXSTS
	65075-98	MUFFLER, front, catalytic (Switzerland, early model year)	FLSTC, FXST, FXSTB, FXSTC, FXSTS
37	65073-98	MUFFLER, rear (HDI)	FLSTC, FXST, FXSTB, FXSTC, FXSTS
37	65073-98	MUFFLER, rear (HDI) (front & rear) (2)	FLSTF
37	65077-98	MUFFLER, rear, catalytic (Switzerland, early model year)	FLSTC, FXST, FXSTB, FXSTC, FXSTS
37	65077-98	MUFFLER, rear, catalytic (Switzerland, early model year) (front & rear) (2)	FLSTF

## EXHAUST SYSTEM - FLSTS





[View interactive image](#)

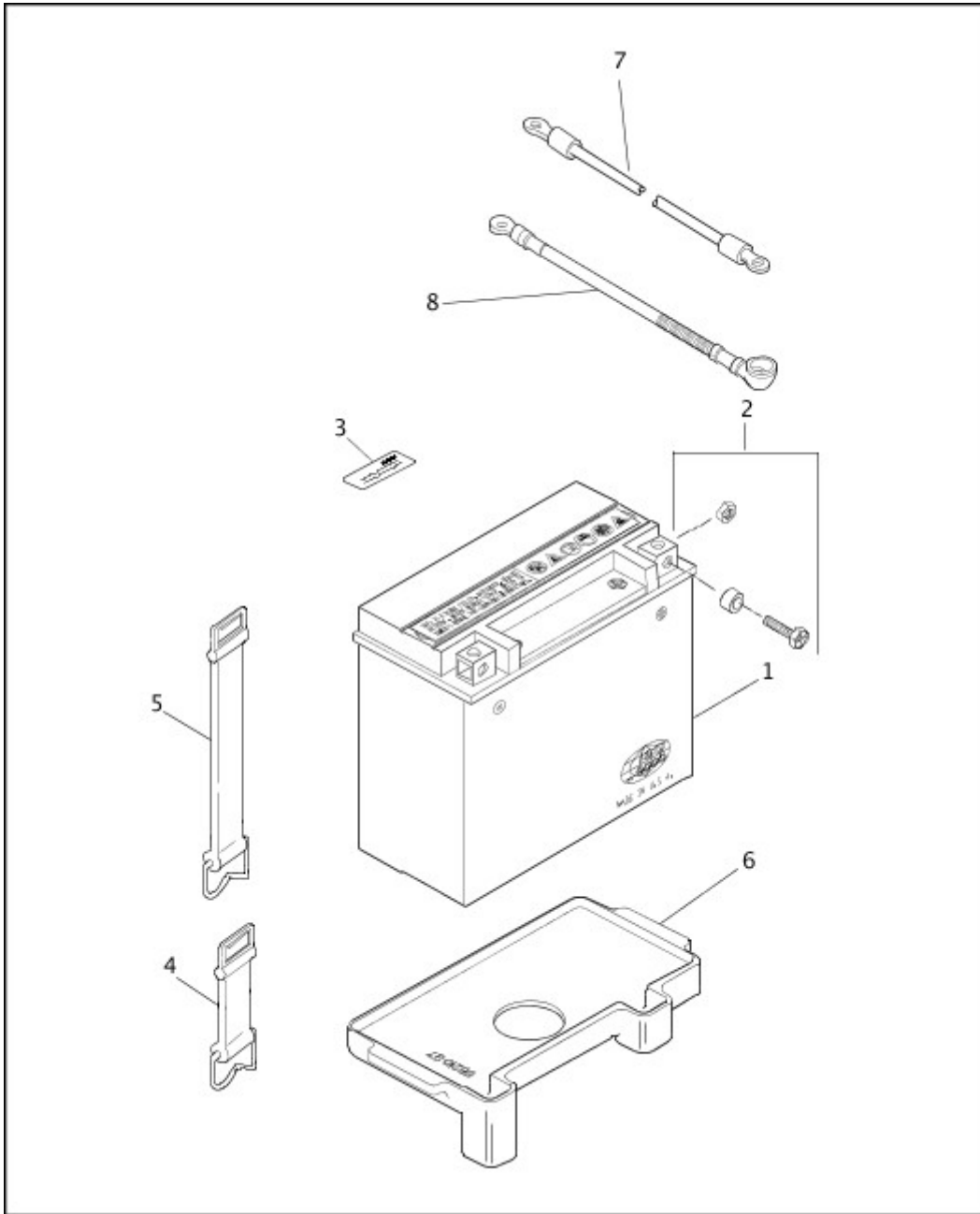
[View interactive table](#)

INDEX NO.	PART NO.	DESCRIPTION	MODEL(S)
1	861A	SCREW	FLSTS
2	3728	SCREW (8)	FLSTS
3	3775	SCREW (2)	FLSTS
4	4017	BOLT (4)	FLSTS
5	4719W	BOLT (2)	FLSTS
6	5416	BOLT (2)	FLSTS
7	6701	WASHER	FLSTS

INDEX NO.	PART NO.	DESCRIPTION	MODEL(S)
8	6702	WASHER (4)	FLSTS
9	6703	WASHER (8)	FLSTS
10	7038	LOCKWASHER (4)	FLSTS
11	7041	LOCKWASHER (4)	FLSTS
12	7593	NUT (4)	FLSTS
13	7601	LOCKNUT (2)	FLSTS
14	9955	CLAMP (11)	FLSTS
15	65296-95A	CLAMP, muffler (4)	FLSTS
16	65311-97	SUPPORT TUBE, muffler (2)	FLSTS
17	65324-83B	GASKET, exhaust port	FLSTS
18	65325-83A	RETAINING RING, exhaust gasket (2)	FLSTS
19	65328-83A	CLAMP, exhaust manifold (2)	FLSTS
20	65364-97	MUFFLER, right, catalytic (California)	FLSTS
21	65366-97	MUFFLER, left, catalytic (California)	FLSTS
22	65494-97	EXHAUST PIPE, front	FLSTS
23	65513-97	EXHAUST PIPE, right, rear	FLSTS
24	65650-97	EXHAUST PIPE, left	FLSTS
25	65652-97	BRACKET, exhaust	FLSTS
26	65654-97	CLAMP, exhaust pipe (3)	FLSTS
27	65655-97	MUFFLER, right	FLSTS
28	65679-97	MUFFLER, left	FLSTS
29	65708-97	BRACKET, exhaust	FLSTS
30	65734-95	BRACKET, muffler (4)	FLSTS
31	65907-97A	HEAT SHIELD, front	FLSTS
32	65908-97	HEAT SHIELD, rear	FLSTS
33	65909-97	HEAT SHIELD, right, lower, rear	FLSTS
34	65910-97	HEAT SHIELD, left, front	FLSTS
35	65911-97	HEAT SHIELD, left, rear	FLSTS
<b>INTERNATIONAL MODELS ONLY</b>			

INDEX NO.	PART NO.	DESCRIPTION	MODEL(S)
36	65785-97	MUFFLER, right (HDI, Australia, United Kingdom)	FLSTS
37	65793-97	MUFFLER, left (HDI, Australia, United Kingdom)	FLSTS
38	65806-97	MUFFLER, right, catalytic (Switzerland, early model year)	FLSTS
39	65833-97	MUFFLER, left, catalytic (Switzerland, early model year)	FLSTS

## BATTERY

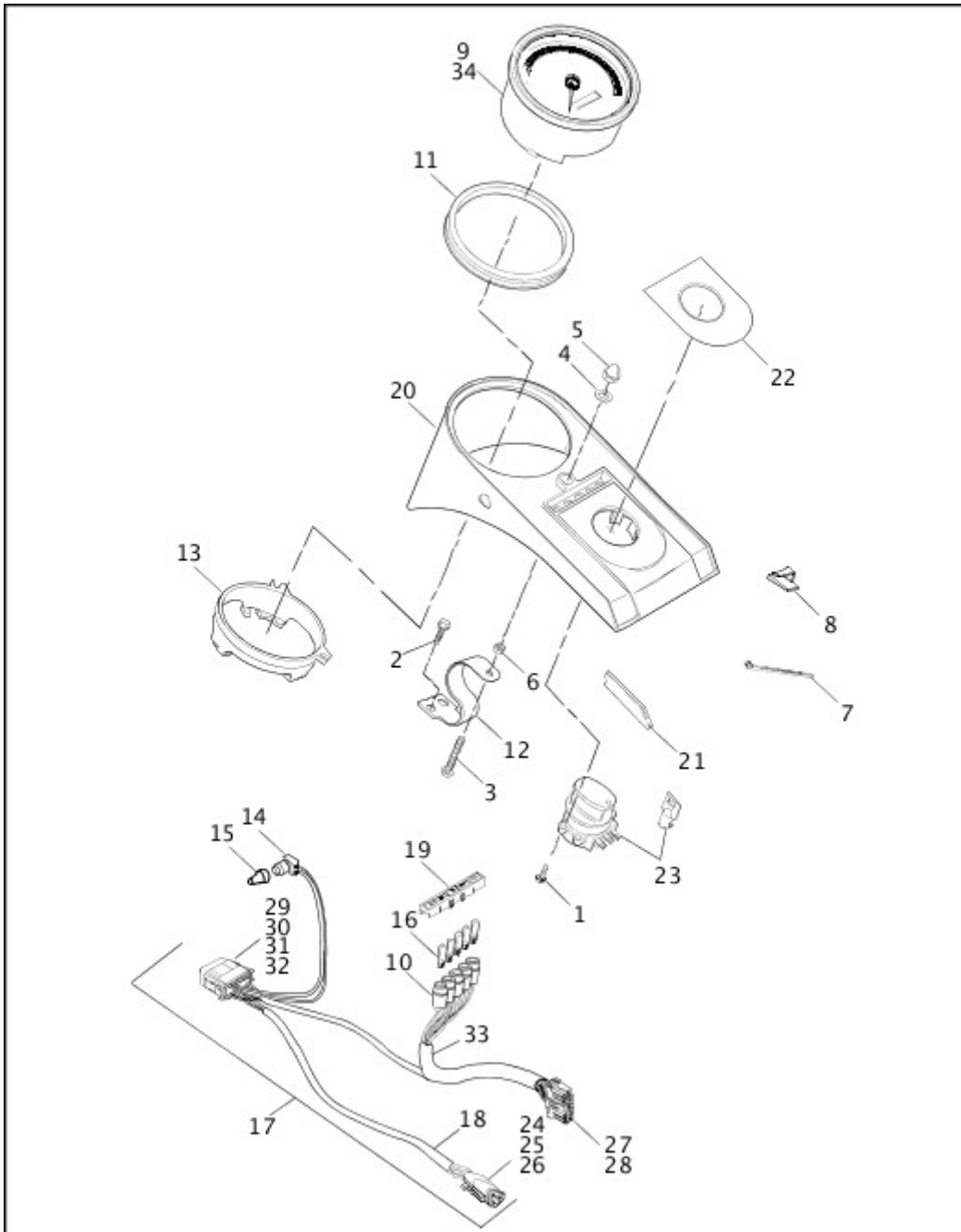


[View interactive image](#)

[View interactive table](#)

INDEX NO.	PART NO.	DESCRIPTION	MODEL(S)
1	65989-97C	BATTERY, w/ terminal kit	ALL
2	66020-97	BATTERY TERMINAL KIT	ALL
3	15368-01A	WARNING LABEL	ALL
4	66109-93	BATTERY STRAP, front	ALL
5	66111-93	BATTERY STRAP, rear	ALL
6	66210-97	CUSHION, rubber	ALL
7	70060-92B	CABLE ASSEMBLY, battery negative	ALL
8	70078-96	CABLE ASSEMBLY, battery positive	ALL

## INSTRUMENTS



[View interactive image](#)

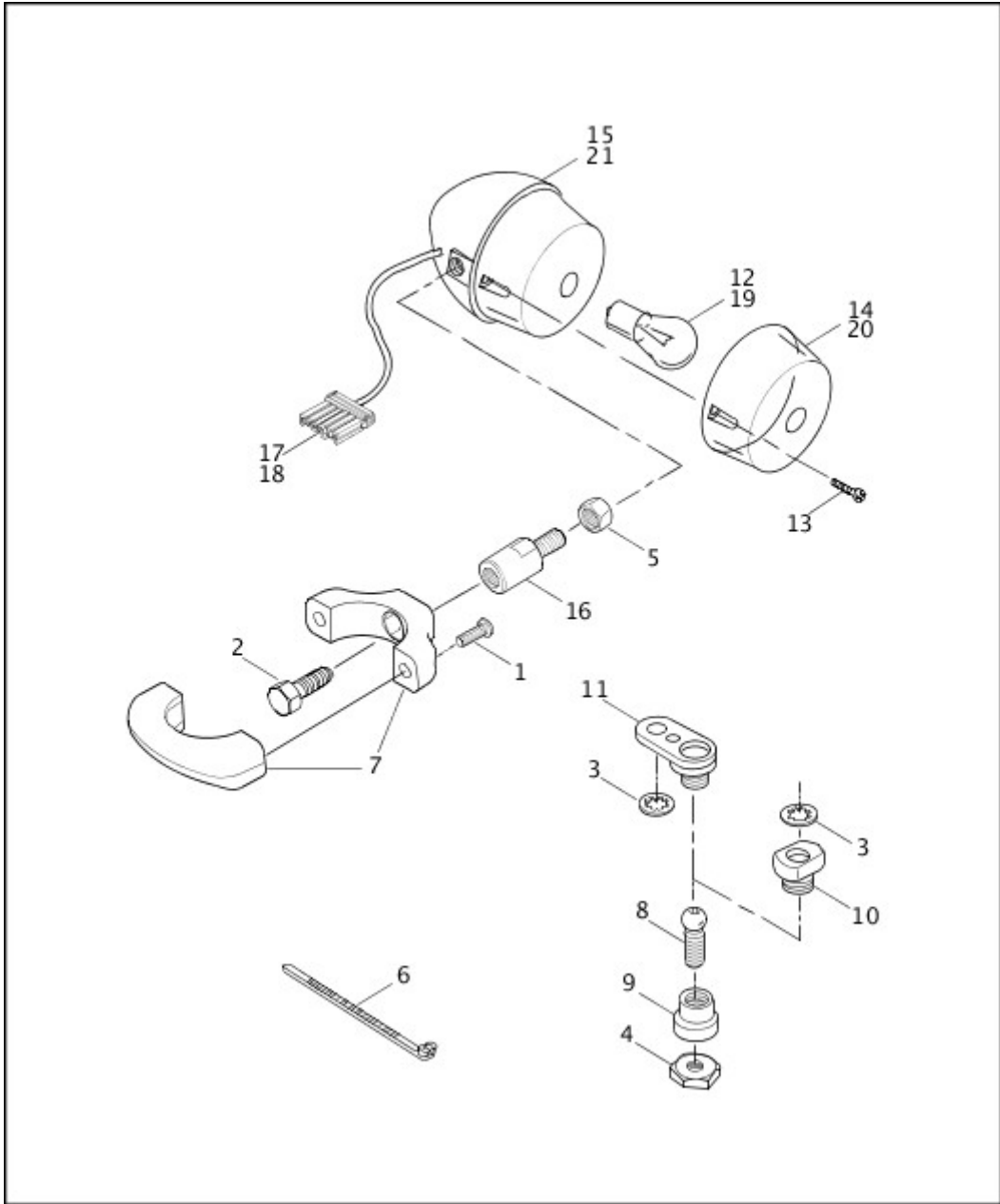
[View interactive table](#)

INDEX NO.	PART NO.	DESCRIPTION	MODEL(S)
1	2501A	SCREW (4)	ALL
2	3546	BOLT (2)	ALL
3	4761	SCREW	ALL
4	6121	WASHER	ALL
5	7497	LOCKNUT, acorn	ALL

INDEX NO.	PART NO.	DESCRIPTION	MODEL(S)
6	7688	NUT	ALL
7	10065	CABLE STRAP (2)	ALL
8	10102	CLIP, adhesive back	ALL
	10103	CLIP, adhesive back	ALL
9	67027-99A	SPEEDOMETER, mph	ALL
10	67184-94	SOCKET, indicator lamps (5)	ALL
11	67190-89	SEAL, speedometer	ALL
12	67260-96	BRACKET, instrument panel mounting	ALL
13	67271-99	BACK CLAMP	ALL
14	67854-98	SWITCH, odometer reset	ALL
15	67880-94	BOOT, reset switch	ALL
16	68024-94	BULB, indicator lamps (5)	ALL
17	68743-99	WIRING HARNESS, instruments	ALL
18	68820-98	WIRING HARNESS, speedometer	ALL
19	71146-94	LENS, indicator lamps	ALL
20	71255-96	INSTRUMENT PANEL, black	FXSTB
	71254-96	INSTRUMENT PANEL, w/ 10102 & 10103 (chrome)	FLSTC, FLSTF, FLSTS, FXST, FXSTC, FXSTS
21	71265-95	TRIM, instrument panel	ALL
22	71302-93A	NAMEPLATE, ignition switch	ALL
23	71313-96A	IGNITION SWITCH, w/ keys	ALL
	71452-91A	KEY (specify key code)	ALL
24	72113-94BK	PLUG, 3-way socket	ALL
25	72191-94	TERMINAL, socket (3)	ALL
26	72153-94	SOCKET LOCK, secondary, 3-way	ALL
27	73162-96BK	CONNECTOR, 12-place	ALL
28	73191-96	SOCKET CONTACT, 16-20 gauge (10)	ALL
29	74119-98BK	SOCKET HOUSING, 12-way (black)	ALL

INDEX NO.	PART NO.	DESCRIPTION	MODEL(S)
30	74159-98	SOCKET LOCK, 12-way housing	ALL
31	74191-98	SOCKET TERMINAL (10)	ALL
32	74195-98	SEAL PIN (4)	ALL
33	72266-94	HEAT SHRINK TUBE, dual wall, 0.3 x 2 inch (2)	ALL
<b>INTERNATIONAL MODELS ONLY</b>			
34	67030-99A	SPEEDOMETER, kph	ALL
	67282-99A	SPEEDOMETER, mph/kph	ALL

## FRONT TURN SIGNALS



View interactive image

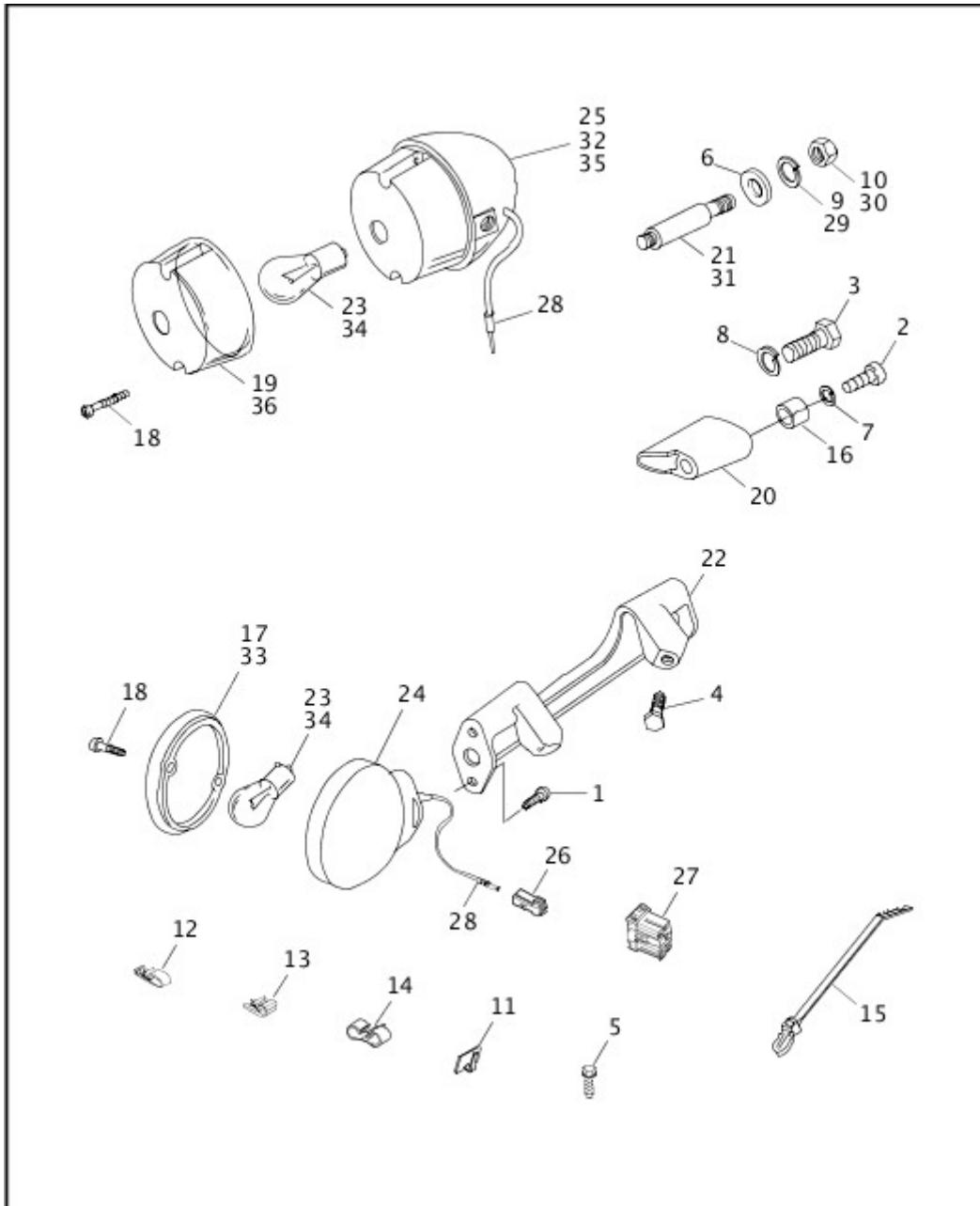
View interactive table

INDEX NO.	PART NO.	DESCRIPTION	MODEL(S)
1	927A	SCREW (4)	FXSTB
2	4391	BOLT (2)	FXSTB
3	7127	LOCKWASHER (3)	FLSTF, FLSTS, FXST, FXSTC, FXSTS
4	7744	JAMNUT (2)	FLSTF, FLSTS, FXST, FXSTC, FXSTS
5	7753	NUT (2)	FXSTB



INDEX NO.	PART NO.	DESCRIPTION	MODEL(S)
6	10006	CABLE STRAP (2)	FLSTF, FLSTS, FXST, FXSTC, FXSTS
	10065	CABLE STRAP	FLSTF, FLSTS, FXST, FXSTC, FXSTS
	10181	CABLE STRAP (2)	FXSTB
7	58060-93	MOUNTING CLAMP, front turn signal (2)	FXSTB
8	67822-88	BALL STUD (2)	FLSTF, FLSTS, FXST, FXSTC, FXSTS
9	67827-88A	CLAMP, ball stud (2)	FLSTF, FLSTS, FXST, FXSTC, FXSTS
10	67828-88A	RETAINER, right	FLSTF, FLSTS, FXST, FXSTC, FXSTS
11	67829-88	BALL RECEPTACLE, left	FLSTF, FLSTS, FXST, FXSTC, FXSTS
12	68168-89A	BULB, front turn signals (2)	FLSTF, FLSTS, FXST, FXSTC, FXSTS
13	68452-86	SCREW, turn signal lens (4)	FLSTF, FLSTS, FXST, FXSTC, FXSTS
14	68457-86	LENS, front turn signal (amber) (2)	FLSTF, FLSTS, FXST, FXSTC, FXSTS
15	68709-94	TURN SIGNAL LAMP, w/ wire, front (does not include electrical connector) (2)	FLSTF, FLSTS, FXST, FXSTC, FXSTS
16	68989-98	STANDOFF, front turn signal (2)	FXSTB
17	73191-96	SOCKET CONTACT, 16-20 gauge (2)	FLSTF, FLSTS, FXST, FXSTC, FXSTS
18	73156-96BK	SOCKET HOUSING, 6-place	FLSTF, FLSTS, FXST, FXSTC, FXSTS
<b>INTERNATIONAL MODELS ONLY</b>			
19	68163-84	BULB (HDI) (2)	FLSTF, FLSTS, FXST, FXSTC, FXSTS
20	68566-90	LENS, turn signal (amber) (HDI) (2)	FLSTF, FLSTS, FXST, FXSTC, FXSTS
21	68710-94	TURN SIGNAL LAMP, w/ wire, front (does not include electrical connector) (HDI) (2)	FLSTF, FLSTS, FXST, FXSTC, FXSTS

## REAR TURN SIGNALS



View interactive image

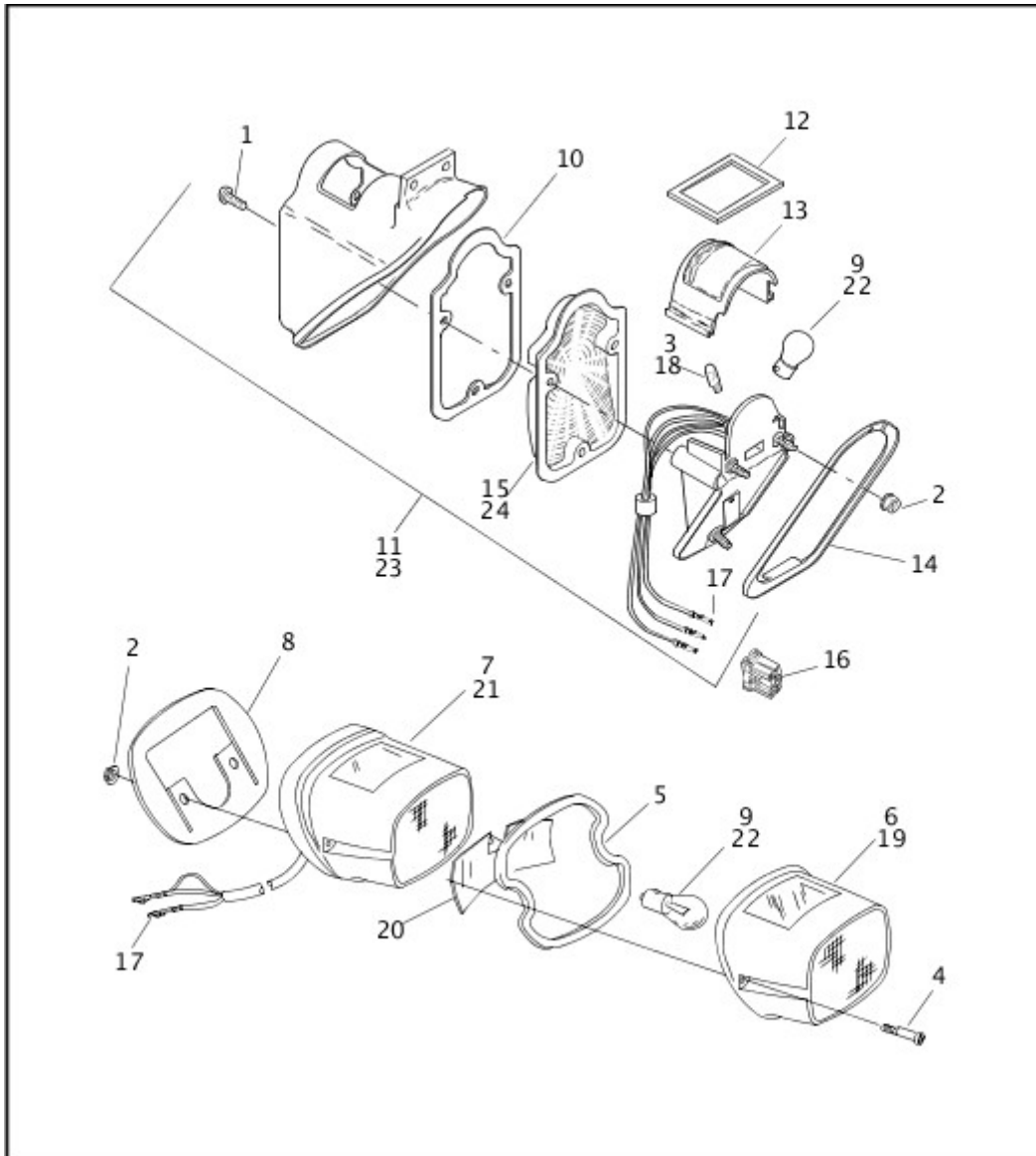
View interactive table

INDEX NO.	PART NO.	DESCRIPTION	MODEL(S)
1	2692WB	SCREW (4)	FLSTC
2	2696	SCREW (2)	FXST, FXSTB, FXSTC, FXSTS
3	2904A	SCREW (2)	FXST, FXSTB, FXSTC, FXSTS
4	3576	SCREW (2)	FLSTC
5	3893	SCREW, turn signal ground	ALL
6	6127	WASHER (2)	FLSTS

INDEX NO.	PART NO.	DESCRIPTION	MODEL(S)
7	7042	LOCKWASHER (2)	FXST, FXSTB, FXSTC, FXSTS
8	7045	LOCKWASHER (2)	ALL
9	7101	LOCKWASHER (2)	FLSTF
10	7800W	NUT (2)	FLSTF, FLSTS
11	10120	CLIP (2)	FLSTC
12	10183	CLIP, t-stud (6)	ALL
13	10184	CLIP, t-stud (2)	ALL
14	10113	CLIP, double	ALL
15	10177	CABLE STRAP, w/ plug-in retainer	ALL
16	59959-86	SPACER	FXST, FXSTB, FXSTC, FXSTS
17	68440-86	LENS, rear turn signal (2)	FLSTC
18	68452-86	SCREW (4)	ALL
19	68457-86	LENS, rear turn signal (2)	FLSTF, FLSTS, FXST, FXSTB, FXSTC, FXSTS
20	68480-73	SUPPORT, rear lamp mounting (2)	FXST, FXSTB, FXSTC, FXSTS
21	68493-90	SUPPORT, rear lamp mounting (2)	FLSTF, FLSTS
22	68510-74C	BRACKET, rear turn signal	FLSTC
23	68572-64B	BULB, rear turn signal (2)	ALL
24	68713-94A	LAMP, w/ wire, rear (amber) (2)	FLSTC
25	68760-94	LAMP, w/ wire, rear (amber) (2)	FXST, FXSTB, FXSTC, FXSTS
	68802-95	LAMP, w/ 68452-86, 68457-86, 68572-64B & wire, rear (amber) (2)	FLSTF, FLSTS
26	73152-96BK	SOCKET HOUSING, 2-place (2)	FLSTC
27	73158-96BK	SOCKET HOUSING, 8-place	ALL
28	73191-96	CONTACT SOCKET, 16-20 gauge (4)	ALL
<b>INTERNATIONAL MODELS ONLY</b>			
29	7152	LOCKWASHER (HDI) (2)	FLSTF, FLSTS, FXST, FXSTB, FXSTC, FXSTS

INDEX NO.	PART NO.	DESCRIPTION	MODEL(S)
30	7800W	NUT (HDI) (2)	FLSTF, FXST, FXSTB, FXSTC, FXSTS
31	68493-90	SUPPORT, turn signal (HDI) (2)	FLSTF, FLSTS, FXST, FXSTB, FXSTC, FXSTS
32	68803-95	LAMP, w/ wire, rear (amber) (HDI) (use 68802-95) (2)	FLSTF, FLSTS, FXST, FXSTB, FXSTC, FXSTS
33	68506-92	LENS, turn signal (amber) (HDI) (2)	FLSTC
34	68163-84	BULB, rear turn signal (HDI only)	ALL
35	68765-94A	LAMP, w/ wire, rear (amber) (HDI) (2)	FLSTC
36	68507-90	LENS, rear turn signal (HDI) (2)	FLSTF, FLSTS, FXST, FXSTB, FXSTC, FXSTS

## TAIL LAMP



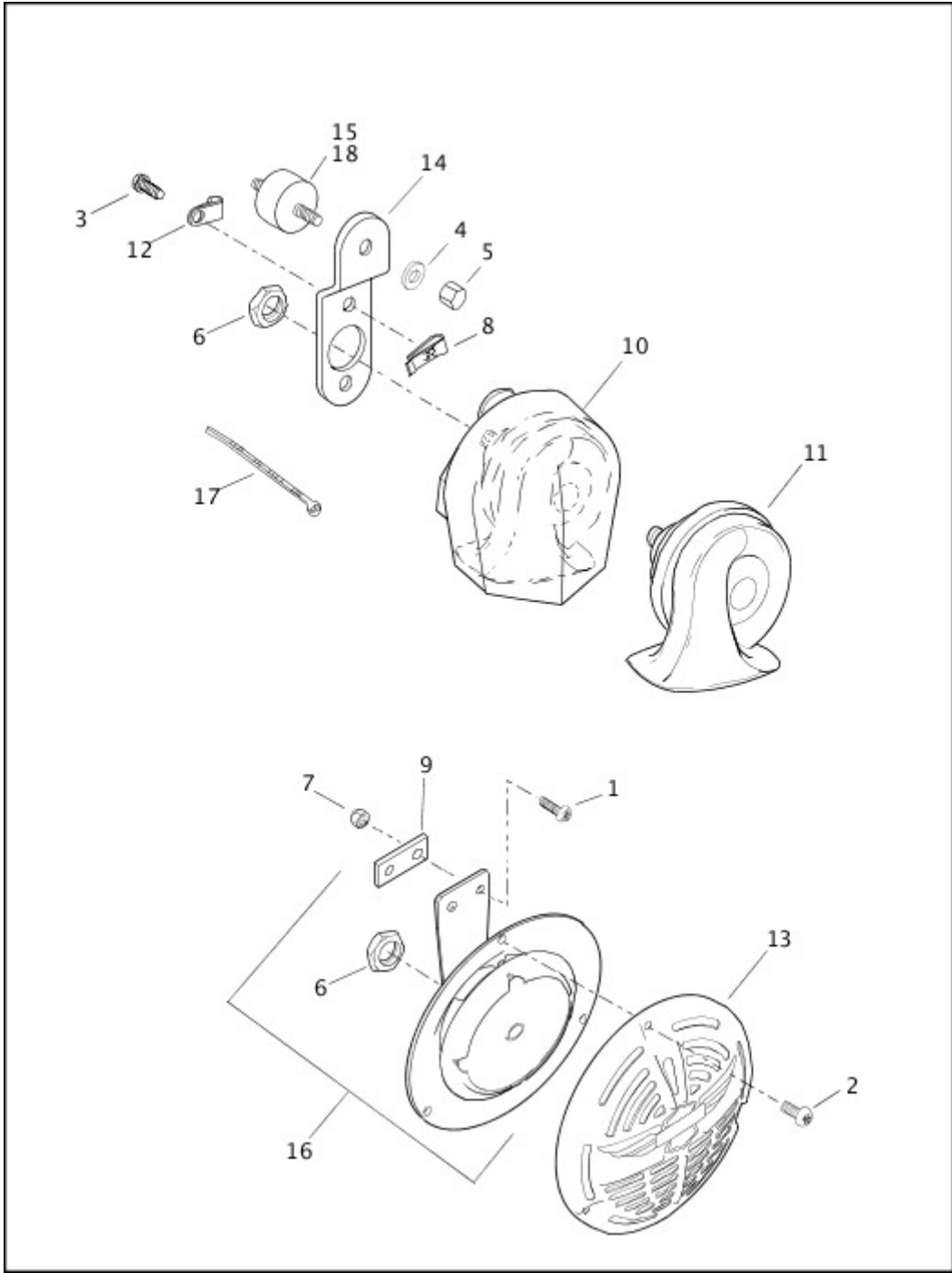
[View interactive image](#)

[View interactive table](#)

INDEX NO.	PART NO.	DESCRIPTION	MODEL(S)
1	4166	SCREW (3)	FLSTS
2	7501	SPEED NUT (2)	FLSTC, FLSTF, FXST, FXSTB, FXSTC, FXSTS
2	7501	SPEED NUT (3)	FLSTS
3	52441-95	BULB, license lamp	FLSTS
4	68026-73	SCREW, tail lamp (2)	FLSTC, FLSTF, FXST, FXSTB, FXSTC, FXSTS
5	68027-90	GASKET, tail lamp lens	FLSTC, FLSTF, FXST, FXSTB, FXSTC, FXSTS
6	68033-90	LENS, tail lamp (red)	FLSTC, FLSTF, FXST, FXSTB, FXSTC, FXSTS
7	68048-93B	TAIL LAMP ASSEMBLY	FLSTC, FLSTF, FXST, FXSTB, FXSTC, FXSTS

INDEX NO.	PART NO.	DESCRIPTION	MODEL(S)
8	68123-73	GASKET, tail lamp housing	FLSTC, FLSTF
9	68168-89A	BULB, tail lamp	ALL
10	68226-97	GASKET, lens	FLSTS
11	68233-97	TAIL LAMP ASSEMBLY	FLSTS
12	68235-97	GASKET, license plate lens	FLSTS
13	68236-97	LENS, license plate	FLSTS
14	68237-97	PAD, mounting	FLSTS
15	68238-97	LENS	FLSTS
16	73158-96BK	SOCKET HOUSING, 8-place	ALL
17	73191-96	CONTACT SOCKET, 16-20 gauge (3)	ALL
<b>INTERNATIONAL MODELS ONLY</b>			
18	53436-97	BULB, license lamp	FLSTS
19	68032-90	LENS, tail lamp (red) (HDI)	FLSTC, FLSTF, FXST, FXSTB, FXSTC, FXSTS
20	68036-91	REFLECTOR, tail lamp (HDI)	FLSTC, FLSTF, FXST, FXSTB, FXSTC, FXSTS
21	68049-93B	TAIL LAMP ASSEMBLY (HDI)	FLSTC, FLSTF, FXST, FXSTB, FXSTC, FXSTS
22	68169-90A	BULB, tail lamp (HDI)	ALL
23	68234-97	TAIL LAMP ASSEMBLY (HDI)	FLSTS
24	68239-97	LENS, tail lamp (red) (HDI)	FLSTS

## HORN



View interactive image

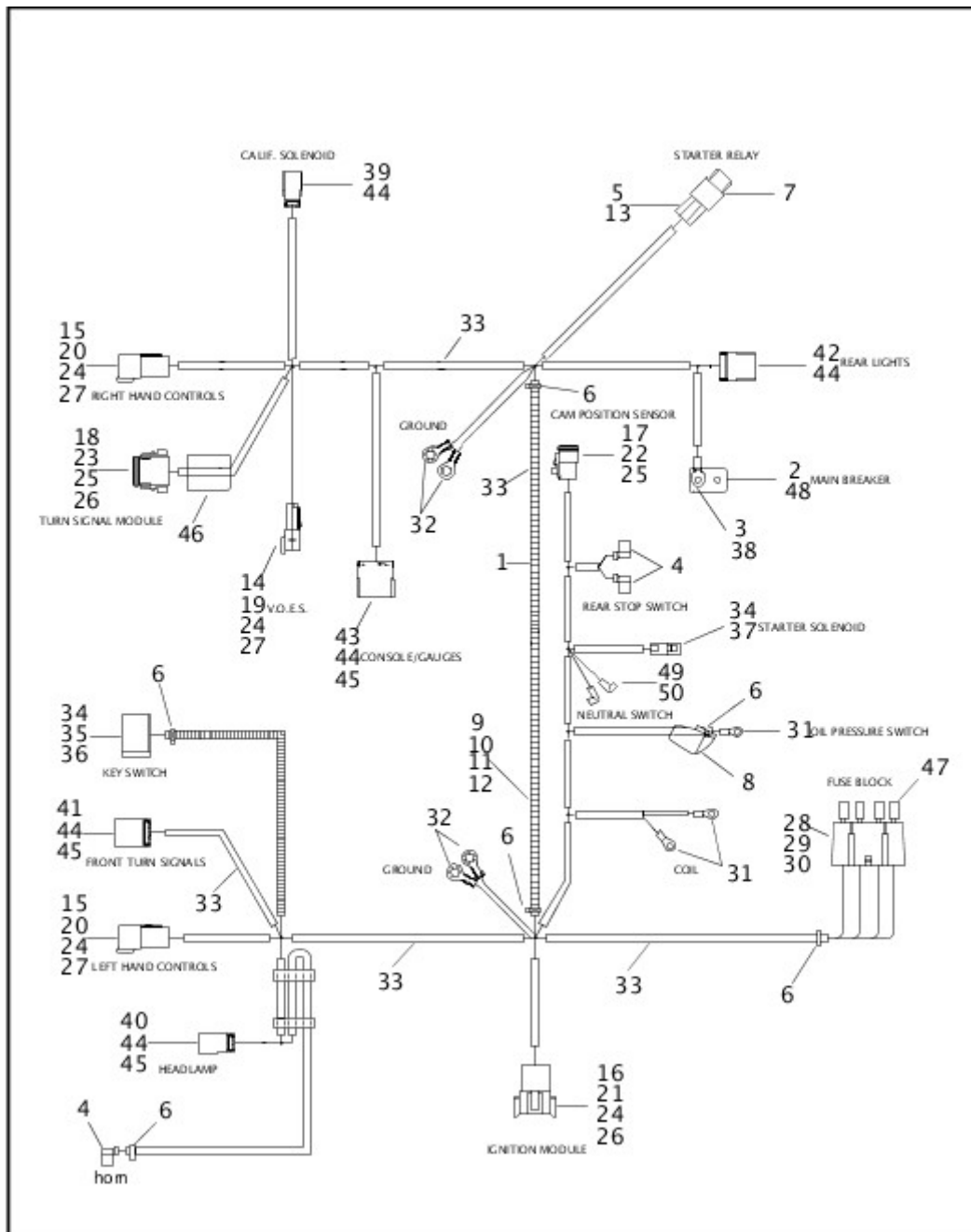
View interactive table

INDEX NO.	PART NO.	DESCRIPTION	MODEL(S)
1	2447	SCREW (2)	FLSTS
2	32617-00Y	SCREW (3)	FLSTS
3	3563	SCREW (2)	FLSTC, FLSTF, FXST, FXSTB, FXSTC, FXSTS

INDEX NO.	PART NO.	DESCRIPTION	MODEL(S)
4	6109	WASHER	FLSTC, FLSTF, FXST, FXSTB, FXSTC, FXSTS
5	7481	ACORN NUT	FLSTC, FLSTF, FXST, FXSTB, FXSTC, FXSTS
6	7495	NUT	ALL
7	7624	LOCKNUT (2)	FLSTS
8	8108	SPEEDNUT (2)	FLSTC, FLSTF, FXST, FXSTB, FXSTC, FXSTS
9	68385-97	PAD, horn mounting	FLSTS
10	69012-93A	COVER, horn (chrome)	FLSTC, FXST, FXSTB, FXSTC, FXSTS
	69039-09	COVER, horn (black wrinkle)	FXSTB
11	69060-90F	HORN ASSEMBLY, w/ 7495 (use 69060-90F)	FLSTC, FLSTF, FXST, FXSTB, FXSTC, FXSTS
	69060-90F	HORN ASSEMBLY, w/ 69152-01A (replaces 69060-90C)	FLSTC, FLSTF, FXST, FXSTB, FXSTC, FXSTS
12	69062-91A	CLAMP	FLSTC, FLSTF, FXST, FXSTB, FXSTC, FXSTS
13	69069-97	HORN COVER	FLSTS
14	69120-91	BRACKET, horn	FLSTC, FLSTF, FXST, FXSTB, FXSTC, FXSTS
	69152-01A	BRACKET, horn (used w/ 69060-90F)	FLSTC, FLSTF, FXST, FXSTB, FXSTC, FXSTS
15	69123-92A	MOUNT, horn (rubber)	FLSTC, FLSTF, FXST, FXSTB, FXSTC, FXSTS
16	69070-97B	HORN ASSEMBLY, w/ 7495 & 68385-97	FLSTS
17	10006	CABLE STRAP, w/ 7495 & 68385-97	FLSTC, FLSTF, FXST, FXSTB, FXSTC, FXSTS
<b>INTERNATIONAL MODELS ONLY</b>			
18	69122-95	MOUNT, horn (rubber) (HDI)	FLSTC, FLSTF, FXST, FXSTB, FXSTC, FXSTS

## WIRING HARNESS, MAIN





[View interactive image](#)

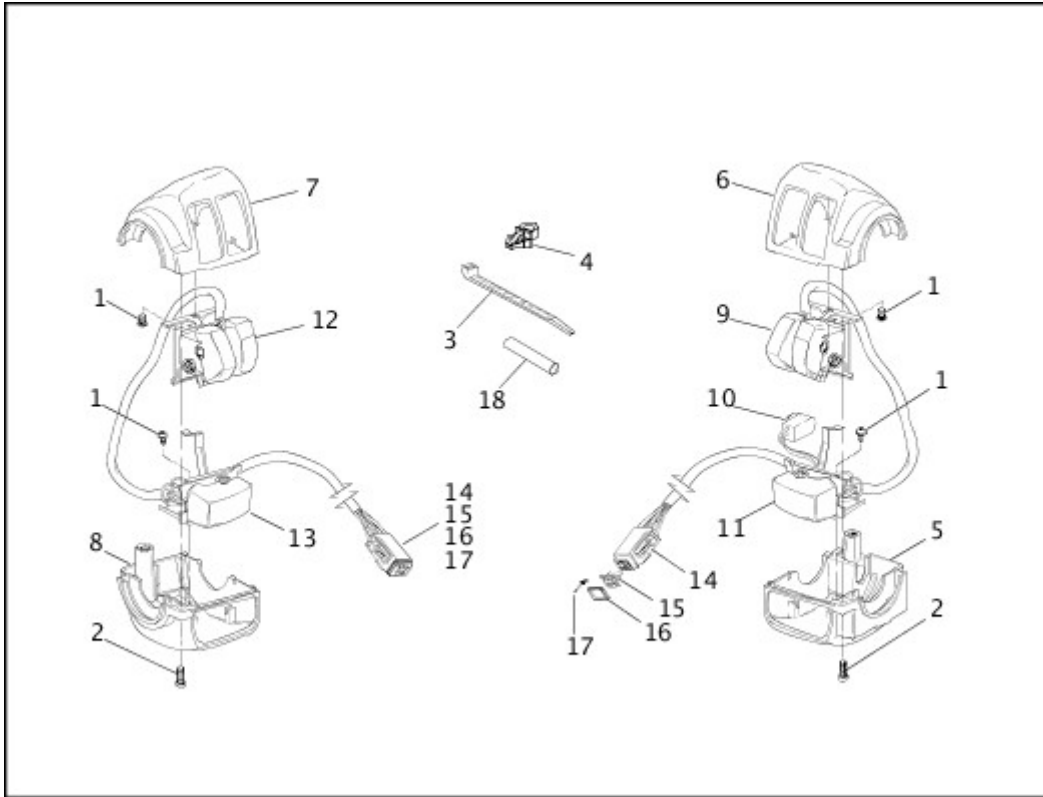
[View interactive table](#)

INDEX NO.	PART NO.	DESCRIPTION	MODEL(S)
1	70216-98	MAIN WIRING HARNESS	ALL
<b>NOTE: Includes the following parts.</b>			
2	7629	NUT, w/ washer (2)	ALL
3	9840	TERMINAL, ring type	ALL
4	9898	TERMINAL, female flag, #14-16 wire (3)	ALL
5	9937	TERMINAL, 1/4 inch female spade, 14-16 gauge (4)	ALL

INDEX NO.	PART NO.	DESCRIPTION	MODEL(S)
6	10065	CABLE STRAP (6)	ALL
7	31504-91B	RELAY, w/ diode (starter)	ALL
8	70579-65	BOOT, rubber	ALL
9	72038-71A	SOCKET, single pin	ALL
10	72039-71A	PIN, single socket	ALL
11	72043-71A	CONNECTOR, single pin	ALL
12	72044-71A	CONNECTOR, single socket	ALL
13	72046-79	SOCKET HOUSING	ALL
14	72102-94BK	RECEPTACLE, 2-way pin	ALL
15	72106-94BK	RECEPTACLE, 6-way pin (2)	ALL
16	72108-94BK	RECEPTACLE, 8-way pin	ALL
17	72113-94BK	PLUG, 3-way socket	ALL
18	72138-94GY	PLUG, 8-way socket	ALL
19	72142-94	PIN LOCK, secondary, 2-way	ALL
20	72146-94	PIN LOCK, secondary, 6-way (2)	ALL
21	72148-94	PIN LOCK, secondary, 8-way	ALL
22	72153-94	SOCKET LOCK, secondary, 3-way	ALL
23	72158-94	SOCKET LOCK, 8-way	ALL
24	72190-94	TERMINAL, pin (21)	ALL
25	72191-94	TERMINAL, socket (10)	ALL
26	72195-94	SEAL PIN (2)	ALL
27	72199-94	ATTACHMENT CLIP (3)	ALL
28	72216-94	FUSEBLOCK	ALL
29	72217-94	TERMINAL, auto fuse, 18-20 gauge (4)	ALL
30	72218-94	TERMINAL, auto fuse, 14-16 gauge (4)	ALL
31	72241-94A	TERMINAL, #10 ring 18-20 gauge (3)	ALL
32	72255-94	TERMINAL, ring 1/4 inch (4)	ALL
33	72266-94	HEAT SHRINK TUBE, dual wall, 0.3 x 2 inch (11)	ALL
34	72291-94	TERMINAL, female spade, 14-16 gauge (3)	ALL

INDEX NO.	PART NO.	DESCRIPTION	MODEL(S)
35	72292-94	TERMINAL, female, 12 gauge	ALL
36	72293-94	CONNECTOR, female, 3-place	ALL
37	72295-94	HOUSING, starter connection	ALL
38	72366-95	HEAT SHRINK TUBE (yellow)	ALL
39	73103-96BK	PIN HOUSING, 3-place	ALL
40	73104-96BK	PIN HOUSING, 4-place	ALL
41	73106-96BK	PIN HOUSING, 6-place	ALL
42	73108-96BK	PIN HOUSING, 8-place	ALL
43	73112-96BK	PIN HOUSING, 12-place	ALL
44	73190-96	TERMINAL, pin 20-16 gauge (31)	ALL
45	73199-96	ANCHOR, connector (3)	ALL
46	74412-91	BOOT, turn signal module harness	ALL
47	74587-94	CIRCUIT BREAKER, 15 amp (4)	ALL
48	74599-77B	CIRCUIT BREAKER, 30 amp	ALL
49	72405-98BK	WIRE ASSEMBLY, push-on right angle (black)	ALL
50	72405-98TN	WIRE ASSEMBLY, push-on right angle (tan)	ALL

## HANDLEBAR SWITCHES



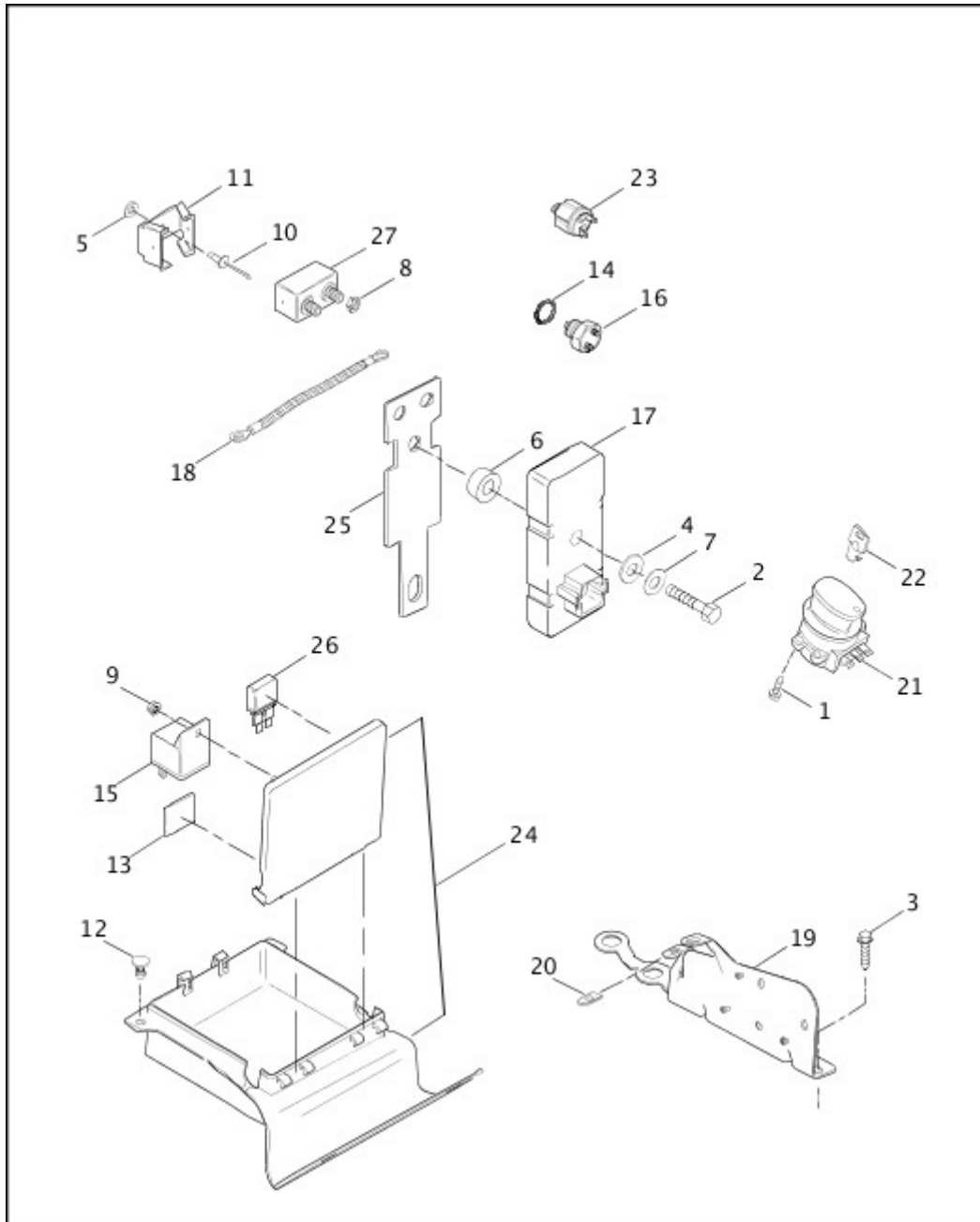
View interactive image

View interactive table

INDEX NO.	PART NO.	DESCRIPTION	MODEL(S)
1	2558	SCREW (4)	ALL
2	3658	SCREW (4)	ALL
3	10181	CABLE STRAP (as required)	ALL
4	56073-83	RETAINER, wiring (2)	FLSTC
	70345-84	RETAINER, wiring (4)	FLSTF, FLSTS, FXST, FXSTB, FXSTS
	70345-84	RETAINER, wiring (2)	FXSTB
5	71563-96	HOUSING, lower, right	ALL
6	71564-96	HOUSING, upper, right	ALL
7	71567-96	HOUSING, upper, left	ALL
8	71568-96A	HOUSING, lower, left	ALL
9	71684-06A	SWITCH KIT, engine stop/start, w/ 10181 & 72266-94	ALL
10	71621-08	SWITCH KIT, front, stop lamp, w/ 10181 & 72266-94	ALL
11	71683-06A	SWITCH KIT, right turn signal, w/ 10181 & 72266-94	ALL
12	71682-06A	SWITCH KIT, dimmer & horn, w/ 10181 & 72266-94	ALL

INDEX NO.	PART NO.	DESCRIPTION	MODEL(S)
13	71598-96A	SWITCH KIT, left turn signal, w/ 10181 & 72266-94	ALL
14	72116-94BK	PLUG, 6-way socket (2)	ALL
15	72156-94	SOCKET LOCK, secondary, 6-way (2)	ALL
16	72176-94	FRONT SEAL, 6-way plug (2)	ALL
17	72191-94	TERMINAL, socket (as required)	ALL
18	72266-94	HEAT SHRINK TUBE, dual wall, 0.3 x 2 inch (as required)	ALL

## SWITCHES & CIRCUIT BREAKERS



[View interactive image](#)

[View interactive table](#)

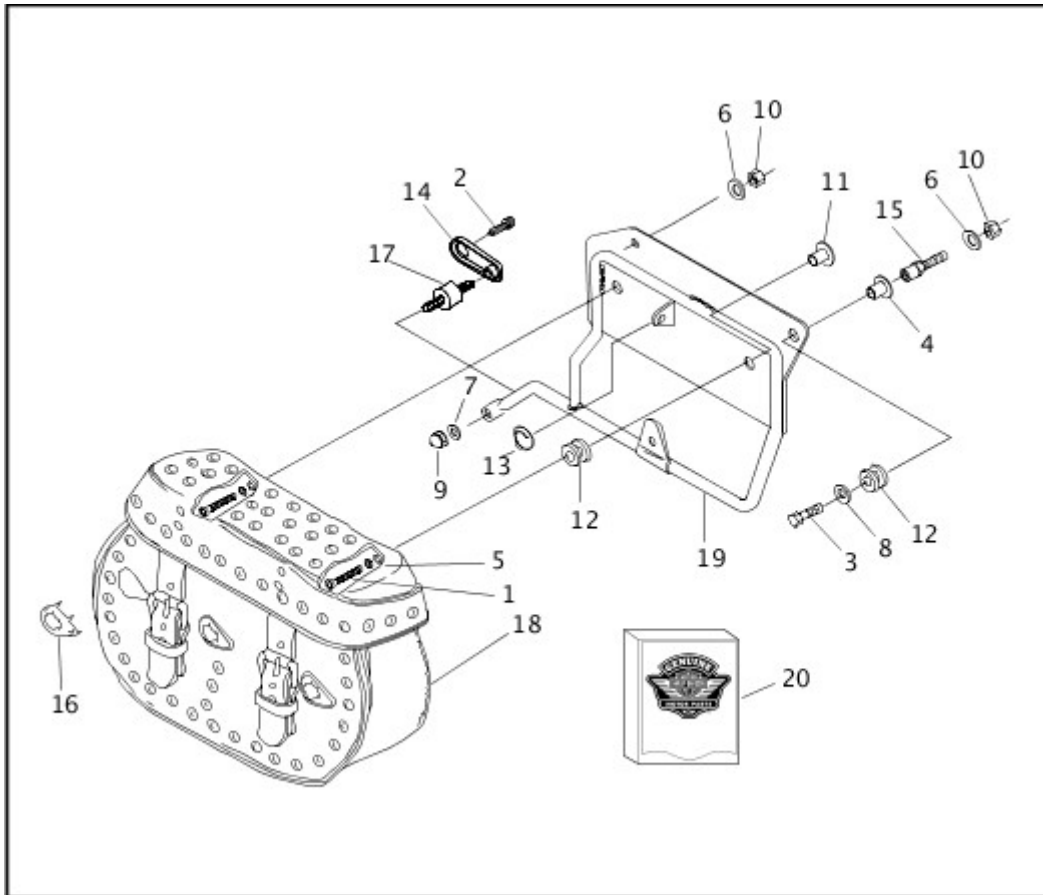
INDEX NO.	PART NO.	DESCRIPTION	MODEL(S)
1	2501A	SCREW (4)	ALL
2	2872W	BOLT	ALL
3	4091	SCREW, self-tapping	ALL
4	6035A	WASHER, rubber	ALL
5	6047	WASHER	ALL
6	6084	SPACER, nylon	ALL

NOTE: For additional fuse, relay and circuit breaker part number information, see Main Wiring Harness information.

INDEX NO.	PART NO.	DESCRIPTION	MODEL(S)
7	6645	WASHER	ALL
8	7629	NUT (2)	ALL
9	7945	NUT, self-threading	ALL
10	8483A	RIVET, circuit breakers	ALL
11	9989A	CLIP, circuit breaker	ALL
12	10151	FASTENER, nylon (2)	ALL
13	10170	CLIP, adhesive backed	ALL
14	11290	O-RING, neutral indicator switch	ALL
15	31504-91B	STARTER RELAY, w/ diode	ALL
16	33902-98A	SWITCH, neutral indicator, w/ O-ring	ALL
17	68540-96	MODULE, turn signal canceller	ALL
18	70044-96	WIRE ASSEMBLY, circuit breaker to starter	ALL
19	70932-96A	BRACKET, electrical connector mounting	ALL
20	70940-96	BOOT, rubber, anti-rotational	ALL
21	71313-96A	IGNITION SWITCH, w/ keys	ALL
22	71452-91A	KEY (specify key code)	ALL
23	72023-51E	STOP LAMP SWITCH, rear	ALL
24	72147-96	ELECTRICAL BOX ASSEMBLY	ALL
25	72328-96	BRACKET, turn signal module	ALL
26	74587-94	CIRCUIT BREAKER, 15 amp (4)	ALL
27	74599-77B	CIRCUIT BREAKER, 30 amp, battery	ALL

NOTE: For additional fuse, relay and circuit breaker part number information, see Main Wiring Harness information.

## SADDLEBAGS - FLSTC



View interactive image

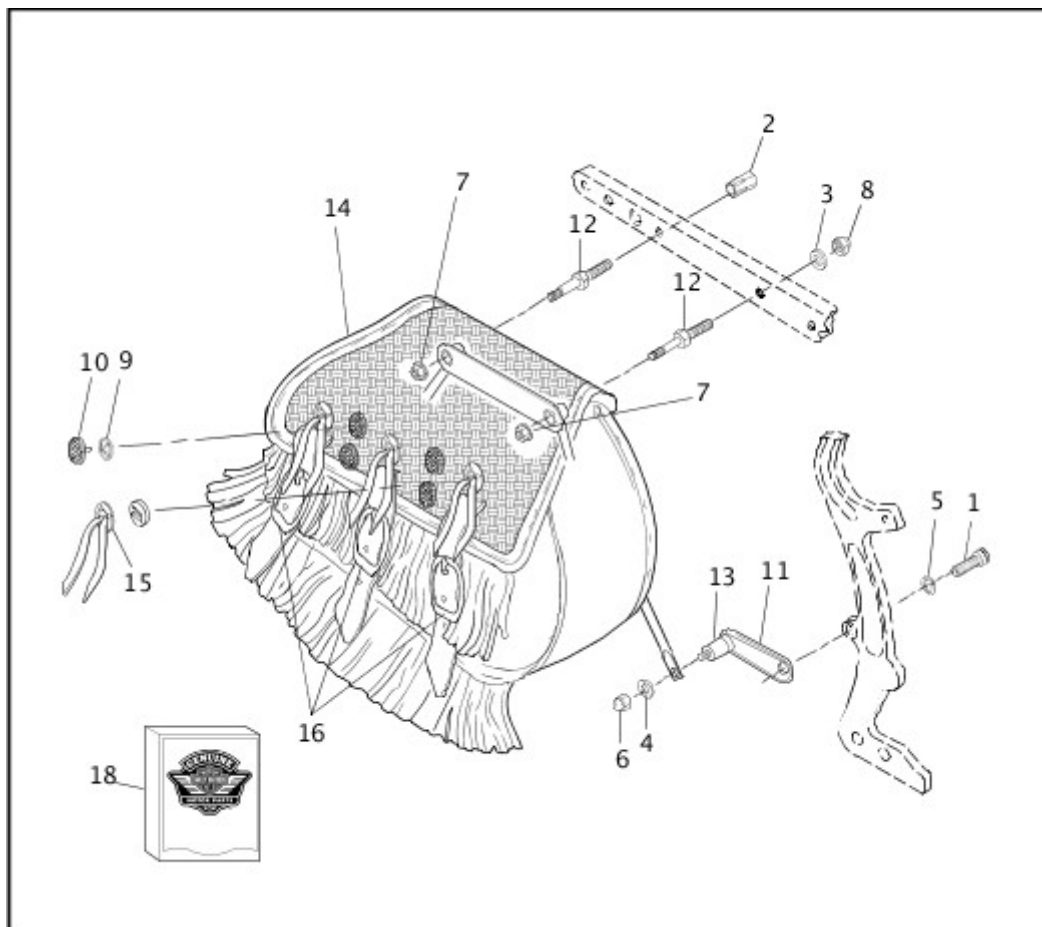
View interactive table

INDEX NO.	PART NO.	DESCRIPTION	MODEL(S)
1	2602A	BOLT (6)	FLSTC
2	3549A	SCREW (2)	FLSTC
3	4017	BOLT (4)	FLSTC
4	5787	T-SPACER (4)	FLSTC
5	6235	WASHER (6)	FLSTC
6	6701	WASHER (4)	FLSTC
7	6702	WASHER (2)	FLSTC
8	6788	WASHER (4)	FLSTC
9	7507	ACORN NUT (2)	FLSTC
10	7778	LOCKNUT (4)	FLSTC
11	7868	T-SPACER (6)	FLSTC
12	11473	GROMMET (10)	FLSTC



INDEX NO.	PART NO.	DESCRIPTION	MODEL(S)
13	51923-86	COTTER CIRCLE (2)	FLSTC
14	90346-94	SUPPORT, lower, front (2)	FLSTC
15	90361-94A	SUPPORT, upper (4)	FLSTC
16	90470-90	ORNAMENT, teardrop, right (3)	FLSTC
	90471-90	ORNAMENT, teardrop, left (3)	FLSTC
17	90473-94	ISOLATOR (2)	FLSTC
18	90477-93	SADDLEBAG, right	FLSTC
	90476-93	SADDLEBAG, left	FLSTC
19	90785-94	SUPPORT, right	FLSTC
	90787-94	SUPPORT, left	FLSTC
20	90438-10	SADDLEBAG STRAP REPAIR KIT	FLSTC

## SADDLEBAGS - FLSTS

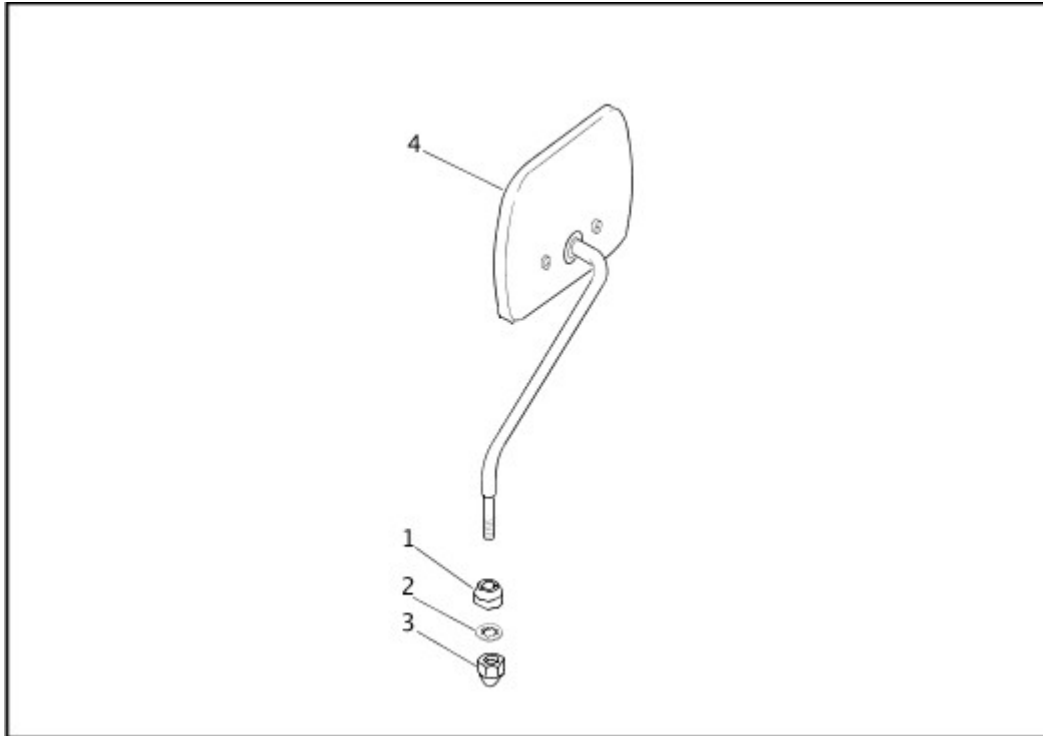


[View interactive image](#)

View interactive table

INDEX NO.	PART NO.	DESCRIPTION	MODEL(S)
1	3549A	SCREW (2)	FLSTS
2	5807	NUT (2)	FLSTS
3	6701	WASHER (2)	FLSTS
4	6702	WASHER (2)	FLSTS
5	7068	LOCKWASHER (2)	FLSTS
6	7507	ACORN NUT (2)	FLSTS
7	7531	LOCKNUT (4)	FLSTS
8	7778	LOCKNUT (2)	FLSTS
9	7901	SPEED NUT (8)	FLSTS
10	59336-97	REFLECTOR, saddlebag (red) (use 59396-07) (8)	FLSTS
	59396-97	REFLECTOR, saddlebag (black) (replaces 59336-97) (8)	FLSTS
11	90346-94	SUPPORT, lower front (2)	FLSTS
12	90367-97	STUD (4)	FLSTS
13	90473-94	ISOLATOR (2)	FLSTS
14	91300-99A	SADDLEBAG, right (black trim)	FLSTS
	91299-99A	SADDLEBAG, left (black trim)	FLSTS
15	91877-97	CONCHO (6)	FLSTS
16	90291-03	BUCKLE ASSEMBLY, saddlebag (6)	FLSTS
<b>INTERNATIONAL MODELS ONLY</b>			
17	90467-97	ORNAMENT, saddlebag (not illustrated) (8)	FLSTS
18	98837-97	SADDLEBAG REMOVAL KIT, includes 4 thread protector caps	FLSTS

## MIRRORS

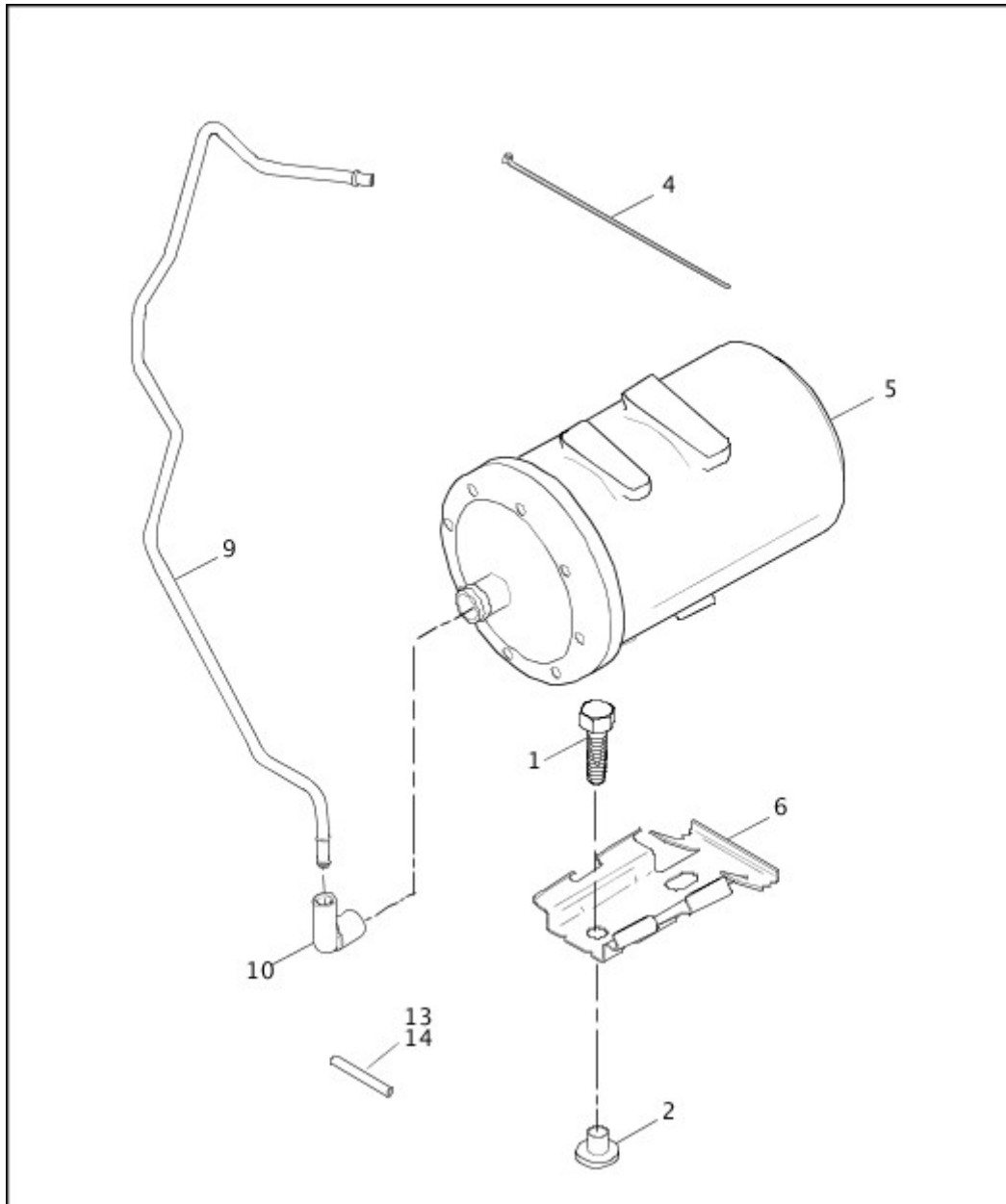


[View interactive image](#)

[View interactive table](#)

INDEX NO.	PART NO.	DESCRIPTION	MODEL(S)
1	5714	SPACER (2)	ALL
2	7127	LOCKWASHER (2)	ALL
3	7736	ACORN NUT (2)	ALL
4	91875-88A	MIRROR KIT, short, right, convex	FLSTC, FLSTF, FLSTS, FXST, FXSTC, FXSTS
	91892-88A	MIRROR KIT, short, left, convex	FLSTC, FLSTF, FLSTS, FXST, FXSTC, FXSTS
	91909-90A	MIRROR KIT, short, right, convex (black)	FXSTB
	91910-90A	MIRROR KIT, short, left, convex (black)	FXSTB

## CALIFORNIA EVAPORATIVE EMISSIONS COMPONENTS



[View interactive image](#)

[View interactive table](#)

INDEX NO.	PART NO.	DESCRIPTION	MODEL(S)
1	3574	SCREW (2)	ALL
2	8099	WELL NUT (2)	ALL
3	9988	CLAMP (not illustrated)	ALL
4	10039	CABLE STRAP	ALL
5	27042-84A	CANISTER ASSEMBLY	ALL
6	27047-84B	CANISTER BRACKET	ALL

NOTE: These parts are for 1999 and later 1340 cc model motorcycles sold in the state of California.

INDEX NO.	PART NO.	DESCRIPTION	MODEL(S)
7	27292-95	ELBOW, canister (not illustrated)	ALL
8	27051-90A	EVAPORATIVE TUBE ASSEMBLY, canister to carburetor backplate (not illustrated)	ALL
9	28884-95	EVAPORATIVE TUBE ASSEMBLY, large diameter tube from canister to carburetor backplate	ALL
10	29312-95	CONNECTOR, evaporator	ALL
11	67239-83	CLIP, cable guide (not illustrated)	ALL
12	70933-90	PROTECTIVE TAPE (not illustrated)	ALL
<b>NOTE: Hose or insulator is sold in bulk length under the following part numbers. Cut to length.</b>			
13	26571-89	HOSE, 7/32 inch I.D. x 7/16 inch O.D. (rubber) (10 feet)	ALL
14	27138-90	HOSE, 3/16 inch I.D. x 11/32 inch O.D. (rubber) (10 feet)	ALL

NOTE: These parts are for 1999 and later 1340 cc model motorcycles sold in the state of California.

#### Hardware List

[View interactive table](#)

PART NO.	DESCRIPTION
1357W	SCREW 1/4-20 X 1 Phillips oval countersink head (stainless)
1601	SCREW No. 8-32 X 1/2 Pozidriv flat countersink head (Grade 2)
1602	SCREW 1/4-20 X 3/4 flat head (Grade 2)
1783C	SCREW 5/16-18 X 7/8 Pozidriv flat countersink head (Grade 2)
1795A	SCREW 1/4-20 X 3 socket head (Grade 8)
2005	SCREW 3/8-24 X 15/16 Pozidriv oval countersink head (Grade 2) (chrome)
2273A	SCREW No. 4-24 X 1/2 self-tapping, with sealant
2444	SCREW No. 12-24 X 7/8 TORX head, with lockpatch
2447	SCREW 3/16-24 X 3/4 socket button head (Grade 8)
2448	SCREW 3/16-24 X 1/2 socket button head (Grade 8)
2501A	SCREW No. 8-32 X 3/8 hex head, self-tapping
2531	SCREW No. 4-40 X 5/16 Pozidriv pan head (Grade 2)
2534	SCREW 5/16-24 X 3/4 button head (Grade 8)
2538	SCREW 1/4-20 X 1 Pozidriv pan head (Grade 2)
2558	SCREW No. 6-32 X 3/16 pan head
2579A	SCREW No. 8-32 X 5/16 Pozidriv oval head

PART NO.	DESCRIPTION
2604	SCREW No. 10-32 X 1/2 Pozidriv pan head (Grade 2)
2607	SCREW 1/4-20 X 3/4 Pozidriv pan head (Grade 2)
2611C	BOLT No. 10-32 X 3/4 hex head, with washer (Grade 5)
2614	BOLT 1/4-28 X 2 hex head (Grade 5)
2647B	SCREW No. 10-24 X 3/4 socket head, self-locking
2692WB	SCREW No. 10-24 X 1/2 socket fillister head (Grade 8)
2696	SCREW 5/16-24 X 3/4 socket head (Grade 8)
2711	SCREW No. 4-40 X 3/8 pan head, self-tapping
2720	SCREW 10-24 X 1.0 TORX head, with lockpatch
2737	SCREW No. 4-40 X 1/4 Pozidriv pan head (Grade 2)
2773	SCREW 1/4-20 X 1/2 Pozidriv pan head (Grade 2)
2823	SCREW 5/16-24 X 3/8 Pozidriv truss head, with lockpatch
2871W	BOLT 5/16-18 X 1-1/4 hex head (Grade 5)
2872W	BOLT 1/4-20 X 1-1/2 hex head (Grade 5)
2879W	BOLT 3/8-16 X 1 hex head (Grade 5)
2882W	SCREW 5/16-18 X 5/8 hex head (Grade 5)
2904A	SCREW 3/8-24 X 3/4 socket head
2921	SCREW No. 12 X 5/8 TORX pan head
2927	SCREW 1/4-20 X 1/2 socket flat head
2932A	SCREW 5/16-18 X 1-1/2 hex cap with scotch grip
2952A	SCREW 1/4-20 X 1/2 SEMS truss head
2980	SCREW M6 X 1 X 16mm hex flange head
31689-90	BOLT M4 X 0.7 X 12 hex head
3210A	SCREW 5/16-18 X 1-1/4 knurled head
3214	SCREW 3/8-16 X 1-1/4 socket head, thread-cutting
3221	SCREW No. 4-16 X 3/16 (Grade 8)
3268	SCREW 5/16-18 X 1-1/4 knurled head
3275	SCREW 5/16-18 X 3/4 socket head (Grade 8)
3300	SCREW 5/16-18 X 1-1/2 socket head, with lockpatch (Grade 8)
3398	SCREW 5/16-18 X 3-3/8 hex flange head

PART NO.	DESCRIPTION
3403	LOCKNUT M8-1.25 X 12mm flange (zinc)
3440	BOLT 3/8-16 X 1/2 hex head (Grade 5)
3445	BOLT 5/16-18 X 9/16 hex head, with lockpatch (Grade 5)
3471	BOLT 1/2-13 X 2-3/4 hex head (Grade 5)
3473	BOLT No. 10-32 X 1/2 hex head (Grade 2)
3480A	SCREW 1/4-20 X 1-3/4 knurled head (Grade 8)
3485A	SCREW 5/16-18 X 1-3/4 knurled head (Grade 8)
3494A	BOLT 5/16-18 X 7/8 hex head
3500A	BOLT 5/16-18 X 2-3/4 hex head (Grade 8)
3501A	BOLT 5/16-18 X 2-1/2 hex head (Grade 8)
3504A	BOLT 5/16-24 X 5-3/8 hex flange head (Grade 5)
3506	STUD 5/16-24 X 5-3/4 hex head (Grade 5)
35078-79	NUT 3/4-16 X .391 X 1
3509	BOLT 3/8-16 X 2-3/4 hex head (Grade 8)
3512	BOLT 3/8-24 X 3-1/4 hex head (chrome)
3514	SCREW No. 8-32 X 1 fillister head (Grade 5)
3516A	SCREW 1/2-20 X 1-1/4 knurled head (Grade 8)
35211-91B	NUT 1-1/2-24 X .350 X 1-7/8 hex head
3533	SCREW 5/16-24 X 3/8 socket button head
3538	SCREW 5/16-24 X 1/2 socket button head
3546	BOLT 5/16-18 X 5/8 hex flange head, with lockpatch
3549A	SCREW 1/2-20 X 1-1/2 knurled head
3560WA	BOLT No. 10-24 X 3/8
3561WC	BOLT No. 10-24 X 3/8
3562	SCREW No. 12 X 1/2 hex head, with washer, self-tapping
3563	SCREW 1/4-20 X 3/8 hex flange head (Grade 5)
3574	SCREW 1/4-20 X 3/4 flange
3576	SCREW 5/16-18 X 1/2 hex head, with washer.
3594	SCREW 1/4-20 X 5/8 knurled head (Grade 8)
3602A	SCREW No. 10-32 X 1/2 self-tapping

PART NO.	DESCRIPTION
3613	SCREW 5/16-24 X 5-1/2 flange head
3655A	SCREW 5/16-18 X 7/8 TORX pan head, with lockpatch (Grade 8)
3658	SCREW No. 10-24 X 1/2 TORX head (Grade 5)
3689	BOLT 1/4-20 X 5/8 (Grade 2)
3691	SCREW No. 8-32 X 5/8 socket button head
3728	SCREW 1/4-20 X 1/2 hex head
3730A	BOLT 7/16-14 X 1-3/4 hex head (Grade 8)
3739	SCREW 1/4 X 5/8 hex head, with lockpatch, self-tapping
3767B	BOLT 1/4-20 X 5/8 hex head (Grade 5)
3770	SCREW 1/4-20 X 7/8 12 pt. head (Grade 5)
3775	SCREW 3/8-16 X 2 hex head (Grade 5)
3784	SET SCREW 1/2-20 X 1/2 socket head, with lockpatch
3787	BOLT 1/4-20 X 3/4 hex head (Grade 5)
3793A	SCREW 1/4-20 X 5/8 TORX head (Grade 8)
3849	SCREW 1/4-20 X 1-1/4 SEMS hex head (Grade 8)
3893	SCREW 1/4-20 X 1/2 hex head, with washer, self-tapping
3953W	BOLT 5/16-24 X 1/2 hex head (Grade 5)
3960W	BOLT 5/16-24 X 1 hex head (Grade 5)
3974HW	BOLT 5/16-24 X 3/4 hex head (Grade 5)
3987	BOLT 5/16-18 X 3/4 hex head (Grade 5)
3991	BOLT 5/16-18 X 7/8 hex head (Grade 5)
3993	BOLT 1/4-20 X 1-1/4 hex head (Grade 5)
4014W	BOLT 5/16-24 X 1-1/4 hex head (Grade 5)
4017	BOLT 5/16-18 X 1 hex head (Grade 5)
4029A	SCREW 3/8-16 X 2-1/4 socket head (black)
4036	BOLT 5/16-24 X 1-1/2 hex head (Grade 5)
4044	SCREW 3/8-16 X 1-1/4 socket button head
4068A	BOLT 5/16-18 X 2-1/2 hex head (Grade 5)
4074A	BOLT 1/2-13 X 2 hex head, shoulder
4091	SCREW No. 10-24 X 1/2 hex head, with washer, self-tapping (zinc)



PART NO.	DESCRIPTION
4132	SCREW 1/4-20 X 1-1/8 TORX button head (Grade 5) (black)
4134	SCREW No. 10-24 X 3/8 TORX pan head
4163	SCREW 3/4-16 X 7/8 TORX button head (Grade 8)
4164	SCREW 3/8-16 X 1-1/4 hex head (Grade 8)
4165	SCREW 3/4-16 X 1-39/64 hex head (Grade 8)
4166	SCREW No. 8-32 X 1/2 socket button head (Grade 8) (chrome)
4326A	SCREW 5/16-18 X 2 socket head
4350A	SCREW 3/8-16 X 1-1/2 socket head
4352	SCREW 3/8-16 X 1-1/2 TORX, self-tapping (Grade 8)
43567-92	SCREW 3/8-16 X 1 TORX pan head, with lockpatch
4358A	SCREW No. 10-32 X 5.250 hex head (zinc plate)
4391	BOLT 5/16-24 X 5/8 hex head (Grade 5)
4411	BOLT 3/8-24 X 1-3/4 hex head (Grade 5)
4416	BOLT 3/8-24 X 1 hex head (Grade 5)
4453	BOLT 1/4-20 X 7/8 hex head SPECIAL WITH TAPPED HOLE
45405-75A	SCREW M8 X 1.25 x 27 hex socket head
45717-63	LOCKWASHER 1 X 2 X 0.035 keyed special
45718-60	NUT 1-24 X 1.5 X 0.47
4713W	BOLT 3/8-16 X 3/4 hex head (Grade 5)
4716W	SCREW 3/8-16 X 1-1/4 hex head (Grade 5)
4717A	SCREW 1/4-20 X 2-1/4 knurled head, with lockpatch
4718A	SCREW 1/4-20 X 1-1/2 knurled head, with lockpatch
4719W	BOLT 3/8-16 X 2-1/2 hex head (Grade 5)
4721	BOLT 3/8-16 X 1-1/2 hex head (Grade 5)
4722	BOLT 3/8-16 X 2-1/4 hex head (Grade 5)
4724	BOLT 3/8-24 X 1-1/2 hex head (Grade 5)
4726	BOLT 7/16-20 X 1-1/2 hex head (Grade 5)
4729	BOLT 7/16-20 X 1-1/4 hex head (Grade 5)
4740A	SCREW 1/4-20 X 1-1/4 knurled head, with lockpatch (Grade 8)
4741A	SCREW 1/4-20 X 1 socket head, with lockpatch

PART NO.	DESCRIPTION
4742A	SCREW 1/4-20 X 2-1/4 knurled head, with lockpatch
4747	SCREW 3/8-16 X 2-5/8 knurled head (Grade 8)
4761	SCREW 1/4-20 X 2 socket button head
4813A	SCREW 1/4-20 X 1-3/8 knurled head, with lockpatch
4814A	SCREW 1/4-20 X 1-1/8 knurled head, with lockpatch
4816A	SCREW 5/16-18 X 1-1/2 socket head
4820A	SCREW 1/4-20 X 2 socket head
4961	BOLT 3/4-16 X 1-5/8 hex head (Grade 5)
5403B	BOLT 1/4-20 X 3/8 carriage
5416	BOLT 3/8-16 X 1/8 carriage (Grade 5)
54321-85	NUT No. 8-32 X 1/2 X 1/8 (brass)
5444	BOLT 3/8-16 X 1 carriage (Grade 5)
5465	BOLT No. 10-24 X 1/2 carriage
5710	WASHER 63/64 X 1-1/2 X 5/64
5756	WASHER 21/32 X 1-5/16 X 5/8
5775	WASHER 11/32 X 1/2 X 31/64
6003	WASHER 1-3/16 X 1-3/8 X 11/16
6016	WASHER 11/32 X 11/16 X 1/16
6019	WASHER 3/8 X 29/32 X 1/16
6035A	WASHER 1/4 X 1-1/4 X 1/8 neoprene
6036	WASHER 17/64 X 1 X 1/16
6040A	WASHER 3/4 X 1-1/2 X 1/16
6042A	WASHER 1 X 1-1/5 X 1/16 layered
6047	WASHER 5/8 X 13/64 X 3/64
6057	WASHER 1/2 X 7/8 X 3/16, nylon
6072	WASHER 3/8 X 1 1/4 X 5/64
6099	WASHER 1/4 X 7/16 X 1/16
6101	WASHER 17/64 X 27/64 X 1/16
6109	WASHER 5/16 X 11/16 X 1/8
6127	WASHER 13/32 X 13/16 X 5/64

PART NO.	DESCRIPTION
6220W	WASHER 1/4 X 7/16 X 1/32
6235	WASHER 1/4 X 23/32 X 1/16
6239	WASHER 1/4 X 1/2 X 3/32
6253W	WASHER 1/4 X 3/4 X 3/64
6333	WASHER 5/16 X 7/8 X 5/64
6334	WASHER 7/16 X 29/32 X 1/16
6352	WASHER 5/16 X 7/8 X 3/32 (chrome)
6353	WASHER 3/8 X 13/16 X 1/16 (chrome)
6365	WASHER 17/32 X 1-1/8 X 5/64
6366	WASHER 1/2 X 1-1/4 X 3/32
6371	WASHER 25/64 X 1 X 3/32
6379W	WASHER 3/8 X 5/8 X 3/64
6400HB	WASHER 5/16 X 13/16 X 3/32
6409	WASHER 1/2 X 3/4 X 1/32 plastic
6497HW	WASHER 29/64 X 1-1/8 X 1/16
6498	WASHER 9/16 X 13/16 X 1/32 nylon
6506	WASHER 1-13/32 X 2-3/32 X 1/16 (bronze)
6516HW	WASHER 7/16 X 1-1/8 X 1/8
6590HW	WASHER 1/2 X 1-1/8 X 3/32
6639	WASHER 5/8 X 1-5/16 X 3/32 (chrome)
6645	WASHER 11/32 X 1-1/32 X 1/8
6655	WASHER 5/8 X 1-1/2 X 7/64
6701	WASHER 3/8 X 13/16 X 1/16
6702	WASHER 5/16 X 11/16 X 1/16
6703	WASHER 1/4 X 5/8 X 1/16
6716	WASHER No. 10 X 1/2 X 3/64
6724	WASHER 21/32 X 1-1/16 X 1/16
6736	WASHER 9/32 X 5/8 X 1/16
6737	WASHER 57/64 X 1-3/64 X 1/32
6753	WASHER 1/2 X 1-1/4 X 1/8 notched

PART NO.	DESCRIPTION
6756	WASHER 1/2 X 1-1/16 X 3/32
6758	WASHER 3/8 X 37/64 X 7/64
6762B	WASHER 11/16 X 29/32 X 1/32
6771A	WASHER 5/16 X 1/2 X 1/16
6788	WASHER 21/6 X 1/2 X 1/16
6812	WASHER 13/32 X 11/16 X 1/16
6829	WASHER 31/64 X 1 X 7/64
7036	WASHER 1/4 X 31/64 X 1/16
7038	LOCKWASHER 3/8
7039	LOCKWASHER 7/16
7041	LOCKWASHER 5/16
7042	LOCKWASHER 5/16 high collar
7045	LOCKWASHER 3/8 high collar
7068	LOCKWASHER 1/2
7069	LOCKWASHER No. 10
7073	LOCKWASHER 1/4 external tooth
7101	LOCKWASHER 3/8 internal/external tooth
7124	LOCKWASHER 1/4 internal tooth
7127	LOCKWASHER 5/16 internal tooth
7129	LOCKWASHER 1/2 internal tooth
7130W	LOCKWASHER 3/8 internal tooth
7142	LOCKWASHER 3/4 internal tooth
7220	LOCKWASHER No. 10 external tooth
7230	LOCKWASHER 1/4 external tooth
7232	LOCKWASHER 5/16 internal tooth
7481	ACORN NUT 5/16-18 X 5/8 X 1/2
7495	NUT M6 flange
7506	NUT No. 4-48 X 3/32 X 1/4 (Grade 2)
7507	ACORN NUT 5/16-18 X 11/16 X 1/2 (Grade 2) (chrome)
7515	JAMNUT 7/16 X 1/4 X 11/16 (Grade 2)

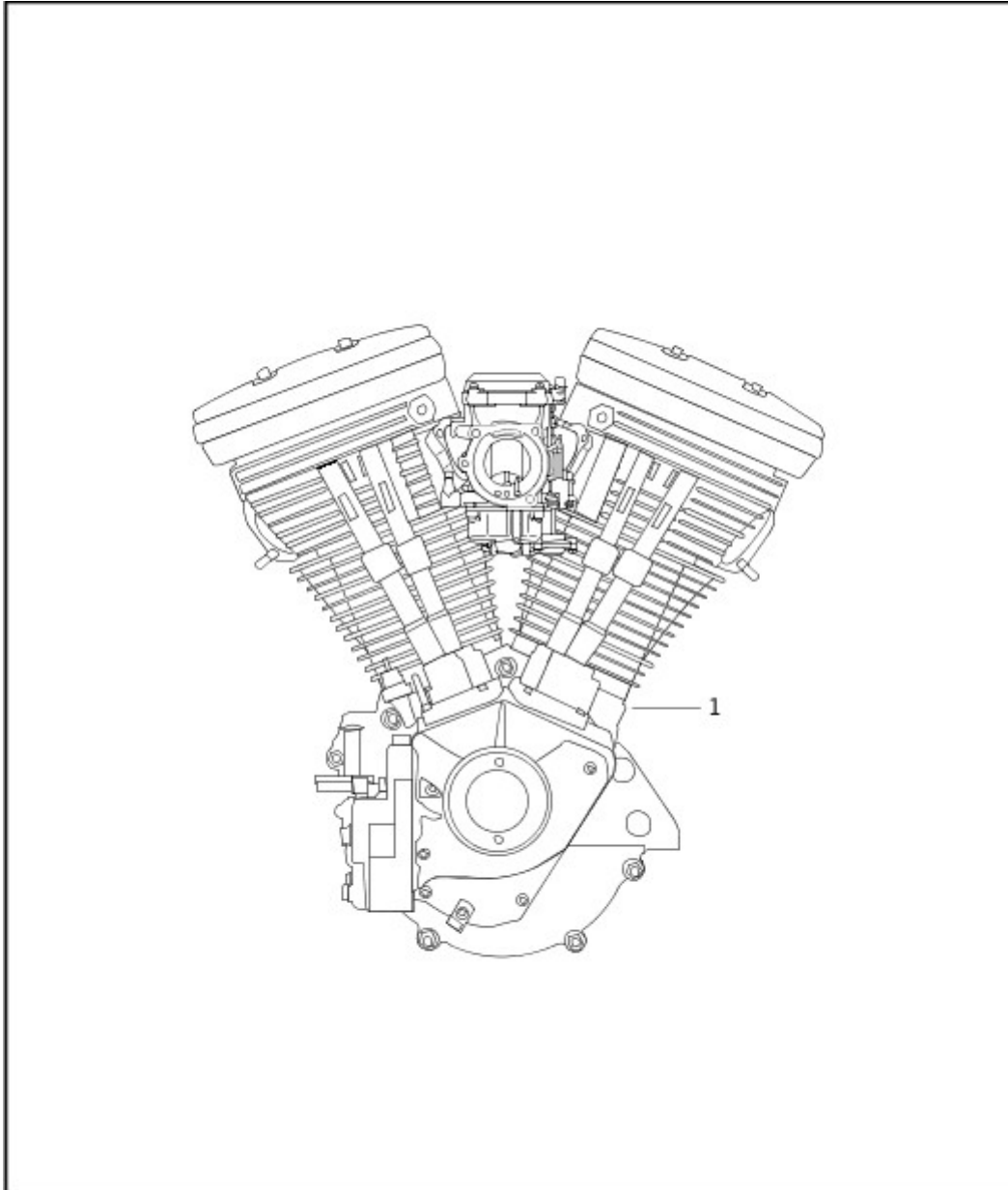
PART NO.	DESCRIPTION
7527	ACORN NUT 5/16-18 X 11/16 X 1/2
7531	LOCKNUT 5/16-18 X 9/32 X 1/2 flange
7593	NUT 5/16-24 flange
7600	NUT No. 4-40 keps
7601	LOCKNUT 3/8-16 flange
7606	LOCKNUT No. 8-32 X 1/4 X 1/4 hex (chrome)
7624	LOCKNUT No. 10-24 X 1/4 X 3/8
7627	ACORN NUT 1/2-13 X 3/4 (chrome)
7629	NUT No. 10-32 X 3/8 keps
7643W	JAMNUT 3/8-16 X 7-32 X 9/16
7651A	ACORN NUT No. 12-24 (Grade 2) (chrome)
7667	NUT 3/8-16 X 9/32 X 9/16 nylon insert
7669	NUT 5/16-18
7680W	ACORN NUT 3/8-16 X 25/32 X 9/16 (Grade 2) (chrome)
7686	LOCKNUT 1/4-20 X 5/16 X 7/16
7688	NUT 1/4-20 X 7/32 X 7/16 (Grade 2)
7716	LOCKNUT 1/4-20 X 7/16 flange
7736	ACORN NUT 5/16-24 X 19/32 X 1/2 (Grade 2) (chrome)
7739	LOCKNUT 5/16-18 X 11/32 X 1/2
7740	LOCKNUT 5/16-18 X 1/4 X 1/2
7742	LOCKNUT 1/4-20 X 7/32 X 7/16
7744	JAMNUT 5/16-24 X 3/16 X 1/2 (Grade 2)
7748W	NUT 5/16-18 X 1/4 X 1/2 (Grade 2)
7753	NUT 5/16-24 X 1/4 X 1/2 (Grade 2)
7768W	LOCKNUT 1/2-13 X 19/32 X 3/4
7775	LOCKNUT 3/8-24 X 7/16 X 9/16
7778	LOCKNUT 3/8-16 X 7/16 X 9/16
7783	NUT 3/8-16 X 5/16 X 9/16 (Grade 2)
7792	NUT 1/4-20 X 1/4 (Grade 2)
7800W	NUT 3/8-24 X 5/16 X 9/16 (Grade 2)

PART NO.	DESCRIPTION
7825	LOCKNUT 7/16-20 X 7/16 X 5/8
7838	NUT No. 10-24 keps
7848W	JAMNUT 7/16-20 X 1/4 X 11/16 (Grade 2)
7855W	JAMNUT 3/4-16 X 7/16 X 1-1/8 (Grade 2)
7862	ACORN NUT 3/8-16 (chrome)
7880	NUT 1/2-13 X 7/16 X 3/4 (Grade 2)
7883	NUT 5/16-24 X 1-1/16
7916A	JAMNUT 5/8-18
7956	NUT 1/2-20 X 1/2 X 3/4
7959	ACORN NUT 1/2-13 X 13/16 X 3/4 (chrome)
7962	NUT 5/16-18 X 1-11/16
7987	NUT 5/8-18 X 15/16 slotted (Grade 8)
7994	LOCKNUT 5/8-18 X 15/16
8108	SPEEDNUT 1/4-20
855B	SCREW 3/8-16 X 2 knurled head
856A	SCREW 5/16-24 X 1 socket head (Grade 8)
858A	BOLT 5/16-18 X 3 hex head (Grade 5)
861A	SCREW 3/8-16 X 1 knurled head (Grade 8)
872A	SCREW 1/2-20 X 3-1/4 knurled head
882	SCREW 1/4-20 X 7/8 knurled head, with washer (Grade 8)
891	SCREW 1/4-20 X 1-3/4 socket head (Grade 8)
90770-79	SCREW No. 8-32 X 3/8 Pozidriv head, self-tapping
923	SCREW 1/4-20 X 3/4 socket pan head
925	SCREW 1/4-28 X 5/8 socket button head (Grade 8)
927A	SCREW 1/4-20 X 3/4 button head (Grade 8)
928	BOLT M5 X 0.8 X 35.2 hex head
929A	SCREW M4 X 0.7 X 11.8 flange head
939	SCREW 1/4-20 X 1 self-tapping, with washer (Grade 2)
941	SCREW 1/4-20 X 5/8 socket button head (Grade 8)
942	SCREW 1/4-20 X 3/4 TORX button head, with lockpatch (Grade 8)

PART NO.	DESCRIPTION
945	SCREW 1/4-20 X 2-1/2 TORX button head (Grade 8)
946	SCREW 1/4-20 X 2-1/4 socket button head, with lockpatch (Grade 8)
961	SCREW 1/4-20 X 1/2 TORX pan head, with washer (Grade 8)

New Parts List

## **ENGINE ASSEMBLY - COMPLETE**



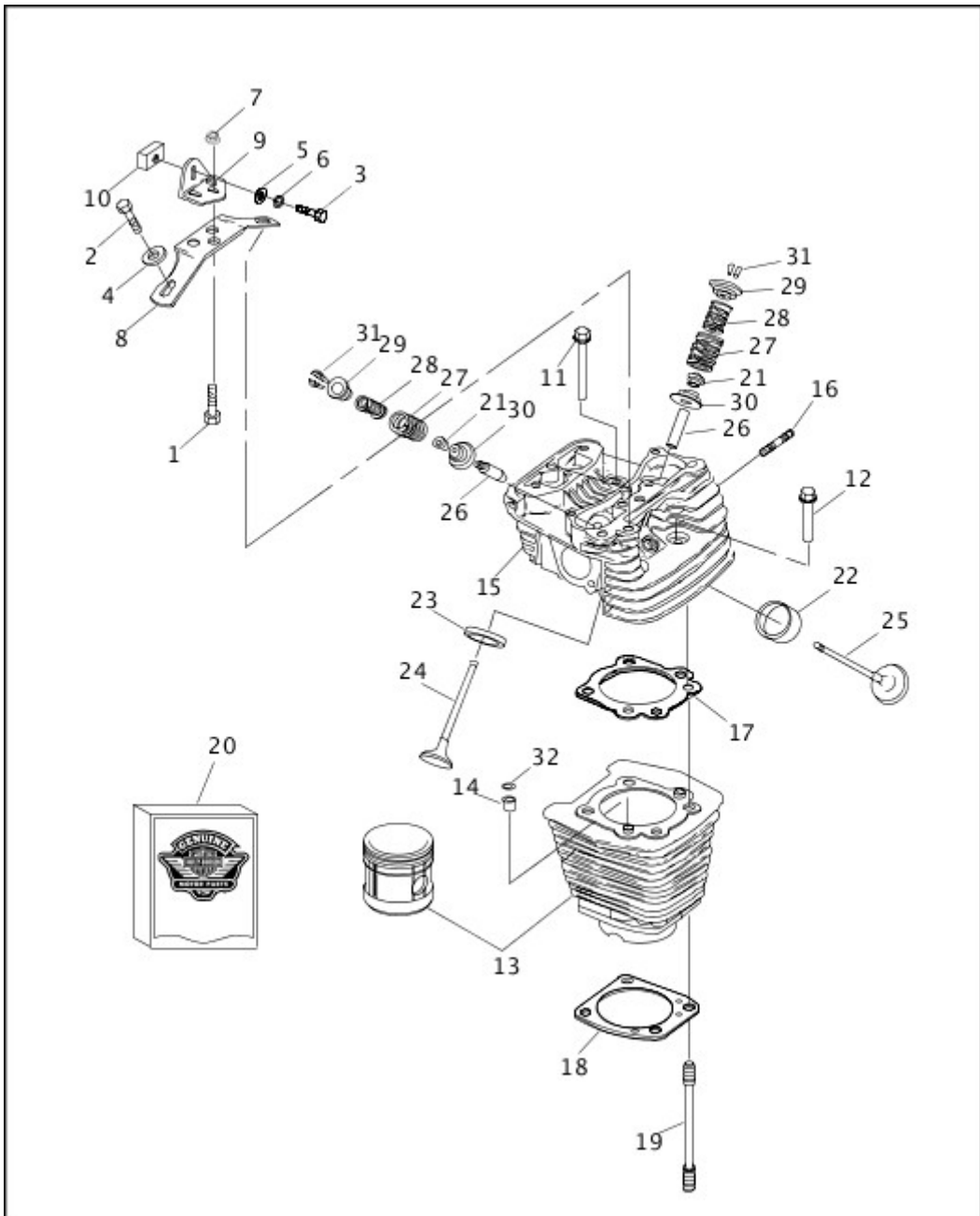
[View interactive table](#)

INDEX NO.	PART NO.	DESCRIPTION	MODEL(S)
1	16118-99	ENGINE ASSEMBLY, complete (polished & silver painted)	FXST

INDEX NO.	PART NO.	DESCRIPTION	MODEL(S)
	16119-99	ENGINE ASSEMBLY, complete (polished & silver painted) (California)	FXST
	16121-99	ENGINE ASSEMBLY, complete (chrome & black texture)	FLSTC, FLSTF, FLSTS, FXSTC, FXSTS
	16126-99	ENGINE ASSEMBLY, complete (chrome & black texture) (California)	FLSTC, FLSTF, FLSTS, FXSTC, FXSTS
	16132-99	ENGINE ASSEMBLY, complete (black wrinkle) (California)	FXSTB
	16155-99	ENGINE ASSEMBLY, complete (black wrinkle)	FXSTB
	16120-99	ENGINE ASSEMBLY, complete (polished & silver painted) (HDI)	FXST
	16122-99	ENGINE ASSEMBLY, complete (chrome & black texture) (HDI)	FLSTC, FLSTF, FLSTS, FXSTC, FXSTS
	16154-99	ENGINE ASSEMBLY, complete (black wrinkle) (HDI)	FXSTB

## CYLINDERS, VALVES & HEADS - V<sup>2</sup>™ EVOLUTION



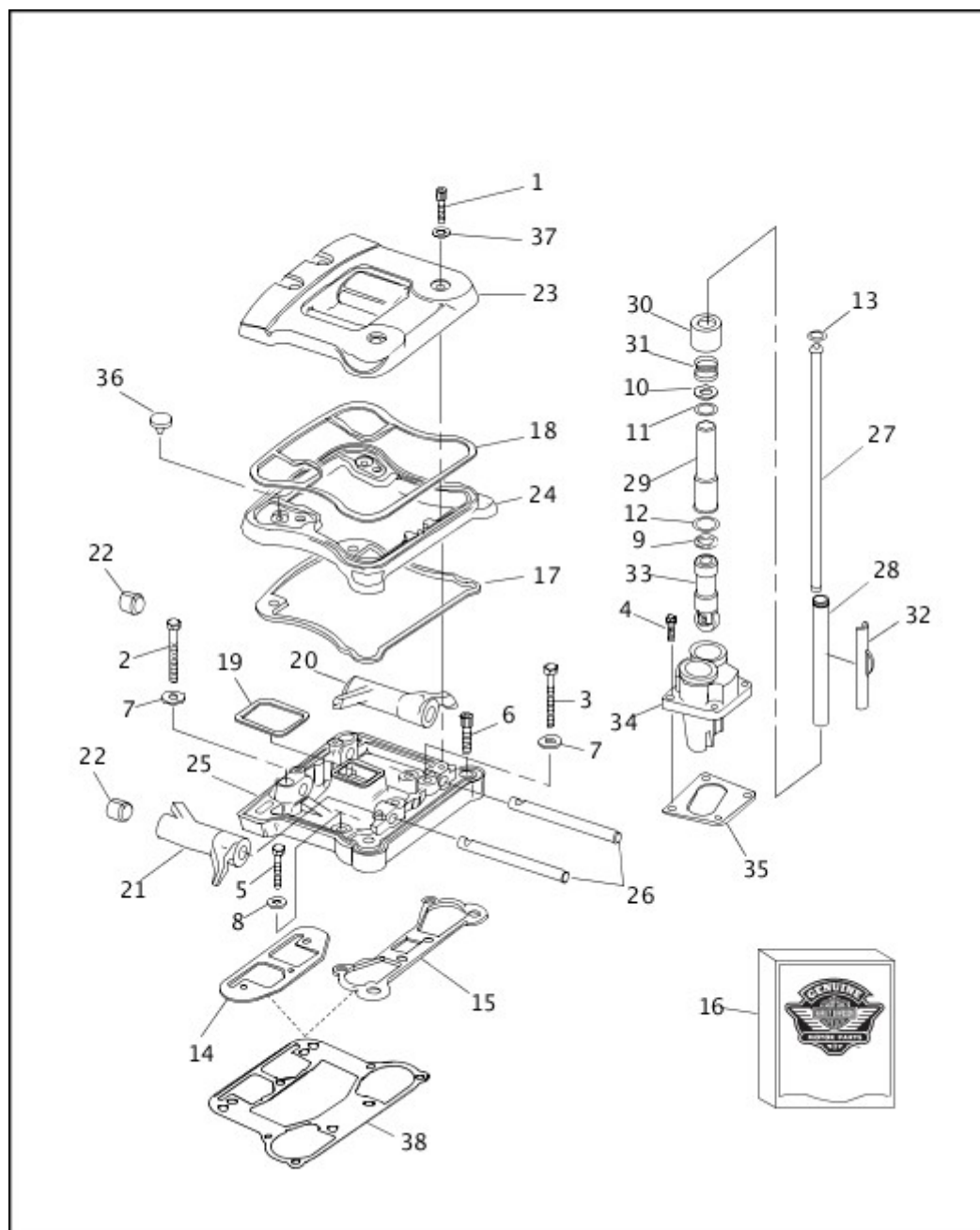


[View interactive table](#)

INDEX NO.	PART NO.	DESCRIPTION	MODEL(S)
12	16480-92A	SCREW, internal thread (4)	ALL
14	16573-83A	INSERT, cylinder stud (4)	ALL
17	16770-84F	GASKET, cylinder head (2)	ALL
24	18074-83B	INTAKE VALVE (2)	ALL
25	18082-83A	EXHAUST VALVE (2)	ALL
26	18101-83D	VALVE GUIDE, intake & exhaust (4)	ALL
	18130-83D	VALVE GUIDE, intake & exhaust, 0.001 O.S. (4)	ALL
	18131-83D	VALVE GUIDE, intake & exhaust, 0.003 O.S. (4)	ALL

INDEX NO.	PART NO.	DESCRIPTION	MODEL(S)
	18133-83B	VALVE GUIDE, intake & exhaust, 0.002 O.S. (4)	ALL
29	18219-83A	COLLAR, valve spring, upper (4)	ALL
31	18229-83A	RETAINER, valve collar (8)	ALL

## ROCKER ARMS, COVERS & PUSHRODS - V<sup>2</sup>™ EVOLUTION

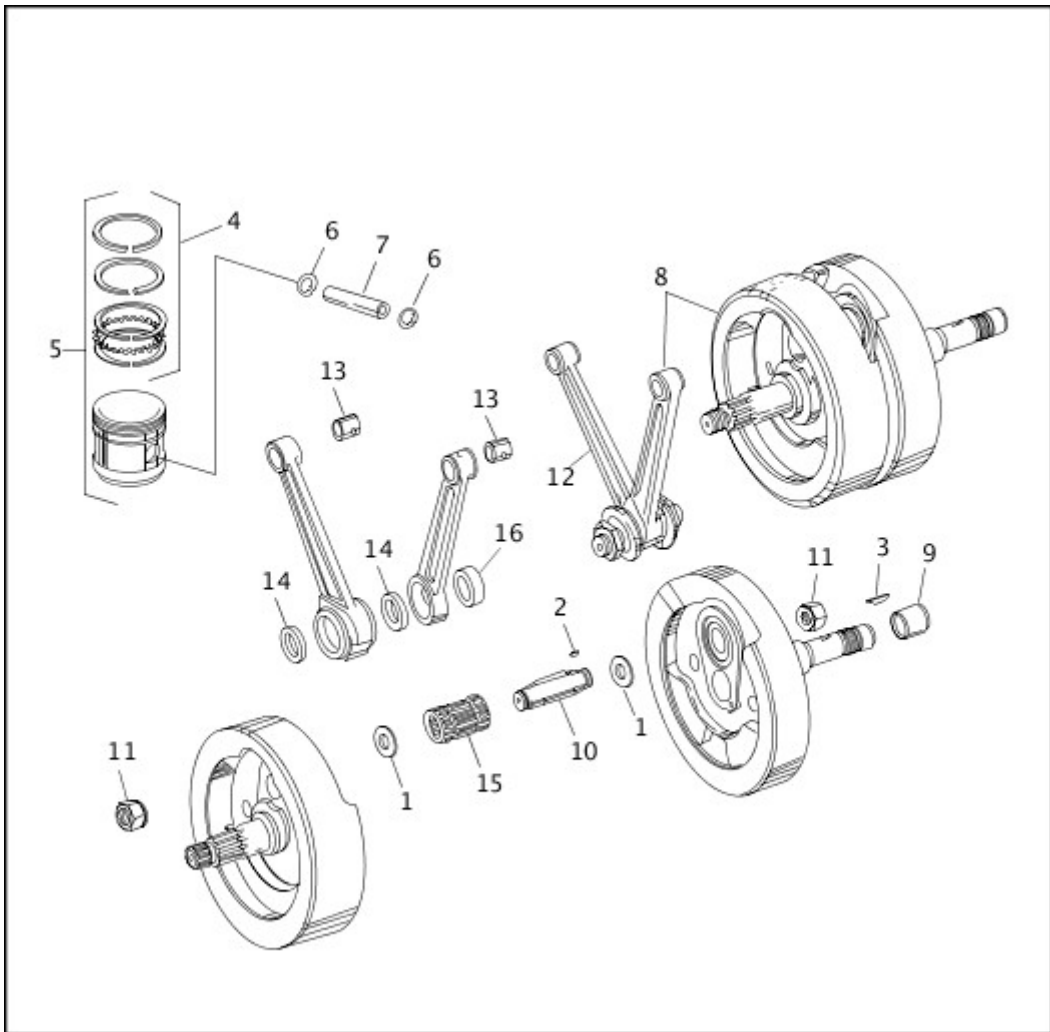


[View interactive table](#)

INDEX NO.	PART NO.	DESCRIPTION	MODEL(S)
2	3500A	BOLT (4)	ALL

INDEX NO.	PART NO.	DESCRIPTION	MODEL(S)
3	3501A	BOLT (4)	ALL
5	3849	SCREW (6)	ALL
11	11132A	O-RING, pushrod cover (4)	ALL
12	11145A	O-RING, pushrod cover (4)	ALL
17	17355-92A	GASKET, rocker cover, lower (2)	ALL
18	17356-92A	GASKET, rocker cover, upper (2)	ALL
19	17358-84B	GASKET, rocker cover, inner (2)	ALL
22	17429-91	BEARING, rocker arm (8)	ALL
27	17921-83A	PUSHROD, rear exhaust, 11.210 inch long	ALL
	17924-83A	PUSHROD, rear intake, 11.045 inch long	ALL
	17927-83A	PUSHROD, front exhaust, 11.325 inch long	ALL
	17930-83A	PUSHROD, front intake, 11.090 inch long	ALL
33	18523-86B	TAPPET, w/ roller (4)	ALL
36	26856-89A	VALVE, umbrella	ALL
38	16800-84A	GASKET, rocker cover/cylinder head, valve & pushrod sides (replaces 16778-84B & 16779-84C) (2)	ALL

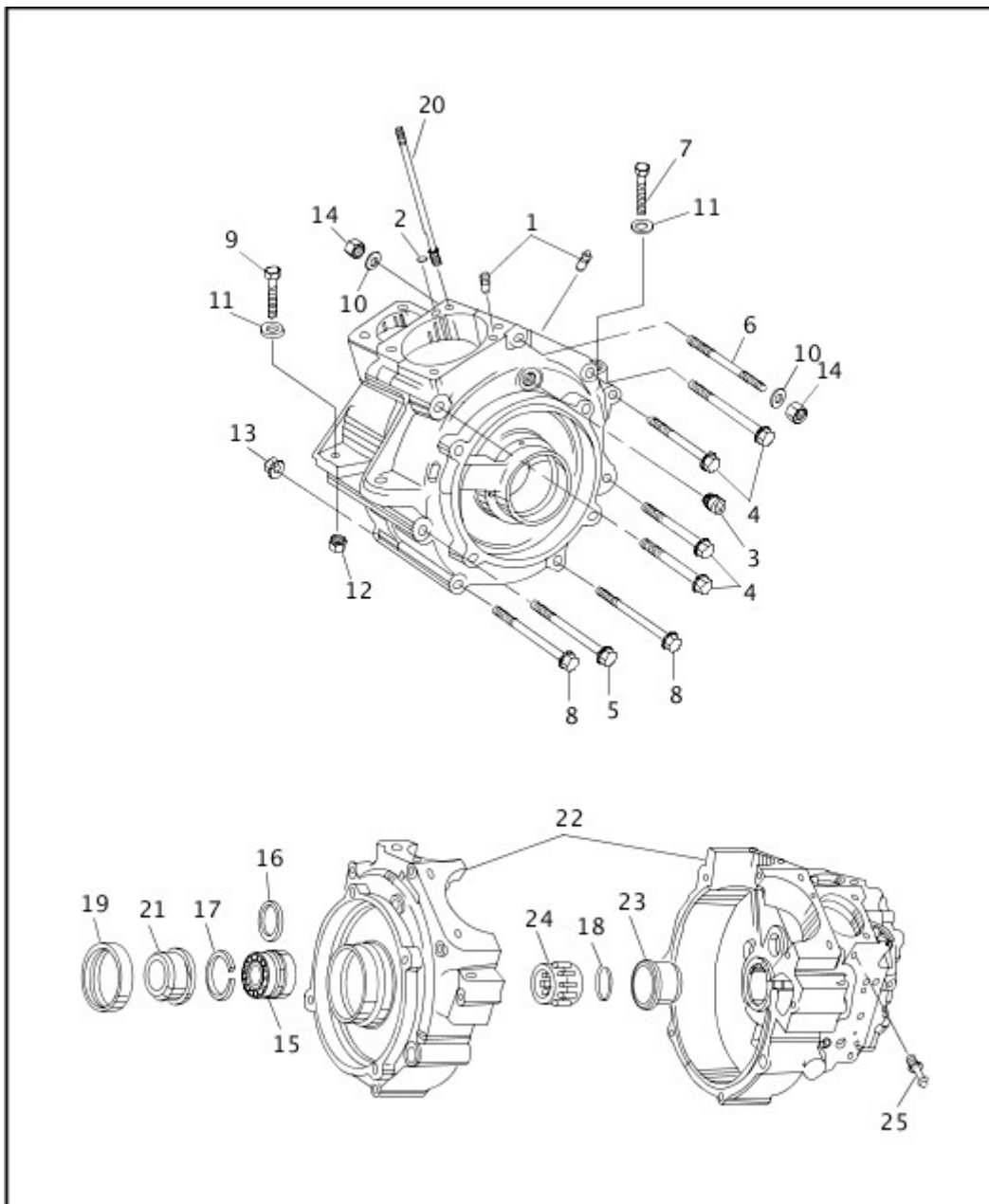
## **PISTONS, CONNECTING RODS & FLYWHEELS**



[View interactive table](#)

INDEX NO.	PART NO.	DESCRIPTION	MODEL(S)
6	22589-83B	LOCK RING, piston pin (4)	ALL
10	23981-98	CRANK PIN, standard	ALL

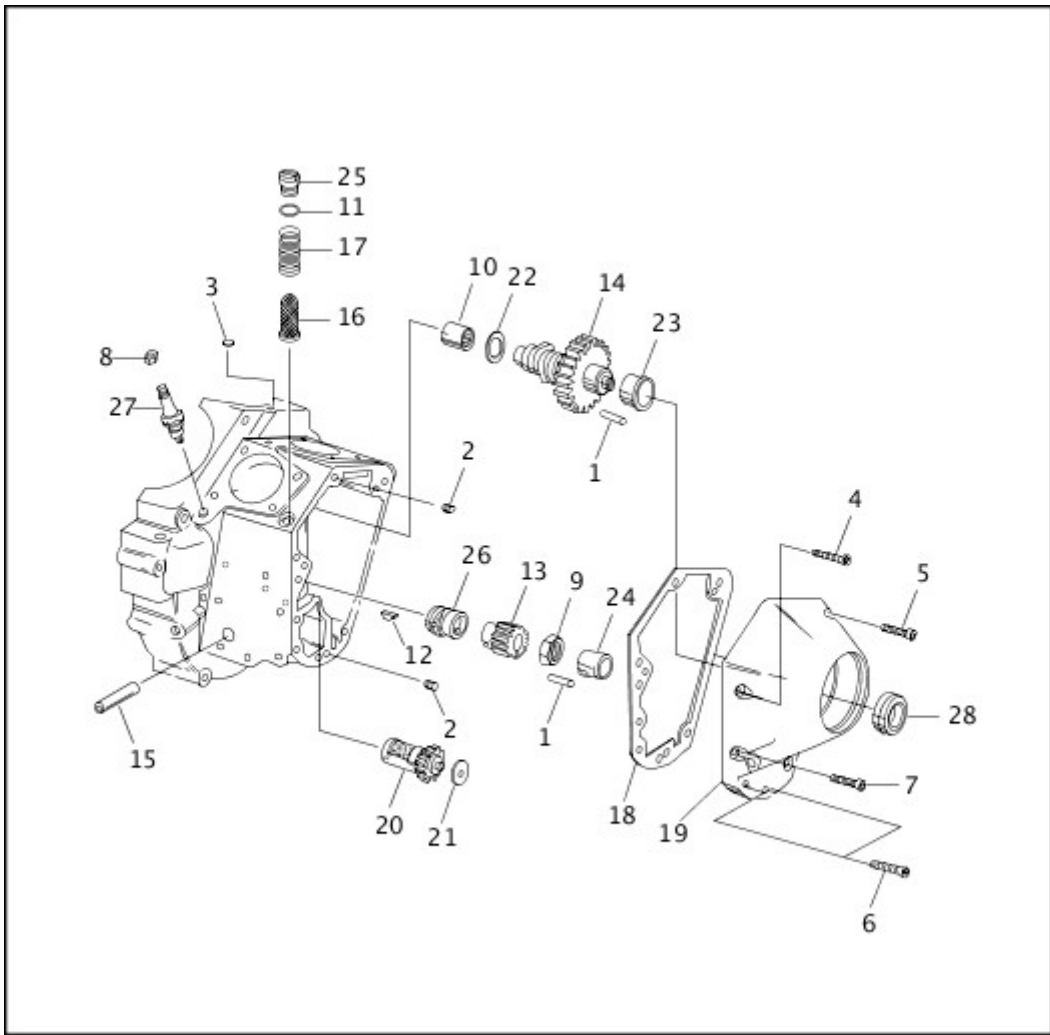
**CRANKCASE**



[View interactive table](#)

INDEX NO.	PART NO.	DESCRIPTION	MODEL(S)
	24572-93A	SET OF CRANKCASES (silver painted)	FXST
25	63533-41A	FITTING, oil hose	ALL

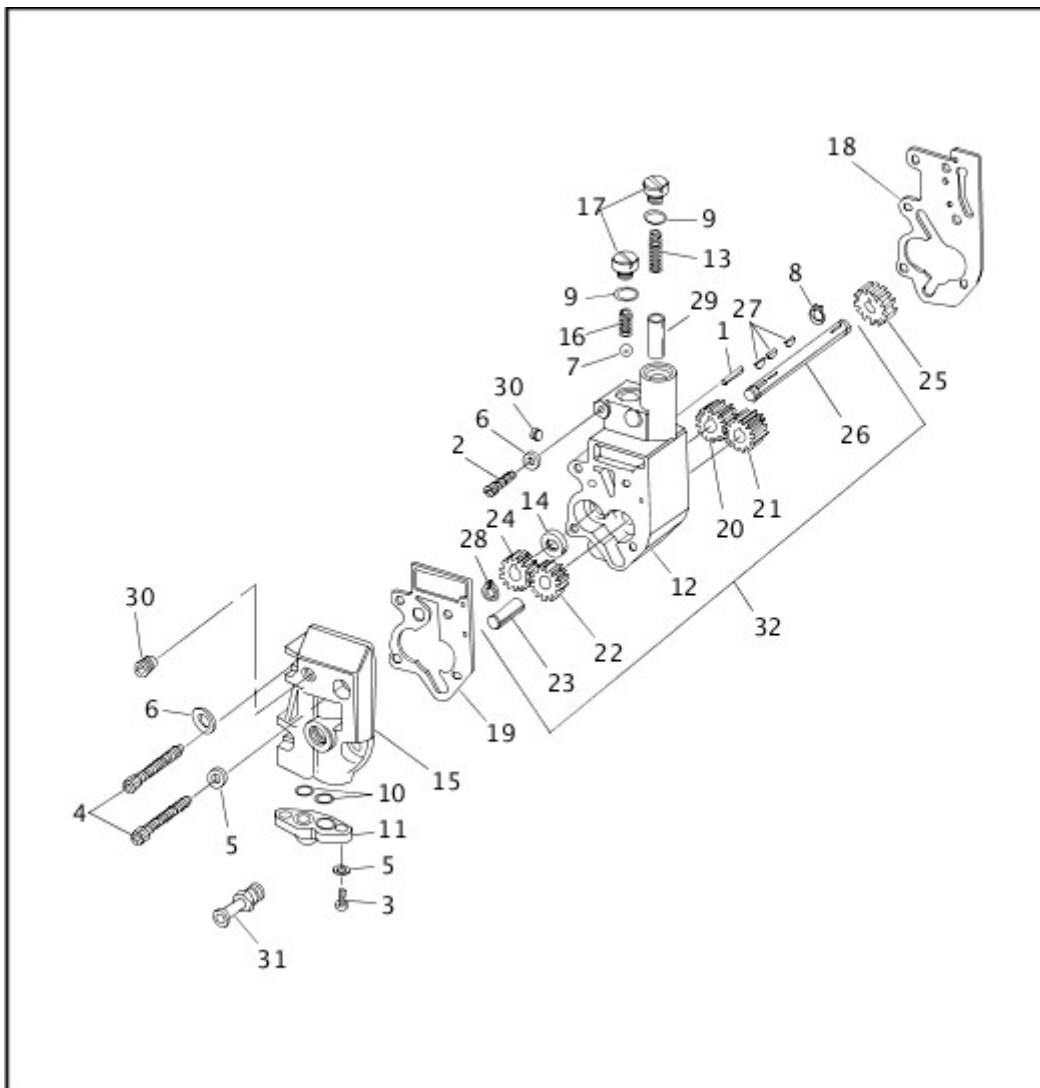
**CRANKCASE - GEAR SIDE**



View interactive table

INDEX NO.	PART NO.	DESCRIPTION	MODEL(S)
	26099-99	GEAR COVER (silver painted)	FXST

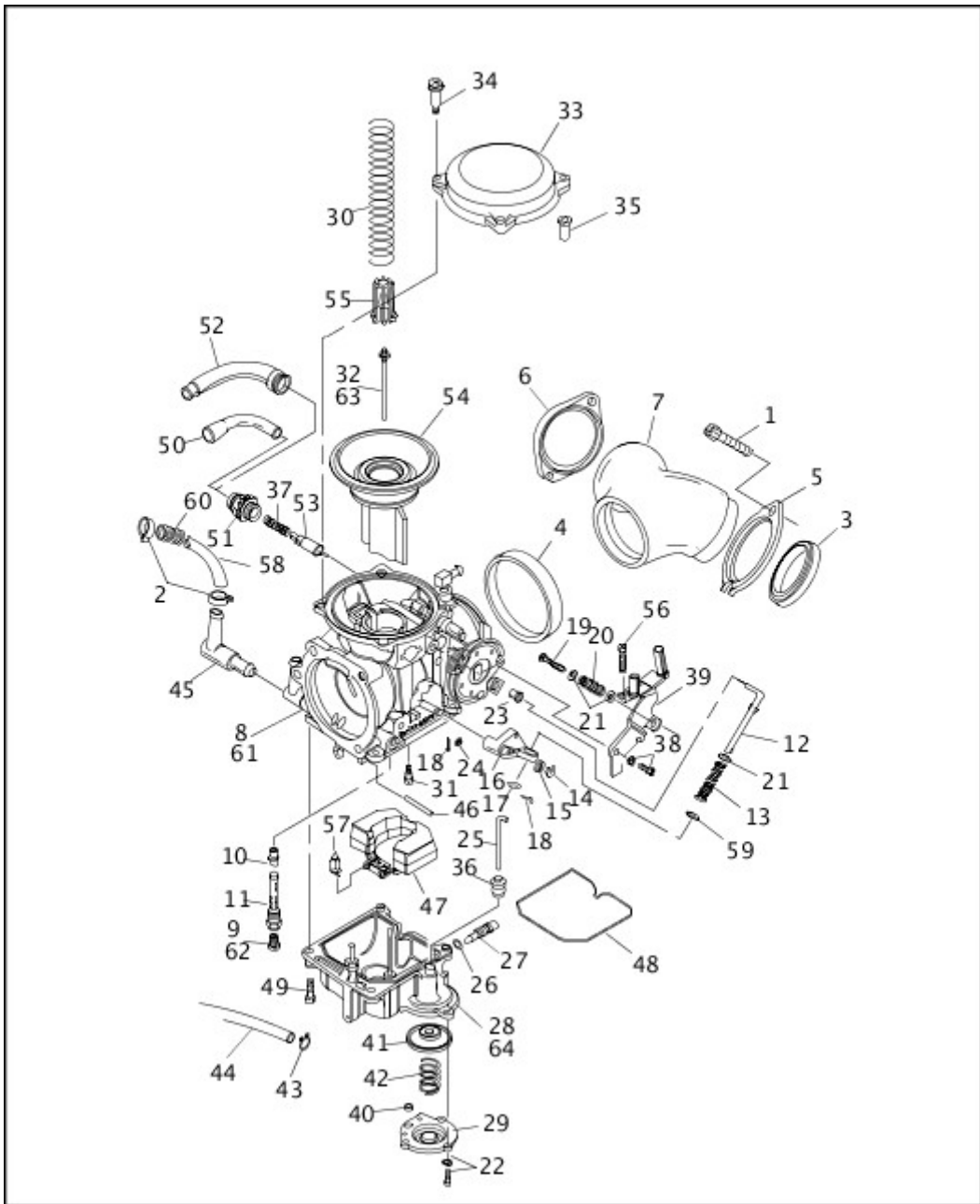
**OIL PUMP**



[View interactive table](#)

INDEX NO.	PART NO.	DESCRIPTION	MODEL(S)
18	26273-92A	GASKET, body (paper)	ALL
19	26276-92A	GASKET, cover (paper)	ALL
29	26400-82B	VALVE, oil pump	ALL
31	63533-41A	FITTING, straight	ALL

**[CARBURETOR \(1 OF 2\)](#)**

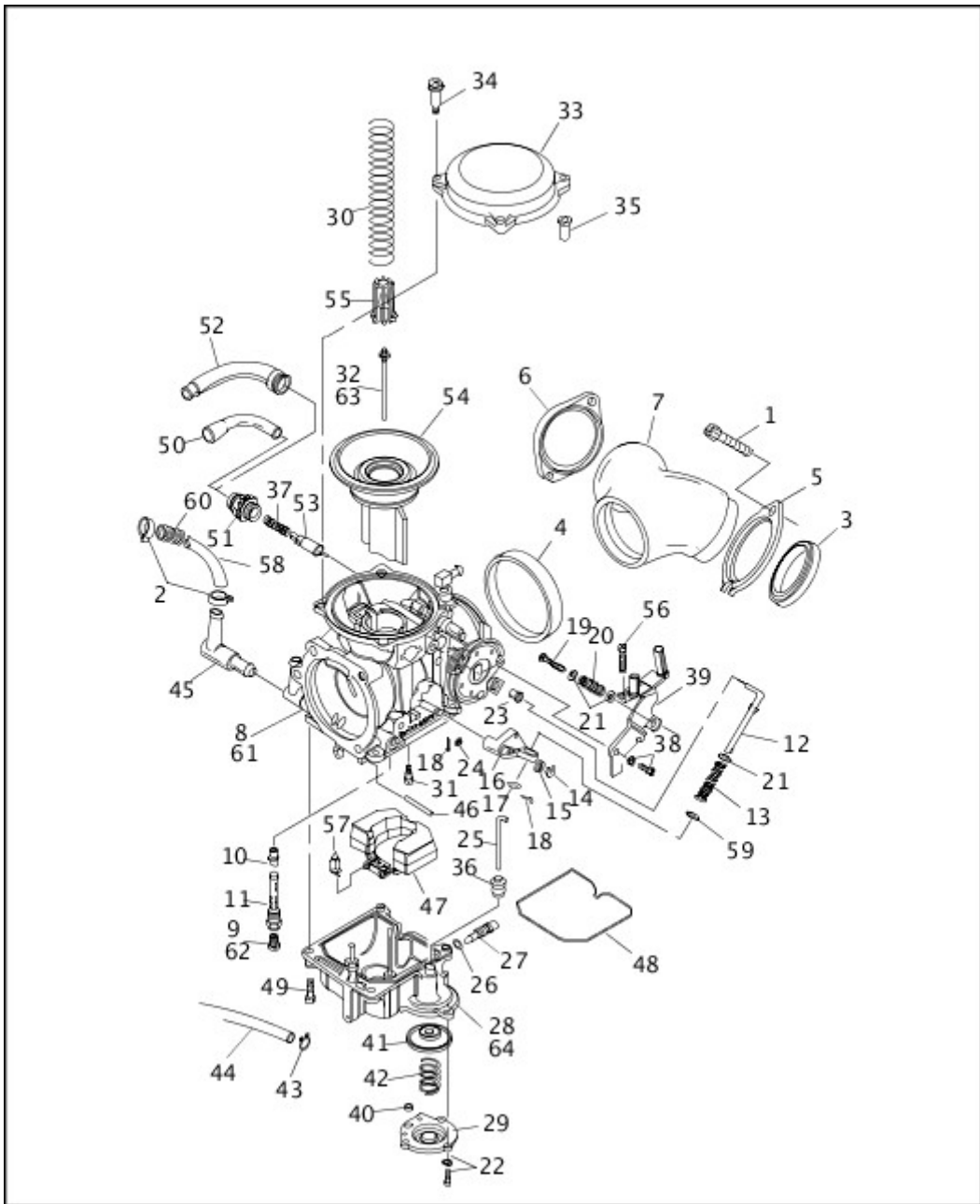


[View interactive table](#)

INDEX NO.	PART NO.	DESCRIPTION	MODEL(S)
3	26995-86B	SEAL, intake manifold (2)	ALL
7	27019-89A	MANIFOLD	ALL
8	27492-96B	CARBURETOR	ALL
20	27136-90A	SPRING	ALL

## [CARBURETOR \(2 OF 2\)](#)

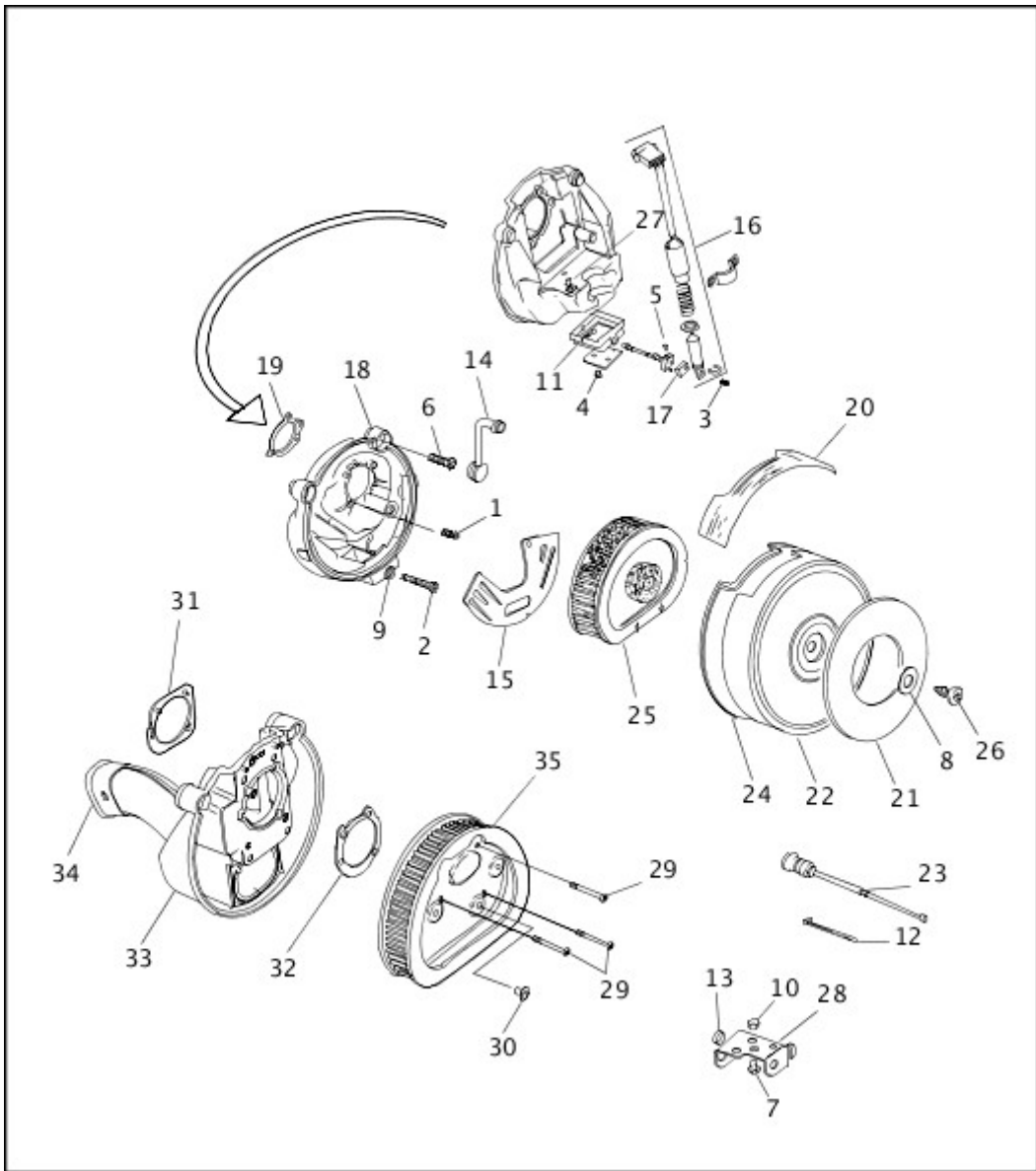




[View interactive table](#)

INDEX NO.	PART NO.	DESCRIPTION	MODEL(S)
41	27361-76A	DIAPHRAGM, accelerator pump	ALL
45	27371-76A	FITTING	ALL
61	27088-99	CARBURETOR (HDI) (HDI carburetor does not feature a drain screw)	ALL

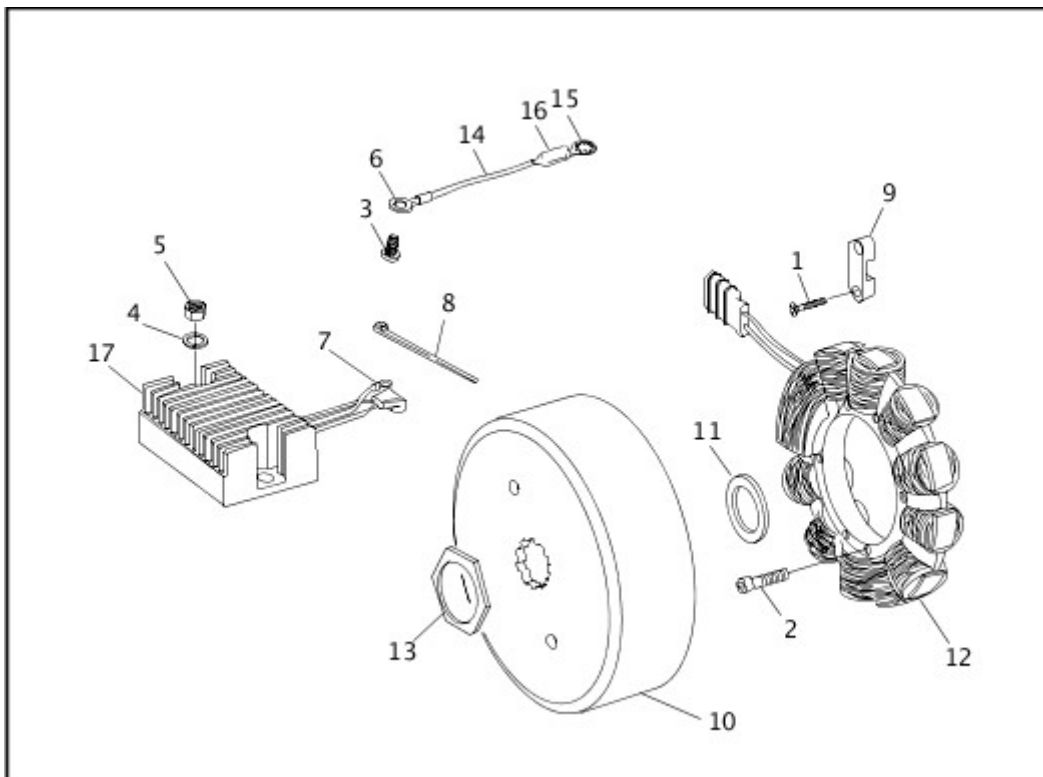
## [AIR CLEANER & ENRICHENER](#)



[View interactive table](#)

INDEX NO.	PART NO.	DESCRIPTION	MODEL(S)
16	28827-96A	SOLENOID ASSEMBLY (California)	ALL
	29449-98B	SAFETY LABEL (black)	FXSTB
21	29161-86	TRIM, "HERITAGE SOFTAIL"	FLSTC
	29548-98	COVER, air cleaner (black wrinkle)	FXSTB
23	29229-88D	CABLE, enrichment	ALL

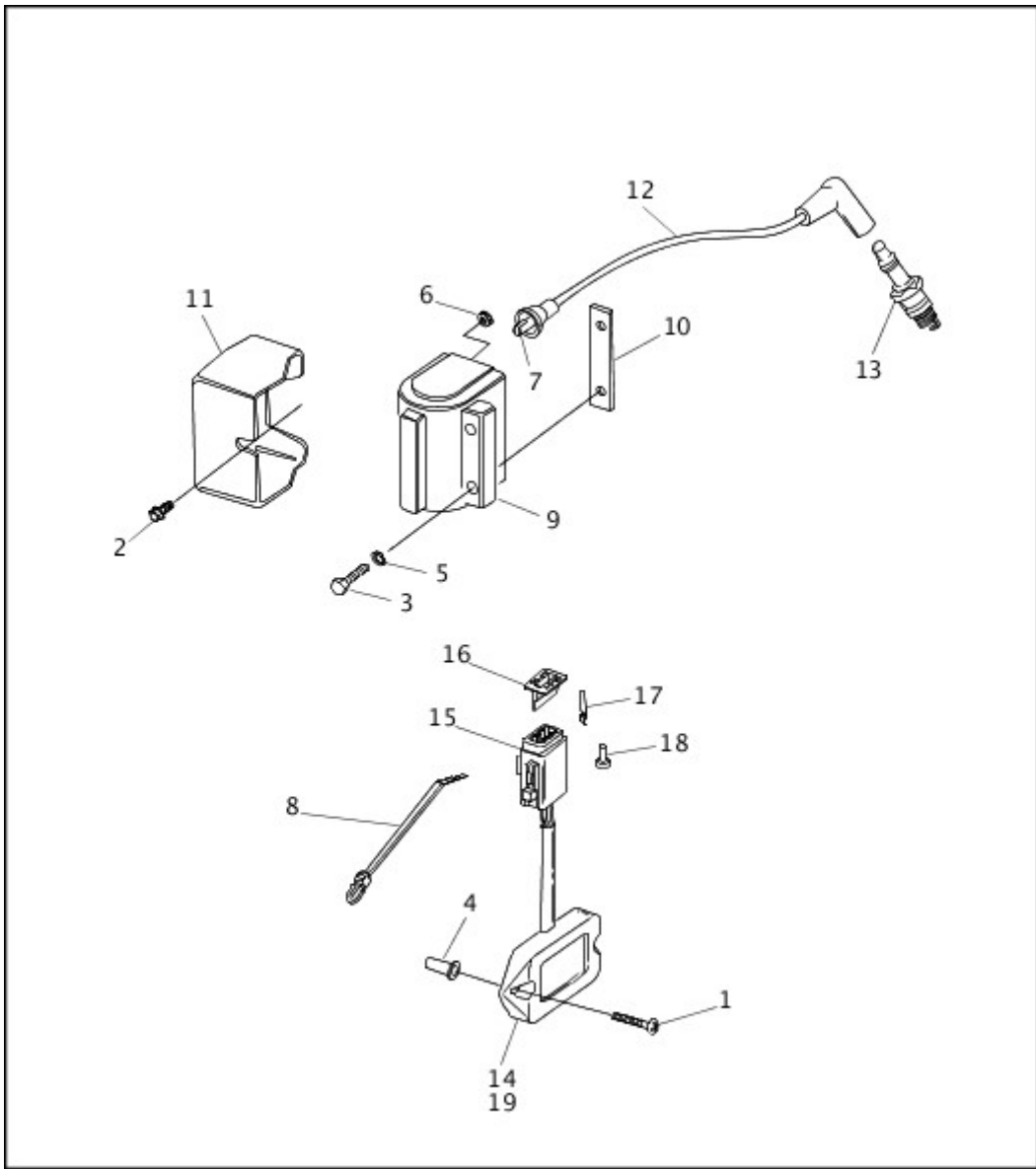
## **ALTERNATOR & REGULATOR**



[View interactive table](#)

INDEX NO.	PART NO.	DESCRIPTION	MODEL(S)
1	2273A	SCREW (2)	ALL
12	29970-88D	STATOR	ALL

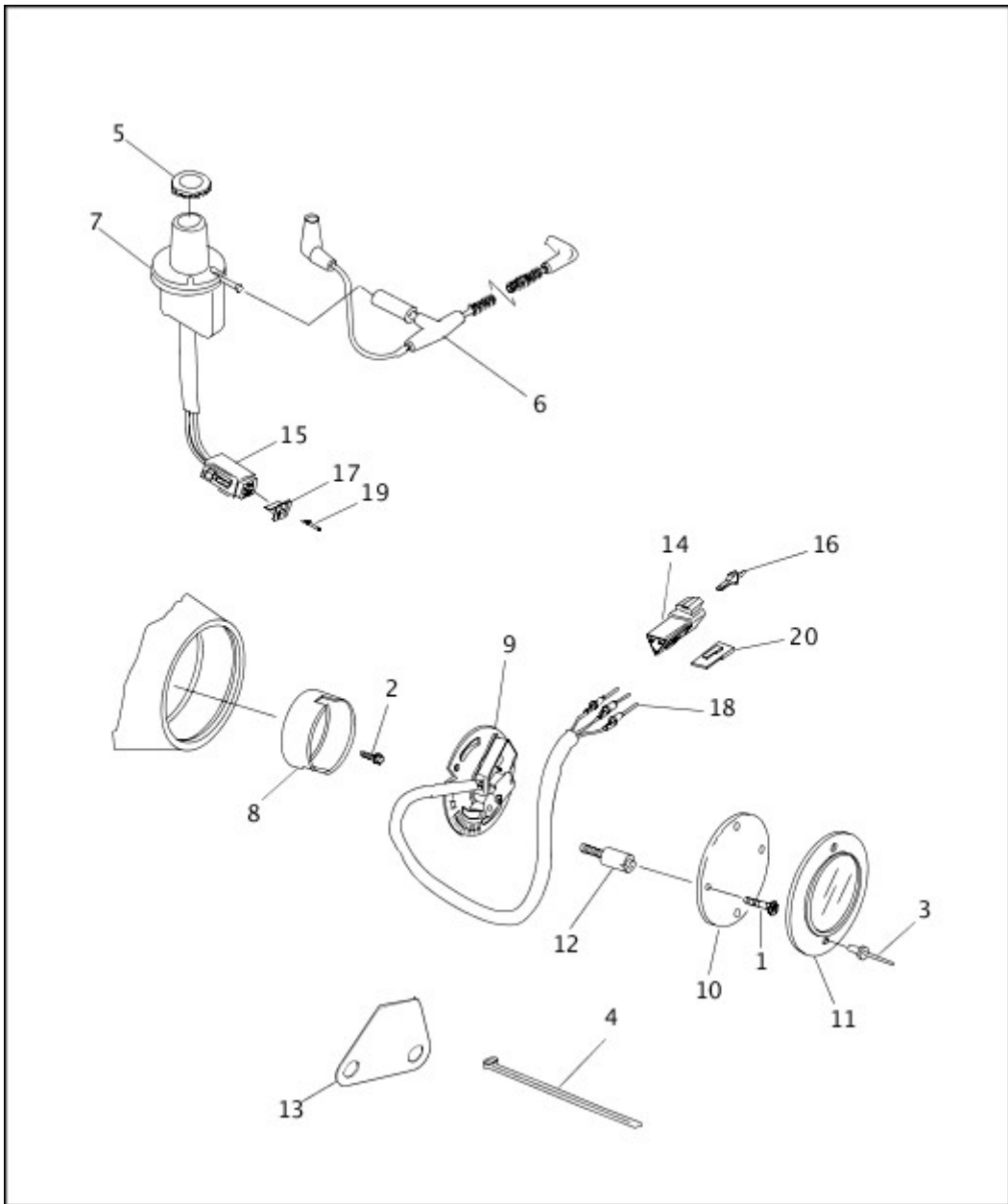
## [IGNITION MODULE & COIL](#)



[View interactive table](#)

INDEX NO.	PART NO.	DESCRIPTION	MODEL(S)
12	31983-71C	SPARK PLUG CABLE, rear cylinder	ALL
	31985-91A	SPARK PLUG CABLE, front cylinder	ALL
14	32449-95C	IGNITION MODULE, w/ connector assembly	ALL

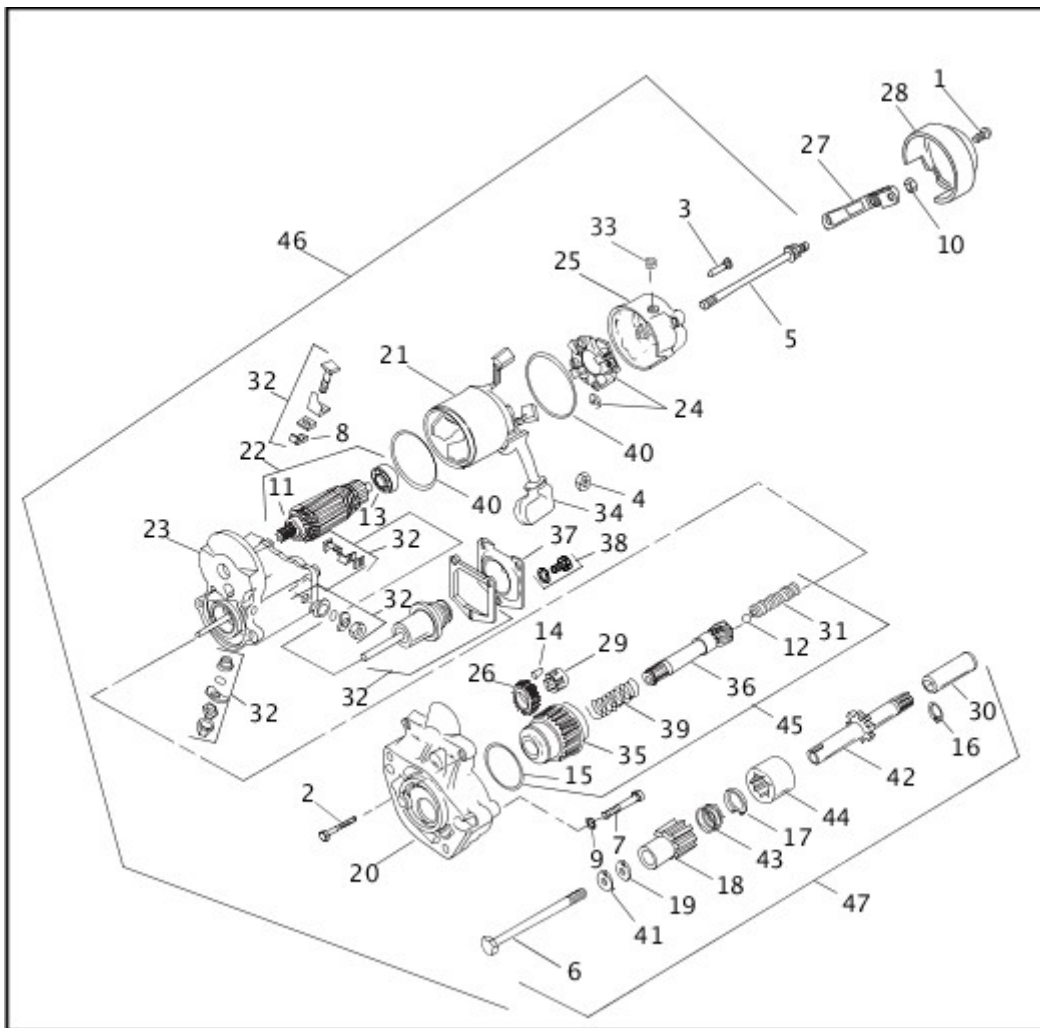
## [CAM POSITION SENSOR & VACUUM SWITCH](#)



[View interactive table](#)

INDEX NO.	PART NO.	DESCRIPTION	MODEL(S)
9	32448-95B	SENSOR ASSEMBLY, cam position/vehicle attitude	ALL
10	32504-80A	TIMER COVER, inner	ALL

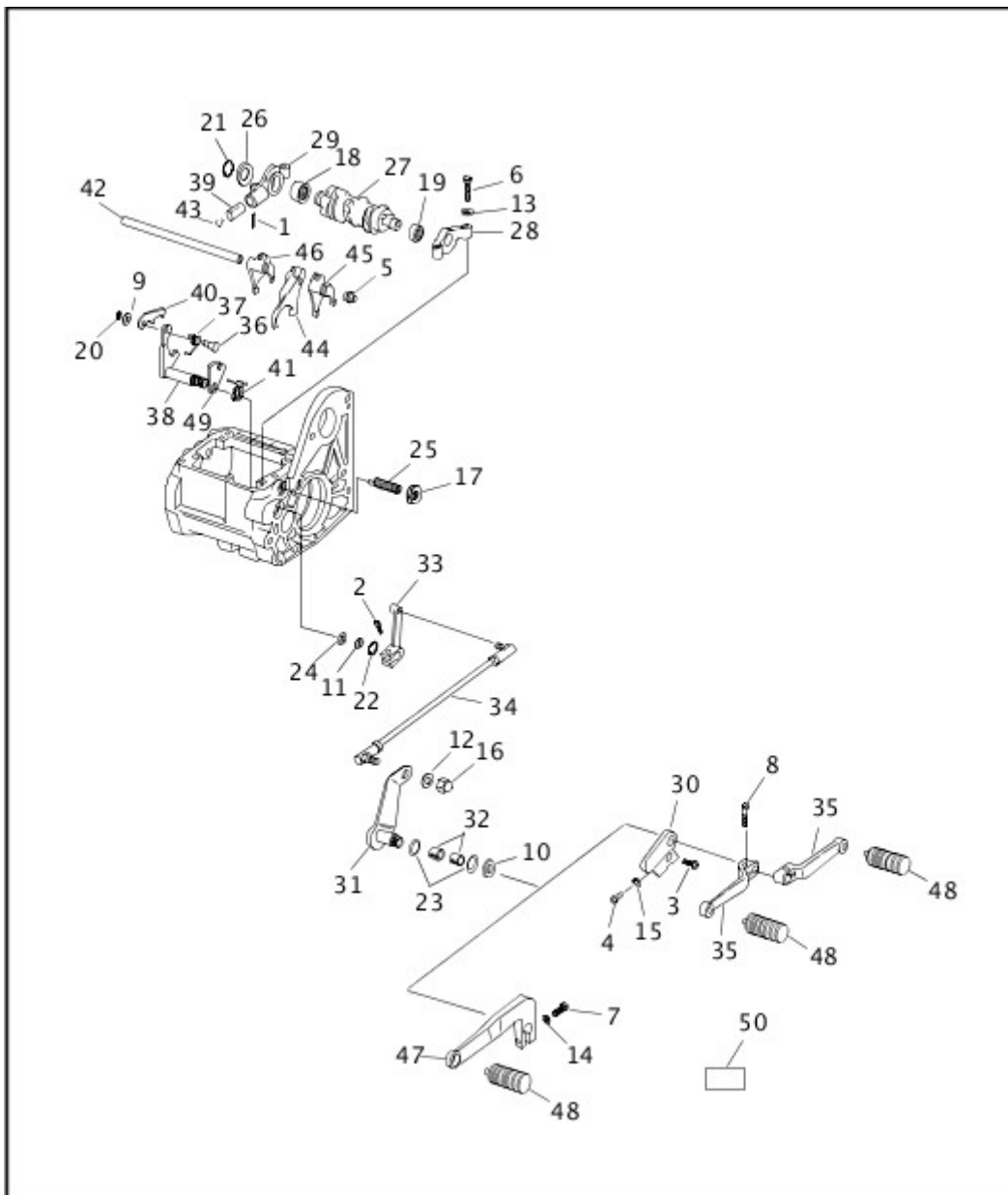
## **STARTER MOTOR**



View interactive table

INDEX NO.	PART NO.	DESCRIPTION	MODEL(S)
15	10957	O-RING (use 31516-94A)	ALL
32	31604-91A	STARTER SOLENOID REPAIR KIT	ALL
45	31516-94A	CLUTCH ASSEMBLY, starter w/ 8879, 10957, 31663-90, 31664-94 & 31692-90	ALL
46	31553-94B	STARTER, complete (black texture)	FLSTC, FLSTF, FLSTS, FXST, FXSTC, FXSTS
	31702-98	STARTER, complete (black wrinkle) (use 31553-94B)	FXSTB
47	31612-09	JACKSHAFT KIT, starter, w/ 6, 16, 17, 18, 19, 30, 41, 42, 43 & 44	ALL

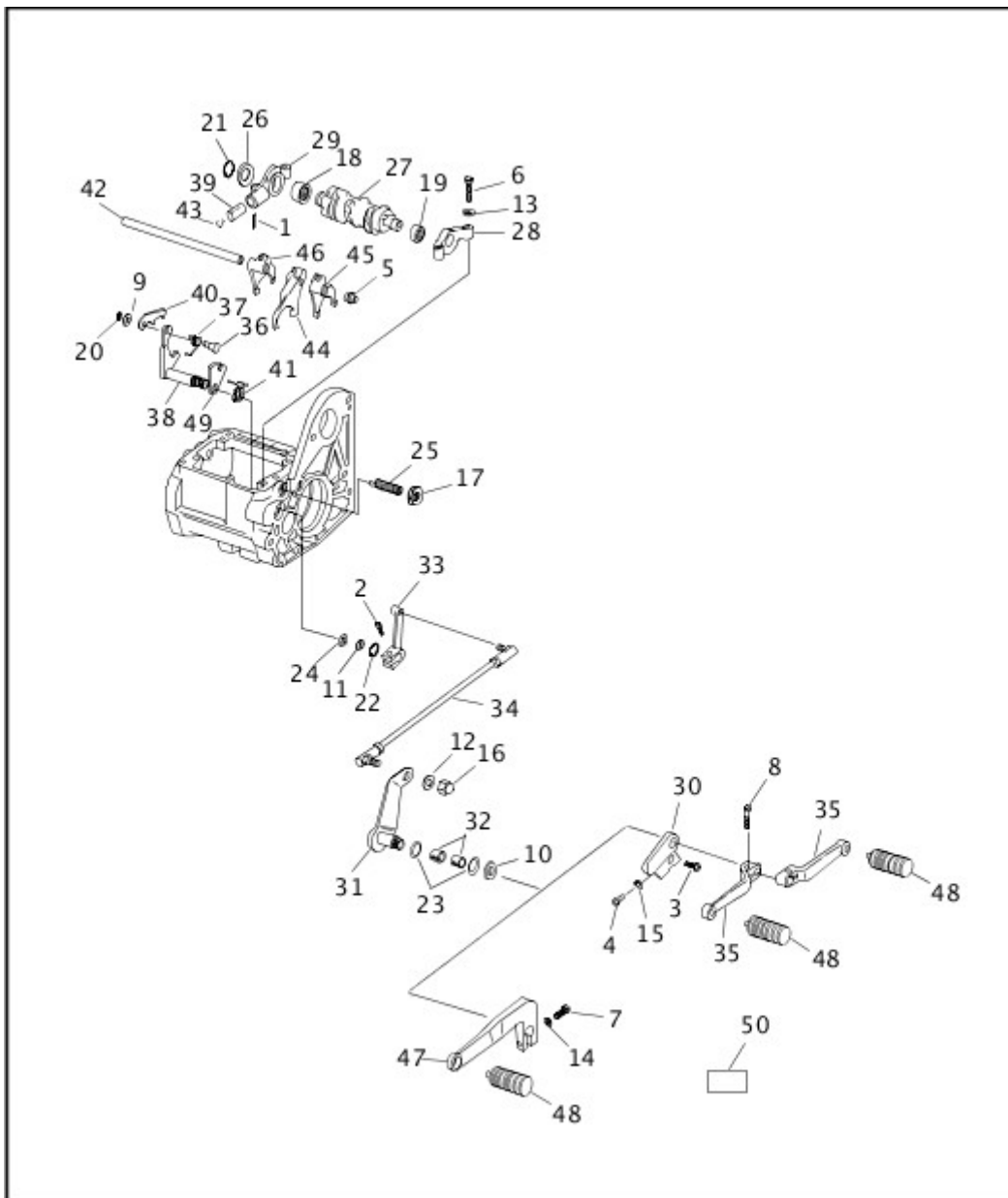
## [GEAR SHIFTER \(1 OF 2\)](#)



[View interactive table](#)

INDEX NO.	PART NO.	DESCRIPTION	MODEL(S)
3	3691	SCREW	FLSTC, FLSTF, FLSTS
8	4741A	SCREW (2)	FLSTC, FLSTF, FLSTS

**[GEAR SHIFTER \(2 OF 2\)](#)**

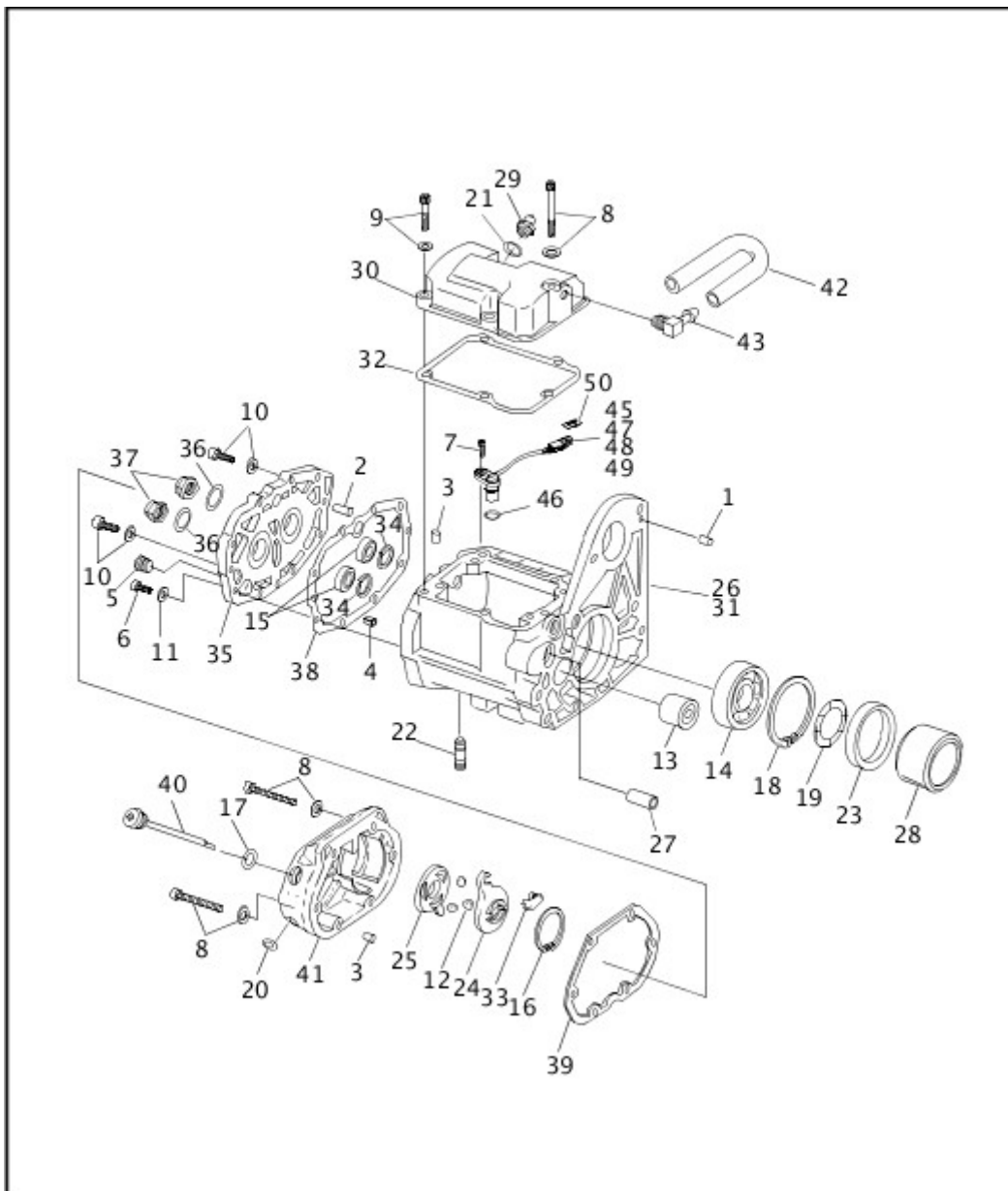


[View interactive table](#)

INDEX NO.	PART NO.	DESCRIPTION	MODEL(S)
	33668-90C	SHIFT LEVER (chrome)	FLSTC, FLSTF, FLSTS
34	33719-79B	SHIFTER ROD	FLSTC, FLSTF, FXST, FXSTB, FXSTC, FXSTS
35	33895-82D	SHIFT LEVER (chrome) (2)	FLSTC, FLSTF, FLSTS
42	34088-87A	SHAFT, shifter fork	ALL
47	34564-90B	SHIFT LEVER (chrome)	FXST, FXSTB, FXSTC, FXSTS
48	34611-65A	PEG, shift lever	FXST, FXSTB, FXSTC, FXSTS
48	34611-65A	PEG, shift lever (2)	FLSTC, FLSTF, FLSTS

## [TRANSMISSION HOUSING \(1 OF 2\)](#)



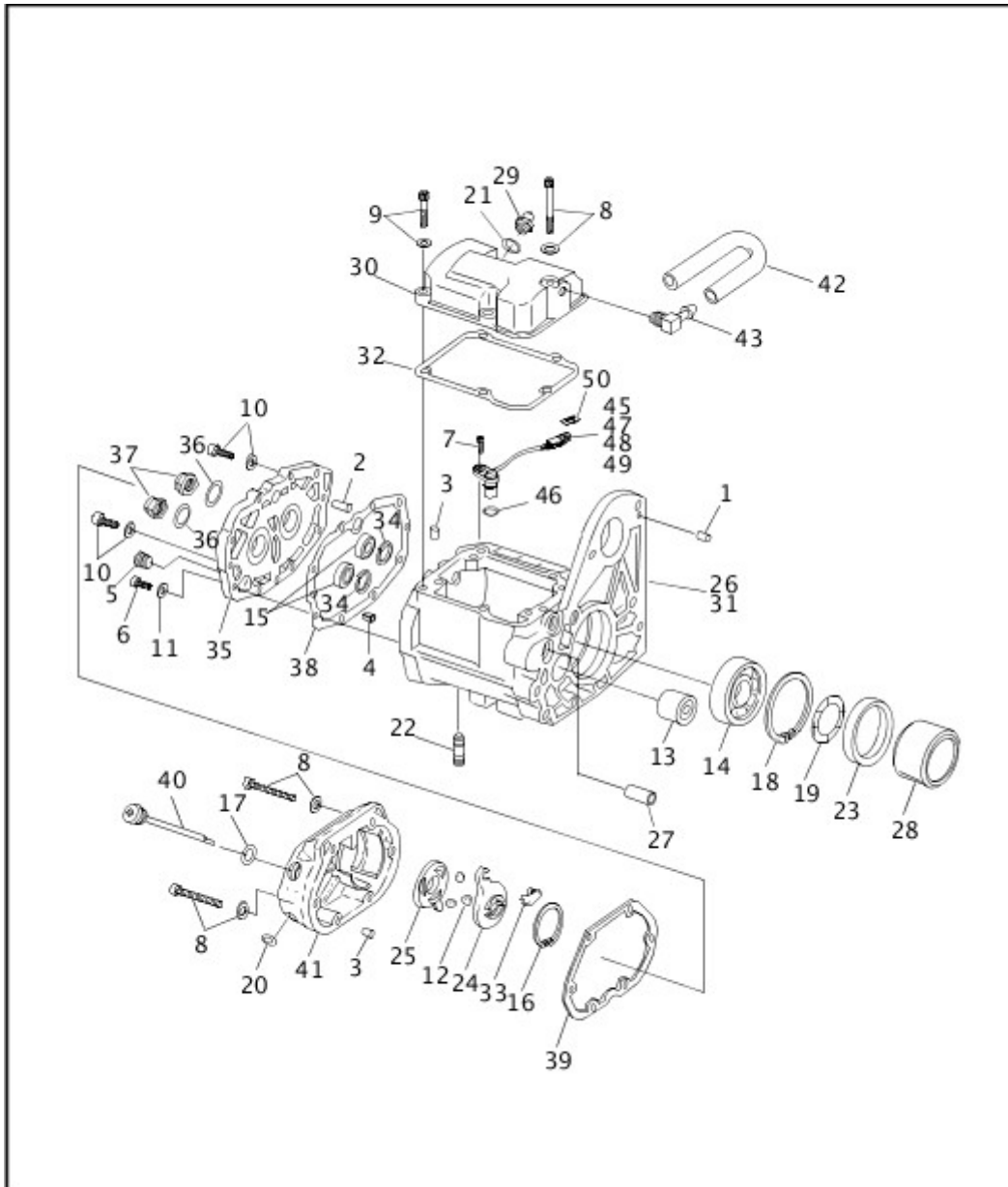


[View interactive table](#)

INDEX NO.	PART NO.	DESCRIPTION	MODEL(S)
15	8992A	BALL BEARING (2)	ALL
17	11132A	O-RING, filler plug	ALL
22	11733A	STUD (5)	ALL
23	12067B	OIL SEAL, mainshaft, left side	ALL
26	33005-99	TRANSMISSION ASSEMBLY (silver painted)	FXST
	33006-99	TRANSMISSION ASSEMBLY (chrome & black)	FLSTC, FLSTF, FXSTC, FXSTS
	33007-99	TRANSMISSION ASSEMBLY (chrome & black)	FLSTS
	33051-99	TRANSMISSION ASSEMBLY (black wrinkle)	FXSTB
29	33902-98A	SWITCH, neutral indicator, w/ O-ring	ALL

INDEX NO.	PART NO.	DESCRIPTION	MODEL(S)
30	34468-98A	COVER, upper (chrome)	FLSTC, FLSTF, FLSTS, FXSTC, FXSTS
	34777-99	COVER, upper (silver painted)	FXST

## TRANSMISSION HOUSING (2 OF 2)

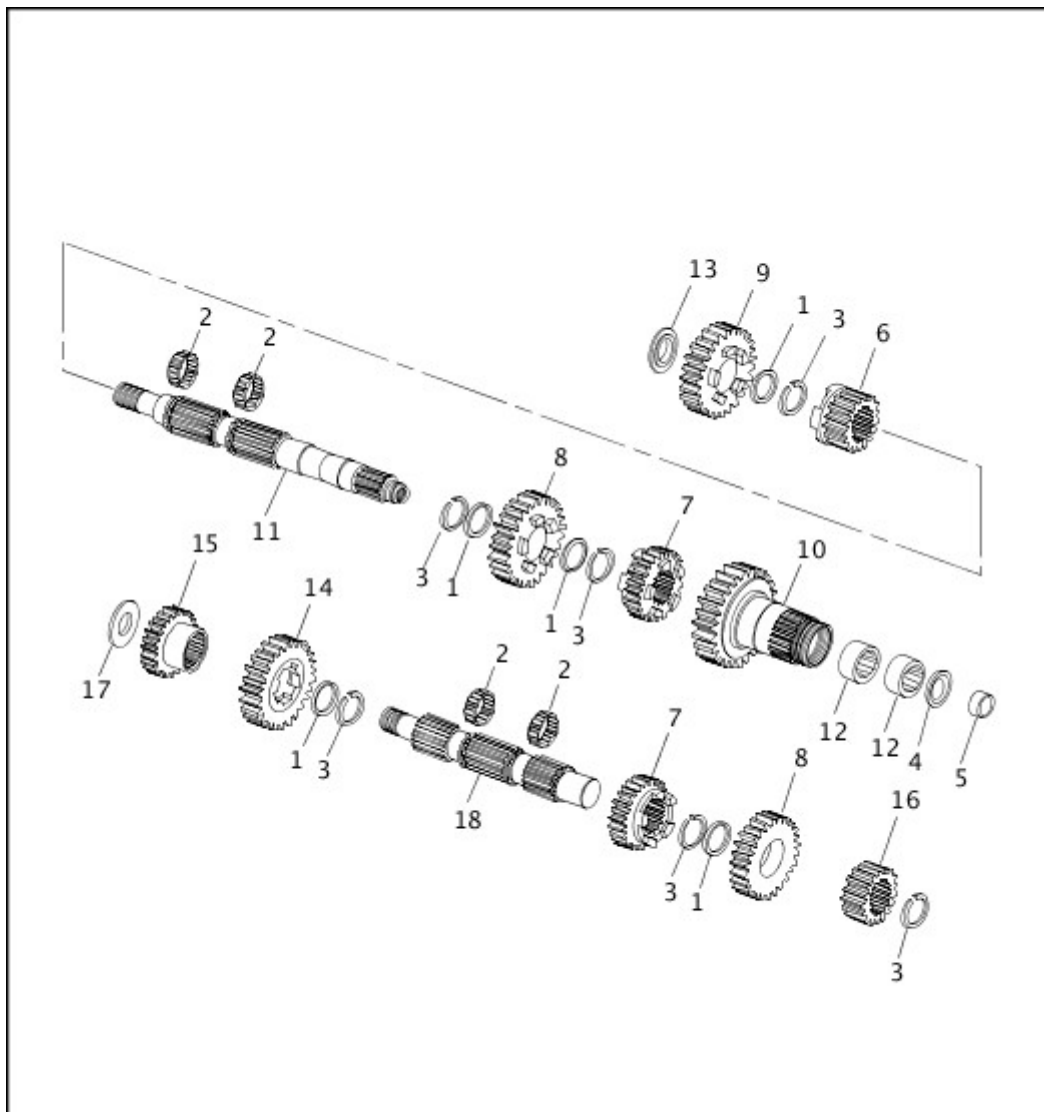


View interactive table

INDEX NO.	PART NO.	DESCRIPTION	MODEL(S)
	34774-99	HOUSING (silver painted)	FXST
32	34904-86D	GASKET, upper cover	ALL
33	34920-86A	COUPLING	ALL
34	35087-99A	RETAINING RING, bearing (2)	ALL

INDEX NO.	PART NO.	DESCRIPTION	MODEL(S)
	35266-99	BEARING HOUSING ASSEMBLY, w/ 3, 15 & 34 (silver)	FXST
39	36801-87C	GASKET, right side cover	ALL
	37232-99	CLUTCH RELEASE COVER (silver painted)	FXST
43	62375-57A	FITTING, upper cover	ALL
45	74437-96B	SENSOR, speedometer, w/ 46-50	ALL

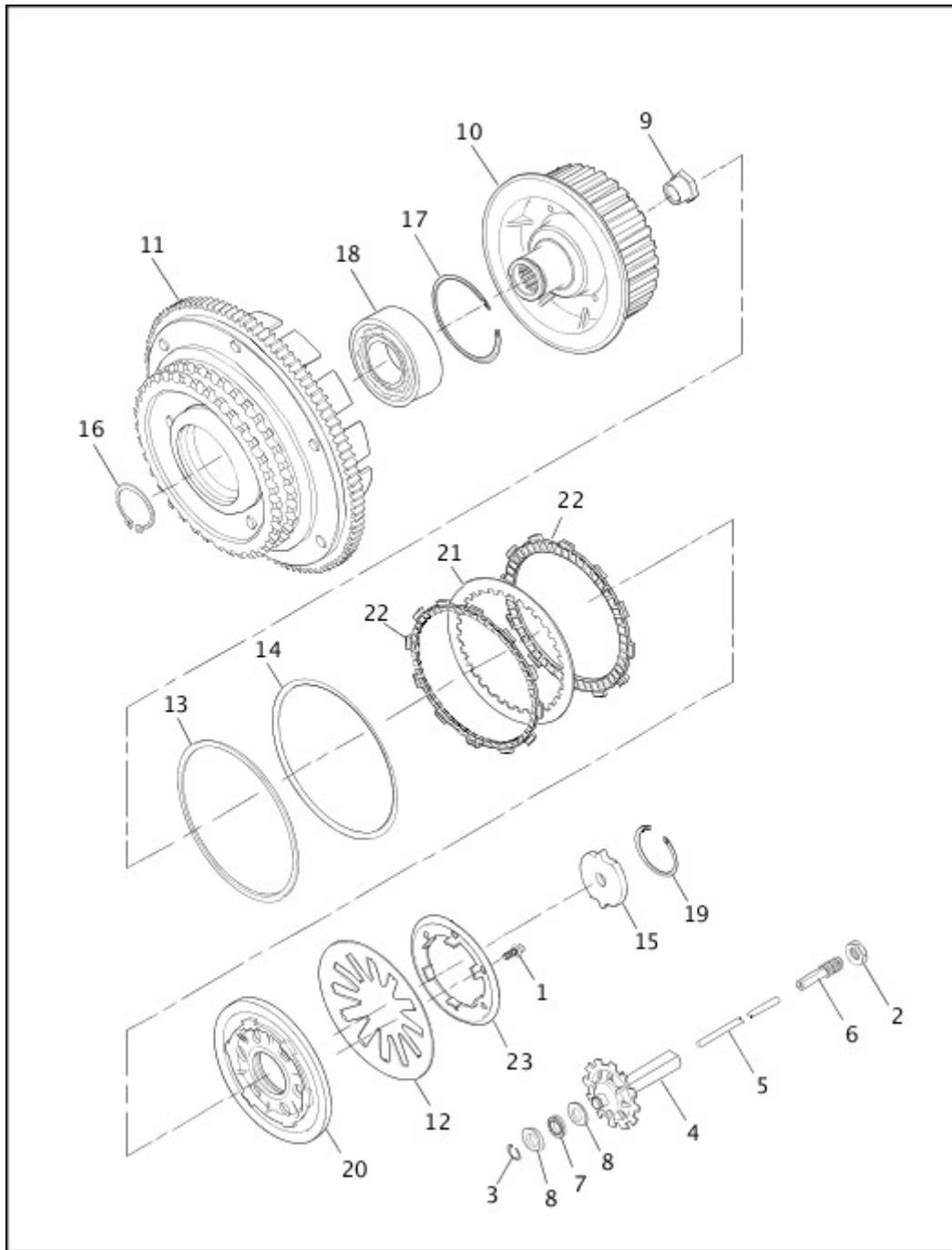
## TRANSMISSION GEARS



[View interactive table](#)

INDEX NO.	PART NO.	DESCRIPTION	MODEL(S)
5	34091-85A	BEARING, inner race	ALL
12	35051-89A	NEEDLE BEARING (2)	ALL

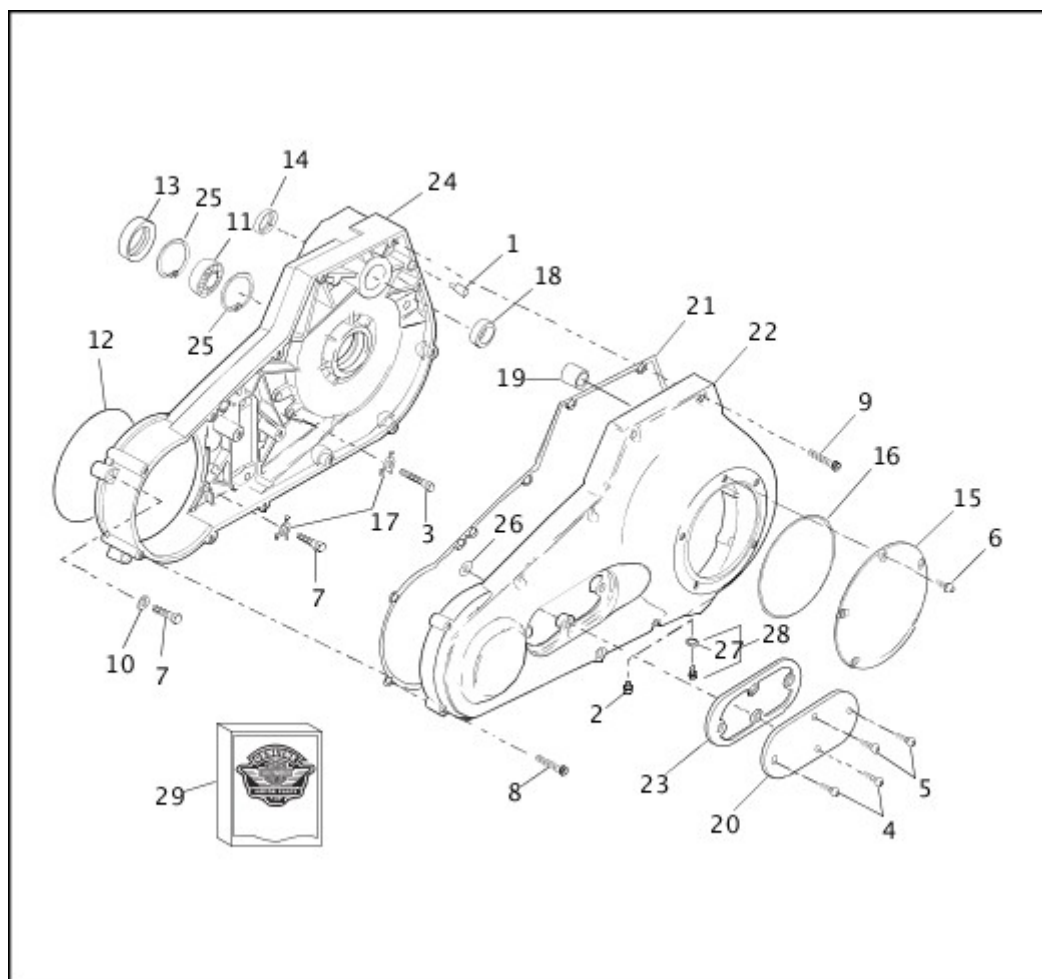
# CLUTCH



[View interactive table](#)

INDEX NO.	PART NO.	DESCRIPTION	MODEL(S)
4	37069-90A	OIL SLINGER ASSEMBLY	ALL
9	37496-90A	NUT, mainshaft	ALL
17	37905-00	RETAINING RING, internal	ALL
20	37912-00	PRESSURE PLATE, clutch	ALL
23	37872-00	SEAT, clutch spring	ALL

## PRIMARY HOUSING

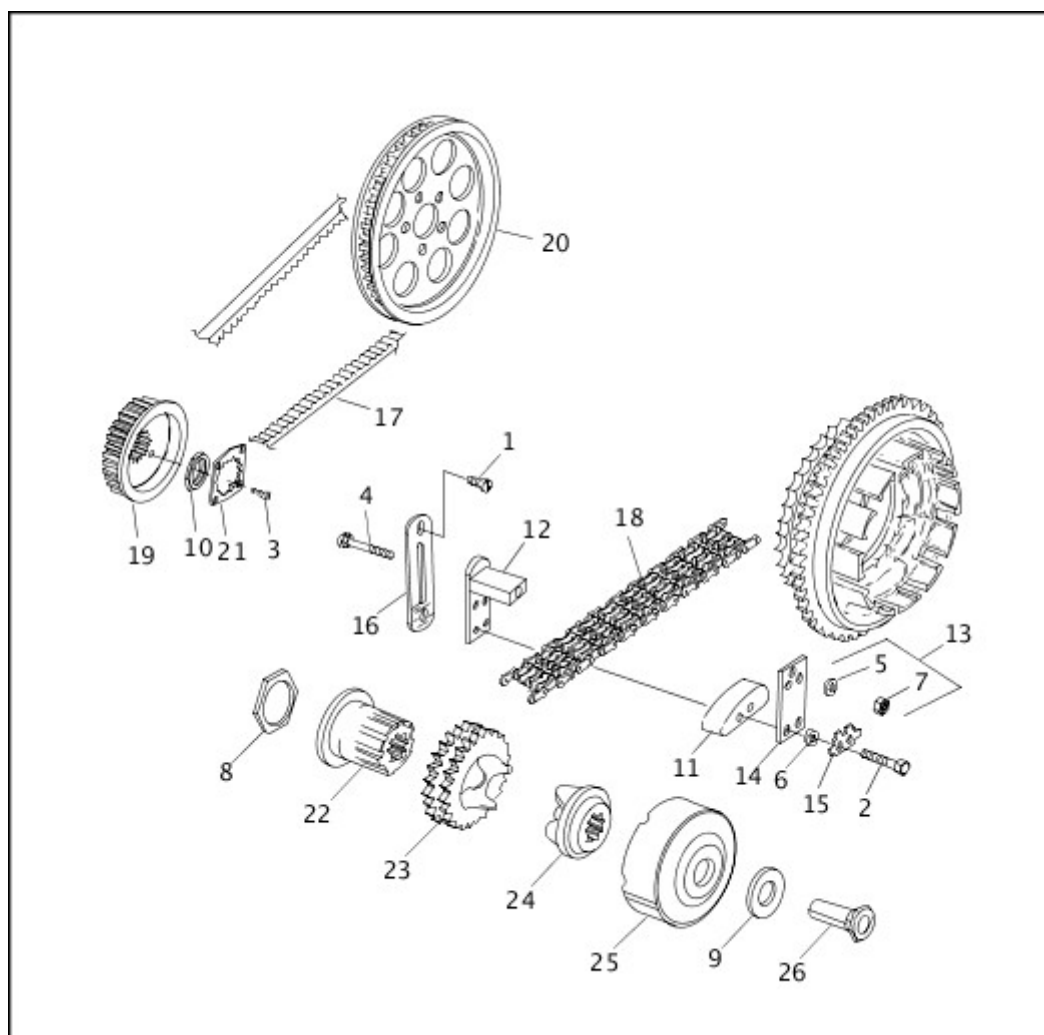


View interactive table

INDEX NO.	PART NO.	DESCRIPTION	MODEL(S)
12	11147B	O-RING, housing cover	ALL
13	12052A	OIL SEAL	ALL
14	12066A	OIL SEAL	ALL
16	25416-99C	SEAL, clutch cover	ALL
	60543-99B	COVER ASSEMBLY, primary, w/ 33446-94A & 60391-04 (replaces 60543-99) (chrome)	FLSTC, FLSTF, FLSTS, FXSTC, FXSTS
	60721-99B	COVER ASSEMBLY, primary, w/ 33446-94A & 60391-04 (replaces 60721-99) (silver)	FXST
	60715-99B	COVER ASSEMBLY, primary, w/ 33446-94A & 60391-04 (replaces 60715-99) (black wrinkle)	FXSTB
23	60567-90C	GASKET, inspection cover	ALL

INDEX NO.	PART NO.	DESCRIPTION	MODEL(S)
26	63859-95B	GASKET (2)	ALL
27	11324	O-RING (used w/ 60391-04)	ALL
28	60391-04	PLUG ASSEMBLY, drain, magnetic, w/ 11324 (used w/ 60543-99B, 60721-99B & 60715-99B)	ALL
29	25700225	GASKET KIT, inner primary	ALL

## [BELTS, CHAINS & SPROCKETS](#)

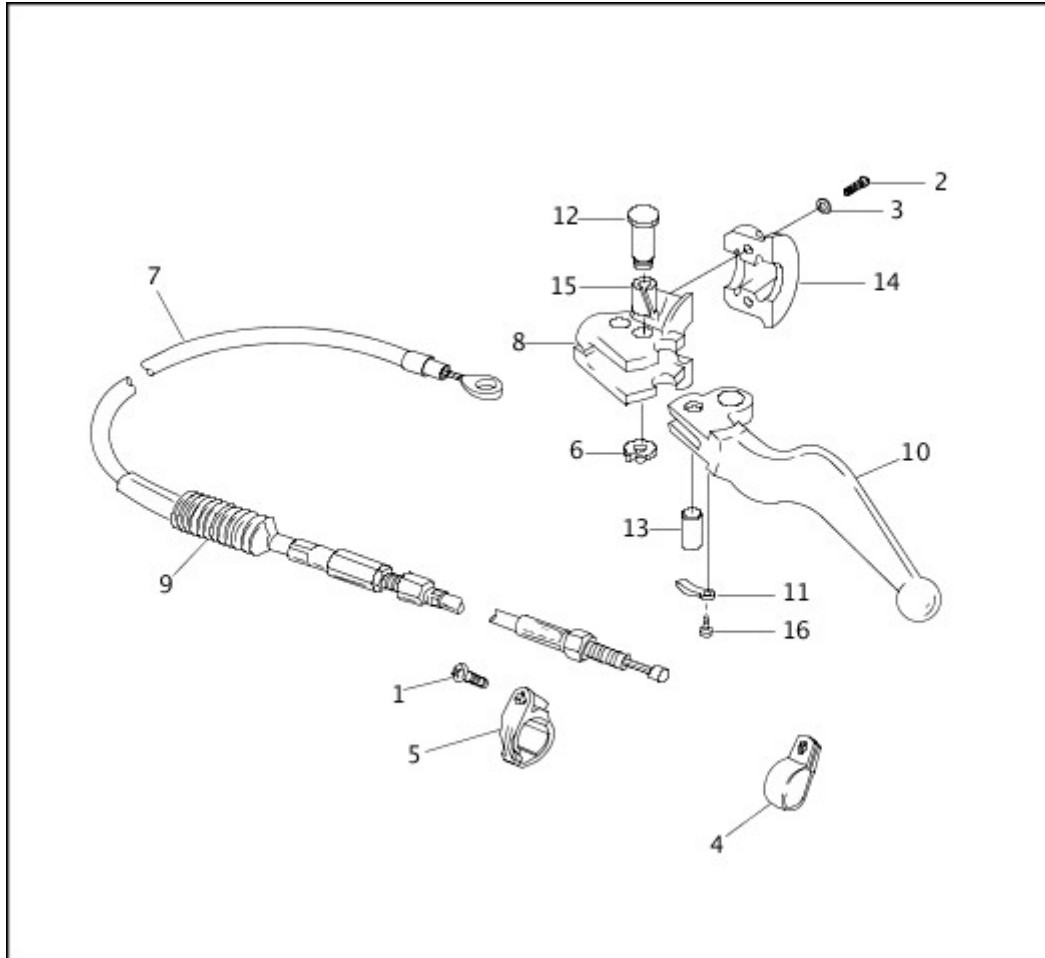


[View interactive table](#)

INDEX NO.	PART NO.	DESCRIPTION	MODEL(S)
1	1783C	SCREW (2)	ALL
9	29960-91A	SPACER	ALL
10	35211-91B	NUT, sprocket	ALL

INDEX NO.	PART NO.	DESCRIPTION	MODEL(S)
16	39998-65A	ANCHOR PLATE, chain tensioner	ALL
19	40250-94C	SPROCKET, transmission, 32 T	ALL

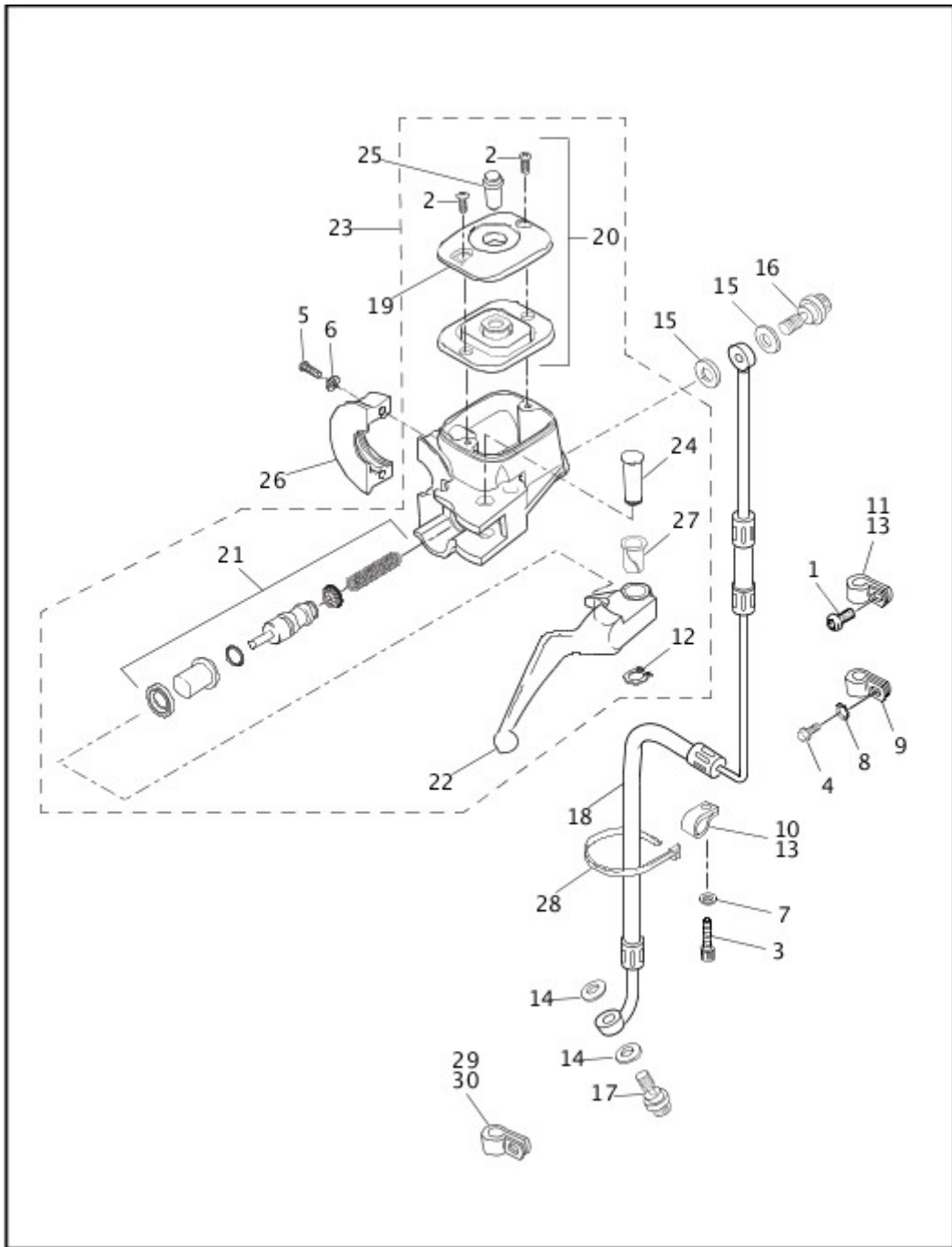
## CLUTCH CONTROL



[View interactive table](#)

INDEX NO.	PART NO.	DESCRIPTION	MODEL(S)
10	45015-96	HAND LEVER, clutch, w/ 45021-86, 45423-92 & 90770-79	ALL
14	45044-96A	CLAMP, lever bracket	ALL

## FRONT BRAKE CONTROL



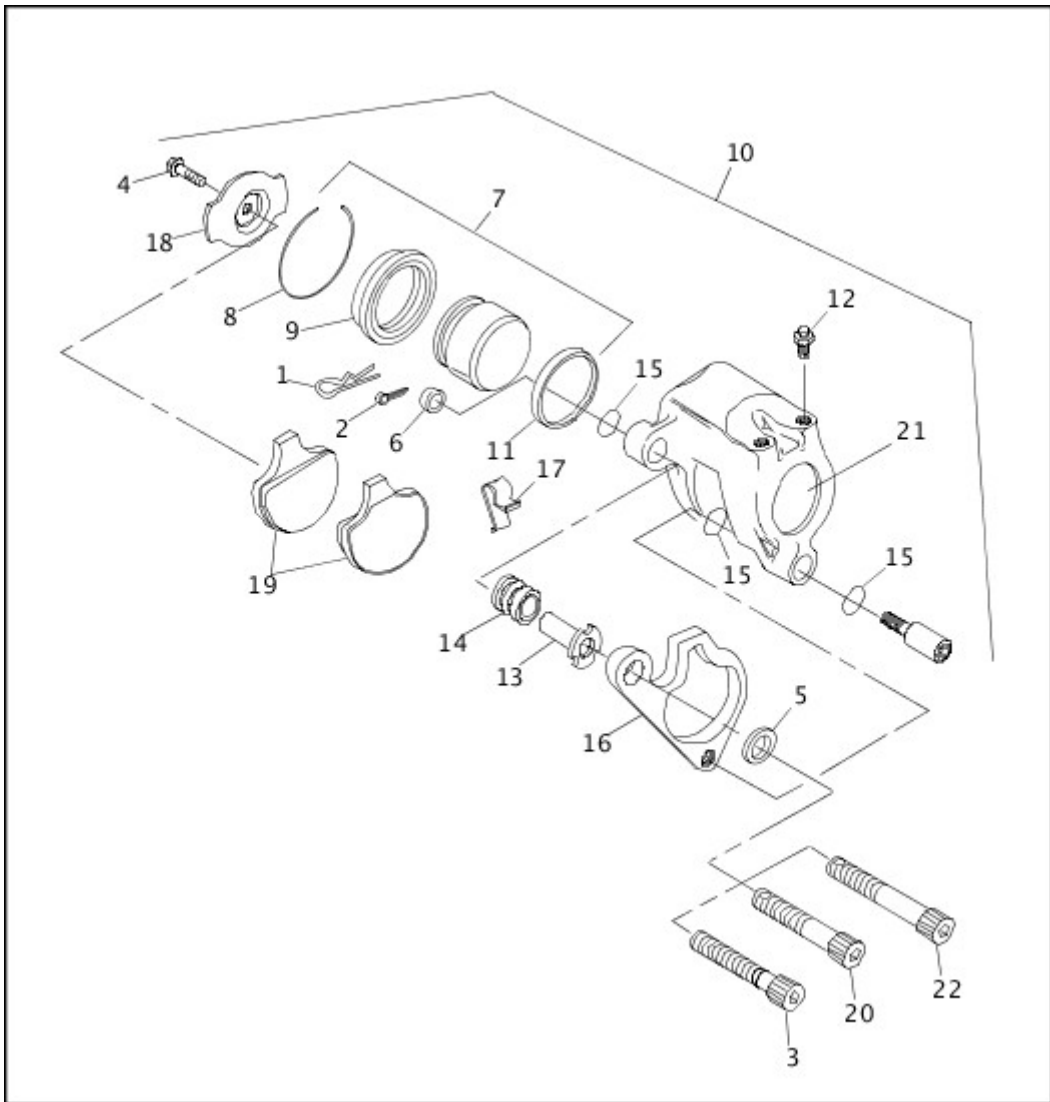
[View interactive table](#)

INDEX NO.	PART NO.	DESCRIPTION	MODEL(S)
3	3594	SCREW	FLSTC, FLSTF, FXST, FXSTB, FXSTC, FXSTS
	45209-97B	BRAKE LINE, front, w/ 10065, 10209, 41731-88A, 41733-88 & 68562-84	FLSTS
	45112-96A	BRAKE LINE, front	FXSTC
	45199-99B	BRAKE LINE, front	FXST



INDEX NO.	PART NO.	DESCRIPTION	MODEL(S)
	45250-98B	BRAKE LINE, front	FXSTB
19	45004-96A	COVER, reservoir	ALL
20	45030-03C	COVER KIT, reservoir, w/ 2579A	ALL
21	45006-96C	REPAIR KIT, master cylinder (9/16 inch bore)	ALL
23	45019-96D	MASTER CYLINDER, front, w/ 11143, 45016-96, 45030-03C & 45032-82 (9/16 inch bore)	ALL
26	45044-96A	CLAMP, handlebar control	ALL
28	10065	CABLE STRAP	ALL
29	68562-84	CLAMP	ALL
30	10209	CLAMP (used w/ 45209-97B)	FLSTS

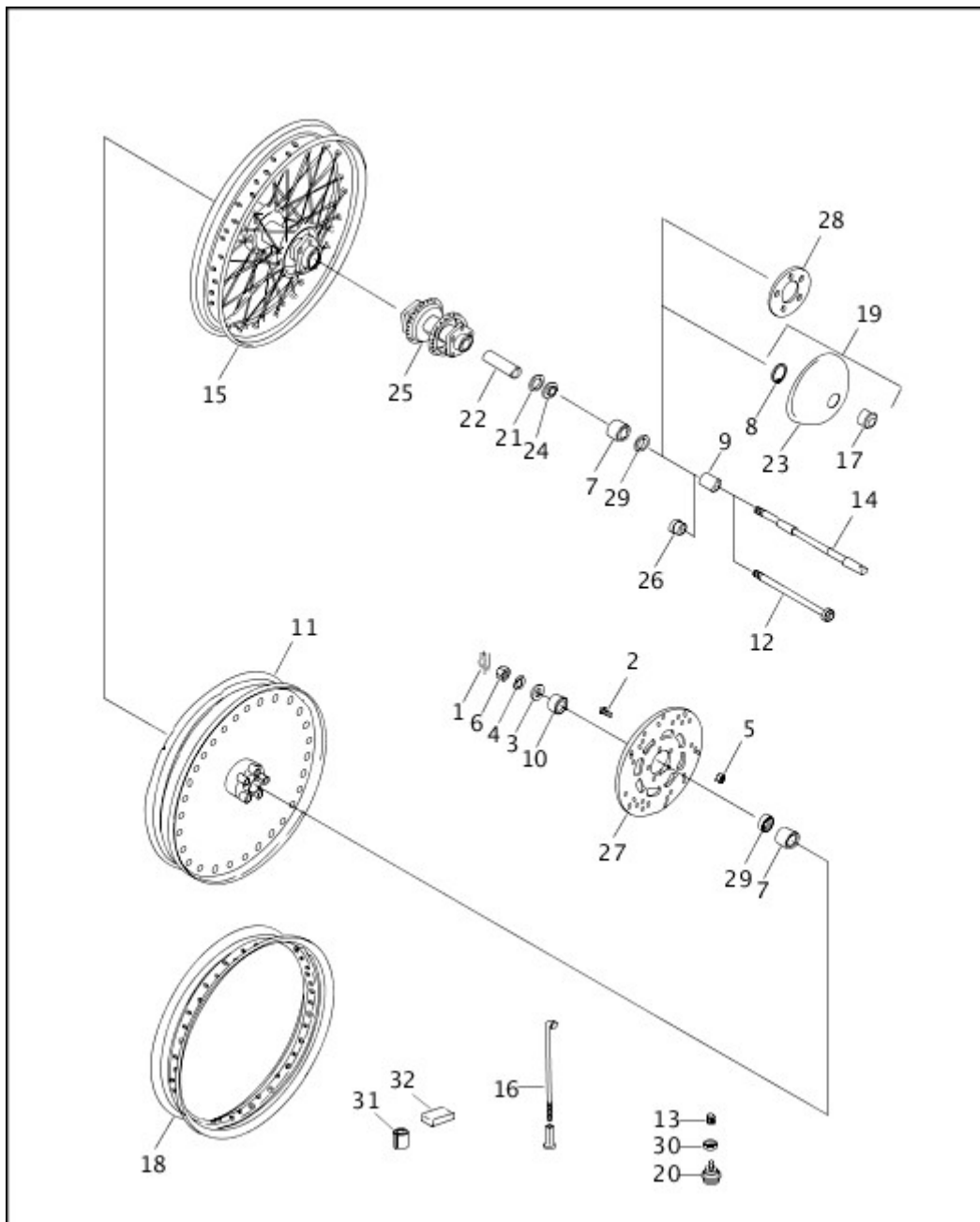
## **FRONT BRAKE CALIPER**



[View interactive table](#)

INDEX NO.	PART NO.	DESCRIPTION	MODEL(S)
	44077-88F	CALIPER ASSEMBLY, front brake, right	FXSTS
	44079-97C	CALIPER ASSEMBLY, front brake, left	FLSTS

## [FRONT WHEEL \(1 OF 2\)](#)

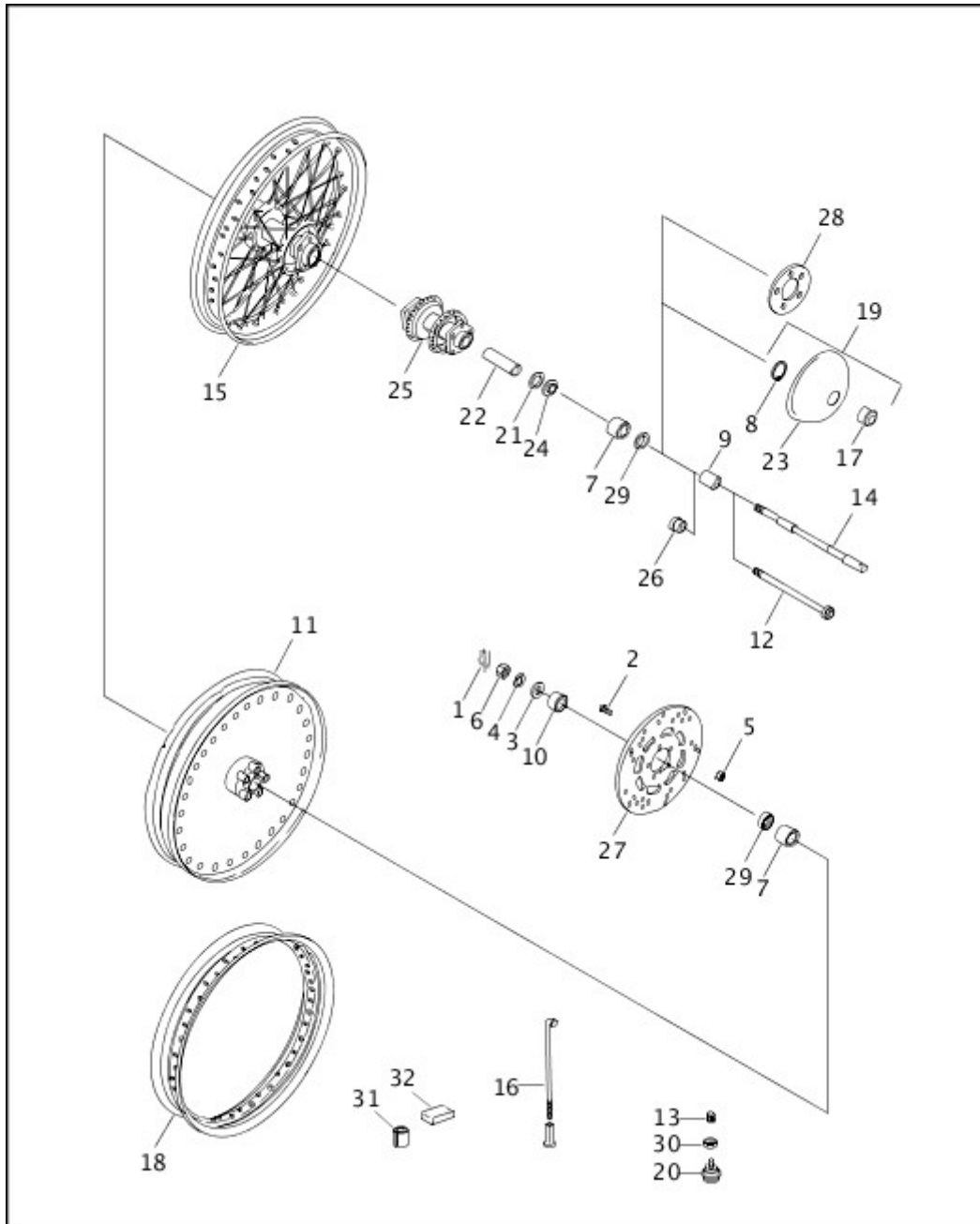


[View interactive table](#)

INDEX NO.	PART NO.	DESCRIPTION	MODEL(S)
11	41038-92A	DISC WHEEL ASSEMBLY, 16 inch	FLSTF
12	41109-88A	AXLE, front	FXSTS
15	43005-86C	WHEEL ASSEMBLY, front, 16 inch laced	FLSTC
	43016-97B	WHEEL ASSEMBLY, front, 16 inch laced	FLSTS
	43671-84C	WHEEL ASSEMBLY, front, 21 inch laced (w/ chrome plated hub)	FXSTB, FXSTC
	43676-88C	WHEEL ASSEMBLY, front, 21 inch laced (w/ chrome plated hub)	FXSTS
	43700-99A	WHEEL ASSEMBLY, front, 21 inch laced (w/ polished hub)	FXST
16	43241-05	SPOKE & NIPPLE SET, 16 inch (40)	FLSTC, FLSTS

INDEX NO.	PART NO.	DESCRIPTION	MODEL(S)
	43239-05	SPOKE & NIPPLE SET, 21 inch (40)	FXST, FXSTB, FXSTC, FXSTS

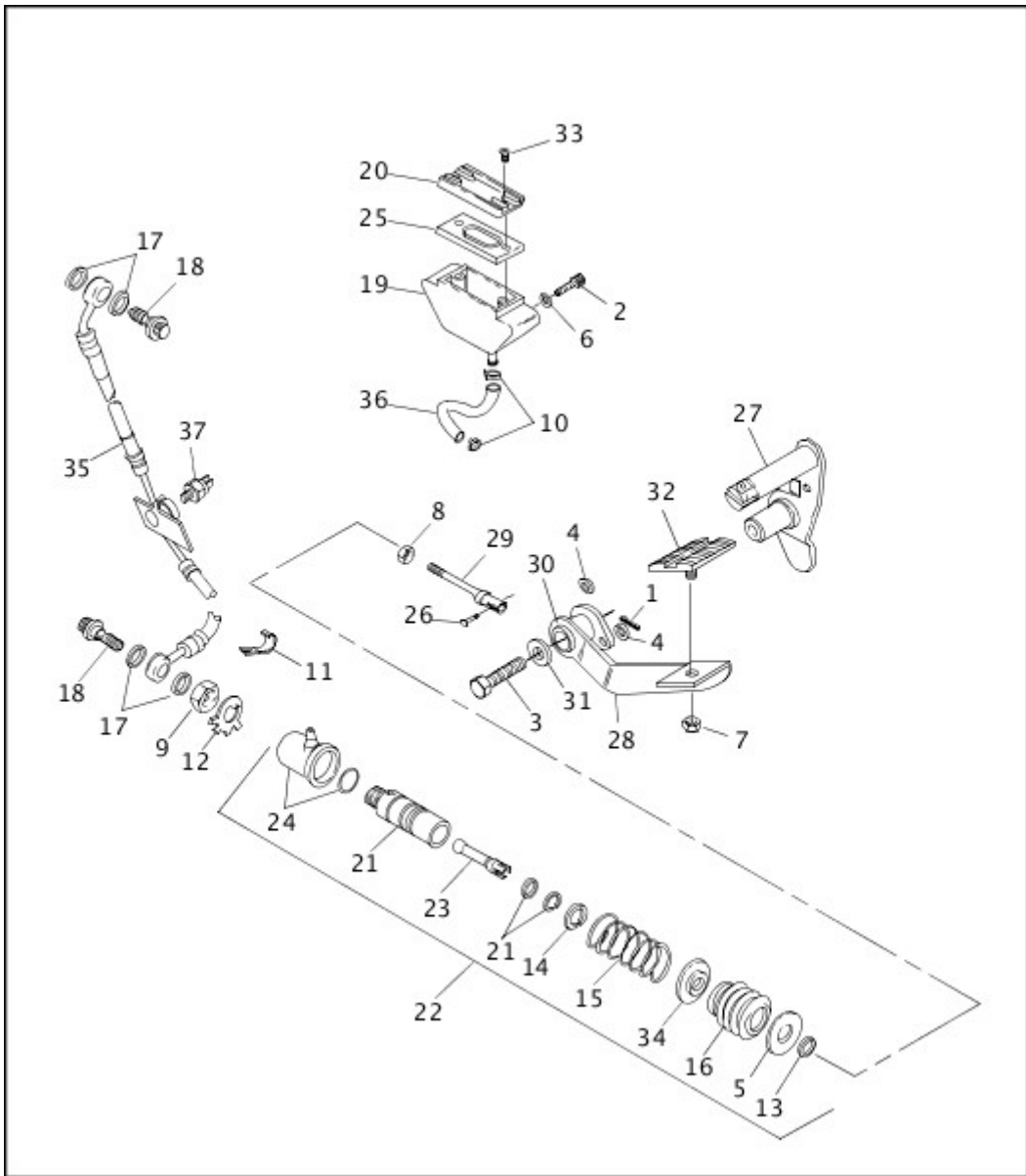
## FRONT WHEEL (2 OF 2)



[View interactive table](#)

INDEX NO.	PART NO.	DESCRIPTION	MODEL(S)
	43701-99	HUB, w/ bearings & seals (polished)	FXST
32	95595-84A	WEIGHT, 5 grams for cast wheel (silver)	FLSTF

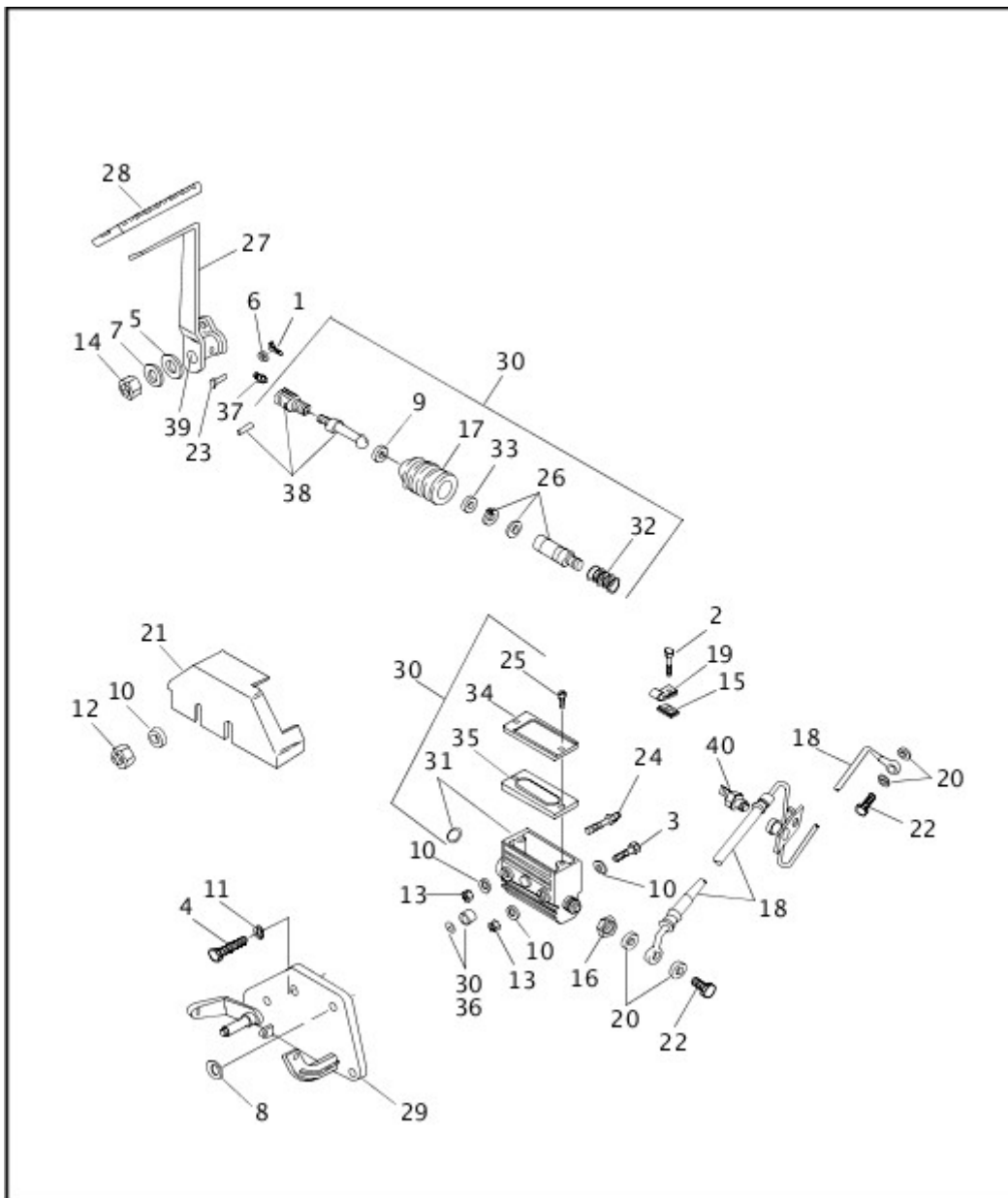
## REAR BRAKE CONTROL - FXST MODELS



[View interactive table](#)

INDEX NO.	PART NO.	DESCRIPTION	MODEL(S)
16	40922-87A	BOOT, pushrod	FXST, FXSTB, FXSTC, FXSTS
21	42382-87C	REPAIR KIT, master cylinder	FXST, FXSTB, FXSTC, FXSTS
22	42446-87B	MASTER CYLINDER ASSEMBLY, rear	FXST, FXSTB, FXSTC, FXSTS
35	45156-89E	BRAKE LINE, rear	FXST, FXSTB, FXSTC, FXSTS
37	72023-51E	STOP LAMP SWITCH, rear	FXST, FXSTB, FXSTC, FXSTS

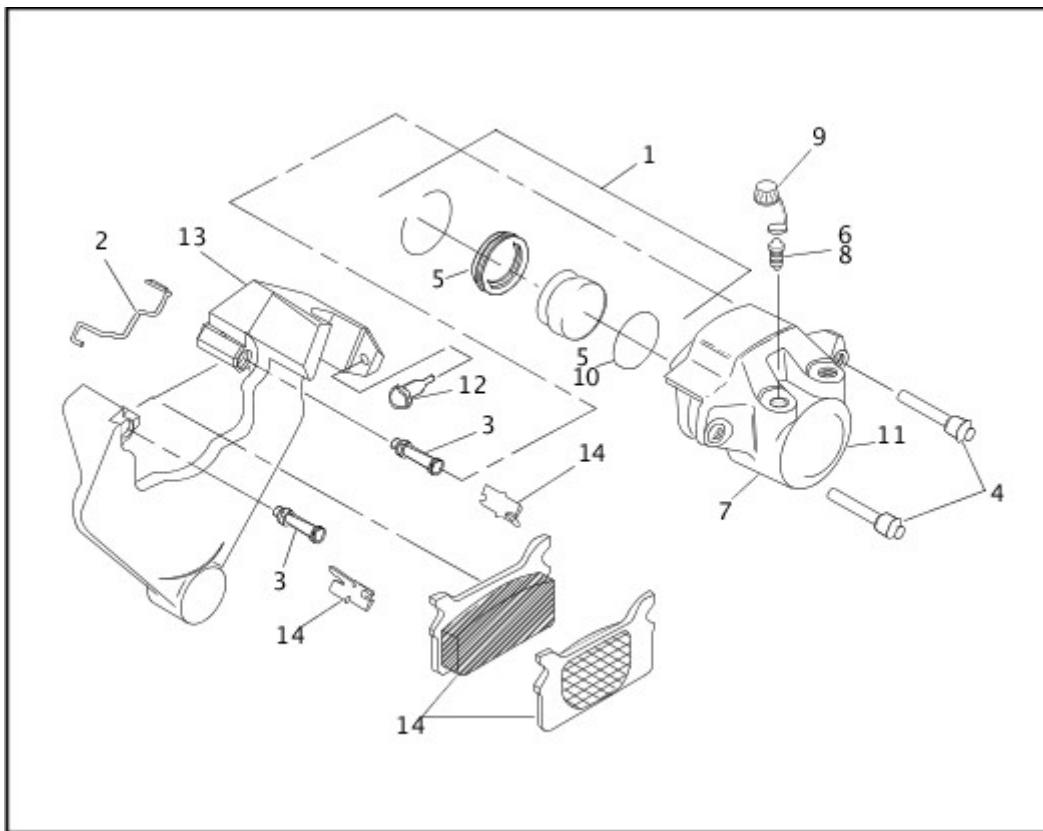
## **REAR BRAKE CONTROL - FLST MODELS**



[View interactive table](#)

INDEX NO.	PART NO.	DESCRIPTION	MODEL(S)
3	4068A	BOLT	FLSTC, FLSTF, FLSTS
17	40922-87A	BOOT, pushrod	FLSTC, FLSTF, FLSTS
18	40957-87C	BRAKE LINE, rear	FLSTC, FLSTF, FLSTS
24	42301-87A	STUD, master cylinder	FLSTC, FLSTF, FLSTS
26	42382-87C	REPAIR KIT, master cylinder	FLSTC, FLSTF, FLSTS
27	42407-87C	LEVER, foot brake (chrome)	FLSTC, FLSTF, FLSTS
30	42468-87E	MASTER CYLINDER ASSEMBLY, rear	FLSTC, FLSTF, FLSTS
40	72023-51E	STOP LAMP SWITCH, rear	FLSTC, FLSTF, FLSTS

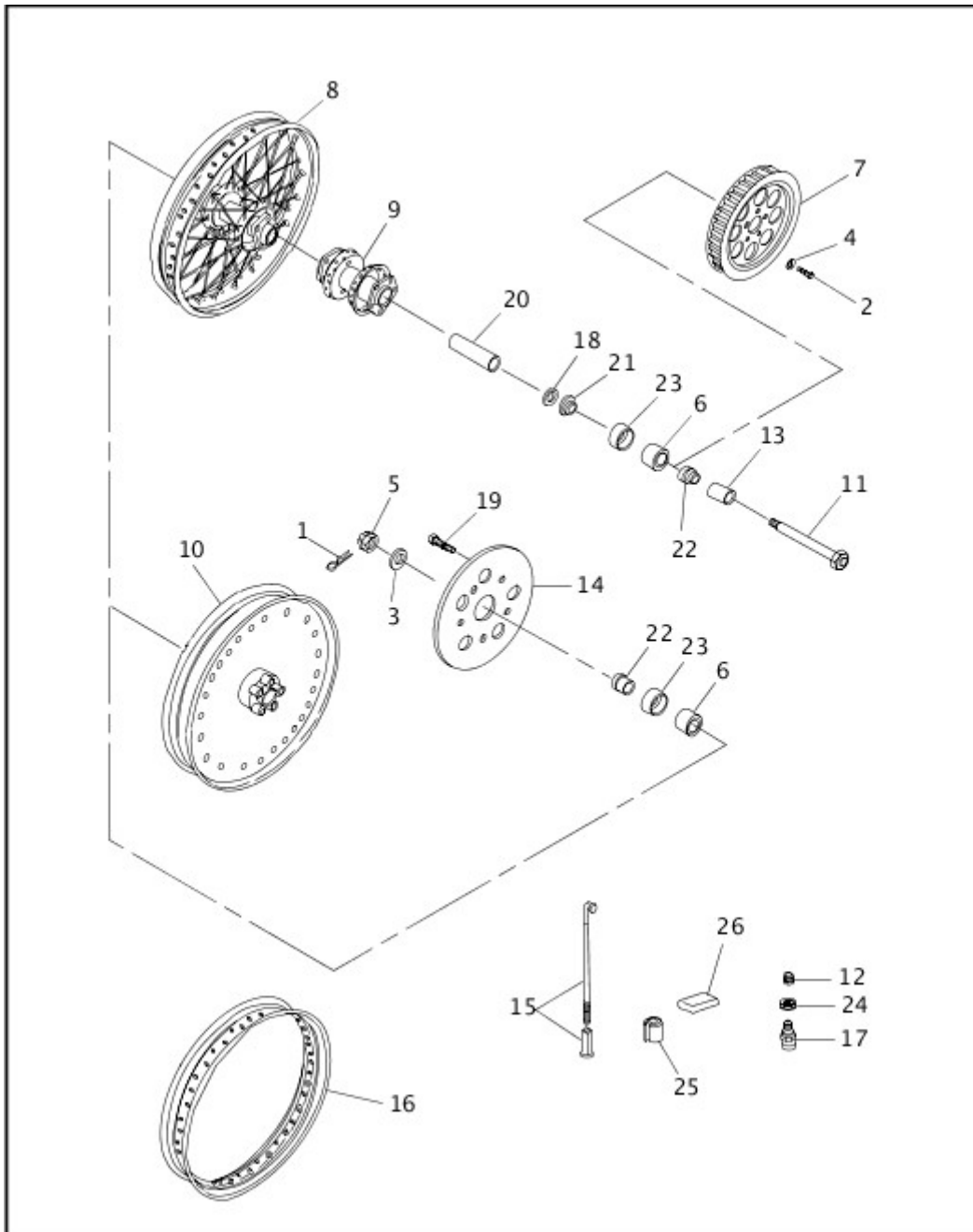
## [REAR BRAKE CALIPER](#)



View interactive table

INDEX NO.	PART NO.	DESCRIPTION	MODEL(S)
9	44147-87A	CAP, bleeder screw	ALL

## REAR WHEEL

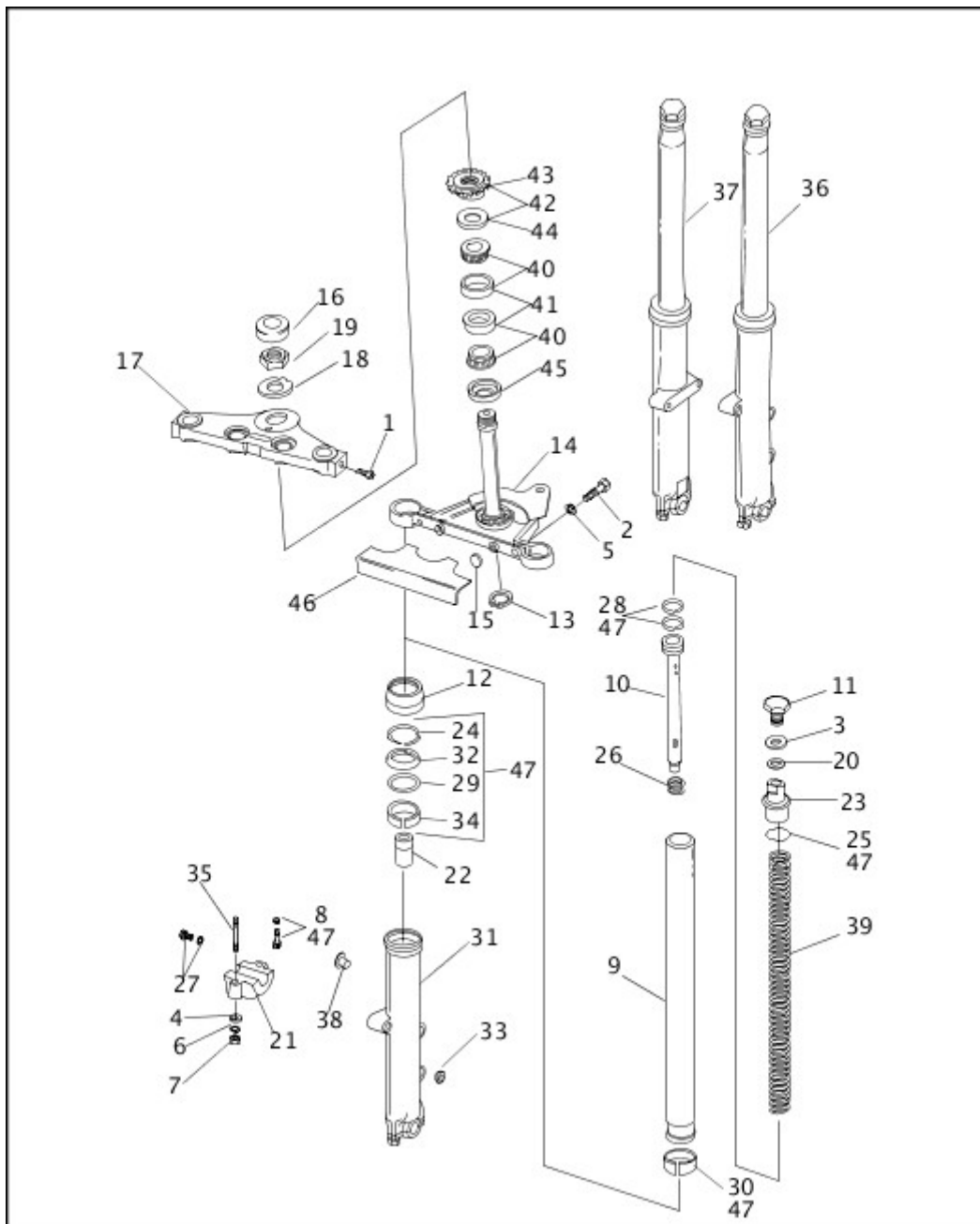


View interactive table

INDEX NO.	PART NO.	DESCRIPTION	MODEL(S)
8	40975-86C	WHEEL ASSEMBLY, rear 16 inch laced (chrome)	FLSTC, FLSTS, FXST, FXSTS
10	41058-87B	WHEEL ASSEMBLY, rear 16 inch disc (silver)	FLSTF, FXSTC
	41059-87	WHEEL ASSEMBLY, rear 16 inch disc (black)	FXSTB
15	43241-05	SPOKE & NIPPLE SET, 16 inch rim (40)	FLSTC, FLSTS, FXST, FXSTS
26	95595-84A	WEIGHT, 5 grams (silver)	FLSTF, FXSTB, FXSTC

## **FRONT FORK - FXST, FXSTC & FXSTB**

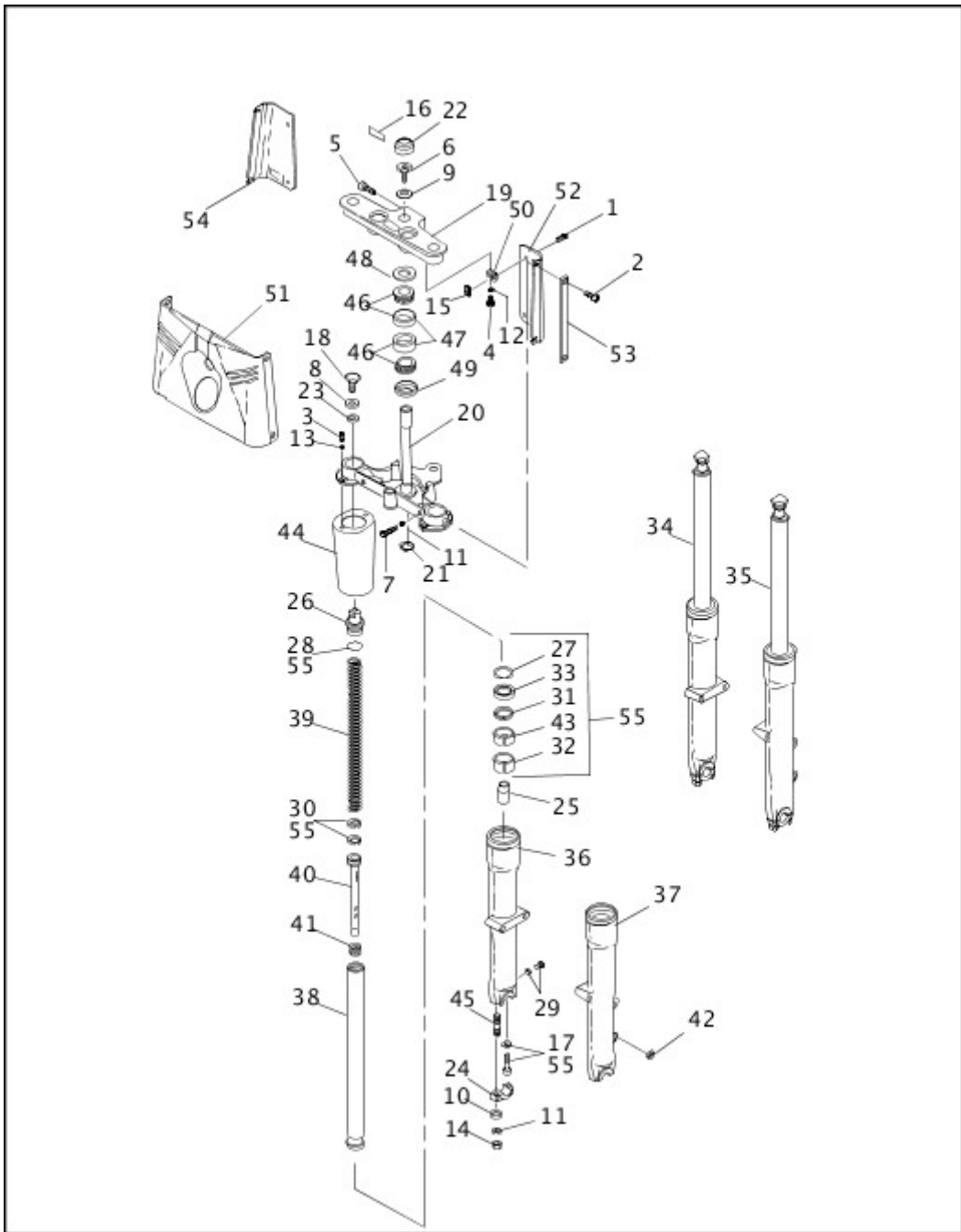




[View interactive table](#)

INDEX NO.	PART NO.	DESCRIPTION	MODEL(S)
15	45648-85A	PAD (felt) (2)	FXST, FXSTB, FXSTC
16	45670-80A	CAP, fork stem	FXST, FXSTB, FXSTC
17	45672-80B	BRACKET, upper (chrome)	FXST, FXSTB, FXSTC
43	48332-48C	ADJUSTING NUT, upper	FXST, FXSTB, FXSTC
47	49377-09A	FORK REBUILD KIT, w/ 8, 24, 25, 28, 29, 30, 32 & 34	FXST, FXSTB, FXSTC

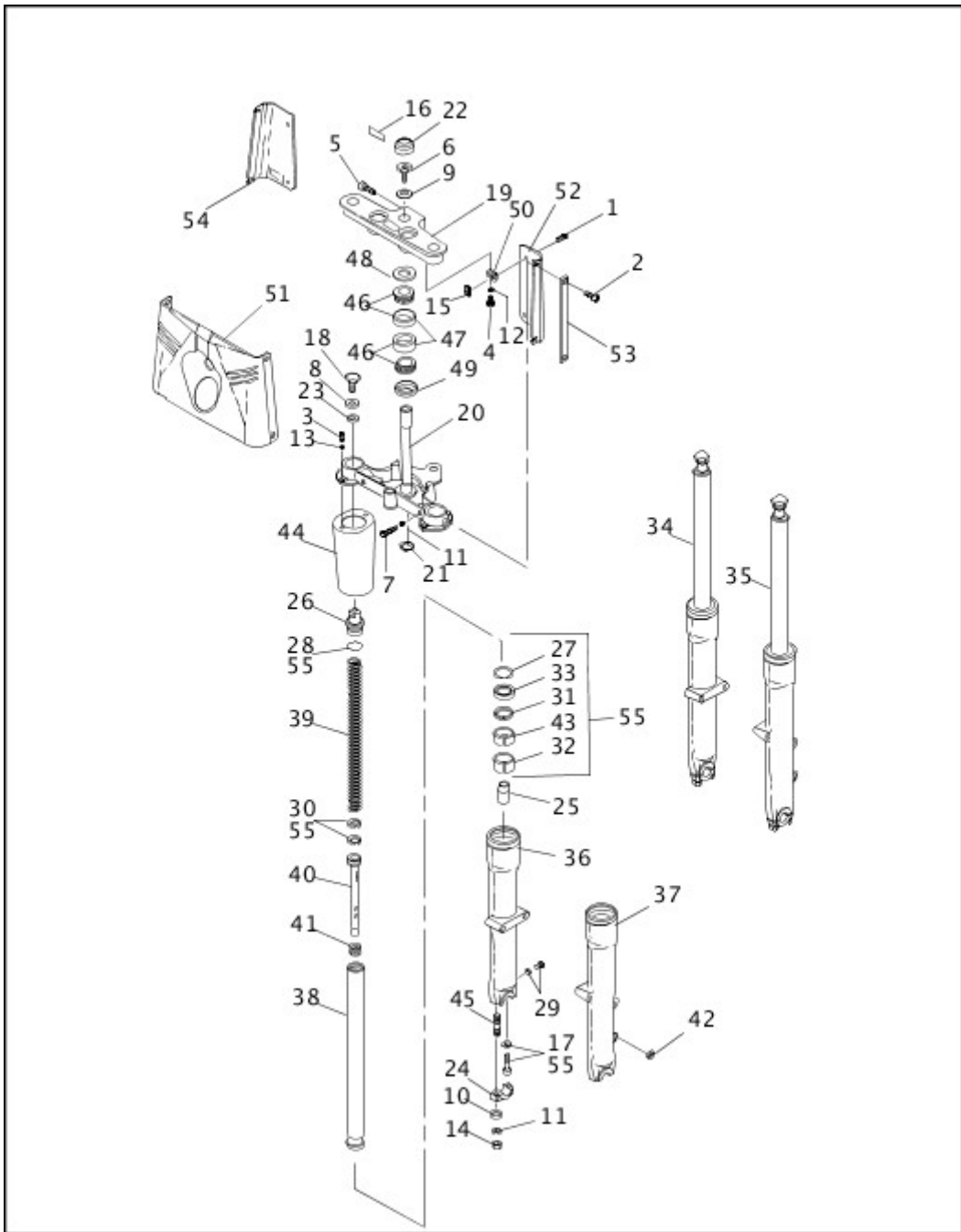
## [FRONT FORK - FLSTC & FLSTF \(1 OF 2\)](#)



[View interactive table](#)

INDEX NO.	PART NO.	DESCRIPTION	MODEL(S)
19	45456-86B	BRACKET, upper	FLSTC, FLSTF
22	45670-80A	CAP, fork stem	FLSTC, FLSTF

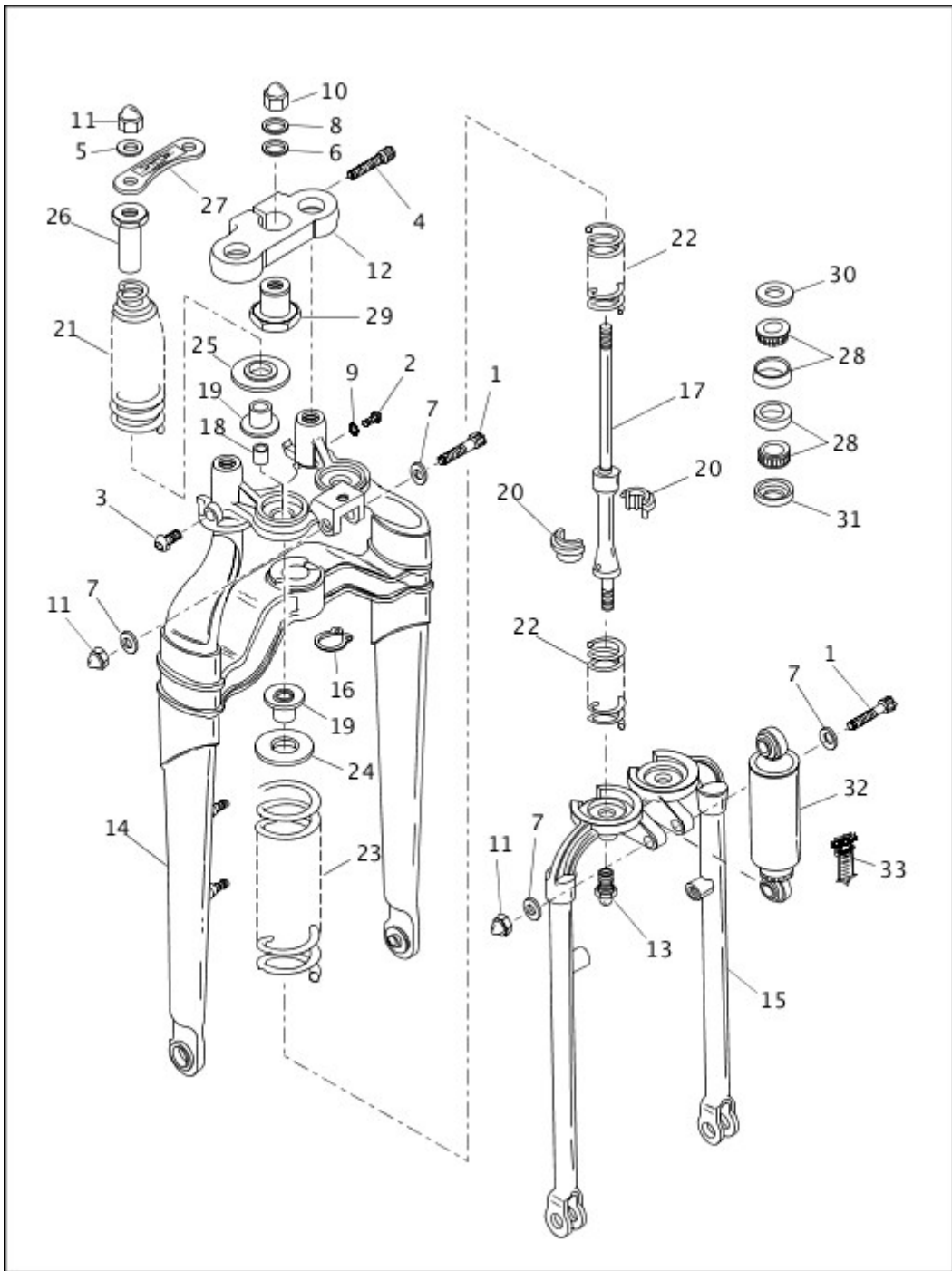
**[FRONT FORK - FLSTC & FLSTF \(2 OF 2\)](#)**



[View interactive table](#)

INDEX NO.	PART NO.	DESCRIPTION	MODEL(S)
54	67814-86	BACK PANEL, right, rear	FLSTC, FLSTF
55	49377-09A	FORK REBUILD KIT, w/ 17, 27, 28, 30, 31, 32, 33 & 43	FLSTC, FLSTF

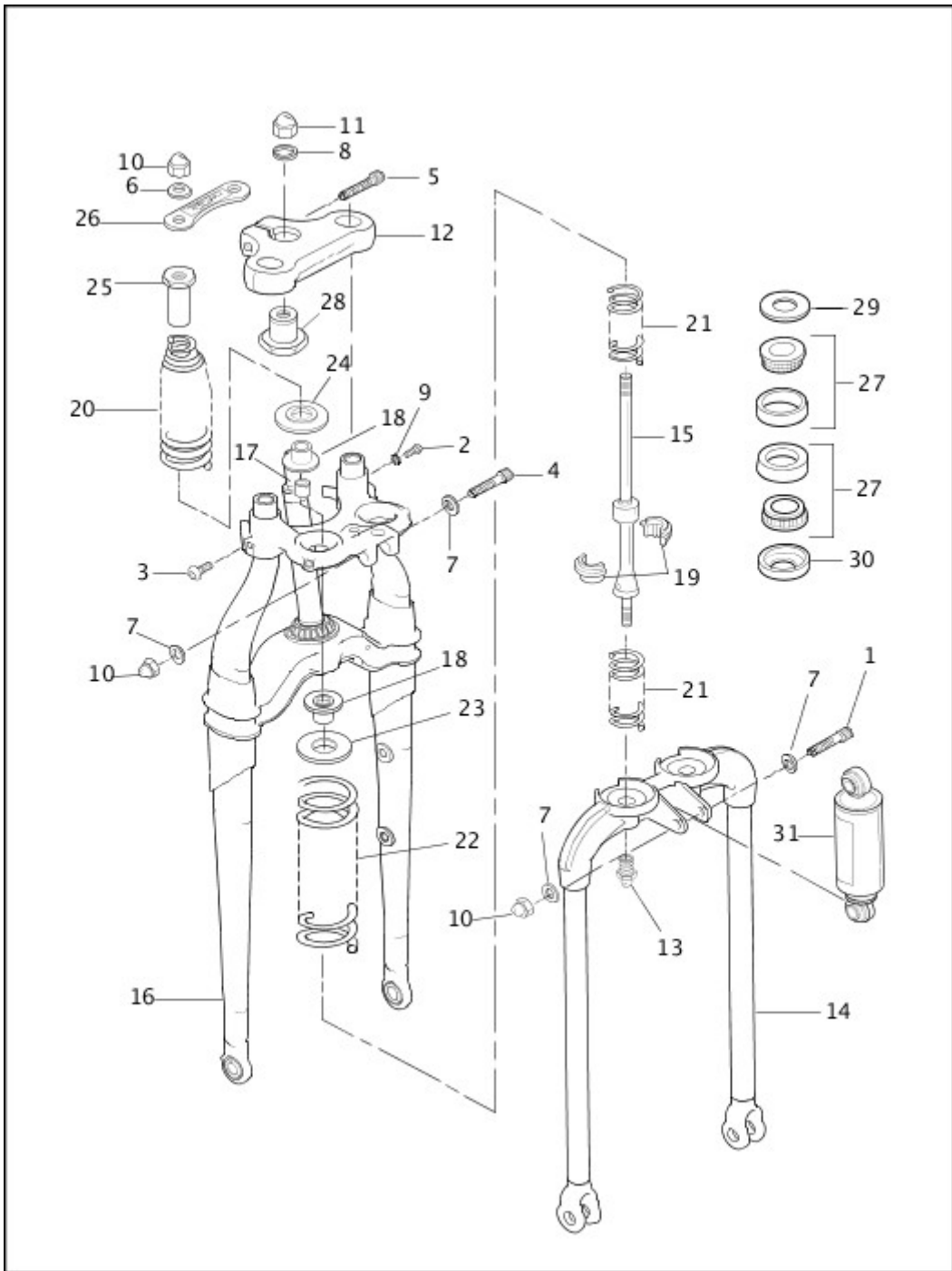
## [FRONT FORK - FXSTS](#)



[View interactive table](#)

INDEX NO.	PART NO.	DESCRIPTION	MODEL(S)
27	46062-88	SPRING BRIDGE	FXSTS

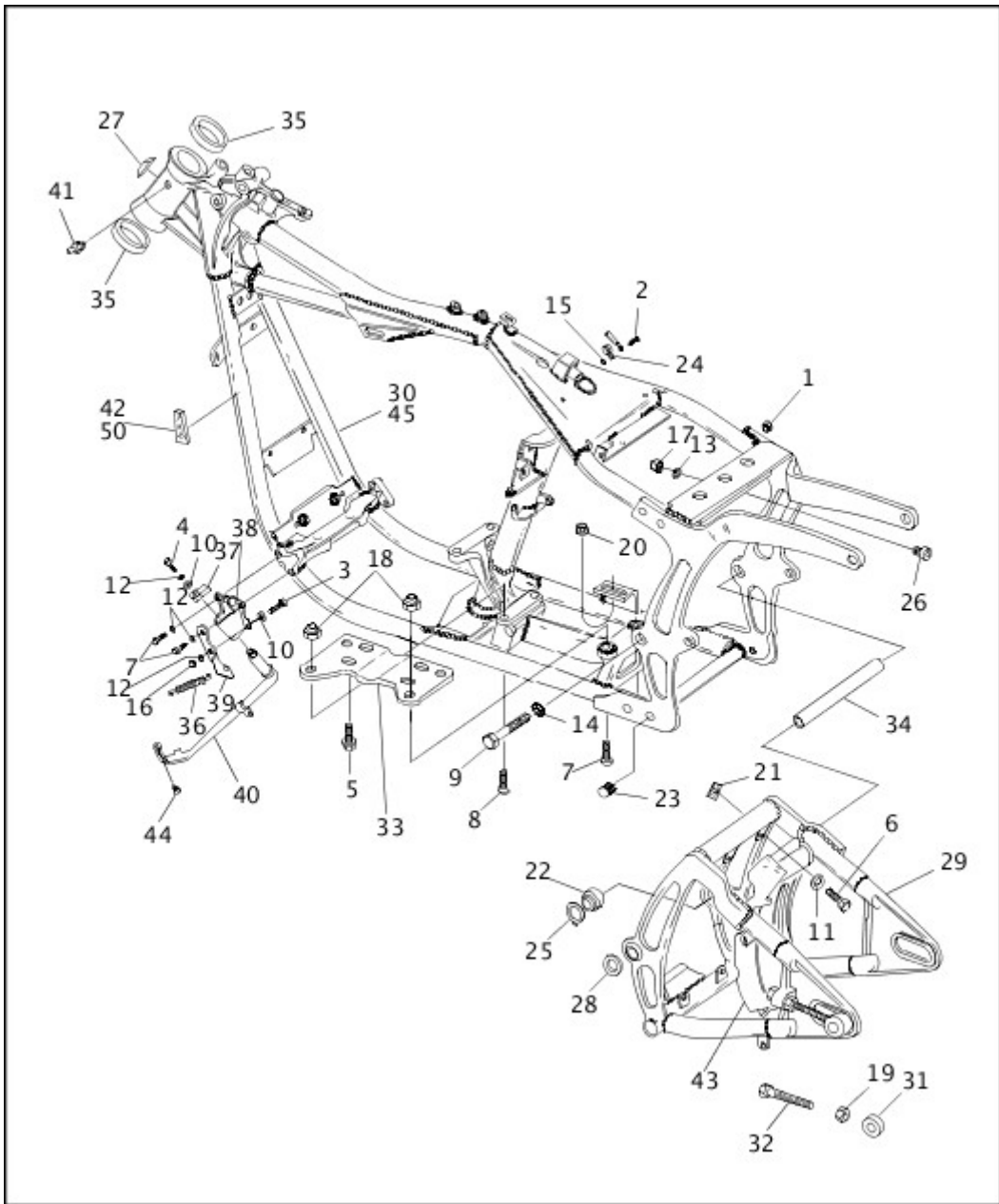
## **FRONT FORK - FLSTS**



[View interactive table](#)

INDEX NO.	PART NO.	DESCRIPTION	MODEL(S)
26	46062-88	SPRING BRIDGE	FLSTS

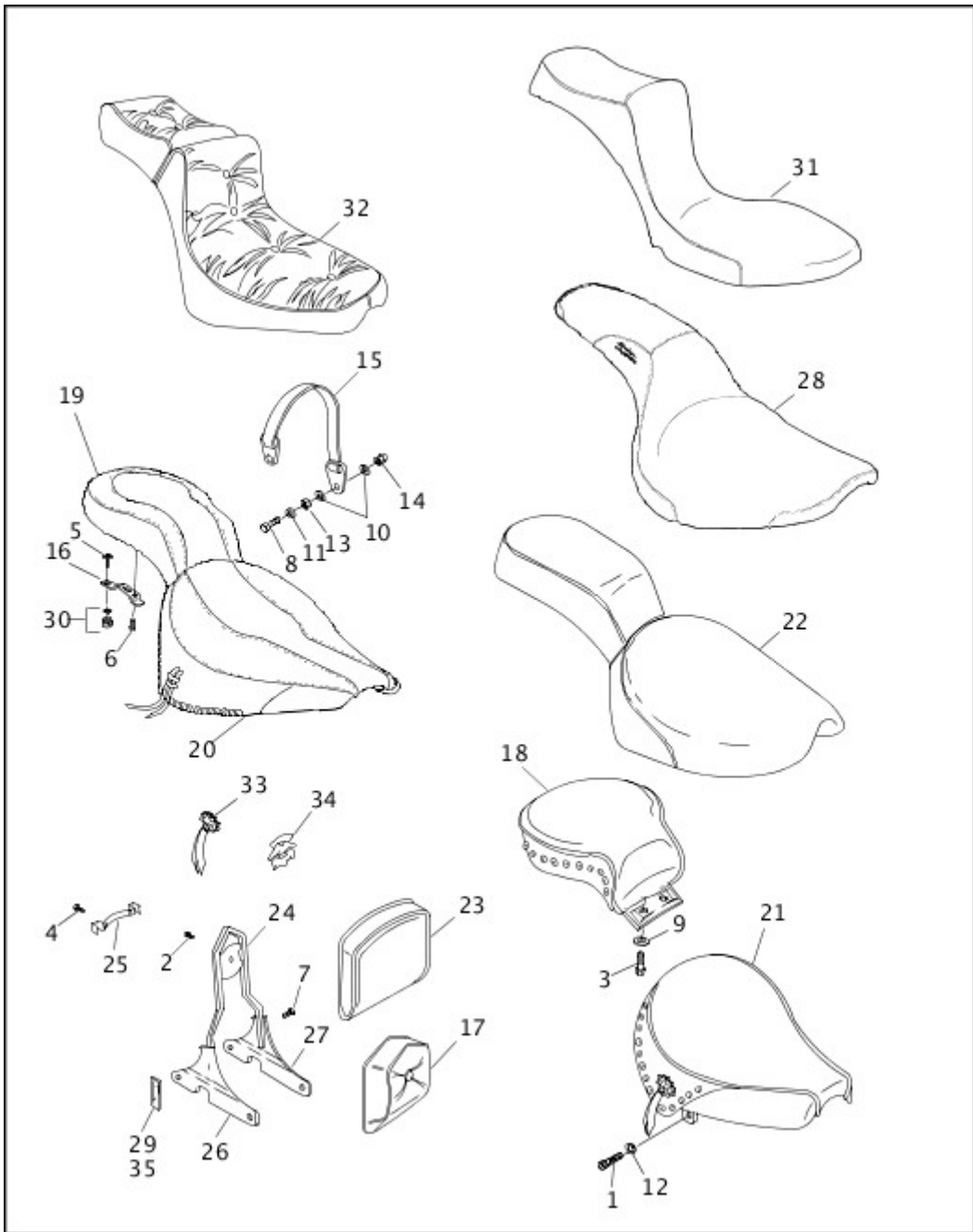
**[FRAME, REAR FORK & JIFFY STAND \(2 OF 2\)](#)**



[View interactive table](#)

INDEX NO.	PART NO.	DESCRIPTION	MODEL(S)
40	50087-89B	LEG, jiffy stand (chrome)	ALL

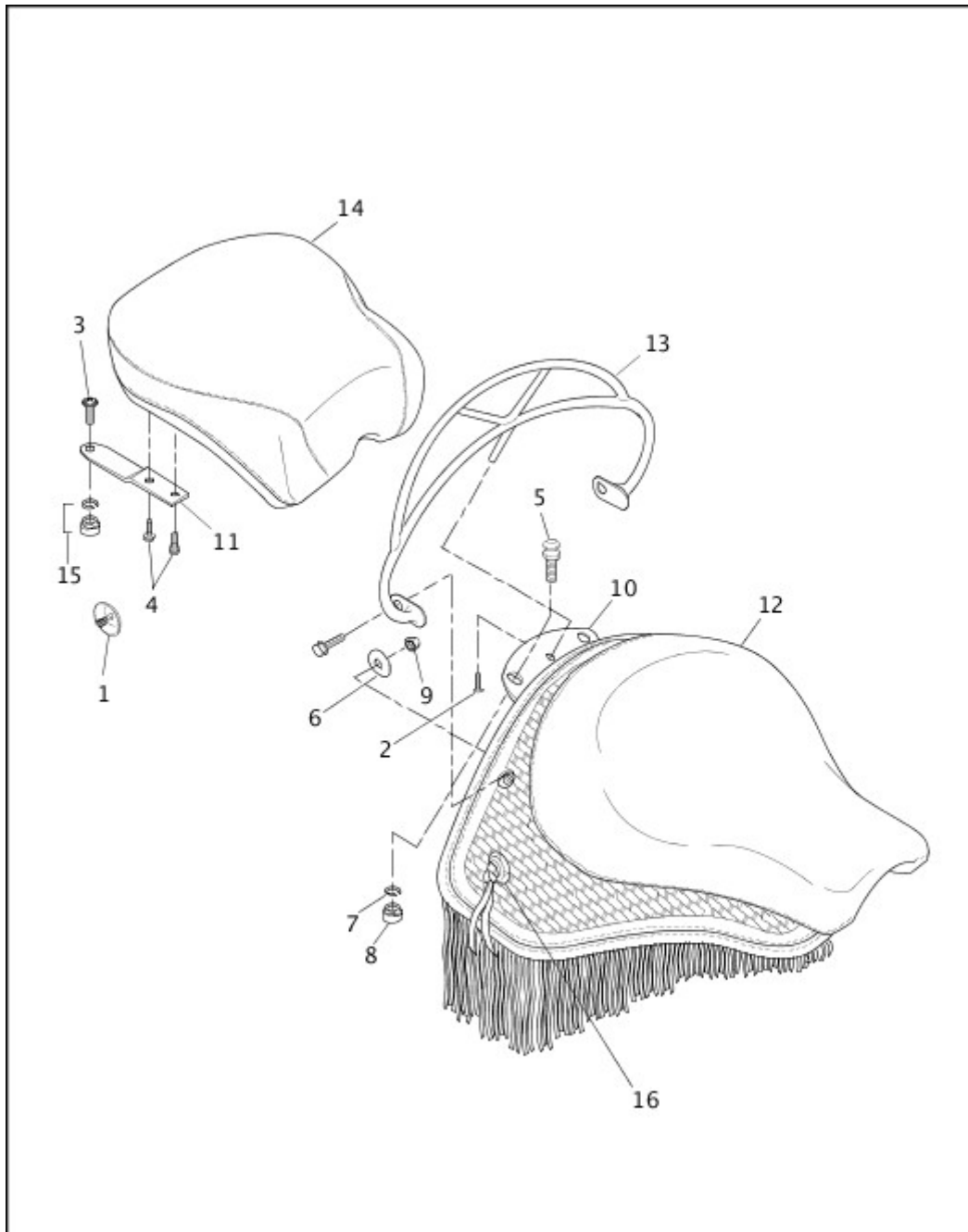
## [SEATS & SISSY BARS](#)



[View interactive table](#)

INDEX NO.	PART NO.	DESCRIPTION	MODEL(S)
1	868A	SCREW (2)	FLSTC, FLSTF
5	2952A	SCREW	FLSTC, FLSTF, FXST, FXSTB, FXSTC, FXSTS
17	52191-86	BACKREST	FXSTC
18	52912-00	SEAT KIT, passenger (black)	FLSTC
21	52236-86E	SEAT KIT, solo (black)	FLSTC
23	52541-87A	BACKREST KIT, w/ concho (black)	FLSTC
31	91767-99	SEAT (black)	FXST
32	91768-96	SEAT (black)	FXSTC

## SEAT - FLSTS

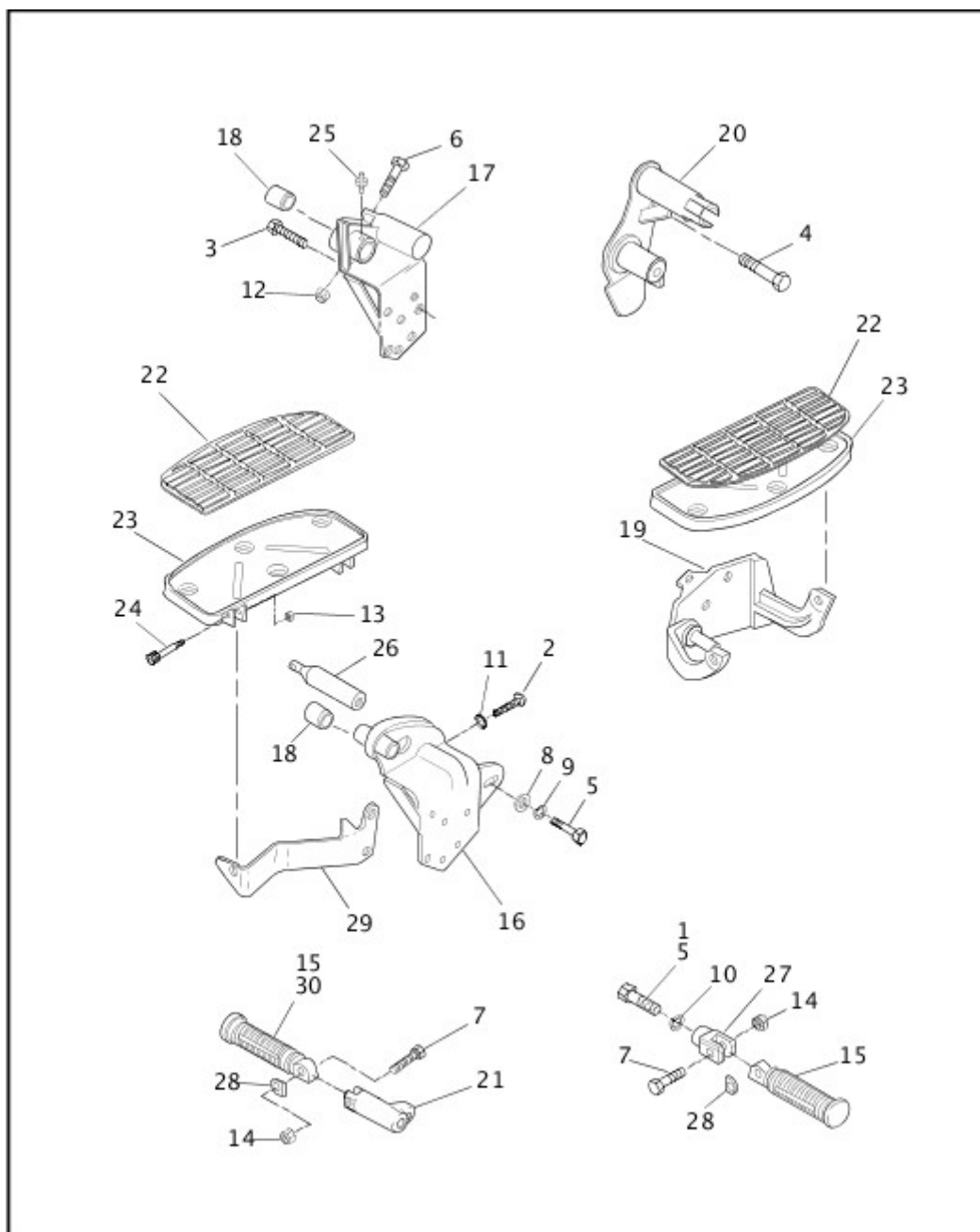


[View interactive table](#)

INDEX NO.	PART NO.	DESCRIPTION	MODEL(S)
3	2952A	SCREW	FLSTS
12	51793-99	SEAT (black trim)	FLSTS
14	51796-99	PASSENGER SEAT (black trim)	FLSTS

## FOOTRESTS & FOOTBOARDS

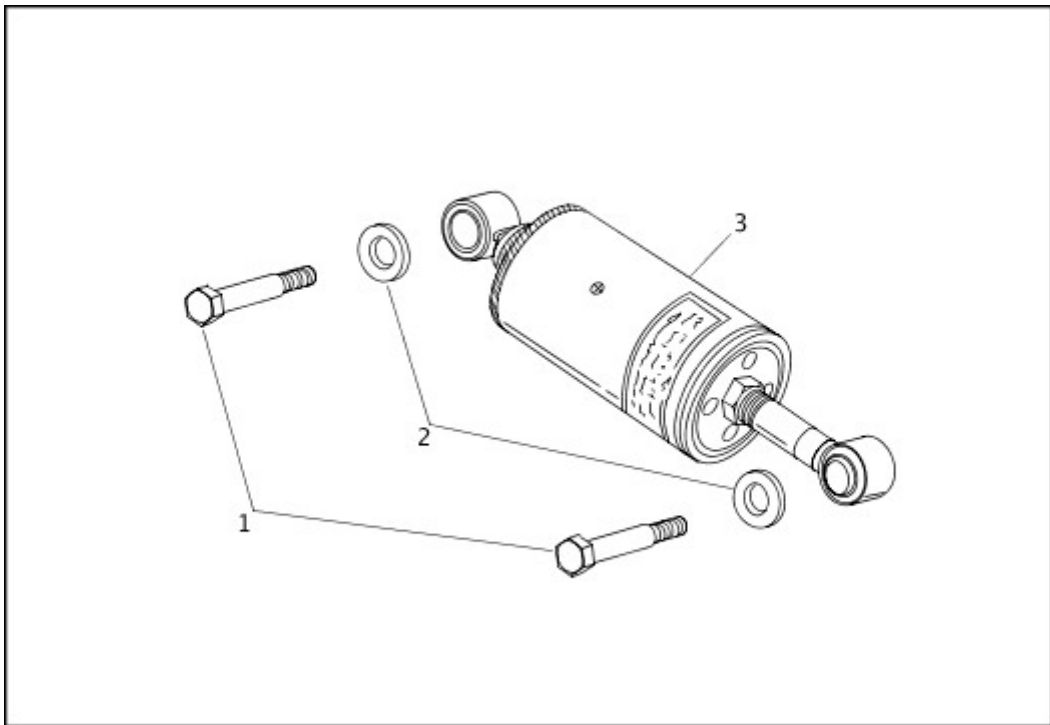




[View interactive table](#)

INDEX NO.	PART NO.	DESCRIPTION	MODEL(S)
4	4163	SCREW	FXST, FXSTB, FXSTC, FXSTS

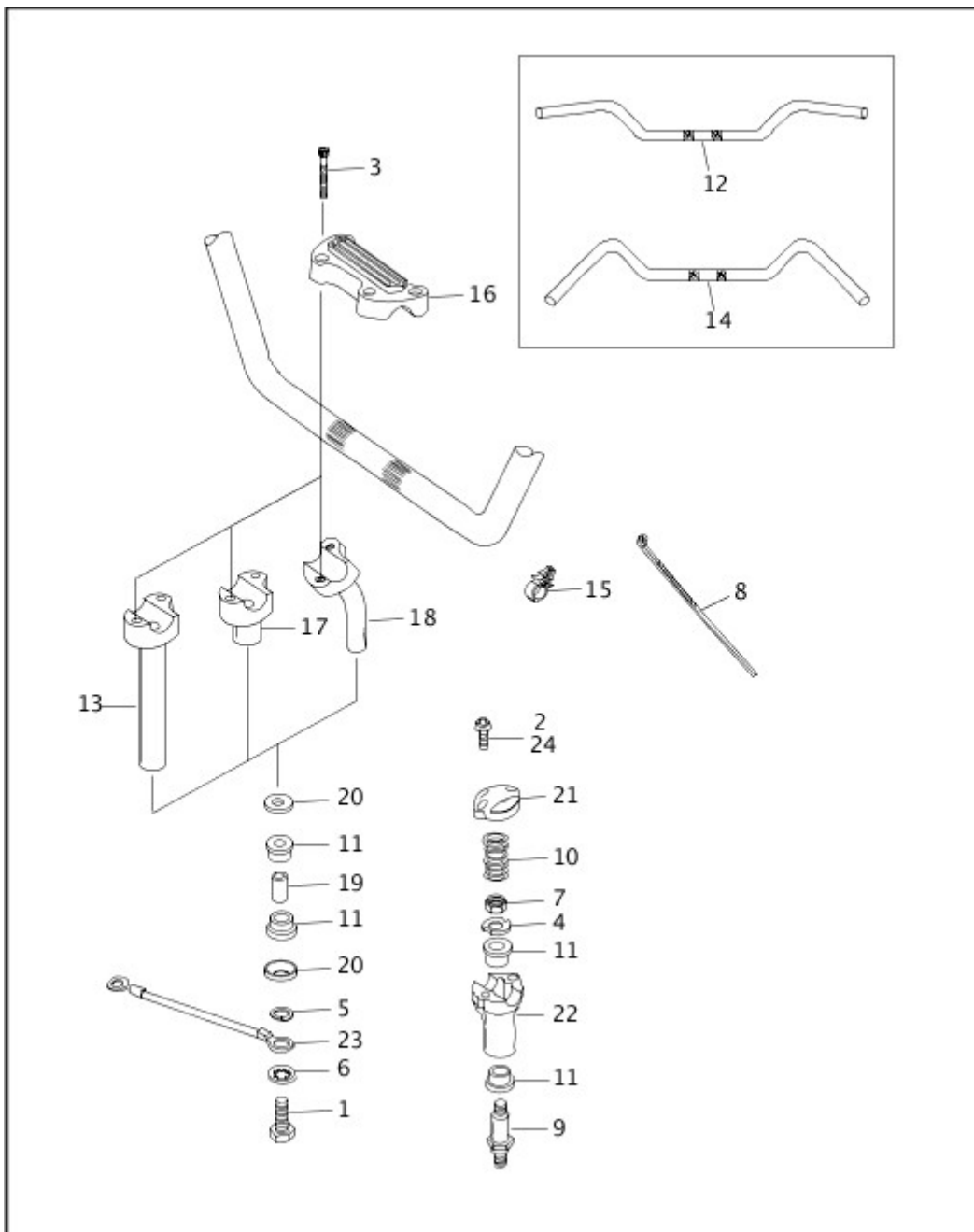
## [SHOCK ABSORBERS - REAR](#)



[View interactive table](#)

INDEX NO.	PART NO.	DESCRIPTION	MODEL(S)
1	4074A	BOLT (4)	ALL

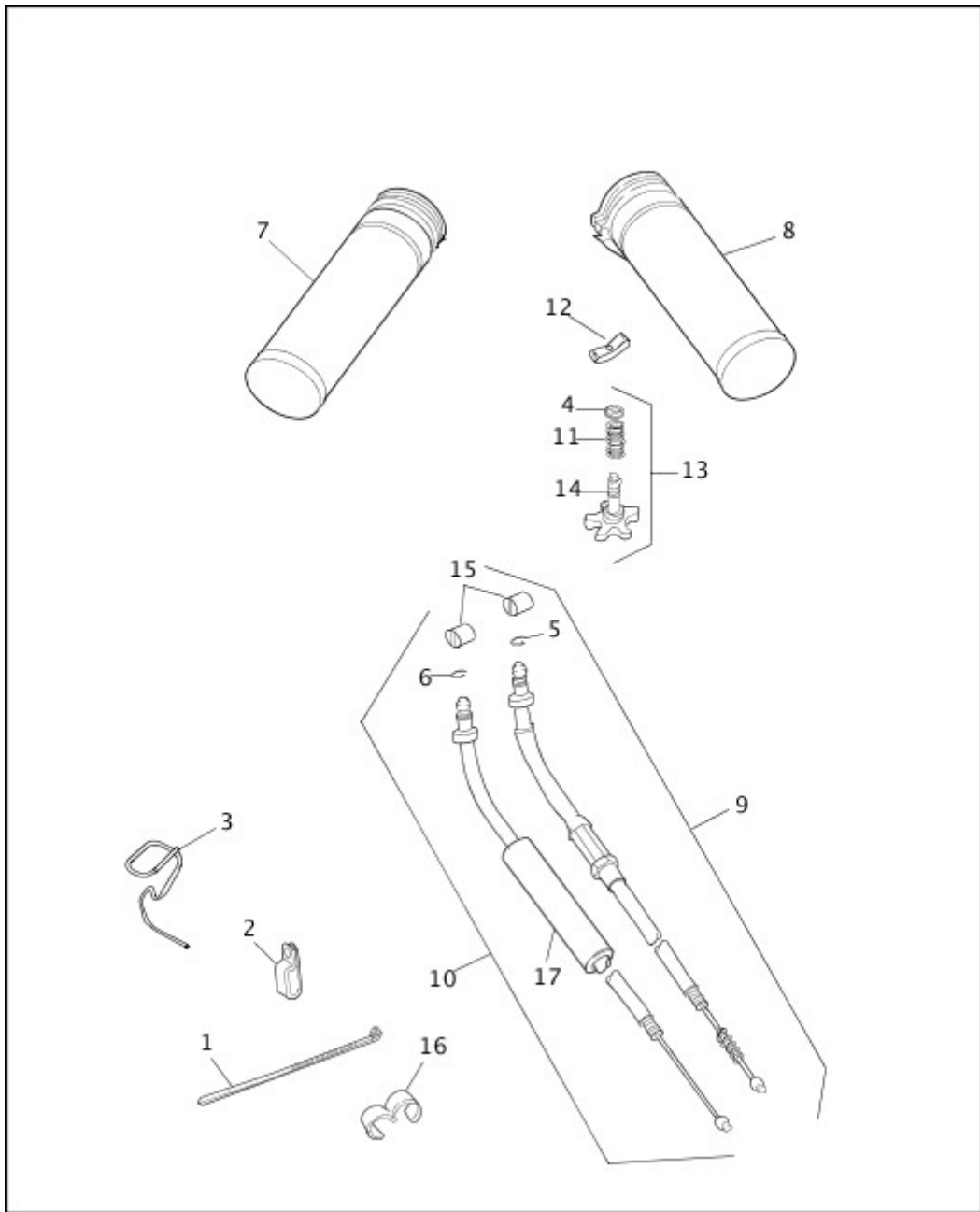
## [HANDLEBAR](#)



[View interactive table](#)

INDEX NO.	PART NO.	DESCRIPTION	MODEL(S)
	56224-99A	HANDLEBAR, drag style	FXSTB
13	57464-09	HANDLEBAR RISER, left (chrome)	FXSTB
	57465-09	HANDLEBAR RISER, right (chrome)	FXSTB
	56102-99	HANDLEBAR	FXST
	56567-86B	CLAMP, upper (chrome)	FLSTC, FLSTF, FXSTB
24	94331-91T	BOLT (4)	FXSTS

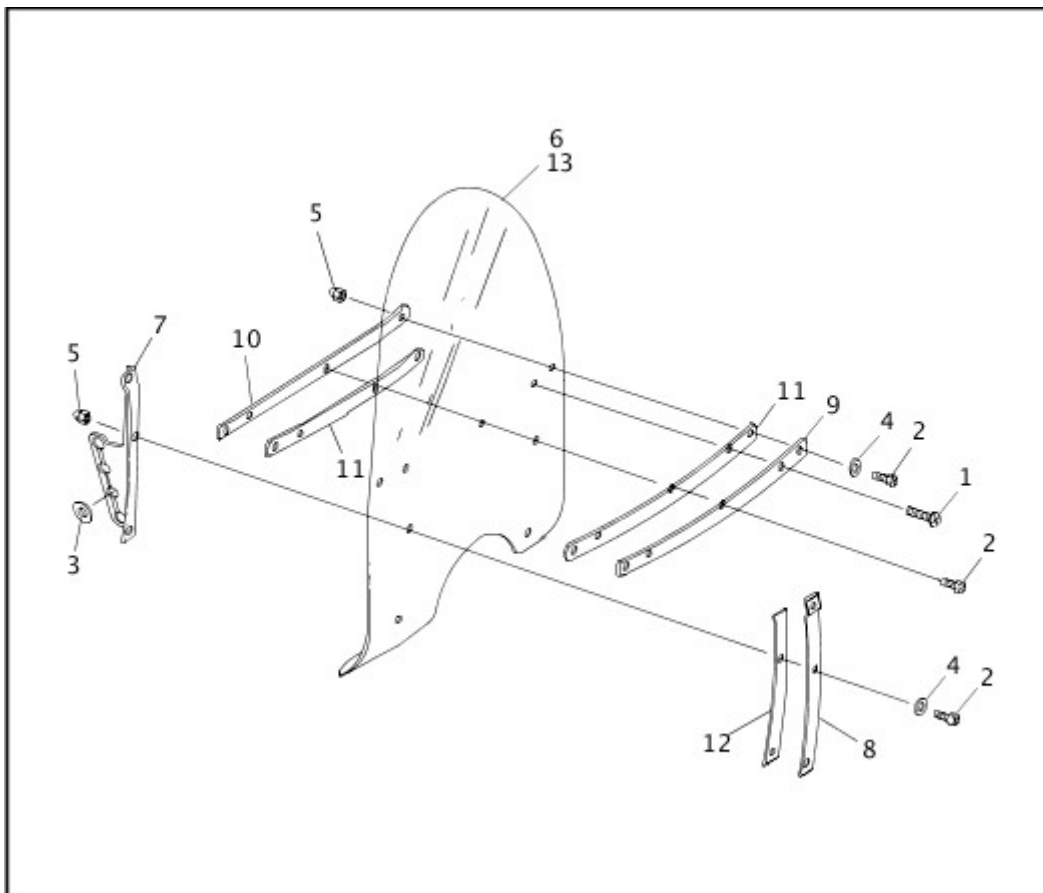
**THROTTLE CONTROL**



[View interactive table](#)

INDEX NO.	PART NO.	DESCRIPTION	MODEL(S)
2	10263A	CLAMP, throttle cables	FXSTS
17	38653-01	BOOT, cable	ALL

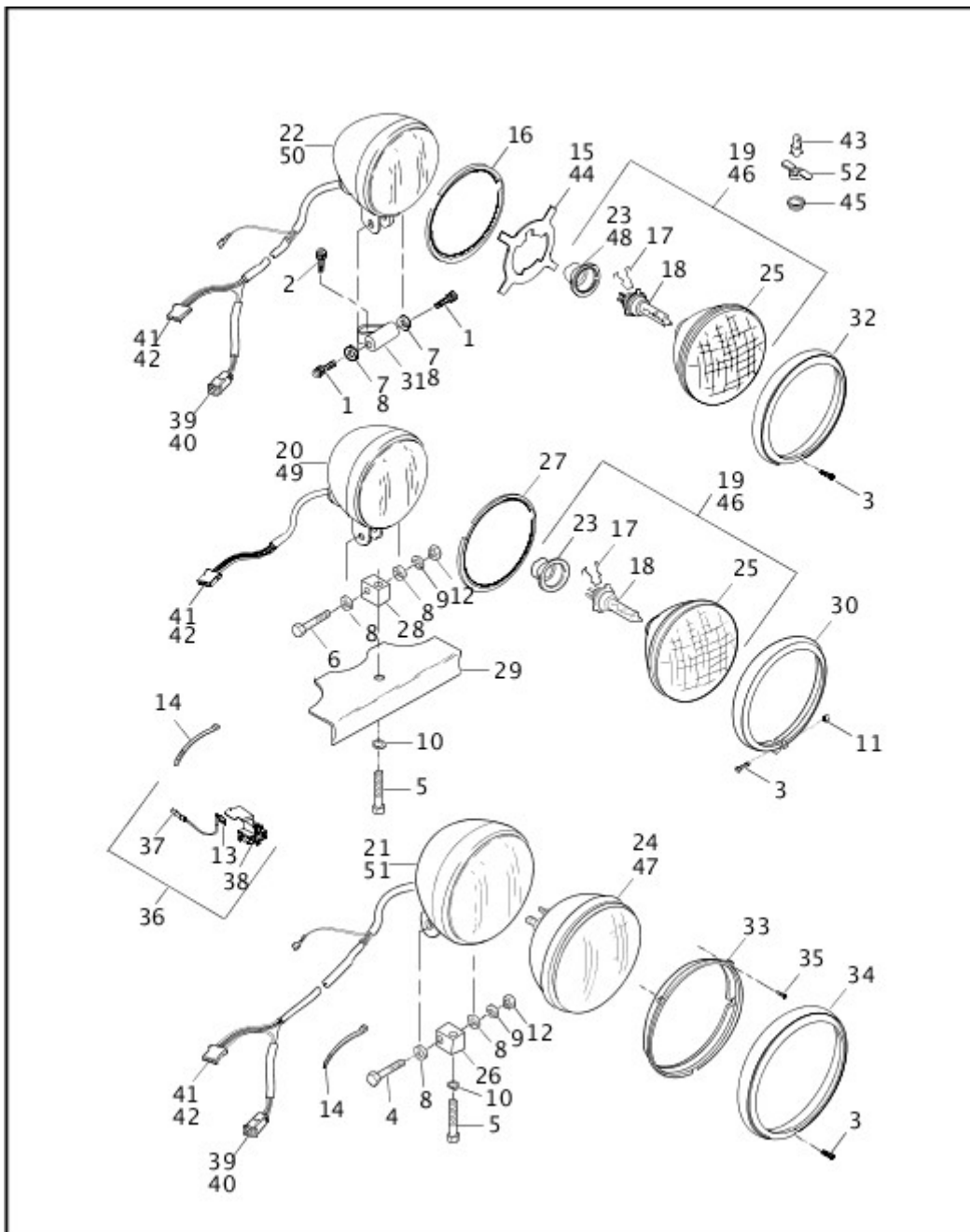
**WINDSHIELD - FLSTC**



[View interactive table](#)

INDEX NO.	PART NO.	DESCRIPTION	MODEL(S)
5	7651A	ACORN NUT (9)	FLSTC
13	58013-97	WINDSHIELD ASSEMBLY, complete	FLSTC

## [HEADLAMP \(1 OF 2\)](#)

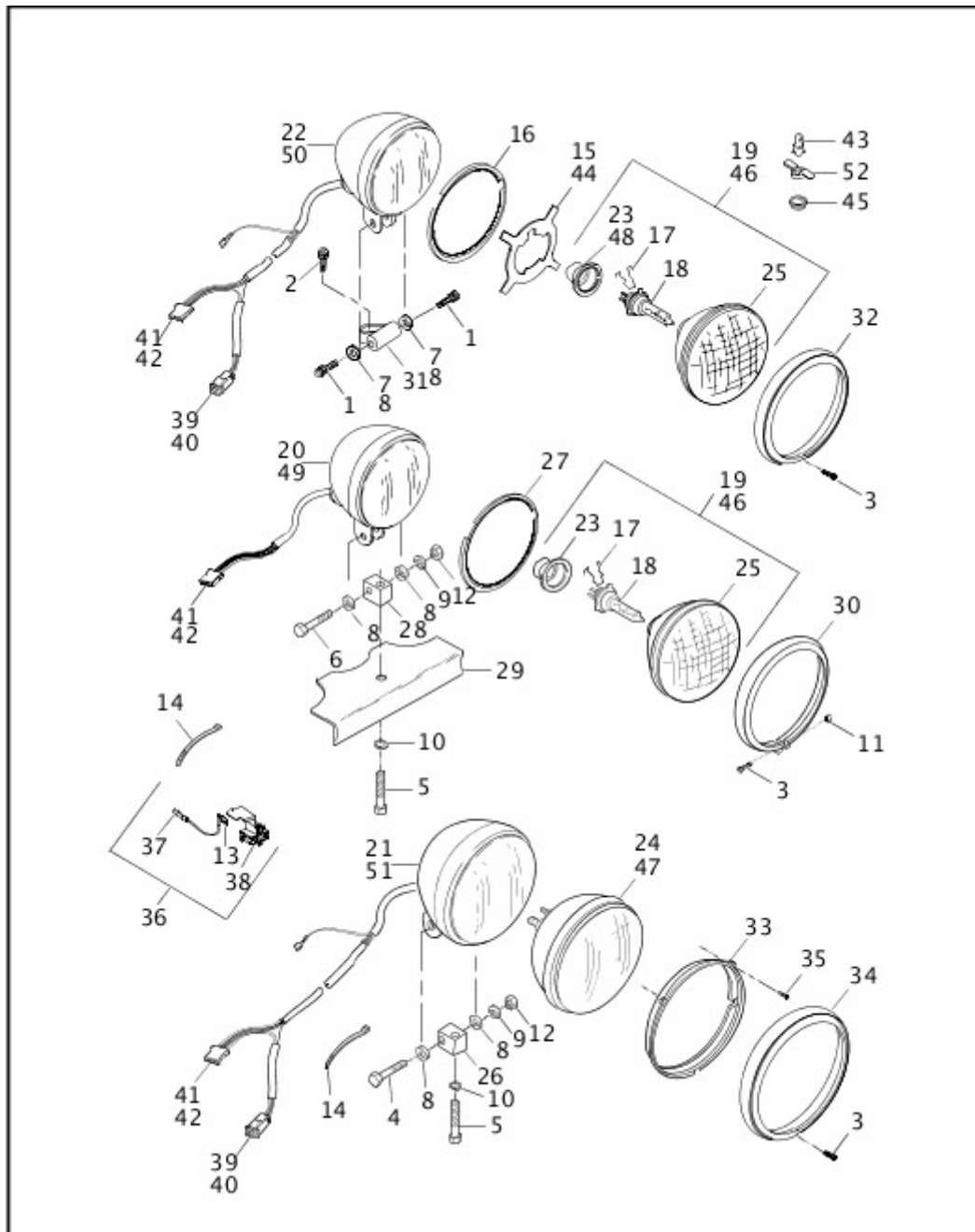


[View interactive table](#)

INDEX NO.	PART NO.	DESCRIPTION	MODEL(S)
15	67601-94A	GASKET, headlamp	FLSTS, FXSTS
16	67603-94A	ADAPTER RING	FLSTS, FXSTS
18	68329-03	BULB, halogen H-4	FLSTS, FXST, FXSTB, FXSTC, FXSTS
19	67698-81D	LENS ASSEMBLY, w/ bulb, boot & clip, 5-3/4 inch	FLSTS, FXST, FXSTB, FXSTC, FXSTS
21	67824-96A	HEADLAMP ASSEMBLY, w/ housing & wiring, 7 inch	FLSTF
	67903-96A	HEADLAMP ASSEMBLY, w/ housing & wiring, 7 inch	FLSTC
22	67841-96A	HEADLAMP ASSEMBLY, w/ housing & wiring, 5-3/4 inch	FXSTS
	67906-97A	HEADLAMP ASSEMBLY, w/ housing & wiring, 5-3/4 inch	FLSTS

INDEX NO.	PART NO.	DESCRIPTION	MODEL(S)
30	67790-93A	TRIM RING (chrome)	FXST, FXSTB, FXSTC
32	67894-93A	TRIM RING (chrome)	FLSTS, FXSTS
33	68050-93A	RETAINING RING	FLSTC, FLSTF
34	68051-93A	TRIM RING (chrome)	FLSTC, FLSTF

## HEADLAMP (2 OF 2)

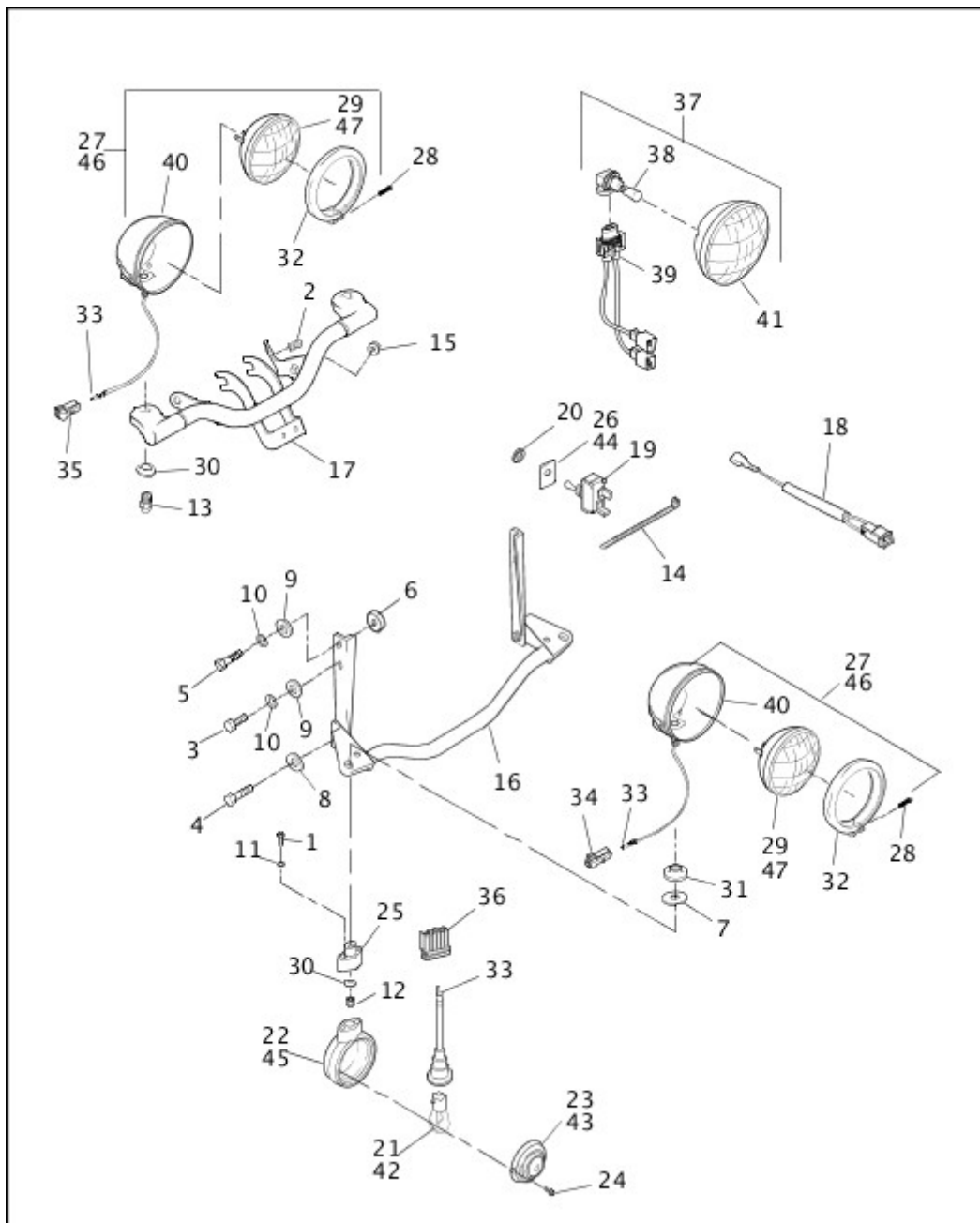


[View interactive table](#)

INDEX NO.	PART NO.	DESCRIPTION	MODEL(S)
46	67763-92A	LENS ASSEMBLY, w/ bulb & boot, R.H. dip	FLSTS, FXST, FXSTB, FXSTC, FXSTS

INDEX NO.	PART NO.	DESCRIPTION	MODEL(S)
	67781-92A	LENS ASSEMBLY, w/ bulb & boot, L.H. dip	FLSTS, FXST, FXSTB, FXSTC, FXSTS
47	67793-92A	LENS ASSEMBLY, w/ bulb & boot, R.H. dip	FLSTC, FLSTF
	67801-92A	LENS ASSEMBLY, w/ bulb & boot, L.H. dip	FLSTC, FLSTF

## AUXILIARY/FOG LAMPS - FLSTC & FLSTS, FRONT TURN SIGNALS - FLSTC (1 OF 2)



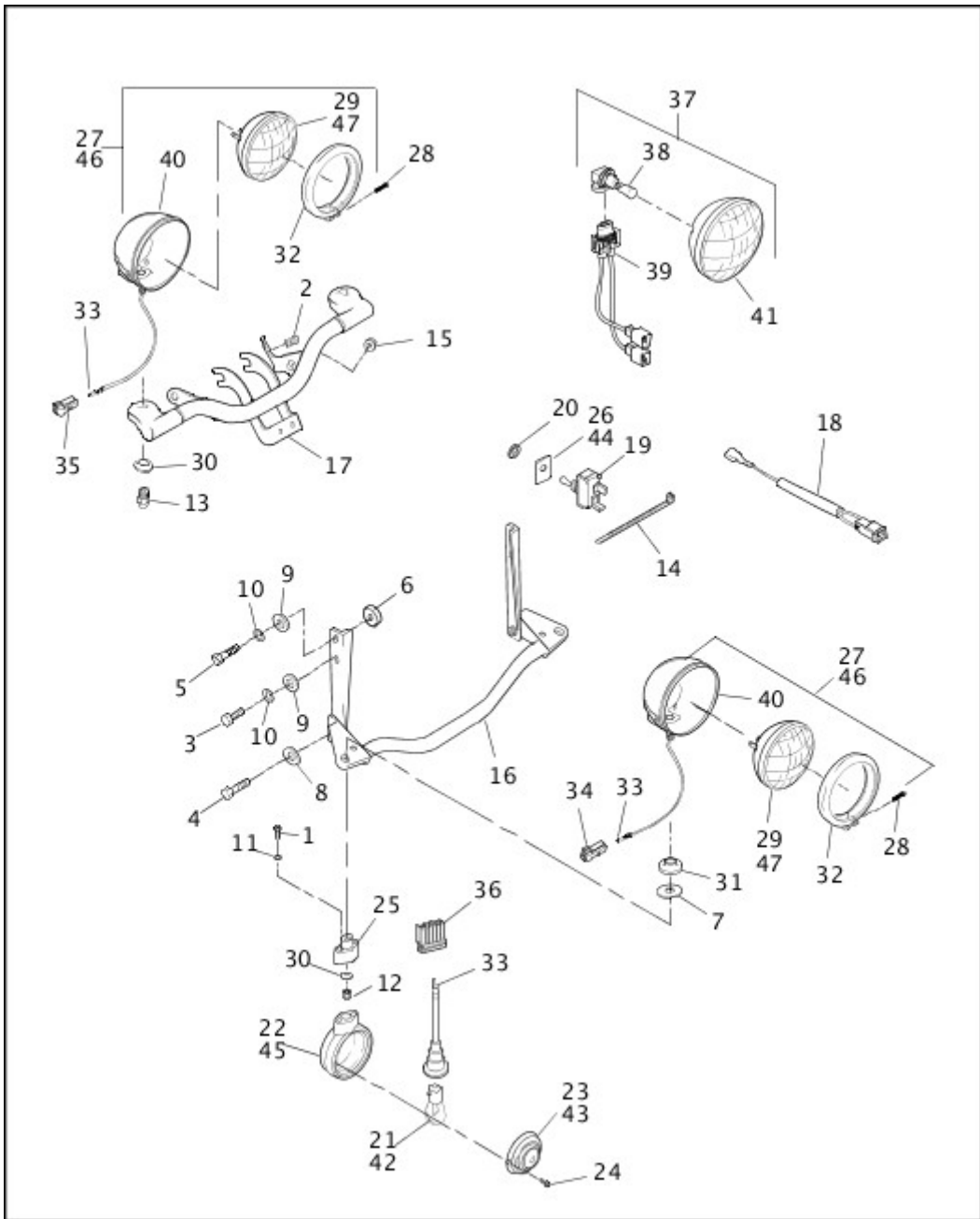
[View interactive table](#)

INDEX NO.	PART NO.	DESCRIPTION	MODEL(S)
16	57852-02A	BRACKET, auxiliary lamps	FLSTC



INDEX NO.	PART NO.	DESCRIPTION	MODEL(S)
21	68168-89A	BULB, turn signal (2)	FLSTC
25	68519-68A	MOUNTING BRACKET (2)	FLSTC
27	68671-69D	AUXILIARY LAMP ASSEMBLY, w/ 3514, 68683-02 & 68725-62A (2)	FLSTC, FLSTS
32	68725-62A	MOLDING, auxiliary lamps (2)	FLSTC, FLSTS
37	68348-05	AUXILIARY LAMP KIT, passing lamps, w/ 68355-05 & 68414-05 (replaces 68674-69A) (2)	FLSTC, FLSTS
38	68453-05	BULB, turn signal (used w/ 68414-05)	FLSTC, FLSTC
39	68355-05	WIRE HARNESS (2)	FLSTC, FLSTS
40	68683-02	HOUSING, lamp (chrome)	FLSTC, FLSTS
41	68414-05	AUXILIARY LAMP, passing lamps, w/ 68453-05 (used w/ 68348-05) (2)	FLSTC, FLSTS

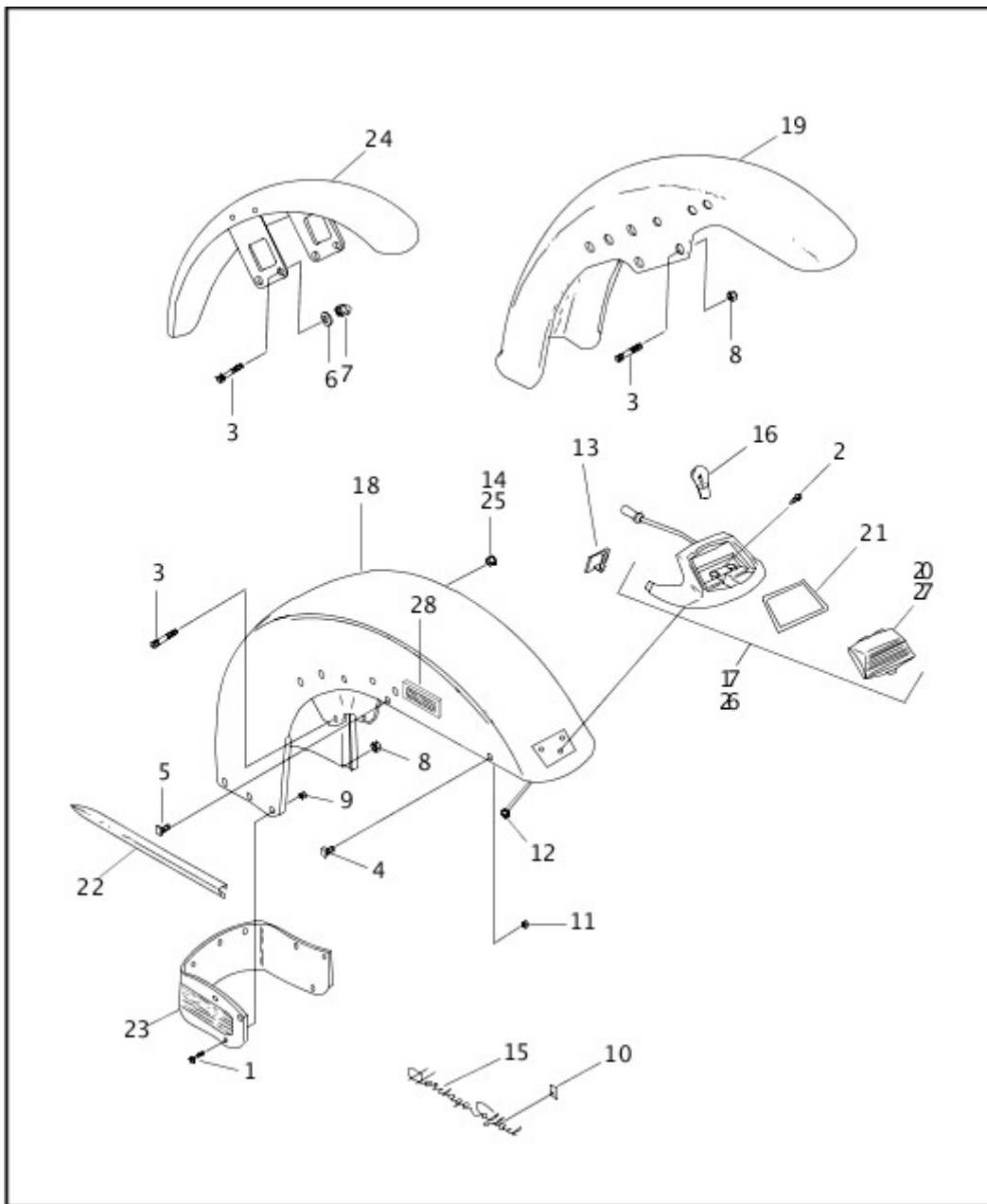
**AUXILIARY/FOG LAMPS - FLSTC & FLSTS, FRONT TURN SIGNALS - FLSTC (2 OF 2)**



[View interactive table](#)

INDEX NO.	PART NO.	DESCRIPTION	MODEL(S)
46	68846-98C	FOG LAMP ASSEMBLY (HDI) (2)	FLSTC, FLSTS
47	68847-98A	SEALED UNIT, fog lamps (HDI) (2)	FLSTC, FLSTS

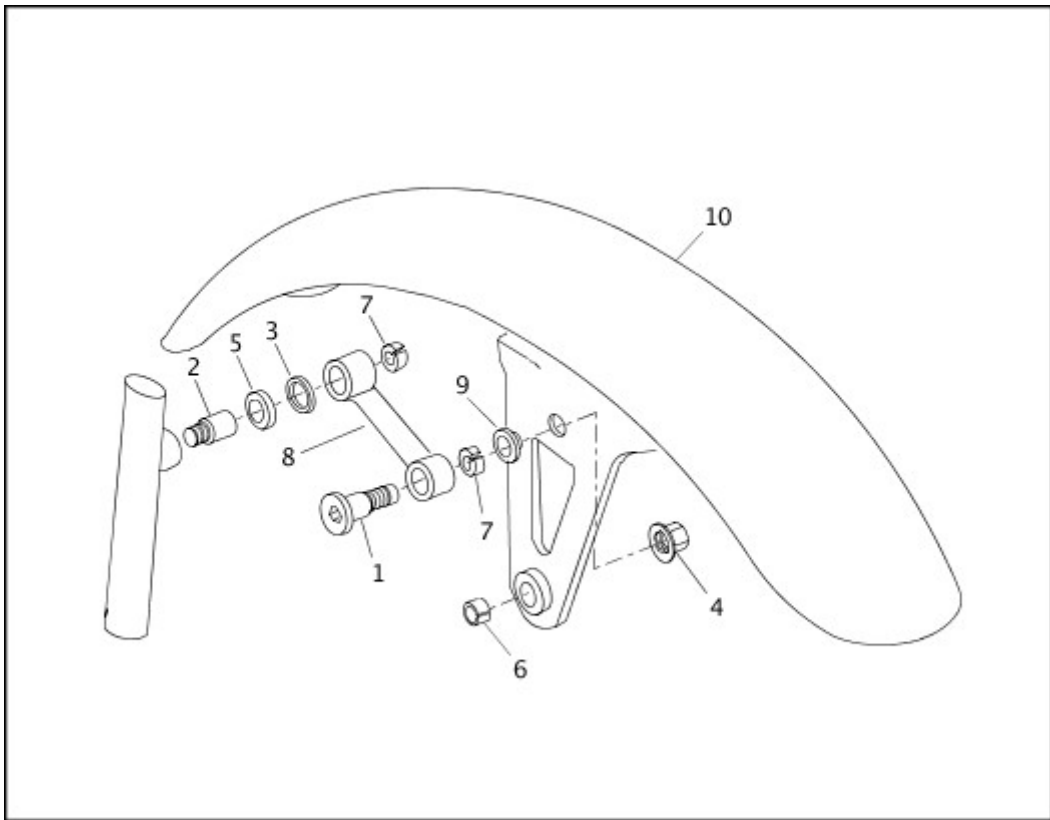
## **FRONT FENDER - FXST, FXSTB, FXSTC, FLSTC & FLSTF**



[View interactive table](#)

INDEX NO.	PART NO.	DESCRIPTION	MODEL(S)
13	10102	CLIP, self-adhesive	FLSTC
15	14142-86A	TRIM, "Heritage Softail" (2)	FLSTC
22	59211-74A	SIDE TRIM (2)	FLSTC
24	59924-80B	FENDER (prime)	FXST, FXSTB, FXSTC

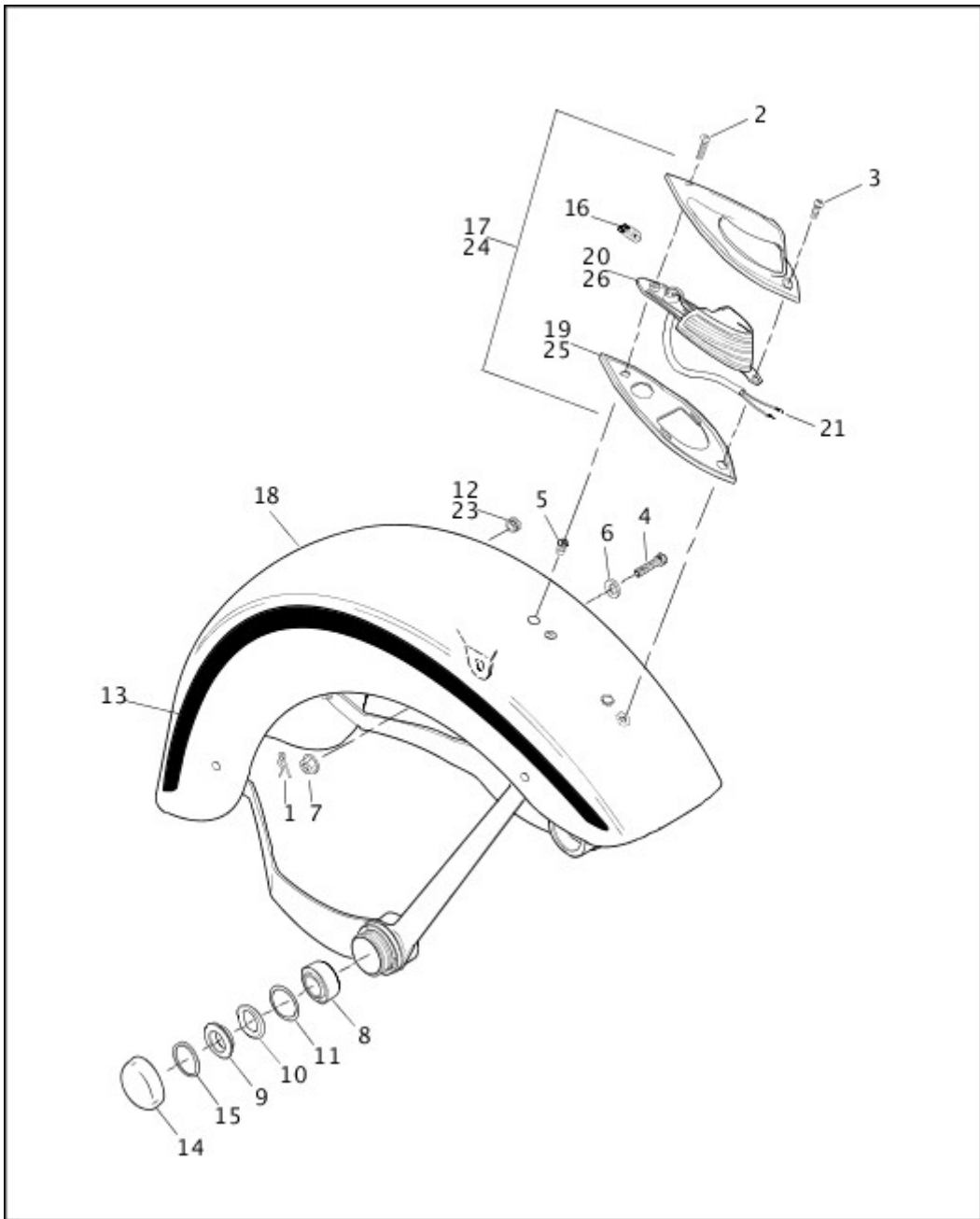
## [FRONT FENDER - FXSTS](#)



[View interactive table](#)

INDEX NO.	PART NO.	DESCRIPTION	MODEL(S)
1	2723A	SCREW, shoulder (2)	FXSTS
6	33714-90B	BEARING	FXSTS

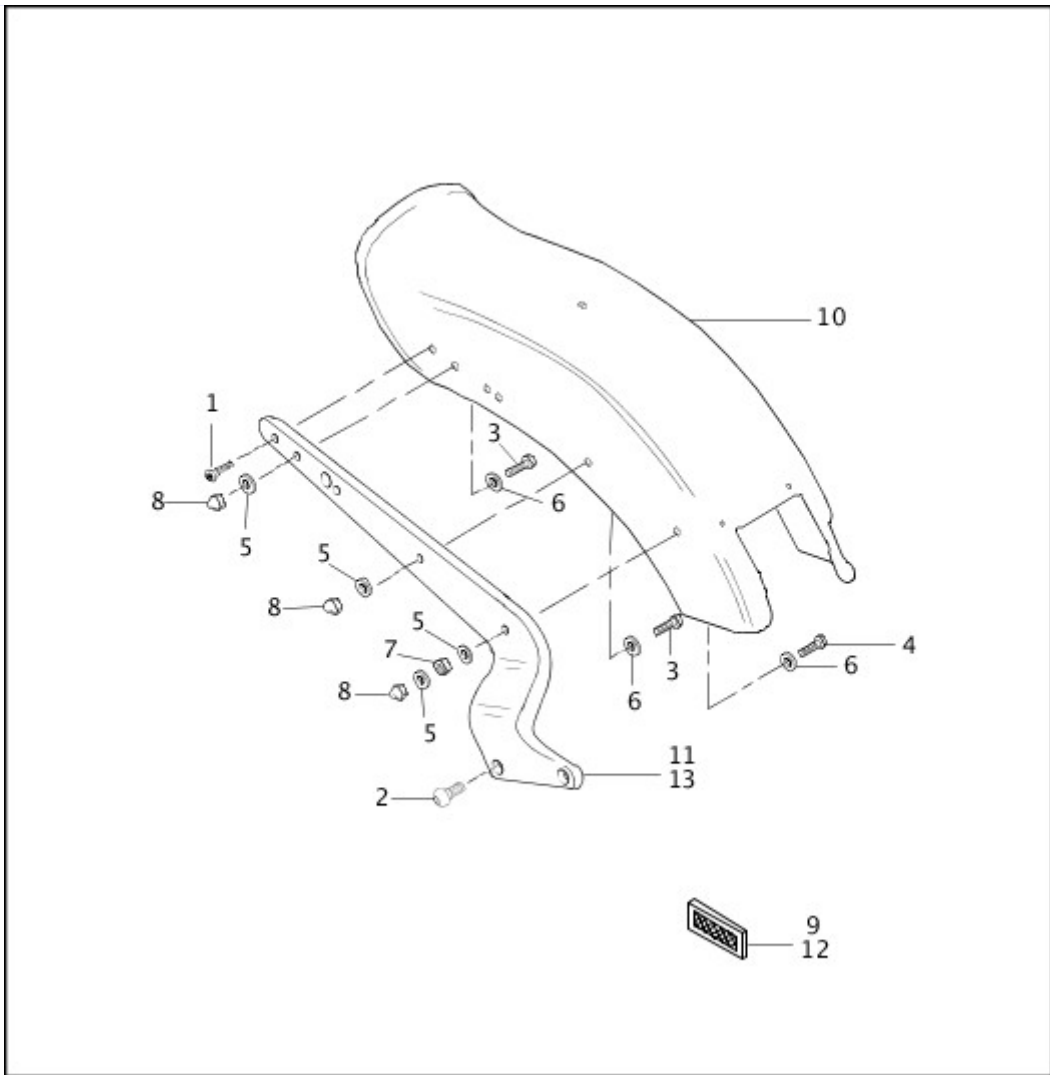
## [FRONT FENDER - FLSTS](#)



[View interactive table](#)

INDEX NO.	PART NO.	DESCRIPTION	MODEL(S)
13	13936-99	DECAL, front fender, left (silver)	FLSTS
	13937-99	DECAL, front fender, right (silver)	FLSTS
	13942-99	DECAL, front fender, left (black)	FLSTS
	13943-99	DECAL, front fender, right (black)	FLSTS
	13948-99	DECAL, front fender, left (gray)	FLSTS
	13949-99	DECAL, front fender, right (gray)	FLSTS
18	59164-97A	FENDER (prime)	FLSTS

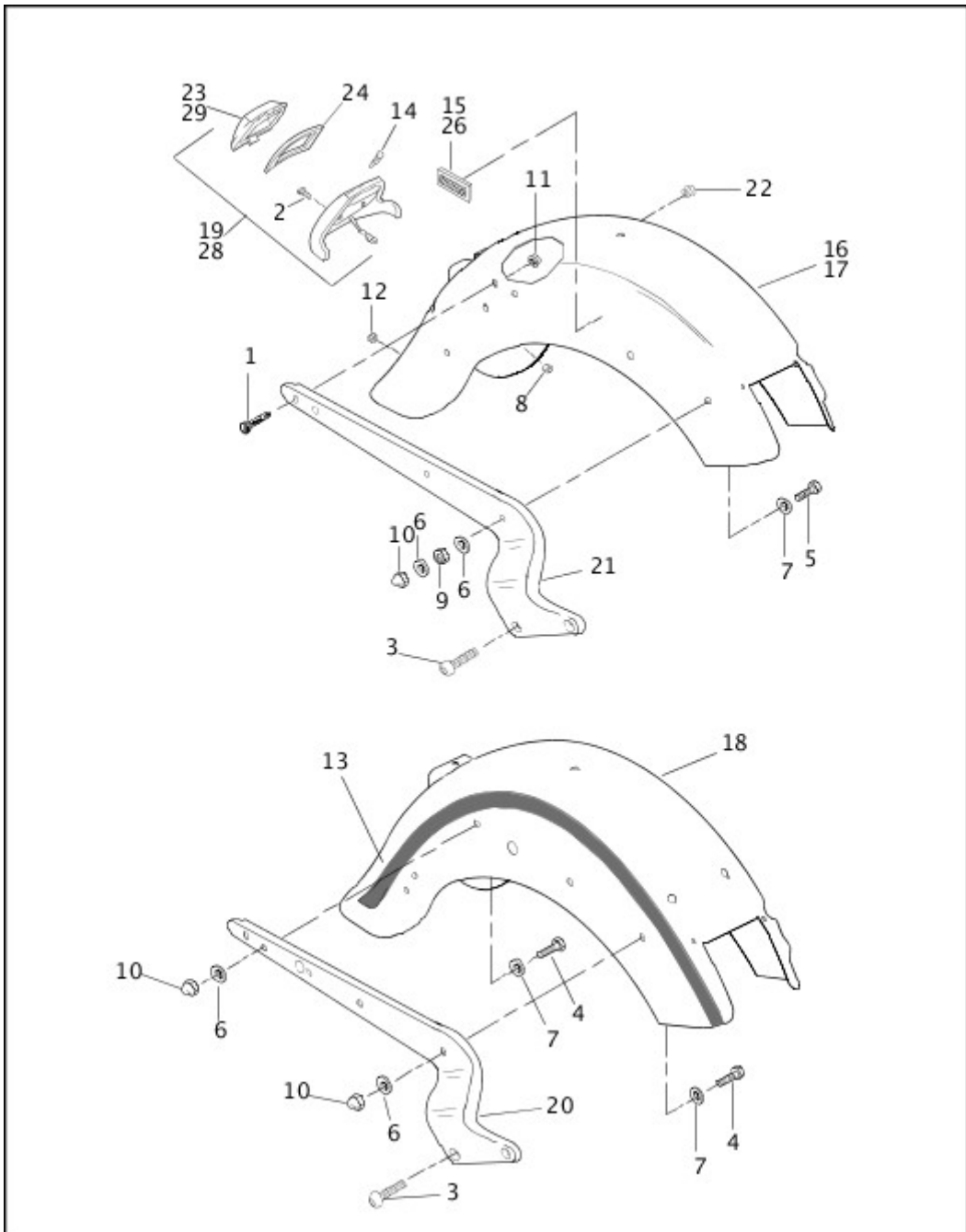
## [REAR FENDER & SUPPORTS - FXST, FXSTC, FXSTS & FXSTB](#)



View interactive table

INDEX NO.	PART NO.	DESCRIPTION	MODEL(S)
2	94605-98	SCREW (4)	FXST, FXSTB, FXSTC, FXSTS
	60058-99	SUPPORT, right (use 59955-86A) (black wrinkle)	FXSTB
	60059-99	SUPPORT, left (use 59954-86A) (black wrinkle)	FXSTB

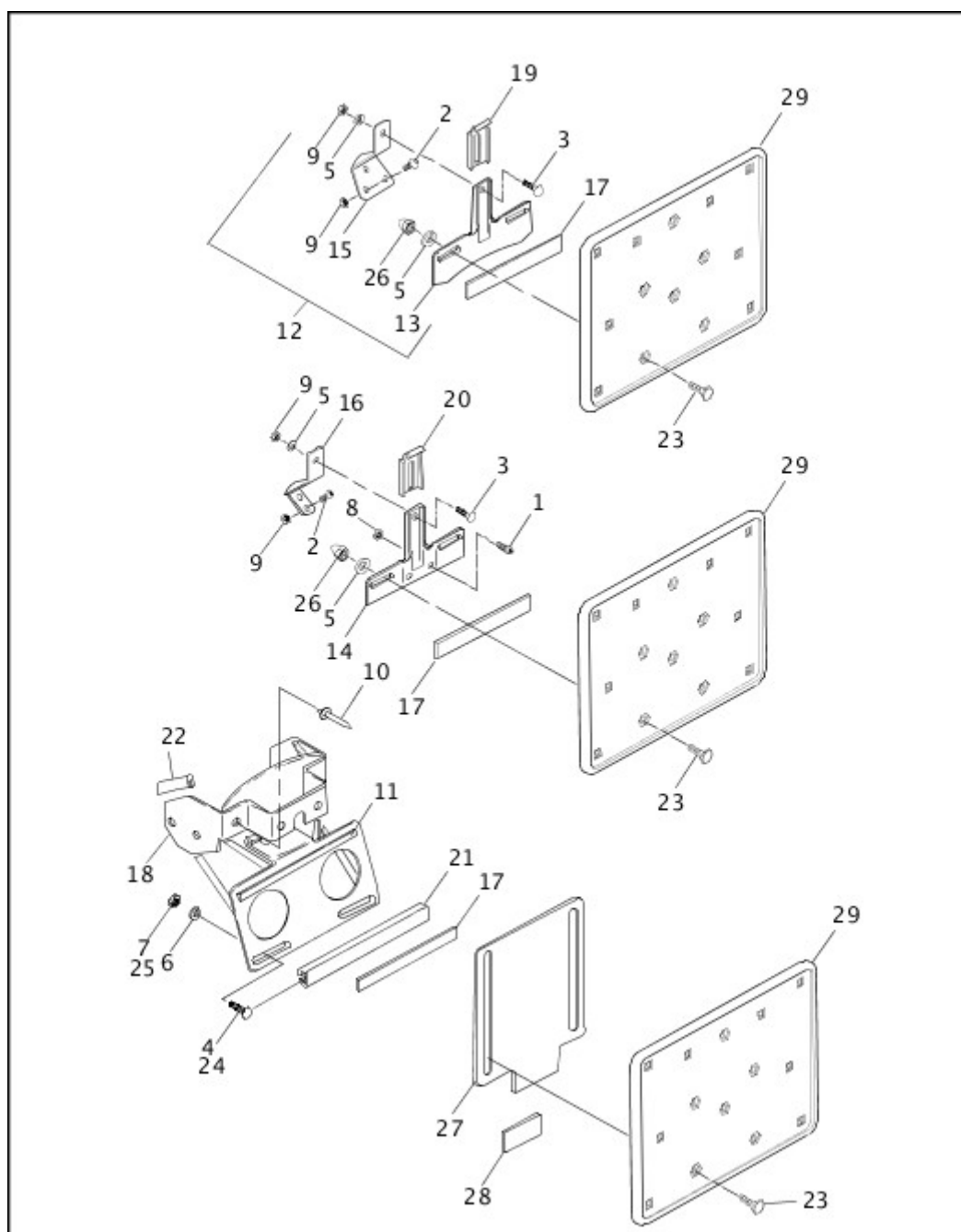
**REAR FENDER & SUPPORTS - FLSTC, FLSTF & FLSTS**



[View interactive table](#)

INDEX NO.	PART NO.	DESCRIPTION	MODEL(S)
3	94605-98	SCREW (4)	FLSTC, FLSTF, FLSTS
13	13934-99	DECAL, rear fender, LH (silver)	FLSTS
	13935-99	DECAL, rear fender, RH (silver)	FLSTS
	13940-99	DECAL, rear fender, LH (black)	FLSTS
	13941-99	DECAL, rear fender, RH (black)	FLSTS
	13946-99	DECAL, rear fender, LH (gray)	FLSTS
	13947-99	DECAL, rear fender, RH (gray)	FLSTS

## LICENSE PLATE BRACKETS

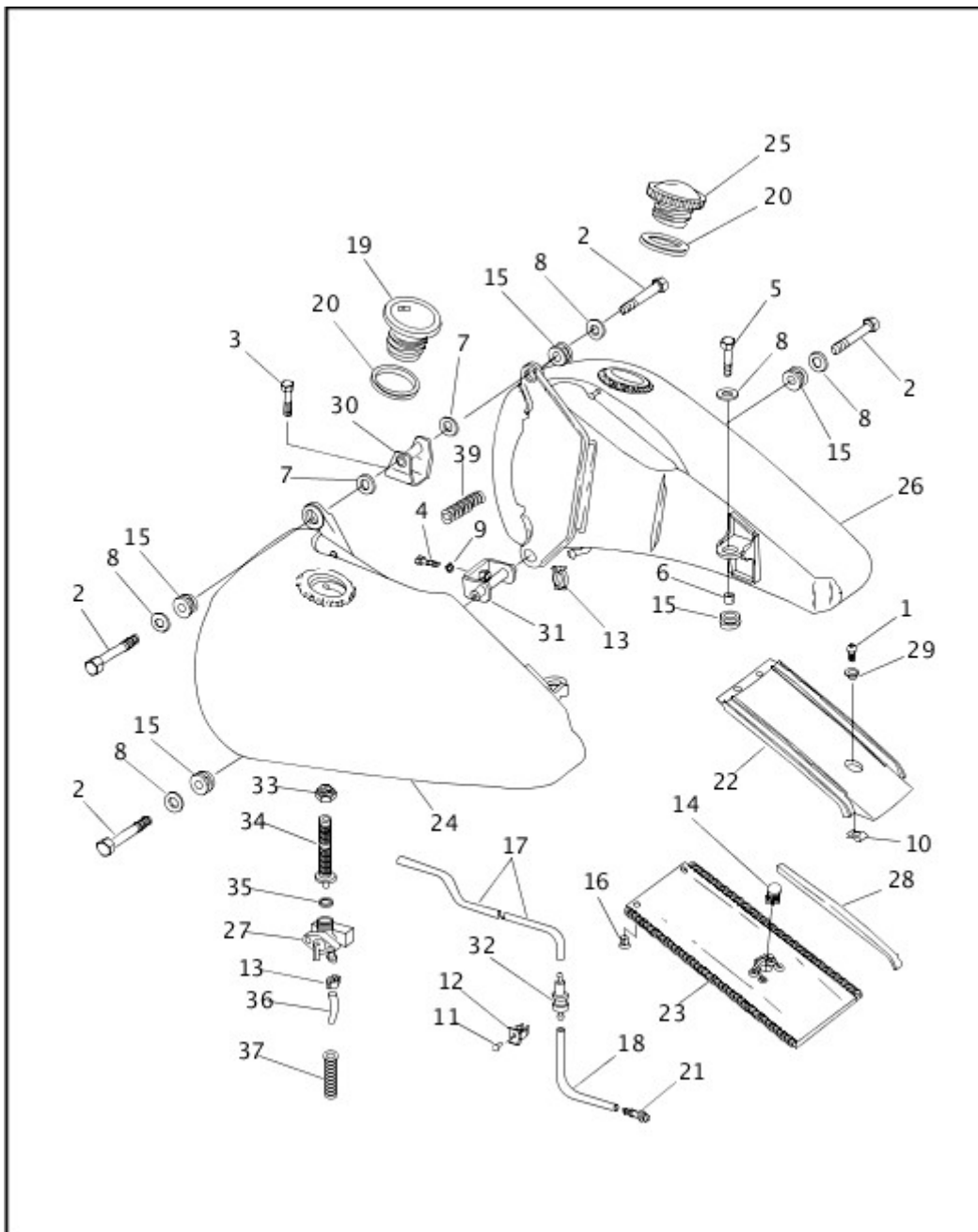


[View interactive table](#)

INDEX NO.	PART NO.	DESCRIPTION	MODEL(S)
17	59988-72A	REFLECTOR	ALL
22	61648-85	MOULDING (2)	FXST, FXSTB, FXSTC, FXSTS

## FUEL TANK

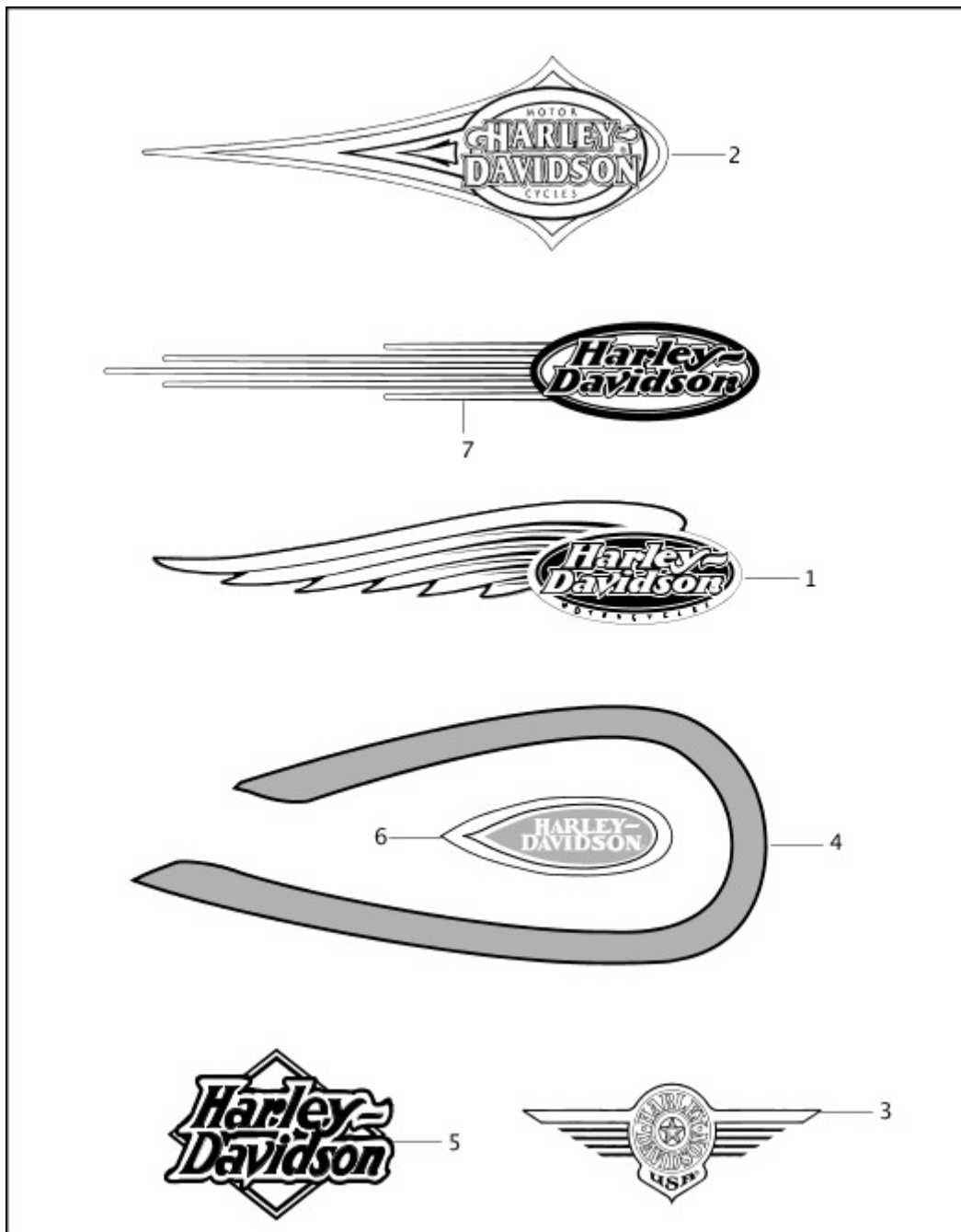




[View interactive table](#)

INDEX NO.	PART NO.	DESCRIPTION	MODEL(S)
3	94331-91T	BOLT	ALL
	60993-99	TRIM PANEL, w/ 10040 & 11717 (black)	FLSTS
25	61272-92C	CAP, fuel filler, right	ALL
27	61338-94D	FUEL VALVE, only	ALL
33	62161-02	NUT, fuel valve	ALL
35	62172-02	GASKET, fuel valve	ALL
39	62555-95	INSULATOR, 1/2 inch I.D. (nylon) (8 feet)	ALL

## FUEL TANK TRIM

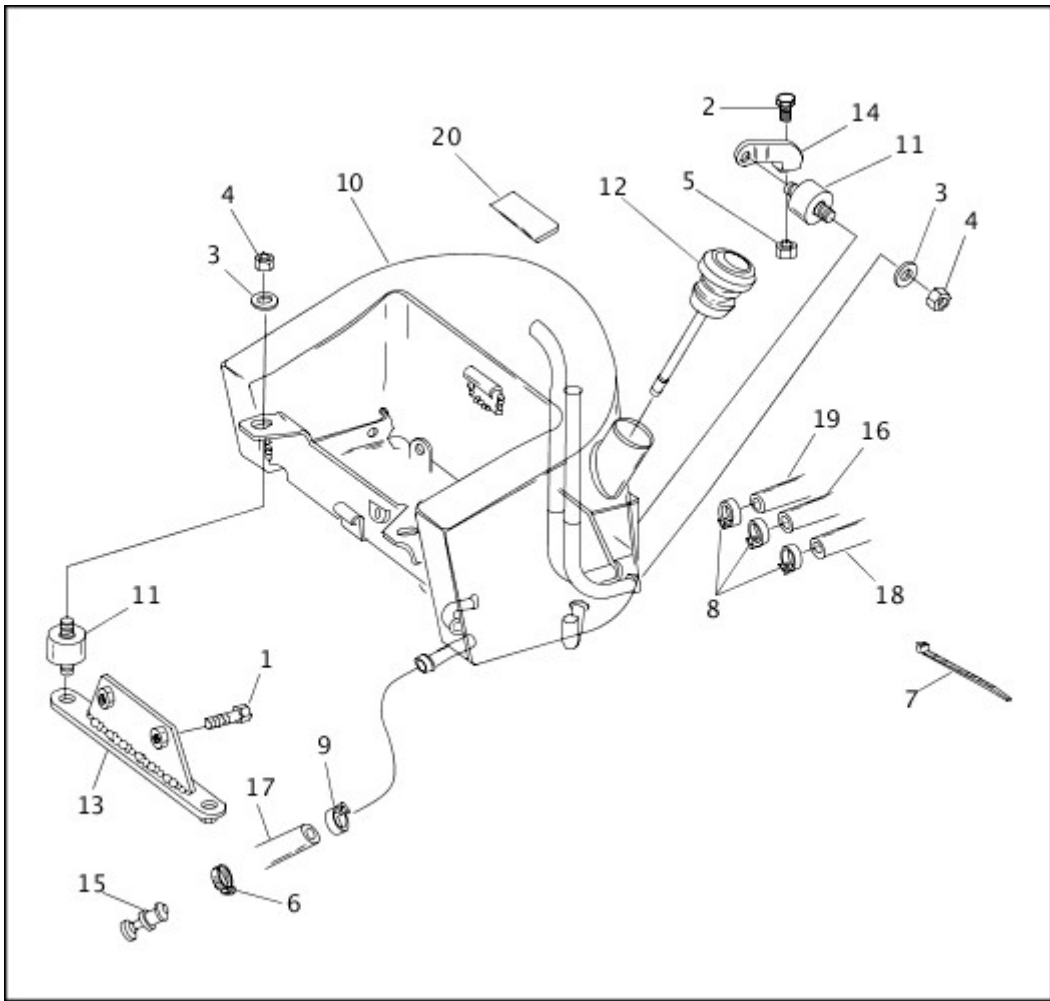


[View interactive table](#)

INDEX NO.	PART NO.	DESCRIPTION	MODEL(S)
1	13914-99	DECAL, left (burgundy/medium silver/red)	FXSTC, FXSTS
	13915-99	DECAL, right (burgundy/medium silver/red)	FXSTC, FXSTS
	13916-99	DECAL, left (burgundy/bright gold/red)	FXSTC, FXSTS
	13917-99	DECAL, right (burgundy/bright gold/red)	FXSTC, FXSTS
	13918-99	DECAL, left (dark blue/medium silver/blue)	FXSTC, FXSTS
	13919-99	DECAL, right (dark blue/medium silver/blue)	FXSTC, FXSTS

INDEX NO.	PART NO.	DESCRIPTION	MODEL(S)
2	13920-99	DECAL, left (medium silver/red/burgundy)	FLSTC
	13921-99	DECAL, right (medium silver/red/burgundy)	FLSTC
	13922-99	DECAL, left (bright gold/red/burgundy)	FLSTC
	13923-99	DECAL, right (bright gold/red/burgundy)	FLSTC
	13924-99	DECAL, left (medium silver/blue/dark blue)	FLSTC
	13925-99	DECAL, right (medium silver/blue/dark blue)	FLSTC
3	13926-99	DECAL (medium silver/red/burgundy) (2)	FLSTF
	13927-99	DECAL (bright gold/red/burgundy) (2)	FLSTF
	13928-99	DECAL (medium silver/blue/dark blue) (2)	FLSTF
4	13932-99	DECAL, left (silver)	FLSTS
	13933-99	DECAL, right (silver)	FLSTS
	13938-99	DECAL, left (black)	FLSTS
	13939-99	DECAL, right (black)	FLSTS
	13944-99	DECAL, left (gray)	FLSTS
	13945-99	DECAL, right (gray)	FLSTS
6	61814-99	EMBLEM, left (burgundy)	FLSTS
	61815-99	EMBLEM, right (burgundy)	FLSTS
	61816-99	EMBLEM, left (dark blue)	FLSTS
	61817-99	EMBLEM, right (dark blue)	FLSTS

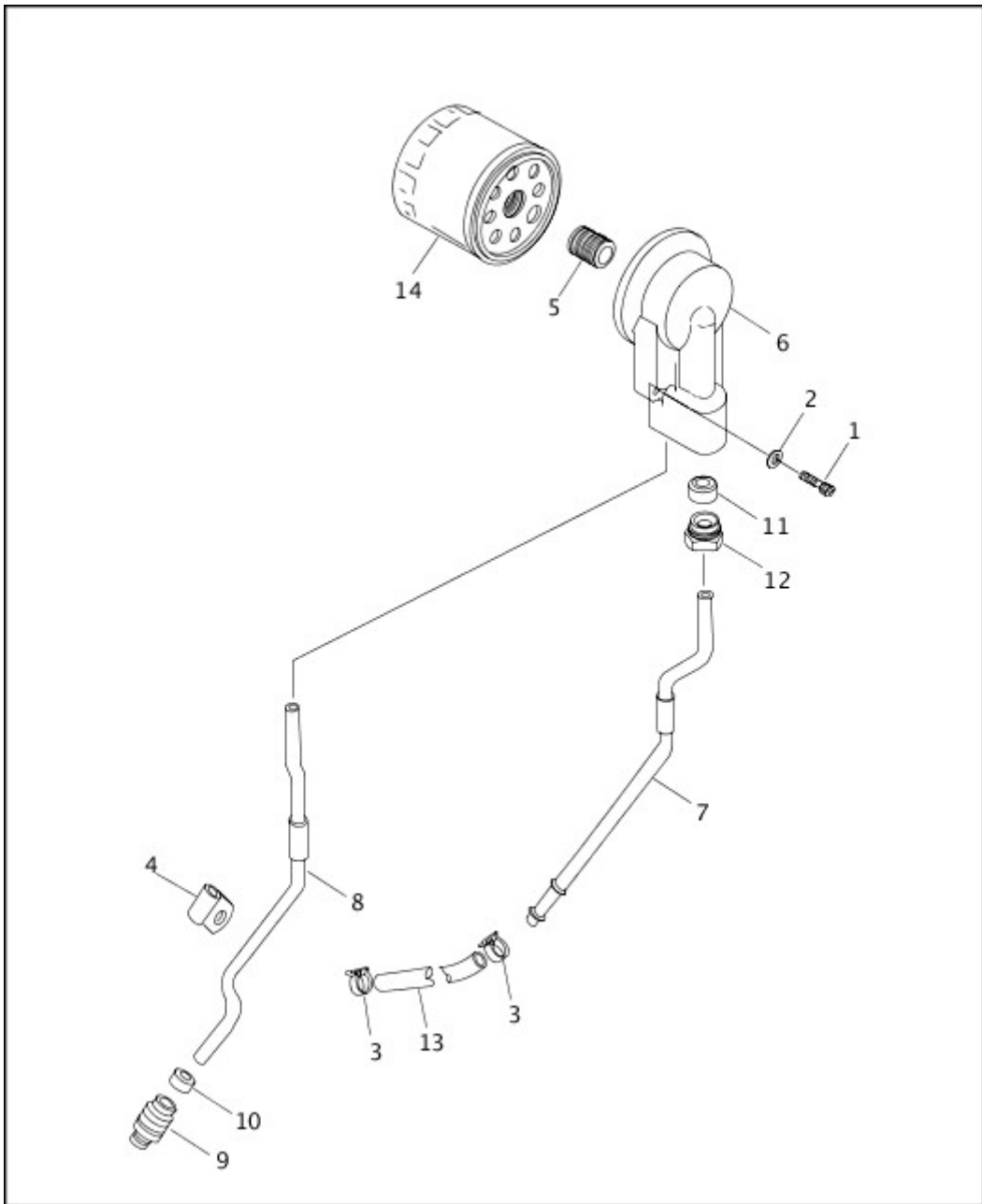
## OIL TANK



[View interactive table](#)

INDEX NO.	PART NO.	DESCRIPTION	MODEL(S)
20	15368-01A	WARNING LABEL	ALL

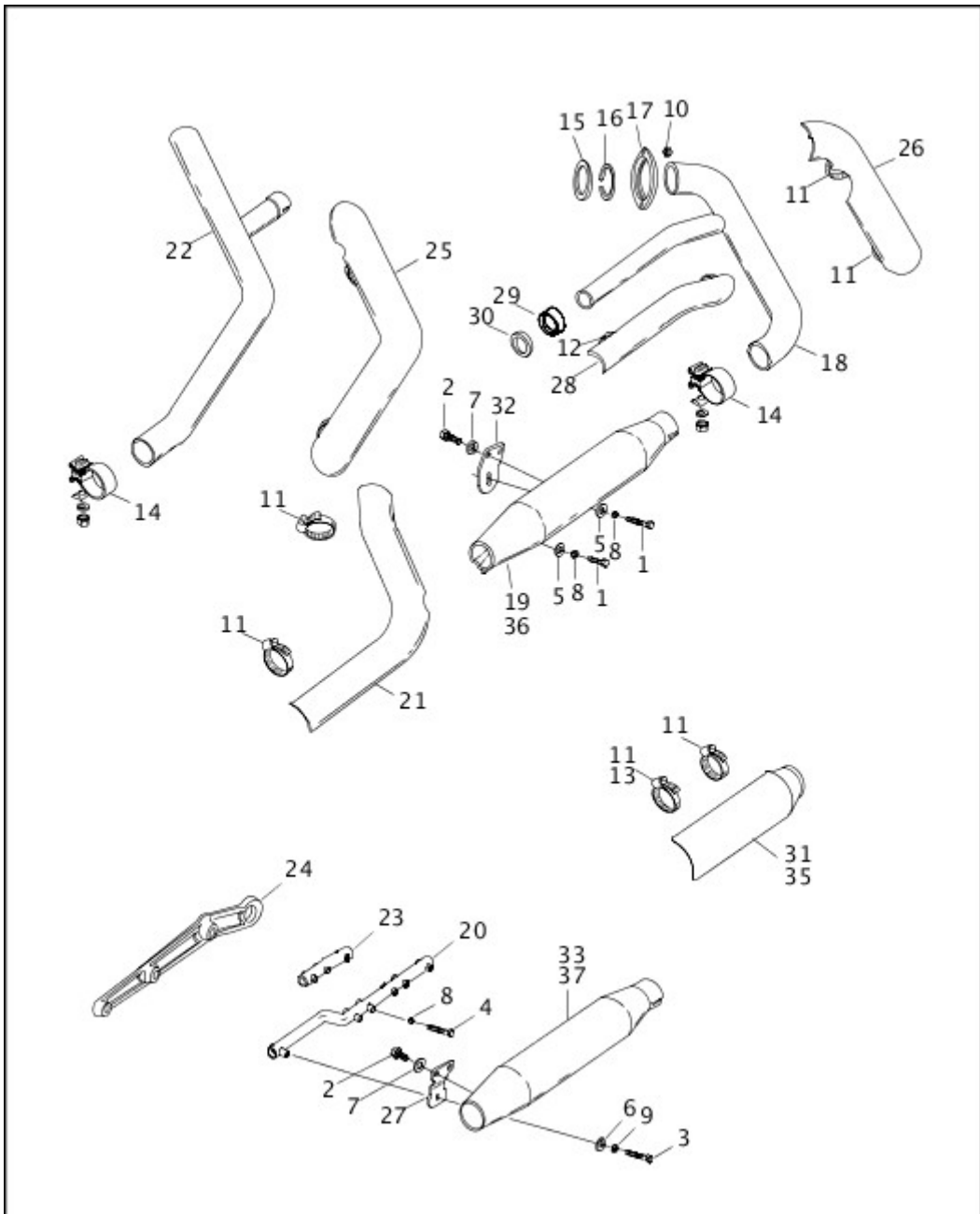
## [OIL FILTER & MOUNT](#)



[View interactive table](#)

INDEX NO.	PART NO.	DESCRIPTION	MODEL(S)
14	63798-99A	OIL FILTER (chrome)	FLSTC, FLSTF, FLSTS, FXST, FXSTC, FXSTS
	63731-99A	OIL FILTER (black)	FXSTB

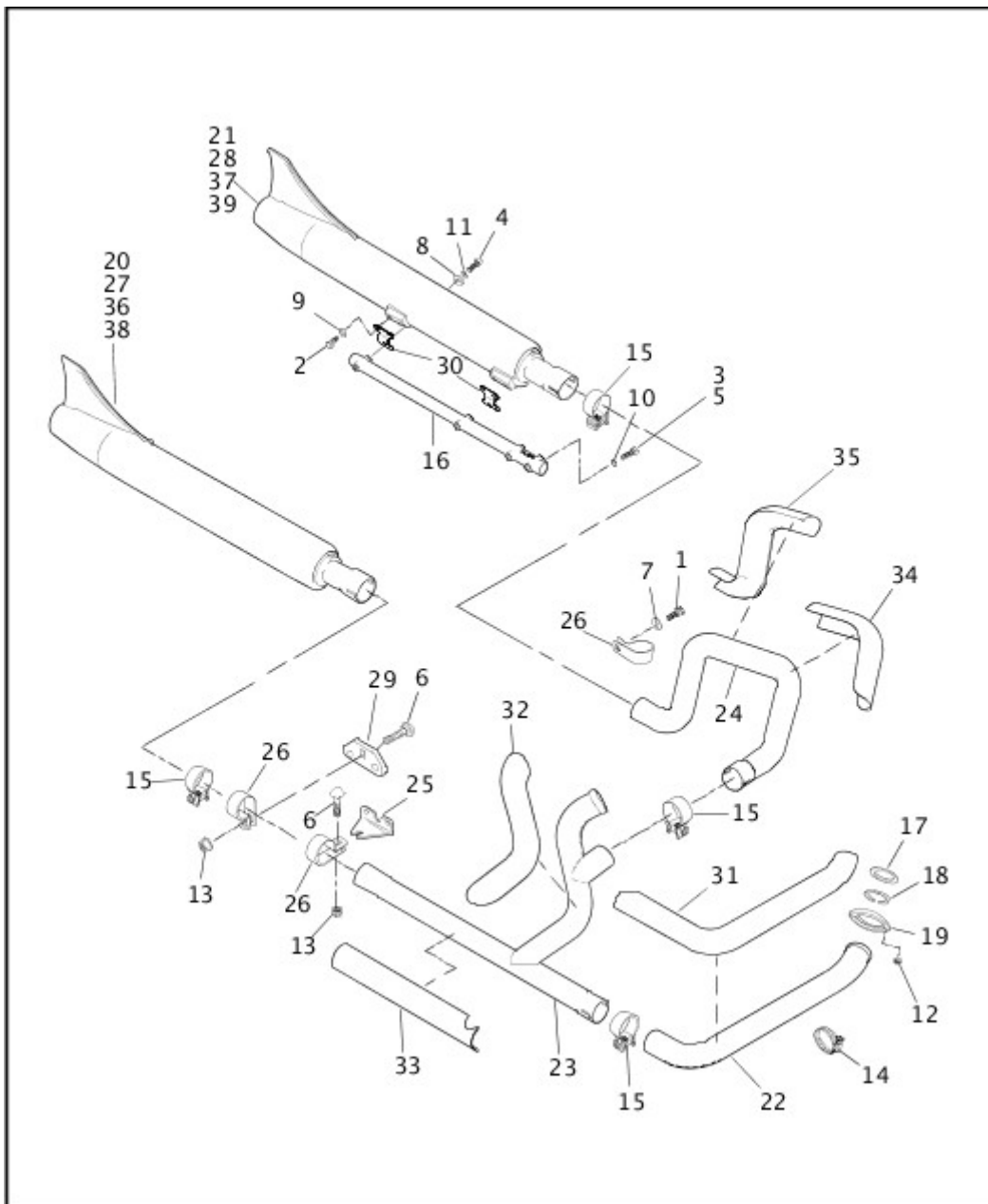
## [EXHAUST SYSTEM \(1 OF 2\)](#)



[View interactive table](#)

INDEX NO.	PART NO.	DESCRIPTION	MODEL(S)
12	9955	CLAMP (2)	FXSTC, FXSTS
14	65296-95A	CLAMP, muffler (2)	FLSTC, FLSTF, FXST, FXSTB, FXSTC, FXSTS
15	65324-83B	GASKET, exhaust port	FLSTC, FLSTF, FXST, FXSTB, FXSTC, FXSTS
17	65328-83A	CLAMP, exhaust manifold (2)	FLSTC, FLSTF, FXST, FXSTB, FXSTC, FXSTS

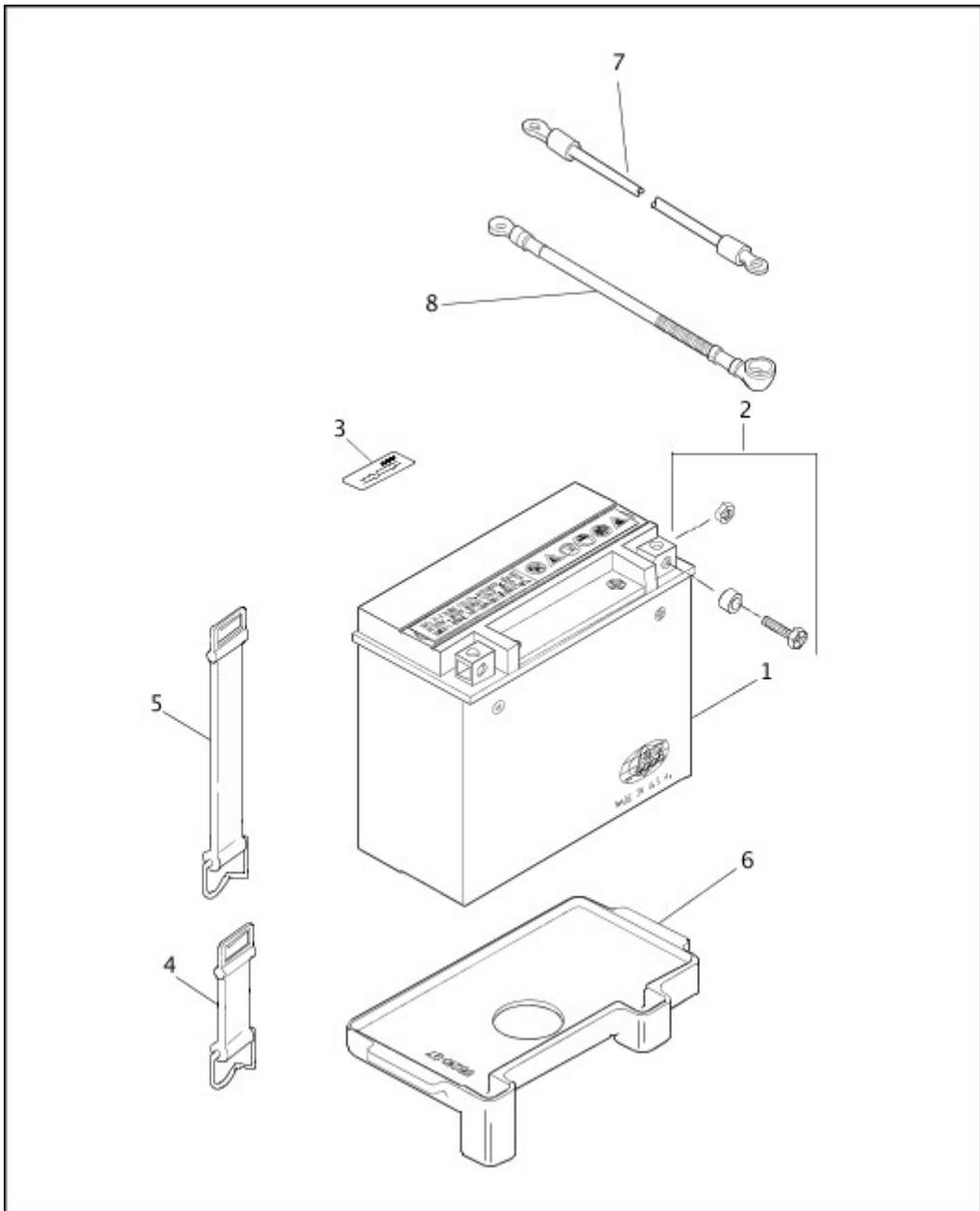
## [EXHAUST SYSTEM - FLSTS](#)



[View interactive table](#)

INDEX NO.	PART NO.	DESCRIPTION	MODEL(S)
15	65296-95A	CLAMP, muffler (4)	FLSTS
17	65324-83B	GASKET, exhaust port	FLSTS
19	65328-83A	CLAMP, exhaust manifold (2)	FLSTS
31	65907-97A	HEAT SHIELD, front	FLSTS

## BATTERY

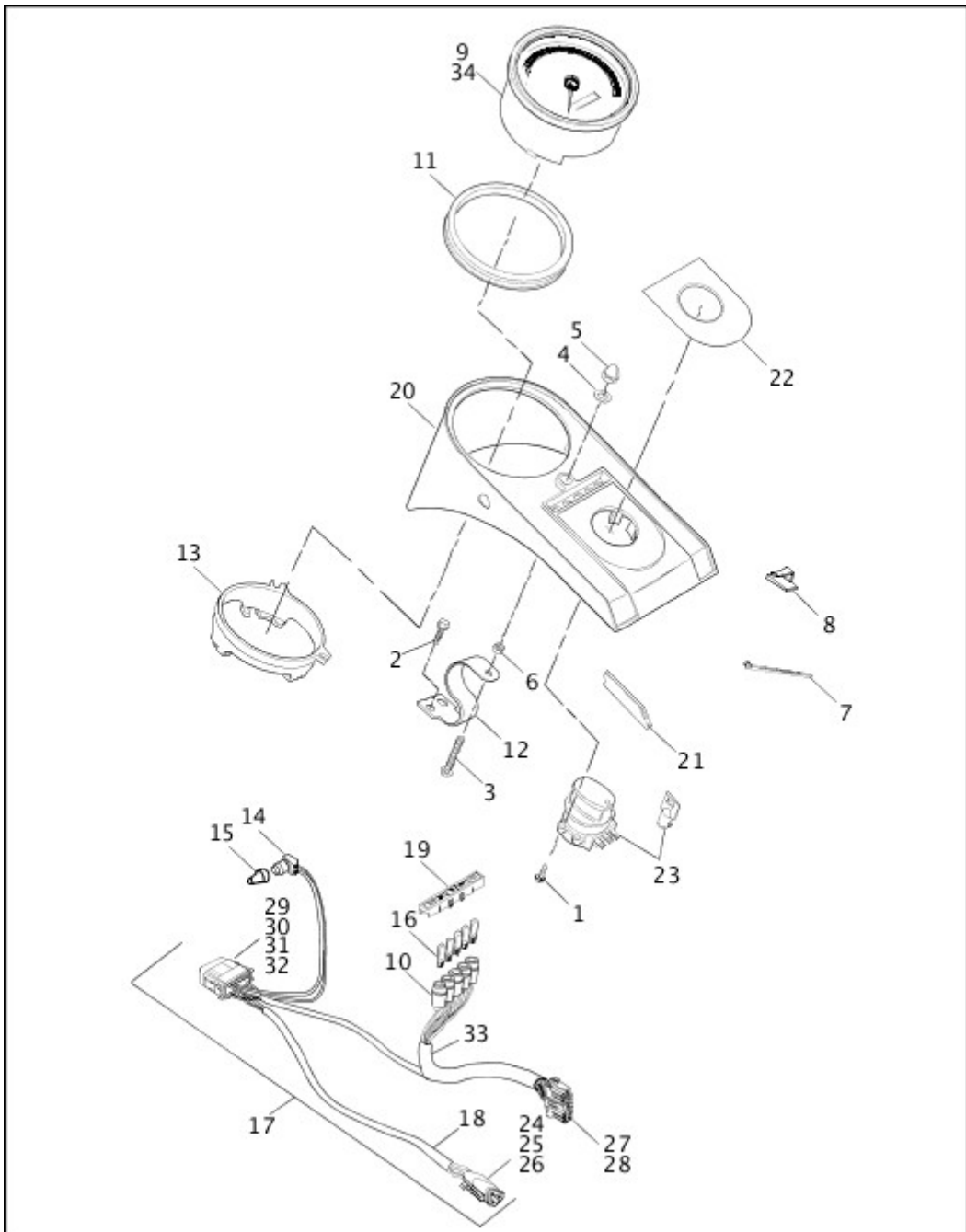


[View interactive table](#)

INDEX NO.	PART NO.	DESCRIPTION	MODEL(S)
1	65989-97C	BATTERY, w/ terminal kit	ALL
3	15368-01A	WARNING LABEL	ALL
7	70060-92B	CABLE ASSEMBLY, battery negative	ALL

## [INSTRUMENTS](#)

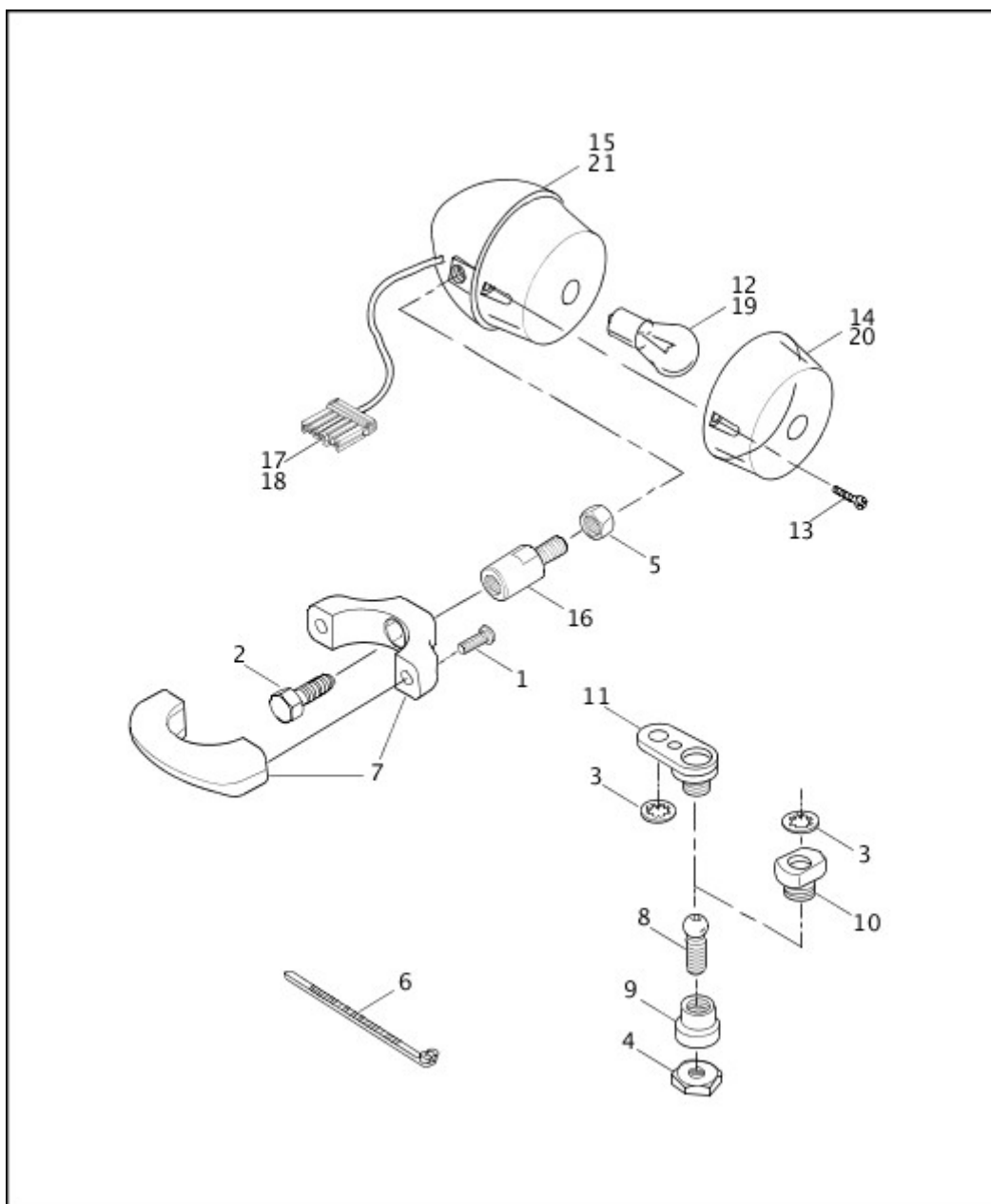




[View interactive table](#)

INDEX NO.	PART NO.	DESCRIPTION	MODEL(S)
9	67027-99A	SPEEDOMETER, mph	ALL
13	67271-99	BACK CLAMP	ALL
17	68743-99	WIRING HARNESS, instruments	ALL
20	71255-96	INSTRUMENT PANEL, black	FXSTB
22	71302-93A	NAMEPLATE, ignition switch	ALL
23	71313-96A	IGNITION SWITCH, w/ keys	ALL
34	67030-99A	SPEEDOMETER, kph	ALL
	67282-99A	SPEEDOMETER, mph/kph	ALL

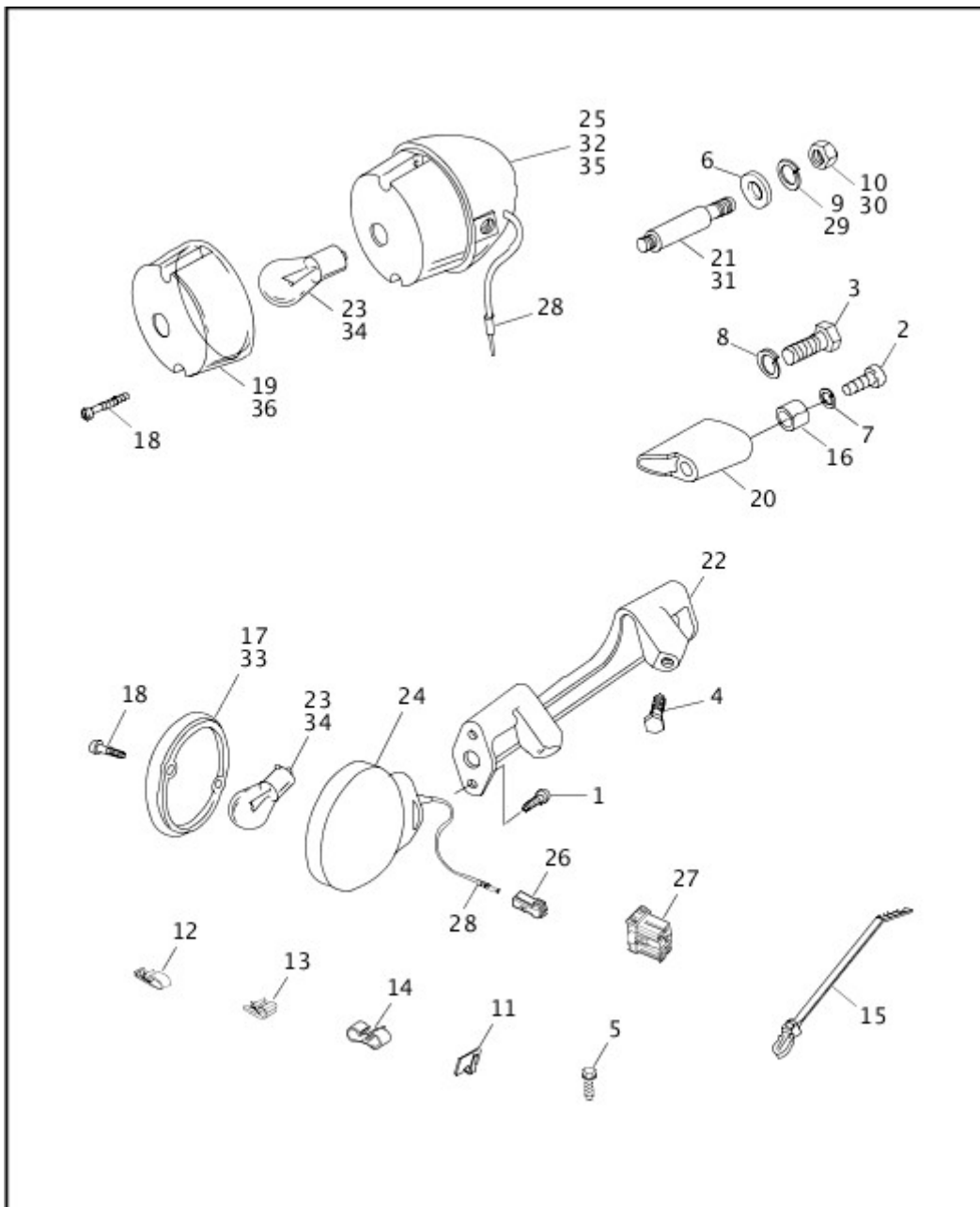
## FRONT TURN SIGNALS



[View interactive table](#)

INDEX NO.	PART NO.	DESCRIPTION	MODEL(S)
12	68168-89A	BULB, front turn signals (2)	FLSTF, FLSTS, FXST, FXSTC, FXSTS

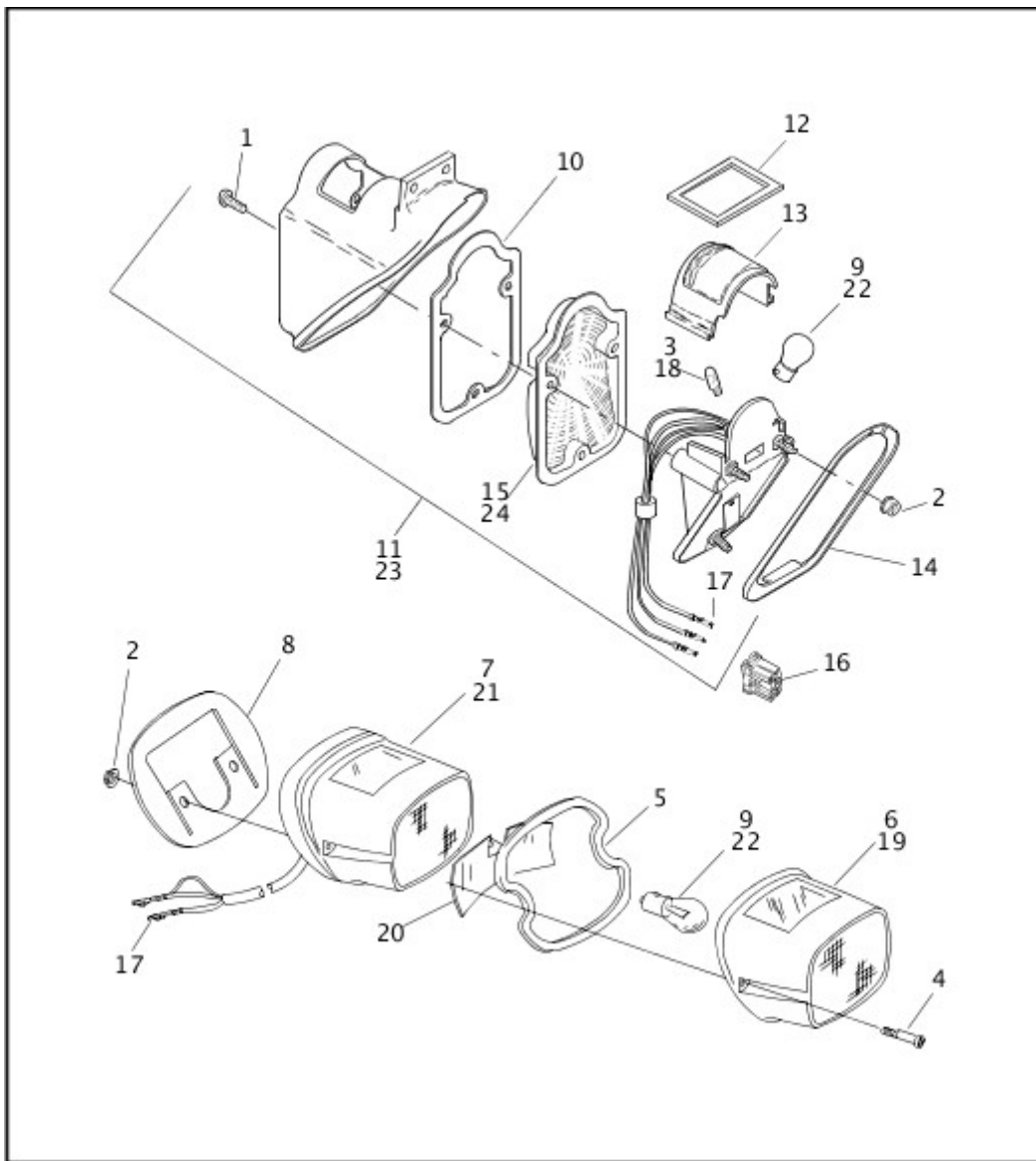
## REAR TURN SIGNALS



[View interactive table](#)

INDEX NO.	PART NO.	DESCRIPTION	MODEL(S)
24	68713-94A	LAMP, w/ wire, rear (amber) (2)	FLSTC
35	68765-94A	LAMP, w/ wire, rear (amber) (HDI) (2)	FLSTC
36	68507-90	LENS, rear turn signal (HDI) (2)	FLSTF, FLSTS, FXST, FXSTB, FXSTC, FXSTS

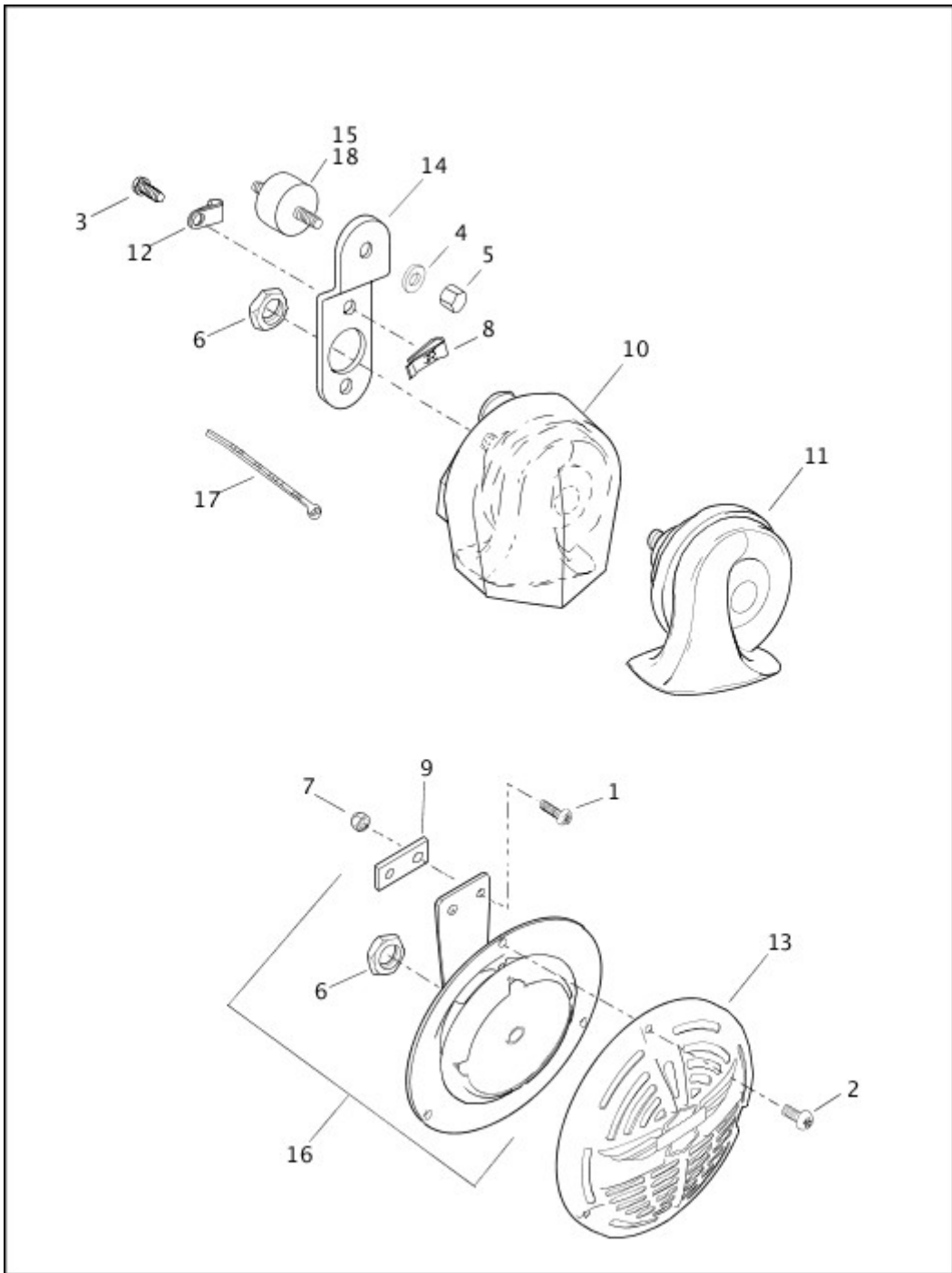
## [TAIL LAMP](#)



[View interactive table](#)

INDEX NO.	PART NO.	DESCRIPTION	MODEL(S)
9	68168-89A	BULB, tail lamp	ALL
22	68169-90A	BULB, tail lamp (HDI)	ALL

## [HORN](#)

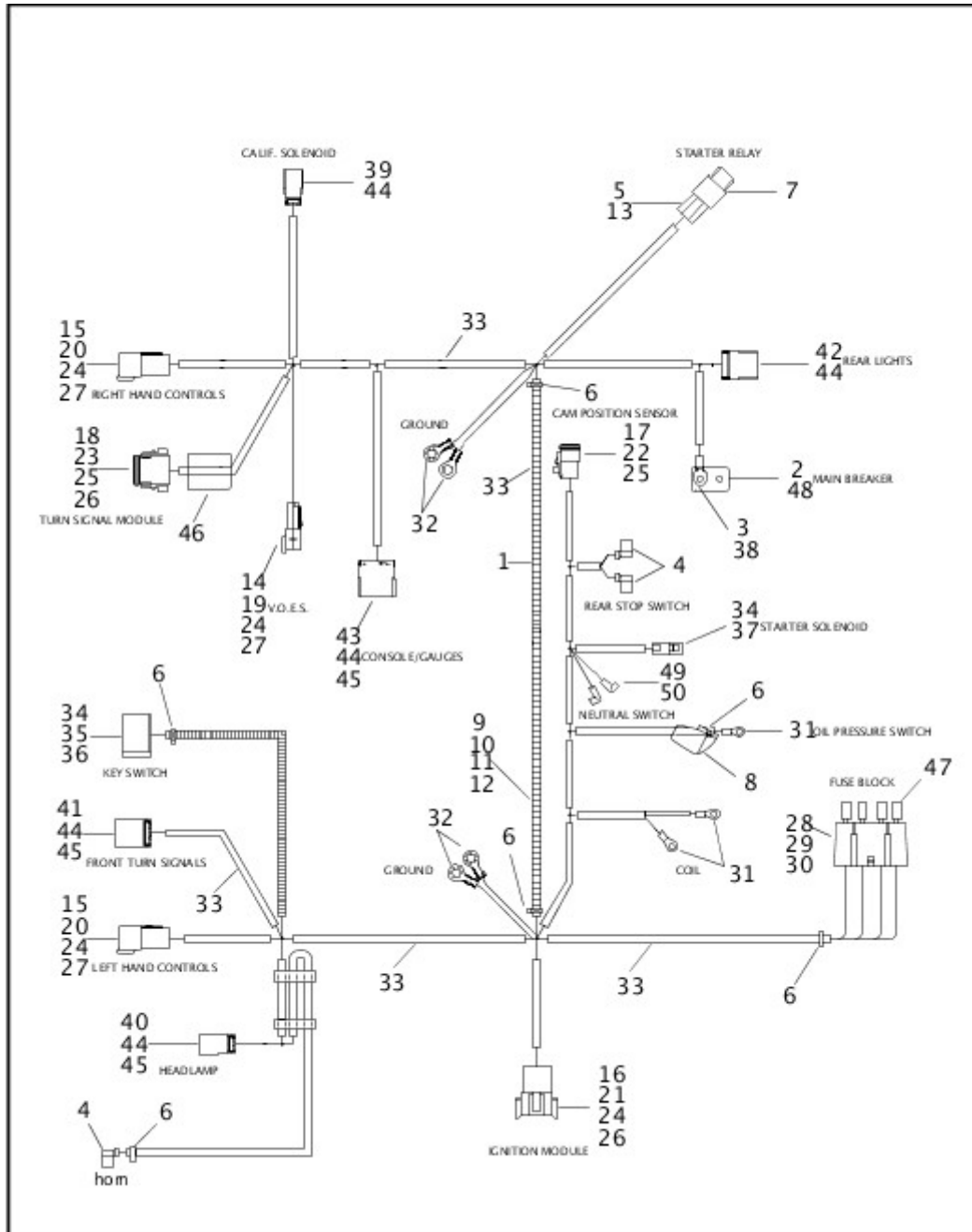


[View interactive table](#)

INDEX NO.	PART NO.	DESCRIPTION	MODEL(S)
2	32617-00Y	SCREW (3)	FLSTS
	69039-09	COVER, horn (black wrinkle)	FXSTB
11	69060-90F	HORN ASSEMBLY, w/ 7495 (use 69060-90F)	FLSTC, FLSTF, FXST, FXSTB, FXSTC, FXSTS
	69060-90F	HORN ASSEMBLY, w/ 69152-01A (replaces 69060-90C)	FLSTC, FLSTF, FXST, FXSTB, FXSTC, FXSTS
	69152-01A	BRACKET, horn (used w/ 69060-90F)	FLSTC, FLSTF, FXST, FXSTB, FXSTC, FXSTS

INDEX NO.	PART NO.	DESCRIPTION	MODEL(S)
15	69123-92A	MOUNT, horn (rubber)	FLSTC, FLSTF, FXST, FXSTB, FXSTC, FXSTS

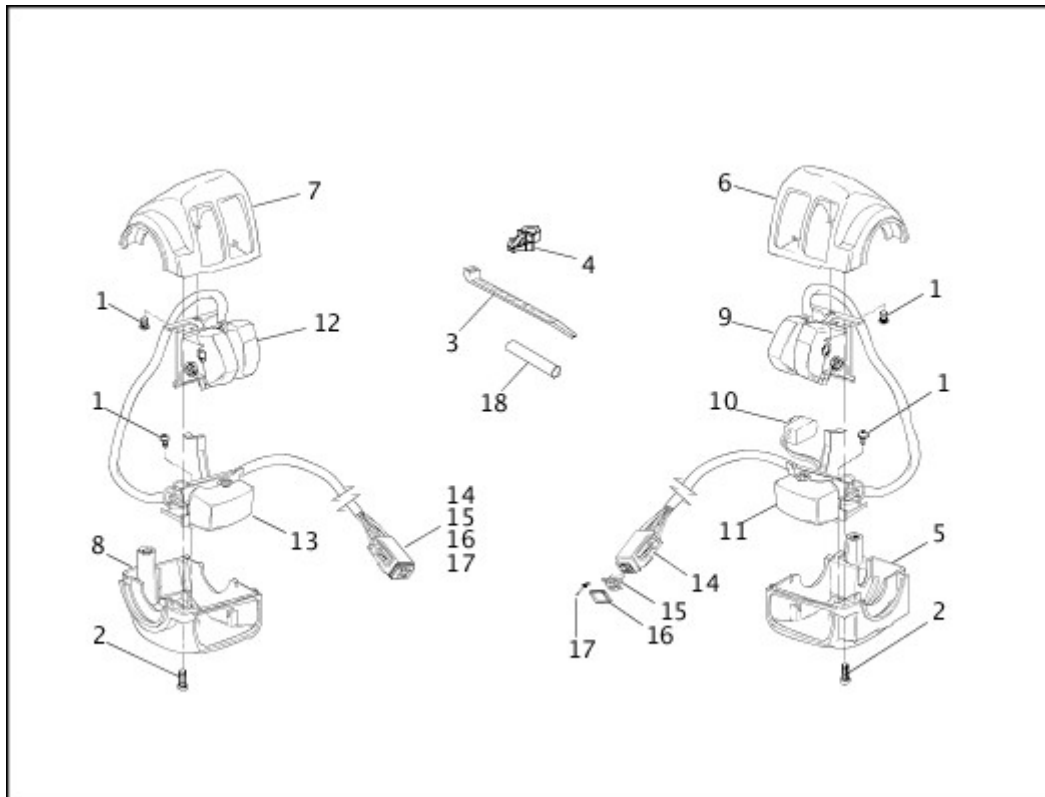
## WIRING HARNESS, MAIN



View interactive table

INDEX NO.	PART NO.	DESCRIPTION	MODEL(S)
7	31504-91B	RELAY, w/ diode (starter)	ALL
31	72241-94A	TERMINAL, #10 ring 18-20 gauge (3)	ALL

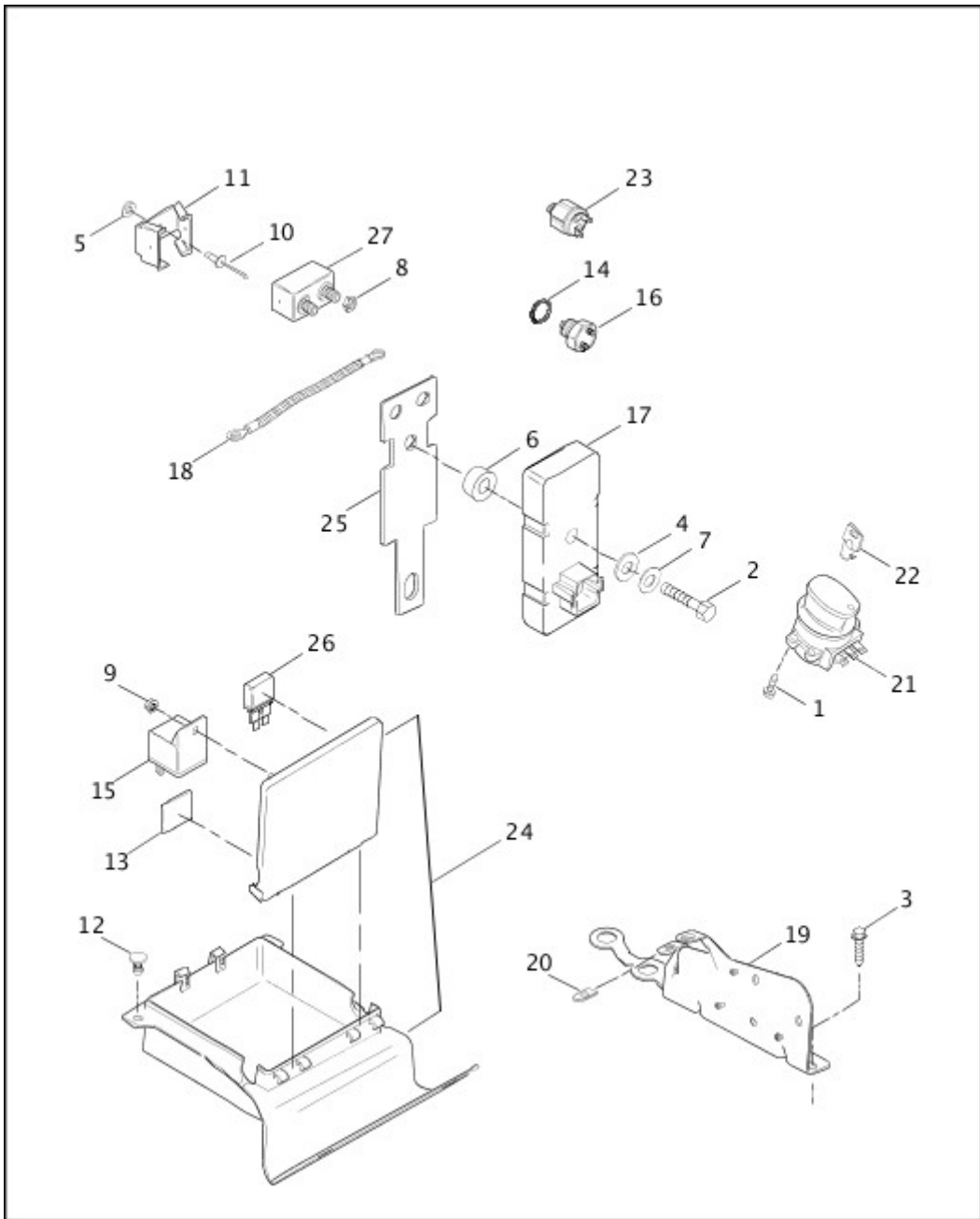
## HANDLEBAR SWITCHES



View interactive table

INDEX NO.	PART NO.	DESCRIPTION	MODEL(S)
8	71568-96A	HOUSING, lower, left	ALL
9	71684-06A	SWITCH KIT, engine stop/start, w/ 10181 & 72266-94	ALL
10	71621-08	SWITCH KIT, front, stop lamp, w/ 10181 & 72266-94	ALL
11	71683-06A	SWITCH KIT, right turn signal, w/ 10181 & 72266-94	ALL
12	71682-06A	SWITCH KIT, dimmer & horn, w/ 10181 & 72266-94	ALL
13	71598-96A	SWITCH KIT, left turn signal, w/ 10181 & 72266-94	ALL

## SWITCHES & CIRCUIT BREAKERS

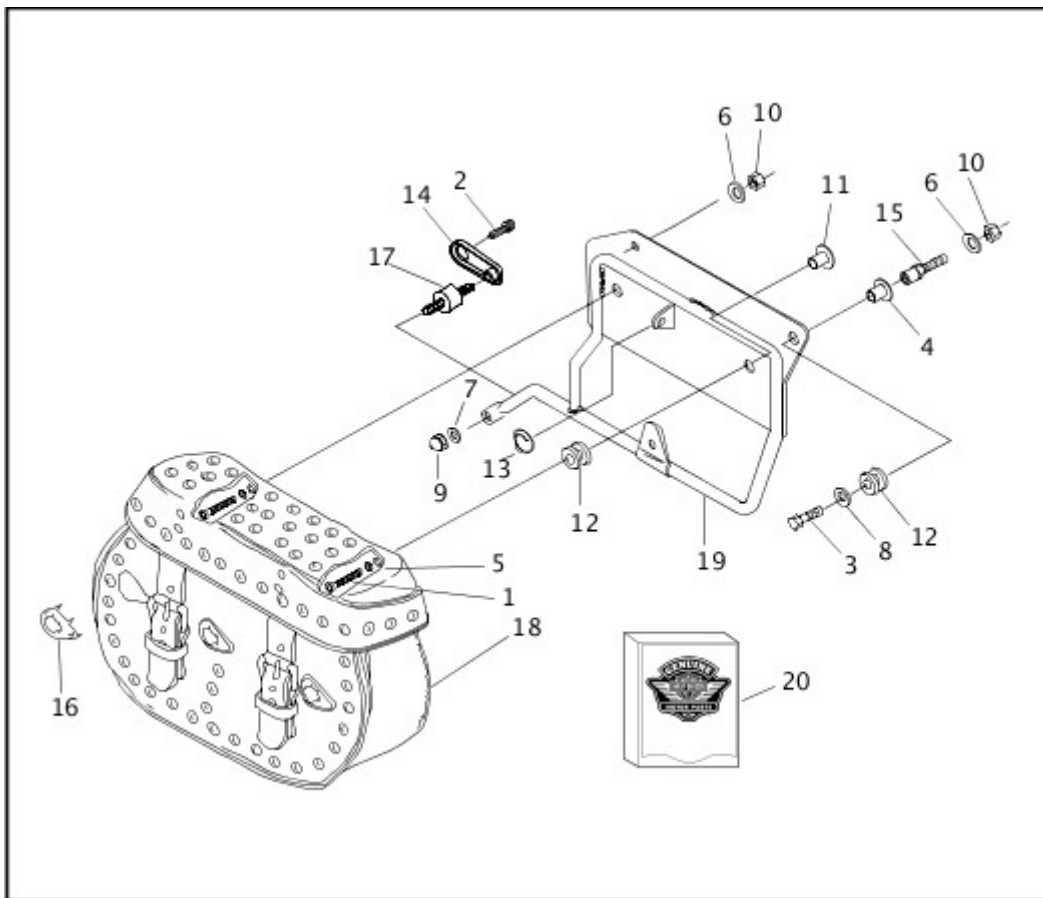


[View interactive table](#)

INDEX NO.	PART NO.	DESCRIPTION	MODEL(S)
4	6035A	WASHER, rubber	ALL
15	31504-91B	STARTER RELAY, w/ diode	ALL
16	33902-98A	SWITCH, neutral indicator, w/ O-ring	ALL
21	71313-96A	IGNITION SWITCH, w/ keys	ALL
23	72023-51E	STOP LAMP SWITCH, rear	ALL

## **SADDLEBAGS - FLSTC**

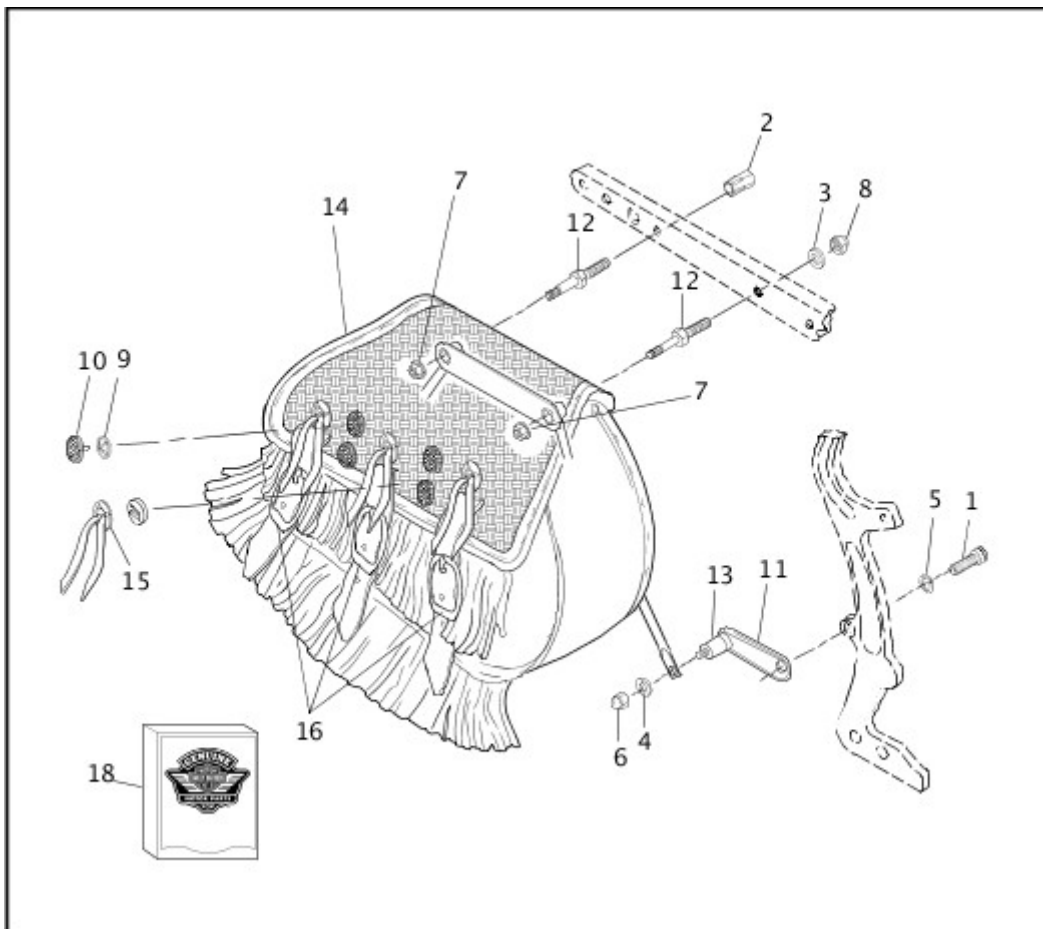




View interactive table

INDEX NO.	PART NO.	DESCRIPTION	MODEL(S)
15	90361-94A	SUPPORT, upper (4)	FLSTC
20	90438-10	SADDLEBAG STRAP REPAIR KIT	FLSTC

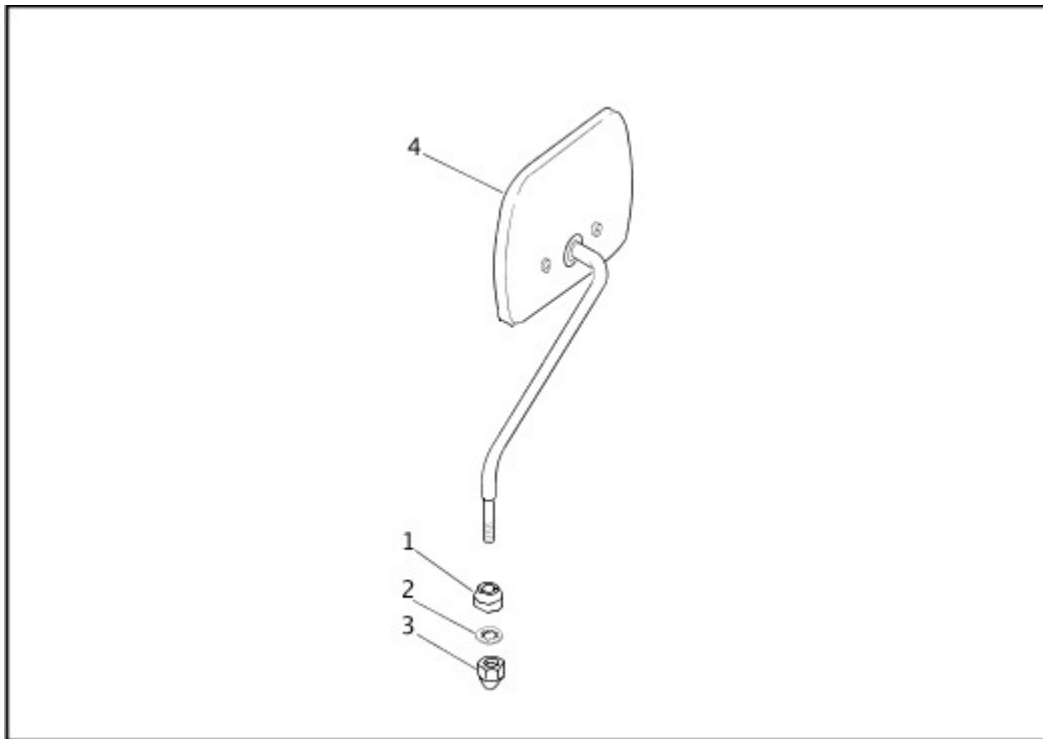
**SADDLEBAGS - FLSTS**



[View interactive table](#)

INDEX NO.	PART NO.	DESCRIPTION	MODEL(S)
14	91300-99A	SADDLEBAG, right (black trim)	FLSTS
	91299-99A	SADDLEBAG, left (black trim)	FLSTS
16	90291-03	BUCKLE ASSEMBLY, saddlebag (6)	FLSTS

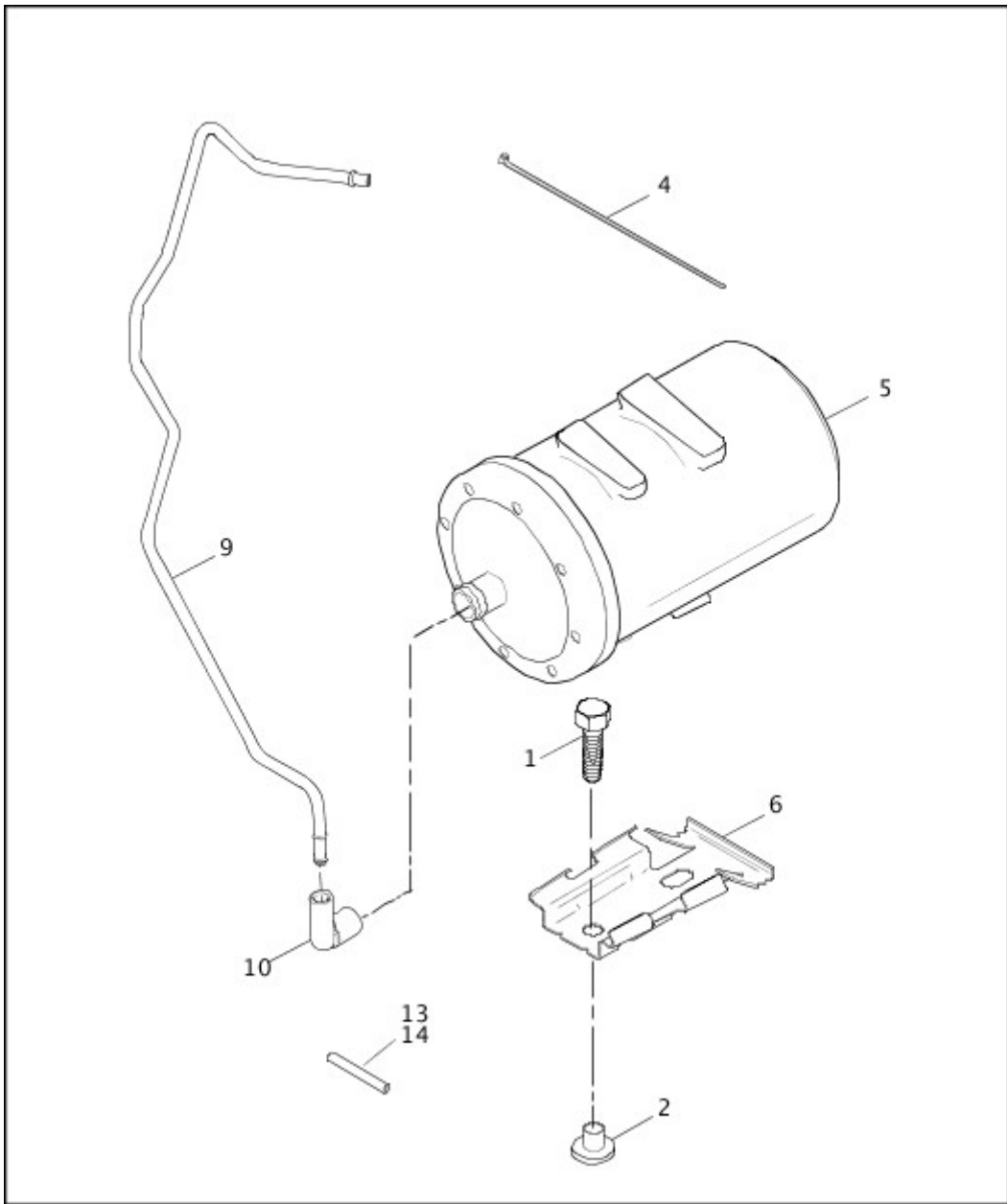
**MIRRORS**



[View interactive table](#)

INDEX NO.	PART NO.	DESCRIPTION	MODEL(S)
4	91875-88A	MIRROR KIT, short, right, convex	FLSTC, FLSTF, FLSTS, FXST, FXSTC, FXSTS
	91892-88A	MIRROR KIT, short, left, convex	FLSTC, FLSTF, FLSTS, FXST, FXSTC, FXSTS
	91909-90A	MIRROR KIT, short, right, convex (black)	FXSTB
	91910-90A	MIRROR KIT, short, left, convex (black)	FXSTB

**CALIFORNIA EVAPORATIVE EMISSIONS COMPONENTS**



View interactive table

INDEX NO.	PART NO.	DESCRIPTION	MODEL(S)
6	27047-84B	CANISTER BRACKET	ALL

Numerical Index

View interactive table

10006	<a href="#">AIR CLEANER &amp; ENRICHENER</a> <a href="#">ALTERNATOR &amp; REGULATOR</a> <a href="#">THROTTLE CONTROL</a> <a href="#">AUXILIARY/FOG LAMPS - FLSTC &amp; FLSTS, FRONT TURN SIGNALS - FLSTC (1 OF 2)</a> <a href="#">OIL TANK</a> <a href="#">FRONT TURN SIGNALS</a> <a href="#">HORN</a>
10014	<a href="#">CARBURETOR (1 OF 2)</a> <a href="#">FUEL TANK</a>

10031	<a href="#"><u>FRONT BRAKE CONTROL</u></a>
10038A	<a href="#"><u>REAR BRAKE CONTROL - FXST MODELS</u></a>
10039	<a href="#"><u>CALIFORNIA EVAPORATIVE EMISSIONS COMPONENTS</u></a>
10040	<a href="#"><u>FRAME, REAR FORK &amp; JIFFY STAND (1 OF 2)</u></a> <a href="#"><u>FUEL TANK</u></a>
10053	<a href="#"><u>FRONT BRAKE CONTROL</u></a>
10059A	<a href="#"><u>FRAME, REAR FORK &amp; JIFFY STAND (1 OF 2)</u></a>
10065	<a href="#"><u>CAM POSITION SENSOR &amp; VACUUM SWITCH</u></a> <a href="#"><u>FRONT BRAKE CONTROL</u></a> <a href="#"><u>HANDLEBAR</u></a> <a href="#"><u>HEADLAMP (1 OF 2)</u></a> <a href="#"><u>AUXILIARY/FOG LAMPS - FLSTC &amp; FLSTS, FRONT TURN SIGNALS - FLSTC (1 OF 2)</u></a> <a href="#"><u>INSTRUMENTS</u></a> <a href="#"><u>FRONT TURN SIGNALS</u></a> <a href="#"><u>WIRING HARNESS, MAIN</u></a>
10073	<a href="#"><u>CAM POSITION SENSOR &amp; VACUUM SWITCH</u></a>
10074	<a href="#"><u>EXHAUST SYSTEM (1 OF 2)</u></a> <a href="#"><u>EXHAUST SYSTEM (1 OF 2)</u></a>
10076	<a href="#"><u>FRONT BRAKE CONTROL</u></a>
10080	<a href="#"><u>OIL TANK</u></a> <a href="#"><u>OIL FILTER &amp; MOUNT</u></a>
10086	<a href="#"><u>OIL TANK</u></a>
10102	<a href="#"><u>FRONT FENDER - FXST, FXSTB, FXSTC, FLSTC &amp; FLSTF</u></a> <a href="#"><u>INSTRUMENTS</u></a>
10103	<a href="#"><u>INSTRUMENTS</u></a>
10112	<a href="#"><u>OIL FILTER &amp; MOUNT</u></a>
10113	<a href="#"><u>REAR TURN SIGNALS</u></a>
10120	<a href="#"><u>REAR TURN SIGNALS</u></a>
10122	<a href="#"><u>REAR BRAKE CONTROL - FXST MODELS</u></a>
10124	<a href="#"><u>CLUTCH CONTROL</u></a>
10151	<a href="#"><u>SWITCHES &amp; CIRCUIT BREAKERS</u></a>
10170	<a href="#"><u>SWITCHES &amp; CIRCUIT BREAKERS</u></a>
10177	<a href="#"><u>IGNITION MODULE &amp; COIL</u></a> <a href="#"><u>REAR TURN SIGNALS</u></a>
10181	<a href="#"><u>FRONT TURN SIGNALS</u></a> <a href="#"><u>HANDLEBAR SWITCHES</u></a>
10183	<a href="#"><u>REAR TURN SIGNALS</u></a>

10184	<a href="#">REAR TURN SIGNALS</a>
10190	<a href="#">THROTTLE CONTROL</a>
10209	<a href="#">FRONT BRAKE CONTROL</a>
10263A	<a href="#">THROTTLE CONTROL</a>
10957	<a href="#">STARTER MOTOR</a>
10998	<a href="#">TRANSMISSION HOUSING (1 OF 2)</a>
11002	<a href="#">OIL PUMP</a>
11016	<a href="#">GEAR SHIFTER (1 OF 2)</a>
11067	<a href="#">TRANSMISSION GEARS</a>
11083	<a href="#">GEAR SHIFTER (1 OF 2)</a>
11096	<a href="#">CLUTCH</a>
11105	<a href="#">CRANKCASE - GEAR SIDE</a> <a href="#">OIL PUMP</a>
11132A	<a href="#">ROCKER ARMS, COVERS &amp; PUSHRODS - V<sup>2</sup>™ EVOLUTION</a> <a href="#">TRANSMISSION HOUSING (1 OF 2)</a>
11140	<a href="#">TRANSMISSION HOUSING (2 OF 2)</a>
11143	<a href="#">CLUTCH CONTROL</a> <a href="#">FRONT BRAKE CONTROL</a>
11145A	<a href="#">ROCKER ARMS, COVERS &amp; PUSHRODS - V<sup>2</sup>™ EVOLUTION</a>
11147B	<a href="#">PRIMARY HOUSING</a>
11150	<a href="#">GEAR SHIFTER (1 OF 2)</a>
11155	<a href="#">THROTTLE CONTROL</a>
11157	<a href="#">ROCKER ARMS, COVERS &amp; PUSHRODS - V<sup>2</sup>™ EVOLUTION</a>
11158	<a href="#">FRAME, REAR FORK &amp; JIFFY STAND (1 OF 2)</a>
11160A	<a href="#">CRANKCASE</a>
11161	<a href="#">TRANSMISSION HOUSING (1 OF 2)</a>
11165	<a href="#">TRANSMISSION HOUSING (1 OF 2)</a>
11177A	<a href="#">CRANKCASE</a>
11179	<a href="#">TRANSMISSION HOUSING (1 OF 2)</a>
11182	<a href="#">STARTER MOTOR</a>
11191	<a href="#">GEAR SHIFTER (1 OF 2)</a>
11192	<a href="#">CAM POSITION SENSOR &amp; VACUUM SWITCH</a>

11218	<a href="#">PISTONS, CONNECTING RODS &amp; FLYWHEELS</a>
11219	<a href="#">PISTONS, CONNECTING RODS &amp; FLYWHEELS CRANKCASE - GEAR SIDE</a>
11241	<a href="#">OIL PUMP</a>
11244	<a href="#">FORK ROCKERS &amp; CALIPER MOUNTING - FXSTS FRONT FENDER - FXSTS</a>
11248	<a href="#">STARTER MOTOR</a>
11260	<a href="#">FORK ROCKERS &amp; CALIPER MOUNTING - FLSTS</a>
11261	<a href="#">FRONT FENDER - FLSTS</a>
11271	<a href="#">THROTTLE CONTROL</a>
11272	<a href="#">THROTTLE CONTROL</a>
11280	<a href="#">FRONT WHEEL (1 OF 2)</a>
11290	<a href="#">TRANSMISSION HOUSING (1 OF 2) SWITCHES &amp; CIRCUIT BREAKERS</a>
11324	<a href="#">PRIMARY HOUSING</a>
11410	<a href="#">AUXILIARY/FOG LAMPS - FLSTC &amp; FLSTS, FRONT TURN SIGNALS - FLSTC (1 OF 2)</a>
11413	<a href="#">REAR BELT GUARD</a>
11437	<a href="#">FRONT FENDER - FXST, FXSTB, FXSTC, FLSTC &amp; FLSTF FRONT FENDER - FLSTS REAR FENDER &amp; SUPPORTS - FLSTC, FLSTF &amp; FLSTS</a>
11447	<a href="#">FUEL TANK</a>
11451	<a href="#">FRAME, REAR FORK &amp; JIFFY STAND (1 OF 2)</a>
11456	<a href="#">FRAME, REAR FORK &amp; JIFFY STAND (1 OF 2)</a>
11460	<a href="#">AIR CLEANER &amp; ENRICHENER</a>
11473	<a href="#">SADDLEBAGS - FLSTC</a>
11717	<a href="#">FUEL TANK</a>
11733A	<a href="#">TRANSMISSION HOUSING (1 OF 2)</a>
12026B	<a href="#">CRANKCASE</a>
12035B	<a href="#">TRANSMISSION GEARS</a>
12045	<a href="#">GEAR SHIFTER (1 OF 2)</a>
12052A	<a href="#">PRIMARY HOUSING</a>
12066A	<a href="#">PRIMARY HOUSING</a>
12067B	<a href="#">TRANSMISSION HOUSING (1 OF 2)</a>

1357W	<a href="#">SEATS &amp; SISSY BARS</a>
13914-99	<a href="#">FUEL TANK TRIM</a>
13915-99	<a href="#">FUEL TANK TRIM</a>
13916-99	<a href="#">FUEL TANK TRIM</a>
13917-99	<a href="#">FUEL TANK TRIM</a>
13918-99	<a href="#">FUEL TANK TRIM</a>
13919-99	<a href="#">FUEL TANK TRIM</a>
13920-99	<a href="#">FUEL TANK TRIM</a>
13921-99	<a href="#">FUEL TANK TRIM</a>
13922-99	<a href="#">FUEL TANK TRIM</a>
13923-99	<a href="#">FUEL TANK TRIM</a>
13924-99	<a href="#">FUEL TANK TRIM</a>
13925-99	<a href="#">FUEL TANK TRIM</a>
13926-99	<a href="#">FUEL TANK TRIM</a>
13927-99	<a href="#">FUEL TANK TRIM</a>
13928-99	<a href="#">FUEL TANK TRIM</a>
13932-99	<a href="#">FUEL TANK TRIM</a>
13933-99	<a href="#">FUEL TANK TRIM</a>
13934-99	<a href="#">REAR FENDER &amp; SUPPORTS - FLSTC, FLSTF &amp; FLSTS</a>
13935-99	<a href="#">REAR FENDER &amp; SUPPORTS - FLSTC, FLSTF &amp; FLSTS</a>
13936-99	<a href="#">FRONT FENDER - FLSTS</a>
13937-99	<a href="#">FRONT FENDER - FLSTS</a>
13938-99	<a href="#">FUEL TANK TRIM</a>
13939-99	<a href="#">FUEL TANK TRIM</a>
13940-99	<a href="#">REAR FENDER &amp; SUPPORTS - FLSTC, FLSTF &amp; FLSTS</a>
13941-99	<a href="#">REAR FENDER &amp; SUPPORTS - FLSTC, FLSTF &amp; FLSTS</a>
13942-99	<a href="#">FRONT FENDER - FLSTS</a>
13943-99	<a href="#">FRONT FENDER - FLSTS</a>
13944-99	<a href="#">FUEL TANK TRIM</a>
13945-99	<a href="#">FUEL TANK TRIM</a>
13946-99	<a href="#">REAR FENDER &amp; SUPPORTS - FLSTC, FLSTF &amp; FLSTS</a>



13947-99	<a href="#"><u>REAR FENDER &amp; SUPPORTS - FLSTC, FLSTF &amp; FLSTS</u></a>
13948-99	<a href="#"><u>FRONT FENDER - FLSTS</u></a>
13949-99	<a href="#"><u>FRONT FENDER - FLSTS</u></a>
14142-86A	<a href="#"><u>FRONT FENDER - FXST, FXSTB, FXSTC, FLSTC &amp; FLSTF</u></a>
14150-86	<a href="#"><u>FRONT FORK - FLSTC &amp; FLSTF (1 OF 2)</u></a>
14270-92	<a href="#"><u>GEAR SHIFTER (2 OF 2)</u></a>
14456-95	<a href="#"><u>FUEL TANK</u></a> <a href="#"><u>FUEL TANK</u></a>
15363-98	<a href="#"><u>FUEL TANK TRIM</u></a>
15368-01A	<a href="#"><u>OIL TANK</u></a> <a href="#"><u>BATTERY</u></a>
1601	<a href="#"><u>CAM POSITION SENSOR &amp; VACUUM SWITCH</u></a>
1602	<a href="#"><u>SEATS &amp; SISSY BARS</u></a>
16118-99	<a href="#"><u>ENGINE ASSEMBLY - COMPLETE</u></a>
16119-99	<a href="#"><u>ENGINE ASSEMBLY - COMPLETE</u></a>
16120-99	<a href="#"><u>ENGINE ASSEMBLY - COMPLETE</u></a>
16121-99	<a href="#"><u>ENGINE ASSEMBLY - COMPLETE</u></a>
16122-99	<a href="#"><u>ENGINE ASSEMBLY - COMPLETE</u></a>
16126-99	<a href="#"><u>ENGINE ASSEMBLY - COMPLETE</u></a>
16132-99	<a href="#"><u>ENGINE ASSEMBLY - COMPLETE</u></a>
16154-99	<a href="#"><u>ENGINE ASSEMBLY - COMPLETE</u></a>
16155-99	<a href="#"><u>ENGINE ASSEMBLY - COMPLETE</u></a>
16242-90	<a href="#"><u>CYLINDERS, VALVES &amp; HEADS - V<sup>2</sup>™ EVOLUTION</u></a>
16247-91	<a href="#"><u>CYLINDERS, VALVES &amp; HEADS - V<sup>2</sup>™ EVOLUTION</u></a>
16284-84	<a href="#"><u>CYLINDERS, VALVES &amp; HEADS - V<sup>2</sup>™ EVOLUTION</u></a>
16478-85A	<a href="#"><u>CYLINDERS, VALVES &amp; HEADS - V<sup>2</sup>™ EVOLUTION</u></a>
16480-92A	<a href="#"><u>CYLINDERS, VALVES &amp; HEADS - V<sup>2</sup>™ EVOLUTION</u></a>
16510-83A	<a href="#"><u>CYLINDERS, VALVES &amp; HEADS - V<sup>2</sup>™ EVOLUTION</u></a>
16512-86A	<a href="#"><u>CYLINDERS, VALVES &amp; HEADS - V<sup>2</sup>™ EVOLUTION</u></a>
16557-98	<a href="#"><u>CYLINDERS, VALVES &amp; HEADS - V<sup>2</sup>™ EVOLUTION</u></a>
16573-83A	<a href="#"><u>CYLINDERS, VALVES &amp; HEADS - V<sup>2</sup>™ EVOLUTION</u></a>
16607-98	<a href="#"><u>CYLINDERS, VALVES &amp; HEADS - V<sup>2</sup>™ EVOLUTION</u></a>

16609-98	<a href="#"><u>CYLINDERS, VALVES &amp; HEADS - V2™ EVOLUTION</u></a>
16690-92B	<a href="#"><u>CYLINDERS, VALVES &amp; HEADS - V2™ EVOLUTION</u></a>
16691-92B	<a href="#"><u>CYLINDERS, VALVES &amp; HEADS - V2™ EVOLUTION</u></a>
16692-95	<a href="#"><u>CYLINDERS, VALVES &amp; HEADS - V2™ EVOLUTION</u></a>
16696-92A	<a href="#"><u>CYLINDERS, VALVES &amp; HEADS - V2™ EVOLUTION</u></a>
16715-83	<a href="#"><u>CYLINDERS, VALVES &amp; HEADS - V2™ EVOLUTION</u></a>
16770-84F	<a href="#"><u>CYLINDERS, VALVES &amp; HEADS - V2™ EVOLUTION</u></a>
16774-86D	<a href="#"><u>CYLINDERS, VALVES &amp; HEADS - V2™ EVOLUTION</u></a>
16778-84B	<a href="#"><u>ROCKER ARMS, COVERS &amp; PUSHRODS - V2™ EVOLUTION</u></a>
16779-84C	<a href="#"><u>ROCKER ARMS, COVERS &amp; PUSHRODS - V2™ EVOLUTION</u></a>
16800-84A	<a href="#"><u>ROCKER ARMS, COVERS &amp; PUSHRODS - V2™ EVOLUTION</u></a>
16837-85C	<a href="#"><u>CYLINDERS, VALVES &amp; HEADS - V2™ EVOLUTION</u></a> <a href="#"><u>CRANKCASE</u></a>
17040-92A	<a href="#"><u>CYLINDERS, VALVES &amp; HEADS - V2™ EVOLUTION</u></a>
17041-92A	<a href="#"><u>CYLINDERS, VALVES &amp; HEADS - V2™ EVOLUTION</u></a>
17042-92A	<a href="#"><u>ROCKER ARMS, COVERS &amp; PUSHRODS - V2™ EVOLUTION</u></a>
17355-92A	<a href="#"><u>ROCKER ARMS, COVERS &amp; PUSHRODS - V2™ EVOLUTION</u></a>
17356-92A	<a href="#"><u>ROCKER ARMS, COVERS &amp; PUSHRODS - V2™ EVOLUTION</u></a>
17358-84B	<a href="#"><u>ROCKER ARMS, COVERS &amp; PUSHRODS - V2™ EVOLUTION</u></a>
17360-83A	<a href="#"><u>ROCKER ARMS, COVERS &amp; PUSHRODS - V2™ EVOLUTION</u></a>
17375-83A	<a href="#"><u>ROCKER ARMS, COVERS &amp; PUSHRODS - V2™ EVOLUTION</u></a>
17429-91	<a href="#"><u>ROCKER ARMS, COVERS &amp; PUSHRODS - V2™ EVOLUTION</u></a>
17503-92A	<a href="#"><u>ROCKER ARMS, COVERS &amp; PUSHRODS - V2™ EVOLUTION</u></a>
17510-92A	<a href="#"><u>ROCKER ARMS, COVERS &amp; PUSHRODS - V2™ EVOLUTION</u></a>
17521-92A	<a href="#"><u>ROCKER ARMS, COVERS &amp; PUSHRODS - V2™ EVOLUTION</u></a>
17528-92	<a href="#"><u>ROCKER ARMS, COVERS &amp; PUSHRODS - V2™ EVOLUTION</u></a>
17529-92	<a href="#"><u>ROCKER ARMS, COVERS &amp; PUSHRODS - V2™ EVOLUTION</u></a>
17530-92	<a href="#"><u>ROCKER ARMS, COVERS &amp; PUSHRODS - V2™ EVOLUTION</u></a>
17600-98	<a href="#"><u>ROCKER ARMS, COVERS &amp; PUSHRODS - V2™ EVOLUTION</u></a>
17601-98	<a href="#"><u>ROCKER ARMS, COVERS &amp; PUSHRODS - V2™ EVOLUTION</u></a>
17602-98	<a href="#"><u>ROCKER ARMS, COVERS &amp; PUSHRODS - V2™ EVOLUTION</u></a>

17611-83	<a href="#"><u>ROCKER ARMS, COVERS &amp; PUSHRODS - V2™ EVOLUTION</u></a>
1783C	<a href="#"><u>BELTS, CHAINS &amp; SPROCKETS</u></a>
17921-83A	<a href="#"><u>ROCKER ARMS, COVERS &amp; PUSHRODS - V2™ EVOLUTION</u></a>
17924-83A	<a href="#"><u>ROCKER ARMS, COVERS &amp; PUSHRODS - V2™ EVOLUTION</u></a>
17927-83A	<a href="#"><u>ROCKER ARMS, COVERS &amp; PUSHRODS - V2™ EVOLUTION</u></a>
17930-83A	<a href="#"><u>ROCKER ARMS, COVERS &amp; PUSHRODS - V2™ EVOLUTION</u></a>
17935-79B	<a href="#"><u>ROCKER ARMS, COVERS &amp; PUSHRODS - V2™ EVOLUTION</u></a>
17938-83	<a href="#"><u>ROCKER ARMS, COVERS &amp; PUSHRODS - V2™ EVOLUTION</u></a>
17945-36B	<a href="#"><u>ROCKER ARMS, COVERS &amp; PUSHRODS - V2™ EVOLUTION</u></a>
17947-36	<a href="#"><u>ROCKER ARMS, COVERS &amp; PUSHRODS - V2™ EVOLUTION</u></a>
17950-66	<a href="#"><u>ROCKER ARMS, COVERS &amp; PUSHRODS - V2™ EVOLUTION</u></a>
1795A	<a href="#"><u>AIR CLEANER &amp; ENRICHENER</u></a>
18001-83B	<a href="#"><u>CYLINDERS, VALVES &amp; HEADS - V2™ EVOLUTION</u></a>
18011-86	<a href="#"><u>CYLINDERS, VALVES &amp; HEADS - V2™ EVOLUTION</u></a>
18020-83	<a href="#"><u>CYLINDERS, VALVES &amp; HEADS - V2™ EVOLUTION</u></a>
18074-83B	<a href="#"><u>CYLINDERS, VALVES &amp; HEADS - V2™ EVOLUTION</u></a>
18076-83	<a href="#"><u>CYLINDERS, VALVES &amp; HEADS - V2™ EVOLUTION</u></a>
18082-83A	<a href="#"><u>CYLINDERS, VALVES &amp; HEADS - V2™ EVOLUTION</u></a>
18087-83	<a href="#"><u>CYLINDERS, VALVES &amp; HEADS - V2™ EVOLUTION</u></a>
18101-83D	<a href="#"><u>CYLINDERS, VALVES &amp; HEADS - V2™ EVOLUTION</u></a>
18124-83	<a href="#"><u>CYLINDERS, VALVES &amp; HEADS - V2™ EVOLUTION</u></a>
18130-83D	<a href="#"><u>CYLINDERS, VALVES &amp; HEADS - V2™ EVOLUTION</u></a>
18131-83D	<a href="#"><u>CYLINDERS, VALVES &amp; HEADS - V2™ EVOLUTION</u></a>
18133-83B	<a href="#"><u>CYLINDERS, VALVES &amp; HEADS - V2™ EVOLUTION</u></a>
18134-83	<a href="#"><u>CYLINDERS, VALVES &amp; HEADS - V2™ EVOLUTION</u></a>
18201-83	<a href="#"><u>CYLINDERS, VALVES &amp; HEADS - V2™ EVOLUTION</u></a>
18202-83	<a href="#"><u>CYLINDERS, VALVES &amp; HEADS - V2™ EVOLUTION</u></a>
18219-83A	<a href="#"><u>CYLINDERS, VALVES &amp; HEADS - V2™ EVOLUTION</u></a>
18222-83A	<a href="#"><u>CYLINDERS, VALVES &amp; HEADS - V2™ EVOLUTION</u></a>
18229-83A	<a href="#"><u>CYLINDERS, VALVES &amp; HEADS - V2™ EVOLUTION</u></a>
18523-86B	<a href="#"><u>ROCKER ARMS, COVERS &amp; PUSHRODS - V2™ EVOLUTION</u></a>

18540-83C	<a href="#">ROCKER ARMS, COVERS &amp; PUSHRODS - V2™ EVOLUTION</a>
18542-83C	<a href="#">ROCKER ARMS, COVERS &amp; PUSHRODS - V2™ EVOLUTION</a>
18622-85B	<a href="#">ROCKER ARMS, COVERS &amp; PUSHRODS - V2™ EVOLUTION</a>
18623-85B	<a href="#">ROCKER ARMS, COVERS &amp; PUSHRODS - V2™ EVOLUTION</a>
18633-48D	<a href="#">ROCKER ARMS, COVERS &amp; PUSHRODS - V2™ EVOLUTION</a>
18634-48C	<a href="#">ROCKER ARMS, COVERS &amp; PUSHRODS - V2™ EVOLUTION</a>
2005	<a href="#">REAR FENDER &amp; SUPPORTS - FXST, FXSTC, FXSTS &amp; FXSTB</a> <a href="#">REAR FENDER &amp; SUPPORTS - FLSTC, FLSTF &amp; FLSTS</a>
21920-83	<a href="#">PISTONS, CONNECTING RODS &amp; FLYWHEELS</a>
21921-83	<a href="#">PISTONS, CONNECTING RODS &amp; FLYWHEELS</a>
21922-83	<a href="#">PISTONS, CONNECTING RODS &amp; FLYWHEELS</a>
21923-83	<a href="#">PISTONS, CONNECTING RODS &amp; FLYWHEELS</a>
21924-83	<a href="#">PISTONS, CONNECTING RODS &amp; FLYWHEELS</a>
21940-83	<a href="#">PISTONS, CONNECTING RODS &amp; FLYWHEELS</a>
21941-83	<a href="#">PISTONS, CONNECTING RODS &amp; FLYWHEELS</a>
21942-83	<a href="#">PISTONS, CONNECTING RODS &amp; FLYWHEELS</a>
21943-83	<a href="#">PISTONS, CONNECTING RODS &amp; FLYWHEELS</a>
21944-83	<a href="#">PISTONS, CONNECTING RODS &amp; FLYWHEELS</a>
22589-83B	<a href="#">PISTONS, CONNECTING RODS &amp; FLYWHEELS</a>
2273A	<a href="#">ALTERNATOR &amp; REGULATOR</a>
22764-83	<a href="#">PISTONS, CONNECTING RODS &amp; FLYWHEELS</a>
239	<a href="#">OIL PUMP</a>
23906-93B	<a href="#">PISTONS, CONNECTING RODS &amp; FLYWHEELS</a>
23928-87	<a href="#">PISTONS, CONNECTING RODS &amp; FLYWHEELS</a>
23974-87	<a href="#">PISTONS, CONNECTING RODS &amp; FLYWHEELS</a>
23975-87	<a href="#">PISTONS, CONNECTING RODS &amp; FLYWHEELS</a>
23981-98	<a href="#">PISTONS, CONNECTING RODS &amp; FLYWHEELS</a> <a href="#">PISTONS, CONNECTING RODS &amp; FLYWHEELS</a>
24002-70	<a href="#">CRANKCASE</a>
24040-93	<a href="#">CRANKCASE - GEAR SIDE</a>
24041-93	<a href="#">CRANKCASE - GEAR SIDE</a>
24042-93	<a href="#">CRANKCASE - GEAR SIDE</a>

24043-93	<a href="#"><u>CRANKCASE - GEAR SIDE</u></a>
24044-93	<a href="#"><u>CRANKCASE - GEAR SIDE</u></a>
24045-93	<a href="#"><u>CRANKCASE - GEAR SIDE</u></a>
24046-93	<a href="#"><u>CRANKCASE - GEAR SIDE</u></a>
24281-83	<a href="#"><u>PISTONS, CONNECTING RODS &amp; FLYWHEELS</u></a>
24334-36	<a href="#"><u>PISTONS, CONNECTING RODS &amp; FLYWHEELS</u></a>
24335-36	<a href="#"><u>PISTONS, CONNECTING RODS &amp; FLYWHEELS</u></a>
24345-36A	<a href="#"><u>PISTONS, CONNECTING RODS &amp; FLYWHEELS</u></a>
24346-87A	<a href="#"><u>PISTONS, CONNECTING RODS &amp; FLYWHEELS</u></a>
24356-36A	<a href="#"><u>PISTONS, CONNECTING RODS &amp; FLYWHEELS</u></a>
2444	<a href="#"><u>WINDSHIELD - FLSTC</u></a>
2447	<a href="#"><u>FRONT FENDER - FLSTS</u></a> <a href="#"><u>HORN</u></a>
2448	<a href="#"><u>FRONT FENDER - FLSTS</u></a>
24571-93	<a href="#"><u>CRANKCASE</u></a>
24572-93A	<a href="#"><u>CRANKCASE</u></a>
24586-93	<a href="#"><u>CRANKCASE - GEAR SIDE</u></a>
24599-93	<a href="#"><u>CRANKCASE</u></a>
24600-58B	<a href="#"><u>CRANKCASE</u></a>
24601-58B	<a href="#"><u>CRANKCASE</u></a>
24626-87A	<a href="#"><u>CRANKCASE</u></a>
24628-87A	<a href="#"><u>CRANKCASE</u></a>
24641-36	<a href="#"><u>CRANKCASE - GEAR SIDE</u></a>
24641-87A	<a href="#"><u>CRANKCASE</u></a>
24643-87A	<a href="#"><u>CRANKCASE</u></a>
24922-93	<a href="#"><u>AIR CLEANER &amp; ENRICHENER</u></a>
24925-95	<a href="#"><u>AIR CLEANER &amp; ENRICHENER</u></a>
24981-70	<a href="#"><u>CRANKCASE - GEAR SIDE</u></a>
24982-70	<a href="#"><u>CRANKCASE - GEAR SIDE</u></a>
2501A	<a href="#"><u>INSTRUMENTS</u></a> <a href="#"><u>SWITCHES &amp; CIRCUIT BREAKERS</u></a>

25225-93B	<a href="#">CRANKCASE - GEAR SIDE</a>
25256-93A	<a href="#">CRANKCASE - GEAR SIDE</a>
25298-98	<a href="#">CRANKCASE - GEAR SIDE</a>
2531	<a href="#">FRONT FENDER - FXST, FXSTB, FXSTC, FLSTC &amp; FLSTF</a>
25310-82A	<a href="#">CRANKCASE - GEAR SIDE</a>
25320-82	<a href="#">CRANKCASE - GEAR SIDE</a>
25321-82	<a href="#">CRANKCASE - GEAR SIDE</a>
25322-82	<a href="#">CRANKCASE - GEAR SIDE</a>
25323-82	<a href="#">CRANKCASE - GEAR SIDE</a>
25325-82	<a href="#">CRANKCASE - GEAR SIDE</a>
25326-82	<a href="#">CRANKCASE - GEAR SIDE</a>
25327-82	<a href="#">CRANKCASE - GEAR SIDE</a>
25328-82	<a href="#">CRANKCASE - GEAR SIDE</a>
2534	<a href="#">SEATS &amp; SISSY BARS</a>
2538	<a href="#">SEATS &amp; SISSY BARS</a>
25414-99	<a href="#">PRIMARY HOUSING</a>
25416-99C	<a href="#">PRIMARY HOUSING</a>
25452-87A	<a href="#">TRANSMISSION HOUSING (1 OF 2)</a>
25453-87A	<a href="#">TRANSMISSION HOUSING (1 OF 2)</a>
25550-57A	<a href="#">CRANKCASE - GEAR SIDE</a>
2558	<a href="#">HANDLEBAR SWITCHES</a>
25581-70	<a href="#">CRANKCASE - GEAR SIDE</a>
25582-93	<a href="#">CRANKCASE - GEAR SIDE</a>
2562	<a href="#">CLUTCH CONTROL</a>
25700225	<a href="#">PRIMARY HOUSING</a>
2579A	<a href="#">FRONT BRAKE CONTROL</a>
2602A	<a href="#">SADDLEBAGS - FLSTC</a>
26030-92A	<a href="#">OIL PUMP</a>
26031-92A	<a href="#">OIL PUMP</a>
2604	<a href="#">FRONT FENDER - FXST, FXSTB, FXSTC, FLSTC &amp; FLSTF</a> <a href="#">REAR FENDER &amp; SUPPORTS - FLSTC, FLSTF &amp; FLSTS</a> <a href="#">LICENSE PLATE BRACKETS</a>

26050-92	<a href="#">OIL PUMP</a>
2607	<a href="#">SEATS &amp; SISSY BARS</a>
26088-98	<a href="#">OIL PUMP</a>
26090-98	<a href="#">OIL PUMP</a>
26093-98	<a href="#">OIL PUMP</a>
26096-98	<a href="#">OIL PUMP</a>
26097-98	<a href="#">OIL PUMP</a>
26099-99	<a href="#">CRANKCASE - GEAR SIDE</a>
2611C	<a href="#">CAM POSITION SENSOR &amp; VACUUM SWITCH</a>
2614	<a href="#">BELTS, CHAINS &amp; SPROCKETS</a>
26207-83	<a href="#">OIL PUMP</a>
26225-92	<a href="#">OIL PUMP</a>
26226-92	<a href="#">OIL PUMP</a>
26227-58	<a href="#">OIL PUMP</a>
26262-80	<a href="#">OIL PUMP</a>
26263-80	<a href="#">CRANKCASE - GEAR SIDE</a> <a href="#">OIL PUMP</a>
26267-92	<a href="#">OIL PUMP</a>
26270-92	<a href="#">OIL PUMP</a>
26273-92A	<a href="#">OIL PUMP</a>
26276-92A	<a href="#">OIL PUMP</a>
26315-68A	<a href="#">OIL PUMP</a>
26317-68A	<a href="#">OIL PUMP</a>
26326-62A	<a href="#">OIL PUMP</a>
26327-68	<a href="#">OIL PUMP</a>
26328-74	<a href="#">OIL PUMP</a>
26345-73	<a href="#">OIL PUMP</a>
26346-70	<a href="#">OIL PUMP</a>
26348-15	<a href="#">OIL PUMP</a>
26348-36	<a href="#">OIL PUMP</a>
26352-95A	<a href="#">OIL FILTER &amp; MOUNT</a>

26354-93	<a href="#">CRANKCASE - GEAR SIDE</a>
26378-92A	<a href="#">OIL FILTER &amp; MOUNT</a>
26381-92B	<a href="#">OIL FILTER &amp; MOUNT</a>
26400-82B	<a href="#">OIL PUMP</a>
26432-76A	<a href="#">CYLINDERS, VALVES &amp; HEADS - V<sup>2</sup>™ EVOLUTION</a>
2647B	<a href="#">AUXILIARY/FOG LAMPS - FLSTC &amp; FLSTS, FRONT TURN SIGNALS - FLSTC (1 OF 2)</a>
26561-84	<a href="#">CRANKCASE - GEAR SIDE</a>
26563-95	<a href="#">CAM POSITION SENSOR &amp; VACUUM SWITCH</a>
26566-96	<a href="#">CAM POSITION SENSOR &amp; VACUUM SWITCH</a>
26571-89	<a href="#">CALIFORNIA EVAPORATIVE EMISSIONS COMPONENTS</a>
26856-89A	<a href="#">ROCKER ARMS, COVERS &amp; PUSHRODS - V<sup>2</sup>™ EVOLUTION</a>
2692WB	<a href="#">REAR TURN SIGNALS</a>
2696	<a href="#">REAR TURN SIGNALS</a>
26995-86B	<a href="#">CARBURETOR (1 OF 2)</a>
27002-89	<a href="#">CARBURETOR (1 OF 2)</a>
27009-86A	<a href="#">CARBURETOR (1 OF 2)</a>
27010-86A	<a href="#">CARBURETOR (1 OF 2)</a>
27019-89A	<a href="#">CARBURETOR (1 OF 2)</a>
27042-84A	<a href="#">CALIFORNIA EVAPORATIVE EMISSIONS COMPONENTS</a>
27047-84B	<a href="#">CALIFORNIA EVAPORATIVE EMISSIONS COMPONENTS</a>
27051-90A	<a href="#">CALIFORNIA EVAPORATIVE EMISSIONS COMPONENTS</a>
27088-99	<a href="#">CARBURETOR (2 OF 2)</a>
27090-89	<a href="#">CARBURETOR (1 OF 2)</a>
27093-92A	<a href="#">FUEL TANK</a>
27100-88	<a href="#">CARBURETOR (1 OF 2)</a>
27101-88	<a href="#">CARBURETOR (1 OF 2)</a>
27102-92	<a href="#">FUEL TANK</a>
27105-88	<a href="#">CARBURETOR (2 OF 2)</a>
2711	<a href="#">AIR CLEANER &amp; ENRICHENER</a>
27115-88	<a href="#">CARBURETOR (1 OF 2)</a>
27122-89	<a href="#">CARBURETOR (1 OF 2)</a>



27123-89A	<a href="#">CARBURETOR (1 OF 2)</a>
27124-89	<a href="#">CARBURETOR (1 OF 2)</a>
27125-89	<a href="#">CARBURETOR (1 OF 2)</a>
27126-89	<a href="#">CARBURETOR (1 OF 2)</a>
27127-89	<a href="#">CARBURETOR (1 OF 2)</a>
27128-89	<a href="#">CARBURETOR (1 OF 2)</a>
27130-90	<a href="#">CARBURETOR (1 OF 2)</a>
27136-90A	<a href="#">CARBURETOR (1 OF 2)</a>
27137-81	<a href="#">CARBURETOR (1 OF 2)</a>
27138-90	<a href="#">CALIFORNIA EVAPORATIVE EMISSIONS COMPONENTS</a>
27146-89	<a href="#">CARBURETOR (1 OF 2)</a>
27147-89	<a href="#">CARBURETOR (1 OF 2)</a>
27148-89	<a href="#">CARBURETOR (1 OF 2)</a>
27156-89	<a href="#">CARBURETOR (1 OF 2)</a>
27157-89	<a href="#">CARBURETOR (1 OF 2)</a>
27158-89	<a href="#">CARBURETOR (1 OF 2)</a>
27159-92	<a href="#">CARBURETOR (1 OF 2)</a>
27160-89	<a href="#">CARBURETOR (1 OF 2)</a>
27162-89	<a href="#">CARBURETOR (1 OF 2)</a>
27171-89	<a href="#">CARBURETOR (1 OF 2)</a>
2720	<a href="#">ALTERNATOR &amp; REGULATOR</a>
27231-98	<a href="#">CARBURETOR (2 OF 2)</a>
2723A	<a href="#">FRONT FENDER - FXSTS</a>
27253-96	<a href="#">CARBURETOR (1 OF 2)</a>
27254-96	<a href="#">CARBURETOR (1 OF 2)</a> <a href="#">CARBURETOR (2 OF 2)</a>
27261-96	<a href="#">CARBURETOR (1 OF 2)</a>
27262-96	<a href="#">CARBURETOR (1 OF 2)</a>
27263-96	<a href="#">CARBURETOR (1 OF 2)</a>
27292-95	<a href="#">CALIFORNIA EVAPORATIVE EMISSIONS COMPONENTS</a>
27311-76	<a href="#">CARBURETOR (2 OF 2)</a>

27315-88A	<a href="#">CARBURETOR (2 OF 2)</a>
27317-88	<a href="#">CARBURETOR (2 OF 2)</a>
27339-90	<a href="#">CARBURETOR (2 OF 2)</a>
27360-76	<a href="#">CARBURETOR (2 OF 2)</a>
27361-76A	<a href="#">CARBURETOR (2 OF 2)</a>
27362-76	<a href="#">CARBURETOR (2 OF 2)</a>
27368-76	<a href="#">CARBURETOR (2 OF 2)</a>
27369-76	<a href="#">CARBURETOR (2 OF 2)</a>
2737	<a href="#">AIR CLEANER &amp; ENRICHENER</a>
27371-76A	<a href="#">CARBURETOR (2 OF 2)</a>
2738	<a href="#">FRONT FENDER - FXSTS</a>
27380-98	<a href="#">CARBURETOR (2 OF 2)</a>
27492-96B	<a href="#">CARBURETOR (1 OF 2)</a>
275	<a href="#">CRANKCASE - GEAR SIDE</a>
27504-96	<a href="#">CARBURETOR (1 OF 2)</a>
27575-88A	<a href="#">CARBURETOR (2 OF 2)</a>
27576-92	<a href="#">CARBURETOR (2 OF 2)</a>
27577-92	<a href="#">CARBURETOR (2 OF 2)</a>
27579-88A	<a href="#">CARBURETOR (2 OF 2)</a>
27580-88	<a href="#">CARBURETOR (2 OF 2)</a>
27581-88	<a href="#">CARBURETOR (2 OF 2)</a>
27582-88	<a href="#">CARBURETOR (2 OF 2)</a>
27583-88	<a href="#">CARBURETOR (2 OF 2)</a>
27585-88	<a href="#">CARBURETOR (2 OF 2)</a>
27586-88	<a href="#">CARBURETOR (2 OF 2)</a>
27587-88	<a href="#">CARBURETOR (2 OF 2)</a>
2773	<a href="#">FOOTRESTS &amp; FOOTBOARDS</a> <a href="#">LICENSE PLATE BRACKETS</a> <a href="#">LICENSE PLATE BRACKETS</a>
27886-78A	<a href="#">CARBURETOR (2 OF 2)</a>
2823	<a href="#">FRONT FORK - FXST, FXSTC &amp; FXSTB</a>
2871W	<a href="#">FRAME, REAR FORK &amp; JIFFY STAND (1 OF 2)</a>

2872W	<a href="#"><u>SWITCHES &amp; CIRCUIT BREAKERS</u></a>
2879W	<a href="#"><u>CYLINDERS, VALVES &amp; HEADS - V2™ EVOLUTION EXHAUST SYSTEM (1 OF 2) EXHAUST SYSTEM (1 OF 2)</u></a>
28823-89	<a href="#"><u>AIR CLEANER &amp; ENRICHENER</u></a>
28827-96A	<a href="#"><u>AIR CLEANER &amp; ENRICHENER</u></a>
2882W	<a href="#"><u>REAR BELT GUARD FRAME, REAR FORK &amp; JIFFY STAND (1 OF 2)</u></a>
28842-89	<a href="#"><u>AIR CLEANER &amp; ENRICHENER</u></a>
28884-95	<a href="#"><u>CALIFORNIA EVAPORATIVE EMISSIONS COMPONENTS</u></a>
2902	<a href="#"><u>GEAR SHIFTER (1 OF 2)</u></a>
2904A	<a href="#"><u>REAR TURN SIGNALS</u></a>
29059-88A	<a href="#"><u>AIR CLEANER &amp; ENRICHENER</u></a>
29062-95B	<a href="#"><u>AIR CLEANER &amp; ENRICHENER</u></a>
29087-96	<a href="#"><u>AIR CLEANER &amp; ENRICHENER</u></a>
29126-90B	<a href="#"><u>AIR CLEANER &amp; ENRICHENER</u></a>
29134-92	<a href="#"><u>AIR CLEANER &amp; ENRICHENER</u></a>
29161-86	<a href="#"><u>AIR CLEANER &amp; ENRICHENER</u></a>
29165-89	<a href="#"><u>AIR CLEANER &amp; ENRICHENER</u></a>
29169-84	<a href="#"><u>AIR CLEANER &amp; ENRICHENER</u></a>
2917	<a href="#"><u>HEADLAMP (1 OF 2)</u></a>
29181-88	<a href="#"><u>AIR CLEANER &amp; ENRICHENER</u></a>
2921	<a href="#"><u>WINDSHIELD - FLSTC</u></a>
29229-88D	<a href="#"><u>AIR CLEANER &amp; ENRICHENER</u></a>
29252-89	<a href="#"><u>AIR CLEANER &amp; ENRICHENER</u></a>
29256-90	<a href="#"><u>AIR CLEANER &amp; ENRICHENER</u></a>
2927	<a href="#"><u>SEAT - FLSTS</u></a>
29283-93	<a href="#"><u>AIR CLEANER &amp; ENRICHENER</u></a>
29312-95	<a href="#"><u>CALIFORNIA EVAPORATIVE EMISSIONS COMPONENTS</u></a>
29313-95	<a href="#"><u>AIR CLEANER &amp; ENRICHENER</u></a>
29319-95A	<a href="#"><u>AIR CLEANER &amp; ENRICHENER</u></a>
29323-95	<a href="#"><u>AIR CLEANER &amp; ENRICHENER</u></a>

29325-95A	<a href="#">AIR CLEANER &amp; ENRICHENER</a>
2932A	<a href="#">PRIMARY HOUSING</a>
29330-96	<a href="#">AIR CLEANER &amp; ENRICHENER</a>
29366-97	<a href="#">AIR CLEANER &amp; ENRICHENER</a>
29449-98B	<a href="#">AIR CLEANER &amp; ENRICHENER</a>
29482-98	<a href="#">AIR CLEANER &amp; ENRICHENER</a>
2952A	<a href="#">SEATS &amp; SISSY BARS</a> <a href="#">SEAT - FLSTS</a>
29548-98	<a href="#">AIR CLEANER &amp; ENRICHENER</a>
2980	<a href="#">CLUTCH</a>
29954-71A	<a href="#">ALTERNATOR &amp; REGULATOR</a>
29957-81B	<a href="#">ALTERNATOR &amp; REGULATOR</a>
29960-91A	<a href="#">BELTS, CHAINS &amp; SPROCKETS</a>
29961-85	<a href="#">ALTERNATOR &amp; REGULATOR</a>
29970-88D	<a href="#">ALTERNATOR &amp; REGULATOR</a>
31342-94	<a href="#">STARTER MOTOR</a>
31430-94	<a href="#">STARTER MOTOR</a>
31504-91B	<a href="#">WIRING HARNESS, MAIN</a> <a href="#">SWITCHES &amp; CIRCUIT BREAKERS</a>
31510-90	<a href="#">STARTER MOTOR</a>
31515-90	<a href="#">STARTER MOTOR</a>
31516-94A	<a href="#">STARTER MOTOR</a>
31518-90	<a href="#">STARTER MOTOR</a>
31519-90	<a href="#">STARTER MOTOR</a>
31521-98	<a href="#">STARTER MOTOR</a>
31525-90	<a href="#">STARTER MOTOR</a>
31527-90	<a href="#">STARTER MOTOR</a>
31530-90	<a href="#">STARTER MOTOR</a>
31535-91	<a href="#">STARTER MOTOR</a>
31538-98	<a href="#">STARTER MOTOR</a>
31548-90	<a href="#">STARTER MOTOR</a>
31553-94B	<a href="#">STARTER MOTOR</a>

31589-80	<a href="#">LICENSE PLATE BRACKETS</a>
31600-90	<a href="#">STARTER MOTOR</a>
31604-91A	<a href="#">STARTER MOTOR</a>
31612-09	<a href="#">STARTER MOTOR</a>
31614-83A	<a href="#">IGNITION MODULE &amp; COIL</a>
31660-90	<a href="#">STARTER MOTOR</a>
31662-90	<a href="#">STARTER MOTOR</a>
31663-90	<a href="#">STARTER MOTOR</a>
31664-94	<a href="#">STARTER MOTOR</a>
31688-90	<a href="#">STARTER MOTOR</a>
31689-90	<a href="#">STARTER MOTOR</a>
31692-90	<a href="#">STARTER MOTOR</a>
31695-90	<a href="#">STARTER MOTOR</a>
31701-98	<a href="#">IGNITION MODULE &amp; COIL</a>
31702-98	<a href="#">STARTER MOTOR</a>
31703-98	<a href="#">STARTER MOTOR</a>
31727-85	<a href="#">IGNITION MODULE &amp; COIL</a>
31800-78A	<a href="#">IGNITION MODULE &amp; COIL</a>
31983-71C	<a href="#">IGNITION MODULE &amp; COIL</a>
31985-91A	<a href="#">IGNITION MODULE &amp; COIL</a>
3210A	<a href="#">TRANSMISSION HOUSING (1 OF 2)</a> <a href="#">TRANSMISSION HOUSING (1 OF 2)</a> <a href="#">OIL FILTER &amp; MOUNT</a>
3214	<a href="#">HEADLAMP (1 OF 2)</a>
3221	<a href="#">AIR CLEANER &amp; ENRICHENER</a>
32311-83	<a href="#">IGNITION MODULE &amp; COIL</a>
32402-83	<a href="#">CAM POSITION SENSOR &amp; VACUUM SWITCH</a>
32448-95B	<a href="#">CAM POSITION SENSOR &amp; VACUUM SWITCH</a>
32449-95C	<a href="#">IGNITION MODULE &amp; COIL</a>
32484-96	<a href="#">IGNITION MODULE &amp; COIL</a>
32504-80A	<a href="#">CAM POSITION SENSOR &amp; VACUUM SWITCH</a>
32524-83	<a href="#">CAM POSITION SENSOR &amp; VACUUM SWITCH</a>

32606-82	<a href="#">CAM POSITION SENSOR &amp; VACUUM SWITCH</a>
32617-00Y	<a href="#">HORN</a>
3268	<a href="#">FRONT FENDER - FLSTS</a>
32727-98	<a href="#">CAM POSITION SENSOR &amp; VACUUM SWITCH</a>
3275	<a href="#">CARBURETOR (1 OF 2)</a>
3300	<a href="#">TRANSMISSION HOUSING (2 OF 2)</a>
33005-99	<a href="#">TRANSMISSION HOUSING (1 OF 2)</a>
33006-99	<a href="#">TRANSMISSION HOUSING (1 OF 2)</a>
33007-99	<a href="#">TRANSMISSION HOUSING (1 OF 2)</a>
33048-72	<a href="#">FOOTRESTS &amp; FOOTBOARDS</a> <a href="#">FOOTRESTS &amp; FOOTBOARDS</a>
33051-99	<a href="#">TRANSMISSION HOUSING (1 OF 2)</a>
33114-79	<a href="#">TRANSMISSION HOUSING (1 OF 2)</a>
33119-79B	<a href="#">GEAR SHIFTER (1 OF 2)</a>
33126-94	<a href="#">STARTER MOTOR</a>
33127-94	<a href="#">STARTER MOTOR</a>
33189-63	<a href="#">FOOTRESTS &amp; FOOTBOARDS</a> <a href="#">FOOTRESTS &amp; FOOTBOARDS</a>
33205-80	<a href="#">GEAR SHIFTER (1 OF 2)</a>
33206-80	<a href="#">GEAR SHIFTER (1 OF 2)</a>
33207-80	<a href="#">GEAR SHIFTER (1 OF 2)</a>
33208-80	<a href="#">GEAR SHIFTER (1 OF 2)</a>
33209-80	<a href="#">GEAR SHIFTER (1 OF 2)</a>
33210-80	<a href="#">GEAR SHIFTER (1 OF 2)</a>
33211-80	<a href="#">GEAR SHIFTER (1 OF 2)</a>
33212-80	<a href="#">GEAR SHIFTER (1 OF 2)</a>
33318-85	<a href="#">PRIMARY HOUSING</a>
33320-98	<a href="#">GEAR SHIFTER (1 OF 2)</a>
33326-79A	<a href="#">GEAR SHIFTER (1 OF 2)</a>
33332-79	<a href="#">GEAR SHIFTER (1 OF 2)</a>
33344-94	<a href="#">TRANSMISSION HOUSING (1 OF 2)</a>
33445-94A	<a href="#">PRIMARY HOUSING</a>

33446-94A	<a href="#">PRIMARY HOUSING</a>
33449-94	<a href="#">STARTER MOTOR</a>
33519-92A	<a href="#">OIL FILTER &amp; MOUNT</a>
33520-92	<a href="#">OIL FILTER &amp; MOUNT</a>
33630-90A	<a href="#">FOOTRESTS &amp; FOOTBOARDS</a>
33642-89	<a href="#">GEAR SHIFTER (2 OF 2)</a>
33660-90B	<a href="#">GEAR SHIFTER (2 OF 2)</a>
33668-90C	<a href="#">GEAR SHIFTER (2 OF 2)</a>
33670-97	<a href="#">GEAR SHIFTER (2 OF 2)</a>
33683-90A	<a href="#">FOOTRESTS &amp; FOOTBOARDS</a>
337	<a href="#">TRANSMISSION HOUSING (1 OF 2)</a>
33708-94	<a href="#">GEAR SHIFTER (2 OF 2)</a> <a href="#">FOOTRESTS &amp; FOOTBOARDS</a>
33714-90B	<a href="#">FRONT FENDER - FXSTS</a>
33715-85A	<a href="#">GEAR SHIFTER (2 OF 2)</a>
33719-79B	<a href="#">GEAR SHIFTER (2 OF 2)</a>
33720-93	<a href="#">FRONT FENDER - FXSTS</a>
33849-97	<a href="#">GEAR SHIFTER (2 OF 2)</a>
33895-82D	<a href="#">GEAR SHIFTER (2 OF 2)</a>
33902-98A	<a href="#">TRANSMISSION HOUSING (1 OF 2)</a> <a href="#">SWITCHES &amp; CIRCUIT BREAKERS</a>
3398	<a href="#">CRANKCASE</a>
3403	<a href="#">STARTER MOTOR</a>
34082-79	<a href="#">GEAR SHIFTER (2 OF 2)</a>
34083-79	<a href="#">GEAR SHIFTER (2 OF 2)</a>
34084-86A	<a href="#">GEAR SHIFTER (2 OF 2)</a>
34085-79A	<a href="#">GEAR SHIFTER (2 OF 2)</a>
34086-79	<a href="#">GEAR SHIFTER (2 OF 2)</a>
34087-79A	<a href="#">GEAR SHIFTER (2 OF 2)</a>
34088-87A	<a href="#">GEAR SHIFTER (2 OF 2)</a>
34089-79	<a href="#">GEAR SHIFTER (2 OF 2)</a>

34091-85A	<a href="#">TRANSMISSION GEARS</a>
34191-79E	<a href="#">GEAR SHIFTER (2 OF 2)</a>
34193-79E	<a href="#">GEAR SHIFTER (2 OF 2)</a>
34195-79E	<a href="#">GEAR SHIFTER (2 OF 2)</a>
3440	<a href="#">FOOTRESTS &amp; FOOTBOARDS</a>
3445	<a href="#">FUEL TANK</a>
34468-98A	<a href="#">TRANSMISSION HOUSING (1 OF 2)</a>
34519-98	<a href="#">TRANSMISSION HOUSING (1 OF 2)</a>
34564-90B	<a href="#">GEAR SHIFTER (2 OF 2)</a>
34611-65A	<a href="#">GEAR SHIFTER (2 OF 2)</a> <a href="#">GEAR SHIFTER (2 OF 2)</a>
3471	<a href="#">HANDLEBAR</a>
3473	<a href="#">REAR BRAKE CONTROL - FXST MODELS</a>
34732-96	<a href="#">TRANSMISSION HOUSING (2 OF 2)</a>
34774-99	<a href="#">TRANSMISSION HOUSING (2 OF 2)</a>
34777-99	<a href="#">TRANSMISSION HOUSING (1 OF 2)</a>
3480A	<a href="#">CRANKCASE - GEAR SIDE</a>
3485A	<a href="#">FRONT FENDER - FXST, FXSTB, FXSTC, FLSTC &amp; FLSTF</a>
34904-86D	<a href="#">TRANSMISSION HOUSING (2 OF 2)</a>
34920-86A	<a href="#">TRANSMISSION HOUSING (2 OF 2)</a>
3494A	<a href="#">HANDLEBAR</a>
3500A	<a href="#">ROCKER ARMS, COVERS &amp; PUSHRODS - V<sup>2</sup>™ EVOLUTION</a>
3501A	<a href="#">ROCKER ARMS, COVERS &amp; PUSHRODS - V<sup>2</sup>™ EVOLUTION</a>
35025-79B	<a href="#">TRANSMISSION GEARS</a>
35026-94	<a href="#">TRANSMISSION GEARS</a>
35027-94	<a href="#">TRANSMISSION GEARS</a>
35028-94	<a href="#">TRANSMISSION GEARS</a>
35029-94	<a href="#">TRANSMISSION GEARS</a>
35042-91	<a href="#">TRANSMISSION GEARS</a>
3504A	<a href="#">CRANKCASE</a>
35051-89A	<a href="#">TRANSMISSION GEARS</a>



3506	<a href="#">CRANKCASE</a>
35064-79	<a href="#">TRANSMISSION GEARS</a>
35068-79	<a href="#">GEAR SHIFTER (2 OF 2)</a>
35076-79	<a href="#">TRANSMISSION HOUSING (2 OF 2)</a>
35078-79	<a href="#">TRANSMISSION HOUSING (2 OF 2)</a> <a href="#">REAR BRAKE CONTROL - FLST MODELS</a>
35087-99A	<a href="#">TRANSMISSION HOUSING (2 OF 2)</a>
3509	<a href="#">REAR BRAKE CONTROL - FXST MODELS</a>
3512	<a href="#">CRANKCASE</a>
3514	<a href="#">HEADLAMP (1 OF 2)</a>
3516A	<a href="#">FOOTRESTS &amp; FOOTBOARDS</a>
35211-91B	<a href="#">BELTS, CHAINS &amp; SPROCKETS</a>
35258-87D	<a href="#">TRANSMISSION HOUSING (2 OF 2)</a>
35266-99	<a href="#">TRANSMISSION HOUSING (2 OF 2)</a>
3533	<a href="#">FRONT FORK - FXSTS</a> <a href="#">FRONT FORK - FLSTS</a>
3538	<a href="#">FRONT BRAKE CONTROL</a> <a href="#">FRONT FORK - FLSTC &amp; FLSTF (1 OF 2)</a> <a href="#">FRONT FORK - FXSTS</a> <a href="#">FRONT FORK - FLSTS</a> <a href="#">AUXILIARY/FOG LAMPS - FLSTC &amp; FLSTS, FRONT TURN SIGNALS - FLSTC (1 OF 2)</a>
3546	<a href="#">OIL TANK</a> <a href="#">INSTRUMENTS</a>
3549A	<a href="#">FOOTRESTS &amp; FOOTBOARDS</a> <a href="#">SADDLEBAGS - FLSTC</a> <a href="#">SADDLEBAGS - FLSTS</a>
3559	<a href="#">STARTER MOTOR</a>
3560WA	<a href="#">FRONT FENDER - FXST, FXSTB, FXSTC, FLSTC &amp; FLSTF</a>
3561WC	<a href="#">FRONT FENDER - FXST, FXSTB, FXSTC, FLSTC &amp; FLSTF</a>
3562	<a href="#">FRONT BRAKE CALIPER</a>
35622-79C	<a href="#">TRANSMISSION GEARS</a>
35625-94	<a href="#">TRANSMISSION GEARS</a>
35626-94	<a href="#">TRANSMISSION GEARS</a>
35629-79	<a href="#">TRANSMISSION GEARS</a>
3563	<a href="#">HORN</a>

35632-79	<a href="#"><u>TRANSMISSION GEARS</u></a>
35652-79B	<a href="#"><u>TRANSMISSION HOUSING (2 OF 2)</u></a>
3574	<a href="#"><u>SEATS &amp; SISSY BARS</u></a> <a href="#"><u>SEAT - FLSTS</u></a> <a href="#"><u>CALIFORNIA EVAPORATIVE EMISSIONS COMPONENTS</u></a>
3576	<a href="#"><u>REAR TURN SIGNALS</u></a>
3577	<a href="#"><u>AIR CLEANER &amp; ENRICHENER</u></a>
358	<a href="#"><u>CRANKCASE</u></a>
35854-96	<a href="#"><u>ALTERNATOR &amp; REGULATOR</u></a> <a href="#"><u>BELTS, CHAINS &amp; SPROCKETS</u></a>
3594	<a href="#"><u>TRANSMISSION HOUSING (1 OF 2)</u></a> <a href="#"><u>BELTS, CHAINS &amp; SPROCKETS</u></a> <a href="#"><u>FRONT BRAKE CONTROL</u></a>
3602A	<a href="#"><u>IGNITION MODULE &amp; COIL</u></a>
3613	<a href="#"><u>CRANKCASE</u></a>
3655A	<a href="#"><u>FRONT WHEEL (1 OF 2)</u></a> <a href="#"><u>FRONT WHEEL (1 OF 2)</u></a>
3657	<a href="#"><u>FRAME, REAR FORK &amp; JIFFY STAND (1 OF 2)</u></a>
3658	<a href="#"><u>HANDLEBAR SWITCHES</u></a>
366	<a href="#"><u>CRANKCASE - GEAR SIDE</u></a>
3662A	<a href="#"><u>SEAT - FLSTS</u></a>
36801-87C	<a href="#"><u>TRANSMISSION HOUSING (2 OF 2)</u></a>
3689	<a href="#"><u>LICENSE PLATE BRACKETS</u></a> <a href="#"><u>LICENSE PLATE BRACKETS</u></a>
3691	<a href="#"><u>GEAR SHIFTER (1 OF 2)</u></a>
37069-90A	<a href="#"><u>CLUTCH</u></a>
37071-87	<a href="#"><u>TRANSMISSION HOUSING (2 OF 2)</u></a>
37075-87	<a href="#"><u>TRANSMISSION HOUSING (2 OF 2)</u></a>
37088-90	<a href="#"><u>CLUTCH</u></a>
37090-98A	<a href="#"><u>CLUTCH</u></a>
37105-87A	<a href="#"><u>TRANSMISSION HOUSING (2 OF 2)</u></a>
37186-98	<a href="#"><u>TRANSMISSION HOUSING (2 OF 2)</u></a>
37232-99	<a href="#"><u>TRANSMISSION HOUSING (2 OF 2)</u></a>
3728	<a href="#"><u>EXHAUST SYSTEM (1 OF 2)</u></a> <a href="#"><u>EXHAUST SYSTEM (1 OF 2)</u></a>

	<a href="#">EXHAUST SYSTEM - FLSTS</a>
3730A	<a href="#">REAR WHEEL</a>
37312-75	<a href="#">CLUTCH</a>
37313-80	<a href="#">CLUTCH</a>
3739	<a href="#">FRONT FORK - FLSTC &amp; FLSTF (1 OF 2)</a>
37496-90A	<a href="#">CLUTCH</a>
375	<a href="#">TRANSMISSION HOUSING (1 OF 2)</a> <a href="#">PRIMARY HOUSING</a>
37503-41	<a href="#">REAR BRAKE CONTROL - FXST MODELS</a>
37550-98	<a href="#">CLUTCH</a>
3767B	<a href="#">LICENSE PLATE BRACKETS</a>
3770	<a href="#">ROCKER ARMS, COVERS &amp; PUSHRODS - V<sup>2</sup>™ EVOLUTION</a>
37707-98A	<a href="#">CLUTCH</a>
3775	<a href="#">EXHAUST SYSTEM - FLSTS</a>
3784	<a href="#">GEAR SHIFTER (1 OF 2)</a>
3787	<a href="#">REAR BRAKE CONTROL - FLST MODELS</a> <a href="#">FRAME, REAR FORK &amp; JIFFY STAND (1 OF 2)</a>
37871-98A	<a href="#">CLUTCH</a>
37872-00	<a href="#">CLUTCH</a>
37883-98	<a href="#">CLUTCH</a>
37884-98	<a href="#">CLUTCH</a>
37903-90	<a href="#">CLUTCH</a>
37904-90	<a href="#">CLUTCH</a>
37905-00	<a href="#">CLUTCH</a>
37906-90	<a href="#">CLUTCH</a>
37909-90	<a href="#">CLUTCH</a>
37912-00	<a href="#">CLUTCH</a>
37913-98	<a href="#">CLUTCH</a>
37932-98	<a href="#">CLUTCH</a>
3793A	<a href="#">SEATS &amp; SISSY BARS</a>
3849	<a href="#">ROCKER ARMS, COVERS &amp; PUSHRODS - V<sup>2</sup>™ EVOLUTION</a>
38607-87A	<a href="#">CLUTCH CONTROL</a>

38608-96	<a href="#">CLUTCH CONTROL</a>
38630-88	<a href="#">CLUTCH CONTROL</a>
38647-98	<a href="#">CLUTCH CONTROL</a>
38653-01	<a href="#">THROTTLE CONTROL</a>
38713-97	<a href="#">CAM POSITION SENSOR &amp; VACUUM SWITCH</a>
3893	<a href="#">REAR TURN SIGNALS</a>
3953W	<a href="#">FRONT FORK - FLSTC &amp; FLSTF (1 OF 2)</a>
3960W	<a href="#">AUXILIARY/FOG LAMPS - FLSTC &amp; FLSTS, FRONT TURN SIGNALS - FLSTC (1 OF 2)</a>
3974HW	<a href="#">SEATS &amp; SISSY BARS</a>
3987	<a href="#">REAR BELT GUARD</a> <a href="#">FRAME, REAR FORK &amp; JIFFY STAND (1 OF 2)</a> <a href="#">FUEL TANK</a> <a href="#">OIL TANK</a>
3991	<a href="#">FRAME, REAR FORK &amp; JIFFY STAND (1 OF 2)</a>
3993	<a href="#">IGNITION MODULE &amp; COIL</a> <a href="#">GEAR SHIFTER (1 OF 2)</a>
39976-65B	<a href="#">BELTS, CHAINS &amp; SPROCKETS</a>
39990-65	<a href="#">BELTS, CHAINS &amp; SPROCKETS</a>
39992-65C	<a href="#">BELTS, CHAINS &amp; SPROCKETS</a>
39993-65	<a href="#">BELTS, CHAINS &amp; SPROCKETS</a>
39996-65	<a href="#">BELTS, CHAINS &amp; SPROCKETS</a>
39998-65A	<a href="#">BELTS, CHAINS &amp; SPROCKETS</a>
40007-36B	<a href="#">BELTS, CHAINS &amp; SPROCKETS</a>
40017-94	<a href="#">BELTS, CHAINS &amp; SPROCKETS</a>
4014W	<a href="#">AUXILIARY/FOG LAMPS - FLSTC &amp; FLSTS, FRONT TURN SIGNALS - FLSTC (1 OF 2)</a> <a href="#">FUEL TANK</a>
4017	<a href="#">GEAR SHIFTER (1 OF 2)</a> <a href="#">EXHAUST SYSTEM (1 OF 2)</a> <a href="#">EXHAUST SYSTEM - FLSTS</a> <a href="#">SADDLEBAGS - FLSTC</a>
40250-94C	<a href="#">BELTS, CHAINS &amp; SPROCKETS</a>
40251-92A	<a href="#">BELTS, CHAINS &amp; SPROCKETS</a>
40266-85	<a href="#">BELTS, CHAINS &amp; SPROCKETS</a>
40299-83A	<a href="#">BELTS, CHAINS &amp; SPROCKETS</a>
4029A	<a href="#">FRONT FORK - FLSTS</a>

40308-94	<a href="#">BELTS, CHAINS &amp; SPROCKETS</a>
40311-94	<a href="#">BELTS, CHAINS &amp; SPROCKETS</a> <a href="#">REAR WHEEL</a>
40312-94	<a href="#">BELTS, CHAINS &amp; SPROCKETS</a> <a href="#">REAR WHEEL</a>
4036	<a href="#">AUXILIARY/FOG LAMPS - FLSTC &amp; FLSTS, FRONT TURN SIGNALS - FLSTC (1 OF 2)</a>
40384-91	<a href="#">BELTS, CHAINS &amp; SPROCKETS</a>
40392-91	<a href="#">BELTS, CHAINS &amp; SPROCKETS</a>
4044	<a href="#">FRAME, REAR FORK &amp; JIFFY STAND (1 OF 2)</a>
4068A	<a href="#">REAR BRAKE CONTROL - FLST MODELS</a>
4074A	<a href="#">SHOCK ABSORBERS - REAR</a>
40903-87	<a href="#">REAR BRAKE CONTROL - FXST MODELS</a>
4091	<a href="#">FRONT BRAKE CONTROL</a> <a href="#">SWITCHES &amp; CIRCUIT BREAKERS</a>
40910-84B	<a href="#">FRONT WHEEL (1 OF 2)</a>
40918-87	<a href="#">REAR BRAKE CONTROL - FXST MODELS</a>
40920-87	<a href="#">REAR BRAKE CONTROL - FXST MODELS</a>
40922-87A	<a href="#">REAR BRAKE CONTROL - FXST MODELS</a> <a href="#">REAR BRAKE CONTROL - FLST MODELS</a>
40957-87C	<a href="#">REAR BRAKE CONTROL - FLST MODELS</a>
40975-86C	<a href="#">REAR WHEEL</a>
40976-86A	<a href="#">REAR WHEEL</a>
41038-92A	<a href="#">FRONT WHEEL (1 OF 2)</a>
41040-88B	<a href="#">FORK ROCKERS &amp; CALIPER MOUNTING - FXSTS</a>
41042-93	<a href="#">FRONT FENDER - FXSTS</a>
41047-97	<a href="#">FORK ROCKERS &amp; CALIPER MOUNTING - FLSTS</a>
41058-87B	<a href="#">REAR WHEEL</a>
41059-87	<a href="#">REAR WHEEL</a>
41109-88A	<a href="#">FRONT WHEEL (1 OF 2)</a>
41110-79A	<a href="#">REAR WHEEL</a>
41116-97	<a href="#">FRONT WHEEL (1 OF 2)</a>
41123-79	<a href="#">FRONT WHEEL (1 OF 2)</a> <a href="#">REAR WHEEL</a>

4132	<a href="#">CLUTCH CONTROL</a> <a href="#">FRONT BRAKE CONTROL</a>
4134	<a href="#">ALTERNATOR &amp; REGULATOR</a>
41584-86A	<a href="#">FRONT WHEEL (1 OF 2)</a>
41595-86	<a href="#">REAR WHEEL</a>
4163	<a href="#">FORK ROCKERS &amp; CALIPER MOUNTING - FLSTS</a> <a href="#">FOOTRESTS &amp; FOOTBOARDS</a>
4164	<a href="#">FORK ROCKERS &amp; CALIPER MOUNTING - FLSTS</a>
4165	<a href="#">FORK ROCKERS &amp; CALIPER MOUNTING - FLSTS</a>
4166	<a href="#">TAIL LAMP</a>
41713-86	<a href="#">FRONT BRAKE CONTROL</a> <a href="#">REAR BRAKE CONTROL - FLST MODELS</a>
41731-88A	<a href="#">FRONT BRAKE CONTROL</a> <a href="#">REAR BRAKE CONTROL - FXST MODELS</a> <a href="#">REAR BRAKE CONTROL - FLST MODELS</a>
41733-88	<a href="#">FRONT BRAKE CONTROL</a>
41739-84A	<a href="#">FRONT BRAKE CONTROL</a>
41745-79	<a href="#">REAR BRAKE CONTROL - FLST MODELS</a>
41747-82A	<a href="#">FRONT BRAKE CONTROL</a> <a href="#">REAR BRAKE CONTROL - FXST MODELS</a> <a href="#">REAR BRAKE CONTROL - FLST MODELS</a>
41789-92	<a href="#">REAR WHEEL</a>
41804-84A	<a href="#">REAR BRAKE CONTROL - FXST MODELS</a>
42269-30	<a href="#">REAR BRAKE CONTROL - FLST MODELS</a>
42301-87A	<a href="#">REAR BRAKE CONTROL - FLST MODELS</a>
42303-96	<a href="#">FRONT BRAKE CONTROL</a>
42305-96	<a href="#">FRONT BRAKE CONTROL</a>
42375-87	<a href="#">REAR BRAKE CONTROL - FLST MODELS</a>
42382-87C	<a href="#">REAR BRAKE CONTROL - FXST MODELS</a> <a href="#">REAR BRAKE CONTROL - FLST MODELS</a>
42407-87C	<a href="#">REAR BRAKE CONTROL - FLST MODELS</a>
42416-83	<a href="#">REAR BRAKE CONTROL - FLST MODELS</a>
42431-87A	<a href="#">REAR BRAKE CONTROL - FLST MODELS</a> <a href="#">FOOTRESTS &amp; FOOTBOARDS</a>
42446-87B	<a href="#">REAR BRAKE CONTROL - FXST MODELS</a>

42448-87	<a href="#">REAR BRAKE CONTROL - FXST MODELS</a>
42452-87	<a href="#">REAR BRAKE CONTROL - FXST MODELS</a>
42455-80	<a href="#">REAR BRAKE CONTROL - FXST MODELS</a>
42460-80B	<a href="#">REAR BRAKE CONTROL - FXST MODELS</a>
42468-87E	<a href="#">REAR BRAKE CONTROL - FLST MODELS</a>
42473-87	<a href="#">REAR BRAKE CONTROL - FLST MODELS</a>
42479-90	<a href="#">REAR BRAKE CONTROL - FLST MODELS</a>
42507-89A	<a href="#">REAR BRAKE CONTROL - FXST MODELS</a> <a href="#">FOOTRESTS &amp; FOOTBOARDS</a>
42515-82	<a href="#">REAR BRAKE CONTROL - FXST MODELS</a>
42522-87A	<a href="#">REAR BRAKE CONTROL - FXST MODELS</a>
42524-82A	<a href="#">REAR BRAKE CONTROL - FXST MODELS</a>
42531-87	<a href="#">REAR BRAKE CONTROL - FXST MODELS</a>
42532-82	<a href="#">REAR BRAKE CONTROL - FXST MODELS</a>
42533-91A	<a href="#">TRANSMISSION HOUSING (2 OF 2)</a>
42534-90	<a href="#">REAR BRAKE CONTROL - FXST MODELS</a>
43005-86C	<a href="#">FRONT WHEEL (1 OF 2)</a>
43016-97B	<a href="#">FRONT WHEEL (1 OF 2)</a>
43067-97	<a href="#">FRONT WHEEL (1 OF 2)</a>
43085-97	<a href="#">FRONT WHEEL (1 OF 2)</a> <a href="#">REAR WHEEL</a>
43155-97	<a href="#">FRONT WHEEL (1 OF 2)</a>
43157-83A	<a href="#">FRONT WHEEL (1 OF 2)</a> <a href="#">REAR WHEEL</a>
43239-05	<a href="#">FRONT WHEEL (1 OF 2)</a>
43241-05	<a href="#">FRONT WHEEL (1 OF 2)</a> <a href="#">REAR WHEEL</a>
4326A	<a href="#">STARTER MOTOR</a>
43283-86	<a href="#">FRAME, REAR FORK &amp; JIFFY STAND (2 OF 2)</a>
43290-82	<a href="#">FRONT WHEEL (1 OF 2)</a> <a href="#">REAR WHEEL</a>
43291-82	<a href="#">FRONT WHEEL (1 OF 2)</a> <a href="#">REAR WHEEL</a>
43292-82	<a href="#">FRONT WHEEL (1 OF 2)</a>

	<a href="#"><u>REAR WHEEL</u></a>
43293-82	<a href="#"><u>FRONT WHEEL (1 OF 2)</u></a> <a href="#"><u>REAR WHEEL</u></a>
43294-82	<a href="#"><u>FRONT WHEEL (1 OF 2)</u></a> <a href="#"><u>REAR WHEEL</u></a>
43346-83B	<a href="#"><u>FRONT WHEEL (1 OF 2)</u></a>
43360-97	<a href="#"><u>FRONT WHEEL (1 OF 2)</u></a>
43466-97	<a href="#"><u>FRONT FENDER - FLSTS</u></a>
43467-97	<a href="#"><u>FRONT FENDER - FLSTS</u></a>
4350A	<a href="#"><u>FRONT FORK - FXSTS</u></a> <a href="#"><u>FRONT FORK - FLSTS</u></a>
4352	<a href="#"><u>FRONT FORK - FLSTC &amp; FLSTF (1 OF 2)</u></a>
43567-92	<a href="#"><u>REAR WHEEL</u></a>
4358A	<a href="#"><u>STARTER MOTOR</u></a>
43608-82	<a href="#"><u>FRONT WHEEL (2 OF 2)</u></a> <a href="#"><u>REAR WHEEL</u></a>
43612-92	<a href="#"><u>FRONT WHEEL (2 OF 2)</u></a>
43614-97	<a href="#"><u>FRONT WHEEL (2 OF 2)</u></a>
43624-97	<a href="#"><u>FRONT WHEEL (1 OF 2)</u></a>
43650-82	<a href="#"><u>FRONT WHEEL (2 OF 2)</u></a> <a href="#"><u>REAR WHEEL</u></a>
43654-86A	<a href="#"><u>REAR WHEEL</u></a>
43657-89	<a href="#"><u>FRONT WHEEL (1 OF 2)</u></a>
43662-80B	<a href="#"><u>FRONT WHEEL (1 OF 2)</u></a>
43671-84C	<a href="#"><u>FRONT WHEEL (1 OF 2)</u></a>
43672-84A	<a href="#"><u>FRONT WHEEL (2 OF 2)</u></a>
43674-95	<a href="#"><u>FRONT WHEEL (1 OF 2)</u></a>
43676-88C	<a href="#"><u>FRONT WHEEL (1 OF 2)</u></a>
43677-88A	<a href="#"><u>FRONT WHEEL (2 OF 2)</u></a>
43683-97	<a href="#"><u>FRONT WHEEL (1 OF 2)</u></a>
43700-99A	<a href="#"><u>FRONT WHEEL (1 OF 2)</u></a>
43701-99	<a href="#"><u>FRONT WHEEL (2 OF 2)</u></a>
4391	<a href="#"><u>FRONT TURN SIGNALS</u></a>



43946-86	<a href="#">REAR BRAKE CALIPER</a>
43960-86	<a href="#">REAR BRAKE CALIPER</a>
44020-83	<a href="#">FRONT BRAKE CALIPER</a>
44021-83	<a href="#">FRONT BRAKE CALIPER</a>
44022-83	<a href="#">FRONT BRAKE CALIPER</a>
44029-88	<a href="#">FORK ROCKERS &amp; CALIPER MOUNTING - FXSTS</a>
44029-97	<a href="#">FRONT WHEEL (2 OF 2)</a>
44030-88A	<a href="#">FORK ROCKERS &amp; CALIPER MOUNTING - FXSTS</a>
44031-97	<a href="#">FORK ROCKERS &amp; CALIPER MOUNTING - FLSTS</a>
44035-86A	<a href="#">REAR BRAKE CALIPER</a>
44039-86	<a href="#">REAR BRAKE CALIPER</a>
44044-88B	<a href="#">FORK ROCKERS &amp; CALIPER MOUNTING - FXSTS</a>
44045-87	<a href="#">REAR BRAKE CALIPER</a>
44046-84C	<a href="#">FRONT BRAKE CALIPER</a>
44047-83	<a href="#">FRONT BRAKE CALIPER</a>
44048-83	<a href="#">FRONT BRAKE CALIPER</a> <a href="#">REAR BRAKE CALIPER</a>
44050-87	<a href="#">REAR BRAKE CALIPER</a>
44053-83B	<a href="#">FRONT BRAKE CALIPER</a>
44053-92A	<a href="#">FRONT BRAKE CALIPER</a>
44054-83	<a href="#">FRONT BRAKE CALIPER</a>
44059-83	<a href="#">FRONT BRAKE CALIPER</a>
44061-83	<a href="#">FRONT BRAKE CALIPER</a>
44062-83	<a href="#">FRONT BRAKE CALIPER</a>
44063-83C	<a href="#">FRONT BRAKE CALIPER</a>
44072-92A	<a href="#">FRONT BRAKE CALIPER</a>
44074-88B	<a href="#">FRONT BRAKE CALIPER</a>
44077-88F	<a href="#">FRONT BRAKE CALIPER</a>
44079-97C	<a href="#">FRONT BRAKE CALIPER</a>
44086-97	<a href="#">FORK ROCKERS &amp; CALIPER MOUNTING - FLSTS</a>
44097-97	<a href="#">FRONT BRAKE CALIPER</a>

4411	<a href="#">HEADLAMP (1 OF 2)</a>
44126-87	<a href="#">REAR BRAKE CONTROL - FXST MODELS</a> <a href="#">REAR BRAKE CONTROL - FLST MODELS</a>
44136-92	<a href="#">FRONT WHEEL (2 OF 2)</a>
44146-77	<a href="#">REAR BRAKE CALIPER</a>
44147-87A	<a href="#">REAR BRAKE CALIPER</a>
44152-77	<a href="#">REAR BRAKE CALIPER</a>
4416	<a href="#">CRANKCASE</a>
44190-88A	<a href="#">FRONT BRAKE CALIPER</a>
44197-77	<a href="#">FRONT BRAKE CALIPER</a>
44198-87	<a href="#">REAR BRAKE CALIPER</a>
44199-79	<a href="#">REAR BRAKE CALIPER</a>
44207-87	<a href="#">REAR BRAKE CALIPER</a>
44209-87C	<a href="#">REAR BRAKE CALIPER</a>
44215-97A	<a href="#">FRONT BRAKE CALIPER</a>
44236-97	<a href="#">FORK ROCKERS &amp; CALIPER MOUNTING - FLSTS</a>
44447-92	<a href="#">FRONT WHEEL (2 OF 2)</a>
4453	<a href="#">FRONT FORK - FLSTC &amp; FLSTF (1 OF 2)</a>
45004-85	<a href="#">REAR BRAKE CONTROL - FLST MODELS</a>
45004-96A	<a href="#">FRONT BRAKE CONTROL</a>
45005-85	<a href="#">REAR BRAKE CONTROL - FLST MODELS</a>
45006-96C	<a href="#">FRONT BRAKE CONTROL</a>
45015-96	<a href="#">CLUTCH CONTROL</a>
45016-96	<a href="#">FRONT BRAKE CONTROL</a>
45019-96D	<a href="#">FRONT BRAKE CONTROL</a>
45021-86	<a href="#">CLUTCH CONTROL</a>
45030-03C	<a href="#">FRONT BRAKE CONTROL</a>
45032-82	<a href="#">CLUTCH CONTROL</a> <a href="#">FRONT BRAKE CONTROL</a>
45036-88	<a href="#">CLUTCH CONTROL</a>
45042-82	<a href="#">REAR BRAKE CONTROL - FLST MODELS</a>
45042-96	<a href="#">FRONT BRAKE CONTROL</a>

45044-96A	<a href="#"><u>CLUTCH CONTROL</u></a> <a href="#"><u>FRONT BRAKE CONTROL</u></a>
45057-82	<a href="#"><u>REAR BRAKE CONTROL - FXST MODELS</u></a>
45110-96	<a href="#"><u>FRONT BRAKE CONTROL</u></a>
45112-96A	<a href="#"><u>FRONT BRAKE CONTROL</u></a>
45156-89E	<a href="#"><u>REAR BRAKE CONTROL - FXST MODELS</u></a>
45199-99B	<a href="#"><u>FRONT BRAKE CONTROL</u></a>
45209-97B	<a href="#"><u>FRONT BRAKE CONTROL</u></a>
45250-98B	<a href="#"><u>FRONT BRAKE CONTROL</u></a>
45405-75A	<a href="#"><u>FRONT FORK - FXST, FXSTC &amp; FXSTB</u></a> <a href="#"><u>FRONT FORK - FLSTC &amp; FLSTF (1 OF 2)</u></a>
45417-84	<a href="#"><u>FRONT FORK - FXST, FXSTC &amp; FXSTB</u></a>
45418-84	<a href="#"><u>FRONT FORK - FXST, FXSTC &amp; FXSTB</u></a>
45419-80	<a href="#"><u>FRONT FORK - FXST, FXSTC &amp; FXSTB</u></a> <a href="#"><u>FRONT FORK - FLSTC &amp; FLSTF (1 OF 2)</u></a>
45420-80	<a href="#"><u>FRONT FORK - FXST, FXSTC &amp; FXSTB</u></a>
45423-92	<a href="#"><u>CLUTCH CONTROL</u></a>
45423-96	<a href="#"><u>FRONT BRAKE CONTROL</u></a>
45456-86B	<a href="#"><u>FRONT FORK - FLSTC &amp; FLSTF (1 OF 2)</u></a>
45473-88	<a href="#"><u>FRONT FORK - FXSTS</u></a>
45491-97	<a href="#"><u>FRONT FORK - FLSTS</u></a>
45544-88	<a href="#"><u>HANDLEBAR</u></a>
45567-88	<a href="#"><u>FRONT FORK - FXSTS</u></a> <a href="#"><u>FRONT FORK - FLSTS</u></a>
45569-88B	<a href="#"><u>FRONT FORK - FXSTS</u></a>
45605-88	<a href="#"><u>FRONT FORK - FLSTC &amp; FLSTF (1 OF 2)</u></a>
45607-93	<a href="#"><u>FRONT FORK - FXSTS</u></a>
45611-86	<a href="#"><u>FRONT FORK - FXST, FXSTC &amp; FXSTB</u></a> <a href="#"><u>FRONT FORK - FLSTC &amp; FLSTF (1 OF 2)</u></a> <a href="#"><u>FRONT FORK - FXSTS</u></a>
45619-97	<a href="#"><u>FRONT FORK - FLSTS</u></a>
45628-92	<a href="#"><u>FRONT FORK - FXSTS</u></a> <a href="#"><u>FRONT FORK - FLSTS</u></a>
45629-97	<a href="#"><u>FORK ROCKERS &amp; CALIPER MOUNTING - FLSTS</u></a>

45631-97	<a href="#">FORK ROCKERS &amp; CALIPER MOUNTING - FLSTS</a>
45633-97A	<a href="#">FRONT FORK - FLSTS</a>
45640-88B	<a href="#">FRONT FORK - FXST, FXSTC &amp; FXSTB</a>
45648-85A	<a href="#">FRONT FORK - FXST, FXSTC &amp; FXSTB</a>
45649-91	<a href="#">FORK ROCKERS &amp; CALIPER MOUNTING - FXSTS</a>
45651-91	<a href="#">FORK ROCKERS &amp; CALIPER MOUNTING - FXSTS</a>
45655-88	<a href="#">FORK ROCKERS &amp; CALIPER MOUNTING - FXSTS</a> <a href="#">FORK ROCKERS &amp; CALIPER MOUNTING - FLSTS</a>
45656-97	<a href="#">FORK ROCKERS &amp; CALIPER MOUNTING - FLSTS</a>
45659-88	<a href="#">FORK ROCKERS &amp; CALIPER MOUNTING - FXSTS</a> <a href="#">FORK ROCKERS &amp; CALIPER MOUNTING - FLSTS</a>
45660-88A	<a href="#">FORK ROCKERS &amp; CALIPER MOUNTING - FXSTS</a> <a href="#">FORK ROCKERS &amp; CALIPER MOUNTING - FLSTS</a>
45662-88	<a href="#">FORK ROCKERS &amp; CALIPER MOUNTING - FXSTS</a> <a href="#">FORK ROCKERS &amp; CALIPER MOUNTING - FLSTS</a>
45663-88A	<a href="#">FORK ROCKERS &amp; CALIPER MOUNTING - FXSTS</a> <a href="#">FORK ROCKERS &amp; CALIPER MOUNTING - FLSTS</a>
45670-80A	<a href="#">FRONT FORK - FXST, FXSTC &amp; FXSTB</a> <a href="#">FRONT FORK - FLSTC &amp; FLSTF (1 OF 2)</a>
45672-80B	<a href="#">FRONT FORK - FXST, FXSTC &amp; FXSTB</a>
45717-63	<a href="#">FRONT FORK - FXST, FXSTC &amp; FXSTB</a>
45718-60	<a href="#">FRONT FORK - FXST, FXSTC &amp; FXSTB</a>
45733-48	<a href="#">FRONT FORK - FXST, FXSTC &amp; FXSTB</a> <a href="#">FRONT FORK - FLSTC &amp; FLSTF (1 OF 2)</a>
45830-48	<a href="#">OIL PUMP</a>
45832-77A	<a href="#">FRONT FORK - FXST, FXSTC &amp; FXSTB</a> <a href="#">FRONT FORK - FLSTC &amp; FLSTF (1 OF 2)</a>
45834-77	<a href="#">FRONT FORK - FXST, FXSTC &amp; FXSTB</a> <a href="#">FRONT FORK - FLSTC &amp; FLSTF (1 OF 2)</a>
45838-77	<a href="#">FRONT FORK - FXST, FXSTC &amp; FXSTB</a> <a href="#">FRONT FORK - FLSTC &amp; FLSTF (1 OF 2)</a>
45842-77A	<a href="#">FRONT FORK - FXST, FXSTC &amp; FXSTB</a> <a href="#">FRONT FORK - FLSTC &amp; FLSTF (1 OF 2)</a>
45845-77	<a href="#">FRONT FORK - FXST, FXSTC &amp; FXSTB</a> <a href="#">FRONT FORK - FLSTC &amp; FLSTF (1 OF 2)</a>
45855-77	<a href="#">FRONT FORK - FXST, FXSTC &amp; FXSTB</a>
45858-77	<a href="#">FRONT FORK - FXST, FXSTC &amp; FXSTB</a>

	<a href="#"><u>FRONT FORK - FLSTC &amp; FLSTF (1 OF 2)</u></a>
45859-77A	<a href="#"><u>FRONT FORK - FXST, FXSTC &amp; FXSTB</u></a> <a href="#"><u>FRONT FORK - FLSTC &amp; FLSTF (1 OF 2)</u></a>
45865-84	<a href="#"><u>FRONT FORK - FXST, FXSTC &amp; FXSTB</u></a> <a href="#"><u>FRONT FORK - FLSTC &amp; FLSTF (2 OF 2)</u></a>
45866-84	<a href="#"><u>FRONT FORK - FXST, FXSTC &amp; FXSTB</u></a> <a href="#"><u>FRONT FORK - FLSTC &amp; FLSTF (2 OF 2)</u></a>
45873-91A	<a href="#"><u>FRONT FORK - FXST, FXSTC &amp; FXSTB</u></a>
45874-91	<a href="#"><u>FRONT FORK - FXST, FXSTC &amp; FXSTB</u></a>
45875-84A	<a href="#"><u>FRONT FORK - FXST, FXSTC &amp; FXSTB</u></a> <a href="#"><u>FRONT FORK - FLSTC &amp; FLSTF (2 OF 2)</u></a>
45915-86	<a href="#"><u>FRONT FORK - FLSTC &amp; FLSTF (2 OF 2)</u></a>
45916-86	<a href="#"><u>FRONT FORK - FLSTC &amp; FLSTF (2 OF 2)</u></a>
45917-86	<a href="#"><u>FRONT FORK - FLSTC &amp; FLSTF (2 OF 2)</u></a>
45918-86	<a href="#"><u>FRONT FORK - FLSTC &amp; FLSTF (2 OF 2)</u></a>
45930-86	<a href="#"><u>FRONT FORK - FLSTC &amp; FLSTF (2 OF 2)</u></a>
45931-86	<a href="#"><u>FRONT FORK - FLSTC &amp; FLSTF (2 OF 2)</u></a>
45932-86	<a href="#"><u>FRONT FORK - FLSTC &amp; FLSTF (2 OF 2)</u></a>
45933-86	<a href="#"><u>FRONT FORK - FLSTC &amp; FLSTF (2 OF 2)</u></a>
45934-86	<a href="#"><u>FRONT FORK - FXST, FXSTC &amp; FXSTB</u></a> <a href="#"><u>FRONT FORK - FLSTC &amp; FLSTF (2 OF 2)</u></a>
45935-88	<a href="#"><u>FRONT FORK - FXSTS</u></a> <a href="#"><u>FRONT FORK - FLSTS</u></a>
45936-88	<a href="#"><u>FRONT FORK - FXSTS</u></a> <a href="#"><u>FRONT FORK - FLSTS</u></a>
45937-88	<a href="#"><u>FRONT FORK - FXSTS</u></a> <a href="#"><u>FRONT FORK - FLSTS</u></a>
45940-84	<a href="#"><u>FRONT FORK - FXST, FXSTC &amp; FXSTB</u></a> <a href="#"><u>FRONT FORK - FLSTC &amp; FLSTF (2 OF 2)</u></a>
45964-86	<a href="#"><u>FRONT FORK - FLSTC &amp; FLSTF (2 OF 2)</u></a>
45998-73	<a href="#"><u>FRONT FORK - FXST, FXSTC &amp; FXSTB</u></a> <a href="#"><u>FRONT FORK - FLSTC &amp; FLSTF (2 OF 2)</u></a>
46004-91A	<a href="#"><u>FRONT FORK - FXST, FXSTC &amp; FXSTB</u></a>
46006-91A	<a href="#"><u>FRONT FORK - FXST, FXSTC &amp; FXSTB</u></a>
46020-84	<a href="#"><u>FRONT FORK - FXST, FXSTC &amp; FXSTB</u></a>
46048-84	<a href="#"><u>FRONT FORK - FXST, FXSTC &amp; FXSTB</u></a>

46053-88	<a href="#">FRONT FORK - FXSTS</a> <a href="#">FRONT FORK - FLSTS</a>
46054-88	<a href="#">FRONT FORK - FXSTS</a> <a href="#">FRONT FORK - FLSTS</a>
46055-88	<a href="#">FRONT FORK - FXSTS</a> <a href="#">FRONT FORK - FLSTS</a>
46056-88	<a href="#">FRONT FORK - FXSTS</a> <a href="#">FRONT FORK - FLSTS</a>
46057-88	<a href="#">FRONT FORK - FXSTS</a> <a href="#">FRONT FORK - FLSTS</a>
46058-97	<a href="#">HANDLEBAR</a>
46059-90	<a href="#">HANDLEBAR</a>
46060-88	<a href="#">FRONT FORK - FXSTS</a> <a href="#">FRONT FORK - FLSTS</a>
46062-88	<a href="#">FRONT FORK - FXSTS</a> <a href="#">FRONT FORK - FLSTS</a>
47008-92B	<a href="#">FRAME, REAR FORK &amp; JIFFY STAND (2 OF 2)</a>
4713W	<a href="#">AIR CLEANER &amp; ENRICHENER</a> <a href="#">REAR BRAKE CONTROL - FLST MODELS</a>
4716W	<a href="#">CYLINDERS, VALVES &amp; HEADS - V<sup>2</sup>™ EVOLUTION</a> <a href="#">FOOTRESTS &amp; FOOTBOARDS</a> <a href="#">REAR FENDER &amp; SUPPORTS - FXST, FXSTC, FXSTS &amp; FXSTB</a> <a href="#">REAR FENDER &amp; SUPPORTS - FLSTC, FLSTF &amp; FLSTS</a>
4717A	<a href="#">TRANSMISSION HOUSING (1 OF 2)</a>
4718A	<a href="#">ROCKER ARMS, COVERS &amp; PUSHRODS - V<sup>2</sup>™ EVOLUTION</a> <a href="#">CRANKCASE - GEAR SIDE</a>
4719W	<a href="#">EXHAUST SYSTEM - FLSTS</a>
4721	<a href="#">SEATS &amp; SISSY BARS</a> <a href="#">FOOTRESTS &amp; FOOTBOARDS</a> <a href="#">REAR FENDER &amp; SUPPORTS - FXST, FXSTC, FXSTS &amp; FXSTB</a> <a href="#">REAR FENDER &amp; SUPPORTS - FLSTC, FLSTF &amp; FLSTS</a>
4722	<a href="#">HEADLAMP (1 OF 2)</a> <a href="#">EXHAUST SYSTEM (1 OF 2)</a>
4724	<a href="#">HEADLAMP (1 OF 2)</a>
4726	<a href="#">CYLINDERS, VALVES &amp; HEADS - V<sup>2</sup>™ EVOLUTION</a>
4729	<a href="#">FRONT FORK - FXST, FXSTC &amp; FXSTB</a> <a href="#">FRONT FORK - FLSTC &amp; FLSTF (1 OF 2)</a>
4740A	<a href="#">CRANKCASE - GEAR SIDE</a> <a href="#">TRANSMISSION HOUSING (1 OF 2)</a> <a href="#">PRIMARY HOUSING</a>

4741A	<a href="#">GEAR SHIFTER (1 OF 2)</a>
4742A	<a href="#">OIL PUMP</a>
4747	<a href="#">FORK ROCKERS &amp; CALIPER MOUNTING - FXSTS</a>
47519-83A	<a href="#">FRONT WHEEL (2 OF 2)</a> <a href="#">REAR WHEEL</a>
47573-89B	<a href="#">FRAME, REAR FORK &amp; JIFFY STAND (2 OF 2)</a>
47577-94	<a href="#">FRAME, REAR FORK &amp; JIFFY STAND (2 OF 2)</a>
47579-93	<a href="#">FRAME, REAR FORK &amp; JIFFY STAND (2 OF 2)</a>
4761	<a href="#">INSTRUMENTS</a>
47698-86B	<a href="#">FRAME, REAR FORK &amp; JIFFY STAND (2 OF 2)</a>
48031-89A	<a href="#">FRAME, REAR FORK &amp; JIFFY STAND (2 OF 2)</a>
48130-92B	<a href="#">FRAME, REAR FORK &amp; JIFFY STAND (2 OF 2)</a>
4813A	<a href="#">CRANKCASE - GEAR SIDE</a>
48140-84A	<a href="#">FRONT FORK - FXST, FXSTC &amp; FXSTB</a> <a href="#">FRONT FORK - FLSTC &amp; FLSTF (2 OF 2)</a> <a href="#">FRONT FORK - FXSTS</a> <a href="#">FRAME, REAR FORK &amp; JIFFY STAND (2 OF 2)</a>
4814A	<a href="#">TRANSMISSION HOUSING (1 OF 2)</a>
4816A	<a href="#">HANDLEBAR</a>
4820A	<a href="#">PRIMARY HOUSING</a>
48300-60	<a href="#">FRONT FORK - FXST, FXSTC &amp; FXSTB</a> <a href="#">FRONT FORK - FLSTC &amp; FLSTF (2 OF 2)</a> <a href="#">FRONT FORK - FXSTS</a> <a href="#">FRONT FORK - FLSTS</a>
48306-88	<a href="#">FRONT FORK - FXSTS</a> <a href="#">FRONT FORK - FLSTS</a>
48315-60	<a href="#">FRONT FORK - FXST, FXSTC &amp; FXSTB</a> <a href="#">FRONT FORK - FLSTC &amp; FLSTF (2 OF 2)</a> <a href="#">FRAME, REAR FORK &amp; JIFFY STAND (2 OF 2)</a>
48330-48A	<a href="#">FRONT FORK - FXST, FXSTC &amp; FXSTB</a>
48332-48C	<a href="#">FRONT FORK - FXST, FXSTC &amp; FXSTB</a>
48361-80	<a href="#">FRONT FORK - FXST, FXSTC &amp; FXSTB</a> <a href="#">FRONT FORK - FLSTC &amp; FLSTF (2 OF 2)</a> <a href="#">FRONT FORK - FXSTS</a> <a href="#">FRONT FORK - FLSTS</a>
48365-48A	<a href="#">FRONT FORK - FXST, FXSTC &amp; FXSTB</a> <a href="#">FRONT FORK - FLSTC &amp; FLSTF (2 OF 2)</a> <a href="#">FRONT FORK - FXSTS</a> <a href="#">FRONT FORK - FLSTS</a>

49166-97	<a href="#">FOOTRESTS &amp; FOOTBOARDS</a>
49377-09A	<a href="#">FRONT FORK - FXST, FXSTC &amp; FXSTB</a> <a href="#">FRONT FORK - FLSTC &amp; FLSTF (2 OF 2)</a>
4961	<a href="#">FRAME, REAR FORK &amp; JIFFY STAND (1 OF 2)</a>
50005-85A	<a href="#">FRAME, REAR FORK &amp; JIFFY STAND (2 OF 2)</a>
50015-74A	<a href="#">FRAME, REAR FORK &amp; JIFFY STAND (2 OF 2)</a>
50018-85	<a href="#">FRAME, REAR FORK &amp; JIFFY STAND (2 OF 2)</a>
50025-84	<a href="#">FRAME, REAR FORK &amp; JIFFY STAND (2 OF 2)</a>
50027-84	<a href="#">FRAME, REAR FORK &amp; JIFFY STAND (2 OF 2)</a>
50028-91	<a href="#">FRAME, REAR FORK &amp; JIFFY STAND (2 OF 2)</a>
50034-84	<a href="#">FRAME, REAR FORK &amp; JIFFY STAND (2 OF 2)</a>
50087-89B	<a href="#">FRAME, REAR FORK &amp; JIFFY STAND (2 OF 2)</a>
50614-91A	<a href="#">FOOTRESTS &amp; FOOTBOARDS</a>
50621-79A	<a href="#">FOOTRESTS &amp; FOOTBOARDS</a>
50635-82A	<a href="#">FOOTRESTS &amp; FOOTBOARDS</a>
508	<a href="#">FRONT WHEEL (1 OF 2)</a>
509	<a href="#">FRONT BRAKE CALIPER</a> <a href="#">FRONT FENDER - FLSTS</a>
50900-72	<a href="#">FOOTRESTS &amp; FOOTBOARDS</a>
50912-72	<a href="#">FOOTRESTS &amp; FOOTBOARDS</a>
50972-75	<a href="#">REAR BRAKE CONTROL - FLST MODELS</a> <a href="#">FRAME, REAR FORK &amp; JIFFY STAND (2 OF 2)</a> <a href="#">FOOTRESTS &amp; FOOTBOARDS</a>
50989-86	<a href="#">FOOTRESTS &amp; FOOTBOARDS</a>
50990-86B	<a href="#">FOOTRESTS &amp; FOOTBOARDS</a>
50991-86	<a href="#">FRONT FORK - FLSTC &amp; FLSTF (2 OF 2)</a>
50992-87A	<a href="#">REAR BRAKE CONTROL - FLST MODELS</a>
510	<a href="#">REAR WHEEL</a>
51170-93	<a href="#">SEATS &amp; SISSY BARS</a>
51175-95	<a href="#">SEATS &amp; SISSY BARS</a>
51184-88A	<a href="#">SEATS &amp; SISSY BARS</a>
51185-90	<a href="#">SEATS &amp; SISSY BARS</a>
51186-89B	<a href="#">SEATS &amp; SISSY BARS</a>



515	<a href="#">REAR BRAKE CONTROL - FXST MODELS</a> <a href="#">REAR BRAKE CONTROL - FLST MODELS</a>
51652-83B	<a href="#">SEATS &amp; SISSY BARS</a>
51793-99	<a href="#">SEAT - FLSTS</a>
51796-99	<a href="#">SEAT - FLSTS</a>
51923-86	<a href="#">SADDLEBAGS - FLSTC</a>
52014-97	<a href="#">SEAT - FLSTS</a>
5207	<a href="#">IGNITION MODULE &amp; COIL</a>
52092-77	<a href="#">LICENSE PLATE BRACKETS</a>
52152-97	<a href="#">SEAT - FLSTS</a>
5216	<a href="#">FRONT FENDER - FLSTS</a>
52191-86	<a href="#">SEATS &amp; SISSY BARS</a>
52209-90C	<a href="#">SEATS &amp; SISSY BARS</a>
52217-90C	<a href="#">SEATS &amp; SISSY BARS</a>
52236-86E	<a href="#">SEATS &amp; SISSY BARS</a>
52441-95	<a href="#">FRONT FENDER - FLSTS</a> <a href="#">TAIL LAMP</a>
52503-88E	<a href="#">SEATS &amp; SISSY BARS</a>
52521-94	<a href="#">SEATS &amp; SISSY BARS</a>
52541-87A	<a href="#">SEATS &amp; SISSY BARS</a>
52687-97	<a href="#">SEAT - FLSTS</a>
52735-85	<a href="#">SEATS &amp; SISSY BARS</a>
52771-82	<a href="#">SEATS &amp; SISSY BARS</a>
52787-92	<a href="#">SEATS &amp; SISSY BARS</a>
52788-92	<a href="#">SEATS &amp; SISSY BARS</a>
52912-00	<a href="#">SEATS &amp; SISSY BARS</a>
52988-98	<a href="#">SEATS &amp; SISSY BARS</a>
53156-86	<a href="#">HANDLEBAR</a>
53157-97	<a href="#">HANDLEBAR</a>
534	<a href="#">FRONT BRAKE CALIPER</a> <a href="#">FORK ROCKERS &amp; CALIPER MOUNTING - FXSTS</a>
53436-97	<a href="#">TAIL LAMP</a>

53438-92	<a href="#">HEADLAMP (2 OF 2)</a>
53439-79	<a href="#">FRONT FENDER - FXST, FXSTB, FXSTC, FLSTC &amp; FLSTF</a> <a href="#">REAR FENDER &amp; SUPPORTS - FLSTC, FLSTF &amp; FLSTS</a>
5403B	<a href="#">LICENSE PLATE BRACKETS</a>
5416	<a href="#">EXHAUST SYSTEM - FLSTS</a>
54321-85	<a href="#">FRONT WHEEL (2 OF 2)</a> <a href="#">REAR WHEEL</a>
5444	<a href="#">BELTS, CHAINS &amp; SPROCKETS</a>
54484-97	<a href="#">FRONT FORK - FLSTS</a>
54485-97	<a href="#">FRONT FORK - FXSTS</a>
54508-89A	<a href="#">SHOCK ABSORBERS - REAR</a>
5465	<a href="#">LICENSE PLATE BRACKETS</a>
55919-82	<a href="#">HANDLEBAR</a>
55933-97	<a href="#">HANDLEBAR</a>
56073-83	<a href="#">HANDLEBAR SWITCHES</a>
56081-82A	<a href="#">HANDLEBAR</a>
56093-88A	<a href="#">HANDLEBAR</a>
56102-99	<a href="#">HANDLEBAR</a>
56119-77A	<a href="#">HANDLEBAR</a>
56122-77	<a href="#">HANDLEBAR</a>
56124-77	<a href="#">HANDLEBAR</a>
56153-73	<a href="#">HANDLEBAR</a>
56159-73	<a href="#">HANDLEBAR</a>
56206-96	<a href="#">THROTTLE CONTROL</a>
56220-94A	<a href="#">THROTTLE CONTROL</a>
56224-99A	<a href="#">HANDLEBAR</a>
56305-96	<a href="#">THROTTLE CONTROL</a>
56306-96	<a href="#">THROTTLE CONTROL</a>
56342-96	<a href="#">THROTTLE CONTROL</a>
56343-96	<a href="#">THROTTLE CONTROL</a>
56394-74	<a href="#">THROTTLE CONTROL</a>
56396-74A	<a href="#">THROTTLE CONTROL</a>

56397-74C	<a href="#">THROTTLE CONTROL</a>
56402-83A	<a href="#">THROTTLE CONTROL</a>
56432-98	<a href="#">THROTTLE CONTROL</a>
56433-98	<a href="#">THROTTLE CONTROL</a>
56508-76	<a href="#">THROTTLE CONTROL</a>
56538-88	<a href="#">HANDLEBAR</a>
56540-88	<a href="#">HANDLEBAR</a>
56541-86A	<a href="#">HANDLEBAR</a>
56542-86A	<a href="#">HANDLEBAR</a>
56548-97	<a href="#">HANDLEBAR</a>
56550-97	<a href="#">HANDLEBAR</a>
56567-86B	<a href="#">HANDLEBAR</a>
56569-86	<a href="#">HANDLEBAR</a>
5710	<a href="#">FRONT FORK - FXST, FXSTC &amp; FXSTB</a> <a href="#">FRONT FORK - FLSTC &amp; FLSTF (1 OF 2)</a>
5714	<a href="#">MIRRORS</a>
57215-75	<a href="#">REAR BRAKE CONTROL - FLST MODELS</a>
57464-09	<a href="#">HANDLEBAR</a>
57465-09	<a href="#">HANDLEBAR</a>
5756	<a href="#">REAR WHEEL</a>
5775	<a href="#">FUEL TANK</a>
57852-02A	<a href="#">AUXILIARY/FOG LAMPS - FLSTC &amp; FLSTS, FRONT TURN SIGNALS - FLSTC (1 OF 2)</a>
5787	<a href="#">SADDLEBAGS - FLSTC</a>
5797A	<a href="#">REAR BRAKE CONTROL - FLST MODELS</a>
58013-97	<a href="#">WINDSHIELD - FLSTC</a>
58018-86A	<a href="#">WINDSHIELD - FLSTC</a>
58060-93	<a href="#">FRONT TURN SIGNALS</a>
5807	<a href="#">SADDLEBAGS - FLSTS</a>
58078-49	<a href="#">WINDSHIELD - FLSTC</a>
58079-49	<a href="#">WINDSHIELD - FLSTC</a>
58089-97	<a href="#">AUXILIARY/FOG LAMPS - FLSTC &amp; FLSTS, FRONT TURN SIGNALS - FLSTC (1 OF 2)</a>

58183-97	<a href="#">WINDSHIELD - FLSTC</a>
58401-97	<a href="#">WINDSHIELD - FLSTC</a>
58406-75A	<a href="#">WINDSHIELD - FLSTC</a>
58408-75A	<a href="#">WINDSHIELD - FLSTC</a>
58411-76A	<a href="#">WINDSHIELD - FLSTC</a>
58412-76A	<a href="#">WINDSHIELD - FLSTC</a>
58416-77A	<a href="#">WINDSHIELD - FLSTC</a>
58417-77	<a href="#">WINDSHIELD - FLSTC</a>
5885	<a href="#">AUXILIARY/FOG LAMPS - FLSTC &amp; FLSTS, FRONT TURN SIGNALS - FLSTC (1 OF 2)</a>
59043-93	<a href="#">FRONT FENDER - FXSTS</a>
59082-96	<a href="#">FRONT FENDER - FXST, FXSTB, FXSTC, FLSTC &amp; FLSTF</a>
59116-96	<a href="#">FRONT FENDER - FXST, FXSTB, FXSTC, FLSTC &amp; FLSTF</a>
59117-96	<a href="#">REAR FENDER &amp; SUPPORTS - FLSTC, FLSTF &amp; FLSTS</a>
59118-97	<a href="#">FRONT FENDER - FLSTS</a>
59122-97	<a href="#">FRONT FENDER - FLSTS</a>
59129-86A	<a href="#">FRONT FENDER - FXST, FXSTB, FXSTC, FLSTC &amp; FLSTF</a>
59139-97	<a href="#">FRONT FENDER - FXST, FXSTB, FXSTC, FLSTC &amp; FLSTF</a>
59154-97	<a href="#">EXHAUST SYSTEM (2 OF 2)</a>
59164-97A	<a href="#">FRONT FENDER - FLSTS</a>
59176-96A	<a href="#">FRONT FENDER - FXSTS</a>
59180-80	<a href="#">FRONT FENDER - FXST, FXSTB, FXSTC, FLSTC &amp; FLSTF</a>
59181-80	<a href="#">FRONT FENDER - FXST, FXSTB, FXSTC, FLSTC &amp; FLSTF</a>
59201-96	<a href="#">FRONT FENDER - FXST, FXSTB, FXSTC, FLSTC &amp; FLSTF</a>
59211-74A	<a href="#">FRONT FENDER - FXST, FXSTB, FXSTC, FLSTC &amp; FLSTF</a>
59235-86	<a href="#">FRONT FENDER - FXST, FXSTB, FXSTC, FLSTC &amp; FLSTF</a>
59251-90	<a href="#">REAR FENDER &amp; SUPPORTS - FLSTC, FLSTF &amp; FLSTS</a>
59254-91	<a href="#">FRONT FENDER - FXST, FXSTB, FXSTC, FLSTC &amp; FLSTF</a> <a href="#">REAR FENDER &amp; SUPPORTS - FXST, FXSTC, FXSTS &amp; FXSTB</a> <a href="#">REAR FENDER &amp; SUPPORTS - FLSTC, FLSTF &amp; FLSTS</a>
59255-91	<a href="#">SEATS &amp; SISSY BARS</a> <a href="#">REAR FENDER &amp; SUPPORTS - FXST, FXSTC, FXSTS &amp; FXSTB</a> <a href="#">REAR FENDER &amp; SUPPORTS - FLSTC, FLSTF &amp; FLSTS</a>
59258-91	<a href="#">FRAME, REAR FORK &amp; JIFFY STAND (2 OF 2)</a>

59259-90	<a href="#"><u>REAR FENDER &amp; SUPPORTS - FLSTC, FLSTF &amp; FLSTS</u></a> <a href="#"><u>LICENSE PLATE BRACKETS</u></a>
59261-91	<a href="#"><u>SEATS &amp; SISSY BARS</u></a>
59262-90B	<a href="#"><u>LICENSE PLATE BRACKETS</u></a>
59265-90	<a href="#"><u>FRAME, REAR FORK &amp; JIFFY STAND (2 OF 2)</u></a>
59336-97	<a href="#"><u>SADDLEBAGS - FLSTS</u></a>
59355-97	<a href="#"><u>FRONT FENDER - FLSTS</u></a> <a href="#"><u>FRONT FENDER - FLSTS</u></a>
59357-97	<a href="#"><u>FRONT FENDER - FLSTS</u></a>
59358-97	<a href="#"><u>FRONT FENDER - FLSTS</u></a>
59396-97	<a href="#"><u>SADDLEBAGS - FLSTS</u></a>
59626-84	<a href="#"><u>LICENSE PLATE BRACKETS</u></a>
59659-96	<a href="#"><u>REAR FENDER &amp; SUPPORTS - FLSTC, FLSTF &amp; FLSTS</u></a>
59753-97	<a href="#"><u>REAR FENDER &amp; SUPPORTS - FXST, FXSTC, FXSTS &amp; FXSTB</u></a>
59754-97	<a href="#"><u>REAR FENDER &amp; SUPPORTS - FLSTC, FLSTF &amp; FLSTS</u></a>
59755-97	<a href="#"><u>REAR FENDER &amp; SUPPORTS - FLSTC, FLSTF &amp; FLSTS</u></a>
59757-97	<a href="#"><u>REAR FENDER &amp; SUPPORTS - FLSTC, FLSTF &amp; FLSTS</u></a>
59768-97	<a href="#"><u>SEATS &amp; SISSY BARS</u></a> <a href="#"><u>SEAT - FLSTS</u></a>
59924-80B	<a href="#"><u>FRONT FENDER - FXST, FXSTB, FXSTC, FLSTC &amp; FLSTF</u></a>
59954-86A	<a href="#"><u>REAR FENDER &amp; SUPPORTS - FXST, FXSTC, FXSTS &amp; FXSTB</u></a> <a href="#"><u>REAR FENDER &amp; SUPPORTS - FLSTC, FLSTF &amp; FLSTS</u></a>
59955-86A	<a href="#"><u>REAR FENDER &amp; SUPPORTS - FXST, FXSTC, FXSTS &amp; FXSTB</u></a> <a href="#"><u>REAR FENDER &amp; SUPPORTS - FLSTC, FLSTF &amp; FLSTS</u></a>
59959-86	<a href="#"><u>REAR TURN SIGNALS</u></a>
59964-86A	<a href="#"><u>REAR FENDER &amp; SUPPORTS - FXST, FXSTC, FXSTS &amp; FXSTB</u></a> <a href="#"><u>REAR FENDER &amp; SUPPORTS - FLSTC, FLSTF &amp; FLSTS</u></a>
59969-86A	<a href="#"><u>REAR FENDER &amp; SUPPORTS - FXST, FXSTC, FXSTS &amp; FXSTB</u></a> <a href="#"><u>REAR FENDER &amp; SUPPORTS - FLSTC, FLSTF &amp; FLSTS</u></a>
59984-73	<a href="#"><u>LICENSE PLATE BRACKETS</u></a>
59986-75	<a href="#"><u>LICENSE PLATE BRACKETS</u></a>
59988-72A	<a href="#"><u>LICENSE PLATE BRACKETS</u></a>
59993-80B	<a href="#"><u>LICENSE PLATE BRACKETS</u></a>
60001-55	<a href="#"><u>LICENSE PLATE BRACKETS</u></a>

60003-89	<a href="#">LICENSE PLATE BRACKETS</a>
60005-77	<a href="#">LICENSE PLATE BRACKETS</a>
60020-97	<a href="#">LICENSE PLATE BRACKETS</a>
60021-97	<a href="#">LICENSE PLATE BRACKETS</a>
60026-97	<a href="#">LICENSE PLATE BRACKETS</a>
6003	<a href="#">TRANSMISSION GEARS</a>
60058-99	<a href="#">REAR FENDER &amp; SUPPORTS - FXST, FXSTC, FXSTS &amp; FXSTB</a>
60059-99	<a href="#">REAR FENDER &amp; SUPPORTS - FXST, FXSTC, FXSTS &amp; FXSTB</a>
60068-98	<a href="#">REAR FENDER &amp; SUPPORTS - FXST, FXSTC, FXSTS &amp; FXSTB</a>
60069-98	<a href="#">REAR FENDER &amp; SUPPORTS - FXST, FXSTC, FXSTS &amp; FXSTB</a>
601	<a href="#">GEAR SHIFTER (1 OF 2)</a>
6016	<a href="#">ROCKER ARMS, COVERS &amp; PUSHRODS - V2™ EVOLUTION</a> <a href="#">CRANKCASE</a> <a href="#">GEAR SHIFTER (1 OF 2)</a> <a href="#">TRANSMISSION HOUSING (1 OF 2)</a> <a href="#">PRIMARY HOUSING</a>
6019	<a href="#">CYLINDERS, VALVES &amp; HEADS - V2™ EVOLUTION</a> <a href="#">CRANKCASE</a> <a href="#">FRONT BRAKE CALIPER</a>
6035A	<a href="#">SWITCHES &amp; CIRCUIT BREAKERS</a>
6036	<a href="#">SEAT - FLSTS</a>
60363-86C	<a href="#">FRAME, REAR FORK &amp; JIFFY STAND (2 OF 2)</a>
60391-04	<a href="#">PRIMARY HOUSING</a>
6040A	<a href="#">FORK ROCKERS &amp; CALIPER MOUNTING - FXSTS</a>
60415-89C	<a href="#">REAR BELT GUARD</a>
6042A	<a href="#">FORK ROCKERS &amp; CALIPER MOUNTING - FXSTS</a> <a href="#">FORK ROCKERS &amp; CALIPER MOUNTING - FLSTS</a>
6047	<a href="#">SWITCHES &amp; CIRCUIT BREAKERS</a>
60537-89	<a href="#">REAR BELT GUARD</a>
60539-94B	<a href="#">PRIMARY HOUSING</a>
60543-99	<a href="#">PRIMARY HOUSING</a>
60543-99B	<a href="#">PRIMARY HOUSING</a>
60564-98	<a href="#">REAR BELT GUARD</a>
60567-90C	<a href="#">PRIMARY HOUSING</a>

6057	<a href="#">GEAR SHIFTER (1 OF 2)</a>
60572-86	<a href="#">PRIMARY HOUSING</a>
60586-99A	<a href="#">PRIMARY HOUSING</a>
60630-94B	<a href="#">PRIMARY HOUSING</a>
60647-94	<a href="#">STARTER MOTOR</a>
60668-99	<a href="#">PRIMARY HOUSING</a>
60678-85	<a href="#">PRIMARY HOUSING</a>
60713-99	<a href="#">PRIMARY HOUSING</a>
60714-98	<a href="#">PRIMARY HOUSING</a>
60715-99	<a href="#">PRIMARY HOUSING</a>
60715-99B	<a href="#">PRIMARY HOUSING</a>
6072	<a href="#">AUXILIARY/FOG LAMPS - FLSTC &amp; FLSTS, FRONT TURN SIGNALS - FLSTC (1 OF 2)</a>
60721-99	<a href="#">PRIMARY HOUSING</a>
60721-99B	<a href="#">PRIMARY HOUSING</a>
60724-98A	<a href="#">PRIMARY HOUSING</a>
6084	<a href="#">SWITCHES &amp; CIRCUIT BREAKERS</a>
609	<a href="#">TRANSMISSION HOUSING (1 OF 2)</a>
6099	<a href="#">OIL PUMP</a> <a href="#">REAR BRAKE CONTROL - FXST MODELS</a>
60993-99	<a href="#">FUEL TANK</a>
6101	<a href="#">CLUTCH CONTROL</a> <a href="#">FRONT BRAKE CONTROL</a>
6109	<a href="#">AIR CLEANER &amp; ENRICHENER</a> <a href="#">REAR BELT GUARD</a> <a href="#">AUXILIARY/FOG LAMPS - FLSTC &amp; FLSTS, FRONT TURN SIGNALS - FLSTC (1 OF 2)</a> <a href="#">FRONT FENDER - FLSTS</a> <a href="#">HORN</a>
61095-92	<a href="#">AIR CLEANER &amp; ENRICHENER</a>
61103-83B	<a href="#">FUEL TANK</a>
61109-85D	<a href="#">FUEL TANK</a>
61131-92	<a href="#">FUEL TANK</a>
61155-84B	<a href="#">FUEL TANK</a>
61165-89B	<a href="#">FUEL TANK</a>
6121	<a href="#">INSTRUMENTS</a>

61228-97	<a href="#">FUEL TANK</a>
6127	<a href="#">REAR TURN SIGNALS</a>
61272-92C	<a href="#">FUEL TANK</a>
61290-97	<a href="#">FUEL TANK</a>
61291-97	<a href="#">FUEL TANK</a>
61338-94D	<a href="#">FUEL TANK</a>
61426-97	<a href="#">FUEL TANK</a>
61450-95	<a href="#">FUEL TANK</a>
61640-84	<a href="#">FUEL TANK</a>
61641-84	<a href="#">FUEL TANK</a>
61648-85	<a href="#">LICENSE PLATE BRACKETS</a>
61660-85	<a href="#">FUEL TANK</a>
61667-90A	<a href="#">FUEL TANK</a>
61814-99	<a href="#">FUEL TANK TRIM</a>
61815-99	<a href="#">FUEL TANK TRIM</a>
61816-99	<a href="#">FUEL TANK TRIM</a>
61817-99	<a href="#">FUEL TANK TRIM</a>
62123-66	<a href="#">FRAME, REAR FORK &amp; JIFFY STAND (2 OF 2)</a>
62150-85	<a href="#">FUEL TANK</a>
62161-02	<a href="#">FUEL TANK</a>
62166-81A	<a href="#">FUEL TANK</a>
6217	<a href="#">STARTER MOTOR</a>
62172-02	<a href="#">FUEL TANK</a>
6220W	<a href="#">REAR BRAKE CONTROL - FLST MODELS</a>
6235	<a href="#">SADDLEBAGS - FLSTC</a>
62356-95	<a href="#">CARBURETOR (2 OF 2)</a> <a href="#">FUEL TANK</a>
62375-57A	<a href="#">TRANSMISSION HOUSING (2 OF 2)</a>
6239	<a href="#">OIL PUMP</a>
62491-95	<a href="#">OIL TANK</a>
62498-91	<a href="#">OIL TANK</a>



6253W	<a href="#">AIR CLEANER &amp; ENRICHENER</a>
62555-95	<a href="#">CARBURETOR (2 OF 2)</a> <a href="#">FUEL TANK</a>
62563-65	<a href="#">OIL TANK</a>
62634-84A	<a href="#">OIL TANK</a>
62704-84A	<a href="#">OIL TANK</a>
62707-84	<a href="#">OIL TANK</a>
62725-90	<a href="#">OIL TANK</a>
62793-97	<a href="#">FUEL TANK TRIM</a>
62840-98	<a href="#">OIL TANK</a>
6333	<a href="#">SEATS &amp; SISSY BARS</a>
6334	<a href="#">REAR BRAKE CONTROL - FLST MODELS</a>
634	<a href="#">TRANSMISSION HOUSING (1 OF 2)</a>
63515-92	<a href="#">OIL TANK</a>
6352	<a href="#">REAR BRAKE CONTROL - FLST MODELS</a>
63523-92A	<a href="#">OIL FILTER &amp; MOUNT</a>
63525-92	<a href="#">OIL FILTER &amp; MOUNT</a>
63528-92	<a href="#">OIL FILTER &amp; MOUNT</a>
6353	<a href="#">FRONT FORK - FXSTS</a> <a href="#">FRONT FORK - FLSTS</a>
63530-92	<a href="#">OIL FILTER &amp; MOUNT</a>
63533-41A	<a href="#">CRANKCASE</a> <a href="#">OIL PUMP</a>
63546-87	<a href="#">REAR BRAKE CONTROL - FXST MODELS</a>
63553-91	<a href="#">OIL TANK</a>
63556-87	<a href="#">OIL TANK</a>
63556-92	<a href="#">OIL FILTER &amp; MOUNT</a>
63572-86	<a href="#">OIL TANK</a>
6365	<a href="#">FUEL TANK</a>
6366	<a href="#">REAR BRAKE CONTROL - FXST MODELS</a> <a href="#">REAR BRAKE CONTROL - FLST MODELS</a>
6371	<a href="#">FORK ROCKERS &amp; CALIPER MOUNTING - FXSTS</a>
63731-99A	<a href="#">OIL FILTER &amp; MOUNT</a>

63798-99A	<a href="#">OIL FILTER &amp; MOUNT</a>
6379W	<a href="#">SEATS &amp; SISSY BARS</a> <a href="#">HEADLAMP (1 OF 2)</a> <a href="#">REAR FENDER &amp; SUPPORTS - FXST, FXSTC, FXSTS &amp; FXSTB</a> <a href="#">REAR FENDER &amp; SUPPORTS - FLSTC, FLSTF &amp; FLSTS</a>
63858-49	<a href="#">ROCKER ARMS, COVERS &amp; PUSHRODS - V<sup>2</sup><sup>TM</sup> EVOLUTION</a>
63859-95B	<a href="#">PRIMARY HOUSING</a>
6400HB	<a href="#">BELTS, CHAINS &amp; SPROCKETS</a> <a href="#">FOOTRESTS &amp; FOOTBOARDS</a>
6409	<a href="#">FRONT FENDER - FXSTS</a>
6497HW	<a href="#">GEAR SHIFTER (1 OF 2)</a>
6498	<a href="#">FORK ROCKERS &amp; CALIPER MOUNTING - FXSTS</a>
6506	<a href="#">PISTONS, CONNECTING RODS &amp; FLYWHEELS</a>
65071-98	<a href="#">EXHAUST SYSTEM (2 OF 2)</a>
65073-98	<a href="#">EXHAUST SYSTEM (2 OF 2)</a> <a href="#">EXHAUST SYSTEM (2 OF 2)</a>
65075-98	<a href="#">EXHAUST SYSTEM (2 OF 2)</a>
65077-98	<a href="#">EXHAUST SYSTEM (2 OF 2)</a> <a href="#">EXHAUST SYSTEM (2 OF 2)</a>
6516HW	<a href="#">CYLINDERS, VALVES &amp; HEADS - V<sup>2</sup><sup>TM</sup> EVOLUTION</a> <a href="#">REAR WHEEL</a>
65296-95A	<a href="#">EXHAUST SYSTEM (1 OF 2)</a> <a href="#">EXHAUST SYSTEM - FLSTS</a>
653	<a href="#">CRANKCASE</a> <a href="#">CRANKCASE - GEAR SIDE</a>
65311-97	<a href="#">EXHAUST SYSTEM - FLSTS</a>
65324-83B	<a href="#">EXHAUST SYSTEM (1 OF 2)</a> <a href="#">EXHAUST SYSTEM - FLSTS</a>
65325-83A	<a href="#">EXHAUST SYSTEM (1 OF 2)</a> <a href="#">EXHAUST SYSTEM - FLSTS</a>
65328-83A	<a href="#">EXHAUST SYSTEM (1 OF 2)</a> <a href="#">EXHAUST SYSTEM - FLSTS</a>
65364-97	<a href="#">EXHAUST SYSTEM - FLSTS</a>
65366-97	<a href="#">EXHAUST SYSTEM - FLSTS</a>
65401-95	<a href="#">EXHAUST SYSTEM (1 OF 2)</a>
65459-95	<a href="#">EXHAUST SYSTEM (1 OF 2)</a>
65464-95	<a href="#">EXHAUST SYSTEM (1 OF 2)</a>

65494-97	<a href="#">EXHAUST SYSTEM - FLSTS</a>
65499-95	<a href="#">EXHAUST SYSTEM (1 OF 2)</a>
65503-95	<a href="#">EXHAUST SYSTEM (1 OF 2)</a>
65513-97	<a href="#">EXHAUST SYSTEM - FLSTS</a>
65515-95	<a href="#">EXHAUST SYSTEM (1 OF 2)</a>
65522-91	<a href="#">EXHAUST SYSTEM (1 OF 2)</a>
65603-95	<a href="#">EXHAUST SYSTEM (1 OF 2)</a>
65650-97	<a href="#">EXHAUST SYSTEM - FLSTS</a>
65652-97	<a href="#">EXHAUST SYSTEM - FLSTS</a>
65654-97	<a href="#">EXHAUST SYSTEM - FLSTS</a>
65655-97	<a href="#">EXHAUST SYSTEM - FLSTS</a>
65679-97	<a href="#">EXHAUST SYSTEM - FLSTS</a>
65702-95	<a href="#">EXHAUST SYSTEM (1 OF 2)</a>
65708-97	<a href="#">EXHAUST SYSTEM - FLSTS</a>
65732-95	<a href="#">EXHAUST SYSTEM (1 OF 2)</a>
65734-95	<a href="#">EXHAUST SYSTEM (1 OF 2)</a> <a href="#">EXHAUST SYSTEM - FLSTS</a>
65750-95	<a href="#">EXHAUST SYSTEM (1 OF 2)</a>
65761-95	<a href="#">EXHAUST SYSTEM (1 OF 2)</a>
65777-95	<a href="#">EXHAUST SYSTEM (2 OF 2)</a>
65781-82	<a href="#">EXHAUST SYSTEM (2 OF 2)</a>
65782-82	<a href="#">EXHAUST SYSTEM (2 OF 2)</a>
65785-97	<a href="#">EXHAUST SYSTEM - FLSTS</a>
65793-97	<a href="#">EXHAUST SYSTEM - FLSTS</a>
65806-97	<a href="#">EXHAUST SYSTEM - FLSTS</a>
65813-95	<a href="#">EXHAUST SYSTEM (2 OF 2)</a> <a href="#">EXHAUST SYSTEM (2 OF 2)</a> <a href="#">EXHAUST SYSTEM (2 OF 2)</a>
65822-95	<a href="#">EXHAUST SYSTEM (1 OF 2)</a>
65833-97	<a href="#">EXHAUST SYSTEM - FLSTS</a>
65840-95	<a href="#">EXHAUST SYSTEM (1 OF 2)</a>
65853-95	<a href="#">EXHAUST SYSTEM (1 OF 2)</a>

65855-95	<a href="#">EXHAUST SYSTEM (1 OF 2)</a>
65864-95	<a href="#">EXHAUST SYSTEM (2 OF 2)</a> <a href="#">EXHAUST SYSTEM (2 OF 2)</a>
65869-97	<a href="#">EXHAUST SYSTEM (1 OF 2)</a>
65887-95	<a href="#">EXHAUST SYSTEM (2 OF 2)</a> <a href="#">EXHAUST SYSTEM (2 OF 2)</a>
65896-95	<a href="#">EXHAUST SYSTEM (2 OF 2)</a> <a href="#">EXHAUST SYSTEM (2 OF 2)</a>
65898-95	<a href="#">EXHAUST SYSTEM (2 OF 2)</a>
65900-95	<a href="#">EXHAUST SYSTEM (2 OF 2)</a> <a href="#">EXHAUST SYSTEM (2 OF 2)</a>
65902-95	<a href="#">EXHAUST SYSTEM (2 OF 2)</a>
65907-97A	<a href="#">EXHAUST SYSTEM - FLSTS</a>
65908-97	<a href="#">EXHAUST SYSTEM - FLSTS</a>
65909-97	<a href="#">EXHAUST SYSTEM - FLSTS</a>
6590HW	<a href="#">FRONT WHEEL (1 OF 2)</a>
65910-97	<a href="#">EXHAUST SYSTEM - FLSTS</a>
65911-97	<a href="#">EXHAUST SYSTEM - FLSTS</a>
65989-97C	<a href="#">BATTERY</a>
66020-97	<a href="#">BATTERY</a>
66030-88	<a href="#">FRONT FORK - FXSTS</a>
66109-93	<a href="#">BATTERY</a>
66111-93	<a href="#">BATTERY</a>
66210-97	<a href="#">BATTERY</a>
6639	<a href="#">FRONT WHEEL (1 OF 2)</a>
6645	<a href="#">WINDSHIELD - FLSTC</a> <a href="#">AUXILIARY/FOG LAMPS - FLSTC &amp; FLSTS, FRONT TURN SIGNALS - FLSTC (1 OF 2)</a> <a href="#">FUEL TANK</a> <a href="#">SWITCHES &amp; CIRCUIT BREAKERS</a>
6655	<a href="#">FRONT FORK - FLSTC &amp; FLSTF (1 OF 2)</a>
6701	<a href="#">SEATS &amp; SISSY BARS</a> <a href="#">HEADLAMP (1 OF 2)</a> <a href="#">REAR FENDER &amp; SUPPORTS - FXST, FXSTC, FXSTS &amp; FXSTB</a> <a href="#">REAR FENDER &amp; SUPPORTS - FLSTC, FLSTF &amp; FLSTS</a> <a href="#">EXHAUST SYSTEM (1 OF 2)</a> <a href="#">EXHAUST SYSTEM (1 OF 2)</a> <a href="#">EXHAUST SYSTEM - FLSTS</a> <a href="#">SADDLEBAGS - FLSTC</a>

	<a href="#"><u>SADDLEBAGS - FLSTS</u></a>
6702	<a href="#"><u>GEAR SHIFTER (1 OF 2)</u></a> <a href="#"><u>REAR BELT GUARD</u></a> <a href="#"><u>REAR BRAKE CONTROL - FLST MODELS</u></a> <a href="#"><u>FRONT FORK - FXST, FXSTC &amp; FXSTB</u></a> <a href="#"><u>FRONT FORK - FLSTC &amp; FLSTF (1 OF 2)</u></a> <a href="#"><u>FRAME, REAR FORK &amp; JIFFY STAND (1 OF 2)</u></a> <a href="#"><u>FRONT FENDER - FXST, FXSTB, FXSTC, FLSTC &amp; FLSTF</u></a> <a href="#"><u>EXHAUST SYSTEM (1 OF 2)</u></a> <a href="#"><u>EXHAUST SYSTEM - FLSTS</u></a> <a href="#"><u>SADDLEBAGS - FLSTC</u></a> <a href="#"><u>SADDLEBAGS - FLSTS</u></a>
67027-99A	<a href="#"><u>INSTRUMENTS</u></a>
6703	<a href="#"><u>BELTS, CHAINS &amp; SPROCKETS</u></a> <a href="#"><u>FRONT BRAKE CONTROL</u></a> <a href="#"><u>FRAME, REAR FORK &amp; JIFFY STAND (1 OF 2)</u></a> <a href="#"><u>LICENSE PLATE BRACKETS</u></a> <a href="#"><u>LICENSE PLATE BRACKETS</u></a> <a href="#"><u>OIL TANK</u></a> <a href="#"><u>EXHAUST SYSTEM (1 OF 2)</u></a> <a href="#"><u>EXHAUST SYSTEM (1 OF 2)</u></a> <a href="#"><u>EXHAUST SYSTEM - FLSTS</u></a>
67030-99A	<a href="#"><u>INSTRUMENTS</u></a>
67055-92	<a href="#"><u>REAR FENDER &amp; SUPPORTS - FLSTC, FLSTF &amp; FLSTS</u></a>
6716	<a href="#"><u>REAR BRAKE CONTROL - FXST MODELS</u></a> <a href="#"><u>LICENSE PLATE BRACKETS</u></a>
67184-94	<a href="#"><u>INSTRUMENTS</u></a>
67190-89	<a href="#"><u>INSTRUMENTS</u></a>
67239-83	<a href="#"><u>CALIFORNIA EVAPORATIVE EMISSIONS COMPONENTS</u></a>
6724	<a href="#"><u>SHOCK ABSORBERS - REAR</u></a>
67260-96	<a href="#"><u>INSTRUMENTS</u></a>
67271-99	<a href="#"><u>INSTRUMENTS</u></a>
67282-99A	<a href="#"><u>INSTRUMENTS</u></a>
6736	<a href="#"><u>ROCKER ARMS, COVERS &amp; PUSHRODS - V<sup>2</sup>™ EVOLUTION</u></a> <a href="#"><u>GEAR SHIFTER (1 OF 2)</u></a>
6737	<a href="#"><u>ROCKER ARMS, COVERS &amp; PUSHRODS - V<sup>2</sup>™ EVOLUTION</u></a>
6753	<a href="#"><u>HANDLEBAR</u></a>
6756	<a href="#"><u>FRONT FORK - FXSTS</u></a> <a href="#"><u>HANDLEBAR</u></a>
6758	<a href="#"><u>FRONT BRAKE CALIPER</u></a>
67601-94A	<a href="#"><u>HEADLAMP (1 OF 2)</u></a>

67602-94	<a href="#">HEADLAMP (2 OF 2)</a>
67603-94A	<a href="#">HEADLAMP (1 OF 2)</a>
67615-96	<a href="#">AUXILIARY/FOG LAMPS - FLSTC &amp; FLSTS, FRONT TURN SIGNALS - FLSTC (1 OF 2)</a>
6762B	<a href="#">ROCKER ARMS, COVERS &amp; PUSHRODS - V<sup>2</sup>™ EVOLUTION</a>
67652-96A	<a href="#">HEADLAMP (2 OF 2)</a>
67653-96	<a href="#">HEADLAMP (2 OF 2)</a>
67654-96	<a href="#">HEADLAMP (2 OF 2)</a>
67655-96A	<a href="#">HEADLAMP (2 OF 2)</a>
67656-96	<a href="#">HEADLAMP (2 OF 2)</a>
67659-96	<a href="#">HEADLAMP (2 OF 2)</a>
67685-92	<a href="#">HEADLAMP (1 OF 2)</a>
67691-92	<a href="#">HEADLAMP (2 OF 2)</a>
67698-81D	<a href="#">HEADLAMP (1 OF 2)</a>
67705-92	<a href="#">HEADLAMP (1 OF 2)</a>
67713-86	<a href="#">HEADLAMP (1 OF 2)</a>
6771A	<a href="#">OIL FILTER &amp; MOUNT</a>
67757-92	<a href="#">HEADLAMP (1 OF 2)</a>
67763-92A	<a href="#">HEADLAMP (2 OF 2)</a>
67768-97	<a href="#">HEADLAMP (1 OF 2)</a>
67769-93	<a href="#">HEADLAMP (1 OF 2)</a>
67770-96	<a href="#">HEADLAMP (1 OF 2)</a>
67772-97	<a href="#">HEADLAMP (1 OF 2)</a>
67773-80A	<a href="#">FRONT FORK - FXST, FXSTC &amp; FXSTB</a> <a href="#">HEADLAMP (1 OF 2)</a>
67781-92A	<a href="#">HEADLAMP (2 OF 2)</a>
67790-93A	<a href="#">HEADLAMP (1 OF 2)</a>
67793-92A	<a href="#">HEADLAMP (2 OF 2)</a>
67798-92	<a href="#">HEADLAMP (2 OF 2)</a>
67801-92A	<a href="#">HEADLAMP (2 OF 2)</a>
67808-86	<a href="#">FRONT FORK - FLSTC &amp; FLSTF (2 OF 2)</a>
67814-86	<a href="#">FRONT FORK - FLSTC &amp; FLSTF (2 OF 2)</a>

67816-86	<a href="#">FRONT FORK - FLSTC &amp; FLSTF (2 OF 2)</a>
67819-86	<a href="#">FRONT FORK - FLSTC &amp; FLSTF (2 OF 2)</a>
67821-87	<a href="#">FRONT FORK - FLSTC &amp; FLSTF (2 OF 2)</a>
67822-88	<a href="#">FRONT TURN SIGNALS</a>
67824-96A	<a href="#">HEADLAMP (1 OF 2)</a>
67827-88A	<a href="#">FRONT TURN SIGNALS</a>
67828-88A	<a href="#">FRONT TURN SIGNALS</a>
67829-88	<a href="#">FRONT TURN SIGNALS</a>
67841-96A	<a href="#">HEADLAMP (1 OF 2)</a>
67846-70	<a href="#">AUXILIARY/FOG LAMPS - FLSTC &amp; FLSTS, FRONT TURN SIGNALS - FLSTC (1 OF 2)</a>
67854-98	<a href="#">INSTRUMENTS</a>
67858-89	<a href="#">AUXILIARY/FOG LAMPS - FLSTC &amp; FLSTS, FRONT TURN SIGNALS - FLSTC (1 OF 2)</a>
6788	<a href="#">SADDLEBAGS - FLSTC</a>
67880-94	<a href="#">INSTRUMENTS</a>
67892-93	<a href="#">HEADLAMP (1 OF 2)</a>
67894-93A	<a href="#">HEADLAMP (1 OF 2)</a>
67903-96A	<a href="#">HEADLAMP (1 OF 2)</a>
67904-96	<a href="#">HEADLAMP (2 OF 2)</a>
67905-96	<a href="#">HEADLAMP (2 OF 2)</a>
67906-97A	<a href="#">HEADLAMP (1 OF 2)</a>
67915-97	<a href="#">AUXILIARY/FOG LAMPS - FLSTC &amp; FLSTS, FRONT TURN SIGNALS - FLSTC (1 OF 2)</a>
67920-96	<a href="#">HEADLAMP (2 OF 2)</a>
68024-94	<a href="#">INSTRUMENTS</a>
68026-73	<a href="#">TAIL LAMP</a>
68027-90	<a href="#">TAIL LAMP</a>
68032-90	<a href="#">TAIL LAMP</a>
68033-90	<a href="#">TAIL LAMP</a>
68036-91	<a href="#">TAIL LAMP</a>
68046-79	<a href="#">REAR FENDER &amp; SUPPORTS - FLSTC, FLSTF &amp; FLSTS</a>
68047-79	<a href="#">REAR FENDER &amp; SUPPORTS - FLSTC, FLSTF &amp; FLSTS</a>
68048-93B	<a href="#">TAIL LAMP</a>

68049-93B	<a href="#">TAIL LAMP</a>
68050-93A	<a href="#">HEADLAMP (1 OF 2)</a>
68051-93A	<a href="#">HEADLAMP (1 OF 2)</a>
68052-93	<a href="#">HEADLAMP (1 OF 2)</a>
68081-96	<a href="#">REAR FENDER &amp; SUPPORTS - FLSTC, FLSTF &amp; FLSTS</a>
6812	<a href="#">FRONT FORK - FXSTS</a> <a href="#">FRONT FORK - FLSTS</a> <a href="#">FORK ROCKERS &amp; CALIPER MOUNTING - FXSTS</a> <a href="#">FORK ROCKERS &amp; CALIPER MOUNTING - FLSTS</a>
68123-73	<a href="#">TAIL LAMP</a>
68163-84	<a href="#">AUXILIARY/FOG LAMPS - FLSTC &amp; FLSTS, FRONT TURN SIGNALS - FLSTC (2 OF 2)</a> <a href="#">FRONT TURN SIGNALS</a> <a href="#">REAR TURN SIGNALS</a>
68168-89A	<a href="#">AUXILIARY/FOG LAMPS - FLSTC &amp; FLSTS, FRONT TURN SIGNALS - FLSTC (1 OF 2)</a> <a href="#">FRONT TURN SIGNALS</a> <a href="#">TAIL LAMP</a>
68169-90A	<a href="#">TAIL LAMP</a>
68226-97	<a href="#">TAIL LAMP</a>
68233-97	<a href="#">TAIL LAMP</a>
68234-97	<a href="#">TAIL LAMP</a>
68235-97	<a href="#">TAIL LAMP</a>
68236-97	<a href="#">TAIL LAMP</a>
68237-97	<a href="#">TAIL LAMP</a>
68238-97	<a href="#">TAIL LAMP</a>
68239-97	<a href="#">TAIL LAMP</a>
6829	<a href="#">FRONT FORK - FXSTS</a> <a href="#">FRONT FORK - FLSTS</a>
68329-03	<a href="#">HEADLAMP (1 OF 2)</a>
68348-05	<a href="#">AUXILIARY/FOG LAMPS - FLSTC &amp; FLSTS, FRONT TURN SIGNALS - FLSTC (1 OF 2)</a>
68355-05	<a href="#">AUXILIARY/FOG LAMPS - FLSTC &amp; FLSTS, FRONT TURN SIGNALS - FLSTC (1 OF 2)</a>
68385-97	<a href="#">HORN</a>
68414-05	<a href="#">AUXILIARY/FOG LAMPS - FLSTC &amp; FLSTS, FRONT TURN SIGNALS - FLSTC (1 OF 2)</a>
68440-86	<a href="#">AUXILIARY/FOG LAMPS - FLSTC &amp; FLSTS, FRONT TURN SIGNALS - FLSTC (1 OF 2)</a> <a href="#">REAR TURN SIGNALS</a>
68452-86	<a href="#">AUXILIARY/FOG LAMPS - FLSTC &amp; FLSTS, FRONT TURN SIGNALS - FLSTC (1 OF 2)</a> <a href="#">FRONT TURN SIGNALS</a>



	<a href="#"><u>REAR TURN SIGNALS</u></a>
68453-05	<a href="#"><u>AUXILIARY/FOG LAMPS - FLSTC &amp; FLSTS, FRONT TURN SIGNALS - FLSTC (1 OF 2)</u></a>
68457-86	<a href="#"><u>FRONT TURN SIGNALS</u></a> <a href="#"><u>REAR TURN SIGNALS</u></a>
68480-73	<a href="#"><u>REAR TURN SIGNALS</u></a>
68493-90	<a href="#"><u>REAR TURN SIGNALS</u></a> <a href="#"><u>REAR TURN SIGNALS</u></a>
68505-90	<a href="#"><u>AUXILIARY/FOG LAMPS - FLSTC &amp; FLSTS, FRONT TURN SIGNALS - FLSTC (2 OF 2)</u></a>
68506-92	<a href="#"><u>REAR TURN SIGNALS</u></a>
68507-90	<a href="#"><u>REAR TURN SIGNALS</u></a>
68510-74C	<a href="#"><u>REAR TURN SIGNALS</u></a>
68519-68A	<a href="#"><u>AUXILIARY/FOG LAMPS - FLSTC &amp; FLSTS, FRONT TURN SIGNALS - FLSTC (1 OF 2)</u></a>
68540-96	<a href="#"><u>SWITCHES &amp; CIRCUIT BREAKERS</u></a>
68562-84	<a href="#"><u>FRONT BRAKE CONTROL</u></a>
68566-90	<a href="#"><u>FRONT TURN SIGNALS</u></a>
68572-64B	<a href="#"><u>REAR TURN SIGNALS</u></a>
68619-83	<a href="#"><u>AUXILIARY/FOG LAMPS - FLSTC &amp; FLSTS, FRONT TURN SIGNALS - FLSTC (1 OF 2)</u></a>
68650-92	<a href="#"><u>HEADLAMP (2 OF 2)</u></a>
68654-92	<a href="#"><u>HEADLAMP (2 OF 2)</u></a>
68671-69D	<a href="#"><u>AUXILIARY/FOG LAMPS - FLSTC &amp; FLSTS, FRONT TURN SIGNALS - FLSTC (1 OF 2)</u></a>
68672-38	<a href="#"><u>AUXILIARY/FOG LAMPS - FLSTC &amp; FLSTS, FRONT TURN SIGNALS - FLSTC (1 OF 2)</u></a>
68674-69A	<a href="#"><u>AUXILIARY/FOG LAMPS - FLSTC &amp; FLSTS, FRONT TURN SIGNALS - FLSTC (1 OF 2)</u></a>
68683-02	<a href="#"><u>AUXILIARY/FOG LAMPS - FLSTC &amp; FLSTS, FRONT TURN SIGNALS - FLSTC (1 OF 2)</u></a>
68705-93A	<a href="#"><u>HEADLAMP (2 OF 2)</u></a>
68709-94	<a href="#"><u>FRONT TURN SIGNALS</u></a>
68710-94	<a href="#"><u>FRONT TURN SIGNALS</u></a>
68713-94A	<a href="#"><u>REAR TURN SIGNALS</u></a>
68720-62	<a href="#"><u>AUXILIARY/FOG LAMPS - FLSTC &amp; FLSTS, FRONT TURN SIGNALS - FLSTC (1 OF 2)</u></a>
68721-62	<a href="#"><u>AUXILIARY/FOG LAMPS - FLSTC &amp; FLSTS, FRONT TURN SIGNALS - FLSTC (1 OF 2)</u></a>
68725-62A	<a href="#"><u>AUXILIARY/FOG LAMPS - FLSTC &amp; FLSTS, FRONT TURN SIGNALS - FLSTC (1 OF 2)</u></a>
68730-98	<a href="#"><u>AUXILIARY/FOG LAMPS - FLSTC &amp; FLSTS, FRONT TURN SIGNALS - FLSTC (2 OF 2)</u></a>
68731-98	<a href="#"><u>AUXILIARY/FOG LAMPS - FLSTC &amp; FLSTS, FRONT TURN SIGNALS - FLSTC (2 OF 2)</u></a>

68743-99	<a href="#">INSTRUMENTS</a>
68760-94	<a href="#">REAR TURN SIGNALS</a>
68765-94A	<a href="#">REAR TURN SIGNALS</a>
68766-94	<a href="#">AUXILIARY/FOG LAMPS - FLSTC &amp; FLSTS, FRONT TURN SIGNALS - FLSTC (1 OF 2)</a>
68767-94	<a href="#">AUXILIARY/FOG LAMPS - FLSTC &amp; FLSTS, FRONT TURN SIGNALS - FLSTC (2 OF 2)</a>
68798-97	<a href="#">AUXILIARY/FOG LAMPS - FLSTC &amp; FLSTS, FRONT TURN SIGNALS - FLSTC (1 OF 2)</a>
68802-95	<a href="#">REAR TURN SIGNALS</a>
68803-95	<a href="#">REAR TURN SIGNALS</a>
68820-98	<a href="#">INSTRUMENTS</a>
68846-98C	<a href="#">AUXILIARY/FOG LAMPS - FLSTC &amp; FLSTS, FRONT TURN SIGNALS - FLSTC (2 OF 2)</a>
68847-98A	<a href="#">AUXILIARY/FOG LAMPS - FLSTC &amp; FLSTS, FRONT TURN SIGNALS - FLSTC (2 OF 2)</a>
68989-98	<a href="#">FRONT TURN SIGNALS</a>
69012-93A	<a href="#">HORN</a>
69039-09	<a href="#">HORN</a>
69060-90F	<a href="#">HORN</a> <a href="#">HORN</a>
69062-91A	<a href="#">HORN</a>
69069-97	<a href="#">HORN</a>
69070-97B	<a href="#">HORN</a>
69120-91	<a href="#">HORN</a>
69122-95	<a href="#">HORN</a>
69123-92A	<a href="#">HORN</a>
69126-92	<a href="#">AIR CLEANER &amp; ENRICHENER</a>
69127-97	<a href="#">AIR CLEANER &amp; ENRICHENER</a>
69152-01A	<a href="#">HORN</a>
70041-95	<a href="#">ALTERNATOR &amp; REGULATOR</a>
70044-96	<a href="#">SWITCHES &amp; CIRCUIT BREAKERS</a>
70060-92B	<a href="#">BATTERY</a>
70078-96	<a href="#">BATTERY</a>
7012	<a href="#">FORK ROCKERS &amp; CALIPER MOUNTING - FXSTS</a>
70197-86	<a href="#">HANDLEBAR</a>

70216-98	<a href="#">WIRING HARNESS, MAIN</a>
70345-84	<a href="#">HANDLEBAR</a> <a href="#">HANDLEBAR SWITCHES</a> <a href="#">HANDLEBAR SWITCHES</a>
7036	<a href="#">IGNITION MODULE &amp; COIL</a> <a href="#">LICENSE PLATE BRACKETS</a>
7038	<a href="#">REAR BRAKE CONTROL - FLST MODELS</a> <a href="#">FOOTRESTS &amp; FOOTBOARDS</a> <a href="#">HEADLAMP (1 OF 2)</a> <a href="#">EXHAUST SYSTEM (1 OF 2)</a> <a href="#">EXHAUST SYSTEM (1 OF 2)</a> <a href="#">EXHAUST SYSTEM - FLSTS</a>
7039	<a href="#">CYLINDERS, VALVES &amp; HEADS - V2™ EVOLUTION</a> <a href="#">FRONT FORK - FXST, FXSTC &amp; FXSTB</a> <a href="#">FRONT FORK - FLSTC &amp; FLSTF (1 OF 2)</a>
7041	<a href="#">STARTER MOTOR</a> <a href="#">GEAR SHIFTER (1 OF 2)</a> <a href="#">FRONT FORK - FXST, FXSTC &amp; FXSTB</a> <a href="#">FRONT FORK - FLSTC &amp; FLSTF (1 OF 2)</a> <a href="#">FRAME, REAR FORK &amp; JIFFY STAND (1 OF 2)</a> <a href="#">AUXILIARY/FOG LAMPS - FLSTC &amp; FLSTS, FRONT TURN SIGNALS - FLSTC (1 OF 2)</a> <a href="#">AUXILIARY/FOG LAMPS - FLSTC &amp; FLSTS, FRONT TURN SIGNALS - FLSTC (1 OF 2)</a> <a href="#">FUEL TANK</a> <a href="#">EXHAUST SYSTEM (1 OF 2)</a> <a href="#">EXHAUST SYSTEM - FLSTS</a>
7042	<a href="#">REAR TURN SIGNALS</a>
7045	<a href="#">REAR TURN SIGNALS</a>
70504-81	<a href="#">THROTTLE CONTROL</a>
70579-65	<a href="#">WIRING HARNESS, MAIN</a>
70586-93	<a href="#">HEADLAMP (2 OF 2)</a>
7068	<a href="#">FRONT WHEEL (1 OF 2)</a> <a href="#">SEATS &amp; SISSY BARS</a> <a href="#">FOOTRESTS &amp; FOOTBOARDS</a> <a href="#">HANDLEBAR</a> <a href="#">SADDLEBAGS - FLSTS</a>
7069	<a href="#">AUXILIARY/FOG LAMPS - FLSTC &amp; FLSTS, FRONT TURN SIGNALS - FLSTC (1 OF 2)</a>
7073	<a href="#">WINDSHIELD - FLSTC</a>
70932-96A	<a href="#">SWITCHES &amp; CIRCUIT BREAKERS</a>
70933-90	<a href="#">CALIFORNIA EVAPORATIVE EMISSIONS COMPONENTS</a>
70940-96	<a href="#">SWITCHES &amp; CIRCUIT BREAKERS</a>
7101	<a href="#">REAR TURN SIGNALS</a>
71146-94	<a href="#">INSTRUMENTS</a>
7124	<a href="#">ALTERNATOR &amp; REGULATOR</a>

	<a href="#">FRONT FORK - FLSTC &amp; FLSTF (1 OF 2)</a> <a href="#">FRAME, REAR FORK &amp; JIFFY STAND (1 OF 2)</a>
71254-96	<a href="#">INSTRUMENTS</a>
71255-96	<a href="#">INSTRUMENTS</a>
71265-95	<a href="#">INSTRUMENTS</a>
7127	<a href="#">FRONT TURN SIGNALS</a> <a href="#">MIRRORS</a>
7129	<a href="#">HANDLEBAR</a>
71302-93A	<a href="#">INSTRUMENTS</a>
7130W	<a href="#">HEADLAMP (1 OF 2)</a>
71313-96A	<a href="#">INSTRUMENTS</a> <a href="#">SWITCHES &amp; CIRCUIT BREAKERS</a>
7142	<a href="#">FRAME, REAR FORK &amp; JIFFY STAND (1 OF 2)</a>
71452-91A	<a href="#">INSTRUMENTS</a> <a href="#">SWITCHES &amp; CIRCUIT BREAKERS</a>
7152	<a href="#">REAR TURN SIGNALS</a>
71563-96	<a href="#">HANDLEBAR SWITCHES</a>
71564-96	<a href="#">HANDLEBAR SWITCHES</a>
71567-96	<a href="#">HANDLEBAR SWITCHES</a>
71568-96A	<a href="#">HANDLEBAR SWITCHES</a>
71598-96A	<a href="#">HANDLEBAR SWITCHES</a>
71621-08	<a href="#">HANDLEBAR SWITCHES</a>
71682-06A	<a href="#">HANDLEBAR SWITCHES</a>
71683-06A	<a href="#">HANDLEBAR SWITCHES</a>
71684-06A	<a href="#">HANDLEBAR SWITCHES</a>
720	<a href="#">CRANKCASE</a>
72023-51E	<a href="#">REAR BRAKE CONTROL - FXST MODELS</a> <a href="#">REAR BRAKE CONTROL - FLST MODELS</a> <a href="#">SWITCHES &amp; CIRCUIT BREAKERS</a>
72038-71A	<a href="#">WIRING HARNESS, MAIN</a>
72039-71A	<a href="#">WIRING HARNESS, MAIN</a>
72043-71A	<a href="#">WIRING HARNESS, MAIN</a>
72044-71A	<a href="#">WIRING HARNESS, MAIN</a>
72046-79	<a href="#">WIRING HARNESS, MAIN</a>

72056-92	<a href="#">HEADLAMP (2 OF 2)</a>
72102-94BK	<a href="#">WIRING HARNESS, MAIN</a>
72103-94BK	<a href="#">CAM POSITION SENSOR &amp; VACUUM SWITCH</a>
72106-94BK	<a href="#">WIRING HARNESS, MAIN</a>
72108-94BK	<a href="#">WIRING HARNESS, MAIN</a>
72112-94BK	<a href="#">CAM POSITION SENSOR &amp; VACUUM SWITCH</a>
72113-94BK	<a href="#">INSTRUMENTS</a> <a href="#">WIRING HARNESS, MAIN</a>
72116-94BK	<a href="#">HANDLEBAR SWITCHES</a>
72118-94BK	<a href="#">IGNITION MODULE &amp; COIL</a>
72138-94GY	<a href="#">WIRING HARNESS, MAIN</a>
72142-94	<a href="#">WIRING HARNESS, MAIN</a>
72143-94	<a href="#">CAM POSITION SENSOR &amp; VACUUM SWITCH</a> <a href="#">TRANSMISSION HOUSING (2 OF 2)</a>
72146-94	<a href="#">WIRING HARNESS, MAIN</a>
72147-96	<a href="#">SWITCHES &amp; CIRCUIT BREAKERS</a>
72148-94	<a href="#">WIRING HARNESS, MAIN</a>
72152-94	<a href="#">CAM POSITION SENSOR &amp; VACUUM SWITCH</a>
72153-94	<a href="#">INSTRUMENTS</a> <a href="#">WIRING HARNESS, MAIN</a>
72156-94	<a href="#">HANDLEBAR SWITCHES</a>
72158-94	<a href="#">IGNITION MODULE &amp; COIL</a> <a href="#">WIRING HARNESS, MAIN</a>
72163-94BK	<a href="#">TRANSMISSION HOUSING (2 OF 2)</a>
72176-94	<a href="#">HANDLEBAR SWITCHES</a>
72190-94	<a href="#">CAM POSITION SENSOR &amp; VACUUM SWITCH</a> <a href="#">TRANSMISSION HOUSING (2 OF 2)</a> <a href="#">WIRING HARNESS, MAIN</a>
72191-94	<a href="#">IGNITION MODULE &amp; COIL</a> <a href="#">CAM POSITION SENSOR &amp; VACUUM SWITCH</a> <a href="#">INSTRUMENTS</a> <a href="#">WIRING HARNESS, MAIN</a> <a href="#">HANDLEBAR SWITCHES</a>
72195-94	<a href="#">IGNITION MODULE &amp; COIL</a> <a href="#">WIRING HARNESS, MAIN</a>
72199-94	<a href="#">CAM POSITION SENSOR &amp; VACUUM SWITCH</a> <a href="#">TRANSMISSION HOUSING (2 OF 2)</a>

	<a href="#"><u>WIRING HARNESS, MAIN</u></a>
7220	<a href="#"><u>FRONT BRAKE CONTROL</u></a>
72216-94	<a href="#"><u>WIRING HARNESS, MAIN</u></a>
72217-94	<a href="#"><u>WIRING HARNESS, MAIN</u></a>
72218-94	<a href="#"><u>WIRING HARNESS, MAIN</u></a>
72241-94A	<a href="#"><u>WIRING HARNESS, MAIN</u></a>
72242-94	<a href="#"><u>ALTERNATOR &amp; REGULATOR</u></a>
72249-94	<a href="#"><u>ALTERNATOR &amp; REGULATOR</u></a>
72255-94	<a href="#"><u>WIRING HARNESS, MAIN</u></a>
72266-94	<a href="#"><u>INSTRUMENTS</u></a> <a href="#"><u>WIRING HARNESS, MAIN</u></a> <a href="#"><u>HANDLEBAR SWITCHES</u></a>
72291-94	<a href="#"><u>WIRING HARNESS, MAIN</u></a>
72292-94	<a href="#"><u>WIRING HARNESS, MAIN</u></a>
72293-94	<a href="#"><u>WIRING HARNESS, MAIN</u></a>
72295-94	<a href="#"><u>WIRING HARNESS, MAIN</u></a>
7230	<a href="#"><u>GEAR SHIFTER (1 OF 2)</u></a> <a href="#"><u>FRAME, REAR FORK &amp; JIFFY STAND (1 OF 2)</u></a> <a href="#"><u>FOOTRESTS &amp; FOOTBOARDS</u></a>
7232	<a href="#"><u>FRONT FORK - FXSTS</u></a> <a href="#"><u>FRONT FORK - FLSTS</u></a>
72328-96	<a href="#"><u>SWITCHES &amp; CIRCUIT BREAKERS</u></a>
72366-95	<a href="#"><u>WIRING HARNESS, MAIN</u></a>
72405-98BK	<a href="#"><u>WIRING HARNESS, MAIN</u></a>
72405-98TN	<a href="#"><u>WIRING HARNESS, MAIN</u></a>
728	<a href="#"><u>FRAME, REAR FORK &amp; JIFFY STAND (1 OF 2)</u></a>
73102-96BK	<a href="#"><u>HEADLAMP (2 OF 2)</u></a>
73103-96BK	<a href="#"><u>WIRING HARNESS, MAIN</u></a>
73104-96BK	<a href="#"><u>WIRING HARNESS, MAIN</u></a>
73106-96BK	<a href="#"><u>WIRING HARNESS, MAIN</u></a>
73108-96BK	<a href="#"><u>WIRING HARNESS, MAIN</u></a>
73112-96BK	<a href="#"><u>WIRING HARNESS, MAIN</u></a>
73152-96BK	<a href="#"><u>AUXILIARY/FOG LAMPS - FLSTC &amp; FLSTS, FRONT TURN SIGNALS - FLSTC (1 OF 2)</u></a> <a href="#"><u>REAR TURN SIGNALS</u></a>

73152-96WE	<a href="#">AUXILIARY/FOG LAMPS - FLSTC &amp; FLSTS, FRONT TURN SIGNALS - FLSTC (1 OF 2)</a>
73154-96BK	<a href="#">HEADLAMP (2 OF 2)</a>
73156-96BK	<a href="#">AUXILIARY/FOG LAMPS - FLSTC &amp; FLSTS, FRONT TURN SIGNALS - FLSTC (1 OF 2)</a> <a href="#">FRONT TURN SIGNALS</a>
73158-96BK	<a href="#">REAR TURN SIGNALS</a> <a href="#">TAIL LAMP</a>
73162-96BK	<a href="#">INSTRUMENTS</a>
73190-96	<a href="#">HEADLAMP (2 OF 2)</a> <a href="#">WIRING HARNESS, MAIN</a>
73191-96	<a href="#">HEADLAMP (2 OF 2)</a> <a href="#">AUXILIARY/FOG LAMPS - FLSTC &amp; FLSTS, FRONT TURN SIGNALS - FLSTC (1 OF 2)</a> <a href="#">FRONT FENDER - FLSTS</a> <a href="#">INSTRUMENTS</a> <a href="#">FRONT TURN SIGNALS</a> <a href="#">REAR TURN SIGNALS</a> <a href="#">TAIL LAMP</a>
73199-96	<a href="#">WIRING HARNESS, MAIN</a>
739A	<a href="#">TRANSMISSION HOUSING (1 OF 2)</a> <a href="#">PRIMARY HOUSING</a>
74119-98BK	<a href="#">INSTRUMENTS</a>
74159-98	<a href="#">INSTRUMENTS</a>
74191-98	<a href="#">INSTRUMENTS</a>
74195-98	<a href="#">INSTRUMENTS</a>
74412-91	<a href="#">WIRING HARNESS, MAIN</a>
74437-96B	<a href="#">TRANSMISSION HOUSING (2 OF 2)</a>
74519-88A	<a href="#">ALTERNATOR &amp; REGULATOR</a>
74587-94	<a href="#">WIRING HARNESS, MAIN</a> <a href="#">SWITCHES &amp; CIRCUIT BREAKERS</a>
74599-77B	<a href="#">WIRING HARNESS, MAIN</a> <a href="#">SWITCHES &amp; CIRCUIT BREAKERS</a>
7481	<a href="#">HORN</a>
7484	<a href="#">SEAT - FLSTS</a>
7485	<a href="#">SEAT - FLSTS</a>
7495	<a href="#">HORN</a>
7497	<a href="#">INSTRUMENTS</a>
7501	<a href="#">TAIL LAMP</a> <a href="#">TAIL LAMP</a>

7506	<a href="#">CRANKCASE</a>
7507	<a href="#">GEAR SHIFTER (1 OF 2)</a> <a href="#">REAR BELT GUARD</a> <a href="#">FRONT FENDER - FXST, FXSTB, FXSTC, FLSTC &amp; FLSTF</a> <a href="#">SADDLEBAGS - FLSTC</a> <a href="#">SADDLEBAGS - FLSTS</a>
7515	<a href="#">GEAR SHIFTER (1 OF 2)</a>
7527	<a href="#">FRAME, REAR FORK &amp; JIFFY STAND (1 OF 2)</a>
7531	<a href="#">FRONT FENDER - FXST, FXSTB, FXSTC, FLSTC &amp; FLSTF</a> <a href="#">FRONT FENDER - FXSTS</a> <a href="#">OIL TANK</a> <a href="#">SADDLEBAGS - FLSTS</a>
755	<a href="#">FRONT FENDER - FXST, FXSTB, FXSTC, FLSTC &amp; FLSTF</a> <a href="#">FRONT FENDER - FLSTS</a>
7588	<a href="#">FORK ROCKERS &amp; CALIPER MOUNTING - FXSTS</a>
7593	<a href="#">CRANKCASE</a> <a href="#">EXHAUST SYSTEM (1 OF 2)</a> <a href="#">EXHAUST SYSTEM - FLSTS</a>
7600	<a href="#">FRONT FENDER - FXST, FXSTB, FXSTC, FLSTC &amp; FLSTF</a>
7601	<a href="#">CYLINDERS, VALVES &amp; HEADS - V<sup>2</sup>™ EVOLUTION</a> <a href="#">AIR CLEANER &amp; ENRICHENER</a> <a href="#">EXHAUST SYSTEM - FLSTS</a>
7606	<a href="#">HEADLAMP (1 OF 2)</a>
7613A	<a href="#">FRONT FENDER - FXST, FXSTB, FXSTC, FLSTC &amp; FLSTF</a>
762	<a href="#">SEAT - FLSTS</a>
7624	<a href="#">FRONT FENDER - FXST, FXSTB, FXSTC, FLSTC &amp; FLSTF</a> <a href="#">LICENSE PLATE BRACKETS</a> <a href="#">HORN</a>
7627	<a href="#">FORK ROCKERS &amp; CALIPER MOUNTING - FXSTS</a>
7629	<a href="#">CRANKCASE - GEAR SIDE</a> <a href="#">IGNITION MODULE &amp; COIL</a> <a href="#">FRONT FENDER - FXST, FXSTB, FXSTC, FLSTC &amp; FLSTF</a> <a href="#">REAR FENDER &amp; SUPPORTS - FLSTC, FLSTF &amp; FLSTS</a> <a href="#">LICENSE PLATE BRACKETS</a> <a href="#">WIRING HARNESS, MAIN</a> <a href="#">SWITCHES &amp; CIRCUIT BREAKERS</a>
7643W	<a href="#">SEATS &amp; SISSY BARS</a> <a href="#">REAR FENDER &amp; SUPPORTS - FXST, FXSTC, FXSTS &amp; FXSTB</a> <a href="#">REAR FENDER &amp; SUPPORTS - FLSTC, FLSTF &amp; FLSTS</a>
7651A	<a href="#">WINDSHIELD - FLSTC</a>
7667	<a href="#">FORK ROCKERS &amp; CALIPER MOUNTING - FXSTS</a> <a href="#">FOOTRESTS &amp; FOOTBOARDS</a>
7669	<a href="#">REAR BELT GUARD</a>



7680W	<a href="#">FRONT FORK - FXSTS</a> <a href="#">FRONT FORK - FLSTS</a> <a href="#">SEATS &amp; Sissy BARS</a> <a href="#">REAR FENDER &amp; SUPPORTS - FXST, FXSTC, FXSTS &amp; FXSTB</a> <a href="#">REAR FENDER &amp; SUPPORTS - FLSTC, FLSTF &amp; FLSTS</a> <a href="#">REAR FENDER &amp; SUPPORTS - FLSTC, FLSTF &amp; FLSTS</a>
7686	<a href="#">SEAT - FLSTS</a> <a href="#">OIL TANK</a>
7688	<a href="#">ALTERNATOR &amp; REGULATOR</a> <a href="#">LICENSE PLATE BRACKETS</a> <a href="#">INSTRUMENTS</a>
7716	<a href="#">FOOTRESTS &amp; FOOTBOARDS</a>
7736	<a href="#">MIRRORS</a>
7739	<a href="#">FRONT WHEEL (1 OF 2)</a> <a href="#">FRONT FENDER - FLSTS</a>
7740	<a href="#">REAR BRAKE CONTROL - FLST MODELS</a>
7742	<a href="#">REAR BRAKE CONTROL - FXST MODELS</a> <a href="#">FRAME, REAR FORK &amp; JIFFY STAND (1 OF 2)</a>
7744	<a href="#">REAR BRAKE CONTROL - FXST MODELS</a> <a href="#">FRONT TURN SIGNALS</a>
7748W	<a href="#">REAR BRAKE CONTROL - FLST MODELS</a> <a href="#">FRONT FORK - FLSTC &amp; FLSTF (1 OF 2)</a> <a href="#">FRAME, REAR FORK &amp; JIFFY STAND (1 OF 2)</a>
7753	<a href="#">FRONT TURN SIGNALS</a>
7768W	<a href="#">HANDLEBAR</a>
7775	<a href="#">REAR FENDER &amp; SUPPORTS - FLSTC, FLSTF &amp; FLSTS</a>
7778	<a href="#">BELTS, CHAINS &amp; SPROCKETS</a> <a href="#">FRAME, REAR FORK &amp; JIFFY STAND (1 OF 2)</a> <a href="#">FOOTRESTS &amp; FOOTBOARDS</a> <a href="#">AUXILIARY/FOG LAMPS - FLSTC &amp; FLSTS, FRONT TURN SIGNALS - FLSTC (1 OF 2)</a> <a href="#">SADDLEBAGS - FLSTC</a> <a href="#">SADDLEBAGS - FLSTS</a>
7783	<a href="#">FRAME, REAR FORK &amp; JIFFY STAND (1 OF 2)</a>
7792	<a href="#">LICENSE PLATE BRACKETS</a> <a href="#">LICENSE PLATE BRACKETS</a> <a href="#">LICENSE PLATE BRACKETS</a>
7800W	<a href="#">HEADLAMP (1 OF 2)</a> <a href="#">REAR TURN SIGNALS</a> <a href="#">REAR TURN SIGNALS</a>
7825	<a href="#">REAR BRAKE CONTROL - FLST MODELS</a>
7838	<a href="#">STARTER MOTOR</a>
7848W	<a href="#">CLUTCH</a>

7855W	<a href="#">REAR BRAKE CONTROL - FXST MODELS</a>
7862	<a href="#">FORK ROCKERS &amp; CALIPER MOUNTING - FLSTS</a>
7868	<a href="#">SADDLEBAGS - FLSTC</a>
7880	<a href="#">FORK ROCKERS &amp; CALIPER MOUNTING - FLSTS</a>
7883	<a href="#">CRANKCASE</a>
7892	<a href="#">AUXILIARY/FOG LAMPS - FLSTC &amp; FLSTS, FRONT TURN SIGNALS - FLSTC (1 OF 2)</a>
7899A	<a href="#">REAR BELT GUARD</a>
7901	<a href="#">SADDLEBAGS - FLSTS</a>
7916A	<a href="#">CRANKCASE - GEAR SIDE</a>
7942	<a href="#">FRAME, REAR FORK &amp; JIFFY STAND (1 OF 2)</a>
7945	<a href="#">SWITCHES &amp; CIRCUIT BREAKERS</a>
7956	<a href="#">FRONT WHEEL (1 OF 2)</a>
7959	<a href="#">FRONT FORK - FXSTS</a> <a href="#">FRONT FORK - FLSTS</a>
7962	<a href="#">FRONT FORK - FXST, FXSTC &amp; FXSTB</a>
7987	<a href="#">FRONT WHEEL (1 OF 2)</a> <a href="#">REAR WHEEL</a>
7994	<a href="#">FRONT WHEEL (1 OF 2)</a>
8099	<a href="#">CALIFORNIA EVAPORATIVE EMISSIONS COMPONENTS</a>
8108	<a href="#">REAR BRAKE CONTROL - FLST MODELS</a> <a href="#">FRONT FORK - FLSTC &amp; FLSTF (1 OF 2)</a> <a href="#">FRAME, REAR FORK &amp; JIFFY STAND (1 OF 2)</a> <a href="#">FUEL TANK</a> <a href="#">HORN</a>
83162-51	<a href="#">CRANKCASE - GEAR SIDE</a>
8476	<a href="#">FUEL TANK</a>
8483A	<a href="#">LICENSE PLATE BRACKETS</a> <a href="#">SWITCHES &amp; CIRCUIT BREAKERS</a>
8535	<a href="#">AIR CLEANER &amp; ENRICHENER</a>
855B	<a href="#">FRONT BRAKE CALIPER</a> <a href="#">FRONT FORK - FXSTS</a> <a href="#">FRONT FORK - FLSTS</a>
856A	<a href="#">GEAR SHIFTER (1 OF 2)</a>
858A	<a href="#">PRIMARY HOUSING</a>
861A	<a href="#">EXHAUST SYSTEM - FLSTS</a>

864A	<a href="#"><u>AIR CLEANER &amp; ENRICHENER</u></a>
868A	<a href="#"><u>SEATS &amp; SISSY BARS</u></a>
8699	<a href="#"><u>CAM POSITION SENSOR &amp; VACUUM SWITCH</u></a>
872A	<a href="#"><u>FOOTRESTS &amp; FOOTBOARDS</u></a>
882	<a href="#"><u>ROCKER ARMS, COVERS &amp; PUSHRODS - V<sup>2</sup>™ EVOLUTION</u></a>
8871	<a href="#"><u>STARTER MOTOR</u></a>
8873	<a href="#"><u>OIL PUMP</u></a> <a href="#"><u>TRANSMISSION HOUSING (1 OF 2)</u></a>
8876A	<a href="#"><u>TRANSMISSION GEARS</u></a>
8879	<a href="#"><u>STARTER MOTOR</u></a>
8883	<a href="#"><u>STARTER MOTOR</u></a>
891	<a href="#"><u>OIL PUMP</u></a>
8977	<a href="#"><u>TRANSMISSION HOUSING (1 OF 2)</u></a>
8992A	<a href="#"><u>TRANSMISSION HOUSING (1 OF 2)</u></a>
8996A	<a href="#"><u>TRANSMISSION HOUSING (1 OF 2)</u></a>
9028	<a href="#"><u>CRANKCASE</u></a>
90291-03	<a href="#"><u>SADDLEBAGS - FLSTS</u></a>
90346-94	<a href="#"><u>SADDLEBAGS - FLSTC</u></a> <a href="#"><u>SADDLEBAGS - FLSTS</u></a>
90361-94A	<a href="#"><u>SADDLEBAGS - FLSTC</u></a>
90367-97	<a href="#"><u>SADDLEBAGS - FLSTS</u></a>
90438-10	<a href="#"><u>SADDLEBAGS - FLSTC</u></a>
90467-97	<a href="#"><u>SADDLEBAGS - FLSTS</u></a>
90470-90	<a href="#"><u>SADDLEBAGS - FLSTC</u></a>
90471-90	<a href="#"><u>SADDLEBAGS - FLSTC</u></a>
90473-94	<a href="#"><u>SADDLEBAGS - FLSTC</u></a> <a href="#"><u>SADDLEBAGS - FLSTS</u></a>
90476-93	<a href="#"><u>SADDLEBAGS - FLSTC</u></a>
90477-93	<a href="#"><u>SADDLEBAGS - FLSTC</u></a>
9052	<a href="#"><u>FRONT WHEEL (1 OF 2)</u></a> <a href="#"><u>REAR WHEEL</u></a>
9058	<a href="#"><u>CRANKCASE - GEAR SIDE</u></a>
9076	<a href="#"><u>FRAME, REAR FORK &amp; JIFFY STAND (1 OF 2)</u></a>

9077	<a href="#"><u>STARTER MOTOR</u></a>
90770-79	<a href="#"><u>CLUTCH CONTROL</u></a>
90785-94	<a href="#"><u>SADDLEBAGS - FLSTC</u></a>
90787-94	<a href="#"><u>SADDLEBAGS - FLSTC</u></a>
9110	<a href="#"><u>CRANKCASE</u></a>
9114	<a href="#"><u>GEAR SHIFTER (1 OF 2)</u></a>
9115	<a href="#"><u>GEAR SHIFTER (1 OF 2)</u></a>
9120	<a href="#"><u>CRANKCASE</u></a>
9121	<a href="#"><u>CRANKCASE</u></a>
9122	<a href="#"><u>CRANKCASE</u></a>
9123	<a href="#"><u>CRANKCASE</u></a>
9124	<a href="#"><u>CRANKCASE</u></a>
9125	<a href="#"><u>CRANKCASE</u></a>
9126	<a href="#"><u>CRANKCASE</u></a>
9127	<a href="#"><u>CRANKCASE</u></a>
9128	<a href="#"><u>CRANKCASE</u></a>
9129	<a href="#"><u>CRANKCASE</u></a>
91299-99A	<a href="#"><u>SADDLEBAGS - FLSTS</u></a>
9130	<a href="#"><u>CRANKCASE</u></a>
91300-99A	<a href="#"><u>SADDLEBAGS - FLSTS</u></a>
9131	<a href="#"><u>CRANKCASE</u></a>
9132	<a href="#"><u>CRANKCASE</u></a>
9133	<a href="#"><u>CRANKCASE</u></a>
9134	<a href="#"><u>CRANKCASE</u></a>
9135	<a href="#"><u>PRIMARY HOUSING</u></a>
9139	<a href="#"><u>FORK ROCKERS &amp; CALIPER MOUNTING - FXSTS</u></a> <a href="#"><u>FORK ROCKERS &amp; CALIPER MOUNTING - FLSTS</u></a>
9140	<a href="#"><u>FORK ROCKERS &amp; CALIPER MOUNTING - FXSTS</u></a> <a href="#"><u>FORK ROCKERS &amp; CALIPER MOUNTING - FLSTS</u></a>
9141	<a href="#"><u>FORK ROCKERS &amp; CALIPER MOUNTING - FXSTS</u></a> <a href="#"><u>FORK ROCKERS &amp; CALIPER MOUNTING - FLSTS</u></a>
91767-99	<a href="#"><u>SEATS &amp; SISSY BARS</u></a>

91768-96	<a href="#">SEATS &amp; SISSY BARS</a>
91850-87A	<a href="#">SEATS &amp; SISSY BARS</a>
91875-88A	<a href="#">MIRRORS</a>
91877-97	<a href="#">SEAT - FLSTS</a> <a href="#">SADDLEBAGS - FLSTS</a>
91892-88A	<a href="#">MIRRORS</a>
91909-90A	<a href="#">MIRRORS</a>
91910-90A	<a href="#">MIRRORS</a>
9194	<a href="#">FRONT FENDER - FLSTS</a>
9196	<a href="#">FRONT FENDER - FLSTS</a>
9207	<a href="#">FRONT FENDER - FLSTS</a>
923	<a href="#">FRONT BRAKE CONTROL</a> <a href="#">FRONT FORK - FLSTC &amp; FLSTF (1 OF 2)</a>
925	<a href="#">STARTER MOTOR</a>
9268	<a href="#">FRONT FENDER - FLSTS</a>
927A	<a href="#">FRONT TURN SIGNALS</a>
928	<a href="#">STARTER MOTOR</a>
929A	<a href="#">STARTER MOTOR</a>
939	<a href="#">FRAME, REAR FORK &amp; JIFFY STAND (1 OF 2)</a>
941	<a href="#">PRIMARY HOUSING</a> <a href="#">FUEL TANK</a>
942	<a href="#">OIL PUMP</a>
94331-91T	<a href="#">HANDLEBAR</a> <a href="#">FUEL TANK</a>
945	<a href="#">PRIMARY HOUSING</a>
946	<a href="#">AIR CLEANER &amp; ENRICHENER</a>
94605-98	<a href="#">REAR FENDER &amp; SUPPORTS - FXST, FXSTC, FXSTS &amp; FXSTB</a> <a href="#">REAR FENDER &amp; SUPPORTS - FLSTC, FLSTF &amp; FLSTS</a>
949	<a href="#">IGNITION MODULE &amp; COIL</a>
95578-41	<a href="#">FRONT WHEEL (2 OF 2)</a> <a href="#">REAR WHEEL</a>
95581-47	<a href="#">FRONT WHEEL (2 OF 2)</a> <a href="#">REAR WHEEL</a>
95582-47	<a href="#">FRONT WHEEL (2 OF 2)</a> <a href="#">REAR WHEEL</a>

95595-84A	<a href="#">FRONT WHEEL (2 OF 2)</a> <a href="#">REAR WHEEL</a>
961	<a href="#">PRIMARY HOUSING</a>
9840	<a href="#">ALTERNATOR &amp; REGULATOR</a> <a href="#">WIRING HARNESS, MAIN</a>
9847	<a href="#">HEADLAMP (1 OF 2)</a>
9848	<a href="#">HEADLAMP (1 OF 2)</a>
9866	<a href="#">ALTERNATOR &amp; REGULATOR</a>
98837-97	<a href="#">SADDLEBAGS - FLSTS</a>
9890	<a href="#">FUEL TANK</a>
9898	<a href="#">WIRING HARNESS, MAIN</a>
99000-77	<a href="#">SEATS &amp; SISSY BARS</a>
9908	<a href="#">IGNITION MODULE &amp; COIL</a>
9937	<a href="#">WIRING HARNESS, MAIN</a>
9955	<a href="#">EXHAUST SYSTEM (1 OF 2)</a> <a href="#">EXHAUST SYSTEM (1 OF 2)</a> <a href="#">EXHAUST SYSTEM (1 OF 2)</a> <a href="#">EXHAUST SYSTEM - FLSTS</a>
9969	<a href="#">OIL TANK</a>
9988	<a href="#">CALIFORNIA EVAPORATIVE EMISSIONS COMPONENTS</a>
9989A	<a href="#">SWITCHES &amp; CIRCUIT BREAKERS</a>
9990W	<a href="#">CLUTCH CONTROL</a>

## Component Types and Introduction Dates

[View interactive table](#)

101A1 - Generic Nuts

7956	Unknown
7736	1949
7739	Unknown
7588	Unknown
7942	1996
7643W	Unknown
7838	Unknown
7624	Unknown

7629	1990
7627	Unknown
7792	2012
7515	Unknown
7680W	Unknown
5216	Unknown
7527	Unknown
7778	Unknown
7862	Unknown
7775	Unknown
7916A	Unknown
7613A	1959
7501	2010
7901	Unknown
7748W	Unknown
7825	Unknown
3403	Unknown
37503-41	1941
7506	Unknown
7768W	Unknown
11192	2000
35078-79	1979
7987	Unknown
67846-70	1970
7495	1994
7994	1988
762	1997
7883	Unknown
7485	Unknown
8099	Unknown
7880	Unknown
7481	Unknown

7753	Unknown
8108	Unknown
40392-91	1991
7744	1943
7740	Unknown
7593	1991
7742	Unknown
31589-80	1980
7601	1990
7959	1997
102A1 - Generic Screws	
2447	Unknown
2917	2000
2448	Unknown
3533	Unknown
3730A	Unknown
1795A	Unknown
3991	2009
3549A	Unknown
68052-93	1993
2872W	2009
4961	Unknown
882	2000
2902	Unknown
3987	Unknown
33119-79B	1979
42375-87	1987
3546	2013
2005	1980
3849	Unknown
2579A	Unknown
2562	2003



4761	Unknown
2602A	Unknown
4741A	1994
68672-38	1938
2692WB	Unknown
3655A	Unknown
44215-97A	1997
5416	Unknown
4718A	1994
3953W	2009
3485A	Unknown
3512	Unknown
3793A	Unknown
4742A	Unknown
43567-92	1992
2558	2000
4014W	2009
2932A	Unknown
3514	Unknown
2927	Unknown
47579-93	1993
941	Unknown
4350A	Unknown
942	1992
3561WC	Unknown
4747	Unknown
94605-98	1998
2921	Unknown
4044	Unknown
4091	Unknown
891	2013

2980	Unknown
3275	2002
3613	2009
4326A	1990
864A	Unknown
2773	Unknown
4134	1994
68452-86	1986
4132	Unknown
4391	2009
2723A	Unknown
4740A	1994
3658	Unknown
45405-75A	1975
3268	1997
3657	1995
2871W	2017
3504A	2006
32617-00Y	2000
2952A	2003
939	1991
3560WA	Unknown
2647B	Unknown
4729	Unknown
4724	2009
90770-79	1979
4726	2009
4722	2009
4721	2009
3577	1996
2711	Unknown
3576	2013

3594	1992
45838-77	1977
42534-90	1990
928	Unknown
925	Unknown
923	Unknown
861A	Unknown
4816A	Unknown
3728	2014
3993	Unknown
2607	Unknown
2604	Unknown
4416	1985
4029A	1990
4719W	2009
2904A	Unknown
3300	Unknown
4411	2009
2720	2012
2273A	Unknown
3494A	Unknown
868A	Unknown
45858-77	1977
3563	1999
2882W	2009
4017	2009
3562	Unknown
929A	Unknown
2614	2000
29283-93	1993
2501A	Unknown
2538	Unknown

3509	Unknown
2737	1986
4713W	2009
2534	Unknown
2531	Unknown
3960W	2009
3210A	Unknown
3516A	Unknown
3602A	Unknown
4820A	Unknown
50635-82A	1982
2611C	Unknown
3398	1995
3559	Unknown
3775	2009
4352	Unknown
56402-83A	1983
27317-88	1988
27146-89	1989
4358A	Unknown
3480A	Unknown
872A	Unknown
1601	1999
3739	Unknown
4717A	Unknown
1602	Unknown
3767B	2009
927A	Unknown
3574	Unknown
3440	2009
945	Unknown

3214	Unknown
946	Unknown
855B	2014
949	1991
3784	Unknown
961	Unknown
1357W	Unknown
3787	Unknown
3501A	Unknown
4716W	2009
16478-85A	1985
44190-88A	1988
856A	1990
1783C	Unknown
44146-77	1977
2879W	2009
3445	Unknown
56397-74C	1974
2823	Unknown
3500A	Unknown
3691	Unknown
3770	Unknown
4813A	1990
3974HW	2009
4163	Unknown
4164	Unknown
4165	Unknown
94331-91T	1991
4166	Unknown
5403B	Unknown
4068A	Unknown
3893	Unknown

4453	1986
5444	Unknown
3473	Unknown
858A	Unknown
16480-92A	1992
2444	Unknown
4814A	Unknown
3538	Unknown
3471	2009
103A1 - Generic Washers	
25323-82	1982
6019	Unknown
6639	2006
6758	1988
61641-84	1984
6756	1988
33212-80	1980
45662-88	1988
6016	2013
6040A	2000
56159-73	1973
7130W	Unknown
27125-89	1989
6497HW	2010
6771A	Unknown
43650-82	1982
25550-57A	1957
6035A	Unknown
27148-89	1989
6220W	Unknown
6352	Unknown
25325-82	1982

6366	1987
6365	2014
6379W	Unknown
6371	Unknown
6788	Unknown
6333	Unknown
6057	1991
6334	Unknown
45717-63	1963
6099	2011
27127-89	1989
25320-82	1982
6109	1980
6101	2011
6047	Unknown
7129	Unknown
31689-90	1990
6072	Unknown
6590HW	Unknown
7230	Unknown
6127	Unknown
7232	1954
6253W	Unknown
6516HW	Unknown
6036	Unknown
6812	Unknown
6042A	Unknown
25327-82	1982
65782-82	1982
7220	Unknown
25326-82	1982

27137-81	1981
7068	Unknown
6498	Unknown
7038	1998
7039	Unknown
6724	1984
6829	1997
25322-82	1982
25321-82	1982
6409	Unknown
7073	Unknown
25328-82	1982
7484	1997
6762B	Unknown
6736	Unknown
6753	Unknown
6737	Unknown
7042	Unknown
6655	1979
7041	1958
6703	1970
6701	Unknown
6702	Unknown
6235	Unknown
42531-87	1987
6645	Unknown
7045	Unknown
6400HB	Unknown
6716	Unknown
104A1 - Custom Nuts	
7945	1991
7868	1993



23981-98	1998
7497	1991
54321-85	1985
7606	1983
105A1 - Custom Screws	
27158-89	1989
7899A	Unknown
27130-90	1990
5465	2003
37090-98A	1998
4074A	2006
27262-96	1996
106A1 - Custom Washers	
6003	2010
7124	Unknown
6506	Unknown
108A1 - Hose Clamps	
10053	2010
10038A	1994
10031	2010
60005-77	1977
65708-97	1997
9990W	2010
10014	Unknown
10059A	2010
9955	Unknown
10086	Unknown
10080	Unknown
10074	Unknown
10113	Unknown
45044-96A	1996
108B1 - P Clamps	

10122	Unknown
508	Unknown
10209	Unknown
510	Unknown
10076	2010
10112	1999
109A1 - Studs	
90367-97	1997
42301-87A	1997
16715-83	1983
10184	Unknown
45998-73	1973
16837-85C	1985
11733A	Unknown
3506	Unknown
45544-88	1988
56550-97	1997
3662A	Unknown
110A1 - Bearing Dust Seals	
24628-87A	1987
24626-87A	1987
110B1 - Plain Bushings	
31430-94	1994
33211-80	1980
57215-75	1975
42524-82A	1982
9194	2012
48330-48A	1948
8996A	1996
17429-91	1991
90361-94A	1996

33446-94A	1994
33714-90B	2011
33207-80	1980
9139	1988
8992A	Unknown
53156-86	1986
46020-84	1984
44030-88A	1988
24600-58B	1958
25582-93	1993
33205-80	1980
24601-58B	1958
8876A	Unknown
33445-94A	1994
33708-94	1994
45934-86	1986
33209-80	1980
45866-84	1984
9076	1984
9141	1988
33208-80	1980
8883	Unknown
33206-80	1980
67055-92	1992
8879	Unknown
9058	1957
44035-86A	1986
25581-70	1970
33210-80	1980
24641-36	1936
110C1 - Radial Shaft Seals	
83162-51	1951

26227-58	1958
12066A	Unknown
12045	Unknown
12035B	Unknown
12026B	Unknown
12052A	2003
12067B	2002
110D1 - Rolling Element Bearings	
9115	Unknown
9114	Unknown
24643-87A	1987
8977	Unknown
9135	Unknown
24346-87A	1987
24641-87A	1987
9140	1988
8871	Unknown
9052	Unknown
9028	2009
33720-93	1993
9207	Unknown
111A1 - Adhesive	
58417-77	1977
111C1 - Insulating Tape	
61640-84	1984
116A1 - Banjo Bolts	
41739-84A	1984
41747-82A	1982
117A1 - Coil Springs	
56396-74A	1974
27162-89	1989
119A1 - O-Rings	

11165	Unknown
11241	Unknown
11324	Unknown
26432-76A	1976
11105	Unknown
10957	2006
11145A	2007
11157	1983
27577-92	1992
11140	1982
11147B	2006
45845-77	1977
11132A	2007
11191	1989
11290	1998
44059-83	1983
31695-90	1990
11179	1986
27157-89	1989
120A1 - Pins	
601	Unknown
609	Unknown
51923-86	1986
239	2009
634	Unknown
16573-83A	1983
534	Unknown
42460-80B	1980
337	Unknown
509	Unknown
515	Unknown

42269-30	1930
375	Unknown
358	Unknown
275	1992
121A1 - Grommets	
11717	2004
11447	1984
11437	Unknown
11410	Unknown
11413	Unknown
11460	1992
121B1 - Press-Fit Plugs	
26263-80	1980
739A	Unknown
653	Unknown
755	Unknown
121C1 - Threaded Plugs	
24925-95	1995
728	1998
720	2013
122A1 - Retaining Rings	
10998	1985
10151	1997
11271	Unknown
11272	Unknown
10120	1992
41713-86	1986
10124	1992
17945-36B	1936
11016	Unknown
10170	2003
26348-36	1936

45021-86	1986
10040	1982
44021-83	1983
11002	Unknown
9890	Unknown
65325-83A	1983
45611-86	1986
35087-99A	1999
10183	1996
38713-97	1997
10103	Unknown
27368-76	1976
11150	1984
11155	Unknown
11158	Unknown
9988	1992
68562-84	1984
31530-90	1990
9989A	Unknown
11143	Unknown
37905-00	2000
11177A	1996
11096	2010
11280	Unknown
11067	Unknown
11182	Unknown
11160A	1990
11083	Unknown
27124-89	1989
60678-85	1985
10263A	2009
11248	Unknown

11161	Unknown
123A1 - Sealing Washers	
26262-80	1980
123B1 - Spring Washers	
7101	1989
7127	Unknown
7152	Unknown
7142	1999
7069	Unknown
124A1 - Spacers	
44029-97	1997
43290-82	1982
43283-86	1986
44029-88	1988
29961-85	1985
9196	Unknown
11261	Unknown
24002-70	1970
47577-94	1994
33344-94	1994
43294-82	1982
5775	1984
6084	1992
5756	Unknown
33114-79	1979
5885	Unknown
43293-82	1982
5797A	Unknown
35629-79	1979
35854-96	1996
5710	Unknown



5714	Unknown
9268	Unknown
11244	Unknown
125A1 - Tie Straps	
10065	1985
10039	1981
10177	1996
10181	1996
10006	1960
10073	1985
126A1 - Miscellaneous Hardware	
42479-90	1990
50972-75	1975
31692-90	1990
42473-87	1987
46057-88	1988
47698-86B	1986
44126-87	1987
46053-88	1988
27136-90A	1990
45567-88	1988
50027-84	1984
11456	Unknown
46056-88	1988
46060-88	1988
61095-92	1992
41042-93	1993
59154-97	1997
33126-94	1994
11219	Unknown
11218	Unknown
63530-92	1992

33318-85	1985
45628-92	1992
45935-88	1988
46059-90	1990
45937-88	1988
46058-97	1997
50025-84	1984
33449-94	1994
56394-74	1974
46062-88	1988
8873	1984
44061-83	1983
126B1 - Rivets Fasteners	
8476	1991
8535	Unknown
8699	1980
8483A	Unknown
127B1 - Generic Mounting Bracket	
57852-02A	2002
44097-97	1997
33519-92A	1992
51652-83B	1983
69127-97	1997
52152-97	1997
59959-86	1986
140A1 - Battery Warning Label	
15368-01A	2001
140A2 - General Warning Label	
29449-98B	1998
29126-90B	1990
68798-97	1997
44197-77	1977

140A3 - Other Special Warning Label

68730-98	1998
14150-86	1986
141A1 - Medallion	
13924-99	1999
13935-99	1999
13933-99	1999
13943-99	1999
90470-90	1990
13917-99	1999
13936-99	1999
13914-99	1999
14270-92	1992
13944-99	1999
13921-99	1999
13919-99	1999
13915-99	1999
13927-99	1999
13938-99	1999
13920-99	1999
13923-99	1999
13926-99	1999
13948-99	1999
13945-99	1999
13916-99	1999
66030-88	1988
13946-99	1999
13949-99	1999
15363-98	1998
13939-99	1999
13934-99	1999

13940-99	1999
13932-99	1999
13942-99	1999
13918-99	1999
13925-99	1999
13922-99	1999
13941-99	1999
71302-93A	1993
62793-97	1997
14456-95	1995
13947-99	1999
13928-99	1999
13937-99	1999
162D1 - Engine Assembly	
16154-99	1999
16155-99	1999
16122-99	1999
16121-99	1999
16126-99	1999
16120-99	1999
16119-99	1999
16118-99	1999
16132-99	1999
163B1 - Engine Isolator Mount	
90473-94	1994
164A1 - Engine Mount Bracket	
38608-96	1996
16247-91	1991
164B1 - Engine Mount Bracket sub-component	
7962	Unknown
7600	Unknown
7716	1990

7783	Unknown
7531	1980
16242-90	1990
7669	Unknown
7667	Unknown
7688	2000
7686	Unknown
5207	1980
7507	Unknown
7892	1998
7848W	Unknown
7855W	Unknown
7800W	Unknown
5807	2003
16284-84	1984
165A1 - Cylinder Head	
16609-98	1998
16692-95	1995
18011-86	1986
16691-92B	1992
16607-98	1998
16696-92A	1992
16690-92B	1992
165B1 - Cylinder Head and Base Gaskets	
16774-86D	1986
16770-84F	1984
16778-84B	1984
16779-84C	1984
168A1 - Cylinder	
16510-83A	1983
179A1 - Lifters	
18523-86B	1986

18542-83C	1986
179B1 - Push Rod	
17921-83A	1983
17930-83A	1983
17924-83A	1983
17927-83A	1983
180A1 - Valves	
18076-83	1983
18101-83D	1999
18074-83B	2007
18082-83A	1983
18087-83	1983
181B1 - Valve Seals	
18133-83B	1983
18130-83D	1983
18219-83A	1983
18020-83	1983
18134-83	1983
18131-83D	1983
18124-83	1983
18001-83B	1983
181C1 - Valve Collars	
18229-83A	1984
17947-36	1936
17950-66	1966
184A1 - PT Camdrive and Valvetrain Miscellaneous Component	
17355-92A	2010
17356-92A	2010
17358-84B	2010
219A1 - Piston	
16512-86A	1986

21942-83	1983
21944-83	1983
16557-98	1998
21940-83	1983
21941-83	1983
21943-83	1983
220A1 - Piston Ring	
21921-83	1983
21923-83	1983
21924-83	1983
21920-83	1983
21922-83	1983
221A1 - Piston Pin	
22589-83B	1983
22764-83	1983
237A1 - Connecting Rod	
24281-83	1983
237B1 - Connecting Rod sub-component	
24356-36A	1936
24335-36	1936
24334-36	1936
239A1 - PT Lower End Miscellaneous Component	
23928-87	1987
24345-36A	1936
48365-48A	1981
241A1 - Flywheel	
23906-93B	1999
244A1 - Crankcase	
24572-93A	1997
24571-93	1993
244D1 - Crankcase sub-component	
24046-93	1993

24043-93	1993
25298-98	1998
24044-93	1993
24045-93	1993
24042-93	1993
24040-93	1993
24041-93	1993
24599-93	1993
244E1 - Transmission Access Door	
23974-87	1987
23975-87	1987
254B1 - Camshaft	
24586-93	1993
254C1 - Camshaft Sprocket	
40299-83A	1983
254D1 - Camshaft Support	
34085-79A	1979
255C1 - Camdrive Chain Tensioner	
39990-65	1965
39976-65B	1965
255D1 - Camdrive Chain Tensioner sub-component	
39993-65	1965
256A1 - Timer Cover	
32727-98	1998
32524-83	1983
257A1 - Cam Cover	
25256-93A	1993
26099-99	1999
257B1 - Clutch Cover	
60668-99	1999
60713-99	1999
25414-99	1999



257D1 - Clutch Inspection Cover	
60572-86	1986
257E1 - Cover Gaskets	
29252-89	1989
65324-83B	2009
11260	2010
34904-86D	1986
67602-94	1994
16800-84A	1984
61109-85D	1985
25416-99C	1999
67601-94A	1994
17041-92A	1992
42455-80	1980
41733-88	1988
29313-95	1995
35652-79B	1979
63859-95B	1995
29062-95B	1995
45005-85	1985
45733-48	1948
60567-90C	1990
25700225	2012
18633-48D	1948
60539-94B	1994
36801-87C	1987
63858-49	1949
41731-88A	1988
25225-93B	1993
17042-92A	1992
47519-83A	1983

18634-48C	1948
17040-92A	1992
257L1 - Primary Cover	
60715-99B	1999
60715-99	1999
60630-94B	1994
60721-99	1999
60543-99	1999
60543-99B	1999
60721-99B	1999
60724-98A	2000
60586-99A	1999
257L2 - Primary Chain Inspection Cover	
60714-98	1998
257M1 - Push Rod Cover	
17935-79B	1979
17938-83	1983
257N1 - Rocker-Arm / Valve Cover	
17601-98	1998
17529-92	1992
17600-98	1998
17375-83A	1983
17611-83	1983
17521-92A	1993
17360-83A	1983
17530-92	1992
17503-92A	1993
17602-98	1998
17528-92	1992
17510-92A	1993
257P1 - Tappet Cover	
18622-85B	1985

18623-85B	1985
18540-83C	1986
258A1 - PT Covers Miscellaneous Component	
34777-99	1999
34519-98	1998
265A1 - Vent / Breather Line	
27093-92A	1996
270A1 - Carburetor	
27105-88	1988
27361-76A	1976
27339-90	1990
27360-76	1976
27362-76	1976
27147-89	1989
27159-92	1992
27583-88	1988
27171-89	1989
27156-89	1989
27261-96	1996
27253-96	1996
27088-99	1999
27369-76	1976
29059-88A	1988
27115-88	1988
27371-76A	1976
27582-88	1988
27587-88	1988
27311-76	1976
27380-98	1998
27101-88	1988
27504-96	1996
27585-88	1988

27586-88	1988
27575-88A	1988
27492-96B	1996
27100-88	1988
27128-89	1989
27126-89	1989
27090-89	1989
27315-88A	1988
27263-96	1996
27576-92	1992
271C1 - Intercooler Gasket	
65781-82	1982
271D1 - Intercooler Hose	
63546-87	1987
63515-92	1992
273A1 - Intake Manifold	
27019-89A	1989
273C1 - Throttle Body/Intake Manifold sub-component	
27102-92	1992
273K1 - Throttle Body to Manifold Seal	
26995-86B	1986
273N1 - Throttle Cable Retention Bracket	
56508-76	1976
275A1 - PT Upper End Miscellaneous Component	
37313-80	1980
290A1 - Airbox Baseplate	
29134-92	1992
29087-96	1996
29319-95A	1995
290C1 - Airbox Baseplate sub-component	
29256-90	1990

29169-84	1984
28823-89	1989
29161-86	1986
292B1 - Air Duct Bezel	
29181-88	1988
294A1 - Air Filter Element	
29330-96	1996
29325-95A	1996
294B1 - Breather Bolt	
25310-82A	1982
294C1 - Breather Hose	
63572-86	1986
294G1 - Air Cleaner	
27010-86A	1986
27009-86A	1986
295A1 - Intake Miscellaneous Component	
29323-95	1995
27579-88A	1988
27002-89	1989
27886-78A	1978
28842-89	1989
29229-88D	1988
299C1 - Charging Rotor	
29957-81B	1981
32402-83	1983
299F1 - Stator Assembly	
29970-88D	2007
314E1 - Starter Friction Clutch	
31516-94A	2010
9077	Unknown
314F1 - Starter Motor	
31518-90	1990

31510-90	1990
31702-98	1998
31515-90	1990
31553-94B	1994
31612-09	2009
314G1 - Starter Motor sub-component	
31660-90	1990
31535-91	1991
31727-85	1985
27581-88	1988
31548-90	1990
31527-90	1990
31664-94	1994
31600-90	1990
31688-90	1990
31703-98	1998
314H1 - Starter Solenoid	
31604-91A	1991
28827-96A	1996
314L1 - Starter Motor Drive	
33189-63	1963
316A1 - Ignition Coil	
31701-98	1998
31800-78A	1978
31614-83A	1983
316B1 - Spark Plug Cable	
31985-91A	1991
31983-71C	1971
327C1 - Pressure Sensor	
74437-96B	1996
327D1 - Proximity Sensor	
32448-95B	2010

336A1 - Shift Linkage Rod Assembly	
33630-90A	1990
33895-82D	2010
336C1 - Shift Linkage Rod End	
33670-97	1997
33719-79B	1979
336D1 - Shift Pedal	
33849-97	1997
336F1 - Toepeg	
34611-65A	1965
339A1 - Shift Lever	
33715-85A	1985
34564-90B	1990
33668-90C	1990
339B1 - Gearshift Shaft	
33642-89	1989
339D1 - Shifter Fork	
34195-79E	1979
34088-87A	1987
34193-79E	1979
34191-79E	1979
339E1 - Shifter Fork Shaft	
34084-86A	1986
339F1 - Shifter Index Lever	
34086-79	1979
339H1 - Shifter Mechanism Components (internal)	
34083-79	1979
34082-79	1979
34468-98A	2000
34091-85A	1985
33332-79	1979

33320-98	1998
33326-79A	1980
33683-90A	1992
33660-90B	1990
34087-79A	1979
33127-94	1994
34089-79	1979
347A1 - Transmission Assembly	
33006-99	1999
37186-98	1998
34732-96	1996
33005-99	1999
33007-99	1999
34774-99	1999
35076-79	1979
33051-99	1999
37105-87A	1987
35064-79	1979
350A1 - Transmission Output Sprocket	
40250-94C	1994
350E1 - Transmission Gear	
31525-90	1990
31342-94	1994
350F1 - Transmission Mainshaft	
35029-94	1994
35027-94	1994
35025-79B	1981
35028-94	1994
35042-91	1991
350G1 - Transmission Shim / Spacer	
9110	2013
9123	2013



9122	2013
9125	2013
9124	2013
9127	2013
9126	2013
9129	Unknown
9128	Unknown
9121	2013
9120	Unknown
9134	2013
9133	2013
9132	2013
9131	Unknown
9130	Unknown
29960-91A	1991
356A1 - Transmission Countershaft	
35026-94	1994
35626-94	1994
35632-79	1979
35625-94	1994
35622-79C	1979
363A1 - PT Driveline Miscellaneous Component	
42533-91A	1991
35258-87D	1992
35051-89A	1989
35068-79	1979
35211-91B	1991
35266-99	1999
40266-85	1985
37069-90A	2010
365A1 - Primary Chain	
40007-36B	1936

365B1 - Primary Chain Tensioner	
39998-65A	1970
39996-65	1965
39992-65C	1990
365C1 - Primary Drive Assembly	
40308-94	1994
40384-91	1991
40251-92A	1992
367A1 - Clutch Lever	
45015-96	1996
367H1 - Clutch Lever sub-component	
37312-75	1975
37871-98A	1998
34920-86A	1986
37904-90	1990
37906-90	1990
38630-88	1988
37909-90	1990
37872-00	2000
370A1 - Clutch Assembly	
45036-88	1988
37496-90A	1990
370B1 - Clutch Friction Plate	
37932-98	1998
37913-98	1998
370C1 - Clutch Hub	
37550-98	1998
370E1 - Clutch Metal Plate	
37903-90	1990
37088-90	1990
370F1 - Clutch Pressure Plate	

37912-00	2000
370F3 - Clutch Diaphragm Spring	
37883-98	1998
37884-98	1998
370G1 - Clutch Shell	
37707-98A	1998
372D1 - Clutch Cable	
38647-98	1998
38607-87A	1988
372K2 - Clutch Ramp	
25452-87A	1987
25453-87A	1987
400A1 - Drive-Belt	
40017-94	1994
409A1 - Rear Wheel	
41058-87B	1987
41059-87	1987
410D1 - Electronic Control Module (ECM)	
32504-80A	1982
32484-96	1996
32449-95C	2009
32606-82	1982
413A1 - Brake Caliper	
44074-88B	1995
44077-88F	1988
44053-92A	1995
44046-84C	1984
44086-97	1997
44050-87	1987
413B1 - Brake Bleeder Screw	
44048-83	1983
413C1 - Brake Caliper sub-component	

44045-87	1987
45420-80	1980
44044-88B	1998
44054-83	1983
44147-87A	1987
44022-83	1983
44236-97	1997
48361-80	1980
413D1 - Brake Pad	
43960-86	1986
413E1 - Brake Pad Pin	
44053-83B	1983
415B1 - Brake Rotor	
44136-92	1992
41789-92	1992
416A1 - Brakes Miscellaneous Component	
40918-87	1987
40903-87	1987
40920-87	1987
72023-51E	2012
41040-88B	1988
43466-97	1997
416B1 - Brake Mounting Bracket	
44072-92A	1995
44207-87	1987
417A1 - Brake Master Cylinder Assembly	
45030-03C	2003
42446-87B	1987
45057-82	1982
417B1 - Brake Master Cylinder	
42468-87E	1987
45019-96D	1996

417C1 - Brake Master Cylinder Piston Set

42382-87C	2000
44152-77	1977
43946-86	1986
44020-83	1983

417D1 - Brake Master Cylinder sub-Component

45004-96A	1996
45006-96C	1996
44199-79	1979
41745-79	1979
50992-87A	1987
44047-83	1983
45004-85	1985
43467-97	1997
42448-87	1987
40922-87A	1987
45032-82	1982
45423-92	1992
45423-96	1996
45042-82	1982
44198-87	1987
41047-97	1997
44039-86	1986

417F1 - Brake Master Cylinder Reservoir

42452-87	1987
41804-84A	1984

417G1 - Front Brake Lever

45016-96	1996
42515-82	1982

418B1 - Brake Line

45209-97B	2000
-----------	------

45156-89E	2008
45110-96	1996
45199-99B	2001
45250-98B	1998
45112-96A	1997
42303-96	1996
42305-96	1996
40957-87C	1990
420A1 - Wheel Rim	
43662-80B	1983
43085-97	1997
421A1 - Wheel Spoke with Nipple	
43239-05	2005
43241-05	2005
422B1 - Wheel Sprocket	
40311-94	1994
40312-94	1994
423G1 - Valve Stem	
43157-83A	1983
423H1 - Valve Stem Cap	
41123-79	1979
423K1 - Wheel Weights	
95578-41	1941
95595-84A	2010
95581-47	1947
95582-47	1947
424A1 - Wheels, Tires and Final Drive Miscellaneous Component	
44062-83	1983
44079-97C	1997
40975-86C	1986
430D1 - Front Axle	
41116-97	1997

41584-86A	1986
41109-88A	1988
43346-83B	1983
430E1 - Rear Axle	
41110-79A	1979
45832-77A	1977
433A1 - Front Wheel	
40976-86A	1986
41038-92A	1992
43005-86C	1986
43700-99A	1999
433B1 - Front Wheel Bearing Spacer	
43674-95	1995
40910-84B	1987
43683-97	1997
43676-88C	1988
43657-89	1989
43608-82	1982
43671-84C	1984
43624-97	1997
43291-82	1982
43016-97B	1997
43614-97	1997
43654-86A	1986
41595-86	1986
43292-82	1982
43360-97	1997
56153-73	1973
43612-92	1992
433C1 - Front Wheel Hub	
43677-88A	1988
43067-97	1997

44447-92	1992
43155-97	1997
43672-84A	1985
454A1 - Front Telescopic Fork	
46006-91A	1992
46004-91A	1992
454B1 - Springer Fork	
45917-86	1986
45569-88B	1999
45651-91	1991
45629-97	1997
45649-91	1991
45607-93	1993
45631-97	1997
45633-97A	1997
455A1 - Front Telescopic Fork Slider	
45964-86	1986
45918-86	1986
45915-86	1986
45874-91	1991
45417-84	1984
45916-86	1986
45873-91A	1991
45930-86	1986
455B1 - Front Telescopic Fork Spring	
46054-88	1988
45855-77	1977
45619-97	1997
46055-88	1988
45931-86	1986
46048-84	1984



455C1 - Front Telescopic Fork sub-component	
44031-97	1997
45660-88A	1988
45418-84	1984
49377-09A	2011
45865-84	1984
45940-84	1984
45656-97	1997
45419-80	1980
45834-77	1977
2738	Unknown
45933-86	1986
45663-88A	1988
7012	1988
45936-88	1988
456A1 - Fork Protector	
45859-77A	1977
457D1 - Steering Stem	
45605-88	1988
457E1 - Steering Stem Bearing Insert Cup	
48140-84A	1993
48315-60	1960
48300-60	1960
457F1 - Steering Stem Nut	
45718-60	1960
458A1 - Front Suspension and Steering Miscellaneous Component	
45659-88	1988
6353	Unknown
45875-84A	1984
45842-77A	1977
48306-88	1988
48332-48C	1948

45670-80A	1980
45655-88	1988
67819-86	1986
45648-85A	1985
458B1 - Front Suspension and Steering Mounting Bracket	
45640-88B	1988
459A1 - Upper Triple Clamp	
45456-86B	1986
45672-80B	1980
45473-88	1988
45491-97	1997
459B1 - Lower Triple Clamp	
67814-86	1986
67816-86	1986
67821-87	1987
67808-86	1986
50991-86	1986
470A1 - Frame	
31519-90	1990
47008-92B	1992
48130-92B	1992
472A1 - Frame sub-component	
6121	1996
7036	Unknown
472D1 - Chassis Structure Miscellaneous Component	
59043-93	1993
472D2 - Chassis Structure Mounting Bracket	
59969-86A	1987
59954-86A	1993
62563-65	1965
60059-99	1999
61667-90A	1991

59955-86A	1993
69122-95	1995
59964-86A	1987
60058-99	1999
474C1 - Swingarm	
47573-89B	1996
474E1 - Swingarm Assembly sub-component	
48031-89A	1990
500A1 - Sidestand Assembly	
50087-89B	1989
500B1 - Sidestand Bracket	
50018-85	1985
500E1 - Sidestand Leg sub-component	
62123-66	1966
50034-84	1984
50015-74A	1974
50028-91	1991
50005-85A	1985
505B1 - Footpeg Mount Bracket	
42431-87A	1994
50990-86B	1986
33048-72	1972
50989-86	1986
505D1 - Passenger Footpeg	
50621-79A	1979
505G1 - Rider or Common Footpeg	
50900-72	1972
505H1 - Footpeg Insert	
50614-91A	1991
506A1 - Brake Pedal	
42522-87A	1988

42416-83	1983
42407-87C	1987
50912-72	1972
42532-82	1982
42507-89A	1989
507A1 - Rider Interface Miscellaneous Component	
49166-97	1997
520A1 - Rider Seat or Full Seat	
52217-90C	1993
51175-95	1995
52236-86E	1999
91767-99	1999
91768-96	1996
51793-99	1999
52503-88E	1988
52988-98	1998
520B1 - Rider/Full Seat Assembly sub-component	
52014-97	1997
521C1 - Seat Suspension Damper	
45932-86	1986
523B1 - Back Rest Pad	
52191-86	1986
52541-87A	1987
523C1 - Back Rest Support Structure	
52787-92	1992
52788-92	1992
52771-82	1982
52735-85	1985
524A1 - Passenger Grab Handle	
52687-97	1997
52521-94	1994
51186-89B	1989

51184-88A	1989
51170-93	1993
524B1 - Passenger Seat	
51796-99	1999
52912-00	2000
52209-90C	1993
540B1 - Rear Shock	
54508-89A	1989
54484-97	1997
54485-97	1997
540L2 - Rear Suspension Mounting Bracket	
44063-83C	1983
44209-87C	1987
558A1 - Handlebar	
55933-97	1997
56093-88A	1989
53157-97	1997
56102-99	1999
56569-86	1986
56224-99A	1999
55919-82	1982
56081-82A	1983
559D1 - Lower Handlebar Clamp	
56542-86A	1986
56538-88	1988
56548-97	1997
56541-86A	1986
56124-77	1977
56122-77	1977
57464-09	2009
57465-09	2009
56540-88	1988

559E1 - Upper Handlebar Clamp	
56119-77A	1977
56567-86B	1986
560A1 - Mirror	
91875-88A	1989
91892-88A	1989
91909-90A	1991
91910-90A	1991
561A1 - Throttle Cable	
56432-98	1998
56433-98	1998
56343-96	1996
56342-96	1996
56305-96	1996
56306-96	1996
561B1 - Left Hand Grip	
56206-96	1996
561D1 - Throttle Assembly sub-component	
38653-01	2001
561E1 - Throttle Grip	
56220-94A	1994
572E1 - Side Cover	
91850-87A	1987
573A1 - Bodywork Miscellaneous Component	
4036	2009
7651A	Unknown
573B1 - Bodywork Mounting Bracket	
59993-80B	1980
574B1 - Windscreen / Windshield	
58401-97	1997
58078-49	1949

58411-76A	1976
58079-49	1949
58013-97	1997
58183-97	1997
58416-77A	1977
58406-75A	1975
58018-86A	1988
58412-76A	1976
58408-75A	1975
589A1 - Front Fender	
59129-86A	1986
60069-98	1998
59164-97A	1997
60068-98	1998
59924-80B	1980
59176-96A	1996
59139-97	1997
595D1 - Rear Fender	
59757-97	1997
59754-97	1997
59753-97	1997
59755-97	1997
59768-97	1997
596A1 - Tire Mud Flap	
60363-86C	1986
596B1 - Fender Tip	
59358-97	1997
68046-79	1979
59116-96	1996
59117-96	1996
603B1 - Belt / Chain Guard	
60537-89	1989

60564-98	1998
60415-89C	1996
608A1 - Carbon Canister	
27042-84A	1995
608B1 - Carbon Canister Hose	
28884-95	1995
608C1 - Carbon Canister Hose Fitting	
27292-95	1995
609A1 - Fuel Miscellaneous Component	
11473	Unknown
61660-85	1985
5787	Unknown
27047-84B	1984
610A1 - Fuel Tank	
61228-97	1997
61426-97	1997
61450-95	1995
61290-97	1997
61291-97	1997
611B1 - Fuel Cap	
61103-83B	1983
61272-92C	1992
611F1 - Fuel Tank Vapor Vent Hose	
27138-90	1990
62555-95	1995
612B2 - Fuel Valve	
61338-94D	1994
62166-81A	1981
62161-02	2002
62172-02	2002
62150-85	1985
612C1 - Fuel Line	



62356-95	1995
613A1 - Trim Panel	
61155-84B	1984
61648-85	1985
613B1 - Horn Cover	
69012-93A	1993
69039-09	2009
613K1 - Airbox Cover	
29548-98	1998
29165-89	1989
614C1 - Trim	
91877-97	1997
59211-74A	1974
99000-77	1977
29366-97	1997
14142-86A	1986
59235-86	1986
29482-98	1998
71265-95	1995
61165-89B	1989
624A1 - Oil Pump Assembly	
26097-98	1998
26088-98	1998
26050-92	1992
624B1 - Oil Pump Assembly sub-component	
26090-98	1998
26378-92A	1992
26207-83	1983
26561-84	1984
26093-98	1998
26270-92	1992

26276-92A	1992
26348-15	1915
26327-68	1968
45830-48	1948
6239	Unknown
26400-82B	1982
26273-92A	1992
26267-92	1992
26226-92	1992
624C1 - Oil Pump Driven Gear	
26326-62A	1962
26317-68A	1968
26315-68A	1968
624D1 - Oil Pump Drive Gear	
26345-73	1973
26346-70	1970
26328-74	1974
26354-93	1993
624E1 - Oil Pump Internal Cover	
26225-92	1992
624G1 - Oil Screen	
24981-70	1970
625B1 - Oil Tank	
62491-95	1995
62498-91	1991
62840-98	1998
627B1 - Oil Drain Plug	
62725-90	1990
60391-04	2004
627E1 - Oil Filler Plug / Dipstick	
62634-84A	1984
37071-87	1987

37075-87	1987
627E2 - Sight Glass	
45042-96	1996
627F1 - Oil Filter	
63556-87	1987
63798-99A	1999
63731-99A	1999
627H1 - Oil Line	
33520-92	1992
63556-92	1992
63553-91	1991
26571-89	1989
9969	Unknown
627K1 - Oil Line Fitting	
26352-95A	1995
63523-92A	1992
62375-57A	1957
63533-41A	1941
627M1 - Oil Pressure Regulator Valve	
26856-89A	1989
628A1 - PT Lubrication and Cooling Miscellaneous Component	
61131-92	1992
63528-92	1992
62707-84	1984
63525-92	1992
62704-84A	1992
628B1 - PT Lubrication and Cooling Mounting Bracket	
26381-92B	1992
649A1 - Muffler	
65655-97	1997
65366-97	1997
65071-98	1998

65734-95	1995
65075-98	1998
65073-98	1998
65077-98	1998
65364-97	1997
649C1 - Muffler Tailpipe / Outlet	
65869-97	1997
653A1 - Muffler sub-component	
65515-95	1995
65459-95	1995
654A1 - Exhaust Shield	
65777-95	1995
65908-97	1997
65864-95	1995
65702-95	1995
65910-97	1997
65761-95	1995
65909-97	1997
65750-95	1995
65732-95	1995
65813-95	1995
65911-97	1997
65464-95	1995
65907-97A	2006
655A1 - Muffler Mount	
65522-91	1991
655C1 - Exhaust Mounting Bracket	
65887-95	1995
65311-97	1997
65652-97	1997
656C1 - Header	

65603-95	1995
65513-97	1997
65499-95	1995
65401-95	1995
65494-97	1997
65503-95	1995
656E1 - Header Pipe	
65650-97	1997
658A1 - Exhaust Catalyst	
65822-95	1995
65679-97	1997
65896-95	1995
65902-95	1995
65855-95	1995
65900-95	1995
65806-97	1997
65793-97	1997
65898-95	1995
65785-97	1997
65833-97	1997
65853-95	1995
65840-95	1995
659A1 - Exhaust Clamp	
65296-95A	1995
65654-97	2017
659B1 - Exhaust Flange	
65328-83A	2010
660A1 - Battery	
65989-97C	1997
660B1 - Battery Pad	
70933-90	1990
660D1 - Battery Strap	

66111-93	1993
660E1 - Ground Strap	
70060-92B	1992
70041-95	1995
660G1 - Positive Battery Cable	
70078-96	1996
660H1 - Positive Battery Cable Boot	
31662-90	1990
660K1 - Battery Vent Hose	
66020-97	1997
677A1 - Headlight	
67904-96	1996
67905-96	1996
68705-93A	1993
67757-92	1992
67713-86	1986
67603-94A	1994
67654-96	1996
67655-96A	1996
67906-97A	1997
58060-93	1993
67920-96	1996
67903-96A	1996
67894-93A	1993
67763-92A	1993
67769-93	1993
68051-93A	1993
67790-93A	1993
67824-96A	1996
67781-92A	1993
67705-92	1992
67656-96	1996

67892-93	1993
67841-96A	1996
67659-96	1996
68725-62A	1962
67698-81D	2001
67770-96	1996
67653-96	1996
68050-93A	1993
67768-97	1997
67685-92	1992
67793-92A	2001
67772-97	1997
67801-92A	1993
67773-80A	1985
67652-96A	1996
677B1 - Headlight sub-component	
67798-92	1992
67880-94	1994
678A1 - Taillight	
68049-93B	1993
68033-90	1990
68236-97	1997
68123-73	1973
68048-93B	1995
68026-73	1973
68237-97	1997
68032-90	1990
68235-97	1997
68457-86	1986
68234-97	1997
68233-97	1997

68027-90	1990
68440-86	1986
68226-97	1997
68036-91	1991
678C1 - Taillight Lens	
68238-97	1997
68239-97	1997
678D1 - Turnsignal	
67822-88	1988
2696	Unknown
68510-74C	1974
68767-94	1994
68709-94	1994
67828-88A	1988
68480-73	1973
68766-94	1994
68765-94A	1994
68671-69D	1969
67827-88A	1988
68803-95	1995
68713-94A	1994
68493-90	1990
59201-96	1996
67829-88	1988
68540-96	1996
58089-97	1997
68989-98	1998
68760-94	1994
68802-95	1995
68710-94	1994
678E1 - Turnsignal Lens	
68506-92	1992



68566-90	1990
68507-90	1990
68505-90	1990
679B1 - Reflector	
59254-91	1991
59258-91	1991
59265-90	1990
59259-90	1990
59262-90B	1990
59988-72A	1972
59336-97	1997
59261-91	1991
59255-91	1991
59251-90	1990
679D1 - License Plate Bracket	
60020-97	1997
59626-84	1984
60026-97	1997
60001-55	1955
60003-89	1989
59986-75	1975
59984-73	1973
60021-97	1997
680A1 - Decorative Light	
68674-69A	1969
59181-80	1980
59082-96	1996
59659-96	1996
68683-02	2002
59118-97	1997
59122-97	1997
68721-62	1962

68047-79	1979
59355-97	1997
59180-80	1980
68846-98C	1998
68731-98	1998
68355-05	2005
68414-05	2005
68720-62	1962
680B1 - Emergency Light	
67691-92	1992
680C1 - Incandescent Bulb	
68847-98A	1998
68572-64B	1964
68169-90A	1990
68168-89A	1989
68453-05	2005
53436-97	1997
68024-94	1994
68163-84	1984
53439-79	1979
68329-03	2003
52441-95	1995
53438-92	1992
692C1 - Electrical Miscellaneous Component	
69070-97B	1997
71146-94	1994
72176-94	1994
68348-05	2005
70579-65	1965
692C2 - Electrical Mounting Bracket	
67271-99	1999

69069-97	1997
69152-01A	2001
11451	2013
69123-92A	1992
68385-97	1997
72328-96	1996
69120-91	1991
70932-96A	1996
68519-68A	1968
69060-90F	2010
72147-96	1996
66210-97	1997
69062-91A	1991
69126-92	1992
66109-93	1993
692D1 - Fuse	
74587-94	1994
74599-77B	1977
692E1 - Fuse / Relay Block	
72216-94	1994
692F1 - Wire Harness	
68743-99	1999
70216-98	1998
26563-95	1995
74412-91	1991
70044-96	1996
70197-86	1986
68820-98	1998
72152-94	1994
67615-96	1996
692G1 - Conduit / Sheathing / Sleeving	
72366-95	1995

72249-94	1994
72266-94	1994
692G2 - Wire Guide	
10190	Unknown
27580-88	1988
67239-83	1983
692H1 - Connector	
73152-96BK	1996
70586-93	1993
72116-94BK	1994
72293-94	1994
72138-94GY	1994
73199-96	1996
72108-94BK	1994
24922-93	1993
72118-94BK	1994
9848	Unknown
9847	Unknown
72113-94BK	1994
67184-94	1994
72102-94BK	1994
29954-71A	1971
29312-95	1995
72156-94	1994
68650-92	1992
68654-92	1992
72148-94	1994
72199-94	1994
72153-94	1994
692H2 - Terminal	
72255-94	1994
72292-94	1994

9908	1993
9898	Unknown
72218-94	1994
72242-94	1994
72291-94	1994
9840	Unknown
9937	Unknown
72241-94A	1994
72217-94	1994
9866	Unknown
692K1 - Connector / Terminal Seal	
72142-94	1994
72112-94BK	1994
72039-71A	1971
692L1 - Wire Harness sub-component	
74191-98	1998
73162-96BK	1996
70345-84	1984
72195-94	1994
70504-81	1981
73190-96	1996
10102	Unknown
73103-96BK	1996
73156-96BK	1996
73106-96BK	1996
72044-71A	1971
73152-96WE	1996
73112-96BK	1996
74195-98	1998
73158-96BK	1996
72038-71A	1971

72043-71A	1971
72143-94	1994
72405-98TN	1998
72106-94BK	1994
72405-98BK	1998
72103-94BK	1994
72163-94BK	1994
73191-96	1996
72146-94	1994
74159-98	1998
72190-94	1994
56073-83	1983
74119-98BK	1998
73104-96BK	1996
73102-96BK	1996
72056-92	1992
72295-94	1994
72191-94	1994
72046-79	1979
72158-94	1994
73154-96BK	1996
73108-96BK	1996
709B1 - Instrument Cluster or Speedometer	
67190-89	1989
71254-96	1996
67282-99A	2001
71255-96	1996
67027-99A	2000
67030-99A	2000
67260-96	1996
709E1 - Tank Console	
60993-99	1999

714A1 - Ignition Switch	
71313-96A	1996
714B1 - Mechanical Switch	
67915-97	1997
26566-96	1996
33902-98A	1998
68619-83	1983
714D1 - Relay	
31504-91B	2000
715A1 - Hand Control	
71684-06A	2006
67854-98	1998
67858-89	1989
71683-06A	2006
71564-96	1996
70940-96	1996
71563-96	1996
71568-96A	1996
71598-96A	2010
71682-06A	2006
71567-96	1996
71621-08	2008
747A1 - Voltage Regulator	
74519-88A	1988
902A1 - Saddlebag	
98837-97	1997
91299-99A	1999
90476-93	1993
91300-99A	1999
90477-93	1993
902E1 - Saddlebag Bottom	
90467-97	1997

90346-94	1994
90785-94	1994
90787-94	1994
917B1 - Service Program Kit	
90438-10	2010
960ZA - UNASSIGNED	
27051-90A	1991
989A1 - GM - LP - Miscellaneous	
90291-03	2003

Common Service Parts

## AUDIO & INSTRUMENTATION

View interactive table

PART NO.	DESCRIPTION	PART AND MODEL(S)
67880-94	BOOT	<a href="#">INSTRUMENTS: All Models</a>

## BEARINGS, SEALS & HARDWARE

View interactive table

PART NO.	DESCRIPTION	PART AND MODEL(S)
10014	CLAMP	<a href="#">CARBURETOR (1 OF 2): All Models</a> <a href="#">FUEL TANK: All Models</a>
10038A	CLAMP	REAR BRAKE CONTROL - FXST MODELS: <a href="#">FXST</a> <a href="#">FXSTC</a> <a href="#">FXSTS</a> <a href="#">FXSTB</a>
10080	CLAMP	<a href="#">OIL TANK: All Models</a> <a href="#">OIL FILTER &amp; MOUNT: All Models</a>
10102	CLIP	FRONT FENDER - FXST, FXSTB, FXSTC, FLSTC & FLSTF: <a href="#">FLSTC</a> <a href="#">INSTRUMENTS: All Models</a>
11105	O-RING	<a href="#">CRANKCASE - GEAR SIDE: All Models</a> <a href="#">OIL PUMP: All Models</a>
11132A	O-RING	<a href="#">ROCKER ARMS, COVERS &amp; PUSHRODS - V<sup>2</sup>™ EVOLUTION: All Models</a> <a href="#">TRANSMISSION HOUSING (1 OF 2): All Models</a>
11143	RETAINING RING	<a href="#">CLUTCH CONTROL: All Models</a> <a href="#">FRONT BRAKE CONTROL: All Models</a>



<b>PART NO.</b>	<b>DESCRIPTION</b>	<b>PART AND MODEL(S)</b>
11145A	O-RING	<a href="#"><u>ROCKER ARMS, COVERS &amp; PUSHRODS - V<sup>2</sup>™ EVOLUTION: All Models</u></a>
11147B	O-RING	<a href="#"><u>PRIMARY HOUSING: All Models</u></a>
11150	RETAINING RING	<a href="#"><u>GEAR SHIFTER (1 OF 2): All Models</u></a>
11157	O-RING	<a href="#"><u>ROCKER ARMS, COVERS &amp; PUSHRODS - V<sup>2</sup>™ EVOLUTION: All Models</u></a>
11165	QUAD SEAL	<a href="#"><u>TRANSMISSION HOUSING (1 OF 2): All Models</u></a>
11324	O-RING	<a href="#"><u>PRIMARY HOUSING: All Models</u></a>
11447	GROMMET	<a href="#"><u>FUEL TANK: All Models</u></a>
12035B	OIL SEAL	<a href="#"><u>TRANSMISSION GEARS: All Models</u></a>
12045	SEAL	<a href="#"><u>GEAR SHIFTER (1 OF 2): All Models</u></a>
12052A	OIL SEAL	<a href="#"><u>PRIMARY HOUSING: All Models</u></a>
12066A	OIL SEAL	<a href="#"><u>PRIMARY HOUSING: All Models</u></a>
12067B	OIL SEAL	<a href="#"><u>TRANSMISSION HOUSING (1 OF 2): All Models</u></a>
16715-83	STUD	<a href="#"><u>CYLINDERS, VALVES &amp; HEADS - V<sup>2</sup>™ EVOLUTION: All Models</u></a>
16800-84A	GASKET	<a href="#"><u>ROCKER ARMS, COVERS &amp; PUSHRODS - V<sup>2</sup>™ EVOLUTION: All Models</u></a>
17358-84B	GASKET	<a href="#"><u>ROCKER ARMS, COVERS &amp; PUSHRODS - V<sup>2</sup>™ EVOLUTION: All Models</u></a>
2531	SCREW	FRONT FENDER - FXST, FXSTB, FXSTC, FLSTC & FLSTF: <a href="#"><u>FLSTC</u></a>
25416-99C	SEAL	<a href="#"><u>PRIMARY HOUSING: All Models</u></a>
25700225	GASKET KIT	<a href="#"><u>PRIMARY HOUSING: All Models</u></a>
26995-86B	SEAL	<a href="#"><u>CARBURETOR (1 OF 2): All Models</u></a>
2720	SCREW	<a href="#"><u>ALTERNATOR &amp; REGULATOR: All Models</u></a>
2952A	SCREW	SEATS & SISSY BARS: <a href="#"><u>FXST</u></a> <a href="#"><u>FLSTC</u></a> <a href="#"><u>FXSTC</u></a> <a href="#"><u>FXSTS</u></a> <a href="#"><u>FLSTF</u></a> <a href="#"><u>FXSTB</u></a> SEAT - FLSTS: <a href="#"><u>FLSTS</u></a>
31430-94	WASHER	<a href="#"><u>STARTER MOTOR: All Models</u></a>
3275	SCREW	<a href="#"><u>CARBURETOR (1 OF 2): All Models</u></a>
33126-94	LOCKPLATE	<a href="#"><u>STARTER MOTOR: All Models</u></a>

<b>PART NO.</b>	<b>DESCRIPTION</b>	<b>PART AND MODEL(S)</b>
33318-85	LOCKING TAB	<a href="#"><u>PRIMARY HOUSING: All Models</u></a>
3655A	SCREW	FRONT WHEEL (1 OF 2): <a href="#"><u>FXST</u></a> <a href="#"><u>FLSTC</u></a> <a href="#"><u>FXSTC</u></a> <a href="#"><u>FXSTB</u></a> FRONT WHEEL (1 OF 2): <a href="#"><u>FLSTF</u></a>
3658	SCREW	<a href="#"><u>HANDLEBAR SWITCHES: All Models</u></a>
36801-87C	GASKET	<a href="#"><u>TRANSMISSION HOUSING (2 OF 2): All Models</u></a>
4132	SCREW	<a href="#"><u>CLUTCH CONTROL: All Models</u></a> <a href="#"><u>FRONT BRAKE CONTROL: All Models</u></a>
41731-88A	GASKET	<a href="#"><u>FRONT BRAKE CONTROL: All Models</u></a> REAR BRAKE CONTROL - FXST MODELS: <a href="#"><u>FXST</u></a> <a href="#"><u>FXSTC</u></a> <a href="#"><u>FXSTS</u></a> <a href="#"><u>FXSTB</u></a> REAR BRAKE CONTROL - FLST MODELS: <a href="#"><u>FLSTC</u></a> <a href="#"><u>FLSTF</u></a> <a href="#"><u>FLSTS</u></a>
41733-88	GASKET	<a href="#"><u>FRONT BRAKE CONTROL: All Models</u></a>
43567-92	SCREW	<a href="#"><u>REAR WHEEL: All Models</u></a>
45405-75A	SCREW	FRONT FORK - FXST, FXSTC & FXSTB: <a href="#"><u>FXST</u></a> <a href="#"><u>FXSTC</u></a> <a href="#"><u>FXSTB</u></a> FRONT FORK - FLSTC & FLSTF (1 OF 2): <a href="#"><u>FLSTC</u></a> <a href="#"><u>FLSTF</u></a>
45733-48	OIL SEAL	FRONT FORK - FXST, FXSTC & FXSTB: <a href="#"><u>FXST</u></a> <a href="#"><u>FXSTC</u></a> <a href="#"><u>FXSTB</u></a> FRONT FORK - FLSTC & FLSTF (1 OF 2): <a href="#"><u>FLSTC</u></a> <a href="#"><u>FLSTF</u></a>
45845-77	O-RING	FRONT FORK - FXST, FXSTC & FXSTB: <a href="#"><u>FXST</u></a> <a href="#"><u>FXSTC</u></a> <a href="#"><u>FXSTB</u></a> FRONT FORK - FLSTC & FLSTF (1 OF 2): <a href="#"><u>FLSTC</u></a> <a href="#"><u>FLSTF</u></a>

<b>PART NO.</b>	<b>DESCRIPTION</b>	<b>PART AND MODEL(S)</b>
45858-77	DRAIN SCREW	FRONT FORK - FXST, FXSTC & FXSTB: <a href="#">FXST</a> <a href="#">FXSTC</a> <a href="#">FXSTB</a> FRONT FORK - FLSTC & FLSTF (1 OF 2): <a href="#">FLSTC</a> <a href="#">FLSTF</a>
4740A	SCREW	<a href="#">CRANKCASE - GEAR SIDE: All Models</a> <a href="#">TRANSMISSION HOUSING (1 OF 2): All Models</a> <a href="#">PRIMARY HOUSING: All Models</a>
47519-83A	OIL SEAL	<a href="#">FRONT WHEEL (2 OF 2): All Models</a> <a href="#">REAR WHEEL: All Models</a>
48300-60	ROLLER BEARING	FRONT FORK - FXST, FXSTC & FXSTB: <a href="#">FXST</a> <a href="#">FXSTC</a> <a href="#">FXSTB</a> FRONT FORK - FLSTC & FLSTF (2 OF 2): <a href="#">FLSTC</a> <a href="#">FLSTF</a> FRONT FORK - FXSTS: <a href="#">FXSTS</a> FRONT FORK - FLSTS: <a href="#">FLSTS</a>
5207	WELL NUT	<a href="#">IGNITION MODULE &amp; COIL: All Models</a>
53156-86	BUSHING	HANDLEBAR: <a href="#">FXST</a> <a href="#">FLSTC</a> <a href="#">FXSTC</a> <a href="#">FXSTS</a> <a href="#">FLSTF</a> <a href="#">FXSTB</a>
59768-97	SEAT NUT KIT	SEATS & SISSY BARS: <a href="#">FXST</a> <a href="#">FLSTC</a> <a href="#">FXSTC</a> <a href="#">FXSTS</a> <a href="#">FLSTF</a> <a href="#">FXSTB</a> SEAT - FLSTS: <a href="#">FLSTS</a>
60539-94B	GASKET	<a href="#">PRIMARY HOUSING: All Models</a>
60567-90C	GASKET	<a href="#">PRIMARY HOUSING: All Models</a>
60678-85	RETAINING RING	<a href="#">PRIMARY HOUSING: All Models</a>
63858-49	GASKET	<a href="#">ROCKER ARMS, COVERS &amp; PUSHRODS - V<sup>2</sup>™ EVOLUTION: All Models</a>
63859-95B	GASKET	<a href="#">PRIMARY HOUSING: All Models</a>

<b>PART NO.</b>	<b>DESCRIPTION</b>	<b>PART AND MODEL(S)</b>
6516HW	WASHER	<a href="#"><u>CYLINDERS, VALVES &amp; HEADS - V<sup>2</sup>™ EVOLUTION: All Models</u></a> <a href="#"><u>REAR WHEEL: All Models</u></a>
65324-83B	GASKET	EXHAUST SYSTEM (1 OF 2): <a href="#"><u>FXST</u></a> <a href="#"><u>FLSTC</u></a> <a href="#"><u>FXSTC</u></a> <a href="#"><u>FXSTS</u></a> <a href="#"><u>FLSTF</u></a> <a href="#"><u>FXSTB</u></a> EXHAUST SYSTEM - FLSTS: <a href="#"><u>FLSTS</u></a>
65325-83A	RETAINING RING	EXHAUST SYSTEM (1 OF 2): <a href="#"><u>FXST</u></a> <a href="#"><u>FLSTC</u></a> <a href="#"><u>FXSTC</u></a> <a href="#"><u>FXSTS</u></a> <a href="#"><u>FLSTF</u></a> <a href="#"><u>FXSTB</u></a> EXHAUST SYSTEM - FLSTS: <a href="#"><u>FLSTS</u></a>
6702	WASHER	<a href="#"><u>GEAR SHIFTER (1 OF 2): All Models</u></a> <a href="#"><u>REAR BELT GUARD: All Models</u></a> REAR BRAKE CONTROL - FLST MODELS: <a href="#"><u>FLSTC</u></a> <a href="#"><u>FLSTF</u></a> <a href="#"><u>FLSTS</u></a> FRONT FORK - FXST, FXSTC & FXSTB: <a href="#"><u>FXST</u></a> <a href="#"><u>FXSTC</u></a> <a href="#"><u>FXSTB</u></a> FRONT FORK - FLSTC & FLSTF (1 OF 2): <a href="#"><u>FLSTC</u></a> <a href="#"><u>FLSTF</u></a> <a href="#"><u>FRAME, REAR FORK &amp; JIFFY STAND (1 OF 2): All Models</u></a> FRONT FENDER - FXST, FXSTB, FXSTC, FLSTC & FLSTF: <a href="#"><u>FXST</u></a> <a href="#"><u>FXSTC</u></a> <a href="#"><u>FXSTB</u></a> EXHAUST SYSTEM (1 OF 2): <a href="#"><u>FXST</u></a> <a href="#"><u>FLSTC</u></a> <a href="#"><u>FXSTC</u></a> <a href="#"><u>FXSTS</u></a> <a href="#"><u>FLSTF</u></a> <a href="#"><u>FXSTB</u></a> EXHAUST SYSTEM - FLSTS: <a href="#"><u>FLSTS</u></a> SADDLEBAGS - FLSTC: <a href="#"><u>FLSTC</u></a> SADDLEBAGS - FLSTS: <a href="#"><u>FLSTS</u></a>

<b>PART NO.</b>	<b>DESCRIPTION</b>	<b>PART AND MODEL(S)</b>
7041	LOCKWASHER	<p><a href="#"><u>STARTER MOTOR: All Models</u></a>  <i>GEAR SHIFTER (1 OF 2):</i>  <a href="#"><u>FXST</u></a>  <a href="#"><u>FXSTC</u></a>  <a href="#"><u>FXSTS</u></a>  <a href="#"><u>FXSTB</u></a>  <i>FRONT FORK - FXST, FXSTC &amp; FXSTB:</i>  <a href="#"><u>FXST</u></a>  <a href="#"><u>FXSTC</u></a>  <a href="#"><u>FXSTB</u></a>  <i>FRONT FORK - FLSTC &amp; FLSTF (1 OF 2):</i>  <a href="#"><u>FLSTC</u></a>  <a href="#"><u>FLSTF</u></a>  <a href="#"><u>FRAME, REAR FORK &amp; JIFFY STAND (1 OF 2): All Models</u></a>  <i>AUXILIARY/FOG LAMPS - FLSTC &amp; FLSTS, FRONT TURN SIGNALS - FLSTC (1 OF 2):</i>  <a href="#"><u>FLSTS</u></a>  <i>AUXILIARY/FOG LAMPS - FLSTC &amp; FLSTS, FRONT TURN SIGNALS - FLSTC (1 OF 2):</i>  <a href="#"><u>FLSTC</u></a>  <a href="#"><u>FUEL TANK: All Models</u></a>  <i>EXHAUST SYSTEM (1 OF 2):</i>  <a href="#"><u>FXST</u></a>  <a href="#"><u>FLSTC</u></a>  <a href="#"><u>FXSTC</u></a>  <a href="#"><u>FXSTS</u></a>  <a href="#"><u>FLSTF</u></a>  <a href="#"><u>FXSTB</u></a>  <i>EXHAUST SYSTEM - FLSTS:</i>  <a href="#"><u>FLSTS</u></a></p>
739A	PLUG	<p><a href="#"><u>TRANSMISSION HOUSING (1 OF 2): All Models</u></a>  <a href="#"><u>PRIMARY HOUSING: All Models</u></a></p>
7593	NUT	<p><a href="#"><u>CRANKCASE: All Models</u></a>  <i>EXHAUST SYSTEM (1 OF 2):</i>  <a href="#"><u>FXST</u></a>  <a href="#"><u>FLSTC</u></a>  <a href="#"><u>FXSTC</u></a>  <a href="#"><u>FXSTS</u></a>  <a href="#"><u>FLSTF</u></a>  <a href="#"><u>FXSTB</u></a>  <i>EXHAUST SYSTEM - FLSTS:</i>  <a href="#"><u>FLSTS</u></a></p>
7600	NUT	<p><i>FRONT FENDER - FXST, FXSTB, FXSTC, FLSTC &amp; FLSTF:</i>  <a href="#"><u>FLSTC</u></a></p>
7613A	PUSH NUT	<p><i>FRONT FENDER - FXST, FXSTB, FXSTC, FLSTC &amp; FLSTF:</i>  <a href="#"><u>FLSTC</u></a></p>
7716	LOCKNUT	<p><i>FOOTRESTS &amp; FOOTBOARDS:</i>  <a href="#"><u>FLSTC</u></a>  <a href="#"><u>FLSTF</u></a>  <a href="#"><u>FLSTS</u></a></p>
856A	SCREW	<p><a href="#"><u>GEAR SHIFTER (1 OF 2): All Models</u></a></p>

PART NO.	DESCRIPTION	PART AND MODEL(S)
9052	ROLLER BEARING	<a href="#">FRONT WHEEL (1 OF 2): All Models</a> <a href="#">REAR WHEEL: All Models</a>
961	SCREW	<a href="#">PRIMARY HOUSING: All Models</a>
9955	CLAMP	EXHAUST SYSTEM (1 OF 2): <a href="#">FXST</a> <a href="#">FXSTC</a> <a href="#">FXSTS</a> <a href="#">FXSTB</a> EXHAUST SYSTEM (1 OF 2): <a href="#">FLSTC</a> <a href="#">FLSTF</a> EXHAUST SYSTEM (1 OF 2): <a href="#">FXSTC</a> <a href="#">FXSTS</a> EXHAUST SYSTEM - FLSTS: <a href="#">FLSTS</a>

## BRAKING & SUSPENSION

[View interactive table](#)

PART NO.	DESCRIPTION	PART AND MODEL(S)
44063-83C	BRAKE PAD SET	<a href="#">FRONT BRAKE CALIPER: All Models</a>
45875-84A	OIL SEAL	FRONT FORK - FXST, FXSTC & FXSTB: <a href="#">FXST</a> <a href="#">FXSTC</a> <a href="#">FXSTB</a> FRONT FORK - FLSTC & FLSTF (2 OF 2): <a href="#">FLSTC</a> <a href="#">FLSTF</a>

## CHASSIS & COMPONENTS

[View interactive table](#)

PART NO.	DESCRIPTION	PART AND MODEL(S)
50005-85A	SPRING	<a href="#">FRAME, REAR FORK &amp; JIFFY STAND (2 OF 2): All Models</a>

## ELECTRICAL

[View interactive table](#)

PART NO.	DESCRIPTION	PART AND MODEL(S)
----------	-------------	-------------------

PART NO.	DESCRIPTION	PART AND MODEL(S)
70345-84	RETAINER	<a href="#">HANDLEBAR: All Models</a> HANDLEBAR SWITCHES: <a href="#">FXST</a> <a href="#">FXSTS</a> <a href="#">FLSTF</a> <a href="#">FLSTS</a> <a href="#">FXSTB</a> HANDLEBAR SWITCHES: <a href="#">FXSTB</a>
71621-08	SWITCH KIT	<a href="#">HANDLEBAR SWITCHES: All Models</a>
72023-51E	STOP LAMP SWITCH	REAR BRAKE CONTROL - FXST MODELS: <a href="#">FXST</a> <a href="#">FXSTC</a> <a href="#">FXSTS</a> <a href="#">FXSTB</a> REAR BRAKE CONTROL - FLST MODELS: <a href="#">FLSTC</a> <a href="#">FLSTF</a> <a href="#">FLSTS</a> <a href="#">SWITCHES &amp; CIRCUIT BREAKERS: All Models</a>

## ENGINE, TRANSMISSION & PRIMARY

[View interactive table](#)

PART NO.	DESCRIPTION	PART AND MODEL(S)
37909-90	RETAINING RING	<a href="#">CLUTCH: All Models</a>
37913-98	CLUTCH PLATE	<a href="#">CLUTCH: All Models</a>

## FOOT CONTROLS

[View interactive table](#)

PART NO.	DESCRIPTION	PART AND MODEL(S)
33895-82D	SHIFT LEVER	GEAR SHIFTER (2 OF 2): <a href="#">FLSTC</a> <a href="#">FLSTF</a> <a href="#">FLSTS</a>
34611-65A	PEG	GEAR SHIFTER (2 OF 2): <a href="#">FXST</a> <a href="#">FXSTC</a> <a href="#">FXSTS</a> <a href="#">FXSTB</a> GEAR SHIFTER (2 OF 2): <a href="#">FLSTC</a> <a href="#">FLSTF</a> <a href="#">FLSTS</a>

## INTAKE, EXHAUST & FUEL MGMT

[View interactive table](#)

PART NO.	DESCRIPTION	PART AND MODEL(S)
27002-89	SEAL RING	<a href="#">CARBURETOR (1 OF 2): All Models</a>
27361-76A	DIAPHRAGM	<a href="#">CARBURETOR (2 OF 2): All Models</a>
29229-88D	CABLE	<a href="#">AIR CLEANER &amp; ENRICHENER: All Models</a>
65296-95A	CLAMP	EXHAUST SYSTEM (1 OF 2): <a href="#">FXST</a> <a href="#">FLSTC</a> <a href="#">FXSTC</a> <a href="#">FXSTS</a> <a href="#">FLSTF</a> <a href="#">FXSTB</a> EXHAUST SYSTEM - FLSTS: <a href="#">FLSTS</a>

## LIGHTING

[View interactive table](#)

PART NO.	DESCRIPTION	PART AND MODEL(S)
68168-89A	BULB	AUXILIARY/FOG LAMPS - FLSTC & FLSTS, FRONT TURN SIGNALS - FLSTC (1 OF 2): <a href="#">FLSTC</a> FRONT TURN SIGNALS: <a href="#">FXST</a> <a href="#">FXSTC</a> <a href="#">FXSTS</a> <a href="#">FLSTF</a> <a href="#">FLSTS</a> <a href="#">TAIL LAMP: All Models</a>
68329-03	BULB	HEADLAMP (1 OF 2): <a href="#">FXST</a> <a href="#">FXSTC</a> <a href="#">FXSTS</a> <a href="#">FLSTS</a> <a href="#">FXSTB</a>
68572-64B	BULB	<a href="#">REAR TURN SIGNALS: All Models</a>

## MAINTENANCE & TOOLS

[View interactive table](#)

PART NO.	DESCRIPTION	PART AND MODEL(S)
63731-99A	OIL FILTER	OIL FILTER & MOUNT: <a href="#">FXSTB</a>
63798-99A	OIL FILTER	OIL FILTER & MOUNT: <a href="#">FXST</a> <a href="#">FLSTC</a> <a href="#">FXSTC</a> <a href="#">FXSTS</a> <a href="#">FLSTF</a> <a href="#">FLSTS</a>



PART NO.	DESCRIPTION	PART AND MODEL(S)
65989-97C	BATTERY	<a href="#">BATTERY: All Models</a>
95582-47	WEIGHT	FRONT WHEEL (2 OF 2): <a href="#">FXST</a> <a href="#">FLSTC</a> <a href="#">FXSTC</a> <a href="#">FXSTS</a> <a href="#">FLSTS</a> <a href="#">FXSTB</a> REAR WHEEL: <a href="#">FXST</a> <a href="#">FLSTC</a> <a href="#">FXSTS</a> <a href="#">FLSTS</a>
95595-84A	WEIGHT	FRONT WHEEL (2 OF 2): <a href="#">FLSTF</a> REAR WHEEL: <a href="#">FXSTC</a> <a href="#">FLSTF</a> <a href="#">FXSTB</a>

## TIRES

View interactive table

PART NO.	DESCRIPTION	PART AND MODEL(S)
43157-83A	VALVE STEM	FRONT WHEEL (1 OF 2): <a href="#">FLSTF</a> REAR WHEEL: <a href="#">FXSTC</a> <a href="#">FLSTF</a> <a href="#">FXSTB</a>