



HARLEY-DAVIDSON



TOURING MODELS

2020 HARLEY-DAVIDSON® SERVICE MANUAL

94000738

2021 HARLEY-DAVIDSON® PARTS CATALOG: TOURING MODELS

- Alphabetical List
- Parts
- Hardware List
- New Parts List
- Numerical Index
- Component Types and Introduction Dates
- Common Service Parts

READER'S COMMENTS

The Harley-Davidson Service Communications Department maintains a continuous effort to improve the quality and usefulness of its publications. To do this effectively, we need user feedback - your critical evaluation of this manual.

Please comment on the completeness, accuracy, organization, usability, and readability of this manual.

Please list the page, item, and part number(s) of any errors you find in this manual.

Please tell us how we can improve this manual.

Name	Document 94000917
Occupation	Dealership

GENERAL INFORMATION

THIS IS NOT AN ASSEMBLY MANUAL AND SHOULD NOT BE USED AS SUCH.

About this Manual

This Parts Catalog has been prepared to make it easier for you to order parts for your motorcycles. The numbers shown in the illustrations correspond to the numbers in the "INDEX NO." column in the parts lists. Consult the illustrations when ordering parts to make sure that you receive all the required parts. The number in parentheses following the part description is the quantity needed for complete assembly. If there is no number in parentheses, only one is used. Prices of parts in this catalog are published separately.

When ordering parts, the following instructions should be followed carefully.

- Make sure to specify the correct part number for each item. The part numbers appear under the "PART NO." column in the parts lists.
- Orders may be placed via your computer for all parts. Review your system documentation on placing orders electronically. All non-warranty replacement crankcase orders require return of the complete left crankcase half with vehicle identification number (VIN). All non-warranty replacement frame orders require return of the steering neck with vehicle identification number (VIN). Non-compliance will result in a fine. See non-warranty frame and crankcase policy or contact Dealer Services.
- The sale or use of these parts or accessories does not grant the purchaser a license or other right under any Harley-Davidson patent.
- For all 2008 and later painted parts, refer to the Service Section of h-dnet.com which features a listing of painted part numbers, except CVO (Custom Vehicle Operations) models which are located in their own respective catalogs.
- All parts that were added for the new model year will have the entire line shaded on the parts list page. This can be used to identify any new parts that are unique to a specific model, and help distinguish new and previous model year parts.
- Parts marked "**RESTRICTED SALE PART**" are limited edition items and can only be ordered as direct replacements.
- Orientation symbols are used when the illustration is not in the standard "Right-Front" orientation. The symbol is a motorcycle with an arrow in the front indicating the direction of view. The symbol is at the bottom left or right side of the illustration page.
- To request a missing or loose part, simply submit a Return Material Authorization (RMA) claim on h-dnet.com with code "T-part not included with vehicle" for all vehicle missing parts claims. Then place an

order for the missing item on your next Parts and Accessories order. Upon filing the RMA claim, your dealership will be credited for the dealer net cost of the part. The Vehicle Identification Number must be included on the RMA claim in order for you to receive credit. This process is to be used for vehicles manufactured at all plants.

To the best knowledge of Harley-Davidson Motor Company, the material contained herein is accurate as of the date this publication was approved for printing. Harley-Davidson Motor Company reserves the right to change specifications, equipment or designs at any time without notice and without incurring obligation.

©2021 H-D.

GENERAL INFORMATION

LOOSE PARTS

The Loose Parts section is located at the back of this parts catalog. This section lists the parts which are shipped unfastened with the vehicles covered in this catalog.

HARDWARE LIST

The Hardware List is located at the back of this parts catalog. This section contains the information for each piece of hardware found in each parts list.

NEW PARTS LIST

The New Parts List is located at the back of this parts catalog. This list serves as a summary of new parts.

NUMERICAL INDEX

The Numerical Index is located at the back of this parts catalog. This index includes all part numbers used in this catalog and the page numbers of where they can be found.

COMPONENT TYPES AND INTRODUCTION DATES

The Component Types and Introduction Dates section is located at the back of this parts catalog. This section contains a list of component part numbers and year of introduction.

COMMON SERVICE PARTS

The Common Service Parts section is located at the back of this parts catalog. This section contains the most commonly ordered parts for service on vehicles covered in this catalog. These parts are ordered through the normal ordering process.

SIP (SERVICE INFORMATION PORTAL)

For the latest updates to these manuals, see the Service Information Portal.

VEHICLE IDENTIFICATION NUMBER

See Figure 1. A unique 17-digit serial, or vehicle identification number (VIN), is assigned to each motorcycle. For a description of each digit in the vehicle identification number (VIN), refer to Table 1.

For all models except V-Rod the full 17-digit serial, or vehicle identification number (VIN), is stamped on the right side of the frame backbone at the rear of the steering head. The vehicle identification number (VIN) is also printed on a label on the right front downtube. An abbreviated vehicle identification number (VIN) is stamped on the left side crankcase between the front and rear cylinders.

For V-Rod models only the full 17-digit serial, or vehicle identification number (VIN), is stamped on the right side of the steering head. The vehicle identification number (VIN) is also printed on a label on the left frame tube above the front engine cylinder. An abbreviated vehicle identification number (VIN) is stamped on the left side crankcase below the rear cylinder head.

Always give the full 17-digit vehicle identification number (VIN) when ordering parts or making any inquiry about your motorcycle.

2021 TOURING MODELS

VIN Model Codes

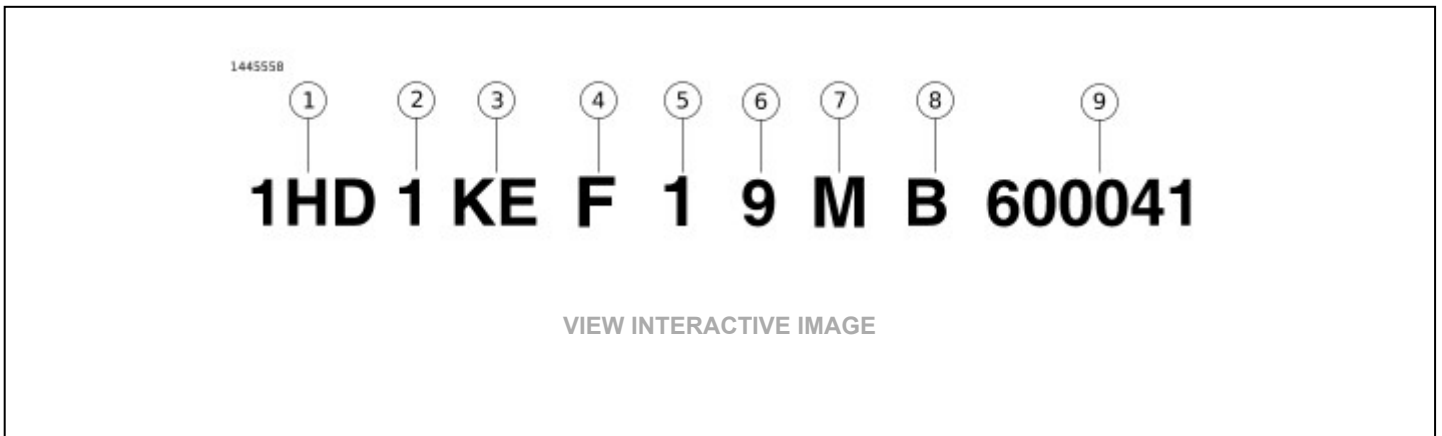


Figure 4. Typical Harley-Davidson VIN

Table 2. Harley-Davidson VIN Breakdown

POSITION	DESCRIPTION	POSSIBLE VALUES
1	World manufacturer identifier	1HD=Originally manufactured in the United States 5HD=Originally manufactured in the United States for sale outside of the United States 932=Originally manufactured in Brazil MEG=Originally manufactured in India MLY=Originally manufactured in Thailand
2	Motorcycle type	1=Heavyweight motorcycle (901 cm ³ or larger)
3	Model	See VIN model table
4	Engine type	C=Milwaukee-Eight™ 107 Engine, 1745 cm ³ F=Twin-Cooled™ Milwaukee-Eight™ 114 Engine, 1868 cm ³ P=Milwaukee-Eight™ 114 Engine, 1868 cm ³
5	Calibration/configuration, introduction	1=Domestic (DOM) 2=California (CAL) 3=Canada (CAN) 4=ENG/EN2/HDI/HD2/HD4 5=Japan (JPN) 6=Australia (AUS)

POSITION	DESCRIPTION	POSSIBLE VALUES
		7=Brazil (BRZ) 8=Asia Pacific (APC) 9=IND/IN2 0=ASEAN (AZN) A=China (CHN) G=HD3
6	VIN check digit	Can be 0-9 or X
7	Model year	M=2021
8	Assembly plant	B=York, PA U.S.A. D=H-D Brazil-Manaus, Brazil (CKD) N=Haryana India (Bawal District Rewari) S=Tasit, Pluagdang, Rayong, Thailand
9	Sequential number	Varies

Table 3. VIN Model Codes: Touring Models

CODE	MODEL	CODE	MODEL
AA	Revival™ (FLH)	KN	Electra Glide® Ultra Limited Shrine (FLHTKSHRINE)
FB	Road King® (FLHR)	KR	Street Glide® Special (FLHXS)
FV	Electra Glide® Standard (FLHT)	KT	Road Glide® Special (FLTRXS)
KB	Street Glide® (FLHX)	KV	Road King® Special (FLHRXS)
KE	Electra Glide® Ultra Limited (FLHTK)	KZ	Road Glide® Limited (FLTRK)
KH	Road Glide® (FLTRX)		

NOTES

ABS MODULE

AIR CLEANER - FLHR, FLHT, FLHTK, FLHX, FLTRK, FLTRX

AIR CLEANER - FLHRXS, FLHXS, FLH, FLTRXS

AIR DEFLECTORS

AIR DEFLECTORS

AIR FILTER, ENGINE - FLHR, FLHT, FLHTK, FLHX, FLTRK, FLTRX

AIR FILTER, ENGINE - FLHRXS, FLHXS, FLH, FLTRXS

ALTERNATOR AND REGULATOR

ANTENNA, GPS - FLHTK, FLHX, FLHXS AND FLH

ANTENNA, GPS - FLTRK, FLTRX AND FLTRXS

ANTENNAS

AUXILIARY/FOG LAMPS AND TURN SIGNALS, FRONT - FLHR

AUXILIARY/FOG LAMPS AND TURN SIGNALS, FRONT - FLHTK AND FLH (1 OF 2)

AUXILIARY/FOG LAMPS AND TURN SIGNALS, FRONT - FLHTK AND FLH (2 OF 2)

AXLE, FRONT, CAST
BALANCER ASSEMBLY - Milwaukee-eight™ 107
BALANCER ASSEMBLY - Milwaukee-eight™ 114
BATTERY
BATTERY CABLES
BEARING HOUSING, TRANSMISSION
BELT GUARD
BELT, CHAIN AND SPROCKETS
BODY CONTROL MODULE (BCM)
BRAKE CALIPER, FRONT
BRAKE CALIPER, REAR
BRAKE CONTROL, FRONT
BRAKE CONTROL, REAR
BRAKE DISC, FRONT, CAST
BRAKE DISC, REAR
BRAKE LEVER, FRONT
BRAKE LEVER, REAR
BRAKE LINES AND MODULE, REAR - ABS
BRAKE LINES, FRONT - ABS
BRAKE MASTER CYLINDER, FRONT
BRAKE MASTER CYLINDER, REAR
BRAKE MODULE, ABS
BULB, FRONT TURN SIGNALS - FLHR
BULB, FRONT TURN SIGNALS - FLHTK AND FLH
BULB, FRONT TURN SIGNALS - FLHX AND FLHXS
BULB, FRONT TURN SIGNALS - FLTRK, FLTRX AND FLTRXS
BULB, HEADLAMP - FLHT, FLHTK, FLHX, FLHXS AND FLH
BULB, REAR TURN SIGNALS - FLHR
BULB, REAR TURN SIGNALS - FLHRXS, FLHX, FLHXS, FLTRX, FLTRXS
BULB, REAR TURN SIGNALS - FLHT AND FLH
BULB, REAR TURN SIGNALS - FLHTK, FLTRK (HDI)
CALIPER, FRONT BRAKE
CALIPER, REAR BRAKE
CAMSHAFT COVER
CAMSHAFT SUPPORT PLATE
CAMSHAFTS AND CAMSHAFT COVER (1 OF 2)
CAMSHAFTS AND CAMSHAFT COVER (2 OF 2)
CARBON CANISTER
CHAIN, PRIMARY
CHECK VALVE, OIL PRESSURE
CLUTCH
CLUTCH CABLE
CLUTCH CONTROL
CLUTCH CONTROL HAND LEVER
CONNECTING ROD - Milwaukee-eight™ 107
CONNECTING ROD - Milwaukee-eight™ 114
CONSOLE, FUEL TANK - FLHT, FLHTK, FLHX, FLH, FLTRK AND FLTRX (1 OF 2)
CONSOLE, FUEL TANK - FLHT, FLHTK, FLHX, FLH, FLTRK AND FLTRX (2 OF 2)
CONSOLE, FUEL TANK - FLHXS, FLTRXS
COOLANT DISTRIBUTION - AIR-COOLED
COOLANT DISTRIBUTION - TWIN-COOLED™
COOLANT HOSES, RADIATOR
COOLANT PUMP, TWIN-COOLED™

COOLING SYSTEM, ENGINE, AIR-COOLED
COOLING SYSTEM, ENGINE, TWIN-COOLED™
COVER, PUSHRODS
COVERS AND AIR DEFLECTORS
CRANKCASE
CRANKCASE BEARINGS
CRANKSHAFT - Milwaukee-eight™ 107
CRANKSHAFT - Milwaukee-eight™ 114
CYLINDER HEADS
CYLINDERS, HEADS AND VALVES
DEBRIS DEFLECTOR
DIPSTICK, OIL TANK
ELECTRONIC CONTROL MODULE (ECM) AND COIL
ENGINE ASSEMBLY - Milwaukee-eight™ 107
ENGINE ASSEMBLY - Milwaukee-eight™ 114
ENGINE GUARD - FLHRXS, FLHXS, FLTRXS
ENGINE MOUNTS AND STABILIZER LINK
ENGINE SENSORS AND SWITCHES
EVAPORATIVE EMISSIONS COMPONENTS
EXHAUST SYSTEM (1 OF 2)
EXHAUST SYSTEM (2 OF 2)
FAIRING, INNER - FLHT, FLHTK, FLHX, FLHXS AND FLH (1 OF 3)
FAIRING, INNER - FLHT, FLHTK, FLHX, FLHXS AND FLH (3 OF 3)
FAIRING, INNER - FLHT, FLHTK, FLHX, FLHXS AND FLH(2 OF 3)
FAIRING, INNER - FLTRK, FLTRX AND FLTRXS (1 OF 2)
FAIRING, INNER - FLTRK, FLTRX AND FLTRXS (2 OF 2)
FAIRING, LOWERS, TWIN-COOLED™ - FLHTK, FLTRK
FAIRING, OUTER - FLHT, FLHTK, FLHX, FLHXS AND FLH
FAIRING, OUTER - FLTRK, FLTRX AND FLTRXS
FAN ASSEMBLY, RADIATOR
FENDERS, FRONT
FENDERS, REAR
FILTER, AIR - FLHR, FLHT, FLHTK, FLHX, FLTRK, FLTRX
FILTER, AIR - FLHRXS, FLHXS, FLH, FLTRXS
FILTER, FUEL - FLHR, FLHRXS
FILTER, FUEL - FLHT, FLHTK, FLHX, FLHXS, FLH, FLTRK, FLTRX AND FLTRXS
FILTER, OIL
FLYWHEEL ASSEMBLY - Milwaukee-eight™ 107
FLYWHEEL ASSEMBLY - Milwaukee-eight™ 114
FOG LAMPS - FLHR
FOG LAMPS - FLHTK AND FLH
FOOTBOARDS AND FOOTPEGS, PASSENGER
FOOTBOARDS, OPERATOR
FOOTPEGS, PASSENGER
FORK BRACKETS, FRONT
FORK LOCK
FORK, FRONT
FORK, REAR
FRAME AND FORK, REAR AND TOUR-PAK SUPPORT
FRAME AND JIFFY STAND - FLHR, FLHT, FLHTK, FLHX, FLH, FLTRK, FLTRX (1 OF 2)
FRAME AND JIFFY STAND - FLHR, FLHT, FLHTK, FLHX, FLH, FLTRK, FLTRX (2 OF 2)
FRAME AND JIFFY STAND - FLHRXS, FLHXS, FLTRXS
FRAME, MAIN - FLHR, FLHT, FLHTK, FLHX, FLH, FLTRK, FLTRX

FRAME, MAIN - FLHRXS, FLHXS, FLTRXS
FRAME, REAR
FRONT FORK - STANDARD
FUEL CAP - FLHR, FLHRXS, FLHXS AND FLTRXS
FUEL CAP - FLHT, FLHTK, FLHX, FLH, FLTRK AND FLTRX
FUEL FILTER - FLHR, FLHRXS
FUEL FILTER - FLHT, FLHTK, FLHX, FLHXS, FLH, FLTRK, FLTRX AND FLTRXS
FUEL GAUGE - FLHR, FLHRXS
FUEL GAUGE - FLHT, FLHTK, FLHX, FLHXS AND FLH
FUEL GAUGE - FLTRK, FLTRX, FLTRXS
FUEL INJECTOR
FUEL LEVEL SENDER - FLHR, FLHRXS
FUEL LEVEL SENDER - FLHT, FLHTK, FLHX, FLHXS, FLH, FLTRK, FLTRX AND FLTRXS
FUEL PUMP - FLHR, FLHRXS, FLHXS AND FLTRXS
FUEL PUMP - FLHT, FLHTK, FLHX, FLH, FLTRK AND FLTRX
FUEL TANK - FLHR, FLHRXS, FLHXS AND FLTRXS
FUEL TANK - FLHT, FLHTK, FLHX, FLH, FLTRK AND FLTRX
FUEL TANK TRIM (1 OF 2)
FUEL TANK TRIM (2 OF 2)
FUSES
FUSES
FUSES
FUSES
FUSES
GAUGE, FUEL - FLHR, FLHRXS
GAUGE, FUEL - FLHT, FLHTK, FLHX AND FLHXS
GAUGE, FUEL - FLTRK, FLTRX, FLTRXS
GAUGE, VOLTMETER - FLHT, FLHTK, FLHX, FLHXS AND FLH
GEAR SHIFTER
GLOVE BOX - FLHTK
GRIPS, HANDLEBAR
GUARD, ENGINE - FLHR, FLHT, FLHTK, FLHX, FLH, FLTRK, FLTRX
GUARDS, SADDLEBAG
HANDLEBAR
HEADLAMP - FLHR, FLHRXS
HEADLAMP - FLHT, FLHTK, FLHX, FLHXS AND FLH
HEADLAMP - FLTRK, FLTRX AND FLTRXS
HEADS, CYLINDER
HEADSET, SOUND SYSTEM - FLHTK, FLHX AND FLHXS
HORN
HOUSING, SPEEDOMETER - FLTRK, FLTRX AND FLTRXS
IGNITION COIL
INDICATOR LAMPS - FLHR, FLHRXS
INDUCTION MODULE, FUEL
INNER FAIRING - FLTRK, FLTRX, FLTRXS
INSTRUMENT CLUSTER - FLHT, FLHTK, FLHX, FLHXS AND FLH
INSTRUMENT CLUSTER - FLTRK, FLTRX, FLTRXS
INSTRUMENT HOUSING - FLTRK, FLTRX AND FLTRXS
INSTRUMENTS - FLHT, FLHTK, FLHX, FLHXS AND FLH
INSTRUMENTS - FLTRK, FLTRX AND FLTRXS
INSTRUMENTS, FUEL TANK - FLHR AND FLHRXS
INTERCOM CONTROL POD
ISOLATOR, REAR WHEEL

JET, PISTON COOLING
JIFFY STAND - FLHR, FLHT, FLHTK, FLHX, FLH, FLTRK, FLTRX
JIFFY STAND - FLHRXS, FLHXS, FLTRXS
KEY FOB
LABELS
LAMPS AND SPEAKER HOUSINGS, ULTRA TOUR-PAK (1 OF 2)
LAMPS AND SPEAKER HOUSINGS, ULTRA TOUR-PAK (2 OF 2)
LED, AUXILIARY/FOG LAMPS - FLHTK
LED, HEADLAMP - FLHT, FLHTK, FLHX, FLHXS AND FLH
LICENSE PLATE BRACKETS
LIFTER, HYDRAULIC
LIGHT, REAR FENDER
LOCK, SADDLEBAG
LOCK, SADDLEBAG
LOCKSET
LOOSE PARTS (1 OF 3)
LOOSE PARTS (2 OF 3)
LOOSE PARTS (3 OF 3)
LOWER FAIRINGS - FLHTK
LUGGAGE RACK, TOUR-PAK
MAIN FUSE
MAIN FUSE
MAIN FUSE
MAIN FUSE
MAIN FUSE
MAIN FUSE
MAIN FUSE
MASTER CYLINDER, BRAKE, FRONT
MASTER CYLINDER, BRAKE, REAR
MIRRORS
MODULE, SECURITY SYSTEM
MODULE, TURN SIGNAL CANCELLER
NACELLE AND HEADLAMP - FLHR AND FLHRXS (1 OF 2)
NACELLE AND HEADLAMP - FLHR AND FLHRXS (2 OF 2)
OIL COOLER, AIR-COOLED
OIL FILTER, ENGINE
OIL PAN, TRANSMISSION
OIL PUMP
PADS, FRONT BRAKE
PADS, REAR BRAKE
PISTON COOLING, JET
PISTONS AND FLYWHEEL ASSEMBLY - Milwaukee-eight™ 107
PISTONS AND FLYWHEEL ASSEMBLY - Milwaukee-eight™ 114
PRIMARY COVER
PRIMARY HOUSING
PUMP, COOLANT, TWIN-COOLED™
PUSHRODS
RADIATOR, COOLANT HOSES AND BOTTLE - TWIN-COOLED™
RADIO - FLHTK, FLHX, FLHXS AND FLH
RADIO - FLTRX AND FLTRXS
RADIO CONTROL, PASSENGER
REAR FORK
REFLECTOR, FRONT FORK - STANDARD
REFLECTOR, LICENSE PLATE BRACKET

REFLECTOR, SADDLEBAG
REGULATOR, VOLTAGE
REMOTE CONTROL FOB
RESERVOIR, RADIATOR
ROCKER ARM ASSEMBLY AND PUSHRODS
ROTOR, ENGINE
SADDLEBAG GUARDS
SADDLEBAG SUPPORTS
SADDLEBAGS (1 OF 2)
SADDLEBAGS (2 OF 2)
SEAT- FLH
SEATS
SECURITY SYSTEM, ANTENNA MODULE
SENSOR, AMBIENT TEMPERATURE
SENSOR, COOLANT TEMPERATURE
SENSOR, CRANKSHAFT POSITION
SENSOR, ENGINE TEMP
SENSOR, IMU
SENSOR, KNOCK
SENSOR, TEMPERATURE MANIFOLD ABSOLUTE PRESSURE (TMAP)
SENSOR, TIRE PRESSURE, FRONT
SENSOR, TIRE PRESSURE, FRONT
SENSOR, WHEEL SPEED, FRONT, CAST
SENSOR, WHEEL SPEED, REAR
SENSORS AND SWITCHES, ENGINE
SHIFTER CAMSHAFT
SHIFTER FORK
SHIFTER LEVER
SHIFTER, GEAR
SHOCK ABSORBERS, REAR
SIDE COVER
SOLENOID, AUTO COMPRESSION RELEASE (ACR)
SOLENOID, PURGE
SOUND SYSTEM - FLHTK, FLHX, FLHXS AND FLH (1 OF 2)
SOUND SYSTEM - FLHTK, FLHX, FLHXS AND FLH (2 OF 2)
SOUND SYSTEM - FLTRK, FLTRX AND FLTRXS (1 OF 2)
SOUND SYSTEM - FLTRK, FLTRX AND FLTRXS (2 OF 2)
SPARK PLUGS
SPEAKER, FRONT - FLHTK, FLHX, FLHXS AND FLH
SPEAKER, FRONT - FLTRK, FLTRX AND FLTRXS
SPEAKER, REAR
SPEEDOMETER - FLHR, FLHRXS
SPEEDOMETER - FLHT, FLHTK, FLHX, FLHXS AND FLH
SPEEDOMETER - FLTRK, FLTRX, FLTRXS
SPEEDOMETER HOUSING - FLTRK, FLTRX AND FLTRXS
SPROCKET, BELT
SPROCKET, TRANSMISSION
STABILIZER LINK, ENGINE
STARTER MOTOR
STATOR
SWINGARM
SWITCH, IGNITION - FLHR, FLHRXS
SWITCH, IGNITION

SWITCH, NEUTRAL INDICATOR
SWITCH, OIL PRESSURE
SWITCH, SPOT AND ACCESSORY - FLHR, FLHRXS
SWITCH, STOP LAMP
SWITCHES (1 OF 2)
SWITCHES (2 OF 2)
SWITCHES, HANDLEBAR, LEFT - EXCEPT FLHRXS
SWITCHES, HANDLEBAR, LEFT - FLHRXS
SWITCHES, HANDLEBAR, RIGHT - EXCEPT FLHRXS
SWITCHES, HANDLEBAR, RIGHT - FLHRXS
TACHOMETER - FLHT, FLHTK, FLHX, FLHXS AND FLH
TACHOMETER - FLTRK, FLTRX, FLTRXS
TAIL LAMP (1 OF 2)
TAIL LAMP (2 OF 2)
TAIL LAMP AND TURN SIGNALS, REAR - FLHR
TAIL LAMP AND TURN SIGNALS, REAR - FLHRXS, FLHX, FLHXS, FLTRX, FLTRXS
TAIL LAMP AND TURN SIGNALS, REAR - FLHT AND FLH
TAIL LAMP AND TURN SIGNALS, REAR - FLHTK, FLTRK (HDI)
TETHER, TOUR-PAK
THROTTLE CONTROL
TIRE, FRONT, CAST
TIRE, REAR
TOUR-PAK (BOTTOM)
TOUR-PAK (COVER)
TOUR-PAK SUPPORT
TRANSMISSION BEARINGS AND COVERS
TRANSMISSION GEARS
TRANSMISSION HOUSING, COVER AND OIL PAN
TRIPLE CLAMP
TURN SIGNALS, FRONT - FLHR
TURN SIGNALS, FRONT - FLHRXS
TURN SIGNALS, FRONT - FLHT, FLHX AND FLHXS
TURN SIGNALS, FRONT - FLHTK AND FLH
TURN SIGNALS, FRONT - FLTRK, FLTRX AND FLTRXS
TURN SIGNALS, REAR - FLHR
TURN SIGNALS, REAR - FLHRXS, FLHX, FLHXS, FLTRX, FLTRXS
TURN SIGNALS, REAR - FLHT AND FLH
TURN SIGNALS, REAR - FLHTK, FLTRK (HDI)
VALVES
VOLTAGE REGULATOR BRACKET, AIR-COOLED
VOLTAGE REGULATOR BRACKET, TWIN-COOLED™
VOLTAGE REGULATOR
VOLTMETER - FLHT, FLHTK, FLHX, FLHXS AND FLH
VOLTMETER - FLTRK, FLTRX, FLTRXS
WHEELS, FRONT (1 OF 2)
WHEELS, FRONT (2 OF 2)
WHEELS, REAR (1 OF 2)
WHEELS, REAR (2 OF 2)
WINDSHIELD - FLHR
WINDSHIELD, FAIRING AND HEADLAMP - FLHT, FLHTK, FLHX, FLHXS AND FLH (1 OF 2)
WINDSHIELD, FAIRING AND HEADLAMP - FLHT, FLHTK, FLHX, FLHXS AND FLH (2 OF 2)
WINDSHIELD, FAIRING AND HEADLAMP - FLTRK, FLTRX AND FLTRXS (1 OF 2)
WINDSHIELD, FAIRING AND HEADLAMP - FLTRK, FLTRX AND FLTRXS (2 OF 2)

WIRE TROUGH TRAY

WIRING HARNESS - FLHT, FLHTK, FLHX, FLHXS AND FLH

WIRING HARNESS - FLTRK, FLTRX AND FLTRXS

WIRING HARNESS, AUDIO CONSOLE

WIRING HARNESS, BATTERY

WIRING HARNESS, CONSOLE - FLHR AND FLHRXS

WIRING HARNESS, FAIRING - FLHT, FLHX, FLHXS AND FLH

WIRING HARNESS, FAIRING - FLHTK

WIRING HARNESS, FAIRING - FLTRK, FLTRX AND FLTRXS

WIRING HARNESS, FUEL TANK CONSOLE - FLHR, FLHRXS

WIRING HARNESS, FUEL TANK CONSOLE - FLHT, FLHTK, FLHX, FLH, FLTRK AND FLTRX

WIRING HARNESS, FUEL TANK CONSOLE - FLHXS, FLTRXS

WIRING HARNESS, LEFT HANDLEBAR SWITCHES - EXCEPT FLHRXS

WIRING HARNESS, LEFT HANDLEBAR SWITCHES - FLHRXS

WIRING HARNESS, MAIN - FLHR, FLHRXS (1 OF 10)

WIRING HARNESS, MAIN - FLHR, FLHRXS (10 OF 10)

WIRING HARNESS, MAIN - FLHR, FLHRXS (2 OF 10)

WIRING HARNESS, MAIN - FLHR, FLHRXS (3 OF 10)

WIRING HARNESS, MAIN - FLHR, FLHRXS (4 OF 10)

WIRING HARNESS, MAIN - FLHR, FLHRXS (5 OF 10)

WIRING HARNESS, MAIN - FLHR, FLHRXS (6 OF 10)

WIRING HARNESS, MAIN - FLHR, FLHRXS (7 OF 10)

WIRING HARNESS, MAIN - FLHR, FLHRXS (8 OF 10)

WIRING HARNESS, MAIN - FLHR, FLHRXS (9 OF 10)

WIRING HARNESS, MAIN - FLHT, FLHX, FLHXS AND FLH (1 OF 10)

WIRING HARNESS, MAIN - FLHT, FLHX, FLHXS AND FLH (10 OF 10)

WIRING HARNESS, MAIN - FLHT, FLHX, FLHXS AND FLH (2 OF 10)

WIRING HARNESS, MAIN - FLHT, FLHX, FLHXS AND FLH (3 OF 10)

WIRING HARNESS, MAIN - FLHT, FLHX, FLHXS AND FLH (4 OF 10)

WIRING HARNESS, MAIN - FLHT, FLHX, FLHXS AND FLH (5 OF 10)

WIRING HARNESS, MAIN - FLHT, FLHX, FLHXS AND FLH (6 OF 10)

WIRING HARNESS, MAIN - FLHT, FLHX, FLHXS AND FLH (7 OF 10)

WIRING HARNESS, MAIN - FLHT, FLHX, FLHXS AND FLH (8 OF 10)

WIRING HARNESS, MAIN - FLHT, FLHX, FLHXS AND FLH (9 OF 10)

WIRING HARNESS, MAIN - FLHTK (1 OF 10)

WIRING HARNESS, MAIN - FLHTK (10 OF 10)

WIRING HARNESS, MAIN - FLHTK (2 OF 10)

WIRING HARNESS, MAIN - FLHTK (3 OF 10)

WIRING HARNESS, MAIN - FLHTK (4 OF 10)

WIRING HARNESS, MAIN - FLHTK (5 OF 10)

WIRING HARNESS, MAIN - FLHTK (6 OF 10)

WIRING HARNESS, MAIN - FLHTK (7 OF 10)

WIRING HARNESS, MAIN - FLHTK (8 OF 10)

WIRING HARNESS, MAIN - FLHTK (9 OF 10)

WIRING HARNESS, MAIN - FLTRK (1 OF 10)

WIRING HARNESS, MAIN - FLTRK (10 OF 10)

WIRING HARNESS, MAIN - FLTRK (2 OF 10)

WIRING HARNESS, MAIN - FLTRK (3 OF 10)

WIRING HARNESS, MAIN - FLTRK (4 OF 10)

WIRING HARNESS, MAIN - FLTRK (5 OF 10)

WIRING HARNESS, MAIN - FLTRK (6 OF 10)

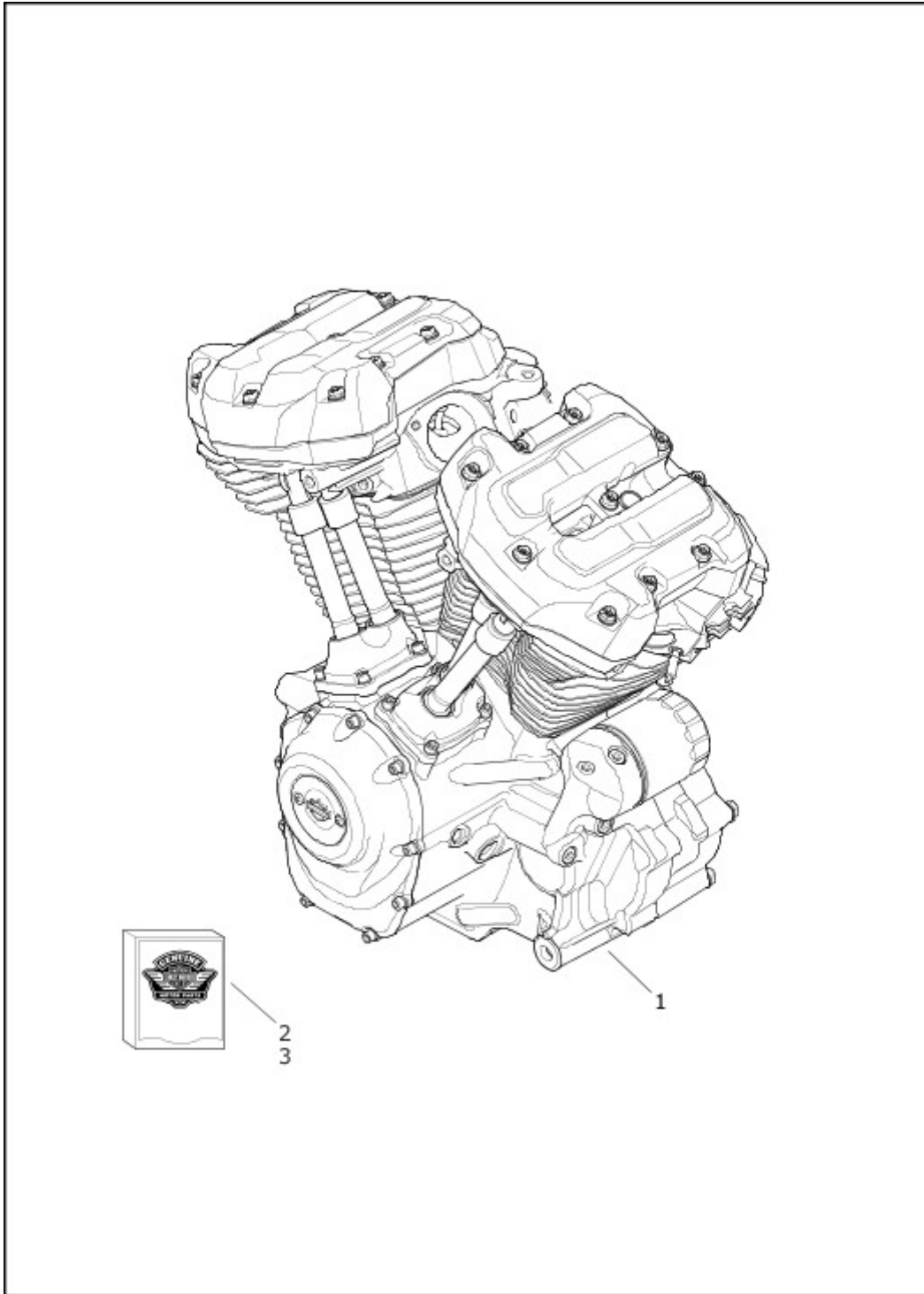
WIRING HARNESS, MAIN - FLTRK (7 OF 10)

WIRING HARNESS, MAIN - FLTRK (8 OF 10)

WIRING HARNESS, MAIN - FLTRK (9 OF 10)
WIRING HARNESS, MAIN - FLTRX, FLTRXS (1 OF 10)
WIRING HARNESS, MAIN - FLTRX, FLTRXS (10 OF 10)
WIRING HARNESS, MAIN - FLTRX, FLTRXS (2 OF 10)
WIRING HARNESS, MAIN - FLTRX, FLTRXS (3 OF 10)
WIRING HARNESS, MAIN - FLTRX, FLTRXS (4 OF 10)
WIRING HARNESS, MAIN - FLTRX, FLTRXS (5 OF 10)
WIRING HARNESS, MAIN - FLTRX, FLTRXS (6 OF 10)
WIRING HARNESS, MAIN - FLTRX, FLTRXS (7 OF 10)
WIRING HARNESS, MAIN - FLTRX, FLTRXS (8 OF 10)
WIRING HARNESS, MAIN - FLTRX, FLTRXS (9 OF 10)
WIRING HARNESS, RADIATOR
WIRING HARNESS, REAR TURN SIGNAL JUMPER - FLHR
WIRING HARNESS, REAR TURN SIGNAL JUMPER - FLHRXS, FLHX, FLHXS, FLTRX, FLTRXS
WIRING HARNESS, REAR TURN SIGNAL JUMPER - FLHT AND FLH
WIRING HARNESS, REAR TURN SIGNAL JUMPER - FLHTK, FLTRK (HDI)
WIRING HARNESS, RIGHT HANDLEBAR SWITCHES - EXCEPT FLHRXS
WIRING HARNESS, RIGHT HANDLEBAR SWITCHES - FLHRXS
WIRING HARNESS, SPEAKER - FLHTK, FLHX, FLHXS AND FLH
WIRING HARNESS, TAIL LAMP
WIRING HARNESS, THROTTLE CONTROL
WIRING HARNESS, TOUR-PAK
WIRING HARNESS, TRIPLE CLAMP
WIRING HARNESS, UNIVERSAL SERIAL BUS (USB) - FLHTK, FLHX, FLHXS, FLHTK SHRINE AND FLH
WIRING HARNESS, UNIVERSAL SERIAL BUS (USB) - FLTRK, FLTRX, FLTRXS

Parts

ENGINE ASSEMBLY - Milwaukee-eight™ 107



VIEW INTERACTIVE IMAGE

[View interactive table](#)

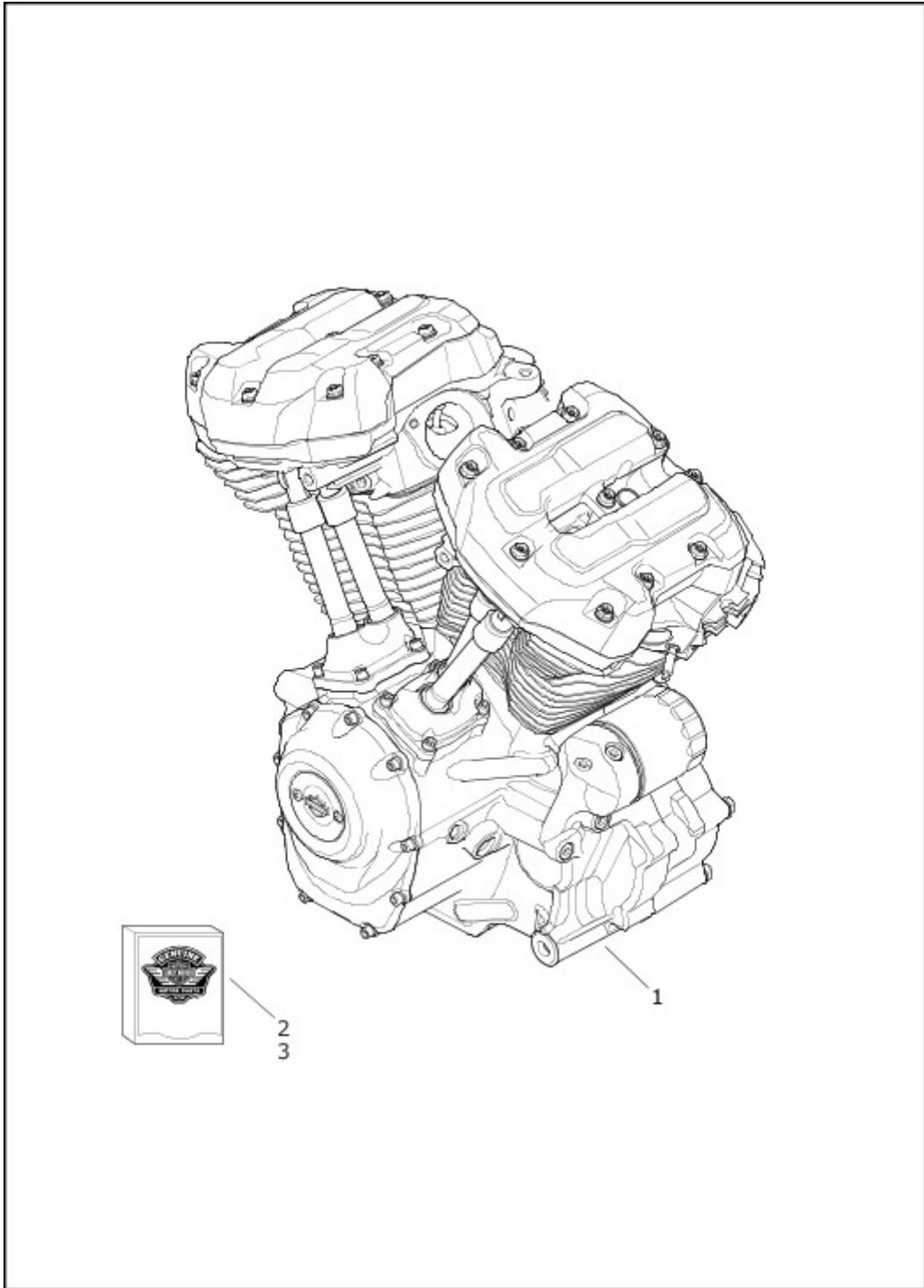
INDEX NO.	PART NO.	DESCRIPTION	MODEL(S)
1	16200659	ENGINE ASSEMBLY, complete (Air-Cooled) (Milwaukee-eight™ 107) (black)	FLHR, FLHX, FLTRX

Note: Cylinders, cylinder heads, camshaft, rocker arms, pushrods, pushrod covers, piston assemblies, tappets, oil pump, oil filter adapter, oil filter and cosmetic covers are not included with the shortblock assembly. These parts must be removed from the original engine and installed on the replacement shortblock assembly.

INDEX NO.	PART NO.	DESCRIPTION	MODEL(S)
1	16200666	ENGINE ASSEMBLY, complete (Air-Cooled) (Milwaukee-eight™ 107) (black)	FLHT
2	16200265	ENGINE ASSEMBLY, shortblock, with 91800064, crankcase, flywheel assembly, camshaft support plate assembly, balancer and cylinder studs (See Note)	FLHR, FLHT, FLHX, FLTRX
3	91800064	KIT, shortblock installation, with 25700729 top end gasket kit, 25700746 inner primary gasket kit, camshaft sprocket, camshaft drive chain and camshaft tensioner	FLHR, FLHT, FLHX, FLTRX

Note: Cylinders, cylinder heads, camshaft, rocker arms, pushrods, pushrod covers, piston assemblies, tappets, oil pump, oil filter adapter, oil filter and cosmetic covers are not included with the shortblock assembly. These parts must be removed from the original engine and installed on the replacement shortblock assembly.

ENGINE ASSEMBLY - Milwaukee-eight™ 114



VIEW INTERACTIVE IMAGE

[View interactive table](#)

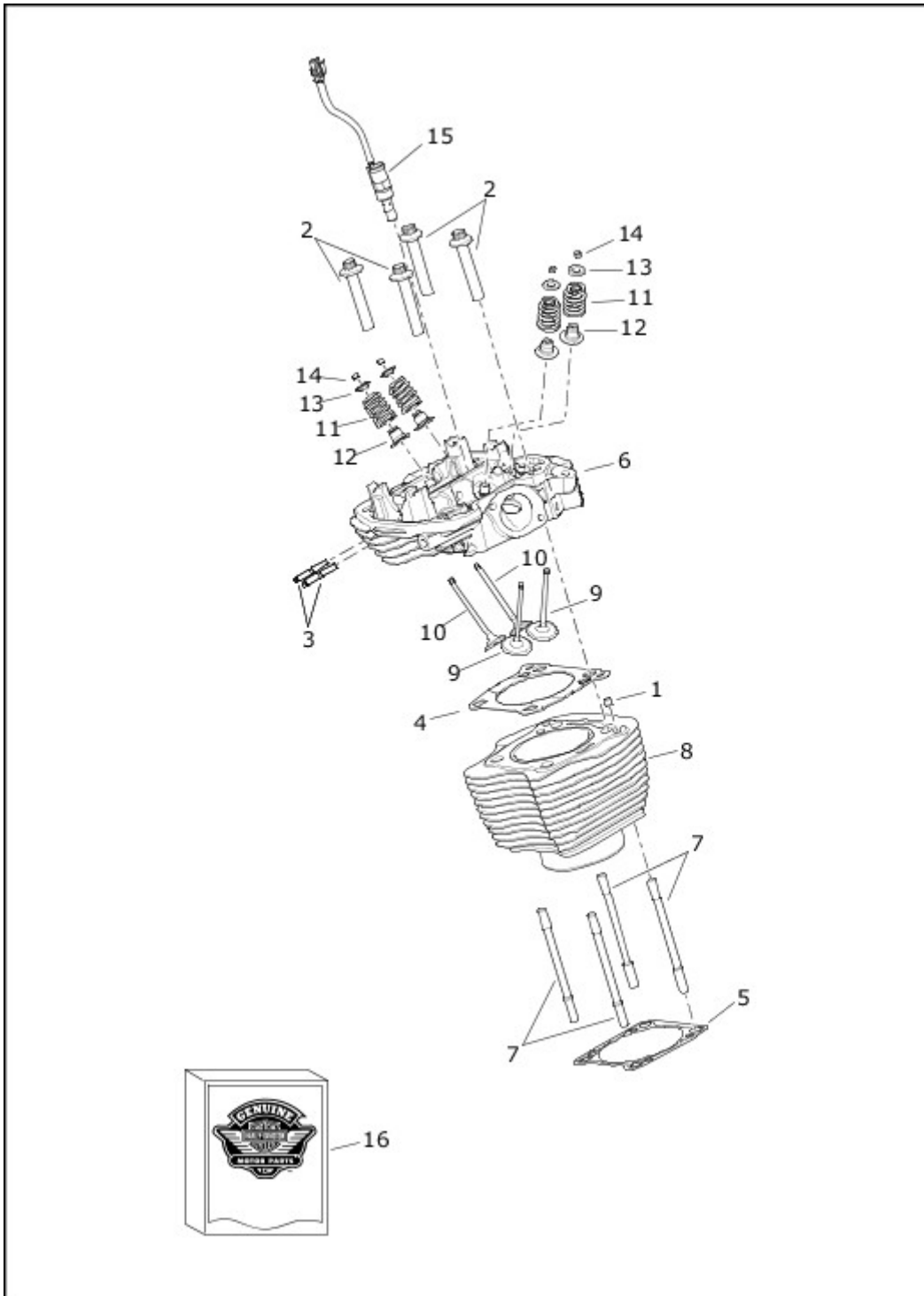
INDEX NO.	PART NO.	DESCRIPTION	MODEL(S)
1	16200661	ENGINE ASSEMBLY, complete (Twin-Cooled) (Milwaukee-eight™ 114) (chrome)	FLHTK, FLHTK SHRINE, FLTRK

Note: Cylinders, cylinder heads, camshaft, rocker arms, pushrods, pushrod covers, piston assemblies, tappets, oil pump, oil filter adapter, oil filter and cosmetic covers are not included with the shortblock assembly. These parts must be removed from the original engine and installed on the replacement shortblock assembly.

INDEX NO.	PART NO.	DESCRIPTION	MODEL(S)
1	16200667	ENGINE ASSEMBLY, complete (Twin-Cooled) (Milwaukee-eight™ 114) (black)	FLHTK, FLTRK
1	16200662	ENGINE ASSEMBLY, complete (Air-Cooled) (Milwaukee-eight™ 114) (black)	FLHRXS, FLHXS, FLTRXS
1	16200660	ENGINE ASSEMBLY, complete (Air-Cooled) (Milwaukee-eight™ 114) (chrome)	FLH, FLHXS
2	16200582	ENGINE ASSEMBLY, shortblock, with 91800064, crankcase, flywheel assembly, camshaft support plate assembly, balancer and cylinder studs (See Note)	FLH, FLHRXS, FLHTK, FLHTK SHRINE, FLHXS, FLTRK, FLTRXS
3	91800064	KIT, shortblock installation, with 25700729 top end gasket kit, 25700746 inner primary gasket kit, camshaft sprocket, camshaft drive chain and camshaft tensioner	FLH, FLHRXS, FLHTK, FLHTK SHRINE, FLHXS, FLTRK, FLTRXS

Note: Cylinders, cylinder heads, camshaft, rocker arms, pushrods, pushrod covers, piston assemblies, tappets, oil pump, oil filter adapter, oil filter and cosmetic covers are not included with the shortblock assembly. These parts must be removed from the original engine and installed on the replacement shortblock assembly.

CYLINDERS, HEADS AND VALVES



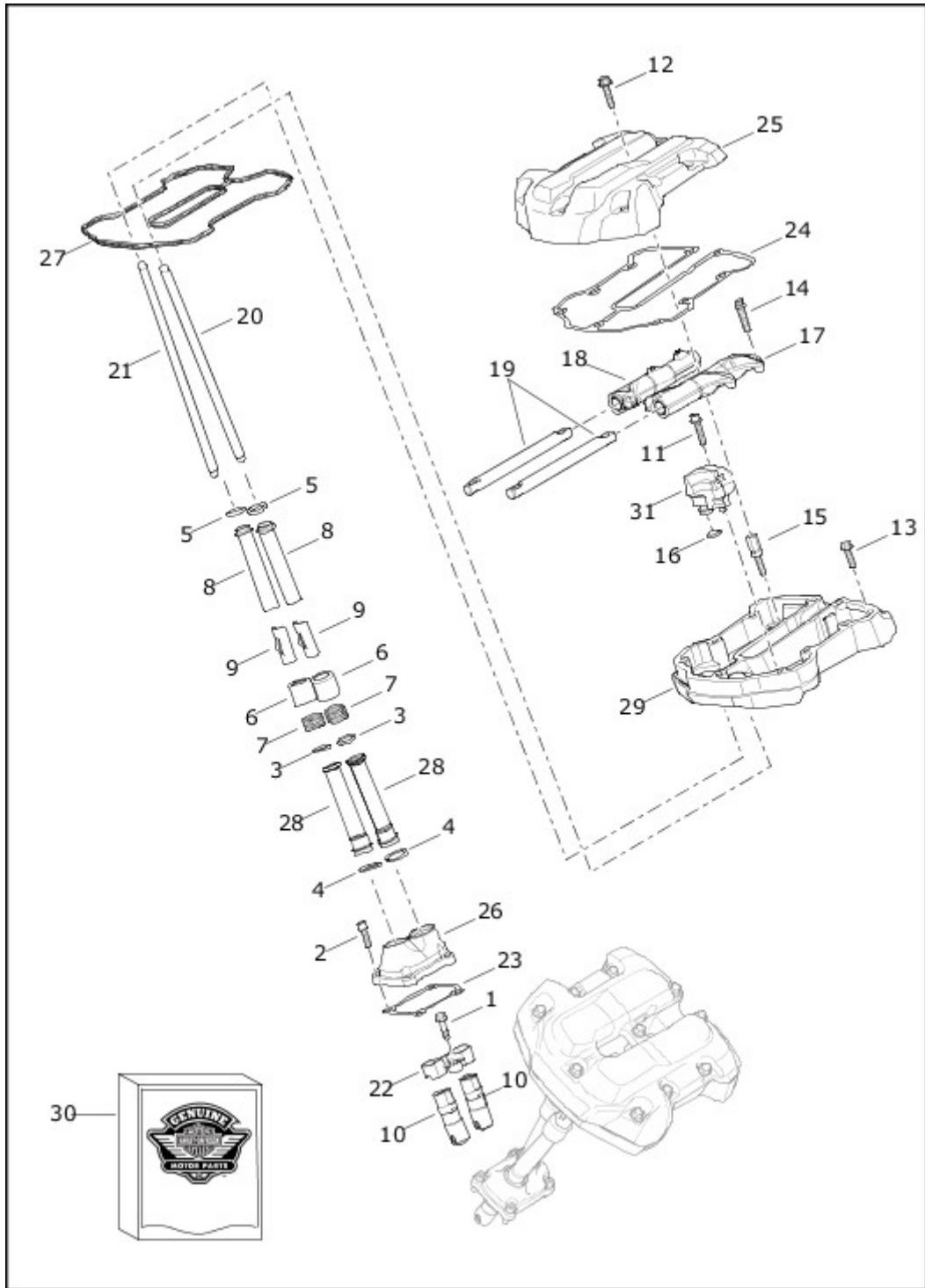
VIEW INTERACTIVE IMAGE

View interactive table

INDEX NO.	PART NO.	DESCRIPTION	MODEL(S)
1	16589-99A	DOWEL PIN (4)	ALL
2	10200303	FLANGE NUT (dull silver) (8)	ALL
3	10900015A	STUD, exhaust port (4)	ALL

INDEX NO.	PART NO.	DESCRIPTION	MODEL(S)
4	16500305	GASKET, cylinder head (4.016 in) (2)	FLH, FLHRXS, FLHTK, FLHTK SHRINE, FLHXS, FLTRK, FLTRXS
4	16500326	GASKET, cylinder head (3.937 in) (2)	FLHR, FLHT, FLHX, FLTRX
5	16500332	GASKET, cylinder base (2)	ALL
6	16500393	CYLINDER HEAD, front, with 3, 9, 10, 11, 12, 13, 14, 15 & 65324-83B (Air-Cooled) (black)	FLH, FLHR, FLHRXS, FLHT, FLHX, FLHXS, FLTRX, FLTRXS
6	16500388	CYLINDER HEAD, rear, with 3, 9, 10, 11, 12, 13, 14, 15 & 65324-83B (Air-Cooled) (black)	FLH, FLHR, FLHRXS, FLHT, FLHX, FLHXS, FLTRX, FLTRXS
6	16500508	CYLINDER HEAD, front, with 3, 9, 10, 11, 12, 13, 14, 15 & 65324-83B (Twin-Cooled) (black)	FLHTK, FLHTK SHRINE, FLTRK
6	16500498	CYLINDER HEAD, rear, with 3, 9, 10, 11, 12, 13, 14, 15 & 65324-83B (Twin-Cooled) (black)	FLHTK, FLHTK SHRINE, FLTRK
7	16800063	STUD, cylinder (8)	ALL
8	16800075	CYLINDER, front, with 16589-99A (4.016 in) (black)	FLH, FLHRXS, FLHTK, FLHTK SHRINE, FLHXS, FLTRK, FLTRXS
8	16800080	CYLINDER, rear, with 16589-99A (4.016 in) (black)	FLH, FLHRXS, FLHTK, FLHTK SHRINE, FLHXS, FLTRK, FLTRXS
8	16800095	CYLINDER, front, with 16589-99A (3.937 in) (black)	FLHR, FLHT, FLHX, FLTRX
8	16800100	CYLINDER, rear, with 16589-99A (3.937 in) (black)	FLHR, FLHT, FLHX, FLTRX
9	18000016	INTAKE VALVE (4)	ALL
10	18000034	EXHAUST VALVE (4)	ALL
11	18100043	VALVE SPRING (8)	ALL
12	18100044	SEAL, valve (8)	ALL
13	18100045	COLLAR, valve spring (8)	ALL
14	18100060	KEEPER, valve (16)	ALL
15	18400073B	SOLENOID, auto compression release (ACR) (2)	ALL
16	25700729	GASKET KIT, top end	ALL
16	25700730	GASKET KIT, engine overhaul	ALL

ROCKER ARM ASSEMBLY AND PUSHRODS



VIEW INTERACTIVE IMAGE

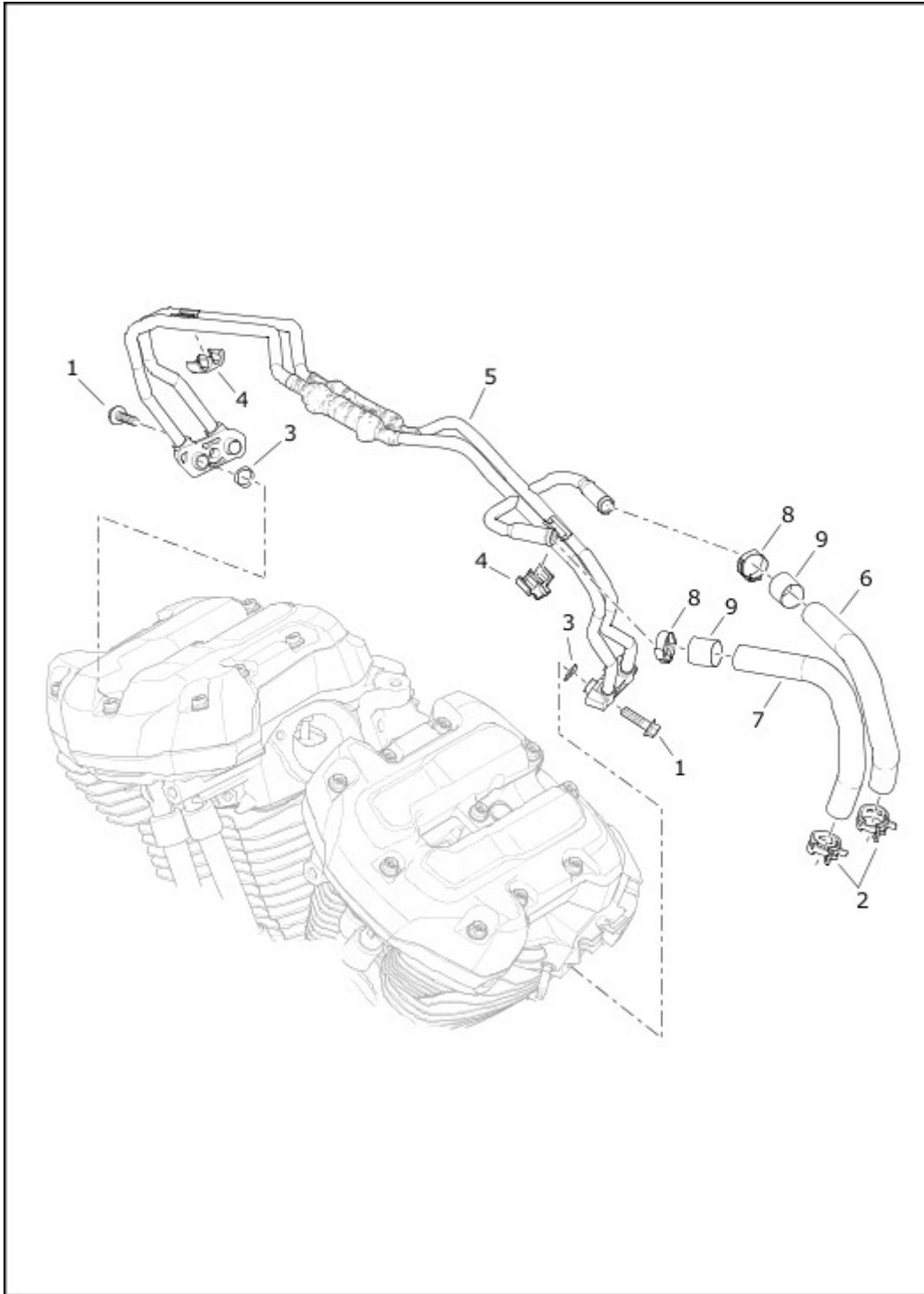
[View interactive table](#)

INDEX NO.	PART NO.	DESCRIPTION	MODEL(S)
1	3976	SCREW (2)	ALL
2	4741A	SCREW (8)	ALL
3	11132A	O-RING, pushrod cover (4)	ALL

INDEX NO.	PART NO.	DESCRIPTION	MODEL(S)
4	11145A	O-RING, pushrod cover (4)	ALL
5	11293	O-RING (4)	ALL
6	17945-36B	CAP, cover spring (4)	ALL
7	17947-36	SPRING, pushrod cover (4)	ALL
8	17948-99A	COVER, pushrod (upper) (4)	ALL
9	17968-99	RETAINER, spring cap (4)	ALL
10	18538-99C	HYDRAULIC LIFTER (4)	ALL
11	10200258	SCREW (2)	ALL
12	10200308	SCREW (20)	ALL
13	10200446	SCREW (8)	ALL
14	10200503	SCREW (8)	ALL
15	10500069	SPACER, rocker cover (2)	ALL
16	11900116	O-RING (2)	ALL
17	17300053	ROCKER ARM, rear intake, front exhaust (2)	ALL
18	17300055	ROCKER ARM, front intake, rear exhaust (2)	ALL
19	17300059B	SHAFT, rocker arm (4)	ALL
20	17900030	PUSHROD, intake, 10.301 in long (light blue stripes) (2)	ALL
21	17900031	PUSHROD, exhaust, 10.531 in long (yellow stripes) (2)	ALL
22	17900034	ANTI-ROTATION DEVICE, rear cylinder	ALL
22	17900035	ANTI-ROTATION DEVICE, front cylinder	ALL
23	25700362	GASKET, lifter cover (2)	ALL
24	25700372B	GASKET, rocker arm cover (2)	ALL
25	25700409	ROCKER COVER (chrome) (2)	FLH, FLHR, FLHTK, FLHTK SHRINE, FLHX, FLHXS, FLTRK, FLTRX
25	25700520	ROCKER COVER (black) (2)	FLHRXS, FLHTK, FLHTK SHRINE, FLHXS, FLTRK, FLTRXS
25	25700693	ROCKER COVER (polished) (2)	FLHT
26	25700410	LIFTER COVER, front (chrome)	ALL

INDEX NO.	PART NO.	DESCRIPTION	MODEL(S)
26	25700411	LIFTER COVER, rear (chrome)	ALL
27	25700425	GASKET, rocker housing, lower (2)	ALL
28	25701000	COVER, pushrod (lower) (4)	ALL
29	25700637	ROCKER COVER, lower, with 25700425 (chrome) (2)	FLH, FLHR, FLHRXS, FLHTK, FLHTK SHRINE, FLHX, FLHXS, FLTRK, FLTRX, FLTRXS
29	25700692	ROCKER COVER, lower (polished) (2)	FLHT
30	25700731	GASKET KIT, camshaft service	ALL
31	29400183	BREATHER ASSEMBLY, rear, with 11900116	ALL
31	29400210	BREATHER ASSEMBLY, front, with 11900116	ALL

COOLING SYSTEM, ENGINE, TWIN-COOLED™



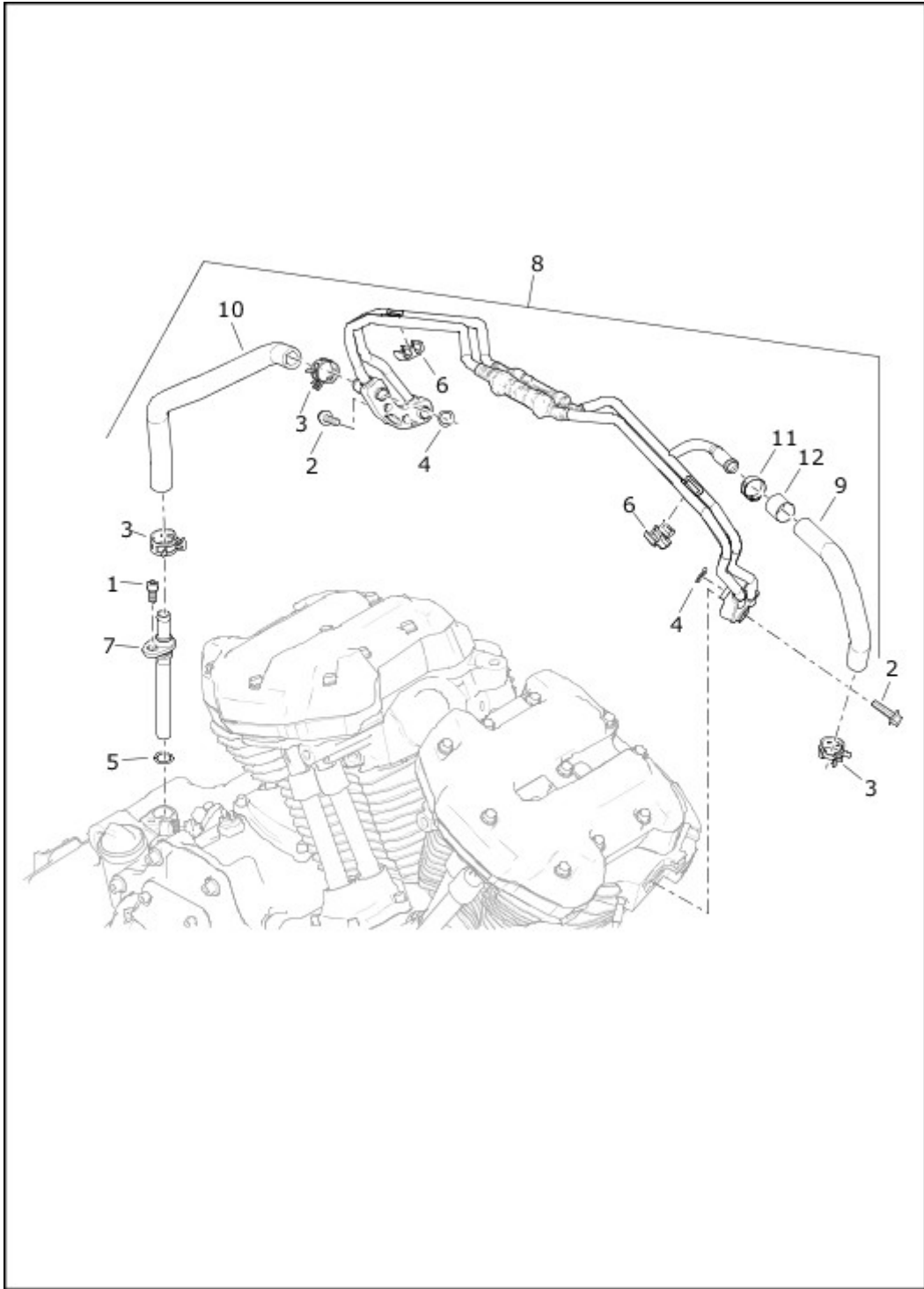
VIEW INTERACTIVE IMAGE

View interactive table

INDEX NO.	PART NO.	DESCRIPTION	MODEL(S)
1	10200446	SCREW (2)	FLHTK, FLHTK SHRINE, FLTRK
2	10800052	CLAMP (2)	FLHTK, FLHTK SHRINE, FLTRK
3	11900090	O-RING, coolant manifold (4)	FLHTK, FLHTK SHRINE, FLTRK
4	26900117	BRACKET, coolant tube (2)	FLHTK, FLHTK SHRINE, FLTRK

INDEX NO.	PART NO.	DESCRIPTION	MODEL(S)
5	26900133	COOLANT LINE ASSEMBLY, water, with 3, 4, 6, 7, 8 and 9	FLHTK, FLHTK SHRINE, FLTRK
6	26900144	HOSE	FLHTK, FLHTK SHRINE, FLTRK
7	26900145	HOSE	FLHTK, FLHTK SHRINE, FLTRK
8	10800109	CLAMP (2)	FLHTK, FLHTK SHRINE, FLTRK
9	10800111	SLEEVE (2)	FLHTK, FLHTK SHRINE, FLTRK
10	10800108	CLAMP (Thailand) (8)	FLHTK, FLTRK

COOLING SYSTEM, ENGINE, AIR-COOLED



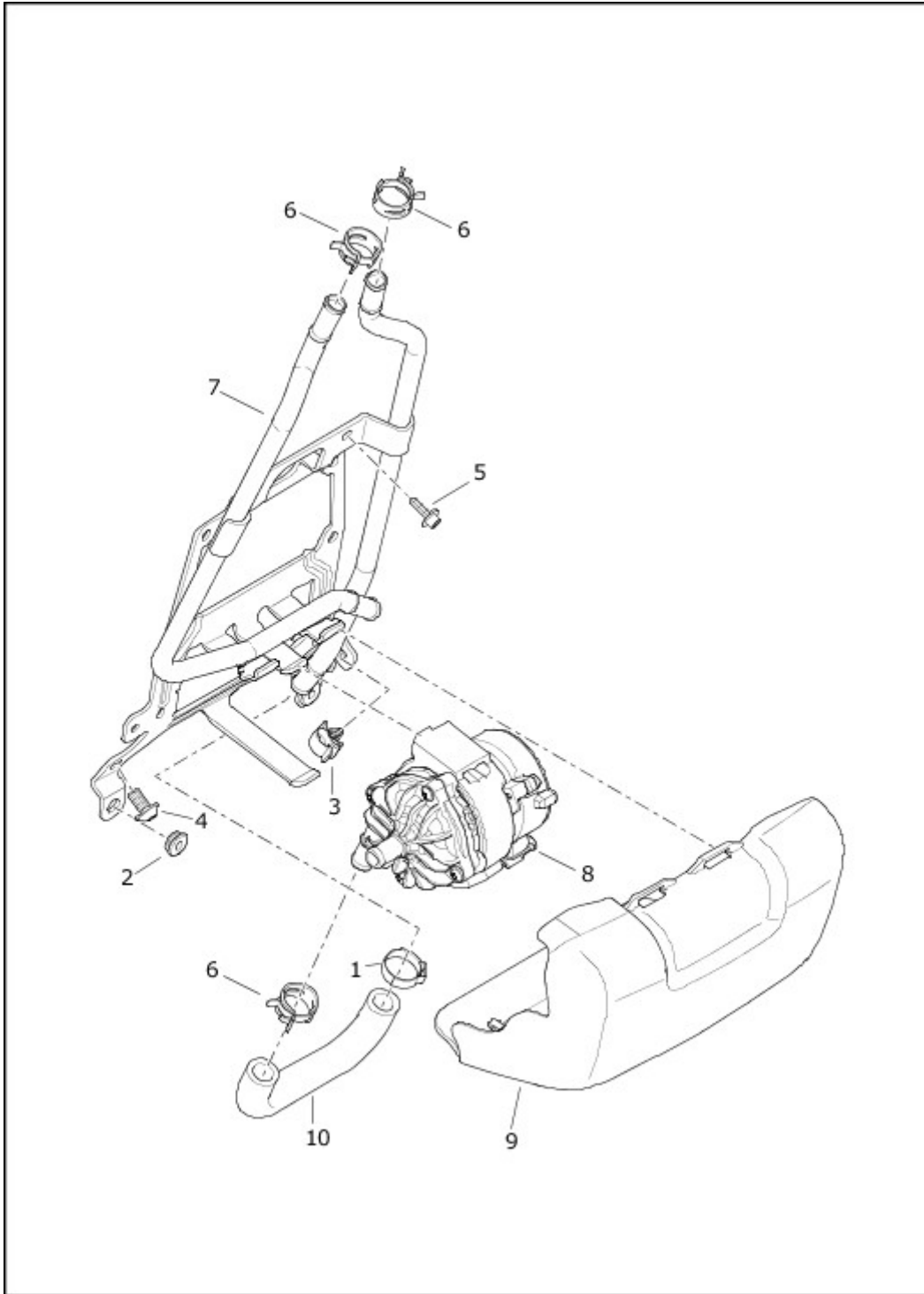
VIEW INTERACTIVE IMAGE

View interactive table

INDEX NO.	PART NO.	DESCRIPTION	MODEL(S)
1	4705	SCREW	FLH, FLHR, FLHRXS, FLHT, FLHX, FLHXS, FLTRX, FLTRXS
2	10200446	SCREW (4)	FLH, FLHR, FLHRXS, FLHT, FLHX, FLHXS, FLTRX, FLTRXS

INDEX NO.	PART NO.	DESCRIPTION	MODEL(S)
3	10800052	CLAMP (3)	FLH, FLHR, FLHRXS, FLHT, FLHX, FLHXS, FLTRX, FLTRXS
3	10800109	CLAMP (Thailand) (3)	FLH, FLHR, FLHRXS, FLHT, FLHX, FLHXS, FLTRX, FLTRXS
4	11900090	O-RING, coolant manifold (4)	FLH, FLHR, FLHRXS, FLHT, FLHX, FLHXS, FLTRX, FLTRXS
5	11900092	O-RING, transmission oil return	FLH, FLHR, FLHRXS, FLHT, FLHX, FLHXS, FLTRX, FLTRXS
6	26900117	BRACKET, coolant tube (2)	FLH, FLHR, FLHRXS, FLHT, FLHX, FLHXS, FLTRX, FLTRXS
7	62700146	FITTING ASSEMBLY, transmission oil return, with 11900092	FLH, FLHR, FLHRXS, FLHT, FLHX, FLHXS, FLTRX, FLTRXS
8	62800028	COOLANT LINE ASSEMBLY, oil, with 3, 4, 6, 9, 10, 11, 12	FLH, FLHR, FLHRXS, FLHT, FLHX, FLHXS, FLTRX, FLTRXS
8	62800259	COOLANT LINE ASSEMBLY, oil, with 4, 6, 9, 10, 11, 13 (Thailand)	FLH, FLHR, FLHRXS, FLHX, FLHXS, FLTRXS
9	26900144	HOSE	FLH, FLHR, FLHRXS, FLHT, FLHX, FLHXS, FLTRX, FLTRXS
10	62700161	HOSE	FLH, FLHR, FLHRXS, FLHT, FLHX, FLHXS, FLTRX, FLTRXS
11	10800109	CLAMP	FLH, FLHR, FLHRXS, FLHT, FLHX, FLHXS, FLTRX, FLTRXS
12	10800111	SLEEVE	FLH, FLHR, FLHRXS, FLHT, FLHX, FLHXS, FLTRX, FLTRXS
13	10800108	CLAMP (Thailand) (8)	FLH, FLHR, FLHRXS, FLHX, FLHXS, FLTRXS

COOLANT DISTRIBUTION - TWIN-COOLED™



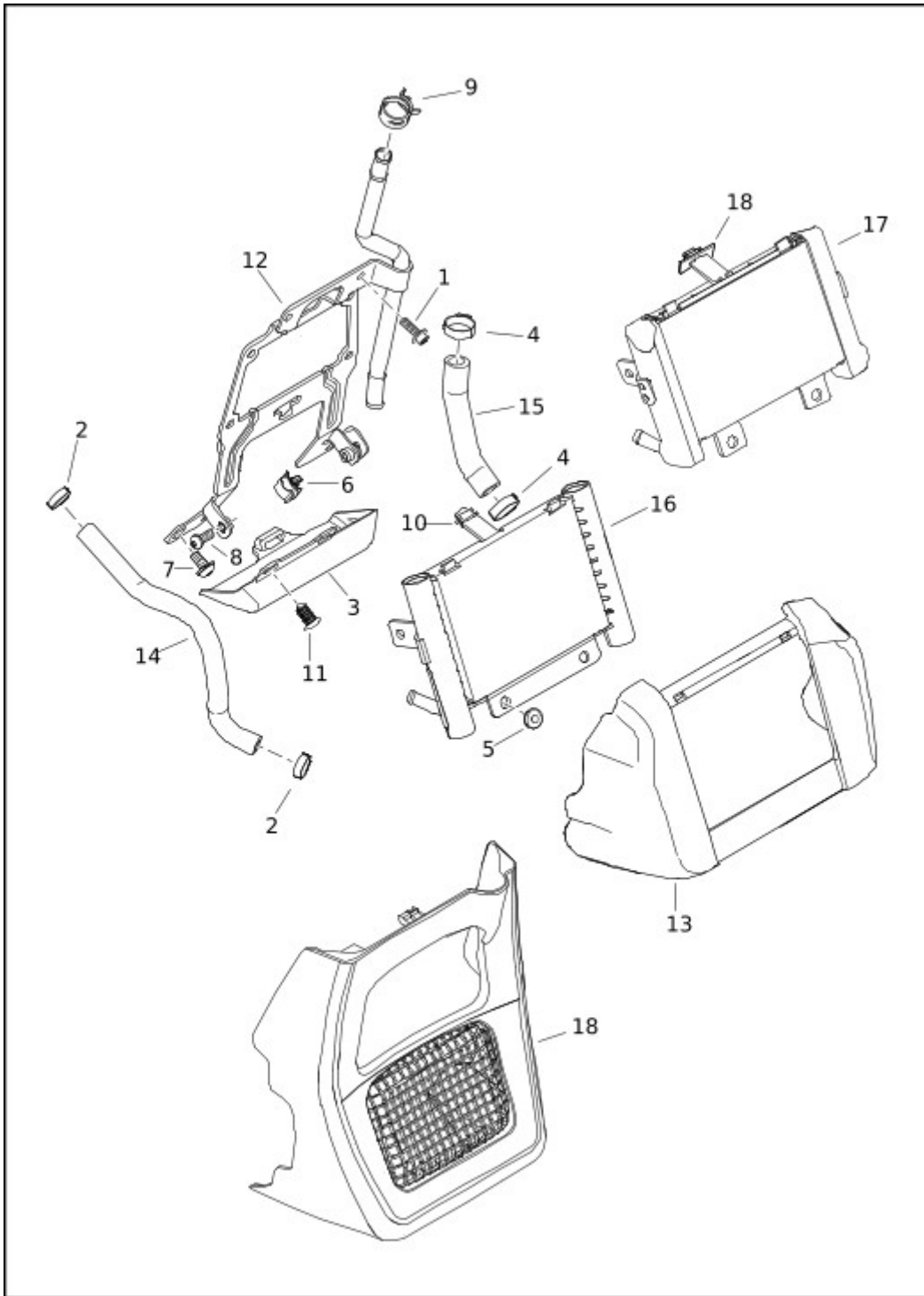
VIEW INTERACTIVE IMAGE

View interactive table

INDEX NO.	PART NO.	DESCRIPTION	MODEL(S)
1	10344	CLAMP	FLHTK, FLHTK SHRINE, FLTRK
2	11692	GROMMET (2)	FLHTK, FLHTK SHRINE, FLTRK
3	70681-09	CLIP, wire retention	FLHTK, FLHTK SHRINE, FLTRK
4	10200414	SCREW (2)	FLHTK, FLHTK SHRINE, FLTRK

INDEX NO.	PART NO.	DESCRIPTION	MODEL(S)
5	882	SCREW (2)	FLHTK, FLHTK SHRINE, FLTRK
6	10800052	CLAMP (3)	FLHTK, FLHTK SHRINE, FLTRK
7	12700091A	BRACKET, voltage regulator	FLHTK, FLHTK SHRINE, FLTRK
8	26600048A	PUMP, coolant	FLHTK, FLHTK SHRINE, FLTRK
9	26800077A	COVER, coolant pump	FLHTK, FLHTK SHRINE, FLTRK
10	26900088	HOSE, outlet, water pump	FLHTK, FLHTK SHRINE, FLTRK

COOLANT DISTRIBUTION - AIR-COOLED



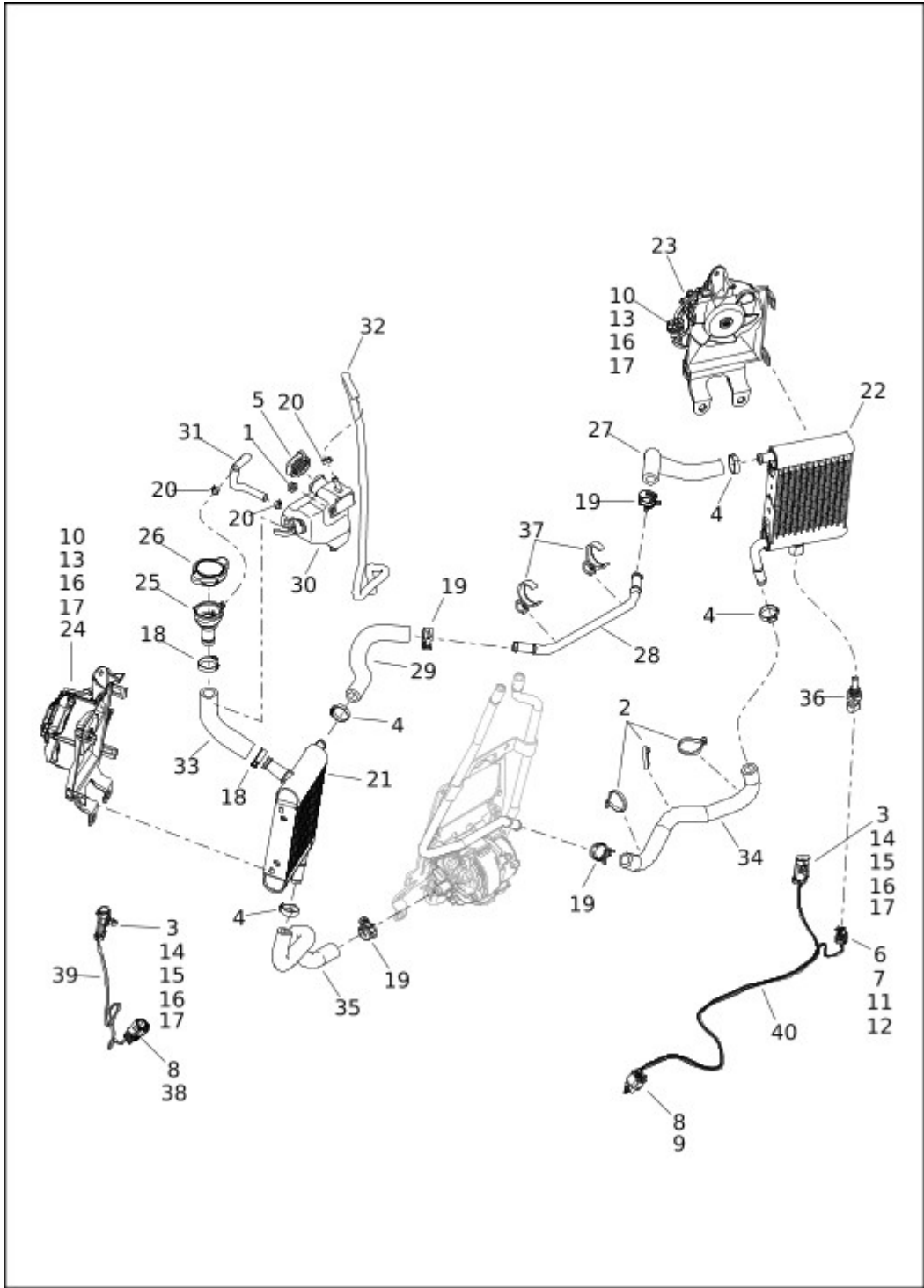
VIEW INTERACTIVE IMAGE

[View interactive table](#)

INDEX NO.	PART NO.	DESCRIPTION	MODEL(S)
1	882	SCREW (2)	FLH, FLHR, FLHRXS, FLHT, FLHX, FLHXS, FLTRX, FLTRXS
2	10080	CLAMP (zinc) (2)	FLH, FLHR, FLHRXS, FLHT, FLHX, FLHXS, FLTRX, FLTRXS

INDEX NO.	PART NO.	DESCRIPTION	MODEL(S)
3	69201286A	COVER, electrical connector, with 12600016	FLH, FLHR, FLHRXS, FLHT, FLHX, FLHXS, FLTRX, FLTRXS
4	10344	CLAMP (black) (2)	FLH, FLHR, FLHRXS, FLHT, FLHX, FLHXS, FLTRX, FLTRXS
5	11692	GROMMET (2)	FLH, FLHR, FLHRXS, FLHT, FLHX, FLHXS, FLTRX, FLTRXS
6	70681-09	CLIP, wire retention	FLH, FLHR, FLHRXS, FLHT, FLHX, FLHXS, FLTRX, FLTRXS
7	10200414	SCREW (2)	FLH, FLHR, FLHRXS, FLHT, FLHX, FLHXS, FLTRX, FLTRXS
8	10200422	SCREW (2)	FLH, FLHR, FLHRXS, FLHT, FLHX, FLHXS, FLTRX, FLTRXS
9	10800052	CLAMP	FLH, FLHR, FLHRXS, FLHT, FLHX, FLHXS, FLTRX, FLTRXS
10	12100113	GROMMET	FLH, FLHR, FLHRXS, FLHT, FLHX, FLHXS, FLTRX, FLTRXS
11	12600016	CLIP, push-in (2)	FLH, FLHR, FLHRXS, FLHT, FLHX, FLHXS, FLTRX, FLTRXS
12	12700090	BRACKET, voltage regulator	FLH, FLHR, FLHRXS, FLHT, FLHX, FLHXS, FLTRX, FLTRXS
13	26800092	COVER, oil cooler	FLH, FLHR, FLHRXS, FLHT, FLHX, FLHXS, FLTRX, FLTRXS
14	62700143	HOSE, inlet, oil cooler	FLH, FLHR, FLHRXS, FLHT, FLHX, FLHXS, FLTRX, FLTRXS
15	62700144	HOSE, outlet, oil cooler	FLH, FLHR, FLHRXS, FLHT, FLHX, FLHXS, FLTRX, FLTRXS
16	62700196	OIL COOLER, with 12100113 (Domestic, Australia, Brazil, England, HDI, HD2, Japan, Asia-Pacific)	FLH, FLHR, FLHRXS, FLHT, FLHX, FLHXS, FLTRX, FLTRXS
17	62700227	OIL COOLER, with 12100113 (HD4, ASEAN, China)	FLH, FLHR, FLHRXS, FLHT, FLHX, FLHXS, FLTRX
18	57200269	COVER, oil cooler	FLHXS

RADIATOR, COOLANT HOSES AND BOTTLE - TWIN-COOLED™



VIEW INTERACTIVE IMAGE

[View interactive table](#)

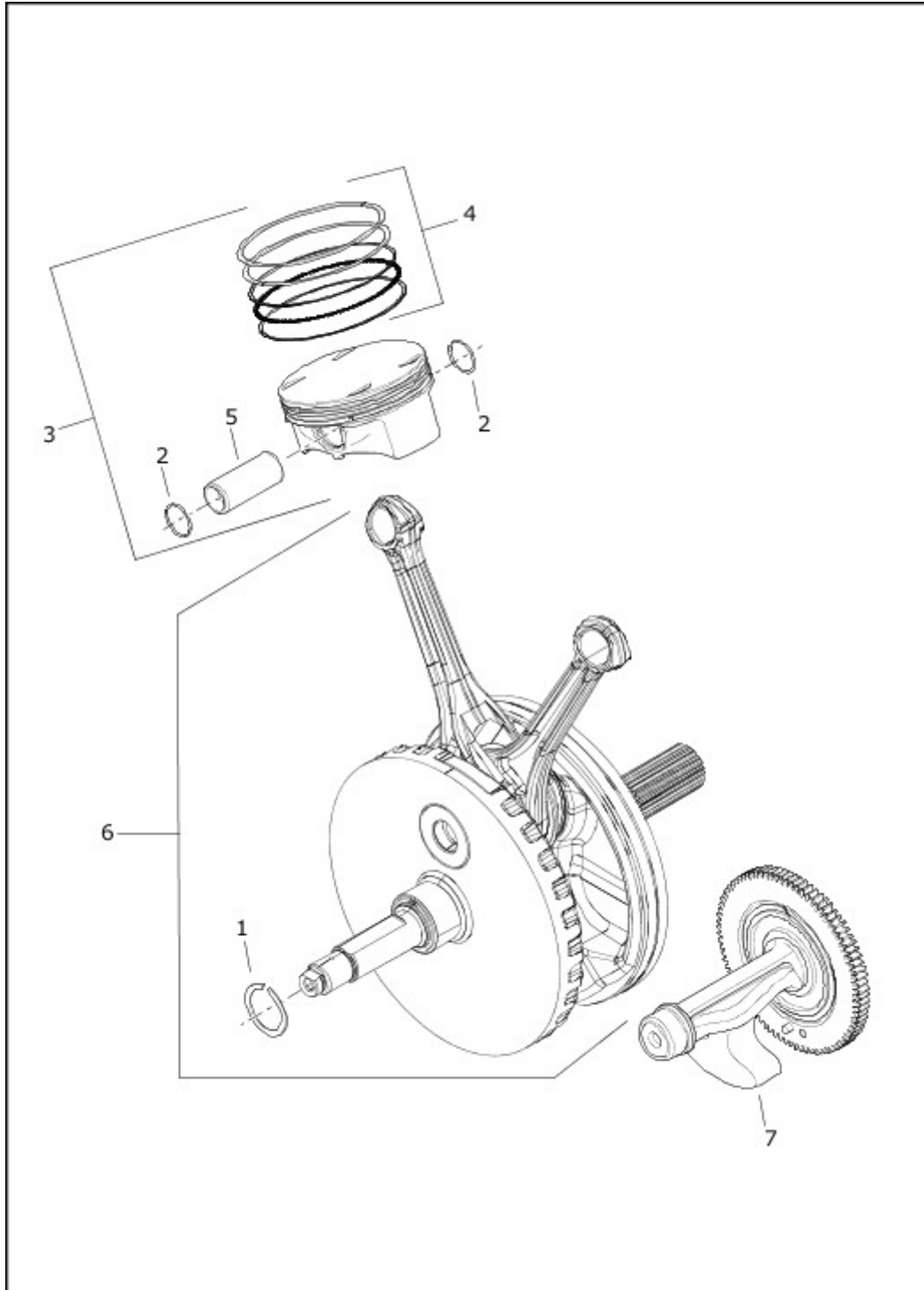
INDEX NO.	PART NO.	DESCRIPTION	MODEL(S)
1	7716	LOCKNUT	FLHTK, FLHTK SHRINE, FLTRK
2	10006	CABLE STRAP (6)	FLHTK, FLHTK SHRINE, FLTRK

INDEX NO.	PART NO.	DESCRIPTION	MODEL(S)
3	10147	CLIP, connector (2)	FLHTK, FLHTK SHRINE, FLTRK
4	10344	CLAMP (4)	FLHTK, FLHTK SHRINE, FLTRK
5	26780-05A	CAP ASSEMBLY, coolant bottle	FLHTK, FLHTK SHRINE, FLTRK
6	72063-06	HOUSING, two-way socket (black)	FLHTK, FLHTK SHRINE, FLTRK
7	72111-06	SECONDARY LOCK, two-way socket	FLHTK, FLHTK SHRINE, FLTRK
8	72168-07	TERMINAL, socket, 18-20 AWG (6)	FLHTK, FLHTK SHRINE, FLTRK
9	72177-07BK	HOUSING, four-way socket (black)	FLHTK, FLHTK SHRINE, FLTRK
10	72213-94	TERMINAL, socket, 16-20 AWG (4)	FLHTK, FLHTK SHRINE, FLTRK
11	72484-08	TERMINAL, socket, 20 AWG (2)	FLHTK, FLHTK SHRINE, FLTRK
12	72486-08	WIRE SEAL, 20 AWG (green) (2)	FLHTK, FLHTK SHRINE, FLTRK
13	72606-08	HOUSING, two-way socket (black) (2)	FLHTK, FLHTK SHRINE, FLTRK
14	72607-08	HOUSING, two-way pin (black) (2)	FLHTK, FLHTK SHRINE, FLTRK
15	72608-08	TERMINAL, pin, 16-20 AWG (4)	FLHTK, FLHTK SHRINE, FLTRK
16	72609-08	SECONDARY LOCK, two-way (4)	FLHTK, FLHTK SHRINE, FLTRK
17	72610-08	WIRE SEAL, 18-20 AWG (white) (8)	FLHTK, FLHTK SHRINE, FLTRK
18	10800023	CLAMP (2)	FLHTK, FLHTK SHRINE, FLTRK
19	10800052	CLAMP (4)	FLHTK, FLHTK SHRINE, FLTRK
20	10800078	CLAMP (3)	FLHTK, FLHTK SHRINE, FLTRK
21	26800005	CORE, radiator (right)	FLHTK, FLHTK SHRINE, FLTRK

INDEX NO.	PART NO.	DESCRIPTION	MODEL(S)
22	26800006	CORE, radiator (left)	FLHTK, FLHTK SHRINE, FLTRK
23	26800007A	FAN ASSEMBLY, with 72213-94, 72606-08, 72609-08 and 72610-08 (left)	FLHTK, FLHTK SHRINE, FLTRK
24	26800019A	FAN ASSEMBLY, with 72213-94, 72606-08, 72609-08 and 72610-08 (right)	FLHTK, FLHTK SHRINE, FLTRK
25	26800020A	FILL NECK, coolant	FLHTK, FLHTK SHRINE, FLTRK
26	26800021	CAP, pressure	FLHTK, FLHTK SHRINE, FLTRK
26	26800194	CAP, pressure (china)	FLHTK, FLHTK SHRINE, FLTRK
27	26900008	HOSE, coolant, left cross tube	FLHTK, FLHTK SHRINE, FLTRK
28	26900009	LINE, coolant, right to left	FLHTK, FLHTK SHRINE, FLTRK
29	26900010	HOSE, coolant, right cross tube	FLHTK, FLHTK SHRINE, FLTRK
30	26900014	BOTTLE ASSEMBLY, coolant, with 26780-05A	FLHTK, FLHTK SHRINE, FLTRK
31	26900016	HOSE, coolant vent	FLHTK, FLHTK SHRINE, FLTRK
32	26900017	HOSE, coolant overflow	FLHTK, FLHTK SHRINE, FLTRK
33	26900018	HOSE, coolant fill	FLHTK, FLHTK SHRINE, FLTRK
34	26900114	HOSE, radiator to engine outlet	FLHTK, FLHTK SHRINE, FLTRK
35	26900115	HOSE, radiator to pump inlet	FLHTK, FLHTK SHRINE, FLTRK
36	32700066	SENSOR, coolant temperature	FLHTK, FLHTK SHRINE, FLTRK
37	62800004	CLIP, coolant line to frame (2)	FLHTK, FLHTK SHRINE, FLTRK
38	69200271	HOUSING, two-way socket (black)	FLHTK, FLHTK SHRINE, FLTRK
39	69200311	WIRE HARNESS, twin cooling jumper, with 10147, 72168-07, 72607-08, 72608-08, 72609-08, 72610-08 and 69200271 (right)	FLHTK, FLHTK SHRINE, FLTRK

INDEX NO.	PART NO.	DESCRIPTION	MODEL(S)
40	69201548	WIRE HARNESS, twin cooling jumper, with 10147, 72063-06, 72111-06, 72168-07, 72177-07BK, 72484-08, 72486-08, 72607-08, 72608-08, 72609-08 and 72610-08 (left)	FLHTK, FLHTK SHRINE, FLTRK

PISTONS AND FLYWHEEL ASSEMBLY - Milwaukee-eight™ 107

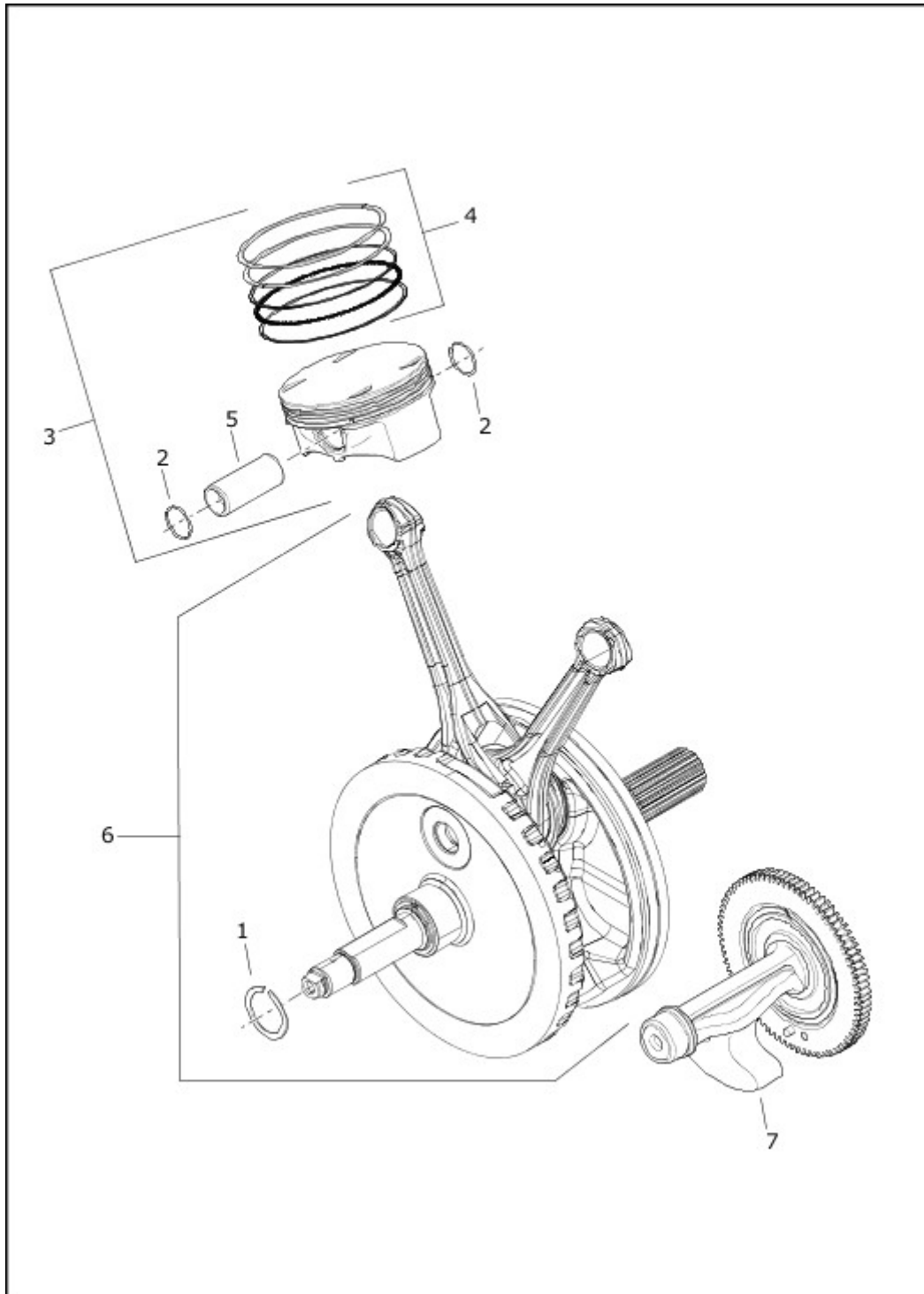


[VIEW INTERACTIVE IMAGE](#)

[View interactive table](#)

INDEX NO.	PART NO.	DESCRIPTION	MODEL(S)
1	11177A	RETAINING RING	FLHR, FLHT, FLHX, FLTRX
2	22097-99	LOCK RING, piston pin (4)	FLHR, FLHT, FLHX, FLTRX
3	21900049	PISTON AND RINGS ASSEMBLY, with 22097-99, 22000060 and 22100006 (3.937 in) (2)	FLHR, FLHT, FLHX, FLTRX
4	22000060	PISTON RING SET (3.937 in) (2)	FLHR, FLHT, FLHX, FLTRX
5	22100006	PISTON PIN (2)	FLHR, FLHT, FLHX, FLTRX
6	24100057A	FLYWHEEL ASSEMBLY KIT, with 11177A	FLHR, FLHT, FLHX, FLTRX
7	35200057	BALANCER ASSEMBLY	FLHR, FLHT, FLHX, FLTRX

PISTONS AND FLYWHEEL ASSEMBLY - Milwaukee-eight™ 114



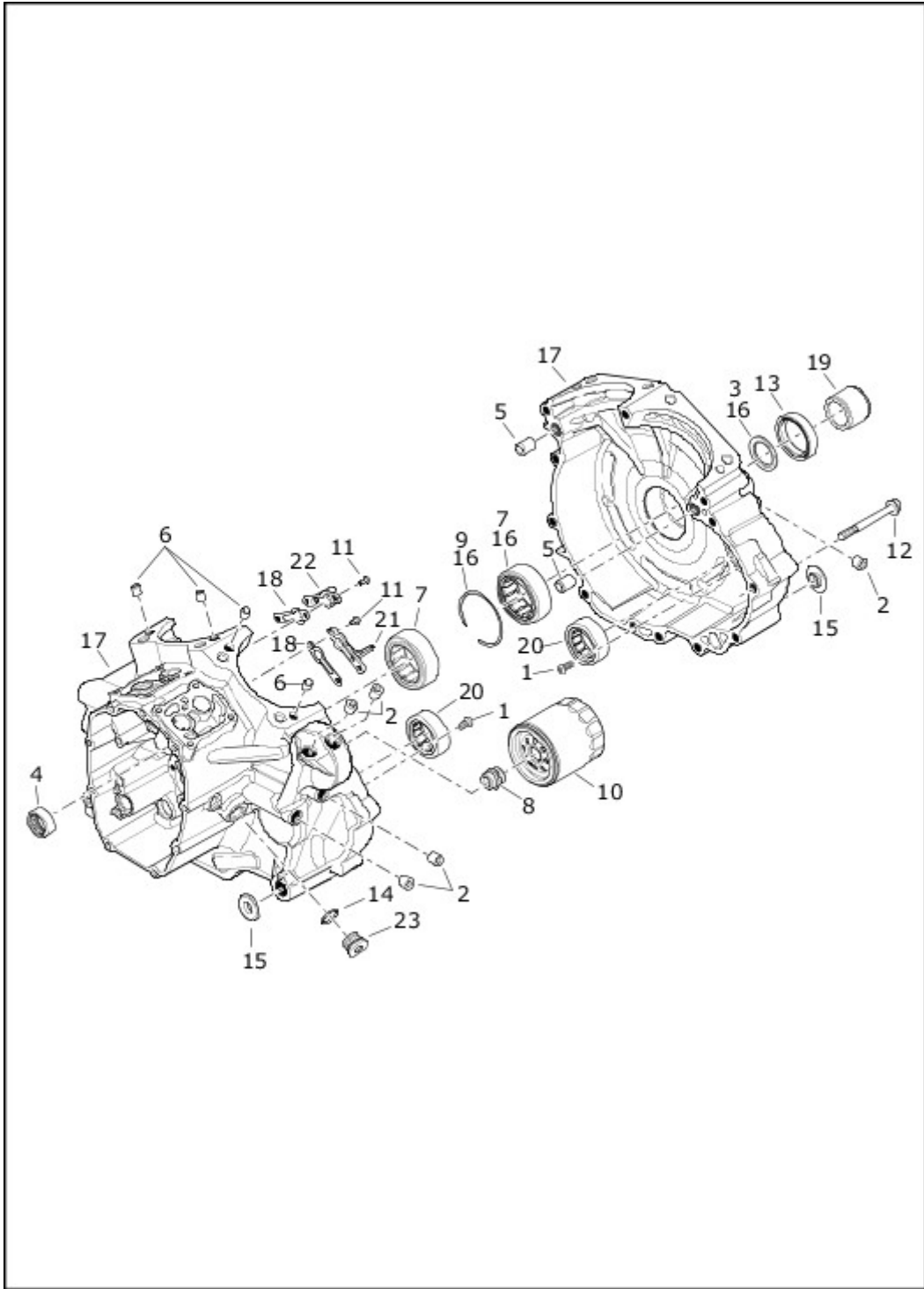
VIEW INTERACTIVE IMAGE

[View interactive table](#)

INDEX NO.	PART NO.	DESCRIPTION	MODEL(S)
1	11177A	RETAINING RING	FLH, FLHRXS, FLHTK, FLHTK SHRINE, FLHXS, FLTRK, FLTRXS
2	22097-99	LOCK RING, piston pin (4)	FLH, FLHRXS, FLHTK, FLHTK SHRINE, FLHXS, FLTRK, FLTRXS

INDEX NO.	PART NO.	DESCRIPTION	MODEL(S)
3	21900048	PISTON AND RINGS ASSEMBLY, with 22097-99, 22000061 and 22100006 (4.016 in) (2)	FLH, FLHRXS, FLHTK, FLHTK SHRINE, FLHXS, FLTRK, FLTRXS
4	22000061	PISTON RING SET (4.016 in) (2)	FLH, FLHRXS, FLHTK, FLHTK SHRINE, FLHXS, FLTRK, FLTRXS
5	22100006	PISTON PIN (2)	FLH, FLHRXS, FLHTK, FLHTK SHRINE, FLHXS, FLTRK, FLTRXS
6	24100045A	FLYWHEEL ASSEMBLY KIT, with 11177A	FLH, FLHRXS, FLHTK, FLHTK SHRINE, FLHXS, FLTRK, FLTRXS
7	35200057	BALANCER ASSEMBLY	FLH, FLHRXS, FLHTK, FLHTK SHRINE, FLHXS, FLTRK, FLTRXS
7	35200141	BALANCER ASSEMBLY (Thailand)	FLH, FLHRXS, FLHTK, FLHTK SHRINE, FLHXS, FLTRK, FLTRXS

CRANKCASE



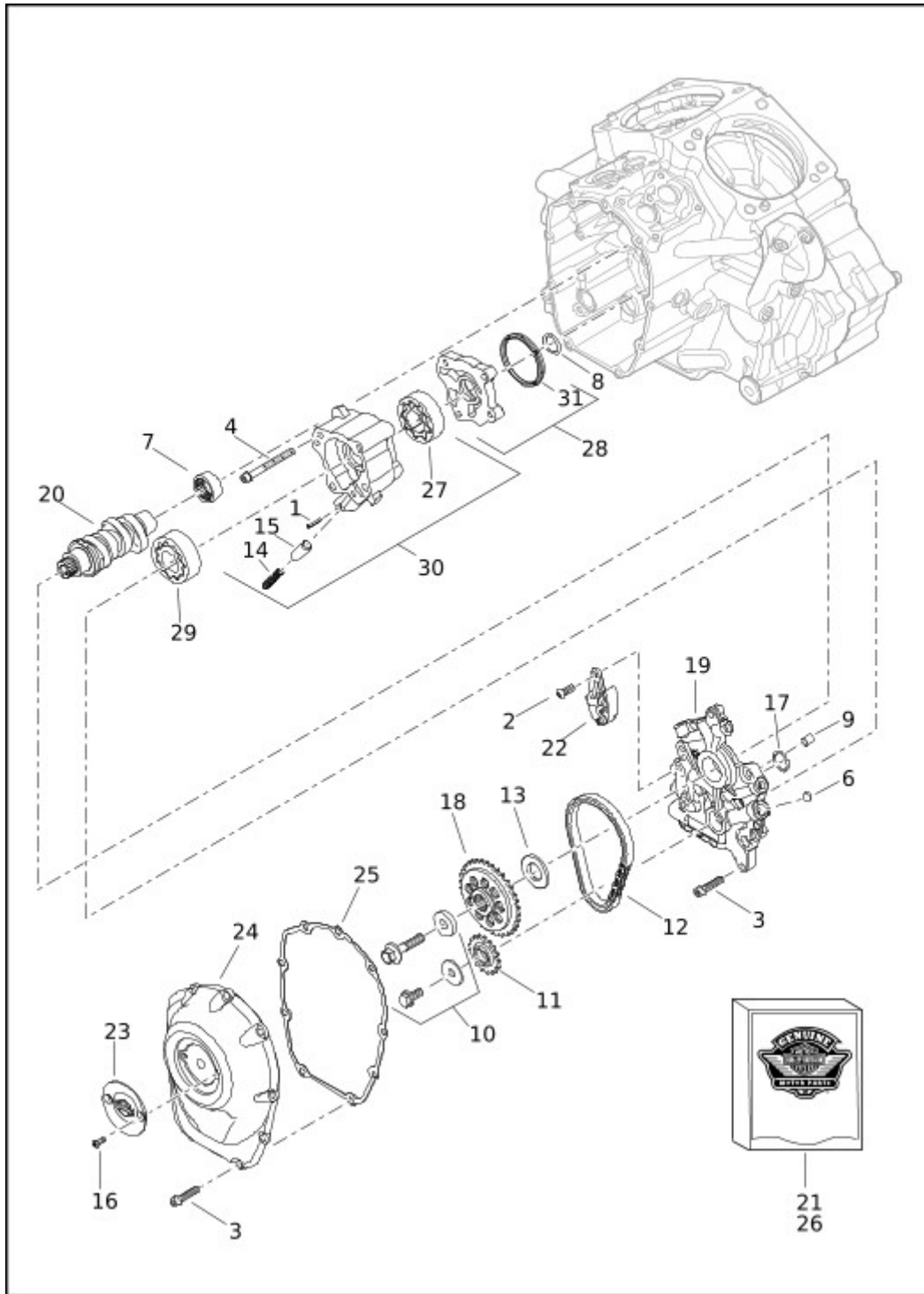
VIEW INTERACTIVE IMAGE

[View interactive table](#)

INDEX NO.	PART NO.	DESCRIPTION	MODEL(S)
1	703B	SCREW (2)	ALL
2	765	PLUG (5)	ALL
3	8972	WASHER	ALL

INDEX NO.	PART NO.	DESCRIPTION	MODEL(S)
4	9215	NEEDLE BEARING, left side, camshaft	ALL
5	16574-99A	DOWEL PIN (2)	ALL
6	16589-99A	DOWEL PIN (4)	ALL
7	24605-07	BEARING, main (2)	ALL
8	26352-95A	ADAPTER	ALL
9	35114-02	RING, retaining, internal	ALL
10	62700296	OIL FILTER (black)	ALL
11	68042-99	SCREW (4)	ALL
12	10200343	SCREW (12)	ALL
13	11000134	SEAL, oil	ALL
14	11900010	O-RING (Twin-Cooled)	FLHTK, FLHTK SHRINE, FLTRK
15	12400099	SPACER, front mount (2)	ALL
16	24100080	BEARING KIT, with 8972, 24605-07, 35114-02 and inner race	ALL
17	24400120	CRANKCASE SET, with 1, 2, 4, 5, 6, 7, 9, 11, 12, 15, 18, 20, 21 and 22 (black)	ALL
18	25700433	GASKET, piston jet (2)	ALL
19	29900041	SPACER, sprocket shaft	ALL
20	35200021	BEARING, balancer (2)	ALL
21	62700089	PISTON JET ASSEMBLY, front, with 25700433	ALL
22	62700117	PISTON JET ASSEMBLY, rear, with 25700433	ALL
23	62800013	PLUG, with 11900010 (Twin-Cooled)	FLHTK, FLHTK SHRINE, FLTRK

CAMSHAFTS AND CAMSHAFT COVER (1 OF 2)



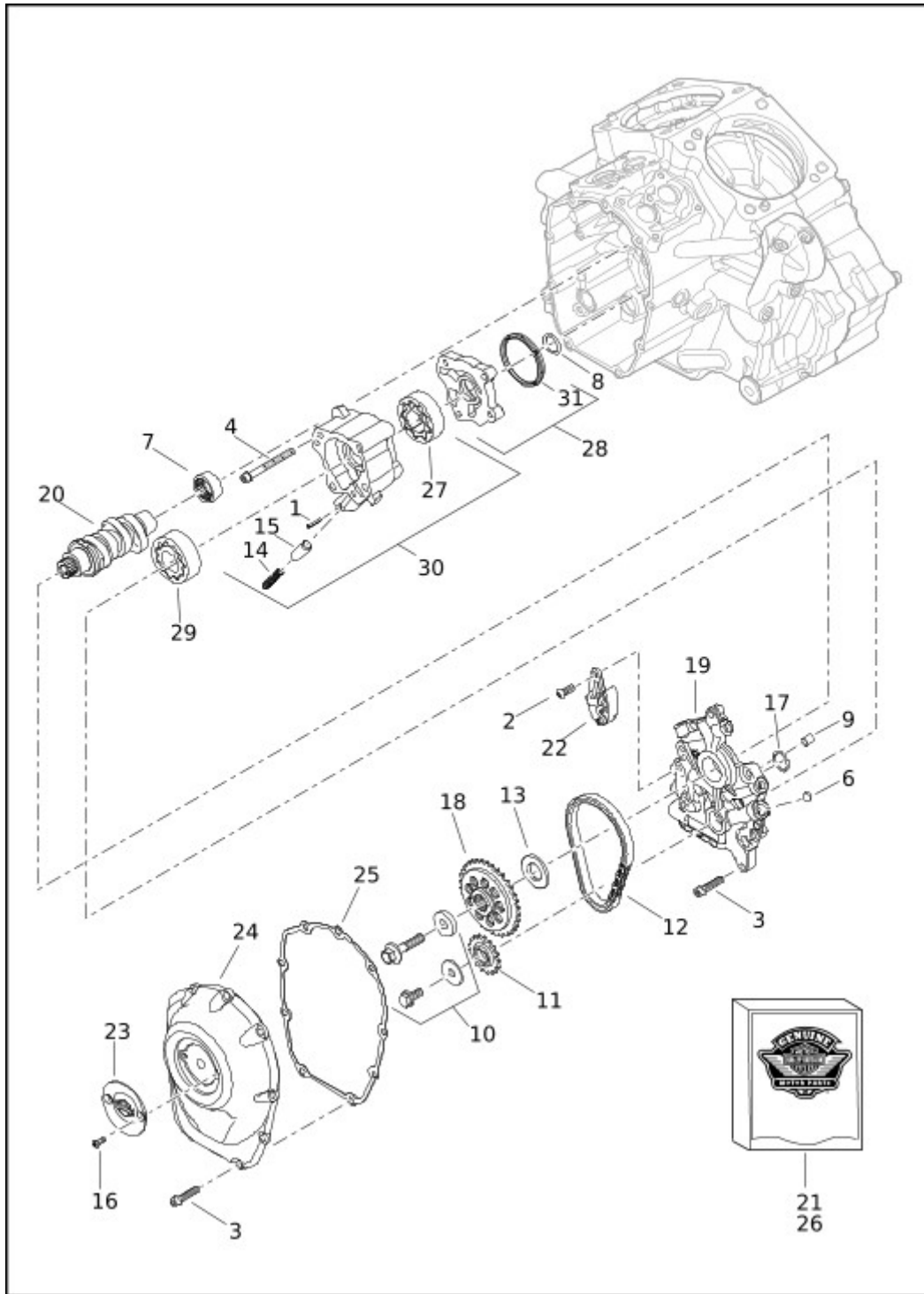
VIEW INTERACTIVE IMAGE

[View interactive table](#)

INDEX NO.	PART NO.	DESCRIPTION	MODEL(S)
1	601	ROLL PIN	ALL
2	942	SCREW (2)	ALL
3	4740A	SCREW (15)	ALL

INDEX NO.	PART NO.	DESCRIPTION	MODEL(S)
4	4822A	SCREW (4)	ALL
6	8873	BALL (7)	ALL
7	9215	NEEDLE BEARING, camshaft	ALL
8	11293	O-RING	ALL
9	16589-99A	DOWEL PIN	ALL
10	25566-06	CAMSHAFT DRIVE SPROCKET RETENTION KIT, with screws and washers	ALL
11	25673-06	SPROCKET, camshaft drive on crankshaft, 17 T	ALL
12	25675-06	CHAIN, primary camshaft drive	ALL
13	25729-06	SPACER, camshaft drive sprocket alignment 0.100 in thick (use as required)	ALL
13	25731-06	SPACER, camshaft drive sprocket alignment 0.110 in thick (use as required)	ALL
13	25734-06	SPACER, camshaft drive sprocket alignment 0.120 in thick (use as required)	ALL
13	25736-06	SPACER, camshaft drive sprocket alignment 0.130 in thick (use as required)	ALL
13	25737-06	SPACER, camshaft drive sprocket alignment 0.140 in thick (use as required)	ALL
13	25738-06	SPACER, camshaft drive sprocket alignment 0.150 in thick (use as required)	ALL
14	26210-99	SPRING, relief valve	ALL
15	26400-82B	RELIEF VALVE, oil pump bypass	ALL
16	68120-00	SCREW (2)	ALL
17	11900103	O-RING	ALL
18	25400103	SPROCKET, camshaft drive, 34 teeth	ALL
19	25400133	CAMSHAFT SUPPORT PLATE, with 8873 and 16589-99A	ALL
20	25400190	CAMSHAFT	ALL
21	25400257	CAMSHAFT CHAIN AND FASTENER KIT, with 25566-06, 25673-06, 25675-06 and 25400103	ALL
22	25500013	CHAIN TENSIONER, camshaft drive chain	ALL

CAMSHAFTS AND CAMSHAFT COVER (2 OF 2)



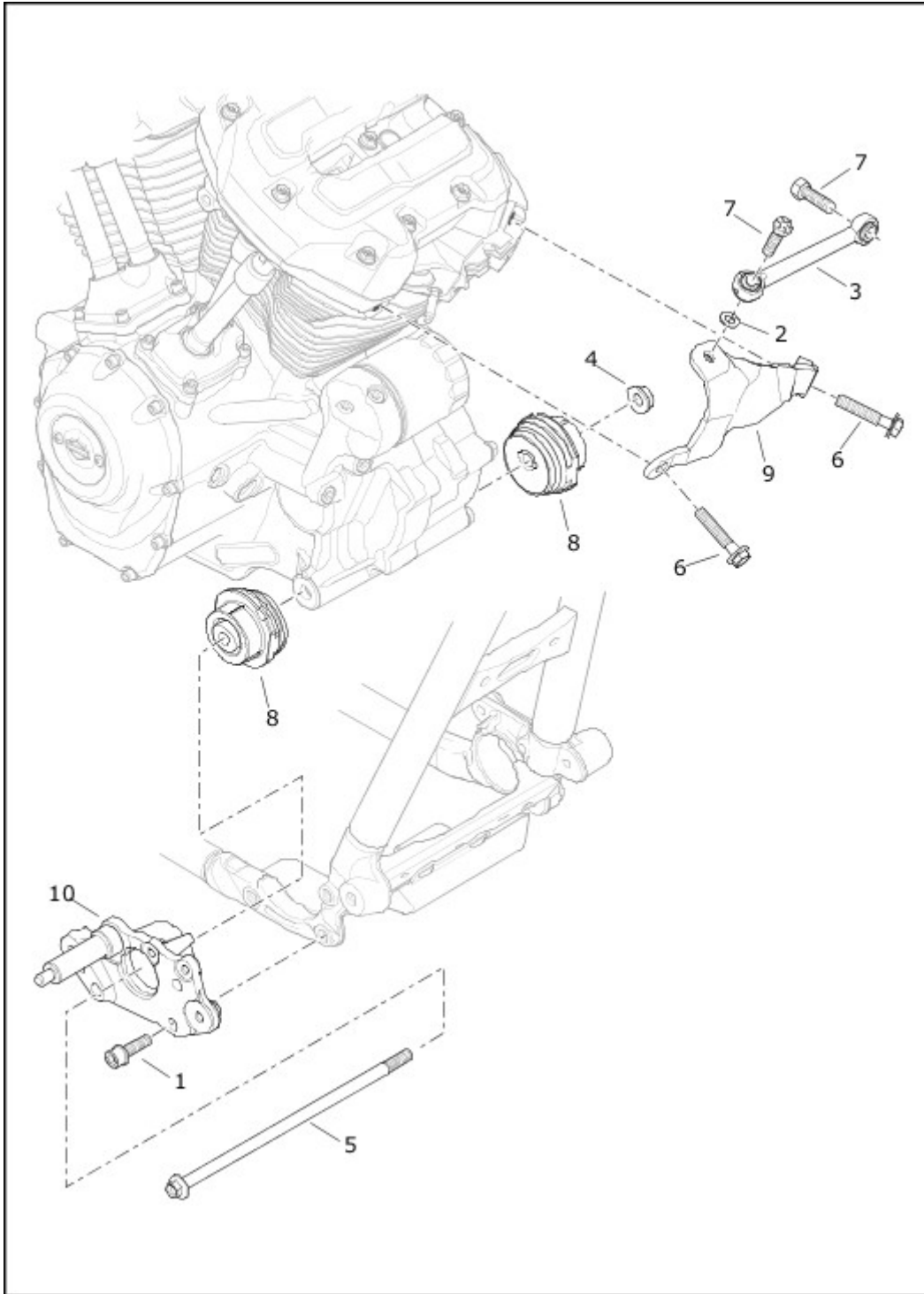
VIEW INTERACTIVE IMAGE

[View interactive table](#)

INDEX NO.	PART NO.	DESCRIPTION	MODEL(S)
23	25600078	COVER, timer cover (black)	FLH, FLHR, FLHRXS, FLHT, FLHX, FLHXS, FLTRX, FLTRXS
23	25600110	COVER, timer cover	FLHTK, FLHTK SHRINE, FLTRK
23	25600146	COVER, timer cover (dark gray)	FLHTK, FLTRK

INDEX NO.	PART NO.	DESCRIPTION	MODEL(S)
24	25700367	CAMSHAFT COVER (chrome)	FLH, FLHR, FLHTK, FLHTK SHRINE, FLHX, FLHXS, FLTRK, FLTRX
24	25700467	CAMSHAFT COVER (gloss black)	FLHRXS, FLHTK, FLHXS, FLTRK, FLTRXS
24	25700698	CAMSHAFT COVER (polished)	FLHT
25	25700370	GASKET, camshaft cover	ALL
26	25700731	GASKET KIT, camshaft service	ALL
27	62400233	GEROTOR ASSEMBLY	ALL
28	62400245	COVER, oil pump assembly, with 62400205	ALL
29	62400055	GEROTOR ASSEMBLY, feed (Twin-Cooled)	FLHTK, FLHTK SHRINE, FLTRK
29	62400126	GEROTOR ASSEMBLY, feed (Air-Cooled)	FLH, FLHR, FLHRXS, FLHT, FLHX, FLHXS, FLTRX, FLTRXS
30	62400238	OIL PUMP ASSEMBLY, with 601, 8873, 26210-99, 26400-82B, 62400233 and body (Air-Cooled) Also order 62400126	FLH, FLHR, FLHRXS, FLHT, FLHX, FLHXS, FLTRX, FLTRXS
30	62400242	OIL PUMP ASSEMBLY, with 601, 8873, 26210-99, 26400-82B, 62400233 and body (Twin-Cooled) Also order 62400055	FLHTK, FLHTK SHRINE, FLTRK
31	62400205	OIL SEAL	ALL

ENGINE MOUNTS AND STABILIZER LINK



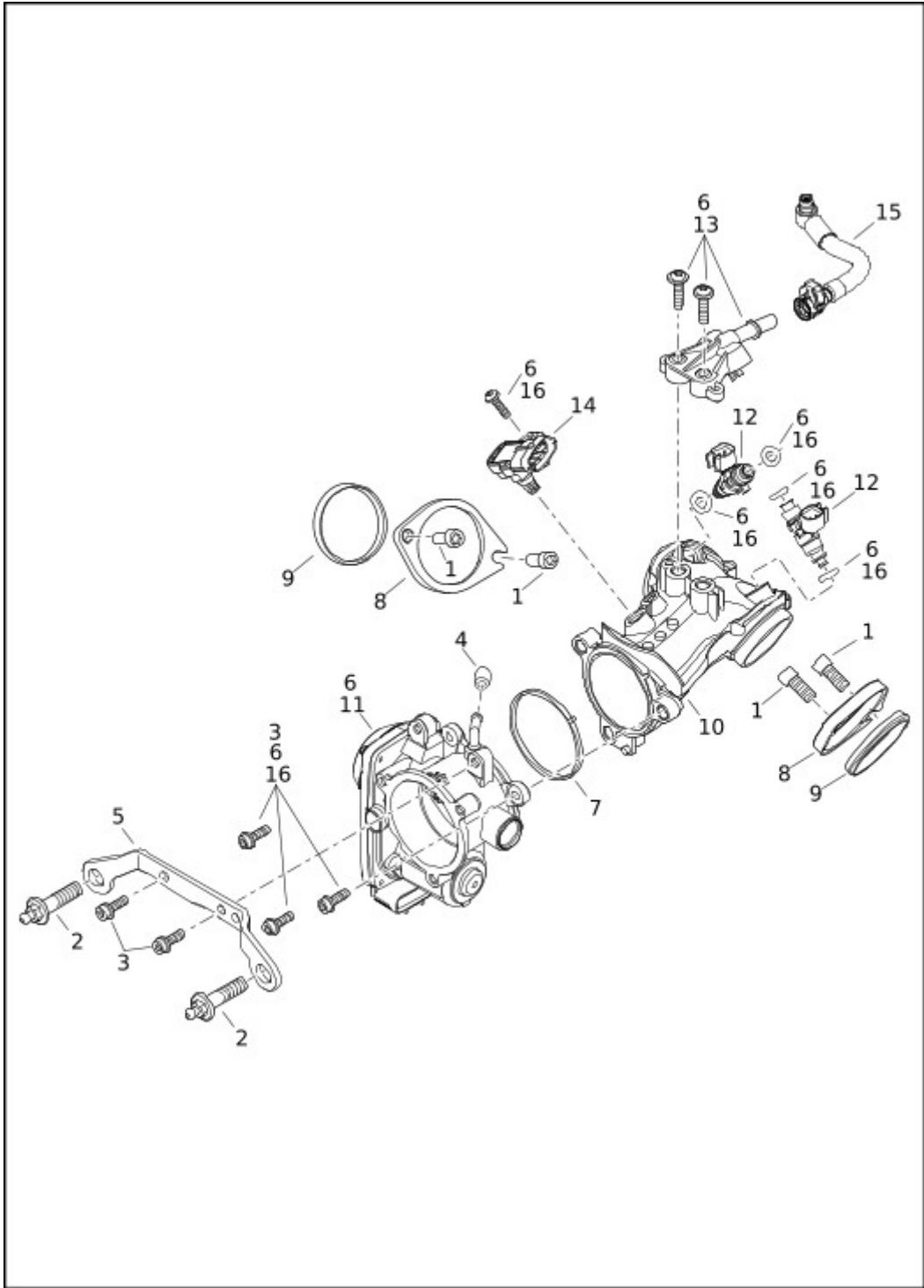
VIEW INTERACTIVE IMAGE

View interactive table

INDEX NO.	PART NO.	DESCRIPTION	MODEL(S)
1	4688	SCREW (3)	ALL
2	6127	WASHER	ALL
3	16219-09	STABLIZER LINK	ALL
4	1010062	LOCKNUT	ALL

INDEX NO.	PART NO.	DESCRIPTION	MODEL(S)
5	10200393	SCREW	ALL
6	10200408A	SCREW (2)	ALL
7	10200463	SCREW (2)	ALL
8	16300005	ENGINE MOUNT, front (2)	ALL
9	16400041	BRACKET, tie link	ALL
10	16400042	END CAP, front mount	ALL

INDUCTION MODULE, FUEL



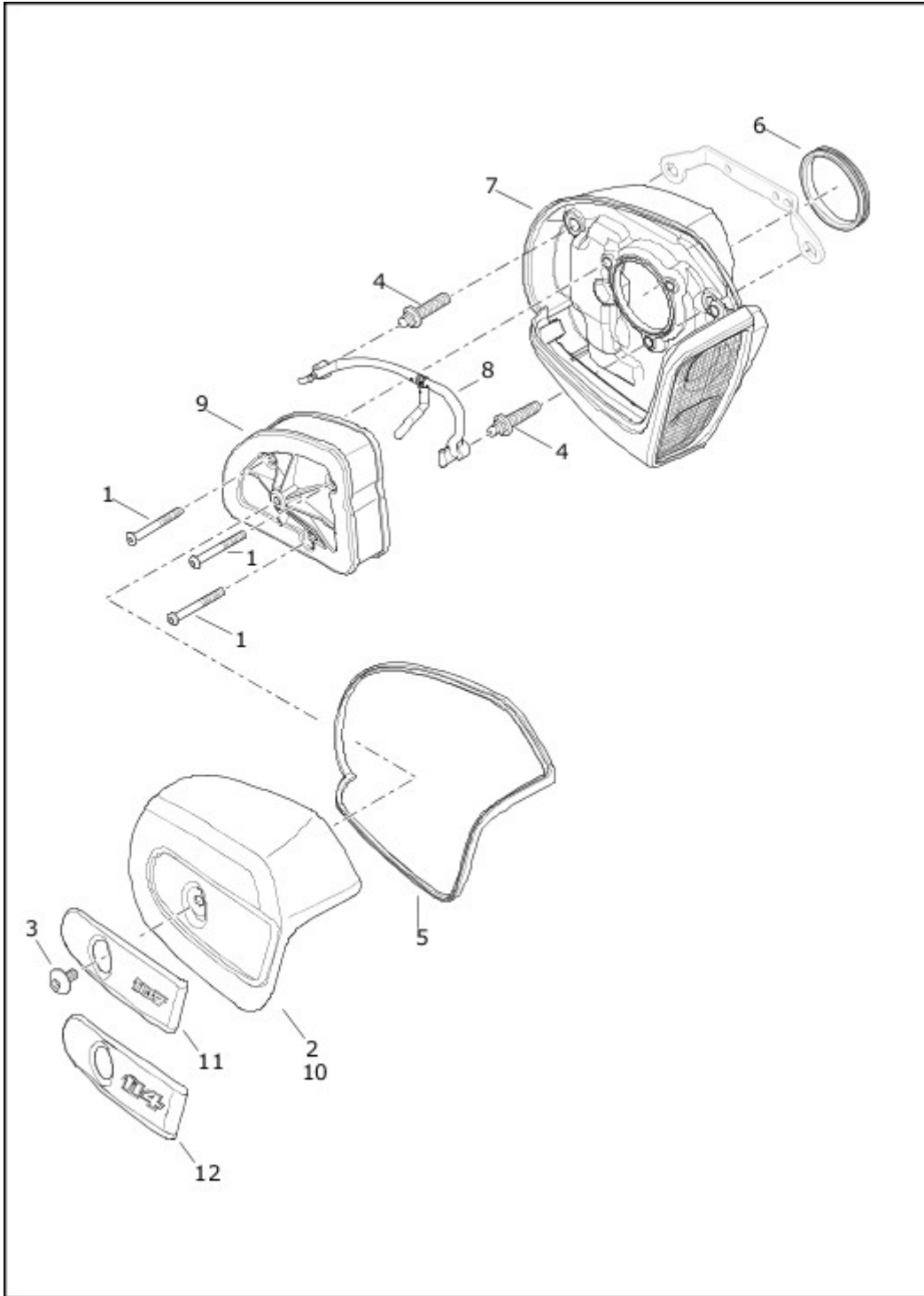
VIEW INTERACTIVE IMAGE

[View interactive table](#)

INDEX NO.	PART NO.	DESCRIPTION	MODEL(S)
1	3275	SCREW (4)	ALL
2	29465-08B	BREATHER BOLT (2)	ALL
3	10200373	SCREW (5)	ALL

INDEX NO.	PART NO.	DESCRIPTION	MODEL(S)
4	12100069	PLUG, purge tube cap	ALL
5	16400049	BRACKET, induction module	ALL
6	27200025	MANIFOLD THROTTLE BODY INTAKE KIT, with 27300122, 27400019 and 91800058	ALL
7	27300082	GASKET, throttle body to manifold	ALL
8	27300086	FLANGE, intake (2)	ALL
9	27300087	SEAL, intake (2)	ALL
10	27300121	INTAKE MANIFOLD ASSEMBLY, with 27300082	ALL
11	27300122	THROTTLE BODY ASSEMBLY, with 12100069	ALL
12	27400015	FUEL INJECTOR ASSEMBLY, with O-rings (2)	ALL
13	27400019	FUEL RAIL KIT	ALL
14	32700065	SENSOR, temperature manifold absolute pressure (TMAP), with O-ring	ALL
15	61200022A	FUEL LINE	ALL
16	91800058	HARDWARE KIT, induction module	ALL

AIR CLEANER - FLHR, FLHT, FLHTK, FLHX, FLTRK, FLTRX



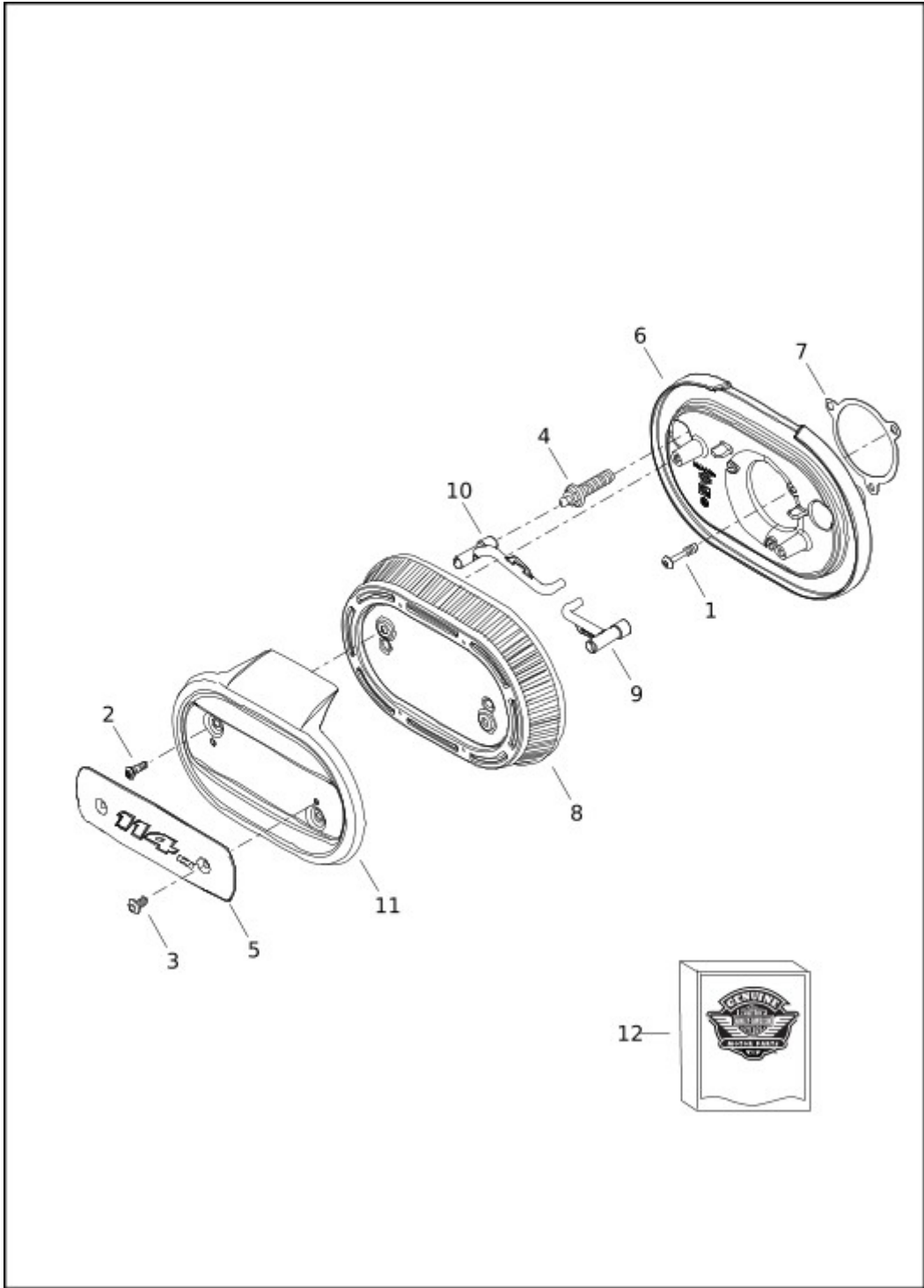
VIEW INTERACTIVE IMAGE

[View interactive table](#)

INDEX NO.	PART NO.	DESCRIPTION	MODEL(S)
1	946	SCREW (3)	FLHR, FLHT, FLHTK, FLHTK SHRINE, FLHX, FLTRK, FLTRX
2	29108-08	LABEL, air cleaner warning (Domestic, California)	FLHR, FLHT, FLHTK, FLHTK SHRINE, FLHX, FLTRK, FLTRX

INDEX NO.	PART NO.	DESCRIPTION	MODEL(S)
2	14001131	LABEL, air cleaner warning (Brazil)	FLHTK, FLTRK
2	14001799	LABEL, air cleaner warning (China)	FLHR, FLHTK, FLHX, FLTRX
3	29269-83A	SCREW	FLHR, FLHT, FLHTK, FLHTK SHRINE, FLHX, FLTRK, FLTRX
4	29465-08B	BREATHER BOLT (2)	FLHR, FLHT, FLHTK, FLHTK SHRINE, FLHX, FLTRK, FLTRX
5	29000106	SEAL, air cleaner cover	FLHR, FLHT, FLHTK, FLHTK SHRINE, FLHX, FLTRK, FLTRX
6	29000108	GASKET, induction module to backplate	FLHR, FLHT, FLHTK, FLHTK SHRINE, FLHX, FLTRK, FLTRX
7	29000120	BACKPLATE ASSEMBLY (Domestic)	FLHR, FLHT, FLHTK, FLHTK SHRINE, FLHX, FLTRK, FLTRX
7	29000121	BACKPLATE ASSEMBLY (HDI)	FLHR, FLHT, FLHTK, FLHTK SHRINE, FLHX, FLTRK, FLTRX
8	29400211	BREATHER HOSE	FLHR, FLHT, FLHTK, FLHTK SHRINE, FLHX, FLTRK, FLTRX
9	29400212	FILTER ELEMENT	FLHR, FLHT, FLHTK, FLHTK SHRINE, FLHX, FLTRK, FLTRX
10	29000216	COVER KIT, with 29108-08 (chrome)	FLHR, FLHT, FLHTK, FLHTK SHRINE, FLHX, FLTRK, FLTRX
10	61300922	COVER KIT, with 29108-08 (gloss black)	FLHTK, FLTRK
10	29000301	COVER KIT, with 14001799 (chrome) (China)	FLHR, FLHTK, FLHX, FLTRX
11	61300467	INSERT, cover	FLHR, FLHT, FLHX, FLTRX
12	61300935	INSERT, cover (chrome)	FLHTK, FLHTK SHRINE, FLTRK
12	61301131	INSERT, cover (black)	FLHTK, FLHTK SHRINE, FLTRK

AIR CLEANER - FLHRXS, FLHXS, FLH, FLTRXS



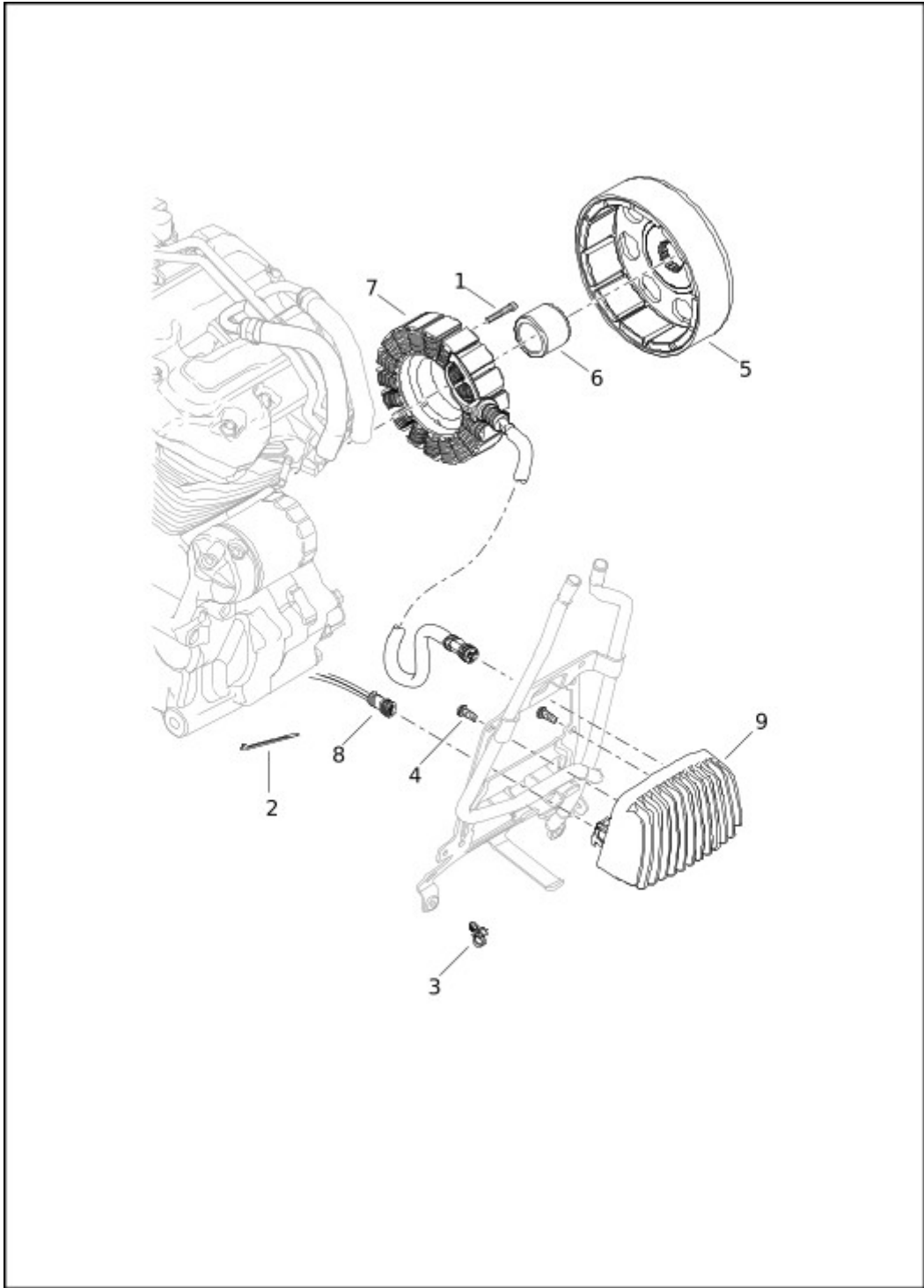
VIEW INTERACTIVE IMAGE

[View interactive table](#)

INDEX NO.	PART NO.	DESCRIPTION	MODEL(S)
1	869	SCREW (3)	FLH, FLHRXS, FLHXS, FLTRXS
2	923	SCREW (2)	FLH, FLHRXS, FLHXS, FLTRXS
3	3048	SCREW (2)	FLH, FLHRXS, FLHXS, FLTRXS
4	29465-08B	BOLT, breather (2)	FLH, FLHRXS, FLHXS, FLTRXS

INDEX NO.	PART NO.	DESCRIPTION	MODEL(S)
5	14101306	INSERT, air cleaner cover	FLHRXS, FLHXS, FLTRXS
5	14101107	INSERT, air cleaner cover	FLH
6	29000148	BACKPLATE ASSEMBLY, air cleaner (black)	FLH, FLHRXS, FLHXS, FLTRXS
7	29000149	GASKET	FLH, FLHRXS, FLHXS, FLTRXS
8	29400267	ELEMENT, air filter	FLH, FLHRXS, FLHXS, FLTRXS
9	29400336	HOSE, front	FLH, FLHRXS, FLHXS, FLTRXS
10	29400337	HOSE, rear	FLH, FLHRXS, FLHXS, FLTRXS
11	61300750	COVER, with label (chrome)	FLH, FLHXS, FLTRXS
11	61300751	COVER, with label (black)	FLHRXS, FLHXS, FLTRXS
11	29000291	COVER, with label (chrome) (China only)	FLH, FLHXS, FLTRXS
11	29000290	COVER, with label (black) (China only)	FLHRXS, FLHXS, FLTRXS
12	61300721	RAINSOCK	FLH, FLHRXS, FLHXS, FLTRXS

ALTERNATOR AND REGULATOR



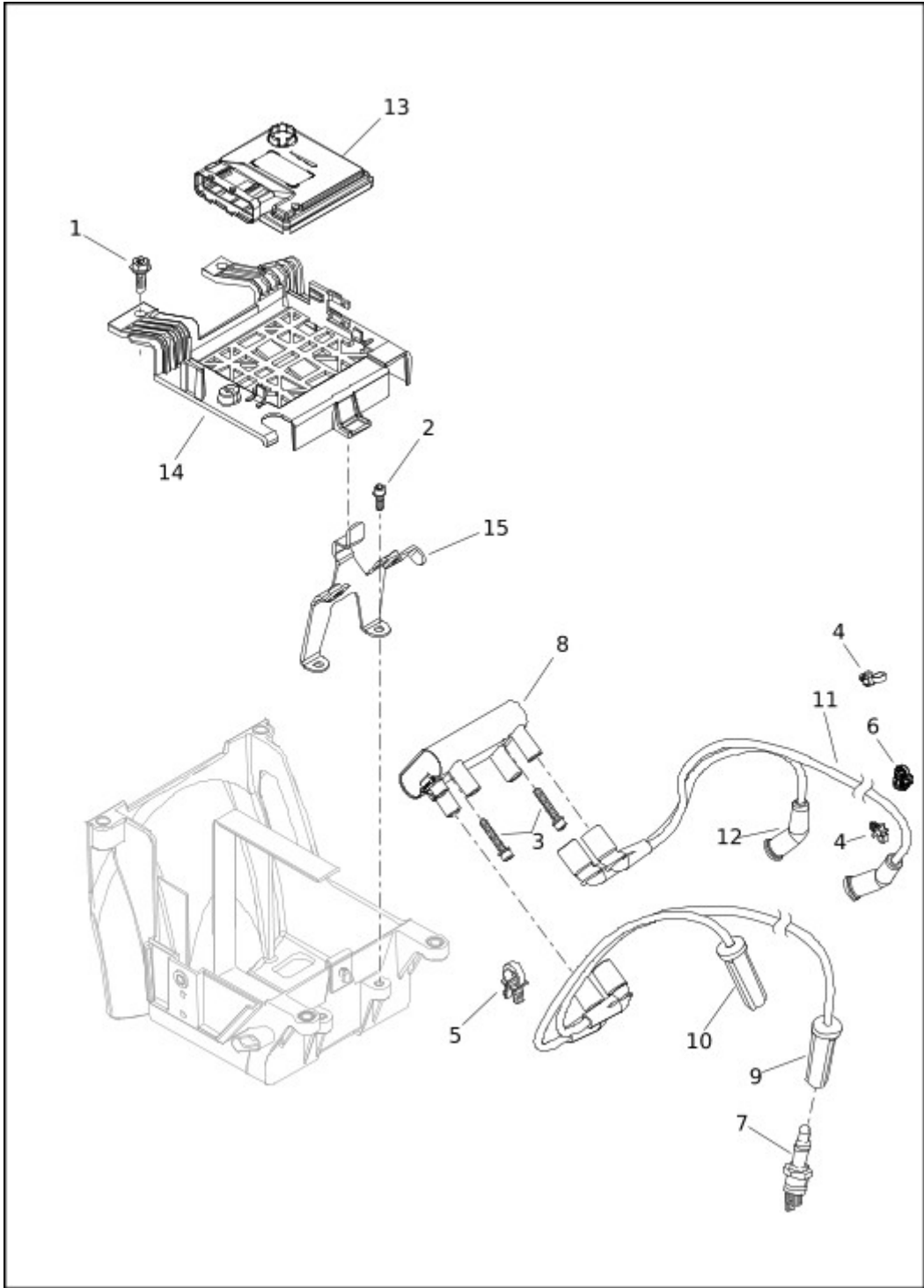
VIEW INTERACTIVE IMAGE

View interactive table

INDEX NO.	PART NO.	DESCRIPTION	MODEL(S)
1	3050	SCREW (3)	ALL
2	10039	CABLE STRAP (3)	ALL
3	10177	CABLE STRAP, anchored	ALL
4	10200422	SCREW (4)	ALL

INDEX NO.	PART NO.	DESCRIPTION	MODEL(S)
5	29900038A	ROTOR ASSEMBLY	ALL
6	29900041	SPACER, sprocket shaft	ALL
7	29900042A	STATOR ASSEMBLY, 3-phase, 48 A	ALL
8	69201423	DC LEAD ASSEMBLY, voltage regulator (from main wiring harness)	ALL
9	74700025	VOLTAGE REGULATOR ASSEMBLY	ALL

ELECTRONIC CONTROL MODULE (ECM) AND COIL



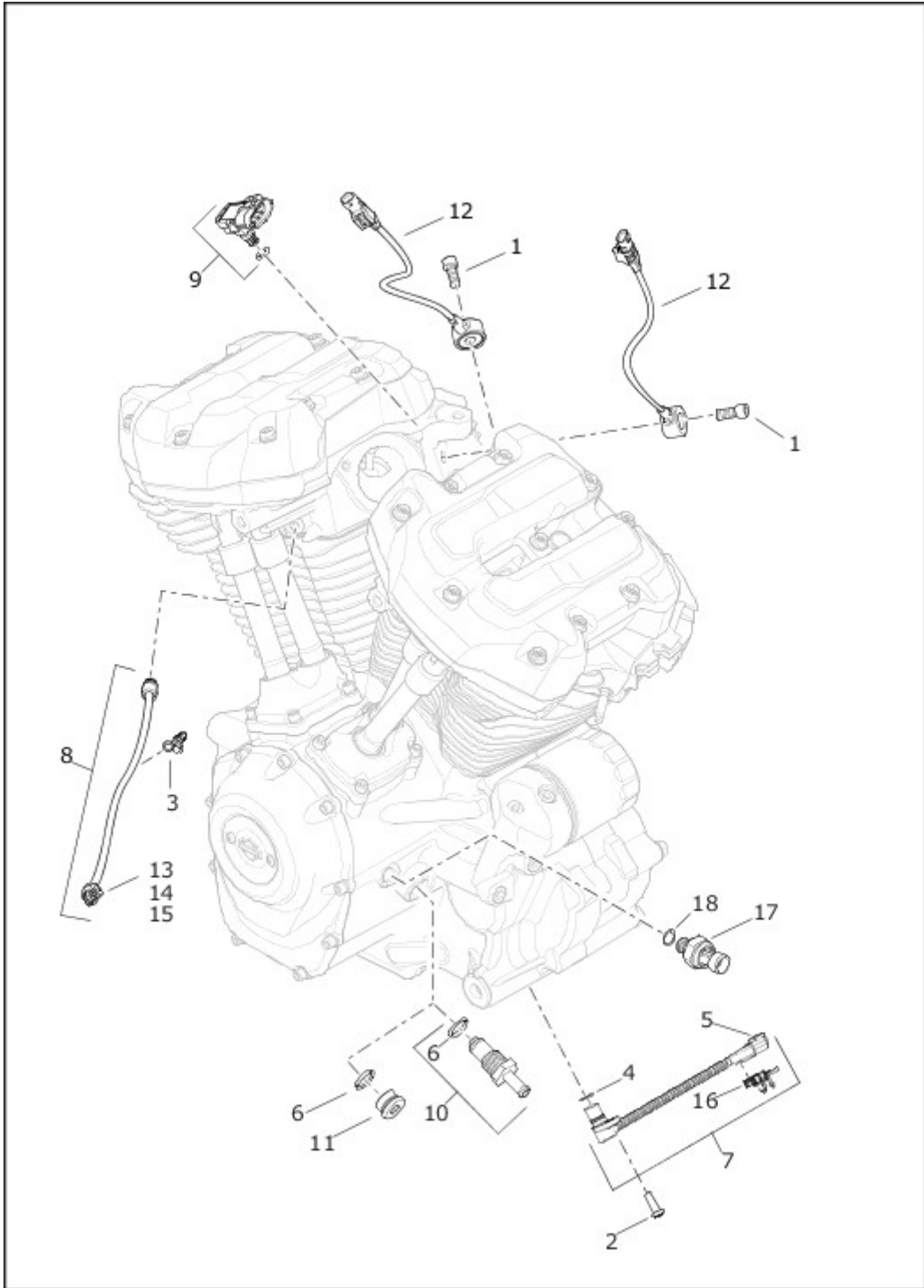
VIEW INTERACTIVE IMAGE

[View interactive table](#)

INDEX NO.	PART NO.	DESCRIPTION	MODEL(S)
1	3634	SCREW (2)	ALL
2	4705	SCREW (2)	ALL
3	4813A	SCREW (2)	ALL

INDEX NO.	PART NO.	DESCRIPTION	MODEL(S)
4	10177	CABLE STRAP, anchored (6)	ALL
5	70681-09	RETAINER, wire harness	ALL
6	12200170	CLIP, retaining, anchored	ALL
7	31600012	SPARK PLUG, M10 (4)	ALL
8	31600017	IGNITION COIL	ALL
9	31600018B	SPARK PLUG CABLE, right front cylinder, with 10177	ALL
10	31600023A	SPARK PLUG CABLE, right rear cylinder, with 10177	ALL
11	31600078A	SPARK PLUG CABLE, left front cylinder, with 10177 and 12200170	ALL
12	31600079	SPARK PLUG CABLE, left rear cylinder, with 10177	ALL
13	41000677	ELECTRONIC CONTROL MODULE (ECM), Requires Digital Technician II programming.	ALL
14	69202307	CADDY, electronic control module (ECM)	ALL
15	69201178	BRACKET, battery hold down	ALL

SENSORS AND SWITCHES, ENGINE



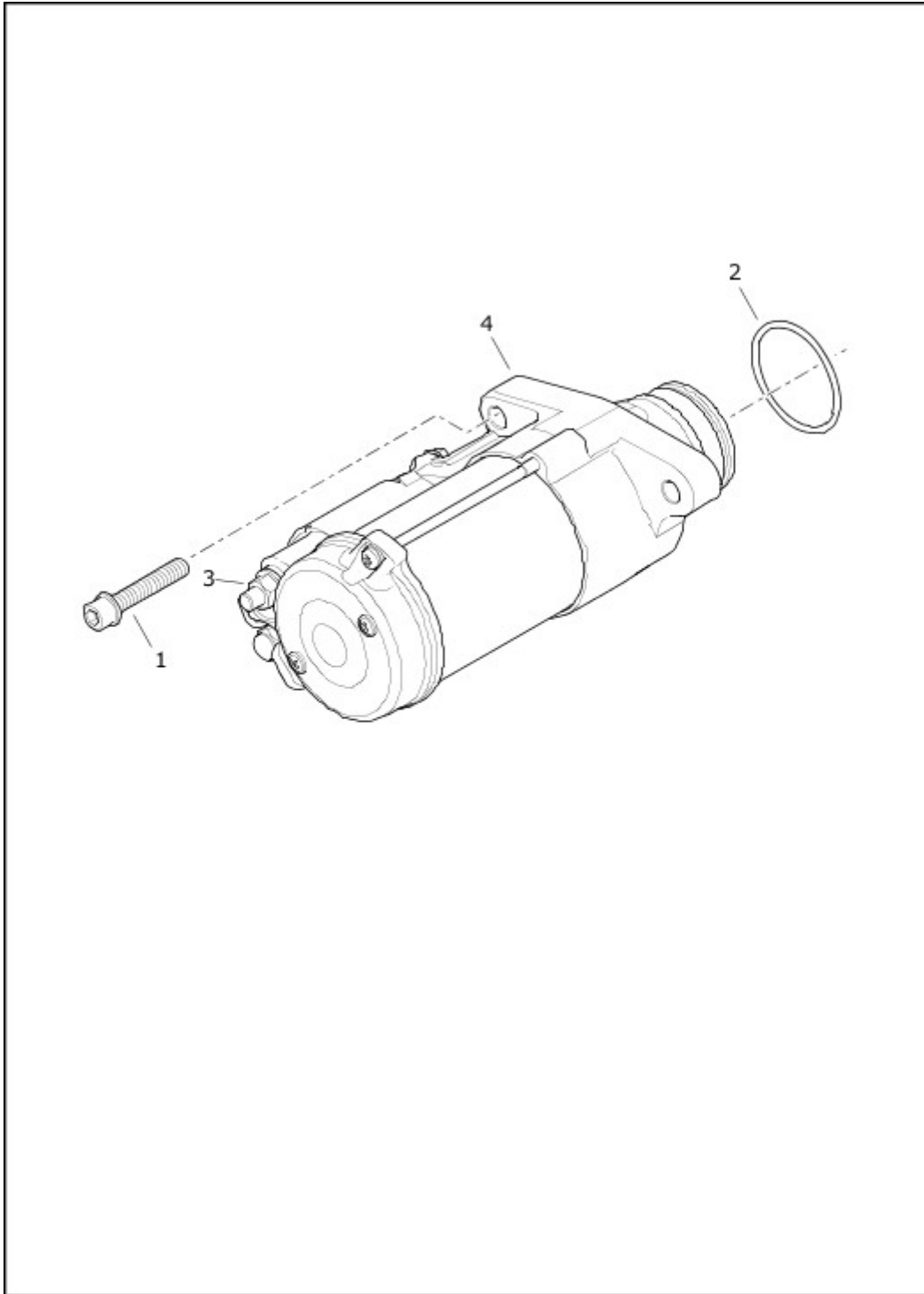
VIEW INTERACTIVE IMAGE

[View interactive table](#)

INDEX NO.	PART NO.	DESCRIPTION	MODEL(S)
1	3275	SCREW (2)	ALL
2	942	SCREW	ALL
3	10177	CABLE STRAP, anchored	ALL

INDEX NO.	PART NO.	DESCRIPTION	MODEL(S)
4	11900180	O-RING, crankshaft position sensor	ALL
5	74194-98	TERMINAL, pin, 20-24 AWG (2)	ALL
6	11900010	O-RING	ALL
7	32700144	SENSOR, crankshaft position, with 74194-98, 11900180 and 69201302	ALL
8	32700054	SENSOR, engine temperature, with 10177, 69201299, 69201300 and 69201301	ALL
9	32700065	SENSOR, temperature manifold absolute pressure (TMAP), with O-ring	ALL
10	62700141	CHECK VALVE, oil pressure, with 11900010 (Air-Cooled)	FLH, FLHR, FLHRXS, FLHT, FLHX, FLHXS, FLTRX, FLTRXS
11	62800013	PLUG ASSEMBLY, with 11900010 (Twin-Cooled)	FLHTK, FLHTK SHRINE, FLTRK
12	69200840	SENSOR, knock (2)	ALL
13	69201299	HOUSING, two-way socket	ALL
14	69201300	TERMINAL, socket, 20 AWG (2)	ALL
15	69201301	WIRE SEAL, 20-22 AWG (green) (2)	ALL
16	69201302	CONNECTOR ANCHOR	ALL
17	71400112A	OIL PRESSURE SWITCH	ALL
18	11900172	O-RING	ALL

STARTER MOTOR

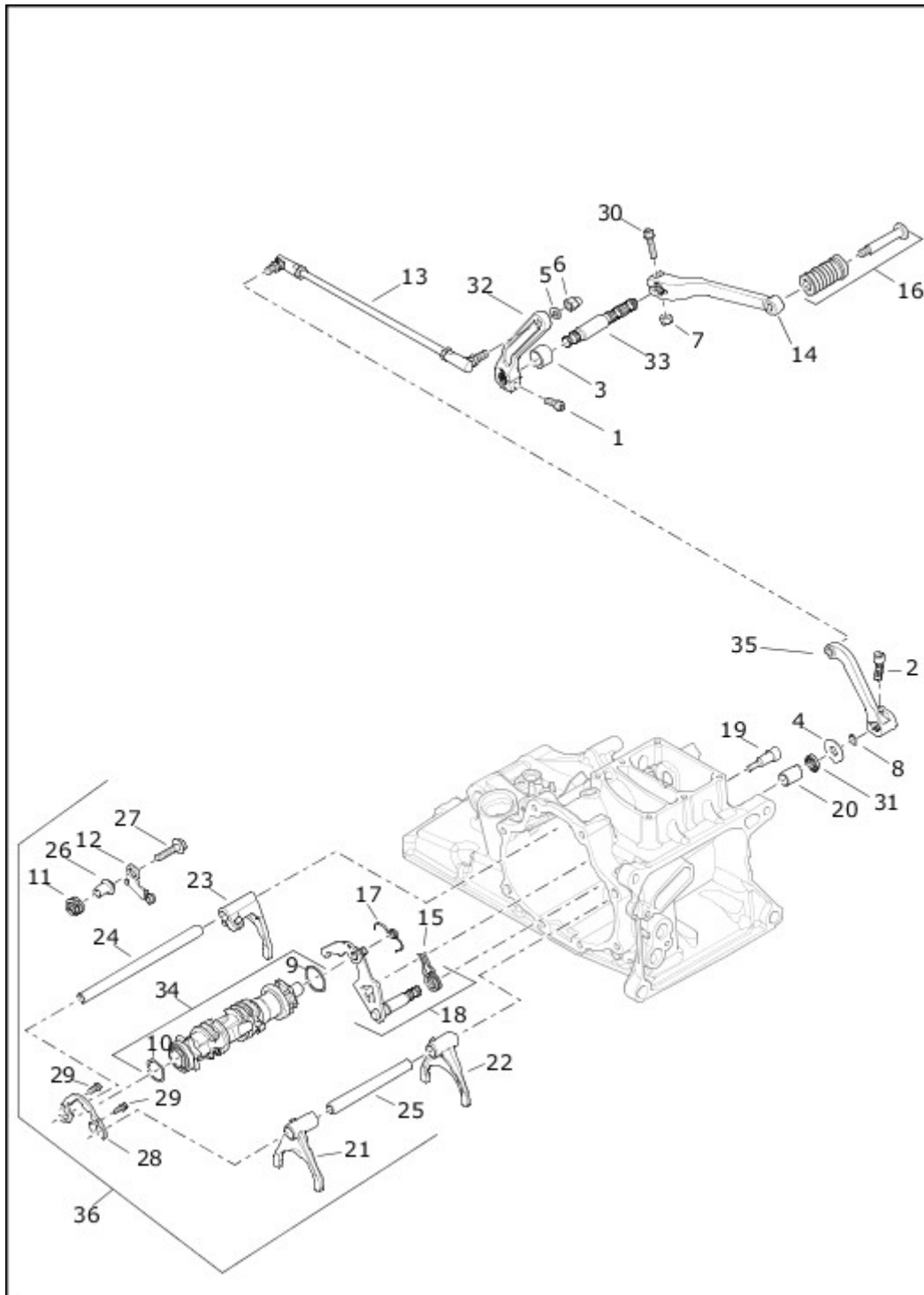


VIEW INTERACTIVE IMAGE

View interactive table

INDEX NO.	PART NO.	DESCRIPTION	MODEL(S)
1	4419	SCREW (2)	ALL
2	27444-00Y	O-RING, starter-to-case	ALL
3	31694-90	NUT	ALL
4	31400053	STARTER ASSEMBLY COMPLETE (black)	ALL

SHIFTER, GEAR



VIEW INTERACTIVE IMAGE

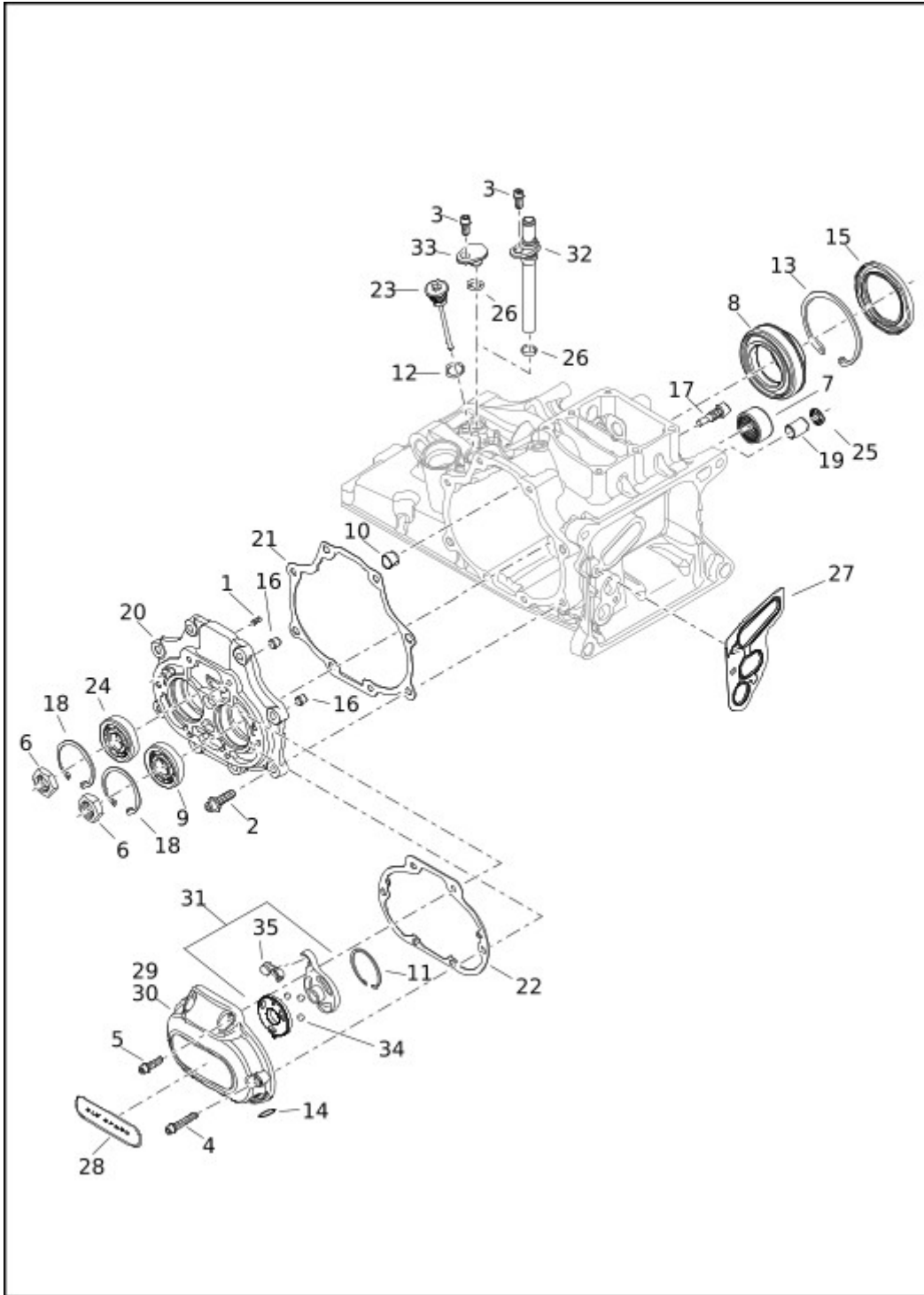
View interactive table

INDEX NO.	PART NO.	DESCRIPTION	MODEL(S)
1	780	SCREW	ALL
2	856A	SCREW	ALL

INDEX NO.	PART NO.	DESCRIPTION	MODEL(S)
3	33600304	SPACER	ALL
4	6497HW	WASHER	ALL
5	6702	WASHER	ALL
6	7330	ACORN NUT	ALL
7	7686	LOCKNUT	ALL
8	11150	RETAINING RING	ALL
9	11389	RING, shift camshaft retaining	ALL
10	11575	RING, shift camshaft retaining	ALL
11	33389-07	SPRING, detent	ALL
12	33409-06B	DETENT ARM ASSEMBLY, with 33389-07	ALL
13	33719-79B	SHIFTER ROD	ALL
14	33895-82E	SHIFT LEVER KIT, with 7686, 10200350 and shifter lever (chrome)	FLH, FLHR, FLHT, FLHTK, FLHTK SHRINE, FLHX, FLTRK, FLTRX
14	33600243	SHIFT LEVER KIT, with 7686, 10200350 and shifter lever (gloss black)	FLHRXS, FLHTK, FLHTK SHRINE, FLHXS, FLTRK, FLTRXS
15	34064-00C	SPRING, shift lever centering	ALL
16	34611-65A	TOE SHIFTER PEG KIT	ALL
17	34987-06	SPRING, ratchet lever	ALL
18	35081-06	SHIFT MECHANISM, with 34064-00C and 34987-06	ALL
19	35082-07	CENTERING SCREW, shift lever	ALL
20	35186-06A	SLEEVE	ALL
21	35187-06	FORK, shift 1 - 2	ALL
22	35210-06	FORK, shift 3 - 4	ALL
23	35217-06	FORK, shift 5 - 6	ALL
24	35222-06A	SHAFT, 5 - 6 shift fork	ALL
25	35223-06A	SHAFT, 1 - 2 and 3 - 4 shift fork	ALL
26	35243-06A	SLEEVE	ALL
27	35244-06	SCREW	ALL
28	35249-06A	LOCK PLATE, shift camshaft	ALL
29	35259-06	SCREW (2)	ALL

INDEX NO.	PART NO.	DESCRIPTION	MODEL(S)
30	10200350	SCREW	ALL
31	11000101	OIL SEAL	ALL
32	33600088	LEVER, gear shifter (chrome)	FLH, FLHR, FLHT, FLHTK, FLHTK SHRINE, FLHX, FLHXS, FLTRK, FLTRX, FLTRXS
32	33600188	LEVER, gear shifter (gloss black)	FLHRXS, FLHTK, FLHXS, FLTRK, FLTRXS
33	33600091	SHAFT	ALL
34	33900172	SHIFTER CAMSHAFT ASSEMBLY, with 11389, 11575 and bearing	ALL
35	33900175	LEVER, shifter rod	ALL
36	35000198A	GEAR PACK, FORKS AND DRUM SUBASSEMBLY, with 9, 10, 11, 12, 21, 22, 23, 24, 25, 26, 27, 28, 29, 34, 7340, 35260-06B, input shaft, countershaft and gears (black)	ALL

TRANSMISSION BEARINGS AND COVERS



VIEW INTERACTIVE IMAGE

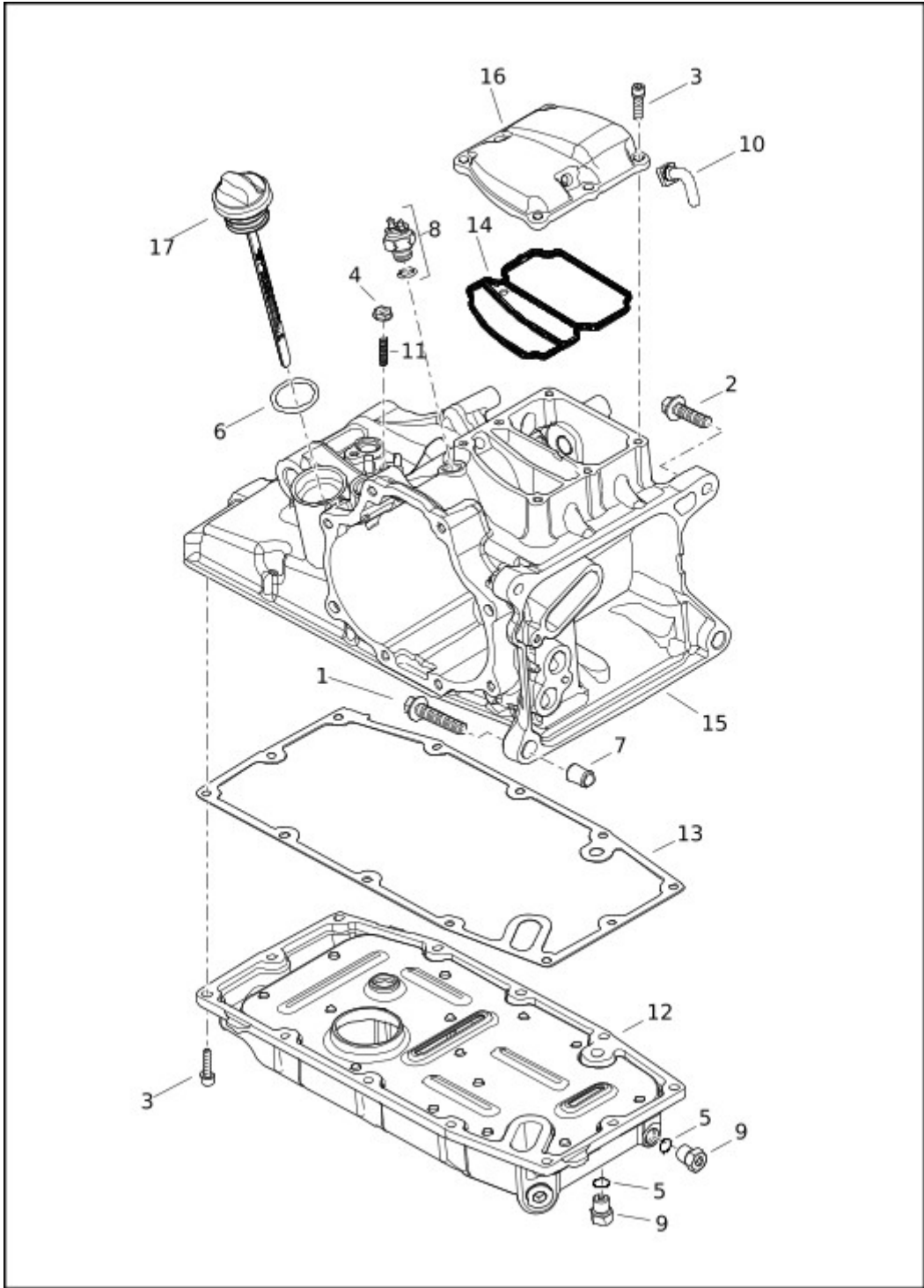
[View interactive table](#)

INDEX NO.	PART NO.	DESCRIPTION	MODEL(S)
1	221	PIN (2)	ALL
2	3249	SCREW (8)	ALL
3	4705	SCREW	ALL

INDEX NO.	PART NO.	DESCRIPTION	MODEL(S)
4	4718A	SCREW (4)	ALL
5	4741A	SCREW (2)	ALL
6	7340	NUT, mainshaft and countershaft (2)	ALL
7	8963	BEARING, needle	ALL
8	8967A	BEARING	ALL
9	8970A	BEARING	ALL
10	9701A	BUSHING	ALL
11	10998	RETAINING RING	ALL
12	11132A	O-RING, dipstick	ALL
13	11161	RETAINING RING	ALL
14	11179	O-RING	ALL
15	12074	SEAL	ALL
16	16583-00A	BUSHING, dowel (2)	ALL
17	35082-07	CENTERING SCREW, shift lever	ALL
18	35087-99A	RETAINING RING (2)	ALL
19	35186-06A	SLEEVE	ALL
20	35260-06B	BEARING HOUSING ASSEMBLY, with 221, 8970A, 16583-00A, 35087-99A and 11000010 (black)	ALL
21	35654-06	GASKET, bearing housing	ALL
22	36805-06	GASKET, cover	ALL
23	37065-06A	DIPSTICK (chrome)	ALL
24	11000010	BEARING	ALL
25	11000101	OIL SEAL	ALL
26	11900092	O-RING	ALL
27	24400215	GASKET	ALL
28	25800048	INSERT, side cover	FLHTK, FLHTK SHRINE, FLTRK
29	25800080	SIDE COVER (chrome)	FLH, FLHR, FLHX, FLHXS, FLTRX, FLTRXS
29	25800082	SIDE COVER (polished)	FLHT
29	25800098	SIDE COVER (gloss black)	FLHRXS, FLHTK, FLHXS, FLTRK,

INDEX NO.	PART NO.	DESCRIPTION	MODEL(S)
			FLTRXS
30	25800141	SIDE COVER ASSEMBLY, with 25800048 and 25800080 (chrome)	FLHTK, FLHTK SHRINE, FLTRK
31	37000376	RAMP KIT, with bearings	ALL
32	62700146	FITTING ASSEMBLY, transmission oil return, with 11900092 (Air-Cooled)	FLH, FLHR, FLHRXS, FLHT, FLHX, FLHXS, FLTRX, FLTRXS
33	62700150	PLUG, transmission, with 11900092 (Twin-Cooled)	FLHTK, FLHTK SHRINE, FLTRK
34	8873	BALL (3)	ALL
35	34920-86A	COUPLING	ALL

TRANSMISSION HOUSING, COVER AND OIL PAN



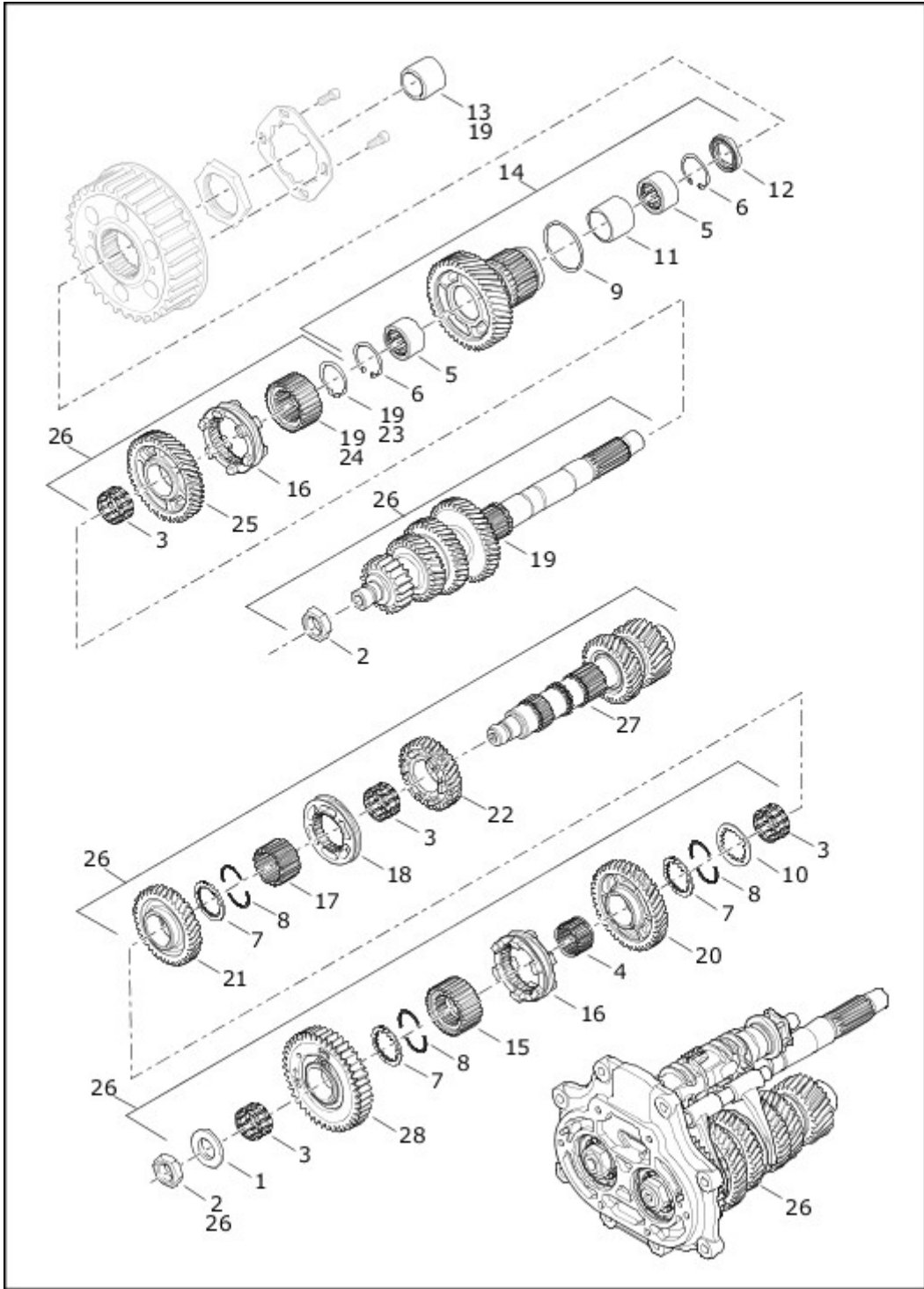
VIEW INTERACTIVE IMAGE

View interactive table

INDEX NO.	PART NO.	DESCRIPTION	MODEL(S)
1	3699D	SCREW (2)	ALL
2	3983	SCREW (2)	ALL
3	4741A	SCREW (18)	ALL

INDEX NO.	PART NO.	DESCRIPTION	MODEL(S)
4	7792	NUT	ALL
5	11105	O-RING (2)	ALL
6	11120	O-RING	ALL
7	16574-99A	DOWEL PIN (2)	ALL
8	33926-06B	SWITCH, neutral indicator, with O-ring	ALL
9	60328-98B	PLUG, magnetic, with 11105 (2)	ALL
10	34800043	VENT HOSE, transmission	ALL
11	66290-06	STUD, ground	ALL
12	24400180	OIL PAN ASSEMBLY, with 60328-98B (black)	ALL
13	25700452	GASKET, oil pan	ALL
14	34800044	GASKET, upper cover	ALL
15	34700372	TRANSMISSION CASE SUBASSEMBLY, with 3594, 8963, 8967A, 9701A, 11161, 16574-99A, 35082-07, 35122-06A, 35186-06A, 35241-06, 35242-06, 66290-06, 11000101 and 35000152 (black)	ALL
16	34800046	TRANSMISSION COVER, top, with 34800043, 34800044 (black)	ALL
17	62700136	DIPSTICK ASSEMBLY, with 11120 (black cap)	ALL

TRANSMISSION GEARS



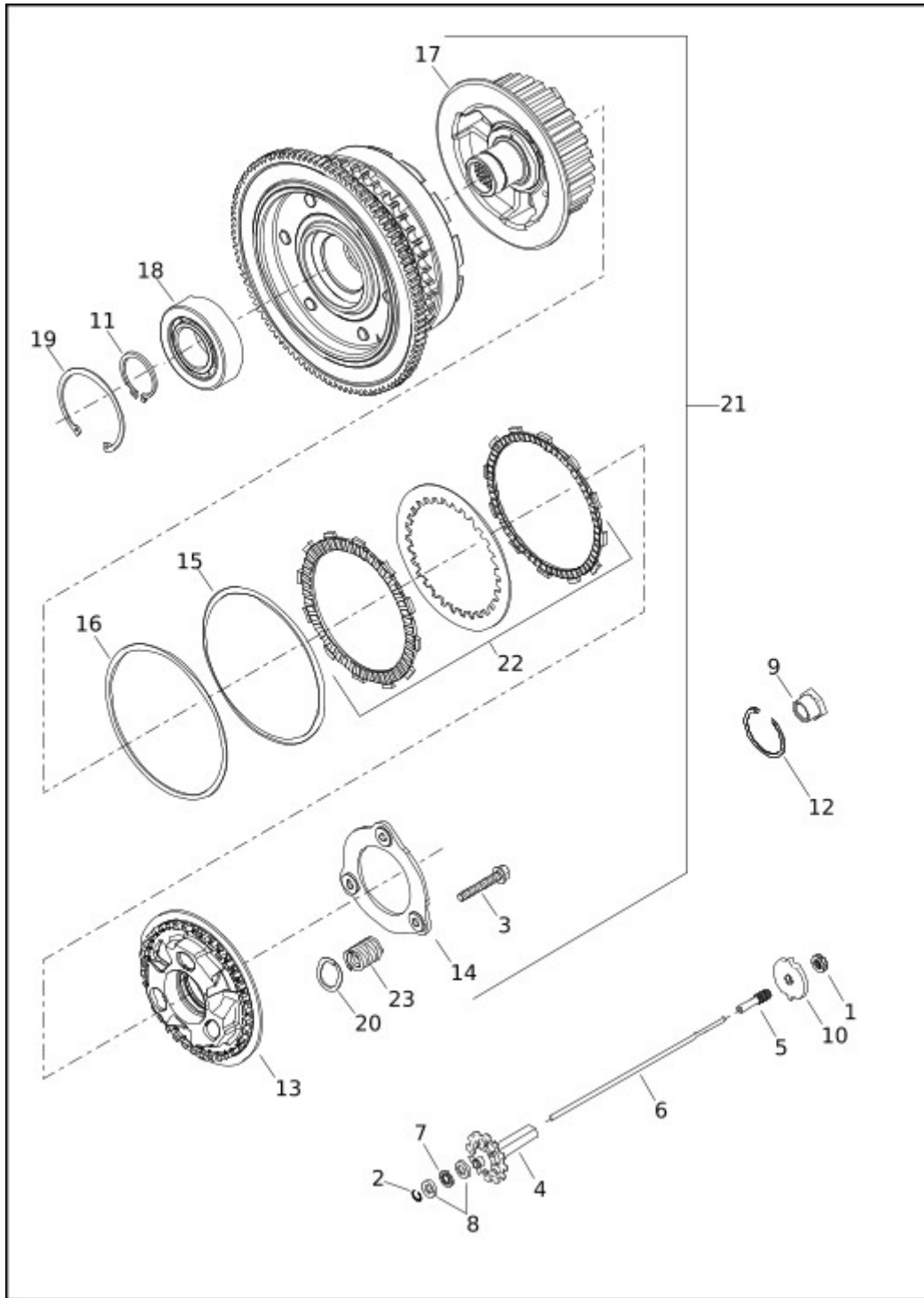
VIEW INTERACTIVE IMAGE

[View interactive table](#)

INDEX NO.	PART NO.	DESCRIPTION	MODEL(S)
1	5837B	SPACER	ALL
2	7340	NUT (2)	ALL
3	8026K	BEARING, needle (4)	ALL

INDEX NO.	PART NO.	DESCRIPTION	MODEL(S)
4	8041	BEARING, needle	ALL
5	8042A	BEARING, needle (2)	ALL
6	10991A	RETAINING RING (2)	ALL
7	11081A	RING, lock (3)	ALL
8	11082A	SECURING SEGMENT (6)	ALL
9	11201	O-RING	ALL
10	11207A	WASHER, internal spline	ALL
11	11599A	SPACER, bearing	ALL
12	12077	OIL SEAL	ALL
13	34091-08	BEARING, inner race	ALL
14	35122-06A	GEAR ASSEMBLY, driven output, with 8042, 10991A, 11201, 11599A and 12077	ALL
15	35124-06	GUIDE HUB, dog ring	ALL
16	35126-06	DOG RING, lugged (2)	ALL
17	35202-06	GUIDE HUB, dog ring	ALL
18	35204-06	DOG RING, pocketed	ALL
19	35467-06C	INPUT SHAFT KIT, with 34091-08, 12200144 and 35000178	ALL
20	35807-06	GEAR, countershaft-second	ALL
21	35811-06	GEAR, countershaft-third	ALL
22	35814-06	GEAR, countershaft-fourth	ALL
23	12200144	RETAINING RING	ALL
24	35000178	GUIDE HUB, dog ring	ALL
25	35000179	GEAR, fifth input	ALL
26	35000198A	GEAR PACK, FORKS AND DRUM SUBASSEMBLY, with 1, 2, 3, 4, 7, 8, 10, 15, 16, 17, 18, 19, 20, 21, 22, 23, 24, 25, 27, 28, 35260-06B, shifter camshaft and forks (black)	ALL
27	35600094	COUNTERSHAFT ASSEMBLY	ALL
28	35600103	GEAR ASSEMBLY, countershaft-first	ALL

CLUTCH



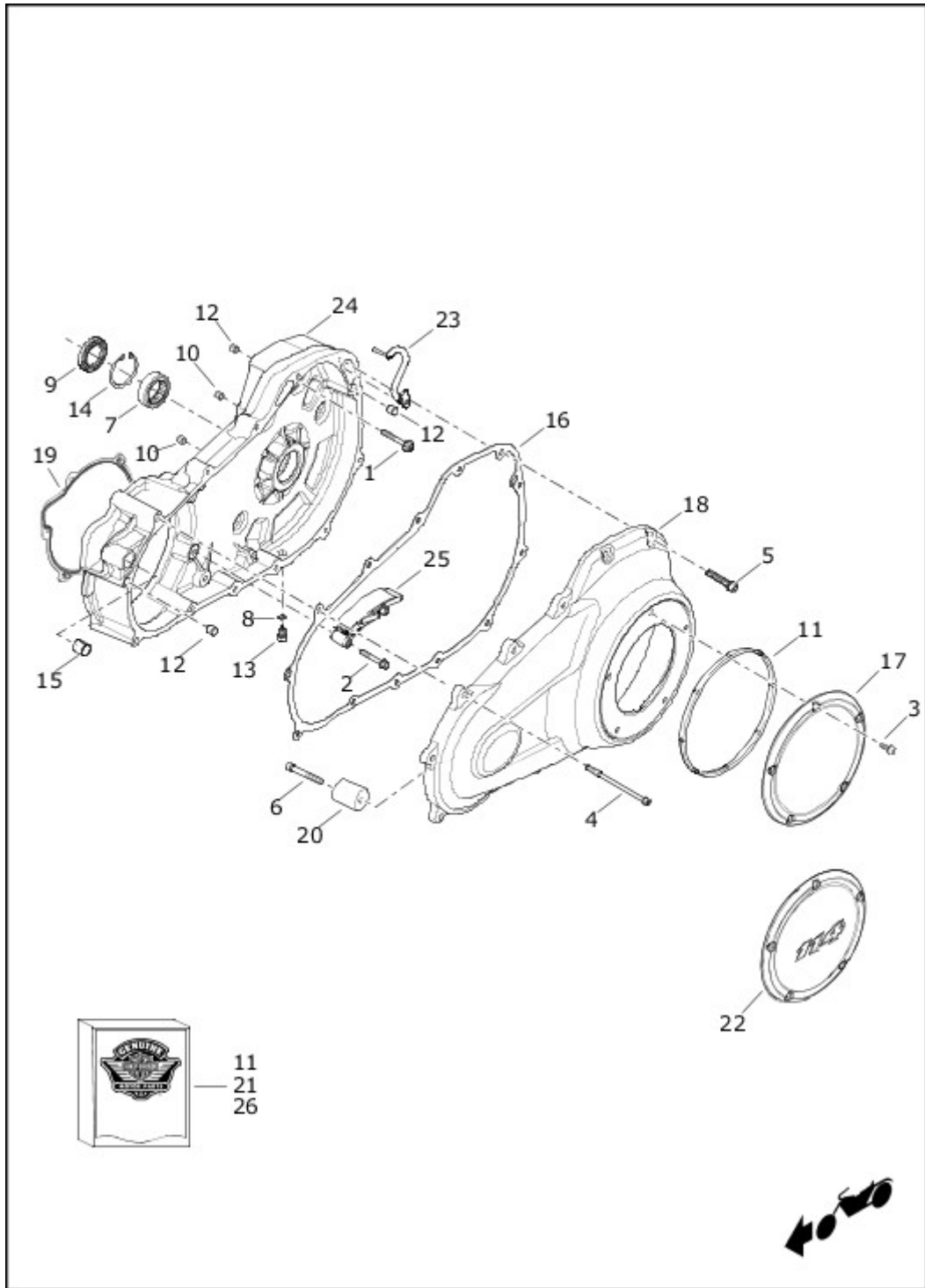
VIEW INTERACTIVE IMAGE

[View interactive table](#)

INDEX NO.	PART NO.	DESCRIPTION	MODEL(S)
1	7848W	JAMNUT	ALL
2	11096	RETAINING RING	ALL
3	36706-01K	BOLT (3)	ALL

INDEX NO.	PART NO.	DESCRIPTION	MODEL(S)
4	37069-90A	OIL SLINGER	ALL
5	37090-98A	SCREW, adjuster	ALL
6	37092-06	PUSHROD, clutch release	ALL
7	37312-75	BEARING, thrust	ALL
8	37313-80	BEARING, thrust race (2)	ALL
9	37496-90A	NUT, mainshaft	ALL
10	37903-90	RELEASE PLATE	ALL
11	37904-90	RETAINING RING, external	ALL
12	37909-90	RING, retaining, internal	ALL
13	37000032A	PRESSURE PLATE, clutch	ALL
14	37000033	STOPPER PLATE	ALL
15	37000034	SPRING, damper	ALL
16	37000295	SEAT, damper-spring	ALL
17	37000083	HUB ASSEMBLY	ALL
18	37000168	BEARING, ball, double-row	ALL
19	37000169	RETAINING RING, internal	ALL
20	37000219	SEAT (3)	ALL
21	37000254A	CLUTCH ASSEMBLY, complete, with 3, 11, 13, 14, 15, 16, 17, 18, 19, 20, 22 and 23	ALL
22	37000258	CLUTCH DISKS KIT	ALL
23	37000270A	COIL SPRING (3)	ALL

PRIMARY HOUSING



VIEW INTERACTIVE IMAGE

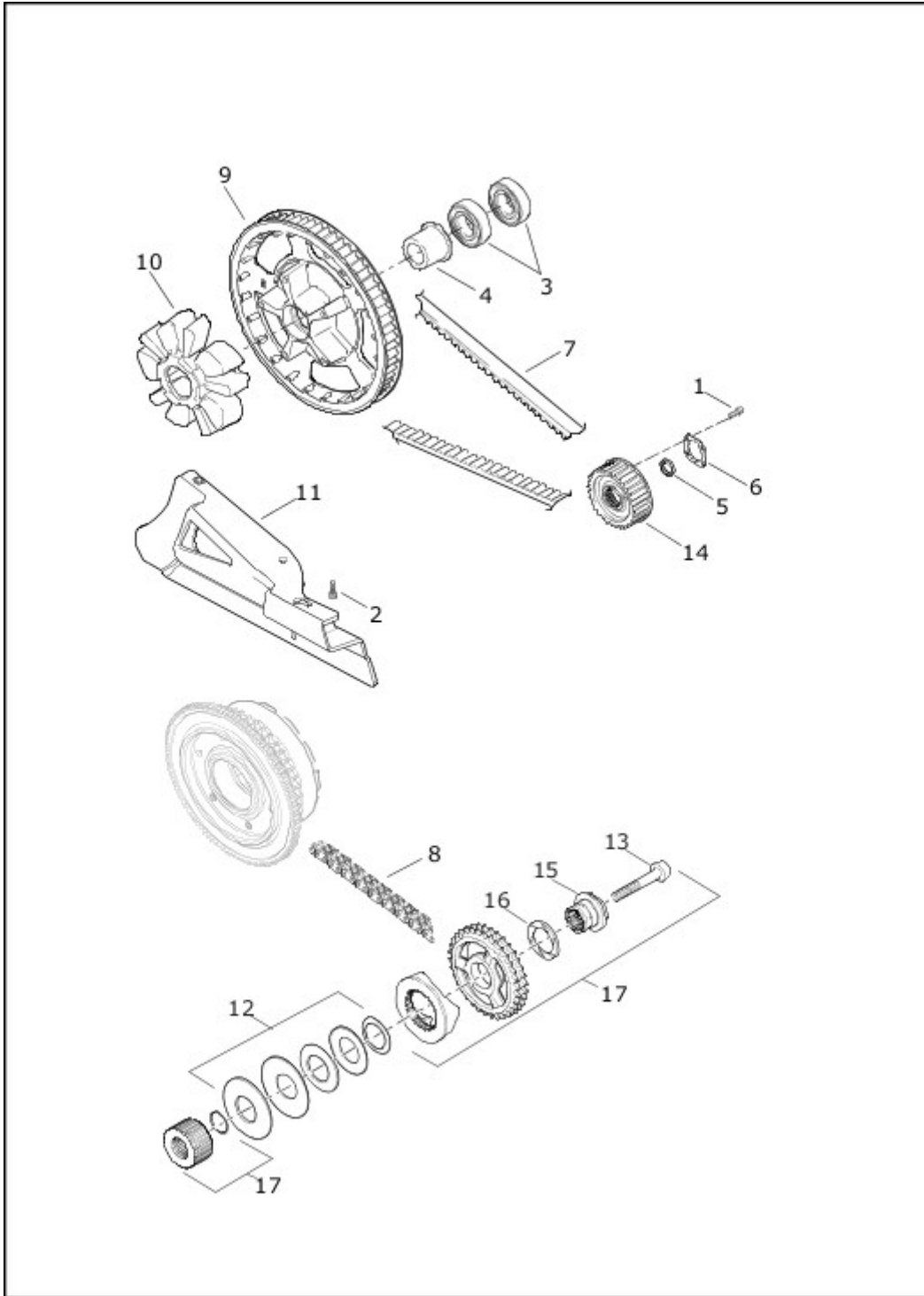
[View interactive table](#)

INDEX NO.	PART NO.	DESCRIPTION	MODEL(S)
1	786A	BOLT (5)	ALL
2	791A	SCREW (2)	ALL
3	1062	SCREW (5)	ALL

INDEX NO.	PART NO.	DESCRIPTION	MODEL(S)
4	1775	SCREW (4)	ALL
5	4813A	SCREW (9)	ALL
6	4820A	SCREW	ALL
7	9231	BEARING	ALL
8	11105	O-RING	ALL
9	12052A	SEAL	ALL
10	16583-00A	BUSHING, dowel (2)	ALL
11	17369-06	GASKET SERVICE KIT, 1000 mi (1600 km), 5000 mi (8000 km), 10,000 mi (16,000 km), with 11105 and clutch cover seal	ALL
12	24754-75A	DOWEL BUSHING (4)	ALL
13	60328-98B	PLUG, magnetic drain, with 11105	ALL
14	60678-85	RETAINING RING	ALL
15	11000139	BUSHING	ALL
16	25700378	GASKET, primary cover	ALL
17	25700388	COVER, clutch (chrome)	FLHR, FLHX, FLTRX
17	25701145	COVER, clutch (polished)	FLHT
18	25700418	COVER, primary (chrome)	FLH, FLHR, FLHTK, FLHTK SHRINE, FLHX, FLHXS, FLTRK, FLTRX, FLTRXS
18	25700491	COVER, primary (gloss black)	FLHRXS, FLHTK, FLHTK SHRINE, FLHXS, FLTRK, FLTRXS
18	25701144	COVER, primary (polished)	FLHT
19	25700455	GASKET, primary housing to case (chrome)	ALL
20	25700650	SLEEVE, damper	ALL
21	25700746	GASKET KIT, inner primary, with 1, 8, 9, 11, 16 and 19	FLH, FLHR, FLHT, FLHTK, FLHTK SHRINE, FLHX, FLTRX
21	25700830	GASKET KIT, inner primary, with 1, 8, 9, 11, 16 and 19	FLHRXS, FLHXS, FLTRXS
22	25700902	COVER, clutch (chrome)	FLH, FLHTK, FLHTK SHRINE, FLHXS, FLTRK, FLTRXS
22	25700904	COVER, clutch (gloss black)	FLHRXS, FLHTK, FLHTK SHRINE, FLTRK
23	26500026	HOSE	ALL

INDEX NO.	PART NO.	DESCRIPTION	MODEL(S)
24	36500052A	INNER PRIMARY HOUSING, with 7, 9, 10, 13, 14, 15 and 23 (black)	ALL
25	36500075	CHAIN TENSIONER ASSEMBLY	ALL
26	26500027	KIT, VENT, primary, with 11105, 25700378, 26500026 and clutch cover seal	ALL

BELT, CHAIN AND SPROCKETS



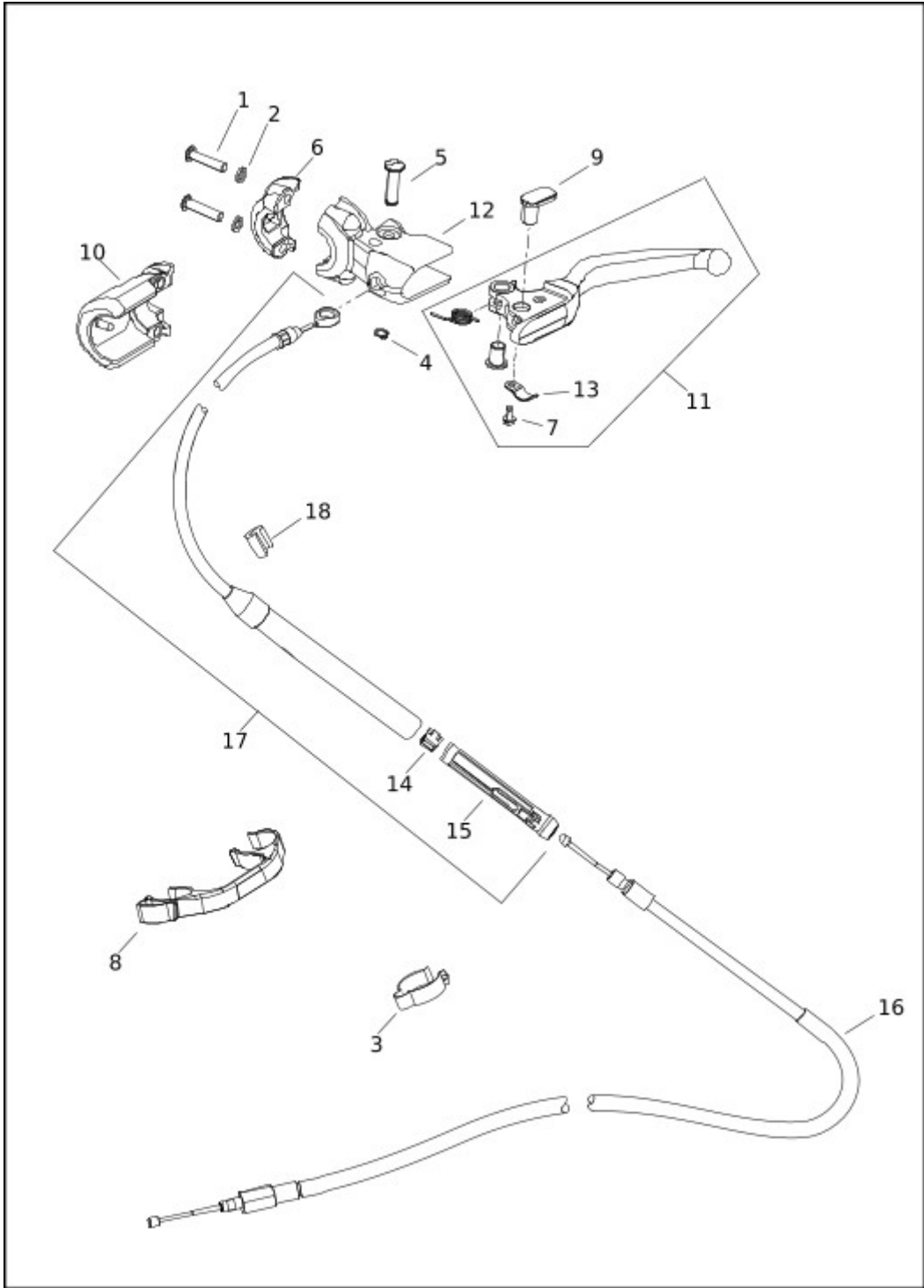
VIEW INTERACTIVE IMAGE

[View interactive table](#)

INDEX NO.	PART NO.	DESCRIPTION	MODEL(S)
1	3594	SCREW (2)	ALL
2	3892	SCREW (3)	ALL
3	9276B	BALL BEARING (2)	ALL

INDEX NO.	PART NO.	DESCRIPTION	MODEL(S)
4	11843	SPACER, compensator	ALL
5	35241-06	NUT	ALL
6	35242-06	LOCKPLATE	ALL
7	40024-09A	REAR BELT, 140 teeth, 24 mm	ALL
8	40037-07	PRIMARY CHAIN	ALL
9	40217-09	SPROCKET AND BEARING ASSEMBLY, rear, 68 teeth, with 9276B and 11843 (black)	ALL
10	40278-09	ISOLATOR, rubber	ALL
11	60386-09	DEBRIS DEFLECTOR	ALL
12	83936-09A	SPRING PACK	ALL
13	10500031	SCREW, compensator	ALL
14	35000152	SPROCKET, transmission, 32 teeth	ALL
15	40100041	RETAINER, sprocket	ALL
16	40100064	THRUST WASHER	ALL
17	40100076	ENGINE SPROCKET KIT, compensator assembly	ALL

CLUTCH CONTROL



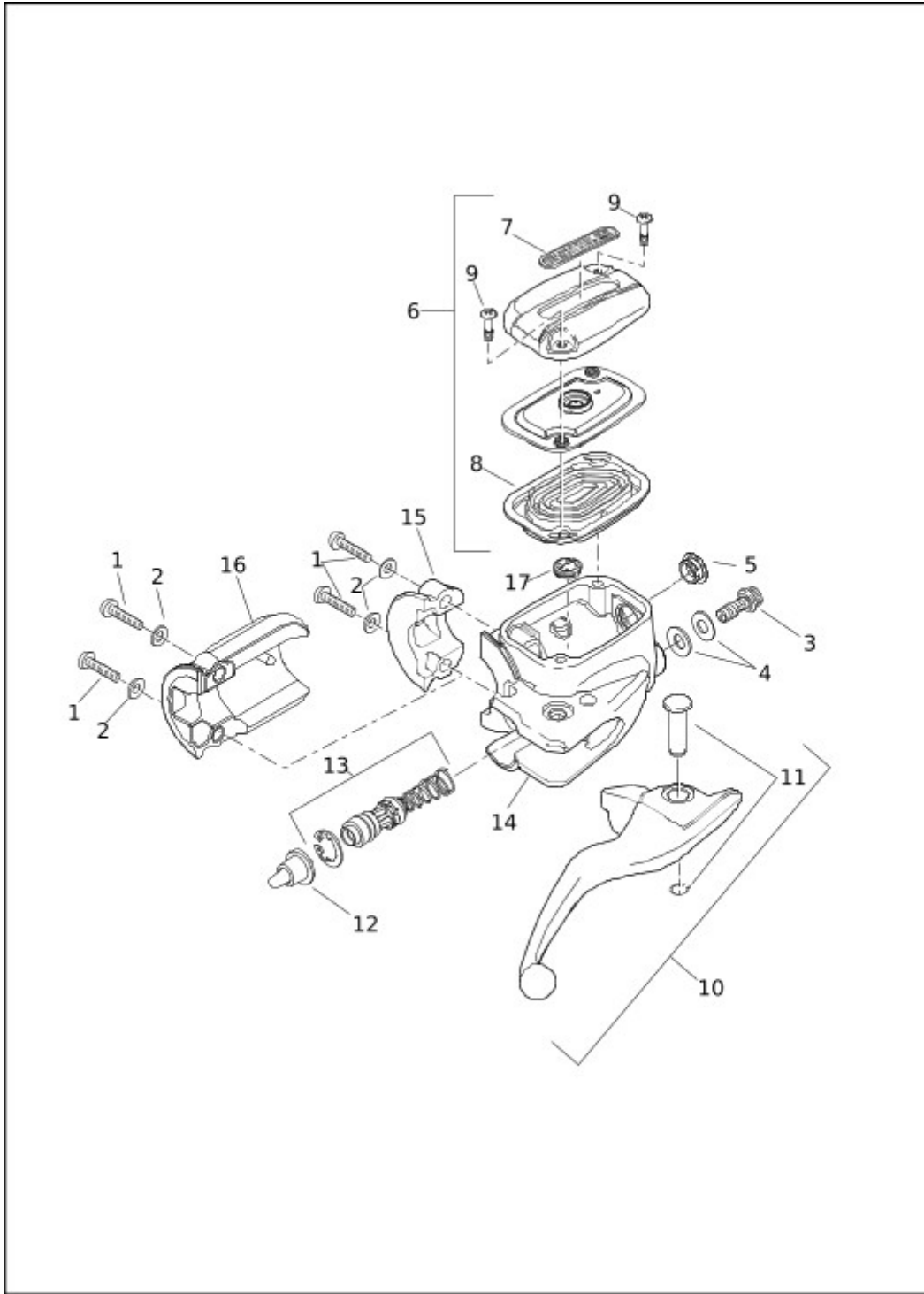
VIEW INTERACTIVE IMAGE

[View interactive table](#)

INDEX NO.	PART NO.	DESCRIPTION	MODEL(S)
1	4132	SCREW (2)	ALL
2	6101	WASHER (2)	ALL
3	10264	CLIP, clutch cable	ALL

INDEX NO.	PART NO.	DESCRIPTION	MODEL(S)
4	11615	RETAINING RING	ALL
5	42860-06B	PIVOT PIN, hand lever, with 11615	ALL
6	45138-08A	CLAMP, lever bracket (gloss black)	FLH, FLHR, FLHT, FLHTK, FLHTK SHRINE, FLHX, FLHXS
7	90770-79	SCREW	ALL
8	12200226	CLIP	ALL
9	12600309	PIN	ALL
10	36700246	CLAMP	FLHRXS, FLTRK, FLTRX, FLTRXS
11	36700249	HAND LEVER, clutch (polished)	FLH, FLHR, FLHT, FLHTK, FLHTK SHRINE, FLHX, FLHXS, FLTRK, FLTRX, FLTRXS
11	36700250	HAND LEVER, clutch (black satin)	FLHRXS, FLHTK, FLHTK SHRINE, FLHXS, FLTRK, FLTRXS
12	36700254	BRACKET, hand lever (black satin)	ALL
13	36700257	SPRING, anti-rattle	ALL
14	37200395A	BUTTON, cable adjuster	ALL
15	37200396	CONNECTOR BODY, clutch cable	ALL
16	37200437	CABLE, clutch control	ALL
17	37200439	CABLE, clutch control	FLTRK, FLTRX, FLTRXS
17	37200441	CABLE, clutch control	FLH, FLHT, FLHTK, FLHTK SHRINE, FLHX, FLHXS
17	37200440	CABLE, clutch control	FLHR, FLHRXS
18	37200545	CLIP	ALL

BRAKE CONTROL, FRONT



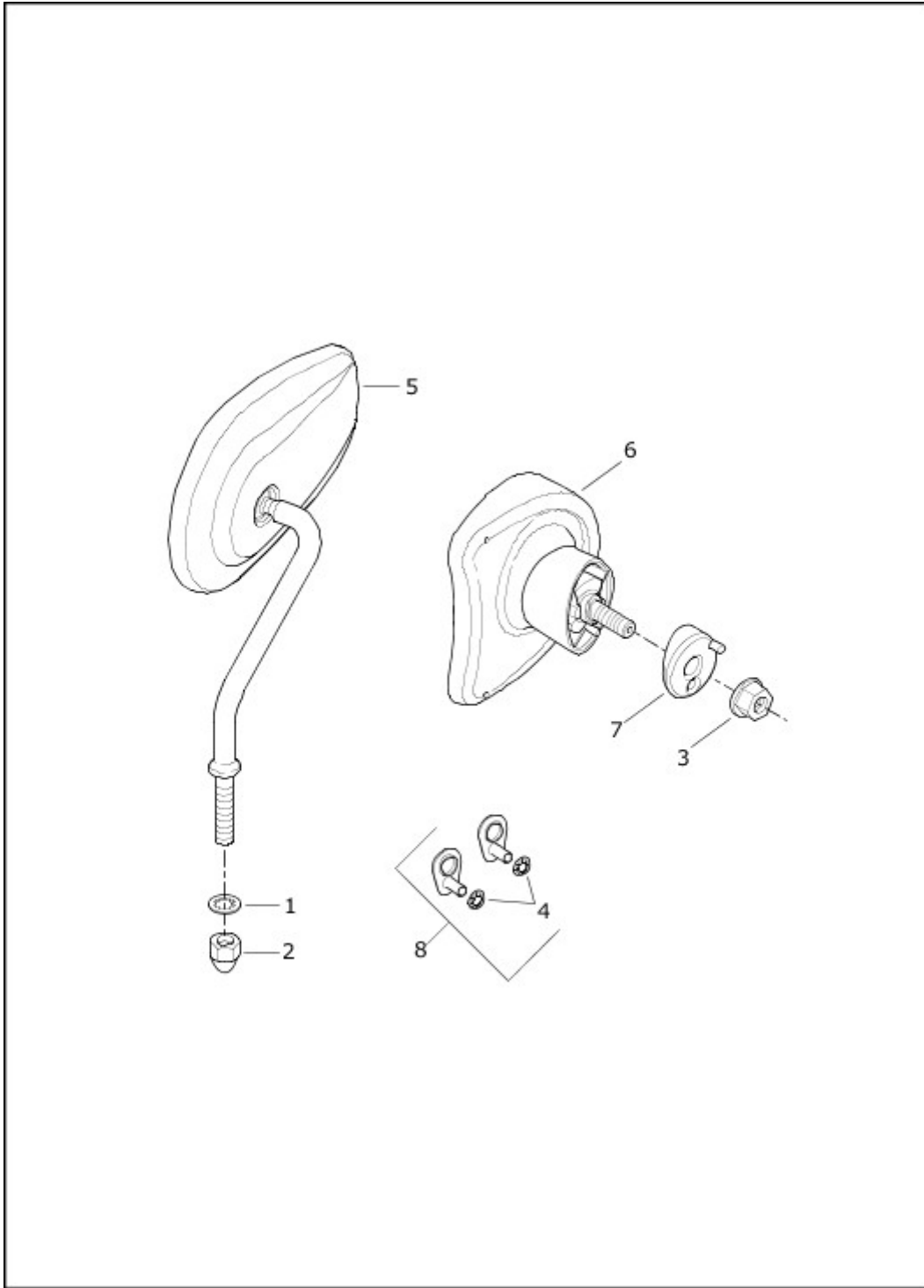
VIEW INTERACTIVE IMAGE

View interactive table

INDEX NO.	PART NO.	DESCRIPTION	MODEL(S)
1	4132	SCREW (2)	ALL
2	6101	WASHER (2)	ALL
3	41750-06B	BOLT, BANJO, brake line	ALL

INDEX NO.	PART NO.	DESCRIPTION	MODEL(S)
4	41751-06A	GASKET (2)	ALL
5	42854-06	KIT, SIGHT GLASS, reservoir	ALL
6	42855-06D	COVER KIT, master cylinder, with 42856-06, 42857-06B and 42858-06A (black)	ALL
7	42856-06	DECAL, reservoir cover	ALL
8	42857-06B	GASKET, reservoir cover	ALL
9	42858-06A	SCREW KIT, cover (set of 2)	ALL
10	42859-06B	BRAKE LEVER ASSEMBLY, front, with 42860-06B (polished)	FLH, FLHR, FLHT, FLHTK, FLHTK SHRINE, FLHX, FLTRK, FLTRX
10	42276-06A	BRAKE LEVER ASSEMBLY, front, with 42860-06B (gloss black)	FLHRXS, FLHTK, FLHTK SHRINE, FLHXS, FLTRK, FLTRXS
11	42860-06B	PIVOT PIN KIT, with retaining ring	ALL
12	42861-06B	PUSHROD, master cylinder	ALL
13	42862-06B	PISTON SERVICE KIT, master cylinder	ALL
14	44551-08F	MASTER CYLINDER ASSEMBLY, front, with 5, 6, 7, 8, 9, 10, 11, 12, 13 and 17 (gloss black with polished lever)	FLH, FLHR, FLHT, FLHTK, FLHTK SHRINE, FLHX, FLTRK, FLTRX
14	44985-10D	MASTER CYLINDER ASSEMBLY, front, with 5, 6, 7, 8, 9, 10, 11, 12, 13 and 17 (gloss black with gloss black lever)	FLHRXS, FLHTK, FLHTK SHRINE, FLHXS, FLTRK, FLTRXS
15	45138-08A	CLAMP, master cylinder and clutch (gloss black)	FLH, FLHR, FLHRXS, FLHT, FLHTK, FLHTK SHRINE, FLHX, FLHXS
16	41700948	CLAMP, master cylinder, front brake (satin black)	FLTRK, FLTRX, FLTRXS
17	41700367	BUTTON, anti-bubble	ALL

MIRRORS



VIEW INTERACTIVE IMAGE

[View interactive table](#)

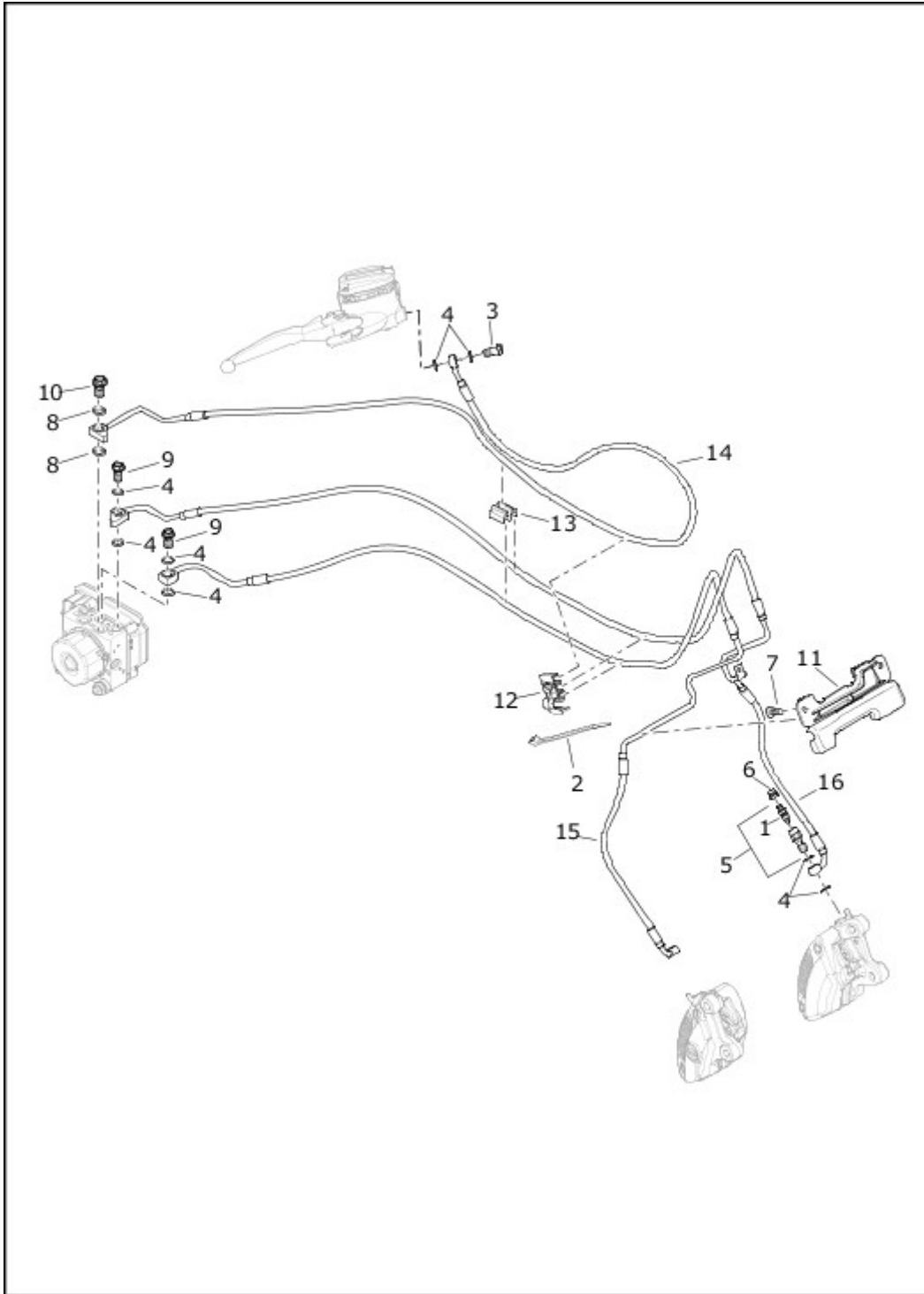
INDEX NO.	PART NO.	DESCRIPTION	MODEL(S)
1	7155	LOCKWASHER (2)	FLH, FLHR, FLHRXS, FLHT, FLHTK, FLHTK SHRINE, FLTRK, FLTRX, FLTRXS
2	7331	ACORN NUT (2)	FLH, FLHR, FLHT, FLHTK, FLHTK SHRINE, FLTRK,

Note: For FLHX and FLHXS models order fairing plug kit 57300063 to install in the inner fairing when converting to handlebar mounted mirrors

INDEX NO.	PART NO.	DESCRIPTION	MODEL(S)
			FLTRX, FLTRXS
2	7352	ACORN NUT (black) (2)	FLHRXS, FLTRK, FLTRXS
3	7687	NUT (2)	FLHX, FLHXS
4	8135B	PUSHNUT (2)	FLHX, FLHXS
5	91840-03B	MIRROR KIT, short, convex, with 7155 and 7331 (right) (chrome)	FLH, FLHR, FLHT, FLHTK, FLHTK SHRINE, FLTRK, FLTRX, FLTRXS
5	92614-10	MIRROR KIT, short, convex, with 7155 and 7352 (right) (black)	FLHRXS, FLHTK, FLHTK SHRINE, FLTRK, FLTRXS
5	91845-03B	MIRROR KIT, short, convex, with 7155 and 7331 (left) (chrome)	FLH, FLHR, FLHT, FLHTK, FLHTK SHRINE, FLTRK, FLTRX, FLTRXS
5	92615-10	MIRROR KIT, short, convex, with 7155 and 7352 (left) (black)	FLHRXS, FLHTK, FLHTK SHRINE, FLTRK, FLTRXS
6	56000011	MIRROR ASSEMBLY, fairing-mounted (left) (black)	FLHX, FLHXS
6	56000012	MIRROR ASSEMBLY, fairing-mounted (right) (black)	FLHX, FLHXS
7	56000015	BACKING PLATE, mirror, fairing-mounted (left)	FLHX, FLHXS
7	56000016	BACKING PLATE, mirror, fairing-mounted (right)	FLHX, FLHXS
8	57300063	FAIRING PLUG KIT, with 8135B	FLHX, FLHXS

Note: For FLHX and FLHXS models order fairing plug kit 57300063 to install in the inner fairing when converting to handlebar mounted mirrors

BRAKE LINES, FRONT - ABS



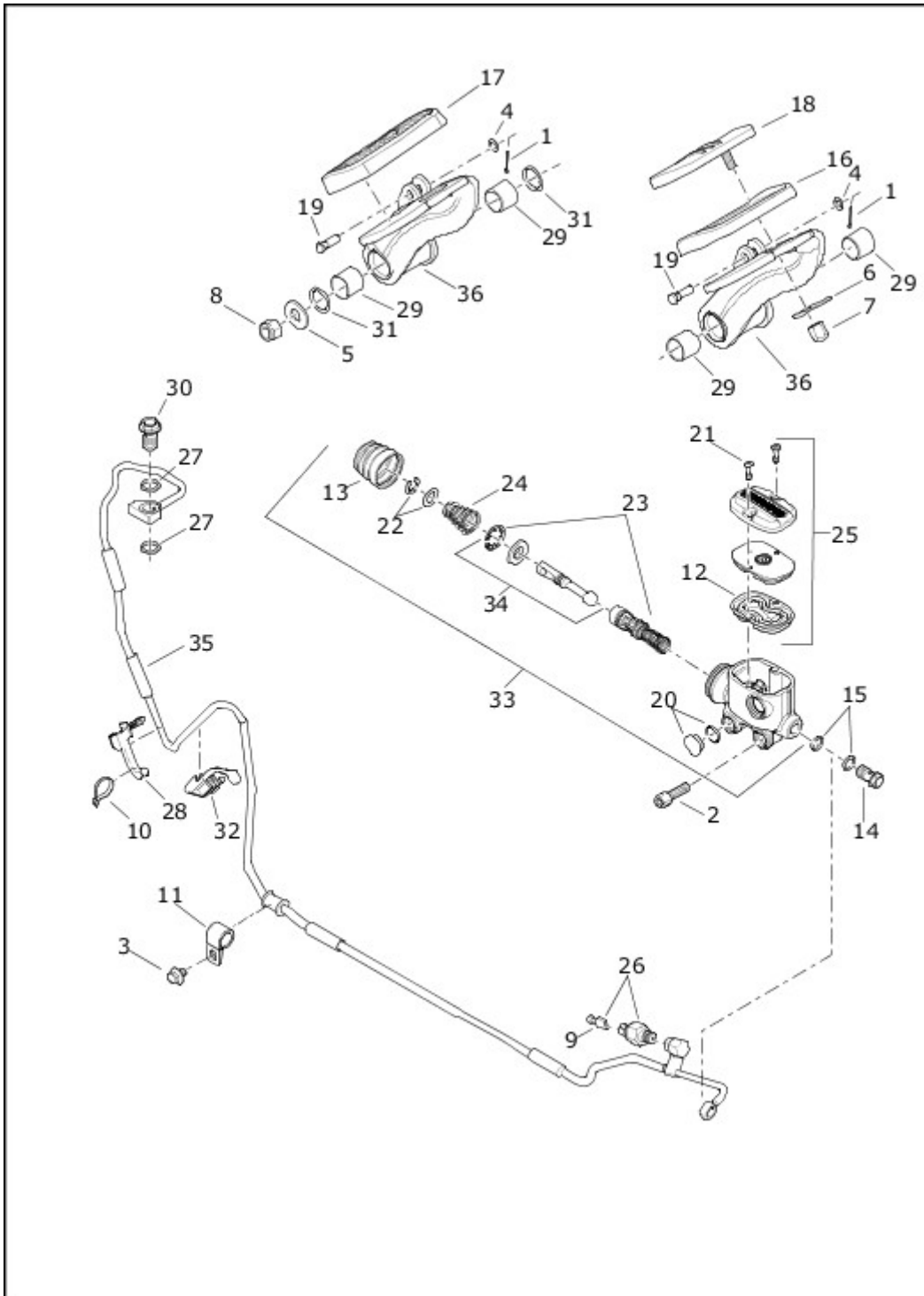
VIEW INTERACTIVE IMAGE

[View interactive table](#)

INDEX NO.	PART NO.	DESCRIPTION	MODEL(S)
1	4890	BLEEDER SCREW (2)	ALL
2	10006	CABLE STRAP (2)	ALL
3	41750-06B	BOLT, BANJO, brake line	ALL

INDEX NO.	PART NO.	DESCRIPTION	MODEL(S)
4	41751-06A	GASKET (10)	ALL
5	41783-08	BOLT, BANJO, bleeder assembly, with 4890 (2)	ALL
6	42853-06	CAP, bleeder screw (2)	ALL
7	10200223	SCREW (2)	ALL
8	10600007	GASKET (2)	ALL
9	11600001	BOLT, BANJO, brake line (2)	ALL
10	11600009	BOLT, BANJO, brake line	ALL
11	41600029A	BRACKET, brakeline, front	ALL
12	41600320	BRACKET, brake line	ALL
13	41600032	BRACKET, brake line	ALL
14	41800011	BRAKE LINE, front, (ABS) (upper)	FLH, FLHR, FLHRXS, FLHT, FLHTK, FLHTK SHRINE, FLHX, FLHXS
14	41800314	BRAKE LINE, front, (ABS) (upper)	FLTRX, FLTRXS
14	41800510	BRAKE LINE, front, (ABS) (upper)	FLTRK
15	41800542	BRAKE LINE, front, (ABS) (right)	FLTRK, FLTRX, FLTRXS
15	41800543	BRAKE LINE, front, (ABS) (right)	FLHR, FLHRXS
15	41800544	BRAKE LINE, front, (ABS) (right)	FLH, FLHT, FLHTK, FLHTK SHRINE, FLHX, FLHXS
16	41800545	BRAKE LINE, front, (ABS) (left)	FLTRK, FLTRX, FLTRXS
16	41800546	BRAKE LINE, front, (ABS) (left)	FLHR, FLHRXS
16	41800547	BRAKE LINE, front, (ABS) (left)	FLH, FLHT, FLHTK, FLHTK SHRINE, FLHX, FLHXS

BRAKE CONTROL, REAR



VIEW INTERACTIVE IMAGE

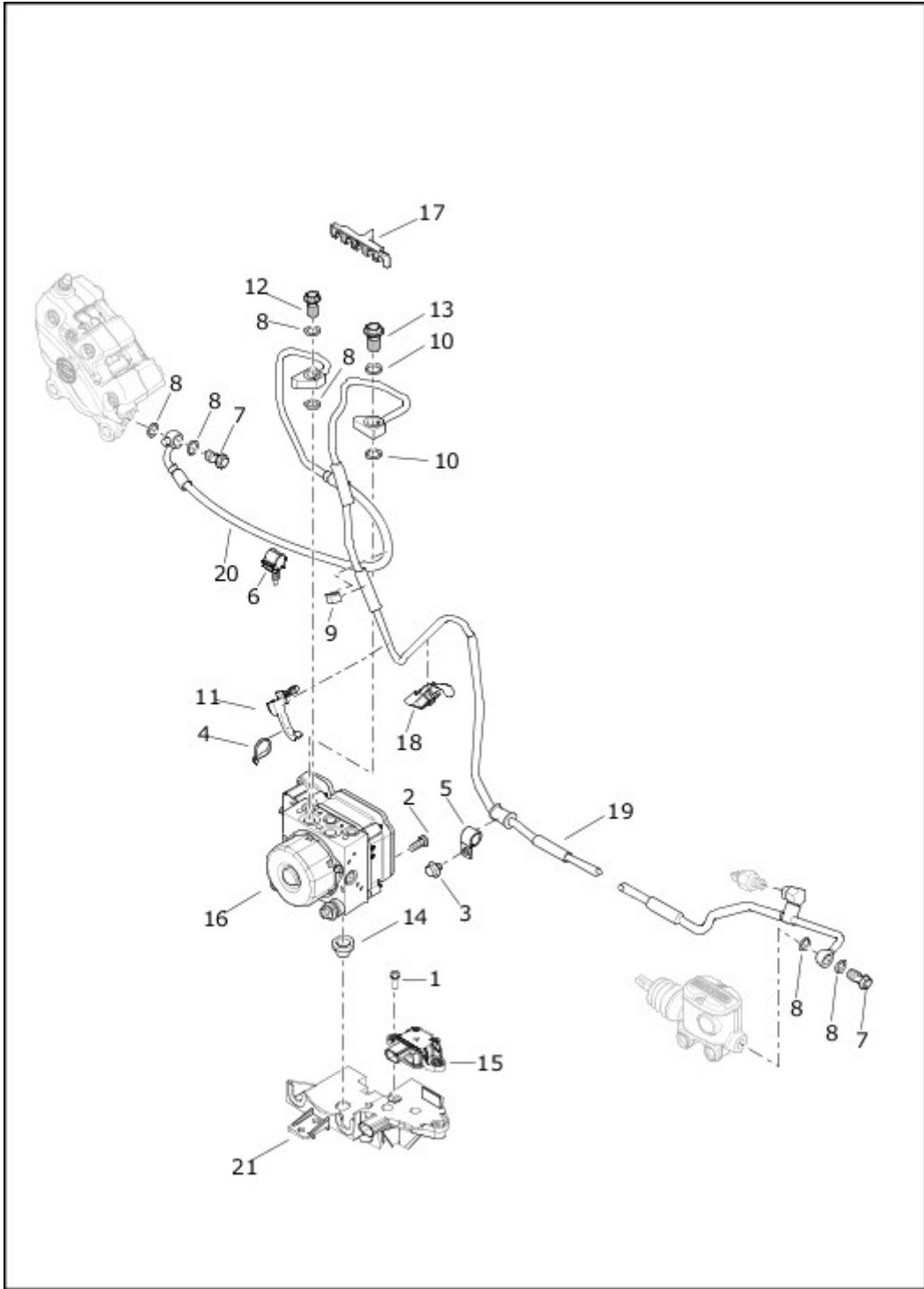
[View interactive table](#)

INDEX NO.	PART NO.	DESCRIPTION	MODEL(S)
1	515	COTTER PIN	ALL
2	2479	SCREW (2)	ALL
3	3563	SCREW	ALL

INDEX NO.	PART NO.	DESCRIPTION	MODEL(S)
4	6220W	WASHER	ALL
5	6416	WASHER	ALL
6	6421	WASHER	FLHRXS, FLHX, FLHXS, FLTRX, FLTRXS
7	7549A	ACORN NUT	FLHRXS, FLHX, FLHXS, FLTRX, FLTRXS
8	7825	LOCKNUT	ALL
9	9907	WIRE TERMINAL (2)	ALL
10	10065	CABLE STRAP	ALL
11	10076	CLAMP	ALL
12	11902	GASKET, master cylinder reservoir cover	ALL
13	12102	DUST BOOT	ALL
14	41750-06B	BOLT, BANJO, brake line (ABS)	ALL
15	41751-06A	GASKET (ABS) (2)	ALL
16	42410-04	COVER, brake pedal (chrome)	FLHX, FLTRX
16	50600245	COVER, brake pedal (black)	FLHRXS, FLHXS, FLTRXS
17	42416-06	PAD, brake pedal	FLH, FLHR, FLHT, FLHTK, FLHTK SHRINE, FLTRK
18	42444-04	PAD, brake pedal	FLHRXS, FLHX, FLHXS, FLTRX, FLTRXS
19	42460-80B	CLEVIS PIN	ALL
20	42854-06	KIT, SIGHT GLASS	ALL
21	42858-06A	SCREW KIT, cover (set of 2)	ALL
22	42889-06	SPRING RETENTION KIT, master cylinder pushrod	ALL
23	42932-08A	REBUILD KIT, master cylinder	ALL
24	42934-08	SPRING, pedal return	ALL
25	42937-08C	MASTER CYLINDER COVER KIT, rear, with 11902 and 42858-06A	ALL
26	72023-51E	KIT SWITCH, rear stop lamp, with 9907	ALL
27	10600007	GASKET (ABS) (2)	ALL
28	10800028	TUBE CLIP (lower)	ALL

INDEX NO.	PART NO.	DESCRIPTION	MODEL(S)
29	11000050	BUSHING, brake lever (2)	ALL
30	11600009	BOLT, BANJO, brake line (ABS)	ALL
31	11900021	O-RING (2)	ALL
32	41600091	TUBE CLIP (upper)	ALL
33	41700028A	MASTER CYLINDER ASSEMBLY, with 12, 13, 20, 21, 22, 23, 24, 25 and 34	ALL
34	41700195	PUSHROD KIT, master cylinder	ALL
35	41800012	BRAKE LINE, right-rear, master cylinder to ABS UNIT, with 10065, 10076, 10800028 and 41600091 (ABS)	ALL
36	50600067	LEVER ASSEMBLY, foot-brake, with 11000050 (chrome)	FLH, FLHR, FLHT, FLHTK, FLHTK SHRINE, FLHX, FLTRK, FLTRX
36	50600244	LEVER ASSEMBLY, foot-brake, with 11000050 (black)	FLHRXS, FLHTK, FLHTK SHRINE, FLHXS, FLTRK, FLTRXS

BRAKE LINES AND MODULE, REAR - ABS



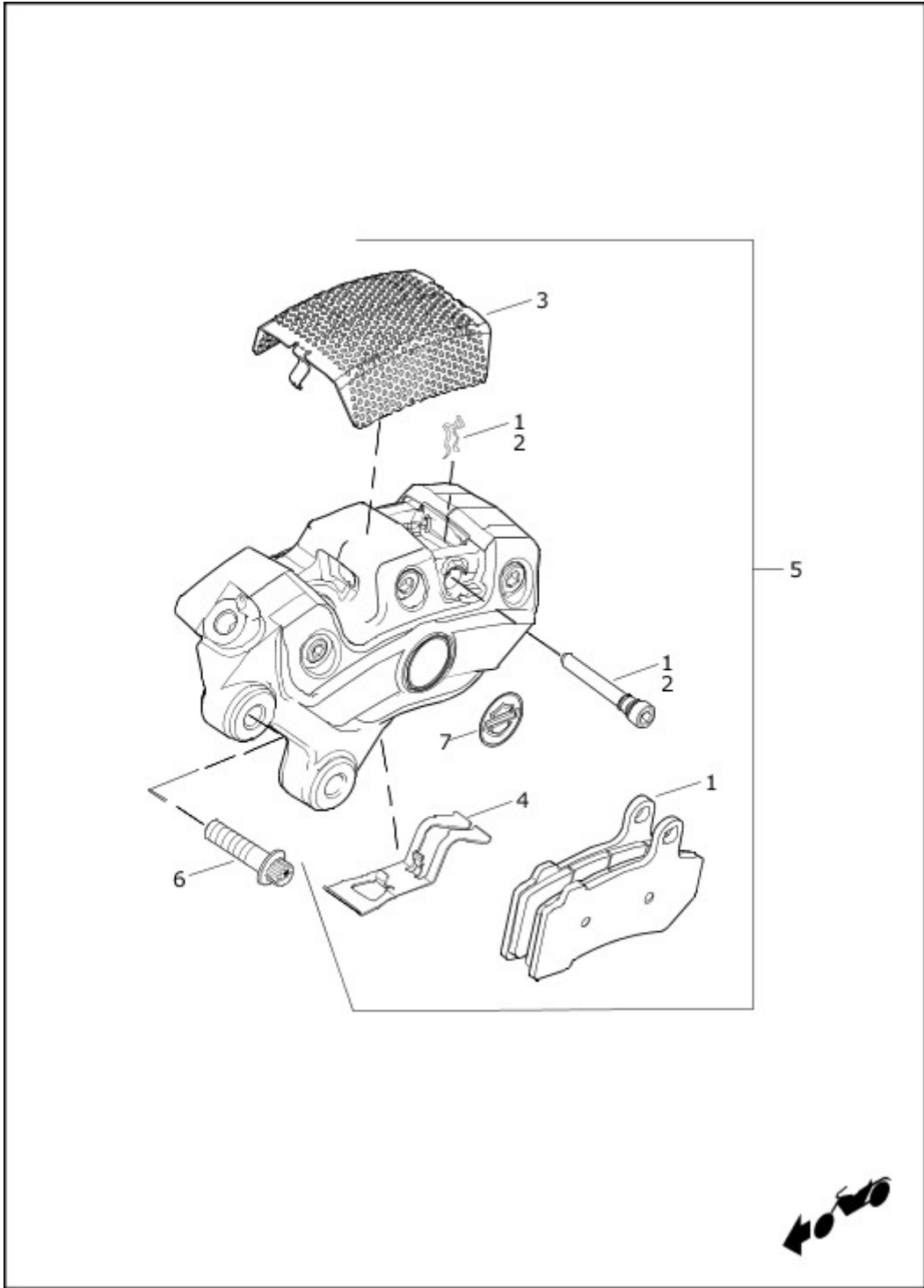
VIEW INTERACTIVE IMAGE

[View interactive table](#)

INDEX NO.	PART NO.	DESCRIPTION	MODEL(S)
1	1009M	SCREW (2)	ALL
2	1062	SCREW	ALL
3	3563	SCREW	ALL

INDEX NO.	PART NO.	DESCRIPTION	MODEL(S)
4	10065	CABLE STRAP	ALL
5	10076	CLAMP	ALL
6	10340B	CLAMP, brake hose (2)	ALL
7	41750-06B	BOLT, BANJO, brake line (ABS) (2)	ALL
8	41751-06A	GASKET (6)	ALL
9	70631-08	CLIP, conduit	ALL
10	10600007	GASKET (2)	ALL
11	10800028	TUBE CLIP (lower)	ALL
12	11600001	BOLT, BANJO, brake line	ALL
13	11600009	BOLT, BANJO, brake line	ALL
14	12100007	GROMMET, mounting (ABS)	ALL
15	32700101	SENSOR, IMU	ALL
16	41100104B	ABS MODULE (EHCU)	ALL
17	41600078	BRACKET, ABS brake line alignment	ALL
18	41600091	TUBE CLIP (upper)	ALL
19	41800012	BRAKE LINE, ABS module to master cylinder, with 10065, 10076, 10800028 and 41600091	ALL
20	41800541	BRAKE LINE, ABS module to caliper	ALL
21	69201924	CADDY, ABS module	ALL

BRAKE CALIPER, FRONT



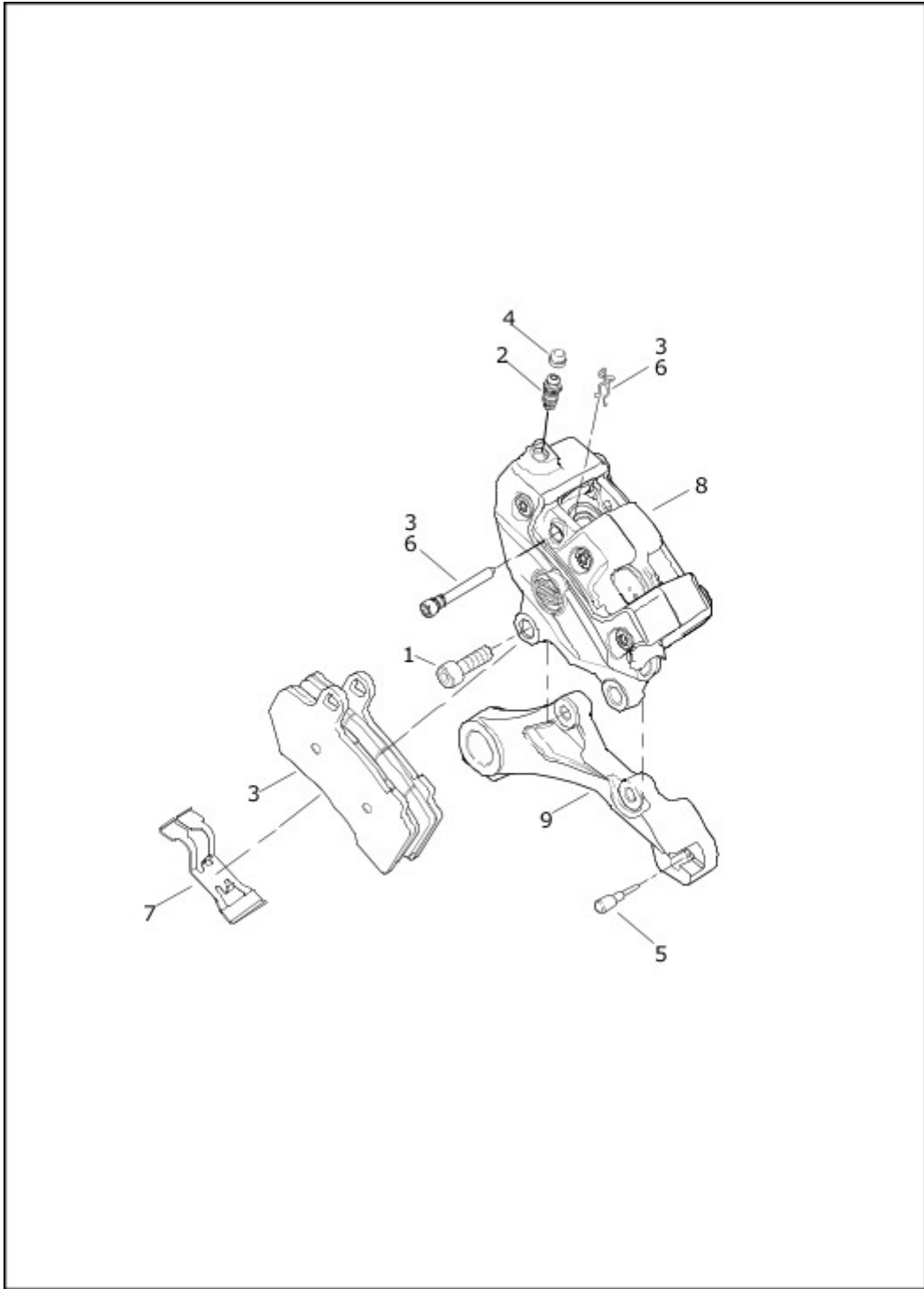
VIEW INTERACTIVE IMAGE

View interactive table

INDEX NO.	PART NO.	DESCRIPTION	MODEL(S)
1	41854-08	PAD AND PIN KIT, with 42849-08 (2)	ALL
2	42849-08	PAD PIN KIT (2)	ALL
3	42851-06	COVER, caliper (2)	ALL
4	42852-06A	PAD SPRING, anti-rattle (2)	ALL

INDEX NO.	PART NO.	DESCRIPTION	MODEL(S)
5	43027-08	CALIPER ASSEMBLY (left) (black)	ALL
5	44023-08	CALIPER ASSEMBLY (right) (black)	ALL
6	44160-00	BOLT, caliper mounting (lower) (4)	ALL
7	44341-08	MEDALLION, brake caliper (2)	ALL

BRAKE CALIPER, REAR



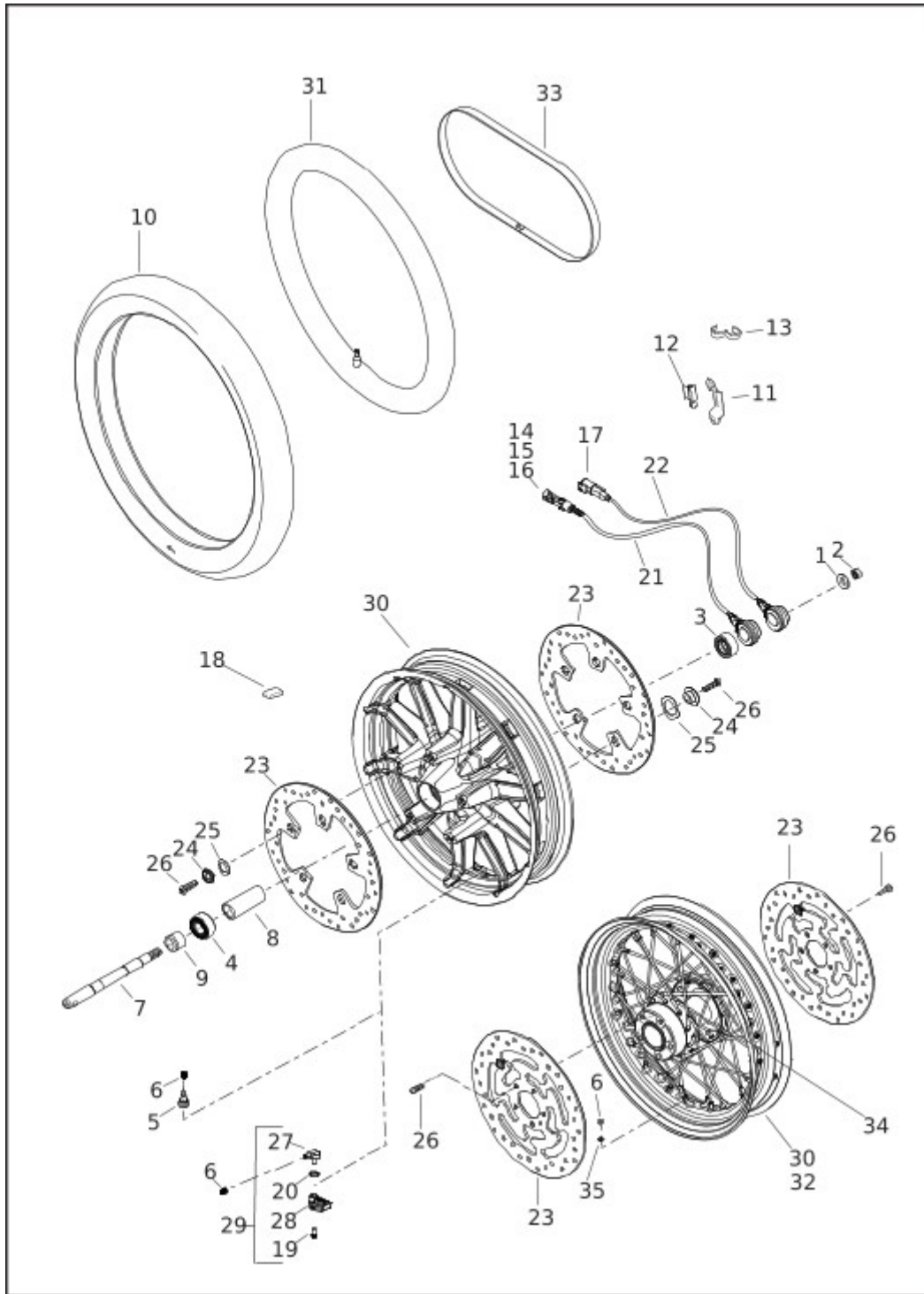
VIEW INTERACTIVE IMAGE

[View interactive table](#)

INDEX NO.	PART NO.	DESCRIPTION	MODEL(S)
1	4597M	SCREW (2)	ALL
2	4890	BLEEDER SCREW	ALL
3	41852-08B	PAD AND PIN KIT	ALL

INDEX NO.	PART NO.	DESCRIPTION	MODEL(S)
4	42853-06	CAP, bleeder screw	ALL
5	42863-06	BUMPER	ALL
6	42865-06B	PAD PIN KIT	ALL
7	42867-06A	SPRING KIT, anti-rattle	ALL
8	44080-08C	CALIPER ASSEMBLY, rear, with 4890, 41852-08B, 42853-06, 42865-06B and 42867-06A (black)	ALL
9	44089-08	BRACKET, reaction, rear brake, with 42863-06	ALL

WHEELS, FRONT (1 OF 2)



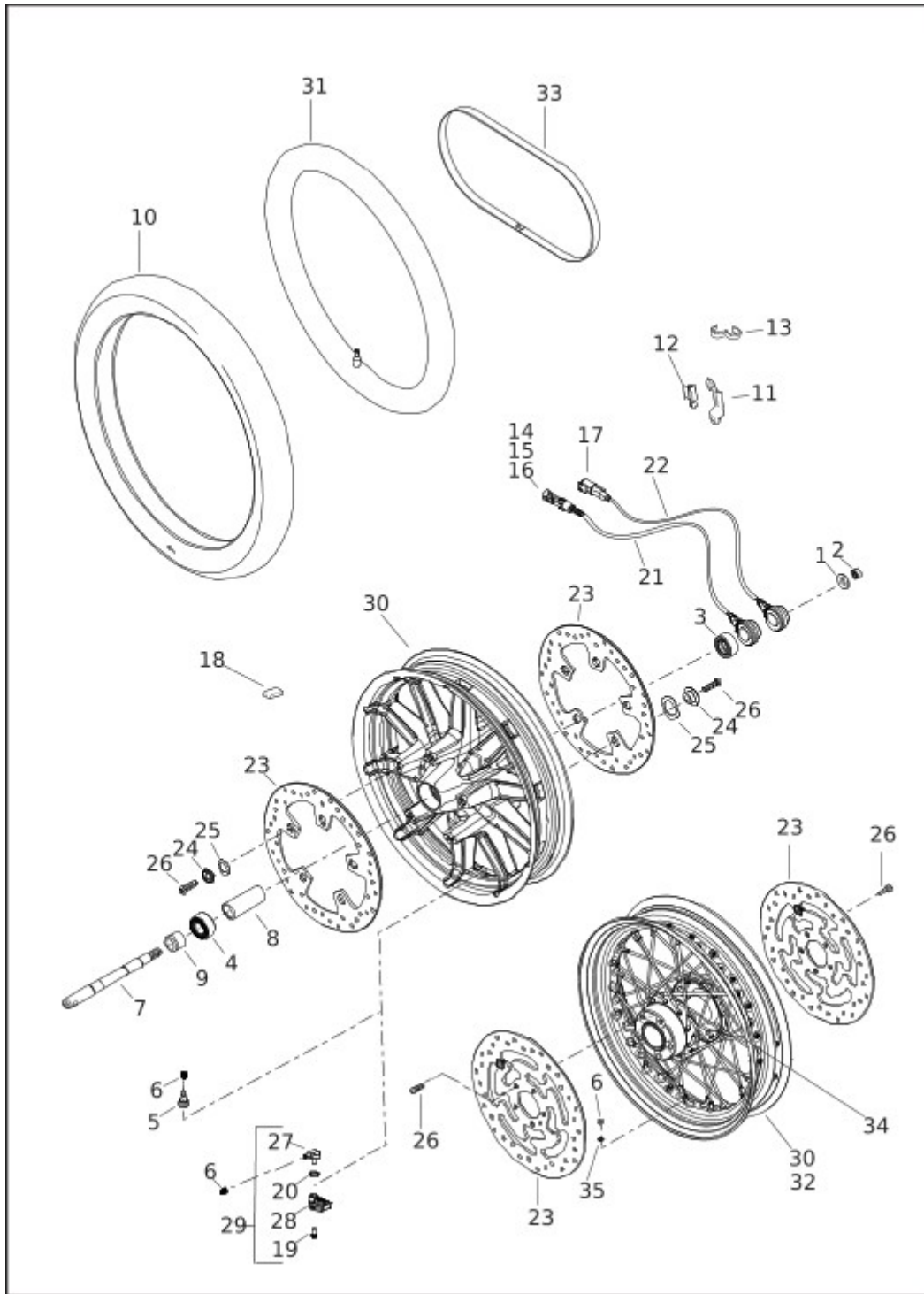
VIEW INTERACTIVE IMAGE

[View interactive table](#)

INDEX NO.	PART NO.	DESCRIPTION	MODEL(S)
1	6594	WASHER	ALL
2	7813A	NUT	ALL
3	9252A	BALL BEARING, with encoder (ABS)	ALL

INDEX NO.	PART NO.	DESCRIPTION	MODEL(S)
4	9276B	BALL BEARING (ABS)	ALL
5	40999-87	VALVE STEM, for cast wheels	ALL
6	41123-79	VALVE CAP	ALL
7	41547-07A	AXLE	ALL
8	41900-08	SLEEVE, bearing spacer	ALL
9	41901-08	SPACER (ABS)	ALL
10	43109-09A	TIRE, black wall, 17 in	FLHT
10	44026-09A	TIRE, black wall, 18 in	FLHR, FLHTK, FLHTK SHRINE, FLTRK
10	43100045	TIRE, black wall, 19 in	FLHRXS, FLHX, FLHXS, FLTRX, FLTRXS
10	43118-92A	TIRE, wide white wall, 16 in	FLH
11	70493-08	BRACKET, wheel speed sensor (ABS)	ALL
12	70494-08	CLIP, wheel speed sensor (ABS)	ALL
13	70631-08	CLIP, conduit (ABS) (3)	ALL
14	72607-08	HOUSING, two-way pin (black)	FLH, FLHT, FLHTK, FLHTK SHRINE, FLHX, FLHXS, FLTRK, FLTRX, FLTRXS
15	72608-08	TERMINAL, pin, 16-20 AWG (2)	FLH, FLHT, FLHTK, FLHTK SHRINE, FLHX, FLHXS, FLTRK, FLTRX, FLTRXS
16	72639-10	SECONDARY LOCK, two-way socket	FLH, FLHT, FLHTK, FLHTK SHRINE, FLHX, FLHXS, FLTRK, FLTRX, FLTRXS
17	74190-98	TERMINAL, pin, 16-20 AWG (2)	FLHR, FLHRXS
18	42300001	WEIGHT, 1/2 oz (black) (3)	FLHR, FLHRXS, FLHT, FLHTK, FLHTK SHRINE, FLHX, FLHXS, FLTRK, FLTRX, FLTRXS
18	95595-84C	WEIGHT, 5 gram (silver) (3)	FLH
19	10201167	SCREW	FLHR, FLHRXS, FLHTK, FLHTK SHRINE, FLHX, FLHXS, FLTRK, FLTRX, FLTRXS
20	11900155	O-RING	FLHR, FLHRXS, FLHTK, FLHTK SHRINE, FLHX, FLHXS, FLTRK, FLTRX, FLTRXS
21	32700015	SENSOR, wheel speed, with 72607-08, 72608-08 and 72639-10 (ABS)	FLH, FLHT, FLHTK, FLHTK SHRINE, FLHX, FLHXS, FLTRK, FLTRX, FLTRXS
22	32700017	SENSOR, wheel speed, with 74190-08 (ABS)	FLHR, FLHRXS

WHEELS, FRONT (2 OF 2)



VIEW INTERACTIVE IMAGE

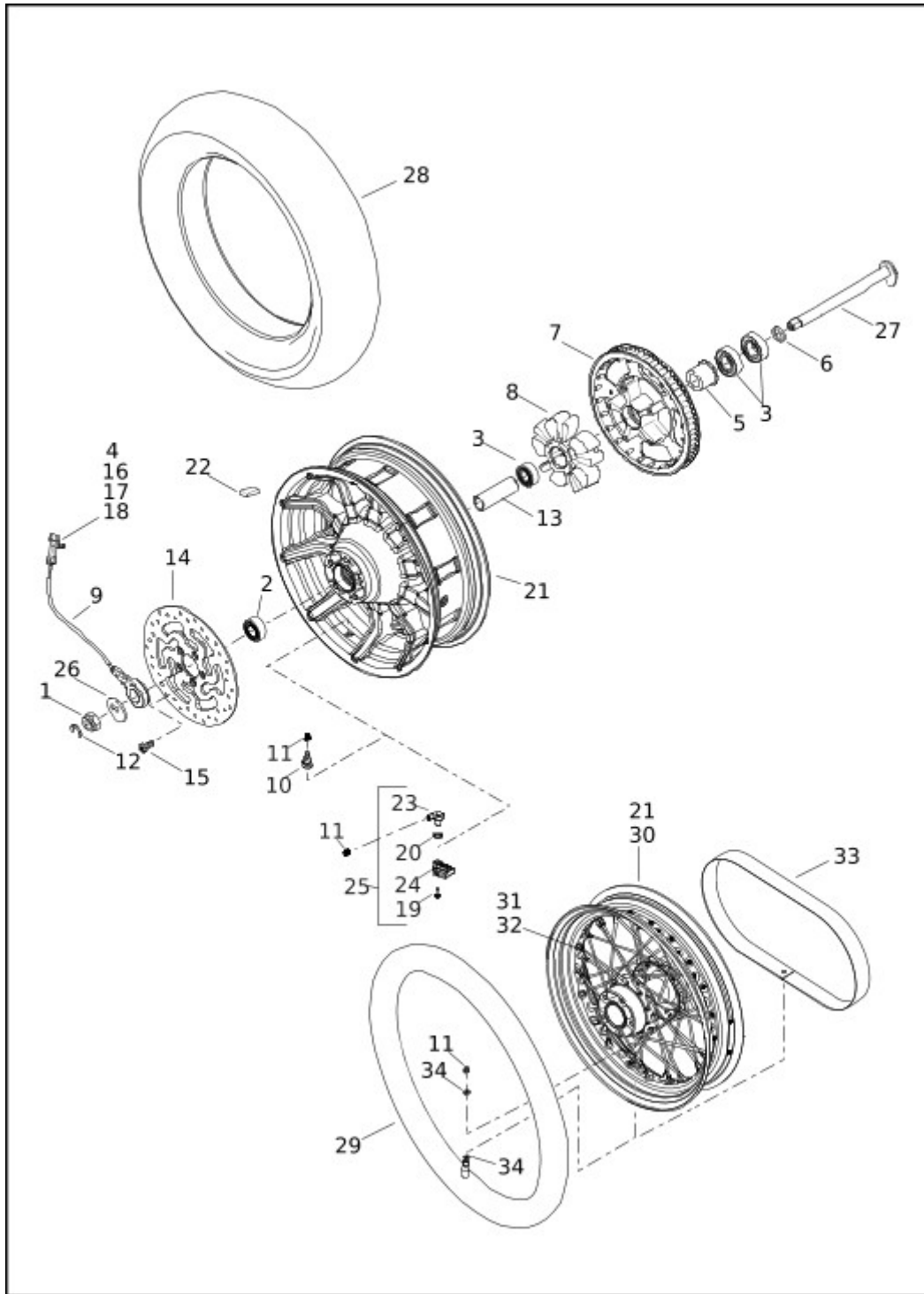
[View interactive table](#)

INDEX NO.	PART NO.	DESCRIPTION	MODEL(S)
23	41500017	BRAKE ROTOR, front (2)	FLHRXS, FLHT, FLHX, FLHXS, FLTRX, FLTRXS
23	41500157	BRAKE ROTOR, front (7 hole) (not shown) (2)	FLHR, FLHTK, FLHTK SHRINE, FLTRK
23	41808-	BRAKE ROTOR, right	FLH

INDEX NO.	PART NO.	DESCRIPTION	MODEL(S)
	08A		
23	41809-08A	BRAKE ROTOR, left	FLH
24	41500018	BUSHING, front rotor (10)	FLH, FLHRXS, FLHT, FLHX, FLHXS, FLTRX, FLTRXS
24	41500018	BUSHING, front rotor (14)	FLHR, FLHTK, FLHTK SHRINE, FLTRK
25	41500019	SPRING, front rotor (10)	FLH, FLHRXS, FLHT, FLHX, FLHXS, FLTRX, FLTRXS
25	41500019	SPRING, front rotor (14)	FLHR, FLHTK, FLHTK SHRINE, FLTRK
26	41500020	SCREW (10)	FLHRXS, FLHT, FLHX, FLHXS, FLTRX, FLTRXS
26	41500020	SCREW (14)	FLHR, FLHTK, FLHTK SHRINE, FLTRK
26	3655A	SCREW (10)	FLH
27	42300141	VALVE STEM	FLHR, FLHRXS, FLHTK, FLHTK SHRINE, FLHX, FLHXS, FLTRK, FLTRX, FLTRXS
28	42300139	MONITOR, sensor (except Japan)	FLHR, FLHRXS, FLHTK, FLHTK SHRINE, FLHX, FLHXS, FLTRK, FLTRX, FLTRXS
28	42300140	MONITOR, sensor (Japan)	FLHR, FLHRXS, FLHTK, FLHXS, FLTRK, FLTRXS
29	42300142	SENSOR, tire pressure, with 10201167, 11900155, 42300139, 42300141 (except Japan)	FLHR, FLHRXS, FLHTK, FLHTK SHRINE, FLHX, FLHXS, FLTRK, FLTRX, FLTRXS
29	42300143	SENSOR, tire pressure, with 10201167, 11900155, 42300140, 42300141 (Japan)	FLHR, FLHRXS, FLHTK, FLHXS, FLTRK, FLTRXS
30	43300533	WHEEL, cast, without bearings and sleeve, 10 spoke, 17 inch (black)	FLHT
30	43300618	WHEEL, cast, without bearings and sleeve, 5 spoke, 19 inch (black)	FLHX, FLTRX
30	43300621	WHEEL, cast, without bearings and sleeve, 7 spoke, 18 inch (gloss black/contrast with clear coat)	FLHTK, FLHTK SHRINE, FLTRK
30	43300624	WHEEL, cast, without bearings and sleeve, 7 spoke, 18 inch (gloss black)	FLHR
30	43300627	WHEEL, cast, without bearings and sleeve, 7 spoke, 18 inch (gloss black)	FLHTK, FLHTK SHRINE, FLTRK
30	43300673	WHEEL, cast, without bearings and sleeve, 10X spoke, 19 inch (black)	FLHRXS, FLHXS, FLTRXS
30	43300841	WHEEL, cast, without bearings and sleeve, 10X spoke, 19 inch (gloss black/machined)	FLHXS, FLTRXS

INDEX NO.	PART NO.	DESCRIPTION	MODEL(S)
30	40960-09	WHEEL, laced, without bearings and sleeve, 16 inch (chrome), with 43085-97	FLH
31	40558-82	INNER TUBE, 16 inch with 41123-79 and 54321-85	FLH
32	43085-97	RIM, 16 inch (chrome)	FLH
33	43147-40	RIM FLAP, 16 inch	FLH
34	43241-05	SPOKE AND NIPPLE KIT, 16 inch, set of 40	FLH
35	54321-85	NUT (2)	FLH

WHEELS, REAR (1 OF 2)



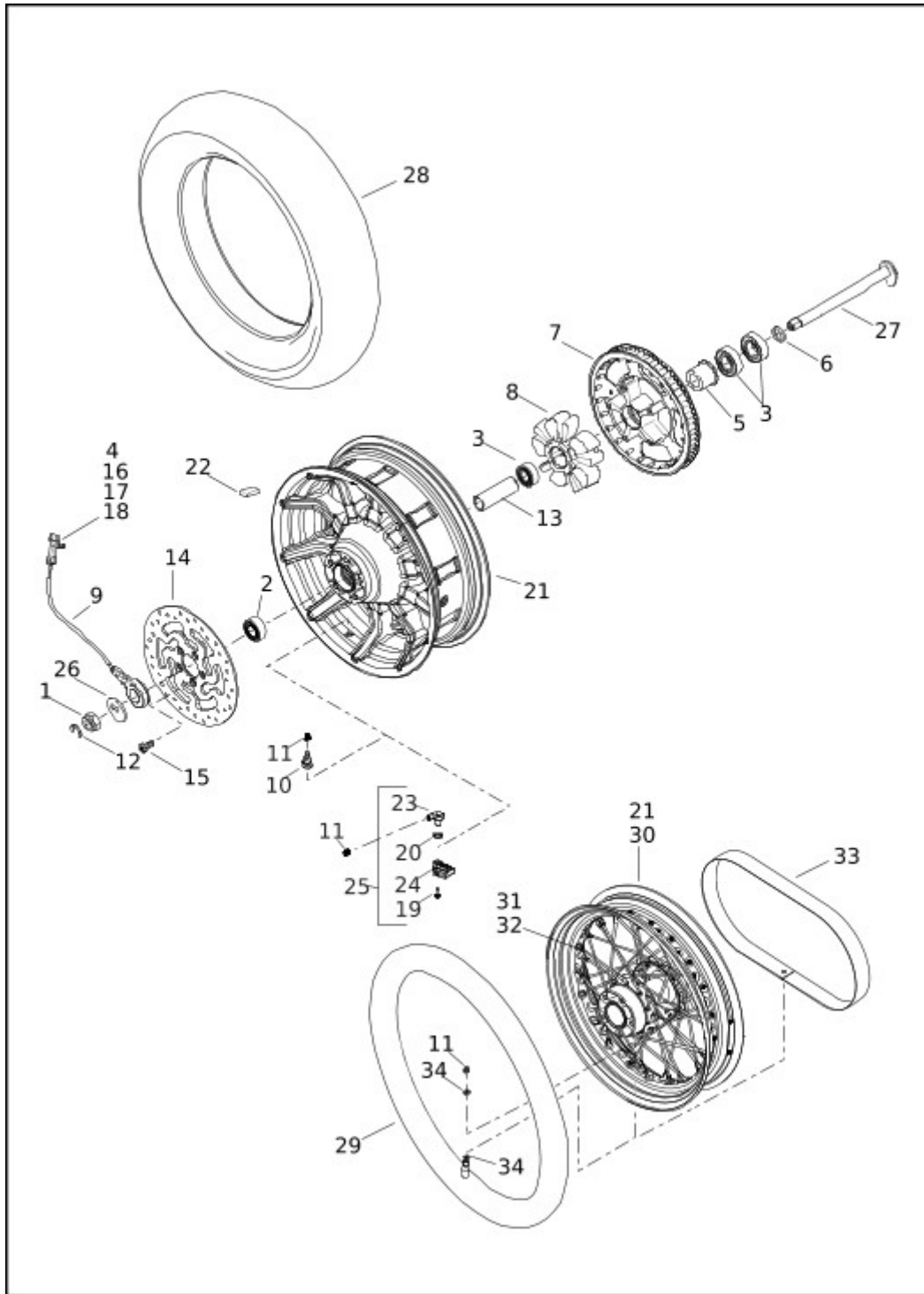
VIEW INTERACTIVE IMAGE

[View interactive table](#)

INDEX NO.	PART NO.	DESCRIPTION	MODEL(S)
1	8020	NUT, slotted	ALL
2	9252A	BALL BEARING, with encoder (ABS)	ALL
3	9276B	BALL BEARING (3)	ALL

INDEX NO.	PART NO.	DESCRIPTION	MODEL(S)
4	10147	CLIP, connector	ALL
5	11843	SPACER, compensator	ALL
6	11848	SPACER	ALL
7	40217-09	SPROCKET AND BEARING ASSEMBLY, rear, 68 teeth, with 9276B and 11843 (black)	ALL
8	40278-09	ISOLATOR, rubber	ALL
9	40615-08	SENSOR, wheel speed, with 10147, 72607-08, 72608-08 and 72639-10 (ABS)	ALL
10	40999-87	VALVE STEM, cast wheels	ALL
11	41123-79	VALVE CAP	ALL
12	41229-08	E-CLIP	ALL
13	41349-07	SLEEVE, bearing spacer	ALL
14	41810-08B	BRAKE DISC	ALL
15	43567-92	SCREW (5)	ALL
16	72607-08	HOUSING, two-way pin (black)	ALL
17	72608-08	TERMINAL, pin, 16-20 AWG (2)	ALL
18	72639-10	SECONDARY LOCK, two-way socket	ALL
19	10201167	SCREW	FLHR, FLHRXS, FLHTK, FLHTK SHRINE, FLHX, FLHXS, FLTRK, FLTRX, FLTRXS
20	11900155	O-RING	FLHR, FLHRXS, FLHTK, FLHTK SHRINE, FLHX, FLHXS, FLTRK, FLTRX, FLTRXS

WHEELS, REAR (2 OF 2)



VIEW INTERACTIVE IMAGE

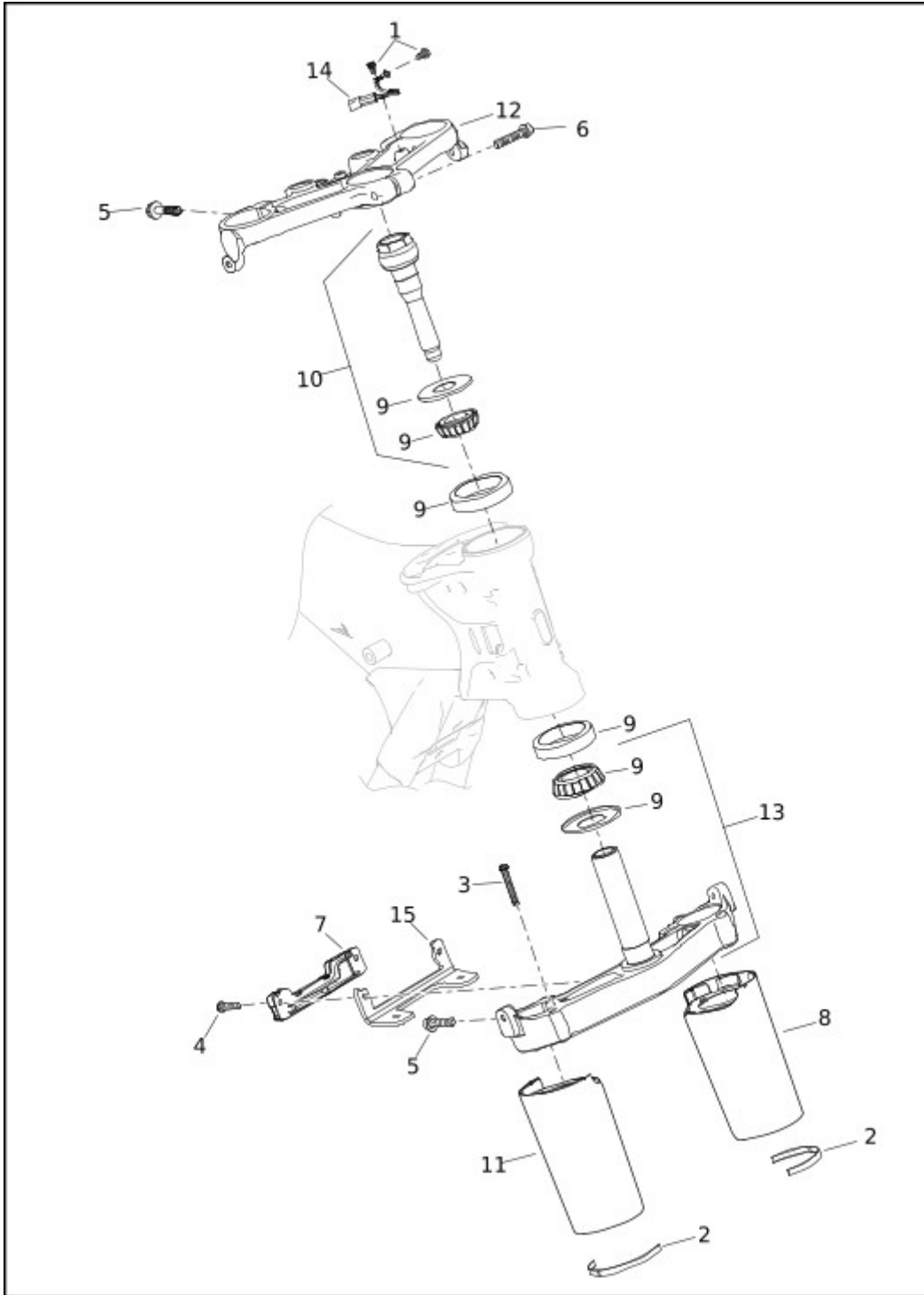
[View interactive table](#)

INDEX NO.	PART NO.	DESCRIPTION	MODEL(S)
21	40900528	WHEEL, cast, without bearings and sleeve, 10 spoke, 16 in (black)	FLHT
21	40900594	WHEEL, cast, without bearings and sleeve, 5 spoke, 18 in (black)	FLHX, FLTRX

INDEX NO.	PART NO.	DESCRIPTION	MODEL(S)
21	40900597	WHEEL, cast, without bearings and sleeve, 7 spoke, 18 in (gloss black/contrast with clear coat)	FLHTK, FLHTK SHRINE, FLTRK
21	40900600	WHEEL, cast, without bearings and sleeve, 7 spoke, 18 in (gloss black)	FLHR
21	40900603	WHEEL, cast, without bearings and sleeve, 7 spoke, 18 in (gloss black)	FLHTK, FLHTK SHRINE, FLTRK
21	40900661	WHEEL, cast, without bearings and sleeve, 10X spoke, 18 in (gloss black)	FLHRXS, FLHXS, FLTRXS
21	40900822	WHEEL, cast, without bearings and sleeve, 10X spoke, 18 in (gloss black machined)	FLHXS, FLTRXS
21	41052-09	WHEEL, laced, without bearings and sleeve, 16 inch with 41445-09	FLH
22	42300001	WEIGHT, 1/2 oz (black) (3)	FLHR, FLHRXS, FLHT, FLHTK, FLHTK SHRINE, FLHX, FLHXS, FLTRK, FLTRX, FLTRXS
22	95595-84C	WEIGHT, 5 gram (silver) (3)	FLH
23	42300141	VALVE STEM	FLHR, FLHRXS, FLHTK, FLHTK SHRINE, FLHX, FLHXS, FLTRK, FLTRX, FLTRXS
24	42300139	MONITOR, sensor (except Japan)	FLHR, FLHRXS, FLHTK, FLHTK SHRINE, FLHX, FLHXS, FLTRK, FLTRX, FLTRXS
24	42300140	MONITOR, sensor (Japan)	FLHR, FLHRXS, FLHTK, FLHXS, FLTRK, FLTRX, FLTRXS
25	42300142	SENSOR, tire pressure, with 10201167, 11900155, 42300139, 42300141 (except Japan)	FLHR, FLHRXS, FLHTK, FLHTK SHRINE, FLHX, FLHXS, FLTRK, FLTRX, FLTRXS
25	42300143	SENSOR, tire pressure, with 10201167, 11900155, 42300140, 42300141 (Japan)	FLHR, FLHRXS, FLHTK, FLHXS, FLTRK, FLTRX, FLTRXS
26	43000203	AXLE CAM	ALL
27	43000207	REAR AXLE	ALL
28	43200027	TIRE, 16 in black wall	FLHT
28	43200045	TIRE, 18 in black wall	FLHR, FLHRXS, FLHTK, FLHTK SHRINE, FLHX, FLHXS, FLTRK, FLTRX, FLTRXS
28	43200054	TIRE, 16 inch 180/65B16	FLH
29	40592-09	INNER TUBE, 16 inch with 54321-85	FLH
30	41445-09	RIM, 16 inch (chrome)	FLH
31	41746-09	SPOKE AND NIPPLE KIT, 16 inch, set of 20, short-head	FLH

INDEX NO.	PART NO.	DESCRIPTION	MODEL(S)
32	42018-09	SPOKE AND NIPPLE KIT, 16 inch, set of 20, long-head	FLH
33	43099-09	RIM FLAP, 16 inch	FLH
34	54321-85	NUT (2)	FLH

FORK BRACKETS, FRONT



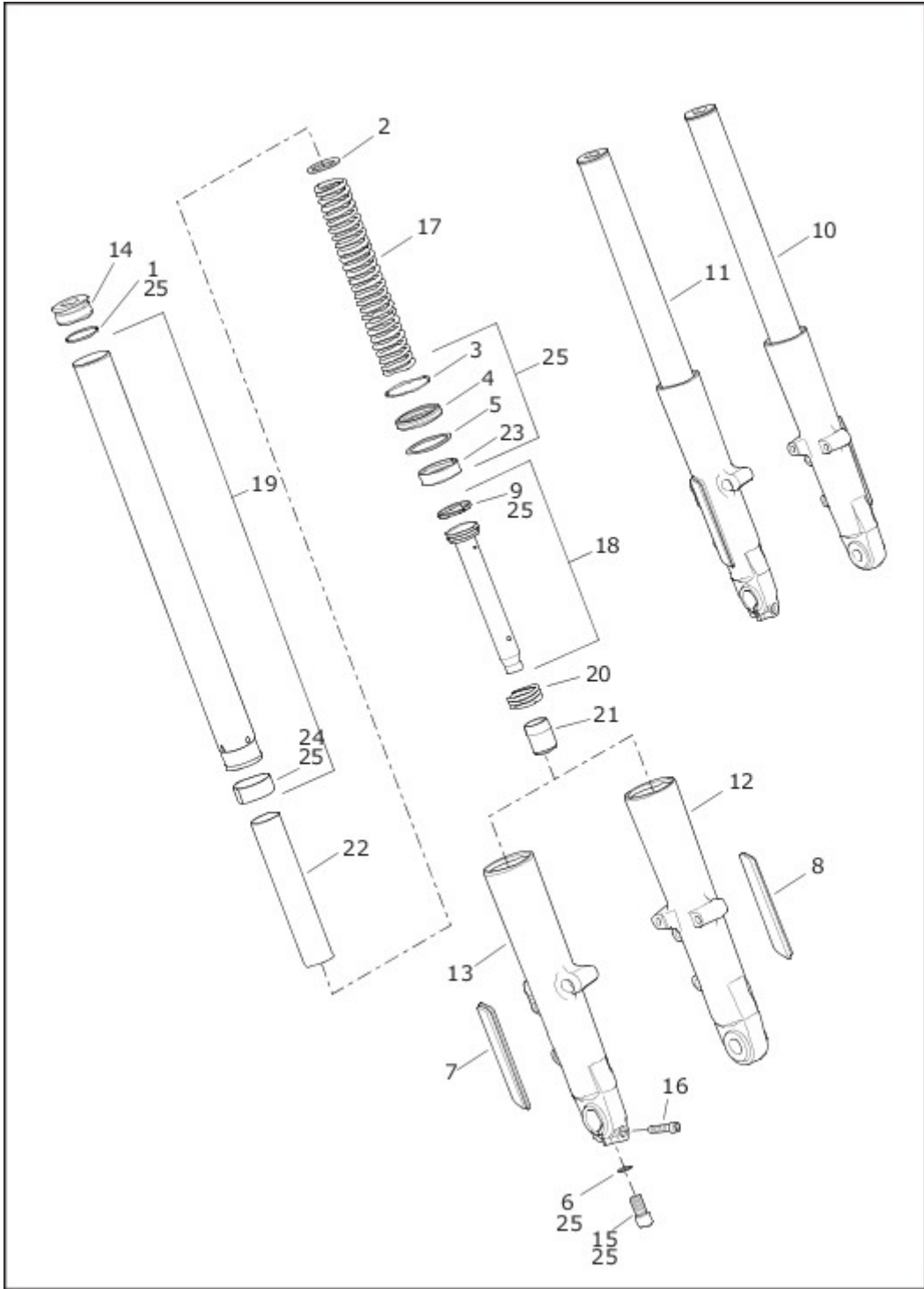
VIEW INTERACTIVE IMAGE

[View interactive table](#)

INDEX NO.	PART NO.	DESCRIPTION	MODEL(S)
1	4240	SCREW (2)	ALL
2	44854-05	RUBBER PAD (HDI) (2)	FLHRXS
3	10200042	SCREW (4)	ALL

INDEX NO.	PART NO.	DESCRIPTION	MODEL(S)
4	10200223	SCREW (Except HD3) (2)	ALL
4	10200706	SCREW (HD3) (2)	FLHTK, FLHXS, FLTRXS
5	10500022	SCREW (6)	ALL
6	10500036	SCREW	ALL
7	41600029A	BRACKET, brakeline, front (Except HD3)	ALL
7	41600316	BRACKET, brakeline, front (HD3)	FLHTK, FLHXS, FLTRXS
8	45600003	COVER ASSEMBLY, fork tube (left) (chrome)	FLH, FLHR, FLHT, FLHTK, FLHTK SHRINE, FLHX, FLHXS, FLTRK, FLTRX, FLTRXS
8	45600054	COVER ASSEMBLY, fork tube (left) (black)	FLHRXS, FLHTK, FLHTK SHRINE, FLHXS, FLTRK, FLTRXS
9	45700009	BEARING KIT, steering head, with bearing cups, bearing cones and dirt guards	ALL
10	45700020A	STEM ASSEMBLY, upper steering, with bearing cone and dirt guard	ALL
11	45800023	COVER ASSEMBLY, fork tube (right) (chrome)	FLH, FLHR, FLHT, FLHTK, FLHTK SHRINE, FLHX, FLHXS, FLTRK, FLTRX, FLTRXS
11	45600055	COVER ASSEMBLY, fork tube (right) (black)	FLHRXS, FLHTK, FLHTK SHRINE, FLHXS, FLTRK, FLTRXS
12	45900024	BRACKET, upper fork stem	ALL
13	45900091A	BRACKET ASSEMBLY, lower fork, with bearing cone and dirt guard	ALL
14	69200224	WIRE HARNESS, triple clamp, ground jumper	ALL
15	67900582	BRACKET (HD3)	FLHTK, FLHXS, FLTRXS

FORK, FRONT



VIEW INTERACTIVE IMAGE

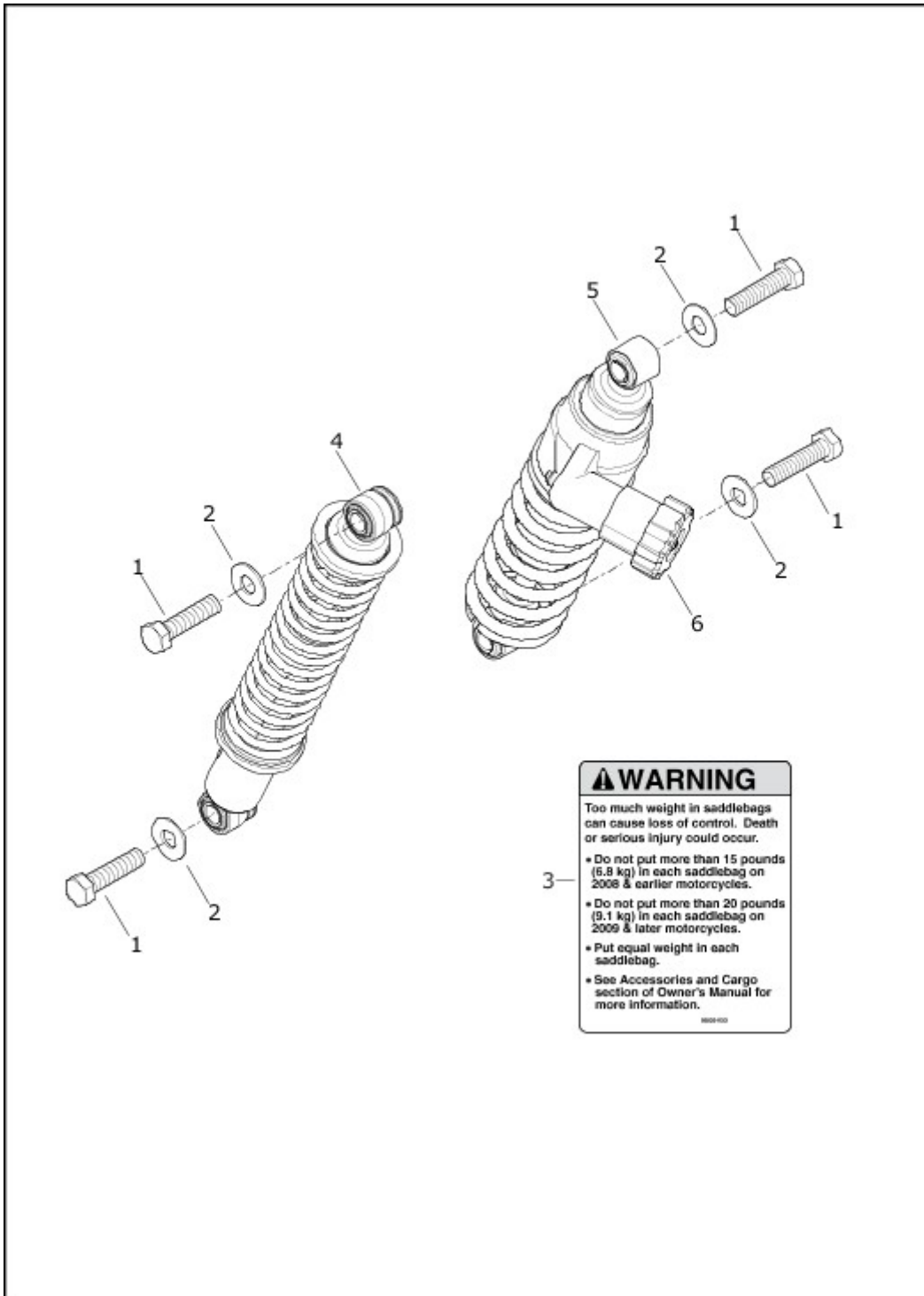
[View interactive table](#)

INDEX NO.	PART NO.	DESCRIPTION	MODEL(S)
1	46508-01	O-RING (2)	ALL
2	46509-01	WASHER (2)	ALL
3	46513-01	RING, stopper (2)	ALL

INDEX NO.	PART NO.	DESCRIPTION	MODEL(S)
4	46514-01A	OIL SEAL (2)	ALL
5	46515-01	SPACER, seal (2)	ALL
6	46615-06	PACKING SEAL (2)	ALL
7	59481-00	REFLECTOR (right) (amber)	FLH, FLHR, FLHT, FLHTK, FLHTK SHRINE, FLHX, FLHXS, FLTRK, FLTRX, FLTRXS
7	69861-07	REFLECTOR, with black base (right) (amber)	FLHRXS, FLHXS, FLTRXS
8	59482-00	REFLECTOR (left) (amber)	FLH, FLHR, FLHT, FLHTK, FLHTK SHRINE, FLHX, FLHXS, FLTRK, FLTRX, FLTRXS
8	69862-07	REFLECTOR, with black base (left) (amber)	FLHRXS, FLHXS, FLTRXS
9	22000031	PISTON RING (2)	ALL
10	45400102	FORK ASSEMBLY, complete (left)	FLH, FLHT, FLHTK, FLHTK SHRINE, FLHX, FLHXS, FLTRK, FLTRX, FLTRXS
10	45400181	FORK ASSEMBLY, complete (left)	FLHR
10	45400195	FORK ASSEMBLY, complete (left) (black)	FLHTK, FLHTK SHRINE, FLHXS, FLTRK, FLTRXS
10	45400197	FORK ASSEMBLY, complete (left) (black)	FLHRXS
11	45400103	FORK ASSEMBLY, complete (right)	FLH, FLHT, FLHTK, FLHTK SHRINE, FLHX, FLHXS, FLTRK, FLTRX, FLTRXS
11	45400182	FORK ASSEMBLY, complete (right)	FLHR
11	45400196	FORK ASSEMBLY, complete (right) (black)	FLHTK, FLHTK SHRINE, FLHXS, FLTRK, FLTRXS
11	45400198	FORK ASSEMBLY, complete (right) (black)	FLHRXS
12	45500109	SLIDER, fork (left)	FLH, FLHR, FLHT, FLHTK, FLHTK SHRINE, FLHX, FLHXS, FLTRK, FLTRX, FLTRXS
12	45500176B	SLIDER, fork (left) (black)	FLHRXS, FLHXS, FLTRXS
13	45500111	SLIDER, fork (right)	FLH, FLHR, FLHT, FLHTK, FLHTK SHRINE, FLHX, FLHXS, FLTRK, FLTRX, FLTRXS
13	45500175B	SLIDER, fork (right) (black)	FLHRXS, FLHXS, FLTRXS
14	45500117	BOLT, fork (2)	ALL
15	45500118	SCREW (2)	ALL
16	45500132	SCREW (right)	ALL
17	45500337	SPRING, fork (2)	FLH, FLHT, FLHTK, FLHTK SHRINE, FLHX, FLHXS, FLTRK, FLTRX, FLTRXS

INDEX NO.	PART NO.	DESCRIPTION	MODEL(S)
17	45500456	SPRING, fork (2)	FLHR, FLHRXS
18	45500339	DAMPER TUBE, with 22000031 (2)	ALL
19	45500341	FORK PIPE ASSEMBLY, with 45500424 (2)	ALL
20	45500396	SPRING, rebound (2)	ALL
21	45500397	OIL LOCK PIECE (2)	ALL
22	45500398	COLLAR, spring (2)	ALL
23	45500421	BUSHING GUIDE (2)	ALL
24	45500424	BUSHING, slider (2)	ALL
25	91700025A	FORK REBUILD KIT, with 1, 3, 4, 5, 6, 9, 15, 23 and 24 (2)	ALL

SHOCK ABSORBERS, REAR



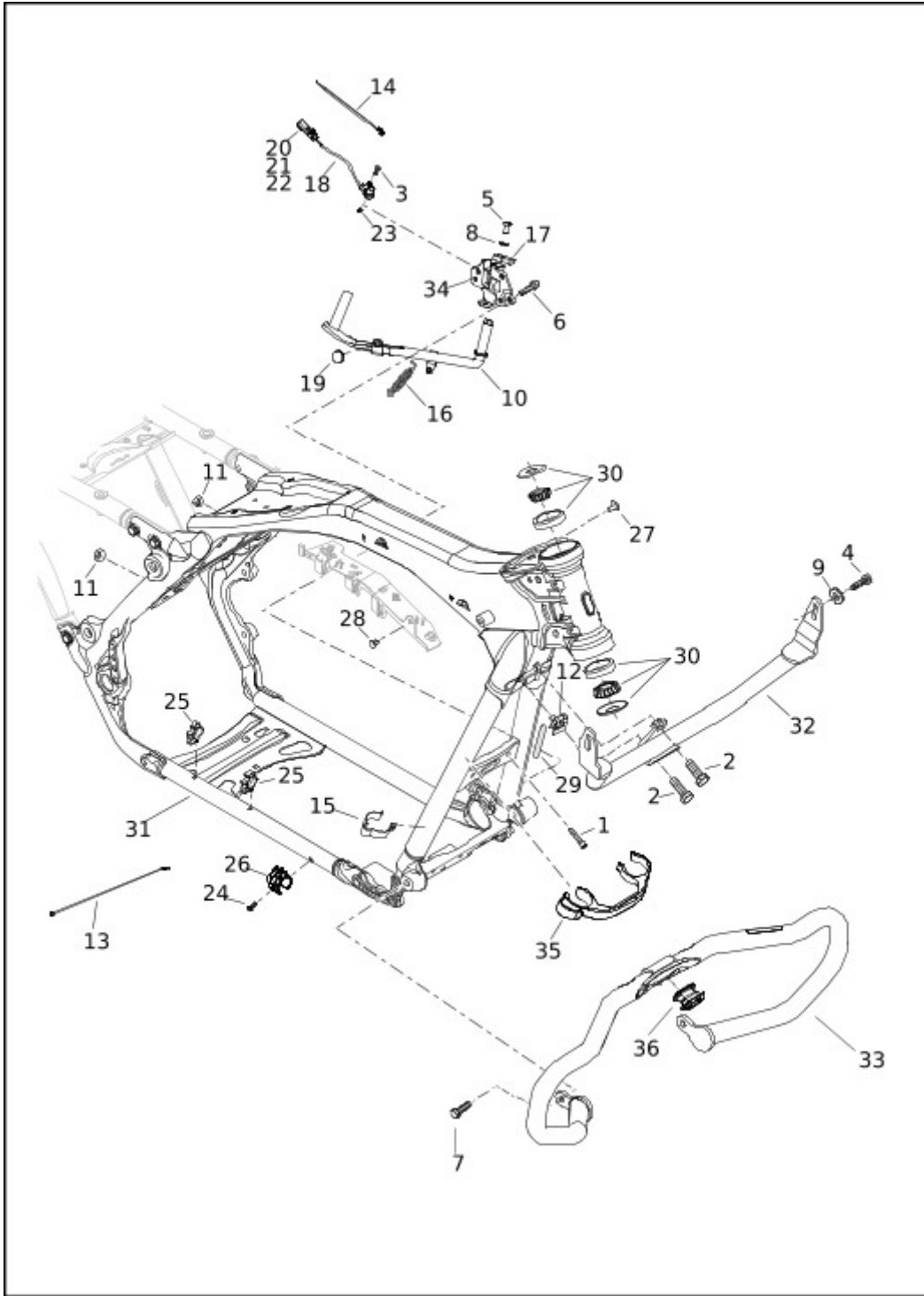
VIEW INTERACTIVE IMAGE

View interactive table

INDEX NO.	PART NO.	DESCRIPTION	MODEL(S)
1	3607	BOLT (4)	ALL
2	6590HW	WASHER (4)	ALL
3	90820-93D	LABEL, saddlebag load limits, inside right saddlebag	ALL

INDEX NO.	PART NO.	DESCRIPTION	MODEL(S)
4	54000093	REAR SHOCK ABSORBER (right)	FLHR, FLHTK, FLHTK SHRINE, FLTRK
4	54000114	REAR SHOCK ABSORBER (right)	FLH, FLHRXS, FLHT, FLHX, FLHXS, FLTRX, FLTRXS
5	54000094	REAR SHOCK ABSORBER, with 54000141 (left)	FLHTK, FLHTK SHRINE, FLTRK
5	54000095	REAR SHOCK ABSORBER, with 54000141 (left)	FLHR
5	54000096	REAR SHOCK ABSORBER, with 54000141 (left)	FLH, FLHRXS, FLHT, FLHX, FLHXS, FLTRX, FLTRXS
6	54000141	KNOB SERVICE KIT	ALL

FRAME AND JIFFY STAND - FLHRXS, FLHXS, FLTRXS



VIEW INTERACTIVE IMAGE

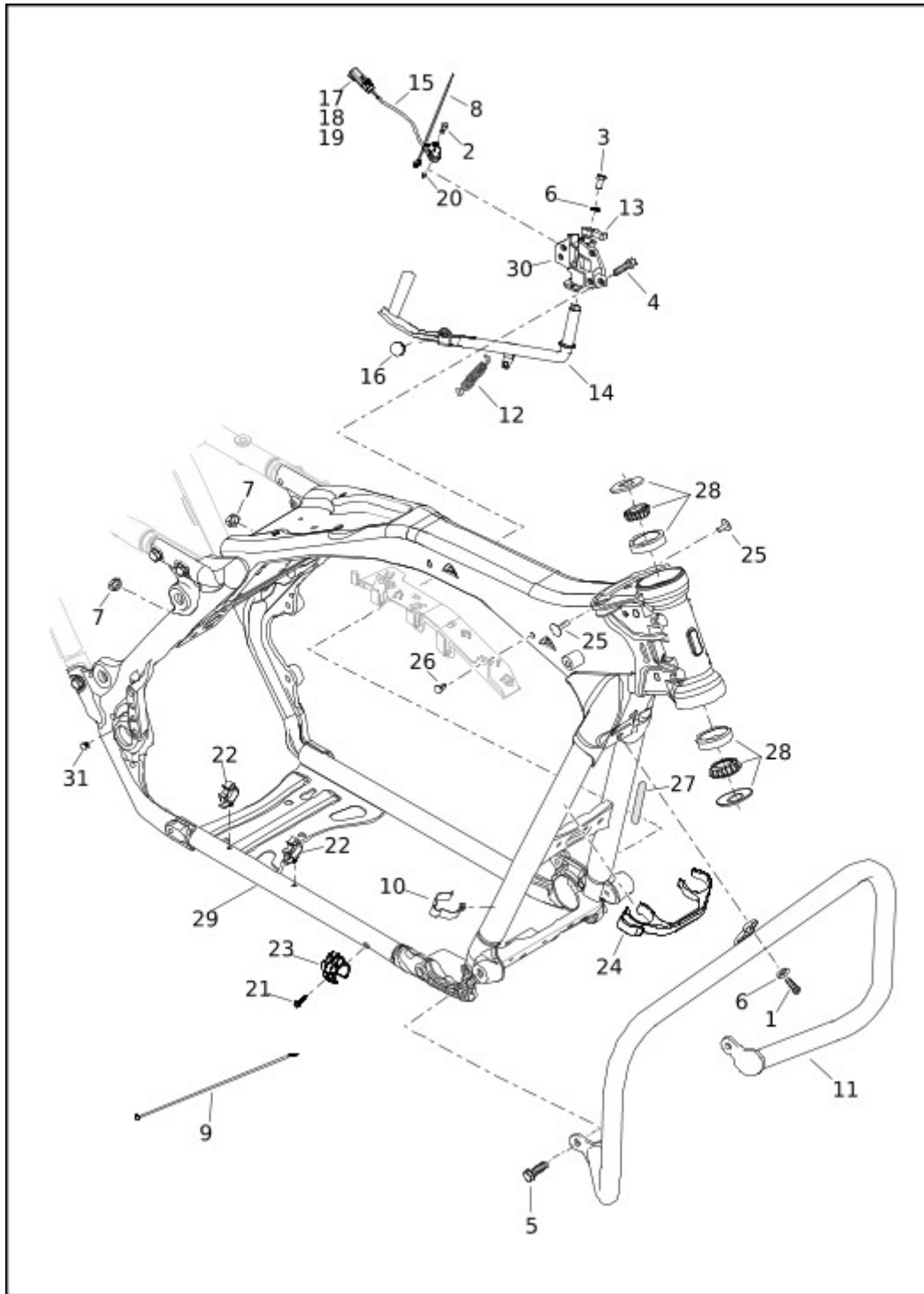
[View interactive table](#)

INDEX NO.	PART NO.	DESCRIPTION	MODEL(S)
1	882	SCREW (2)	FLHRXS, FLHXS, FLTRXS
2	2479	SCREW (2)	FLTRXS
3	3594	SCREW (England, HDI, HD2)	FLHRXS, FLHXS,

INDEX NO.	PART NO.	DESCRIPTION	MODEL(S)
			FLTRXS
4	3787	SCREW (2)	FLTRXS
5	3445	BOLT	FLHRXS, FLHXS, FLTRXS
6	4688	SCREW (2)	FLHRXS, FLHXS, FLTRXS
7	4924	SCREW (2)	FLHRXS, FLHXS, FLTRXS
8	6116	WASHER	FLHRXS, FLHXS, FLTRXS
9	6703	WASHER (2)	FLTRXS
10	50000149	LEG, jiffy stand (black)	FLHRXS, FLHXS, FLTRXS
11	7495	NUT (2)	FLHRXS, FLHXS, FLTRXS
12	8144	NUT CLIP	FLTRXS
13	10039	CABLE STRAP (6)	FLHRXS, FLHXS, FLTRXS
14	10177	CABLE STRAP, anchored, jiffy stand	FLHRXS, FLHXS, FLTRXS
15	10264	CLIP, clutch line	FLHRXS, FLHXS, FLTRXS
16	49725-07A	SPRING, jiffy stand	FLHRXS, FLHXS, FLTRXS
17	50015-74A	LEG STOP	FLHRXS, FLHXS, FLTRXS
18	50126-08B	SENSOR, jiffy stand, with 72169-07, 72511-07BK and 73213-07 (England, HDI, HD2)	FLHRXS, FLHXS, FLTRXS
19	50245-07	BUMPER, jiffy stand	FLHRXS, FLHXS, FLTRXS
20	72169-07	TERMINAL, pin, 16-20 AWG (England, HDI, HD2) (3)	FLHRXS, FLHXS, FLTRXS
21	72511-07BK	HOUSING, three-way pin (black) (England, HDI, HD2)	FLHRXS, FLHXS, FLTRXS
22	73213-07	RETAINER, anchored (England, HDI, HD2)	FLHRXS, FLHXS, FLTRXS
23	90520-07	HOLE PLUG, jiffy stand (except England, HDI, HD2)	FLHRXS, FLHXS, FLTRXS

INDEX NO.	PART NO.	DESCRIPTION	MODEL(S)
24	10200546	SCREW	FLHRXS, FLHXS, FLTRXS
25	10800025A	CLIP, conduit, rosebud (2)	FLHRXS, FLHXS, FLTRXS
26	12200221	CLIP, retaining	FLHRXS, FLHXS, FLTRXS
27	12600067	FASTENER, plastic (2)	FLHRXS, FLHXS, FLTRXS
28	12600197	FASTENER, plastic (2)	FLHRXS, FLHXS, FLTRXS
29	14000827	CLEAR OVERLAY, VIN label (Japan)	FLHRXS, FLHXS, FLTRXS
30	45700009	BEARING KIT, steering head, with bearing cups, bearing cones and dirt guards	FLHRXS, FLHXS, FLTRXS
31	47000088BHP	FRAME, main, with bearing cups (Also order 45700009)	FLHRXS, FLHXS, FLTRXS
32	47200354	BRACKET (black)	FLTRXS
33	49000105A	ENGINE GUARD (chrome)	FLHXS, FLTRXS
33	49000114A	ENGINE GUARD (black)	FLHRXS, FLHXS, FLTRXS
34	50000143	BRACKET, jiffy stand (black)	FLHRXS, FLHXS, FLTRXS
35	12200226	CLIP	FLHRXS, FLHXS, FLTRXS
36	12100162	GROMMET	FLHXS

FRAME AND JIFFY STAND - FLHR, FLHT, FLHTK, FLHX, FLH, FLTRK, FLTRX (1 OF 2)



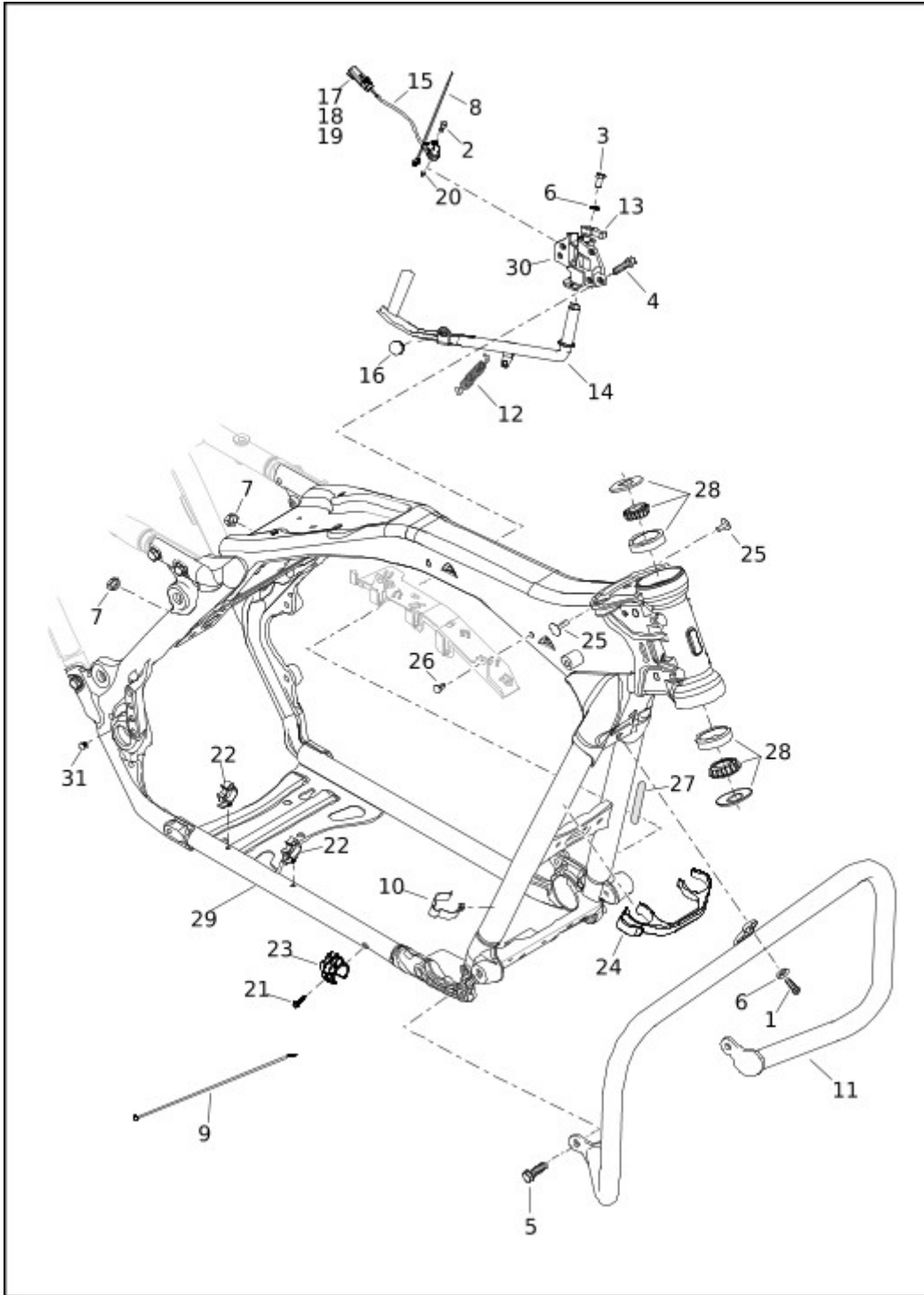
VIEW INTERACTIVE IMAGE

[View interactive table](#)

INDEX NO.	PART NO.	DESCRIPTION	MODEL(S)
1	2708A	SCREW	FLH, FLHR, FLHT, FLHTK, FLHTK SHRINE, FLHX, FLTRK, FLTRX
2	3594	SCREW (England, HDI, Brazil)	FLH, FLHR, FLHT, FLHTK, FLHTK SHRINE, FLHX, FLTRK, FLTRX

INDEX NO.	PART NO.	DESCRIPTION	MODEL(S)
3	3445	BOLT	FLH, FLHR, FLHT, FLHTK, FLHTK SHRINE, FLHX, FLTRK, FLTRX
4	4688	SCREW (2)	FLH, FLHR, FLHT, FLHTK, FLHTK SHRINE, FLHX, FLTRK, FLTRX
5	4924	SCREW (2)	FLH, FLHR, FLHT, FLHTK, FLHTK SHRINE, FLHX, FLTRK, FLTRX
6	6116	WASHER (2)	FLH, FLHR, FLHT, FLHTK, FLHTK SHRINE, FLHX, FLTRK, FLTRX
7	7495	NUT (2)	FLH, FLHR, FLHT, FLHTK, FLHTK SHRINE, FLHX, FLTRK, FLTRX
8	10177	CABLE STRAP, anchored, jiffy stand (England, HDI)	FLH, FLHR, FLHT, FLHTK, FLHTK SHRINE, FLHX, FLTRK, FLTRX
9	10039	CABLE STRAP (9)	FLH, FLHR, FLHT, FLHTK, FLHTK SHRINE, FLHX, FLTRK, FLTRX
10	10264	CLIP, clutch line	FLH, FLHR, FLHT, FLHTK, FLHTK SHRINE, FLHX, FLTRK, FLTRX
11	49184-09A	GUARD, with 2708A, 6116 and label (chrome)	FLH, FLHR, FLHT, FLHTK, FLHTK SHRINE, FLHX, FLTRK, FLTRX
11	49050-09A	GUARD, with 2708A, 6116 and label (black)	FLHTK, FLHTK SHRINE, FLTRK
12	49725-07A	SPRING, jiffy stand	FLH, FLHR, FLHT, FLHTK, FLHTK SHRINE, FLHX, FLTRK, FLTRX
13	50015-74A	LEG STOP	FLH, FLHR, FLHT, FLHTK, FLHTK SHRINE, FLHX, FLTRK, FLTRX
14	50075-07A	LEG, jiffy stand	FLH, FLHR, FLHT, FLHTK, FLHTK SHRINE, FLHX, FLTRK, FLTRX
15	50126-08B	SENSOR, jiffy stand, with 72169-07, 72511-07BK and 73213-07 (England, HDI, Brazil)	FLH, FLHR, FLHT, FLHTK, FLHTK SHRINE, FLHX, FLTRK, FLTRX

FRAME AND JIFFY STAND - FLHR, FLHT, FLHTK, FLHX, FLH, FLTRK, FLTRX (2 OF 2)



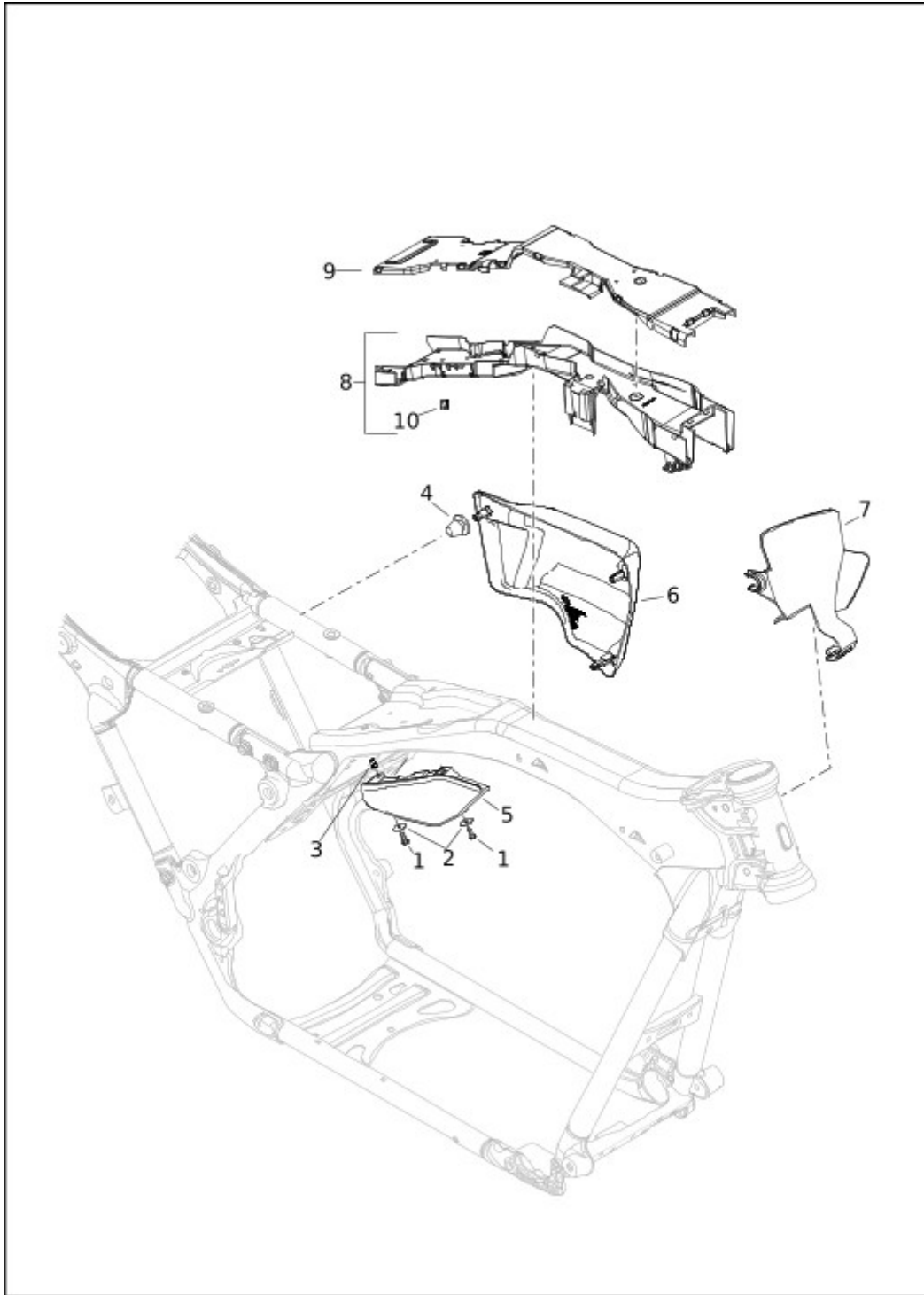
VIEW INTERACTIVE IMAGE

[View interactive table](#)

INDEX NO.	PART NO.	DESCRIPTION	MODEL(S)
16	50245-07	BUMPER, jiffy stand leg	FLH, FLHR, FLHT, FLHTK, FLHTK SHRINE, FLHX, FLTRK, FLTRX
17	72169-07	TERMINAL, pin, 16-20 AWG (England, HDI, Brazil) (3)	FLH, FLHR, FLHT, FLHTK, FLHTK SHRINE, FLHX, FLTRK, FLTRX

INDEX NO.	PART NO.	DESCRIPTION	MODEL(S)
18	72511-07BK	HOUSING, three-way pin (black) (England, HDI, Brazil)	FLH, FLHR, FLHT, FLHTK, FLHTK SHRINE, FLHX, FLTRK, FLTRX
19	73213-07	RETAINER, anchored (England, HDI, Brazil)	FLH, FLHR, FLHT, FLHTK, FLHTK SHRINE, FLHX, FLTRK, FLTRX
20	90520-07	HOLE PLUG, jiffy stand (except England, HDI, Brazil)	FLH, FLHR, FLHT, FLHTK, FLHTK SHRINE, FLHX, FLTRK, FLTRX
21	10200546	SCREW	FLH, FLHR, FLHT, FLHTK, FLHTK SHRINE, FLHX, FLTRK, FLTRX
22	10800025A	CLIP, conduit, anchored (2)	FLH, FLHR, FLHT, FLHTK, FLHTK SHRINE, FLHX, FLTRK, FLTRX
23	12200221	CLIP, retaining	FLH, FLHR, FLHT, FLHTK, FLHTK SHRINE, FLHX, FLTRK, FLTRX
24	12200226	CLIP	FLH, FLHR, FLHT, FLHTK, FLHTK SHRINE, FLHX, FLTRK, FLTRX
25	12600067	FASTENER, plastic (2)	FLH, FLHR, FLHT, FLHTK, FLHTK SHRINE, FLHX
26	12600197	FASTENER, anchored (2)	FLH, FLHR, FLHT, FLHTK, FLHTK SHRINE, FLHX, FLTRK, FLTRX
27	14000827	CLEAR OVERLAY, VIN label (Japan)	FLHTK, FLHTK SHRINE, FLTRK
28	45700009	BEARING KIT, steering head, with bearing cups, bearing cones and dirt guards	FLH, FLHR, FLHT, FLHTK, FLHTK SHRINE, FLHX, FLTRK, FLTRX
29	47000088BHP	FRAME, main, with bearing cups (Also order 45700009)	FLH, FLHR, FLHT, FLHTK, FLHTK SHRINE, FLHX, FLTRK, FLTRX
30	50000097	BRACKET, jiffy stand leg	FLH, FLHR, FLHTK, FLHTK SHRINE, FLHX, FLTRK, FLTRX
30	50000141A	BRACKET, jiffy stand leg	FLHT
31	90493-83	PLUG (black) (6)	FLH, FLHT

COVERS AND AIR DEFLECTORS



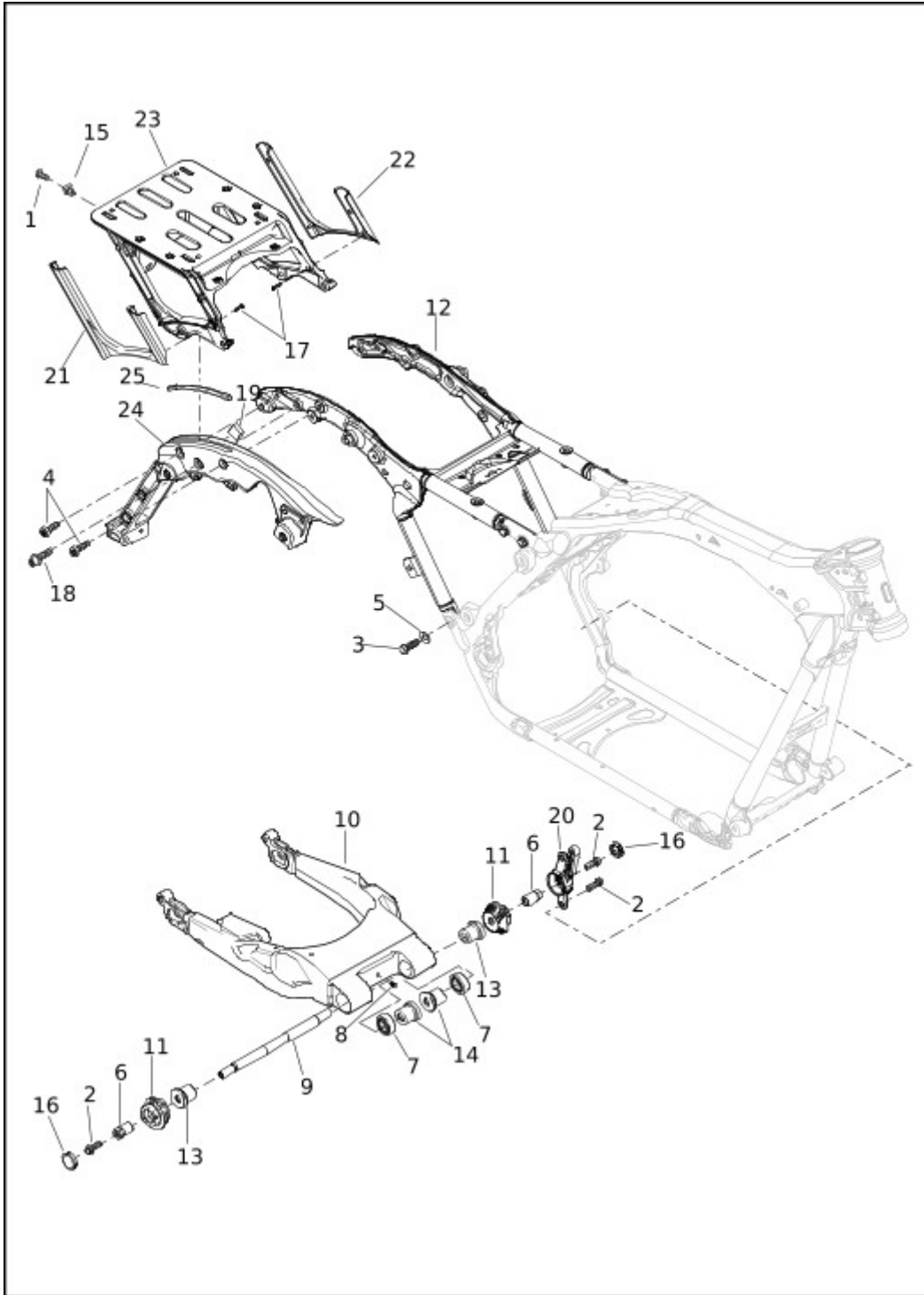
VIEW INTERACTIVE IMAGE

[View interactive table](#)

INDEX NO.	PART NO.	DESCRIPTION	MODEL(S)
NOTE: Refer to Painted Parts Book for painted part numbers.			
1	3787	BOLT (4)	FLH, FLHTK, FLHTK SHRINE, FLTRK
1	3787	BOLT (Brazil) (4)	FLHRXS, FLHXS, FLTRXS
2	6036	WASHER (4)	FLH, FLHTK, FLHTK SHRINE, FLTRK

INDEX NO.	PART NO.	DESCRIPTION	MODEL(S)
2	6036	WASHER (Brazil) (4)	FLHRXS, FLHXS, FLTRXS
3	8194	NUT, special (2)	FLH, FLHTK, FLHTK SHRINE, FLTRK
3	8194	NUT, special (Brazil) (2)	FLHRXS, FLHXS, FLTRXS
4	11650	GROMMET, side cover (6)	ALL
5	58167-09A	DEFLECTOR, air (right)	FLH, FLHTK, FLHTK SHRINE, FLTRK
5	58167-09A	DEFLECTOR, air (right) (Brazil)	FLHRXS, FLHXS, FLTRXS
5	58169-09	DEFLECTOR, air (left)	FLH, FLHTK, FLHTK SHRINE, FLTRK
5	58169-09	DEFLECTOR, air (left) (Brazil)	FLHRXS, FLHXS, FLTRXS
6	66048-09A	SIDE COVER (right) (unpainted)	ALL
6	66250-09	SIDE COVER (left) (unpainted)	ALL
7	57200066	WIND DEFLECTOR (left)	FLTRK
7	57200065	WIND DEFLECTOR (right) (not shown)	FLTRK
8	69202720	WIRE TROUGH, with 69202637 (main harness)	ALL
9	69202636	COVER, wire trough (main harness)	ALL
10	69202637	CLIP (2)	ALL

FRAME AND FORK, REAR AND TOUR-PAK SUPPORT



VIEW INTERACTIVE IMAGE

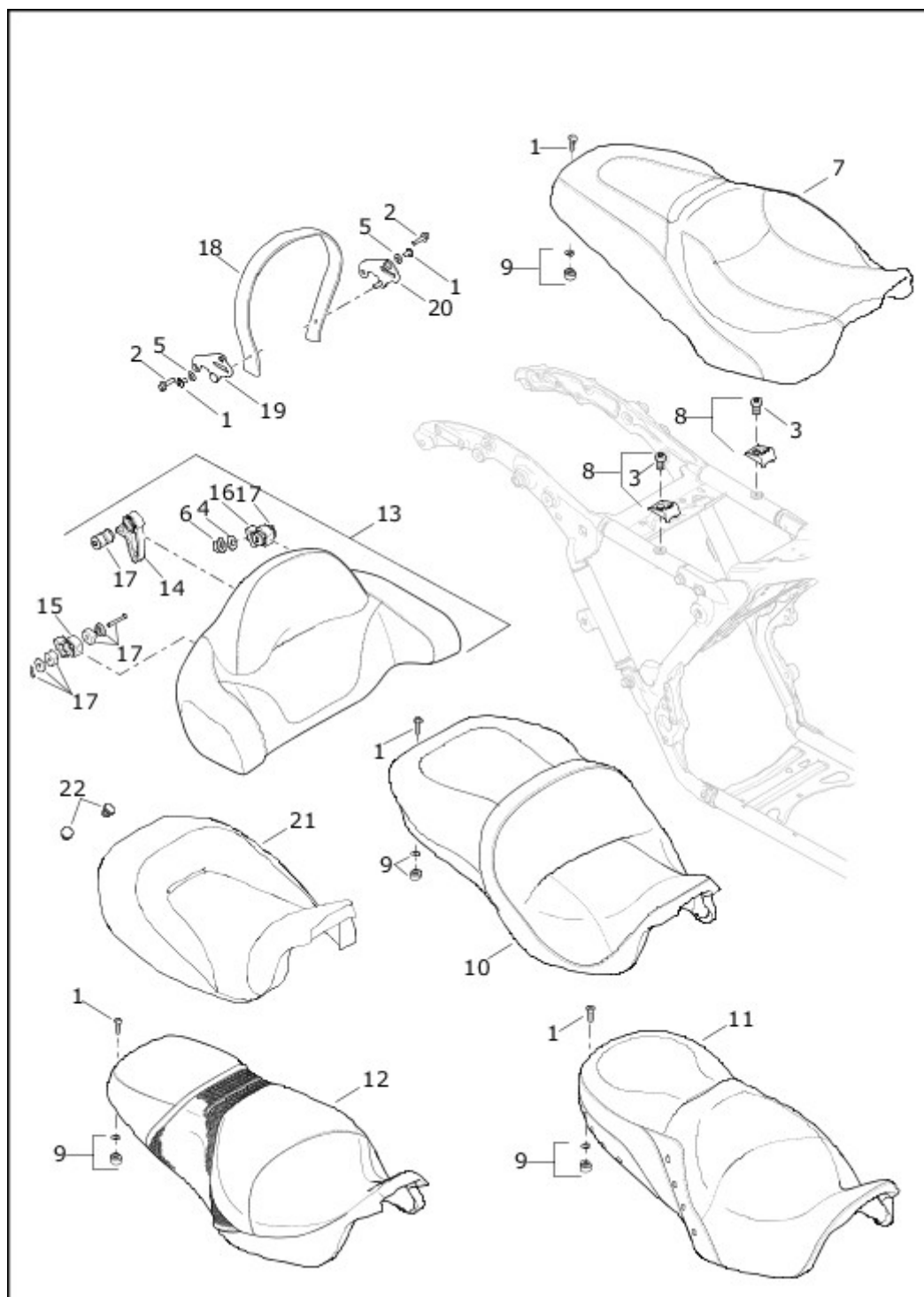
View interactive table

INDEX NO.	PART NO.	DESCRIPTION	MODEL(S)
1	2731W	SCREW (2)	FLHTK, FLHTK SHRINE, FLTRK
2	3057	SCREW (4)	ALL
3	3536	BOLT (6)	ALL

INDEX NO.	PART NO.	DESCRIPTION	MODEL(S)
4	3684	SCREW (4)	ALL
5	6532	WASHER (6)	ALL
6	6982	WASHER, hex cup (2)	ALL
7	9208	BEARING (2)	ALL
8	11779	FASTENER, push-in (black)	ALL
9	47540-11	SHAFT, rear fork	ALL
10	47549-09A	REAR FORK, with 9208, 11779 and 48489-02	ALL
11	47584-09	RUBBER MOUNT (2)	ALL
12	48079-09BHP	FRAME, rear	ALL
13	48487-02	SPACER, outer (2)	ALL
14	48489-02	SPACER, inner (2)	ALL
15	59292-94	NUT, plastic (2)	FLHTK, FLHTK SHRINE, FLTRK
16	67875-11	CAP (2)	ALL
17	10200155	SCREW (8)	FLHTK, FLHTK SHRINE, FLTRK
18	10200217	SCREW (2)	ALL
19	11100068	CUSHION (2)	ALL
20	16400005	BRACKET, rear fork (left)	ALL
21	47200080	COVER, Tour-Pak support (right) (chrome)	FLHTK, FLHTK SHRINE, FLTRK
21	47200493	COVER, Tour-Pak support (right) (black)	FLHTK, FLHTK SHRINE, FLTRK
22	47200081	COVER, Tour-Pak support (left) (chrome)	FLHTK, FLHTK SHRINE, FLTRK
22	47200492	COVER, Tour-Pak support (left) (black)	FLHTK, FLHTK SHRINE, FLTRK
23	53000125	TOUR-PAK SUPPORT (black)	FLHTK, FLHTK SHRINE, FLTRK
24	90200499	SUPPORT, saddlebag, with 11100068 (right) (chrome)	FLH, FLHR, FLHT, FLHTK, FLHTK SHRINE, FLHX, FLTRK, FLTRX
24	90201319	SUPPORT, saddlebag, with 11100068 (right) (black)	FLHRXS, FLHXS, FLTRK, FLTRXS
24	90200501	SUPPORT, saddlebag, with 11100068 (left) (chrome)	FLH, FLHR, FLHT, FLHTK, FLHTK SHRINE, FLHX, FLTRK, FLTRX
24	90201320	SUPPORT, saddlebag, with 11100068 (left) (black)	FLHRXS, FLHXS, FLTRK, FLTRXS

INDEX NO.	PART NO.	DESCRIPTION	MODEL(S)
25	90202108	INSERT ASSEMBLY, saddlebag support (2)	FLH, FLHR, FLHRXS, FLHT, FLHX, FLHXS, FLTRX, FLTRXS

SEATS



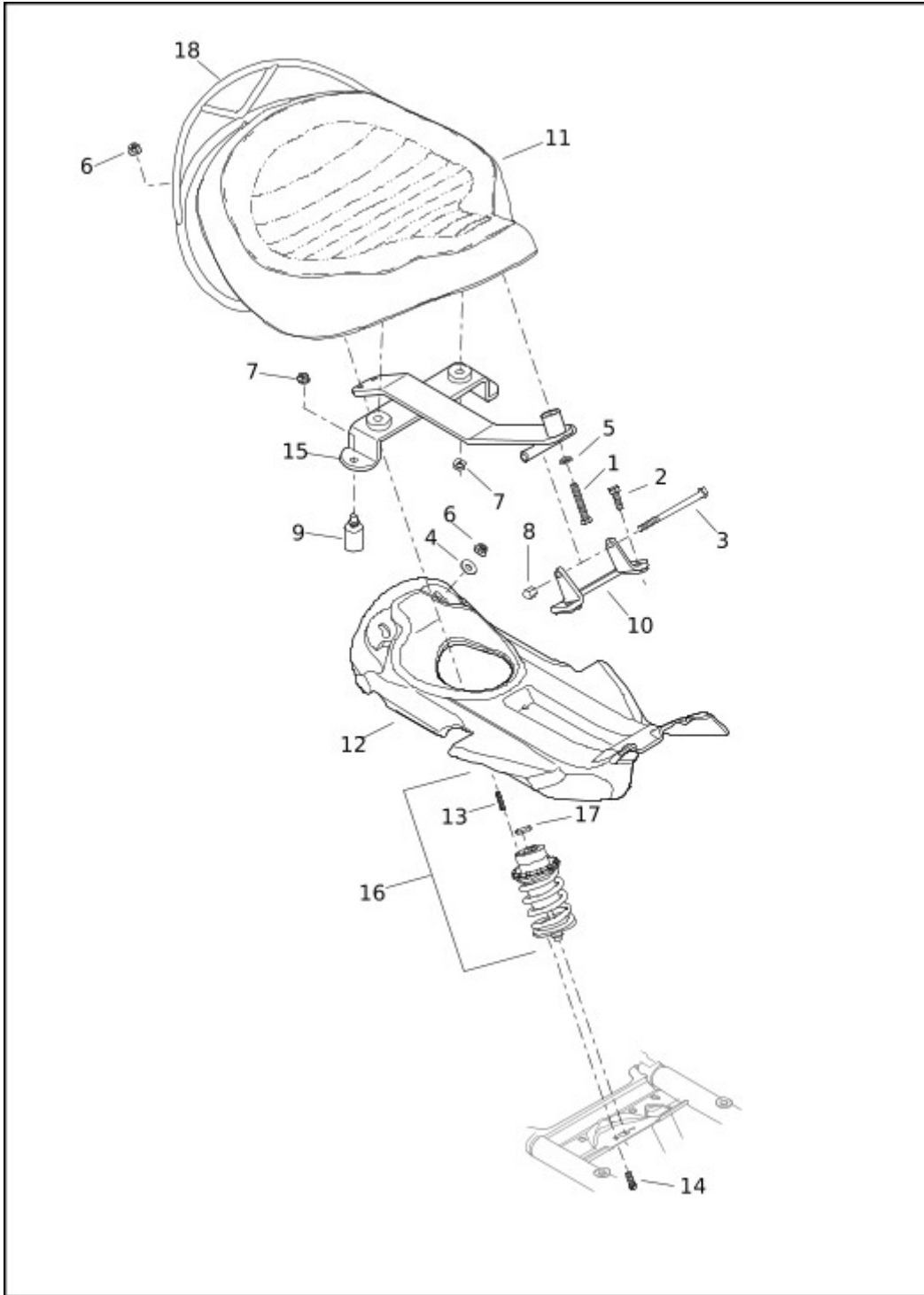
VIEW INTERACTIVE IMAGE

View interactive table

INDEX NO.	PART NO.	DESCRIPTION	MODEL(S)
1	2952A	SCREW (3)	ALL
2	3901	SCREW (2)	ALL
3	4924	SCREW (2)	FLHRXS, FLHX, FLHXS, FLTRX, FLTRXS
4	6026	WASHER (3)	FLHTK, FLHTK SHRINE, FLTRK
5	6703	WASHER (2)	ALL
6	7531	LOCKNUT (3)	FLHTK, FLHTK SHRINE, FLTRK
7	52320-11	SEAT	FLHX, FLTRXS
7	52000142	SEAT	FLHRXS, FLHXS, FLTRX
8	54395-10	SEAT BUMPER KIT, with 4924	FLHRXS, FLHX, FLHXS, FLTRX, FLTRXS
9	59768-97	SEAT NUT KIT, with nut and retention washer	ALL
10	52000033	SEAT	FLTRK
10	52000033	SEAT (except Asia-Pacific)	FLHTK, FLHTK SHRINE
10	52000122	SEAT (Asia-Pacific)	FLHTK, FLHTK SHRINE
11	52000038	SEAT	FLHR
12	52000060	SEAT	ALL
13	52300053	BACKREST ASSEMBLY, with 6026, 7531, 52300121, 52300122, 52300123 and 52300127 (black)	FLHTK, FLHTK SHRINE, FLTRK
14	52300121	SUPPORT BRACKET, center	FLHTK, FLHTK SHRINE, FLTRK
15	52300122	SUPPORT BRACKET (right)	FLHTK, FLHTK SHRINE, FLTRK
16	52300123	SUPPORT BRACKET (left)	FLHTK, FLHTK SHRINE, FLTRK
17	52300127	KIT, BACKREST ISOLATION, passenger backrest (3)	FLHTK, FLHTK SHRINE, FLTRK
18	52400015	PASSENGER STRAP	FLHTK, FLHTK SHRINE, FLTRK
18	52400017	PASSENGER STRAP	FLHRXS, FLHX, FLHXS, FLTRX, FLTRXS
18	52400018	PASSENGER STRAP	FLHR

INDEX NO.	PART NO.	DESCRIPTION	MODEL(S)
19	52400016	BRACKET, passenger strap (right)	ALL
20	52400021	BRACKET, passenger strap, (left)	ALL
21	52000464A	SEAT	FLHT
22	3633	NUT (2)	FLHT

SEAT- FLH



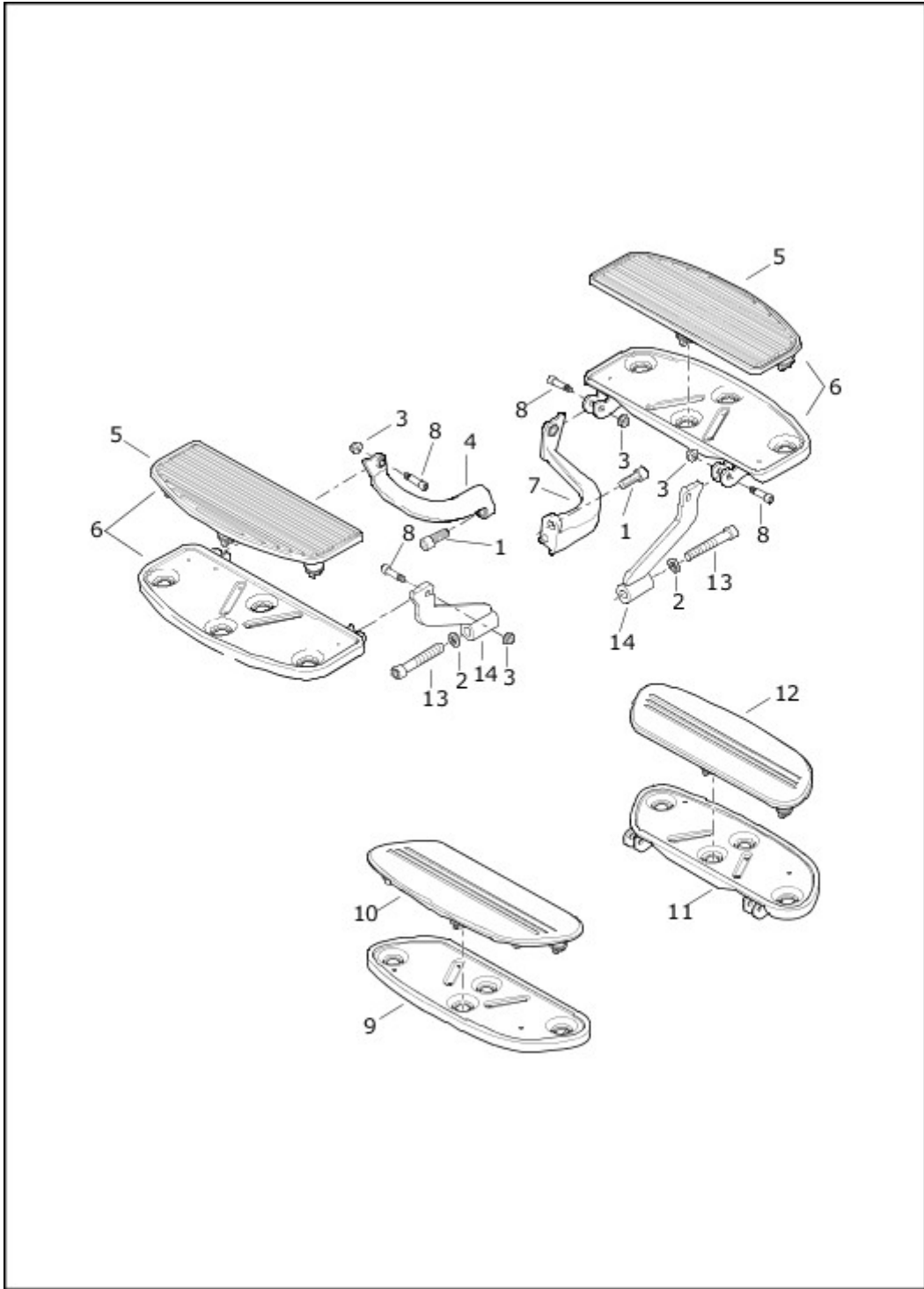
VIEW INTERACTIVE IMAGE

View interactive table

INDEX NO.	PART NO.	DESCRIPTION	MODEL(S)
1	2667	BOLT	FLH
2	2998	BOLT (2)	FLH
3	4067	BOLT	FLH
4	6333	WASHER (2)	FLH

INDEX NO.	PART NO.	DESCRIPTION	MODEL(S)
5	6702	WASHER	FLH
6	7499	NUT (4)	FLH
7	7531	LOCKNUT (4)	FLH
8	7549A	ACORN NUT	FLH
9	52100068	BUMPER, rubber (2)	FLH
10	52220-08	BRACKET, mount seat	FLH
11	52000569	SOLO SEAT **RESTRICTED SALES PART**	FLH
12	52301-09A	FAIRING SEAT	FLH
13	10900054	STUD (2)	FLH
14	10200135	SCREW (2)	FLH
15	52100006	BRACKET, seat support	FLH
16	52100069	SPRING ASSEMBLY, seat suspension, with 10900054 and 52100009	FLH
17	52100009	CAP, seat suspension	FLH
18	52300717	BACKREST RAIL (chrome) **RESTRICTED SALES PART**	FLH

FOOTBOARDS, OPERATOR



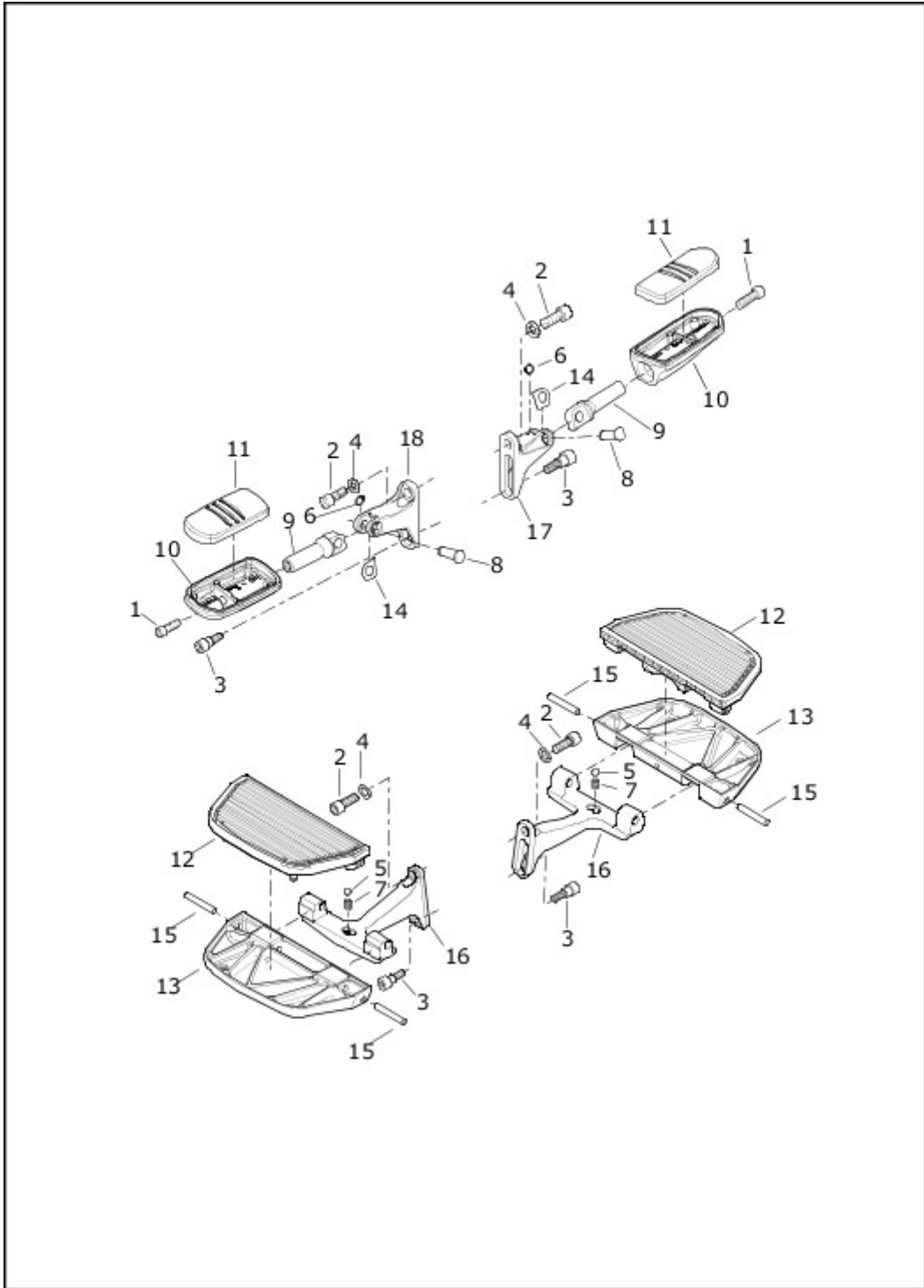
VIEW INTERACTIVE IMAGE

View interactive table

INDEX NO.	PART NO.	DESCRIPTION	MODEL(S)
1	4688	SCREW (2)	ALL
2	7038	LOCKWASHER (2)	ALL
3	7716	LOCKNUT (4)	ALL

INDEX NO.	PART NO.	DESCRIPTION	MODEL(S)
4	50518-09	BRACKET, right rear	ALL
5	50614-06	PAD, footboard (2)	FLH, FLHR, FLHT, FLHTK, FLHTK SHRINE, FLTRK
6	50621-06A	FOOTBOARD ASSEMBLY, with 50614-06 (chrome) (2)	FLH, FLHR, FLHT, FLHTK, FLHTK SHRINE, FLTRK
6	50501280A	FOOTBOARD ASSEMBLY, with 50614-06 (black) (2)	FLHTK, FLHTK SHRINE, FLTRK
7	50622-09A	BRACKET, left rear	ALL
8	50674-05	SHOULDER BOLT, footboard (4)	ALL
9	50683-04	FOOTBOARD BOTTOM ASSEMBLY (right)	FLHX, FLHXS, FLTRX, FLTRXS
9	51068-08	FOOTBOARD BOTTOM ASSEMBLY (right) (gloss black)	FLHRXS, FLHXS, FLTRXS
10	50684-11	RUBBER PAD, footboard (right)	FLHRXS, FLHX, FLHXS, FLTRX, FLTRXS
11	50688-04	FOOTBOARD BOTTOM ASSEMBLY (left)	FLHX, FLHXS, FLTRX, FLTRXS
11	51070-08	FOOTBOARD BOTTOM ASSEMBLY (left) (gloss black)	FLHRXS, FLHXS, FLTRXS
12	50689-11	RUBBER PAD, footboard (left)	FLHRXS, FLHX, FLHXS, FLTRX, FLTRXS
13	10200429	SCREW (2)	ALL
14	47200302A	BRACKET, front footboard (2)	ALL

FOOTBOARDS AND FOOTPEGS, PASSENGER



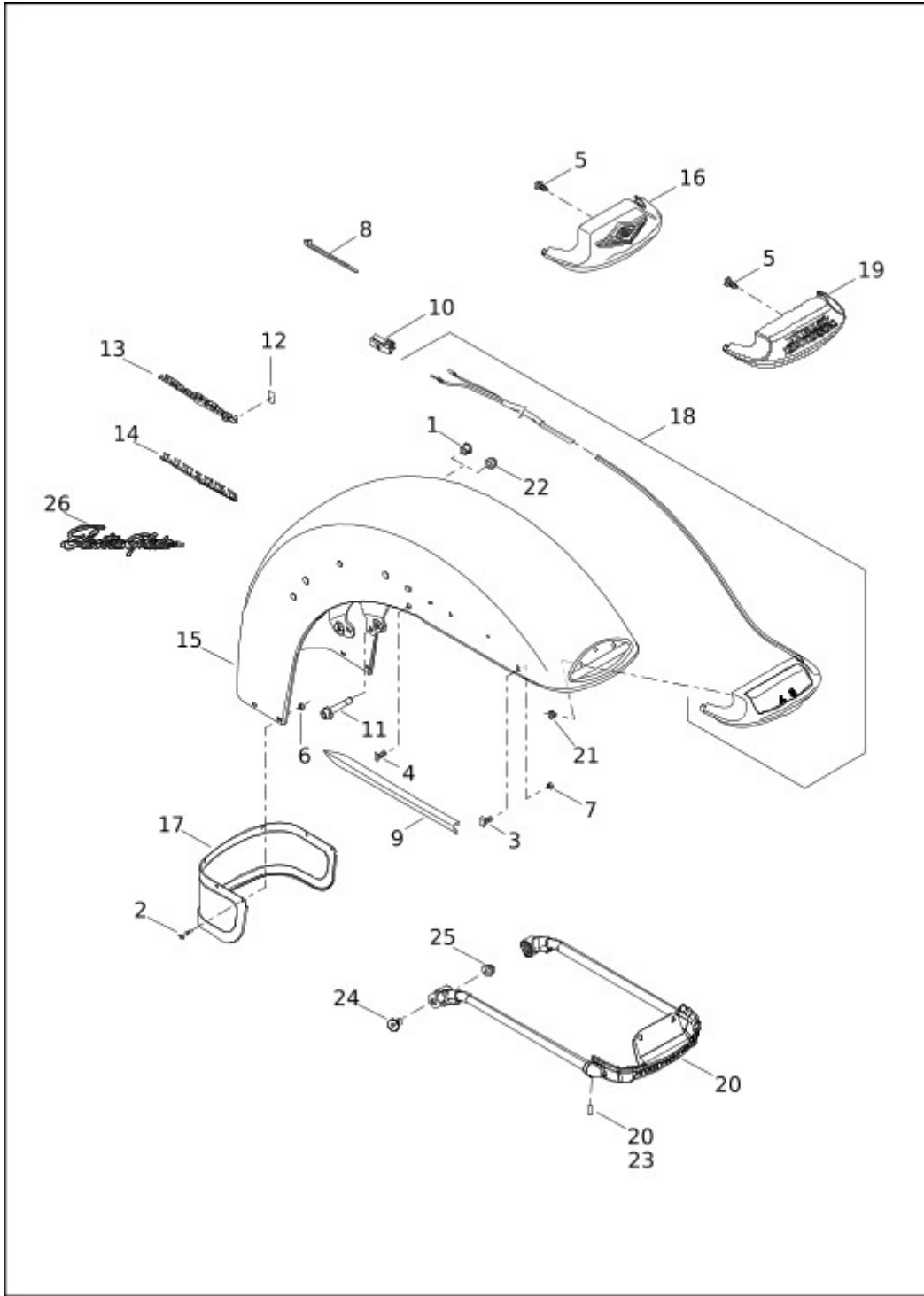
VIEW INTERACTIVE IMAGE

[View interactive table](#)

INDEX NO.	PART NO.	DESCRIPTION	MODEL(S)
1	2708A	SCREW (2)	FLHRXS, FLHX, FLHXS, FLTRX, FLTRXS
2	3143	SCREW (2)	ALL
3	4916	SCREW (2)	ALL
4	7038	LOCKWASHER (2)	ALL

INDEX NO.	PART NO.	DESCRIPTION	MODEL(S)
5	8860	BALL (2)	FLHR, FLHTK, FLHTK SHRINE, FLTRK
6	11304	RING, retaining, passenger footpeg support (2)	FLHRXS, FLHX, FLHXS, FLTRX, FLTRXS
7	33085-74	SPRING (2)	FLHR, FLHTK, FLHTK SHRINE, FLTRK
8	45041-01A	CLEVIS PIN, passenger footpeg support (2)	FLHRXS, FLHX, FLHXS, FLTRX, FLTRXS
9	50208-04	MOUNT, passenger footpeg (2)	FLHRXS, FLHX, FLHXS, FLTRX, FLTRXS
10	50345-04	FOOTPEG, passenger (chrome) (2)	FLHX, FLHXS, FLTRX, FLTRXS
10	50500876	FOOTPEG, passenger (gloss black) (2)	FLHRXS, FLHXS, FLTRXS
11	50350-04	PAD, passenger footpeg (2)	FLHRXS, FLHX, FLHXS, FLTRX, FLTRXS
12	50606-06	PAD, passenger footboard (2)	FLHR, FLHTK, FLHTK SHRINE, FLTRK
13	50899-99A	FOOTBOARD, passenger (2)	FLHR, FLHTK, FLHTK SHRINE, FLTRK
14	50912-72	SPRING WASHER, passenger footpeg (2)	FLHRXS, FLHX, FLHXS, FLTRX, FLTRXS
15	50933-86A	PIVOT PIN (4)	FLHR, FLHTK, FLHTK SHRINE, FLTRK
16	52719-10	SUPPORT KIT, footboard (2)	FLHR, FLHTK, FLHTK SHRINE, FLTRK
17	50500460A	SUPPORT, left passenger footpeg (chrome)	FLHX, FLHXS, FLTRX, FLTRXS
17	50500334A	SUPPORT, left passenger footpeg (gloss black)	FLHRXS, FLHXS, FLTRXS
18	50500462A	SUPPORT, right passenger footpeg (chrome)	FLHX, FLHXS, FLTRX, FLTRXS
18	50500332A	SUPPORT, right passenger footpeg (gloss black)	FLHRXS, FLHXS, FLTRXS

FENDERS, FRONT



VIEW INTERACTIVE IMAGE

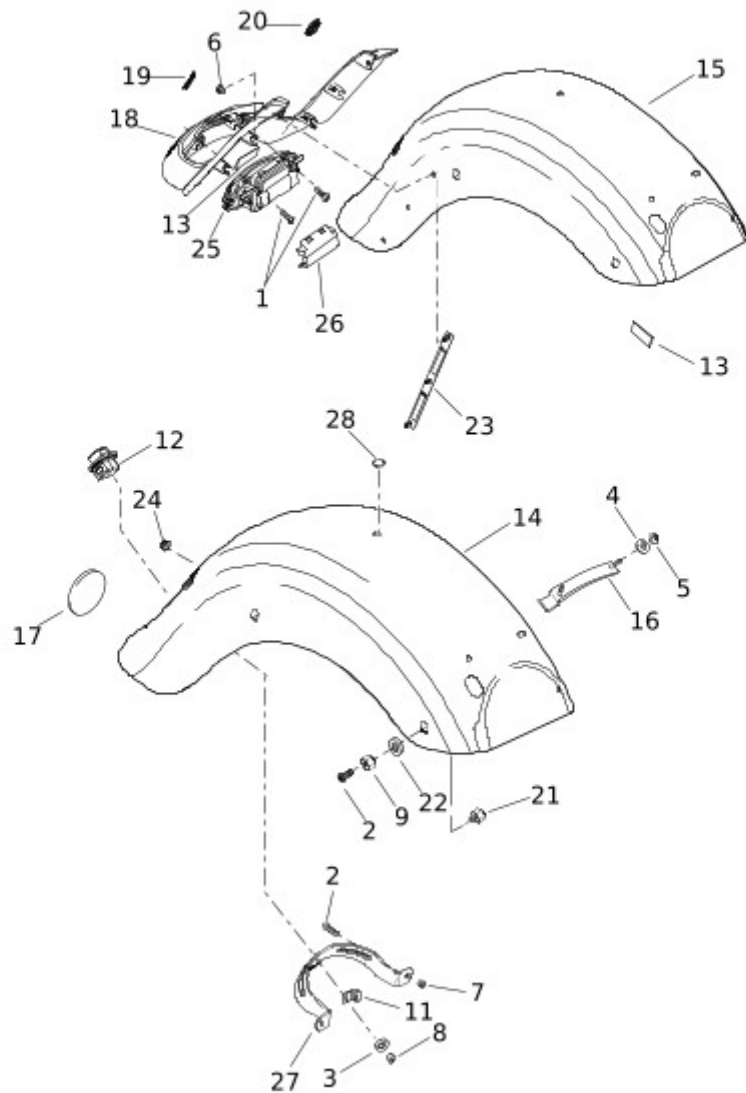
[View interactive table](#)

INDEX NO.	PART NO.	DESCRIPTION	MODEL(S)
NOTE: Refer to Painted Parts Book for painted part numbers.			
1	755	HOLE PLUG	FLHR
2	2531	SCREW (6)	FLH, FLHR

INDEX NO.	PART NO.	DESCRIPTION	MODEL(S)
3	3560WA	BOLT (2)	FLH, FLHR
4	3561WC	BOLT (2)	FLH, FLHR
5	3612	SCREW (2)	FLH, FLHR
6	7600	NUT (6)	FLH, FLHR
7	7624	LOCKNUT (4)	FLH, FLHR
8	10065	CABLE STRAP (3)	ALL
9	59211-74A	TRIM, front fender (2)	FLH, FLHR
10	73152-96WE	HOUSING, two-way socket (without fender tip light) (white)	FLHT, FLHTK, FLHTK SHRINE, FLHX, FLHXS, FLTRK, FLTRX, FLTRXS
10	73152-96WE	HOUSING, two-way socket (without fender tip light) (Australia, HDI, HD4, EN2, Japan) (white)	FLH
10	73152-96BK	HOUSING, two-way socket (California, Canada, Domestic) (black)	FLH
11	10500015	SCREW (4)	ALL
12	12200092	CLIP, retaining (6)	FLHR
13	14100230	NAMEPLATE, Road King (2)	FLHR
14	14101248	NAMEPLATE, Limited (chrome) (2)	FLHTK, FLHTK SHRINE, FLTRK
14	14101279	NAMEPLATE, Limited (black) (2)	FLHTK, FLHTK SHRINE, FLTRK
15	58900009	FENDER (prime)	FLHRXS, FLHT, FLHTK, FLHTK SHRINE, FLHX, FLHXS, FLTRK, FLTRX, FLTRXS
15	58900032	FENDER (prime)	FLH, FLHR
16	59600009	FRONT FENDER TIP	FLHR
17	61400057	TRIM SKIRT, front fender (lower)	FLH, FLHR
18	59600003	FENDER LIGHT ASSEMBLY, with 73191-96 (California, Canada, Domestic) (amber)	FLH
19	59600011	FRONT FENDER TIP, (Australia, HDI, HD4, EN2, Japan)	FLH
20	59600046	FENDER TIP ASSEMBLY, with 10200268	FLH
21	7629	NUT (California, Canada, Domestic) (2)	FLH
22	11437	GROMMET, wiring harness (California, Canada, Domestic)	FLH
23	10200268	SET SCREW (2)	FLH

INDEX NO.	PART NO.	DESCRIPTION	MODEL(S)
24	10500184	SCREW (2)	FLH
25	7716	NUT (2)	FLH
26	14101507	MEDALLION, Electra Glide (2) **RESTRICTED SALES PART**	FLH

FENDERS, REAR



VIEW INTERACTIVE IMAGE

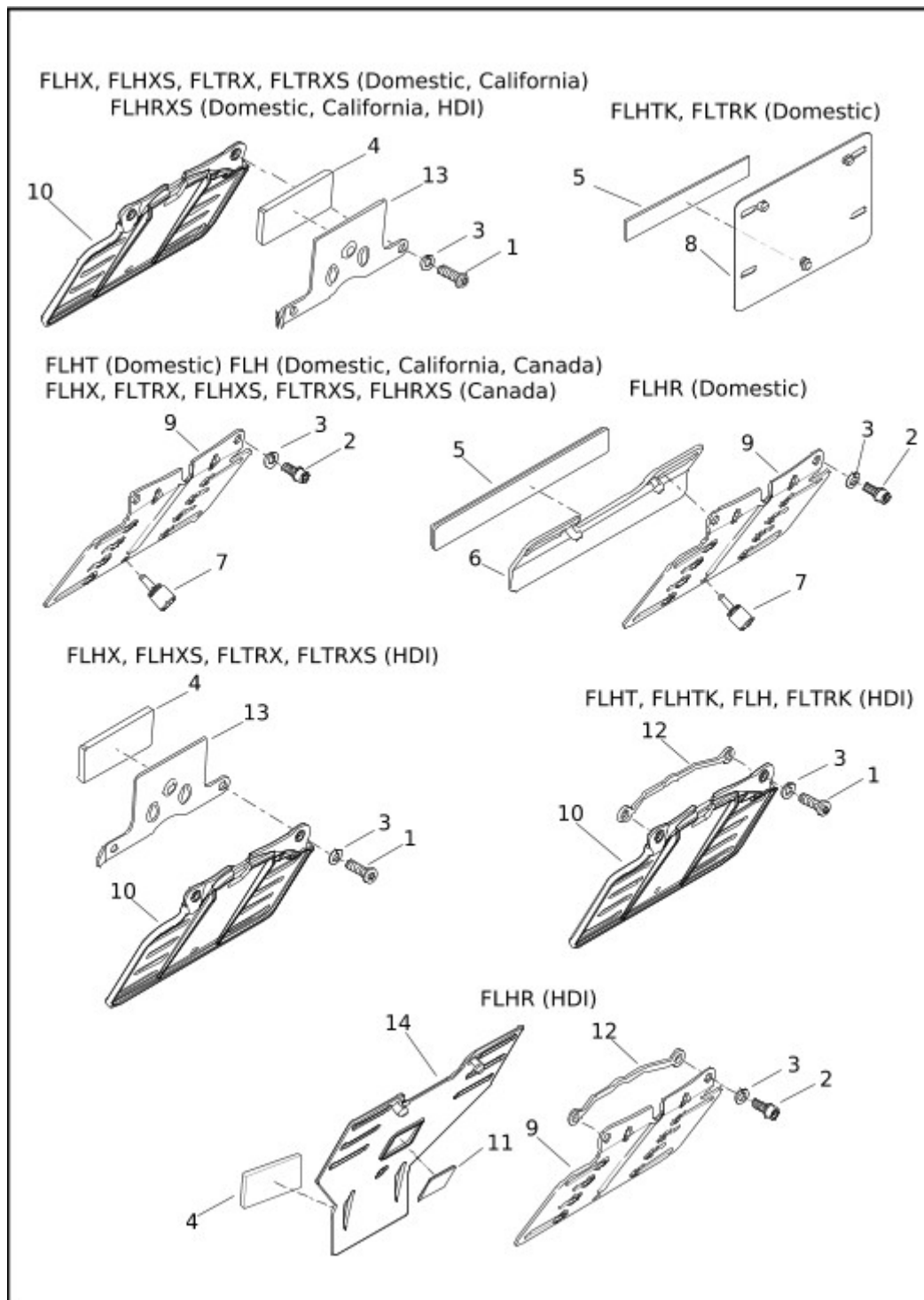
[View interactive table](#)

INDEX NO.	PART NO.	DESCRIPTION	MODEL(S)
NOTE: Refer to Painted Parts Book for painted part numbers.			
1	2995	SCREW (2)	FLHRXS, FLHX, FLHXS, FLTRX, FLTRXS
2	3684	SCREW (4)	ALL

INDEX NO.	PART NO.	DESCRIPTION	MODEL(S)
2	10201188	SCREW (fastens 91140-09 bracket) (2)	ALL
3	6703	WASHER	ALL
4	7434	WASHER (2)	ALL
5	7499	NUT (2)	ALL
6	7499	NUT (6)	FLHRXS, FLHX, FLHXS, FLTRX, FLTRXS
7	7531	LOCKNUT (2)	ALL
8	7686	LOCKNUT	ALL
9	7880	NUT (4)	ALL
10	10006	CABLE STRAP	FLH, FLHR, FLHTK, FLHTK SHRINE
11	10053	CLAMP	FLHRXS, FLHX, FLHXS, FLTRX, FLTRXS
12	11687	GROMMET, right angle (except Canada)	FLHRXS, FLHX, FLHXS, FLTRX, FLTRXS
13	11891	SPACER (3)	FLHRXS, FLHT, FLHX, FLHXS, FLTRX, FLTRXS
14	58702-09A	FENDER, rear (prime)	FLHR, FLHT
14	58702-09A	FENDER, rear (prime) (HDI)	FLH, FLHTK, FLHTK SHRINE, FLTRK
14	59500368A	FENDER, rear (prime) (Domestic)	FLHTK, FLHTK SHRINE, FLTRK
15	59731-09A	FENDER, rear (prime) (Canada)	FLHRXS, FLHX, FLHXS, FLTRX, FLTRXS
15	60575-10A	FENDER, rear (prime) (Except Canada)	FLHRXS, FLHX, FLHXS, FLTRX, FLTRXS
16	59500519	STUD PLATE	ALL
17	59581-05	BUMPER, rear fender	FLH, FLHR, FLHRXS, FLHT, FLHX, FLHXS, FLTRX, FLTRXS
17	14101286	BUMPER, rear fender (chrome) (Domestic)	FLHTK, FLHTK SHRINE, FLTRK
17	14101287	BUMPER, rear fender (black) (Domestic)	FLHTK, FLHTK SHRINE, FLTRK
17	59581-05	BUMPER, rear fender (HDI)	FLHTK, FLHTK SHRINE, FLTRK
18	59739-09	FASCIA, rear fender (unpainted)	FLHRXS, FLHX, FLHXS, FLTRX, FLTRXS
19	59749-06	PLUG	FLHRXS, FLHX, FLHXS, FLTRX, FLTRXS
20	59778-06	GROMMET	FLHRXS, FLHX, FLHXS, FLTRX, FLTRXS
21	59786-01	FENDER MOUNTING BOSS, inner (4)	ALL
22	59788-01	FENDER MOUNTING WASHER (4)	ALL
23	59818-09	STUD PLATE (2)	FLHRXS, FLHX, FLHXS, FLTRX, FLTRXS

INDEX NO.	PART NO.	DESCRIPTION	MODEL(S)
24	67266-94	BUSHING, nylon, turn signal (2)	FLH, FLHR, FLHT, FLTRK
24	67266-94	BUSHING, nylon, turn signal (HDI) (2)	FLHTK, FLHTK SHRINE
24	67266-94	BUSHING, nylon, turn signal (Canada) (2)	FLHRXS, FLHX, FLHXS, FLTRX, FLTRXS
25	69377-10	REAR FENDER LIGHT ASSEMBLY (Canada, HDI, Brazil)	FLHRXS, FLHX, FLHXS, FLTRX, FLTRXS
25	59600008	REAR FENDER LIGHT ASSEMBLY (Domestic, California)	FLHRXS, FLHX, FLHXS, FLTRX, FLTRXS
26	69615-10	SPLASH GUARD, fender tip lamp	FLHRXS, FLHX, FLHXS, FLTRX, FLTRXS
27	91140-09	BRACKET, saddlebag to fender support	ALL
28	761	PLUG	FLH

LICENSE PLATE BRACKETS



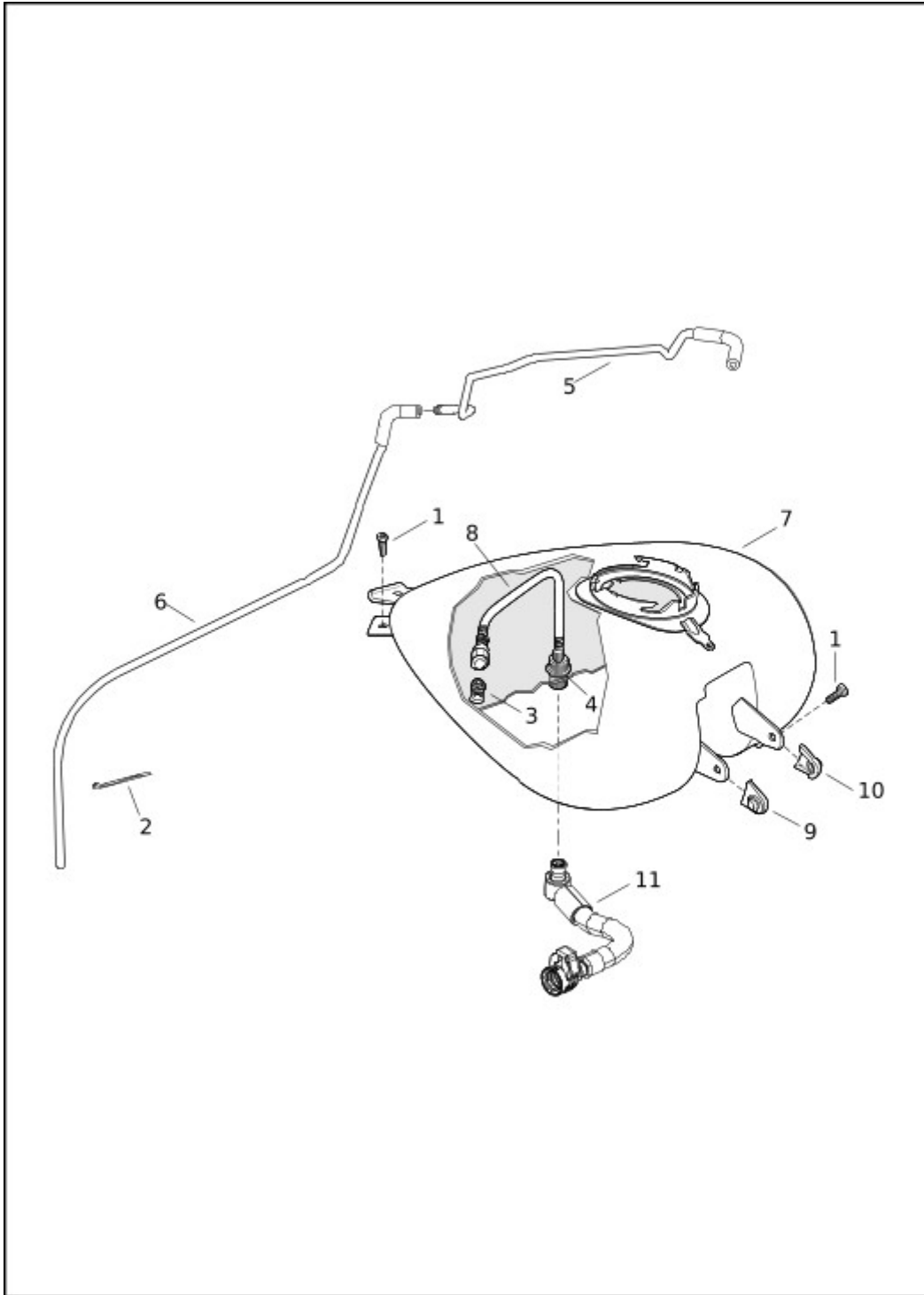
VIEW INTERACTIVE IMAGE

[View interactive table](#)

INDEX NO.	PART NO.	DESCRIPTION	MODEL(S)
1	2446	SCREW (2)	ALL
2	3061	SCREW (2)	FLH, FLHR, FLHRXS, FLHT, FLHX, FLHXS, FLTRX, FLTRXS
3	7036	WASHER (2)	ALL

INDEX NO.	PART NO.	DESCRIPTION	MODEL(S)
4	59259-90	REFLECTOR (red)	FLHR, FLHRXS, FLHX, FLHXS, FLTRX, FLTRXS
5	59988-72A	REFLECTOR (red)	FLHR, FLHTK, FLHTK SHRINE, FLTRK
6	60907-09	BRACKET, reflector	FLHR
7	60909-09	BUMPER, license plate bracket	FLHR, FLHRXS, FLHT, FLHX, FLHXS, FLTRX, FLTRXS
7	67900009	BUMPER, license plate bracket	FLH
8	60918-10A	LICENSE PLATE BRACKET	FLHTK, FLHTK SHRINE, FLTRK
9	69380-09BHP	BRACKET, license plate	FLH, FLHR, FLHRXS, FLHT, FLHX, FLHXS, FLTRX, FLTRXS
10	73255-10	BRACKET, license plate	FLH, FLHRXS, FLHT, FLHTK, FLHTK SHRINE, FLHX, FLHXS, FLTRK, FLTRX, FLTRXS
11	11100195	CUSHION	FLHR
12	12400100	SPACER (HDI)	FLH, FLHR, FLHT, FLHTK, FLHTK SHRINE, FLTRK
13	67900213A	BRACKET, reflector	FLHRXS, FLHX, FLHXS, FLTRX, FLTRXS
14	67900445	LICENSE PLATE BRACKET, with 59259-90 and 11100195	FLHR

FUEL TANK - FLHT, FLHTK, FLHX, FLH, FLTRK AND FLTRX



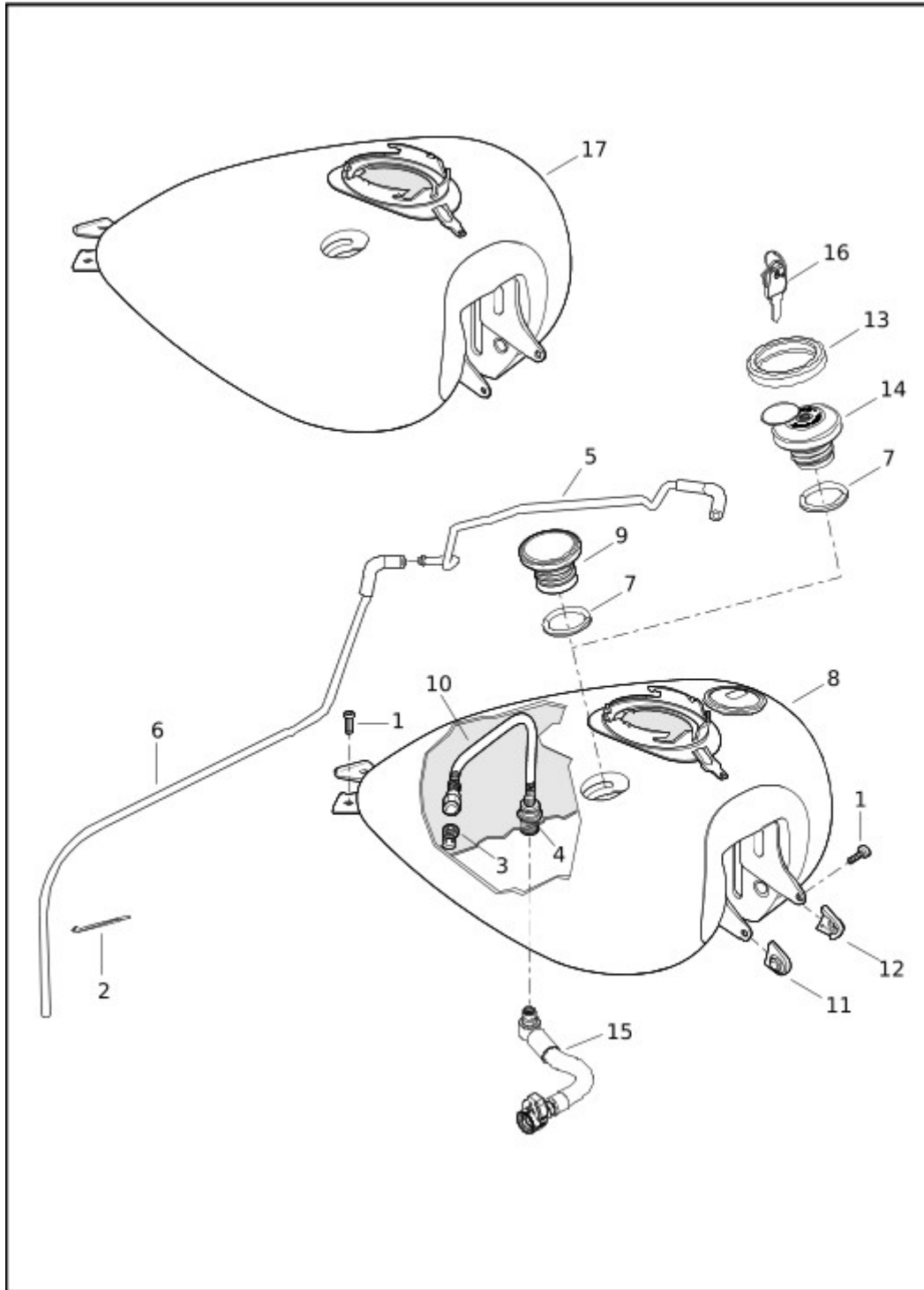
VIEW INTERACTIVE IMAGE

[View interactive table](#)

INDEX NO.	PART NO.	DESCRIPTION	MODEL(S)
NOTE: Refer to Painted Parts Book for painted part numbers.			
1	3634	SCREW (4)	FLH, FLHT, FLHTK, FLHTK SHRINE, FLHX, FLTRK, FLTRX
2	10039	CABLE STRAP (2)	FLH, FLHT, FLHTK, FLHTK SHRINE, FLHX,

INDEX NO.	PART NO.	DESCRIPTION	MODEL(S)
			FLTRK, FLTRX
3	10396	RETAINER, fuel line, 3/8 in (natural)	FLH, FLHT, FLHTK, FLHTK SHRINE, FLHX, FLTRK, FLTRX
4	11323A	O-RING, check valve to tank	FLH, FLHT, FLHTK, FLHTK SHRINE, FLHX, FLTRK, FLTRX
5	27291-09A	LINE, evaporative (EVAP), tank	FLH, FLHT, FLHTK, FLHTK SHRINE, FLHX, FLTRK, FLTRX
6	27440-09A	LINE, evaporative (EVAP) (Domestic, Canada, Australia)	FLH, FLHT, FLHTK, FLHTK SHRINE, FLHX, FLTRK, FLTRX
7	61356-08	FUEL TANK (prime)	FLH, FLHT, FLHTK, FLHTK SHRINE, FLHX, FLTRK, FLTRX
8	62228-08C	CHECK VALVE, assembly, with 10396 and 11323A	FLH, FLHT, FLHTK, FLHTK SHRINE, FLHX, FLTRK, FLTRX
9	70901-09	BOOT, tank bracket (right)	FLH, FLHT, FLHTK, FLHTK SHRINE, FLHX, FLTRK, FLTRX
10	70999-09	BOOT, tank bracket (left)	FLH, FLHT, FLHTK, FLHTK SHRINE, FLHX, FLTRK, FLTRX
11	61200022A	FUEL LINE, tank to intake	FLH, FLHT, FLHTK, FLHTK SHRINE, FLHX, FLTRK, FLTRX

FUEL TANK - FLHR, FLHRXS, FLHXS AND FLTRXS

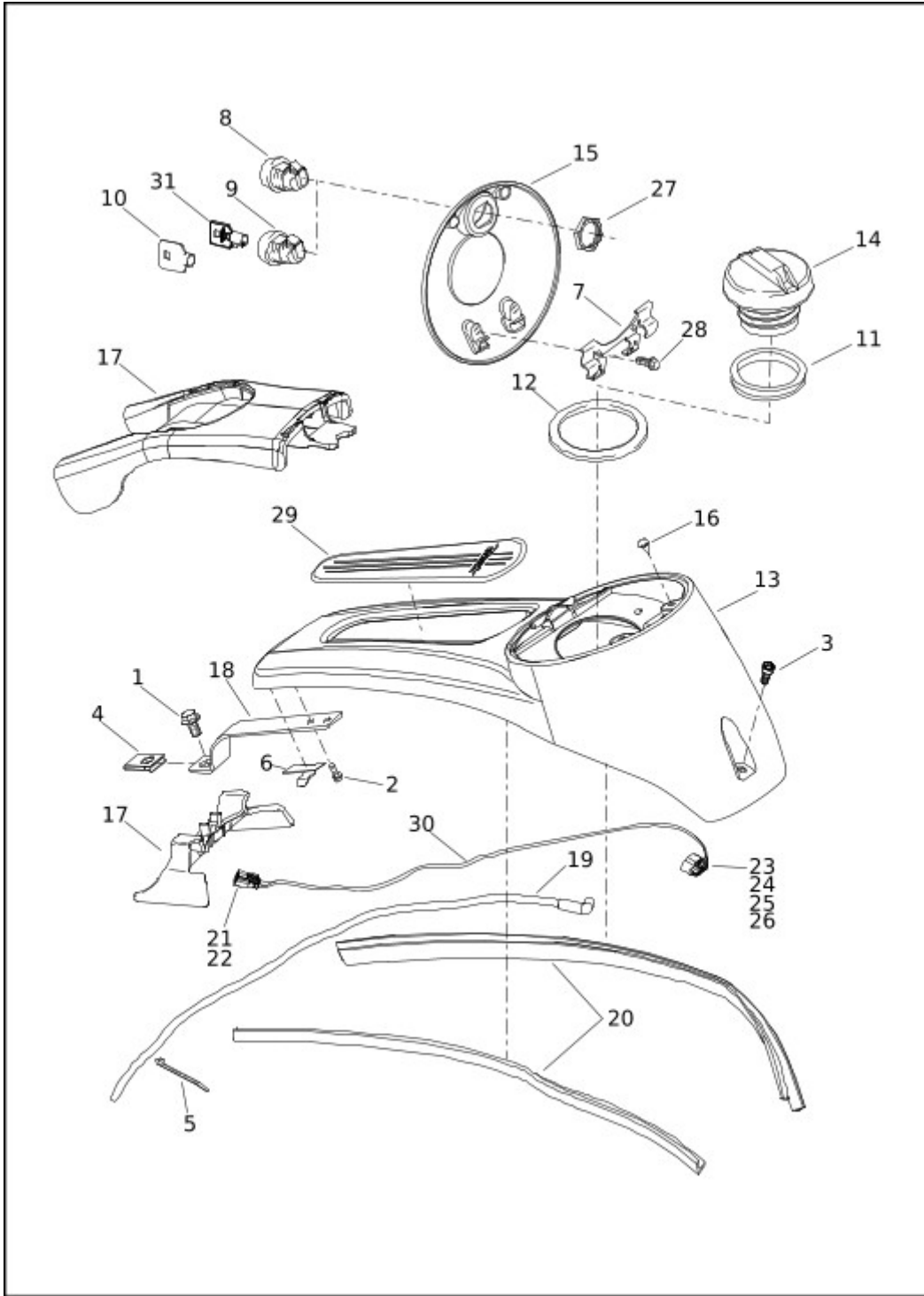


VIEW INTERACTIVE IMAGE

[View interactive table](#)

INDEX NO.	PART NO.	DESCRIPTION	MODEL(S)
NOTE: Refer to Painted Parts Book for painted part numbers.			
1	3634	SCREW (4)	FLHR, FLHRXS, FLHXS, FLTRXS
2	10039	CABLE STRAP (2)	FLHR, FLHRXS, FLHXS,

INDEX NO.	PART NO.	DESCRIPTION	MODEL(S)
			FLTRXS
3	10396	RETAINER, fuel line, 3/8 in (natural)	FLHR, FLHRXS, FLHXS, FLTRXS
4	11323A	O-RING, check valve to tank	FLHR, FLHRXS, FLHXS, FLTRXS
5	27291-09A	LINE, evaporative (EVAP), tank	FLHR, FLHRXS, FLHXS, FLTRXS
6	27440-09A	LINE, evaporative (EVAP) (Domestic, Canada, Australia)	FLHR, FLHRXS, FLHXS, FLTRXS
7	61109-85D	GASKET, filler cap	FLHR, FLHRXS, FLHXS, FLTRXS
8	61000691	FUEL TANK (prime)	FLHR, FLHRXS
9	61272-92E	FILLER CAP, with 61109-85D (chrome)	FLHR, FLHRXS, FLHXS, FLTRXS
9	61100093A	FILLER CAP, with 61109-85D (black)	FLHXS, FLTRXS
10	62228-08C	CHECK VALVE, assembly, with 10396 and 11323A	FLHR, FLHRXS, FLHXS, FLTRXS
11	70901-09	BOOT, tank bracket (right)	FLHR, FLHRXS, FLHXS, FLTRXS
12	70999-09	BOOT, tank bracket (left)	FLHR, FLHRXS, FLHXS, FLTRXS
13	61100065	BUMPER, filler cap (China)	FLHR, FLHRXS, FLHXS, FLTRXS
14	61100120A	FILLER CAP KIT, locking, with 61109-85D and 90300093 (chrome) (Asia-Pacific)	FLHRXS, FLHXS, FLTRXS
14	61100122A	FILLER CAP KIT, locking, with 61109-85D and 90300093 (black) (Asia-Pacific)	FLHRXS, FLHXS, FLTRXS
14	61100123A	FILLER CAP KIT, locking, with 61109-85D, 61100065 and 90300093 (chrome) (China)	FLHR, FLHRXS, FLHXS, FLTRXS
14	61100124A	FILLER CAP KIT, locking, with 61109-85D, 61100065 and 90300093 (black) (China)	FLHXS, FLTRXS
15	61200022A	FUEL LINE, tank to intake	FLHR, FLHRXS, FLHXS, FLTRXS
16	90300093	KEY (set of 2) (Asia-Pacific)	FLHRXS, FLHXS, FLTRXS
17	61000690	FUEL TANK (prime)	FLHXS, FLTRXS



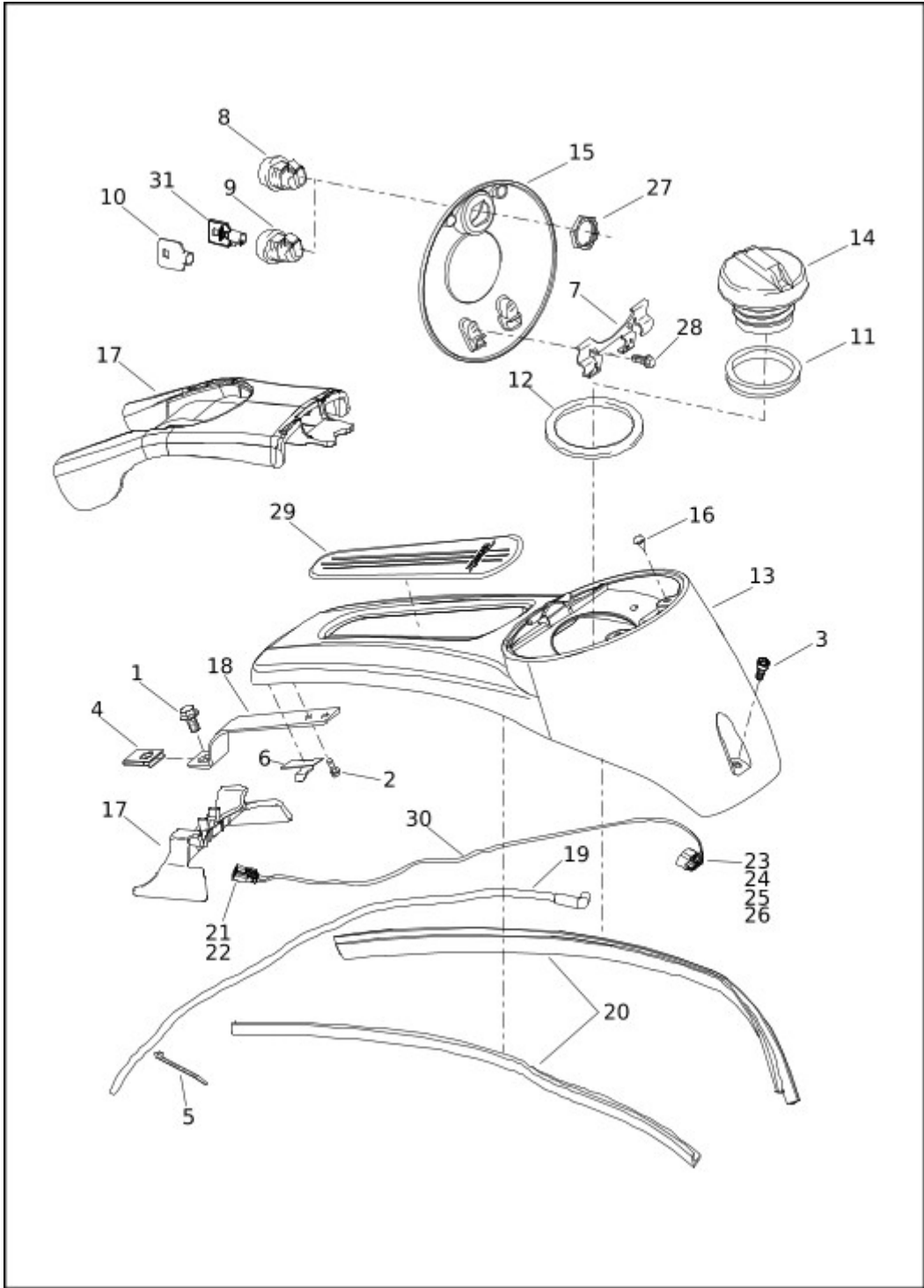
VIEW INTERACTIVE IMAGE

[View interactive table](#)

INDEX NO.	PART NO.	DESCRIPTION	MODEL(S)
1	3588	SCREW	FLH, FLHT, FLHTK, FLHTK SHRINE, FLHX, FLTRK, FLTRX
2	4194	SCREW (2)	FLH, FLHT, FLHTK, FLHTK SHRINE, FLHX, FLTRK, FLTRX

INDEX NO.	PART NO.	DESCRIPTION	MODEL(S)
3	4856	SCREW	FLH, FLHT, FLHTK, FLHTK SHRINE, FLHX, FLTRK, FLTRX
4	8142	NUT, speed	FLH, FLHT, FLHTK, FLHTK SHRINE, FLHX, FLTRK, FLTRX
5	10065	CABLE STRAP	FLH, FLHT, FLHTK, FLHTK SHRINE, FLHX, FLTRK, FLTRX
6	10103	CLIP, adhesive backed (2)	FLH, FLHT, FLHTK, FLHTK SHRINE, FLHX, FLTRK, FLTRX
7	10334	CLIP, hinge mounting	FLH, FLHT, FLHTK, FLHTK SHRINE, FLHX, FLTRK, FLTRX
8	53919-04B	PUSH BUTTON KIT, fuel tank, with 84850-92 (chrome) (Domestic)	FLH, FLHT, FLHTK, FLHTK SHRINE, FLHX, FLTRK, FLTRX
8	90300096A	PUSH BUTTON KIT, fuel tank, with 84850-92 (black) (Domestic)	FLHTK, FLHTK SHRINE, FLTRK
9	61029-92A	LOCK, fuel tank, with 84850-92 (HDI)	FLH, FLHT, FLHTK, FLHTK SHRINE, FLHX, FLTRK, FLTRX
10	61081-92	COVER, key-head (set of 2) (HDI)	FLH, FLHT, FLHTK, FLHTK SHRINE, FLTRK
11	61109-85D	GASKET, filler cap	FLH, FLHT, FLHTK, FLHTK SHRINE, FLHX, FLTRK, FLTRX
12	61112-08	BOOT	FLH, FLHT, FLHTK, FLHTK SHRINE, FLHX, FLTRK, FLTRX
13	61270-08	CONSOLE ASSEMBLY, with hinge pin (chrome)	FLH, FLHTK, FLHTK SHRINE, FLTRK
13	69214-08	CONSOLE ASSEMBLY, with hinge pin (chrome)	FLHT, FLHX, FLTRX
13	70900502	CONSOLE ASSEMBLY, with hinge pin (gloss black)	FLHTK, FLHTK SHRINE, FLTRK
14	61274-92	FUEL FILLER CAP, vacuum vented, with 61109-85D	FLH, FLHT, FLHTK, FLHTK SHRINE, FLHX, FLTRK, FLTRX
15	61278-08A	DOOR KIT, console, with 10200442 (chrome)	FLHT, FLHTK, FLHTK SHRINE, FLHX, FLTRK, FLTRX
15	70900465A	DOOR KIT, console, with screw (black)	FLHTK, FLHTK SHRINE, FLTRK
15	63603-05	DOOR KIT, console, with screw (black)	FLH
16	61313-88	BUMPER, cover (2)	FLH, FLHT, FLHTK, FLHTK SHRINE, FLHX, FLTRK, FLTRX

CONSOLE, FUEL TANK - FLHT, FLHTK, FLHX, FLH, FLTRK AND FLTRX (2 OF 2)



VIEW INTERACTIVE IMAGE

[View interactive table](#)

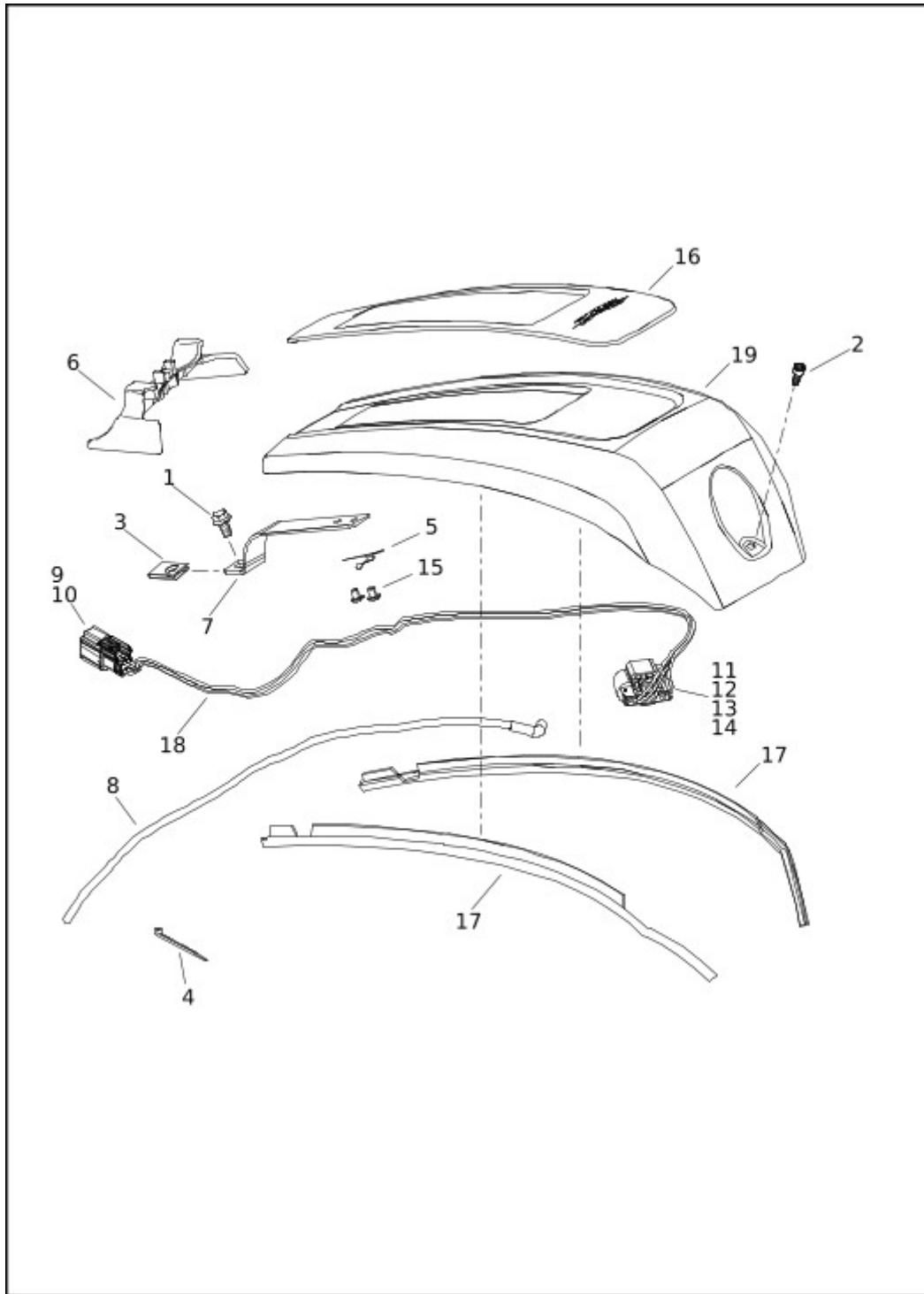
INDEX NO.	PART NO.	DESCRIPTION	MODEL(S)
17	62775-08	TRIM COVER, fuel tank	FLHT, FLHTK, FLHTK SHRINE, FLHX, FLTRK, FLTRX
17	70901037	TRIM COVER, fuel tank **RESTRICTED SALES PART**	FLH

NOTE: See INTERCOM CONTROL POD for pod and console insert for the FLHTK and FLTRK models.

INDEX NO.	PART NO.	DESCRIPTION	MODEL(S)
18	67493-08	BRACKET, console mount	FLH, FLHT, FLHTK, FLHTK SHRINE, FLHX, FLTRK, FLTRX
19	69241-08	DRAIN HOSE, console	FLH, FLHT, FLHTK, FLHTK SHRINE, FLHX, FLTRK, FLTRX
20	71294-08	MOLDING, rubber (2)	FLH, FLHT, FLHTK, FLHTK SHRINE, FLHX, FLTRK, FLTRX
21	72168-07	TERMINAL, socket, 18-20 AWG (4)	FLH, FLHT, FLHTK, FLHTK SHRINE, FLHX, FLTRK, FLTRX
22	72444-07GY	HOUSING, four-way, socket (gray)	FLH, FLHT, FLHTK, FLHTK SHRINE, FLHX, FLTRK, FLTRX
23	72485-07	HOUSING, four-way socket (black)	FLH, FLHT, FLHTK, FLHTK SHRINE, FLHX, FLTRK, FLTRX
24	72493-07	TERMINAL, socket, 16-18 AWG (4)	FLH, FLHT, FLHTK, FLHTK SHRINE, FLHX, FLTRK, FLTRX
25	72494-07	WIRE SEAL, 16-18 AWG (yellow) (4)	FLH, FLHT, FLHTK, FLHTK SHRINE, FLHX, FLTRK, FLTRX
26	72557-07	SECONDARY LOCK, four-way socket	FLH, FLHT, FLHTK, FLHTK SHRINE, FLHX, FLTRK, FLTRX
27	84850-92	NUT	FLH, FLHT, FLHTK, FLHTK SHRINE, FLHX, FLTRK, FLTRX
28	10200442	SCREW (2)	FLH, FLHT, FLHTK, FLHTK SHRINE, FLHX, FLTRK, FLTRX
29	14100615	INSERT, console panel	FLTRX
29	14100855	INSERT, console panel (not illustrated) (Domestic)	FLHX
29	14101371	INSERT, console panel (not illustrated)	FLHT
29	14101666	INSERT, console panel (not illustrated) **RESTRICTED SALES PART**	FLH
30	69200125	WIRE HARNESS, console, with 72168-07, 72444-07GY, 72485-07, 72493-07, 72494-07 and 72557-07	FLH, FLHT, FLHTK, FLHTK SHRINE, FLHX, FLTRK, FLTRX
31	90300043	KEY, with 61081-92 (set of 2) (specify key number) (HDI)	FLH, FLHT, FLHTK, FLHTK SHRINE, FLTRK

NOTE: See INTERCOM CONTROL POD for pod and console insert for the FLHTK and FLTRK models.

CONSOLE, FUEL TANK - FLHXS, FLTRXS



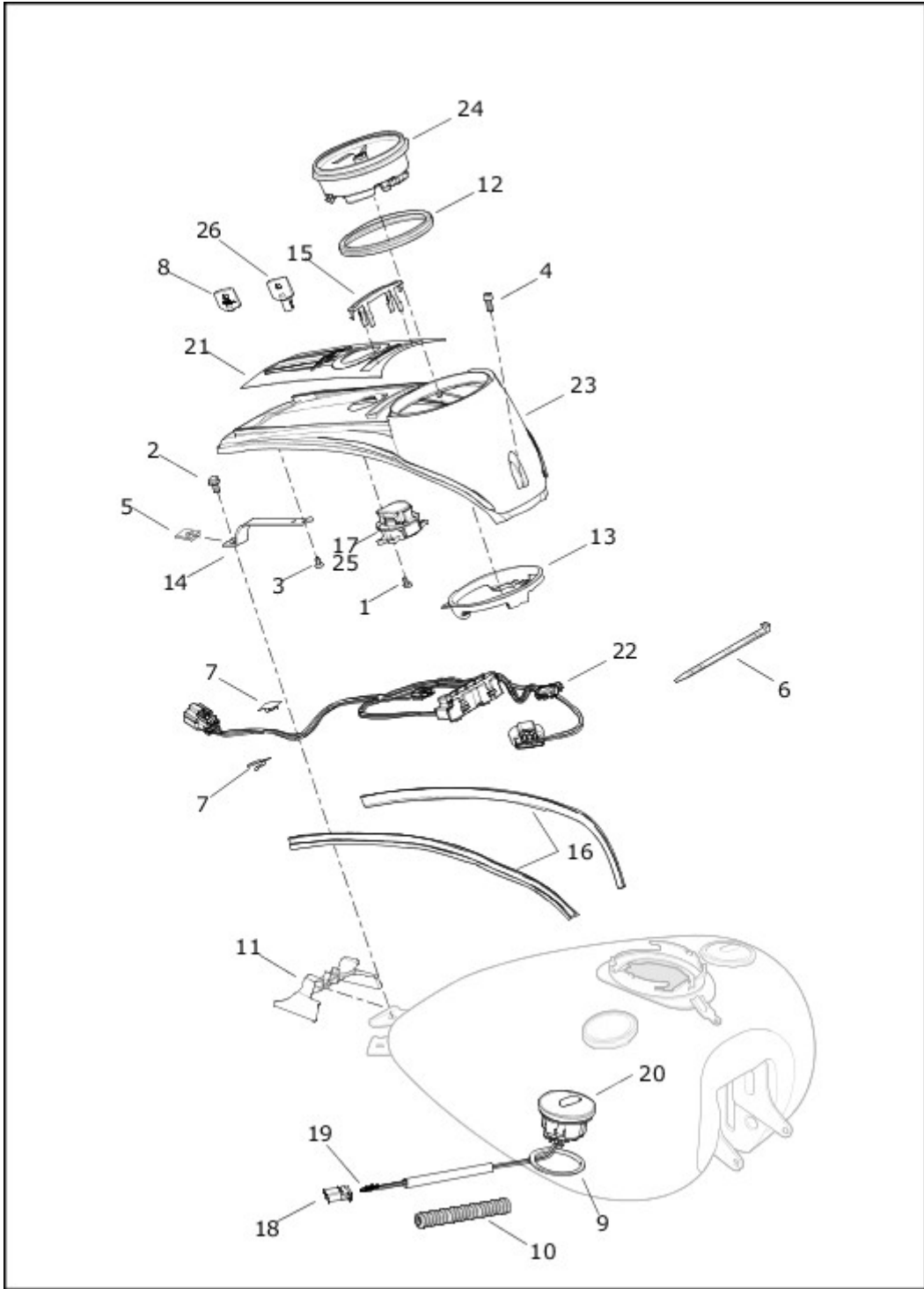
VIEW INTERACTIVE IMAGE

[View interactive table](#)

INDEX NO.	PART NO.	DESCRIPTION	MODEL(S)
1	3588	SCREW	FLHXS, FLTRXS
2	4856	SCREW	FLHXS, FLTRXS
3	8142	NUT, speed	FLHXS, FLTRXS
4	10065	CABLE STRAP	FLHXS, FLTRXS

INDEX NO.	PART NO.	DESCRIPTION	MODEL(S)
5	10103	CLIP	FLHXS, FLTRXS
6	62775-08	TRIM COVER, fuel tank	FLHXS, FLTRXS
7	67493-08	BRACKET	FLHXS, FLTRXS
8	69241-08	DRAIN HOSE, console	FLHXS, FLTRXS
9	72168-07	TERMINAL, socket, 18-20 AWG	FLHXS, FLTRXS
10	72444-07GY	HOUSING, four-way socket (gray)	FLHXS, FLTRXS
11	72485-07	HOUSING, four-way socket (black)	FLHXS, FLTRXS
12	72493-07	TERMINAL, socket, 16-18 AWG (4)	FLHXS, FLTRXS
13	72494-07	WIRE SEAL, 16-18 AWG (yellow) (4)	FLHXS, FLTRXS
14	72557-07	SECONDARY LOCK, four-way socket	FLHXS, FLTRXS
15	10201023	SCREW (2)	FLHXS, FLTRXS
16	14101269	MEDALLION	FLHXS
16	14101270	MEDALLION	FLTRXS
17	61400686	TRIM (2)	FLHXS, FLTRXS
18	69200125	WIRE HARNESS, console, with 9, 10, 11, 12, 13 and 14	FLHXS, FLTRXS
19	70900838	CONSOLE (chrome)	FLHXS, FLTRXS
19	70900840	CONSOLE (black)	FLHXS, FLTRXS

INSTRUMENTS, FUEL TANK - FLHR AND FLHRXS



VIEW INTERACTIVE IMAGE

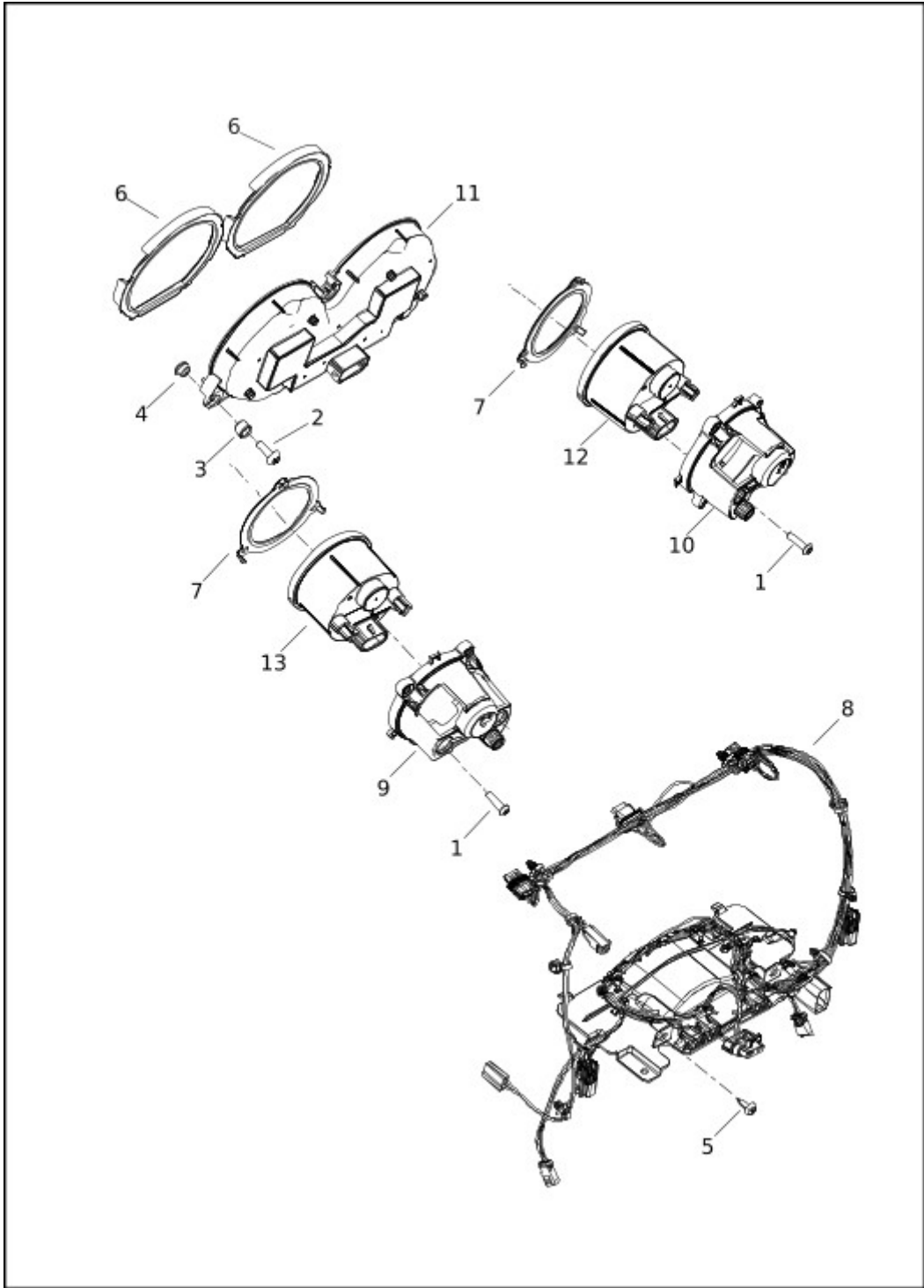
[View interactive table](#)

INDEX NO.	PART NO.	DESCRIPTION	MODEL(S)
1	3622	SCREW (4)	FLHR, FLHRXS
2	3588	SCREW	FLHR, FLHRXS

INDEX NO.	PART NO.	DESCRIPTION	MODEL(S)
3	4194	SCREW (2)	FLHR, FLHRXS
4	4856	SCREW	FLHR, FLHRXS
5	8142	NUT, speed	FLHR, FLHRXS
6	10065	CABLE STRAP (2)	FLHR, FLHRXS
7	10103	CLIP, under instrument panel (2)	FLHR, FLHRXS
8	61081-92	COVER, key-head (set of 2)	FLHR, FLHRXS
9	61192-96A	GASKET, fuel gauge	FLHR, FLHRXS
10	62519-03	HOSE, shield 1/4 in ID, 5.00 in long, fuel gauge wires	FLHR, FLHRXS
11	62775-08	TRIM COVER, fuel tank	FLHR, FLHRXS
12	67208-08	SEAL, speedometer	FLHR, FLHRXS
13	67341-04B	BACK CLAMP, 5 in speedo (red)	FLHR, FLHRXS
14	67493-08	BRACKET, console mount	FLHR, FLHRXS
15	68253-08A	INDICATOR BEZEL	FLHR, FLHRXS
16	71294-08	MOLDING (2)	FLHR, FLHRXS
17	71517-11A	IGNITION SWITCH (keyed-to-match)	FLHR, FLHRXS
18	72904-01BK	HOUSING, pin, four-way	FLHR, FLHRXS
19	72990-01	PIN TERMINAL (3)	FLHR, FLHRXS
20	75241-08	FUEL GAUGE, without LED, with 72990-01	FLHR, FLHRXS
21	14100087	INSERT, console	FLHR
21	14101271	INSERT, console (gloss black)	FLHRXS

INDEX NO.	PART NO.	DESCRIPTION	MODEL(S)
22	69200124	WIRE HARNESS, console	FLHR, FLHRXS
23	70900117	INSTRUMENT PANEL (chrome)	FLHR
23	70900744	INSTRUMENT PANEL (gloss black)	FLHRXS
24	70900379C	INSTRUMENT MODULE, mph (Domestic, California)	FLHR, FLHRXS
24	70900421C	INSTRUMENT MODULE, km/h (Canada, HDI)	FLHR, FLHRXS
24	70900616B	INSTRUMENT MODULE, dual, mph/km/h, (England)	FLHR, FLHRXS
25	71400010A	LOCKSET, complete with keys, ignition switch, cover, fork lock and saddle bag lock	FLHR, FLHRXS
26	90300043	KEY, with 61081-92 (set of 2) (specify key number)	FLHR, FLHRXS

INSTRUMENTS - FLHT, FLHTK, FLHX, FLHXS AND FLH



VIEW INTERACTIVE IMAGE

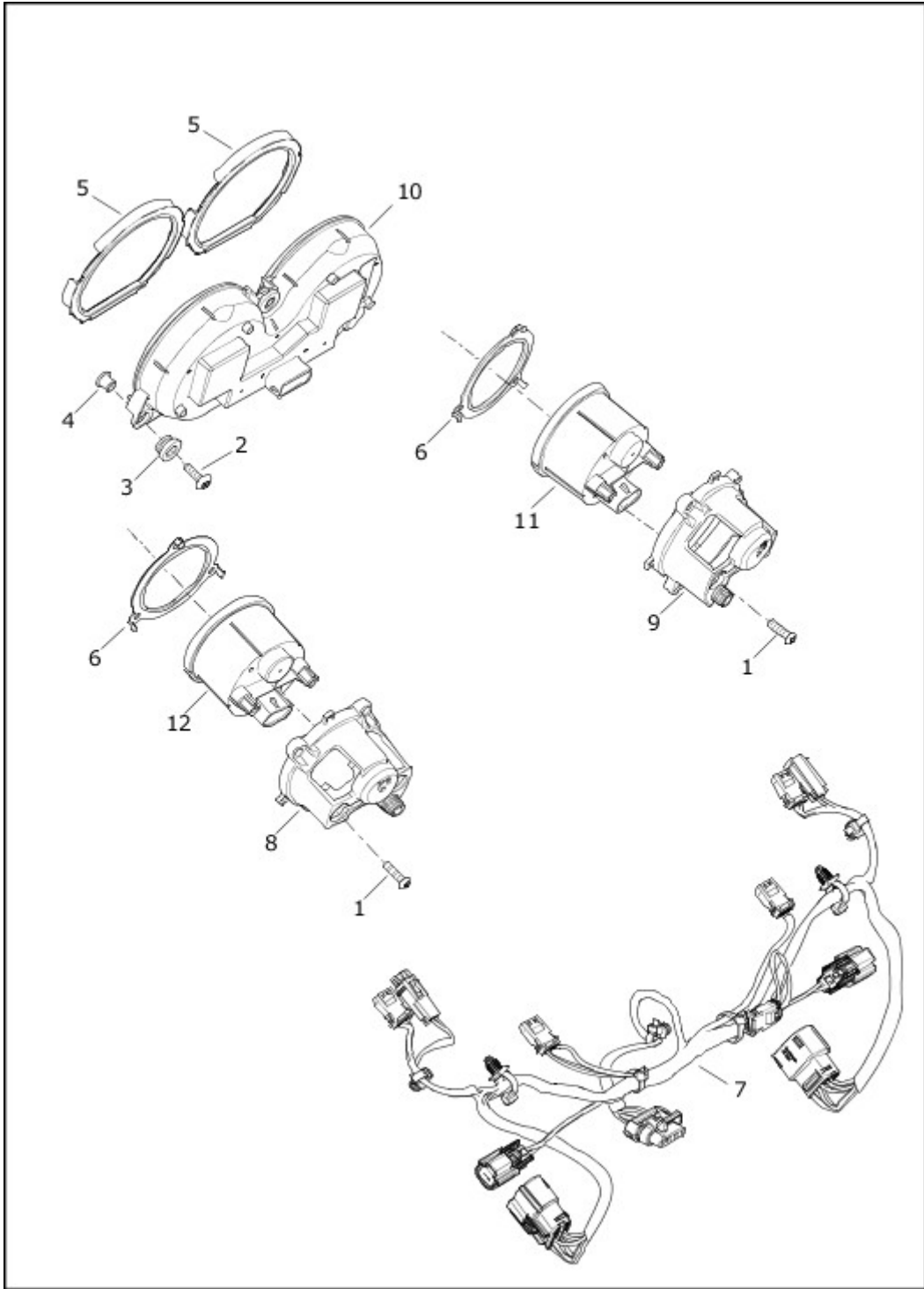
[View interactive table](#)

INDEX NO.	PART NO.	DESCRIPTION	MODEL(S)
1	2563	SCREW (6)	FLH, FLHT, FLHTK, FLHTK SHRINE, FLHX, FLHXS
2	10200147	SCREW (3)	FLH, FLHT, FLHTK, FLHTK SHRINE, FLHX, FLHXS

INDEX NO.	PART NO.	DESCRIPTION	MODEL(S)
3	12100020	GROMMET, instrument cluster mount (3)	FLH, FLHT, FLHTK, FLHTK SHRINE, FLHX, FLHXS
4	12400034	INSERT, instrument cluster mount (3)	FLH, FLHT, FLHTK, FLHTK SHRINE, FLHX, FLHXS
5	12600067	FASTENER, plastic (2)	FLH, FLHT, FLHTK, FLHTK SHRINE, FLHX, FLHXS
6	61400080	GAUGE TRIM, large (chrome) (2)	FLH, FLHT, FLHTK, FLHTK SHRINE, FLHX, FLHXS
6	61400670	GAUGE TRIM, large (black) (2)	FLHTK, FLHTK SHRINE
7	61400081	GAUGE TRIM, small (chrome) (2)	FLH, FLHT, FLHTK, FLHTK SHRINE, FLHX, FLHXS
7	61400671	GAUGE TRIM, small (black) (2)	FLHTK, FLHTK SHRINE
8	69202523	WIRING HARNESS, fairing	FLHT, FLHX, FLHXS
8	69202521	WIRING HARNESS, fairing	FLHTK, FLHTK SHRINE
8	69202712	WIRING HARNESS, fairing	FLH
9	69200257	BACK CLAMP, gauge (right)	FLH, FLHT, FLHTK, FLHTK SHRINE, FLHX, FLHXS
10	69200258	BACK CLAMP, gauge (left)	FLH, FLHT, FLHTK, FLHTK SHRINE, FLHX, FLHXS
11	70900118D	INSTRUMENT MODULE, mph, with 12100020 and 12400034 (Domestic, California)	FLH, FLHTK, FLHTK SHRINE
11	70900119C	INSTRUMENT MODULE, km/h, with 12100020 and 12400034 (Brazil, Canada, HDI, Australia, Japan, Asia-Pacific, China)	FLH, FLHTK, FLHTK SHRINE
11	70900120C	INSTRUMENT MODULE, dual - mph/km/h, with 12100020 and 12400034 (England)	FLH, FLHTK, FLHTK SHRINE
11	70900121D	INSTRUMENT MODULE, mph, with 12100020 and 12400034 (Domestic, California) (black)	FLHT, FLHXS
11	70900122C	INSTRUMENT MODULE, km/h, with 12100020 and 12400034 (Canada, HDI, Australia, Japan, Asia-Pacific, Brazil, China) (black)	FLHT, FLHXS
11	70900123C	INSTRUMENT MODULE, dual - mph/km/h, with 12100020 and 12400034 (England) (black)	FLHT, FLHXS
11	70900124D	INSTRUMENT MODULE, mph, with 12100020 and 12400034 (Domestic, California) (silver)	FLHX
11	70900125C	INSTRUMENT MODULE, km/h, with 12100020 and 12400034 (Canada) (silver)	FLHX
12	70900161	FUEL GAUGE	FLH, FLHTK, FLHTK SHRINE

INDEX NO.	PART NO.	DESCRIPTION	MODEL(S)
12	70900162	FUEL GAUGE (black)	FLHT, FLHXS
12	70900163	FUEL GAUGE (silver)	FLHX
13	70900164	VOLTMETER	FLH, FLHTK, FLHTK SHRINE
13	70900165	VOLTMETER (black)	FLHT, FLHXS
13	70900166	VOLTMETER (silver)	FLHX

INSTRUMENTS - FLTRK, FLTRX AND FLTRXS



VIEW INTERACTIVE IMAGE

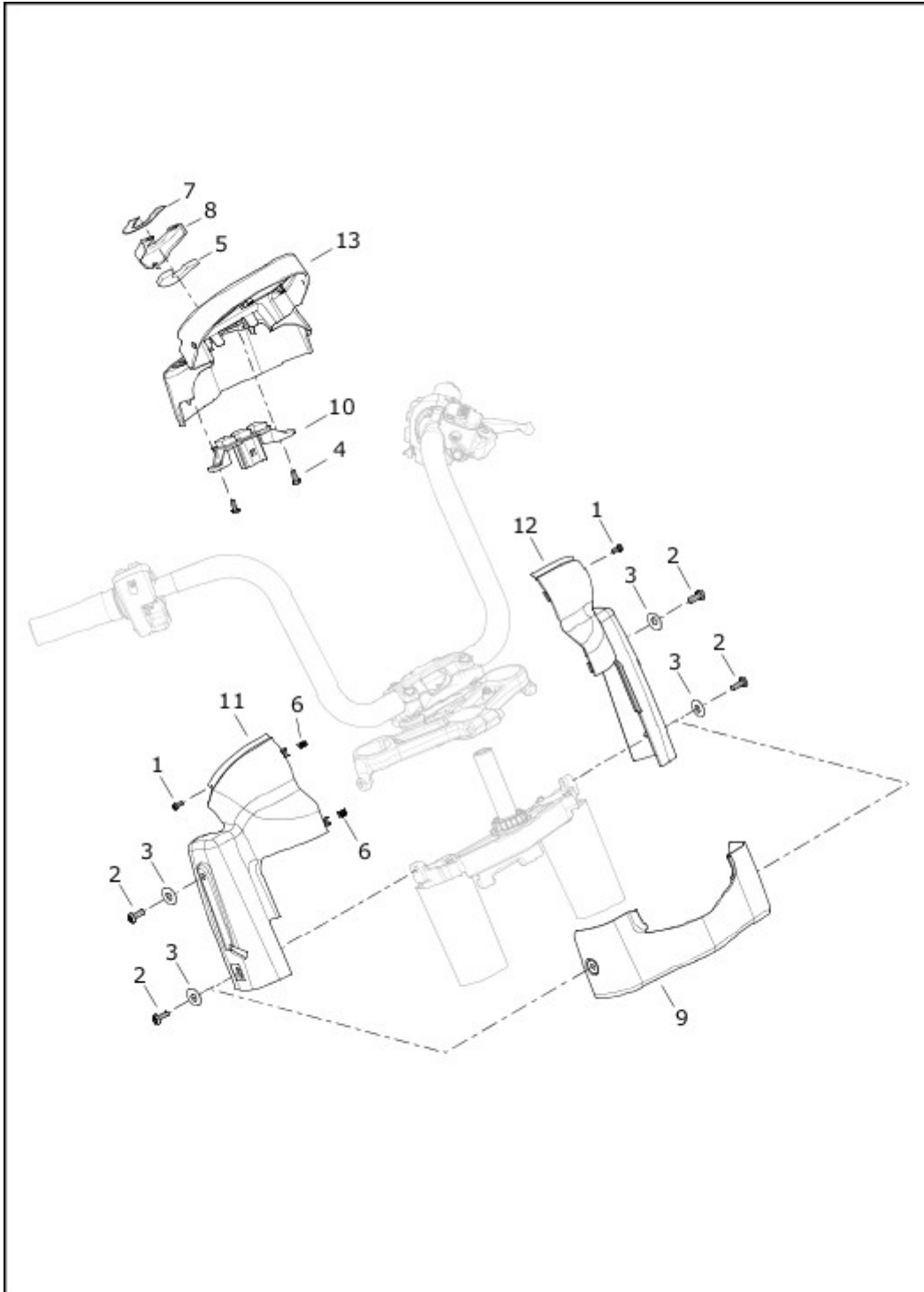
[View interactive table](#)

INDEX NO.	PART NO.	DESCRIPTION	MODEL(S)
1	2563	SCREW (6)	FLTRK, FLTRX, FLTRXS
2	10200147	SCREW (3)	FLTRK, FLTRX, FLTRXS

INDEX NO.	PART NO.	DESCRIPTION	MODEL(S)
3	12100020	GROMMET, instrument cluster mount (3)	FLTRK, FLTRX, FLTRXS
4	12400034	INSERT, instrument cluster mount (3)	FLTRK, FLTRX, FLTRXS
5	61400670	GAUGE TRIM BEZEL ASSEMBLY, large (black) (2)	FLTRK
5	61400080	GAUGE TRIM BEZEL ASSEMBLY, large (chrome) (2)	FLTRK, FLTRX, FLTRXS
6	61400081	GAUGE TRIM BEZEL ASSEMBLY, small (chrome) (2)	FLTRK, FLTRX, FLTRXS
6	61400671	GAUGE TRIM BEZEL ASSEMBLY, small (black) (2)	FLTRK
7	69200122A	WIRING HARNESS - FAIRING	FLTRK, FLTRX, FLTRXS
8	69200257	BACK CLAMP, gauge (right)	FLTRK, FLTRX, FLTRXS
9	69200258	BACK CLAMP, gauge, (left)	FLTRK, FLTRX, FLTRXS
10	70900118D	INSTRUMENT MODULE, mph, with 12100020 and 12400034 (Domestic, California)	FLTRK
10	70900119C	INSTRUMENT MODULE, km/h, with 12100020 and 12400034 (Canada, HDI)	FLTRK
10	70900120C	INSTRUMENT MODULE, dual - mph/km/h, with 12100020 and 12400034 (England)	FLTRK
10	70900121D	INSTRUMENT MODULE, mph, with 12100020 and 12400034 (Domestic, California)	FLTRXS
10	70900122C	INSTRUMENT MODULE, km/h, with 12100020 and 12400034 (Canada, HDI)	FLTRXS
10	70900123C	INSTRUMENT MODULE, dual - mph/km/h, with 12100020 and 12400034 (England)	FLTRXS
10	70900124D	INSTRUMENT MODULE, mph, with 12100020 and 12400034 (Domestic, California)	FLTRX
10	70900125C	INSTRUMENT MODULE, km/h, with 12100020 and 12400034 (Canada, HDI)	FLTRX
11	70900161	FUEL GAUGE (black)	FLTRK
11	70900162	FUEL GAUGE (black)	FLTRXS
11	70900163	FUEL GAUGE (silver)	FLTRX
12	70900164	VOLTMETER (black)	FLTRK

INDEX NO.	PART NO.	DESCRIPTION	MODEL(S)
12	70900165	VOLTMETER (black)	FLTRXS
12	70900166	VOLTMETER (silver)	FLTRX

INSTRUMENT HOUSING - FLTRK, FLTRX AND FLTRXS

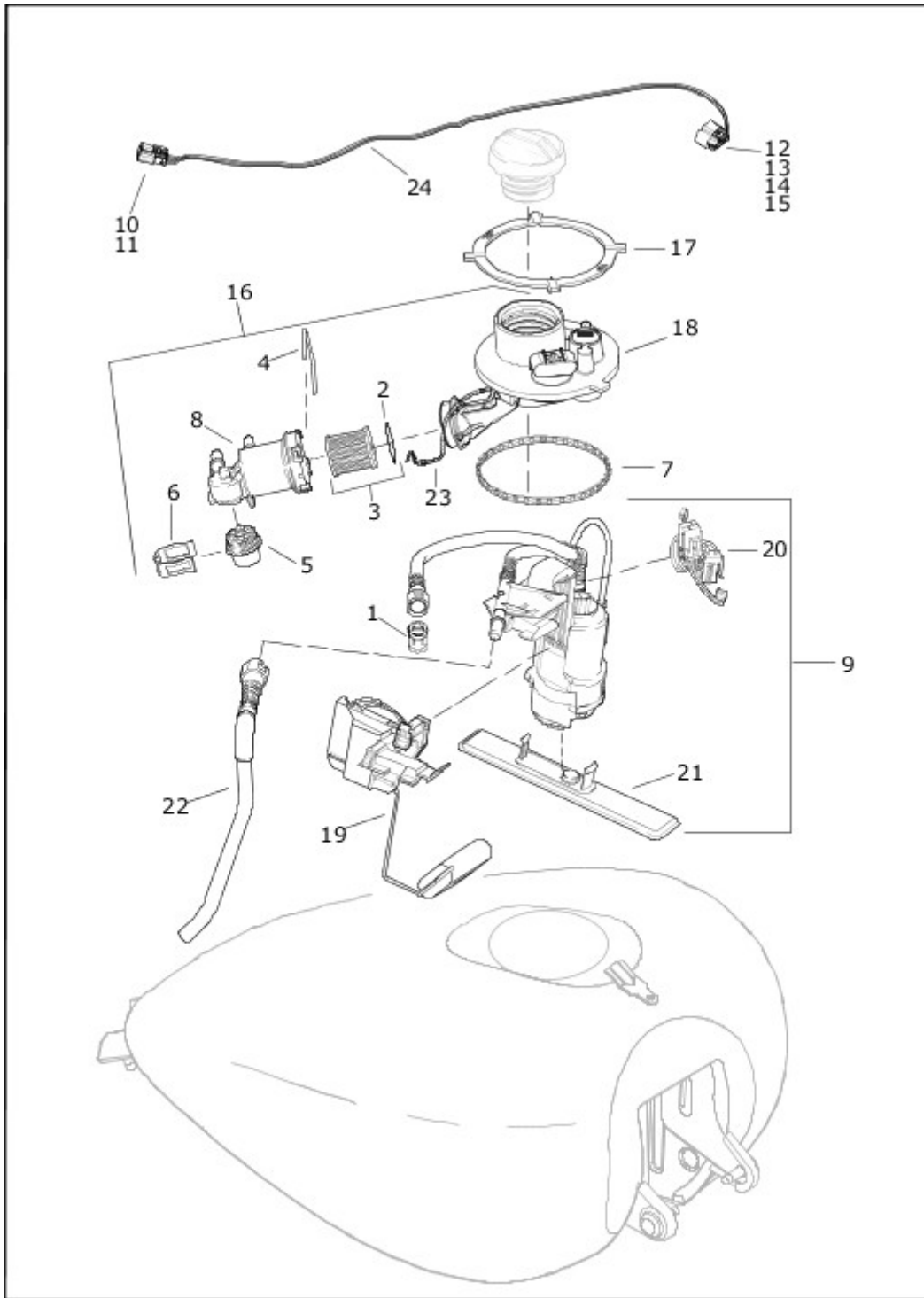


[VIEW INTERACTIVE IMAGE](#)

View interactive table

INDEX NO.	PART NO.	DESCRIPTION	MODEL(S)
1	3152	SCREW (2)	FLTRK, FLTRX, FLTRXS
2	3676	SCREW (4)	FLTRK, FLTRX, FLTRXS
3	6333	WASHER (4)	FLTRK, FLTRX, FLTRXS
4	10200205	SCREW (4)	FLTRK, FLTRX, FLTRXS
5	11100152	FOAM PAD, ignition switch	FLTRK, FLTRX, FLTRXS
6	12200025	CLIP (2)	FLTRK, FLTRX, FLTRXS
7	14101073	MEDALLION	FLTRXS
8	25700489	COVER ASSEMBLY, with 11100152 (chrome)	FLTRK, FLTRX, FLTRXS
8	25700870	COVER ASSEMBLY, with 11100152 (black)	FLTRK, FLTRXS
9	57000412	SKIRT, front (chrome)	FLTRK, FLTRX, FLTRXS
9	57000508A	SKIRT, front (unpainted) (used with chrome skirt)	FLTRK, FLTRX, FLTRXS
9	57000509DH	SKIRT, front (vivid black)	FLTRK, FLTRXS
9	57000508A	SKIRT, front (unpainted) (used with vivid black skirt)	FLTRK, FLTRXS
10	70900138	HOLE PLUG (2)	FLTRK, FLTRX, FLTRXS
11	70900372	HOUSING ASSEMBLY (right) (prime)	FLTRK, FLTRX, FLTRXS
12	70900373	HOUSING ASSEMBLY (left) (prime)	FLTRK, FLTRX, FLTRXS
13	70900374	HOUSING COVER (prime)	FLTRK, FLTRX, FLTRXS

FUEL PUMP - FLHT, FLHTK, FLHX, FLH, FLTRK AND FLTRX



VIEW INTERACTIVE IMAGE

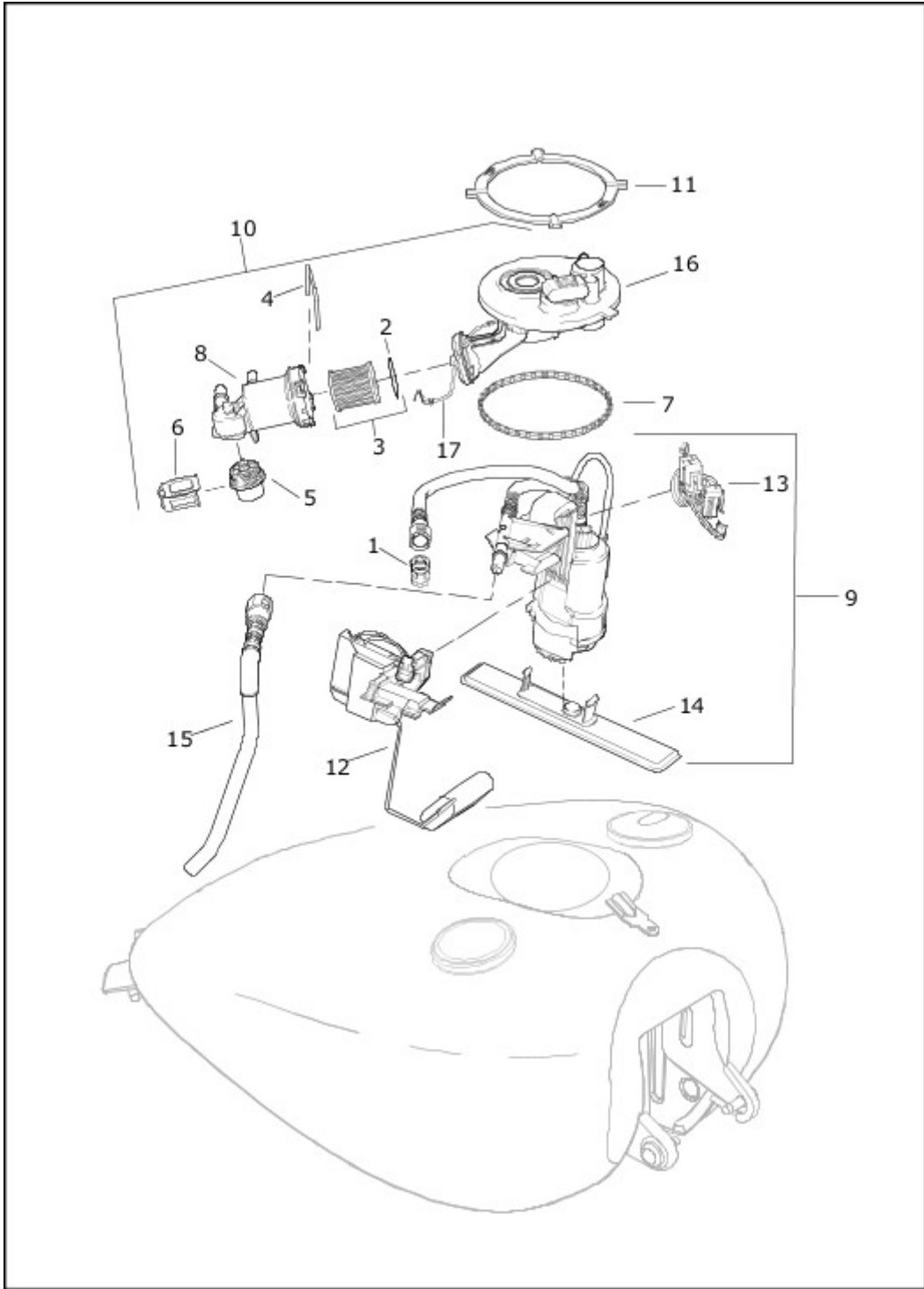
[View interactive table](#)

INDEX NO.	PART NO.	DESCRIPTION	MODEL(S)
1	10395	RETAINER, fuel line, 5/16 in (black)	FLH, FLHT, FLHTK, FLHTK SHRINE, FLHX, FLTRK, FLTRX
2	11686	O-RING	FLH, FLHT, FLHTK, FLHTK SHRINE, FLHX, FLTRK, FLTRX

INDEX NO.	PART NO.	DESCRIPTION	MODEL(S)
3	61011-04A	FUEL FILTER KIT, with 11686	FLH, FLHT, FLHTK, FLHTK SHRINE, FLHX, FLTRK, FLTRX
4	61012-04A	CLIP, filter retainer	FLH, FLHT, FLHTK, FLHTK SHRINE, FLHX, FLTRK, FLTRX
5	61015-04A	FUEL REGULATOR ASSEMBLY KIT, with O-rings, spacer and screen	FLH, FLHT, FLHTK, FLHTK SHRINE, FLHX, FLTRK, FLTRX
6	61213-04A	CLIP, regulator retainer	FLH, FLHT, FLHTK, FLHTK SHRINE, FLHX, FLTRK, FLTRX
7	61402-08	GASKET, top plate	FLH, FLHT, FLHTK, FLHTK SHRINE, FLHX, FLTRK, FLTRX
8	62229-08B	FILTER SHELL	FLH, FLHT, FLHTK, FLHTK SHRINE, FLHX, FLTRK, FLTRX
9	62908-08	PUMP ASSEMBLY, fuel, with 10395, 75229-08 and 75254-04A	FLH, FLHT, FLHTK, FLHTK SHRINE, FLHX, FLTRK, FLTRX
10	72168-07	TERMINAL, socket, 18-20 AWG (4)	FLH, FLHT, FLHTK, FLHTK SHRINE, FLHX, FLTRK, FLTRX
11	72444-07GY	HOUSING, four-way, socket (gray)	FLH, FLHT, FLHTK, FLHTK SHRINE, FLHX, FLTRK, FLTRX
12	72485-07	HOUSING, four-way socket (black)	FLH, FLHT, FLHTK, FLHTK SHRINE, FLHX, FLTRK, FLTRX
13	72493-07	TERMINAL, socket, 16-18 AWG (4)	FLH, FLHT, FLHTK, FLHTK SHRINE, FLHX, FLTRK, FLTRX
14	72494-07	WIRE SEAL, 16-18 AWG (yellow) (4)	FLH, FLHT, FLHTK, FLHTK SHRINE, FLHX, FLTRK, FLTRX
15	72557-07	SECONDARY LOCK, four-way socket	FLH, FLHT, FLHTK, FLHTK SHRINE, FLHX, FLTRK, FLTRX
16	75069-08D	TOP PLATE ASSEMBLY, with 3, 4, 5, 6, 8, 18 and 23	FLH, FLHT, FLHTK, FLHTK SHRINE, FLHX, FLTRK, FLTRX
17	75089-08	RING, fuel tank, cam	FLH, FLHT, FLHTK, FLHTK SHRINE, FLHX, FLTRK, FLTRX
18	60900036	TOP PLATE	FLH, FLHT, FLHTK, FLHTK SHRINE, FLHX, FLTRK, FLTRX
19	75205-08A	FUEL LEVEL SENDER	FLH, FLHT, FLHTK, FLHTK SHRINE, FLHX, FLTRK, FLTRX
20	75229-08	HARNESS, fuel pump module	FLH, FLHT, FLHTK, FLHTK SHRINE, FLHX, FLTRK, FLTRX
21	75254-04A	STRAINER, fuel pump inlet	FLH, FLHT, FLHTK, FLHTK SHRINE, FLHX, FLTRK, FLTRX

INDEX NO.	PART NO.	DESCRIPTION	MODEL(S)
22	75269-08	TRANSFER TUBE, fuel pump	FLH, FLHT, FLHTK, FLHTK SHRINE, FLHX, FLTRK, FLTRX
23	75322-09	GROUND HARNESS	FLH, FLHT, FLHTK, FLHTK SHRINE, FLHX, FLTRK, FLTRX
24	69200125	WIRE HARNESS, console, with 72168-07, 72444-07GY, 72485-07, 72493-07, 72494-07 and 72557-07	FLH, FLHT, FLHTK, FLHTK SHRINE, FLHX, FLTRK, FLTRX

FUEL PUMP - FLHR, FLHRXS, FLHXS AND FLTRXS



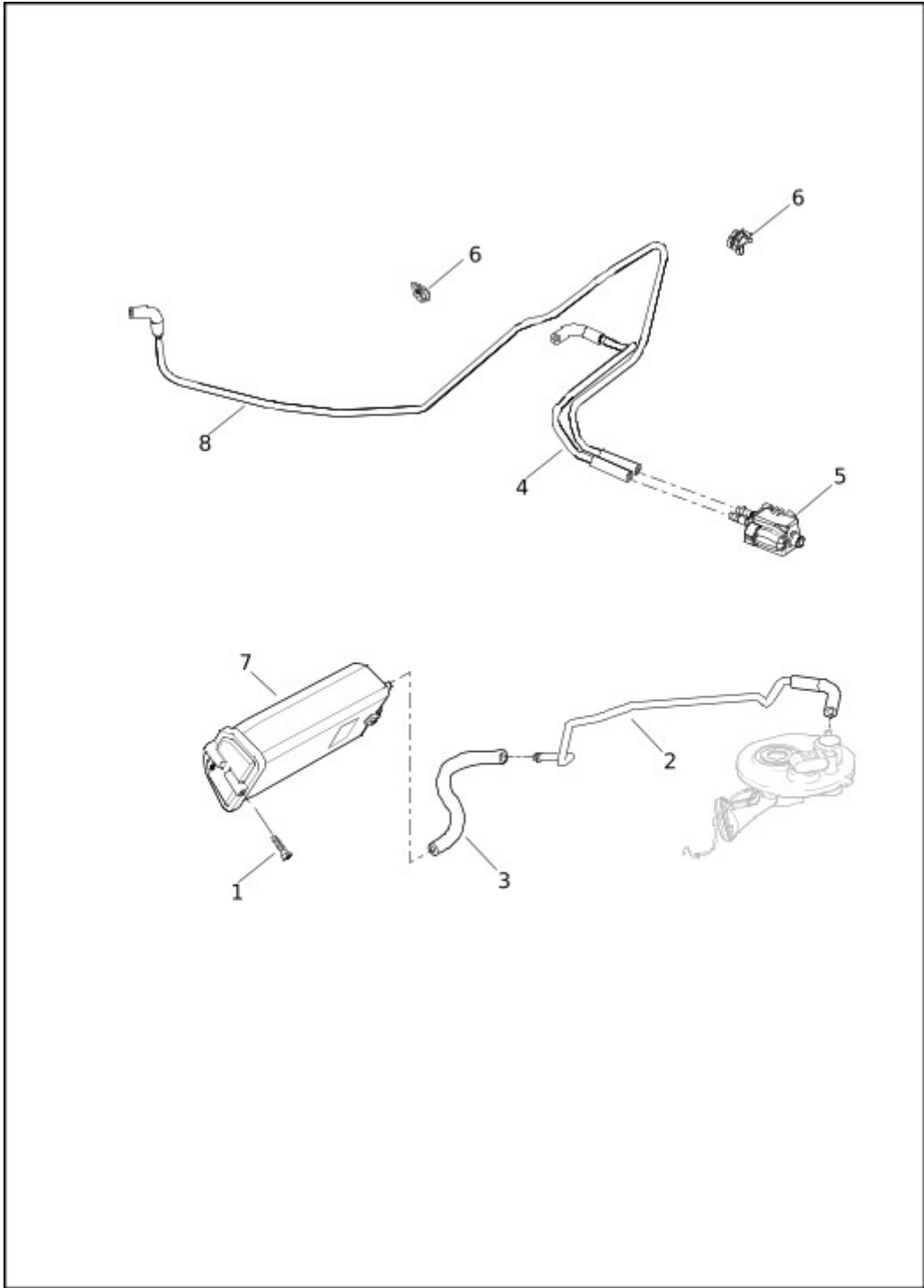
VIEW INTERACTIVE IMAGE

[View interactive table](#)

INDEX NO.	PART NO.	DESCRIPTION	MODEL(S)
1	10395	RETAINER, fuel line, 5/16 in (black)	FLHR, FLHRXS, FLHXS, FLTRXS
2	11686	O-RING	FLHR, FLHRXS, FLHXS, FLTRXS

INDEX NO.	PART NO.	DESCRIPTION	MODEL(S)
3	61011-04A	FUEL FILTER KIT, with 11686	FLHR, FLHRXS, FLHXS, FLTRXS
4	61012-04A	CLIP, filter retainer	FLHR, FLHRXS, FLHXS, FLTRXS
5	61015-04A	FUEL REGULATOR ASSEMBLY KIT, with O-rings, spacer and screen	FLHR, FLHRXS, FLHXS, FLTRXS
6	61213-04A	CLIP, regulator retainer	FLHR, FLHRXS, FLHXS, FLTRXS
7	61402-08	GASKET, top plate	FLHR, FLHRXS, FLHXS, FLTRXS
8	62229-08B	FILTER SHELL	FLHR, FLHRXS, FLHXS, FLTRXS
9	62908-08	PUMP ASSEMBLY, fuel, with 10395, 75229-08 and 75254-04A	FLHR, FLHRXS, FLHXS, FLTRXS
10	75076-08B	TOP PLATE ASSEMBLY, with 3, 4, 5, 6, 8, 16 and 17	FLHR, FLHRXS, FLHXS, FLTRXS
11	75089-08	RING, fuel tank, cam	FLHR, FLHRXS, FLHXS, FLTRXS
12	75205-08A	FUEL LEVEL SENDER	FLHR, FLHRXS, FLHXS, FLTRXS
13	75229-08	HARNESS, fuel pump module	FLHR, FLHRXS, FLHXS, FLTRXS
14	75254-04A	STRAINER, fuel pump inlet	FLHR, FLHRXS, FLHXS, FLTRXS
15	75269-08	TRANSFER TUBE, fuel pump	FLHR, FLHRXS, FLHXS, FLTRXS
16	75291-08A	TOP PLATE	FLHR, FLHRXS, FLHXS, FLTRXS
17	75322-09	GROUND HARNESS	FLHR, FLHRXS, FLHXS, FLTRXS

EVAPORATIVE EMISSIONS COMPONENTS



VIEW INTERACTIVE IMAGE

View interactive table

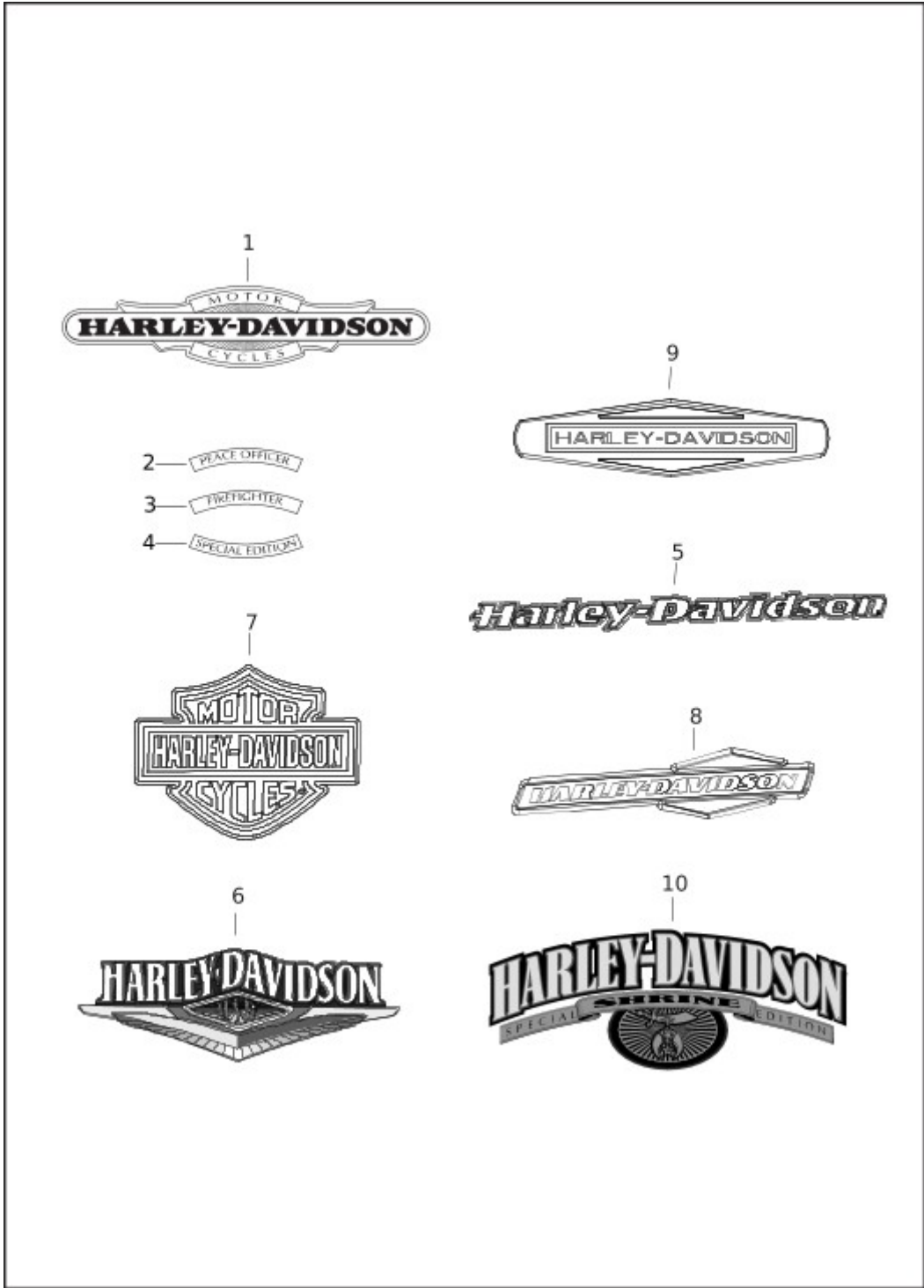
INDEX NO.	PART NO.	DESCRIPTION	MODEL(S)
1	4612	SCREW (2)	ALL
2	27291-09A	LINE, evaporative (EVAP), tank to canister	ALL
3	27297-09A	LINE, evaporative (EVAP), canister	ALL

NOTE: These parts are required for motorcycles sold in California, ASEAN, Asia-Pacific, Brazil, China, England, HDI, HD2, HD4 and Japan markets.

INDEX NO.	PART NO.	DESCRIPTION	MODEL(S)
4	60800062	LINE, evaporative (EVAP), purge to canister	ALL
5	31400137	SOLENOID, purge valve	ALL
6	70681-09	RETAINER (2)	ALL
7	60800006	CARBON CANISTER	ALL
8	60800063	TUBE, solenoid to induction module	ALL

NOTE: These parts are required for motorcycles sold in California, ASEAN, Asia-Pacific, Brazil, China, England, HDI, HD2, HD4 and Japan markets.

FUEL TANK TRIM (1 OF 2)



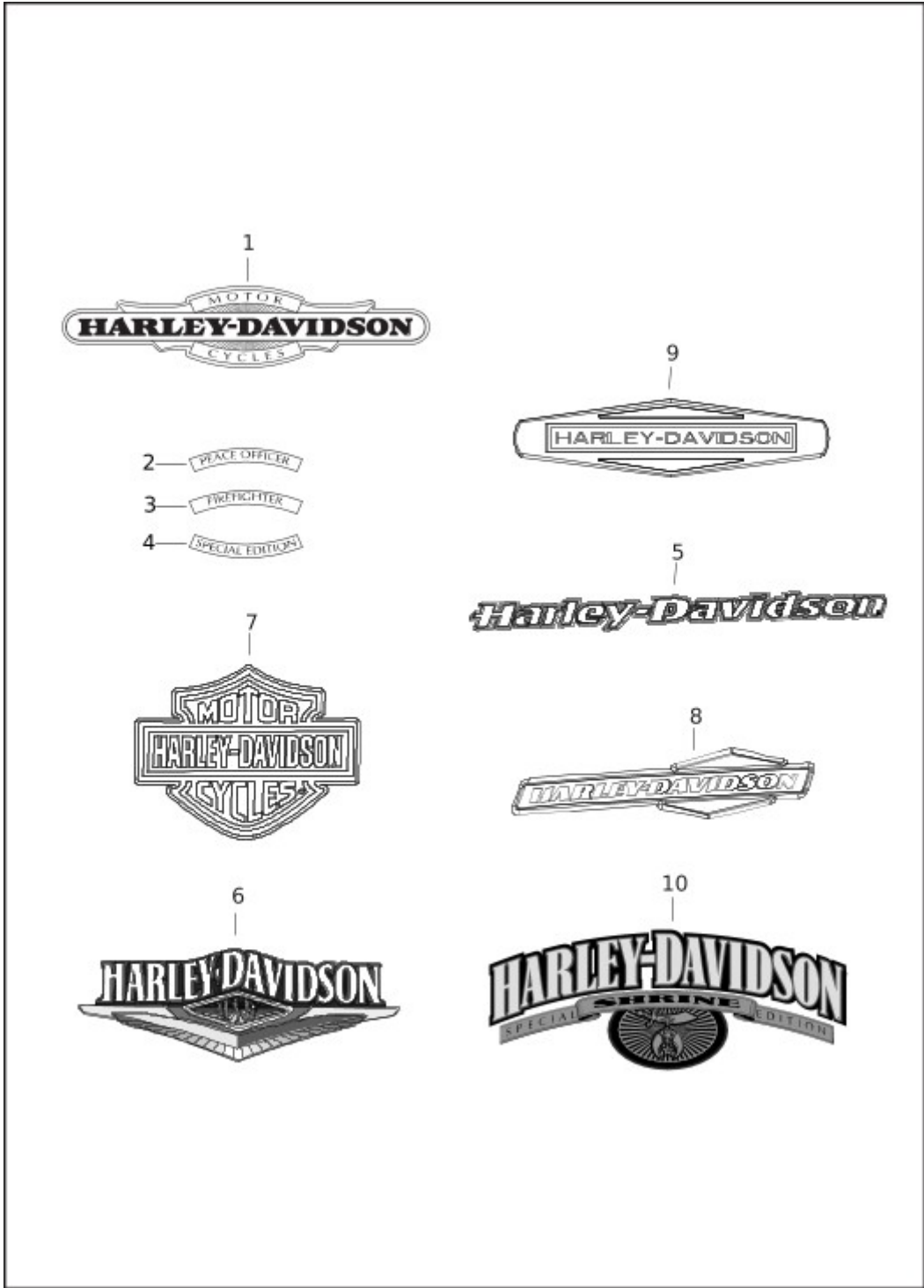
VIEW INTERACTIVE IMAGE

[View interactive table](#)

INDEX NO.	PART NO.	DESCRIPTION	MODEL(S)
NOTE: Refer to Painted Parts Book for painted part numbers.			
1	62152-08	MEDALLION, fuel tank (left) **RESTRICTED SALES PART**	FLHTK
1	62153-08	MEDALLION, fuel tank (right)	FLHTK

INDEX NO.	PART NO.	DESCRIPTION	MODEL(S)
		RESTRICTED SALES PART	
2	62241-08	INSERT, PEACE OFFICER (2) **RESTRICTED SALES PART**	FLHTK
3	62242-08	INSERT, FIREFIGHTER (2) **RESTRICTED SALES PART**	FLHTK
4	62243-08	INSERT, SPECIAL EDITION (2) **RESTRICTED SALES PART**	FLHTK
5	14101240	MEDALLION (right) (chrome) (for vivid black, black jack metallic, midnight crimson, 2-tone billiard red/vivid black, 2-tone gauntlet gray metallic/vivid black)	FLHTK, FLTRK
5	14101241	MEDALLION (left) (chrome) (for vivid black, black jack metallic, midnight crimson, 2-tone billiard red/vivid black, 2-tone gauntlet gray metallic/vivid black)	FLHTK, FLTRK
5	14101277	MEDALLION (right) (gloss black) (for vivid black, black jack metallic, gauntlet gray metallic, 2-tone billiard red/vivid black, 2-tone river rock gray denim/black denim, 2-tone gauntlet gray metallic/vivid black, 2-tone deadwood green/vivid black)	FLHTK
5	14101278	MEDALLION (left) (gloss black) (for vivid black, black jack metallic, gauntlet gray metallic, 2-tone billiard red/vivid black, 2-tone river rock gray denim/black denim, 2-tone gauntlet gray metallic/vivid black, 2-tone deadwood green/vivid black)	FLHTK
5	14101277	MEDALLION (right) (gloss black) (for vivid black, black jack metallic, gauntlet gray metallic, 2-tone river rock gray denim/black denim, 2-tone gauntlet gray metallic/vivid black)	FLTRK
5	14101278	MEDALLION (left) (gloss black) (for vivid black, black jack metallic, gauntlet gray metallic, 2-tone river rock gray denim/black denim, 2-tone gauntlet gray metallic/vivid black)	FLTRK
6	14100079	MEDALLION (right) (for vivid black, billiard red, 2-tone midnight crimson/stone washed white pearl)	FLHR
6	14100080	MEDALLION (left) (for vivid black, billiard red, 2-tone midnight crimson/stone washed white pearl)	FLHR

FUEL TANK TRIM (2 OF 2)



VIEW INTERACTIVE IMAGE

[View interactive table](#)

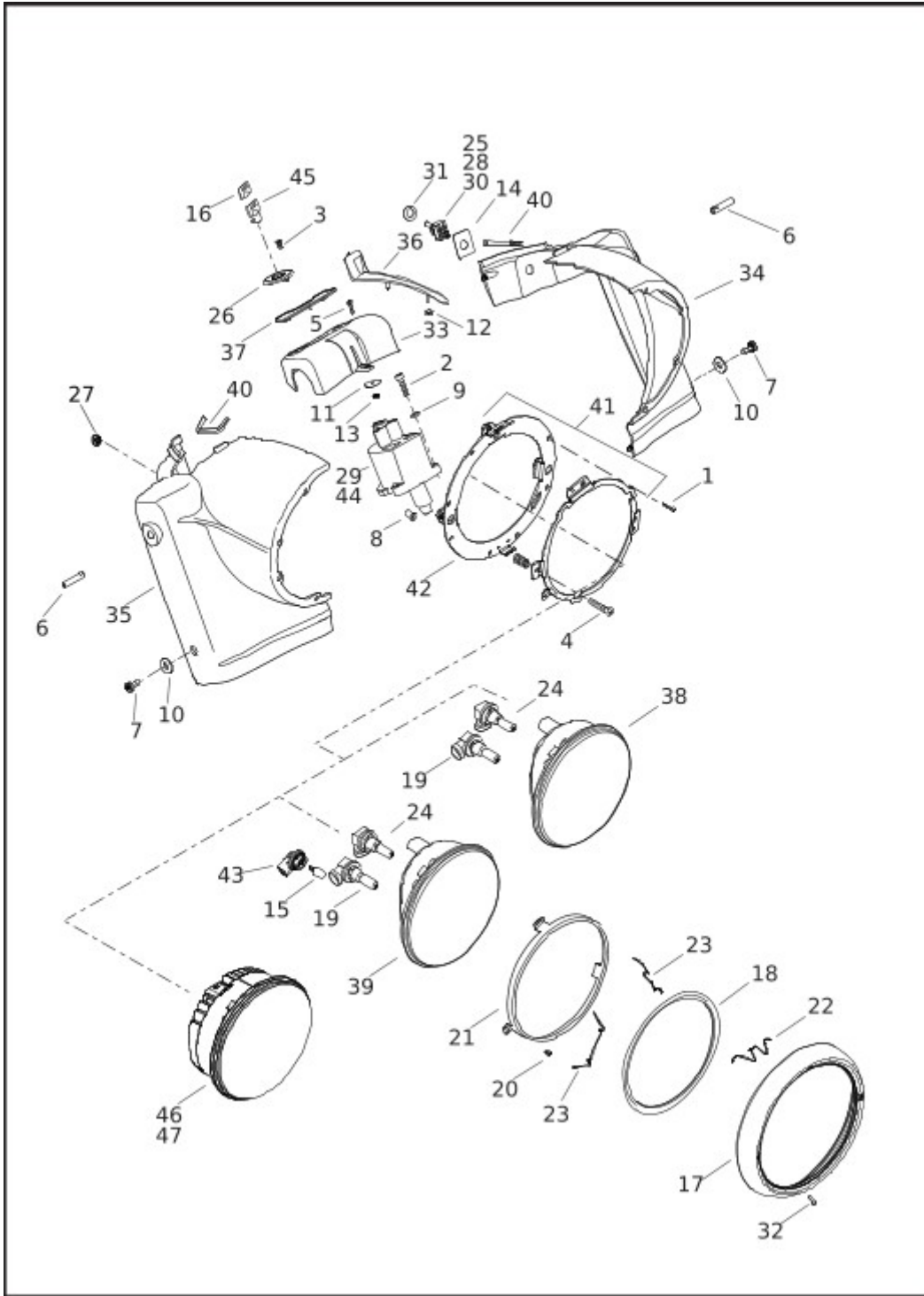
INDEX NO.	PART NO.	DESCRIPTION	MODEL(S)
NOTE: Refer to Painted Parts Book for painted part numbers.			
7	14101244	MEDALLION (right) (for vivid black, black jack metallic, stone washed white pearl, deadwood green)	FLHRXS

Index number 10 is a decal only sold as part of FLHTK (Shrine) fuel tank assembly

INDEX NO.	PART NO.	DESCRIPTION	MODEL(S)
7	14101245	MEDALLION (left) (for vivid black, black jack metallic, stone washed white pearl, deadwood green)	FLHRXS
7	14101244	MEDALLION (right) (for vivid black, black jack metallic, gauntlet gray metallic, billiard red, deadwood green denim, 2-tone billiard red/vivid black, 2-tone gauntlet gray metallic/vivid black)	FLHXS
7	14101245	MEDALLION (left) (for vivid black, black jack metallic, gauntlet gray metallic, billiard red, deadwood green denim, 2-tone billiard red/vivid black, 2-tone gauntlet gray metallic/vivid black)	FLHXS
7	14101244	MEDALLION (right) (for vivid black, billiard teal, midnight crimson, river rock gray denim, 2-tone billiard red/vivid black, 2-tone gauntlet gray metallic/vivid black)	FLTRXS
7	14101245	MEDALLION (left) (for vivid black, billiard teal, midnight crimson, river rock gray denim, 2-tone billiard red/vivid black, 2-tone gauntlet gray metallic/vivid black)	FLTRXS
8	14101238	MEDALLION (right) (for vivid black, river rock gray, billiard red)	FLHX, FLTRX
8	14101239	MEDALLION (left) (for vivid black, river rock gray, billiard red)	FLHX, FLTRX
9	14101509	MEDALLION (right) (for hi-fi blue/birch white, 2-tone hi-fi blue/black denim) **RESTRICTED SALES PART**	FLH
9	14101510	MEDALLION (left) (for hi-fi blue/birch white, 2-tone hi-fi blue/black denim) **RESTRICTED SALES PART**	FLH

Index number 10 is a decal only sold as part of FLHTK (Shrine) fuel tank assembly

NACELLE AND HEADLAMP - FLHR AND FLHRXS (1 OF 2)



VIEW INTERACTIVE IMAGE

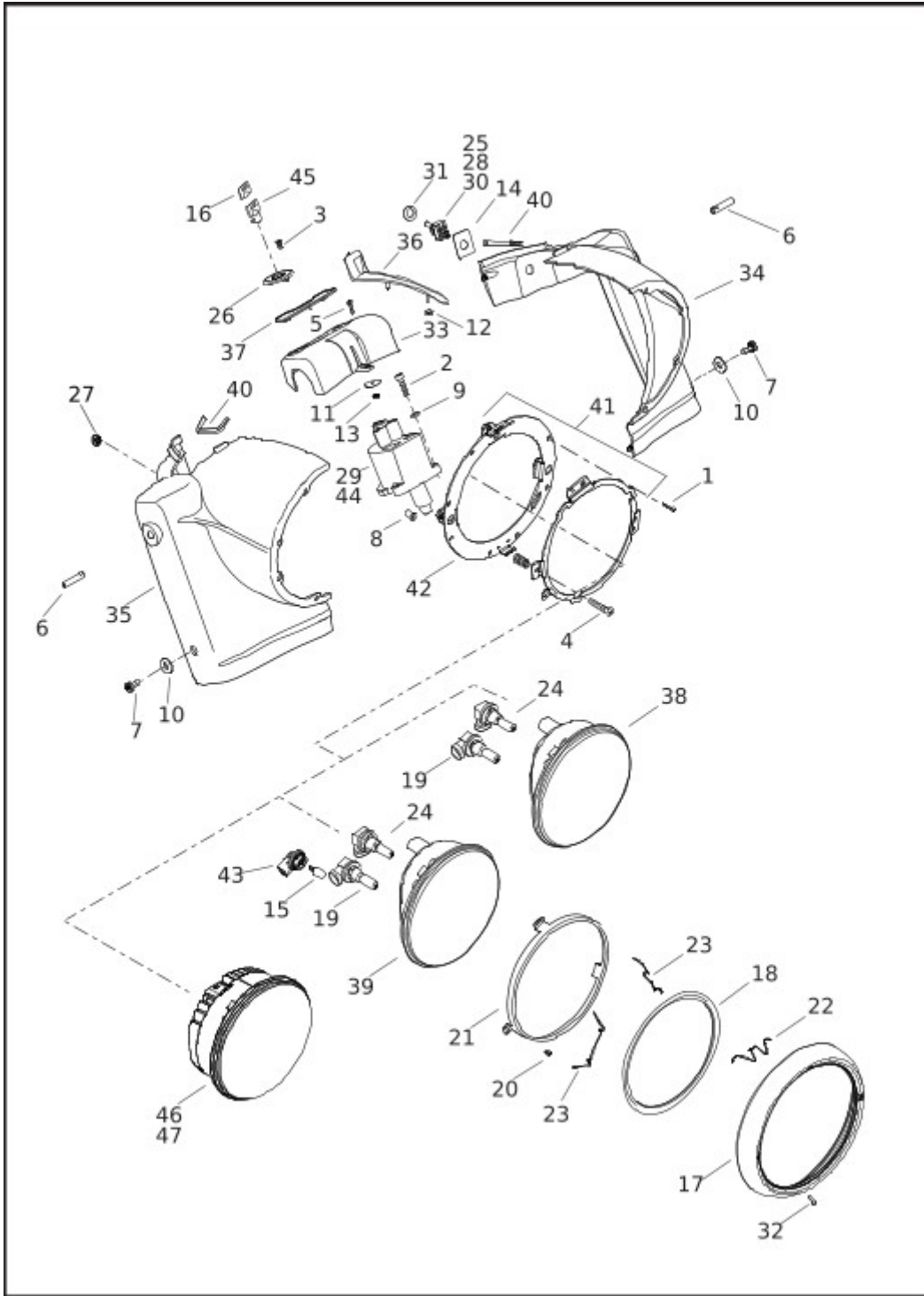
[View interactive table](#)

INDEX NO.	PART NO.	DESCRIPTION	MODEL(S)
1	787	SCREW (8)	FLHR, FLHRXS
2	2647B	SCREW (2)	FLHR, FLHRXS

INDEX NO.	PART NO.	DESCRIPTION	MODEL(S)
3	2933	SCREW (2)	FLHR, FLHRXS
4	3088	SCREW (3)	FLHR, FLHRXS
5	3225	BOLT	FLHR, FLHRXS
6	3265A	STUD (4)	FLHR
7	3676	SCREW (4)	FLHRXS
8	5210	WELL NUT (8)	FLHR, FLHRXS
9	6150W	WASHER (2)	FLHR, FLHRXS
10	6333	WASHER (4)	FLHRXS
11	6789	WASHER	FLHR, FLHRXS
12	7888A	NUT	FLHR, FLHRXS
13	7889	NUT	FLHR, FLHRXS
14	15346-98A	LABEL, fog lamp (left)	FLHR
15	53436-97	BULB, position lamp (HDI)	FLHR
16	61081-92	COVER, key-head (set of 2)	FLHR, FLHRXS
17	67712-83B	TRIM RING, headlamp (chrome)	FLHR
17	46555-03B	TRIM RING, headlamp (black)	FLHRXS
18	67716-60C	GASKET, headlamp door	FLHR, FLHRXS
19	67717-01	BULB, high beam halogen	FLHR
20	67721-48	SCREW (3)	FLHR, FLHRXS
21	67726-08	RETAINING RING	FLHR
21	67700068	RETAINING RING	FLHRXS
22	67778-60A	SPRING, trim ring, headlamp, top	FLHR, FLHRXS
23	67780-60A	SPRING, trim ring, headlamp, bottom (2)	FLHR,

INDEX NO.	PART NO.	DESCRIPTION	MODEL(S)
			FLHRXS
24	68881-01	BULB, low beam halogen	FLHR
25	70292-89	SOCKET HOUSING, four-way	FLHR
26	71310-94	TRIM ASSEMBLY, fork lock	FLHR, FLHRXS
27	71455-11	HOLE PLUG (black)	FLHR
27	71455-11	HOLE PLUG (black) (2)	FLHRXS
28	71522-08	SWITCH, auxiliary lamp and accessories, with 70292-89 and 72038-71A (except Japan)	FLHR
28	71565-08	SWITCH, illuminated, with 70292-89 and 72038-71A (Japan)	FLHR
29	71540-94B	FORK LOCK (specify key number)	FLHR, FLHRXS
30	72038-71A	TERMINAL, socket (except Japan) (4)	FLHR
30	72038-71A	TERMINAL SOCKET (Japan) (3)	FLHR
31	74408-08A	DRESS NUT (chrome)	FLHR
32	10200156	SCREW	FLHR, FLHRXS
33	55800091	COVER, handlebar (chrome)	FLHR
33	55800761	COVER, handlebar (black)	FLHRXS
34	61300095	NACELLE (left) (chrome)	FLHR
34	61300097	NACELLE (left) (black)	FLHRXS
35	61300096	NACELLE (right) (chrome)	FLHR
35	61300098	NACELLE (right) (black)	FLHRXS
36	61400077	TRIM, nacelle (chrome)	FLHR
36	61400498	TRIM, nacelle (gloss black)	FLHRXS

NACELLE AND HEADLAMP - FLHR AND FLHRXS (2 OF 2)



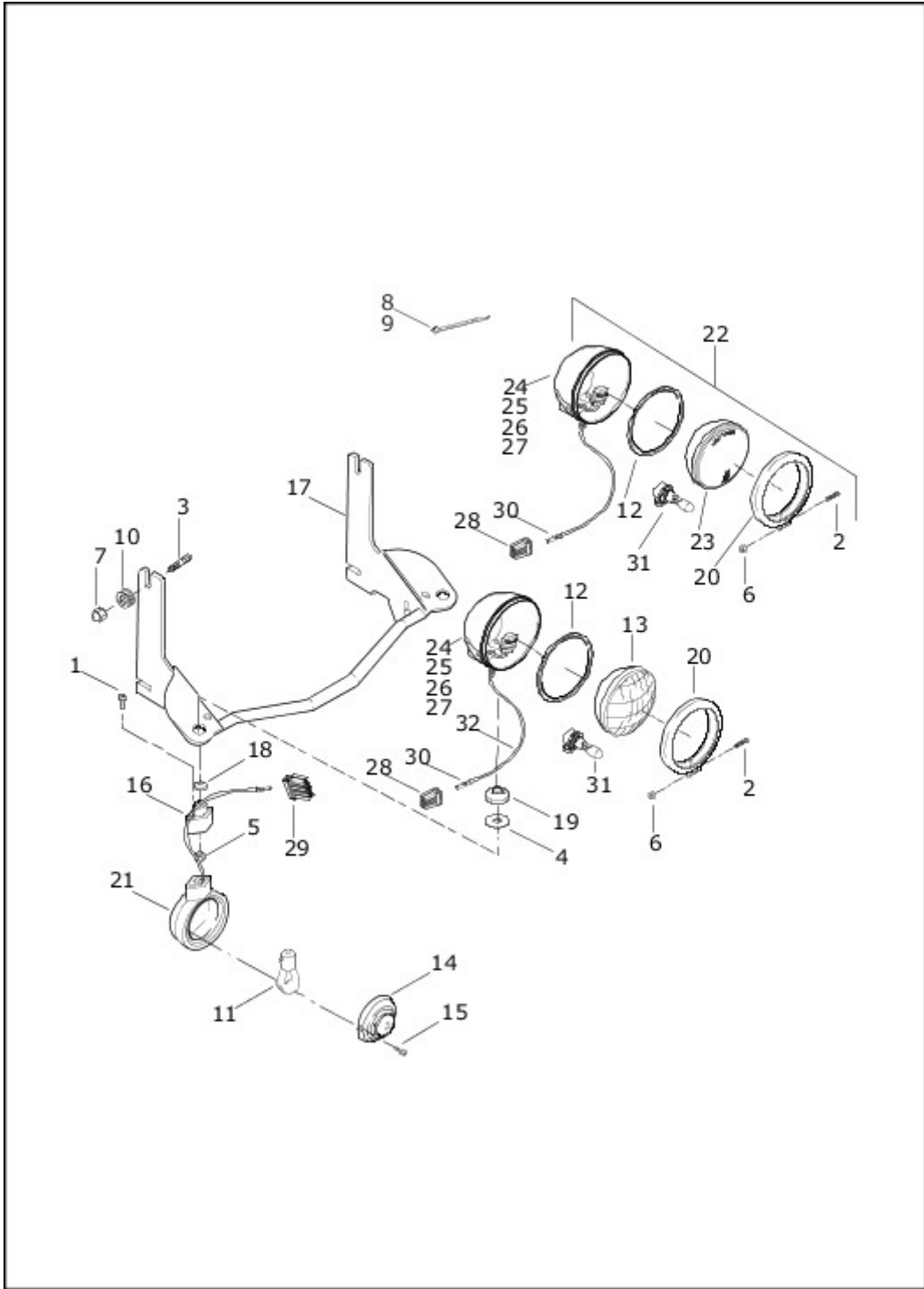
VIEW INTERACTIVE IMAGE

[View interactive table](#)

INDEX NO.	PART NO.	DESCRIPTION	MODEL(S)
37	61400159	INSERT, handlebar cover	FLHR, FLHRXS
38	67700062	HEADLAMP ASSEMBLY, dual halogen, with 67717-01 and 68881-01(Domestic)	FLHR
39	67700065	HEADLAMP ASSEMBLY, dual halogen, with 53436-97, 67717-01, 68881-01 and	FLHR

INDEX NO.	PART NO.	DESCRIPTION	MODEL(S)
		68000038 (HDI)	
40	67700105	TRIM (2)	FLHR, FLHRXS
41	67700204	MOUNTING RING ASSEMBLY, with 3088 and 67700205	FLHR, FLHRXS
42	67700205	MOUNTING RING, headlamp	FLHR, FLHRXS
43	68000038	CONNECTOR, position bulb (HDI)	FLHR
44	71400010A	LOCKSET, complete, with keys, ignition switch, fork lock and saddle bag lock	FLHR, FLHRXS
45	90300043	KEY, with 61081-92 (set of 2) (specify key number)	FLHR, FLHRXS
46	67700329	HEADLAMP ASSEMBLY, LED, with 20, 21, 41, 47 (Domestic)	FLHRXS
46	67700457	HEADLAMP ASSEMBLY, LED, with 20, 21, 41, 47 (HDI)	FLHRXS
47	67700249	HEADLAMP (Domestic)	FLHRXS
47	67700269	HEADLAMP (HDI)	FLHRXS

AUXILIARY/FOG LAMPS AND TURN SIGNALS, FRONT - FLHR



VIEW INTERACTIVE IMAGE

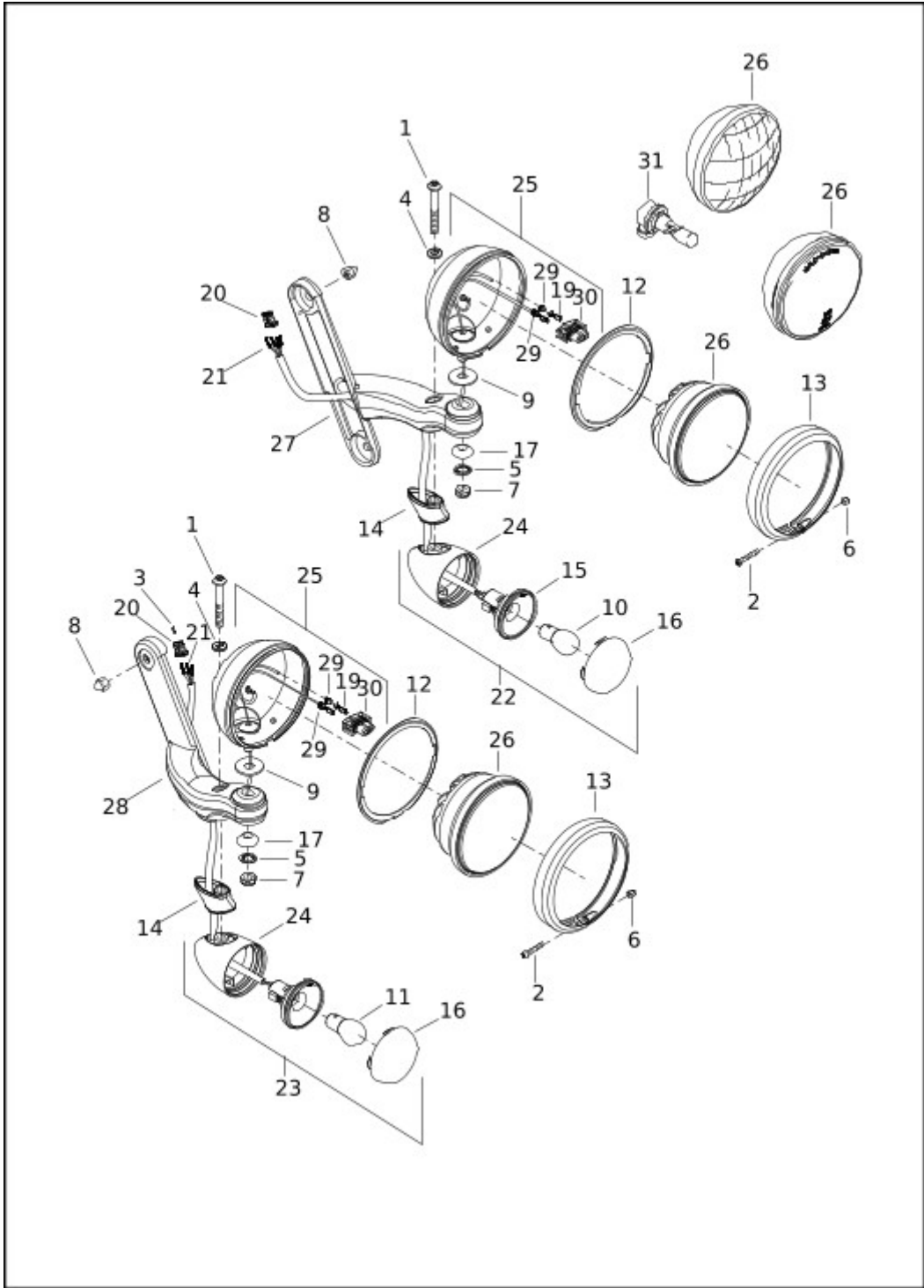
[View interactive table](#)

INDEX NO.	PART NO.	DESCRIPTION	MODEL(S)
1	2647B	SCREW (4)	FLHR
2	3514	SCREW (2)	FLHR
3	3265A	STUD (4)	FLHR

INDEX NO.	PART NO.	DESCRIPTION	MODEL(S)
4	6072	WASHER (2)	FLHR
5	7601	LOCKNUT (2)	FLHR
6	7606	LOCKNUT (2)	FLHR
7	7992	ACORN NUT (4)	FLHR
8	10039	CABLE STRAP (2)	FLHR
9	10065	CABLE STRAP	FLHR
10	67621-94	BUSHING (4)	FLHR
11	68168-89A	BULB, turn signal (Domestic) (2)	FLHR
11	68163-84	BULB, turn signal (2) (HDI)	FLHR
12	68331-02	RING, auxiliary lamps (2)	FLHR
13	68414-05A	LAMP, auxiliary, with 68000056 (Domestic) (2)	FLHR
14	68440-86	LENS, turn signal (Domestic) (amber) (2)	FLHR
14	68505-90	LENS, turn signal (HDI) (amber) (2)	FLHR
15	68452-86	SCREW (4)	FLHR
16	68519-68A	MOUNTING BRACKET (2)	FLHR
17	68712-94A	BRACKET, auxiliary/fog lamps	FLHR
18	68720-62	CLAMP BLOCK, auxiliary/fog lamps (2)	FLHR
19	68721-62	SWIVEL BLOCK, auxiliary/fog lamps (2)	FLHR
20	68725-62A	BEZEL RING, auxiliary/fog lamps (2)	FLHR
21	68766-94	TURN SIGNAL ASSEMBLY, with 68168-89A, 68440-86 and 68452-86 (Domestic) (2)	FLHR
21	68767-94	TURN SIGNAL, with 68163-84, 68452-86 and 68505-90 (2) (HDI)	FLHR
22	68846-09	FOG LAMP ASSEMBLY, with 3514, 7606, 68331-02, 68725-62A, 68847-09 and 72160-06 (HDI) (2)	FLHR
23	68847-09	BULB ASSEMBLY, fog lamp, with 68000056 (HDI) (2)	FLHR
24	72160-06	HOUSING, auxiliary/fog lamp, with 72161-06, 72298-95 and 72356-95 (2)	FLHR
25	72161-06	SOCKET HOUSING, two-way (2)	FLHR
26	72298-95	WIRE SEAL, 14-18 AWG (green) (4)	FLHR
27	72356-95	TERMINAL, socket, 18-20 AWG (4)	FLHR
28	73154-96BK	SOCKET HOUSING, four-way (black)	FLHR

INDEX NO.	PART NO.	DESCRIPTION	MODEL(S)
29	73156-96BK	SOCKET HOUSING, six-way (black)	FLHR
30	73191-96	TERMINAL, socket, 16-20 AWG (Domestic) (8)	FLHR
30	73191-96	TERMINAL, socket, 16-20 AWG (HDI) (6)	FLHR
31	68000056	BULB, auxiliary/fog lamp (2)	FLHR
NOTE: Hose or insulator is sold in bulk length under the following part numbers. Cut to length.			
32	70554-69	CONDUIT (10-ft length) (black)	FLHR

AUXILIARY/FOG LAMPS AND TURN SIGNALS, FRONT - FLHTK AND FLH (1 OF 2)



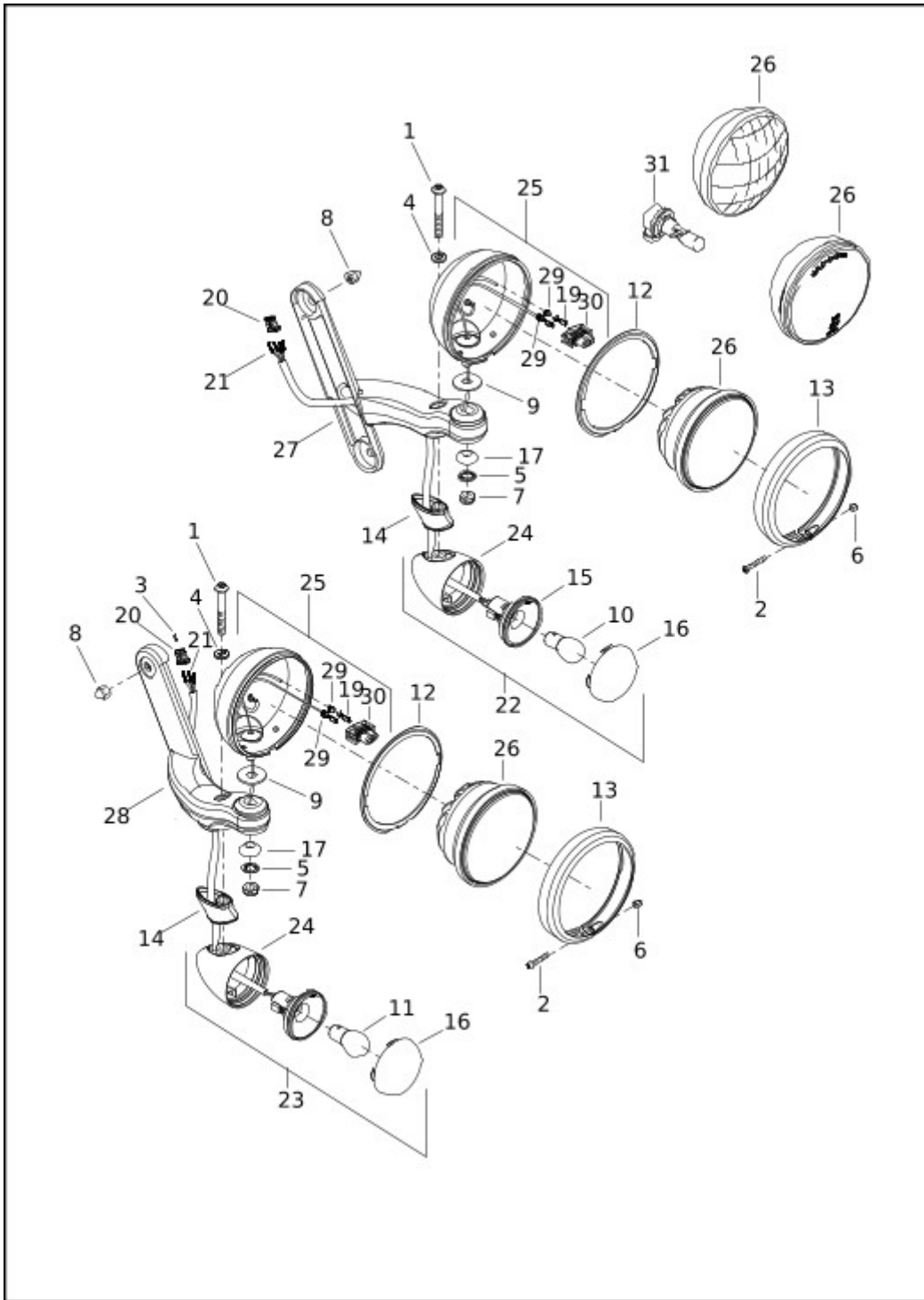
VIEW INTERACTIVE IMAGE

[View interactive table](#)

INDEX NO.	PART NO.	DESCRIPTION	MODEL(S)
1	1332	SCREW (2)	FLH, FLHTK, FLHTK SHRINE
2	3514	SCREW (2)	FLH, FLHTK, FLHTK SHRINE
3	5118	SEAL PIN (HDI) (2)	FLH, FLHTK, FLHTK SHRINE
4	7041	LOCKWASHER (2)	FLH, FLHTK, FLHTK SHRINE

INDEX NO.	PART NO.	DESCRIPTION	MODEL(S)
5	7130W	LOCKWASHER (2)	FLH, FLHTK, FLHTK SHRINE
6	7606	LOCKNUT (2)	FLH, FLHTK, FLHTK SHRINE
7	7667	NUT (2)	FLH, FLHTK, FLHTK SHRINE
8	7992	ACORN NUT (4)	FLH, FLHTK, FLHTK SHRINE
9	40901-05	ISOLATOR, rubber (2)	FLH, FLHTK, FLHTK SHRINE
10	68168-89A	BULB, turn signal (chrome) (Domestic) (2)	FLH, FLHTK, FLHTK SHRINE
10	69331-02	BULB, turn signal (black) (Domestic) (2)	FLHTK, FLHTK SHRINE
11	68163-84	BULB, turn signal (2) (HDI)	FLH, FLHTK, FLHTK SHRINE
12	68331-02	RING, auxiliary lamps (2)	FLH, FLHTK, FLHTK SHRINE
13	68725-62A	BEZEL RING, auxiliary/fog lamps (chrome) (2)	FLH, FLHTK, FLHTK SHRINE
13	67700120	BEZEL RING, auxiliary/fog lamps (black) (2)	FLHTK, FLHTK SHRINE
14	68821-00	TURN SIGNAL MOUNT, directional (chrome) (2)	FLH, FLHTK, FLHTK SHRINE
14	73333-10	TURN SIGNAL MOUNT, directional (black) (2)	FLHTK, FLHTK SHRINE
15	68904-00	SOCKET ASSEMBLY, turn signal (Domestic) (2)	FLH, FLHTK, FLHTK SHRINE

AUXILIARY/FOG LAMPS AND TURN SIGNALS, FRONT - FLHTK AND FLH (2 OF 2)



VIEW INTERACTIVE IMAGE

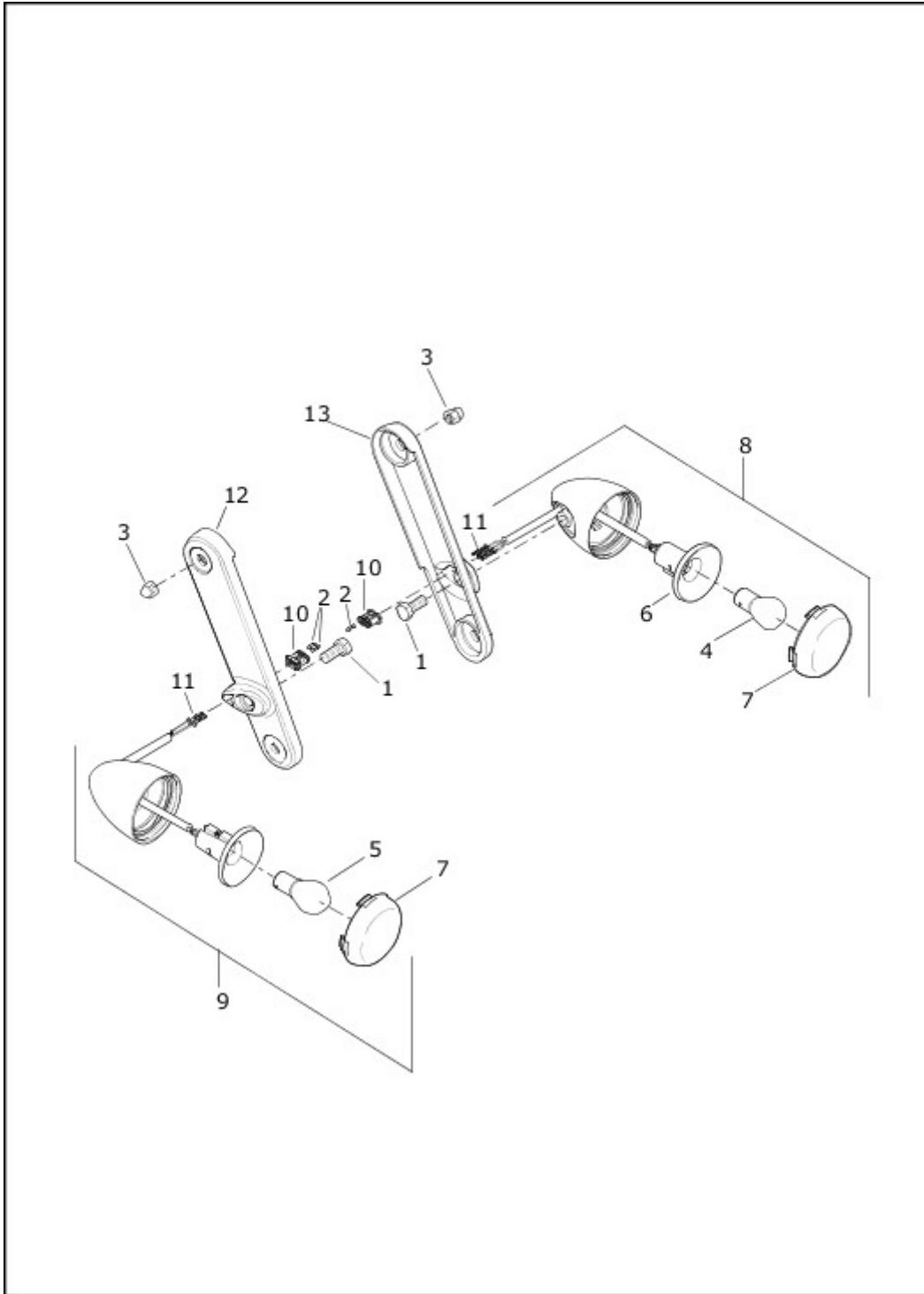
[View interactive table](#)

INDEX NO.	PART NO.	DESCRIPTION	MODEL(S)
16	68973-00	LENS (amber) (2)	FLH, FLHTK, FLHTK SHRINE
16	69325-02	LENS (smoked) (2)	FLHTK, FLHTK SHRINE

INDEX NO.	PART NO.	DESCRIPTION	MODEL(S)
17	69563-06	CLAMP BLOCK, auxiliary/fog lamps (2)	FLH, FLHTK, FLHTK SHRINE
18	72298-95	WIRE SEAL, 14-18 AWG (green) (2)	FLHTK, FLHTK SHRINE
19	72356-95	TERMINAL, socket, 18-20 AWG (4)	FLH, FLHTK, FLHTK SHRINE
20	72908-11	HOUSING, four-way socket (black) (2)	FLH, FLHTK, FLHTK SHRINE
20	72906-11	HOUSING, two-way socket (black)(not shown) (2)	FLH
21	72910-11	TERMINAL, socket, 20-22 AWG (Domestic) (8)	FLH, FLHTK, FLHTK SHRINE
21	72910-11	TERMINAL, socket, 20-22 AWG (HDI) (6)	FLH, FLHTK, FLHTK SHRINE
22	67800103	TURN SIGNAL ASSEMBLY, with 68168-89A, 68904-00, 68973-00 and 67800109 (chrome) (Domestic) (2)	FLH, FLHTK, FLHTK SHRINE
22	67801192	TURN SIGNAL ASSEMBLY, with 68904-00, 69325-02, 69331-02 (black) (Domestic) (2)	FLHTK, FLHTK SHRINE
23	67800104	TURN SIGNAL ASSEMBLY, with 68163-84, 68973-00, 67800109 and socket assembly (chrome) (HDI) (2)	FLH, FLHTK, FLHTK SHRINE
23	67801191	TURN SIGNAL ASSEMBLY, with 68163-84 and 68973-00 (black) (HDI) (2)	FLHTK, FLHTK SHRINE
24	67800109	HOUSING, turn signal (chrome) (2)	FLH, FLHTK, FLHTK SHRINE
25	68000265A	HOUSING, auxiliary/fog lamp, with 72356-95, 72910-11, 69200199 and 69200259 (chrome) (2)	FLH, FLHTK, FLHTK SHRINE
25	68000264A	HOUSING, auxiliary/fog lamp, with 72356-95, 72910-11, 69200199 and 69200529 (black) (2)	FLHTK, FLHTK SHRINE
26	68000020	AUXILIARY/FOG LAMP, LED (chrome) (2)	FLHTK, FLHTK SHRINE
26	68000174	AUXILIARY/FOG LAMP, LED (black) (2)	FLHTK, FLHTK SHRINE
26	68414-05A	AUXILIARY/FOG LAMP, with 68000056 (chrome)(Domestic) (2)	FLH
26	68847-09	AUXILIARY/FOG LAMP, with 68000056 (chrome)(HDI) (2)	FLH
27	68000021	BRACKET, auxiliary/fog lamp (chrome) (left)	FLH, FLHTK, FLHTK SHRINE
27	68000102	BRACKET, auxiliary/fog lamp (black) (left)	FLHTK, FLHTK SHRINE

INDEX NO.	PART NO.	DESCRIPTION	MODEL(S)
28	68000022	BRACKET, auxiliary/fog lamp (chrome) (right)	FLH, FLHTK, FLHTK SHRINE
28	68000103	BRACKET, auxiliary/fog lamp (black) (right)	FLHTK, FLHTK SHRINE
29	69200199	WIRE SEAL, 18-20 AWG (purple) (2)	FLH, FLHTK, FLHTK SHRINE
30	69200529	HOUSING, two-way socket (2)	FLH, FLHTK, FLHTK SHRINE
31	68000056	BULB, auxiliary/fog lamp (2)	FLH

TURN SIGNALS, FRONT - FLHT, FLHX AND FLHXS



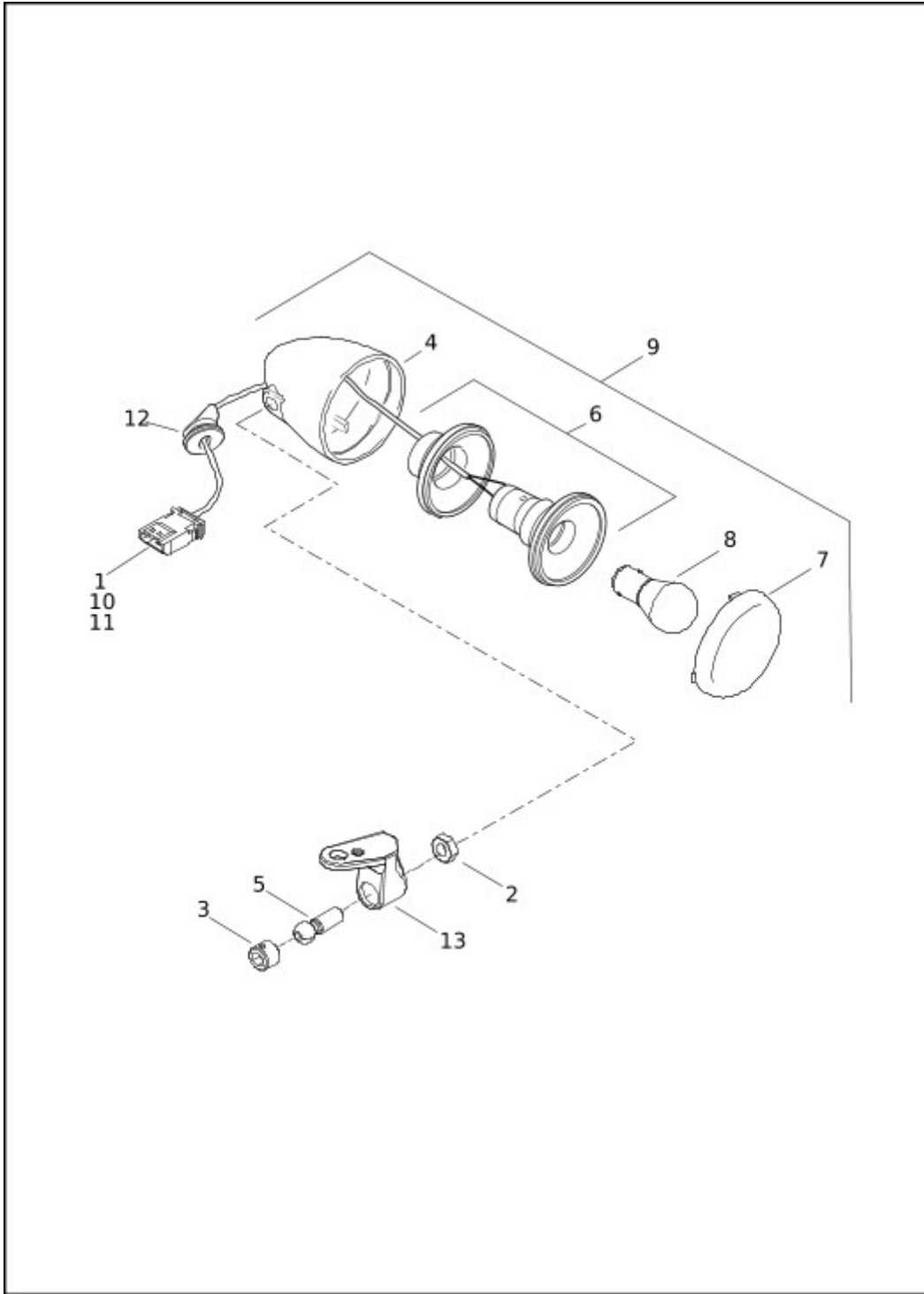
VIEW INTERACTIVE IMAGE

[View interactive table](#)

INDEX NO.	PART NO.	DESCRIPTION	MODEL(S)
1	3987	BOLT (2)	FLHT, FLHX, FLHXS
2	5118	SEAL PIN (Domestic) (2)	FLHT, FLHX, FLHXS

INDEX NO.	PART NO.	DESCRIPTION	MODEL(S)
2	5118	SEAL PIN (HDI) (4)	FLHT, FLHX, FLHXS
3	7992	ACORN NUT (4)	FLHT, FLHX, FLHXS
4	68168-89A	BULB, turn signal (Domestic) (2)	FLHT, FLHX, FLHXS
4	69331-02	BULB, turn signal (Domestic) (2)	FLHXS
5	68163-84	BULB, turn signal (2) (HDI)	FLHT, FLHX, FLHXS
6	68904-00	SOCKET ASSEMBLY, turn signal (Domestic) (2)	FLHT, FLHX, FLHXS
7	68973-00	LENS (amber) (2)	FLHT, FLHX, FLHXS
7	68973-00	LENS (amber) (HDI) (2)	FLHXS
7	69325-02	LENS (smoked) (Domestic) (2)	FLHXS
8	69292-06	TURN SIGNAL ASSEMBLY, with 68168-89A, 68904-00 and 68973-00 (chrome) (Domestic) (2)	FLHT, FLHX, FLHXS
8	67800906	TURN SIGNAL ASSEMBLY, with 68904-00, 69325-02, 69331-02 (black) (Domestic) (2)	FLHXS
9	69293-06	TURN SIGNAL ASSEMBLY, with 68163-84, 68973-00 and socket housing (chrome) (HDI) (2)	FLHT, FLHX, FLHXS
9	67800908	TURN SIGNAL ASSEMBLY, with 68163-84, 68976-00 and socket housing (black) (HDI) (2)	FLHXS
10	72908-11	HOUSING, four-way socket (black) (2)	FLHT, FLHX, FLHXS
11	72910-11	TERMINAL, socket, 20-22 AWG (Domestic) (6)	FLHT, FLHX, FLHXS
11	72910-11	TERMINAL, socket, 20-22 AWG (HDI) (4)	FLHT, FLHX, FLHXS
12	68000036	BAR, right upright (chrome)	FLHT, FLHX, FLHXS
12	67800708	BAR, right upright (black)	FLHXS
13	67800709	BAR, left upright (black)	FLHXS
13	68000037	BAR, left upright (chrome)	FLHT, FLHX, FLHXS

TURN SIGNALS, FRONT - FLHRXS



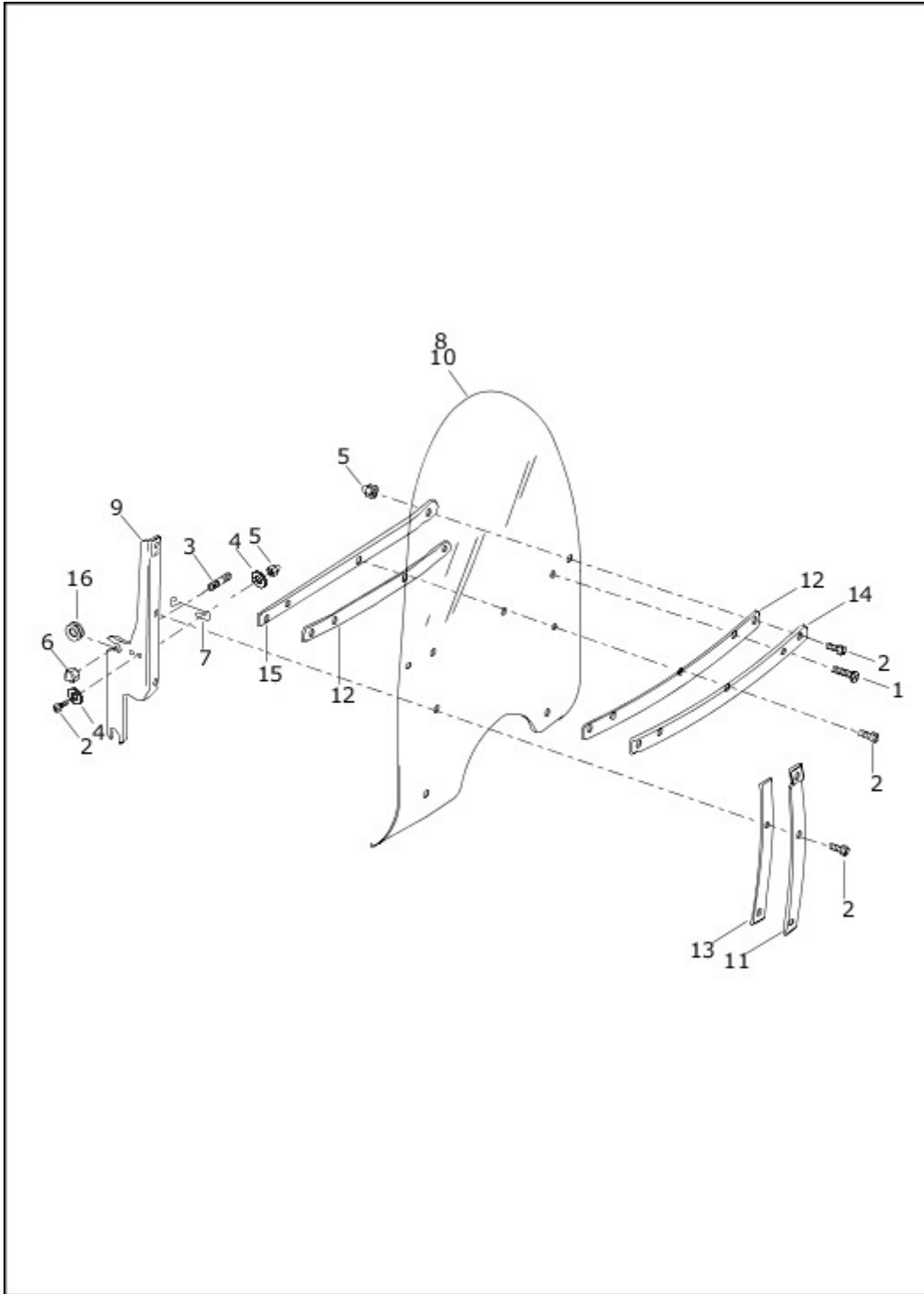
VIEW INTERACTIVE IMAGE

[View interactive table](#)

INDEX NO.	PART NO.	DESCRIPTION	MODEL(S)
1	5118	SEAL PIN (Domestic) (2)	FLHRXS
1	5118	SEAL PIN (HDI) (4)	FLHRXS
2	7744	JAMNUT (2)	FLHRXS

INDEX NO.	PART NO.	DESCRIPTION	MODEL(S)
3	67015-02	SET SCREW (2)	FLHRXS
4	68776-06	HOUSING, turn signal (black) (2)	FLHRXS
5	67822-88	BALL STUD (2)	FLHRXS
6	68904-00	SOCKET ASSEMBLY, front (Domestic) (2)	FLHRXS
7	69325-02	LENS, turn signal (Domestic) (smoked) (2)	FLHRXS
7	68973-00	LENS, turn signal (HDI) (amber) (2)	FLHRXS
8	69331-02	BULB, turn signal (Domestic) (2)	FLHRXS
8	68163-84	BULB, turn signal (HDI) (2)	FLHRXS
9	69587-07	TURN SIGNAL ASSEMBLY, front, w/ 69325-02, 69331-02 & 68904-00 (Domestic) (2)	FLHRXS
9	68838-06	TURN SIGNAL ASSEMBLY, front, w/ 68163-84, 68973-00 (HDI) (2)	FLHRXS
10	72907-11	HOUSING, 4-way, pin (2)	FLHRXS
11	72909-11	TERMINAL, pin, 20-22 AWG (Domestic) (6)	FLHRXS
11	72909-11	TERMINAL, pin, 20-22 AWG (HDI) (4)	FLHRXS
12	12100043	GROMMET (2)	FLHRXS
13	67801193	BRACKET, mounting (right) (black)	FLHRXS
13	67801194	BRACKET, mounting (left) (black)	FLHRXS

WINDSHIELD - FLHR



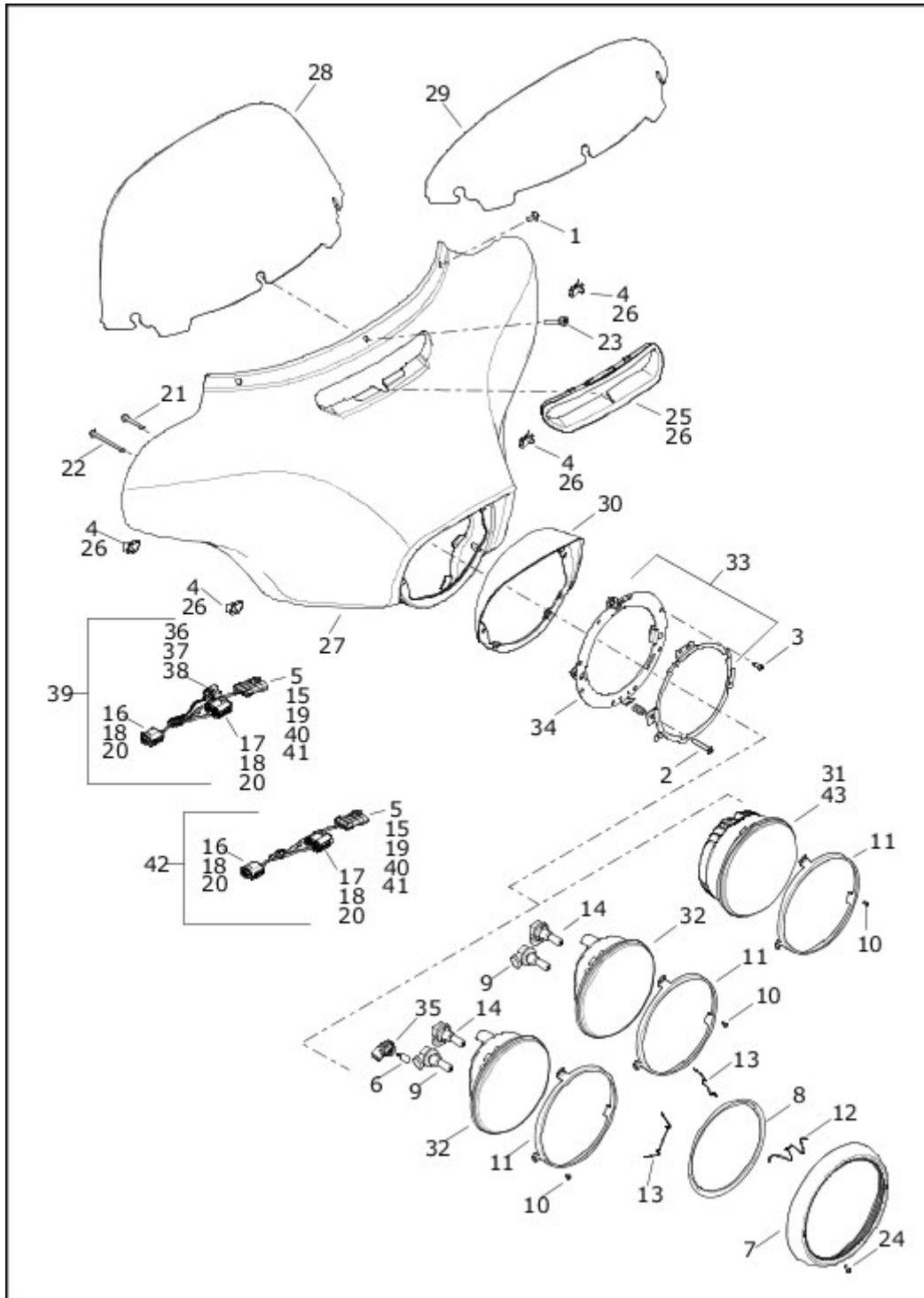
VIEW INTERACTIVE IMAGE

[View interactive table](#)

INDEX NO.	PART NO.	DESCRIPTION	MODEL(S)
1	2452	SCREW (2)	FLHR
2	2921A	SCREW (11)	FLHR
3	3265A	STUD (4)	FLHR

INDEX NO.	PART NO.	DESCRIPTION	MODEL(S)
4	6119	WASHER (8)	FLHR
5	7651A	ACORN NUT (13)	FLHR
6	7992	ACORN NUT (4)	FLHR
7	38722-94	SPRING LATCH (2)	FLHR
8	57668-10	WINDSHIELD ASSEMBLY, complete, low (clear) (Asia-Pacific)	FLHR
8	57994-94	WINDSHIELD ASSEMBLY, complete (Domestic, Australia)	FLHR
8	58325-06	WINDSHIELD ASSEMBLY, complete (HDI, England, Japan)	FLHR
9	58084-94	ADJUSTING BRACKET (right)	FLHR
9	58088-94	ADJUSTING BRACKET (left)	FLHR
10	58193-94	WINDSHIELD REPLACEMENT KIT, with 58416-77A and 58417-77 (Domestic, Australia)	FLHR
10	58327-06	WINDSHIELD REPLACEMENT KIT, with 58416-77A and 58417-77 (HDI, England, Japan)	FLHR
10	57400005	WINDSHIELD REPLACEMENT KIT, with 58416-77A and 58417-77 (Asia-Pacific)	FLHR
11	58406-75A	BRACE (right)	FLHR
11	58408-75A	BRACE (left)	FLHR
12	58416-77A	TAPE (2)	FLHR
13	58417-77	TAPE (2)	FLHR
14	58428-94	BRACE, outer	FLHR
15	58431-94	BRACE, inner	FLHR
16	67621-94	BUSHING (4)	FLHR

WINDSHIELD, FAIRING AND HEADLAMP - FLHT, FLHTK, FLHX, FLHXS AND FLH (1 OF 2)



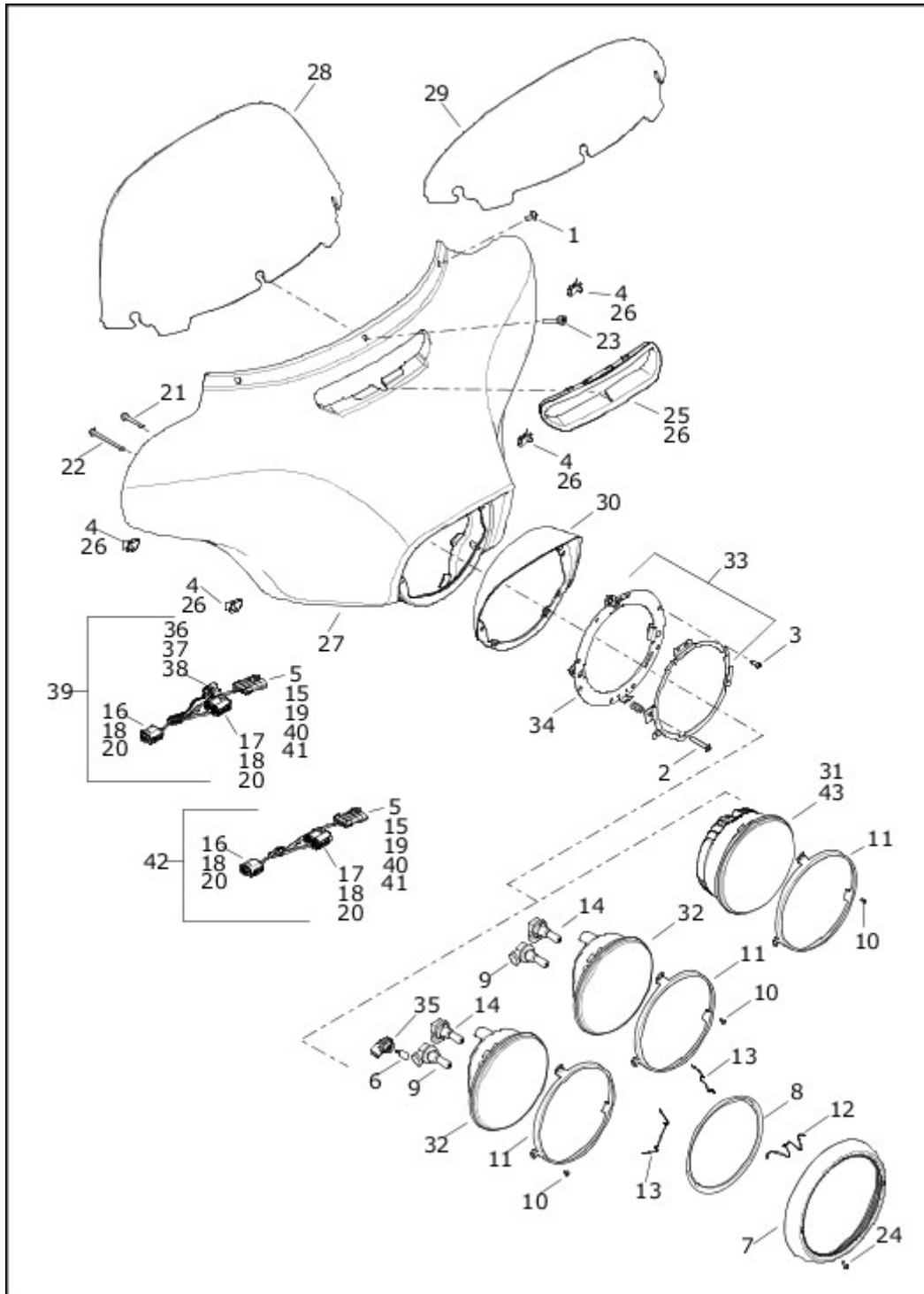
VIEW INTERACTIVE IMAGE

[View interactive table](#)

INDEX NO.	PART NO.	DESCRIPTION	MODEL(S)
NOTE: Refer to Painted Parts Book for painted part numbers.			
1	2445	SCREW (2)	FLH, FLHT, FLHTK, FLHTK SHRINE, FLHX, FLHXS
2	3088	SCREW (3)	FLH, FLHT, FLHTK, FLHTK SHRINE, FLHX, FLHXS
3	4790	SCREW (4)	FLH, FLHT, FLHTK, FLHTK SHRINE, FLHX, FLHXS

INDEX NO.	PART NO.	DESCRIPTION	MODEL(S)
4	7900	CLIP NUT (4)	FLH, FLHT, FLHTK, FLHTK SHRINE, FLHX, FLHXS
5	10147	CLIP, connector	FLH, FLHT, FLHX, FLHXS
6	53436-97	BULB, position lamp (HDI)	FLH, FLHT, FLHX, FLHXS
7	67712-83B	TRIM RING, headlamp (chrome)	FLH, FLHT, FLHTK, FLHTK SHRINE, FLHX, FLHXS
7	46555-03B	TRIM RING, headlamp (black)	FLHTK, FLHTK SHRINE, FLHXS
8	67716-60C	GASKET, headlamp door	FLH, FLHT, FLHTK, FLHTK SHRINE, FLHX, FLHXS
9	67717-01	BULB, high beam halogen	FLH, FLHT, FLHX, FLHXS
10	67721-48	SCREW (3)	FLH, FLHT, FLHTK, FLHTK SHRINE, FLHX, FLHXS
11	67726-08	RETAINING RING, headlamp (chrome)	FLH, FLHT, FLHTK, FLHTK SHRINE, FLHX, FLHXS
11	67700068	RETAINING RING, headlamp (black)	FLHTK, FLHTK SHRINE
12	67778-60A	SPRING, trim ring, headlamp, top	FLH, FLHT, FLHTK, FLHTK SHRINE, FLHX, FLHXS
13	67780-60A	SPRING, trim ring, headlamp, bottom (2)	FLH, FLHT, FLHTK, FLHTK SHRINE, FLHX, FLHXS
14	68881-01	BULB, low beam halogen	FLH, FLHT, FLHX, FLHXS
15	72214-94	WIRE SEAL, 14-16 AWG (dark red) (3)	FLH, FLHT, FLHX, FLHXS
16	72449-01	HOUSING, two-way socket (black)	FLH, FLHT, FLHX, FLHXS
17	72450-01	HOUSING, two-way socket (gray)	FLH, FLHT, FLHX, FLHXS
18	72527-01	TERMINAL, socket, 18-20 AWG (4)	FLH, FLHT, FLHX, FLHXS
19	72608-08	TERMINAL, pin, 16-20 AWG (3)	FLH, FLHT, FLHX, FLHXS
20	72633-02	WIRE SEAL, 14-16 AWG (white) (4)	FLH, FLHT, FLHX, FLHXS
21	10200059	SCREW (2)	FLH, FLHT, FLHTK, FLHTK SHRINE, FLHX, FLHXS
22	10200060	SCREW (2)	FLH, FLHT, FLHTK, FLHTK SHRINE, FLHX, FLHXS
23	10200112	SCREW	FLH, FLHT, FLHTK, FLHTK SHRINE, FLHX, FLHXS
24	10200156	SCREW	FLH, FLHT, FLHTK, FLHTK SHRINE, FLHX, FLHXS
25	29200007	BEZEL, air duct, outer fairing	FLH, FLHT, FLHTK, FLHTK SHRINE, FLHX, FLHXS

WINDSHIELD, FAIRING AND HEADLAMP - FLHT, FLHTK, FLHX, FLHXS AND FLH (2 OF 2)



VIEW INTERACTIVE IMAGE

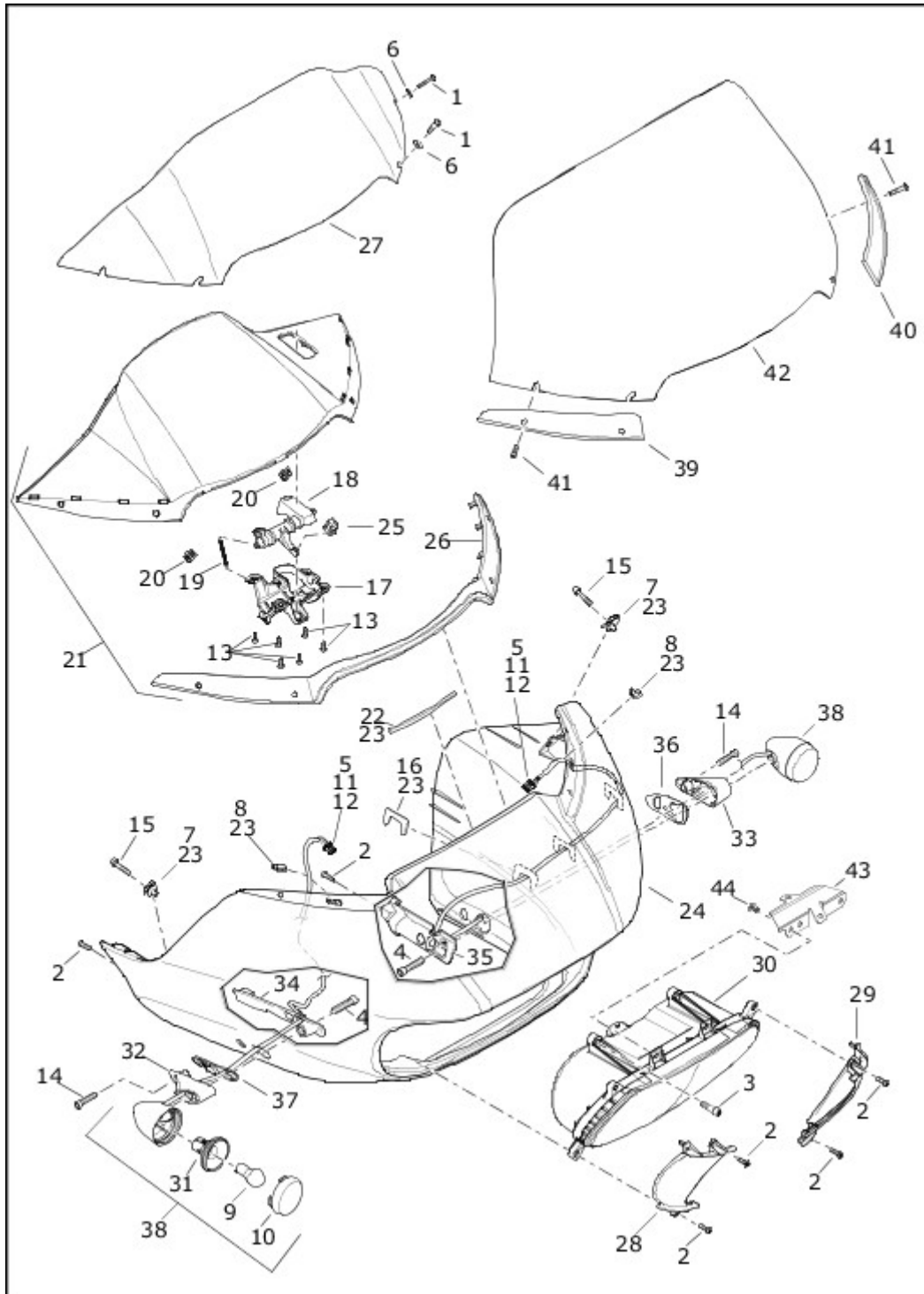
[View interactive table](#)

INDEX NO.	PART NO.	DESCRIPTION	MODEL(S)
NOTE: Refer to Painted Parts Book for painted part numbers.			
26	57000377	KIT, HARDWARE, fairing, with 7900 and 29200007	FLH, FLHT, FLHTK, FLHTK SHRINE, FLHX, FLHXS
27	57000383	FAIRING, outer, with 57000377 (unfinished)	FLH, FLHT, FLHTK, FLHTK

INDEX NO.	PART NO.	DESCRIPTION	MODEL(S)
			SHRINE, FLHX, FLHXS
28	57400001	WINDSHIELD (clear) (Domestic)	FLH, FLHTK, FLHTK SHRINE
28	57400001	WINDSHIELD (clear) (Brazil, Australia)	FLH, FLHTK, FLHTK SHRINE
28	57400002	WINDSHIELD (clear) (HDI, England, Japan)	FLH, FLHTK, FLHTK SHRINE
28	57400250	WINDSHIELD (clear) (HDI)	FLHT
28	57400441	WINDSHIELD (clear) (Domestic, Australia)	FLHT
29	57400003	WIND DEFLECTOR (smoked) (Domestic, Australia)	FLHX, FLHXS
29	57400004	WIND DEFLECTOR (smoked) (HDI, England, Japan)	FLHX, FLHXS
29	57400058	WIND DEFLECTOR (clear) (Asia-Pacific)	FLHTK, FLHTK SHRINE, FLHXS
30	61400135	TRIM, headlamp	FLH, FLHT, FLHTK, FLHTK SHRINE, FLHX, FLHXS
31	67700241	HEADLAMP, LED (chrome) (Domestic)	FLHTK, FLHTK SHRINE
31	67700268	HEADLAMP, LED (chrome) (HDI)	FLHTK, FLHTK SHRINE
31	67700249	HEADLAMP, LED (black) (Domestic)	FLHTK, FLHTK SHRINE
31	67700269	HEADLAMP, LED (black) (HDI)	FLHTK, FLHTK SHRINE
32	67700062	HEADLAMP ASSEMBLY, dual halogen, with 67717-01 and 68881-01 (Domestic) (Domestic and HDI - FLH)	FLH, FLHT, FLHX, FLHXS
32	67700065	HEADLAMP ASSEMBLY, dual halogen, with 53436-97, 67717-01, 68881-01 and 68000038 (HDI)	FLHT, FLHX, FLHXS
33	67700204	MOUNTING RING ASSEMBLY, headlamp, with 3088 and 67700205	FLH, FLHT, FLHTK, FLHTK SHRINE, FLHX, FLHXS
34	67700205	MOUNTING RING, headlamp	FLH, FLHT, FLHTK, FLHTK SHRINE, FLHX, FLHXS
35	68000038	CONNECTOR, position lamp, 90 degree (HDI)	FLH, FLHT, FLHX, FLHXS
36	69200220	HOUSING, two-way socket (black) (HDI)	FLH, FLHT, FLHX, FLHXS
37	69200221	TERMINAL, socket, 18-20 AWG (HDI) (2)	FLH, FLHT, FLHX, FLHXS
38	69200222	WIRE SEAL, 16 AWG (green) (HDI) (2)	FLH, FLHT, FLHX, FLHXS
39	69200223	WIRE HARNESS, dual halogen headlamp, with 5, 15, 16, 17, 18, 19, 20, 36, 37, 38, 40 and 41 (HDI)	FLH, FLHT, FLHX, FLHXS
40	69200255	HOUSING, four-way pin	FLH, FLHT, FLHX, FLHXS
41	69200256	SECONDARY LOCK, four-way socket	FLH, FLHT, FLHX, FLHXS
42	69200298	WIRE HARNESS, dual halogen headlamp, with 5, 15, 16, 17, 18, 19, 20, 40 and 41 (Domestic)	FLH, FLHT, FLHX, FLHXS

INDEX NO.	PART NO.	DESCRIPTION	MODEL(S)
43	67700060	HEADLAMP ASSEMBLY, with 10, 11, 31 and 33 (chrome) (Domestic)	FLHTK, FLHTK SHRINE, FLHXS
43	67700456	HEADLAMP ASSEMBLY, with 10, 11, 31 and 33 (chrome) (HDI)	FLHTK, FLHTK SHRINE, FLHXS
43	67700329	HEADLAMP ASSEMBLY, with 10, 11, 31 and 33 (black) (Domestic)	FLHTK, FLHTK SHRINE, FLHXS
43	67700457	HEADLAMP ASSEMBLY, with 10, 11, 31 and 33 (black) (HDI)	FLHTK, FLHTK SHRINE, FLHXS

WINDSHIELD, FAIRING AND HEADLAMP - FLTRK, FLTRX AND FLTRXS (1 OF 2)



VIEW INTERACTIVE IMAGE

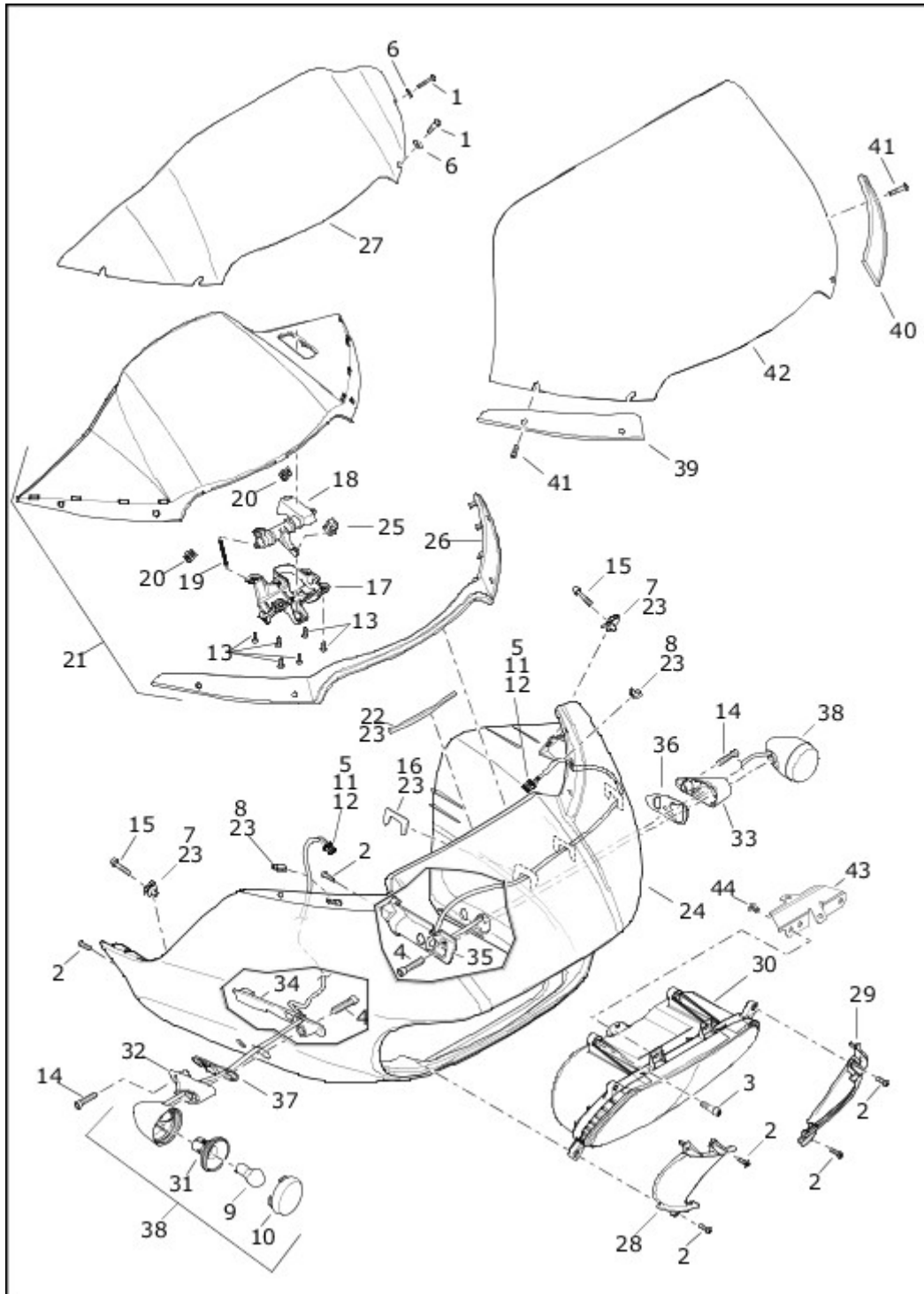
[View interactive table](#)

INDEX NO.	PART NO.	DESCRIPTION	MODEL(S)
1	933	SCREW (4)	FLTRK, FLTRX, FLTRXS
2	2563	SCREW (6)	FLTRK, FLTRX, FLTRXS

INDEX NO.	PART NO.	DESCRIPTION	MODEL(S)
3	4741A	SCREW (4)	FLTRK, FLTRX, FLTRXS
4	4816A	SCREW (2)	FLTRK, FLTRX, FLTRXS
5	5118	SEAL PIN (2)	FLTRK, FLTRX, FLTRXS
6	6054	WASHER (4)	FLTRK, FLTRX, FLTRXS
7	7900	CLIP NUT (2)	FLTRK, FLTRX, FLTRXS
8	10065	CABLE STRAP (2)	FLTRK, FLTRX, FLTRXS
9	68168-89A	BULB (chrome) (Domestic) (2)	FLTRK, FLTRX
9	69331-02	BULB (black) (Domestic) (2)	FLTRK, FLTRXS
9	68163-84	BULB (HDI) (2)	FLTRK, FLTRXS
10	68973-00	LENS (amber) (Domestic) (2)	FLTRK, FLTRX
10	69325-02	LENS (smoked) (Domestic) (2)	FLTRK, FLTRXS
10	68973-00	LENS (amber) (HDI) (2)	FLTRK, FLTRXS
11	72908-11	HOUSING, four-way socket (black) (2)	FLTRK, FLTRX, FLTRXS
12	72910-11	TERMINAL, socket, 20-22 AWG (Domestic) (6)	FLTRK, FLTRX, FLTRXS
12	72910-11	TERMINAL, socket, 20-22 AWG (HDI) (4)	FLTRK, FLTRXS
13	10200257	SCREW (6)	FLTRK, FLTRX, FLTRXS
14	10200350	SCREW (2)	FLTRK, FLTRX, FLTRXS
15	10200365	SCREW (2)	FLTRK, FLTRX, FLTRXS
16	11100066	PAD (6)	FLTRK, FLTRX, FLTRXS
17	29200073	MECHANISM HOUSING	FLTRK, FLTRX, FLTRXS
18	29200075	BUTTON	FLTRK, FLTRX, FLTRXS
19	29200078	SPRING	FLTRK, FLTRX,

INDEX NO.	PART NO.	DESCRIPTION	MODEL(S)
			FLTRXS
20	29200080	CLIP	FLTRK, FLTRX, FLTRXS
21	29200041BYM	TOP DUCT ASSEMBLY, with 13, 17, 18, 19, 20, 25 and 26 (black denim)	FLTRX, FLTRXS
22	29200081	FOAM PAD, top duct	FLTRK, FLTRX, FLTRXS
23	57000501	HARDWARE KIT, fairing, with 7900, 10065, 11100066 and 29200081	FLTRK, FLTRX, FLTRXS
24	57000504	FAIRING KIT, front, with 57000501 and 57000290 (unpainted)	FLTRK, FLTRX, FLTRXS
24	57000290	FAIRING, front	FLTRK, FLTRX, FLTRXS
25	57100167	DOOR LATCH	FLTRK, FLTRX, FLTRXS
26	57400187	GASKET	FLTRK, FLTRX, FLTRXS

WINDSHIELD, FAIRING AND HEADLAMP - FLTRK, FLTRX AND FLTRXS (2 OF 2)



VIEW INTERACTIVE IMAGE

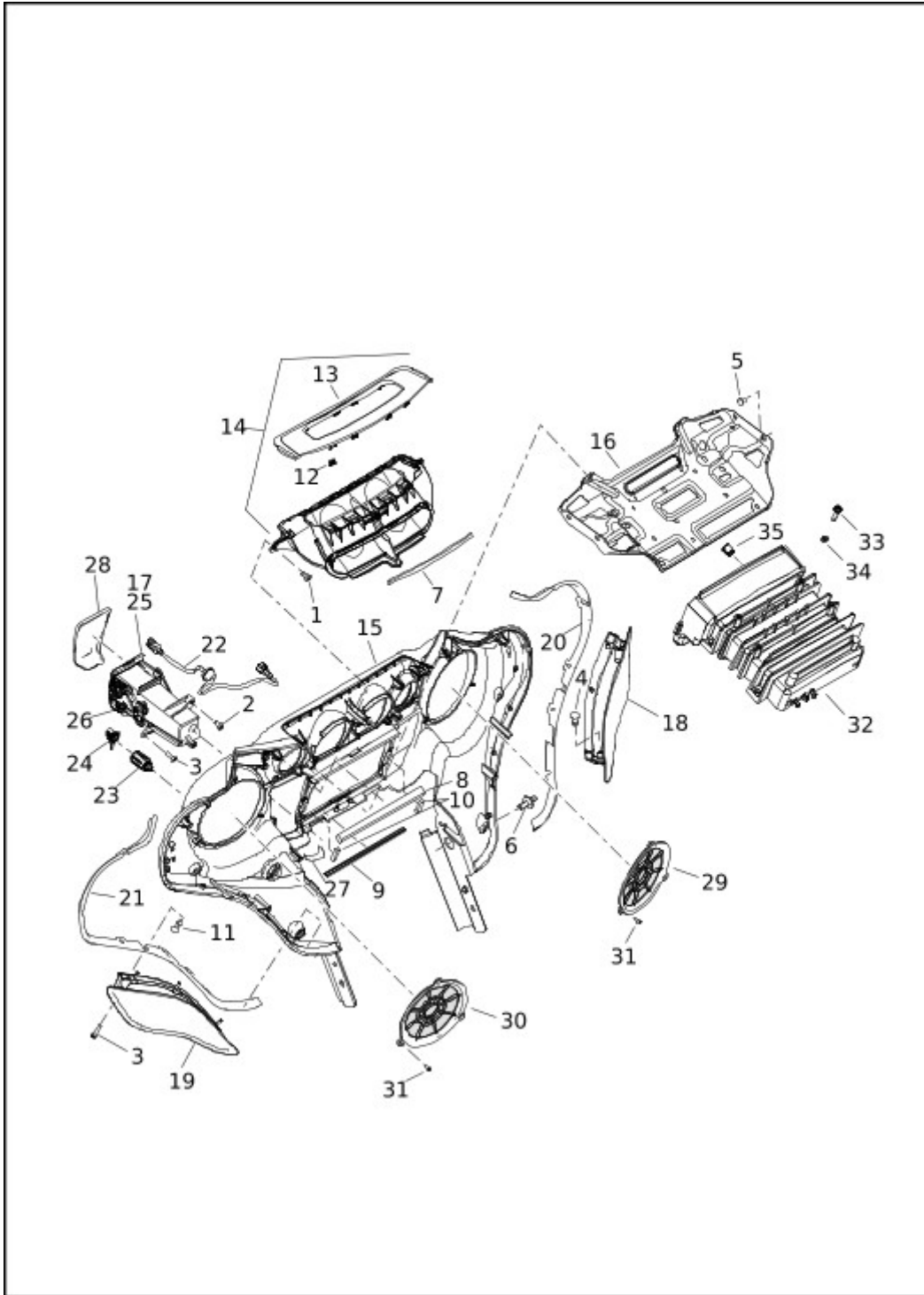
[View interactive table](#)

INDEX NO.	PART NO.	DESCRIPTION	MODEL(S)
27	57400191	WINDSHIELD KIT, with 933 and 6054 (dark smoke) (HDI, England, Japan, Asia-Pacific)	FLTRXS
27	57400302	WINDSHIELD (dark smoke) (Domestic, Australia, Brazil)	FLTRX, FLTRXS
28	61400173	BEZEL (right) (prime)	FLTRK, FLTRX,

INDEX NO.	PART NO.	DESCRIPTION	MODEL(S)
			FLTRXS
29	61400198	BEZEL (left) (prime)	FLTRK, FLTRX, FLTRXS
30	67700199	HEADLAMP	FLTRK, FLTRX, FLTRXS
31	67800147	SOCKET ASSEMBLY, turn signal (Domestic) (2)	FLTRK, FLTRX
31	68904-00	SOCKET ASSEMBLY, turn signal (Domestic) (2)	FLTRXS
31	67800148	SOCKET ASSEMBLY, turn signal (HDI) (2)	FLTRK, FLTRX
32	67800299	TURN SIGNAL MOUNT (right) (chrome)	FLTRK, FLTRX
32	67800703	TURN SIGNAL MOUNT (right) (black)	FLTRK, FLTRXS
33	67800300	TURN SIGNAL MOUNT (left) (chrome)	FLTRK, FLTRX
33	67800704	TURN SIGNAL MOUNT (left) (black)	FLTRK, FLTRXS
34	67800301	MOUNT, turn signal (right)	FLTRK, FLTRX, FLTRXS
35	67800302	MOUNT, turn signal (left)	FLTRK, FLTRX, FLTRXS
36	67800303	GASKET (left)	FLTRK, FLTRX, FLTRXS
37	67800471	GASKET (right)	FLTRK, FLTRX, FLTRXS
38	67800512	TURN SIGNAL, front, with 68168-89A, 68973-00 and 67800147 (chrome) (Domestic) (2)	FLTRK, FLTRX
38	67800513	TURN SIGNAL, front, with 68163-84, 68973-00 and 67800148 (chrome) (HDI) (2)	FLTRK, FLTRX
38	67800906	TURN SIGNAL, front, with 68904-00, 69325-02 and 69331-02 (black) (Domestic) (2)	FLTRK, FLTRXS
38	67800908	TURN SIGNAL, front, with 68163-84, 68976-00 and socket assembly (black) (HDI) (2)	FLTRK, FLTRXS
39	57400308	TRIM (right) (black)	FLTRK
40	57400309	TRIM (left) (black)	FLTRK
41	10200400	SCREW (4)	FLTRK
42	57400305	WINDSHIELD (Domestic, Brazil)	FLTRK
42	57400262	WINDSHIELD (HDI)	FLTRK
42	57400260	WINDSHIELD (Asia-Pacific)	FLTRK

INDEX NO.	PART NO.	DESCRIPTION	MODEL(S)
43	69202417	BRACKET	FLTRK, FLTRX, FLTRXS
44	12600116	FASTENER (2)	FLTRK, FLTRX, FLTRXS

FAIRING, INNER - FLHT, FLHTK, FLHX, FLHXS AND FLH (1 OF 3)



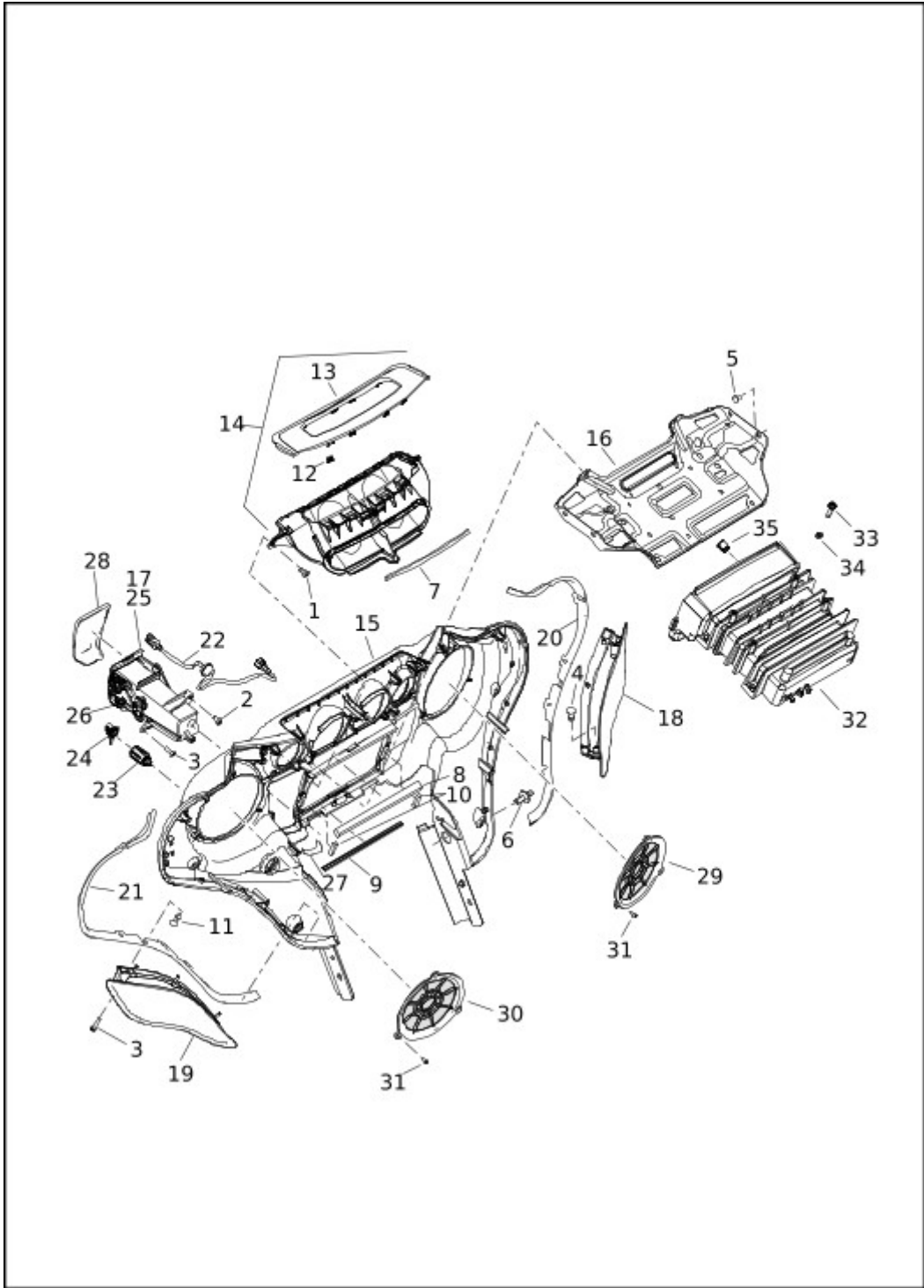
VIEW INTERACTIVE IMAGE

[View interactive table](#)

INDEX NO.	PART NO.	DESCRIPTION	MODEL(S)
1	2445	SCREW (2)	FLH, FLHT, FLHTK, FLHTK SHRINE, FLHX, FLHXS
2	2478	SCREW (5)	FLH, FLHT, FLHTK, FLHTK SHRINE, FLHX, FLHXS

INDEX NO.	PART NO.	DESCRIPTION	MODEL(S)
3	2563	SCREW	FLH, FLHX, FLHXS
3	2563	SCREW (7)	FLHT, FLHTK, FLHTK SHRINE
4	57638-08	SNAP HINGE, air deflector (2)	FLHTK, FLHTK SHRINE
5	10200141	SCREW (4)	FLH, FLHT, FLHTK, FLHTK SHRINE, FLHX, FLHXS
6	10900005	STUD, double sided (4)	FLH, FLHTK, FLHTK SHRINE, FLHX, FLHXS
7	11100038	FOAM TAPE	FLH, FLHT, FLHTK, FLHTK SHRINE, FLHX, FLHXS
8	11100050	FOAM TAPE	FLH, FLHT, FLHTK, FLHTK SHRINE, FLHX, FLHXS
9	11100051	FOAM TAPE	FLH, FLHT, FLHTK, FLHTK SHRINE, FLHX, FLHXS
10	11100057	FOAM TAPE (2)	FLH, FLHT, FLHTK, FLHTK SHRINE, FLHX, FLHXS
11	12100034	PLUG, air deflector hole (6)	FLH, FLHT, FLHX, FLHXS
12	12200064	CLIP, panel (10)	FLH, FLHT, FLHTK, FLHTK SHRINE, FLHX, FLHXS
13	29200087A	BEZEL, air duct, inner fairing, with 12200064	FLH, FLHT, FLHTK, FLHTK SHRINE, FLHX, FLHXS
14	29200088A	AIR DUCT, inner fairing, with 11100038 and 29200087A	FLH, FLHT, FLHTK, FLHTK SHRINE, FLHX, FLHXS
15	57000064BYM	INNER FAIRING ASSEMBLY, with 11100050, 11100051, 11100057, 61400063, 61400064 and 76000234 (satin black)	FLH, FLHT
15	57000064DH	INNER FAIRING ASSEMBLY, with 11100050, 11100051, 11100057, 61400063, 61400064 and 76000234 (gloss black)	FLHTK, FLHTK SHRINE
15	57000065BYM	INNER FAIRING ASSEMBLY, with 11100050, 11100051, 11100057, 61400063, 61400064 and 76000234 (satin black)	FLHX
15	57000065DH	INNER FAIRING ASSEMBLY, with 11100050, 11100051, 11100057, 61400063, 61400064 and 76000234 (gloss black)	FLHXS
15	57000065ERY	INNER FAIRING ASSEMBLY, with 11100050, 11100051, 11100057, 61400063, 61400064 and 76000234 (arctic blast dark blue)	FLHXS

FAIRING, INNER - FLHT, FLHTK, FLHX, FLHXS AND FLH(2 OF 3)



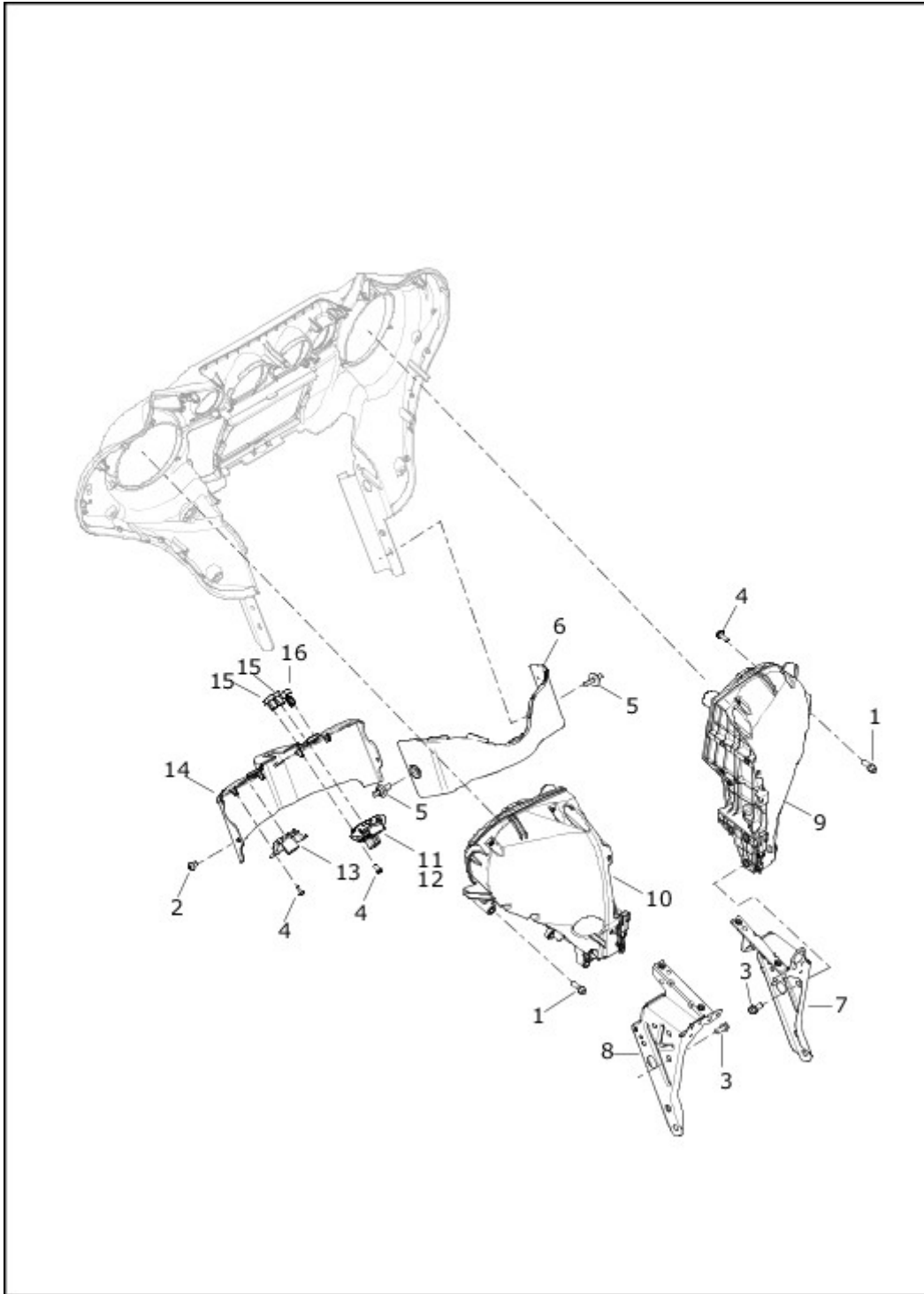
VIEW INTERACTIVE IMAGE

View interactive table

INDEX NO.	PART NO.	DESCRIPTION	MODEL(S)
16	57000186A	BRACKET, support, inner fairing	FLH, FLHT, FLHTK, FLHTK SHRINE, FLHX, FLHXS
17	57000299	FOAM INSERT, media compartment	FLH, FLHTK, FLHTK SHRINE, FLHX, FLHXS

INDEX NO.	PART NO.	DESCRIPTION	MODEL(S)
18	57200012	AIR DEFLECTOR, with 57638-08 (left)	FLHTK, FLHTK SHRINE
19	57200017	AIR DEFLECTOR, with 57638-08 (right)	FLHTK, FLHTK SHRINE
20	61400063	TRIM, inner fairing (left)	FLH, FLHT, FLHTK, FLHTK SHRINE, FLHX, FLHXS
21	61400064	TRIM, inner fairing (right)	FLH, FLHT, FLHTK, FLHTK SHRINE, FLHX, FLHXS
22	69200031A	WIRE HARNESS, USB jumper	FLH, FLHTK, FLHTK SHRINE, FLHX, FLHXS
23	69200170	POWER OUTLET, fairing, with 69200171	FLH, FLHT, FLHTK, FLHTK SHRINE, FLHX, FLHXS
24	69200171	CAP, power outlet	FLH, FLHT, FLHTK, FLHTK SHRINE, FLHX, FLHXS
25	76000107A	MEDIA COMPARTMENT ASSEMBLY, with 57000299, 69200031A and 76000127	FLH, FLHTK, FLHTK SHRINE, FLHX, FLHXS
25	76000944	MEDIA COMPARTMENT ASSEMBLY, with 76000127	FLHT
26	76000127	LATCH (2)	FLH, FLHT, FLHTK, FLHTK SHRINE, FLHX, FLHXS
27	76000234	GASKET, media storage	FLH, FLHT, FLHTK, FLHTK SHRINE, FLHX, FLHXS
28	76000409BYM	DOOR, media compartment, outer (black denim)	FLH, FLHT, FLHX
28	76000409DH	DOOR, media compartment, outer (gloss black)	FLHTK, FLHTK SHRINE, FLHXS
28	76000409ERY	DOOR, media compartment, outer (arctic blast dark blue)	FLHXS
29	76000055	SPEAKER GRILLE	FLH, FLHT, FLHX
29	76000876	SPEAKER GRILLE (left) (not shown)	FLHTK, FLHTK SHRINE, FLHXS
30	76000055	SPEAKER GRILLE	FLH, FLHT, FLHX
30	76000875	SPEAKER GRILLE (right) (not shown)	FLHTK, FLHTK SHRINE, FLHXS
31	10500017	SCREW (6)	FLH, FLHT, FLHTK, FLHTK SHRINE, FLHX, FLHXS
32	76000943	GLOVEBOX, with 12100154, 12600070 and 12600071	FLHT
33	12600070	BOLT (4)	FLHT
34	12600071	RETAINER (4)	FLHT
35	12100154	PLUG	FLHT

FAIRING, INNER - FLHT, FLHTK, FLHX, FLHXS AND FLH (3 OF 3)



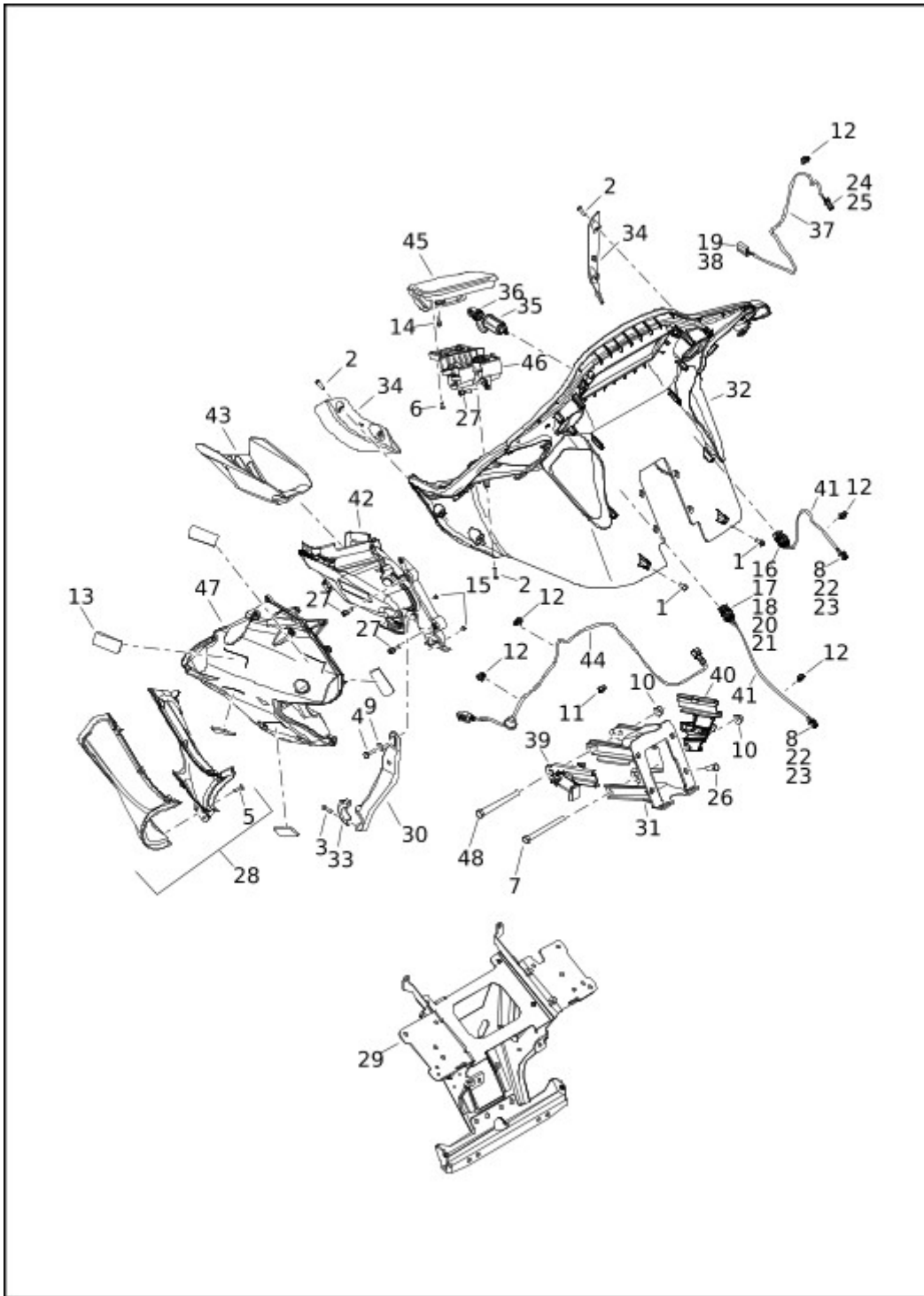
VIEW INTERACTIVE IMAGE

[View interactive table](#)

INDEX NO.	PART NO.	DESCRIPTION	MODEL(S)
1	10200134	SCREW (6)	FLH, FLHT, FLHTK, FLHTK SHRINE, FLHX, FLHXS
2	10200141	SCREW (2)	FLH, FLHT, FLHTK, FLHTK SHRINE, FLHX, FLHXS

INDEX NO.	PART NO.	DESCRIPTION	MODEL(S)
3	10200142	SCREW (6)	FLH, FLHT, FLHTK, FLHTK SHRINE, FLHX, FLHXS
4	10200205	SCREW (12)	FLH, FLHT, FLHTK, FLHTK SHRINE, FLHX, FLHXS
5	10900005	STUD, double sided (4)	FLH, FLHT, FLHTK, FLHTK SHRINE, FLHX, FLHXS
6	57000017	SKIRT, outer fairing (chrome)	FLH, FLHT, FLHTK, FLHTK SHRINE, FLHX, FLHXS
6	57000328DH	SKIRT, outer fairing (gloss black)	FLHTK, FLHXS
7	57000169A	BRACKET, fairing support (left)	FLH, FLHT, FLHTK, FLHTK SHRINE, FLHX, FLHXS
8	57000170	BRACKET, fairing support (right)	FLH, FLHT, FLHTK, FLHTK SHRINE, FLHX, FLHXS
9	57000172	SPEAKER ENCLOSURE ASSEMBLY (left)	FLH, FLHT, FLHTK, FLHTK SHRINE, FLHX, FLHXS
10	57000175	SPEAKER ENCLOSURE ASSEMBLY (right)	FLH, FLHT, FLHTK, FLHTK SHRINE, FLHX, FLHXS
11	69200172	SWITCH ASSEMBLY, auxiliary/fog lamps, with 69200173A, 71400031 and 71400044	FLH, FLHTK, FLHTK SHRINE
12	69200173A	SWITCH	FLH, FLHTK, FLHTK SHRINE
13	70900138	HOLE PLUG, fairing cap	FLH, FLHTK, FLHTK SHRINE
13	70900138	HOLE PLUG, fairing cap (2)	FLHT, FLHX, FLHXS
14	70901014BYM	DASH PANEL, fairing (black denim)	FLH, FLHT, FLHX
14	70901014DH	DASH PANEL, fairing (gloss black)	FLHTK, FLHTK SHRINE, FLHXS
15	71400031	SWITCH BUTTON, blank (2)	FLH, FLHTK, FLHTK SHRINE
16	71400044	SWITCH, auxiliary/fog lamps	FLH, FLHTK, FLHTK SHRINE

FAIRING, INNER - FLTRK, FLTRX AND FLTRXS (1 OF 2)



VIEW INTERACTIVE IMAGE

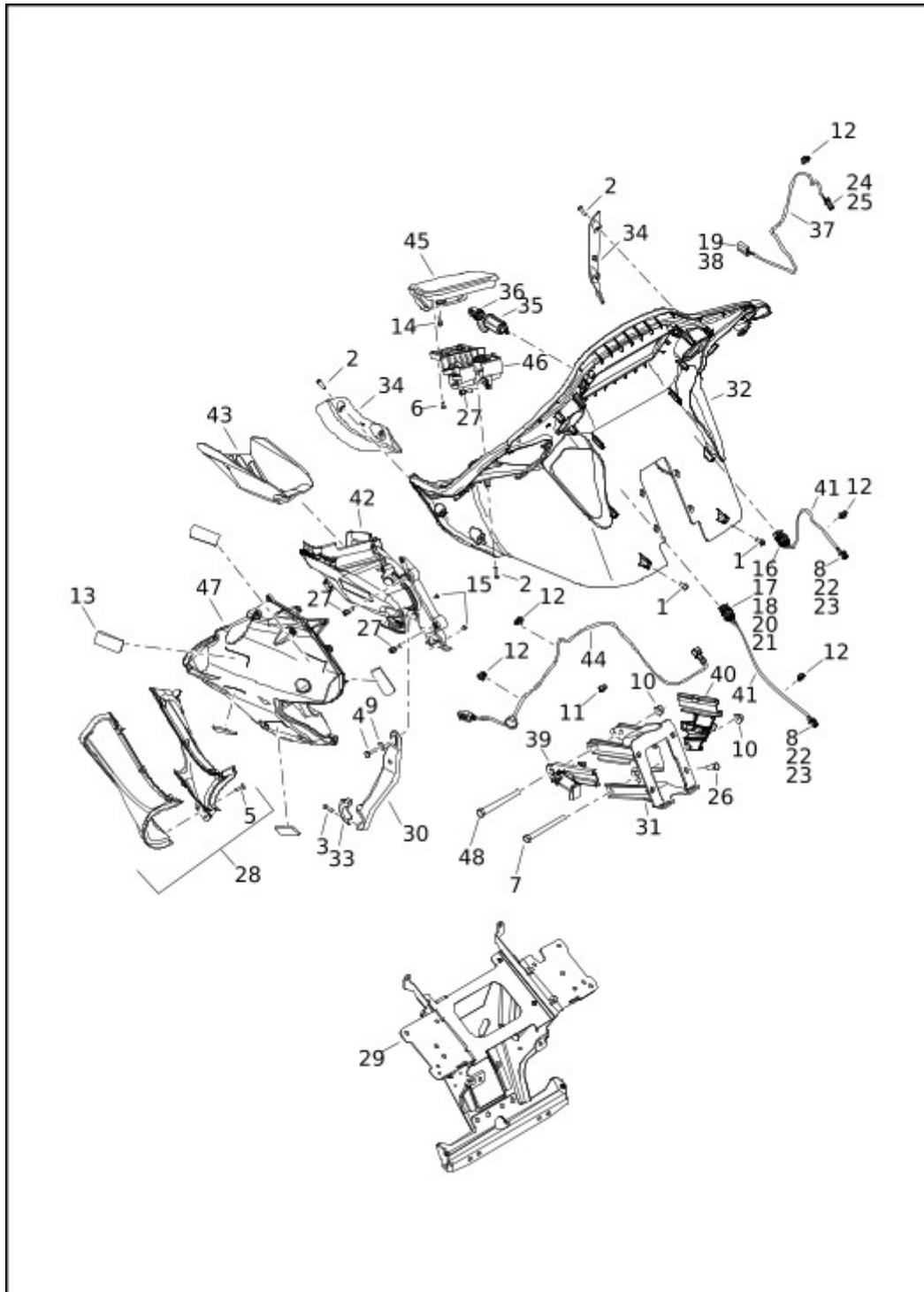
[View interactive table](#)

INDEX NO.	PART NO.	DESCRIPTION	MODEL(S)
1	1062	SCREW (4)	FLTRK, FLTRX, FLTRXS
2	2563	SCREW (14)	FLTRK, FLTRX, FLTRXS
3	2647B	SCREW (chrome) (4)	FLTRK, FLTRX
3	10200349	SCREW (black) (4)	FLTRK, FLTRXS

INDEX NO.	PART NO.	DESCRIPTION	MODEL(S)
4	3787	BOLT (2)	FLTRK, FLTRX, FLTRXS
5	4612	SCREW (10)	FLTRK, FLTRX, FLTRXS
6	4694	SCREW (8)	FLTRK, FLTRX, FLTRXS
7	4706	SCREW	FLTRK, FLTRX, FLTRXS
8	5118	SEAL PIN (2)	FLTRK, FLTRX, FLTRXS
9	6703	WASHER (2)	FLTRK, FLTRX, FLTRXS
10	7601	LOCKNUT (2)	FLTRK, FLTRX, FLTRXS
11	10065	CABLE STRAP	FLTRK, FLTRX, FLTRXS
12	10177	CABLE STRAP (4)	FLTRK, FLTRX, FLTRXS
13	11668	FOAM PAD (10)	FLTRK, FLTRX, FLTRXS
14	58888-98A	BUMPER, fairing door (4)	FLTRK, FLTRX, FLTRXS
15	61313-88	BUMPER (4)	FLTRK, FLTRX, FLTRXS
16	72066-06A	HOUSING, four-way socket (black) (2)	FLTRK, FLTRX, FLTRXS
17	72097-06	SEAL PIN, orange (2)	FLTRK, FLTRX, FLTRXS
18	72135-06	SECONDARY LOCK, four-way socket (2)	FLTRK, FLTRX, FLTRXS
19	72264-94	TERMINAL, 18-20 AWG (2)	FLTRK, FLTRX, FLTRXS
20	72484-08	TERMINAL, socket, 20 AWG (6)	FLTRK, FLTRX, FLTRXS
21	72486-08	WIRE SEAL, 20 AWG (green) (6)	FLTRK, FLTRX, FLTRXS
22	72908-11	HOUSING, four-way socket (black) (2)	FLTRK, FLTRX, FLTRXS
23	72910-11	TERMINAL, socket, 20-22 AWG (6)	FLTRK, FLTRX, FLTRXS
24	73152-96BK	HOUSING, two-way socket (black)	FLTRK, FLTRX, FLTRXS
25	73191-96	TERMINAL, socket, 16-20 AWG (2)	FLTRK, FLTRX, FLTRXS
26	10200120	SCREW (4)	FLTRK, FLTRX, FLTRXS
27	10200134	SCREW (14)	FLTRK, FLTRX, FLTRXS
28	29200137	AIR DUCT ASSEMBLY, with 4612 (right)	FLTRK, FLTRX, FLTRXS
28	29200134	AIR DUCT ASSEMBLY, with 4612 (left) (not shown)	FLTRK, FLTRX, FLTRXS
29	47200217	BRACKET	FLTRK, FLTRX, FLTRXS
30	47200262	BRACKET (right) (chrome)	FLTRK, FLTRX
30	47200261	BRACKET (left) (chrome) (not shown)	FLTRK, FLTRX

INDEX NO.	PART NO.	DESCRIPTION	MODEL(S)
30	47200278	BRACKET KIT, with 10200349, 47200281 and brackets (black)	FLTRK, FLTRXS
31	47200266	BRACKET, inner fairing mount	FLTRK, FLTRX, FLTRXS

FAIRING, INNER - FLTRK, FLTRX AND FLTRXS (2 OF 2)



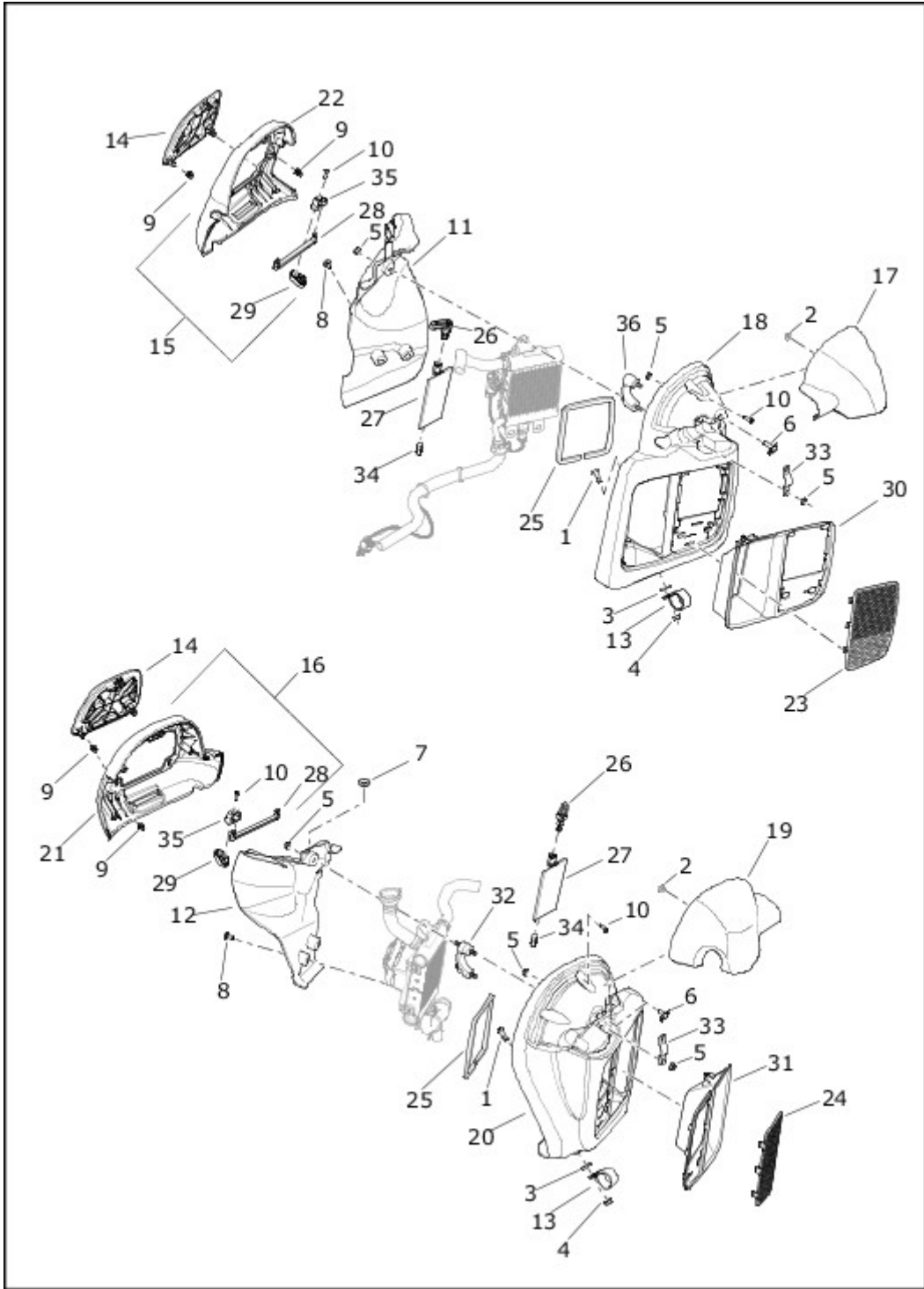
[VIEW INTERACTIVE IMAGE](#)

[View interactive table](#)

INDEX NO.	PART NO.	DESCRIPTION	MODEL(S)
32	57000305	INNER FAIRING (unpainted)	FLTRK, FLTRX, FLTRXS
32	57000374BYM	INNER FAIRING (black denim)	FLTRXS
32	57000374DH	INNER FAIRING (vivid denim)	FLTRK, FLTRXS
33	57100247	CLAMP (chrome) (2)	FLTRK, FLTRX
33	47200281	CLAMP (black) (2)	FLTRK, FLTRXS
34	57200063	WILLIE WING (right)	FLTRK, FLTRX, FLTRXS
34	57200064	WILLIE WING (left)	FLTRK, FLTRX, FLTRXS
35	69200170	POWER OUTLET, with 69200171	FLTRK, FLTRX, FLTRXS
36	69200171	CAP	FLTRK, FLTRX, FLTRXS
37	69200248	WIRE HARNESS, power outlet jumper, with 12, 19, 24, 25 and 38	FLTRK, FLTRX, FLTRXS
38	69200337	HOUSING, two-way socket (gray)	FLTRK, FLTRX, FLTRXS
39	69202786	GUIDE, wire harness (right)	FLTRK, FLTRX, FLTRXS
40	69200702	GUIDE, wire harness (left)	FLTRK, FLTRX, FLTRXS
41	69200753	WIRE HARNESS, gauge jumper, with 8, 12, 16, 17, 18, 20, 21, 22 and 23 (2)	FLTRK, FLTRX, FLTRXS
42	76000370A	MEDIA STORAGE COMPARTMENT, with 15, 43 and 44 (right)	FLTRK, FLTRX, FLTRXS
42	76000422	MEDIA STORAGE COMPARTMENT, with 15 and 43 (left) (not shown)	FLTRK, FLTRX, FLTRXS
43	76000373	LINER, media (right)	FLTRK, FLTRX, FLTRXS
43	76000425	LINER, media (left) (not shown)	FLTRK, FLTRX, FLTRXS
44	76000374A	USB CABLE ASSEMBLY	FLTRK, FLTRX, FLTRXS
45	76000376BYM	MEDIA DOOR ASSEMBLY, storage, with 14 (black denim) (right)	FLTRX
45	76000376DH	MEDIA DOOR ASSEMBLY, storage, with 14 (right) (vivid black)	FLTRK, FLTRXS

INDEX NO.	PART NO.	DESCRIPTION	MODEL(S)
45	76000426BYM	MEDIA DOOR ASSEMBLY, storage, with 14 (left) (not shown) (black denim)	FLTRX
45	76000426DH	MEDIA DOOR ASSEMBLY, storage, with 14 (left) (not shown) (vivid black)	FLTRK, FLTRXS
46	76000398	HINGE ASSEMBLY, media storage (right)	FLTRK, FLTRX, FLTRXS
46	76000436	HINGE ASSEMBLY, media storage (left) (not shown)	FLTRK, FLTRX, FLTRXS
47	76000458	SPEAKER ENCLOSURE, with 11668 (right)	FLTRK, FLTRX, FLTRXS
47	76000460	SPEAKER ENCLOSURE, with 11668 (left) (not shown)	FLTRK, FLTRX, FLTRXS
48	57300388	SCREW	FLTRK, FLTRX, FLTRXS

FAIRING, LOWERS, TWIN-COOLED™ - FLHTK, FLTRK



VIEW INTERACTIVE IMAGE

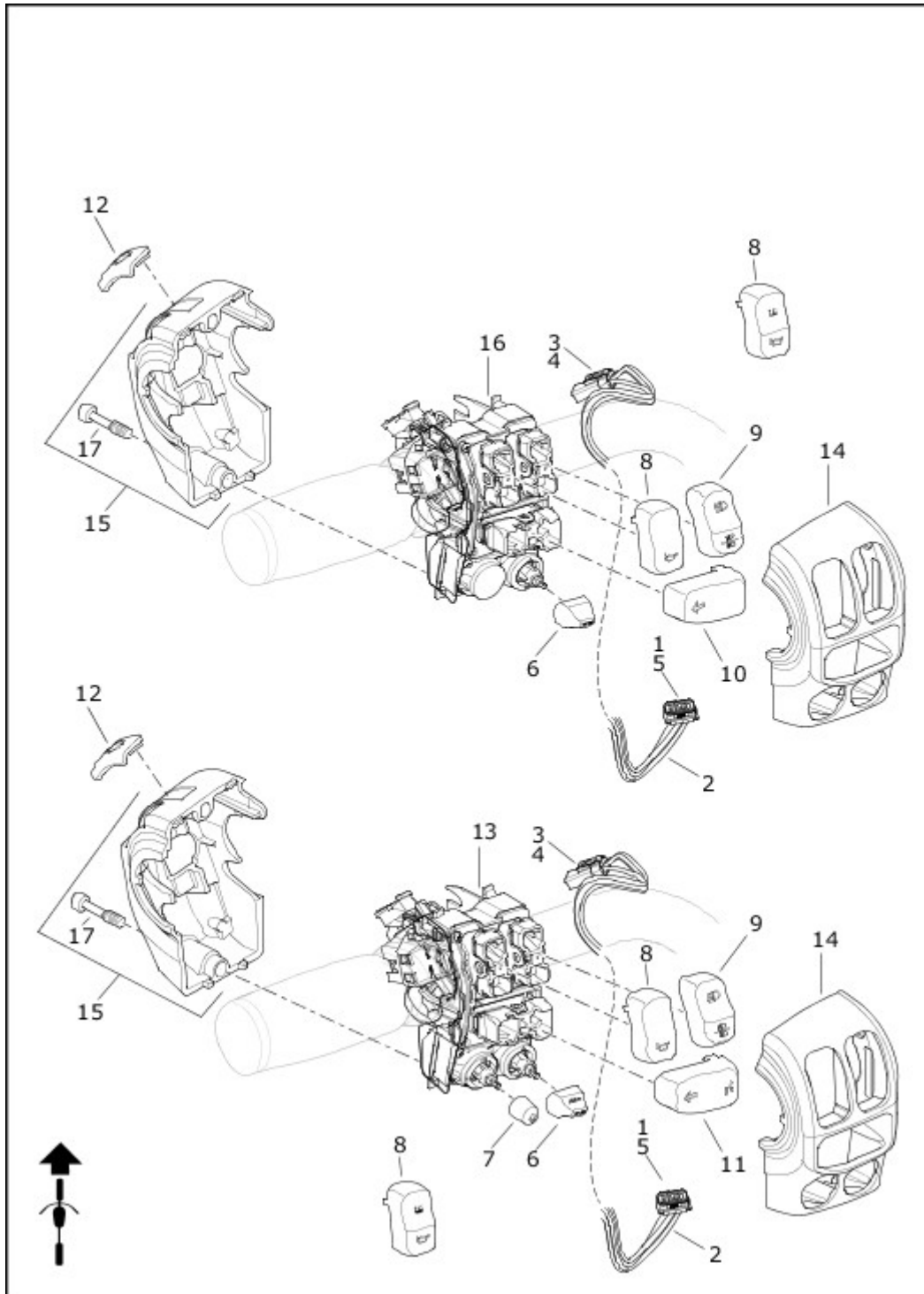
[View interactive table](#)

INDEX NO.	PART NO.	DESCRIPTION	MODEL(S)
NOTE: Refer to Painted Parts Book for painted part numbers.			
1	3655A	SCREW (2)	FLHTK, FLHTK SHRINE, FLTRK
2	6235	WASHER (2)	FLHTK, FLHTK SHRINE,

INDEX NO.	PART NO.	DESCRIPTION	MODEL(S)
			FLTRK
3	7415A	WASHER (2)	FLHTK, FLHTK SHRINE, FLTRK
4	7576	NUT (2)	FLHTK, FLHTK SHRINE, FLTRK
5	7716	LOCKNUT (8)	FLHTK, FLHTK SHRINE, FLTRK
6	8175	BOLT, retainer (2)	FLHTK, FLHTK SHRINE, FLTRK
7	11519	MOUNT, rubber (right)	FLHTK, FLHTK SHRINE, FLTRK
8	10200052	SCREW (4)	FLHTK, FLHTK SHRINE, FLTRK
9	12200025	CLIP (10)	FLHTK, FLHTK SHRINE, FLTRK
10	12600049	SCREW (8)	FLHTK, FLHTK SHRINE, FLTRK
11	26800008	DUCT, radiator (left)	FLHTK, FLHTK SHRINE, FLTRK
12	26800009	DUCT, radiator (right)	FLHTK, FLHTK SHRINE, FLTRK
13	47200275	CLAMP (2)	FLHTK, FLHTK SHRINE, FLTRK
14	57100099	PANEL ASSEMBLY, glove box, with 12200025 (2)	FLHTK, FLHTK SHRINE, FLTRK
15	57100107	GLOVE BOX ASSEMBLY, with 12600049, 57100148, 57100164, 57100165 and 57100225 (left)	FLHTK, FLHTK SHRINE, FLTRK
16	57100109	GLOVE BOX ASSEMBLY, with 12600049, 57100147, 57100164, 57100165 and 57100225 (right)	FLHTK, FLHTK SHRINE, FLTRK
17	57100111	CAP, fairing (lower) (left) (unpainted)	FLHTK, FLHTK SHRINE, FLTRK
18	57100112	FAIRING (lower) (left) (unpainted)	FLHTK, FLHTK SHRINE, FLTRK
19	57100113	CAP, fairing (lower) (right) (unpainted)	FLHTK, FLHTK SHRINE, FLTRK
20	57100114	FAIRING (lower) (right) (unpainted)	FLHTK, FLHTK SHRINE, FLTRK
21	57100147	FRAME, glove box, with 12200025 (right)	FLHTK, FLHTK SHRINE, FLTRK

INDEX NO.	PART NO.	DESCRIPTION	MODEL(S)
22	57100148	FRAME, glove box, with 12200025 (left)	FLHTK, FLHTK SHRINE, FLTRK
23	57100151	SCREEN, radiator (left)	FLHTK, FLHTK SHRINE, FLTRK
24	57100152	SCREEN, radiator (right)	FLHTK, FLHTK SHRINE, FLTRK
25	57100153	GASKET, radiator (2)	FLHTK, FLHTK SHRINE, FLTRK
26	57100154	HINGE (2)	FLHTK, FLHTK SHRINE, FLTRK
27	57100155	DOOR, vent (2)	FLHTK, FLHTK SHRINE, FLTRK
28	57100164	LINK, door, vent (2)	FLHTK, FLHTK SHRINE, FLTRK
29	57100165	KNOB, door, vent (2)	FLHTK, FLHTK SHRINE, FLTRK
30	57100170	FASCIA ASSEMBLY (lower) (left)	FLHTK, FLHTK SHRINE, FLTRK
31	57100171	FASCIA ASSEMBLY (lower) (right)	FLHTK, FLHTK SHRINE, FLTRK
32	57100172	CLAMP, lower fairing	FLHTK, FLHTK SHRINE, FLTRK
33	57100187	RETAINER, U-bolt (2)	FLHTK, FLHTK SHRINE, FLTRK
34	57100200	PIN, door, vent (2)	FLHTK, FLHTK SHRINE, FLTRK
35	57100225	SLIDER, door, vent (2)	FLHTK, FLHTK SHRINE, FLTRK
36	57100256	CLAMP, lower fairing	FLHTK, FLHTK SHRINE, FLTRK

SWITCHES, HANDLEBAR, LEFT - EXCEPT FLHRXS



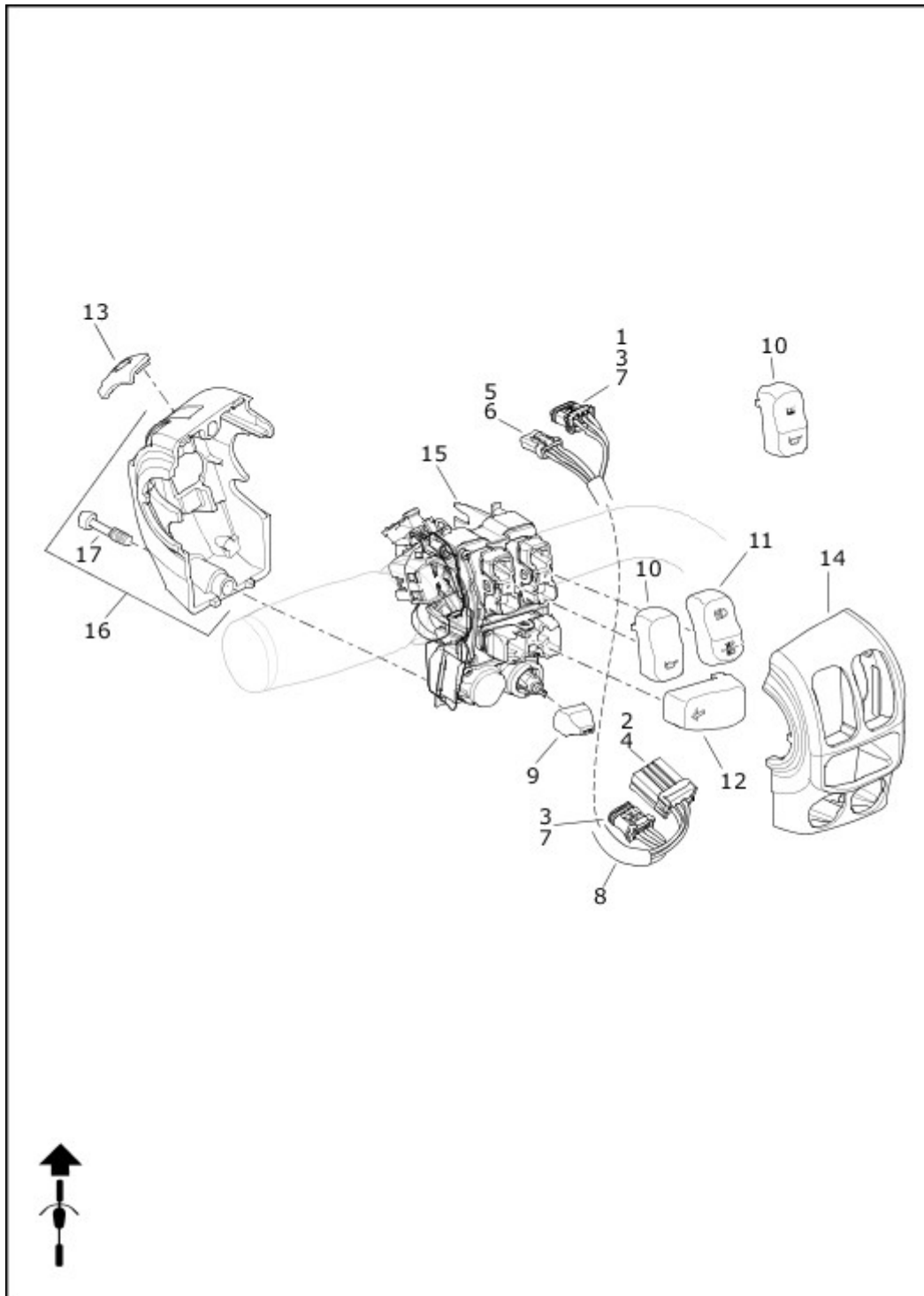
VIEW INTERACTIVE IMAGE

[View interactive table](#)

INDEX NO.	PART NO.	DESCRIPTION	MODEL(S)
1	72908-11	HOUSING, four-way socket (black)	FLH, FLHR, FLHT, FLHTK, FLHTK SHRINE, FLHX, FLHXS, FLTRK, FLTRX, FLTRXS
2	69202614	WIRE HARNESS, left hand control jumper, with 72908-11, 69200306, 69200307 and 69200308	FLH, FLHR, FLHT, FLHTK, FLHTK SHRINE, FLHX, FLHXS, FLTRX, FLTRXS

INDEX NO.	PART NO.	DESCRIPTION	MODEL(S)
2	69202615	WIRE HARNESS, left hand control jumper, with 72908-11, 69200306, 69200307 and 69200308	FLTRK
3	69200306	SOCKET HOUSING, four-way	FLH, FLHR, FLHT, FLHTK, FLHTK SHRINE, FLHX, FLHXS, FLTRK, FLTRX, FLTRXS
4	69200307	TERMINAL, socket, 22 AWG (4)	FLH, FLHR, FLHT, FLHTK, FLHTK SHRINE, FLHX, FLHXS, FLTRK, FLTRX, FLTRXS
5	69200308	TERMINAL, socket, 22 AWG (4)	FLH, FLHR, FLHT, FLHTK, FLHTK SHRINE, FLHX, FLHXS, FLTRK, FLTRX, FLTRXS
6	71500044	SWITCH CAP, cruise	FLH, FLHR, FLHT, FLHTK, FLHTK SHRINE, FLHX, FLHXS, FLTRK, FLTRX, FLTRXS
7	71500045	SWITCH CAP, audio home	FLH, FLHTK, FLHTK SHRINE, FLHX, FLHXS, FLTRK, FLTRX, FLTRXS
8	71500047	SWITCH CAP, horn	FLHR, FLHT, FLHTK, FLHTK SHRINE, FLHX, FLHXS, FLTRK, FLTRX, FLTRXS
8	71500488	SWITCH CAP, horn and traction control	FLH, FLHR, FLHRXS, FLHTK, FLHTK SHRINE, FLHX, FLHXS, FLTRK, FLTRX, FLTRXS
9	71500048	SWITCH CAP, lights, high beam, low beam and flash to pass	FLH, FLHR, FLHT, FLHTK, FLHTK SHRINE, FLHX, FLHXS, FLTRK, FLTRX, FLTRXS
10	71500053	SWITCH CAP, left turn signal	FLHR, FLHT
11	71500055	SWITCH CAP, left turn signal and voice recognition	FLH, FLHTK, FLHTK SHRINE, FLHX, FLHXS, FLTRK, FLTRX, FLTRXS
12	71500094	SWITCH CAP, trigger switch	FLH, FLHR, FLHT, FLHTK, FLHTK SHRINE, FLHX, FLHXS, FLTRK, FLTRX, FLTRXS
13	71500562	SWITCH PACK, left hand control, with 6, 7, 8, 9 and 11 (without traction control)	FLHTK, FLHTK SHRINE, FLHX, FLHXS, FLTRK, FLTRX, FLTRXS
13	71500566	SWITCH PACK, left hand control, with 6, 7, 8, 9 and 11 (with traction control)	FLH, FLHTK, FLHTK SHRINE, FLHX, FLHXS, FLTRK, FLTRX, FLTRXS
14	71500338	COVER, front, left hand control	FLH, FLHR, FLHT, FLHTK, FLHTK SHRINE, FLHX, FLHXS, FLTRK, FLTRX, FLTRXS
15	71500342	COVER, rear, left hand control, with 10500008	FLH, FLHR, FLHT, FLHTK, FLHTK SHRINE, FLHX, FLHXS, FLTRK, FLTRX, FLTRXS
16	71500564	SWITCH PACK, left hand control, with 6, 8, 9 and 10 (without traction control)	FLHR, FLHT
16	71500568	SWITCH PACK, left hand control, with 6, 8, 9 and 10 (with traction control)	FLHR, FLHT
17	10500008	SCREW (2)	FLH, FLHR, FLHT, FLHTK, FLHTK SHRINE, FLHX, FLHXS, FLTRK, FLTRX, FLTRXS

SWITCHES, HANDLEBAR, LEFT - FLHRXS



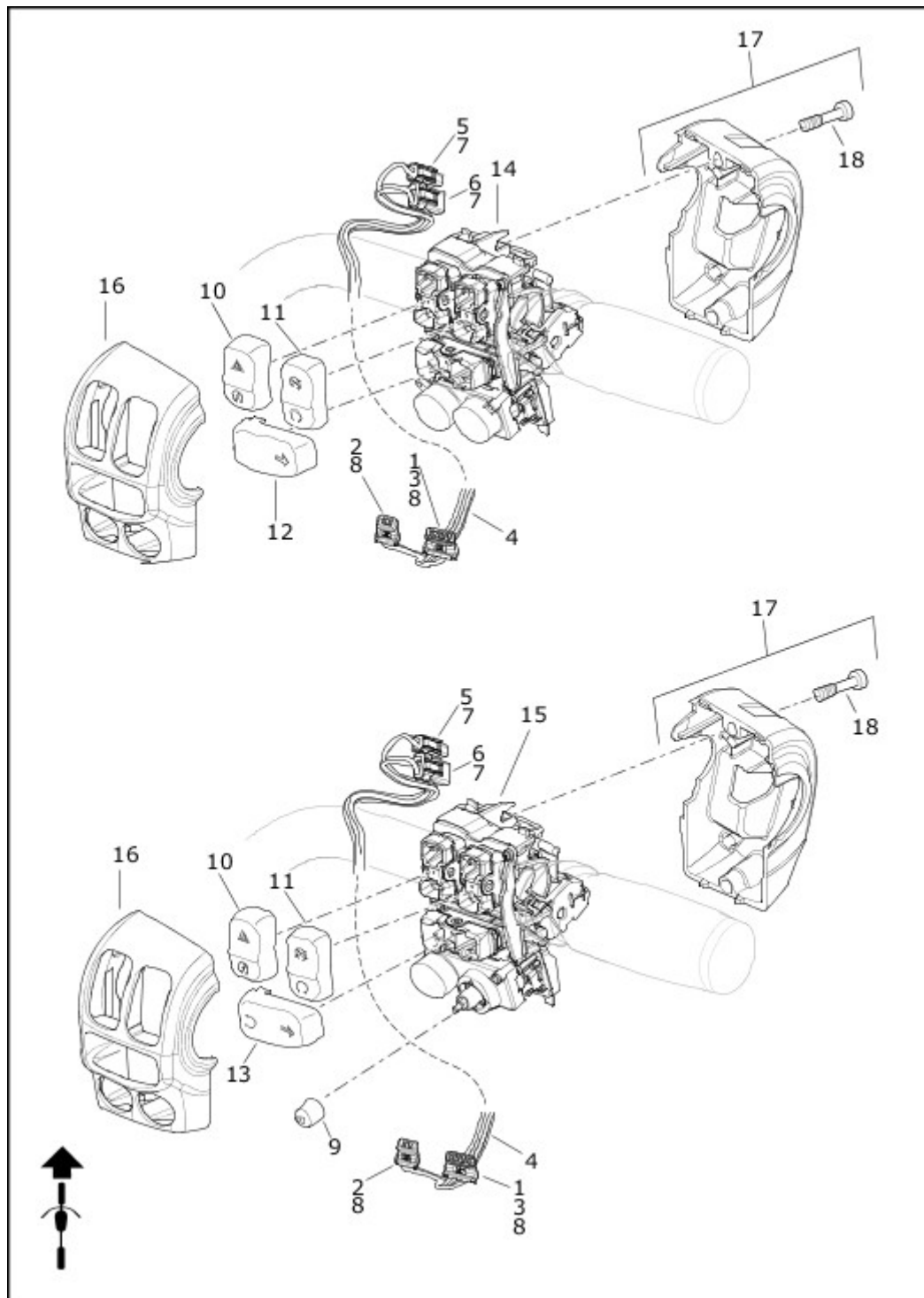
VIEW INTERACTIVE IMAGE

[View interactive table](#)

INDEX NO.	PART NO.	DESCRIPTION	MODEL(S)
1	5118	SEAL PIN	FLHRXS
2	72560-07	TERMINAL, socket, 22 AWG (3)	FLHRXS

INDEX NO.	PART NO.	DESCRIPTION	MODEL(S)
3	72908-11	HOUSING, four-way socket (black) (2)	FLHRXS
4	73154-96BK	HOUSING, four-way socket	FLHRXS
5	69200306	HOUSING, four-way socket	FLHRXS
6	69200307	TERMINAL, socket, 22 AWG (4)	FLHRXS
7	69200308	TERMINAL, socket, 22 AWG (7)	FLHRXS
8	69202616	WIRE HARNESS, left hand control jumper, with 5118, 72560-07, 72908-11, 73154-96BK, 69200306, 69200307 and 69200308	FLHRXS
9	71500044	SWITCH CAP, cruise	FLHRXS
10	71500047	SWITCH CAP, horn	FLHRXS
10	71500488	SWITCH CAP, horn and traction control	FLHRXS
11	71500048	SWITCH CAP, lights, high beam, low beam and flash to pass	FLHRXS
12	71500053	SWITCH CAP, left turn signal	FLHRXS
13	71500094	SWITCH CAP, trigger switch	FLHRXS
14	71500338	COVER, front, left hand control	FLHRXS
15	71500564	SWITCH PACK, left hand control, with 9, 10, 11 and 12 (without traction control)	FLHRXS
15	71500568	SWITCH PACK, left hand control, with 9, 10, 11 and 12 (with traction control)	FLHRXS
16	71500473	COVER, rear, left hand control, with 10500008	FLHRXS
17	10500008	SCREW (2)	FLHRXS

SWITCHES, HANDLEBAR, RIGHT - EXCEPT FLHRXS



VIEW INTERACTIVE IMAGE

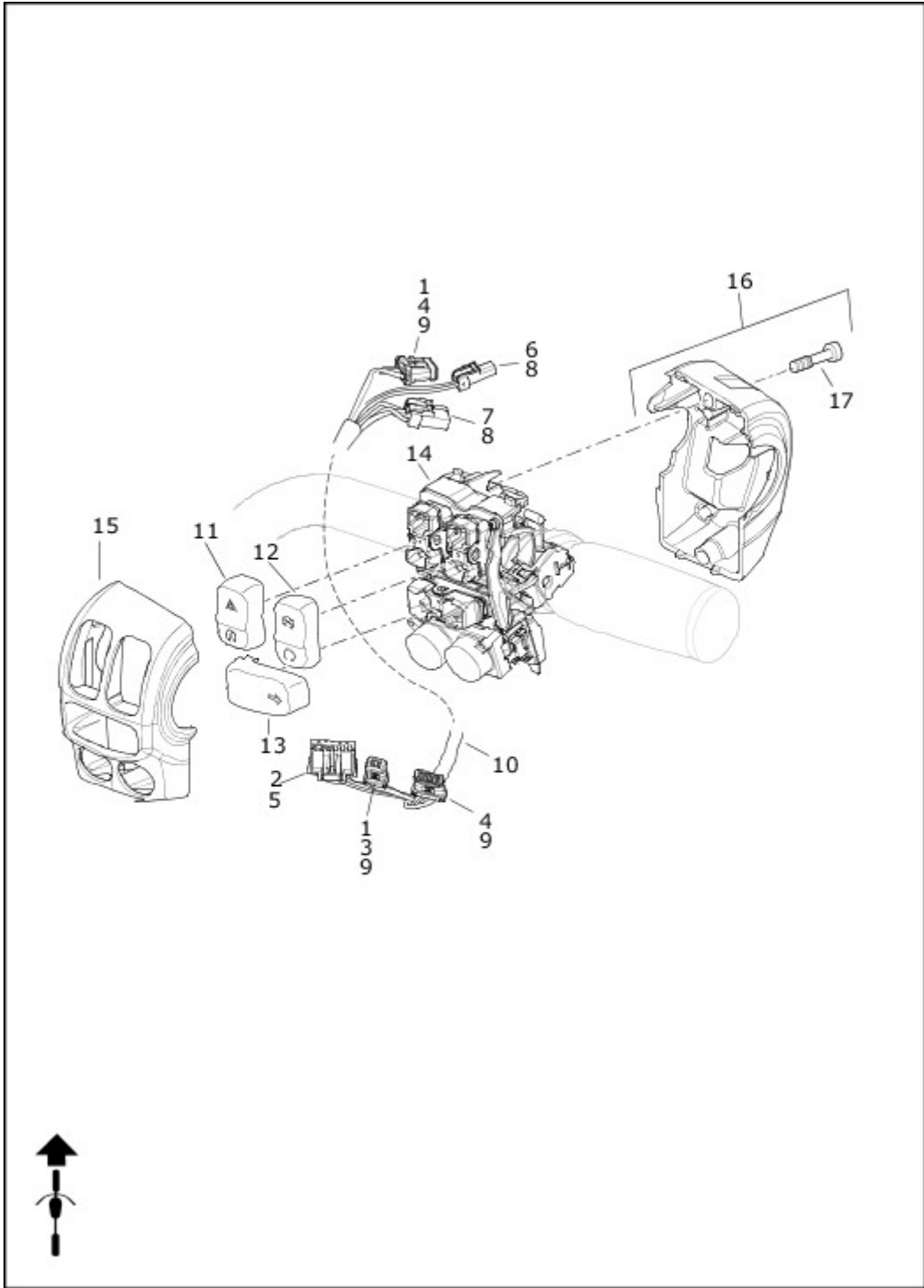
[View interactive table](#)

INDEX NO.	PART NO.	DESCRIPTION	MODEL(S)
1	5118	SEAL PIN	FLH, FLHR, FLHT, FLHTK, FLHTK SHRINE, FLHX, FLHXS, FLTRK, FLTRX, FLTRXS
2	72906-11	HOUSING, two-way socket (black)	FLH, FLHR, FLHT, FLHTK, FLHTK SHRINE, FLHX, FLHXS, FLTRK, FLTRX,

INDEX NO.	PART NO.	DESCRIPTION	MODEL(S)
			FLTRXS
3	72908-11	HOUSING, four-way socket (black)	FLH, FLHR, FLHT, FLHTK, FLHTK SHRINE, FLHX, FLHXS, FLTRK, FLTRX, FLTRXS
4	69200179	WIRE HARNESS, right hand control jumper, with 5118, 72906-11, 72908-11, 69200305, 69200306, 69200307 and 69200308	FLH, FLHR, FLHT, FLHTK, FLHTK SHRINE, FLHX, FLHXS, FLTRX, FLTRXS
4	69200631	WIRE HARNESS, right hand control jumper, with 5118, 72906-11, 72908-11, 69200305, 69200306, 69200307 and 69200308	FLTRK
5	69200305	HOUSING, two-way socket (white)	FLH, FLHR, FLHT, FLHTK, FLHTK SHRINE, FLHX, FLHXS, FLTRK, FLTRX, FLTRXS
6	69200306	HOUSING, four-way socket (white)	FLH, FLHR, FLHT, FLHTK, FLHTK SHRINE, FLHX, FLHXS, FLTRK, FLTRX, FLTRXS
7	69200307	TERMINAL, socket, 22 AWG (5)	FLH, FLHR, FLHT, FLHTK, FLHTK SHRINE, FLHX, FLHXS, FLTRK, FLTRX, FLTRXS
8	69200308	TERMINAL, socket, 22 AWG (5)	FLH, FLHR, FLHT, FLHTK, FLHTK SHRINE, FLHX, FLHXS, FLTRK, FLTRX, FLTRXS
9	71500046	SWITCH CAP, audio select	FLH, FLHTK, FLHTK SHRINE, FLHX, FLHXS, FLTRK, FLTRX, FLTRXS
10	71500049	SWITCH CAP, start/hazard	FLH, FLHR, FLHT, FLHTK, FLHTK SHRINE, FLHX, FLHXS, FLTRK, FLTRX, FLTRXS
11	71500050	SWITCH CAP, stop and run	FLH, FLHR, FLHT, FLHTK, FLHTK SHRINE, FLHX, FLHXS, FLTRK, FLTRX, FLTRXS
12	71500057	SWITCH CAP, right turn signal	FLHR, FLHT
13	71500478	SWITCH CAP, right turn signal and back	FLH, FLHTK, FLHTK SHRINE, FLHXS, FLTRK, FLTRXS
13	71500478	SWITCH CAP, right turn signal and back (used with BOOM! [™] BOX GTS)	FLHX, FLTRX
13	71500063	SWITCH CAP, right turn signal and info (not illustrated) (used with BOOM! [™] BOX 4.3)	FLHX, FLTRX
14	71500127C	SWITCH PACK, right hand control, with 71500049, 71500050 and 71500057	FLHR, FLHT
15	71500501	SWITCH PACK, right hand control, with 71500046, 71500049, 71500050 and 71500478	FLH, FLHTK, FLHTK SHRINE, FLHXS, FLTRK, FLTRXS

INDEX NO.	PART NO.	DESCRIPTION	MODEL(S)
15	71500501	SWITCH PACK, right hand control, with 71500046, 71500049, 71500050 and 71500478 (used with BOOM! TM BOX GTS)	FLHX, FLTRX
15	71500129C	SWITCH PACK, right hand control, with 71500046, 71500049, 71500050 and 71500063 (used with BOOM! TM BOX 4.3)	FLHX, FLTRX
16	71500340	COVER, front, right hand control	FLH, FLHR, FLHT, FLHTK, FLHTK SHRINE, FLHX, FLHXS, FLTRK, FLTRX, FLTRXS
17	71500348	COVER, rear, right hand control, with 10500008	FLH, FLHR, FLHT, FLHTK, FLHTK SHRINE, FLHX, FLHXS, FLTRK, FLTRX, FLTRXS
18	10500008	SCREW (2)	FLH, FLHR, FLHT, FLHTK, FLHTK SHRINE, FLHX, FLHXS, FLTRK, FLTRX, FLTRXS

SWITCHES, HANDLEBAR, RIGHT - FLHRXS



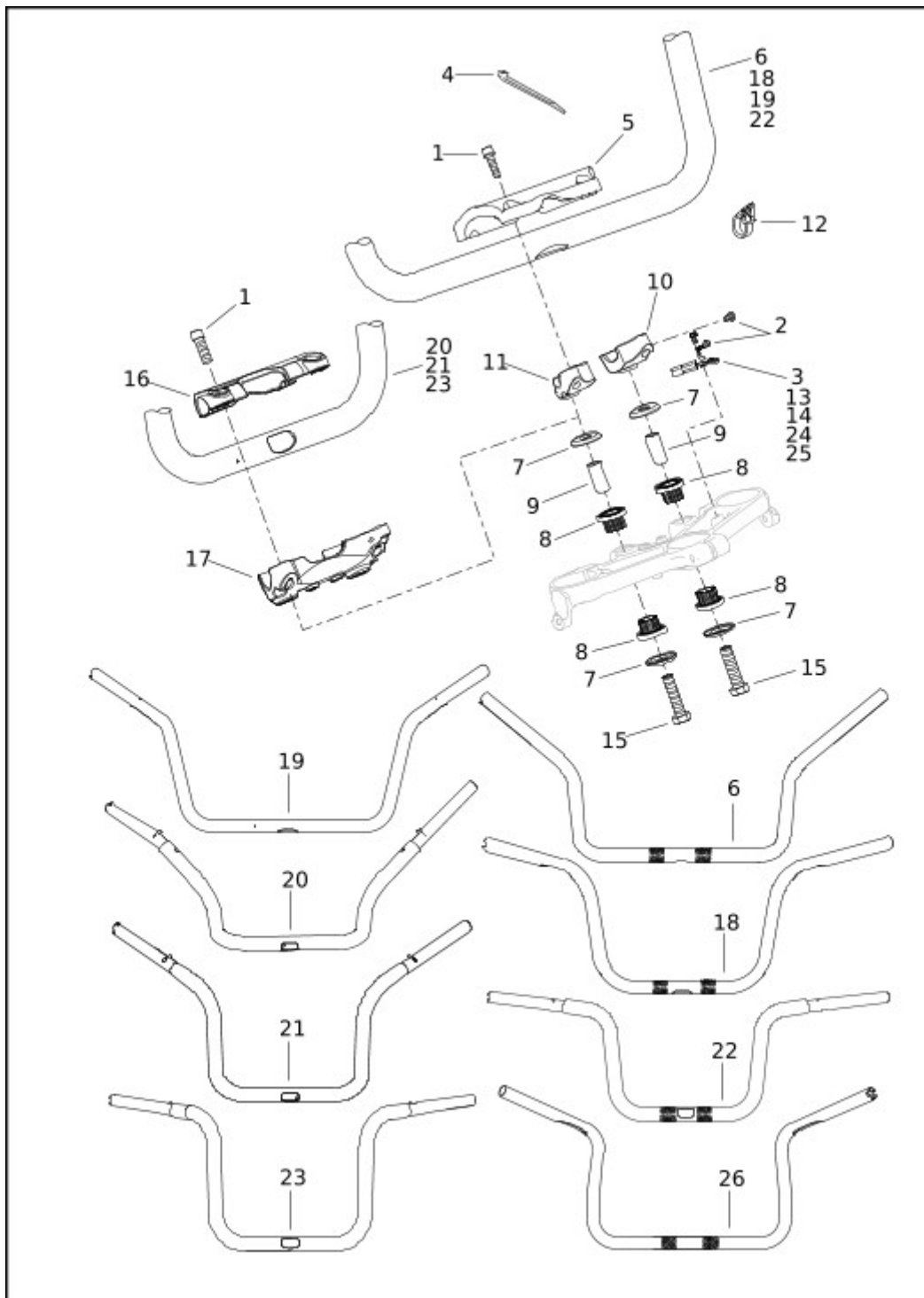
VIEW INTERACTIVE IMAGE

[View interactive table](#)

INDEX NO.	PART NO.	DESCRIPTION	MODEL(S)
1	5118	SEAL PIN (2)	FLHRXS
2	72560-07	TERMINAL, socket, 22 AWG (3)	FLHRXS
3	72906-11	HOUSING, two-way socket (black)	FLHRXS

INDEX NO.	PART NO.	DESCRIPTION	MODEL(S)
4	72908-11	HOUSING, four-way socket (black)	FLHRXS
5	73156-96BK	HOUSING, six-way socket (black)	FLHRXS
6	69200305	HOUSING, two-way socket (white)	FLHRXS
7	69200306	HOUSING, four-way socket (white)	FLHRXS
8	69200307	TERMINAL, socket, 22 AWG (5)	FLHRXS
9	69200308	TERMINAL, socket, 22 AWG (8)	FLHRXS
10	69201724	WIRE HARNESS, right hand control jumper, with 5118, 72560-07, 72906-11, 72908-11, 73156-96BK, 69200305, 69200306, 69200307 and 69200308	FLHRXS
11	71500049	SWITCH CAP, start/hazard	FLHRXS
12	71500050	SWITCH CAP, stop and run	FLHRXS
13	71500057	SWITCH CAP, right turn signal	FLHRXS
14	71500127C	SWITCH PACK, right hand control, with 71500049, 71500050 and 71500057	FLHRXS
15	71500340	COVER, front, right hand control	FLHRXS
16	71500475	COVER, rear, right hand control, with 10500008	FLHRXS
17	10500008	SCREW (2)	FLHRXS

HANDLEBAR



VIEW INTERACTIVE IMAGE

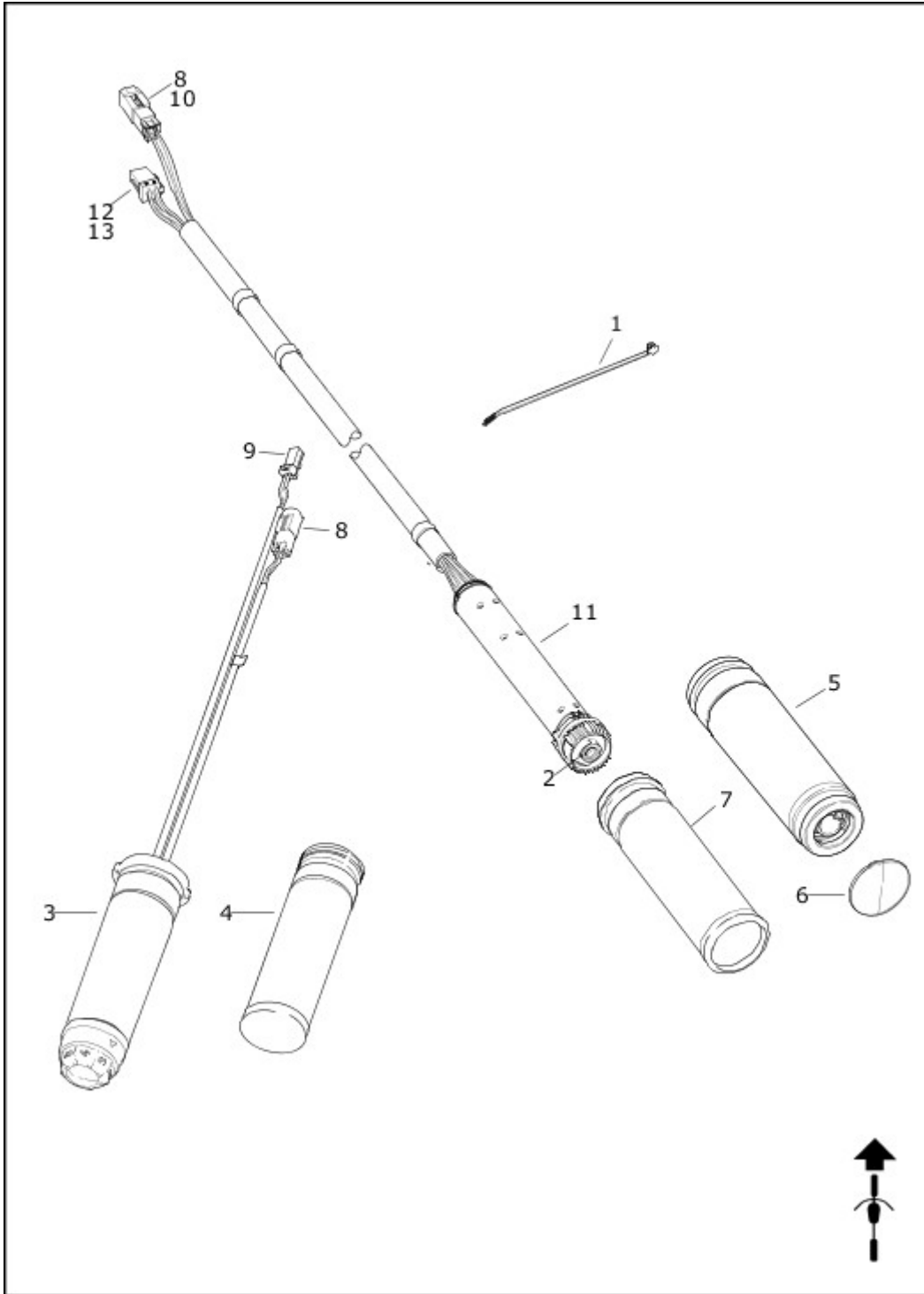
[View interactive table](#)

INDEX NO.	PART NO.	DESCRIPTION	MODEL(S)
1	2708A	SCREW (4)	ALL
2	4240	SCREW (2)	ALL
3	9853	TAB, fastening	ALL

INDEX NO.	PART NO.	DESCRIPTION	MODEL(S)
4	10006	CABLE STRAP (6)	FLH, FLHTK, FLHTK SHRINE, FLHX, FLHXS
4	10006	CABLE STRAP (5)	FLTRX, FLTRXS
5	55918-08	CLAMP (upper)	FLH, FLHR, FLHT, FLHTK, FLHTK SHRINE, FLHX, FLHXS
5	55900050	CLAMP (upper)	FLHRXS
6	55924-14A	HANDLEBAR (polished)	FLHT, FLHTK, FLHTK SHRINE, FLHX, FLHXS
7	56159-73	CUP WASHER (4)	ALL
8	56161-83A	BUSHING, rubber (4)	ALL
9	56163-93	SPACER (2)	ALL
10	57450-14	RISER (lower) (left)	FLH, FLHR, FLHT, FLHTK, FLHTK SHRINE, FLHX, FLHXS
10	55900051	RISER (lower) (left)	FLHRXS
11	57451-14	RISER (lower) (right)	FLH, FLHR, FLHT, FLHTK, FLHTK SHRINE, FLHX, FLHXS
11	55900052	RISER (lower) (right)	FLHRXS
12	70345-84	RETAINER (4)	FLHR
13	72053-92	HOUSING, one-way pin	ALL
14	72241-94A	TERMINAL, 10 ring, 14-18 AWG	ALL
15	12600032	SCREW (2)	ALL
16	55900071	CLAMP (upper)	FLTRK, FLTRX, FLTRXS
17	55900078	RISER, handlebar	FLTRX, FLTRXS
17	55900079	RISER, handlebar	FLTRK
18	55800099	HANDLEBAR (chrome)	FLHR
19	55800767A	HANDLEBAR (black)	FLHTK, FLHTK SHRINE, FLHXS
20	55800332	HANDLEBAR (chrome)	FLTRX, FLTRXS
21	55800378	HANDLEBAR (black)	FLTRXS
22	55800734	HANDLEBAR (black)	FLHRXS
23	55800436	HANDLEBAR (chrome)	FLTRK
23	55800926	HANDLEBAR (black)	FLTRK

INDEX NO.	PART NO.	DESCRIPTION	MODEL(S)
24	69200224	WIRE HARNESS, triple clamp, ground jumper, with 9853, 72053-92, 72241-94A and 69200536	ALL
25	69200536	TERMINAL, ring, 12-14 AWG	ALL
26	55801066A	HANDLEBAR (polished)	FLH

THROTTLE CONTROL



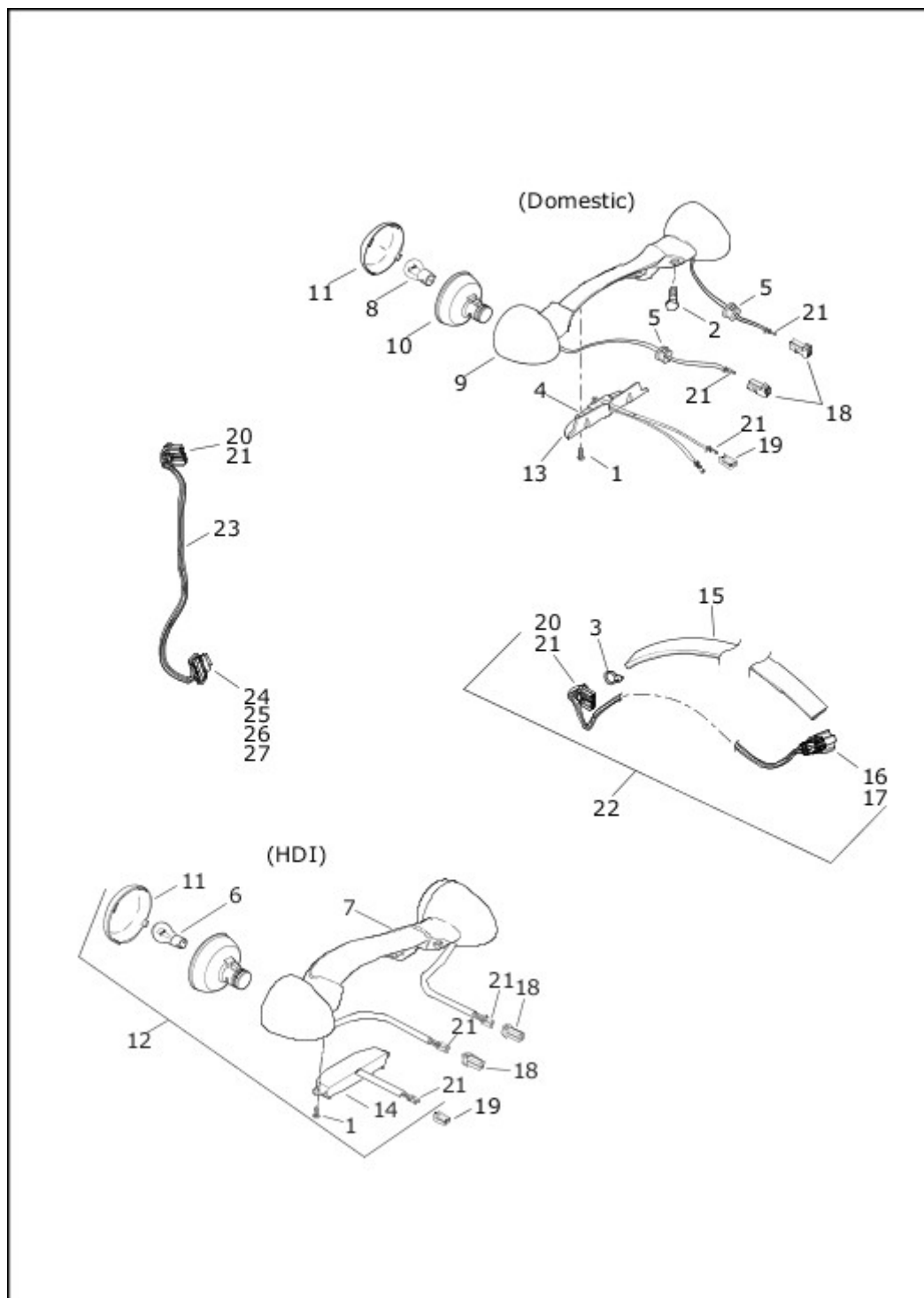
VIEW INTERACTIVE IMAGE

[View interactive table](#)

INDEX NO.	PART NO.	DESCRIPTION	MODEL(S)
1	10006	CABLE STRAP	ALL
2	32306-08	SEAL CAP, throttle sensor	ALL
3	56209-10A	GRIP, heated, with 72902-01BK and 72912-01BK (left)	FLHTK, FLHTK SHRINE, FLTRK

INDEX NO.	PART NO.	DESCRIPTION	MODEL(S)
4	56248-08	GRIP (left)	FLH, FLHR, FLHRXS, FLHT, FLHX, FLHXS, FLTRX, FLTRXS
5	56249-10	GRIP, heated (right)	FLHTK, FLHTK SHRINE, FLTRK
6	56250-10	END CAP (right)	FLHTK, FLHTK SHRINE, FLTRK
7	56304-08	GRIP AND SLEEVE, throttle (right)	FLH, FLHR, FLHRXS, FLHT, FLHX, FLHXS, FLTRX, FLTRXS
8	72902-01BK	HOUSING, two-way pin (black)	FLH, FLHR, FLHRXS, FLHT, FLHX, FLHXS, FLTRX, FLTRXS
8	72902-01BK	HOUSING, two-way pin (black) (2)	FLHTK, FLHTK SHRINE, FLTRK
9	72912-01BK	HOUSING, two-way socket (black)	FLHTK, FLHTK SHRINE, FLTRK
10	72990-01	PIN TERMINAL (2)	ALL
11	32700050A	SENSOR, twist grip, with 32306-08, 72902-01BK, 72990-01, 69200307 and 69201162	ALL
12	69200307	TERMINAL, socket, 22 AWG (6)	ALL
13	69201162	HOUSING, six-way socket (black)	ALL

TAIL LAMP AND TURN SIGNALS, REAR - FLHT AND FLH



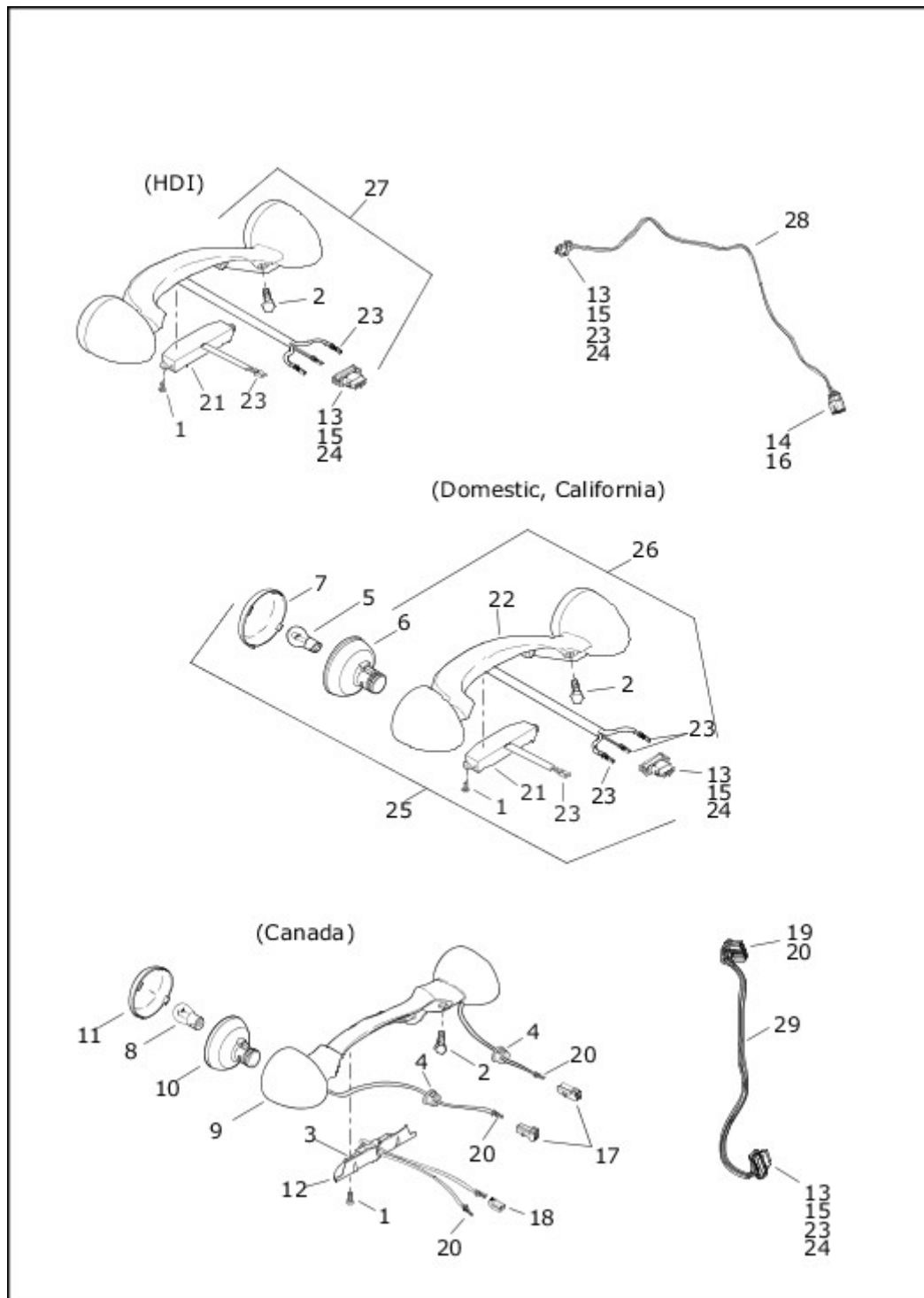
VIEW INTERACTIVE IMAGE

[View interactive table](#)

INDEX NO.	PART NO.	DESCRIPTION	MODEL(S)
1	2482	SCREW (2)	FLH, FLHT
2	3576	SCREW (2)	FLH, FLHT
3	10006	CABLE STRAP	FLH, FLHT

INDEX NO.	PART NO.	DESCRIPTION	MODEL(S)
4	52441-95	BULB (2)	FLH, FLHT
5	67266-94	BUSHING (2)	FLH, FLHT
6	68163-84	BULB (HDI) (2)	FLH, FLHT
7	68550-09	BRACKET	FLH, FLHT
8	68572-64B	BULB (Domestic) (2)	FLH, FLHT
9	68629-05	LIGHTBAR (Domestic)	FLH, FLHT
10	68905-00	SOCKET ASSEMBLY (Domestic) (2)	FLH, FLHT
11	68973-00	LENS (2)	FLH, FLHT
12	68997-09	LAMP ASSEMBLY, rear turn signal, with 1, 6, 7, 11, 14, 18 and 21 (HDI)	FLH, FLHT
13	69353-05	LAMP ASSEMBLY, with 52441-95 and 73191-96 (Domestic)	FLH, FLHT
14	69378-09	LIGHT ASSEMBLY, with 73191-96 and lens (HDI)	FLH, FLHT
15	70522-06B	CONDUIT, self-adhesive	FLH, FLHT
16	72168-07	TERMINAL, socket, 18-20 AWG (6)	FLH, FLHT
17	72414-07BK	HOUSING, six-way socket (black)	FLH, FLHT
18	73152-96BK	HOUSING, two-way socket (black) (2)	FLH, FLHT
19	73153-96BK	HOUSING, three-way socket (black)	FLH, FLHT
20	73156-96BK	HOUSING, six-way socket (black)	FLH, FLHT
21	73191-96	TERMINAL, socket, 16-20 AWG (12)	FLH, FLHT
22	69200128	HARNESS, with 3, 15, 16, 17, 20 and 21 (Domestic, HDI)	FLHT
22	69200128	HARNESS, with 3, 15, 16, 17, 20 and 21 (Domestic, HDI, Canada, Australia, England, Japan, HD4)	FLH
23	69200130	HARNESS, with 20, 21, 24, 25, 26 and 27 (Canada, Australia, England, Japan)	FLHT
24	72130-04	HOUSING, 12-way socket (black)	FLHT
25	74197-04	SECONDARY LOCK, 12-way socket	FLHT
26	74196-04	TERMINAL, socket, 20 AWG (7)	FLHT
27	72189-04	SEAL PIN (5)	FLHT

TAIL LAMP AND TURN SIGNALS, REAR - FLHRXS, FLHX, FLHXS, FLTRX, FLTRXS



VIEW INTERACTIVE IMAGE

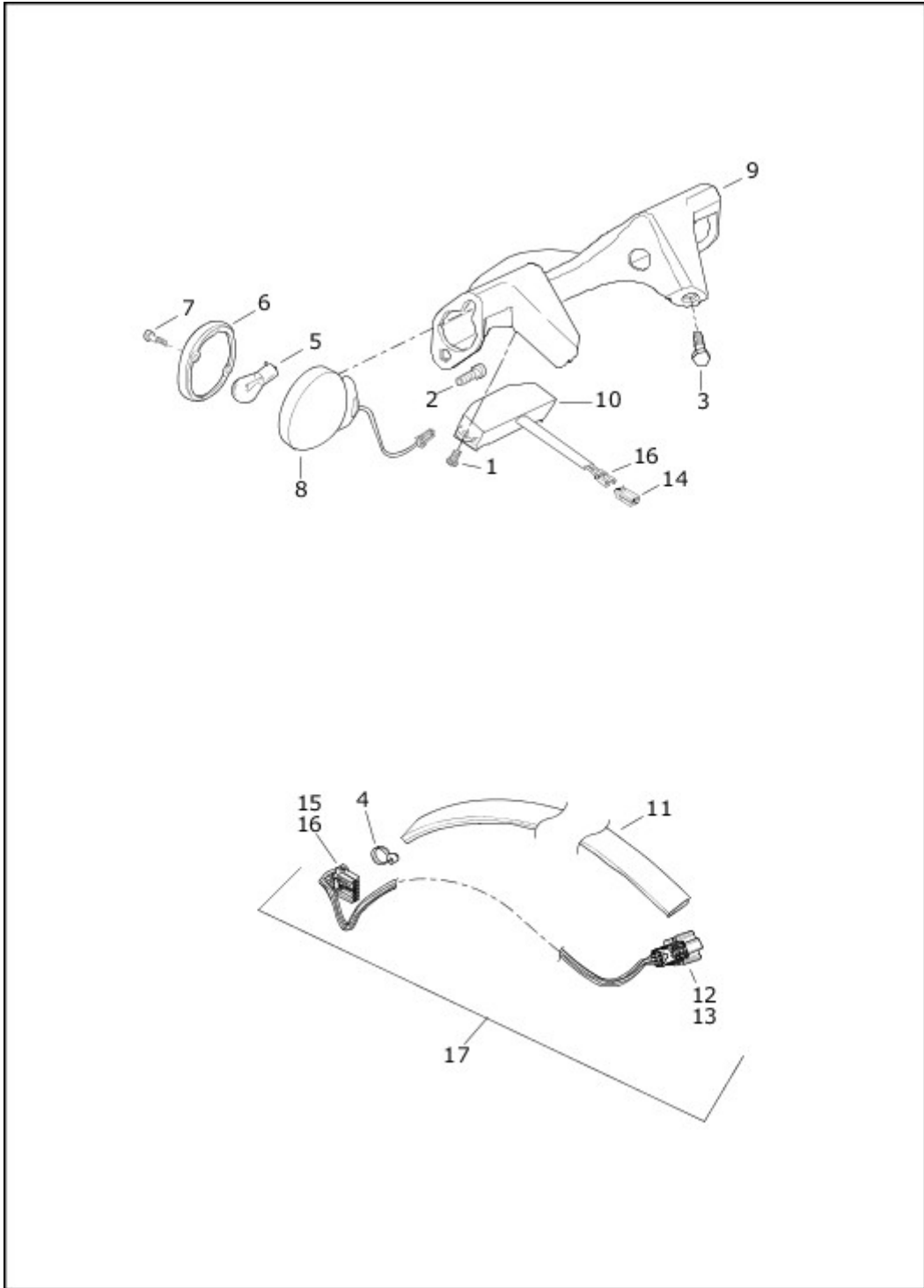
[View interactive table](#)

INDEX NO.	PART NO.	DESCRIPTION	MODEL(S)
1	2482	SCREW (2)	FLHRXS, FLHX, FLHXS, FLTRX, FLTRXS
2	3576	SCREW (2)	FLHRXS, FLHX, FLHXS, FLTRX, FLTRXS

INDEX NO.	PART NO.	DESCRIPTION	MODEL(S)
3	52441-95	BULB, backlite (2)	FLHRXS, FLHX, FLHXS, FLTRX, FLTRXS
4	67266-94	BUSHING, nylon (2)	FLHRXS, FLHX, FLHXS, FLTRX, FLTRXS
5	68168-89A	BULB (2)	FLHRXS, FLHX, FLHXS, FLTRX, FLTRXS
6	68497-07	SOCKET ASSEMBLY, with mount (2)	FLHRXS, FLHX, FLHXS, FLTRX, FLTRXS
7	68559-07	LENS (red) (2)	FLHRXS, FLHX, FLHXS, FLTRX, FLTRXS
8	68572-64B	BULB (2)	FLHRXS, FLHX, FLHXS, FLTRX, FLTRXS
9	68629-05	LIGHTBAR, turn signal (chrome)	FLHX, FLHXS, FLTRX, FLTRXS
9	67800900	LIGHTBAR, turn signal (black)	FLHRXS, FLHXS, FLTRXS
10	68905-00	SOCKET ASSEMBLY (2)	FLHRXS, FLHX, FLHXS, FLTRX, FLTRXS
11	68973-00	LENS (2)	FLHRXS, FLHX, FLHXS, FLTRX, FLTRXS
12	69353-05	LAMP ASSEMBLY, with 52441-95 and 73191-96	FLHRXS, FLHX, FLHXS, FLTRX, FLTRXS
13	72130-04	HOUSING, 12-way socket (black) (except Canada) (2)	FLHRXS, FLHX, FLHXS, FLTRX, FLTRXS
13	72130-04	HOUSING, 12-way socket (black) (Canada)	FLHRXS, FLHX, FLHXS, FLTRX, FLTRXS
14	72168-07	TERMINAL, socket, 18-20 AWG (6)	FLHRXS, FLHX, FLHXS, FLTRX, FLTRXS
15	72189-04	SEAL PIN (except Canada) (9)	FLHRXS, FLHX, FLHXS, FLTRX, FLTRXS
15	72189-04	SEAL PIN (Canada) (5)	FLHRXS, FLHX, FLHXS, FLTRX, FLTRXS
16	72414-07BK	HOUSING, six-way socket (black)	FLHRXS, FLHX, FLHXS, FLTRX, FLTRXS
17	73152-96BK	HOUSING, two-way socket (black) (2)	FLHRXS, FLHX, FLHXS, FLTRX, FLTRXS
18	73153-96BK	HOUSING, three-way socket (black)	FLHRXS, FLHX, FLHXS, FLTRX, FLTRXS
19	73156-96BK	HOUSING, six-way socket (black)	FLHRXS, FLHX, FLHXS, FLTRX, FLTRXS

INDEX NO.	PART NO.	DESCRIPTION	MODEL(S)
20	73191-96	TERMINAL, socket, 16-20 AWG (10)	FLHRXS, FLHX, FLHXS, FLTRX, FLTRXS
21	73254-10	LIGHT ASSEMBLY, with 74196-04 and lens	FLHRXS, FLHX, FLHXS, FLTRX, FLTRXS
22	73309-10	BRACKET (chrome)	FLHX, FLHXS, FLTRX, FLTRXS
22	67800485	BRACKET (black)	FLHRXS, FLHXS, FLTRXS
23	74196-04	TERMINAL, socket, 20 AWG (except Canada) (15)	FLHRXS, FLHX, FLHXS, FLTRX, FLTRXS
23	74196-04	TERMINAL, socket, 20 AWG (Canada) (7)	FLHRXS, FLHX, FLHXS, FLTRX, FLTRXS
24	74197-04	SECONDARY LOCK, 12-way socket (except Canada) (2)	FLHRXS, FLHX, FLHXS, FLTRX, FLTRXS
24	74197-04	SECONDARY LOCK, 12-way socket (Canada)	FLHRXS, FLHX, FLHXS, FLTRX, FLTRXS
25	73314-10	DIRECTIONAL LAMP ASSEMBLY, rear, with 1, 5, 6, 7, 13, 15, 21, 22, 23 and 24 (chrome)	FLHX, FLHXS, FLTRX, FLTRXS
26	67800483	DIRECTIONAL LAMP ASSEMBLY, rear, with 1, 5, 13, 15, 21, 22, 23 and 24 (black)	FLHRXS, FLHXS, FLTRXS
27	67800132	DIRECTIONAL LAMP ASSEMBLY, rear, with 1, 13, 15, 21, 23 and 24 (chrome)	FLHX, FLHXS, FLTRX, FLTRXS
27	67800484	DIRECTIONAL LAMP ASSEMBLY, rear, with 1, 13, 15, 21, 23 and 24 (black)	FLHRXS, FLHXS, FLTRXS
28	69200129	HARNESS, rear lighting jumper, with 13, 14, 15, 16, 23 and 24 (except Canada)	FLHRXS, FLHX, FLHXS, FLTRX, FLTRXS
29	69200130	HARNESS, rear lighting, jumper, with 13, 15, 19, 20, 23 and 24 (Canada)	FLHRXS, FLHX, FLHXS, FLTRX, FLTRXS

TAIL LAMP AND TURN SIGNALS, REAR - FLHR



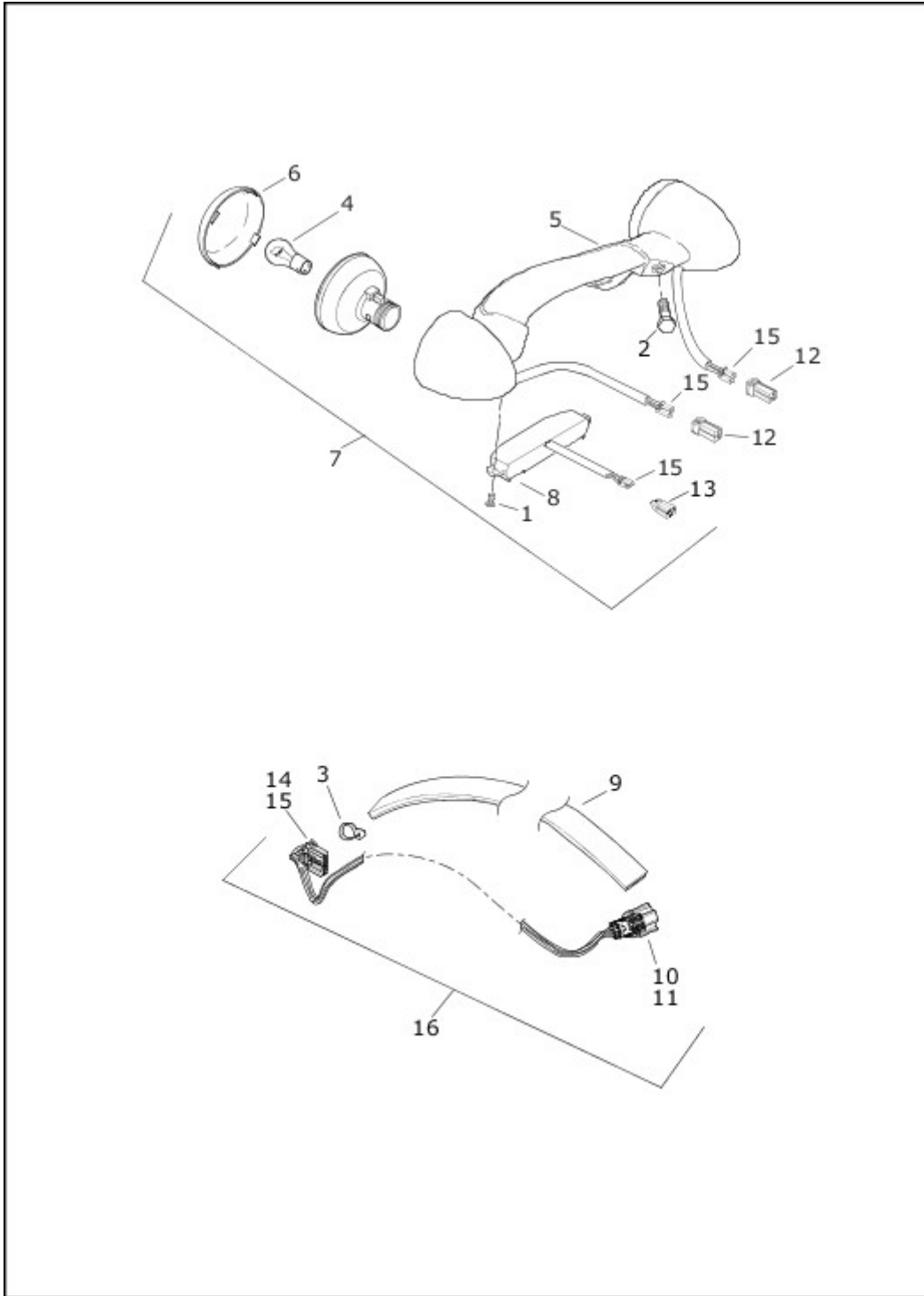
VIEW INTERACTIVE IMAGE

[View interactive table](#)

INDEX NO.	PART NO.	DESCRIPTION	MODEL(S)
1	2482	SCREW (2)	FLHR
2	2692WB	SCREW (4)	FLHR
3	3576	SCREW (2)	FLHR
4	10006	CABLE STRAP	FLHR

INDEX NO.	PART NO.	DESCRIPTION	MODEL(S)
5	68572-64B	BULB (Domestic) (2)	FLHR
5	68163-84	BULB (HDI) (2)	FLHR
6	68440-86	LENS (amber) (Domestic) (2)	FLHR
6	68506-92	LENS (amber) (HDI) (2)	FLHR
7	68452-86	SCREW (4)	FLHR
8	68713-94A	LAMP ASSEMBLY, with 5, 6 and 7 (Domestic) (2)	FLHR
8	68765-94A	LAMP ASSEMBLY, with 5, 6 and 7 (HDI) (2)	FLHR
9	68742-09	BRACKET, rear turn signal	FLHR
10	69378-09	LIGHT ASSEMBLY, with 73191-96 and lens	FLHR
11	70522-06B	CONDUIT, self-adhesive	FLHR
12	72168-07	TERMINAL, socket, 18-20 AWG (6)	FLHR
13	72414-07BK	HOUSING, six-way socket (black)	FLHR
14	73153-96BK	HOUSING, three-way socket (black)	FLHR
15	73156-96BK	HOUSING, six-way socket (black)	FLHR
16	73191-96	TERMINAL, socket, 16-20 AWG (12)	FLHR
17	69200128	HARNESS, tail lamps, with 4, 11, 12, 13, 15 and 16	FLHR

TAIL LAMP AND TURN SIGNALS, REAR - FLHTK, FLTRK (HDI)



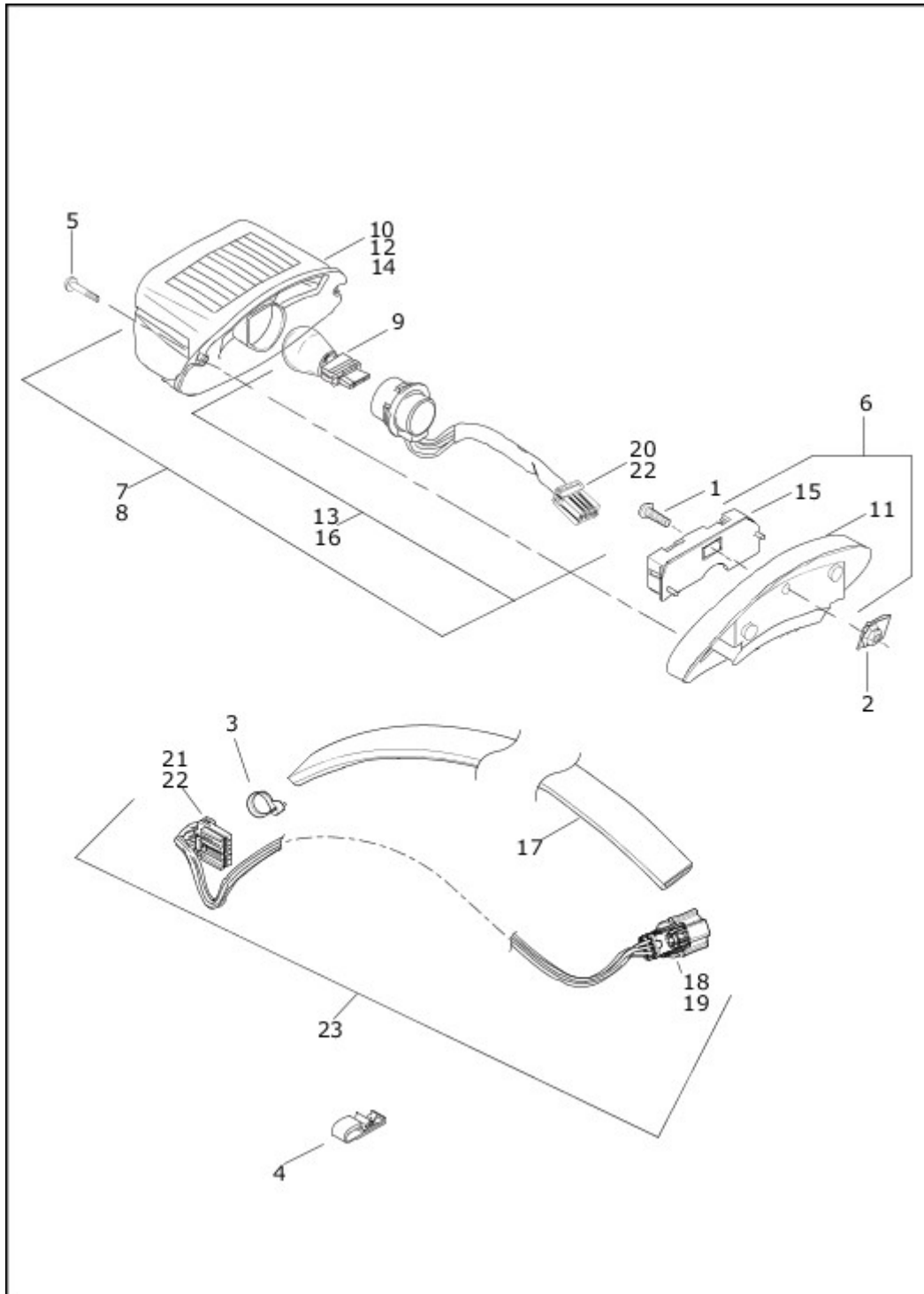
VIEW INTERACTIVE IMAGE

View interactive table

INDEX NO.	PART NO.	DESCRIPTION	MODEL(S)
1	2482	SCREW (2)	FLHTK, FLTRK
2	3576	SCREW (2)	FLHTK, FLTRK
3	10006	CABLE STRAP	FLHTK, FLTRK
4	68163-84	BULB (2)	FLHTK, FLTRK

INDEX NO.	PART NO.	DESCRIPTION	MODEL(S)
5	68550-09	BRACKET (chrome)	FLHTK, FLTRK
5	73326-10	BRACKET (black)	FLHTK, FLTRK
6	68973-00	LENS (2)	FLHTK, FLTRK
7	68997-09	LAMP ASSEMBLY, rear turn signal, with 1, 4, 5, 6, 8, 12 and 15 (chrome)	FLHTK, FLTRK
7	73325-10	LAMP ASSEMBLY, rear turn signal, with 1, 4, 5, 6, 8, 12 and 15 (black)	FLHTK, FLTRK
8	69378-09	LIGHT ASSEMBLY, with 73191-96 and lens	FLHTK, FLTRK
9	70522-06B	CONDUIT, self-adhesive	FLHTK, FLTRK
10	72168-07	TERMINAL, socket, 18-20 AWG (6)	FLHTK, FLTRK
11	72414-07BK	HOUSING, six-way socket (black)	FLHTK, FLTRK
12	73152-96BK	HOUSING, two-way socket (black) (2)	FLHTK, FLTRK
13	73153-96BK	HOUSING, three-way socket	FLHTK, FLTRK
14	73156-96BK	HOUSING, six-way socket (black)	FLHTK, FLTRK
15	73191-96	TERMINAL, socket, 16-20 AWG (12)	FLHTK, FLTRK
16	69200128	HARNESS, rear lamps, with 3, 9, 10, 11, 14 and 15	FLHTK, FLTRK

TAIL LAMP (1 OF 2)



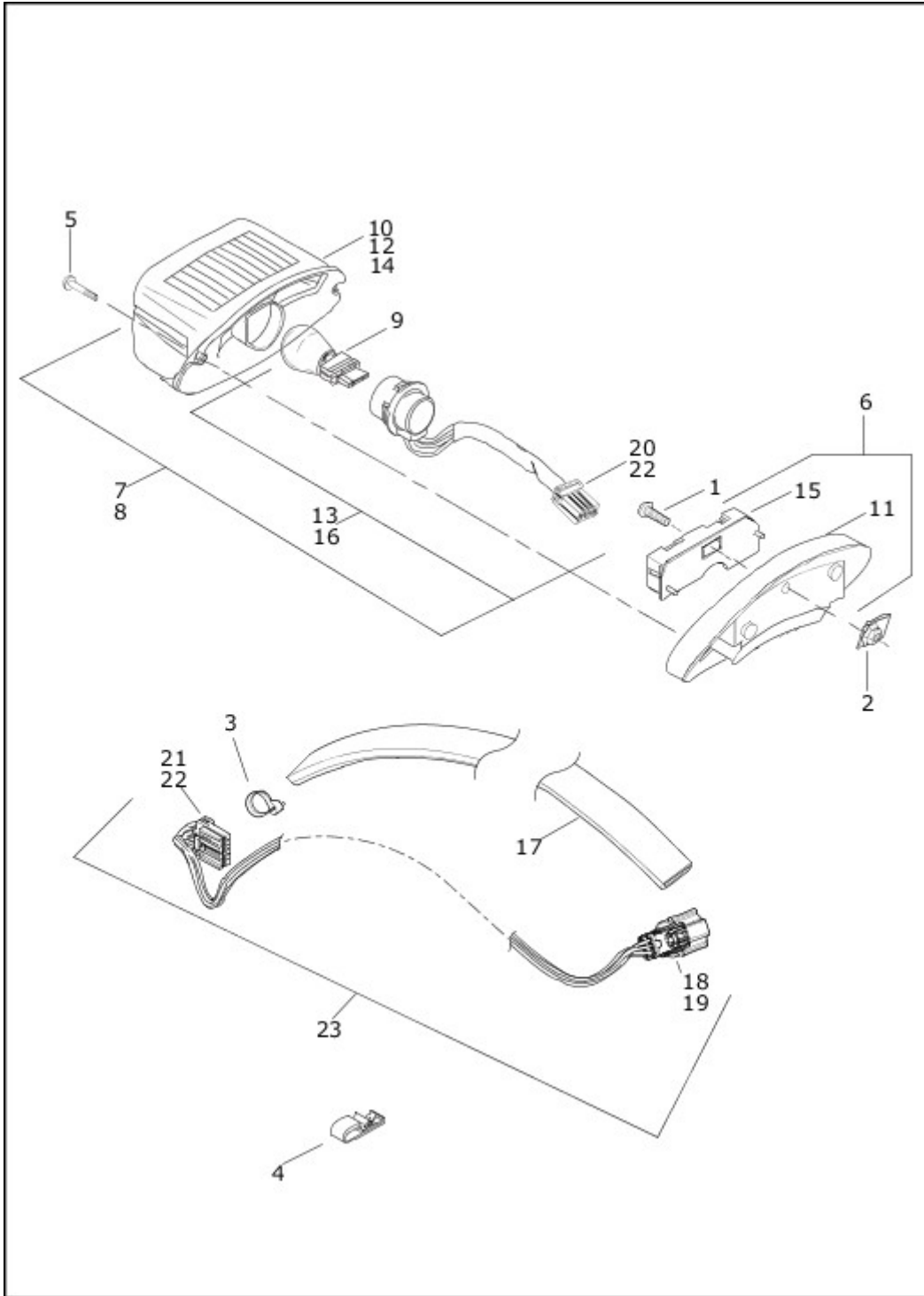
VIEW INTERACTIVE IMAGE

[View interactive table](#)

INDEX NO.	PART NO.	DESCRIPTION	MODEL(S)
1	3022A	SCREW	FLH, FLHR, FLHT, FLHTK, FLHTK SHRINE, FLTRK
1	3022A	SCREW (Canada only)	FLHRXS, FLHX, FLHXS, FLTRX, FLTRXS
2	7964	J-NUT	FLH, FLHR, FLHT, FLHTK, FLHTK SHRINE, FLTRK

INDEX NO.	PART NO.	DESCRIPTION	MODEL(S)
2	7964	J-NUT (Canada only)	FLHRXS, FLHX, FLHXS, FLTRX, FLTRXS
3	10006	CABLE STRAP	FLH, FLHR, FLHTK, FLHTK SHRINE, FLTRK
4	10183	CLIP, T-stud (2)	FLH, FLHRXS, FLHT, FLHTK, FLHTK SHRINE, FLHX, FLHXS, FLTRK, FLTRX, FLTRXS
5	68026-99	SCREW (2)	FLH, FLHR, FLHT, FLHTK, FLHTK SHRINE, FLTRK
5	68026-99	SCREW (Canada only) (2)	FLHRXS, FLHX, FLHXS, FLTRX, FLTRXS
6	68066-99A	TAIL LAMP BASE, with 68296-99A and 68830-99A (chrome)	FLH, FLHR, FLHT, FLHTK, FLHTK SHRINE, FLTRK
6	67800847	TAIL LAMP BASE, with 68830-99A (black)	FLHTK, FLHTK SHRINE, FLTRK
6	68066-99A	TAIL LAMP BASE, with 68296-99A and 68830-99A (Canada only) (chrome)	FLHX, FLTRX
6	67800847	TAIL LIGHT BASE (black) (Canada only)	FLHRXS, FLHXS, FLTRXS
7	68140-04	LAMP ASSEMBLY, tail lamp, with 68369-03 and 68370-03A (Domestic)	FLHTK, FLHTK SHRINE, FLTRK
8	68142-04	LAMP ASSEMBLY, tail lamp, with 68558-03 and 69187-03A (HDI)	FLH, FLHR, FLHT, FLHTK, FLHTK SHRINE, FLTRK
9	68167-04	BULB, tail lamp, wedge mount	FLHR, FLHT, FLHTK, FLHTK SHRINE, FLTRK
9	68167-04	BULB, tail lamp, wedge mount (Canada only)	FLH, FLHRXS, FLHX, FLHXS, FLTRX, FLTRXS
10	68245-03	LENS, tail lamp (red), with 68026-99 (Domestic)	FLH, FLHR, FLHT
10	68245-03	LENS, tail lamp (red), with 68026-99 (Canada only)	FLHRXS, FLHX, FLHXS, FLTRX, FLTRXS
11	68296-99A	TAIL LIGHT BASE (chrome)	FLH, FLHR, FLHT, FLHTK, FLHTK SHRINE, FLTRK
11	68296-99A	TAIL LIGHT BASE (chrome) (Canada only)	FLHRXS, FLHX, FLTRX
12	68369-03	LENS, tail lamp, with 68026-99	FLHTK, FLHTK SHRINE, FLTRK

TAIL LAMP (2 OF 2)



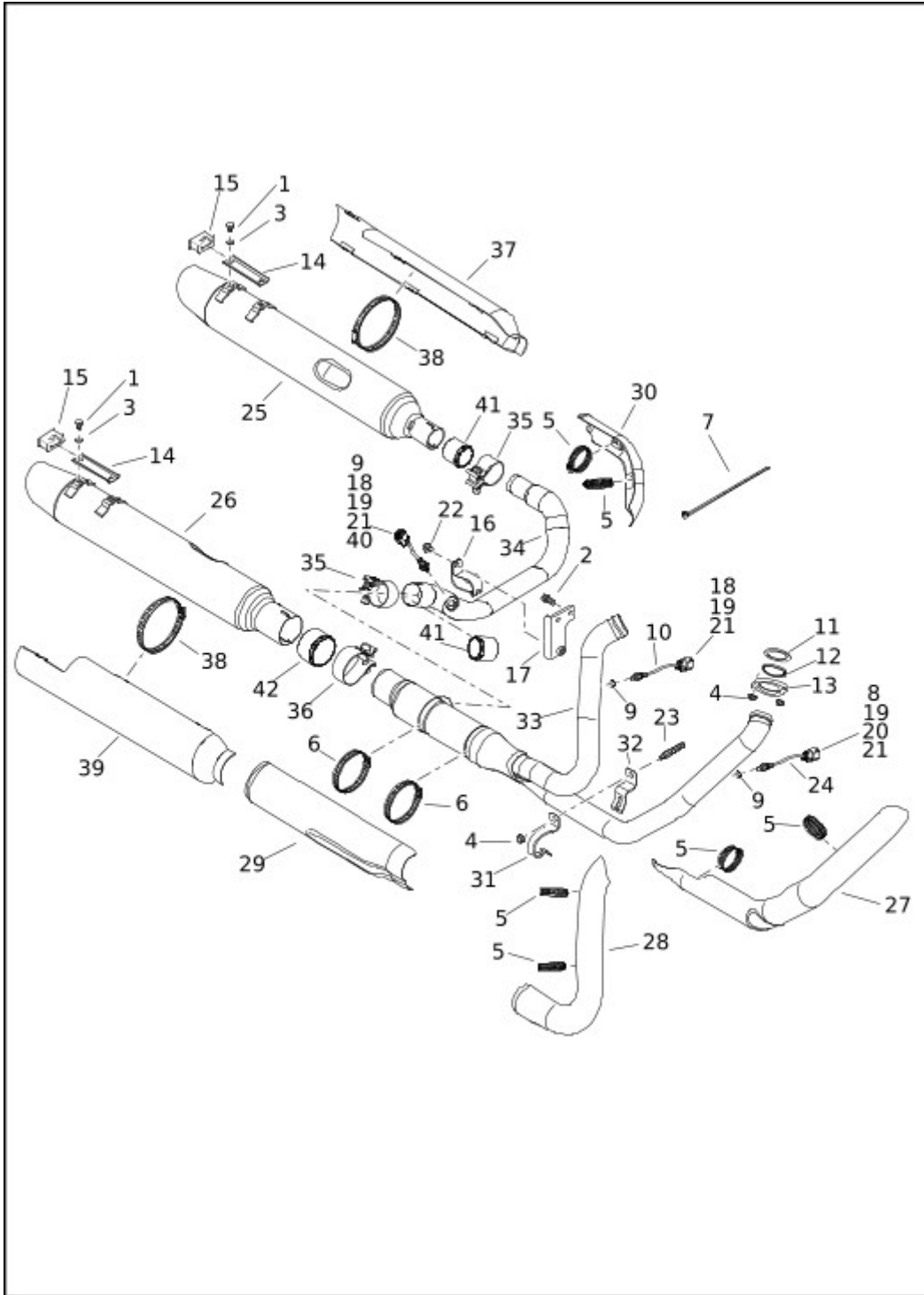
VIEW INTERACTIVE IMAGE

[View interactive table](#)

INDEX NO.	PART NO.	DESCRIPTION	MODEL(S)
13	68370-03A	SOCKET ASSEMBLY, tail lamp, with 68167-04, 73154-96BK and 73191-96 (Domestic)	FLH, FLHR, FLHT
13	68370-03A	SOCKET ASSEMBLY, tail lamp, with 68167-04, 73154-96BK and 73191-96	FLHTK, FLHTK SHRINE, FLTRK

INDEX NO.	PART NO.	DESCRIPTION	MODEL(S)
13	68370-03A	SOCKET ASSEMBLY, tail lamp, with 68167-04, 73154-96BK and 73191-96 (Canada only)	FLHRXS, FLHX, FLHXS, FLTRX, FLTRXS
14	68558-03	LENS, tail lamp, with 68026-99 (HDI)	FLH, FLHR, FLHT, FLHTK, FLHTK SHRINE, FLTRK
15	68830-99A	CIRCUIT BOARD AND COVER	FLH, FLHR, FLHT, FLHTK, FLHTK SHRINE, FLTRK
15	68830-99A	CIRCUIT BOARD AND COVER (Canada only)	FLHRXS, FLHX, FLHXS, FLTRX, FLTRXS
16	69187-03A	BULB SOCKET ASSEMBLY, tail lamp, with 68167-04, 73154-96BK and 73191-96 (HDI)	FLH, FLHR, FLHT, FLHTK, FLHTK SHRINE, FLTRK
17	70522-06B	CONDUIT, self-adhesive	FLH, FLHR, FLHT, FLHTK, FLHTK SHRINE, FLTRK
18	72168-07	TERMINAL, socket, 18-20 AWG (6)	FLH, FLHR, FLHT, FLHTK, FLHTK SHRINE, FLTRK
19	72414-07BK	HOUSING, six-way socket (black)	FLH, FLHR, FLHT, FLHTK, FLHTK SHRINE, FLTRK
20	73154-96BK	SOCKET HOUSING, four-way	ALL
21	73156-96BK	SOCKET HOUSING, six-way	FLH, FLHR, FLHT, FLHTK, FLHTK SHRINE, FLTRK
22	73191-96	TERMINAL, socket, 16-20 AWG (3)	FLHRXS, FLHX, FLHXS, FLTRX, FLTRXS
22	73191-96	TERMINAL, socket, 16-20 AWG (9)	FLH, FLHR, FLHT, FLHTK, FLHTK SHRINE, FLTRK
23	69200128	HARNESS, rear lamps, with 10006, 70522-06B, 72168-07, 72414-07BK, 73156-96BK and 73191-96	FLH, FLHR, FLHT, FLHTK, FLHTK SHRINE, FLTRK

EXHAUST SYSTEM (1 OF 2)



VIEW INTERACTIVE IMAGE

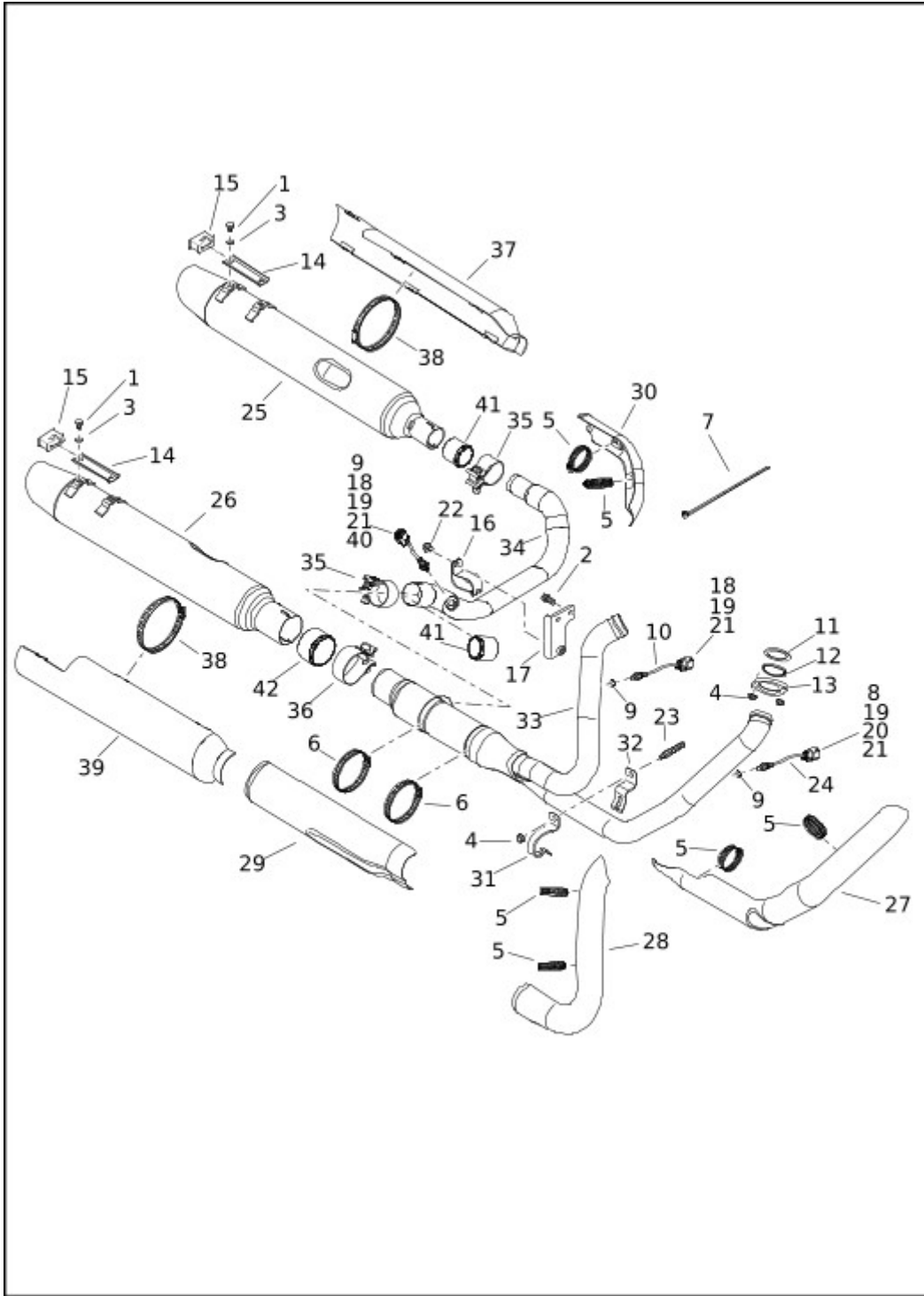
[View interactive table](#)

INDEX NO.	PART NO.	DESCRIPTION	MODEL(S)
1	3929	SCREW (4)	ALL
2	4705	SCREW (2)	ALL
3	7041	LOCKWASHER (4)	ALL

INDEX NO.	PART NO.	DESCRIPTION	MODEL(S)
4	7593	NUT (5)	ALL
5	9955	CLAMP, worm drive #24 (6)	ALL
6	9956	CLAMP, worm drive #40 (2)	ALL
7	10039	CABLE STRAP	ALL
8	10177	CABLE STRAP, anchored	ALL
9	11936	GASKET, oxygen (O2) sensor (2)	ALL
10	32700116	SENSOR, oxygen (O2), rear, with 11936, 72177-07BK, 72344-10 and 73307-10	ALL
11	65324-83B	GASKET, exhaust port (2)	ALL
12	65325-83A	RETAINING RING, exhaust gasket (2)	ALL
13	65328-83A	CLAMP, exhaust manifold (2)	ALL
14	65723-85	MOUNTING BRACKET (2)	ALL
15	65724-85A	MOUNT, rubber (2)	ALL
16	66861-09B	CLAMP, exhaust pipe, hinged	ALL
17	66881-09	BRACKET, exhaust pipe hanger	ALL
18	72177-07BK	HOUSING, four-way socket (black)	ALL
19	72344-10	TERMINAL, socket, 22 AWG (gold) (4)	ALL
20	72444-07GY	HOUSING, four-way, socket (gray)	ALL
21	73307-10	TERMINAL, socket, 22 AWG (4)	ALL
22	10200569	SCREW	ALL
23	10900015A	STUD, exhaust	ALL
24	32700130	SENSOR, oxygen (O2), front, with 10177, 11936, 72344-10, 72444-07GY and 73307-10	ALL
25	64900235B	MUFFLER (left) (chrome) (Domestic, Canada, California)	FLH, FLHR, FLHT, FLHTK, FLHTK SHRINE, FLHX, FLHXS, FLTRK, FLTRX, FLTRXS
25	64900239A	MUFFLER (left) (chrome) (Australia, ASEAN, HD3)	FLH, FLHR, FLHT, FLHTK, FLHXS, FLTRXS
25	64900237A	MUFFLER (left) (chrome) (Brazil)	FLHTK, FLTRK
25	64900815A	MUFFLER (left) (chrome) (Asia-Pacific, China)	FLHTK, FLHXS, FLTRK, FLTRXS
25	64900953	MUFFLER (left) (chrome) (EN2, HDI, HD4, Japan)	FLH, FLHR, FLHT, FLHTK, FLHXS, FLTRK, FLTRXS

INDEX NO.	PART NO.	DESCRIPTION	MODEL(S)
25	64900765B	MUFFLER (left) (black) (Domestic, Canada, California)	FLHRXS, FLHTK, FLHXS, FLTRK, FLTRXS
25	64900769A	MUFFLER (left) (black) (Australia, ASEAN, HD3)	FLHRXS, FLHTK, FLHXS, FLTRXS
25	64900767A	MUFFLER (left) (black) (Brazil)	FLHRXS, FLHTK, FLHXS, FLTRK, FLTRXS
25	64900817A	MUFFLER (left) (black) (Asia-Pacific, China)	FLHRXS, FLHTK, FLHXS, FLTRK, FLTRXS
25	64900955	MUFFLER (left) (black) (EN2, HDI, HD4, Japan, IN2)	FLHRXS, FLHTK, FLHXS, FLTRK, FLTRXS
26	64900236A	MUFFLER (right) (chrome) (Domestic, Canada, California)	FLH, FLHR, FLHT, FLHTK, FLHTK SHRINE, FLHX, FLHXS, FLTRK, FLTRX, FLTRXS
26	64900240	MUFFLER (right) (chrome) (Australia, ASEAN, HD3)	FLH, FLHR, FLHT, FLHTK, FLHXS, FLTRXS
26	64900238	MUFFLER (right) (chrome) (Brazil)	FLHTK, FLTRK
26	64900814	MUFFLER (right) (chrome) (Asia-Pacific, China)	FLHTK, FLHXS, FLTRK, FLTRXS
26	64900952	MUFFLER (right) (chrome) (EN2, HDI, HD4, Japan)	FLH, FLHR, FLHT, FLHTK, FLHXS, FLTRK, FLTRXS
26	64900766A	MUFFLER (right) (black) (Domestic, Canada, California)	FLHRXS, FLHTK, FLHXS, FLTRK, FLTRXS
26	64900770	MUFFLER (right) (black) (Australia, ASEAN, HD3)	FLHRXS, FLHTK, FLHXS, FLTRXS

EXHAUST SYSTEM (2 OF 2)



VIEW INTERACTIVE IMAGE

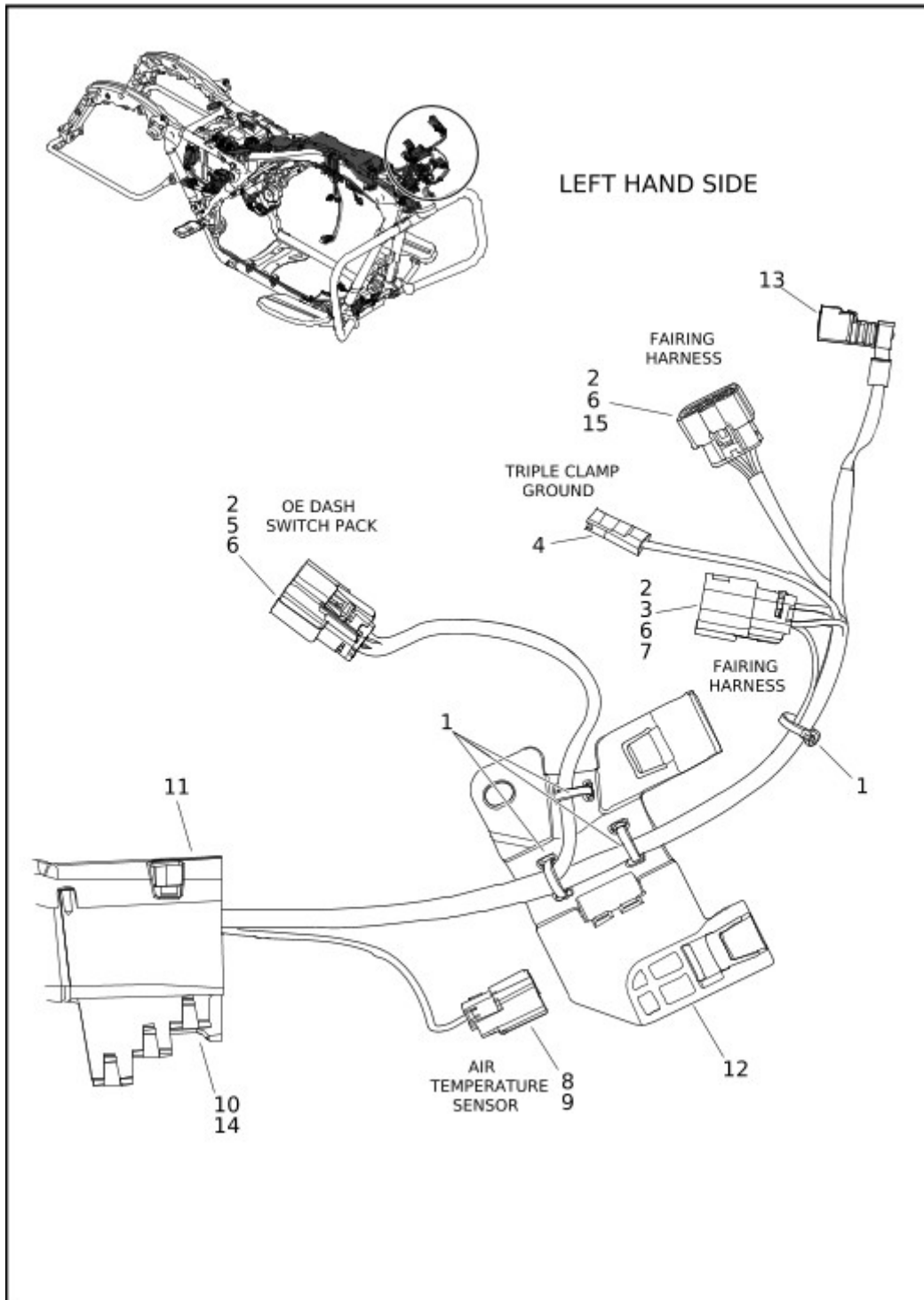
[View interactive table](#)

INDEX NO.	PART NO.	DESCRIPTION	MODEL(S)
26	64900768	MUFFLER (right) (black) (Brazil)	FLHRXS, FLHTK, FLHXS, FLTRK, FLTRXS
26	64900816	MUFFLER (right) (black) (Asia-Pacific, China)	FLHRXS, FLHTK, FLHXS, FLTRK, FLTRXS
26	64900954	MUFFLER (right) (black) (EN2, HDI, HD4, Japan, IN2)	FLHRXS, FLHTK, FLHXS, FLTRK, FLTRXS

INDEX NO.	PART NO.	DESCRIPTION	MODEL(S)
27	65400176A	SHIELD, exhaust pipe, front (chrome)	FLH, FLHR, FLHT, FLHTK, FLHTK SHRINE, FLHX, FLHXS, FLTRK, FLTRX, FLTRXS
27	65400483A	SHIELD, exhaust pipe, front (black)	FLHRXS, FLHTK, FLHTK SHRINE, FLHXS, FLTRK, FLTRXS
28	65400177	EXHAUST SHIELD ASSEMBLY, rear header pipe (chrome)	FLH, FLHR, FLHT, FLHTK, FLHTK SHRINE, FLHX, FLHXS, FLTRK, FLTRX, FLTRXS
28	65400484	EXHAUST SHIELD ASSEMBLY, rear header pipe (black)	FLHRXS, FLHTK, FLHTK SHRINE, FLHXS, FLTRK, FLTRXS
29	65400178	EXHAUST SHIELD ASSEMBLY, catalytic converter (chrome)	FLH, FLHR, FLHT, FLHTK, FLHTK SHRINE, FLHX, FLHXS, FLTRK, FLTRX, FLTRXS
29	65400485	EXHAUST SHIELD ASSEMBLY, catalytic converter (black)	FLHRXS, FLHTK, FLHTK SHRINE, FLHXS, FLTRK, FLTRXS
30	65400179	SHIELD, left exhaust pipe, rear (chrome)	FLH, FLHR, FLHT, FLHTK, FLHTK SHRINE, FLHX, FLHXS, FLTRK, FLTRX, FLTRXS
30	65400486	SHIELD, left exhaust pipe, rear (black)	FLHRXS, FLHTK, FLHTK SHRINE, FLHXS, FLTRK, FLTRXS
31	65500042	BRACKET, muffler strap, male	ALL
32	65500043A	BRACKET, muffler strap, female	ALL
33	65600176	HEADER ASSEMBLY, catalytic (Domestic, Canada, California) (chrome)	FLH, FLHR, FLHRXS, FLHT, FLHTK, FLHTK SHRINE, FLHX, FLHXS, FLTRX, FLTRXS
33	65600177	HEADER ASSEMBLY, catalytic (Australia, Asia-Pacific, Brazil, China, HD3, ASEAN) (chrome)	FLH, FLHR, FLHRXS, FLHT, FLHTK, FLHTK SHRINE, FLHX, FLHXS, FLTRX, FLTRXS
33	65600377	HEADER ASSEMBLY, catalytic (HDI, Japan, EN2, HD4, IN2) (chrome)	FLH, FLHR, FLHRXS, FLHT, FLHTK, FLHXS, FLTRK, FLTRX, FLTRXS
34	65600178A	CROSSOVER PIPE ASSEMBLY (chrome) (Domestic, Australia, Brazil, Asia-Pacific, China, HD3, ASEAN)	ALL
34	65600379	CROSSOVER PIPE ASSEMBLY (chrome) (HDI, Japan, EN2, HD4, IN2)	FLH, FLHR, FLHRXS, FLHT, FLHTK, FLHXS, FLTRK, FLTRXS
35	65296-95B	CLAMP, muffler (2)	ALL
36	65900015	CLAMP, muffler	ALL
37	65400545	SHIELD, muffler (left) (chrome) (China)	FLHR, FLHTK, FLHTK SHRINE, FLHX, FLTRX
37	65400546	SHIELD, muffler (left) (black) (China)	FLHRXS, FLHXS, FLTRXS
38	66047-05	CLAMP (China) (6)	ALL
39	65400547	SHIELD, muffler (right) (chrome) (China)	FLHR, FLHTK, FLHTK SHRINE, FLHX, FLTRX

INDEX NO.	PART NO.	DESCRIPTION	MODEL(S)
39	65400548	SHIELD, muffler (right) (black) (China)	FLHRXS, FLHXS, FLTRXS
40	32700124	SENSOR, oxygen (O2), with 9, 18, 19, 21 (HDI, Japan, EN2, HD4, IN2)	FLH, FLHR, FLHRXS, FLHT, FLHTK, FLHXS, FLTRK, FLTRXS
41	65900017	GASKET, left (HDI, Japan, EN2, HD4, IN2) (2)	FLH, FLHR, FLHRXS, FLHT, FLHTK, FLHXS, FLTRK, FLTRXS
42	65900056	GASKET, right (HDI, Japan, EN2, HD4, IN2)	FLH, FLHR, FLHRXS, FLHT, FLHTK, FLHXS, FLTRK, FLTRXS

WIRING HARNESS, MAIN - FLHT, FLHX, FLHXS AND FLH (1 OF 10)



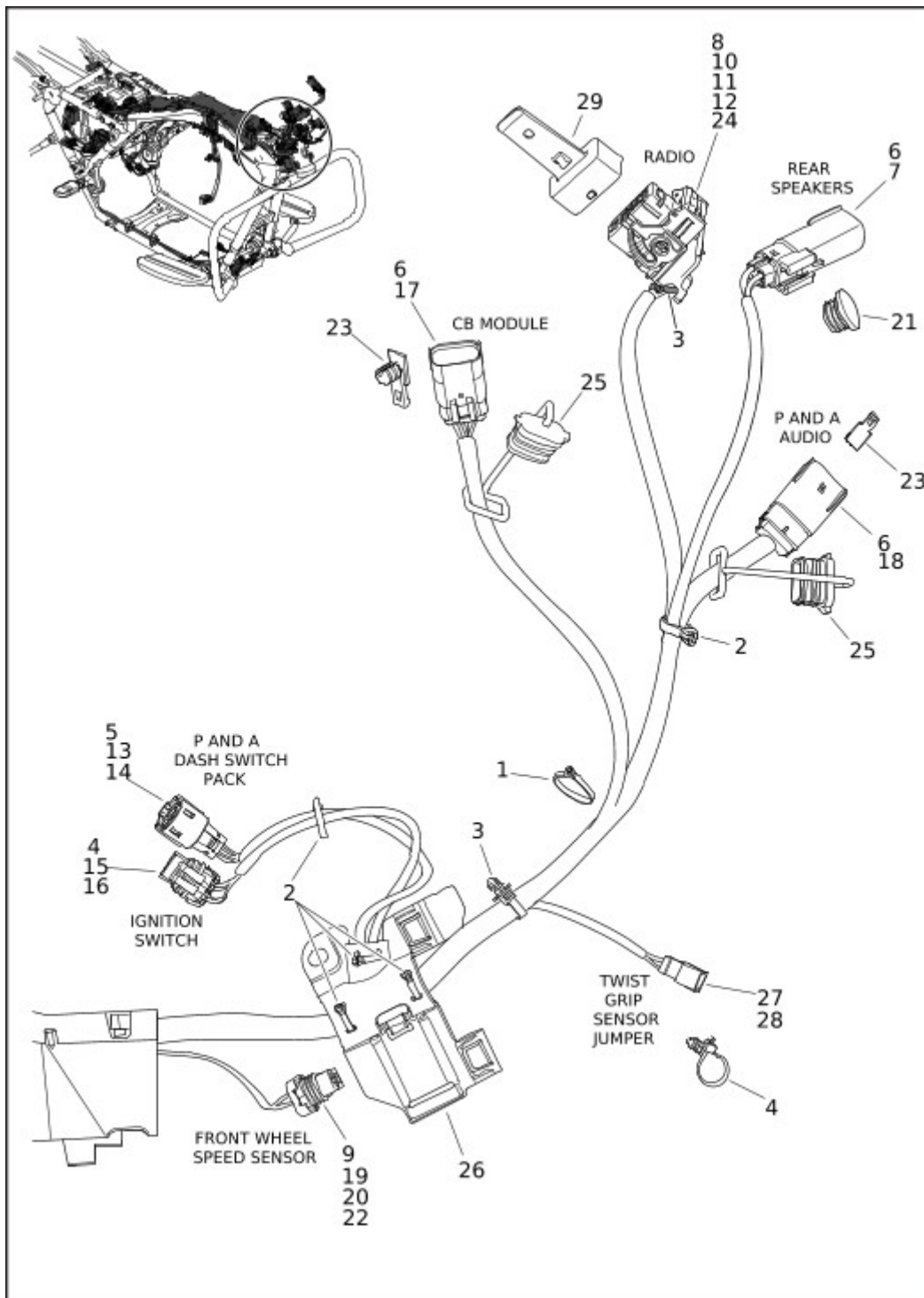
VIEW INTERACTIVE IMAGE

[View interactive table](#)

INDEX NO.	PART NO.	DESCRIPTION	MODEL(S)
	69202228	MAIN WIRING HARNESS	FLH, FLHT, FLHX, FLHXS
NOTE: Includes the following parts.			
1	10065	CABLE STRAP (4)	FLH, FLHT, FLHX, FLHXS
2	72168-07	TERMINAL, socket, 18-20 AWG (19)	FLH, FLHT, FLHX, FLHXS

INDEX NO.	PART NO.	DESCRIPTION	MODEL(S)
3	72272-07	TERMINAL, socket, 14-16 AWG (4)	FLH, FLHT, FLHX, FLHXS
4	72364-06	TERMINAL, insulated	FLH, FLHT, FLHX, FLHXS
5	72414-07BK	HOUSING, six-way socket (black)	FLH, FLHT, FLHX, FLHXS
6	72473-07	SEAL PIN (11)	FLH, FLHT, FLHX, FLHXS
7	72489-07GY	HOUSING, 12-way socket (gray)	FLH, FLHT, FLHX, FLHXS
8	72721-07	TERMINAL, socket, 18-20 AWG (2)	FLH, FLHT, FLHX, FLHXS
9	69200201	HOUSING, two-way socket (black)	FLH, FLHT, FLHX, FLHXS
10	69202720	WIRE TROUGH, with 69202637	FLH, FLHT, FLHX, FLHXS
11	69202636	COVER, wire trough	FLH, FLHT, FLHX, FLHXS
12	69200214	CADDY, left steer head	FLH, FLHT, FLHX, FLHXS
13	69200294	WIRE HARNESS, AM/FM antenna	FLH, FLHT, FLHX, FLHXS
14	69202637	CLIP (2)	FLH, FLHT, FLHX, FLHXS
15	72166-07BK	HOUSING, 16-way socket (black)	FLH, FLHT, FLHX, FLHXS

WIRING HARNESS, MAIN - FLHT, FLHX, FLHXS AND FLH (2 OF 10)



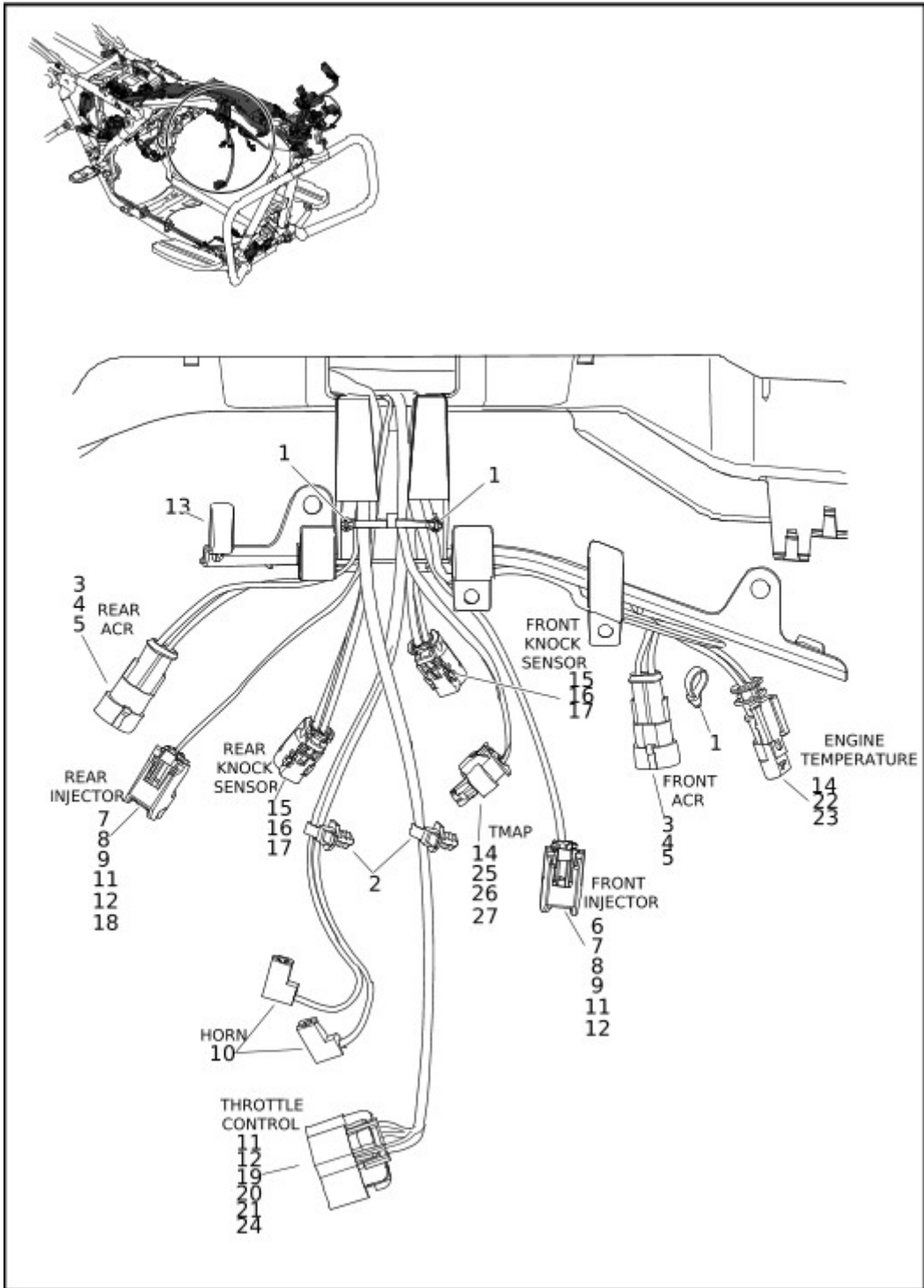
VIEW INTERACTIVE IMAGE

[View interactive table](#)

INDEX NO.	PART NO.	DESCRIPTION	MODEL(S)
	69202228	MAIN WIRING HARNESS	FLH, FLHT, FLHX, FLHXS
NOTE: Includes the following parts.			
1	10006	CABLE STRAP (2)	FLH, FLHT, FLHX, FLHXS
2	10065	CABLE STRAP (6)	FLH, FLHT, FLHX, FLHXS

INDEX NO.	PART NO.	DESCRIPTION	MODEL(S)
3	10177	CABLE STRAP, anchored (2)	FLH, FLHT, FLHX, FLHXS
4	72062-06	HOUSING, two-way socket (gray)	FLH, FLHT, FLHX, FLHXS
5	72168-07	TERMINAL, socket, 18-20 AWG (4)	FLH, FLHT, FLHX, FLHXS
6	72169-07	TERMINAL, pin, 16-20 AWG (28)	FLH, FLHT, FLHX, FLHXS
7	72175-07BK	HOUSING, four-way pin (black)	FLH, FLHT, FLHX, FLHXS
8	72209-11	COVER, wire dress	FLH, FLHT, FLHX, FLHXS
9	72213-94	TERMINAL, socket, 16-20 AWG (2)	FLH, FLHT, FLHX, FLHXS
10	72222-11	TERMINAL, socket, 18-20 AWG (26)	FLH, FLHT, FLHX, FLHXS
11	72226-11	TERMINAL, socket, 14-16 AWG (8)	FLH, FLHT, FLHX, FLHXS
12	72256-11	SEAL PIN (14)	FLH, FLHT, FLHX, FLHXS
13	72414-07BK	HOUSING, six-way socket (black)	FLH, FLHT, FLHX, FLHXS
14	72473-07	SEAL PIN (2)	FLH, FLHT, FLHX, FLHXS
15	72484-08	TERMINAL, socket, 20 AWG (2)	FLH, FLHT, FLHX, FLHXS
16	72486-08	WIRE SEAL, 20 AWG (green) (2)	FLH, FLHT, FLHX, FLHXS
17	72488-07BK	HOUSING, 12-way pin (black)	FLH, FLHT, FLHX, FLHXS
18	72490-07GY	HOUSING, 12-way pin (gray)	FLH, FLHT, FLHX, FLHXS
19	72606-08	HOUSING, two-way socket (black)	FLH, FLHT, FLHX, FLHXS
20	72610-08	WIRE SEAL, 18-20 AWG (white) (2)	FLH, FLHT, FLHX, FLHXS
21	72632-10	PLUG, weather, four-way pin	FLH, FLHT, FLHX, FLHXS
22	72639-10	SECONDARY LOCK, two-way socket	FLH, FLHT, FLHX, FLHXS
23	73213-07	RETAINER, anchored (3)	FLH, FLHT, FLHX, FLHXS
24	69200193	HOUSING, 48-way socket (black)	FLH, FLHT, FLHX, FLHXS
25	69200205	PLUG, weather, 12-way pin (2)	FLH, FLHT, FLHX, FLHXS
26	69203026	CADDY, right steer head	FLH, FLHT, FLHX, FLHXS
27	69201163	HOUSING, six-way pin (black)	FLH, FLHT, FLHX, FLHXS
28	69201164	TERMINAL, pin, 22 AWG (6)	FLH, FLHT, FLHX, FLHXS
29	69202354	PLUG, weather	FLHT

WIRING HARNESS, MAIN - FLHT, FLHX, FLHXS AND FLH (3 OF 10)



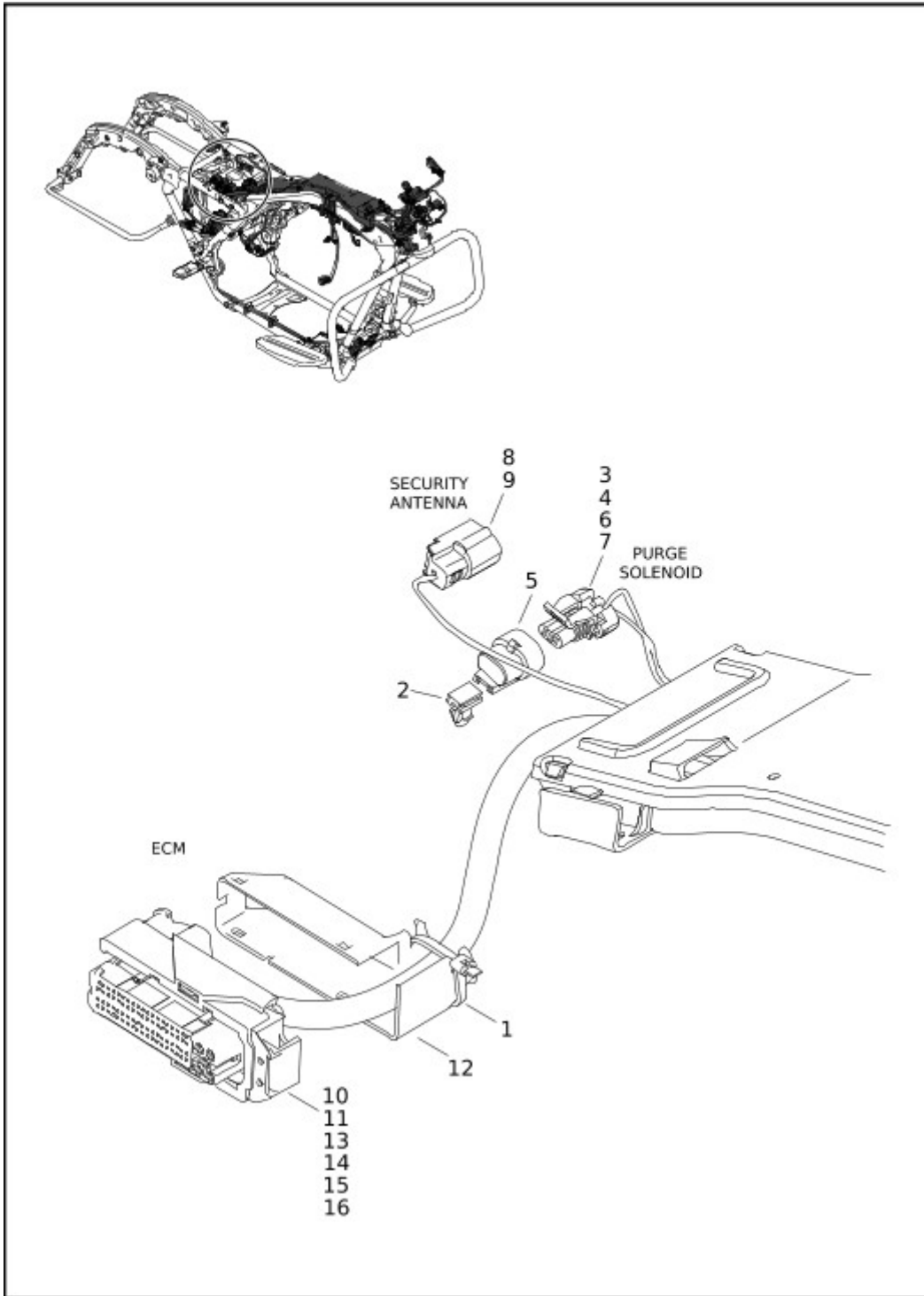
VIEW INTERACTIVE IMAGE

[View interactive table](#)

INDEX NO.	PART NO.	DESCRIPTION	MODEL(S)
	69202228	MAIN WIRING HARNESS	FLH, FLHT, FLHX, FLHXS
NOTE: Includes the following parts.			
1	10065	CABLE STRAP (3)	FLH, FLHT, FLHX, FLHXS
2	10177	CABLE STRAP, anchored (2)	FLH, FLHT, FLHX, FLHXS

INDEX NO.	PART NO.	DESCRIPTION	MODEL(S)
3	72008-05	TERMINAL, pin, 20-22 AWG (4)	FLH, FLHT, FLHX, FLHXS
4	72009-05	HOUSING, two-way pin (black) (2)	FLH, FLHT, FLHX, FLHXS
5	72010-05	WIRE SEAL, 22-26 AWG (green) (4)	FLH, FLHT, FLHX, FLHXS
6	72098-06	HOUSING, two-way socket (gray)	FLH, FLHT, FLHX, FLHXS
7	72099-06	WIRE SEAL, 16-18 AWG (blue) (2)	FLH, FLHT, FLHX, FLHXS
8	72110-06	TERMINAL, socket, 16-18 AWG (2)	FLH, FLHT, FLHX, FLHXS
9	72145-06	SECONDARY LOCK, two-way socket (2)	FLH, FLHT, FLHX, FLHXS
10	72283-09	TERMINAL, socket, 14-16 AWG, 90 degree (2)	FLH, FLHT, FLHX, FLHXS
11	72499-07	WIRE SEAL, 20-22 AWG (green) (8)	FLH, FLHT, FLHX, FLHXS
12	72569-08	TERMINAL, socket, 20-22 AWG (4)	FLH, FLHT, FLHX, FLHXS
13	69201287	BRACKET, mounting	FLH, FLHT, FLHX, FLHXS
14	69201301	WIRE SEAL, 20-22 AWG (green) (6)	FLH, FLHT, FLHX, FLHXS
15	69201390	HOUSING, two-way socket (black) (2)	FLH, FLHT, FLHX, FLHXS
16	69201391	TERMINAL, socket, 20 AWG (4)	FLH, FLHT, FLHX, FLHXS
17	69201392	WIRE SEAL, 20 AWG (yellow) (4)	FLH, FLHT, FLHX, FLHXS
18	69201393	HOUSING, two-way socket (black)	FLH, FLHT, FLHX, FLHXS
19	69201394	HOUSING, six-way socket (black)	FLH, FLHT, FLHX, FLHXS
20	69201395	SECONDARY LOCK, six-way socket	FLH, FLHT, FLHX, FLHXS
21	69201396	TERMINAL, socket, 20 AWG (4)	FLH, FLHT, FLHX, FLHXS
22	69201397	HOUSING, two-way pin (gray)	FLH, FLHT, FLHX, FLHXS
23	69201398	TERMINAL, pin, 20 AWG (2)	FLH, FLHT, FLHX, FLHXS
24	69201416	SECONDARY LOCK, 6-way socket	FLH, FLHT, FLHX, FLHXS
25	69201441	HOUSING, four-way socket	FLH, FLHT, FLHX, FLHXS
26	69201442	TERMINAL, socket, 18 AWG (2)	FLH, FLHT, FLHX, FLHXS
27	69201407	TERMINAL, socket, 20 AWG (2)	FLH, FLHT, FLHX, FLHXS

WIRING HARNESS, MAIN - FLHT, FLHX, FLHXS AND FLH (4 OF 10)



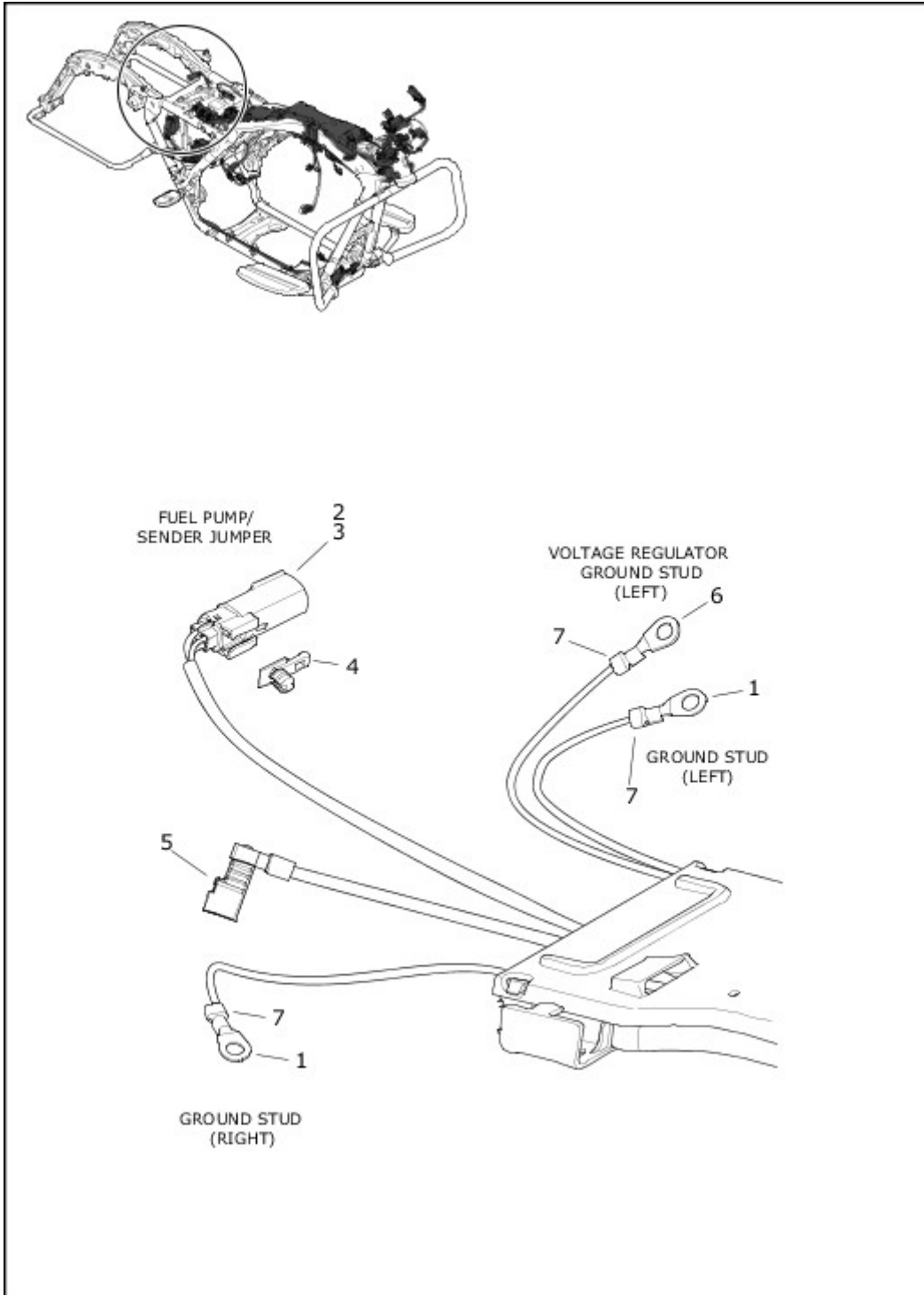
VIEW INTERACTIVE IMAGE

[View interactive table](#)

INDEX NO.	PART NO.	DESCRIPTION	MODEL(S)
	69202228	MAIN WIRING HARNESS	FLH, FLHT, FLHX, FLHXS
NOTE: Includes the following parts.			
1	10065	CABLE STRAP	FLH, FLHT, FLHX, FLHXS
2	10147	CLIP, connector	FLH, FLHT, FLHX, FLHXS

INDEX NO.	PART NO.	DESCRIPTION	MODEL(S)
3	72213-94	TERMINAL, socket, 16-20 AWG (2)	FLH, FLHT, FLHX, FLHXS
4	72518-01	HOUSING, two-way socket (red)	FLH, FLHT, FLHX, FLHXS
5	72533-06	DUST CAP, two-way connector	FLH, FLHT, FLHX, FLHXS
6	72609-08	SECONDARY LOCK, two-way socket (black)	FLH, FLHT, FLHX, FLHXS
7	72610-08	WIRE SEAL, 18-20 AWG (white) (2)	FLH, FLHT, FLHX, FLHXS
8	72720-07	HOUSING, two-way socket (black)	FLH, FLHT, FLHX, FLHXS
9	72721-07	TERMINAL, socket, 18-20 AWG (2)	FLH, FLHT, FLHX, FLHXS
10	69202322	HOUSING, 81-way socket	FLH, FLHT, FLHX, FLHXS
11	69202032	SECONDARY LOCK	FLH, FLHT, FLHX, FLHXS
12	69202323	COVER	FLH, FLHT, FLHX, FLHXS
13	69201890	TERMINAL, socket (4)	FLH, FLHT, FLHX, FLHXS
14	69202453	TERMINAL, pin (42)	FLH, FLHT, FLHX, FLHXS
15	69202028	TERMINAL, pin (35)	FLH, FLHT, FLHX, FLHXS
16	69202031	WIRE SEAL, 2.0-2.7 mm (red/brown) (4)	FLH, FLHT, FLHX, FLHXS

WIRING HARNESS, MAIN - FLHT, FLHX, FLHXS AND FLH (5 OF 10)



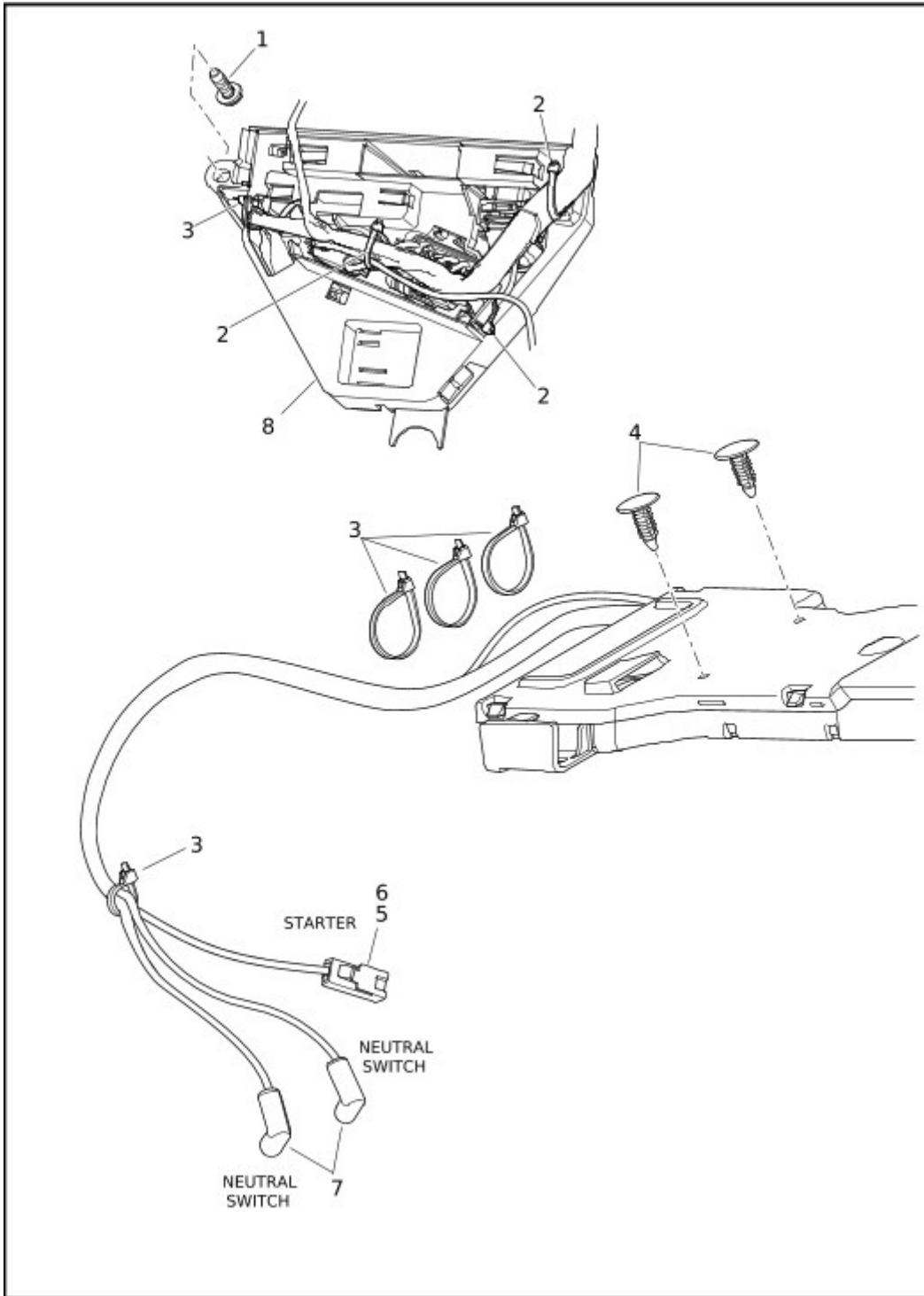
VIEW INTERACTIVE IMAGE

View interactive table

INDEX NO.	PART NO.	DESCRIPTION	MODEL(S)
	69202228	MAIN WIRING HARNESS	FLH, FLHT, FLHX, FLHXS
NOTE: Includes the following parts.			
1	9819	TERMINAL, 1/4 in ring, 12 AWG (2)	FLH, FLHT, FLHX, FLHXS
2	72169-07	TERMINAL, pin, 16-20 AWG (4)	FLH, FLHT, FLHX, FLHXS

INDEX NO.	PART NO.	DESCRIPTION	MODEL(S)
3	72415-07GY	HOUSING, four-way pin (gray)	FLH, FLHT, FLHX, FLHXS
4	73213-07	RETAINER, anchored	FLH, FLHT, FLHX, FLHXS
5	69200294	WIRE HARNESS, AM/FM antenna	FLH, FLHT, FLHX, FLHXS
6	69201596	TERMINAL, ring, 8-10 AWG	FLH, FLHT, FLHX, FLHXS
7	69202219	HEAT SHRINK TUBE, .415 x 1 (black)	FLH, FLHT, FLHX, FLHXS

WIRING HARNESS, MAIN - FLHT, FLHX, FLHXS AND FLH (6 OF 10)



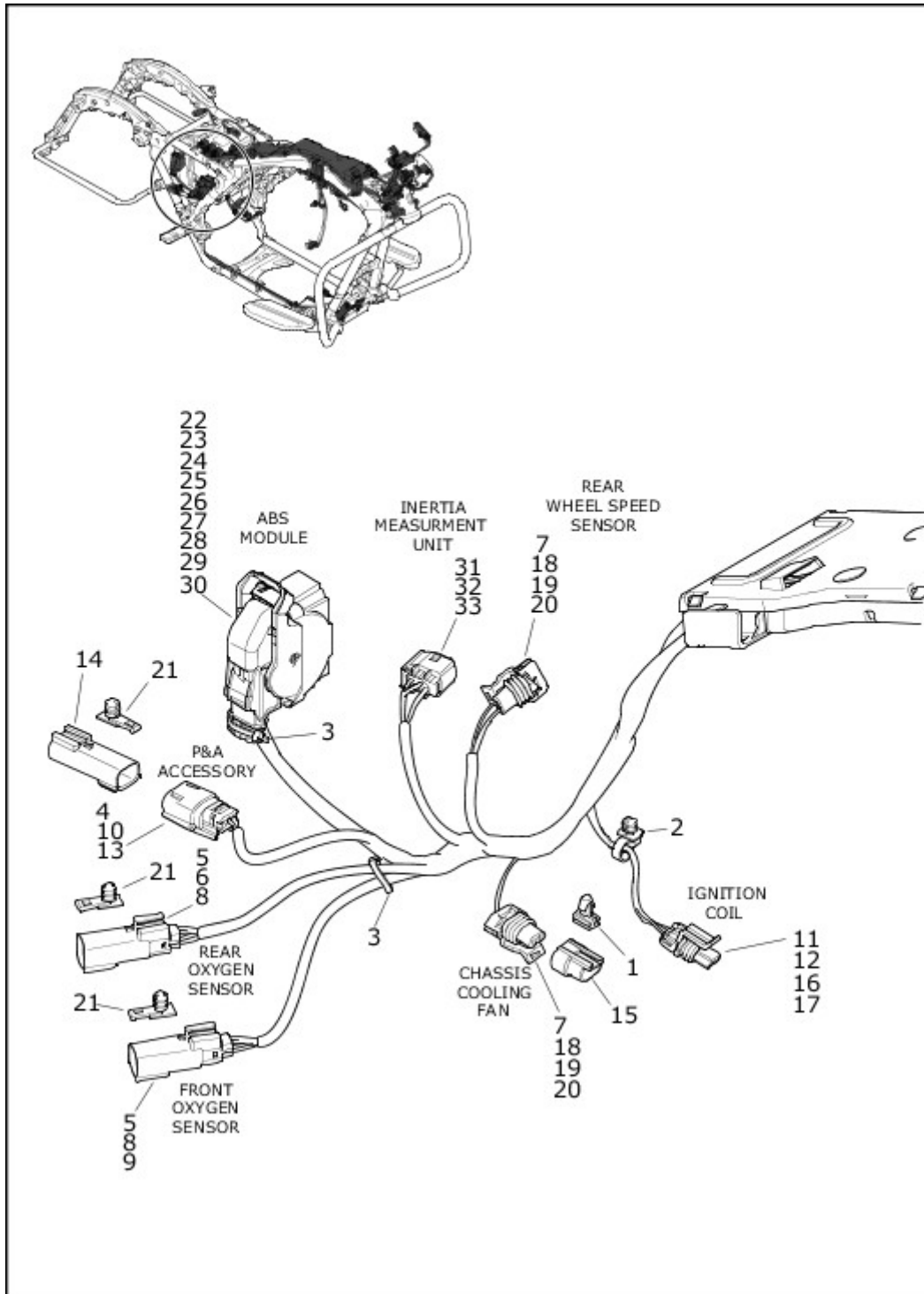
VIEW INTERACTIVE IMAGE

[View interactive table](#)

INDEX NO.	PART NO.	DESCRIPTION	MODEL(S)
1	3634	SCREW (2)	FLH, FLHT, FLHX, FLHXS
	69202228	MAIN WIRING HARNESS	FLH, FLHT, FLHX, FLHXS
NOTE: Includes the following parts.			
2	10006	CABLE STRAP (3)	FLH, FLHT, FLHX, FLHXS

INDEX NO.	PART NO.	DESCRIPTION	MODEL(S)
3	10065	CABLE STRAP (5)	FLH, FLHT, FLHX, FLHXS
4	11779	FASTENER, push-in (black) (2)	FLH, FLHT, FLHX, FLHXS
5	72291-94	TERMINAL, socket, 14-16 AWG	FLH, FLHT, FLHX, FLHXS
6	72295-94	CONNECTOR, starter housing	FLH, FLHT, FLHX, FLHXS
7	72405-98BK	WIRE ASSEMBLY, push-on, right angle molded, 65-1/2 in length (2)	FLH, FLHT, FLHX, FLHXS
8	69200175	CADDY, fuse block, electrical panel	FLH, FLHT, FLHX, FLHXS

WIRING HARNESS, MAIN - FLHT, FLHX, FLHXS AND FLH (7 OF 10)



VIEW INTERACTIVE IMAGE

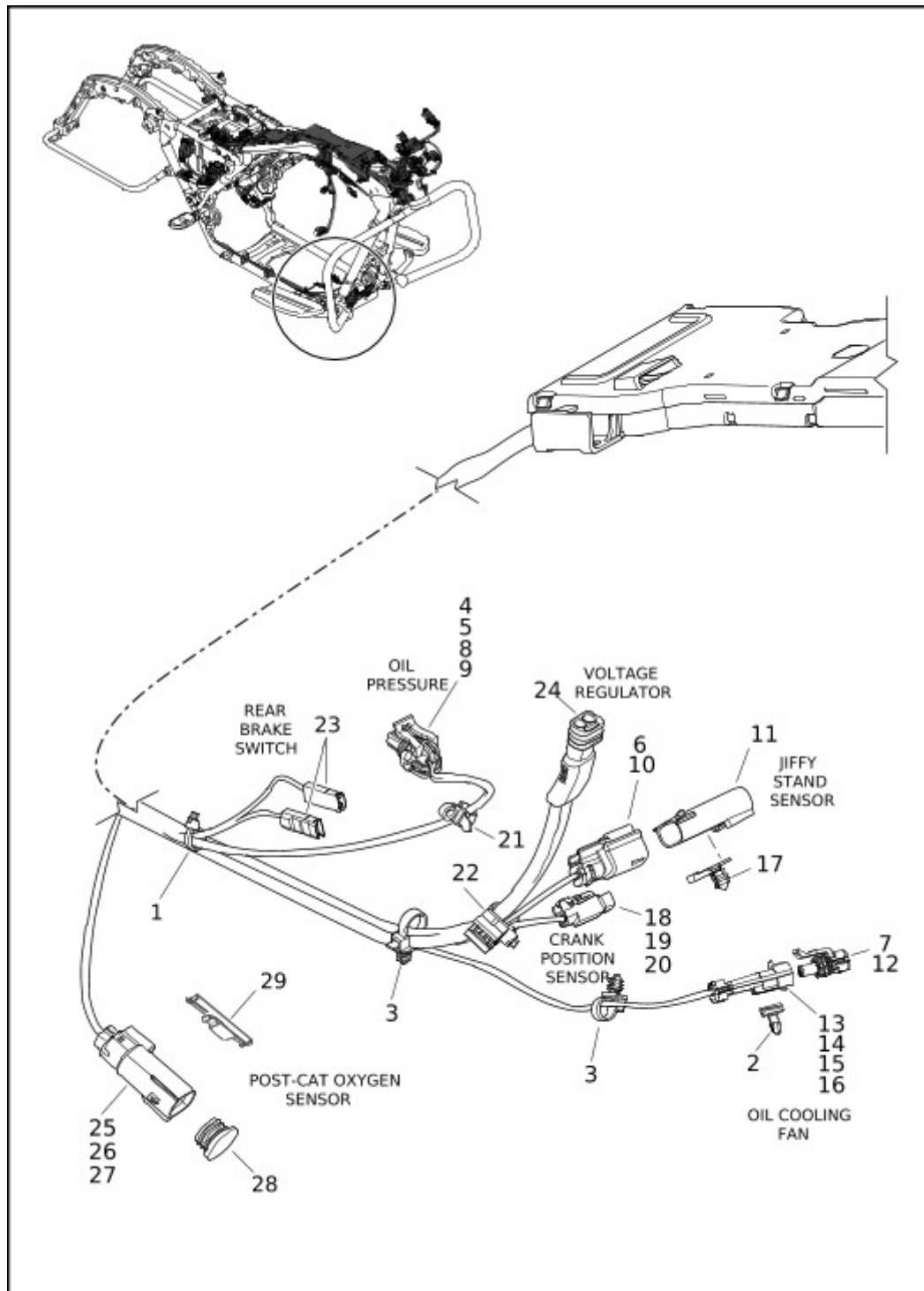
[View interactive table](#)

INDEX NO.	PART NO.	DESCRIPTION	MODEL(S)
	69202228	MAIN WIRING HARNESS	FLH, FLHT, FLHX, FLHXS
NOTE: Includes the following parts.			
1	10147	CLIP	FLH, FLHT, FLHX, FLHXS
2	10177	CABLE STRAP, anchored	FLH, FLHT, FLHX, FLHXS

INDEX NO.	PART NO.	DESCRIPTION	MODEL(S)
3	10065	CABLE STRAP (2)	FLH, FLHT, FLHX, FLHXS
4	72168-07	TERMINAL, socket, 18-20 AWG (2)	FLH, FLHT, FLHX, FLHXS
5	72169-07	TERMINAL, pin, 16-20 AWG (4)	FLH, FLHT, FLHX, FLHXS
6	72175-07BK	HOUSING, four-way pin (black)	FLH, FLHT, FLHX, FLHXS
7	72213-94	TERMINAL, socket, 16-20 AWG (4)	FLH, FLHT, FLHX, FLHXS
8	72343-10	TERMINAL, pin, 16-20 AWG (4)	FLH, FLHT, FLHX, FLHXS
9	72415-07GY	HOUSING, four-way pin (gray)	FLH, FLHT, FLHX, FLHXS
10	72473-07	SEAL PIN, natural	FLH, FLHT, FLHX, FLHXS
11	72484-08	TERMINAL, socket, 20 AWG (3)	FLH, FLHT, FLHX, FLHXS
12	72486-08	WIRE SEAL, 20 AWG (green) (3)	FLH, FLHT, FLHX, FLHXS
13	72512-07BK	HOUSING, three-way socket (black)	FLH, FLHT, FLHX, FLHXS
14	72519-09BK	DUST CAP, three-way socket (black)	FLH, FLHT, FLHX, FLHXS
15	72533-06	PLUG, weather, two-way pin	FLH, FLHT, FLHX, FLHXS
16	72544-07	SECONDARY LOCK, three-way socket	FLH, FLHT, FLHX, FLHXS
17	72589-09	HOUSING, three-way socket (black)	FLH, FLHT, FLHX, FLHXS
18	72606-08	HOUSING, two-way socket (black) (2)	FLH, FLHT, FLHX, FLHXS
19	72609-08	SECONDARY LOCK, two-way socket (2)	FLH, FLHT, FLHX, FLHXS
20	72610-08	WIRE SEAL, 18-20 AWG (white) (4)	FLH, FLHT, FLHX, FLHXS
21	73213-07	RETAINER, anchored (3)	FLH, FLHT, FLHX, FLHXS
22	69200183	HOUSING, 26-way socket	FLH, FLHT, FLHX, FLHXS
23	69200184	COVER, 26-way socket	FLH, FLHT, FLHX, FLHXS
24	69200185	TERMINAL, socket, 20 AWG (6)	FLH, FLHT, FLHX, FLHXS
25	69200186	TERMINAL, socket, 14-16 AWG (2)	FLH, FLHT, FLHX, FLHXS
26	69200187	TERMINAL, socket, 12 AWG (2)	FLH, FLHT, FLHX, FLHXS
27	69200188	WIRE SEAL, 20 AWG (gray) (6)	FLH, FLHT, FLHX, FLHXS
28	69200189	WIRE SEAL, 14-16 AWG (brown) (2)	FLH, FLHT, FLHX, FLHXS
29	69200190	WIRE SEAL, 12 AWG (blue) (2)	FLH, FLHT, FLHX, FLHXS
30	69200191	SEAL PIN (16)	FLH, FLHT, FLHX, FLHXS
31	69201301	WIRE SEAL, 20-22 AWG (green) (4)	FLH, FLHT, FLHX, FLHXS

INDEX NO.	PART NO.	DESCRIPTION	MODEL(S)
32	69201779	HOUSING, four-way (black)	FLH, FLHT, FLHX, FLHXS
33	69201814	TERMINAL, socket (4)	FLH, FLHT, FLHX, FLHXS

WIRING HARNESS, MAIN - FLHT, FLHX, FLHXS AND FLH (8 OF 10)



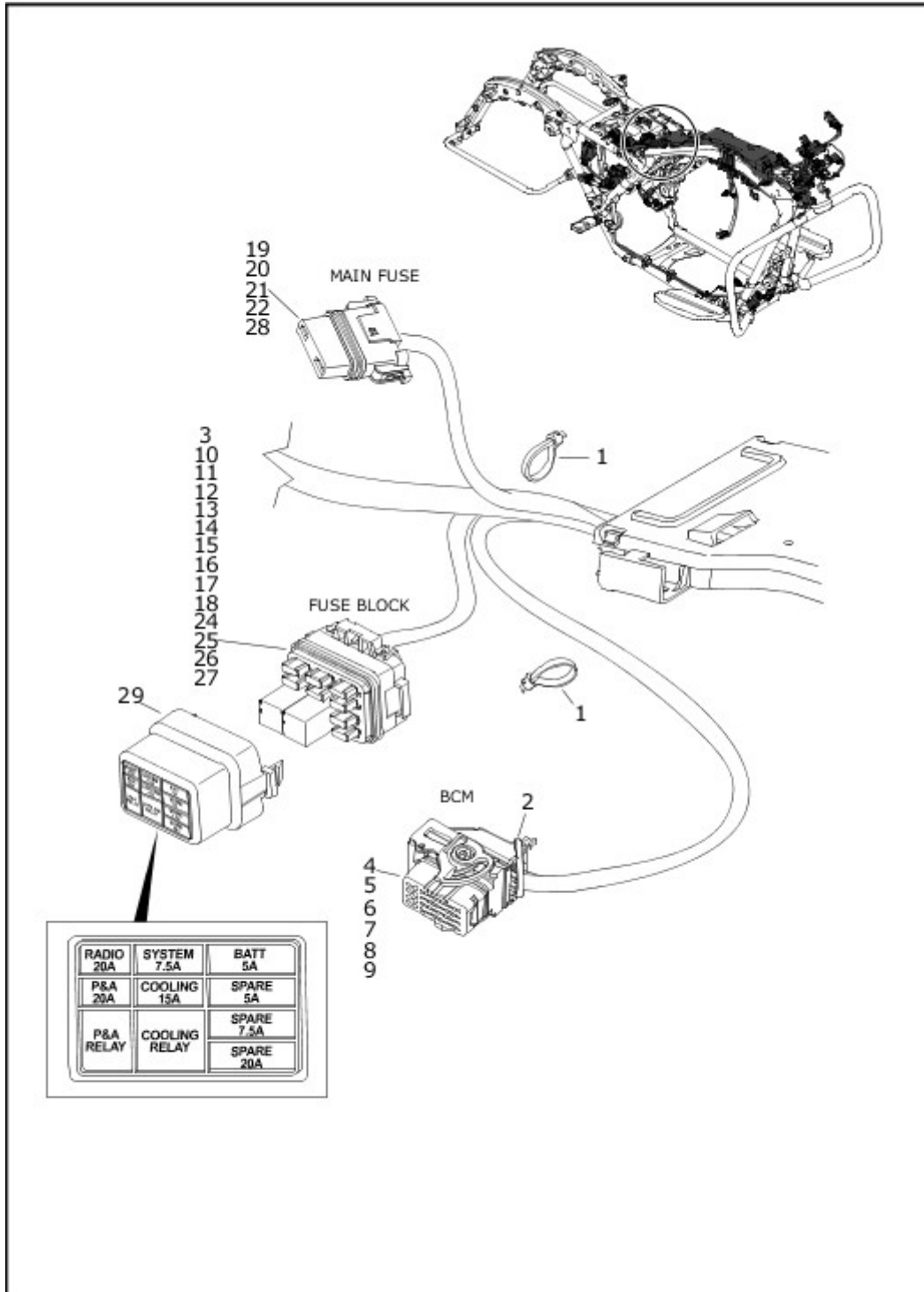
[VIEW INTERACTIVE IMAGE](#)

[View interactive table](#)

INDEX NO.	PART NO.	DESCRIPTION	MODEL(S)
	69202228	MAIN WIRING HARNESS	FLH, FLHT, FLHX, FLHXS
NOTE: Includes the following parts.			
1	10065	CABLE STRAP	FLH, FLHT, FLHX, FLHXS
2	10147	CLIP, connector	FLH, FLHT, FLHX, FLHXS
3	10177	CABLE STRAP, anchored (2)	FLH, FLHT, FLHX, FLHXS
4	72065-06A	HOUSING, three-way socket (black)	FLH, FLHT, FLHX, FLHXS
5	72127-06	SECONDARY LOCK, three-way socket	FLH, FLHT, FLHX, FLHXS
6	72168-07	TERMINAL, socket, 18-20 AWG (3)	FLH, FLHT, FLHX, FLHXS
7	72232-96	SEAL PIN (red) (2)	FLH, FLHT, FLHX, FLHXS
8	72484-08	TERMINAL, socket, 20 AWG (3)	FLH, FLHT, FLHX, FLHXS
9	72486-08	WIRE SEAL, 20 AWG (green) (3)	FLH, FLHT, FLHX, FLHXS
10	72512-07BK	HOUSING, three-way socket (black)	FLH, FLHT, FLHX, FLHXS
11	72519-09BK	DUST CAP, three-way socket (black)	FLH, FLHT, FLHX, FLHXS
12	72606-08	HOUSING, two-way socket (black)	FLH, FLHT, FLHX, FLHXS
13	72607-08	HOUSING, two-way pin (black)	FLH, FLHT, FLHX, FLHXS
14	72608-08	TERMINAL, pin, 16-20 AWG (2)	FLH, FLHT, FLHX, FLHXS
15	72609-08	SECONDARY LOCK, two-way socket	FLH, FLHT, FLHX, FLHXS
16	72610-08	WIRE SEAL, 18 - 20 AWG (white) (2)	FLH, FLHT, FLHX, FLHXS
17	73213-07	RETAINER, anchored	FLH, FLHT, FLHX, FLHXS
18	74112-98BK	HOUSING, two-way socket (black)	FLH, FLHT, FLHX, FLHXS
19	74152-98	SECONDARY LOCK, two-way socket	FLH, FLHT, FLHX, FLHXS
20	74191-98	TERMINAL, socket, 16-20 AWG (2)	FLH, FLHT, FLHX, FLHXS
21	12500014	CABLE STRAP	FLH, FLHT, FLHX, FLHXS
22	12500018	CABLE STRAP	FLH, FLHT, FLHX, FLHXS
23	69200238	TERMINAL, insulated (2)	FLH, FLHT, FLHX, FLHXS
24	69201423	DC LEAD ASSEMBLY	FLH, FLHT, FLHX, FLHXS
25	72175-07BK	HOUSING, four-way pin (black)	FLH, FLHT, FLHX, FLHXS
26	72169-07	TERMINAL, pin, 16-20 AWG (2)	FLH, FLHT, FLHX, FLHXS
27	72343-10	TERMINAL, pin, 16-20 AWG (2)	FLH, FLHT, FLHX, FLHXS

INDEX NO.	PART NO.	DESCRIPTION	MODEL(S)
28	72632-10	PLUG, weather, four-way pin	FLH, FLHT, FLHX, FLHXS
29	69201722	ANCHOR	FLH, FLHT, FLHX, FLHXS

WIRING HARNESS, MAIN - FLHT, FLHX, FLHXS AND FLH (9 OF 10)



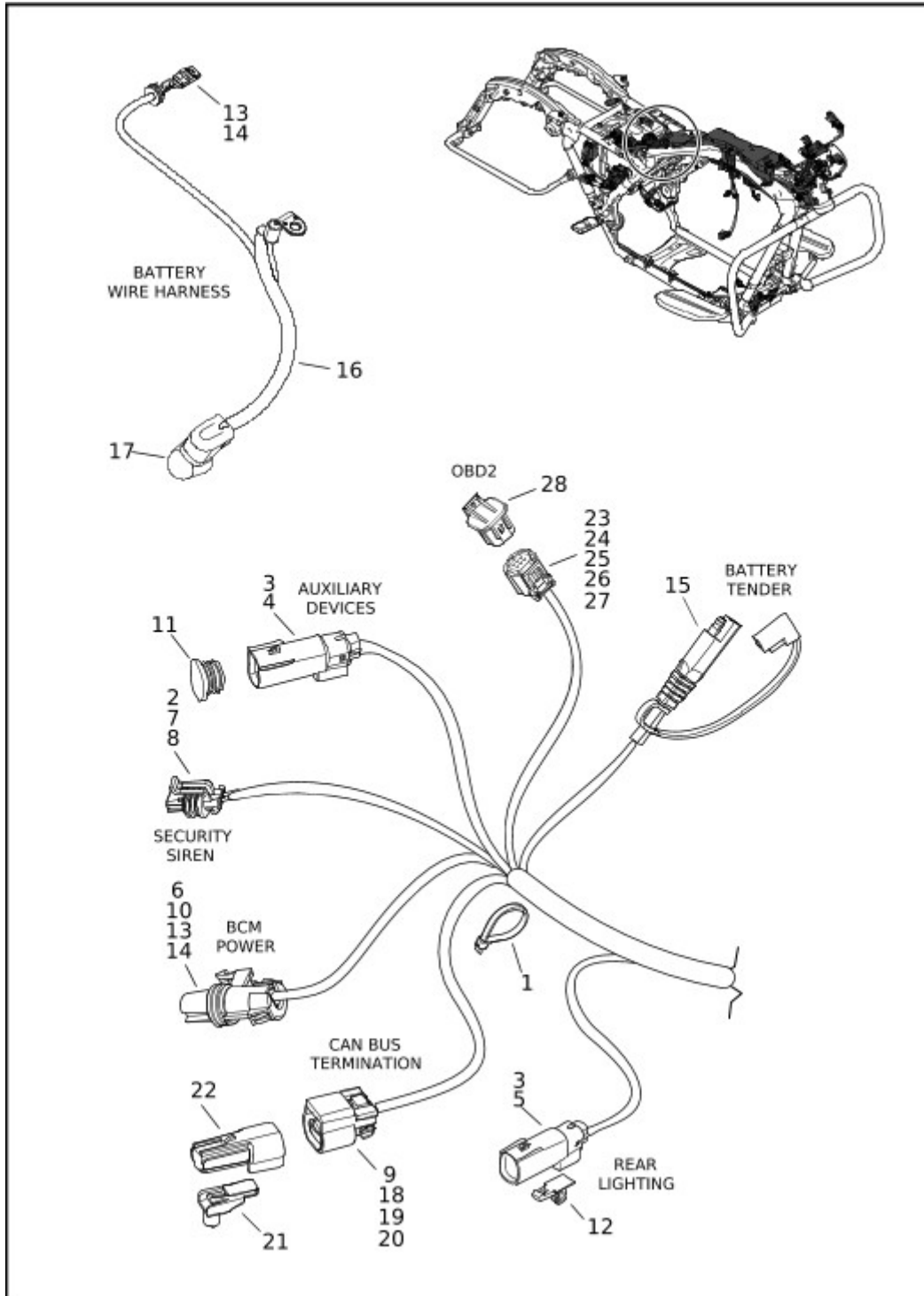
[VIEW INTERACTIVE IMAGE](#)

[View interactive table](#)

INDEX NO.	PART NO.	DESCRIPTION	MODEL(S)
	69202228	MAIN WIRING HARNESS	FLH, FLHT, FLHX, FLHXS
NOTE: Includes the following parts.			
1	10006	CABLE STRAP (2)	FLH, FLHT, FLHX, FLHXS
2	10065	CABLE STRAP	FLH, FLHT, FLHX, FLHXS
3	31586-07	RELAY (2)	FLH, FLHT, FLHX, FLHXS
4	72081-11	HOUSING, 48-way socket (black)	FLH, FLHT, FLHX, FLHXS
5	72209-11	COVER, wire dress	FLH, FLHT, FLHX, FLHXS
6	72222-11	TERMINAL, socket, 18-20 AWG (20)	FLH, FLHT, FLHX, FLHXS
7	72226-11	TERMINAL, socket, 14-16 AWG	FLH, FLHT, FLHX, FLHXS
8	72227-11	TERMINAL, socket, 18-20 AWG (5)	FLH, FLHT, FLHX, FLHXS
9	72256-11	SEAL PIN (white) 0.6 mm (10)	FLH, FLHT, FLHX, FLHXS
10	72296-95	TERMINAL, socket, 14-16 AWG (3)	FLH, FLHT, FLHX, FLHXS
11	72298-95	WIRE SEAL, 14-18 AWG (green) (3)	FLH, FLHT, FLHX, FLHXS
12	72299-95	SEAL PIN (green) (2)	FLH, FLHT, FLHX, FLHXS
13	72308-97	TERMINAL, socket, 12-14 AWG (5)	FLH, FLHT, FLHX, FLHXS
14	72330-95	FUSE, 15 A (blue)	FLH, FLHT, FLHX, FLHXS
15	72331-95	FUSE, 5 A (tan) (2)	FLH, FLHT, FLHX, FLHXS
16	72345-02	FUSE, 20 A (yellow) (3)	FLH, FLHT, FLHX, FLHXS
17	72356-95	TERMINAL, socket, 18-20 AWG (16)	FLH, FLHT, FLHX, FLHXS
18	72412-97	WIRE SEAL, 12-14 AWG (gray) (5)	FLH, FLHT, FLHX,

INDEX NO.	PART NO.	DESCRIPTION	MODEL(S)
			FLHXS
19	73301-04	HOUSING, two-way pin (black)	FLH, FLHT, FLHX, FLHXS
20	73303-04	SECONDARY LOCK, two-way socket (black)	FLH, FLHT, FLHX, FLHXS
21	73304-04	TERMINAL, socket, 10 AWG	FLH, FLHT, FLHX, FLHXS
22	73305-04	WIRE SEAL, 10 AWG (blue)	FLH, FLHT, FLHX, FLHXS
23	11100115	CLOTH, harness wrap, 50 m (not shown)	FLH, FLHT, FLHX, FLHXS
24	69200194	FUSE BLOCK, 24-way	FLH, FLHT, FLHX, FLHXS
25	69200199	WIRE SEAL, 18-20 AWG (14)	FLH, FLHT, FLHX, FLHXS
26	69200293	FUSE, 7.5 A (brown) (2)	FLH, FLHT, FLHX, FLHXS
27	69200312	SECONDARY LOCK, 24-way socket (3)	FLH, FLHT, FLHX, FLHXS
28	69200336A	MAIN FUSE, 50 A (red), NOTE: Fuse is sold separately and is not part of main harness.	FLH, FLHT, FLHX, FLHXS
29	69201411	COVER, fuse block	FLH, FLHT, FLHX, FLHXS

WIRING HARNESS, MAIN - FLHT, FLHX, FLHXS AND FLH (10 OF 10)



VIEW INTERACTIVE IMAGE

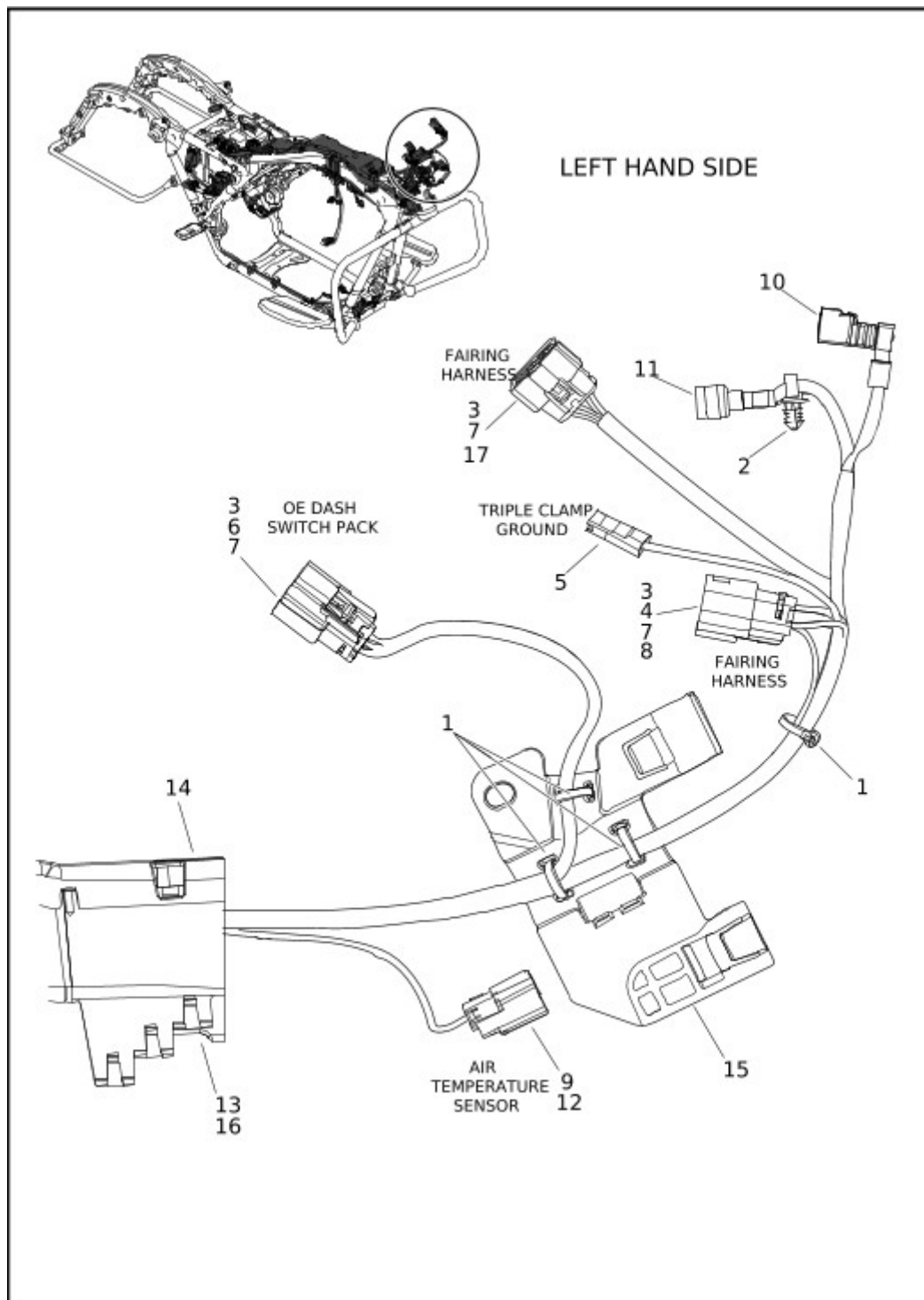
[View interactive table](#)

INDEX NO.	PART NO.	DESCRIPTION	MODEL(S)
	69202228	MAIN WIRING HARNESS	FLH, FLHT, FLHX, FLHXS
NOTE: Includes the following parts.			
1	10065	CABLE STRAP	FLH, FLHT, FLHX,

INDEX NO.	PART NO.	DESCRIPTION	MODEL(S)
			FLHXS
2	72064-06	HOUSING, three-way socket (black)	FLH, FLHT, FLHX, FLHXS
3	72169-07	TERMINAL, pin, 16-20 AWG (10)	FLH, FLHT, FLHX, FLHXS
4	72175-07BK	HOUSING, four-way pin (gray)	FLH, FLHT, FLHX, FLHXS
5	72188-07BK	HOUSING, six-way pin (black)	FLH, FLHT, FLHX, FLHXS
6	72350-11	HOUSING, one-way socket (black)	FLH, FLHT, FLHX, FLHXS
7	72484-08	TERMINAL, socket, 20 AWG (3)	FLH, FLHT, FLHX, FLHXS
8	72486-08	WIRE SEAL, 20 AWG (green) (3)	FLH, FLHT, FLHX, FLHXS
9	72499-07	WIRE SEAL, 20-22 AWG (green) (2)	FLH, FLHT, FLHX, FLHXS
10	72575-11	SECONDARY LOCK, one-way socket (black)	FLH, FLHT, FLHX, FLHXS
11	72632-10	PLUG, weather, four-way pin	FLH, FLHT, FLHX, FLHXS
12	73213-07	RETAINER, anchored	FLH, FLHT, FLHX, FLHXS
13	73304-04	TERMINAL, socket, 10 AWG (2)	FLH, FLHT, FLHX, FLHXS
14	73305-04	SEAL WIRE, 10 AWG (blue) (2)	FLH, FLHT, FLHX, FLHXS
15	69200212	HARNESS, battery tender	FLH, FLHT, FLHX, FLHXS
16	69201130	WIRE HARNESS, battery positive to starter, with 73304-04, 73305-04 and 69201307	FLH, FLHT, FLHX, FLHXS
17	69201307	BOOT, battery positive	FLH, FLHT, FLHX, FLHXS
18	69201396	TERMINAL, socket, 20 AWG (2)	FLH, FLHT, FLHX, FLHXS
19	69201400	HOUSING, two-way socket (black)	FLH, FLHT, FLHX, FLHXS
20	69201401	SECONDARY LOCK, two-way socket	FLH, FLHT, FLHX, FLHXS

INDEX NO.	PART NO.	DESCRIPTION	MODEL(S)
21	69201404	CONNECTOR, anchored	FLH, FLHT, FLHX, FLHXS
22	69201405	RESISTOR PACK	FLH, FLHT, FLHX, FLHXS
23	69202098	HOUSING, six-way socket (red)	FLH, FLHT, FLHX, FLHXS
24	69202109	SECONDARY LOCK, six-way	FLH, FLHT, FLHX, FLHXS
25	69202107	SEAL PIN (Lt. Gray) (2)	FLH, FLHT, FLHX, FLHXS
26	69202104	TERMINAL, socket 22AWG (4)	FLH, FLHT, FLHX, FLHXS
27	69202106	WIRE SEAL (4)	FLH, FLHT, FLHX, FLHXS
28	69202108	CAP	FLH, FLHT, FLHX, FLHXS

WIRING HARNESS, MAIN - FLHTK (1 OF 10)



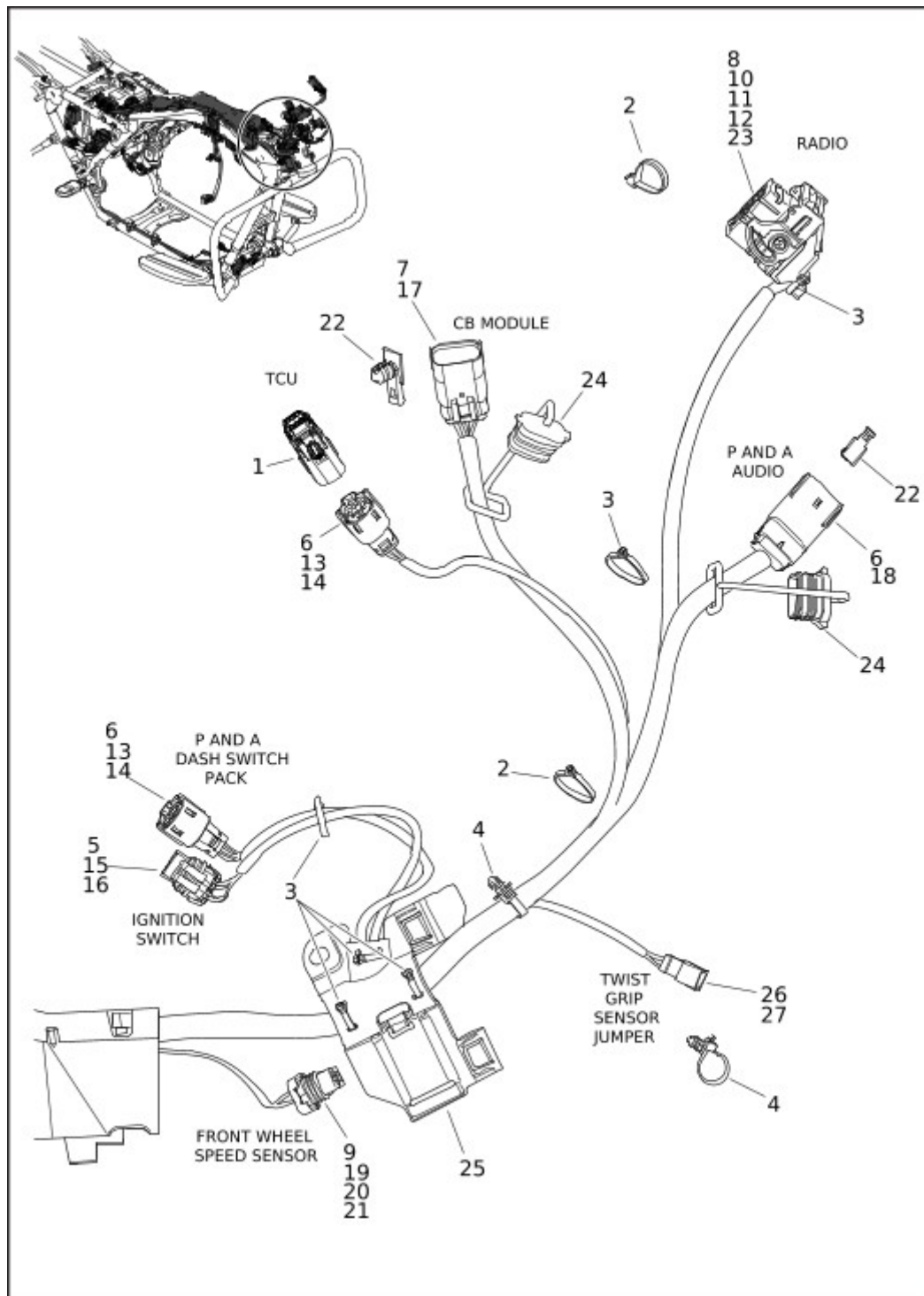
VIEW INTERACTIVE IMAGE

View interactive table

INDEX NO.	PART NO.	DESCRIPTION	MODEL(S)
	69202229	MAIN WIRING HARNESS	FLHTK, FLHTK SHRINE
NOTE: Includes the following parts.			
1	10065	CABLE STRAP (4)	FLHTK, FLHTK SHRINE
2	10177	CABLE STRAP	FLHTK, FLHTK SHRINE

INDEX NO.	PART NO.	DESCRIPTION	MODEL(S)
3	72168-07	TERMINAL, socket, 18-20 AWG (19)	FLHTK, FLHTK SHRINE
4	72272-07	TERMINAL, socket, 14-16 AWG (4)	FLHTK, FLHTK SHRINE
5	72364-06	TERMINAL, insulated	FLHTK, FLHTK SHRINE
6	72414-07BK	HOUSING, six-way socket (black)	FLHTK, FLHTK SHRINE
7	72473-07	SEAL PIN (11)	FLHTK, FLHTK SHRINE
8	72489-07GY	HOUSING, 12-way socket (gray)	FLHTK, FLHTK SHRINE
9	72721-07	TERMINAL, socket, 18-20 AWG (2)	FLHTK, FLHTK SHRINE
10	69200032	WIRE HARNESS, AM/FM antenna	FLHTK, FLHTK SHRINE
11	69200136	WIRE HARNESS, CB antenna	FLHTK, FLHTK SHRINE
12	69200201	HOUSING, two-way socket (black)	FLHTK, FLHTK SHRINE
13	69202720	WIRE TROUGH, with 69202637	FLHTK, FLHTK SHRINE
14	69202636	COVER, wire trough	FLHTK, FLHTK SHRINE
15	69200214	CADDY, left steer head	FLHTK, FLHTK SHRINE
16	69202637	CLIP (2)	FLHTK, FLHTK SHRINE
17	72166-07BK	HOUSING, 16-way socket (black)	FLHTK, FLHTK SHRINE

WIRING HARNESS, MAIN - FLHTK (2 OF 10)



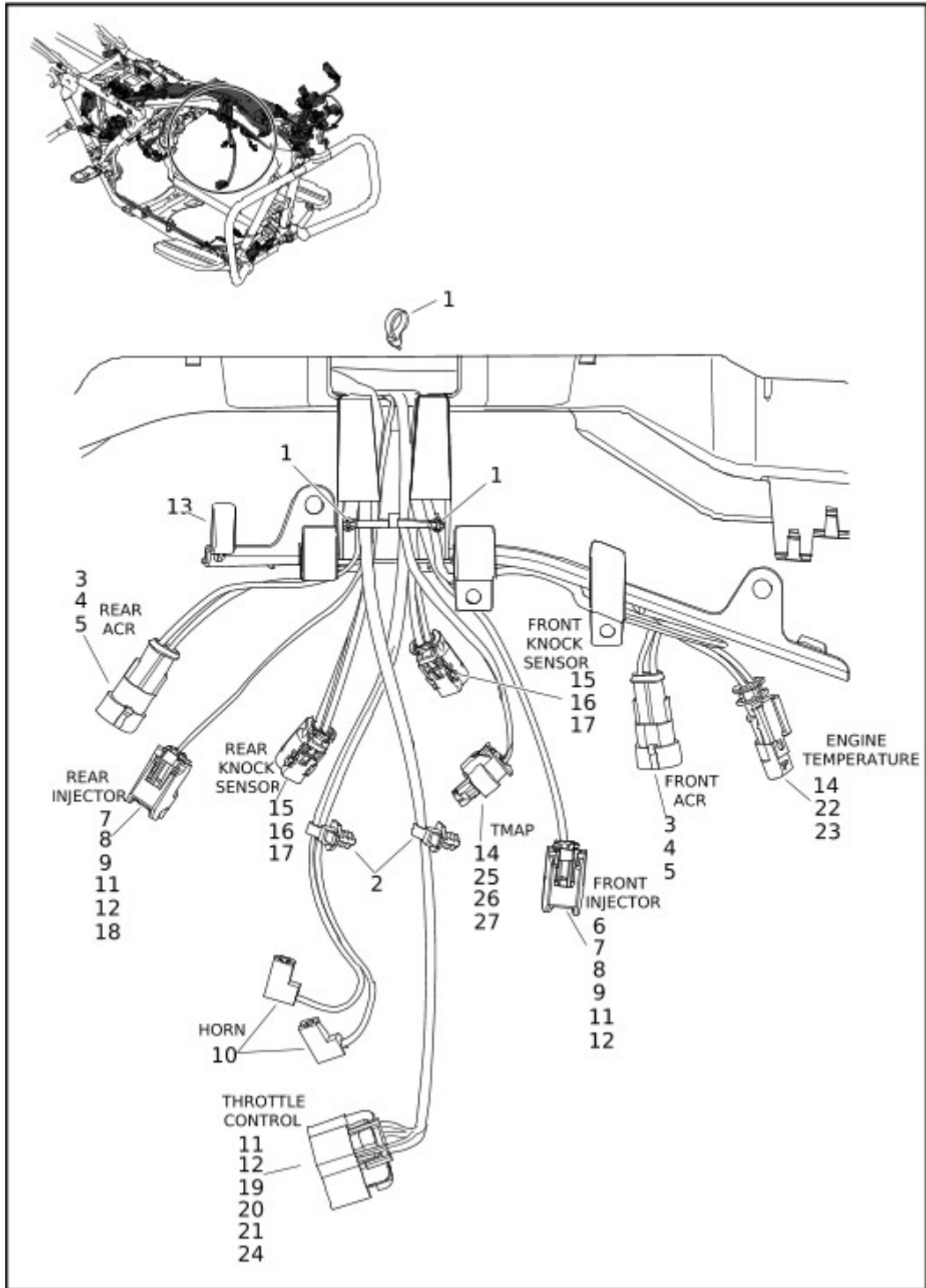
VIEW INTERACTIVE IMAGE

[View interactive table](#)

INDEX NO.	PART NO.	DESCRIPTION	MODEL(S)
1	69202412	PLUG, weather (used without TCU module)	FLHTK, FLHTK SHRINE
	69202229	MAIN WIRING HARNESS	FLHTK, FLHTK SHRINE
NOTE: Includes the following parts.			
2	10006	CABLE STRAP (2)	FLHTK, FLHTK SHRINE

INDEX NO.	PART NO.	DESCRIPTION	MODEL(S)
3	10065	CABLE STRAP (6)	FLHTK, FLHTK SHRINE
4	10177	CABLE STRAP, anchored (2)	FLHTK, FLHTK SHRINE
5	72062-06	HOUSING, 2-way socket (gray)	FLHTK, FLHTK SHRINE
6	72168-07	TERMINAL, socket, 18-20 AWG (9)	FLHTK, FLHTK SHRINE
7	72169-07	TERMINAL, pin, 16-20 AWG (24)	FLHTK, FLHTK SHRINE
8	72209-11	COVER, wire dress	FLHTK, FLHTK SHRINE
9	72213-94	TERMINAL, socket, 16-20 AWG (2)	FLHTK, FLHTK SHRINE
10	72222-11	TERMINAL, socket, 18-20 AWG (27)	FLHTK, FLHTK SHRINE
11	72226-11	TERMINAL, socket, 14-16 AWG (8)	FLHTK, FLHTK SHRINE
12	72256-11	SEAL PIN (13)	FLHTK, FLHTK SHRINE
13	72414-07BK	HOUSING, six-way socket (black) (2)	FLHTK, FLHTK SHRINE
14	72473-07	SEAL PIN (3)	FLHTK, FLHTK SHRINE
15	72484-08	TERMINAL, socket, 20 AWG (2)	FLHTK, FLHTK SHRINE
16	72486-08	WIRE SEAL, 20 AWG (green) (2)	FLHTK, FLHTK SHRINE
17	72488-07BK	HOUSING, 12-way pin (black)	FLHTK, FLHTK SHRINE
18	72490-07GY	HOUSING, 12-way pin (gray)	FLHTK, FLHTK SHRINE
19	72606-08	HOUSING, two-way socket (black)	FLHTK, FLHTK SHRINE
20	72610-08	WIRE SEAL, 18-20 AWG (white) (2)	FLHTK, FLHTK SHRINE
21	72639-10	SECONDARY LOCK, two-way socket	FLHTK, FLHTK SHRINE
22	73213-07	RETAINER, anchored (2)	FLHTK, FLHTK SHRINE
23	69200193	HOUSING, 48-way socket (black)	FLHTK, FLHTK SHRINE
24	69200205	WEATHER PLUG, 12-way pin (2)	FLHTK, FLHTK SHRINE
25	69203026	CADDY, right steer head	FLHTK, FLHTK SHRINE
26	69201163	HOUSING, six-way pin (black)	FLHTK, FLHTK SHRINE
27	69201164	TERMINAL, pin, 22 AWG (6)	FLHTK, FLHTK SHRINE

WIRING HARNESS, MAIN - FLHTK (3 OF 10)



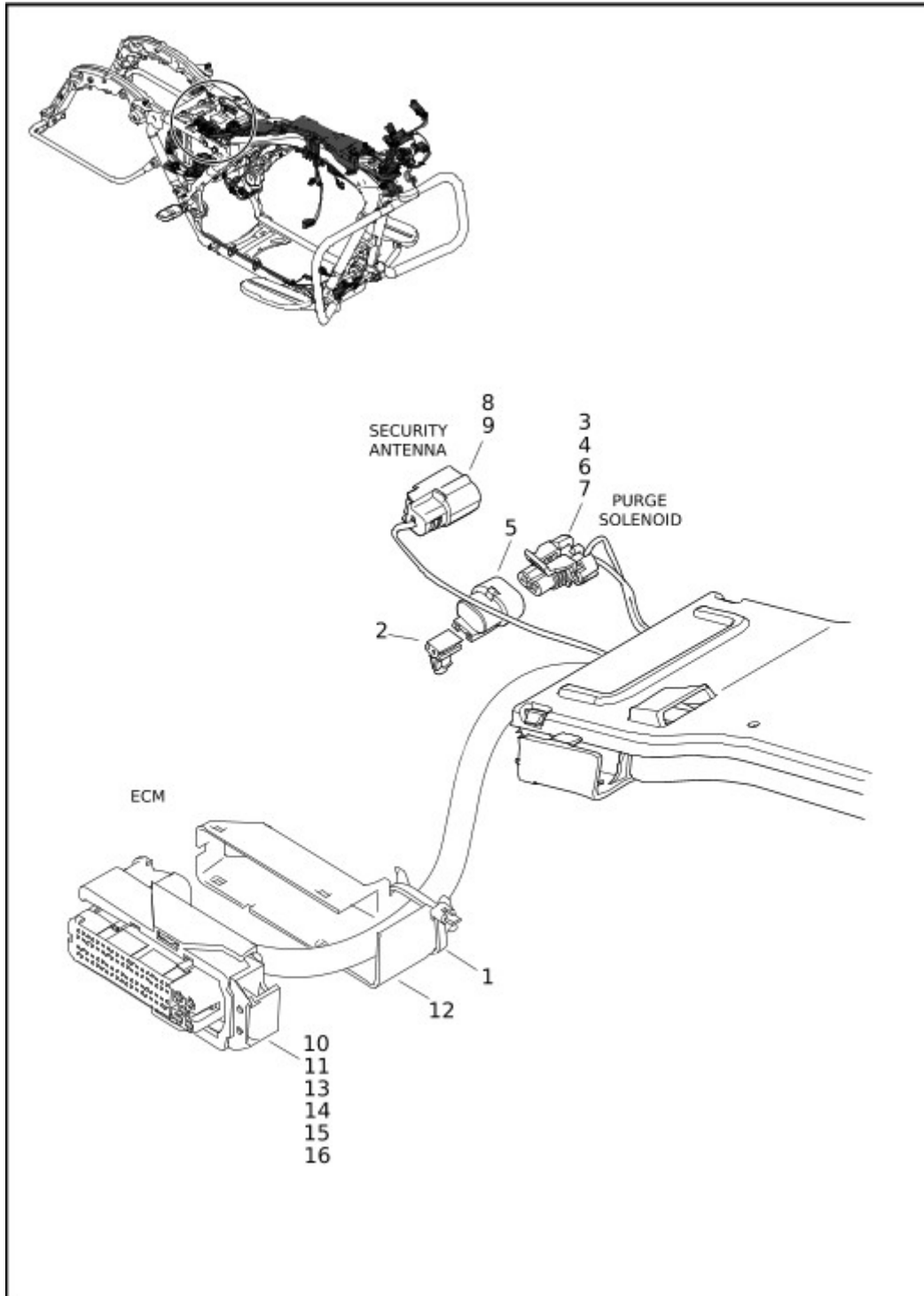
VIEW INTERACTIVE IMAGE

[View interactive table](#)

INDEX NO.	PART NO.	DESCRIPTION	MODEL(S)
	69202229	MAIN WIRING HARNESS	FLHTK, FLHTK SHRINE
NOTE: Includes the following parts.			
1	10065	CABLE STRAP (3)	FLHTK, FLHTK SHRINE
2	10177	CABLE STRAP, anchored (2)	FLHTK, FLHTK SHRINE

INDEX NO.	PART NO.	DESCRIPTION	MODEL(S)
3	72008-05	TERMINAL, pin, 20-22 AWG (4)	FLHTK, FLHTK SHRINE
4	72009-05	HOUSING, two-way pin (black) (2)	FLHTK, FLHTK SHRINE
5	72010-05	WIRE SEAL, 22-26 AWG (green) (4)	FLHTK, FLHTK SHRINE
6	72098-06	HOUSING, two-way socket (gray)	FLHTK, FLHTK SHRINE
7	72099-06	WIRE SEAL, 16-18 AWG (blue) (2)	FLHTK, FLHTK SHRINE
8	72110-06	TERMINAL, socket, 16-18 AWG (2)	FLHTK, FLHTK SHRINE
9	72145-06	SECONDARY LOCK, two-way socket (2)	FLHTK, FLHTK SHRINE
10	72283-09	TERMINAL, socket, 14-16 AWG, 90 degree (2)	FLHTK, FLHTK SHRINE
11	72499-07	WIRE SEAL, 20-22 AWG (green) (8)	FLHTK, FLHTK SHRINE
12	72569-08	TERMINAL, socket, 20-22 AWG (4)	FLHTK, FLHTK SHRINE
13	69201287	BRACKET, mounting	FLHTK, FLHTK SHRINE
14	69201301	WIRE SEAL, 20-22 AWG (green) (6)	FLHTK, FLHTK SHRINE
15	69201390	HOUSING, two-way socket (black) (2)	FLHTK, FLHTK SHRINE
16	69201391	TERMINAL, socket, 20 AWG (4)	FLHTK, FLHTK SHRINE
17	69201392	WIRE SEAL, 20 AWG (yellow) (4)	FLHTK, FLHTK SHRINE
18	69201393	HOUSING, two-way socket (black)	FLHTK, FLHTK SHRINE
19	69201394	HOUSING, six-way socket (black)	FLHTK, FLHTK SHRINE
20	69201395	SECONDARY LOCK, six-way socket	FLHTK, FLHTK SHRINE
21	69201396	TERMINAL, socket, 20 AWG (4)	FLHTK, FLHTK SHRINE
22	69201397	HOUSING, two-way pin (gray)	FLHTK, FLHTK SHRINE
23	69201398	TERMINAL, pin, 20 AWG (2)	FLHTK, FLHTK SHRINE
24	69201416	SECONDARY LOCK, 6-way socket	FLHTK, FLHTK SHRINE
25	69201441	HOUSING, four-way socket	FLHTK, FLHTK SHRINE
26	69201442	TERMINAL, socket, 18 AWG (2)	FLHTK, FLHTK SHRINE
27	69201407	TERMINAL, socket, 20 AWG (2)	FLHTK, FLHTK SHRINE

WIRING HARNESS, MAIN - FLHTK (4 OF 10)



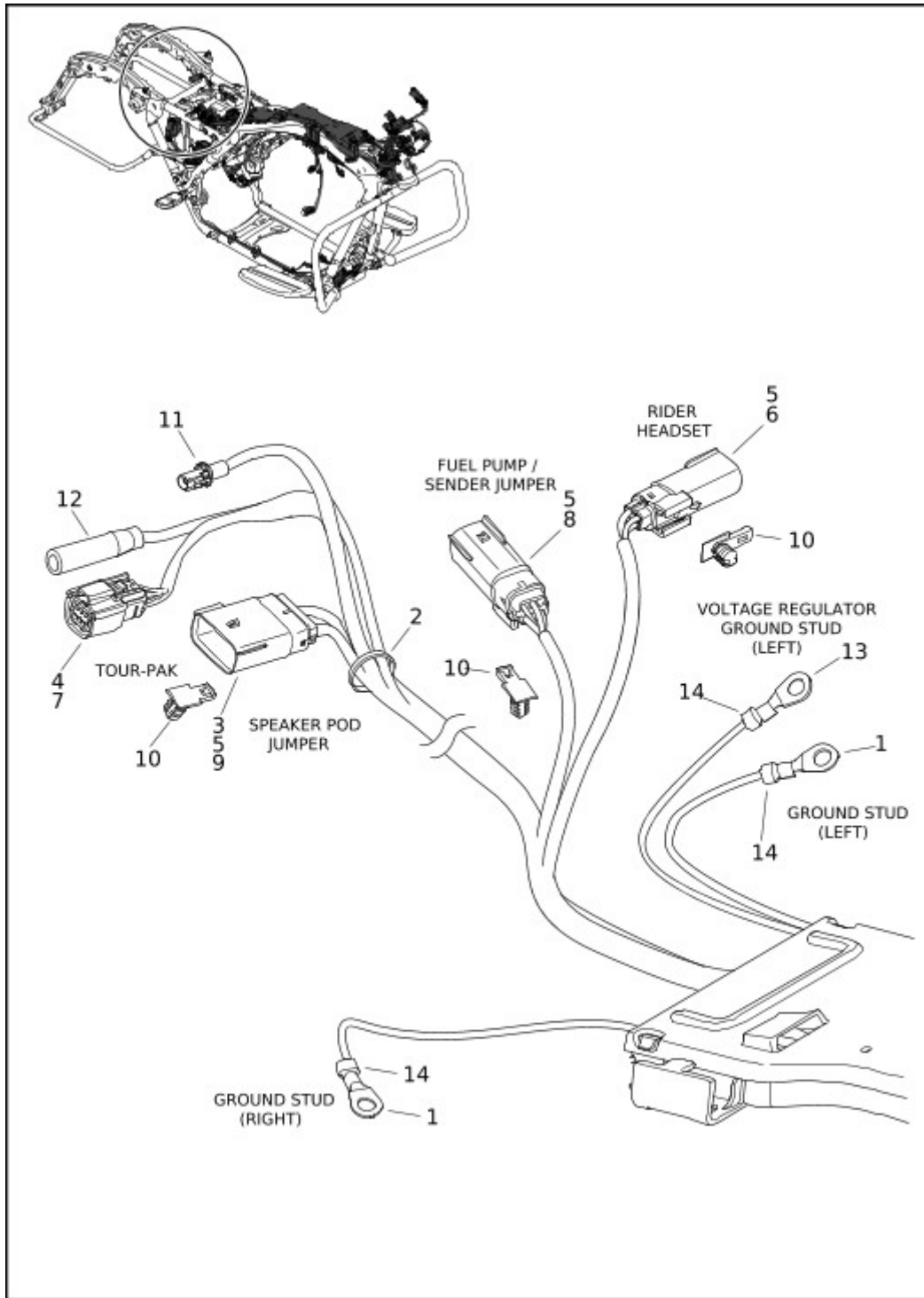
VIEW INTERACTIVE IMAGE

View interactive table

INDEX NO.	PART NO.	DESCRIPTION	MODEL(S)
	69202229	MAIN WIRING HARNESS	FLHTK, FLHTK SHRINE
NOTE: Includes the following parts.			
1	10065	CABLE STRAP	FLHTK, FLHTK SHRINE
2	10147	CLIP, connector	FLHTK, FLHTK SHRINE

INDEX NO.	PART NO.	DESCRIPTION	MODEL(S)
3	72213-94	TERMINAL, socket, 16-20 AWG (2)	FLHTK, FLHTK SHRINE
4	72518-01	HOUSING, two-way socket (red)	FLHTK, FLHTK SHRINE
5	72533-06	DUST CAP, two-way connector	FLHTK, FLHTK SHRINE
6	72609-08	SECONDARY LOCK, two-way socket (black)	FLHTK, FLHTK SHRINE
7	72610-08	WIRE SEAL, 18-20 AWG (white) (2)	FLHTK, FLHTK SHRINE
8	72720-07	HOUSING, two-way socket (black)	FLHTK, FLHTK SHRINE
9	72721-07	TERMINAL, socket, 18-20 AWG (2)	FLHTK, FLHTK SHRINE
10	69202322	HOUSING, 81-way socket	FLHTK, FLHTK SHRINE
11	69202032	SECONDARY LOCK	FLHTK, FLHTK SHRINE
12	69202323	COVER	FLHTK, FLHTK SHRINE
13	69201890	TERMINAL, socket (5)	FLHTK, FLHTK SHRINE
14	69202453	TERMINAL, pin (44)	FLHTK, FLHTK SHRINE
15	69202028	TERMINAL, pin (32)	FLHTK, FLHTK SHRINE
16	69202031	WIRE SEAL (5)	FLHTK, FLHTK SHRINE

WIRING HARNESS, MAIN - FLHTK (5 OF 10)



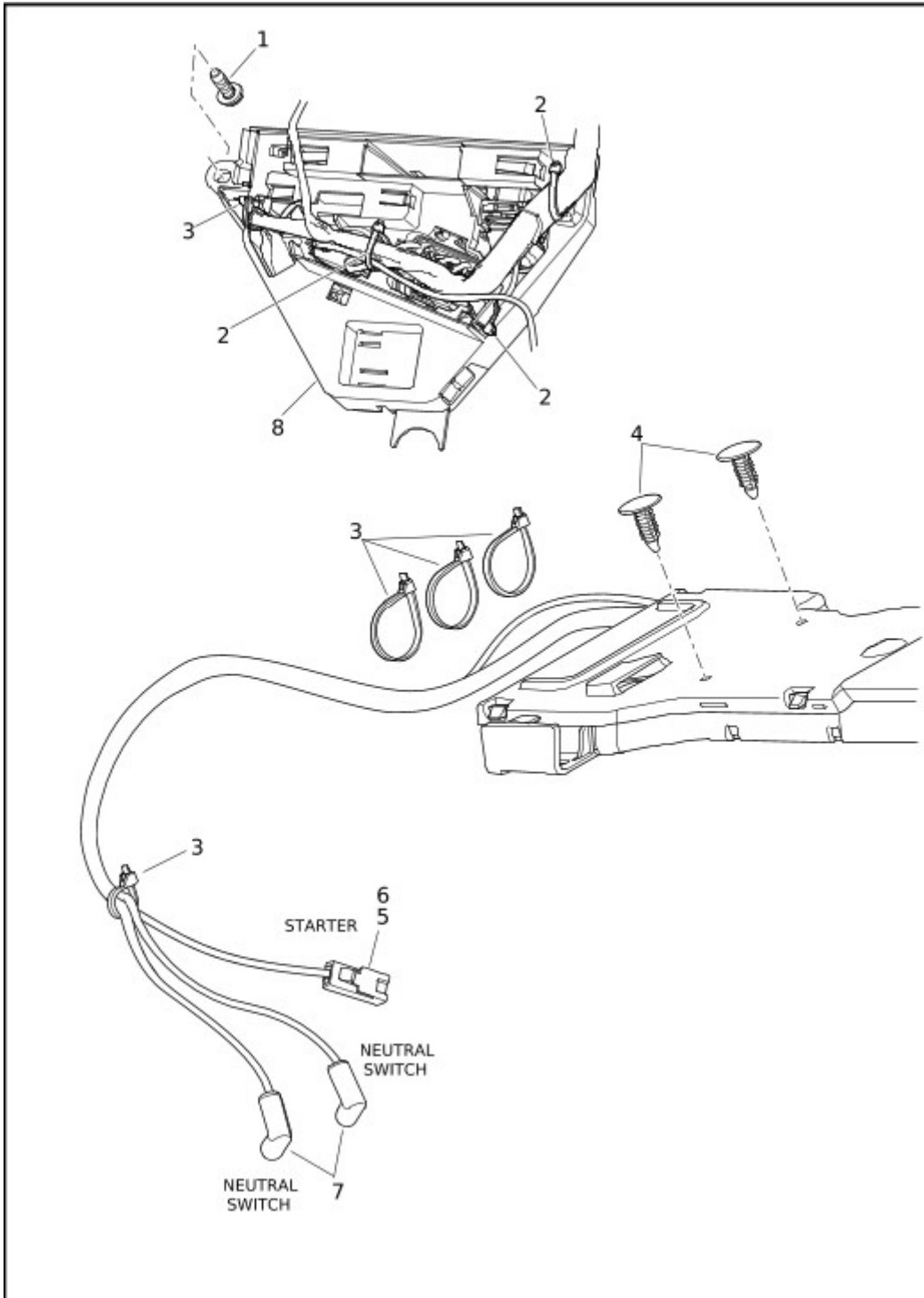
VIEW INTERACTIVE IMAGE

View interactive table

INDEX NO.	PART NO.	DESCRIPTION	MODEL(S)
	69202229	MAIN WIRING HARNESS	FLHTK, FLHTK SHRINE
NOTE: Includes the following parts.			
1	9819	TERMINAL, 1/4 in ring, 12 AWG (2)	FLHTK, FLHTK SHRINE
2	10065	CABLE STRAP	FLHTK, FLHTK SHRINE

INDEX NO.	PART NO.	DESCRIPTION	MODEL(S)
3	72167-07BK	HOUSING, 16-way pin (black)	FLHTK, FLHTK SHRINE
4	72168-07	TERMINAL, socket, 18-20 AWG (6)	FLHTK, FLHTK SHRINE
5	72169-07	TERMINAL, pin, 16-20 AWG (23)	FLHTK, FLHTK SHRINE
6	72188-07BK	HOUSING, six-way pin (black)	FLHTK, FLHTK SHRINE
7	72414-07BK	HOUSING, six-way socket (black)	FLHTK, FLHTK SHRINE
8	72415-07GY	HOUSING, four-way pin (gray)	FLHTK, FLHTK SHRINE
9	72473-07	SEAL PIN (3)	FLHTK, FLHTK SHRINE
10	73213-07	RETAINER, anchored (3)	FLHTK, FLHTK SHRINE
11	69200032	WIRE HARNESS, AM/FM antenna	FLHTK, FLHTK SHRINE
12	69200136	WIRE HARNESS, CB antenna	FLHTK, FLHTK SHRINE
13	69201596	TERMINAL, ring, 8-10 AWG	FLHTK, FLHTK SHRINE
14	69202219	HEAT SHRINK TUBE, .415 x 1 (black)	FLHTK, FLHTK SHRINE

WIRING HARNESS, MAIN - FLHTK (6 OF 10)



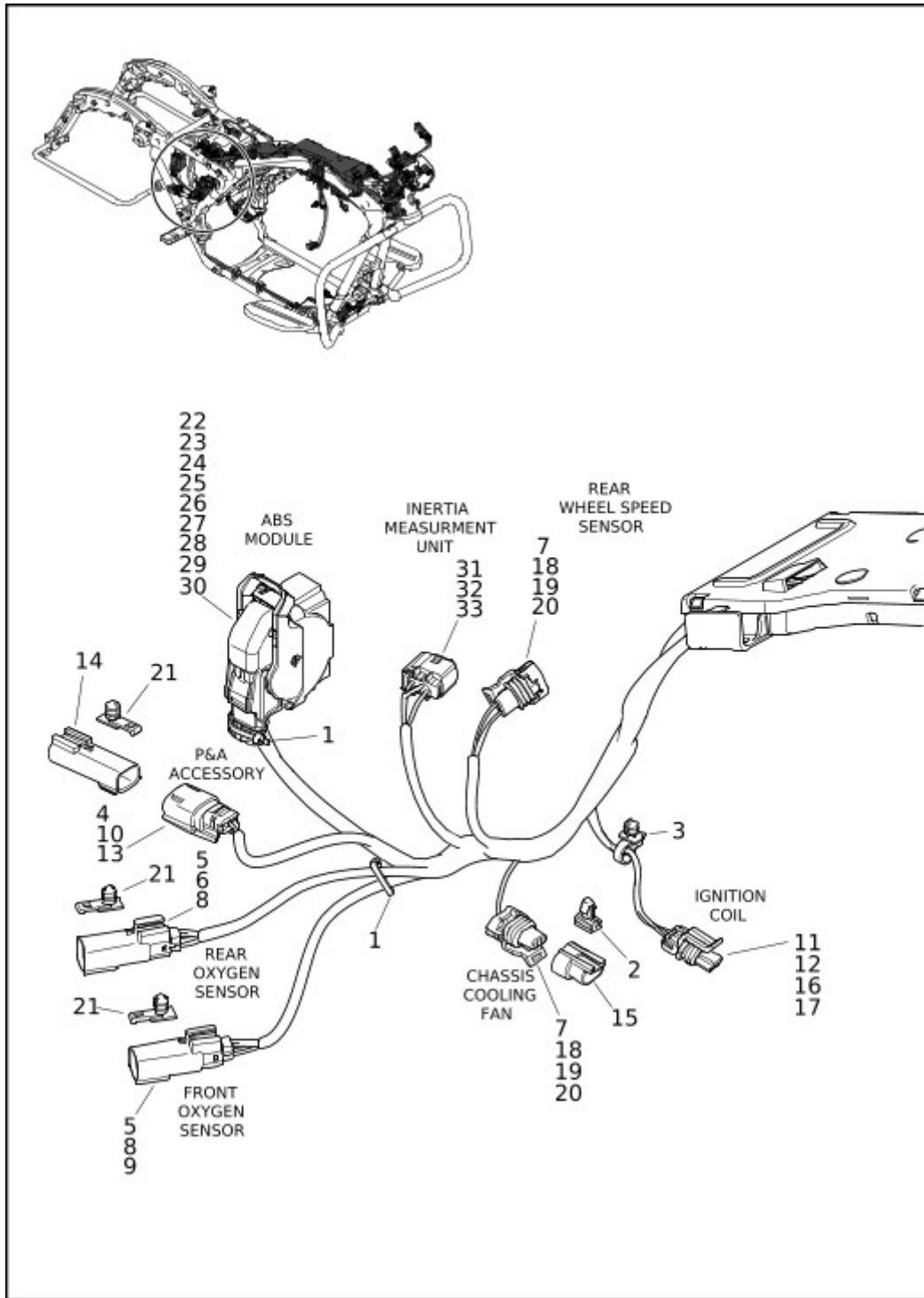
VIEW INTERACTIVE IMAGE

[View interactive table](#)

INDEX NO.	PART NO.	DESCRIPTION	MODEL(S)
1	3634	SCREW (not included on harness) (2)	FLHTK, FLHTK SHRINE
	69202229	MAIN WIRING HARNESS	FLHTK, FLHTK SHRINE
NOTE: Includes the following parts.			
2	10006	CABLE STRAP (3)	FLHTK, FLHTK SHRINE

INDEX NO.	PART NO.	DESCRIPTION	MODEL(S)
3	10065	CABLE STRAP (5)	FLHTK, FLHTK SHRINE
4	11779	FASTENER, push-in (black) (2)	FLHTK, FLHTK SHRINE
5	72291-94	TERMINAL, socket, 14-16 AWG	FLHTK, FLHTK SHRINE
6	72295-94	CONNECTOR, starter housing	FLHTK, FLHTK SHRINE
7	72405-98BK	WIRE ASSEMBLY, push-on, right angle molded, 65-1/2 in length (2)	FLHTK, FLHTK SHRINE
8	69200175	CADDY, fuse block, electrical panel	FLHTK, FLHTK SHRINE

WIRING HARNESS, MAIN - FLHTK (7 OF 10)



VIEW INTERACTIVE IMAGE

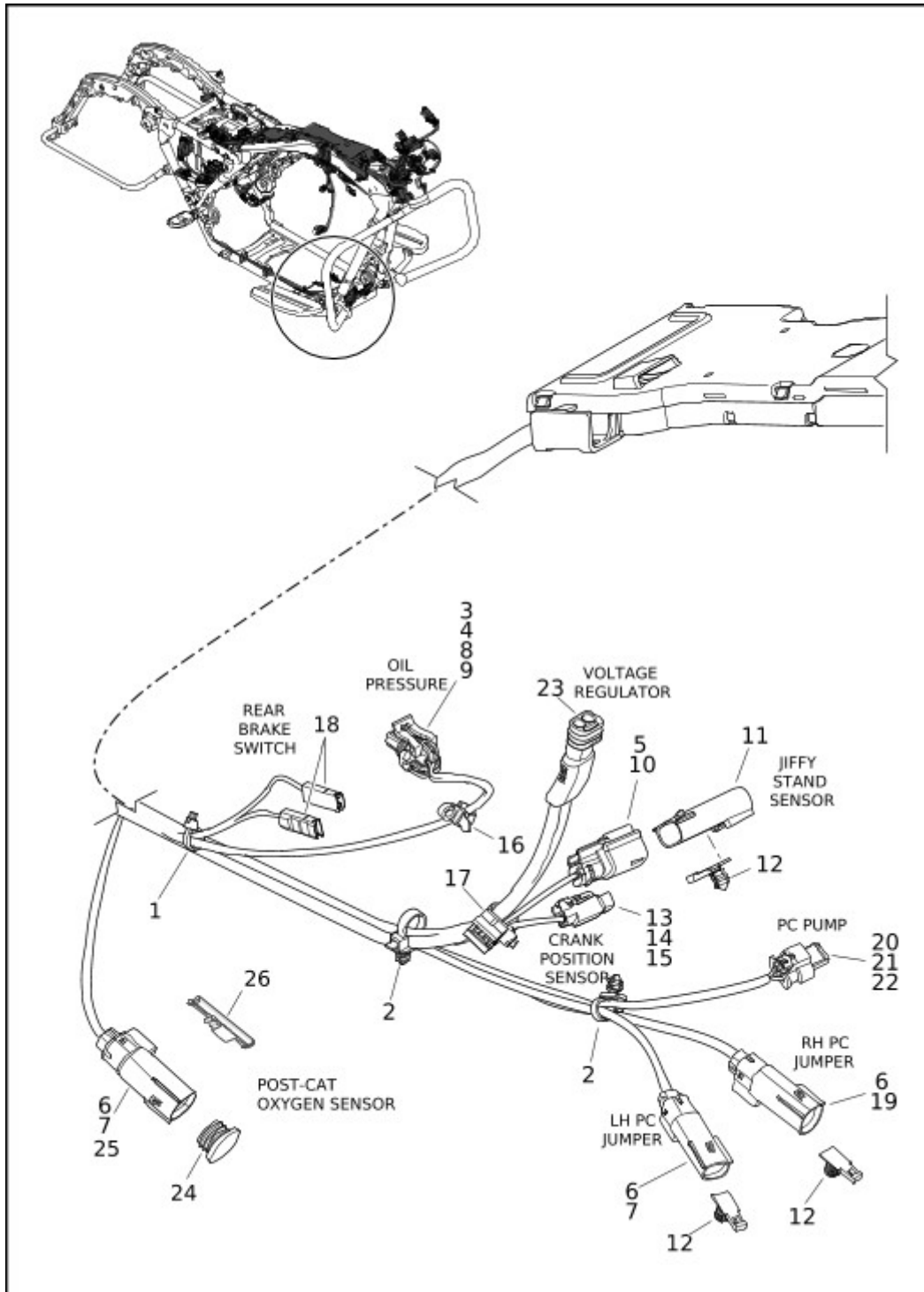
[View interactive table](#)

INDEX NO.	PART NO.	DESCRIPTION	MODEL(S)
	69202229	MAIN WIRING HARNESS	FLHTK, FLHTK SHRINE
NOTE: Includes the following parts.			
1	10065	CABLE STRAP (2)	FLHTK, FLHTK SHRINE
2	10147	CLIP	FLHTK, FLHTK SHRINE

INDEX NO.	PART NO.	DESCRIPTION	MODEL(S)
3	10177	CABLE STRAP, anchored	FLHTK, FLHTK SHRINE
4	72168-07	TERMINAL, socket, 18-20 AWG (2)	FLHTK, FLHTK SHRINE
5	72169-07	TERMINAL, pin, 16-20 AWG (4)	FLHTK, FLHTK SHRINE
6	72175-07BK	HOUSING, four-way pin (black)	FLHTK, FLHTK SHRINE
7	72213-94	TERMINAL, socket, 16-20 AWG (4)	FLHTK, FLHTK SHRINE
8	72343-10	TERMINAL, pin, 16-20 AWG (4)	FLHTK, FLHTK SHRINE
9	72415-07GY	HOUSING, four-way pin (gray)	FLHTK, FLHTK SHRINE
10	72473-07	SEAL PIN, natural	FLHTK, FLHTK SHRINE
11	72484-08	TERMINAL, socket, 20 AWG (3)	FLHTK, FLHTK SHRINE
12	72486-08	WIRE SEAL, 20 AWG (green) (3)	FLHTK, FLHTK SHRINE
13	72512-07BK	HOUSING, three-way socket (black)	FLHTK, FLHTK SHRINE
14	72519-09BK	DUST CAP, three-way socket (black)	FLHTK, FLHTK SHRINE
15	72533-06	PLUG, weather, two-way pin	FLHTK, FLHTK SHRINE
16	72544-07	SECONDARY LOCK, three-way socket	FLHTK, FLHTK SHRINE
17	72589-09	HOUSING, three-way socket (black)	FLHTK, FLHTK SHRINE
18	72606-08	HOUSING, two-way socket (black) (2)	FLHTK, FLHTK SHRINE
19	72609-08	SECONDARY LOCK, two-way socket (2)	FLHTK, FLHTK SHRINE
20	72610-08	WIRE SEAL, 18-20 AWG (white) (4)	FLHTK, FLHTK SHRINE
21	73213-07	RETAINER, anchored (3)	FLHTK, FLHTK SHRINE
22	69200183	HOUSING, 26-way socket	FLHTK, FLHTK SHRINE
23	69200184	COVER, 26-way socket	FLHTK, FLHTK SHRINE
24	69200185	TERMINAL, socket, 20 AWG (6)	FLHTK, FLHTK SHRINE
25	69200186	TERMINAL, socket, 14-16 AWG (2)	FLHTK, FLHTK SHRINE
26	69200187	TERMINAL, socket, 12 AWG (2)	FLHTK, FLHTK SHRINE
27	69200188	WIRE SEAL, 20 AWG (gray) (6)	FLHTK, FLHTK SHRINE
28	69200189	WIRE SEAL, 14-16 AWG (brown) (2)	FLHTK, FLHTK SHRINE
29	69200190	WIRE SEAL, 12 AWG (blue) (2)	FLHTK, FLHTK SHRINE
30	69200191	SEAL PIN (16)	FLHTK, FLHTK SHRINE
31	69201301	WIRE SEAL, 20-22 AWG (green) (4)	FLHTK, FLHTK SHRINE

INDEX NO.	PART NO.	DESCRIPTION	MODEL(S)
32	69201779	HOUSING, four-way (black)	FLHTK, FLHTK SHRINE
33	69201814	TERMINAL, socket (4)	FLHTK, FLHTK SHRINE

WIRING HARNESS, MAIN - FLHTK (8 OF 10)

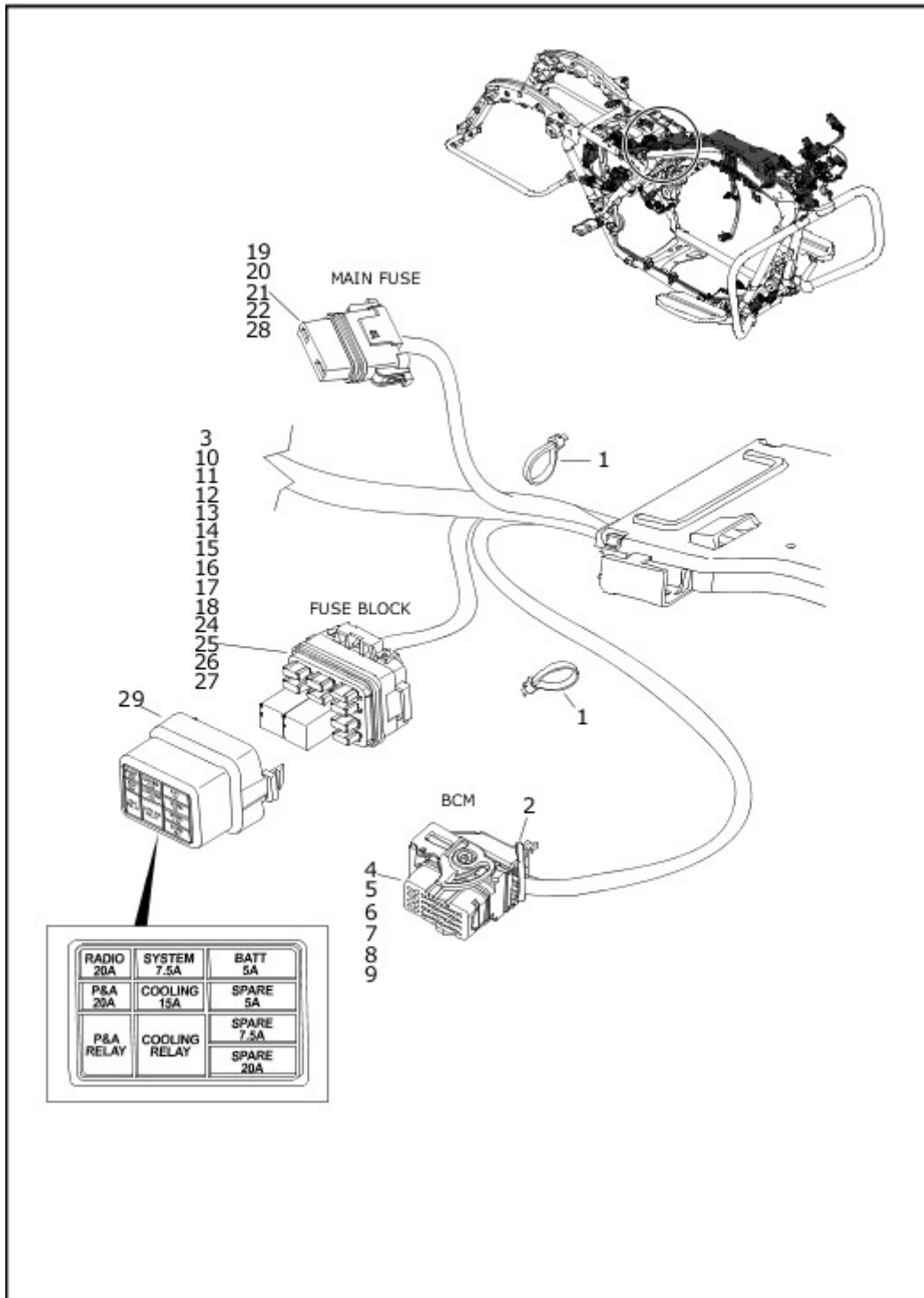


[VIEW INTERACTIVE IMAGE](#)

[View interactive table](#)

INDEX NO.	PART NO.	DESCRIPTION	MODEL(S)
	69202229	MAIN WIRING HARNESS	FLHTK, FLHTK SHRINE
NOTE: Includes the following parts.			
1	10065	CABLE STRAP	FLHTK, FLHTK SHRINE
2	10177	CABLE STRAP, anchored (2)	FLHTK, FLHTK SHRINE
3	72065-06A	HOUSING, three-way socket (black)	FLHTK, FLHTK SHRINE
4	72127-06	SECONDARY LOCK, three-way socket	FLHTK, FLHTK SHRINE
5	72168-07	TERMINAL, socket, 18-20 AWG (3)	FLHTK, FLHTK SHRINE
6	72169-07	TERMINAL, pin, 16-20 AWG (8)	FLHTK, FLHTK SHRINE
7	72175-07BK	HOUSING, four-way pin (black) (2)	FLHTK, FLHTK SHRINE
8	72484-08	TERMINAL, socket, 20 AWG (3)	FLHTK, FLHTK SHRINE
9	72486-08	WIRE SEAL, 20 AWG (green) (3)	FLHTK, FLHTK SHRINE
10	72512-07BK	HOUSING, three-way socket (black)	FLHTK, FLHTK SHRINE
11	72519-09BK	DUST CAP, three-way socket (black)	FLHTK, FLHTK SHRINE
12	73213-07	RETAINER, anchored (3)	FLHTK, FLHTK SHRINE
13	74112-98BK	HOUSING, two-way socket (black)	FLHTK, FLHTK SHRINE
14	74152-98	SECONDARY LOCK, two-way socket	FLHTK, FLHTK SHRINE
15	74191-98	TERMINAL, socket, 16-20 AWG (2)	FLHTK, FLHTK SHRINE
16	12500014	CABLE STRAP	FLHTK, FLHTK SHRINE
17	12500018	CABLE STRAP	FLHTK, FLHTK SHRINE
18	69200238	TERMINAL, insulated (2)	FLHTK, FLHTK SHRINE
19	69200272	HOUSING, two-way pin (black)	FLHTK, FLHTK SHRINE
20	69201301	WIRE SEAL, 20-22 AWG (green) (3)	FLHTK, FLHTK SHRINE
21	69201406	HOUSING, three-way socket (black)	FLHTK, FLHTK SHRINE
22	69201407	TERMINAL, socket, 20 AWG (3)	FLHTK, FLHTK SHRINE
23	69201423	DC LEAD ASSEMBLY	FLHTK, FLHTK SHRINE
24	72632-10	PLUG, weather, four-way pin	FLHTK, FLHTK SHRINE
25	72343-10	TERMINAL, pin, 16-20 AWG (2)	FLHTK, FLHTK SHRINE
26	69201722	ANCHOR	FLHTK, FLHTK SHRINE

WIRING HARNESS, MAIN - FLHTK (9 OF 10)



VIEW INTERACTIVE IMAGE

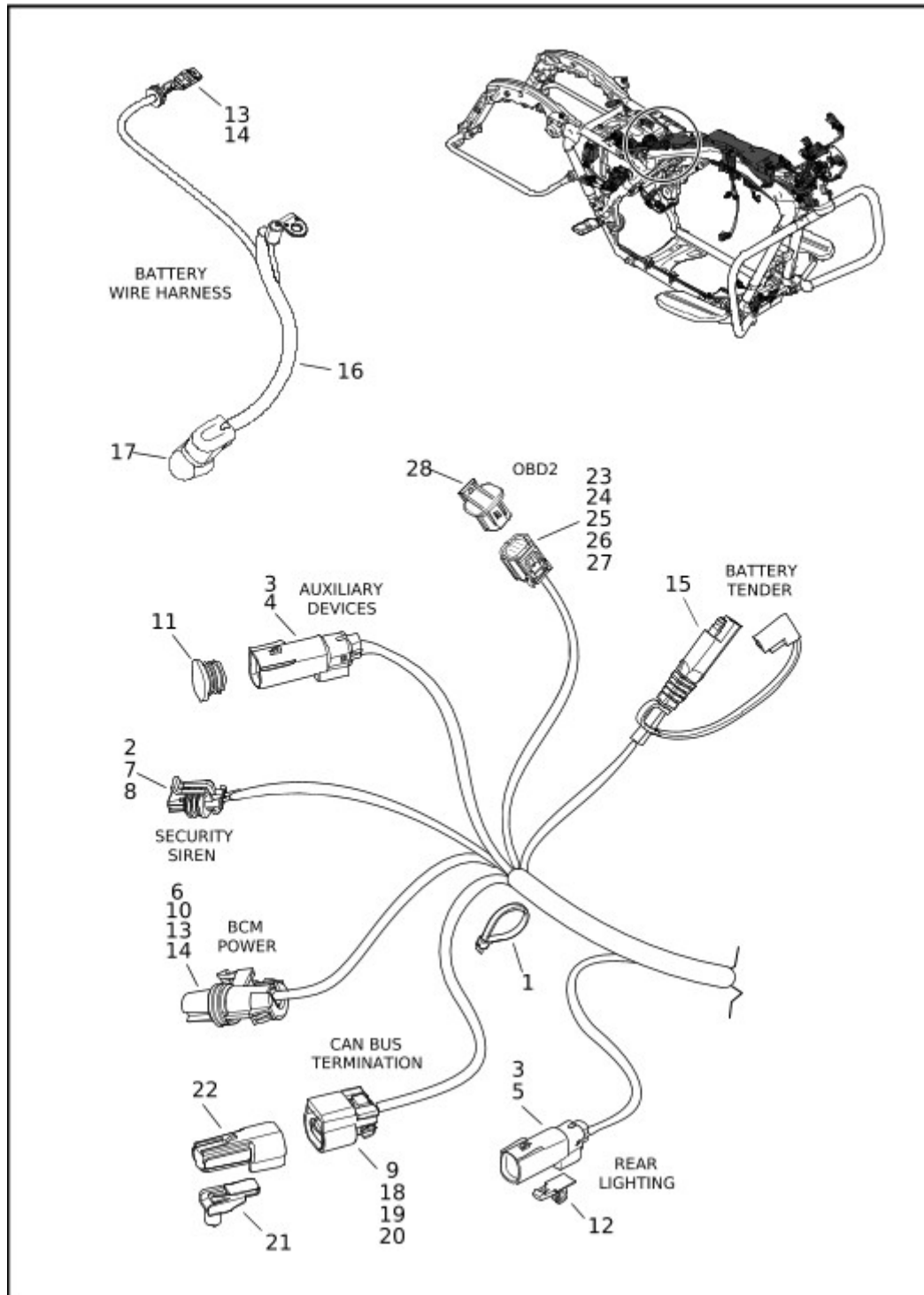
[View interactive table](#)

INDEX NO.	PART NO.	DESCRIPTION	MODEL(S)
	69202229	MAIN WIRING HARNESS	FLHTK, FLHTK SHRINE
NOTE: Includes the following parts.			
1	10006	CABLE STRAP (2)	FLHTK, FLHTK

INDEX NO.	PART NO.	DESCRIPTION	MODEL(S)
			SHRINE
2	10065	CABLE STRAP	FLHTK, FLHTK SHRINE
3	31586-07	RELAY (2)	FLHTK, FLHTK SHRINE
4	72081-11	HOUSING, 48-way socket (black)	FLHTK, FLHTK SHRINE
5	72209-11	COVER, wire dress	FLHTK, FLHTK SHRINE
6	72222-11	TERMINAL, socket, 18-20 AWG (20)	FLHTK, FLHTK SHRINE
7	72226-11	TERMINAL, socket, 14-16 AWG	FLHTK, FLHTK SHRINE
8	72227-11	TERMINAL, socket, 18-20 AWG (5)	FLHTK, FLHTK SHRINE
9	72256-11	SEAL PIN (10)	FLHTK, FLHTK SHRINE
10	72296-95	TERMINAL, socket, 14-16 AWG (3)	FLHTK, FLHTK SHRINE
11	72298-95	PLUG, cavity (3)	FLHTK, FLHTK SHRINE
12	72299-95	SEAL PIN (green) (2)	FLHTK, FLHTK SHRINE
13	72308-97	TERMINAL, socket, 12-14 AWG (5)	FLHTK, FLHTK SHRINE
14	72330-95	FUSE, 15 A (blue)	FLHTK, FLHTK SHRINE
15	72331-95	FUSE, 5 A (tan) (2)	FLHTK, FLHTK SHRINE
16	72345-02	FUSE, 20 A (yellow) (3)	FLHTK, FLHTK SHRINE
17	72356-95	TERMINAL, socket, 18-20 AWG (16)	FLHTK, FLHTK SHRINE
18	72412-97	WIRE SEAL, 12-14 AWG (gray) (5)	FLHTK, FLHTK SHRINE
19	73301-04	HOUSING, two-way pin (black)	FLHTK, FLHTK SHRINE
20	73303-04	SECONDARY LOCK, two-way socket (black)	FLHTK, FLHTK SHRINE

INDEX NO.	PART NO.	DESCRIPTION	MODEL(S)
21	73304-04	TERMINAL, socket, 10 AWG	FLHTK, FLHTK SHRINE
22	73305-04	SEAL WIRE, 10 AWG (blue)	FLHTK, FLHTK SHRINE
23	11100115	CLOTH, harness wrap, 50 m (not shown)	FLHTK, FLHTK SHRINE
24	69200194	HOUSING, 24-way socket	FLHTK, FLHTK SHRINE
25	69200199	WIRE SEAL, 18-20 AWG (14)	FLHTK, FLHTK SHRINE
26	69200293	FUSE, 7.5 A (brown) (2)	FLHTK, FLHTK SHRINE
27	69200312	SECONDARY LOCK, 24-way socket (3)	FLHTK, FLHTK SHRINE
28	69200336A	MAIN FUSE, 50 A (red), NOTE: Fuse is sold separately and is not part of main harness.	FLHTK, FLHTK SHRINE
29	69201411	COVER, fuse block	FLHTK, FLHTK SHRINE

WIRING HARNESS, MAIN - FLHTK (10 OF 10)



VIEW INTERACTIVE IMAGE

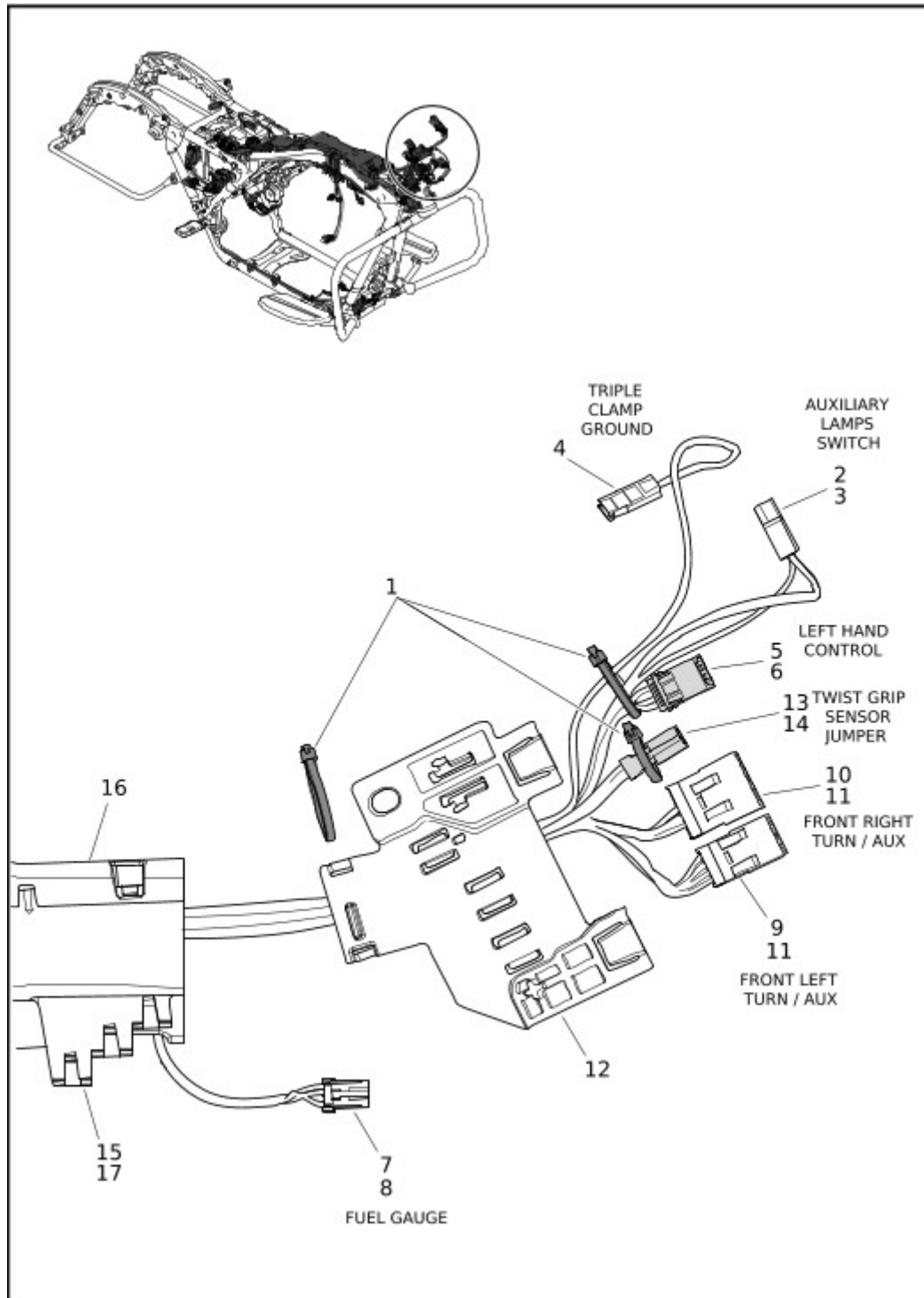
[View interactive table](#)

INDEX NO.	PART NO.	DESCRIPTION	MODEL(S)
	69202229	MAIN WIRING HARNESS	FLHTK, FLHTK SHRINE
NOTE: Includes the following parts.			
1	10065	CABLE STRAP	FLHTK, FLHTK

INDEX NO.	PART NO.	DESCRIPTION	MODEL(S)
			SHRINE
2	72064-06	HOUSING, three-way socket (black)	FLHTK, FLHTK SHRINE
3	72169-07	TERMINAL, pin, 16-20 AWG (10)	FLHTK, FLHTK SHRINE
4	72175-07BK	HOUSING, four-way pin (gray)	FLHTK, FLHTK SHRINE
5	72188-07BK	HOUSING, six-way pin (black)	FLHTK, FLHTK SHRINE
6	72350-11	HOUSING, one-way socket (black)	FLHTK, FLHTK SHRINE
7	72484-08	TERMINAL, socket, 20 AWG (3)	FLHTK, FLHTK SHRINE
8	72486-08	WIRE SEAL, 20 AWG (green) (3)	FLHTK, FLHTK SHRINE
9	72499-07	WIRE SEAL, 20-22 AWG (green) (2)	FLHTK, FLHTK SHRINE
10	72575-11	SECONDARY LOCK, one-way socket (black)	FLHTK, FLHTK SHRINE
11	72632-10	PLUG, weather, four-way pin	FLHTK, FLHTK SHRINE
12	73213-07	RETAINER, anchored	FLHTK, FLHTK SHRINE
13	73304-04	TERMINAL, socket, 10 AWG (2)	FLHTK, FLHTK SHRINE
14	73305-04	SEAL WIRE, 10 AWG (blue) (2)	FLHTK, FLHTK SHRINE
15	69200212	HARNESS, battery tender	FLHTK, FLHTK SHRINE
16	69201130	WIRE HARNESS, battery positive to starter, with 73304-04, 73305-04 and 69201307	FLHTK, FLHTK SHRINE
17	69201307	BOOT, battery positive	FLHTK, FLHTK SHRINE
18	69201396	TERMINAL, socket, 20 AWG (2)	FLHTK, FLHTK SHRINE
19	69201400	HOUSING, two-way socket (black)	FLHTK, FLHTK SHRINE
20	69201401	SECONDARY LOCK, two-way socket	FLHTK, FLHTK SHRINE

INDEX NO.	PART NO.	DESCRIPTION	MODEL(S)
21	69201404	CONNECTOR, anchored	FLHTK, FLHTK SHRINE
22	69201405	RESISTOR PACK	FLHTK, FLHTK SHRINE
23	69202098	HOUSING, six-way socket (red)	FLHTK, FLHTK SHRINE
24	69202109	SECONDARY LOCK, six-way	FLHTK, FLHTK SHRINE
25	69202107	SEAL PIN (Lt. Gray) (2)	FLHTK, FLHTK SHRINE
26	69202104	TERMINAL, socket 22AWG (4)	FLHTK, FLHTK SHRINE
27	69202106	WIRE SEAL (4)	FLHTK, FLHTK SHRINE
28	69202108	CAP	FLHTK, FLHTK SHRINE

WIRING HARNESS, MAIN - FLHR, FLHRXS (1 OF 10)



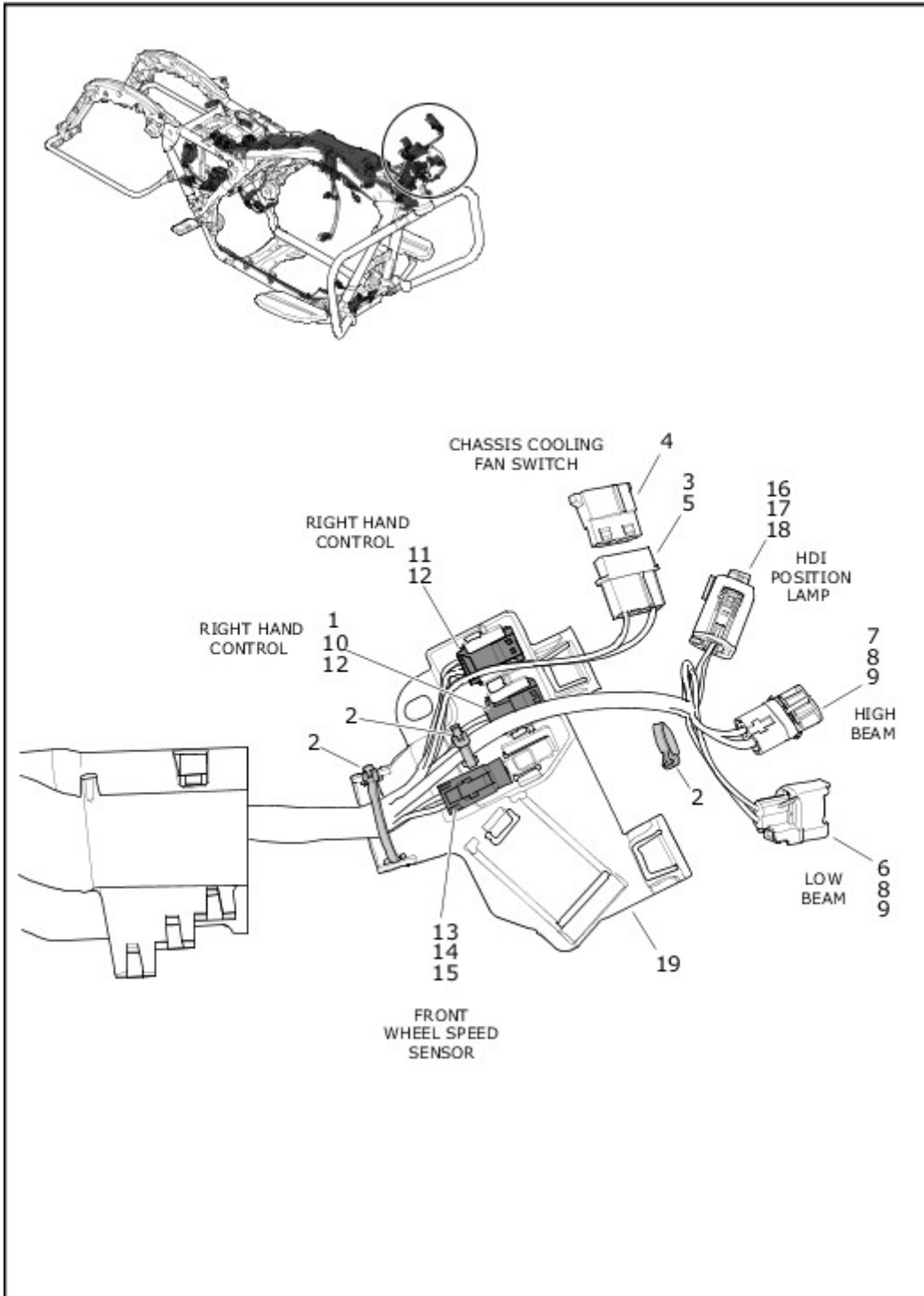
VIEW INTERACTIVE IMAGE

[View interactive table](#)

INDEX NO.	PART NO.	DESCRIPTION	MODEL(S)
	69202225	MAIN WIRING HARNESS	FLHR, FLHRXS
NOTE: Includes the following parts.			
1	10065	CABLE STRAP (3)	FLHR, FLHRXS
2	70291-89	HOUSING, four-way pin	FLHR, FLHRXS

INDEX NO.	PART NO.	DESCRIPTION	MODEL(S)
3	72039-71A	TERMINAL, pin (3)	FLHR, FLHRXS
4	72364-06	TERMINAL, insulated	FLHR, FLHRXS
5	72907-11	HOUSING, four-way pin (black)	FLHR, FLHRXS
6	72909-11	TERMINAL, pin, 20-20 AWG (4)	FLHR, FLHRXS
7	72914-01BK	HOUSING, four-way socket (black)	FLHR, FLHRXS
8	72991-01	TERMINAL, socket, 18-22 AWG (3)	FLHR, FLHRXS
9	73104-96BK	HOUSING, four-way pin (black)	FLHR, FLHRXS
10	73106-96BK	HOUSING, six-way pin (black)	FLHR, FLHRXS
11	73190-96	TERMINAL, pin, 16-20 AWG (8)	FLHR, FLHRXS
12	69200284A	CADDY, left steer head	FLHR, FLHRXS
13	69201163	HOUSING, six-way pin (black)	FLHR, FLHRXS
14	69201164	TERMINAL, pin, 22 AWG (6)	FLHR, FLHRXS
15	69202720	WIRE TROUGH, with 69202637	FLHR, FLHRXS
16	69202636	COVER, wire trough	FLHR, FLHRXS
17	69202637	CLIP (2)	FLHR, FLHRXS

WIRING HARNESS, MAIN - FLHR, FLHRXS (2 OF 10)



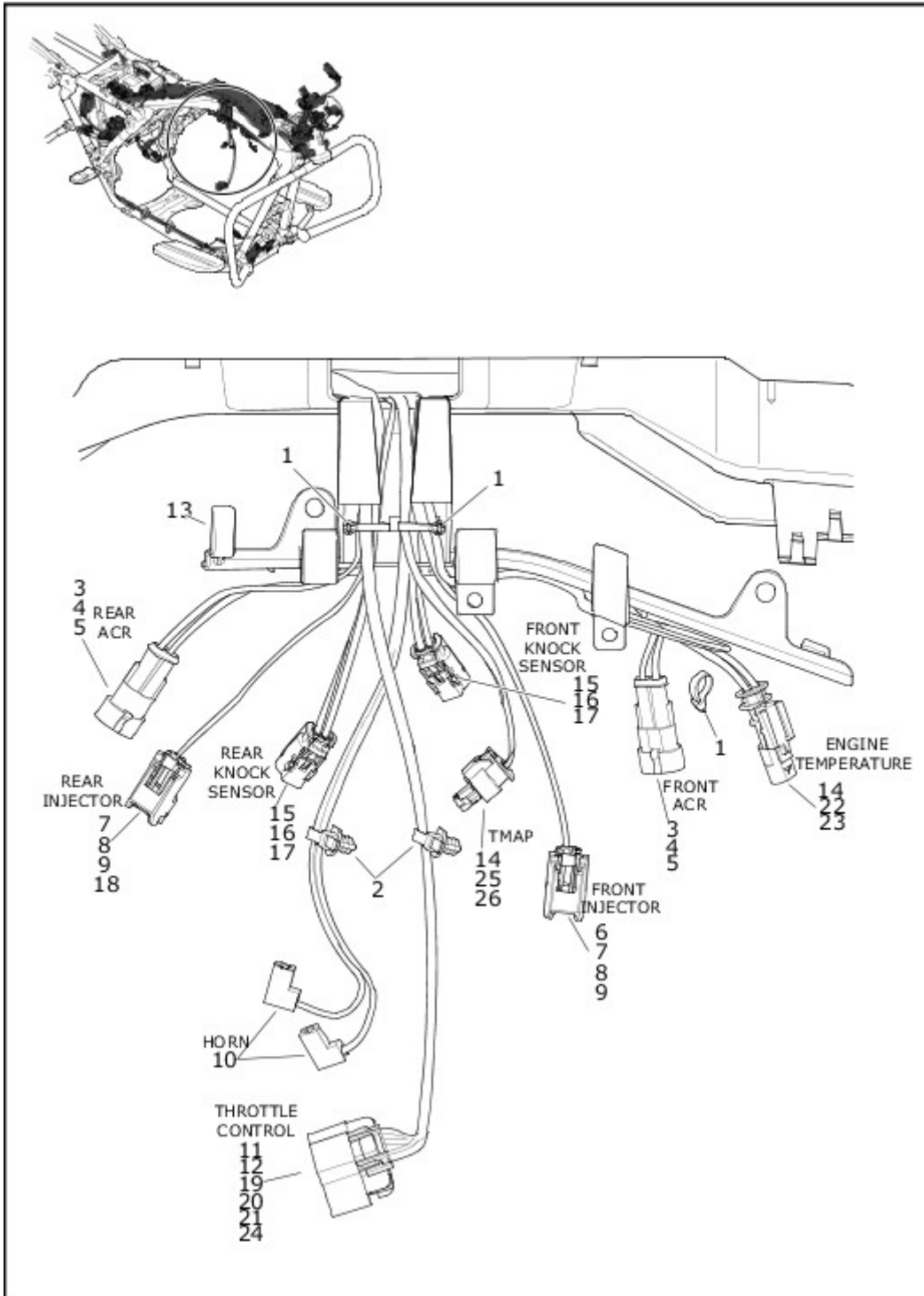
VIEW INTERACTIVE IMAGE

[View interactive table](#)

INDEX NO.	PART NO.	DESCRIPTION	MODEL(S)
	69202225	MAIN WIRING HARNESS	FLHR, FLHRXS
NOTE: Includes the following parts.			
1	5118	SEAL PIN	FLHR, FLHRXS
2	10065	CABLE STRAP (3)	FLHR, FLHRXS

INDEX NO.	PART NO.	DESCRIPTION	MODEL(S)
3	70291-89	HOUSING, four-way pin	FLHR, FLHRXS
4	70292-89	HOUSING, four-way socket	FLHR, FLHRXS
5	72039-71A	TERMINAL, pin (2)	FLHR, FLHRXS
6	72449-01	HOUSING, two-way socket (black)	FLHR, FLHRXS
7	72450-01	HOUSING, two-way socket (gray)	FLHR, FLHRXS
8	72527-01	TERMINAL, socket, 18-20 AWG (4)	FLHR, FLHRXS
9	72633-02	WIRE SEAL, 14-16 AWG (white) (4)	FLHR, FLHRXS
10	72905-11	HOUSING, two-way pin (black)	FLHR, FLHRXS
11	72907-11	HOUSING, four-way pin (black)	FLHR, FLHRXS
12	72909-11	TERMINAL, pin, 20-22 AWG (5)	FLHR, FLHRXS
13	74112-98BK	HOUSING, two-way socket (black)	FLHR, FLHRXS
14	74152-98	SECONDARY LOCK, two-way socket	FLHR, FLHRXS
15	74191-98	TERMINAL, socket, 16-20 AWG (2)	FLHR, FLHRXS
16	69200220	HOUSING, two-way socket (black)	FLHR, FLHRXS
17	69200221	TERMINAL, socket, 18-20 AWG (2)	FLHR, FLHRXS
18	69200222	WIRE SEAL, 16 AWG (green) (2)	FLHR, FLHRXS
19	69200285	CADDY, right steer head	FLHR, FLHRXS

WIRING HARNESS, MAIN - FLHR, FLHRXS (3 OF 10)



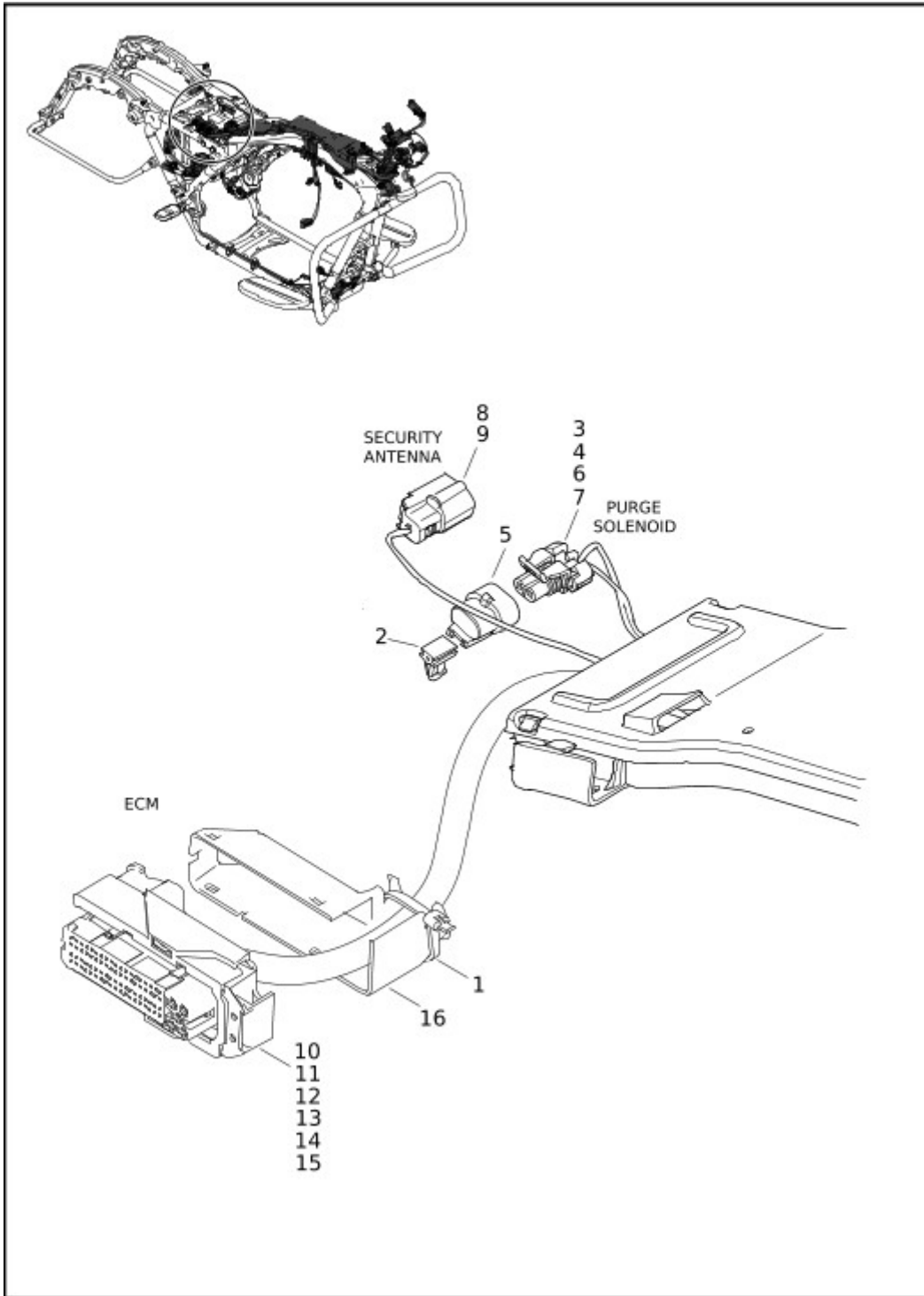
VIEW INTERACTIVE IMAGE

[View interactive table](#)

INDEX NO.	PART NO.	DESCRIPTION	MODEL(S)
	69202225	MAIN WIRING HARNESS	FLHR, FLHRXS
NOTE: Includes the following parts.			
1	10065	CABLE STRAP (3)	FLHR, FLHRXS
2	10177	CABLE STRAP, anchored (2)	FLHR, FLHRXS

INDEX NO.	PART NO.	DESCRIPTION	MODEL(S)
3	72008-05	TERMINAL, pin, 20-22 AWG (4)	FLHR, FLHRXS
4	72009-05	HOUSING, two-way pin (black) (2)	FLHR, FLHRXS
5	72010-05	WIRE SEAL, 22-26 AWG (green) (4)	FLHR, FLHRXS
6	72098-06	HOUSING, two-way socket (gray)	FLHR, FLHRXS
7	72099-06	WIRE SEAL, 16-18 AWG (blue) (4)	FLHR, FLHRXS
8	72110-06	TERMINAL, socket, 16-18 AWG (4)	FLHR, FLHRXS
9	72145-06	SECONDARY LOCK, two-way socket (2)	FLHR, FLHRXS
10	72283-09	TERMINAL, socket, 14-16 AWG, 90 degree (2)	FLHR, FLHRXS
11	72499-07	WIRE SEAL, 20-22 AWG (green) (6)	FLHR, FLHRXS
12	72569-08	TERMINAL, socket, 20-22 AWG (2)	FLHR, FLHRXS
13	69201287	BRACKET, mounting	FLHR, FLHRXS
14	69201301	WIRE SEAL, 20-22 AWG (green) (6)	FLHR, FLHRXS
15	69201390	HOUSING, two-way socket (black) (2)	FLHR, FLHRXS
16	69201391	TERMINAL, socket, 20 AWG (4)	FLHR, FLHRXS
17	69201392	WIRE SEAL, 20 AWG (yellow) (4)	FLHR, FLHRXS
18	69201393	HOUSING, two-way socket (black)	FLHR, FLHRXS
19	69201394	HOUSING, six-way socket (black)	FLHR, FLHRXS
20	69201395	SECONDARY LOCK, six-way socket	FLHR, FLHRXS
21	69201396	TERMINAL, socket, 20 AWG (4)	FLHR, FLHRXS
22	69201397	HOUSING, two-way pin (gray)	FLHR, FLHRXS
23	69201398	TERMINAL, pin, 20 AWG (2)	FLHR, FLHRXS
24	69201416	SECONDARY LOCK, 6-way socket	FLHR, FLHRXS
25	69201441	HOUSING, four-way socket	FLHR, FLHRXS
26	69201442	TERMINAL, socket, 18 AWG (4)	FLHR, FLHRXS

WIRING HARNESS, MAIN - FLHR, FLHRXS (4 OF 10)



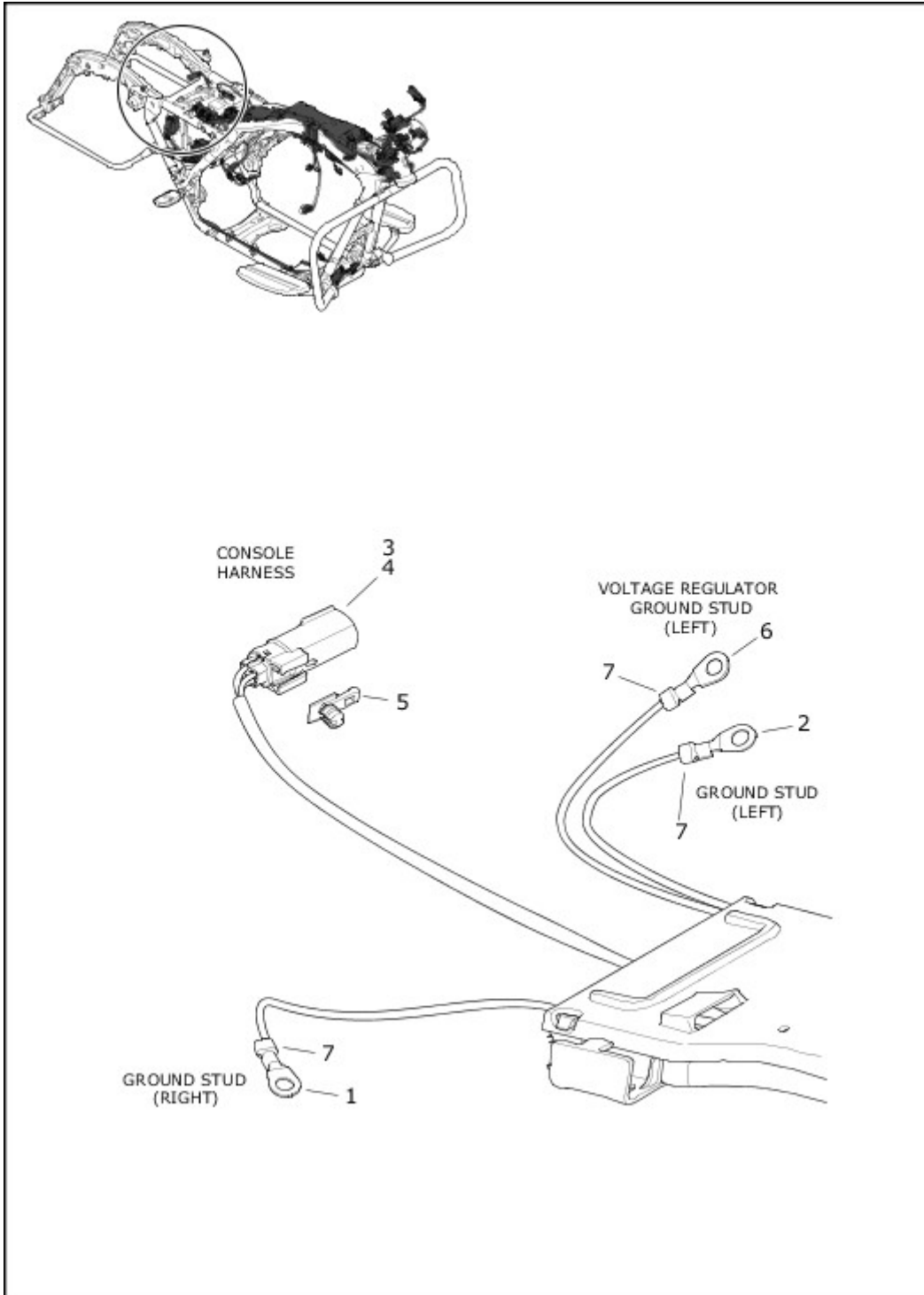
VIEW INTERACTIVE IMAGE

View interactive table

INDEX NO.	PART NO.	DESCRIPTION	MODEL(S)
	69202225	MAIN WIRING HARNESS	FLHR, FLHRXS
NOTE: Includes the following parts.			
1	10065	CABLE STRAP	FLHR, FLHRXS
2	10147	CLIP, connector	FLHR, FLHRXS

INDEX NO.	PART NO.	DESCRIPTION	MODEL(S)
3	72213-94	TERMINAL, socket, 16-20 AWG (2)	FLHR, FLHRXS
4	72518-01	HOUSING, two-way socket (red)	FLHR, FLHRXS
5	72533-06	DUST CAP, two-way connector	FLHR, FLHRXS
6	72609-08	SECONDARY LOCK, two-way socket (black)	FLHR, FLHRXS
7	72610-08	WIRE SEAL, 18-20 AWG (white) (2)	FLHR, FLHRXS
8	72720-07	HOUSING, two-way socket (black)	FLHR, FLHRXS
9	72721-07	TERMINAL, socket, 18-20 AWG (2)	FLHR, FLHRXS
10	69202322	HOUSING, 81-way socket	FLHR, FLHRXS
11	69202032	SECONDARY LOCK	FLHR, FLHRXS
12	69201890	TERMINAL, socket (4)	FLHR, FLHRXS
13	69202453	TERMINAL, pin (40)	FLHR, FLHRXS
14	69202028	TERMINAL, pin (37)	FLHR, FLHRXS
15	69202031	WIRE SEAL (4)	FLHR, FLHRXS
16	69202323	COVER	FLHR, FLHRXS

WIRING HARNESS, MAIN - FLHR, FLHRXS (5 OF 10)



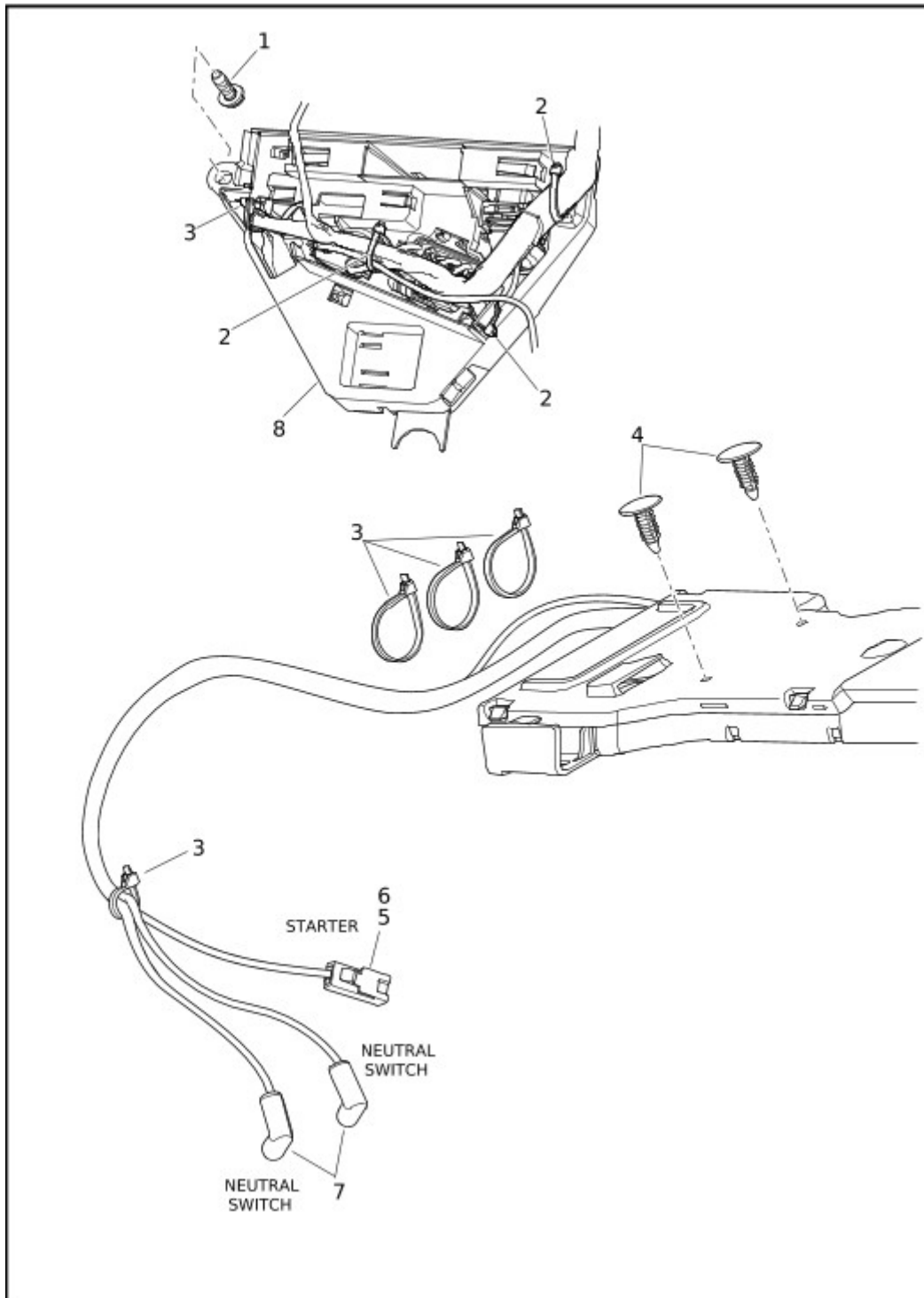
VIEW INTERACTIVE IMAGE

View interactive table

INDEX NO.	PART NO.	DESCRIPTION	MODEL(S)
	69202225	MAIN WIRING HARNESS	FLHR, FLHRXS
NOTE: Includes the following parts.			
1	9819	TERMINAL, 1/4 in ring, 12 AWG	FLHR, FLHRXS
2	9825	TERMINAL, ring, 14-18 AWG	FLHR, FLHRXS

INDEX NO.	PART NO.	DESCRIPTION	MODEL(S)
3	72169-07	TERMINAL, pin, 16-20 AWG (18)	FLHR, FLHRXS
4	72478-07BK	HOUSING, eight-way pin (black)	FLHR, FLHRXS
5	73213-07	RETAINER, anchored	FLHR, FLHRXS
6	69201596	TERMINAL, ring, 8-10 AWG	FLHR, FLHRXS
7	69202219	HEAT SHRINK TUBE, .415 x 1 (black)	FLHR, FLHRXS

WIRING HARNESS, MAIN - FLHR, FLHRXS (6 OF 10)



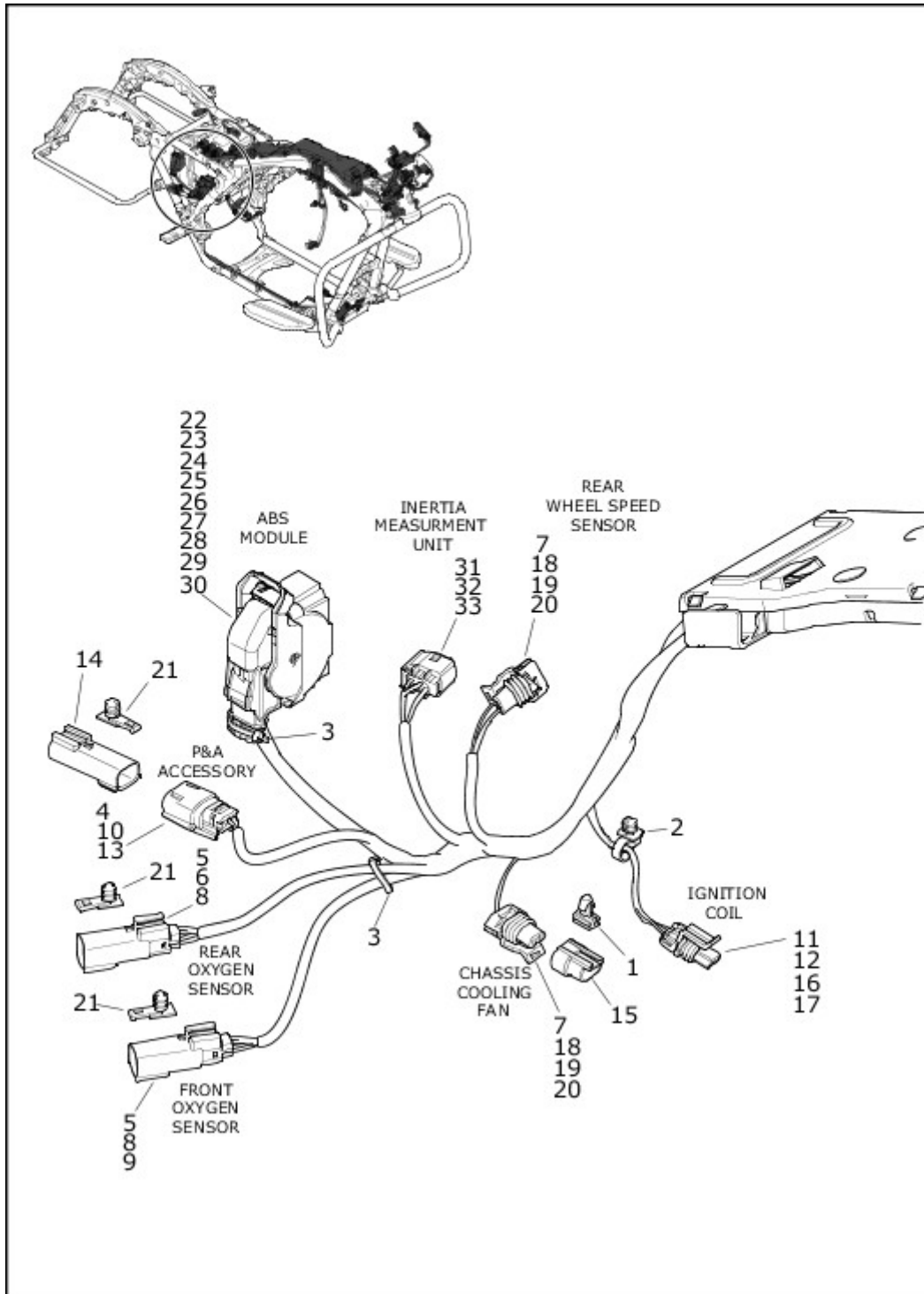
VIEW INTERACTIVE IMAGE

[View interactive table](#)

INDEX NO.	PART NO.	DESCRIPTION	MODEL(S)
1	3634	SCREW (2)	FLHR, FLHRXS
	69202225	MAIN WIRING HARNESS	FLHR, FLHRXS
NOTE: Includes the following parts.			
2	10006	CABLE STRAP (3)	FLHR, FLHRXS

INDEX NO.	PART NO.	DESCRIPTION	MODEL(S)
3	10065	CABLE STRAP (5)	FLHR, FLHRXS
4	11779	FASTENER, push-in (black) (2)	FLHR, FLHRXS
5	72291-94	TERMINAL, socket, 14-16 AWG	FLHR, FLHRXS
6	72295-94	CONNECTOR, starter housing	FLHR, FLHRXS
7	72405-98BK	WIRE ASSEMBLY, push-on, right angle molded, 65-1/2 in length (2)	FLHR, FLHRXS
8	69200175	CADDY, fuse block, electrical panel	FLHR, FLHRXS

WIRING HARNESS, MAIN - FLHR, FLHRXS (7 OF 10)



VIEW INTERACTIVE IMAGE

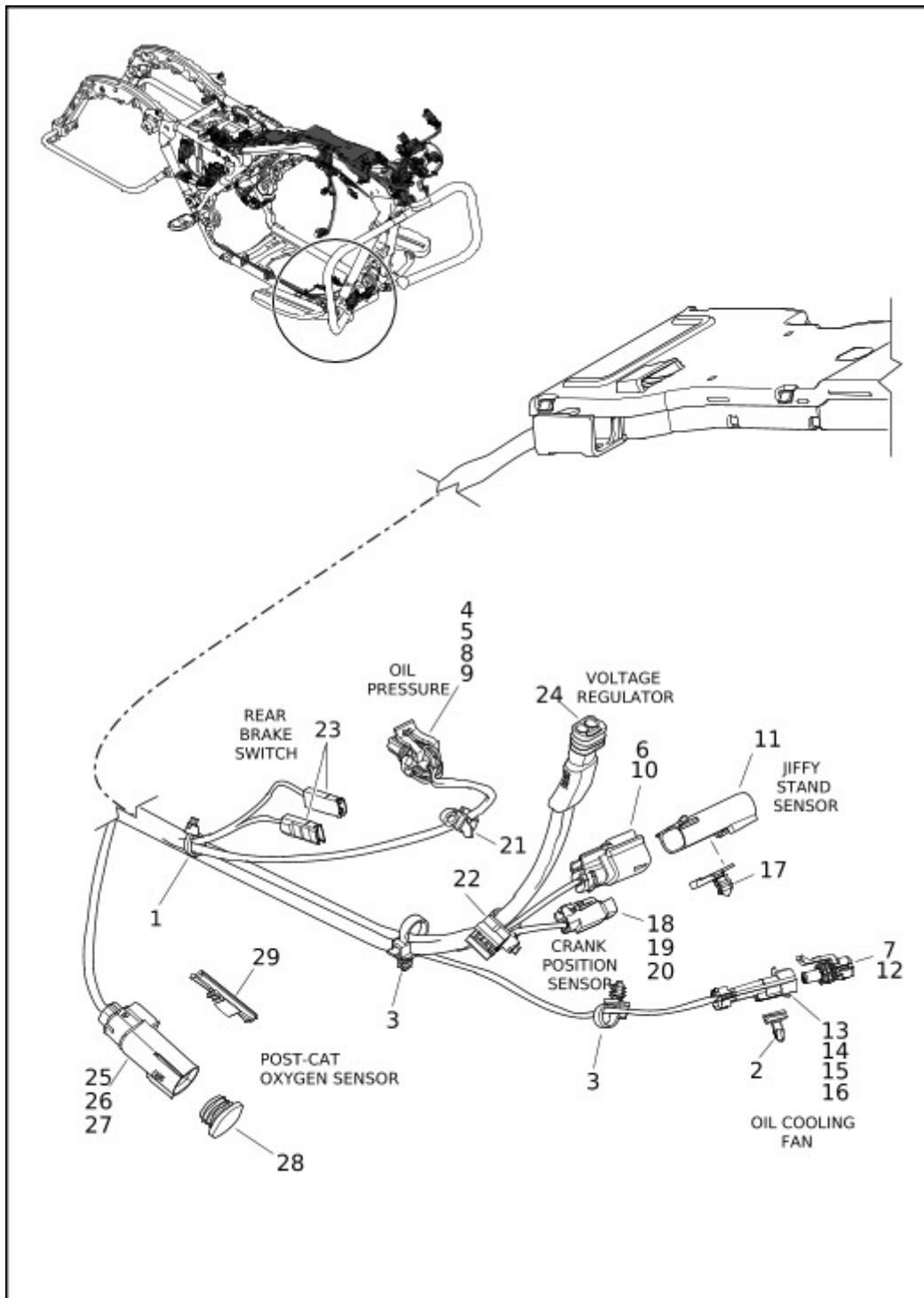
View interactive table

INDEX NO.	PART NO.	DESCRIPTION	MODEL(S)
	69202225	MAIN WIRING HARNESS	FLHR, FLHRXS
NOTE: Includes the following parts.			
1	10147	CLIP	FLHR, FLHRXS
2	10177	CABLE STRAP, anchored	FLHR, FLHRXS

INDEX NO.	PART NO.	DESCRIPTION	MODEL(S)
3	10065	CABLE STRAP (2)	FLHR, FLHRXS
4	72168-07	TERMINAL, socket, 18-20 AWG (2)	FLHR, FLHRXS
5	72169-07	TERMINAL, pin, 16-20 AWG (4)	FLHR, FLHRXS
6	72175-07BK	HOUSING, four-way pin (black)	FLHR, FLHRXS
7	72213-94	TERMINAL, socket, 16-20 AWG (4)	FLHR, FLHRXS
8	72343-10	TERMINAL, pin, 16-20 AWG (4)	FLHR, FLHRXS
9	72415-07GY	HOUSING, four-way pin (gray)	FLHR, FLHRXS
10	72473-07	SEAL PIN, natural	FLHR, FLHRXS
11	72484-08	TERMINAL, socket, 20 AWG (3)	FLHR, FLHRXS
12	72486-08	WIRE SEAL, 20 AWG (green) (3)	FLHR, FLHRXS
13	72512-07BK	HOUSING, three-way socket (black)	FLHR, FLHRXS
14	72519-09BK	DUST CAP, three-way socket (black)	FLHR, FLHRXS
15	72533-06	PLUG, weather, two-way pin	FLHR, FLHRXS
16	72544-07	SECONDARY LOCK, three-way socket	FLHR, FLHRXS
17	72589-09	HOUSING, three-way socket (black)	FLHR, FLHRXS
18	72606-08	HOUSING, two-way socket (black) (2)	FLHR, FLHRXS
19	72609-08	SECONDARY LOCK, two-way socket (2)	FLHR, FLHRXS
20	72610-08	WIRE SEAL, 18-20 AWG (white) (4)	FLHR, FLHRXS
21	73213-07	RETAINER, anchored (3)	FLHR, FLHRXS
22	69200183	HOUSING, 26-way socket	FLHR, FLHRXS
23	69200184	COVER, 26-way socket	FLHR, FLHRXS
24	69200185	TERMINAL, socket, 20 AWG (6)	FLHR, FLHRXS
25	69200186	TERMINAL, socket, 14-16 AWG (2)	FLHR, FLHRXS
26	69200187	TERMINAL, socket, 12 AWG (2)	FLHR, FLHRXS
27	69200188	WIRE SEAL, 20 AWG (gray) (6)	FLHR, FLHRXS
28	69200189	WIRE SEAL, 14-16 AWG (brown) (2)	FLHR, FLHRXS
29	69200190	WIRE SEAL, 12 AWG (blue) (2)	FLHR, FLHRXS
30	69200191	SEAL PIN (16)	FLHR, FLHRXS
31	69201301	WIRE SEAL, 20-22 AWG (green) (4)	FLHR, FLHRXS

INDEX NO.	PART NO.	DESCRIPTION	MODEL(S)
32	69201814	TERMINAL, socket (4)	FLHR, FLHRXS
33	69201779	HOUSING, four-way (black)	FLHR, FLHRXS

WIRING HARNESS, MAIN - FLHR, FLHRXS (8 OF 10)



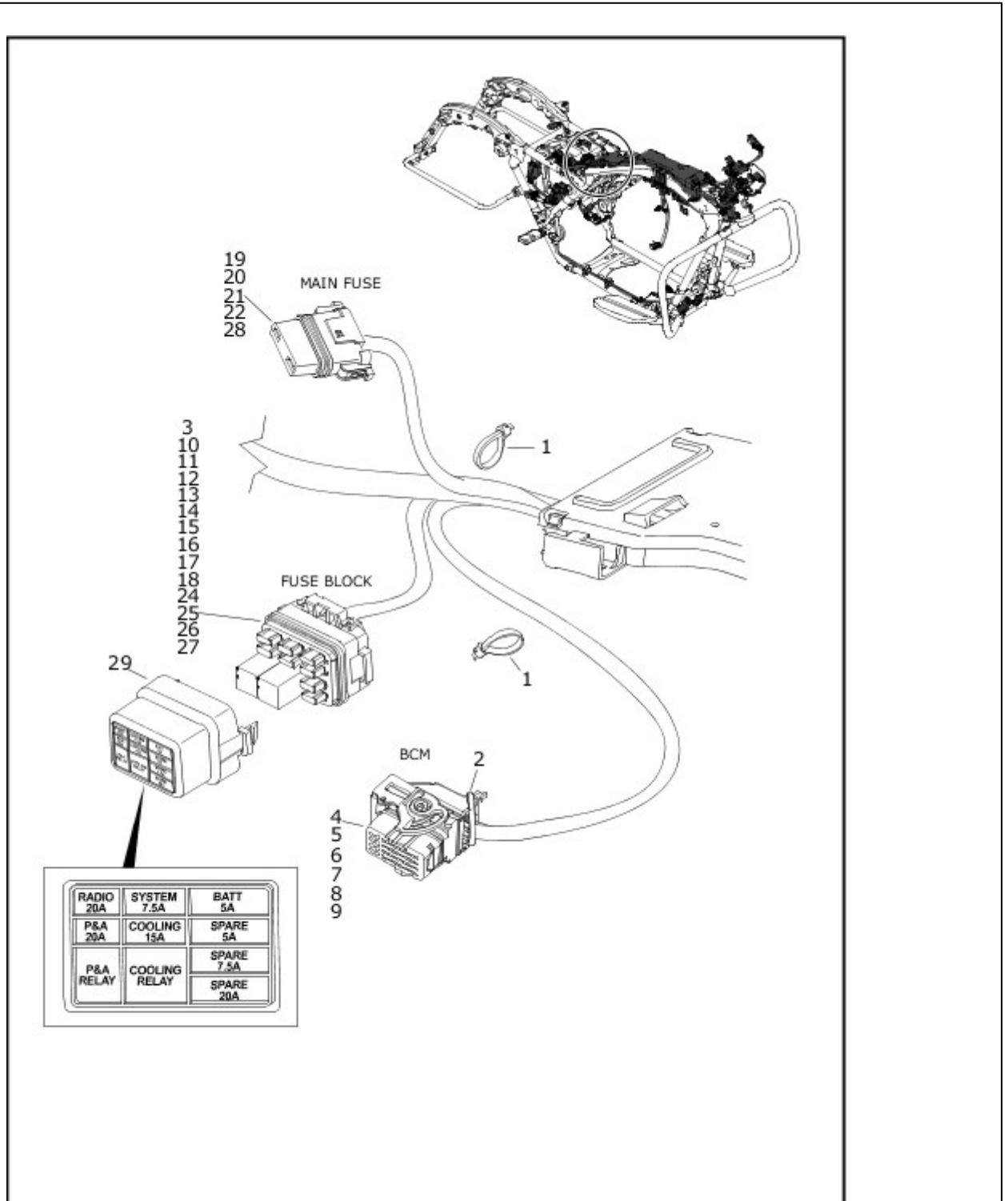
[VIEW INTERACTIVE IMAGE](#)

[View interactive table](#)

INDEX NO.	PART NO.	DESCRIPTION	MODEL(S)
	69202225	MAIN WIRING HARNESS	FLHR, FLHRXS
NOTE: Includes the following parts.			
1	10065	CABLE STRAP	FLHR, FLHRXS
2	10147	CLIP, connector	FLHR, FLHRXS
3	10177	CABLE STRAP, anchored (2)	FLHR, FLHRXS
4	72065-06A	HOUSING, three-way socket (black)	FLHR, FLHRXS
5	72127-06	SECONDARY LOCK, three-way socket	FLHR, FLHRXS
6	72168-07	TERMINAL, socket, 18-20 AWG (3)	FLHR, FLHRXS
7	72232-96	SEAL PIN (red) (2)	FLHR, FLHRXS
8	72484-08	TERMINAL, socket, 20 AWG (3)	FLHR, FLHRXS
9	72486-08	WIRE SEAL, 20 AWG (green) (3)	FLHR, FLHRXS
10	72512-07BK	HOUSING, three-way socket (black)	FLHR, FLHRXS
11	72519-09BK	DUST CAP, three-way socket (black)	FLHR, FLHRXS
12	72606-08	HOUSING, two-way socket (black)	FLHR, FLHRXS
13	72607-08	HOUSING, two-way pin (black)	FLHR, FLHRXS
14	72608-08	TERMINAL, pin, 16-20 AWG (2)	FLHR, FLHRXS
15	72609-08	SECONDARY LOCK, two-way socket	FLHR, FLHRXS
16	72610-08	WIRE SEAL, 18-20 AWG (white) (2)	FLHR, FLHRXS
17	73213-07	RETAINER, anchored	FLHR, FLHRXS
18	74112-98BK	HOUSING, two-way socket (black)	FLHR, FLHRXS
19	74152-98	SECONDARY LOCK, two-way socket	FLHR, FLHRXS
20	74191-98	TERMINAL, socket, 16-20 AWG (2)	FLHR, FLHRXS
21	12500014	CABLE STRAP	FLHR, FLHRXS
22	12500018	CABLE STRAP	FLHR, FLHRXS
23	69200238	TERMINAL, insulated (2)	FLHR, FLHRXS
24	69201423	DC LEAD ASSEMBLY	FLHR, FLHRXS
25	72175-07BK	HOUSING, four-way pin (black)	FLHR, FLHRXS
26	72169-07	TERMINAL, pin, 16-20 AWG (2)	FLHR, FLHRXS
27	72343-10	TERMINAL, pin, 16-20 AWG (2)	FLHR, FLHRXS

INDEX NO.	PART NO.	DESCRIPTION	MODEL(S)
28	72632-10	PLUG, weather, four-way pin	FLHR, FLHRXS
29	69201722	ANCHOR	FLHR, FLHRXS

WIRING HARNESS, MAIN - FLHR, FLHRXS (9 OF 10)



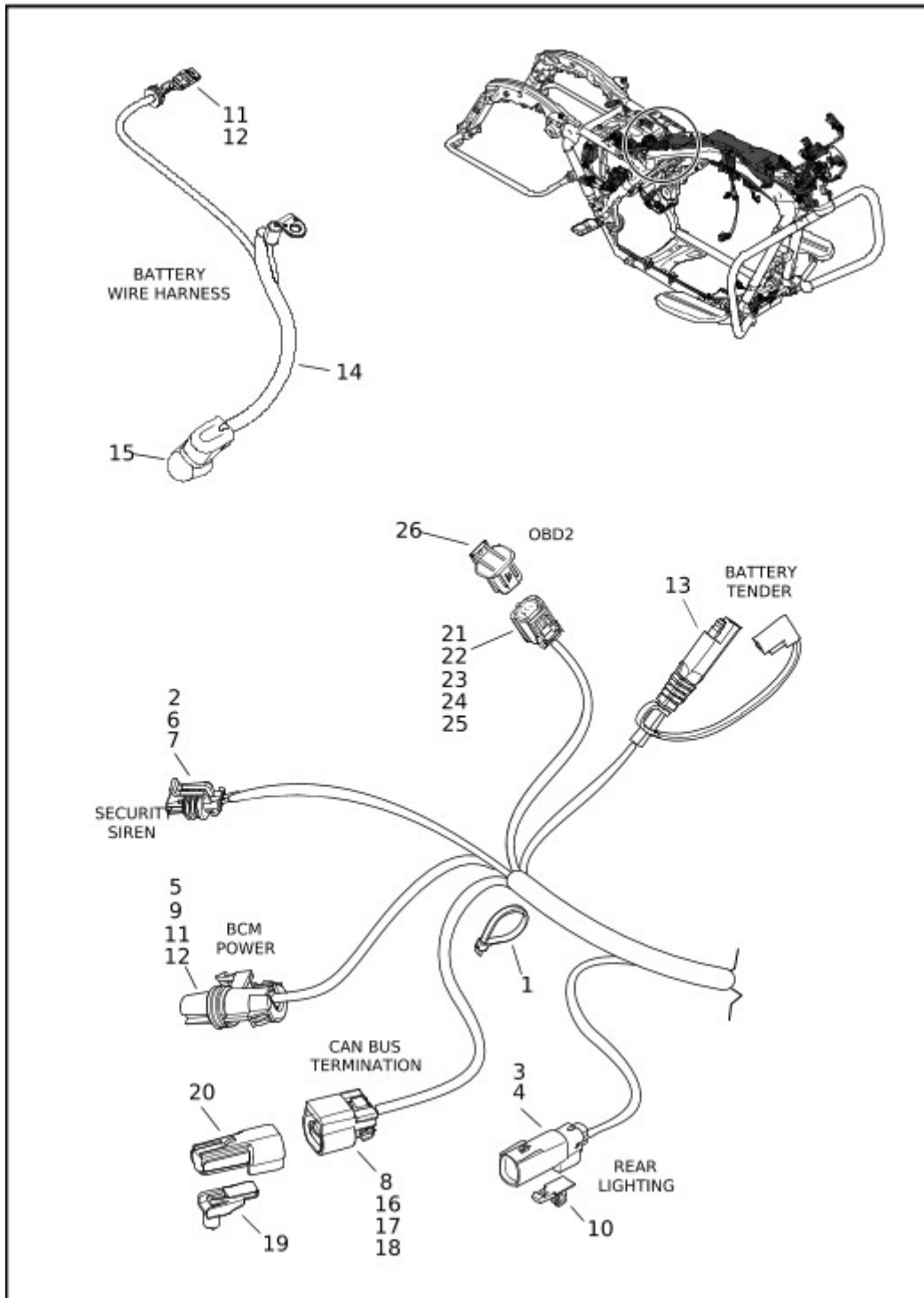
[VIEW INTERACTIVE IMAGE](#)

[View interactive table](#)

INDEX NO.	PART NO.	DESCRIPTION	MODEL(S)
	69202225	MAIN WIRING HARNESS	FLHR, FLHRXS
NOTE: Includes the following parts.			
1	10006	CABLE STRAP (2)	FLHR, FLHRXS
2	10065	CABLE STRAP	FLHR, FLHRXS
3	31586-07	RELAY (2)	FLHR, FLHRXS
4	72081-11	HOUSING, 48-way socket (black)	FLHR, FLHRXS
5	72209-11	COVER, wire dress	FLHR, FLHRXS
6	72222-11	TERMINAL, socket, 18-20 AWG (21)	FLHR, FLHRXS
7	72226-11	TERMINAL, socket, 14-16 AWG (3)	FLHR, FLHRXS
8	72227-11	TERMINAL, socket, 18-20 AWG (3)	FLHR, FLHRXS
9	72256-11	SEAL PIN (10)	FLHR, FLHRXS
10	72296-95	TERMINAL, socket, 14-16 AWG (2)	FLHR, FLHRXS
11	72298-95	PLUG, cavity (2)	FLHR, FLHRXS
12	72299-95	SEAL PIN (green) (4)	FLHR, FLHRXS
13	72308-97	TERMINAL, socket, 12-14 AWG (3)	FLHR, FLHRXS
14	72330-95	FUSE, 15 A (blue)	FLHR, FLHRXS
15	72331-95	FUSE, 5 A (tan) (2)	FLHR, FLHRXS
16	72345-02	FUSE, 20 A (yellow) (2)	FLHR, FLHRXS
17	72356-95	TERMINAL, socket, 18-20 AWG (8)	FLHR, FLHRXS
18	72412-97	WIRE SEAL, 12-14 AWG (gray) (3)	FLHR,

INDEX NO.	PART NO.	DESCRIPTION	MODEL(S)
			FLHRXS
19	73301-04	HOUSING, two-way pin (black)	FLHR, FLHRXS
20	73303-04	SECONDARY LOCK, two-way socket (black)	FLHR, FLHRXS
21	73304-04	TERMINAL, socket, 10 AWG (3)	FLHR, FLHRXS
22	73305-04	SEAL WIRE, 10 AWG (blue) (3)	FLHR, FLHRXS
23	11100115	CLOTH, harness wrap, 50 m (not shown)	FLHR, FLHRXS
24	69200194	HOUSING, 24-way socket	FLHR, FLHRXS
25	69200199	WIRE SEAL, 18-20 AWG (15)	FLHR, FLHRXS
26	69200293	FUSE, 7.5 A (brown) (2)	FLHR, FLHRXS
27	69200312	SECONDARY LOCK, 24-way socket (3)	FLHR, FLHRXS
28	69200336A	MAIN FUSE, 50 A (red), NOTE: Fuse is sold separately and is not part of main harness.	FLHR, FLHRXS
29	69201411	COVER, fuse block	FLHR, FLHRXS

WIRING HARNESS, MAIN - FLHR, FLHRXS (10 OF 10)



VIEW INTERACTIVE IMAGE

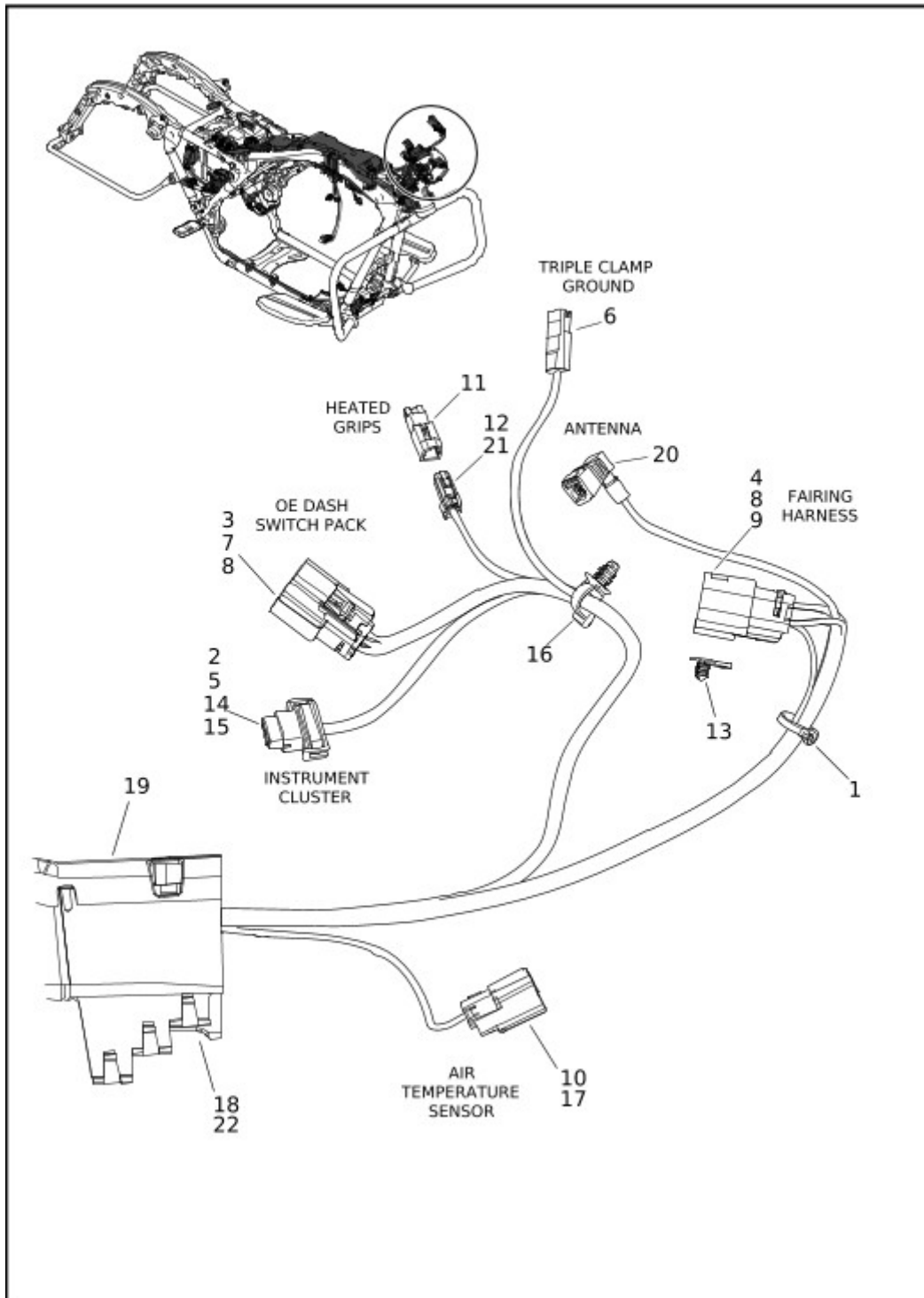
[View interactive table](#)

INDEX NO.	PART NO.	DESCRIPTION	MODEL(S)
	69202225	MAIN WIRING HARNESS	FLHR, FLHRXS
NOTE: Includes the following parts.			
1	10065	CABLE STRAP	FLHR,

INDEX NO.	PART NO.	DESCRIPTION	MODEL(S)
			FLHRXS
2	72064-06	HOUSING, three-way socket (black)	FLHR, FLHRXS
3	72169-07	TERMINAL, pin, 16-20 AWG (6)	FLHR, FLHRXS
4	72188-07BK	HOUSING, six-way pin (black)	FLHR, FLHRXS
5	72350-11	HOUSING, one-way socket (black)	FLHR, FLHRXS
6	72484-08	TERMINAL, socket, 20 AWG (3)	FLHR, FLHRXS
7	72486-08	WIRE SEAL, 20 AWG (green) (3)	FLHR, FLHRXS
8	72499-07	WIRE SEAL, 20-22 AWG (green) (2)	FLHR, FLHRXS
9	72575-11	SECONDARY LOCK, one-way socket (black)	FLHR, FLHRXS
10	73213-07	RETAINER, anchored	FLHR, FLHRXS
11	73304-04	TERMINAL, socket, 10 AWG (2)	FLHR, FLHRXS
12	73305-04	SEAL WIRE, 10 AWG (blue) (2)	FLHR, FLHRXS
13	69200212	HARNESS, battery tender	FLHR, FLHRXS
14	69201130	WIRE HARNESS, battery positive to starter, with 73304-04, 73305-04 and 69201307	FLHR, FLHRXS
15	69201307	BOOT, battery positive	FLHR, FLHRXS
16	69201396	TERMINAL, socket, 20 AWG (2)	FLHR, FLHRXS
17	69201400	HOUSING, two-way socket (black)	FLHR, FLHRXS
18	69201401	SECONDARY LOCK, two-way socket	FLHR, FLHRXS
19	69201404	CONNECTOR, anchored	FLHR, FLHRXS
20	69201405	RESISTOR PACK	FLHR, FLHRXS

INDEX NO.	PART NO.	DESCRIPTION	MODEL(S)
21	69202098	HOUSING, six-way socket (red)	FLHR, FLHRXS
22	69202109	SECONDARY LOCK, six-way	FLHR, FLHRXS
23	69202107	SEAL PIN (Lt. Gray) (2)	FLHR, FLHRXS
24	69202104	TERMINAL, socket 22AWG (4)	FLHR, FLHRXS
25	69202106	WIRE SEAL (4)	FLHR, FLHRXS
26	69202108	CAP	FLHR, FLHRXS

WIRING HARNESS, MAIN - FLTRX, FLTRXS (1 OF 10)



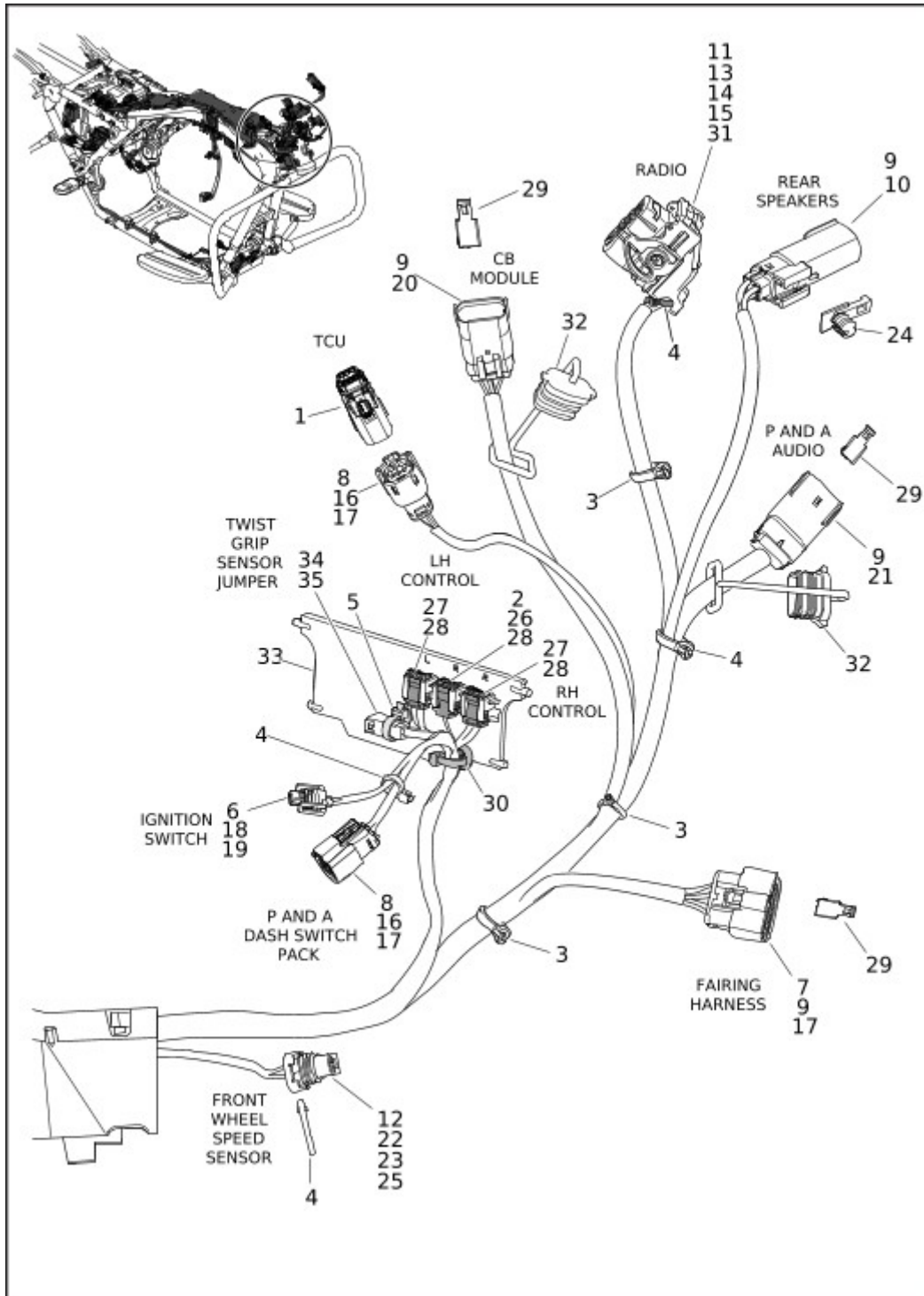
VIEW INTERACTIVE IMAGE

View interactive table

INDEX NO.	PART NO.	DESCRIPTION	MODEL(S)
	69202230	MAIN WIRING HARNESS	FLTRX, FLTRXS
NOTE: Includes the following parts.			
1	10006	CABLE STRAP	FLTRX, FLTRXS
2	72130-04	HOUSING, 12-way socket (black)	FLTRX, FLTRXS

INDEX NO.	PART NO.	DESCRIPTION	MODEL(S)
3	72168-07	TERMINAL, socket, 18-20 AWG (5)	FLTRX, FLTRXS
4	72169-07	TERMINAL, pin, 16-20 AWG (8)	FLTRX, FLTRXS
5	72189-04	SEAL PIN (6)	FLTRX, FLTRXS
6	72364-06	TERMINAL, insulated	FLTRX, FLTRXS
7	72414-07BK	HOUSING, six-way socket (black)	FLTRX, FLTRXS
8	72473-07	SEAL PIN (5)	FLTRX, FLTRXS
9	72490-07GY	HOUSING, 12-way pin (gray)	FLTRX, FLTRXS
10	72721-07	TERMINAL, socket, 18-20 AWG (2)	FLTRX, FLTRXS
11	72902-01BK	HOUSING, two-way pin (black)	FLTRX, FLTRXS
12	72912-01BK	HOUSING, two-way socket (black)	FLTRX, FLTRXS
13	73213-07	RETAINER, anchored	FLTRX, FLTRXS
14	74196-04	TERMINAL, socket, 20 AWG (6)	FLTRX, FLTRXS
15	74197-04	SECONDARY LOCK, 12-way socket	FLTRX, FLTRXS
16	12500002	CABLE STRAP	FLTRX, FLTRXS
17	69200201	HOUSING, two-way socket (black)	FLTRX, FLTRXS
18	69202720	WIRE TROUGH, with 69202637	FLTRX, FLTRXS
19	69202636	COVER, wire trough	FLTRX, FLTRXS
20	69200629	WIRE HARNESS, AM/FM antenna	FLTRX, FLTRXS
21	69201240	TERMINAL, socket, 18 AWG (2)	FLTRX, FLTRXS
22	69202637	CLIP (2)	FLTRX, FLTRXS

WIRING HARNESS, MAIN - FLTRX, FLTRXS (2 OF 10)



VIEW INTERACTIVE IMAGE

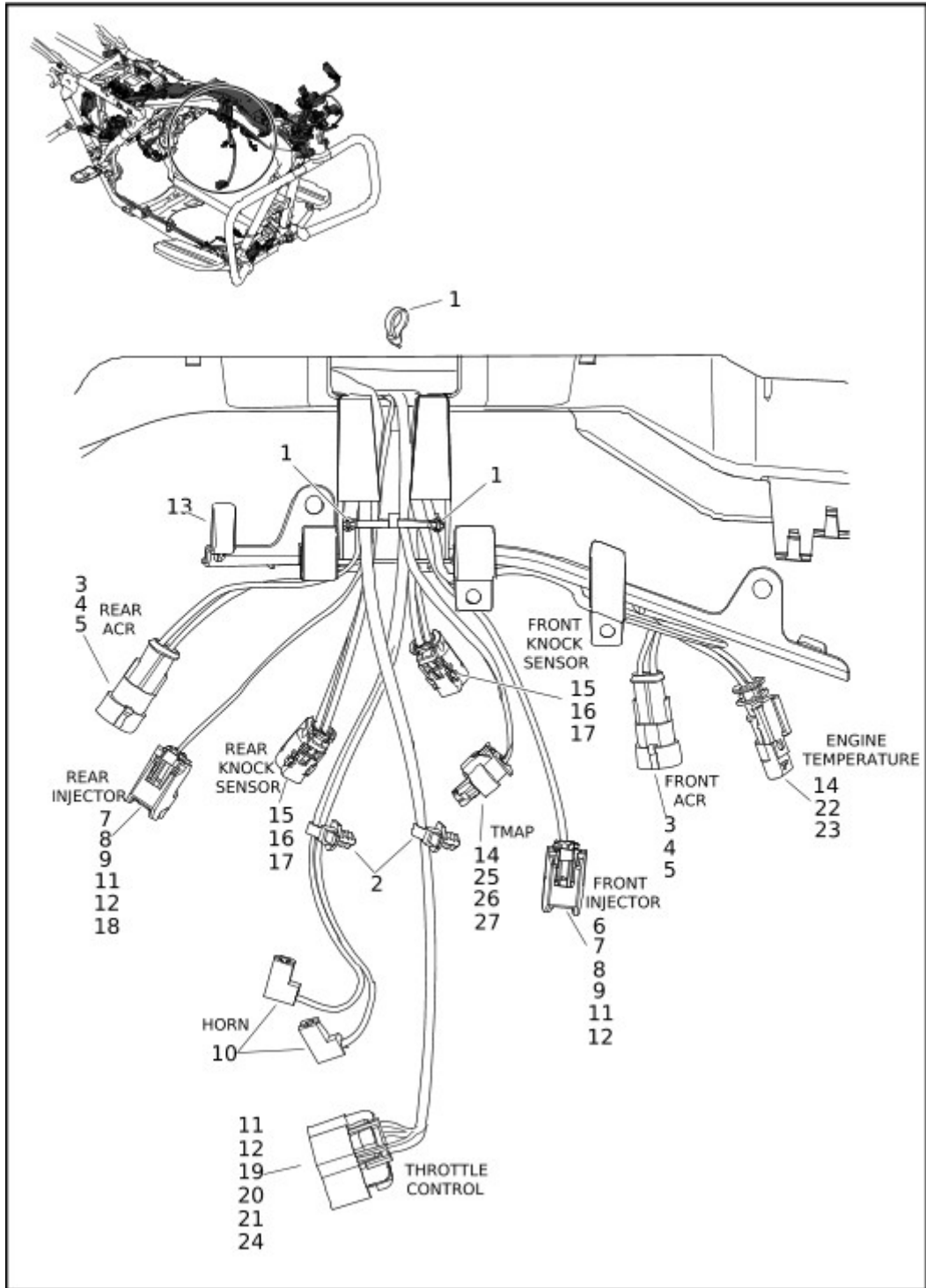
View interactive table

INDEX NO.	PART NO.	DESCRIPTION	MODEL(S)
1	69202412	PLUG, weather (used without TCU module)	FLTRX, FLTRXS
	69202230	MAIN WIRING HARNESS	FLTRX, FLTRXS
NOTE: Includes the following parts.			
2	5118	SEAL PIN	FLTRX, FLTRXS

INDEX NO.	PART NO.	DESCRIPTION	MODEL(S)
3	10006	CABLE STRAP (3)	FLTRX, FLTRXS
4	10065	CABLE STRAP (4)	FLTRX, FLTRXS
5	10177	CABLE STRAP, anchored	FLTRX, FLTRXS
6	72062-06	HOUSING, 2-way socket (gray)	FLTRX, FLTRXS
7	72167-07BK	HOUSING, 16-way pin (black)	FLTRX, FLTRXS
8	72168-07	TERMINAL, socket, 18-20 AWG (9)	FLTRX, FLTRXS
9	72169-07	TERMINAL, pin, 16-20 AWG (40)	FLTRX, FLTRXS
10	72175-07BK	HOUSING, four-way pin (black)	FLTRX, FLTRXS
11	72209-11	COVER, wire dress	FLTRX, FLTRXS
12	72213-94	TERMINAL, socket, 16-20 AWG (2)	FLTRX, FLTRXS
13	72222-11	TERMINAL, socket, 18-20 AWG (26)	FLTRX, FLTRXS
14	72226-11	TERMINAL, socket, 14-16 AWG (8)	FLTRX, FLTRXS
15	72256-11	SEAL PIN (14)	FLTRX, FLTRXS
16	72414-07BK	HOUSING, six-way socket (black) (2)	FLTRX, FLTRXS
17	72473-07	SEAL PIN (7)	FLTRX, FLTRXS
18	72484-08	TERMINAL, socket, 20 AWG (2)	FLTRX, FLTRXS
19	72486-08	WIRE SEAL, 20 AWG (green) (2)	FLTRX, FLTRXS
20	72488-07BK	HOUSING, 12-way pin (black)	FLTRX, FLTRXS
21	72490-07GY	HOUSING, 12-way pin (gray)	FLTRX, FLTRXS
22	72606-08	HOUSING, two-way socket (black)	FLTRX, FLTRXS
23	72610-08	WIRE SEAL, 18-20 AWG (white) (2)	FLTRX, FLTRXS
24	72632-10	PLUG, weather, four-way pin	FLTRX, FLTRXS
25	72639-10	SECONDARY LOCK, two-way socket	FLTRX, FLTRXS
26	72905-11	HOUSING, two-way pin (black)	FLTRX, FLTRXS
27	72907-11	HOUSING, four-way pin (black) (2)	FLTRX, FLTRXS
28	72909-11	TERMINAL, pin, 20-22 AWG (9)	FLTRX, FLTRXS
29	73213-07	RETAINER, anchored (3)	FLTRX, FLTRXS
30	12500002	CABLE STRAP	FLTRX, FLTRXS
31	69200193	HOUSING, 48-way socket (black)	FLTRX, FLTRXS

INDEX NO.	PART NO.	DESCRIPTION	MODEL(S)
32	69200205	WEATHER PLUG, 12-way pin (2)	FLTRX, FLTRXS
33	69200700	CADDY	FLTRX, FLTRXS
34	69201163	HOUSING, six-way pin (black)	FLTRX, FLTRXS
35	69201164	TERMINAL, pin, 22 AWG (6)	FLTRX, FLTRXS

WIRING HARNESS, MAIN - FLTRX, FLTRXS (3 OF 10)



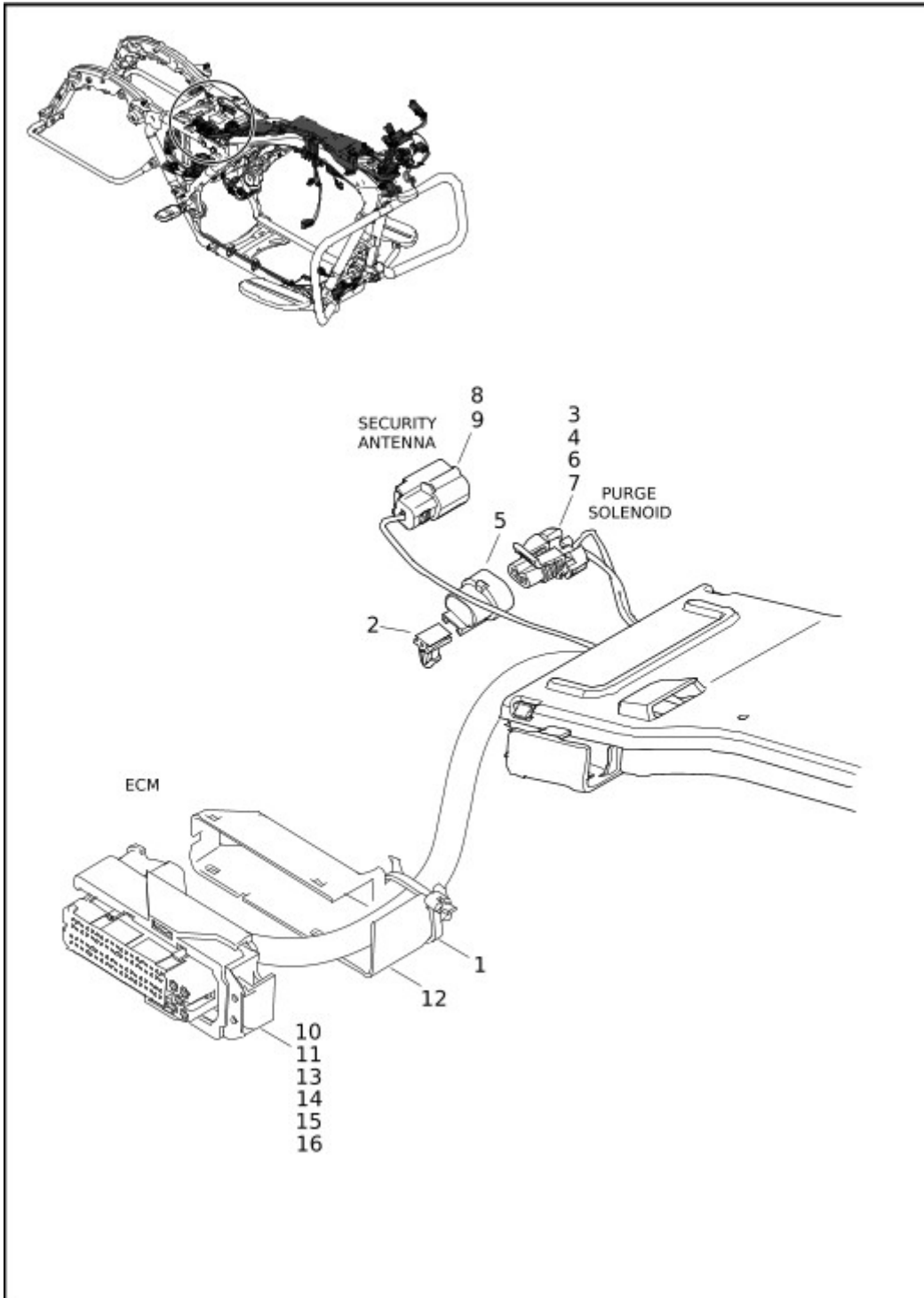
VIEW INTERACTIVE IMAGE

View interactive table

INDEX NO.	PART NO.	DESCRIPTION	MODEL(S)
	69202230	MAIN WIRING HARNESS	FLTRX, FLTRXS
NOTE: Includes the following parts.			
1	10065	CABLE STRAP (3)	FLTRX, FLTRXS
2	10177	CABLE STRAP, anchored (2)	FLTRX, FLTRXS

INDEX NO.	PART NO.	DESCRIPTION	MODEL(S)
3	72008-05	TERMINAL, pin, 20-22 AWG (4)	FLTRX, FLTRXS
4	72009-05	HOUSING, two-way pin (black) (2)	FLTRX, FLTRXS
5	72010-05	WIRE SEAL, 22-26 AWG (green) (4)	FLTRX, FLTRXS
6	72098-06	HOUSING, two-way socket (gray)	FLTRX, FLTRXS
7	72099-06	WIRE SEAL, 16-18 AWG (blue) (2)	FLTRX, FLTRXS
8	72110-06	TERMINAL, socket, 16-18 AWG (2)	FLTRX, FLTRXS
9	72145-06	SECONDARY LOCK, two-way socket (2)	FLTRX, FLTRXS
10	72283-09	TERMINAL, socket, 14-16 AWG, 90 degree (2)	FLTRX, FLTRXS
11	72499-07	WIRE SEAL, 20-22 AWG (green) (8)	FLTRX, FLTRXS
12	72569-08	TERMINAL, socket, 20-22 AWG (4)	FLTRX, FLTRXS
13	69201287	BRACKET, mounting	FLTRX, FLTRXS
14	69201301	WIRE SEAL, 20-22 AWG (green) (6)	FLTRX, FLTRXS
15	69201390	HOUSING, two-way socket (black) (2)	FLTRX, FLTRXS
16	69201391	TERMINAL, socket, 20 AWG (4)	FLTRX, FLTRXS
17	69201392	WIRE SEAL, 20 AWG (yellow) (4)	FLTRX, FLTRXS
18	69201393	HOUSING, two-way socket (black)	FLTRX, FLTRXS
19	69201394	HOUSING, six-way socket (black)	FLTRX, FLTRXS
20	69201395	SECONDARY LOCK, six-way socket	FLTRX, FLTRXS
21	69201396	TERMINAL, socket, 20 AWG (4)	FLTRX, FLTRXS
22	69201397	HOUSING, two-way pin (gray)	FLTRX, FLTRXS
23	69201398	TERMINAL, pin, 20 AWG (2)	FLTRX, FLTRXS
24	69201416	SECONDARY LOCK, 6-way socket	FLTRX, FLTRXS
25	69201441	HOUSING, four-way socket	FLTRX, FLTRXS
26	69201442	TERMINAL, socket, 18 AWG (2)	FLTRX, FLTRXS
27	69201407	TERMINAL, socket, 20 AWG (2)	FLTRX, FLTRXS

WIRING HARNESS, MAIN - FLTRX, FLTRXS (4 OF 10)



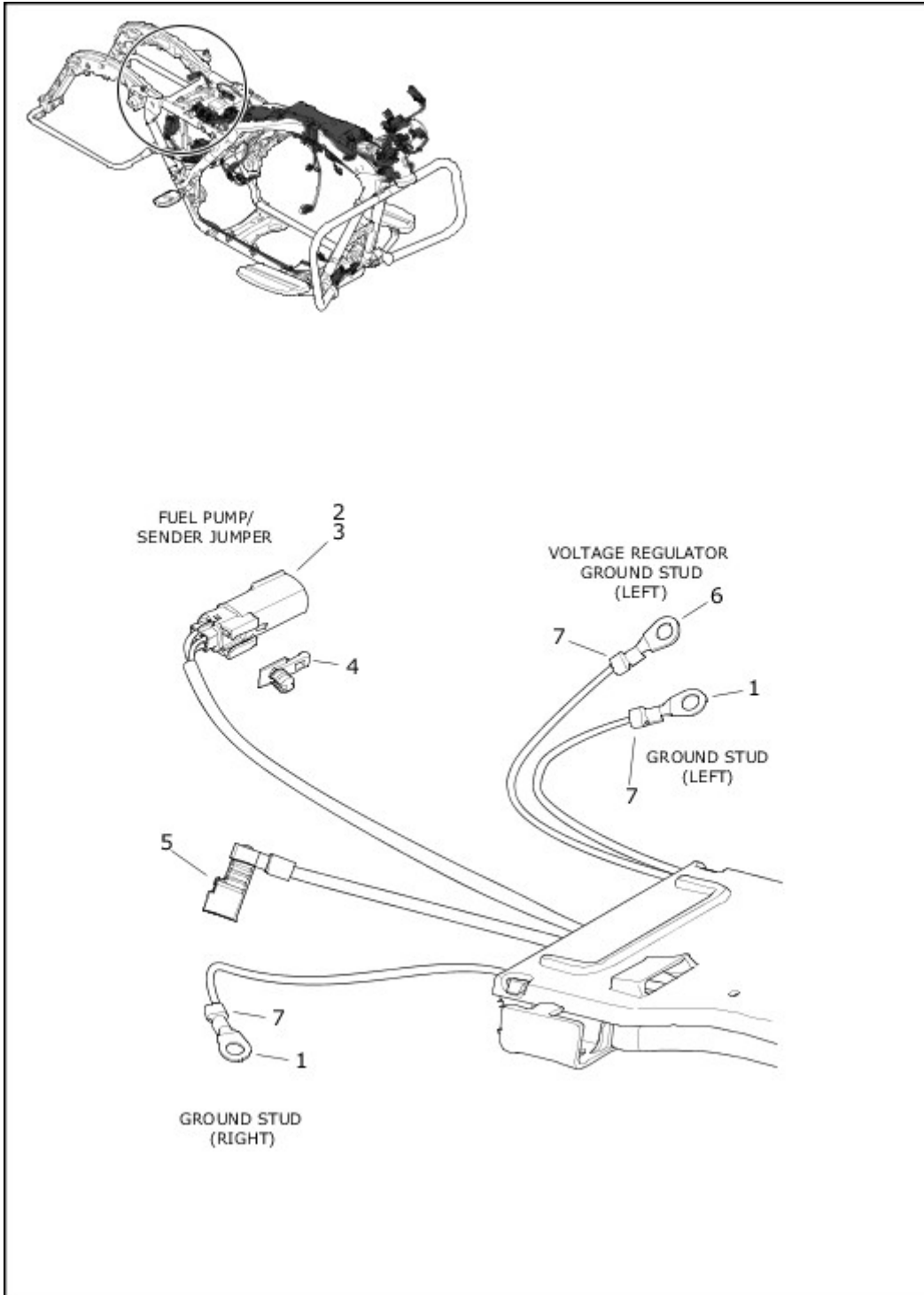
VIEW INTERACTIVE IMAGE

View interactive table

INDEX NO.	PART NO.	DESCRIPTION	MODEL(S)
	69202230	MAIN WIRING HARNESS	FLTRX, FLTRXS
NOTE: Includes the following parts.			
1	10065	CABLE STRAP	FLTRX, FLTRXS
2	10147	CLIP, connector	FLTRX, FLTRXS

INDEX NO.	PART NO.	DESCRIPTION	MODEL(S)
3	72213-94	TERMINAL, socket, 16-20 AWG (2)	FLTRX, FLTRXS
4	72518-01	HOUSING, two-way socket (red)	FLTRX, FLTRXS
5	72533-06	DUST CAP, two-way connector	FLTRX, FLTRXS
6	72609-08	SECONDARY LOCK, two-way socket (black)	FLTRX, FLTRXS
7	72610-08	WIRE SEAL, 18-20 AWG (white) (2)	FLTRX, FLTRXS
8	72720-07	HOUSING, two-way socket (black)	FLTRX, FLTRXS
9	72721-07	TERMINAL, socket, 18-20 AWG (2)	FLTRX, FLTRXS
10	69202322	HOUSING, 81-way socket	FLTRX, FLTRXS
11	69202032	SECONDARY LOCK	FLTRX, FLTRXS
12	69202323	COVER	FLTRX, FLTRXS
13	69201890	TERMINAL, socket (4)	FLTRX, FLTRXS
14	69202453	TERMINAL, pin (42)	FLTRX, FLTRXS
15	69202028	TERMINAL, pin (35)	FLTRX, FLTRXS
16	69202031	WIRE SEAL (4)	FLTRX, FLTRXS

WIRING HARNESS, MAIN - FLTRX, FLTRXS (5 OF 10)



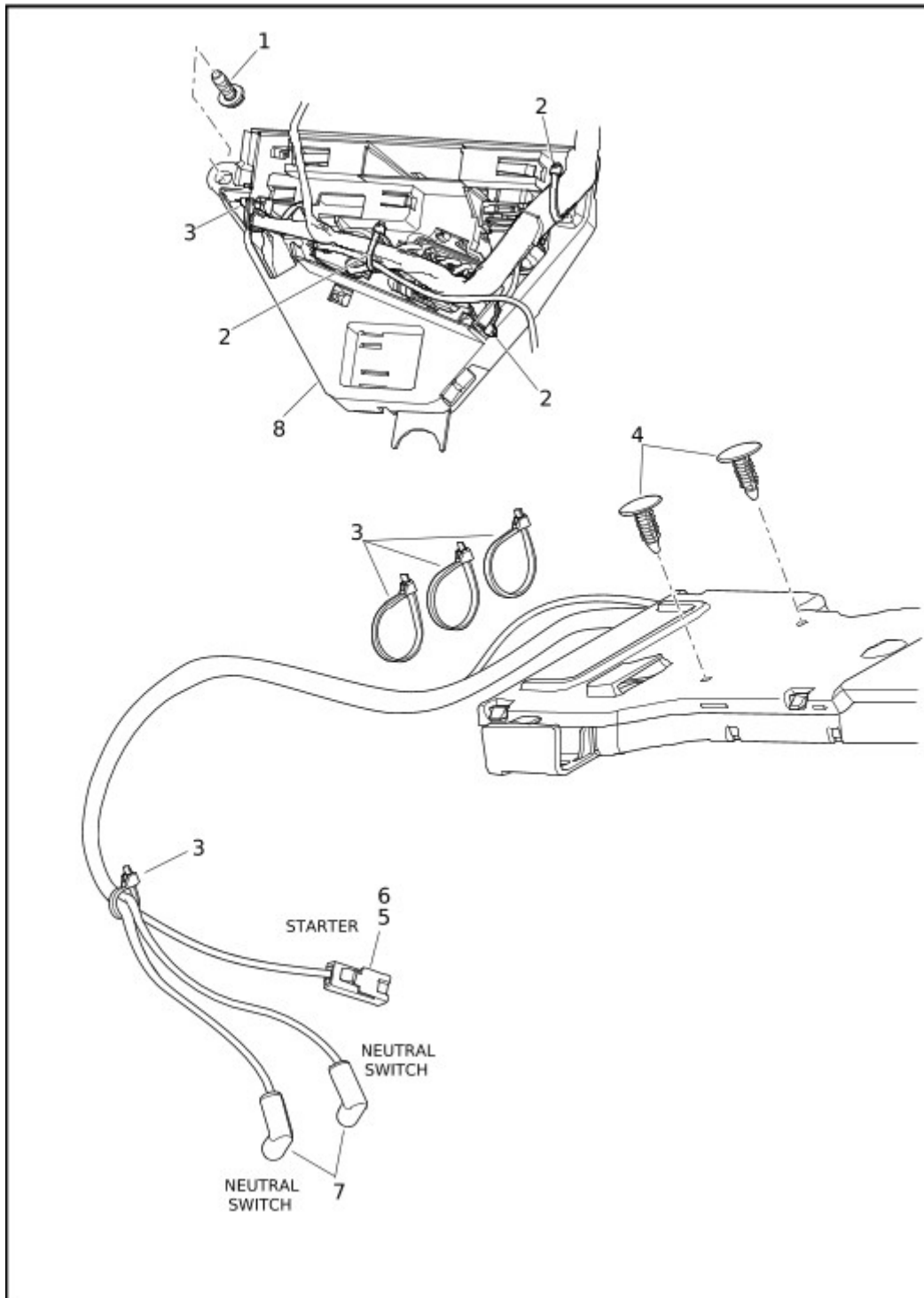
VIEW INTERACTIVE IMAGE

View interactive table

INDEX NO.	PART NO.	DESCRIPTION	MODEL(S)
	69202230	MAIN WIRING HARNESS	FLTRX, FLTRXS
NOTE: Includes the following parts.			
1	9819	TERMINAL, 1/4 in ring, 12 AWG (2)	FLTRX, FLTRXS
2	72169-07	TERMINAL, pin, 16-20 AWG (4)	FLTRX, FLTRXS

INDEX NO.	PART NO.	DESCRIPTION	MODEL(S)
3	72415-07GY	HOUSING, four-way pin (gray)	FLTRX, FLTRXS
4	73213-07	RETAINER, anchored	FLTRX, FLTRXS
5	69200629	WIRE HARNESS, AM/FM antenna	FLTRX, FLTRXS
6	69201596	TERMINAL, ring, 8-10 AWG	FLTRX, FLTRXS
7	69202219	HEAT SHRINK TUBE, .415 x 1 (black)	FLTRX, FLTRXS

WIRING HARNESS, MAIN - FLTRX, FLTRXS (6 OF 10)



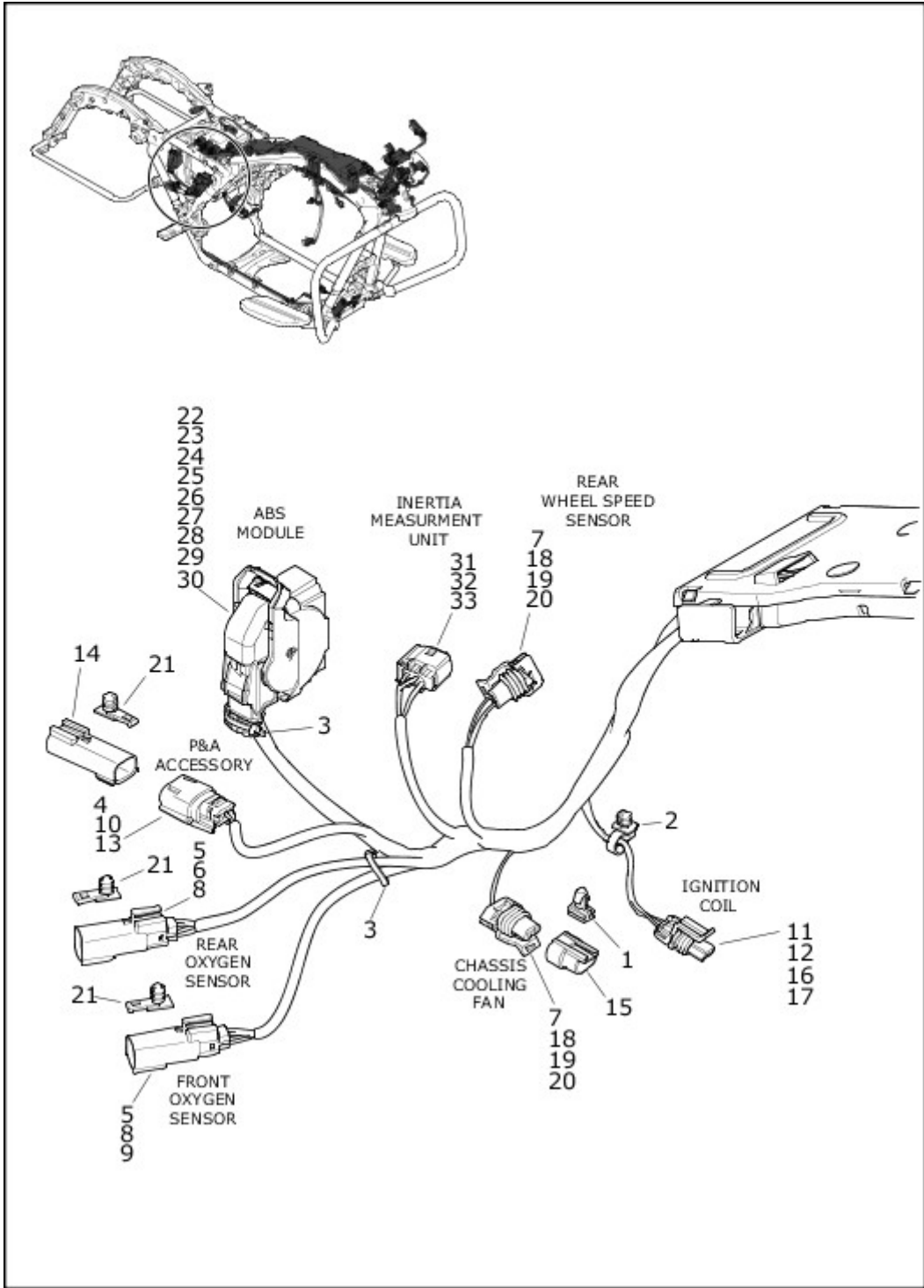
VIEW INTERACTIVE IMAGE

[View interactive table](#)

INDEX NO.	PART NO.	DESCRIPTION	MODEL(S)
1	3634	SCREW (2)	FLTRX, FLTRXS
	69202230	MAIN WIRING HARNESS	FLTRX, FLTRXS
NOTE: Includes the following parts.			
2	10006	CABLE STRAP (3)	FLTRX, FLTRXS

INDEX NO.	PART NO.	DESCRIPTION	MODEL(S)
3	10065	CABLE STRAP (5)	FLTRX, FLTRXS
4	11779	FASTENER, push-in (black) (2)	FLTRX, FLTRXS
5	72291-94	TERMINAL, socket, 14-16 AWG	FLTRX, FLTRXS
6	72295-94	CONNECTOR, starter housing	FLTRX, FLTRXS
7	72405-98BK	WIRE ASSEMBLY, push-on, right angle molded, 65-1/2 in length (2)	FLTRX, FLTRXS
8	69200175	CADDY, fuse block, electrical panel	FLTRX, FLTRXS

WIRING HARNESS, MAIN - FLTRX, FLTRXS (7 OF 10)



VIEW INTERACTIVE IMAGE

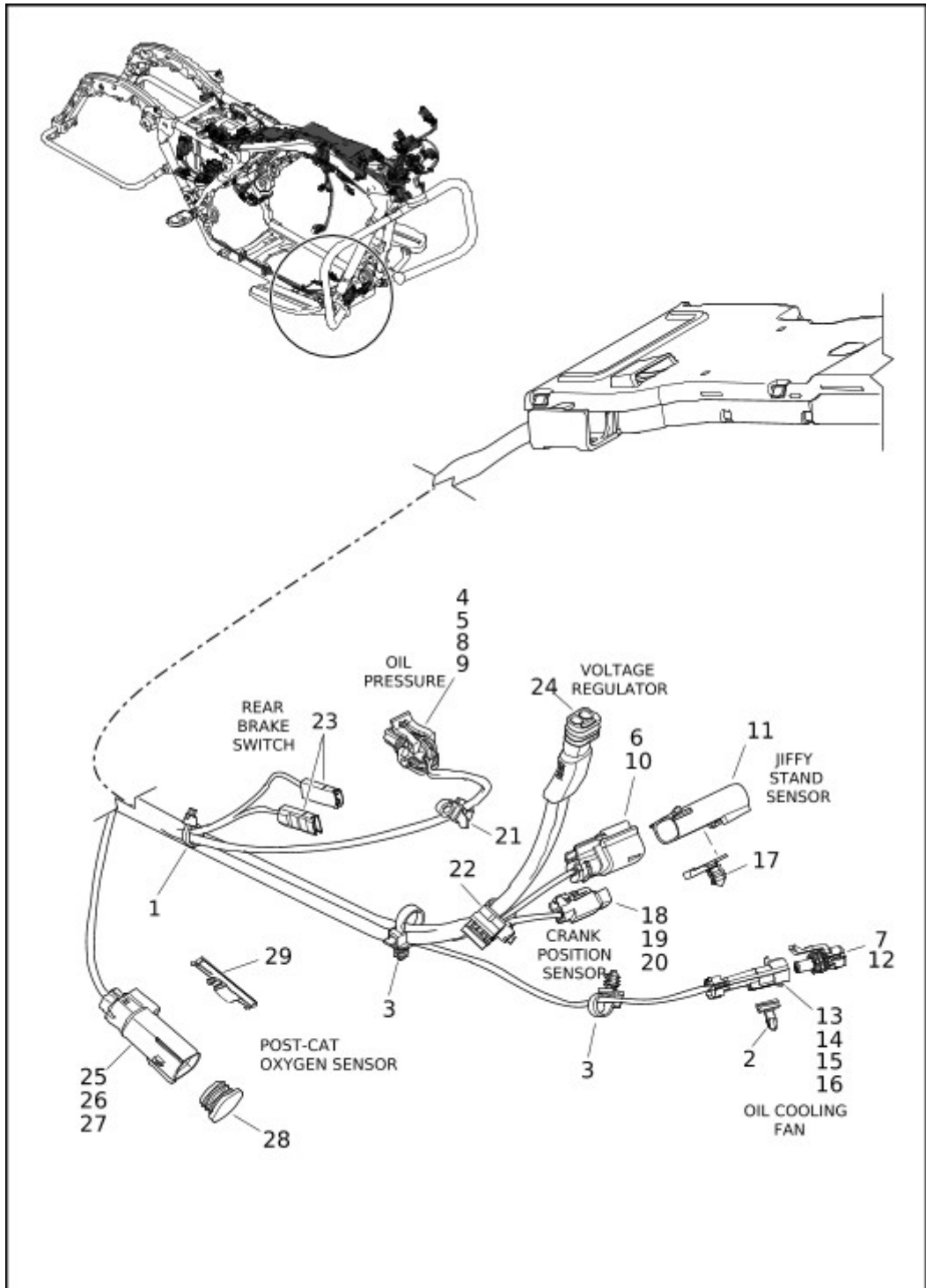
View interactive table

INDEX NO.	PART NO.	DESCRIPTION	MODEL(S)
	69202230	MAIN WIRING HARNESS	FLTRX, FLTRXS
NOTE: Includes the following parts.			
1	10147	CLIP	FLTRX, FLTRXS
2	10177	CABLE STRAP, anchored	FLTRX, FLTRXS

INDEX NO.	PART NO.	DESCRIPTION	MODEL(S)
3	10065	CABLE STRAP (2)	FLTRX, FLTRXS
4	72168-07	TERMINAL, socket, 18-20 AWG (2)	FLTRX, FLTRXS
5	72169-07	TERMINAL, pin, 16-20 AWG (4)	FLTRX, FLTRXS
6	72175-07BK	HOUSING, four-way pin (black)	FLTRX, FLTRXS
7	72213-94	TERMINAL, socket, 16-20 AWG (4)	FLTRX, FLTRXS
8	72343-10	TERMINAL, pin, 16-20 AWG (4)	FLTRX, FLTRXS
9	72415-07GY	HOUSING, four-way pin (gray)	FLTRX, FLTRXS
10	72473-07	SEAL PIN, natural	FLTRX, FLTRXS
11	72484-08	TERMINAL, socket, 20 AWG (3)	FLTRX, FLTRXS
12	72486-08	WIRE SEAL, 20 AWG (green) (3)	FLTRX, FLTRXS
13	72512-07BK	HOUSING, three-way socket (black)	FLTRX, FLTRXS
14	72519-09BK	DUST CAP, three-way socket (black)	FLTRX, FLTRXS
15	72533-06	PLUG, weather, two-way pin	FLTRX, FLTRXS
16	72544-07	SECONDARY LOCK, three-way socket	FLTRX, FLTRXS
17	72589-09	HOUSING, three-way socket (black)	FLTRX, FLTRXS
18	72606-08	HOUSING, two-way socket (black) (2)	FLTRX, FLTRXS
19	72609-08	SECONDARY LOCK, two-way socket (2)	FLTRX, FLTRXS
20	72610-08	WIRE SEAL, 18-20 AWG (white) (4)	FLTRX, FLTRXS
21	73213-07	RETAINER, anchored (3)	FLTRX, FLTRXS
22	69200183	HOUSING, 26-way socket	FLTRX, FLTRXS
23	69200184	COVER, 26-way socket	FLTRX, FLTRXS
24	69200185	TERMINAL, socket, 20 AWG (6)	FLTRX, FLTRXS
25	69200186	TERMINAL, socket, 14-16 AWG (2)	FLTRX, FLTRXS
26	69200187	TERMINAL, socket, 12 AWG (2)	FLTRX, FLTRXS
27	69200188	WIRE SEAL, 20 AWG (gray) (6)	FLTRX, FLTRXS
28	69200189	WIRE SEAL, 14-16 AWG (brown) (2)	FLTRX, FLTRXS
29	69200190	WIRE SEAL, 12 AWG (blue) (2)	FLTRX, FLTRXS
30	69200191	SEAL PIN (16)	FLTRX, FLTRXS
31	69201301	WIRE SEAL, 20-22 AWG (green) (4)	FLTRX, FLTRXS

INDEX NO.	PART NO.	DESCRIPTION	MODEL(S)
32	69201779	HOUSING, four-way (black)	FLTRX, FLTRXS
33	69201814	TERMINAL, socket (4)	FLTRX, FLTRXS

WIRING HARNESS, MAIN - FLTRX, FLTRXS (8 OF 10)



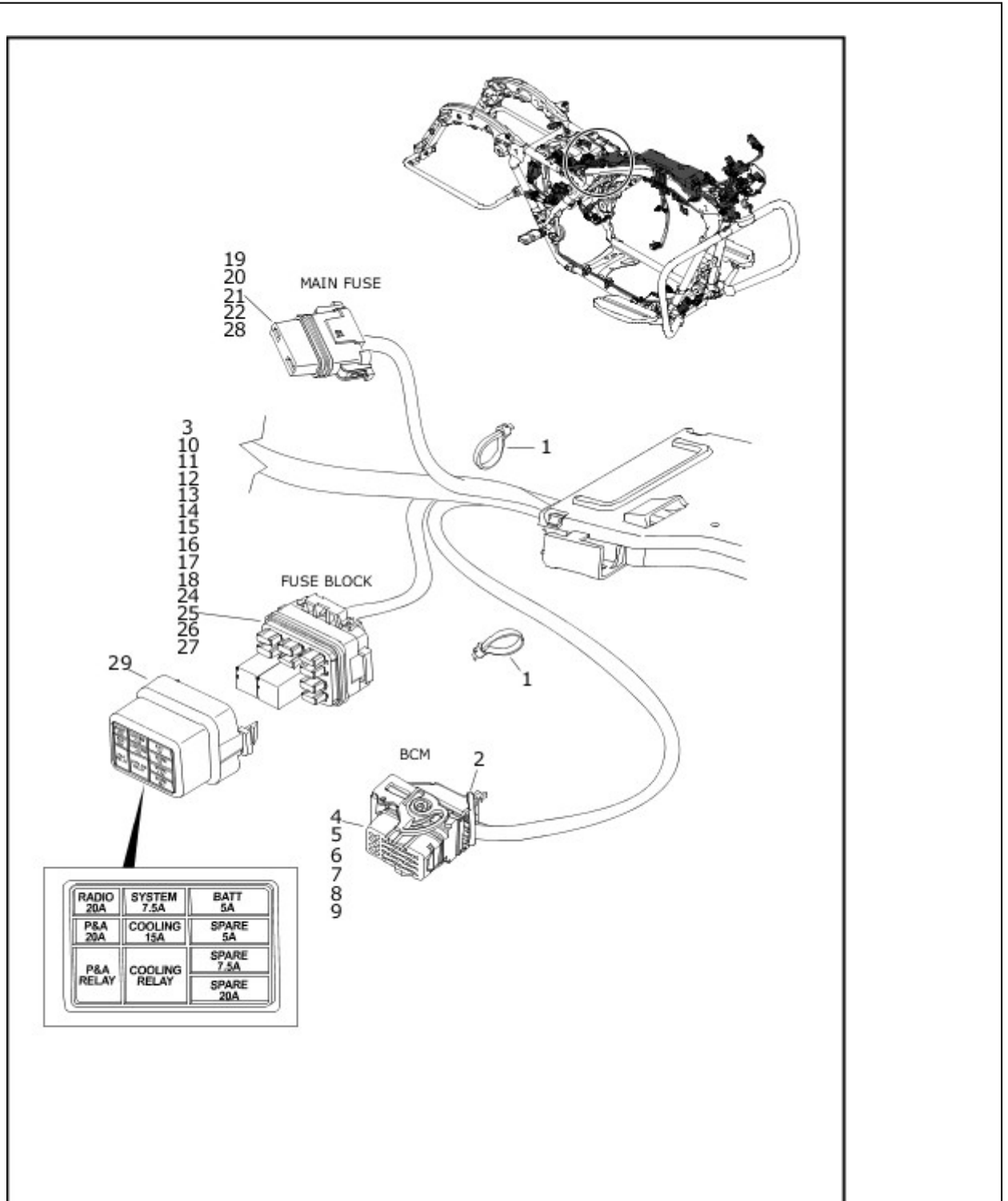
[VIEW INTERACTIVE IMAGE](#)

[View interactive table](#)

INDEX NO.	PART NO.	DESCRIPTION	MODEL(S)
	69202230	MAIN WIRING HARNESS	FLTRX, FLTRXS
NOTE: Includes the following parts.			
1	10065	CABLE STRAP	FLTRX, FLTRXS
2	10147	CLIP, connector (2)	FLTRX, FLTRXS
3	10177	CABLE STRAP, anchored (2)	FLTRX, FLTRXS
4	72065-06A	HOUSING, three-way socket (black)	FLTRX, FLTRXS
5	72127-06	SECONDARY LOCK, three-way socket	FLTRX, FLTRXS
6	72168-07	TERMINAL, socket, 18-20 AWG (3)	FLTRX, FLTRXS
7	72232-96	SEAL PIN (red) (2)	FLTRX, FLTRXS
8	72484-08	TERMINAL, socket, 20 AWG (3)	FLTRX, FLTRXS
9	72486-08	WIRE SEAL, 20 AWG (green) (3)	FLTRX, FLTRXS
10	72512-07BK	HOUSING, three-way socket (black)	FLTRX, FLTRXS
11	72519-09BK	DUST CAP, three-way socket (black)	FLTRX, FLTRXS
12	72606-08	HOUSING, two-way socket (black)	FLTRX, FLTRXS
13	72607-08	HOUSING, two-way pin (black)	FLTRX, FLTRXS
14	72608-08	TERMINAL, pin, 16-20 AWG (2)	FLTRX, FLTRXS
15	72609-08	SECONDARY LOCK, two-way socket	FLTRX, FLTRXS
16	72610-08	WIRE SEAL, 18-20 AWG (white) (2)	FLTRX, FLTRXS
17	73213-07	RETAINER, anchored (3)	FLTRX, FLTRXS
18	74112-98BK	HOUSING, two-way socket (black)	FLTRX, FLTRXS
19	74152-98	SECONDARY LOCK, two-way socket	FLTRX, FLTRXS
20	74191-98	TERMINAL, socket, 16-20 AWG (2)	FLTRX, FLTRXS
21	12500014	CABLE STRAP	FLTRX, FLTRXS
22	12500018	CABLE STRAP	FLTRX, FLTRXS
23	69200238	TERMINAL, insulated (2)	FLTRX, FLTRXS
24	69201423	DC LEAD ASSEMBLY	FLTRX, FLTRXS
25	72415-07GY	HOUSING, four-way pin (gray)	FLTRX, FLTRXS
26	72169-07	TERMINAL, pin, 16-20 AWG (2)	FLTRX, FLTRXS
27	72343-10	TERMINAL, pin, 16-20 AWG (2)	FLTRX, FLTRXS

INDEX NO.	PART NO.	DESCRIPTION	MODEL(S)
28	72632-10	PLUG, weather, four-way pin	FLTRX, FLTRXS
29	69201722	ANCHOR	FLTRX, FLTRXS

WIRING HARNESS, MAIN - FLTRX, FLTRXS (9 OF 10)



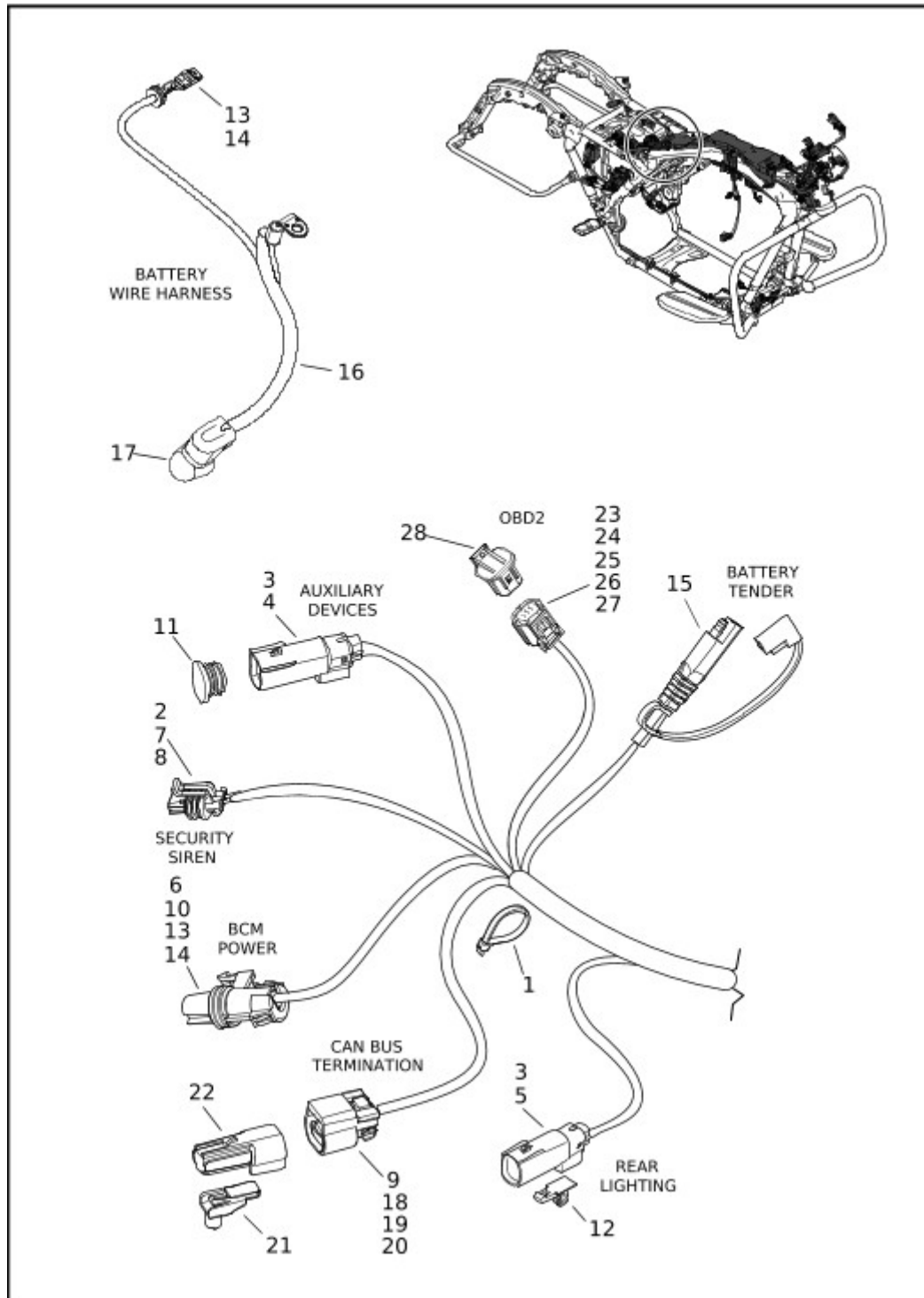
[VIEW INTERACTIVE IMAGE](#)

[View interactive table](#)

INDEX NO.	PART NO.	DESCRIPTION	MODEL(S)
	69202230	MAIN WIRING HARNESS	FLTRX, FLTRXS
NOTE: Includes the following parts.			
1	10006	CABLE STRAP (2)	FLTRX, FLTRXS
2	10065	CABLE STRAP	FLTRX, FLTRXS
3	31586-07	RELAY (2)	FLTRX, FLTRXS
4	72081-11	HOUSING, 48-way socket (black)	FLTRX, FLTRXS
5	72209-11	COVER, wire dress	FLTRX, FLTRXS
6	72222-11	TERMINAL, socket, 18-20 AWG (20)	FLTRX, FLTRXS
7	72226-11	TERMINAL, socket, 14-16 AWG	FLTRX, FLTRXS
8	72227-11	TERMINAL, socket, 18-20 AWG (5)	FLTRX, FLTRXS
9	72256-11	SEAL PIN (10)	FLTRX, FLTRXS
10	72296-95	TERMINAL, socket, 14-16 AWG (3)	FLTRX, FLTRXS
11	72298-95	PLUG, cavity (3)	FLTRX, FLTRXS
12	72299-95	SEAL PIN (green) (5)	FLTRX, FLTRXS
13	72308-97	TERMINAL, socket, 12-14 AWG (5)	FLTRX, FLTRXS
14	72330-95	FUSE, 15 A (blue)	FLTRX, FLTRXS
15	72331-95	FUSE, 5 A (tan) (2)	FLTRX, FLTRXS
16	72345-02	FUSE, 20 A (yellow) (3)	FLTRX, FLTRXS
17	72356-95	TERMINAL, socket, 18-20 AWG (11)	FLTRX, FLTRXS
18	72412-97	WIRE SEAL, 12-14 AWG (gray) (5)	FLTRX,

INDEX NO.	PART NO.	DESCRIPTION	MODEL(S)
			FLTRXS
19	73301-04	HOUSING, two-way pin (black)	FLTRX, FLTRXS
20	73303-04	SECONDARY LOCK, two-way socket (black)	FLTRX, FLTRXS
21	73304-04	TERMINAL, socket, 10 AWG (2)	FLTRX, FLTRXS
22	73305-04	SEAL WIRE, 10 AWG (blue) (2)	FLTRX, FLTRXS
23	11100115	CLOTH, harness wrap, 50 m (not shown)	FLTRX, FLTRXS
24	69200194	HOUSING, 24-way socket	FLTRX, FLTRXS
25	69200199	WIRE SEAL, 18-20 AWG (11)	FLTRX, FLTRXS
26	69200293	FUSE, 7.5 A (brown) (2)	FLTRX, FLTRXS
27	69200312	SECONDARY LOCK, 24-way socket (3)	FLTRX, FLTRXS
28	69200336A	MAIN FUSE, 50 A (red), NOTE: Fuse is sold separately and is not part of main harness.	FLTRX, FLTRXS
29	69201411	COVER, fuse block	FLTRX, FLTRXS

WIRING HARNESS, MAIN - FLTRX, FLTRXS (10 OF 10)



VIEW INTERACTIVE IMAGE

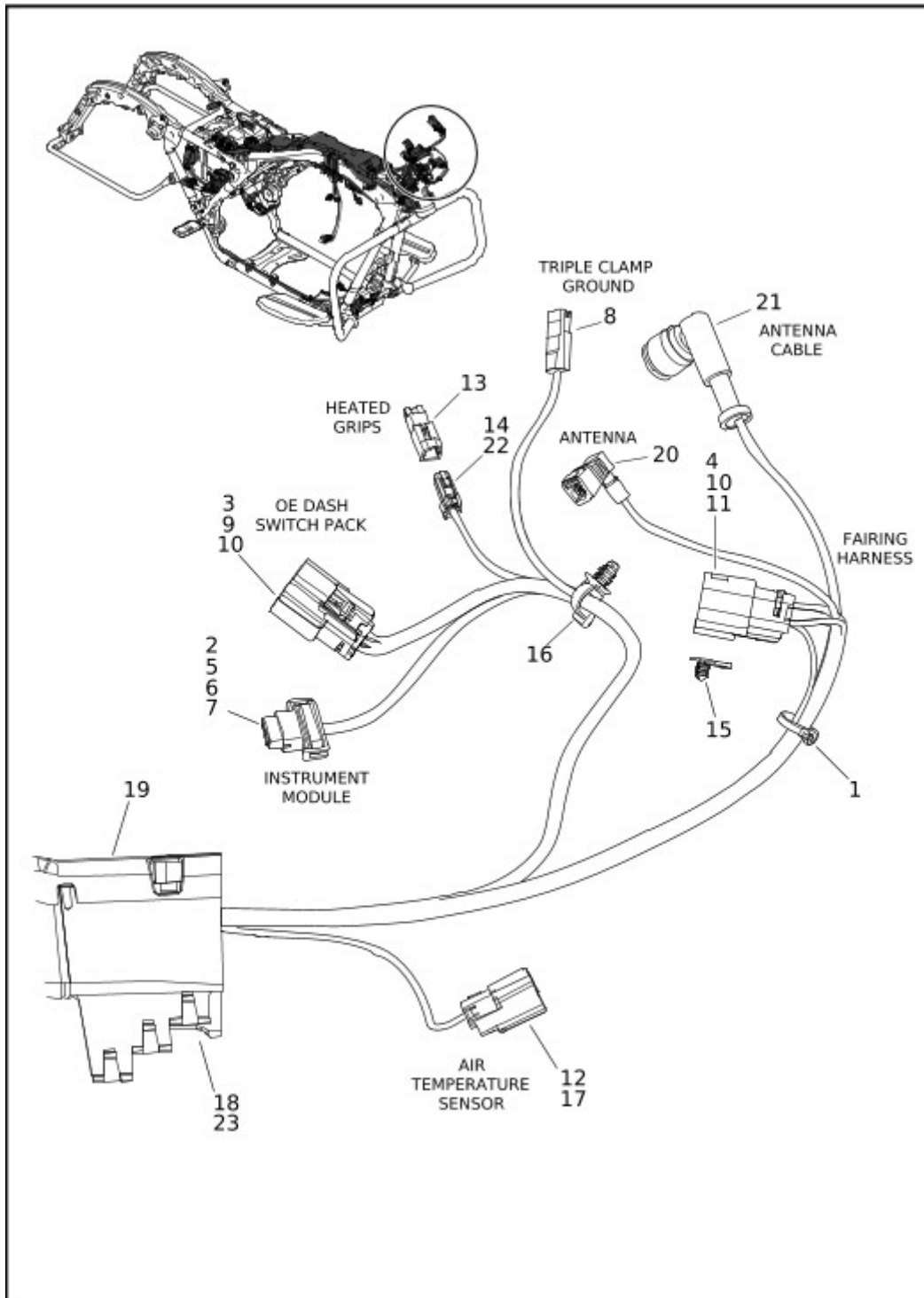
[View interactive table](#)

INDEX NO.	PART NO.	DESCRIPTION	MODEL(S)
	69202230	MAIN WIRING HARNESS	FLTRX, FLTRXS
NOTE: Includes the following parts.			
1	10065	CABLE STRAP (2)	FLTRX,

INDEX NO.	PART NO.	DESCRIPTION	MODEL(S)
			FLTRXS
2	72064-06	HOUSING, three-way socket (black)	FLTRX, FLTRXS
3	72169-07	TERMINAL, pin, 16-20 AWG (10)	FLTRX, FLTRXS
4	72175-07BK	HOUSING, four-way pin (gray)	FLTRX, FLTRXS
5	72188-07BK	HOUSING, six-way pin (black)	FLTRX, FLTRXS
6	72350-11	HOUSING, one-way socket (black)	FLTRX, FLTRXS
7	72484-08	TERMINAL, socket, 20 AWG (3)	FLTRX, FLTRXS
8	72486-08	WIRE SEAL, 20 AWG (green) (3)	FLTRX, FLTRXS
9	72499-07	WIRE SEAL, 20-22 AWG (green) (2)	FLTRX, FLTRXS
10	72575-11	SECONDARY LOCK, one-way socket (black)	FLTRX, FLTRXS
11	72632-10	PLUG, weather, four-way pin	FLTRX, FLTRXS
12	73213-07	RETAINER, anchored	FLTRX, FLTRXS
13	73304-04	TERMINAL, socket, 10 AWG (2)	FLTRX, FLTRXS
14	73305-04	SEAL WIRE, 10 AWG (blue) (2)	FLTRX, FLTRXS
15	69200212	HARNESS, battery tender	FLTRX, FLTRXS
16	69201130	WIRE HARNESS, battery positive to starter, with 73304-04, 73305-04 and 69201307	FLTRX, FLTRXS
17	69201307	BOOT, battery positive	FLTRX, FLTRXS
18	69201396	TERMINAL, socket, 20 AWG (2)	FLTRX, FLTRXS
19	69201400	HOUSING, two-way socket (black)	FLTRX, FLTRXS
20	69201401	SECONDARY LOCK, two-way socket	FLTRX, FLTRXS

INDEX NO.	PART NO.	DESCRIPTION	MODEL(S)
21	69201404	CONNECTOR, anchored	FLTRX, FLTRXS
22	69201405	RESISTOR PACK	FLTRX, FLTRXS
23	69202098	HOUSING, six-way socket (red)	FLTRX, FLTRXS
24	69202109	SECONDARY LOCK, six-way	FLTRX, FLTRXS
25	69202107	SEAL PIN (Lt. Gray) (2)	FLTRX, FLTRXS
26	69202104	TERMINAL, socket 22AWG (4)	FLTRX, FLTRXS
27	69202106	WIRE SEAL (4)	FLTRX, FLTRXS
28	69202108	CAP	FLTRX, FLTRXS

WIRING HARNESS, MAIN - FLTRK (1 OF 10)



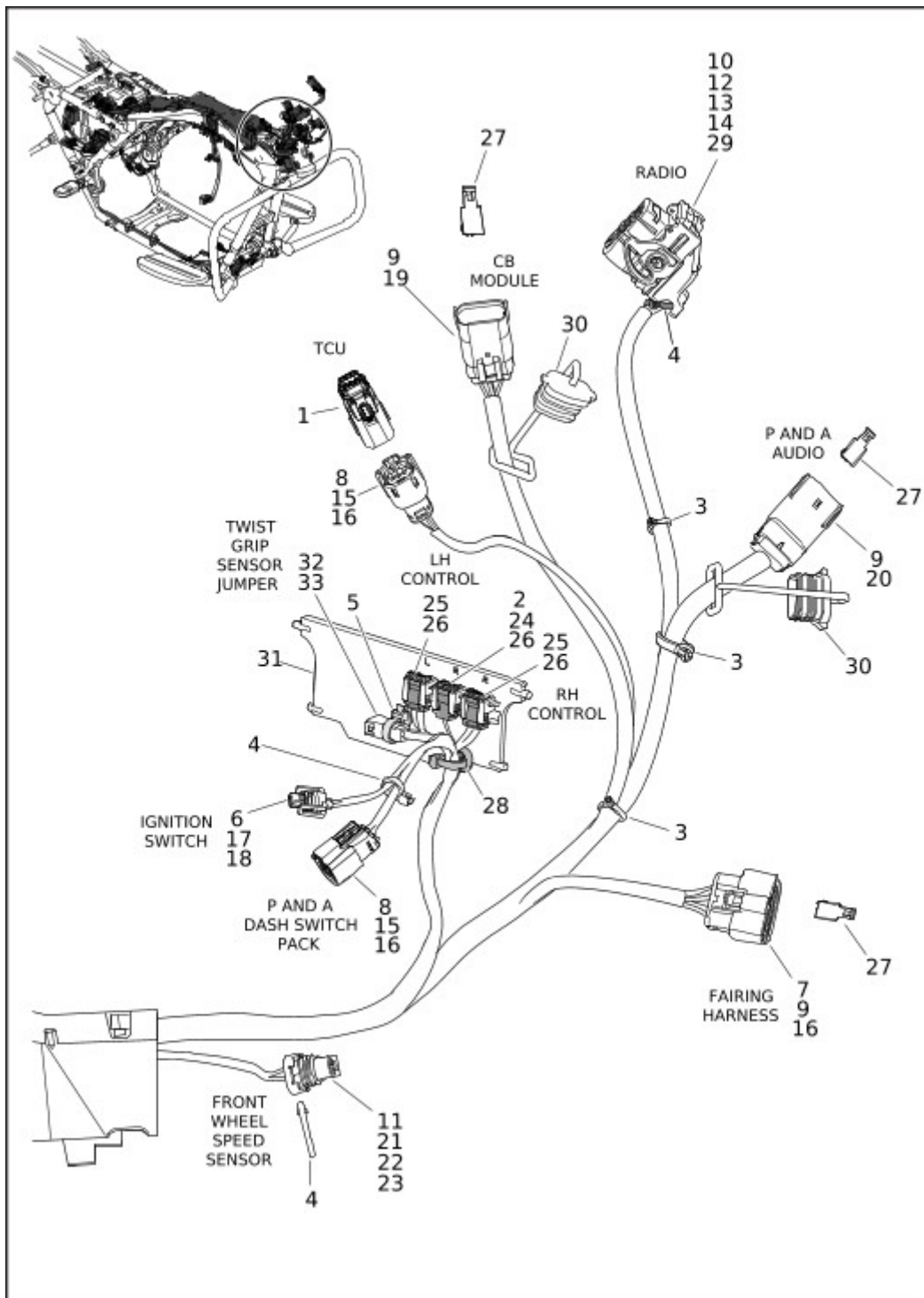
VIEW INTERACTIVE IMAGE

View interactive table

INDEX NO.	PART NO.	DESCRIPTION	MODEL(S)
	69202231	MAIN WIRING HARNESS	FLTRK
NOTE: Includes the following parts.			
1	10006	CABLE STRAP	FLTRK
2	72130-04	HOUSING, 12-way socket (black)	FLTRK

INDEX NO.	PART NO.	DESCRIPTION	MODEL(S)
3	72168-07	TERMINAL, socket, 18-20 AWG (5)	FLTRK
4	72169-07	TERMINAL, pin, 16-20 AWG (8)	FLTRK
5	72189-04	SEAL PIN (6)	FLTRK
6	72196-04	TERMINAL, socket, 20 AWG (6)	FLTRK
7	72197-04	SECONDARY LOCK, 12-way socket	FLTRK
8	72364-06	TERMINAL, insulated	FLTRK
9	72414-07BK	HOUSING, six-way socket (black)	FLTRK
10	72473-07	SEAL PIN (5)	FLTRK
11	72490-07GY	HOUSING, 12-way pin (gray)	FLTRK
12	72721-07	TERMINAL, socket, 18-20 AWG (2)	FLTRK
13	72902-01BK	HOUSING, two-way pin (black)	FLTRK
14	72912-01BK	HOUSING, two-way socket (black)	FLTRK
15	73213-07	RETAINER, anchored	FLTRK
16	12500002	CABLE STRAP	FLTRK
17	69200201	HOUSING, two-way socket (black)	FLTRK
18	69202720	WIRE TROUGH, with 69202637	FLTRK
19	69202636	COVER, wire trough	FLTRK
20	69201017	WIRE HARNESS, AM/FM antenna	FLTRK
21	69201018A	ANTENNA CABLE ASSEMBLY	FLTRK
22	69201240	TERMINAL, socket, 18 AWG (2)	FLTRK
23	69202637	CLIP (2)	FLTRK

WIRING HARNESS, MAIN - FLTRK (2 OF 10)



VIEW INTERACTIVE IMAGE

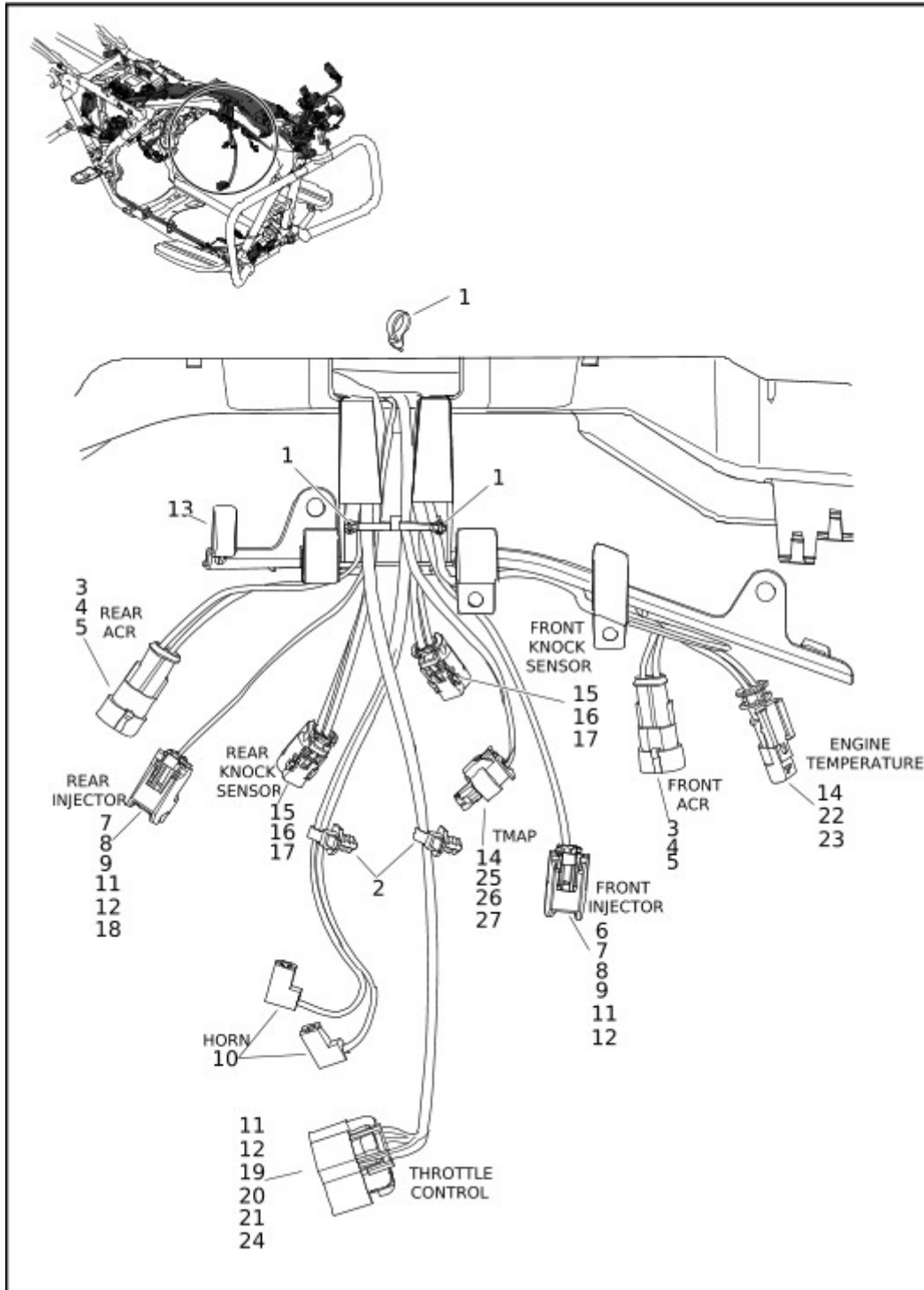
View interactive table

INDEX NO.	PART NO.	DESCRIPTION	MODEL(S)
1	69202412	PLUG, weather (used without TCU module)	FLTRK
	69202231	MAIN WIRING HARNESS	FLTRK
NOTE: Includes the following parts.			
2	5118	SEAL PIN	FLTRK

INDEX NO.	PART NO.	DESCRIPTION	MODEL(S)
3	10006	CABLE STRAP (3)	FLTRK
4	10065	CABLE STRAP (3)	FLTRK
5	10177	CABLE STRAP, anchored (2)	FLTRK
6	72062-06	HOUSING, 2-way socket (gray)	FLTRK
7	72167-07BK	HOUSING, 16-way pin (black)	FLTRK
8	72168-07	TERMINAL, socket, 18-20 AWG (9)	FLTRK
9	72169-07	TERMINAL, pin, 16-20 AWG (36)	FLTRK
10	72209-11	COVER, wire dress	FLTRK
11	72213-94	TERMINAL, socket, 16-20 AWG (2)	FLTRK
12	72222-11	TERMINAL, socket, 18-20 AWG (27)	FLTRK
13	72226-11	TERMINAL, socket, 14-16 AWG (8)	FLTRK
14	72256-11	SEAL PIN (3)	FLTRK
15	72414-07BK	HOUSING, six-way socket (black) (2)	FLTRK
16	72473-07	SEAL PIN (7)	FLTRK
17	72484-08	TERMINAL, socket, 20 AWG (2)	FLTRK
18	72486-08	WIRE SEAL, 20 AWG (green) (2)	FLTRK
19	72488-07BK	HOUSING, 12-way pin (black)	FLTRK
20	72490-07GY	HOUSING, 12-way pin (gray)	FLTRK
21	72606-08	HOUSING, two-way socket (black)	FLTRK
22	72610-08	WIRE SEAL, 18-20 AWG (white) (2)	FLTRK
23	72639-10	SECONDARY LOCK, two-way socket	FLTRK
24	72905-11	HOUSING, two-way pin (black)	FLTRK
25	72907-11	HOUSING, four-way pin (black) (2)	FLTRK
26	72909-11	TERMINAL, pin, 20-22 AWG (9)	FLTRK
27	73213-07	RETAINER, anchored (3)	FLTRK
28	12500002	CABLE STRAP	FLTRK
29	69200193	HOUSING, 48-way socket (black)	FLTRK
30	69200205	WEATHER PLUG, 12-way pin (2)	FLTRK
31	69200700	CADDY	FLTRK

INDEX NO.	PART NO.	DESCRIPTION	MODEL(S)
32	69201163	HOUSING, six-way pin (black)	FLTRK
33	69201164	TERMINAL, pin, 22 AWG (6)	FLTRK

WIRING HARNESS, MAIN - FLTRK (3 OF 10)

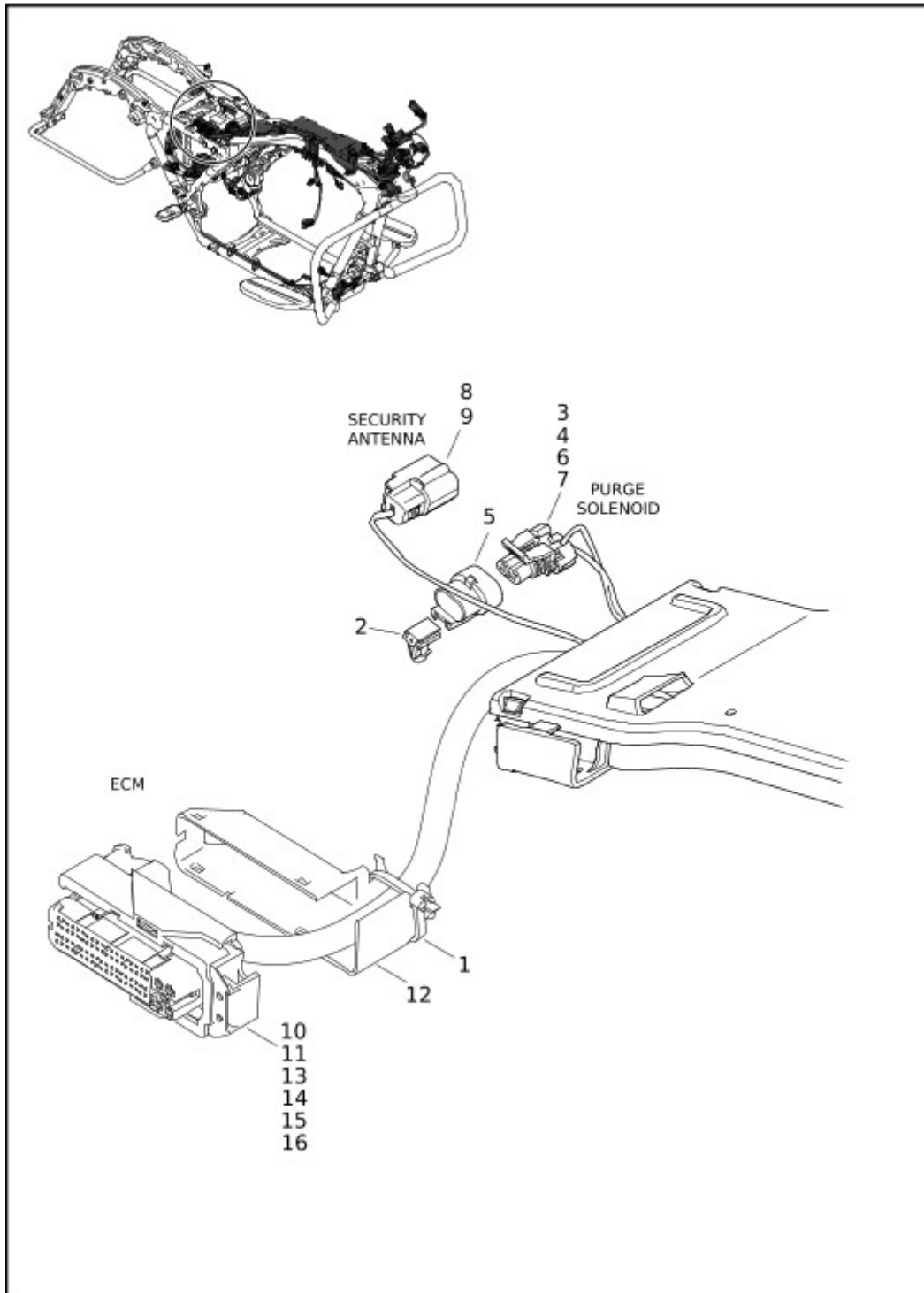


[VIEW INTERACTIVE IMAGE](#)

[View interactive table](#)

INDEX NO.	PART NO.	DESCRIPTION	MODEL(S)
	69202231	MAIN WIRING HARNESS	FLTRK
NOTE: Includes the following parts.			
1	10065	CABLE STRAP (3)	FLTRK
2	10177	CABLE STRAP, anchored (2)	FLTRK
3	72008-05	TERMINAL, pin, 20-22 AWG (5)	FLTRK
4	72009-05	HOUSING, two-way pin (black) (2)	FLTRK
5	72010-05	WIRE SEAL, 22-26 AWG (green) (5)	FLTRK
6	72098-06	HOUSING, two-way socket (gray)	FLTRK
7	72099-06	WIRE SEAL, 16-18 AWG (blue) (2)	FLTRK
8	72110-06	TERMINAL, socket, 16-18 AWG (2)	FLTRK
9	72145-06	SECONDARY LOCK, two-way socket (2)	FLTRK
10	72283-09	TERMINAL, socket, 14-16 AWG, 90 degree (2)	FLTRK
11	72499-07	WIRE SEAL, 20-22 AWG (green) (8)	FLTRK
12	72569-08	TERMINAL, socket, 20-22 AWG (4)	FLTRK
13	69201287	BRACKET, mounting	FLTRK
14	69201301	WIRE SEAL, 20-22 AWG (green) (6)	FLTRK
15	69201390	HOUSING, two-way socket (black) (2)	FLTRK
16	69201391	TERMINAL, socket, 20 AWG (4)	FLTRK
17	69201392	WIRE SEAL, 20 AWG (yellow) (4)	FLTRK
18	69201393	HOUSING, two-way socket (black)	FLTRK
19	69201394	HOUSING, six-way socket (black)	FLTRK
20	69201395	SECONDARY LOCK, six-way socket	FLTRK
21	69201396	TERMINAL, socket, 20 AWG (4)	FLTRK
22	69201397	HOUSING, two-way pin (gray)	FLTRK
23	69201398	TERMINAL, pin, 20 AWG (2)	FLTRK
24	69201416	SECONDARY LOCK, 6-way socket	FLTRK
25	69201441	HOUSING, four-way socket	FLTRK
26	69201442	TERMINAL, socket, 18 AWG (2)	FLTRK
27	69201407	TERMINAL, socket, 20 AWG (2)	FLTRK

WIRING HARNESS, MAIN - FLTRK (4 OF 10)



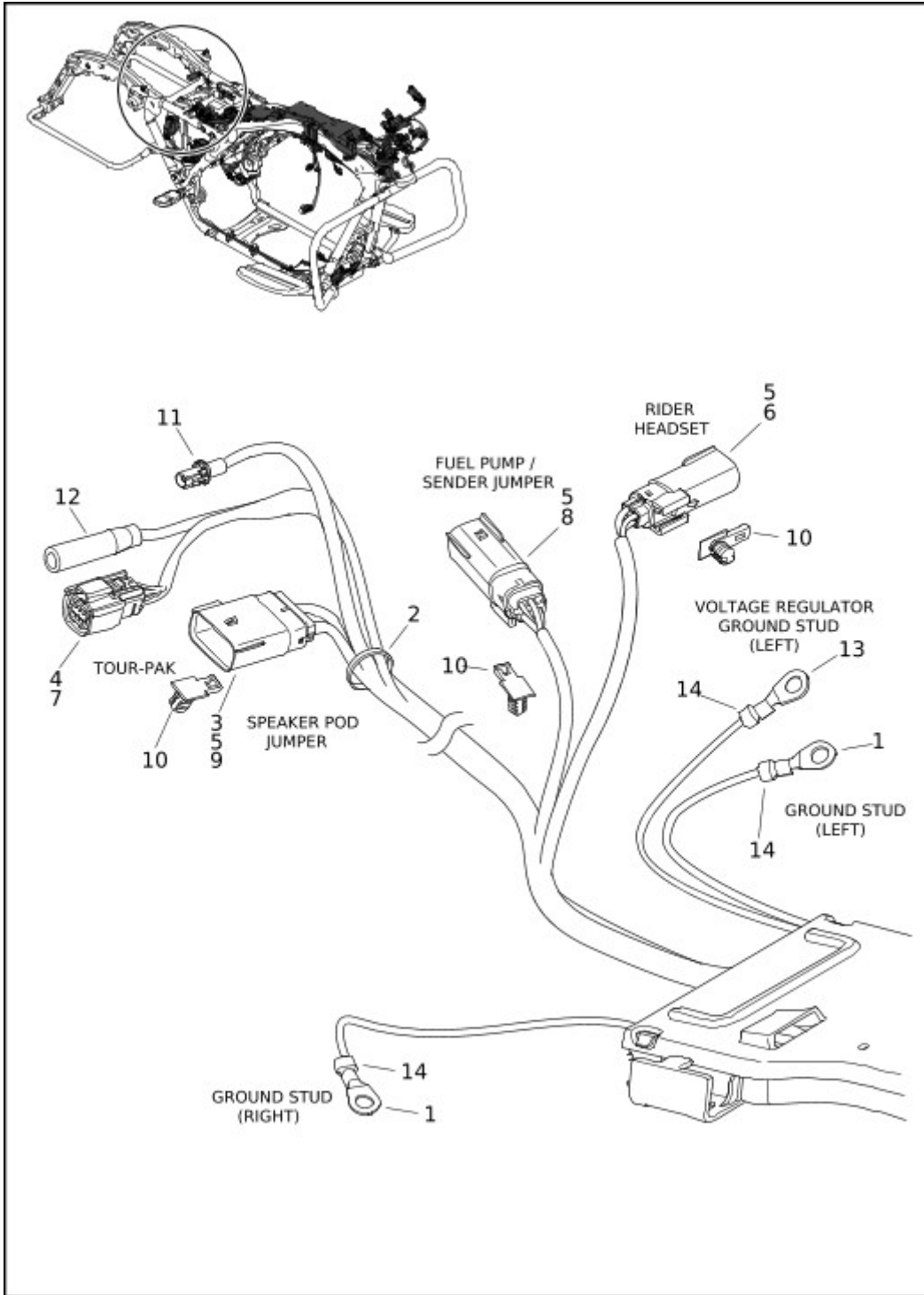
[VIEW INTERACTIVE IMAGE](#)

[View interactive table](#)

INDEX NO.	PART NO.	DESCRIPTION	MODEL(S)
	69202231	MAIN WIRING HARNESS	FLTRK
NOTE: Includes the following parts.			
1	10065	CABLE STRAP	FLTRK

INDEX NO.	PART NO.	DESCRIPTION	MODEL(S)
2	10147	CLIP, connector	FLTRK
3	72213-94	TERMINAL, socket, 16-20 AWG (2)	FLTRK
4	72518-01	HOUSING, two-way socket (red)	FLTRK
5	72533-06	DUST CAP, two-way connector	FLTRK
6	72609-08	SECONDARY LOCK, two-way socket (black)	FLTRK
7	72610-08	WIRE SEAL, 18-20 AWG (white) (2)	FLTRK
8	72720-07	HOUSING, two-way socket (black)	FLTRK
9	72721-07	TERMINAL, socket, 18-20 AWG (2)	FLTRK
10	69202322	HOUSING, 81-way socket	FLTRK
11	69202032	SECONDARY LOCK	FLTRK
12	69202323	COVER	FLTRK
13	69201890	TERMINAL, socket (5)	FLTRK
14	69202453	TERMINAL, pin (44)	FLTRK
15	69202028	TERMINAL, pin (32)	FLTRK
16	69202031	WIRE SEAL (4)	FLTRK

WIRING HARNESS, MAIN - FLTRK (5 OF 10)



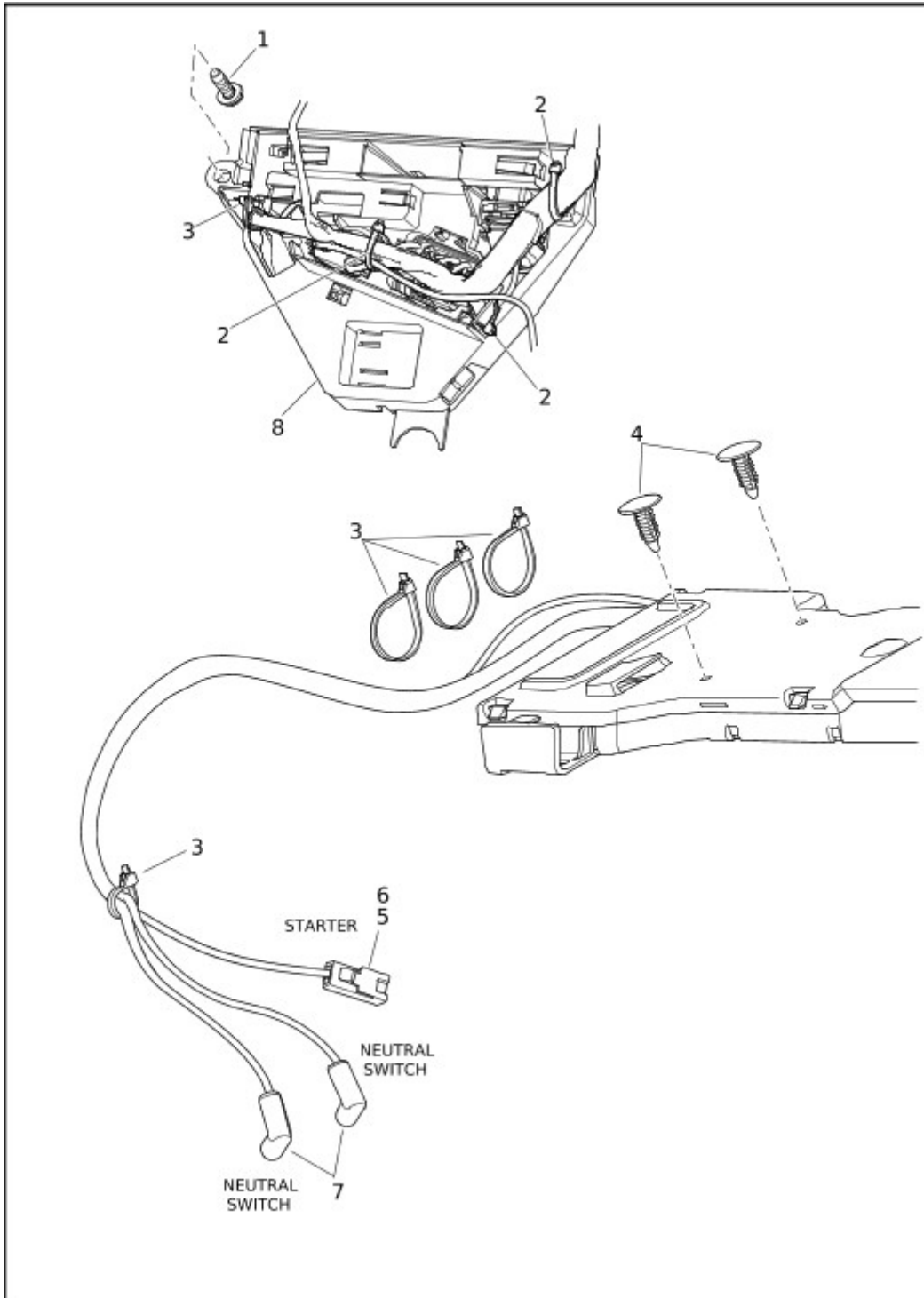
VIEW INTERACTIVE IMAGE

View interactive table

INDEX NO.	PART NO.	DESCRIPTION	MODEL(S)
	69202231	MAIN WIRING HARNESS	FLTRK
NOTE: Includes the following parts.			
1	9819	TERMINAL, 1/4 in ring, 12 AWG (2)	FLTRK
2	10065	CABLE STRAP	FLTRK

INDEX NO.	PART NO.	DESCRIPTION	MODEL(S)
3	72167-07BK	HOUSING, 16-way pin (black)	FLTRK
4	72168-07	TERMINAL, socket, 18-20 AWG (6)	FLTRK
5	72169-07	TERMINAL, pin, 16-20 AWG (23)	FLTRK
6	72188-07BK	HOUSING, six-way pin (black)	FLTRK
7	72414-07BK	HOUSING, six-way socket (black)	FLTRK
8	72415-07GY	HOUSING, four-way pin (gray)	FLTRK
9	72473-07	SEAL PIN (3)	FLTRK
10	73213-07	RETAINER, anchored (3)	FLTRK
11	69201017	WIRE HARNESS, AM/FM antenna	FLTRK
12	69201018A	WIRE HARNESS, CB antenna	FLTRK
13	69201596	TERMINAL, ring, 8-10 AWG	FLTRK
14	69202219	HEAT SHRINK TUBE, .415 x 1 (black)	FLTRK

WIRING HARNESS, MAIN - FLTRK (6 OF 10)



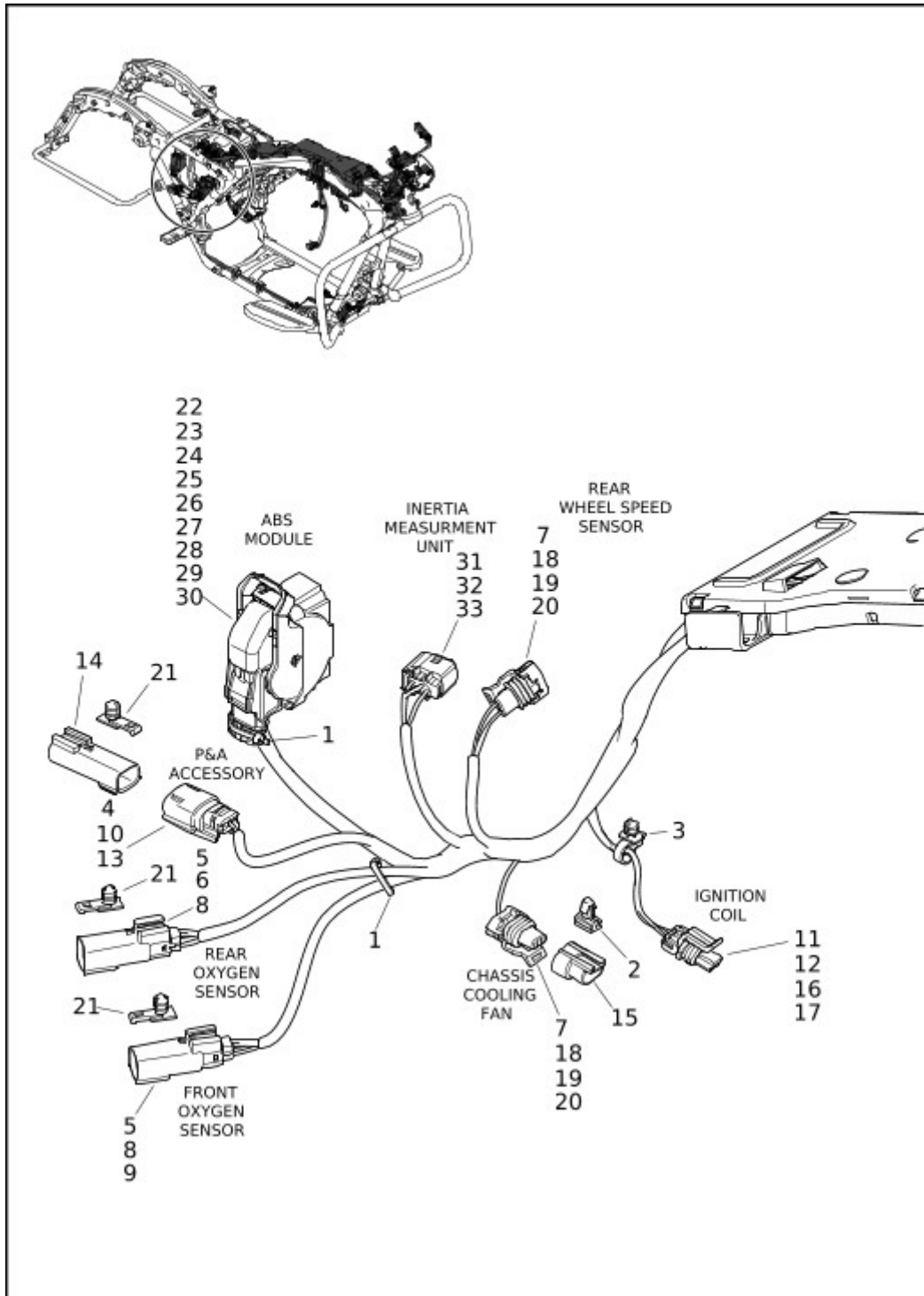
VIEW INTERACTIVE IMAGE

[View interactive table](#)

INDEX NO.	PART NO.	DESCRIPTION	MODEL(S)
1	3634	SCREW (2)	FLTRK
	69202231	MAIN WIRING HARNESS	FLTRK
NOTE: Includes the following parts.			
2	10006	CABLE STRAP (3)	FLTRK

INDEX NO.	PART NO.	DESCRIPTION	MODEL(S)
3	10065	CABLE STRAP (5)	FLTRK
4	11779	FASTENER, push-in (black) (2)	FLTRK
5	72291-94	TERMINAL, socket, 14-16 AWG	FLTRK
6	72295-94	CONNECTOR, starter housing	FLTRK
7	72405-98BK	WIRE ASSEMBLY, push-on, right angle molded, 65-1/2 in length (2)	FLTRK
8	69200175	CADDY, fuse block, electrical panel	FLTRK

WIRING HARNESS, MAIN - FLTRK (7 OF 10)



VIEW INTERACTIVE IMAGE

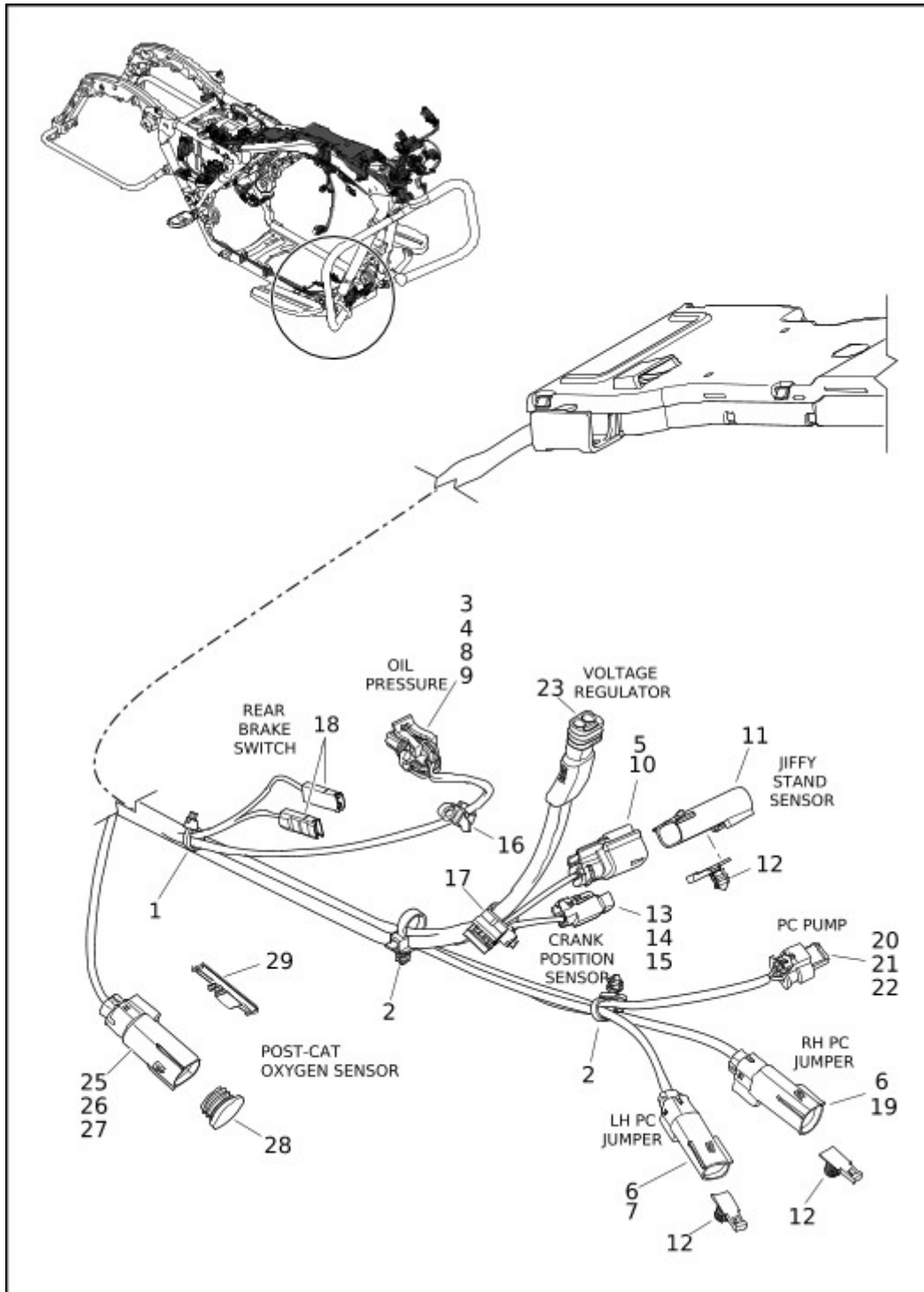
View interactive table

INDEX NO.	PART NO.	DESCRIPTION	MODEL(S)
	69202231	MAIN WIRING HARNESS	FLTRK
NOTE: Includes the following parts.			
1	10065	CABLE STRAP (2)	FLTRK
2	10147	CLIP	FLTRK

INDEX NO.	PART NO.	DESCRIPTION	MODEL(S)
3	10177	CABLE STRAP, anchored	FLTRK
4	72168-07	TERMINAL, socket, 18-20 AWG (2)	FLTRK
5	72169-07	TERMINAL, pin, 16-20 AWG (4)	FLTRK
6	72175-07BK	HOUSING, four-way pin (black)	FLTRK
7	72213-94	TERMINAL, socket, 16-20 AWG (4)	FLTRK
8	72343-10	TERMINAL, pin, 16-20 AWG (4)	FLTRK
9	72415-07GY	HOUSING, four-way pin (gray)	FLTRK
10	72473-07	SEAL PIN, natural	FLTRK
11	72484-08	TERMINAL, socket, 20 AWG (6)	FLTRK
12	72486-08	WIRE SEAL, 20 AWG (green) (6)	FLTRK
13	72512-07BK	HOUSING, three-way socket (black)	FLTRK
14	72519-09BK	DUST CAP, three-way socket (black)	FLTRK
15	72533-06	PLUG, weather, two-way pin	FLTRK
16	72544-07	SECONDARY LOCK, three-way socket	FLTRK
17	72589-09	HOUSING, three-way socket (black)	FLTRK
18	72606-08	HOUSING, two-way socket (black) (2)	FLTRK
19	72609-08	SECONDARY LOCK, two-way socket (2)	FLTRK
20	72610-08	WIRE SEAL, 18-20 AWG (white) (4)	FLTRK
21	73213-07	RETAINER, anchored (3)	FLTRK
22	69200183	HOUSING, 26-way socket	FLTRK
23	72209-11	COVER, 26-way socket	FLTRK
24	69200185	TERMINAL, socket, 20 AWG (6)	FLTRK
25	69200186	TERMINAL, socket, 14-16 AWG (2)	FLTRK
26	69200187	TERMINAL, socket, 12 AWG (2)	FLTRK
27	69200188	WIRE SEAL, 20 AWG (gray) (6)	FLTRK
28	69200189	WIRE SEAL, 14-16 AWG (brown) (2)	FLTRK
29	69200190	WIRE SEAL, 12 AWG (blue) (2)	FLTRK
30	69200191	SEAL PIN (16)	FLTRK
31	69201301	WIRE SEAL, 20-22 AWG (green) (4)	FLTRK

INDEX NO.	PART NO.	DESCRIPTION	MODEL(S)
32	69201779	HOUSING, four-way (black)	FLTRK
33	69201814	TERMINAL, socket (4)	FLTRK

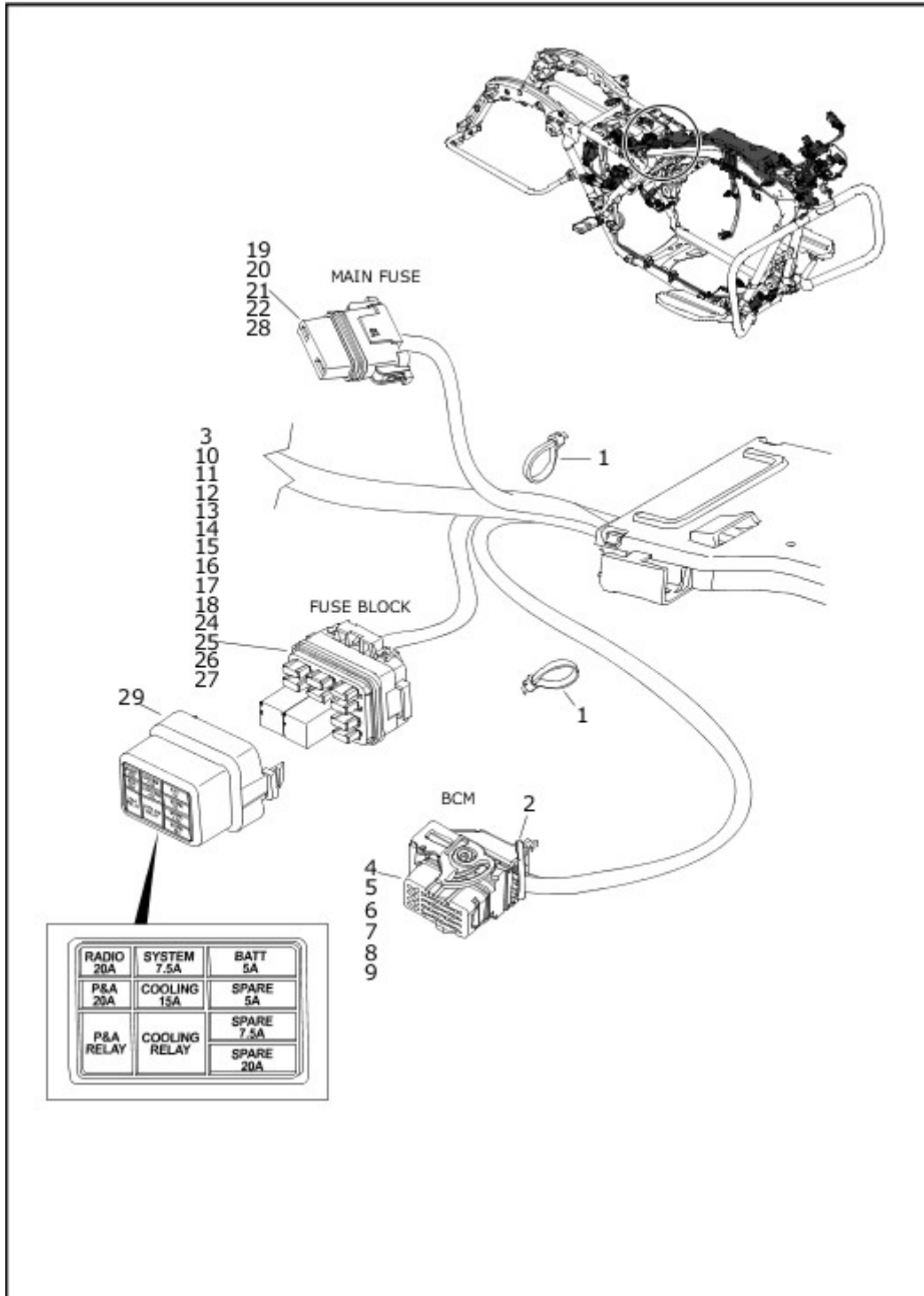
WIRING HARNESS, MAIN - FLTRK (8 OF 10)



[VIEW INTERACTIVE IMAGE](#)

[View interactive table](#)

INDEX NO.	PART NO.	DESCRIPTION	MODEL(S)
	69202231	MAIN WIRING HARNESS	FLTRK
NOTE: Includes the following parts.			
1	10065	CABLE STRAP	FLTRK
2	10177	CABLE STRAP, anchored (2)	FLTRK
3	72065-06A	HOUSING, three-way socket (black)	FLTRK
4	72127-06	SECONDARY LOCK, three-way socket	FLTRK
5	72168-07	TERMINAL, socket, 18-20 AWG (3)	FLTRK
6	72169-07	TERMINAL, pin, 16-20 AWG (8)	FLTRK
7	72175-07BK	HOUSING, four-way pin (black) (2)	FLTRK
8	72484-08	TERMINAL, socket, 20 AWG (3)	FLTRK
9	72486-08	WIRE SEAL, 20 AWG (green) (3)	FLTRK
10	72512-07BK	HOUSING, three-way socket (black)	FLTRK
11	72519-09BK	DUST CAP, three-way socket (black)	FLTRK
12	73213-07	RETAINER, anchored (3)	FLTRK
13	74112-98BK	HOUSING, two-way socket (black)	FLTRK
14	74152-98	SECONDARY LOCK, two-way socket	FLTRK
15	74191-98	TERMINAL, socket, 16-20 AWG (2)	FLTRK
16	12500014	CABLE STRAP	FLTRK
17	12500018	CABLE STRAP	FLTRK
18	69200238	TERMINAL, insulated (2)	FLTRK
19	69200272	HOUSING, two-way pin (black)	FLTRK
20	69201301	WIRE SEAL, 20-22 AWG (green) (3)	FLTRK
21	69201406	HOUSING, three-way socket (black)	FLTRK
22	69201407	TERMINAL, socket, 20 AWG (3)	FLTRK
23	69201423	DC LEAD ASSEMBLY	FLTRK
24	72632-10	PLUG, weather, four-way pin	FLTRK
25	72343-10	TERMINAL, pin, 16-20 AWG (2)	FLTRK
26	69201722	ANCHOR	FLTRK



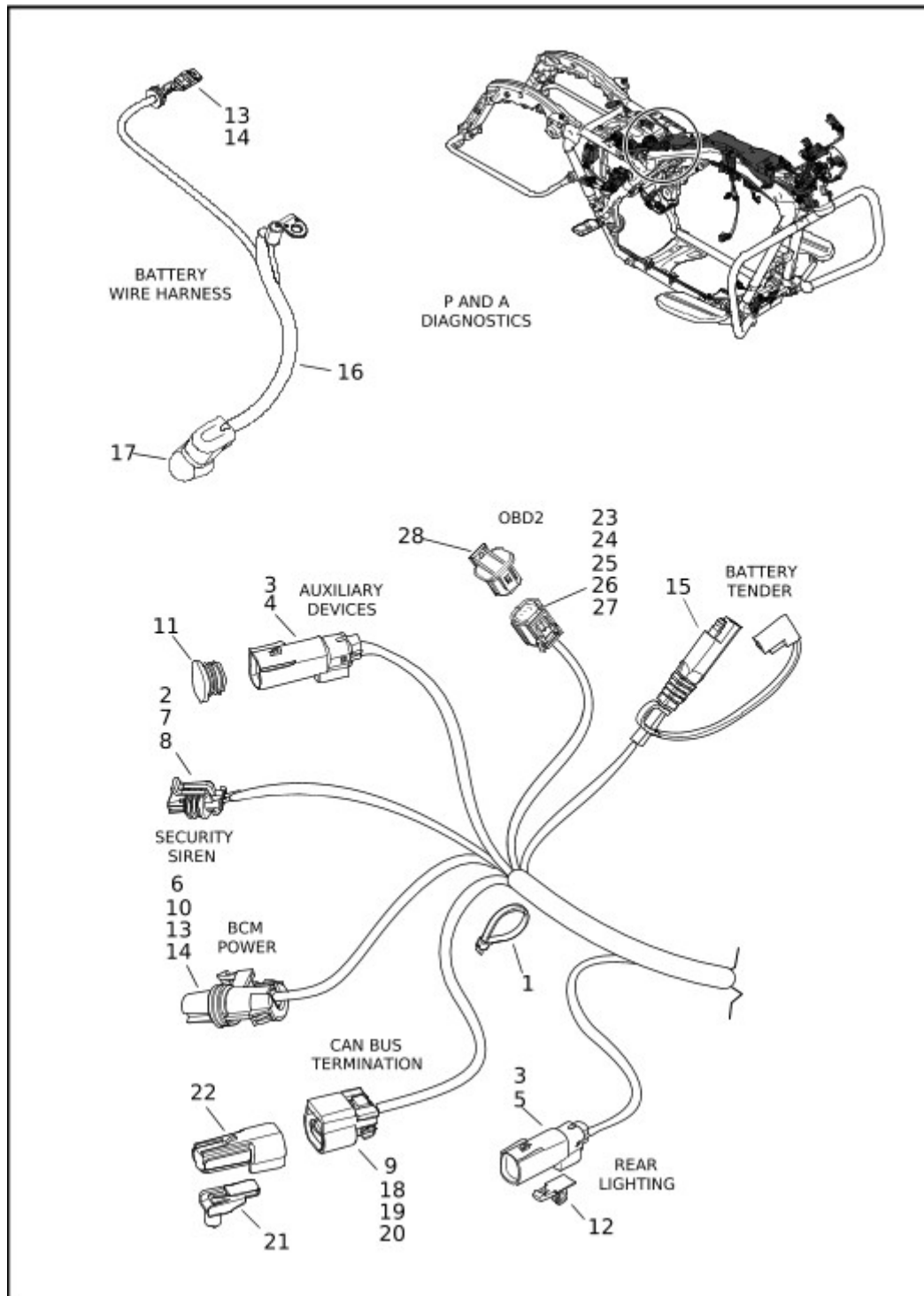
VIEW INTERACTIVE IMAGE

[View interactive table](#)

INDEX NO.	PART NO.	DESCRIPTION	MODEL(S)
	69202231	MAIN WIRING HARNESS	FLTRK
NOTE: Includes the following parts.			
1	10006	CABLE STRAP (2)	FLTRK

INDEX NO.	PART NO.	DESCRIPTION	MODEL(S)
2	10065	CABLE STRAP	FLTRK
3	31586-07	RELAY (2)	FLTRK
4	72081-11	HOUSING, 48-way socket (black)	FLTRK
5	72209-11	COVER, wire dress	FLTRK
6	72222-11	TERMINAL, socket, 18-20 AWG (20)	FLTRK
7	72226-11	TERMINAL, socket, 14-16 AWG	FLTRK
8	72227-11	TERMINAL, socket, 18-20 AWG (5)	FLTRK
9	72256-11	SEAL PIN (10)	FLTRK
10	72296-95	TERMINAL, socket, 14-16 AWG (3)	FLTRK
11	72298-95	PLUG, cavity (3)	FLTRK
12	72299-95	SEAL PIN (green) (4)	FLTRK
13	72308-97	TERMINAL, socket, 12-14 AWG (5)	FLTRK
14	72330-95	FUSE, 15 A (blue)	FLTRK
15	72331-95	FUSE, 5 A (tan) (2)	FLTRK
16	72345-02	FUSE, 20 A (yellow) (3)	FLTRK
17	72356-95	TERMINAL, socket, 18-20 AWG (12)	FLTRK
18	72412-97	WIRE SEAL, 12-14 AWG (gray) (5)	FLTRK
19	73301-04	HOUSING, two-way pin (black)	FLTRK
20	73303-04	SECONDARY LOCK, two-way socket (black)	FLTRK
21	73304-04	TERMINAL, socket, 10 AWG	FLTRK
22	73305-04	SEAL WIRE, 10 AWG (blue)	FLTRK
23	11100115	CLOTH, harness wrap, 50 m (not shown)	FLTRK
24	69200194	HOUSING, 24-way socket	FLTRK
25	69200199	WIRE SEAL, 18-20 AWG (12)	FLTRK
26	69200293	FUSE, 7.5 A (brown) (2)	FLTRK
27	69200312	SECONDARY LOCK, 24-way socket (3)	FLTRK
28	69200336A	MAIN FUSE, 50 A (red), NOTE: Fuse is sold separately and is not part of main harness.	FLTRK
29	69201411	COVER, fuse block	FLTRK

WIRING HARNESS, MAIN - FLTRK (10 OF 10)



VIEW INTERACTIVE IMAGE

[View interactive table](#)

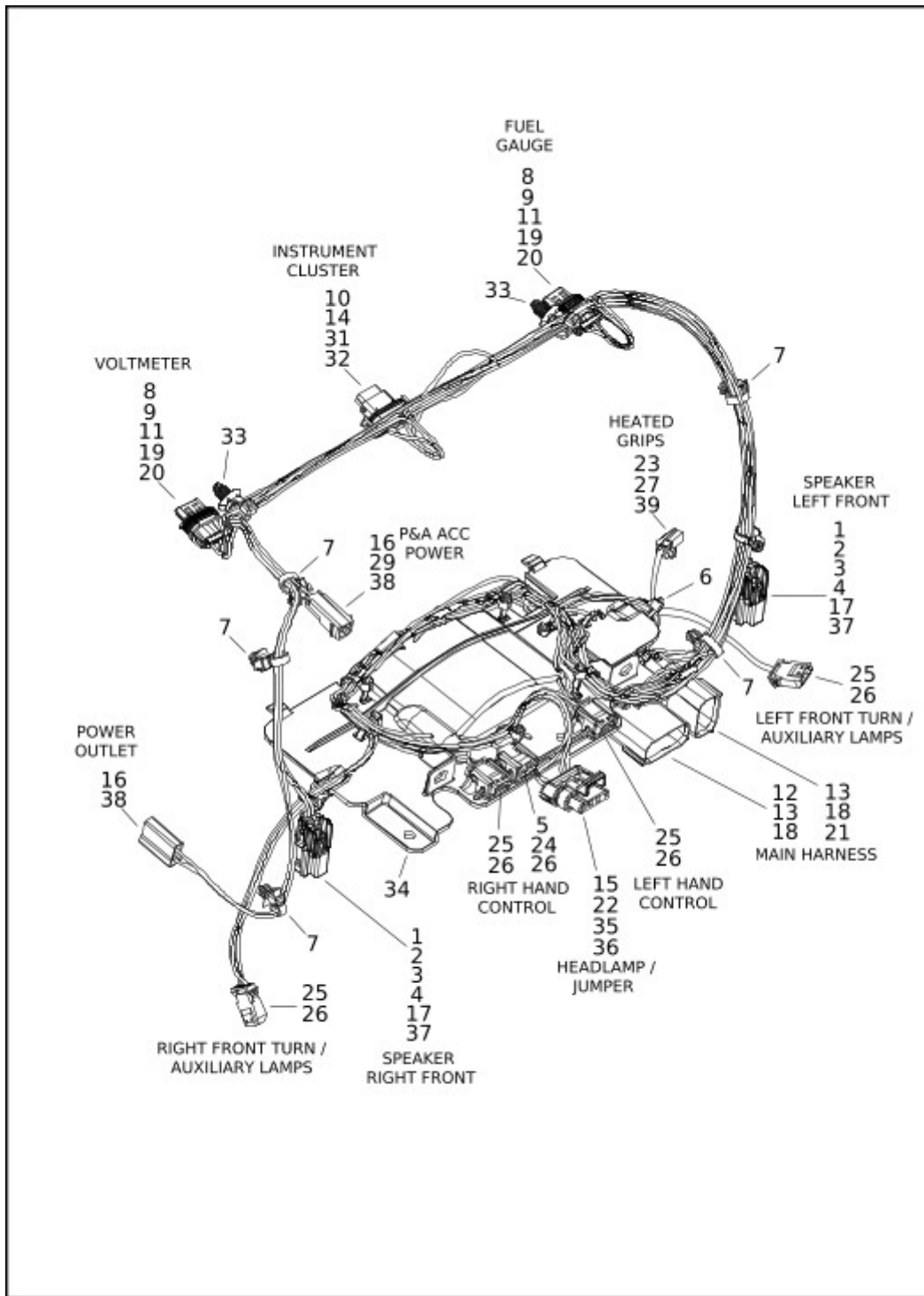
INDEX NO.	PART NO.	DESCRIPTION	MODEL(S)
	69202231	MAIN WIRING HARNESS	FLTRK

NOTE: Includes the following parts.

INDEX NO.	PART NO.	DESCRIPTION	MODEL(S)
1	10065	CABLE STRAP	FLTRK
2	72064-06	HOUSING, three-way socket (black)	FLTRK
3	72169-07	TERMINAL, pin, 16-20 AWG (10)	FLTRK
4	72175-07BK	HOUSING, four-way pin (gray)	FLTRK
5	72188-07BK	HOUSING, six-way pin (black)	FLTRK
6	72350-11	HOUSING, one-way socket (black)	FLTRK
7	72484-08	TERMINAL, socket, 20 AWG (3)	FLTRK
8	72486-08	WIRE SEAL, 20 AWG (green) (3)	FLTRK
9	72499-07	WIRE SEAL, 20-22 AWG (green) (2)	FLTRK
10	72575-11	SECONDARY LOCK, one-way socket (black)	FLTRK
11	72632-10	PLUG, weather, four-way pin	FLTRK
12	73213-07	RETAINER, anchored	FLTRK
13	73304-04	TERMINAL, socket, 10 AWG (2)	FLTRK
14	73305-04	SEAL WIRE, 10 AWG (blue) (2)	FLTRK
15	69200212	HARNESS, battery tender	FLTRK
16	69201130	WIRE HARNESS, battery positive to starter, with 73304-04, 73305-04 and 69201307	FLTRK
17	69201307	BOOT, battery positive	FLTRK
18	69201396	TERMINAL, socket, 20 AWG (2)	FLTRK
19	69201400	HOUSING, two-way socket (black)	FLTRK
20	69201401	SECONDARY LOCK, two-way socket	FLTRK
21	69201404	CONNECTOR, anchored	FLTRK
22	69201405	RESISTOR PACK	FLTRK
23	69202098	HOUSING, six-way socket (red)	FLTRK
24	69202109	SECONDARY LOCK, six-way	FLTRK
25	69202107	SEAL PIN (Lt. Gray) (2)	FLTRK
26	69202104	TERMINAL, socket 22AWG (4)	FLTRK
27	69202106	WIRE SEAL (4)	FLTRK

INDEX NO.	PART NO.	DESCRIPTION	MODEL(S)
28	69202108	CAP	FLTRK

WIRING HARNESS, FAIRING - FLHT, FLHX, FLXS AND FLH



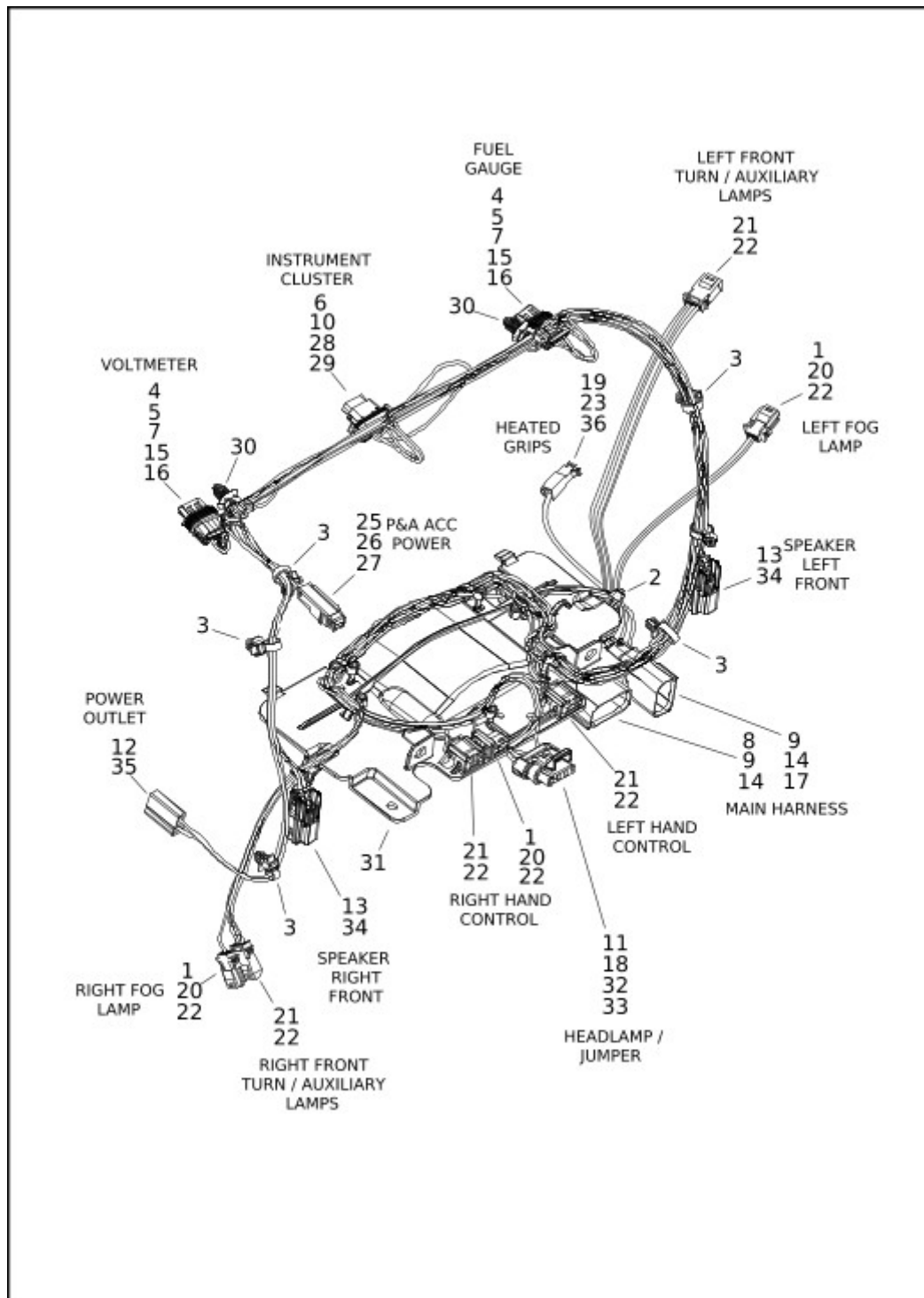
[VIEW INTERACTIVE IMAGE](#)

[View interactive table](#)

INDEX NO.	PART NO.	DESCRIPTION	MODEL(S)
1	72473-07	SEAL PIN (natural) (2)	FLHT
2	73213-07	RETAINER, anchored	FLHT
3	69200272	HOUSING, two-way pin (black)	FLHT
4	69202385	PLUG, weather, two-way pin	FLHT
	69202523	WIRING HARNESS, fairing	FLHT, FLHX, FLHXS
	69202712	WIRING HARNESS, fairing (not shown)	FLH
NOTE: Includes the following parts.			
5	5118	SEAL PIN	FLHT, FLHX, FLHXS
5	5118	SEAL PIN (2)	FLH
6	10065	CABLE STRAP (8)	FLH, FLHT, FLHX, FLHXS
7	10177	CABLE STRAP, anchored (5)	FLH, FLHT, FLHX, FLHXS
8	72066-06A	HOUSING, four-way socket (black) (2)	FLH, FLHT, FLHX, FLHXS
9	72097-06	SEAL PIN, orange (2)	FLH, FLHT, FLHX, FLHXS
10	72130-04	HOUSING, 12-way socket (black)	FLH, FLHT, FLHX, FLHXS
11	72135-06	SECONDARY LOCK, four-way socket (2)	FLH, FLHT, FLHX, FLHXS
12	72167-07BK	HOUSING, 16-way pin (black)	FLH, FLHT, FLHX, FLHXS
13	72169-07	TERMINAL, pin, 16-20 AWG (19)	FLH, FLHT, FLHX, FLHXS
14	72189-04	SEAL PIN (5)	FLH, FLHT, FLHX, FLHXS
15	72213-94	TERMINAL, socket, 16-20 AWG (4)	FLH, FLHT, FLHX, FLHXS
16	72264-94	TERMINAL, socket, 18-20 AWG (2)	FLH, FLHT, FLHX, FLHXS
17	72272-07	TERMINAL, socket, 14-16 AWG (4)	FLH, FLHT, FLHX, FLHXS
18	72473-07	SEAL PIN, natural (9)	FLH, FLHT, FLHX, FLHXS
19	72484-08	TERMINAL, socket, 20 AWG (6)	FLH, FLHT, FLHX, FLHXS
20	72486-08	WIRE SEAL, 20 AWG (green) (6)	FLH, FLHT, FLHX, FLHXS
21	72490-07GY	HOUSING, 12-way pin (gray)	FLH, FLHT, FLHX, FLHXS
22	72610-08	WIRE SEAL, 18-20 AWG (white) (4)	FLH, FLHT, FLHX, FLHXS
23	72902-01BK	DUST CAP, two-way pin (black)	FLH, FLHT, FLHX, FLHXS
24	72905-11	HOUSING, two-way pin (black)	FLHT, FLHX, FLHXS
24	72905-11	HOUSING, two-way pin (black) (3)	FLH

INDEX NO.	PART NO.	DESCRIPTION	MODEL(S)
25	72907-11	HOUSING, four-way pin (black) (4)	FLH, FLHT, FLHX, FLHXS
26	72909-11	TERMINAL, pin, 20-22 AWG (17)	FLHT, FLHX, FLHXS
26	72909-11	TERMINAL, pin, 20-22 AWG (19)	FLH
27	72912-01BK	HOUSING, two-way socket (black)	FLH, FLHT, FLHX, FLHXS
28	73102-96BK	HOUSING, two-way pin (black)	FLH, FLHT, FLHX, FLHXS
29	73152-96BK	DUST CAP, two-way socket (black)	FLH, FLHT, FLHX, FLHXS
30	73190-96	TERMINAL, pin, 16-20 AWG (2)	FLHT, FLHX, FLHXS
30	73190-96	TERMINAL, pin, 16-20 AWG (4)	FLH
31	74196-04	TERMINAL, socket, 20 AWG (7)	FLH, FLHT, FLHX, FLHXS
32	74197-04	SECONDARY LOCK, 12-way socket	FLH, FLHT, FLHX, FLHXS
33	12500002	CABLE STRAP (2)	FLH, FLHT, FLHX, FLHXS
34	69202485	CADDY, fairing harness	FLH, FLHT, FLHX, FLHXS
35	69200254	HOUSING, four-way socket	FLH, FLHT, FLHX, FLHXS
36	69200256	SECONDARY LOCK, four-way socket	FLH, FLHT, FLHX, FLHXS
37	69200271	HOUSING, two-way socket (black) (2)	FLH, FLHT, FLHX, FLHXS
38	69200337	HOUSING, two-way socket (gray)	FLH, FLHT, FLHX, FLHXS
39	69201240	TERMINAL, socket, 18 AWG (2)	FLH, FLHT, FLHX, FLHXS
40	73101-96BK	HOUSING, two-way pin (black) (not shown)	FLH

WIRING HARNESS, FAIRING - FLHTK



VIEW INTERACTIVE IMAGE

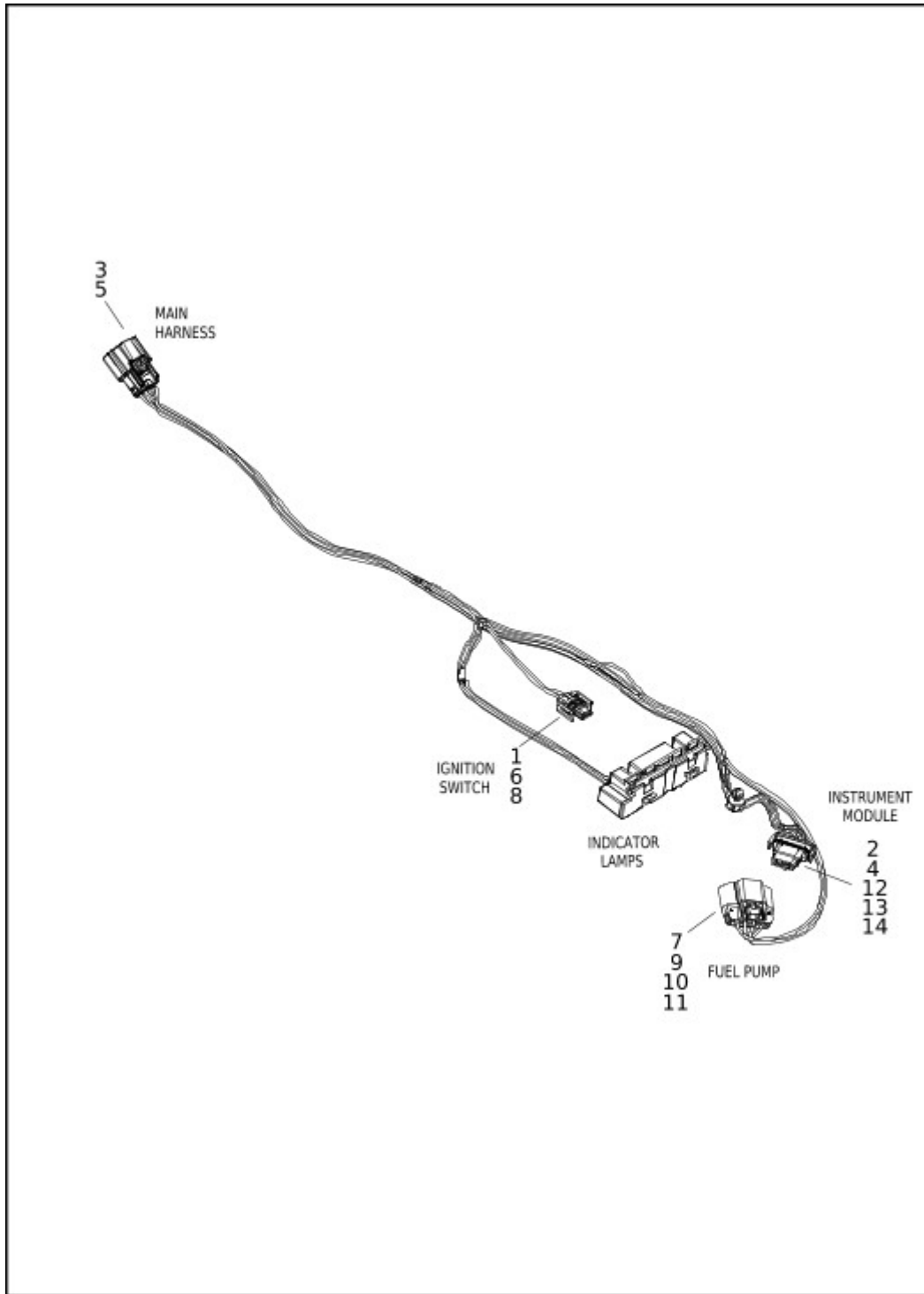
[View interactive table](#)

INDEX NO.	PART NO.	DESCRIPTION	MODEL(S)
	69202521	WIRING HARNESS, fairing	FLHTK, FLHTK SHRINE
NOTE: Includes the following parts.			
1	5118	SEAL PIN (3)	FLHTK, FLHTK SHRINE
2	10065	CABLE STRAP (8)	FLHTK, FLHTK SHRINE

INDEX NO.	PART NO.	DESCRIPTION	MODEL(S)
3	10177	CABLE STRAP, anchored (5)	FLHTK, FLHTK SHRINE
4	72066-06A	HOUSING, four-way socket (black) (2)	FLHTK, FLHTK SHRINE
5	72097-06	SEAL PIN, orange (2)	FLHTK, FLHTK SHRINE
6	72130-04	HOUSING, 12-way socket (black)	FLHTK, FLHTK SHRINE
7	72135-06	SECONDARY LOCK, four-way socket (2)	FLHTK, FLHTK SHRINE
8	72167-07BK	HOUSING, 16-way pin (black)	FLHTK, FLHTK SHRINE
9	72169-07	TERMINAL, pin, 16-20 AWG (19)	FLHTK, FLHTK SHRINE
10	72189-04	SEAL PIN (5)	FLHTK, FLHTK SHRINE
11	72213-94	TERMINAL, socket, 16-20 AWG (4)	FLHTK, FLHTK SHRINE
12	72264-94	TERMINAL, socket, 18-20 AWG (2)	FLHTK, FLHTK SHRINE
13	72272-07	TERMINAL, socket, 14-16 AWG (4)	FLHTK, FLHTK SHRINE
14	72473-07	SEAL PIN, natural (9)	FLHTK, FLHTK SHRINE
15	72484-08	TERMINAL, socket, 20 AWG (6)	FLHTK, FLHTK SHRINE
16	72486-08	WIRE SEAL, 20 AWG (green) (6)	FLHTK, FLHTK SHRINE
17	72490-07GY	HOUSING, 12-way pin (gray)	FLHTK, FLHTK SHRINE
18	72610-08	WIRE SEAL, 18-20 AWG (white) (4)	FLHTK, FLHTK SHRINE
19	72902-01BK	DUST CAP, two-way pin (black)	FLHTK, FLHTK SHRINE
20	72905-11	HOUSING, two-way pin (black) (3)	FLHTK, FLHTK SHRINE
21	72907-11	HOUSING, four-way pin (black) (4)	FLHTK, FLHTK SHRINE
22	72909-11	TERMINAL, pin, 20-22 AWG (19)	FLHTK, FLHTK SHRINE
23	72912-01BK	HOUSING, two-way socket (black)	FLHTK, FLHTK SHRINE
24	73101-96BK	HOUSING, two-way pin (black)	FLHTK, FLHTK SHRINE
25	73102-96BK	HOUSING, two-way pin (black)	FLHTK, FLHTK SHRINE
26	73152-96BK	DUST CAP, two-way socket (black)	FLHTK, FLHTK SHRINE
27	73190-96	TERMINAL, pin, 16-20 AWG (2)	FLHTK, FLHTK SHRINE
28	74196-04	TERMINAL, socket, 20 AWG (7)	FLHTK, FLHTK SHRINE
29	74197-04	SECONDARY LOCK, 12-way socket	FLHTK, FLHTK SHRINE
30	12500002	CABLE STRAP (2)	FLHTK, FLHTK SHRINE
31	69202485	CADDY, fairing harness	FLHTK, FLHTK SHRINE

INDEX NO.	PART NO.	DESCRIPTION	MODEL(S)
32	69200254	HOUSING, four-way socket	FLHTK, FLHTK SHRINE
33	69200256	SECONDARY LOCK, four-way socket	FLHTK, FLHTK SHRINE
34	69200271	HOUSING, two-way socket (black) (2)	FLHTK, FLHTK SHRINE
35	69200337	HOUSING, two-way socket (gray)	FLHTK, FLHTK SHRINE
36	69201240	TERMINAL, socket, 18 AWG (2)	FLHTK, FLHTK SHRINE

WIRING HARNESS, CONSOLE - FLHR AND FLHRXS



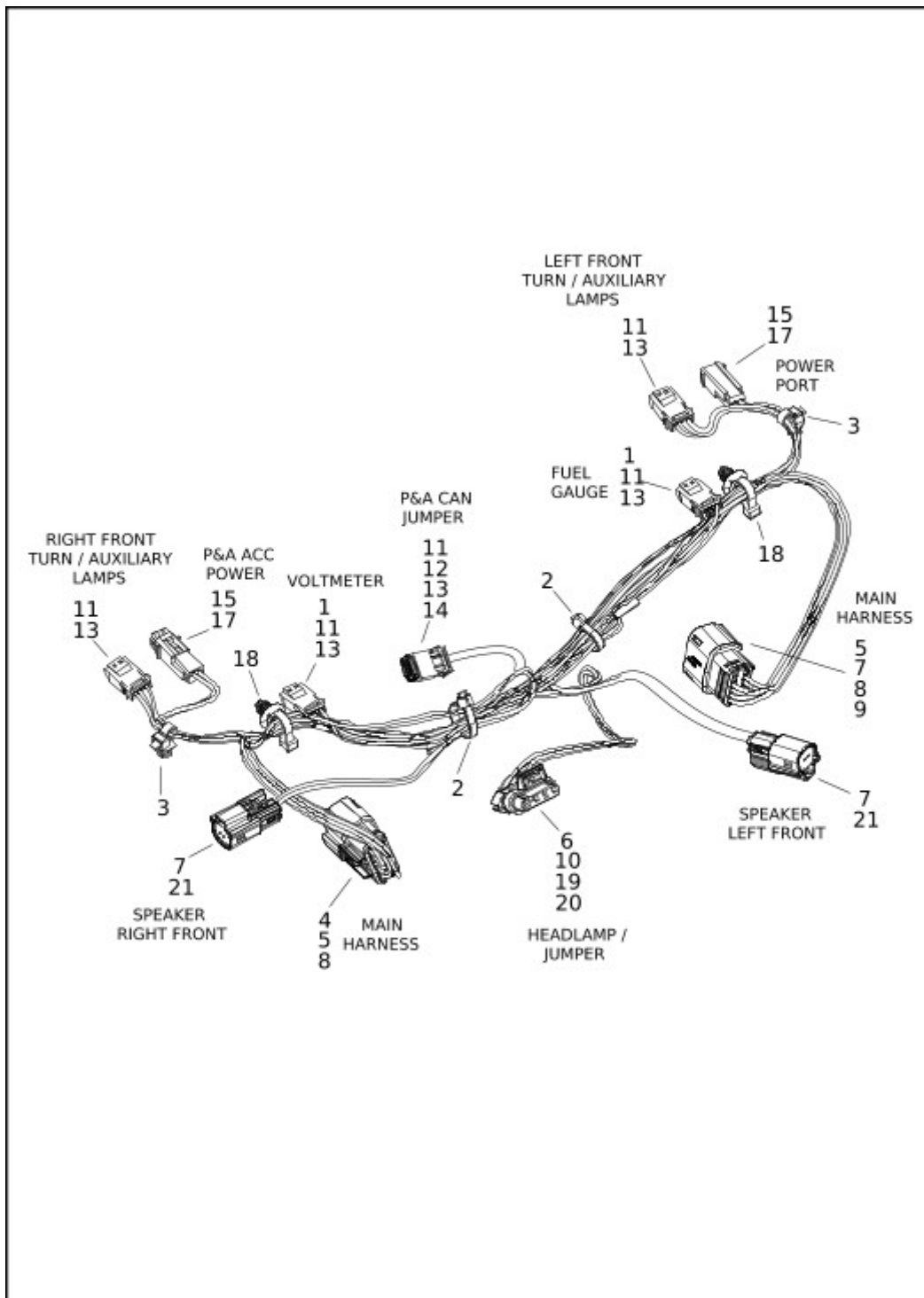
VIEW INTERACTIVE IMAGE

View interactive table

INDEX NO.	PART NO.	DESCRIPTION	MODEL(S)
	69200124	WIRE HARNESS, console	FLHR, FLHRXS
NOTE: Includes the following parts.			
1	72062-06	HOUSING, two-way socket (gray)	FLHR, FLHRXS
2	72130-04	HOUSING, 12-way socket (black)	FLHR, FLHRXS

INDEX NO.	PART NO.	DESCRIPTION	MODEL(S)
3	72168-07	TERMINAL, socket 18-20 AWG (8)	FLHR, FLHRXS
4	72189-04	SEAL PIN (2)	FLHR, FLHRXS
5	72479-07BK	HOUSING, eight-way socket (black)	FLHR, FLHRXS
6	72484-08	TERMINAL, socket, 20 AWG (2)	FLHR, FLHRXS
7	72485-07	HOUSING, four-way socket (black)	FLHR, FLHRXS
8	72486-08	WIRE SEAL, 20 AWG (green) (2)	FLHR, FLHRXS
9	72493-07	TERMINAL, socket, 16-18 AWG (4)	FLHR, FLHRXS
10	72494-07	WIRE SEAL, 16-18 AWG (yellow) (4)	FLHR, FLHRXS
11	72557-07	SECONDARY LOCK, four-way socket	FLHR, FLHRXS
12	72662-11	TERMINAL, socket, 22 AWG (5)	FLHR, FLHRXS
13	74196-04	TERMINAL, socket, 20 AWG (5)	FLHR, FLHRXS
14	74197-04	SECONDARY LOCK, 12-way socket	FLHR, FLHRXS

WIRING HARNESS, FAIRING - FLTRK, FLTRX AND FLTRXS



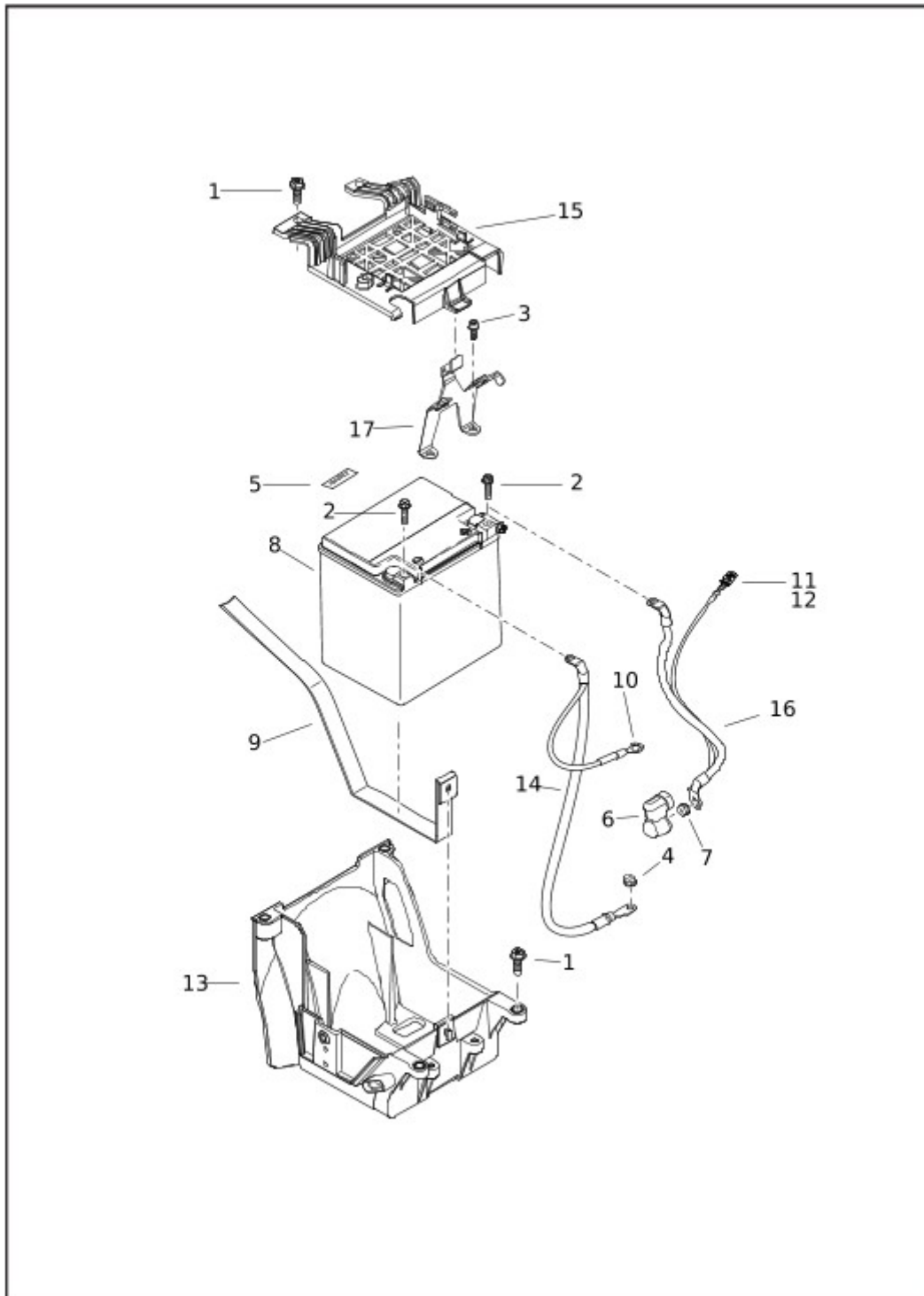
VIEW INTERACTIVE IMAGE

[View interactive table](#)

INDEX NO.	PART NO.	DESCRIPTION	MODEL(S)
	69200122A	WIRING HARNESS - FAIRING	FLTRK, FLTRX, FLTRXS
NOTE: Includes the following parts.			
1	5118	SEAL PIN (2)	FLTRK, FLTRX, FLTRXS
2	10006	CABLE STRAP (2)	FLTRK, FLTRX, FLTRXS

INDEX NO.	PART NO.	DESCRIPTION	MODEL(S)
3	10177	CABLE STRAP, anchored (2)	FLTRK, FLTRX, FLTRXS
4	72166-07BK	HOUSING, 16-way socket (black)	FLTRK, FLTRX, FLTRXS
5	72168-07	TERMINAL, socket, 18-20 AWG (16)	FLTRK, FLTRX, FLTRXS
6	72213-94	TERMINAL, socket, 16-20 AWG (4)	FLTRK, FLTRX, FLTRXS
7	72272-07	TERMINAL, socket, 14-16 AWG (8)	FLTRK, FLTRX, FLTRXS
8	72473-07	SEAL PIN, natural (8)	FLTRK, FLTRX, FLTRXS
9	72489-07GY	HOUSING, 12-way socket (gray)	FLTRK, FLTRX, FLTRXS
10	72610-08	WIRE SEAL, 18-20 AWG (white) (4)	FLTRK, FLTRX, FLTRXS
11	72907-11	HOUSING, four-way pin (black) (5)	FLTRK, FLTRX, FLTRXS
12	72908-11	HOUSING, four-way socket (black)	FLTRK, FLTRX, FLTRXS
13	72909-11	TERMINAL, pin, 20-22 AWG (18)	FLTRK, FLTRX, FLTRXS
14	72910-11	TERMINAL, socket, 20-22 AWG (4)	FLTRK, FLTRX, FLTRXS
15	73102-96BK	HOUSING, two-way pin (black) (2)	FLTRK, FLTRX, FLTRXS
16	73152-96BK	HOUSING, two-way socket (black)	FLTRK, FLTRX, FLTRXS
17	73190-96	TERMINAL, pin, 16-20 AWG (4)	FLTRK, FLTRX, FLTRXS
18	12500002	CABLE STRAP (2)	FLTRK, FLTRX, FLTRXS
19	69200254	HOUSING, four-way socket	FLTRK, FLTRX, FLTRXS
20	69200256	SECONDARY LOCK, four-way socket	FLTRK, FLTRX, FLTRXS
21	69200271	HOUSING, two-way socket (black) (2)	FLTRK, FLTRX, FLTRXS

BATTERY



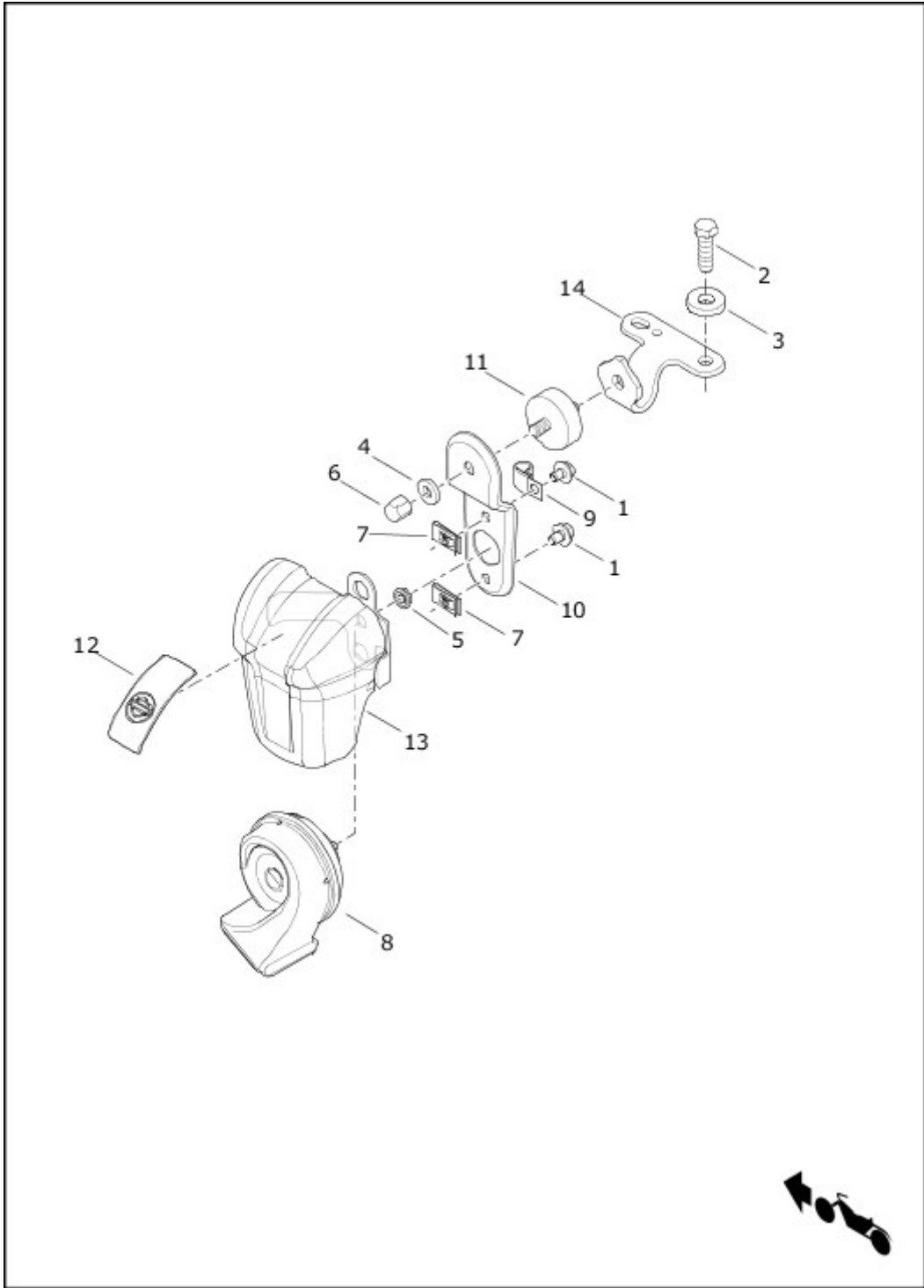
VIEW INTERACTIVE IMAGE

View interactive table

INDEX NO.	PART NO.	DESCRIPTION	MODEL(S)
1	3634	SCREW (6)	ALL
2	4312C	SCREW (2)	ALL
3	4705	SCREW (2)	ALL

INDEX NO.	PART NO.	DESCRIPTION	MODEL(S)
4	7792	NUT	ALL
5	15368-01A	LABEL, battery warning	ALL
5	14001739	LABEL, battery warning (Brazil)	FLHRXS, FLHTK, FLHXS, FLTRK, FLTRXS
5	14002218	LABEL, battery warning (HD3)	ALL
6	69201307	BOOT, battery positive	ALL
7	31694-90	NUT	ALL
8	66010-97E	BATTERY, with 4312C (Domestic)	ALL
8	66000066A	BATTERY, with 4312C (Brazil)	FLHRXS, FLHTK, FLHXS, FLTRK, FLTRXS
8	66000212A	BATTERY KIT, 66010-97E (all except Brazil and Domestic)	ALL
9	66051-08	STRAP, battery removal	ALL
10	9819	TERMINAL, ring, 12 AWG	ALL
11	73304-04	TERMINAL, socket, 10 AWG	ALL
12	73305-04	SEAL WIRE, 10 AWG (blue)	ALL
13	66000010A	BATTERY TRAY	ALL
14	66000116	CABLE ASSEMBLY, starter to ground, with 9819	ALL
15	69202307	CADDY, electronic control module (ECM)	ALL
16	69201130	WIRE HARNESS, battery positive to starter, with 73304-04, 73305-04 and 69201307	ALL
17	69201178	BRACKET, battery hold down	ALL

HORN



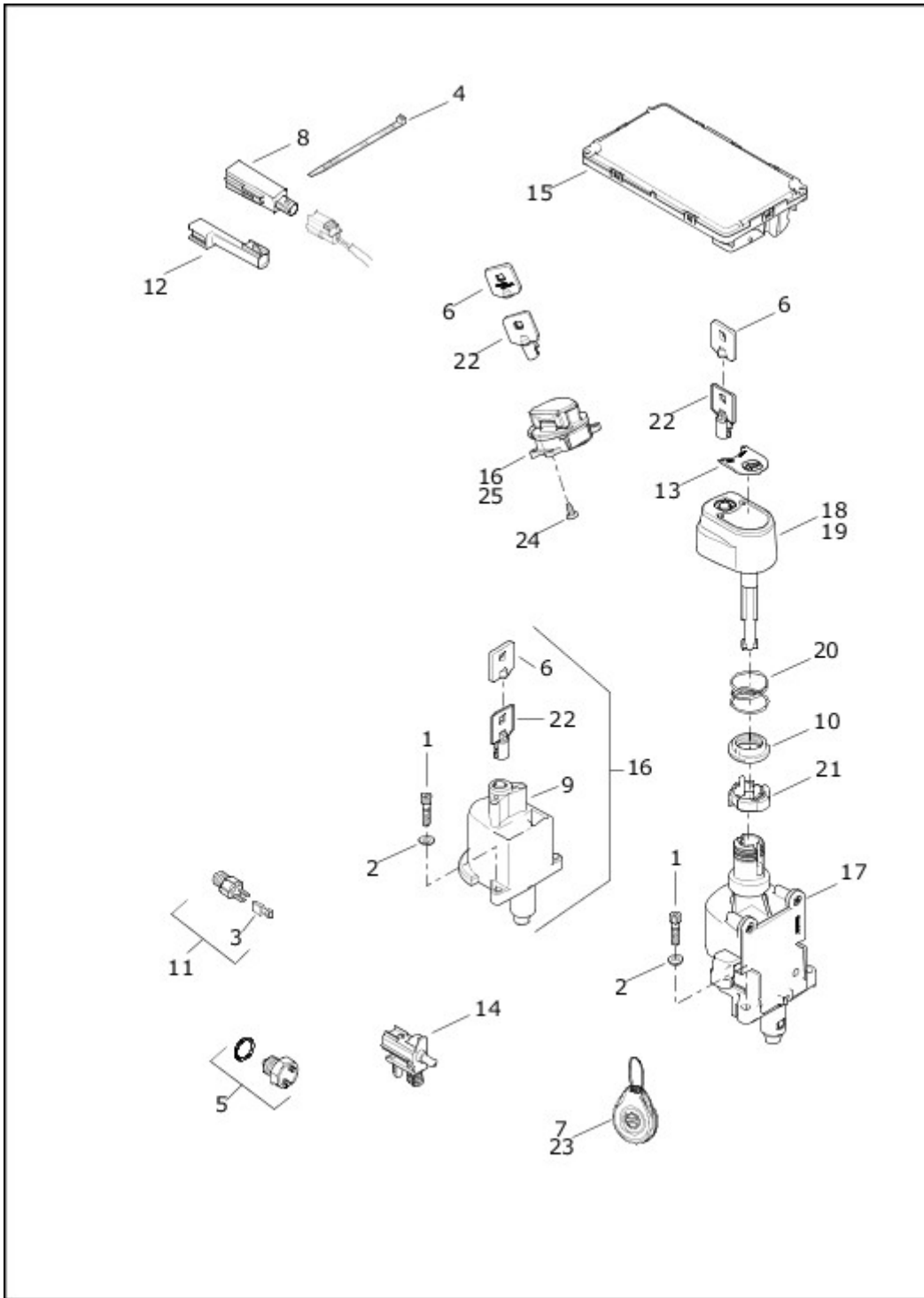
VIEW INTERACTIVE IMAGE

View interactive table

INDEX NO.	PART NO.	DESCRIPTION	MODEL(S)
1	3563	SCREW (2)	ALL
2	4775	SCREW (2)	ALL
3	6019	WASHER (2)	ALL

INDEX NO.	PART NO.	DESCRIPTION	MODEL(S)
4	6109	WASHER	ALL
5	7495	NUT	ALL
6	7549A	ACORN NUT	ALL
7	8108	SPEEDNUT (2)	ALL
8	69060-90H	HORN ASSEMBLY	ALL
9	69062-91A	CLAMP	ALL
10	69120-91	BRACKET, horn	ALL
11	69123-92A	MOUNT, horn, rubber	ALL
12	14100764	INSERT, horn	ALL
13	61300523A	COVER, horn (chrome)	FLH, FLHR, FLHT, FLHTK, FLHTK SHRINE, FLHX, FLHXS, FLTRK, FLTRX, FLTRXS
13	61300626A	COVER, horn (gloss black)	FLHRXS, FLHTK, FLHXS, FLTRK, FLTRXS
14	69000083	BRACKET ASSEMBLY, horn mount	ALL

SWITCHES (1 OF 2)



VIEW INTERACTIVE IMAGE

[View interactive table](#)

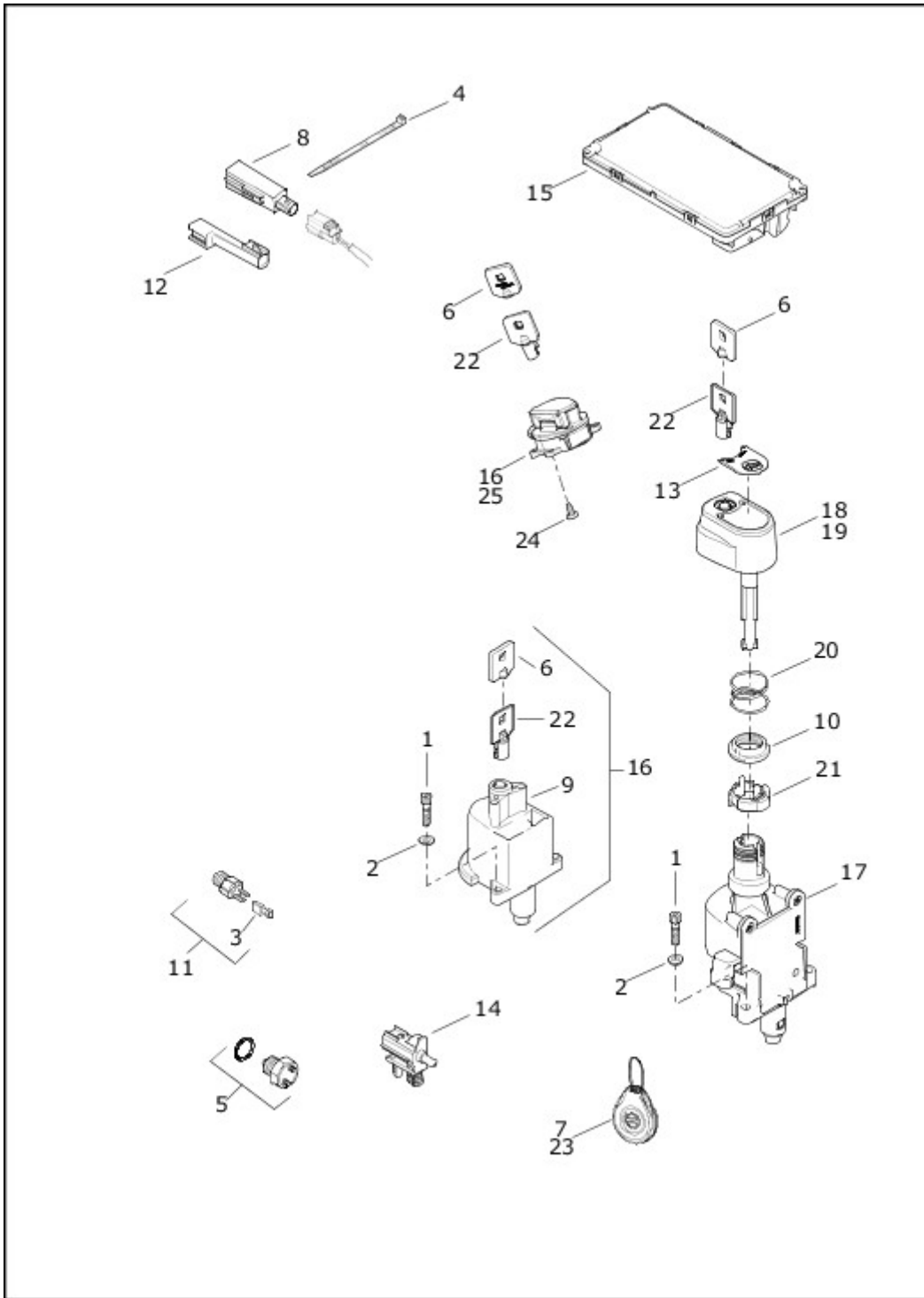
INDEX NO.	PART NO.	DESCRIPTION	MODEL(S)
1	2647B	SCREW (2)	ALL
2	6150W	WASHER (2)	ALL
3	9907	WIRE TERMINAL (2)	ALL

NOTE: For additional fuse and relay part number information see wiring harness pages.

INDEX NO.	PART NO.	DESCRIPTION	MODEL(S)
4	10065	CABLE STRAP (2)	ALL
5	33926-06B	SWITCH, neutral indicator, with O-ring	ALL
6	61081-92	COVER, key head (set of 2)	ALL
7	66373-06	BATTERY, 3V, CR2032 (2)	ALL
8	68956-07	ANTENNA MODULE, security system	ALL
9	71540-94B	FORK LOCK (specify key number)	FLHR, FLHRXS
10	71660-03A	NUT, ignition switch	FLH, FLHT, FLHTK, FLHTK SHRINE, FLHX, FLHXS, FLTRK, FLTRX, FLTRXS
11	72023-51E	KIT, SWITCH, rear brakelite, with 9907	ALL
12	72594-11	PLUG, weather, two-way socket (without security)	FLH, FLHR, FLHX, FLHXS, FLTRX, FLTRXS
13	14100158	DECAL, ignition switch knob (chrome)	FLHT, FLHTK, FLHTK SHRINE, FLHX, FLTRK, FLTRX
13	14100891	DECAL, ignition switch knob (black)	FLHTK, FLHTK SHRINE, FLTRK
14	32700010	SENSOR, ambient temperature	FLH, FLHT, FLHTK, FLHTK SHRINE, FLHX, FLHXS, FLTRK, FLTRX, FLTRXS
15	41000341F	BODY CONTROL MODULE (BCM) with security (Except Japan)	ALL
15	41000342F	BODY CONTROL MODULE (BCM) with security (Japan)	FLH, FLHR, FLHRXS, FLHT, FLHTK, FLHTK SHRINE, FLHXS, FLTRXS, FLTRXS

NOTE: For additional fuse and relay part number information see wiring harness pages.

SWITCHES (2 OF 2)



VIEW INTERACTIVE IMAGE

[View interactive table](#)

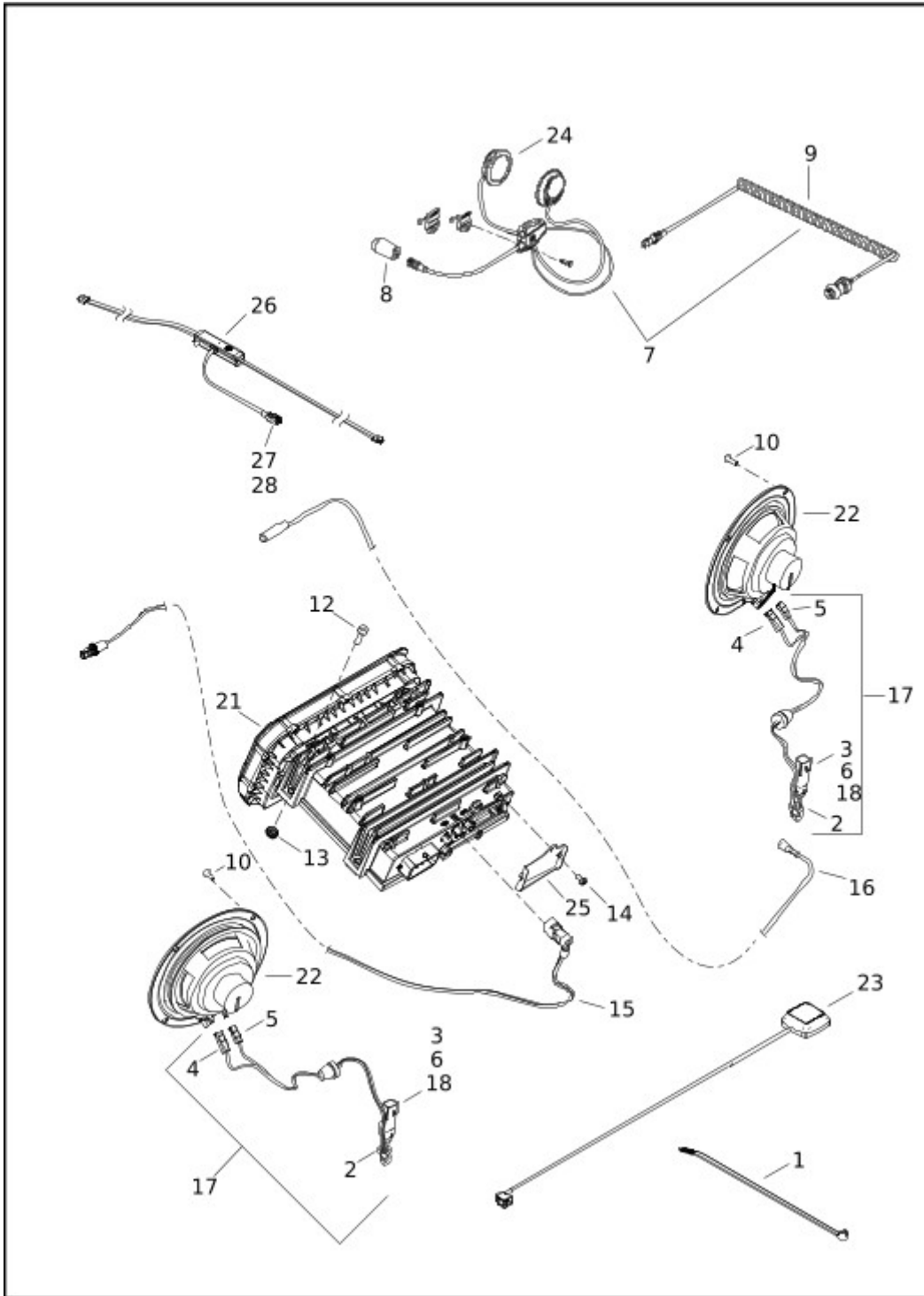
INDEX NO.	PART NO.	DESCRIPTION	MODEL(S)
16	71400010A	LOCKSET, complete, with keys, ignition switch, fork lock and saddle bag lock	FLHR, FLHRXS
17	71400012B	HOUSING, ignition switch, with 71660-03A and 71400081 (Domestic)	FLH, FLHT, FLHTK, FLHTK SHRINE, FLHX, FLHXS, FLTRK, FLTRX, FLTRXS

NOTE: For additional fuse and relay part number information see wiring harness pages.

INDEX NO.	PART NO.	DESCRIPTION	MODEL(S)
17	71400013B	HOUSING, ignition switch, with 71660-03A and 71400081 (HDI)	FLH, FLHT, FLHTK, FLHTK SHRINE, FLHX, FLHXS, FLTRK, FLTRX, FLTRXS
18	71400015B	LOCKSET, complete, with keys, ignition knob, saddlebag and Tour-Pak locks (chrome)	FLHTK, FLHTK SHRINE, FLTRK
18	71400016B	LOCKSET, complete, with keys, ignition knob and saddlebag lock (chrome)	FLH, FLHT, FLHX, FLHXS, FLTRX, FLTRXS
18	71400149	LOCKSET, complete, with keys, ignition knob and saddlebag lock (black)	FLHTK, FLHTK SHRINE, FLTRK
18	71400133A	LOCKSET, complete, with keys, ignition knob and saddlebag lock (black)	FLHXS, FLTRXS
19	71400017B	KNOB, ignition switch, with 14100158 (specify key number) (chrome)	FLH, FLHT, FLHTK, FLHTK SHRINE, FLHX, FLHXS, FLTRK, FLTRX
19	71400126B	KNOB, ignition switch (black) (specify key number)	FLHTK, FLHTK SHRINE, FLHXS, FLTRK, FLTRXS
20	71400073	SPRING, ignition knob	FLH, FLHT, FLHTK, FLHTK SHRINE, FLHX, FLHXS, FLTRK, FLTRX, FLTRXS
21	71400081	COLLAR, ignition switch, top	FLH, FLHT, FLHTK, FLHTK SHRINE, FLHX, FLHXS, FLTRK, FLTRX, FLTRXS
22	90300043	KEY, with 61081-92 (set of 2) (specify key number)	ALL
23	90300111	REMOTE CONTROL FOB, with 66373-06 (except Japan)	ALL
23	90300112	REMOTE CONTROL FOB, with 66373-06 (Japan)	ALL
24	3622	SCREW (4)	FLHR, FLHRXS
25	71517-11A	IGNITION SWITCH (specify key number)	FLHR, FLHRXS

NOTE: For additional fuse and relay part number information see wiring harness pages.

SOUND SYSTEM - FLHTK, FLHX, FLHXS AND FLH (1 OF 2)



VIEW INTERACTIVE IMAGE

[View interactive table](#)

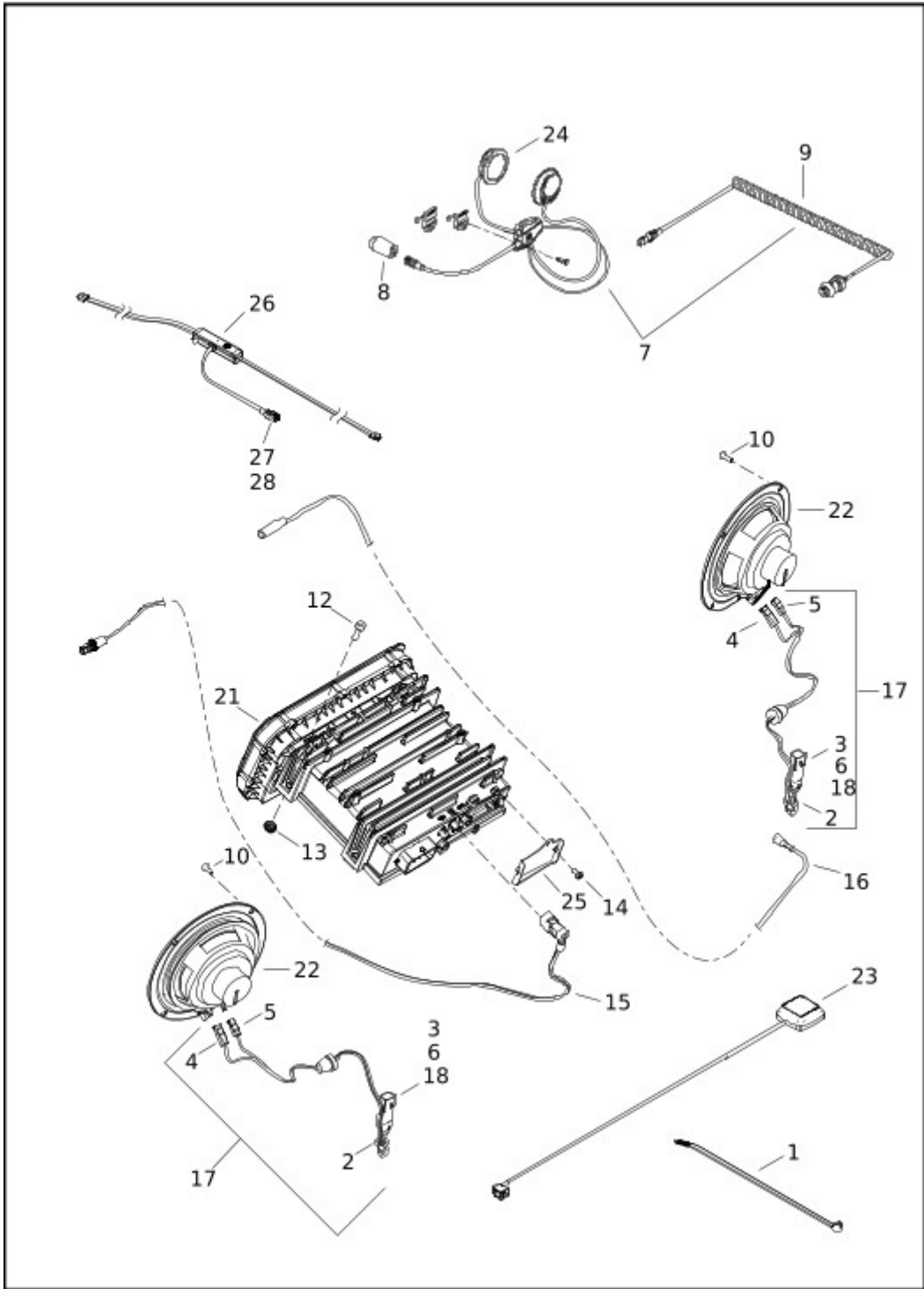
INDEX NO.	PART NO.	DESCRIPTION	MODEL(S)
1	10006	CABLE STRAP	FLHTK, FLHTK SHRINE, FLHX, FLHXS

NOTE: For all service and warranty claims on Boom!™ Audio System components please refer to the latest Warranty Bulletin revision of the Boom!™ Audio Systems Warranty Procedures located on h-dnet.com. Customer: For all service and warranty claims on Boom!™ Audio System components please contact your Harley-Davidson dealership.

INDEX NO.	PART NO.	DESCRIPTION	MODEL(S)
2	10065	CABLE STRAP (2)	FLH, FLHTK, FLHTK SHRINE, FLHX, FLHXS
3	72169-07	TERMINAL, pin, 16-20 AWG (4)	FLH, FLHTK, FLHTK SHRINE, FLHX, FLHXS
4	72290-94	TERMINAL, insulated (2)	FLH, FLHTK, FLHTK SHRINE, FLHX, FLHXS
5	72294-94	TERMINAL, insulated (2)	FLH, FLHTK, FLHTK SHRINE, FLHX, FLHXS
6	73213-07	RETAINER, anchored (2)	FLH, FLHTK, FLHTK SHRINE, FLHX, FLHXS
7	77117-10	HEADSET ASSEMBLY, with 77126-10, 77148-10 and 76000243	FLHTK, FLHTK SHRINE
8	77126-10	WIND SOCK, microphone (Domestic)	FLHTK, FLHTK SHRINE
8	77126-10	WIND SOCK, microphone (HDI) (2)	FLHTK, FLHTK SHRINE
9	77148-10	COILED CORD, headset (Domestic)	FLHTK, FLHTK SHRINE
9	77148-10	COILED CORD, headset (HDI) (2)	FLHTK, FLHTK SHRINE
10	10200205	SCREW (8)	FLH, FLHTK, FLHTK SHRINE, FLHX, FLHXS
12	12600070	BOLT (4)	FLH, FLHTK, FLHTK SHRINE, FLHX, FLHXS
13	12600071	RETAINER, bolt (4)	FLH, FLHTK, FLHTK SHRINE, FLHX, FLHXS
14	12600073	SCREW, accessory module (2)	FLH, FLHTK, FLHTK SHRINE, FLHX, FLHXS
15	69200032	WIRE HARNESS, AM/FM antenna	FLHTK, FLHTK SHRINE
	69200294	CABLE, AM/FM antenna	FLHX, FLHXS
16	69200136	WIRE HARNESS, C.B. antenna	FLHTK, FLHTK SHRINE
17	69200247	WIRE HARNESS, speaker jumper, with 10065, 72169-07, 72290-94, 72294-94, 73213-07 and 69200072 (2)	FLH, FLHTK, FLHTK SHRINE, FLHX, FLHXS
18	69200272	HOUSING, two-way pin (black) (2)	FLH, FLHTK, FLHTK SHRINE, FLHX, FLHXS

NOTE: For all service and warranty claims on Boom!™ Audio System components please refer to the latest Warranty Bulletin revision of the Boom!™ Audio Systems Warranty Procedures located on h-dnet.com. Customer: For all service and warranty claims on Boom!™ Audio System components please contact your Harley-Davidson dealership.

SOUND SYSTEM - FLHTK, FLHX, FLHXS AND FLH (2 OF 2)



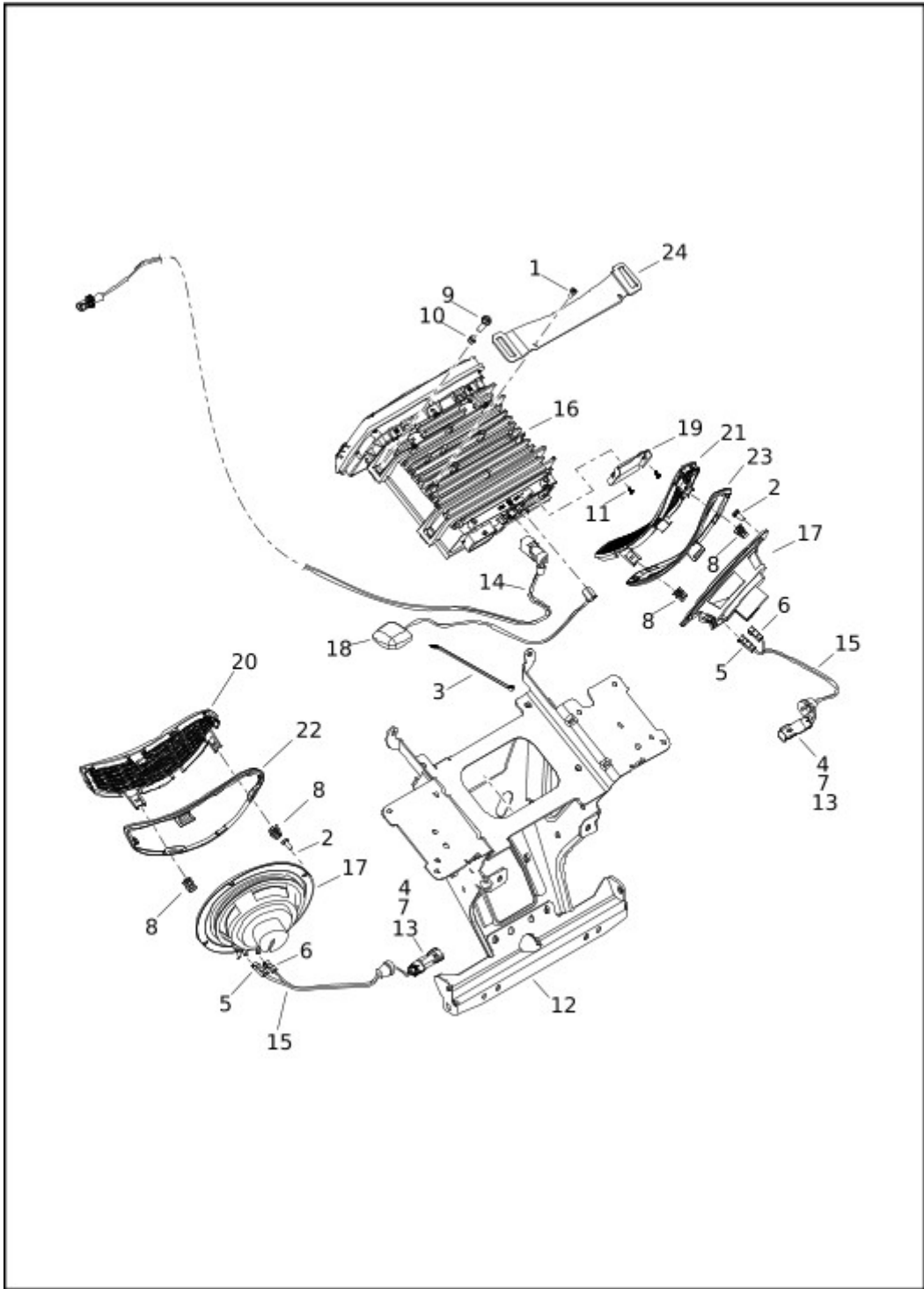
VIEW INTERACTIVE IMAGE

View interactive table

INDEX NO.	PART NO.	DESCRIPTION	MODEL(S)
21	76000783B	RADIO, BOOM!™ BOX GTS, with 12600070, 12600071, 12600073 and 76000252 (Domestic, California, Canada) (See NOTE 1)	FLH, FLHTK, FLHTK SHRINE, FLHX, FLHXS
21	76000784B	RADIO, BOOM!™ BOX GTS, with 12600070, 12600071, 12600073 and 76000252 (HDI, England) (See NOTE 2)	FLHTK, FLHX, FLHXS
21	76000785B	RADIO, BOOM!™ BOX GTS, with 12600070, 12600071, 12600073 and 76000252 (HDI, Australia, Japan, Asia-Pacific, Brazil, China) (See NOTE 3)	FLHTK, FLHX, FLHXS
21	76000075D	RADIO, BOOM!™ BOX 4.3, with 12600070 and 12600071 (Domestic, California)	FLHX
22	76000819	SPEAKER, 5-1/4 in (2)	FLH, FLHTK, FLHTK SHRINE, FLHX, FLHXS
23	76000789	ANTENNA, GPS	FLH, FLHTK, FLHTK SHRINE, FLHX, FLHXS
24	76000243	EAR PAD, foam (Domestic) (2)	FLHTK, FLHTK SHRINE
24	76000243	EAR PAD, foam (HDI) (4)	FLHTK, FLHTK SHRINE
25	76000252	PLATE, accessory module	FLH, FLHTK, FLHTK SHRINE, FLHXS
26	76000554	ANTENNA, with 72272-07 and 69200271	FLH
27	72272-07	TERMINAL, socket, 14-16 AWG (2)	FLH
28	69200271	HOUSING, two-way socket (black)	FLH

NOTE 1: 76000783B radio with the North America mapset is used in these countries/regions: Bahamas, Canada, Cayman Islands, Mexico, Puerto Rico and United States. NOTE 2: 76000784B radio with the European mapset is used in these countries/regions: Albania, Andorra, Austria, Belarus, Belgium, Bosnia Herzegovina, Bulgaria, Croatia, Czech Republic, Denmark, Estonia, Finland, France, Germany, Gibraltar, Greece, Hungary, Iceland, Ireland, Italy, Kosovo, Latvia, Liechtenstein, Lithuania, Luxembourg, Macedonia, Malta, Moldova, Monaco, Montenegro, Netherlands, Norway, Poland, Portugal, Romania, San Marino, Serbia, Slovakia, Slovenia, Spain, Sweden, Switzerland, Turkey, Ukraine, Ukraine (Crimea), United Kingdom (Great Britain) and Vatican City. NOTE 3: 76000785B radio with the Rest of World mapset is used in these countries/regions: Argentina, Australia, Azerbaijan, Bahrain, Botswana, Brazil, Brunei, Chile, China, Columbia, Costa Rica, Egypt, India, Indonesia, Jordan, Kazakhstan, Kenya, Kuwait, Lebanon, Lesotho, Malaysia, Morocco, Namibia, New Zealand, Nigeria, Oman, Paraguay, Peru, Qatar, Reunion, Russia, Saudi Arabia, Singapore, South Africa, Swaziland, Thailand, United Arab Emirates, Uruguay, Venezuela, Vietnam and the Rest of the World. NOTE: For all service and warranty claims on Boom!™ Audio System components please refer to the latest Warranty Bulletin revision of the Boom!™ Audio Systems Warranty Procedures located on h-dnet.com. Customer: For all service and warranty claims on Boom!™ Audio System components please contact your Harley-Davidson dealership.

SOUND SYSTEM - FLTRK, FLTRX AND FLTRXS (1 OF 2)



VIEW INTERACTIVE IMAGE

View interactive table

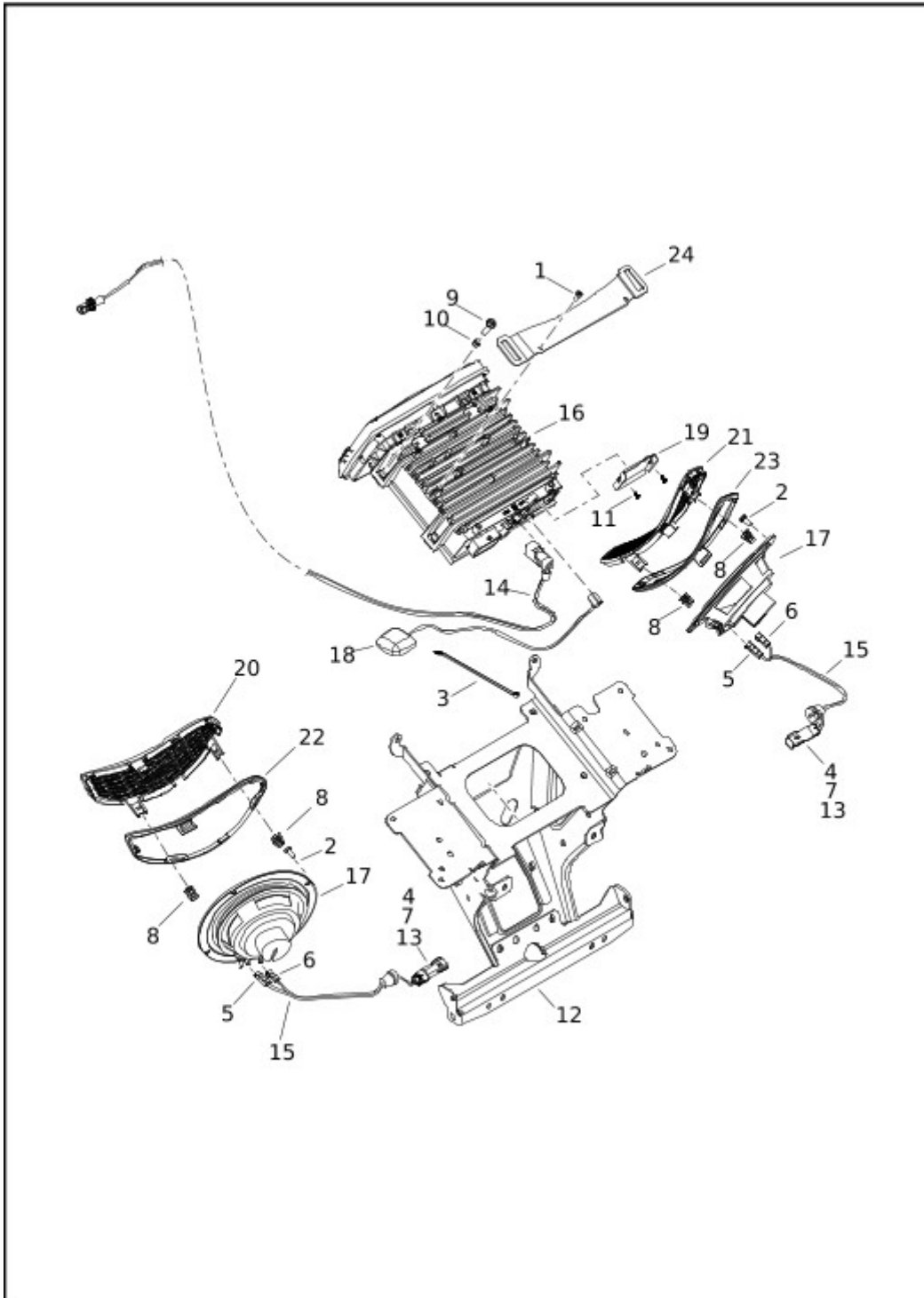
INDEX NO.	PART NO.	DESCRIPTION	MODEL(S)
1	2478	SCREW (2)	FLTRK, FLTRX, FLTRXS
2	3152	SCREW (8)	FLTRK, FLTRX, FLTRXS
3	10065	CABLE STRAP	FLTRK, FLTRX, FLTRXS
4	72169-07	TERMINAL, pin, 16-20 AWG (4)	FLTRK, FLTRX, FLTRXS
5	72290-94	TERMINAL, insulated (2)	FLTRK, FLTRX, FLTRXS
6	72294-94	TERMINAL, insulated (2)	FLTRK, FLTRX, FLTRXS
7	73213-07	RETAINER, anchored (2)	FLTRK, FLTRX, FLTRXS
8	12200025	CLIP (4)	FLTRK, FLTRX, FLTRXS
9	12600070	BOLT (4)	FLTRK, FLTRX, FLTRXS
10	12600071	RETAINER, bolt (4)	FLTRK, FLTRX, FLTRXS
11	12600073	SCREW, accessory module (2)	FLTRK, FLTRX, FLTRXS
12	47200217	BRACKET	FLTRK, FLTRX, FLTRXS
13	69200272	HOUSING, two-way pin (black) (2)	FLTRK, FLTRX, FLTRXS
14	69200629	WIRE HARNESS, AM/FM antenna	FLTRX, FLTRXS
14	69201017	WIRE HARNESS, AM/FM antenna	FLTRK
15	69200752	WIRE HARNESS, speaker jumper, with 72169-07, 72290-94, 72294-94, 73213-07 and 69200272 (2)	FLTRK, FLTRX, FLTRXS
16	76000779B	RADIO, BOOM! [™] BOX GTS, with 12600070, 12600071, 12600073 and 76000252 (Domestic, California, Canada) (See NOTE 1)	FLTRK, FLTRX, FLTRXS

NOTE 1: 76000779B radio with the North America mapset is used in these countries/regions: Bahamas, Canada, Cayman Islands, Mexico, Puerto Rico and United States. NOTE 2: 76000780B radio with the European mapset is used in these countries/regions: Albania, Andorra, Austria, Belarus, Belgium, Bosnia Herzegovina, Bulgaria, Croatia, Czech Republic, Denmark, Estonia, Finland, France, Germany, Gibraltar, Greece, Hungary, Iceland, Ireland, Italy, Kosovo, Latvia, Liechtenstein, Lithuania, Luxembourg, Macedonia, Malta, Moldova, Monaco, Montenegro, Netherlands, Norway, Poland, Portugal, Romania, San Marino, Serbia, Slovakia, Slovenia, Spain, Sweden, Switzerland, Turkey, Ukraine, Ukraine (Crimea), United Kingdom (Great Britain) and Vatican City. NOTE 3: 76000781B radio with the Rest of World mapset is used in these countries/regions: Argentina, Australia, Azerbaijan, Bahrain, Botswana, Brazil, Brunei, Chile, China, Columbia, Costa Rica, Egypt, India, Indonesia, Jordan, Kazakhstan, Kenya, Kuwait, Lebanon, Lesotho, Malaysia, Morocco, Namibia, New Zealand, Nigeria, Oman, Paraguay, Peru, Qatar, Reunion, Russia, Saudi Arabia, Singapore, South Africa, Swaziland, Thailand, United Arab Emirates, Uruguay, Venezuela, Vietnam and the Rest Of the World.

INDEX NO.	PART NO.	DESCRIPTION	MODEL(S)
16	76000780B	RADIO, BOOM!™ BOX GTS, with 12600070, 12600071, 12600073 and 76000252 (HDI, England) (See NOTE 2)	FLTRK, FLTRX, FLTRXS
16	76000781B	RADIO, BOOM!™ BOX GTS, with 12600070, 12600071, 12600073 and 76000252 (HDI, Australia, Japan, Asia-Pacific, China) (See NOTE 3)	FLTRK, FLTRX, FLTRXS
16	76000075D	RADIO, BOOM!™ BOX 4.3, with 12600070 and 12600071 (Domestic, California)	FLTRX

NOTE 1: 76000779B radio with the North America mapset is used in these countries/regions: Bahamas, Canada, Cayman Islands, Mexico, Puerto Rico and United States. NOTE 2: 76000780B radio with the European mapset is used in these countries/regions: Albania, Andorra, Austria, Belarus, Belgium, Bosnia Herzegovina, Bulgaria, Croatia, Czech Republic, Denmark, Estonia, Finland, France, Germany, Gibraltar, Greece, Hungary, Iceland, Ireland, Italy, Kosovo, Latvia, Liechtenstein, Lithuania, Luxembourg, Macedonia, Malta, Moldova, Monaco, Montenegro, Netherlands, Norway, Poland, Portugal, Romania, San Marino, Serbia, Slovakia, Slovenia, Spain, Sweden, Switzerland, Turkey, Ukraine, Ukraine (Crimea), United Kingdom (Great Britain) and Vatican City. NOTE 3: 76000781B radio with the Rest of World mapset is used in these countries/regions: Argentina, Australia, Azerbaijan, Bahrain, Botswana, Brazil, Brunei, Chile, China, Columbia, Costa Rica, Egypt, India, Indonesia, Jordan, Kazakhstan, Kenya, Kuwait, Lebanon, Lesotho, Malaysia, Morocco, Namibia, New Zealand, Nigeria, Oman, Paraguay, Peru, Qatar, Reunion, Russia, Saudi Arabia, Singapore, South Africa, Swaziland, Thailand, United Arab Emirates, Uruguay, Venezuela, Vietnam and the Rest Of the World.

SOUND SYSTEM - FLTRK, FLTRX AND FLTRXS (2 OF 2)



VIEW INTERACTIVE IMAGE

[View interactive table](#)

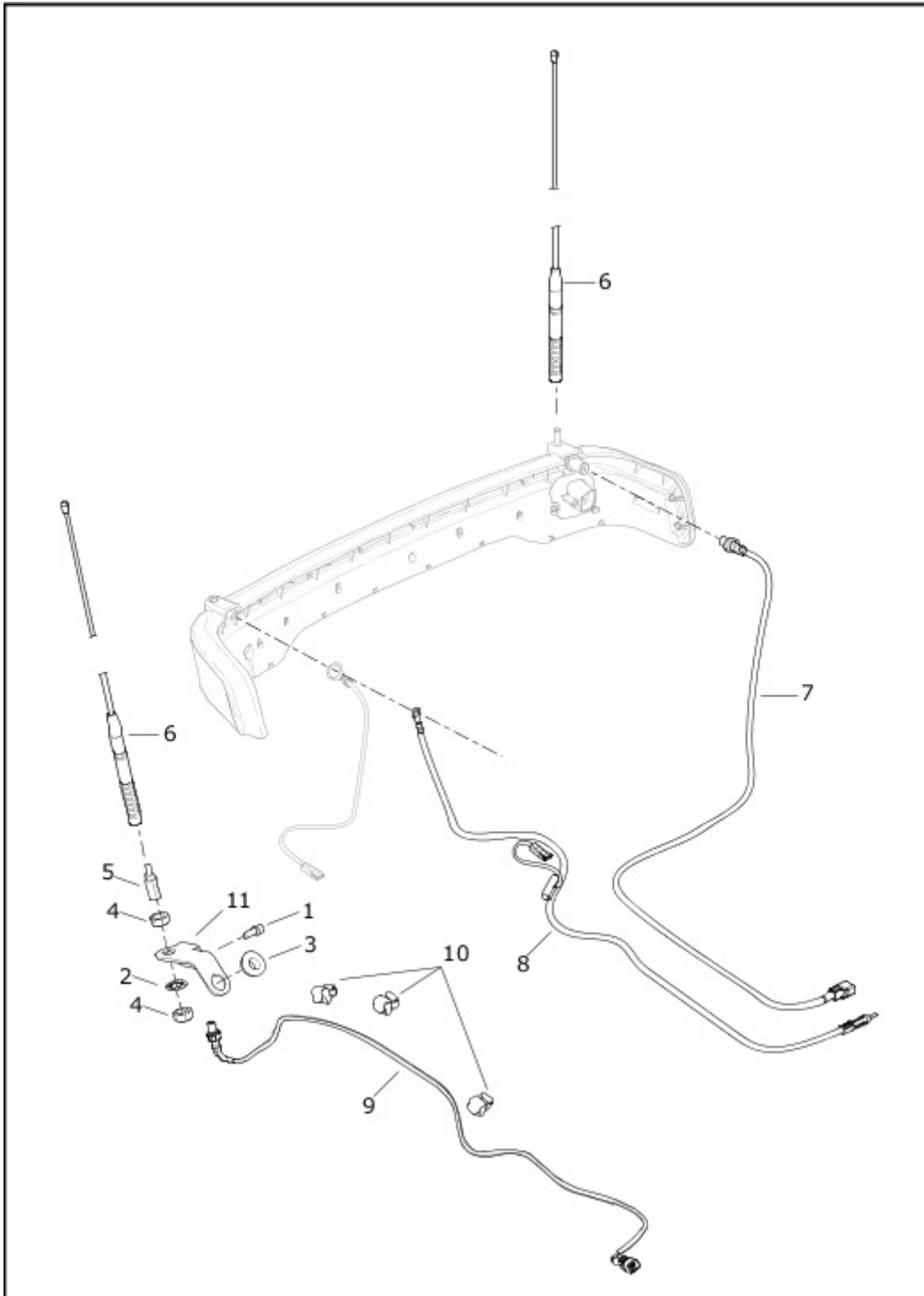
INDEX NO.	PART NO.	DESCRIPTION	MODEL(S)
17	76000819	SPEAKER, 5-1/4 in (2)	FLTRK, FLTRX, FLTRXS
18	76000789	ANTENNA, GPS	FLTRK, FLTRX, FLTRXS

NOTE: For all service and warranty claims on Boom!™ Audio System components please refer to the latest Warranty Bulletin revision of the Boom!™ Audio Systems Warranty Procedures located on h-dnet.com. Customer: For all service and warranty claims on Boom!™ Audio System components please contact your Harley-Davidson dealership.

INDEX NO.	PART NO.	DESCRIPTION	MODEL(S)
19	76000252	PLATE	FLTRK, FLTRX, FLTRXS
20	76000453	SPEAKER GRILLE (right)	FLTRX
20	76000879	SPEAKER GRILLE, with 12200025, 76000455 (right)	FLTRK, FLTRXS
21	76000454	SPEAKER GRILLE (left)	FLTRX
21	76000878	SPEAKER GRILLE, with 12200025, 76000917 (left)	FLTRK, FLTRXS
22	76000455	GASKET (right)	FLTRK, FLTRX, FLTRXS
23	76000917	GASKET (left)	FLTRK, FLTRX, FLTRXS
24	76000468	BRACKET, radio	FLTRK, FLTRX, FLTRXS

NOTE: For all service and warranty claims on Boom!™ Audio System components please refer to the latest Warranty Bulletin revision of the Boom!™ Audio Systems Warranty Procedures located on h-dnet.com. Customer: For all service and warranty claims on Boom!™ Audio System components please contact your Harley-Davidson dealership.

ANTENNAS



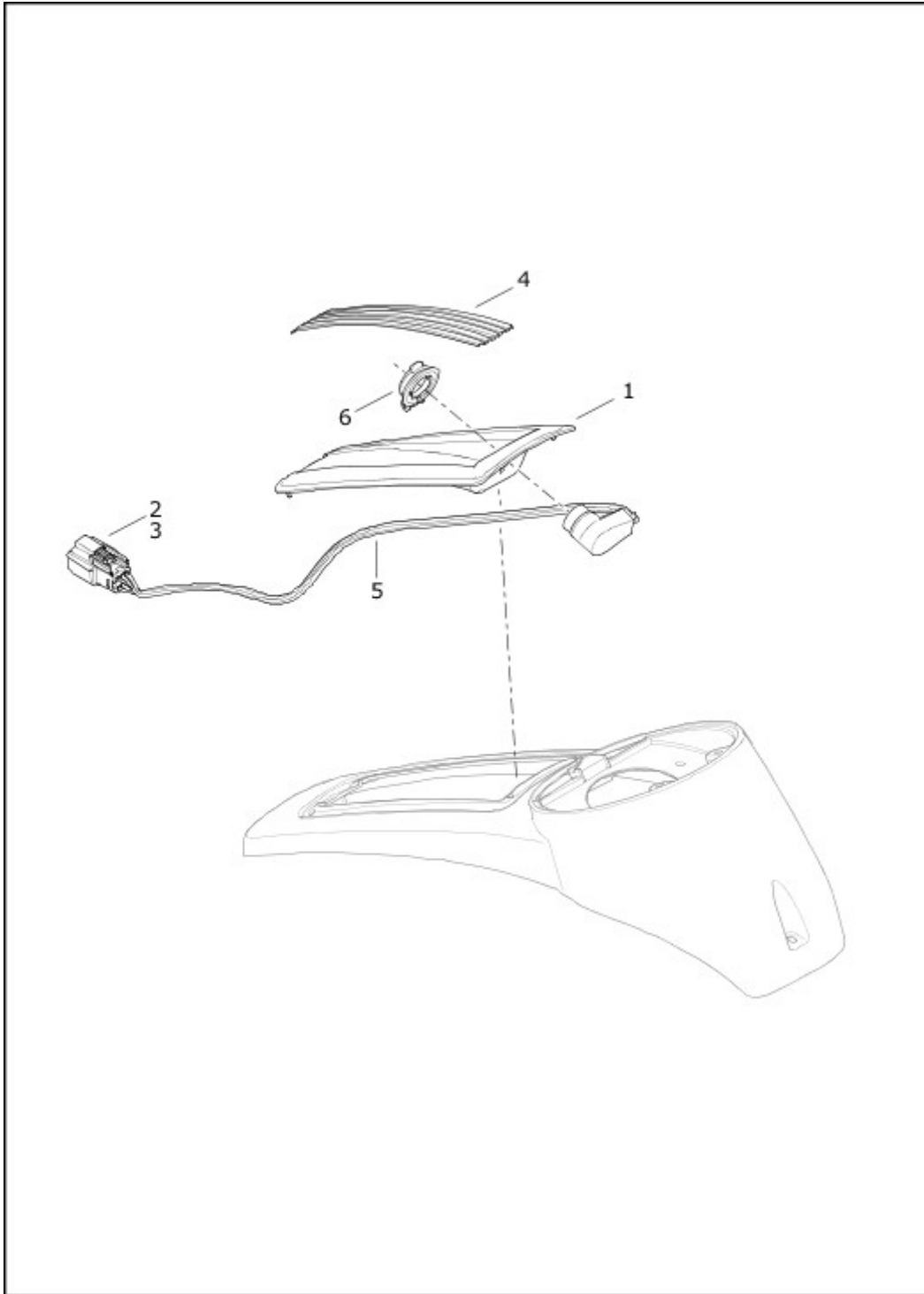
VIEW INTERACTIVE IMAGE

[View interactive table](#)

INDEX NO.	PART NO.	DESCRIPTION	MODEL(S)
1	4867	SCREW	FLHX, FLHXS, FLTRX, FLTRXS
2	7129	LOCKWASHER	FLHX, FLHXS, FLTRX, FLTRXS
3	11543	GROMMET	FLHX, FLHXS, FLTRX, FLTRXS

INDEX NO.	PART NO.	DESCRIPTION	MODEL(S)
4	76259-86	NUT (2)	FLHX, FLHXS, FLTRX, FLTRXS
5	76335-87	ANTENNA BASE ASSEMBLY, with 7129 and 76259-86	FLHX, FLHXS, FLTRX, FLTRXS
6	76000799	ANTENNA MAST, AM/FM/WB/LW	FLHTK, FLHTK SHRINE, FLHX, FLHXS, FLTRK, FLTRX, FLTRXS
7	69200210	CABLE EXTENSION, AM/FM antenna	FLHTK, FLHTK SHRINE, FLTRK
8	69200211	CABLE EXTENSION, CB antenna	FLHTK, FLHTK SHRINE, FLTRK
9	69200295	CABLE EXTENSION, AM/FM antenna	FLHX, FLHXS, FLTRX, FLTRXS
10	69200313	CLIP, harness (3)	FLHX, FLHXS, FLTRX, FLTRXS
11	76000183	BRACKET, antenna mounting	FLHX, FLHXS, FLTRX, FLTRXS

INTERCOM CONTROL POD



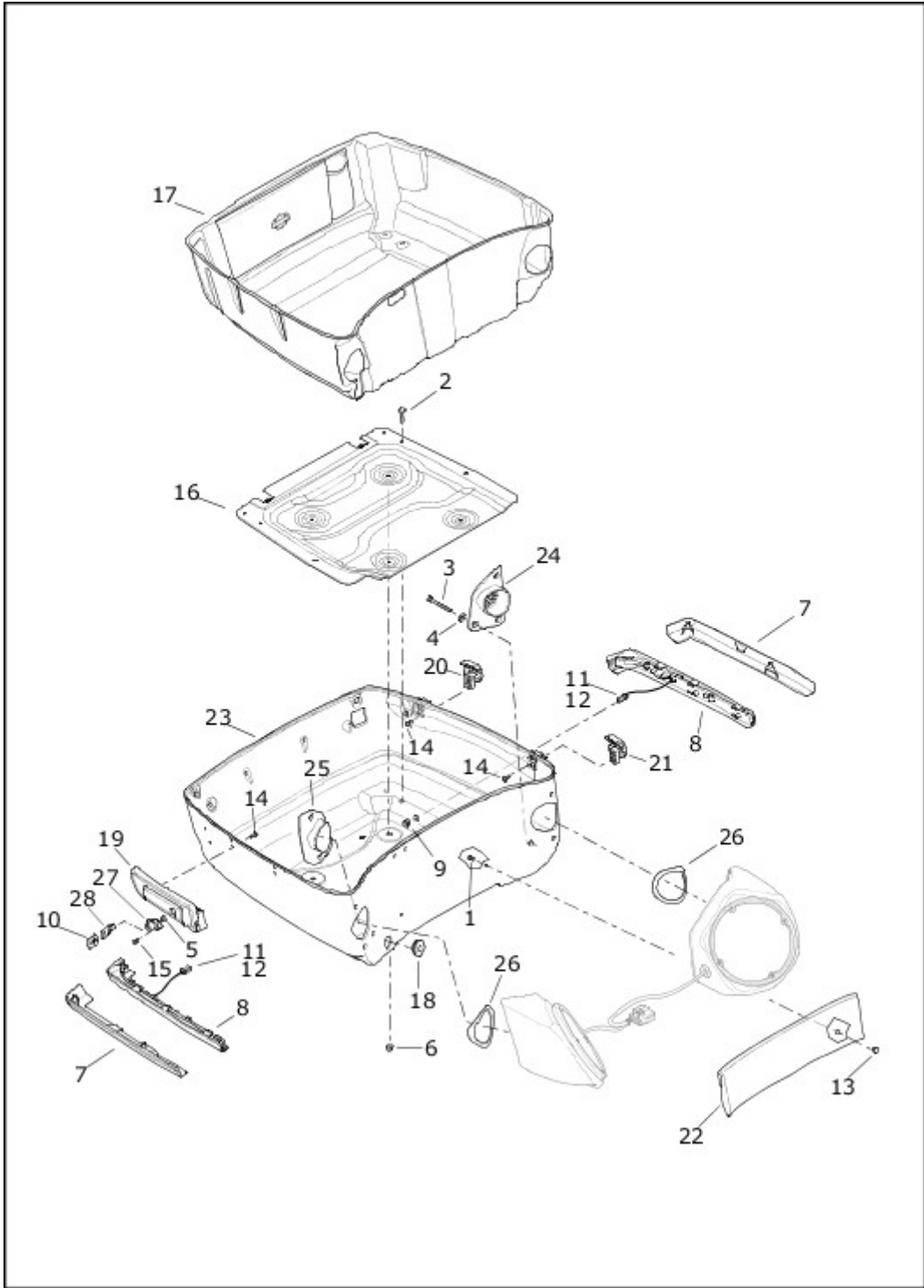
VIEW INTERACTIVE IMAGE

[View interactive table](#)

INDEX NO.	PART NO.	DESCRIPTION	MODEL(S)
1	15341-08	HOUSING, pod	FLHTK, FLHTK SHRINE, FLTRK
2	72168-07	TERMINAL, socket, 18-20 AWG (6)	FLHTK, FLHTK SHRINE, FLTRK

INDEX NO.	PART NO.	DESCRIPTION	MODEL(S)
3	72414-07BK	HOUSING, six-way socket (black)	FLHTK, FLHTK SHRINE, FLTRK
4	14100085	INSERT, console pod	FLHTK, FLHTK SHRINE, FLTRK
5	69200127	HARNESS, console audio, DIN, with 72168-07 and 72414-07BK	FLHTK, FLHTK SHRINE, FLTRK
6	76266-98A	CAP ASSEMBLY, weather	FLHTK, FLHTK SHRINE, FLTRK

TOUR-PAK (BOTTOM)



VIEW INTERACTIVE IMAGE

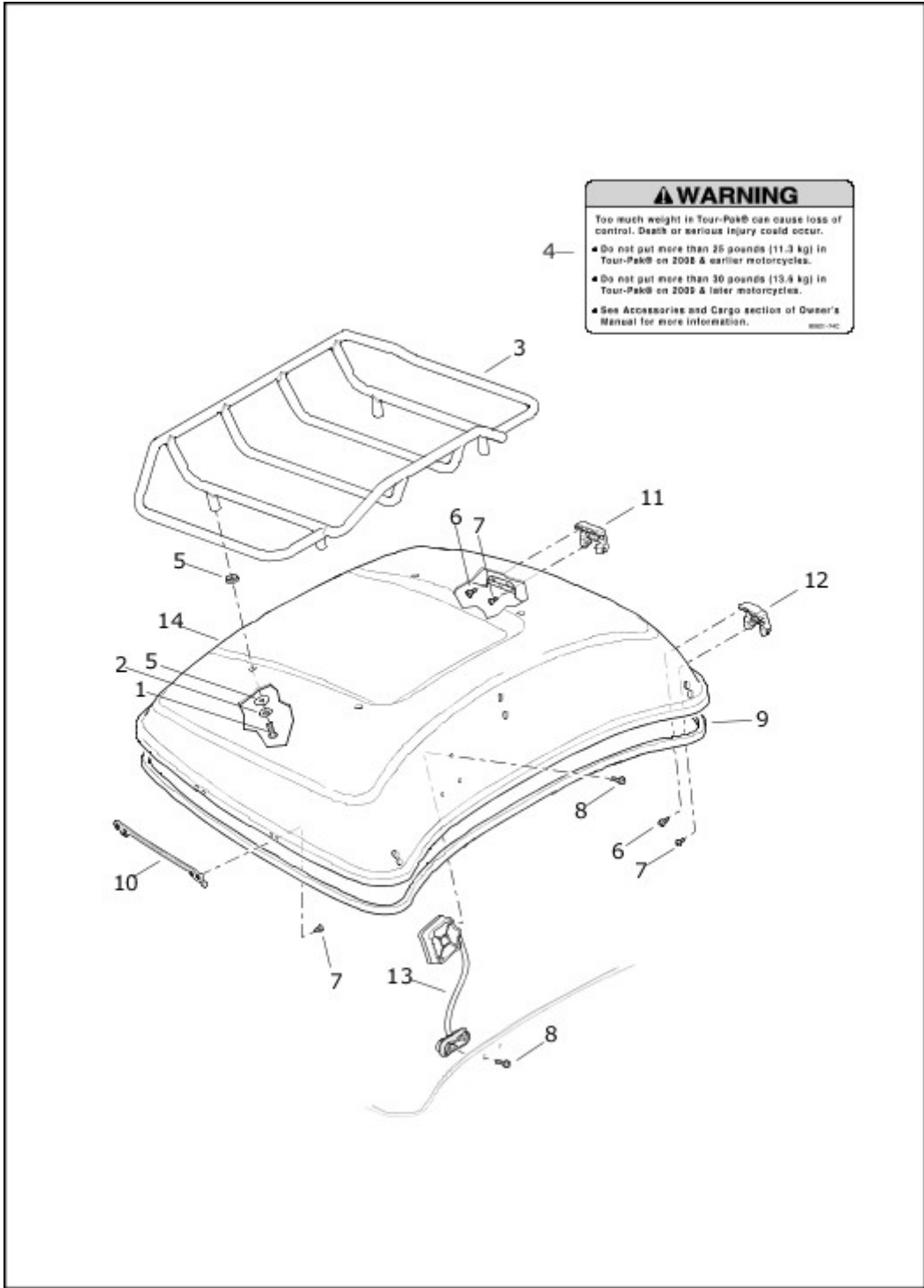
[View interactive table](#)

INDEX NO.	PART NO.	DESCRIPTION	MODEL(S)
NOTE: Refer to Painted Parts Book for painted part numbers.			
1	2724	SCREW (2)	FLHTK, FLHTK SHRINE, FLTRK
2	2968	SCREW (4)	FLHTK, FLHTK SHRINE,

INDEX NO.	PART NO.	DESCRIPTION	MODEL(S)
			FLTRK
3	3910	SCREW (6)	FLHTK, FLHTK SHRINE, FLTRK
4	6703	WASHER (6)	FLHTK, FLHTK SHRINE, FLTRK
5	7586	JAMNUT	FLHTK, FLHTK SHRINE, FLTRK
6	7716	LOCKNUT (4)	FLHTK, FLHTK SHRINE, FLTRK
7	53734-06	TRIM, left-bottom, Tour-Pak (chrome) (HDI, Japan, Asia-Pacific)	FLHTK, FLHTK SHRINE, FLTRK
7	61400549	TRIM, left-bottom, Tour-Pak (gloss black) (HDI, Japan, Asia-Pacific)	FLHTK, FLHTK SHRINE, FLTRK
7	53735-06	TRIM, right-bottom, Tour-Pak (chrome) (HDI, Japan, Asia-Pacific)	FLHTK, FLHTK SHRINE, FLTRK
7	61400550	TRIM, right-bottom, Tour-Pak (gloss black) (HDI, Japan, Asia-Pacific)	FLHTK, FLHTK SHRINE, FLTRK
8	53788-06	LIGHT, right-bottom, Tour-Pak, sidemarker, with 73152-96BK and 73191-96 (Domestic)	FLHTK, FLHTK SHRINE, FLTRK
8	53789-06	LIGHT, left-bottom, Tour-Pak, sidemarker, with 73152-96BK and 73191-96 (Domestic)	FLHTK, FLHTK SHRINE, FLTRK
9	57978-00	GROMMET (2)	FLHTK, FLHTK SHRINE, FLTRK
10	61081-92	COVER, key-head (set of 2)	FLHTK, FLHTK SHRINE, FLTRK
11	73152-96BK	HOUSING, two-way socket (Domestic) (black) (2)	FLHTK, FLHTK SHRINE, FLTRK
12	73191-96	TERMINAL, socket, 16-20 AWG (Domestic) (4)	FLHTK, FLHTK SHRINE, FLTRK
13	90844-80	ACORN NUT (2)	FLHTK, FLHTK SHRINE, FLTRK
14	10200061	SCREW (12)	FLHTK, FLHTK SHRINE, FLTRK
15	10200062	SCREW (2)	FLHTK, FLHTK SHRINE, FLTRK
16	53000091	PLATE, Tour-Pak reinforcing	FLHTK, FLHTK SHRINE, FLTRK
17	53000124	LINER, molded, with pouch	FLHTK, FLHTK SHRINE, FLTRK

INDEX NO.	PART NO.	DESCRIPTION	MODEL(S)
18	53000132	GROMMET	FLHTK, FLHTK SHRINE, FLTRK
19	53000138	HASP ASSEMBLY, bottom (chrome)	FLHTK, FLHTK SHRINE, FLTRK
19	53000342	HASP ASSEMBLY, bottom (gloss black)	FLHTK, FLHTK SHRINE, FLTRK
20	53000139	HINGE ASSEMBLY, rear (chrome)	FLHTK, FLHTK SHRINE, FLTRK
20	53000344	HINGE ASSEMBLY, rear (gloss black)	FLHTK, FLHTK SHRINE, FLTRK
21	53000140	HINGE ASSEMBLY, front (chrome)	FLHTK, FLHTK SHRINE, FLTRK
21	53000345	HINGE ASSEMBLY, front (gloss black)	FLHTK, FLHTK SHRINE, FLTRK
22	53000308	COVER, TOUR-PAK wiring	FLHTK, FLHTK SHRINE, FLTRK
23	53000346	BOTTOM, Tour-Pak (unpainted)	FLHTK, FLHTK SHRINE, FLTRK
24	76000172	MOUNTING BRACKET, speaker (left)	FLHTK, FLHTK SHRINE, FLTRK
25	76000173	MOUNTING BRACKET, speaker (right)	FLHTK, FLHTK SHRINE, FLTRK
26	76000174	GASKET, speaker pod (2)	FLHTK, FLHTK SHRINE, FLTRK
27	90300030	LOCK, with 7586 (specify key number)	FLHTK, FLHTK SHRINE, FLTRK
28	90300043	KEY, with 61081-92 (set of 2) (specify key number)	FLHTK, FLHTK SHRINE, FLTRK

TOUR-PAK (COVER)



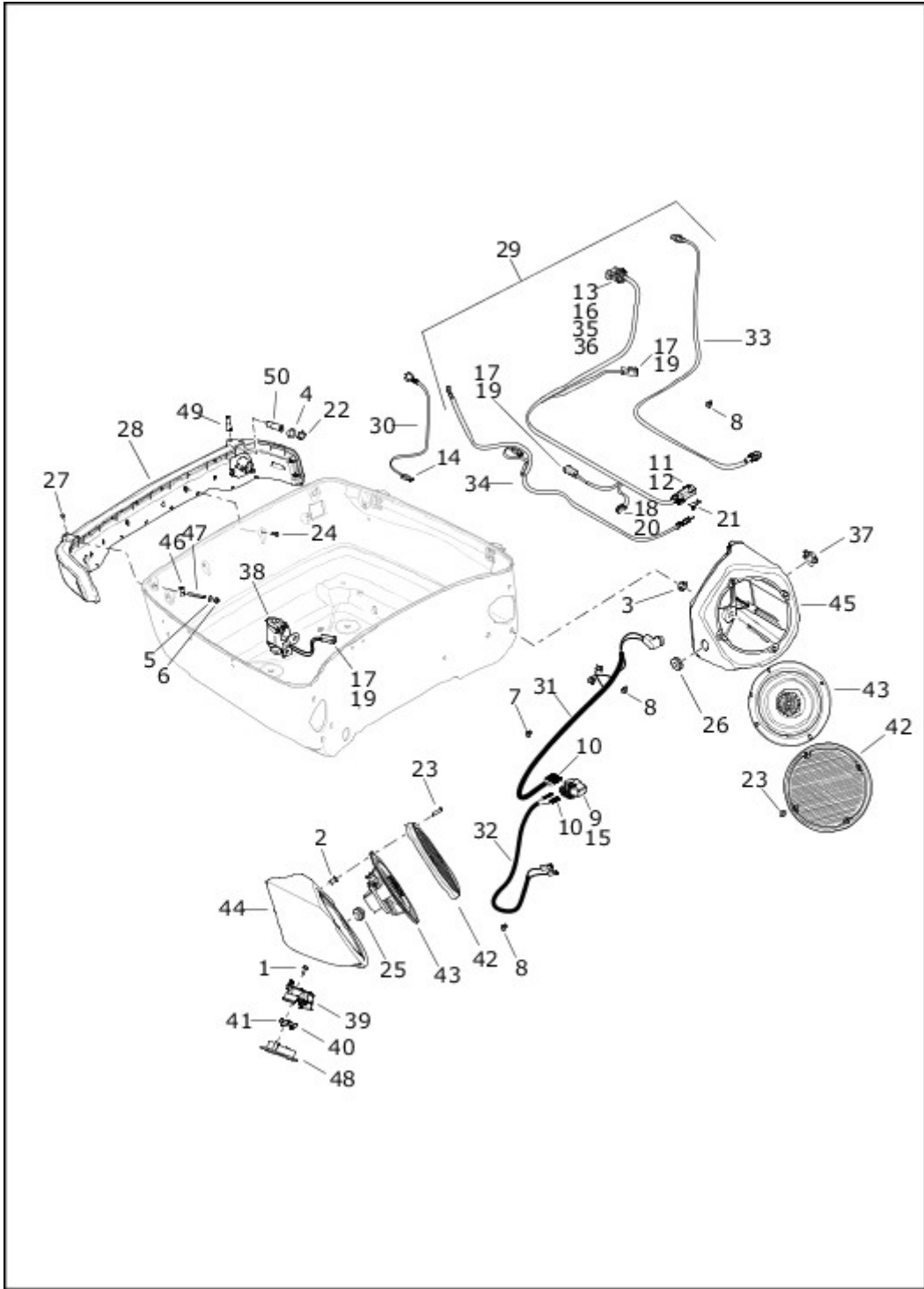
VIEW INTERACTIVE IMAGE

View interactive table

INDEX NO.	PART NO.	DESCRIPTION	MODEL(S)
NOTE: Refer to Painted Parts Book for painted part numbers.			
1	923	SCREW (4)	FLHTK, FLHTK SHRINE, FLTRK
2	6703	WASHER (4)	FLHTK, FLHTK SHRINE,

INDEX NO.	PART NO.	DESCRIPTION	MODEL(S)
			FLTRK
3	53665-87	LUGGAGE RACK, Tour-Pak, with hardware, with 6703 and 90869-85A (chrome)	FLHTK, FLHTK SHRINE, FLTRK
3	53000834	LUGGAGE RACK, Tour-Pak, with hardware, with 6703 and 90869-85A (gloss black)	FLHTK, FLHTK SHRINE, FLTRK
4	90821-74C	LABEL, TOUR-PAK, load limit	FLHTK, FLHTK SHRINE, FLTRK
5	90869-85A	MOUNTING PAD AND WASHER SET, luggage rack	FLHTK, FLHTK SHRINE, FLTRK
6	10200061	SCREW (4)	FLHTK, FLHTK SHRINE, FLTRK
7	10200062	SCREW (8)	FLHTK, FLHTK SHRINE, FLTRK
8	10200154	SCREW (5)	FLHTK, FLHTK SHRINE, FLTRK
9	53000090	GASKET, cover	FLHTK, FLHTK SHRINE, FLTRK
10	53000137	HASP, Tour-Pak lid	FLHTK, FLHTK SHRINE, FLTRK
11	53000139	HINGE ASSEMBLY, rear (chrome)	FLHTK, FLHTK SHRINE, FLTRK
11	53000344	HINGE ASSEMBLY, rear (gloss black)	FLHTK, FLHTK SHRINE, FLTRK
12	53000140	HINGE ASSEMBLY, front (chrome)	FLHTK, FLHTK SHRINE, FLTRK
12	53000345	HINGE ASSEMBLY, front (gloss black)	FLHTK, FLHTK SHRINE, FLTRK
13	53000141A	TETHER, retractable	FLHTK, FLHTK SHRINE, FLTRK
14	53000370	COVER, Tour-Pak (unpainted)	FLHTK, FLHTK SHRINE, FLTRK

LAMPS AND SPEAKER HOUSINGS, ULTRA TOUR-PAK (1 OF 2)



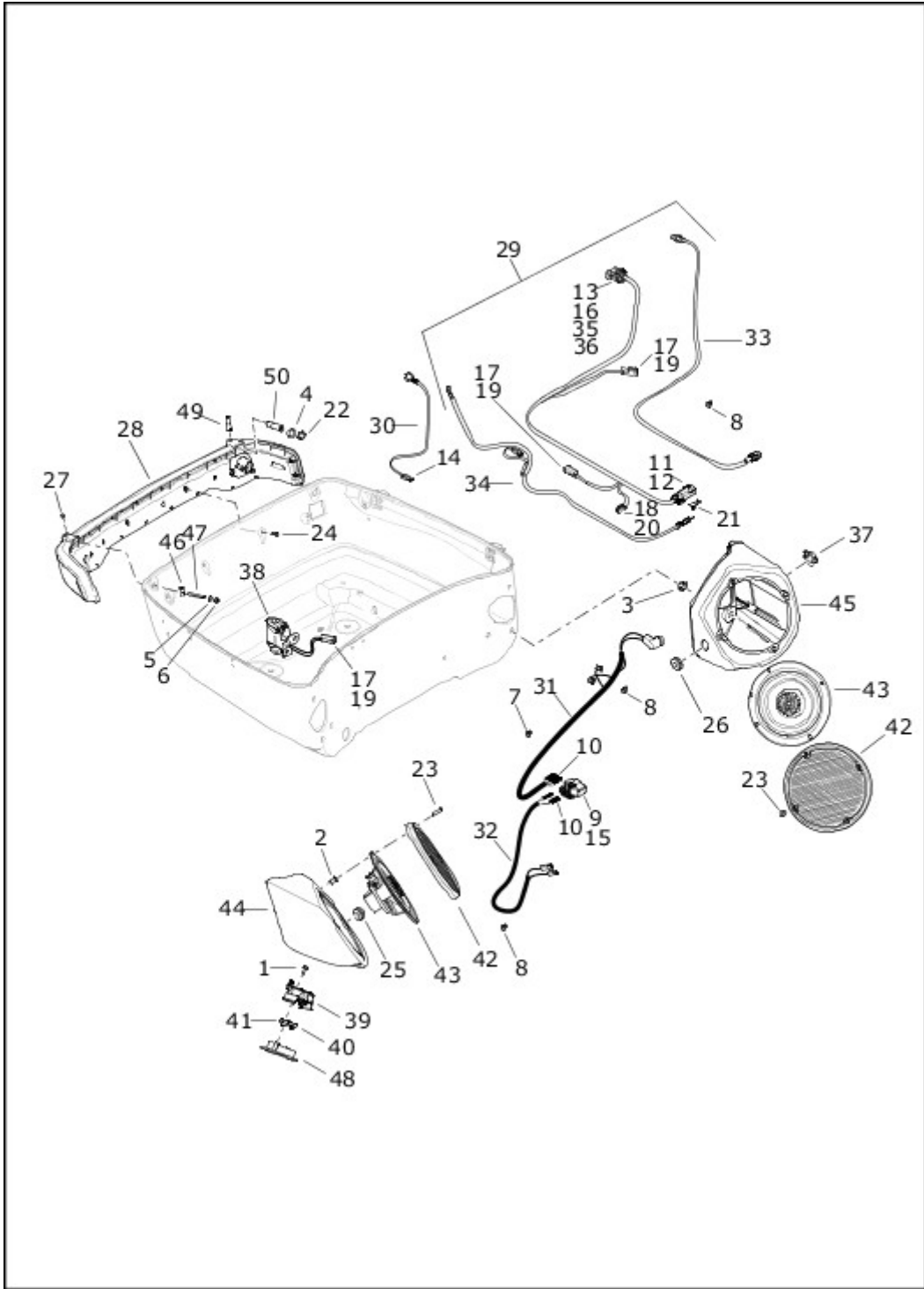
VIEW INTERACTIVE IMAGE

[View interactive table](#)

INDEX NO.	PART NO.	DESCRIPTION	MODEL(S)
1	3612	SCREW (2)	FLHTK, FLHTK SHRINE, FLTRK
2	5210	WELL NUT (8)	FLHTK, FLHTK SHRINE, FLTRK
3	5211	CRIMP NUT (6)	FLHTK, FLHTK SHRINE, FLTRK
4	6113	WASHER	FLHTK, FLHTK SHRINE, FLTRK

INDEX NO.	PART NO.	DESCRIPTION	MODEL(S)
5	6220W	WASHER	FLHTK, FLHTK SHRINE, FLTRK
6	7492	NUT, with lockwasher	FLHTK, FLHTK SHRINE, FLTRK
7	10006	CABLE STRAP	FLHTK, FLHTK SHRINE, FLTRK
8	10065	CABLE STRAP (3)	FLHTK, FLHTK SHRINE, FLTRK
9	72166-07BK	HOUSING, 16-way socket (black)	FLHTK, FLHTK SHRINE, FLTRK
10	72168-07	TERMINAL, socket, 18-20 AWG (13)	FLHTK, FLHTK SHRINE, FLTRK
11	72169-07	TERMINAL, pin, 16-20 AWG (6)	FLHTK, FLHTK SHRINE, FLTRK
12	72188-07BK	HOUSING, six-way pin (black)	FLHTK, FLHTK SHRINE, FLTRK
13	72213-94	TERMINAL, socket, 16-20 AWG (5)	FLHTK, FLHTK SHRINE, FLTRK
14	72290-94	TERMINAL, insulated	FLHTK, FLHTK SHRINE, FLTRK
15	72473-07	SEAL PIN, natural (3)	FLHTK, FLHTK SHRINE, FLTRK
16	72610-08	WIRE SEAL, 18-20 AWG (white) (5)	FLHTK, FLHTK SHRINE, FLTRK
17	73102-96BK	HOUSING, two-way pin (black) (3)	FLHTK, FLHTK SHRINE, FLTRK
18	73152-96WE	SOCKET HOUSING, two-way (white)	FLHTK, FLHTK SHRINE, FLTRK
19	73190-96	TERMINAL, pin, 16-20 AWG (6)	FLHTK, FLHTK SHRINE, FLTRK
20	73191-96	TERMINAL, socket, 16-20 AWG (2)	FLHTK, FLHTK SHRINE, FLTRK
21	73213-07	RETAINER, anchored	FLHTK, FLHTK SHRINE, FLTRK
22	76353-00	NUT	FLHTK, FLHTK SHRINE, FLTRK
23	10200105	SCREW (8)	FLHTK, FLHTK SHRINE, FLTRK
24	10200133	SCREW (8)	FLHTK, FLHTK SHRINE, FLTRK
25	12100017	GROMMET, speaker (right)	FLHTK, FLHTK SHRINE, FLTRK
26	12100018	GROMMET, speaker (left)	FLHTK, FLHTK SHRINE, FLTRK
27	12100023	PLUG	FLHTK, FLHTK SHRINE, FLTRK

LAMPS AND SPEAKER HOUSINGS, ULTRA TOUR-PAK (2 OF 2)



VIEW INTERACTIVE IMAGE

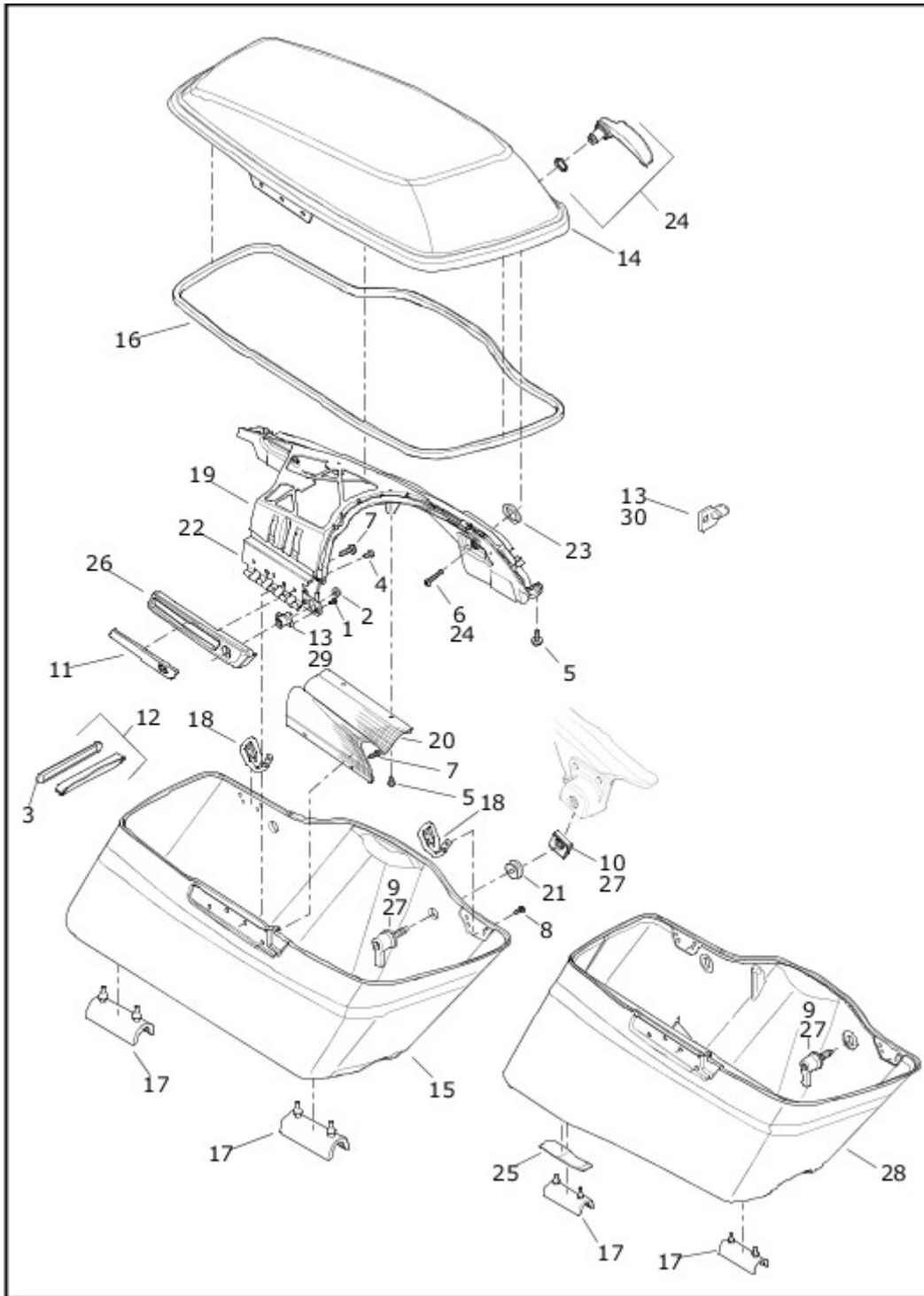
[View interactive table](#)

INDEX NO.	PART NO.	DESCRIPTION	MODEL(S)
28	67800093	LAMP, Tour-Pak, with 76000164, 76000165, 76000186 and 76000208 (Domestic)	FLHTK, FLHTK SHRINE, FLTRK
28	67800101	LAMP, Tour-Pak, with 76000164, 76000165, 76000186 and 76000208 (HDI)	FLHTK, FLHTK SHRINE, FLTRK

INDEX NO.	PART NO.	DESCRIPTION	MODEL(S)
29	69200131	WIRING HARNESS, Tour-Pak, with 10065, 72169-07, 72188-07BK, 72213-94, 72610-08, 73102-96BK, 73152-96WE, 73190-96, 73191-96, 69200210, 69200211, 69200225 and 69200226	FLHTK, FLHTK SHRINE, FLTRK
30	69200135	WIRING HARNESS, AM/FM ground jumper, with 72290-94	FLHTK, FLHTK SHRINE, FLTRK
31	69200138	WIRING HARNESS, speaker, with 10065 and 72168-07 (left)	FLHTK, FLHTK SHRINE, FLTRK
32	69200139	WIRING HARNESS, speaker, with 10065, 72168-07 and 71400005 (right)	FLHTK, FLHTK SHRINE, FLTRK
33	69200210	CABLE EXTENSION, AM/FM antenna	FLHTK, FLHTK SHRINE, FLTRK
34	69200211	CABLE EXTENSION, CB antenna	FLHTK, FLHTK SHRINE, FLTRK
35	69200225	HOUSING, five-way socket (black)	FLHTK, FLHTK SHRINE, FLTRK
36	69200226	SECONDARY LOCK, five-way (black)	FLHTK, FLHTK SHRINE, FLTRK
37	69200237	WEATHER CAP ASSEMBLY	FLHTK, FLHTK SHRINE, FLTRK
38	69200826	KIT, AUXILIARY POWER OUTLET, Tour-Pak, with 73102-96BK and 73190-96	FLHTK, FLHTK SHRINE, FLTRK
39	71400005	SWITCH ASSEMBLY, rear speaker, with 71400006 and 71400007	FLHTK, FLHTK SHRINE, FLTRK
40	71400006	KNOB, push to talk (ptt) vol-/vol+ rear control switch	FLHTK, FLHTK SHRINE, FLTRK
41	71400007	KNOB, mode select up/down rear control switch	FLHTK, FLHTK SHRINE, FLTRK
42	76000092	GRILLE, rear speaker (2)	FLHTK, FLHTK SHRINE, FLTRK
43	76000819	SPEAKER, 5.25 inch (2)	FLHTK, FLHTK SHRINE, FLTRK
44	76000160	SPEAKER BOX ENCLOSURE, right rear	FLHTK, FLHTK SHRINE, FLTRK
45	76000161	SPEAKER BOX ENCLOSURE, left rear	FLHTK, FLHTK SHRINE, FLTRK
46	76000164	STUD, antenna	FLHTK, FLHTK SHRINE, FLTRK
47	76000165	SET SCREW, antenna, M5 X 43mm	FLHTK, FLHTK SHRINE, FLTRK

INDEX NO.	PART NO.	DESCRIPTION	MODEL(S)
48	76000177	BEZEL, speaker switch	FLHTK, FLHTK SHRINE, FLTRK
49	76000186	STUD, antenna	FLHTK, FLHTK SHRINE, FLTRK
50	76000208	PLUG ASSEMBLY, antenna	FLHTK, FLHTK SHRINE, FLTRK

SADDLEBAGS (1 OF 2)



VIEW INTERACTIVE IMAGE

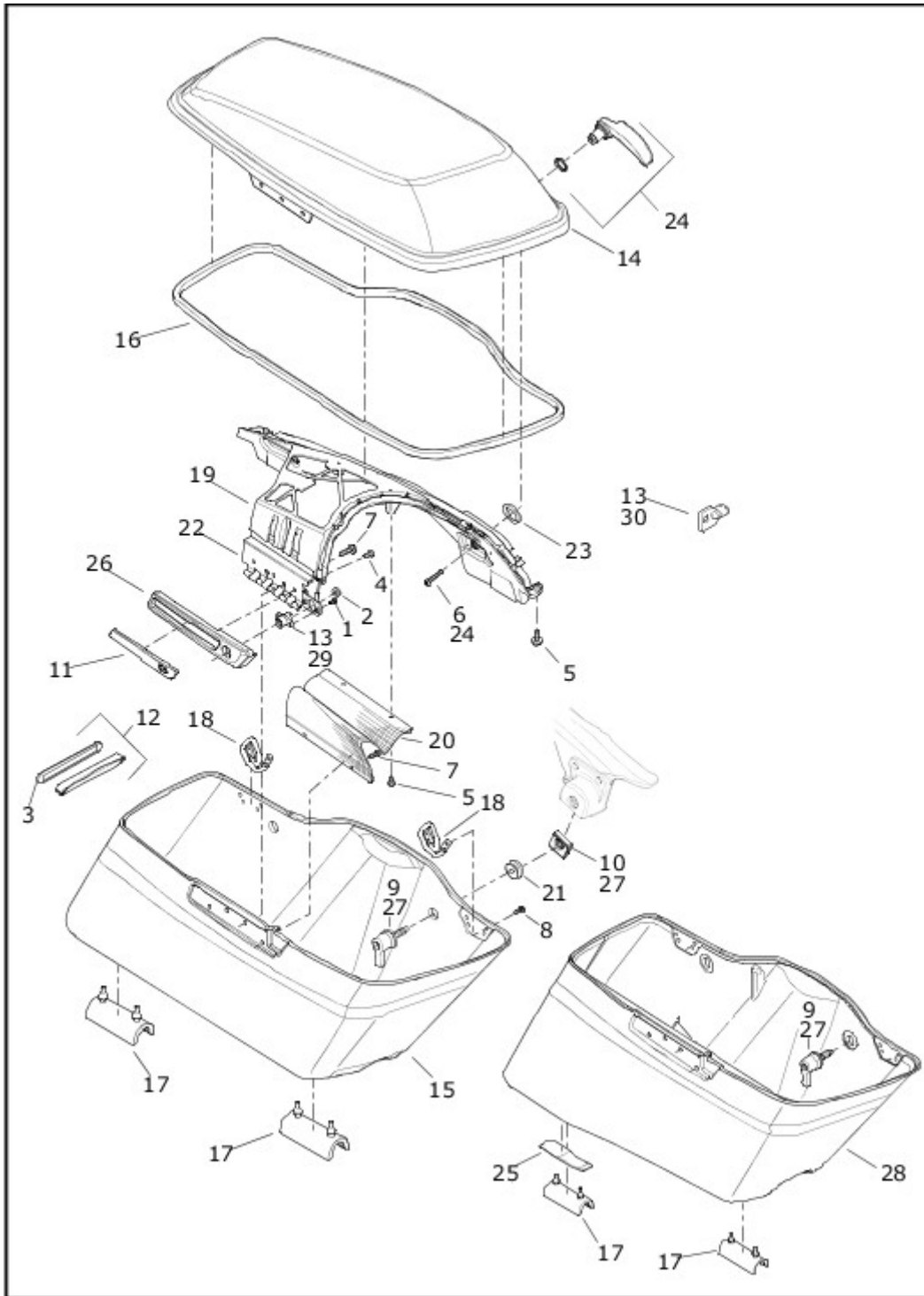
[View interactive table](#)

INDEX NO.	PART NO.	DESCRIPTION	MODEL(S)
NOTE: Refer to Painted Parts Book for painted part numbers.			
1	3656	SCREW (4)	ALL
2	7586	JAMNUT (2)	ALL

INDEX NO.	PART NO.	DESCRIPTION	MODEL(S)
3	69490-07	REFLECTOR (red) (Canada) (2)	FLH, FLHRXS, FLHT, FLHX, FLHXS, FLTRX, FLTRXS
4	10200062	SCREW (6)	ALL
5	10200063	SCREW (12)	ALL
6	10200064	SCREW (2)	ALL
7	10200065	SCREW (8)	ALL
8	10200103	SCREW (16)	ALL
9	10200533	SCREW, single sided lever (4)	ALL
10	10400034	NUT, clip (4)	ALL
11	67900065	REFLECTOR (left) (red) (Domestic, Canada)	ALL
11	67900066	REFLECTOR (left) (amber) (HDI)	ALL
11	67900067	REFLECTOR (right) (red) (Domestic, Canada)	ALL
11	67900068	REFLECTOR (right) (amber) (HDI)	ALL
12	67900256	REFLECTOR ASSEMBLY, with 69490-07 (red) (Domestic)(Domestic and HDI for FLH) (2)	FLH, FLHT, FLTRX
12	67900256	REFLECTOR ASSEMBLY, with 69490-07 (red) (Canada) (2)	FLHRXS, FLHT, FLHX, FLHXS, FLTRX, FLTRXS
13	71400010A	LOCKSET, complete, with keys, ignition knob, fork lock and saddlebag locks (chrome)	FLHR, FLHRXS
13	71400015B	LOCKSET, complete, with keys, ignition knob, saddlebag and Tour-Pak locks (chrome)	FLHTK, FLHTK SHRINE, FLTRK
13	71400016B	LOCKSET, complete, with keys, ignition knob and saddlebag lock (chrome)	FLH, FLHT, FLHX, FLHXS, FLTRX, FLTRXS
13	71400149	LOCKSET, complete, with keys, ignition knob and saddlebag lock (black)	FLHTK, FLHTK SHRINE, FLTRK
13	71400133A	LOCKSET, complete, with keys, ignition knob and saddlebag lock (black)	FLHXS, FLTRXS
14	90200411	SADDLEBAG COVER (right) (unpainted)	ALL
14	90200413	SADDLEBAG COVER (left) (unpainted)	ALL
15	90200412	SADDLEBAG BOTTOM (right) (unpainted)	FLH, FLHR, FLHT, FLHTK, FLHTK SHRINE, FLHX, FLTRK, FLTRX
15	90200414	SADDLEBAG BOTTOM (left) (unpainted)	FLH, FLHR, FLHT, FLHTK, FLHTK SHRINE, FLHX, FLTRK, FLTRX
16	90200415	GASKET, cover (2)	ALL

INDEX NO.	PART NO.	DESCRIPTION	MODEL(S)
17	90200467	CUSHION, saddlebag support (4)	ALL
18	90200519	STRIKE, saddlebag (4)	ALL
19	90200520	LATCH ASSEMBLY, with 90200899 and 90200901 (right)	ALL
19	90200521	LATCH ASSEMBLY, with 90200900 and 90200901 (left)	ALL
20	90200522	TETHER, saddlebag (2)	ALL
21	90200611	ISOLATOR, saddlebag (4)	ALL
22	90200899	HINGE ASSEMBLY (right)	ALL
22	90200900	HINGE ASSEMBLY (left)	ALL
23	90200901	SEAL (2)	ALL
24	90200902	HANDLE KIT, saddlebag, with 10200064 and grommet (right)	ALL
24	90200903	HANDLE KIT, saddlebag, with 10200064 and grommet (left)	ALL
25	90200963	WEAR STRIP (left)	FLHRXS, FLHXS, FLTRXS
25	90200964	WEAR STRIP (right)	FLHRXS, FLHXS, FLTRXS

SADDLEBAGS (2 OF 2)



VIEW INTERACTIVE IMAGE

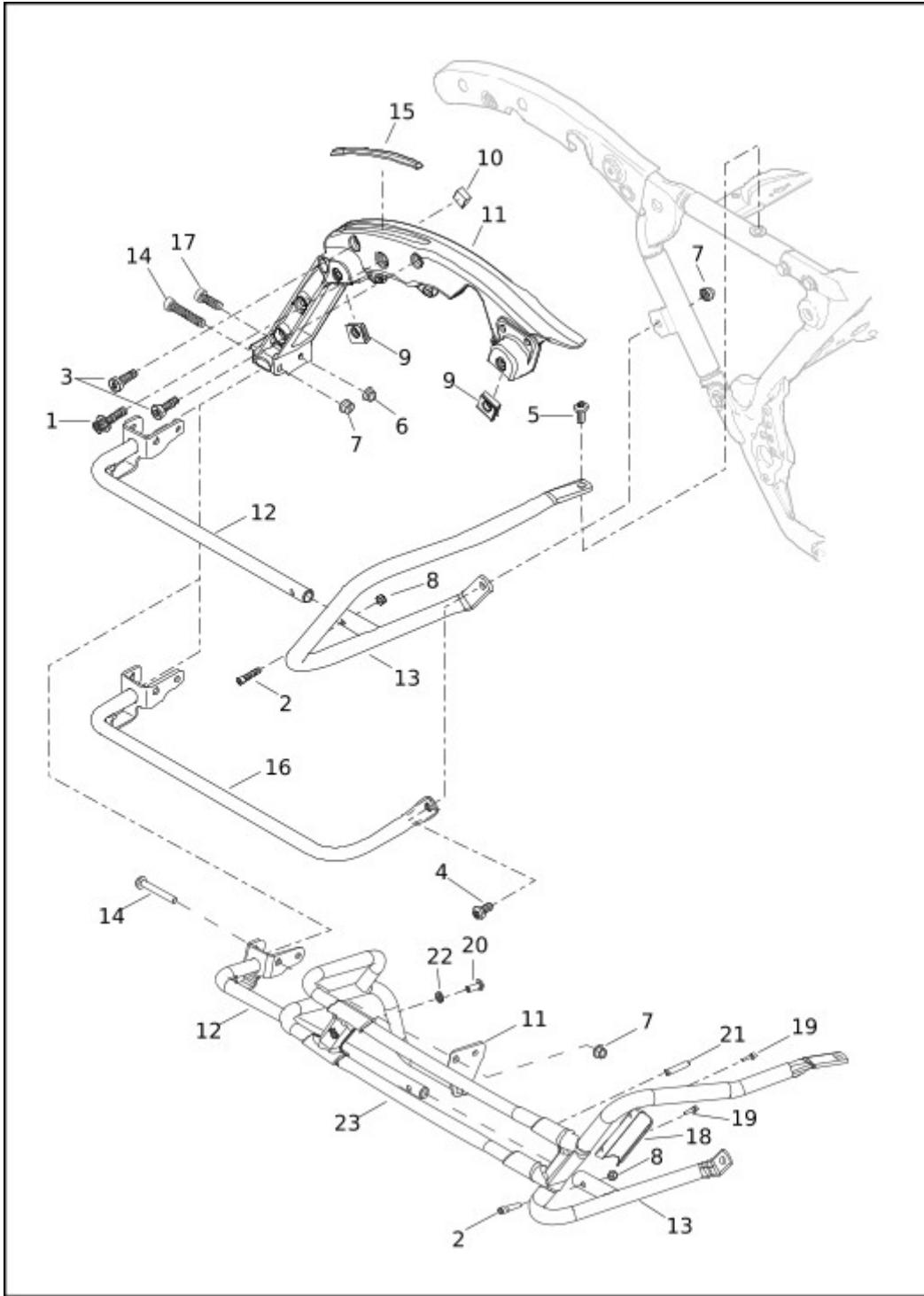
[View interactive table](#)

INDEX NO.	PART NO.	DESCRIPTION	MODEL(S)
NOTE: Refer to Painted Parts Book for painted part numbers.			
26	90201295	FACEPLATE (left) (chrome)	FLH, FLHR, FLHT, FLHTK, FLHTK SHRINE, FLHX, FLTRK, FLTRX
26	90200983DH	FACEPLATE (left) (vivid black)	FLHRXS, FLHTK, FLHTK SHRINE,

INDEX NO.	PART NO.	DESCRIPTION	MODEL(S)
			FLHXS, FLTRK, FLTRXS
26	90200983ESC	FACEPLATE (left) (black jack metallic)	FLHRXS, FLHXS
26	90200983ESH	FACEPLATE (left) (gauntlet gray metallic)	FLHXS, FLTRXS
26	90200983ESK	FACEPLATE (left) (billiard teal)	FLTRXS
26	90200983ESN	FACEPLATE (left) (midnight crimson)	FLTRXS
26	90200983ESW	FACEPLATE (left) (deadwood green denim)	FLHXS
26	90200983ENV	FACEPLATE (left) (river rock gray denim)	FLTRXS
26	90200983ENX	FACEPLATE (left) (billiard red)	FLHXS, FLTRXS
26	90200983ERX	FACEPLATE (left) (arctic blast)	FLHXS
26	90200983EOB	FACEPLATE (left) (stone washed white pearl)	FLHRXS
26	90200983ESU	FACEPLATE (left) (deadwood green)	FLHRXS
26	90200983ETF	FACEPLATE (left) (snake venom)	FLHRXS, FLHXS, FLTRXS
26	90201296	FACEPLATE (right) (chrome)	FLH, FLHR, FLHT, FLHTK, FLHTK SHRINE, FLHX, FLTRK, FLTRX
26	90200984DH	FACEPLATE (right) (vivid black)	FLHRXS, FLHTK, FLHTK SHRINE, FLHXS, FLTRK, FLTRXS
26	90200984ESC	FACEPLATE (right) (black jack metallic)	FLHRXS, FLHXS
26	90200984ESH	FACEPLATE (right) (gauntlet gray metallic)	FLHXS, FLTRXS
26	90200984ESK	FACEPLATE (right) (billiard teal)	FLTRXS
26	90200984ESN	FACEPLATE (right) (midnight crimson)	FLTRXS
26	90200984ESW	FACEPLATE (right) (deadwood green denim)	FLHXS
26	90200984ENV	FACEPLATE (right) (river rock gray denim)	FLTRXS
26	90200984ENX	FACEPLATE (right) (billiard red)	FLHXS, FLTRXS
26	90200984ERX	FACEPLATE (right) (arctic blast)	FLHXS
26	90200984EOB	FACEPLATE (right) (stone washed white pearl)	FLHRXS
26	90200984ESU	FACEPLATE (right) (deadwood green)	FLHRXS
26	90200984ETF	FACEPLATE (right) (snake venom)	FLHRXS, FLHXS, FLTRXS
27	90201540	KIT, SADDLEBAG MOUNT, with 10200533 and 10400034 (set of 4)	ALL
28	90201743	SADDLEBAG BOTTOM, with 90820-93D, 90200467 and 90200964 (right) (prime)	FLHRXS, FLHXS, FLTRXS

INDEX NO.	PART NO.	DESCRIPTION	MODEL(S)
28	90201742	SADDLEBAG BOTTOM, with 90820-93D, 90200467 and 90200963 (left) (prime)	FLHRXS, FLHXS, FLTRXS
29	90300024	LOCK, with 7586 (specify key number) (2)	ALL
30	90300043	KEY, with 61081-92 (set of 2) (specify key number)	ALL

GUARDS, SADDLEBAG



VIEW INTERACTIVE IMAGE

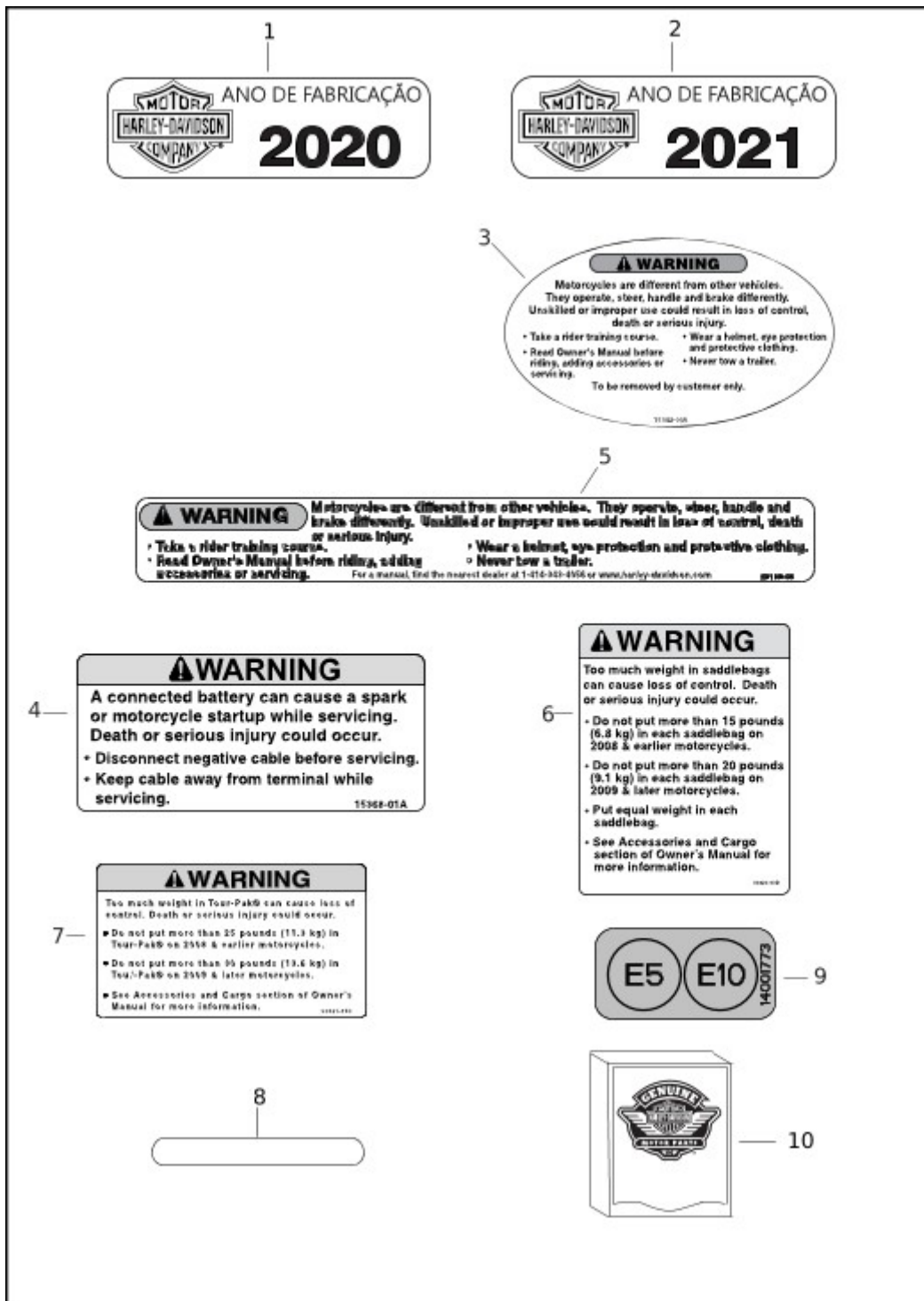
[View interactive table](#)

INDEX NO.	PART NO.	DESCRIPTION	MODEL(S)
1	10200217	SCREW (2)	ALL
2	3601	SCREW (2)	FLH, FLHR, FLHTK, FLHTK SHRINE, FLTRK
3	3684	SCREW (4)	ALL

INDEX NO.	PART NO.	DESCRIPTION	MODEL(S)
4	4924	SCREW (2)	FLH, FLHRXS, FLHT, FLHX, FLHXS, FLTRX, FLTRXS
5	4924	SCREW (2)	FLH, FLHR, FLHTK, FLHTK SHRINE, FLTRK
6	7531	LOCKNUT (2)	ALL
7	7601	LOCKNUT (4)	ALL
8	7686	LOCKNUT (2)	FLH, FLHR, FLHTK, FLHTK SHRINE, FLTRK
9	10400034	NUT, clip (4)	FLH, FLHR, FLHT, FLHTK, FLHTK SHRINE, FLHX, FLHXS, FLTRK, FLTRX, FLTRXS
10	11100068	CUSHION (2)	ALL
11	90200499	SUPPORT, saddlebag, with 11100068 (right) (chrome)	FLH, FLHR, FLHT, FLHTK, FLHTK SHRINE, FLHX, FLHXS, FLTRK, FLTRX, FLTRXS
11	90201319	SUPPORT, saddlebag, with 11100068 (right) (black)	FLHRXS, FLHTK, FLHTK SHRINE, FLTRK
11	90200501	SUPPORT, saddlebag, with 11100068 (left) (chrome)	FLH, FLHR, FLHT, FLHTK, FLHTK SHRINE, FLHX, FLHXS, FLTRK, FLTRX, FLTRXS
11	90201320	SUPPORT, saddlebag, with 11100068 (left) (black)	FLHRXS, FLHTK, FLHTK SHRINE, FLTRK
12	90200504	SUPPORT, saddlebag (right) (black)	FLH, FLHR, FLHTK, FLHTK SHRINE, FLTRK
12	90200505	SUPPORT, saddlebag (left) (black)	FLH, FLHR, FLHTK, FLHTK SHRINE, FLTRK
13	90200506	GUARD (left) (chrome)	FLH, FLHR, FLHTK, FLHTK SHRINE, FLTRK
13	90200790	GUARD (left) (black)	FLHTK, FLHTK SHRINE, FLTRK
13	90200507	GUARD (right) (chrome)	FLH, FLHR, FLHTK, FLHTK SHRINE, FLTRK
13	90200789	GUARD (right) (black)	FLHTK, FLHTK SHRINE, FLTRK
14	10201187	SCREW (2)	ALL
15	90202108	INSERT ASSEMBLY, saddlebag support (2)	FLH, FLHR, FLHRXS, FLHT, FLHX, FLHXS, FLTRX, FLTRXS
16	90200549	SUPPORT (left) (black)	FLHRXS, FLHT, FLHX, FLHXS, FLTRX, FLTRXS
16	90200550	SUPPORT (right) (black)	FLHRXS, FLHT, FLHX, FLHXS, FLTRX, FLTRXS
17	10201188	SCREW (2)	ALL
18	90200861	RAIL MOUNT, rear guard (right)	FLH
18	90200863	RAIL MOUNT, rear guard (left)	FLH
19	10201186	SCREW (4)	FLH
20	10200331	SCREW (4)	FLH

INDEX NO.	PART NO.	DESCRIPTION	MODEL(S)
21	12600093	SCREW (4)	FLH
22	7069	LOCKWASHER (4)	FLH
23	90202256	GUARD, saddlebag (right)	FLH
23	90202255	GUARD, saddlebag (left)	FLH

LABELS



VIEW INTERACTIVE IMAGE

View interactive table

INDEX NO.	PART NO.	DESCRIPTION	MODEL(S)
1	14001903	LABEL, year of manufacturing (Brazil)	FLHR, FLHRXS, FLHTK, FLHTK SHRINE, FLHXS, FLTRK, FLTRXS

NOTE: When ordering any V.I.N., Emissions, or Noise Labels you must contact your local dealer with the V.I.N. number and model year of your motorcycle and the label type needed. Replacement V.I.N. and Emissions labels can only be ordered for warranty purposes through h-dnet Service eForm.

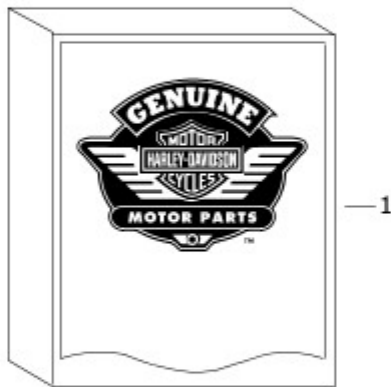
INDEX NO.	PART NO.	DESCRIPTION	MODEL(S)
2	14002621	LABEL, year of manufacturing (Brazil)	FLHR, FLHRXS, FLHTK, FLHTK SHRINE, FLHXS, FLTRK, FLTRXS
3	15342-06A	LABEL, mirror warning	FLH, FLHX, FLHXS
3	15342-06A	LABEL, mirror warning	FLHX, FLHXS
3	15370-01A	LABEL, mirror warning	FLHR, FLHRXS, FLHT, FLHTK, FLHTK SHRINE, FLHX, FLHXS, FLTRK
3	15385-08	LABEL, mirror warning (Brazil) (not shown)	FLHR, FLHRXS, FLHTK, FLHTK SHRINE, FLHXS, FLTRK, FLTRXS
3	14002216	LABEL, mirror warning (HD3) (not shown)	FLHRXS, FLHTK, FLTRXS
3	14002217	LABEL, mirror warning (HD3) (not shown)	FLHXS
3	14002626	LABEL, mirror warning (China) (not shown)	FLHRXS, FLHTK, FLHXS, FLTRXS
4	15368-01A	LABEL, battery warning	ALL
4	14001739	LABEL, battery warning (Brazil) (not shown)	FLHR, FLHRXS, FLHTK, FLHTK SHRINE, FLHXS, FLTRK, FLTRXS
4	14002622	LABEL, battery warning (China) (not shown)	FLHRXS, FLHTK, FLHXS, FLTRXS
5	29108-08	LABEL, air cleaner warning (Domestic)	FLHR, FLHT, FLHTK, FLHTK SHRINE, FLHX, FLTRK, FLTRX
5	14002210	LABEL, air cleaner warning (used on chrome cover) (Domestic)(not shown)	FLHXS, FLTRXS
5	28012-09	LABEL, air cleaner warning (used on chrome cover) (Domestic)	FLH
5	14002211	LABEL, air cleaner warning (used on black cover) (Domestic) (not shown)	FLHRXS, FLHXS, FLTRXS
5	14001734	LABEL, air cleaner warning (Brazil) (not shown)	FLHR, FLHRXS, FLHTK, FLHTK SHRINE, FLHXS, FLTRK, FLTRXS
5	14001799A	LABEL, air cleaner warning (China) (not shown)	FLHR, FLHRXS, FLHT, FLHTK, FLHXS, FLTRXS
6	90820-93D	LABEL, saddlebag load limits (2)	ALL
6	14001738	LABEL, saddlebag load limits (Brazil) (not shown) (2)	FLHR, FLHRXS, FLHTK, FLHTK SHRINE, FLHXS, FLTRK, FLTRXS
6	14002629	LABEL, saddlebag load limits (China) (not shown) (2)	FLHRXS, FLHTK, FLHXS, FLTRXS
7	90821-74C	LABEL, tour-pak load limit	FLHTK, FLHTK SHRINE

NOTE: When ordering any V.I.N., Emissions, or Noise Labels you must contact your local dealer with the V.I.N. number and model year of your motorcycle and the label type needed. Replacement V.I.N. and Emissions labels can only be ordered for warranty purposes through h-dnet Service eForm.

INDEX NO.	PART NO.	DESCRIPTION	MODEL(S)
7	14001737	LABEL, tour-pak load limit (Brazil) (not shown)	FLHR, FLHRXS, FLHTK, FLHTK SHRINE, FLHXS, FLTRK, FLTRXS
7	14002215	LABEL, tour-pak load limit (HD3) (not shown)	FLHTK
8	14000827	CLEAR OVERLAY, VIN label (Japan)	FLHR, FLHRXS, FLHT, FLHTK, FLHXS, FLTRXS
9	14001773	LABEL, fuel (England, HDI)	ALL
10	14001736	LABEL, primary cover (Brazil) (not shown)	FLHR, FLHRXS, FLHTK, FLHTK SHRINE, FLHXS, FLTRK, FLTRXS
10	14001800	LABEL, fuel tank (Asia-Pacific, ASEAN) (not shown)	FLH, FLHRXS, FLHTK, FLHXS, FLTRK, FLTRXS
10	14001859	LABEL, front brake lever (China) (not shown)	FLHR, FLHRXS, FLHT, FLHTK, FLHXS, FLTRXS
10	14002628	LABEL, rear shock warning (China) (not shown)	FLHRXS, FLHTK, FLHXS, FLTRXS

NOTE: When ordering any V.I.N., Emissions, or Noise Labels you must contact your local dealer with the V.I.N. number and model year of your motorcycle and the label type needed. Replacement V.I.N. and Emissions labels can only be ordered for warranty purposes through h-dnet Service eForm.

LOOSE PARTS (1 OF 3)



VIEW INTERACTIVE IMAGE

View interactive table

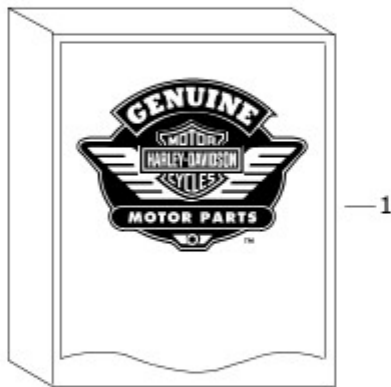
INDEX NO.	PART NO.	DESCRIPTION	MODEL(S)
1	66250-09	SIDE COVER (left) (unpainted) (See NOTE 1)	ALL
1	94000916	OWNER'S MANUAL (Domestic)	ALL

ALL TOURINGFLHTKNOTE 1: Left side cover is shipped loose. Refer to the Service Section of h-dnet.com for painted part numbers.NOTE 2: Order 58002-09A only if missing complete kit. Otherwise order individual components as needed. Refer to the COVERS AND AIR DEFLECTORS section in this parts manual.NOTE 3: The BOOM!™ BOX GTS Owners Manual (94000601 and BOOM!™ BOX 4.3 Owners Manual (94000585) are not included in the loose parts. Only available online or for separate order.

INDEX NO.	PART NO.	DESCRIPTION	MODEL(S)
1	69200336A	MAIN FUSE, 50 A (red)	ALL
1	90300043	KEY (set of 2) (specify key number)	ALL
1	90300111	REMOTE CONTROL FOB (except Japan)	ALL
1	90300112	REMOTE CONTROL FOB (Japan)	ALL
1	94000326	OWNER'S KIT CONTENT (Domestic)	ALL
1	58002-09A	AIR DEFLECTOR KIT, MID-FRAME (See NOTE 2)	FLHTK, FLHTK SHRINE
1	62152-08	MEDALLION, fuel tank (left) **RESTRICTED SALES PART**	FLHTK SHRINE
1	62153-08	MEDALLION, fuel tank (right) **RESTRICTED SALES PART**	FLHTK SHRINE
1	62241-08	INSERT, PEACE OFFICER (2) **RESTRICTED SALES PART**	FLHTK SHRINE
1	62242-08	INSERT, FIREFIGHTER (2) **RESTRICTED SALES PART**	FLHTK SHRINE
1	62243-08	INSERT, SPECIAL EDITION (2) **RESTRICTED SALES PART**	FLHTK SHRINE
1	76000799	ANTENNA MAST, AM/FM/WB/LW	FLHTK, FLHTK SHRINE
1	77117-10	HEADSET ASSEMBLY	FLHTK, FLHTK SHRINE
1	94000634	BOOM!™ BOX GTS, quick start guide (English)	FLHTK, FLHTK SHRINE
1	94000601	BOOM!™ BOX GTS, owners manual (See NOTE 3)	FLHTK, FLHTK SHRINE
1	52300053	BACKREST ASSEMBLY, passenger (black)	FLHTK, FLHTK SHRINE
1	57400001	WINDSHIELD (clear) (Domestic)	FLHTK, FLHTK SHRINE
1	57400001	WINDSHIELD (clear) (Brazil, Australia)	FLHTK, FLHTK SHRINE
1	57400002	WINDSHIELD (clear) (HDI, England, Japan)	FLHTK, FLHTK SHRINE
1	57400058	WIND DEFLECTOR (clear) (Asia-Pacific)	FLHTK, FLHTK SHRINE

ALL TOURINGFLHTKNOTE 1: Left side cover is shipped loose. Refer to the Service Section of h-dnet.com for painted part numbers.NOTE 2: Order 58002-09A only if missing complete kit. Otherwise order individual components as needed. Refer to the COVERS AND AIR DEFLECTORS section in this parts manual.NOTE 3: The BOOM!™ BOX GTS Owners Manual (94000601 and BOOM!™ BOX 4.3 Owners Manual (94000585) are not included in the loose parts. Only available online or for separate order.

LOOSE PARTS (2 OF 3)



VIEW INTERACTIVE IMAGE

View interactive table

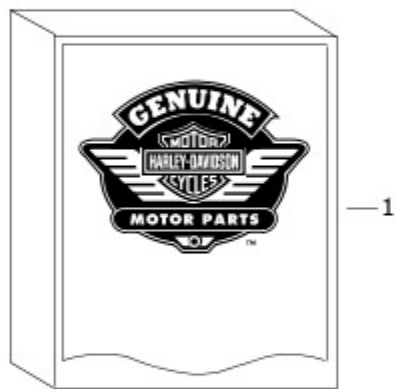
INDEX NO.	PART NO.	DESCRIPTION	MODEL(S)
1	3767B	BOLT (4)	FLHTK, FLHTK SHRINE

FLHTK - TOUR-PAK ADAPTER KIT (China)FLHTK - LICENSE PLATE MOUNTING KIT HARDWAREFLTRX, FLTRXSFLTRX, FLTRXS - WINDSHIELD HARWAREFLHRFLHNOTE 1: Left side cover is shipped loose. Refer to the Service Section of h-dnet.com for painted part numbers.NOTE 2: Order 58002-09A only if missing complete kit. Otherwise order individual components as needed. Refer to the COVERS AND AIR DEFLECTORS section in this parts manual.NOTE 3: The BOOM!™ BOX GTS Owners Manual (94000601 and BOOM!™ BOX 4.3 Owners Manual (94000585) are not included in the loose parts. Only available online or for separate order.

INDEX NO.	PART NO.	DESCRIPTION	MODEL(S)
1	6703	WASHER (4)	FLHTK, FLHTK SHRINE
1	53000311	ADAPTER PLATE, Tour-Pak	FLHTK, FLHTK SHRINE
1	2731W	SCREW (2)	FLHTK, FLHTK SHRINE
1	59292-94	NUT, plastic (2)	FLHTK, FLHTK SHRINE
1	58002-09A	AIR DEFLECTOR KIT, MID-FRAME (See NOTE 2)	FLTRXS
1	76000799	ANTENNA MAST, AM/FM/WB/LW	FLTRX, FLTRXS
1	94000634	BOOM!™ BOX 6.5 GTS, quick start guide (English)	FLTRX, FLTRXS
1	94000877	BOOM!™ BOX GTS, owners manual (See NOTE 3)	FLTRX, FLTRXS
1	94000878	BOOM!™ BOX 4.3, owners manual (See NOTE 3)	FLTRX
1	57400302	WINDSHIELD (Domestic, Australia)	FLTRX, FLTRXS
1	57400303	WINDSHIELD (HDI, England, Japan, Asia-Pacific)	FLTRXS
1	933	SCREW (4)	FLTRX, FLTRXS
1	6054	WASHER (4)	FLTRX, FLTRXS
1	61300721	RAINSOCK	FLTRXS
1	57668-10	WINDSHIELD ASSEMBLY, complete, low (clear) (Asia-Pacific)	FLHR
1	57994-94	WINDSHIELD ASSEMBLY, complete (Domestic, Australia)	FLHR
1	58325-06	WINDSHIELD ASSEMBLY, complete (HDI, England, Japan)	FLHR
1	61400159	INSERT, handlebar cover	FLHR
1	94000916FRCN	OWNER'S MANUAL (French-Canadian)	FLH
1	94000916JA	OWNER'S MANUAL (Japanese)	FLH
1	94000634	BOOM!™ BOX 6.5 GTS, quick start guide (English)	FLH
1	58002-09A	AIR DEFLECTOR KIT, MID-FRAME (See NOTE 2)	FLH
1	57400001	WINDSHIELD (clear) (Domestic)	FLH
1	57400001	WINDSHIELD (clear) (Australia)	FLH
1	57400002	WINDSHIELD (clear) (HDI, England, Japan)	FLH

FLHTK - TOUR-PAK ADAPTER KIT (China) FLHTK - LICENSE PLATE MOUNTING KIT HARDWARE FLTRX, FLTRXS FLTRX, FLTRXS - WINDSHIELD HARWARE FLHR FLH
NOTE 1: Left side cover is shipped loose. Refer to the Service Section of h-dnet.com for painted part numbers.
NOTE 2: Order 58002-09A only if missing complete kit. Otherwise order individual components as needed. Refer to the COVERS AND AIR DEFLECTORS section in this parts manual.
NOTE 3: The BOOM!™ BOX GTS Owners Manual (94000601 and BOOM!™ BOX 4.3 Owners Manual (94000585) are not included in the loose parts. Only available online or for separate order.

LOOSE PARTS (3 OF 3)



VIEW INTERACTIVE IMAGE

View interactive table

INDEX NO.	PART NO.	DESCRIPTION	MODEL(S)
1	58002-09A	AIR DEFLECTOR KIT, MID-FRAME (See NOTE 2)	FLHXS
1	76000799	ANTENNA MAST, AM/FM/WB/LW	FLHX, FLHXS
1	94000634	BOOM!™ BOX 6.5 GTS, quick start guide (English)	FLHX, FLHXS
1	94000877	BOOM!™ BOX GTS, owners manual (See NOTE 3)	FLHX, FLHXS
1	94000878	BOOM!™ BOX 4.3, owners manual (See NOTE 3)	FLHX
1	57400003	WIND DEFLECTOR (smoked) (Domestic)	FLHX, FLHXS
1	57400003	WIND DEFLECTOR (smoked) (Brazil, Australia)	FLHXS
1	57400004	WIND DEFLECTOR (smoked) (HDI, England, Japan)	FLHXS
1	57400058	WIND DEFLECTOR (clear) (Asia-Pacific)	FLHXS
1	61300721	RAINSOCK	FLHXS
1	58002-09A	AIR DEFLECTOR KIT, MID-FRAME (See NOTE 2)	FLHRXS
1	61400159	INSERT, handlebar cover	FLHRXS
1	61300721	RAINSOCK	FLHRXS
1	58002-09A	AIR DEFLECTOR KIT, MID-FRAME (See NOTE 2)	FLTRK
1	57200066	WIND DEFLECTOR (left)	FLTRK
1	57200065	WIND DEFLECTOR (right)	FLTRK
1	57400305	WINDSHIELD (Domestic, Brazil)	FLTRK
1	57400262	WINDSHIELD (HDI)	FLTRK
1	57400260	WINDSHIELD (Asia-Pacific)	FLTRK
1	76000799	ANTENNA MAST, AM/FM/WB/LW	FLTRK
1	77117-10	HEADSET ASSEMBLY	FLTRK
1	94000634	BOOM!™ BOX GTS, quick start guide (English)	FLTRK
1	52300053	BACKREST ASSEMBLY, passenger (black)	FLTRK
1	2731W	SCREW (2)	FLTRK
1	59292-94	NUT, plastic (2)	FLTRK
1	57400308	TRIM (right) (black)	FLTRK
1	57400309	TRIM (left) (black)	FLTRK

FLHX, FLHXSFLHRXSFLTRKFLTRK - LICENSE PLATE MOUNTING KIT HARDWAREFLTRK - WINDSHIELD TRIMNOTE 1: Left side cover is shipped loose. Refer to the Service Section of h-dnet.com for painted part numbers.NOTE 2: Order 58002-09A only if missing complete kit. Otherwise order individual components as needed. Refer to the COVERS AND AIR DEFLECTORS section in this parts manual.NOTE 3: The BOOM!™ BOX GTS Owners Manual (94000601 and BOOM!™ BOX 4.3 Owners Manual (94000585) are not included in the loose parts. Only available online or for separate order.

INDEX NO.	PART NO.	DESCRIPTION	MODEL(S)
1	10200400	SCREW (4)	FLTRK

FLHX, FLHXSFLHRXSFLTRKFLTRK - LICENSE PLATE MOUNTING KIT HARDWAREFLTRK - WINDSHIELD TRIM
NOTE 1: Left side cover is shipped loose. Refer to the Service Section of h-dnet.com for painted part numbers.
NOTE 2: Order 58002-09A only if missing complete kit. Otherwise order individual components as needed. Refer to the COVERS AND AIR DEFLECTORS section in this parts manual.
NOTE 3: The BOOM!™ BOX GTS Owners Manual (94000601 and BOOM!™ BOX 4.3 Owners Manual (94000585) are not included in the loose parts. Only available online or for separate order.

Hardware List

[View interactive table](#)

PART NO.	DESCRIPTION
1009M	SCREW M6 X 1.0 X 20 socket head
10100062	LOCKNUT 7/16-20 flange (Grade F) (zinc)
10200042	SCREW No. 10-24 X 1-5/8 hex flange head full thread (Grade 5) (zinc)
10200052	SCREW 1/4-20 X 39/64 TORX SEMS socket button head , with lockpatch
10200059	SCREW 1/4-20 X 1-11/16 TORX socket button head matpoint (Grade 5) (black)
10200060	SCREW 1/4-20 X 2-5/8 TORX socket button head matpoint (Grade 5) (black)
10200061	SCREW No. 8-32 X 1/2 TORX SEMS pan head (zinc)
10200062	SCREW No. 8-32 X 3/8 TORX pan head (zinc)
10200063	SCREW No. 8 X 1/2 TORX SEMS pan head (stainless)
10200064	SCREW No. 8-32 X 1 TORX pan head (zinc)
10200065	SCREW No. 8-32 X 5/8 TORX SEMS pan head, with lockpatch (stainless)
10200103	SCREW No. 8-32 X 1/2 TORX SEMS pan head, with lockpatch (stainless)
10200105	SCREW No. 6-32 X 3/4 TORX pan head (black zinc)
10200112	SCREW 1/4-20 X 2 TORX button head SEMS (Grade 5) (black)
10200120	SCREW 5/16 X 18 X 1.00 hex cap
10200133	SCREW No. 8-16 X 9/16 TORX pan head (zinc)
10200134	SCREW 1/4-20 X 3/4 hex socket head (Grade 8) (zinc)
10200141	SCREW 1/4-20 X 1/2 hex socket button head (zinc)
10200142	SCREW 5/16-18 X 3/4 hex flange with internal hex SEMS, hardened (zinc)
10200147	SCREW No. 10-24 X 3/4 TORX socket button head SEMS (black)
10200154	SCREW No. 8 X 3/4 TORX SEMS pan head (stainless)
10200155	SCREW No. 8-16 X 1 TORX pan head (zinc)
10200156	SCREW No. 8-32 X 3/8 phillips round head (stainless steel)

PART NO.	DESCRIPTION
10200205	SCREW No. 10 X 1/2 pan head TORX, hardened (zinc)
10200217	SCREW 5/16-18 X 1-1/4 TORX SEMS, with lockpatch (zinc)
10200223	SCREW No. 10-24 UNRC X 3/4 TORX truss head (zinc)
10200258	SCREW 1/4-20 X 1-1/4 SEMS hex socket head (Grade 8) (zinc)
10200331	SCREW No. 10-32 X 7/16 socket button head (stainless)
10200343	SCREW 5/16-18 X 3-1/4 flange (zinc)
10200349	SCREW 10-24 X .75 Hex Head Socket
10200350	SCREW 1/4-20 X 1-1/8 SEMS hex socket head (Grade 8) (zinc)
10200365	SCREW 1/4-20 X 1-1/16 TORX socket head SEMS (Grade 8) (zinc)
10200373	SCREW M6 X 1 X 18mm hex head (Grade 10.9) (zinc)
10200400	SCREW No. 10-32 X 1 socket button head (black zinc)
10200408A	SCREW 3/8-16 X 2 hex head, with washer (Grade 8) (zinc)
10200414	SCREW 5/16-18 X 5/8 button head SEMS TORX T-40, with lockpatch (Grade 8) (zinc)
10200422	SCREW 1/4-20 X 5/8 button head SEMS TORX T-27, with lockpatch (zinc)
10200429	SCREW 3/8-16 X 2-1/2 hex socket head with scotch grip (Grade 8) (zinc)
10200442	SCREW No. 8-32 X 5/16 tri-lobe thread forming (zinc)
10200446	SCREW 1/4-20 X 1 hex flange, with adhesive
10200463	SCREW 3/8-16 X 1-3/8 hex head with lockpatch (Grade 8) (zinc)
10200503	SCREW 5/16-18 X 1-1/4 12 pt. head (Grade 8)
10200546	SCREW No. 10-24 X 5/8 hex serrated flange, with scotch grip (zinc-nickel plate and seal)
10200569	SCREW 5/16-18 x 1/2 hex flange head, serrated
10200706	SCREW 10-24 X 3/4, TORX, pan hd with lockpatch, (bright zinc)
10201023	SCREW 10-24 X 1/4 TORX button head, T-25 (Grade 8) (zinc)
10201186	SCREW 10-32 X 750 socket hex
10201187	SCREW .375-16 X 2.750 TORX button head T-45
10201188	SCREW .312-18 X 1.30 TORX pan head T-40
10500015	SCREW 5/16-18 X 1-7/8 SEMS hex socket head
10500017	SCREW No. 10 X 3/8 pan head, TORX, plastite, hardened (zinc)
10500022	SCREW 5/16-18 X 1-1/2 SEMS hex socket head (Grade 8) (zinc)
10500036	SCREW 3/8-16 X 2 SEMS socket head (Grade 8.8) (black)

PART NO.	DESCRIPTION
10500184	SCREW 1/4-20 X 1/2 custom washer head (grade 5) (zinc)
1062	SCREW 1/4-20 X 5/8 TORX head (Grade 8)
12600032	SCREW 1/2-13 X 2 hex head cap lock patch(Grade 5)
12600049	SCREW No. 10-24 X 3/4 pan head torx, with lockpatch (Grade 8) (zinc)
1332	SCREW No. 5/16 X 2-1/4 socket button head with lock patch (Grade 8)
1775	SCREW 1/4-20 X 4 hex socket head (Grade 8)
2445	SCREW 1/4-20 X 9/16 button head
2446	SCREW 1/4-20 X 5/8 TORX socket button head
2452	SCREW No. 12-24 X 13/16 pan head, with lockpatch
2478	SCREW No. 10-24 X 1/2 TORX button head
2479	SCREW 5/16-18 X 1-1/8 SEMS socket head
2482	SCREW 6-32 X 5/16 socket button head (stainless)
2531	SCREW No. 4-40 X 5/16 Pozidriv pan head (Grade 2)
2563	SCREW No. 10-24 X 5/8 TORX button head
2647B	SCREW No. 10-24 X 3/4 socket head, self-locking
2667	BOLT 5/16-18 X 2 hex head (Grade 5)
2692WB	SCREW No. 10-24 X 1/2 socket fillister head (Grade 8)
2708A	SCREW 5/16-18 X 1 socket head
2724	SCREW No. 10-16 X 1/2 (Grade 2) (chrome)
2731W	SCREW No. 10 X 3/8 Phillips truss head, self-tapping
2921A	SCREW 12-24 X 5/8 TORX pan head, T27
29269-83A	SCREW 15/16-18 X 5/8 hex button head, with lockpatch
2933	SCREW No. 10-24 X 1/2
2952A	SCREW 1/4-20 X 1/2 SEMS truss head
2968	SCREW No. 8-32 X 3/4 TORX pan head
2995	SCREW No. 10-16 X 3/4 pan head
2998	SCREW 5/16-18 X 1-1/8 hex head (Grade 5)
3022A	SCREW 1/4-20 X 5/8 socket fillister head, with lockpatch
3048	SCREW No. 10-24 X 3/8 hex button head
3050	SCREW No. 10-24 X 1-3/8 TORX head

PART NO.	DESCRIPTION
3057	SCREW 7/16-14 X 1-1/4 hex head with washer, with lock patch
3061	SCREW 1/4-20 X 5/8 SEMS hex head
3088	SCREW 1/4-20 X 1-1/2 socket button head (chrome)
3143	SCREW 3/8-16 X 1 hex socket head, with lock patch
3152	SCREW #10 X 1/2 TORX pan head
3225	BOLT No. 6 X 5/8 long phillips pan head (zinc)
3249	SCREW 5/16-18 X 1-3/16 socket head (Grade 8)
3275	SCREW 5/16-18 X 3/4 socket head (Grade 8)
3445	BOLT 5/16-18 X 9/16 hex head, with lockpatch (Grade 5)
3514	SCREW No. 8-32 X 1 fillister head (Grade 5)
35241-06	NUT 1-3/4-20 X .350 X 2-1/4 hex head
35244-06	SCREW 5/16-18 X 1-1/4 hex flange head
35259-06	SCREW No. 10-24 X 1/2 hex head (Grade 8)
3536	BOLT 3/8-16 X 1-1/4 hex head (Grade 8)
3560WA	BOLT No. 10-24 X 3/8
3561WC	BOLT No. 10-24 X 3/8
3563	SCREW 1/4-20 X 3/8 hex flange head (Grade 5)
3576	SCREW 5/16-18 X 1/2 hex head, with washer.
3588	SCREW 1/4-20 X 1/2 hex flange head
3594	SCREW 1/4-20 X 5/8 knurled head (Grade 8)
3601	SCREW 1/4-20 X 1-1/4 knurled head (Grade 8)
3607	BOLT 1/2-13 X 2 hex head (Grade 5)
3612	SCREW No. 10-16 X 1/2 TORX pan head, self-tapping
3622	SCREW No. 10-16 X 3/8 pan head, self-tapping
3634	SCREW 5/16-18 X 1.0 self-tapping
3655A	SCREW 5/16-18 X 7/8 TORX pan head, with lockpatch (Grade 8)
3656	SCREW No. 8-32 X 3/8 TORX pan head (Grade 5)
36706-01K	BOLT M6 X 1.0 X 30 hex flange head
3676	SCREW 5/16-18 X 5/8 TORX pan head
3684	SCREW 5/16-18 X 1 TORX pan head

PART NO.	DESCRIPTION
3699D	SCREW 3/8-16 X 2.0 hex flange head (Grade 8)
3767B	BOLT 1/4-20 X 5/8 hex head (Grade 5)
3787	BOLT 1/4-20 X 3/4 hex head (Grade 5)
3892	SCREW 1/4 X 5/8 self-tapping
3901	SCREW 1/4-20 X 1.0 hex flange head (Grade 5)
3910	SCREW 1/2-20 X 2-1/4 hex head full thread (Grade 5) (zinc)
3929	SCREW 5/16-18 X 1/2 hex head
3976	SCREW 1/4-20 X 1 hex flange head (Grade 5)
3983	SCREW 3/8-16 X 1-5/8 hex flange head, with washer (Grade 8)
3987	BOLT 5/16-18 X 3/4 hex head (Grade 5)
4067	BOLT 5/16-18 X 4-1/2 hex head (Grade 5)
4132	SCREW 1/4-20 X 1-1/8 TORX button head (Grade 5) (black)
4194	SCREW No. 10-24 X 5/16 TORX pan head (Grade 5)
4240	SCREW No. 10-24 X 3/16 hex head, with washer
4312C	SCREW M6 X 1.0 X 14mm, SEMS flange head (stainless)
43567-92	SCREW 3/8-16 X 1 TORX pan head, with lockpatch
4419	SCREW 5/16-18 X 1-3/4 SEMS hex head
45500118	SCREW M14 X 1.25 X 25 hex socket cap (zinc)
45500132	SCREW M8 X 1.25 X 45 hex socket cap (Grade 8.8)
4597M	SCREW M10 X 1.5 X 30 hex socket head
4612	SCREW 10-24 X 3/4 TORX pan head
46509-01	WASHER 30 X 43 X 2.3
4688	SCREW 3/8-16 X 1-1/4 SEMS hex socket head, with lock patch
4694	SCREW No. 8-32 X 3/8 TORX pan head, with lockpatch
4705	SCREW 1/4-20 X 11/16 SEMS socket head, with lockpatch
4706	SCREW 3/8-16 X 4 hex head
4718A	SCREW 1/4-20 X 1-1/2 knurled head, with lockpatch
4740A	SCREW 1/4-20 X 1-1/4 knurled head, with lockpatch (Grade 8)
4741A	SCREW 1/4-20 X 1 socket head, with lockpatch
4775	SCREW 3/8-16 X 1-1/4 hex head (Grade 5)

PART NO.	DESCRIPTION
4790	SCREW No. 10-16 X 3/4 TORX head, self-tapping
4813A	SCREW 1/4-20 X 1-3/8 knurled head, with lockpatch
4816A	SCREW 5/16-18 X 1-1/2 socket head
4820A	SCREW 1/4-20 X 2 socket head
4822A	SCREW 1/4-20 X 2-3/4 knurled head, with lockpatch
4856	SCREW No. 10-24 X 1/2 socket head (stainless)
4867	SCREW hex head, socket
4916	SCREW 5/16-18 X 1.0 hex socket head shoulder
4924	SCREW 3/8-16 X 7/8 TORX button head (zinc plate) (Grade 5)
57300388	SCREW 3/8-16 X 4.5 hex head (Grade 5)
6019	WASHER 3/8 X 29/32 X 1/16
6026	WASHER 3/8 X 7/8 X 7/64
6036	WASHER 17/64 X 1 X 1/16
6054	WASHER 3/16 X 9/16 X 1/16 nylon (black)
6072	WASHER 3/8 X 1 1/4 X 5/64
6101	WASHER 17/64 X 27/64 X 1/16
6109	WASHER 5/16 X 11/16 X 1/8
6113	WASHER 1/2 X 13/16 X 1/32
6116	WASHER 5/16 X 16/16 X 1/8
6119	WASHER 1/4 X 9/16 X 1/16
6127	WASHER 13/32 X 13/16 X 5/64
6150W	WASHER 3/16 X 3/8 X 1/16
6220W	WASHER 1/4 X 7/16 X 1/32
6235	WASHER 1/4 X 23/32 X 1/16
6333	WASHER 5/16 X 7/8 X 5/64
6416	WASHER 3/8 X 1 X 5/64
6421	WASHER 21/64 X 1-1/2 X 1/16 offset 7/32
6497HW	WASHER 29/64 X 1-1/8 X 1/16
6532	WASHER 3/8 X 3/4 X 1/8
6590HW	WASHER 1/2 X 1-1/8 X 3/32

PART NO.	DESCRIPTION
6594	WASHER 5/8 X 1-1/8 X 3/32
6702	WASHER 5/16 X 11/16 X 1/16
6703	WASHER 1/4 X 5/8 X 1/16
67721-48	SCREW 8-32 X 1/4 phillips head self-tapping
6789	WASHER No. 6 X 7/8 X .05
68026-99	SCREW No. 8-32 X 1 Phillips pan head (stainless)
68042-99	SCREW No. 8-32 X 3/8 TORX head
68120-00	SCREW No. 8-32 x 1-2 TORX head, self-tapping
7036	WASHER 1/4 X 31/64 X 1/16
7038	LOCKWASHER 3/8
703B	SCREW 1/4-20 X 7/16 TORX socket button head
7041	LOCKWASHER 5/16
7069	LOCKWASHER No. 10
7129	LOCKWASHER 1/2 internal tooth
7130W	LOCKWASHER 3/8 internal tooth
7155	LOCKWASHER 5/16 internal tooth (black)
7330	ACORN NUT 5/16-24 (chrome)
7331	ACORN NUT 5/16-24
7352	ACORN NUT 5/16-24 (black)
7415A	WASHER 11/32 X 7/8 X 1/8 rubber
7434	WASHER 1/4 X 1-29/64 X 1/16 nylon
7495	NUT M6 X 1.0 flange lock
7499	NUT 1/4-20 large flange
7531	LOCKNUT 5/16-18 X 9/32 X 1/2 flange
7549A	ACORN NUT 5/16-18 X 9/16 X 1/2
7576	NUT 5/16-18 UNC keps flange
7586	JAMNUT 9/32-28 X 1/4
7593	NUT 5/16-24 flange
7600	NUT No. 4-40 keps
7601	LOCKNUT 3/8-16 flange

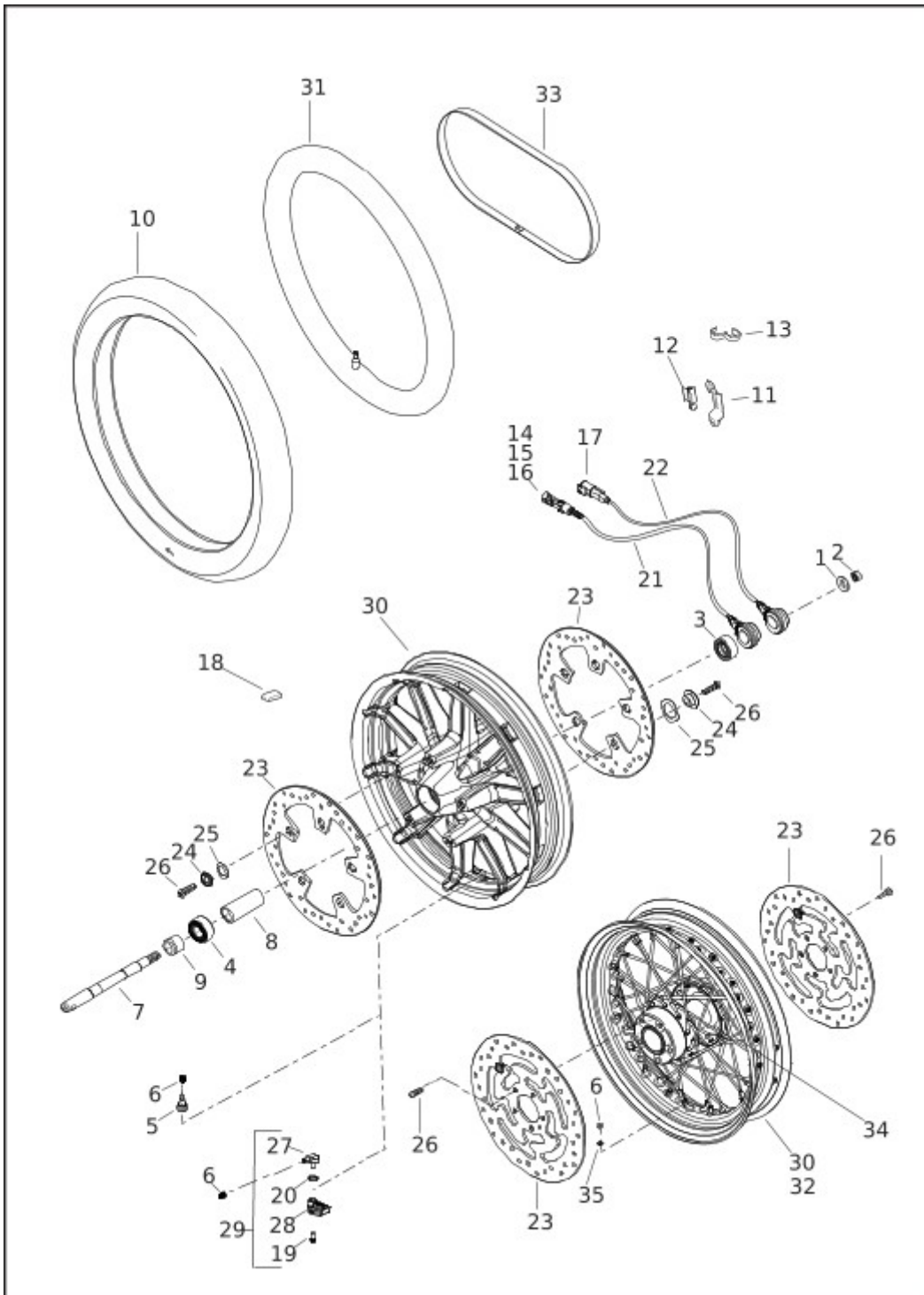
PART NO.	DESCRIPTION
7606	LOCKNUT No. 8-32 X 1/4 X 1/4 hex (chrome)
7624	LOCKNUT No. 10-24 X 1/4 X 3/8
76259-86	NUT 1/2-20 hex jam
7629	NUT No. 10-32 X 3/8 keps
7651A	ACORN NUT No. 12-24 (Grade 2) (chrome)
7667	NUT 3/8-16 X 9/32 X 9/16 nylon insert
7686	LOCKNUT 1/4-20 X 5/16 X 7/16
7687	NUT 3/8-16 X 25/64 (Grade 2)
7716	LOCKNUT 1/4-20 X 7/16 flange
7744	JAMNUT 5/16-24 X 3/16 X 1/2 (Grade 2)
7792	NUT 1/4-20 X 1/4 (Grade 2)
780	SCREW 1/4-20 X 7/8 SEMS hex head (Grade 8)
7813A	NUT 5/8-18 X 9/16 X 15/16 (Grade 2)
7825	LOCKNUT 7/16-20 X 7/16 X 5/8
786A	BOLT 5/16-18 X 2-1/4 hex head (Grade 5)
7880	NUT 1/2-13 X 7/16 X 3/4 (Grade 2)
7888A	NUT No. 6-32 flange head
7889	NUT No. 6-32 keps
7900	CLIP NUT 1/4-20
791A	SCREW 3/8-18 X 2-1/4 hex flange head (Grade 5)
7992	ACORN NUT 5/16-18
8020	NUT M24 X 2.0 X 15
8108	SPEEDNUT 1/4-20
84850-92	NUT 3/4-24 X 5/32
856A	SCREW 5/16-24 X 1 socket head (Grade 8)
869	SCREW 1/4-20 X 1-1/4 socket button head (Grade 8)
882	SCREW 1/4-20 X 7/8 knurled head, with washer (Grade 8)
8972	WASHER 1-1/4 X 1-53/64 X 1/8
90770-79	SCREW No. 8-32 X 3/8 Pozidriv head, self-tapping
90844-80	ACORN NUT No. 10 X 3/8 flange (Grade 2)

PART NO.	DESCRIPTION
----------	-------------

- 923 SCREW 1/4-20 X 3/4 socket pan head
- 933 SCREW No. 10-32 X 15/16 Pozidriv truss head (Grade 2)
- 942 SCREW 1/4-20 X 3/4 TORX button head, with lockpatch (Grade 8)
- 946 SCREW 1/4-20 X 2-1/4 socket button head, with lockpatch (Grade 8)

New Parts List

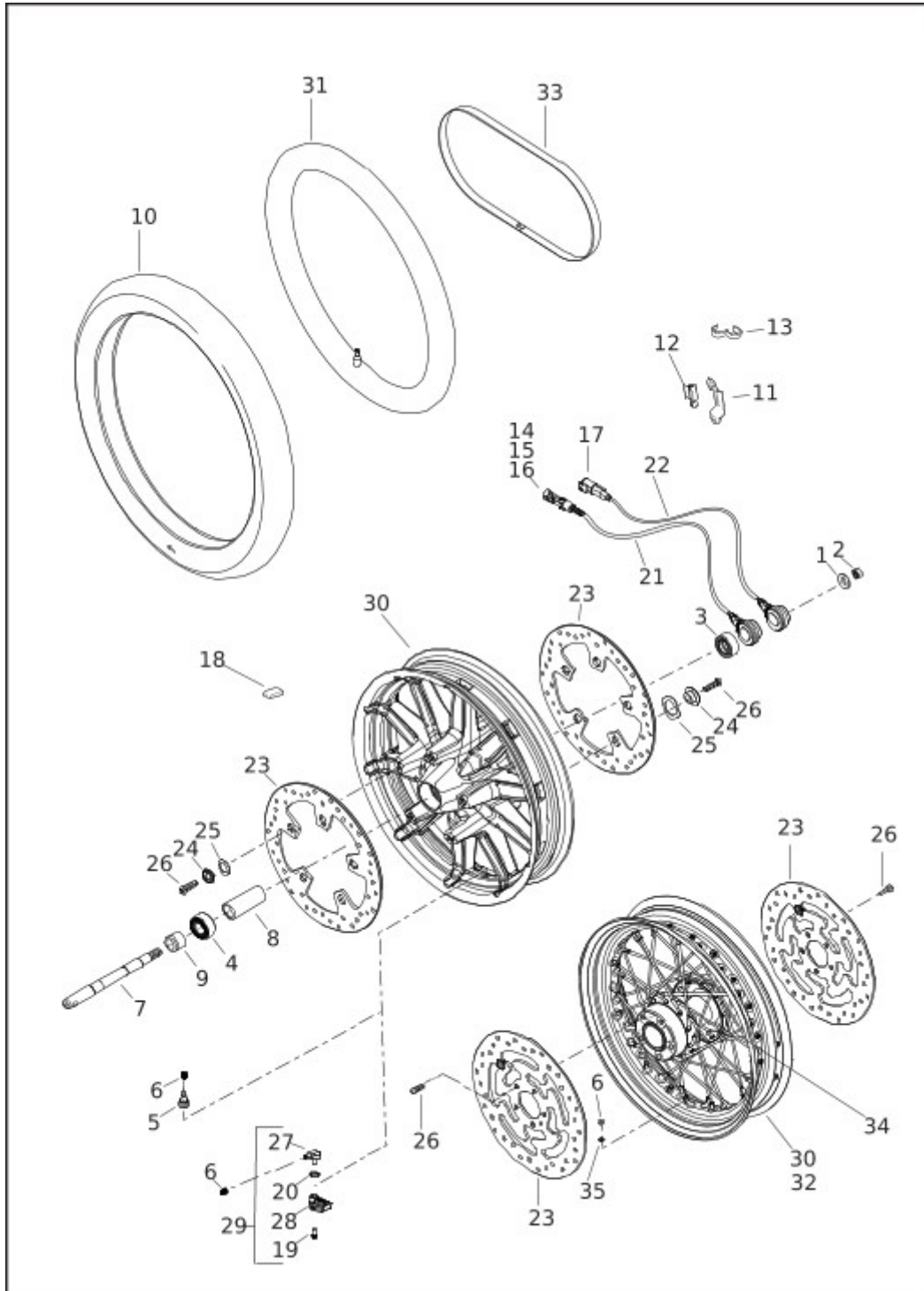
WHEELS, FRONT (1 OF 2)



View interactive table

INDEX NO.	PART NO.	DESCRIPTION	MODEL(S)
10	43118-92A	TIRE, wide white wall, 16 in	FLH

WHEELS, FRONT (2 OF 2)

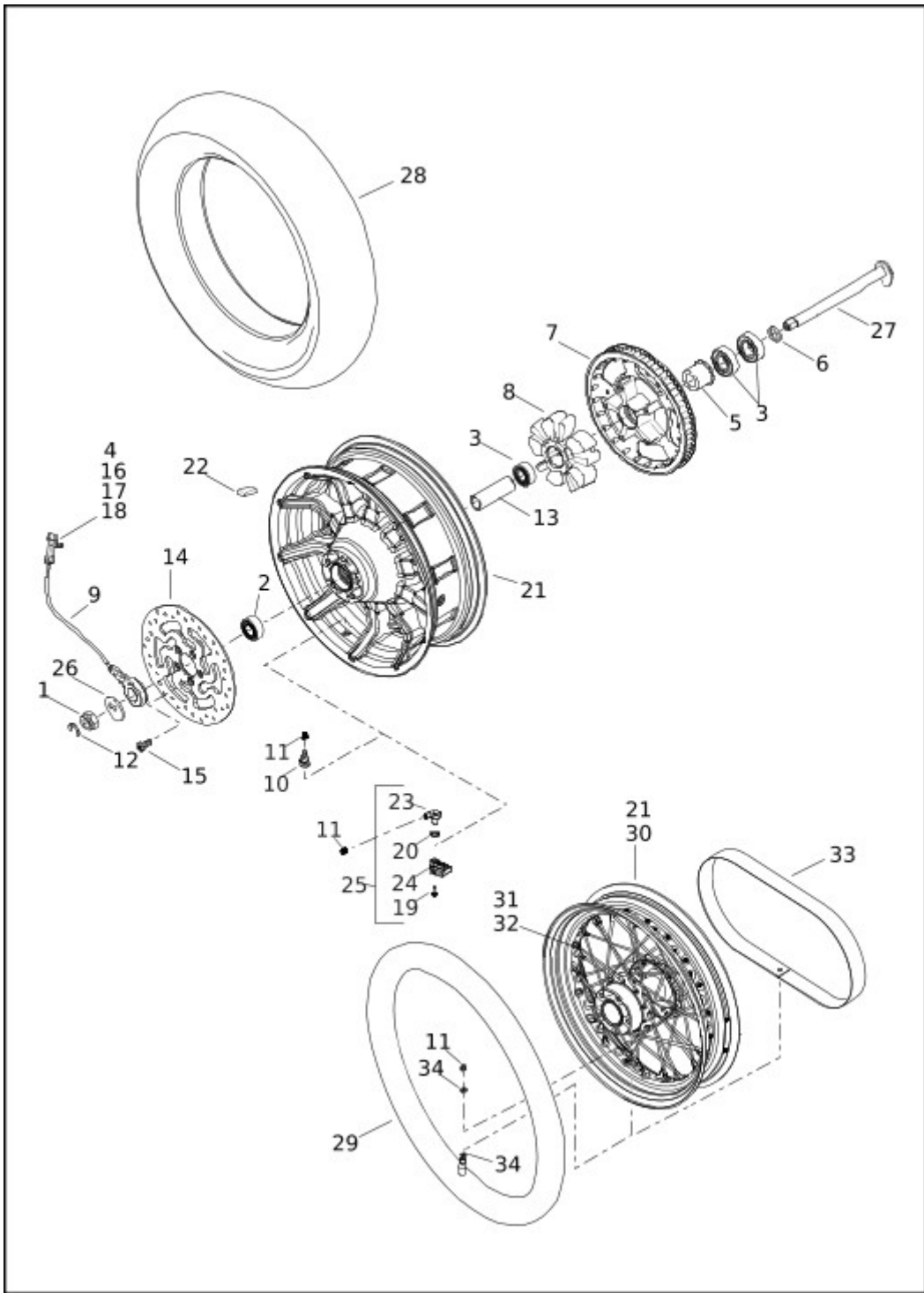


View interactive table

INDEX NO.	PART NO.	DESCRIPTION	MODEL(S)
23	41808-08A	BRAKE ROTOR, right	FLH

INDEX NO.	PART NO.	DESCRIPTION	MODEL(S)
23	41809-08A	BRAKE ROTOR, left	FLH
26	3655A	SCREW (10)	FLH
30	40960-09	WHEEL, laced, without bearings and sleeve, 16 inch (chrome), with 43085-97	FLH
31	40558-82	INNER TUBE, 16 inch with 41123-79 and 54321-85	FLH
32	43085-97	RIM, 16 inch (chrome)	FLH
33	43147-40	RIM FLAP, 16 inch	FLH
34	43241-05	SPOKE AND NIPPLE KIT, 16 inch, set of 40	FLH
35	54321-85	NUT (2)	FLH

WHEELS, REAR (2 OF 2)

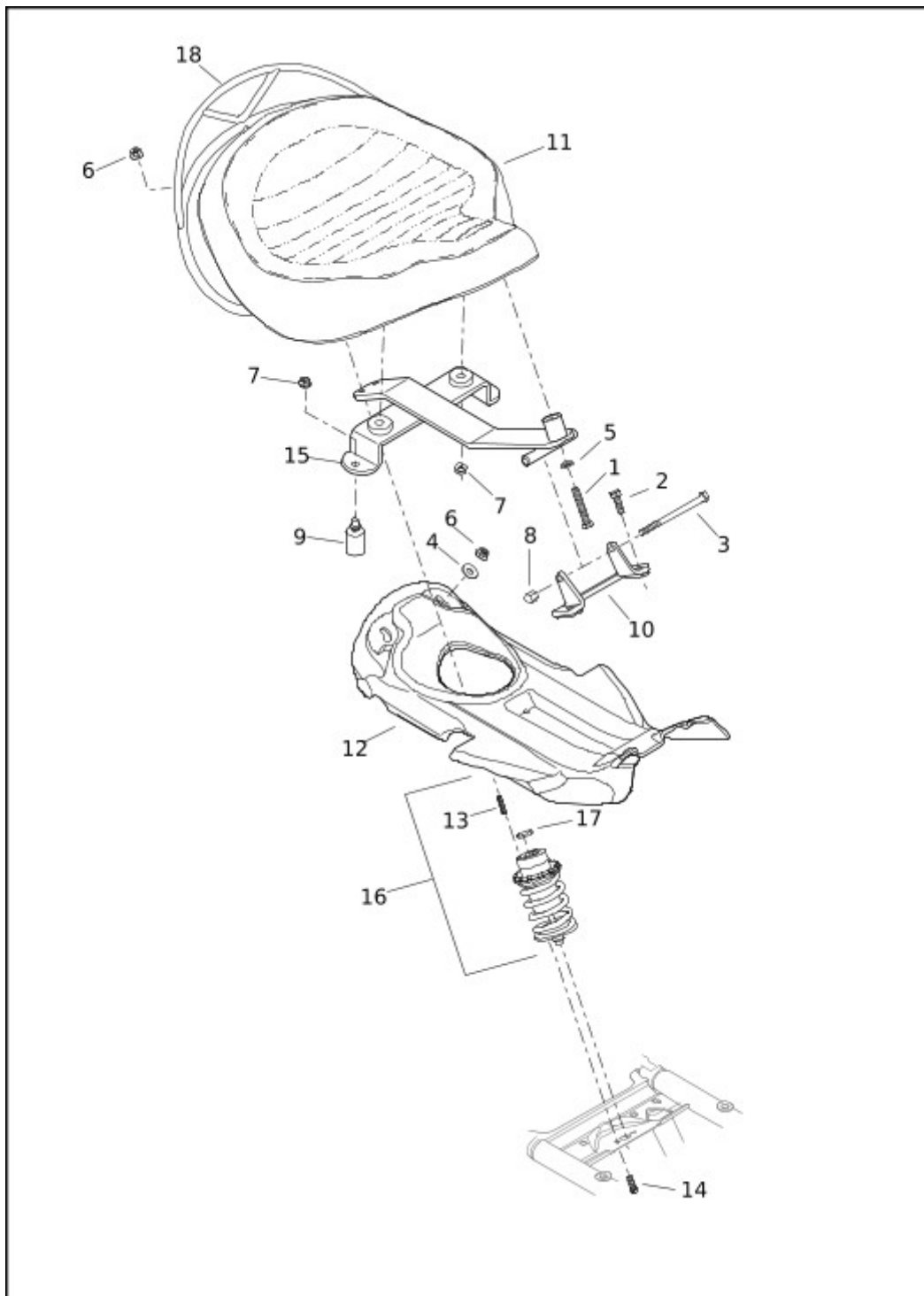


[View interactive table](#)

INDEX NO.	PART NO.	DESCRIPTION	MODEL(S)
21	41052-09	WHEEL, laced, without bearings and sleeve, 16 inch with 41445-09	FLH
22	95595-84C	WEIGHT, 5 gram (silver) (3)	FLH
28	43200054	TIRE, 16 inch 180/65B16	FLH
29	40592-09	INNER TUBE, 16 inch with 54321-85	FLH
30	41445-09	RIM, 16 inch (chrome)	FLH
31	41746-09	SPOKE AND NIPPLE KIT, 16 inch, set of 20, short-head	FLH
32	42018-09	SPOKE AND NIPPLE KIT, 16 inch, set of 20, long-head	FLH

INDEX NO.	PART NO.	DESCRIPTION	MODEL(S)
33	43099-09	RIM FLAP, 16 inch	FLH
34	54321-85	NUT (2)	FLH

SEAT- FLH

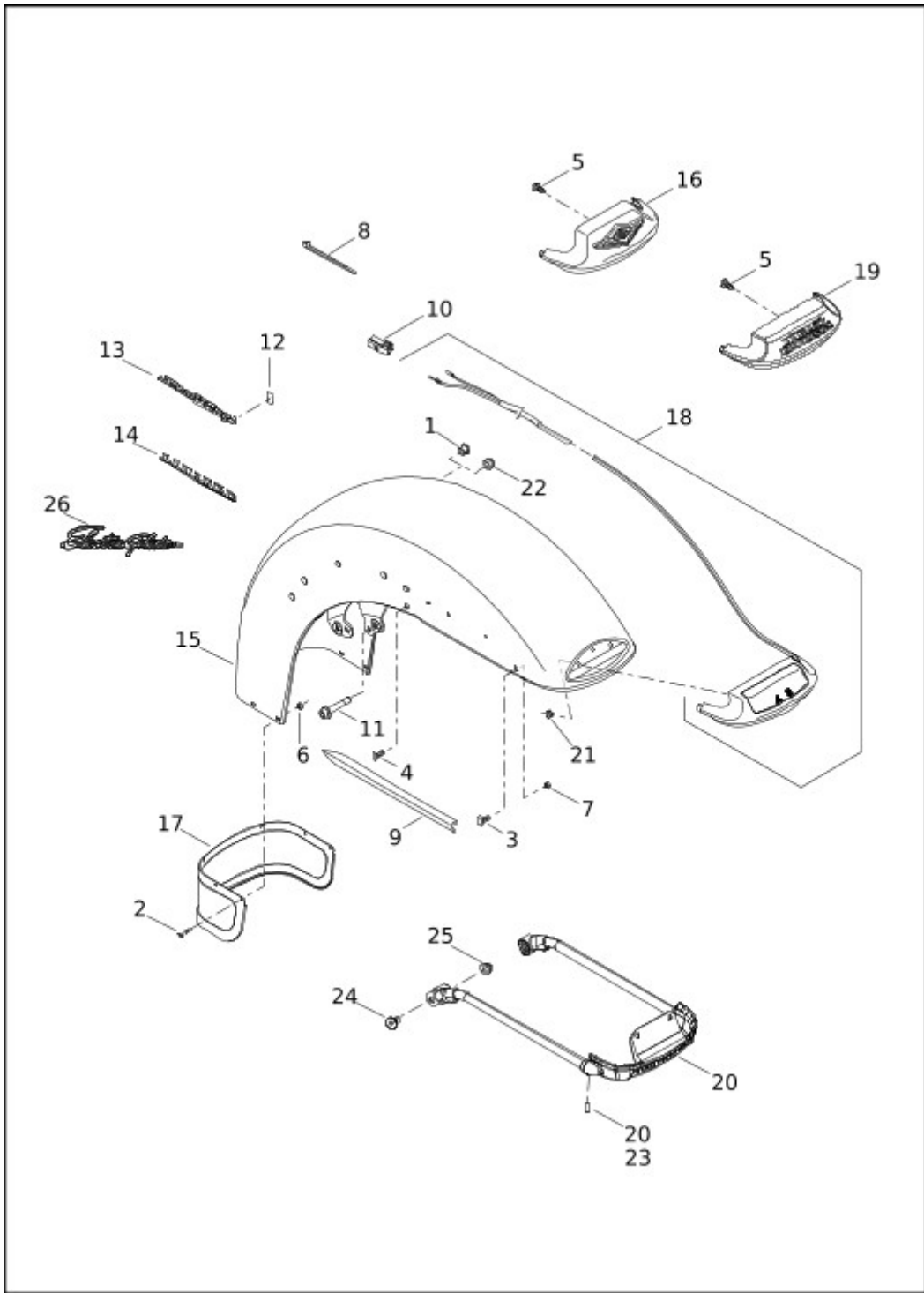


[View interactive table](#)

INDEX NO.	PART NO.	DESCRIPTION	MODEL(S)
1	2667	BOLT	FLH

INDEX NO.	PART NO.	DESCRIPTION	MODEL(S)
2	2998	BOLT (2)	FLH
3	4067	BOLT	FLH
4	6333	WASHER (2)	FLH
5	6702	WASHER	FLH
6	7499	NUT (4)	FLH
7	7531	LOCKNUT (4)	FLH
8	7549A	ACORN NUT	FLH
9	52100068	BUMPER, rubber (2)	FLH
10	52220-08	BRACKET, mount seat	FLH
11	52000569	SOLO SEAT **RESTRICTED SALES PART**	FLH
12	52301-09A	FAIRING SEAT	FLH
13	10900054	STUD (2)	FLH
14	10200135	SCREW (2)	FLH
15	52100006	BRACKET, seat support	FLH
16	52100069	SPRING ASSEMBLY, seat suspension, with 10900054 and 52100009	FLH
17	52100009	CAP, seat suspension	FLH
18	52300717	BACKREST RAIL (chrome) **RESTRICTED SALES PART**	FLH

FENDERS, FRONT

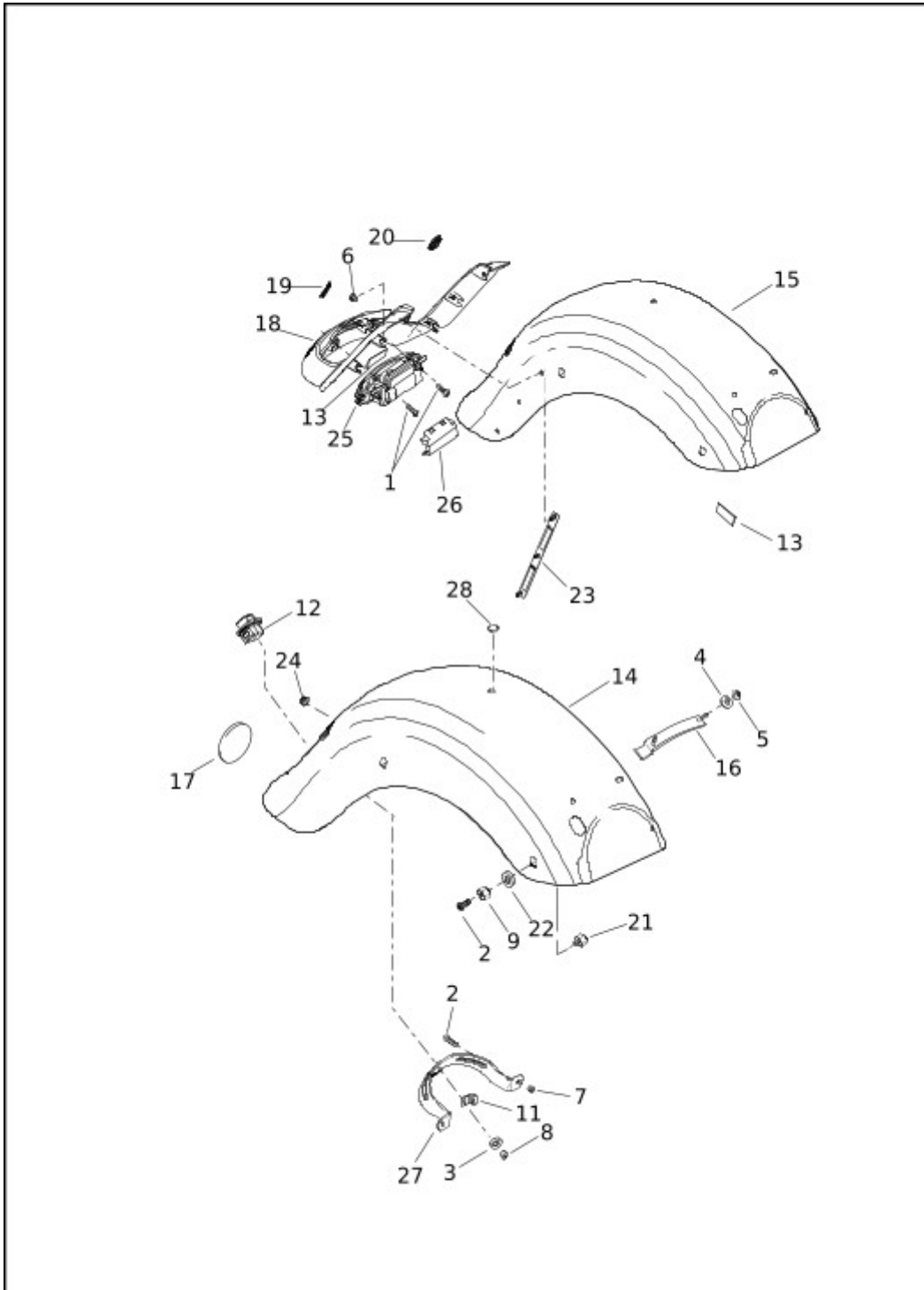


[View interactive table](#)

INDEX NO.	PART NO.	DESCRIPTION	MODEL(S)
10	73152-96WE	HOUSING, two-way socket (without fender tip light) (Australia, HDI, HD4, EN2, Japan) (white)	FLH
10	73152-96BK	HOUSING, two-way socket (California, Canada, Domestic) (black)	FLH
18	59600003	FENDER LIGHT ASSEMBLY, with 73191-96 (California, Canada, Domestic) (amber)	FLH
19	59600011	FRONT FENDER TIP, (Australia, HDI, HD4, EN2, Japan)	FLH
20	59600046	FENDER TIP ASSEMBLY, with 10200268	FLH
21	7629	NUT (California, Canada, Domestic) (2)	FLH

INDEX NO.	PART NO.	DESCRIPTION	MODEL(S)
22	11437	GROMMET, wiring harness (California, Canada, Domestic)	FLH
23	10200268	SET SCREW (2)	FLH
24	10500184	SCREW (2)	FLH
25	7716	NUT (2)	FLH
26	14101507	MEDALLION, Electra Glide (2) **RESTRICTED SALES PART**	FLH

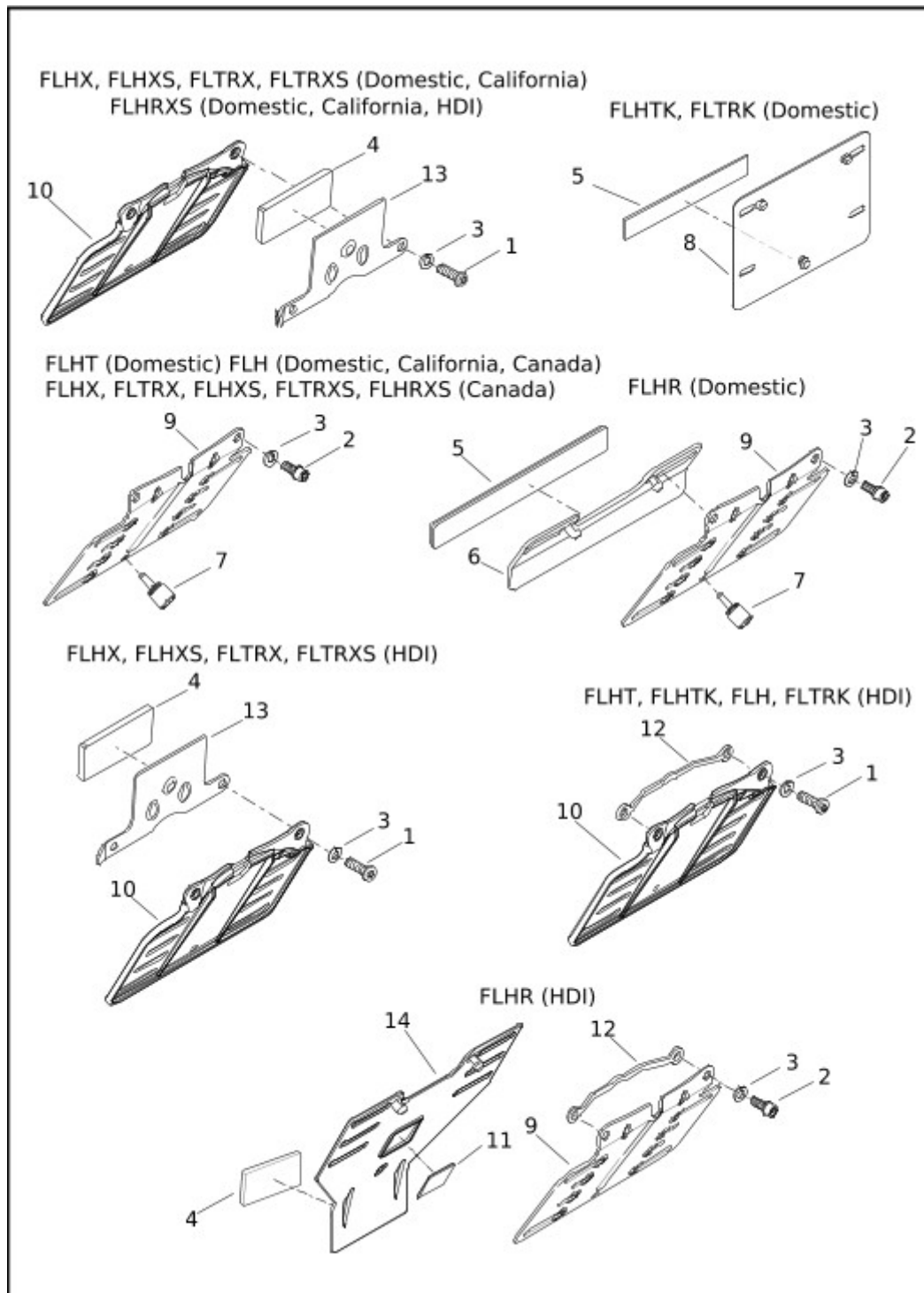
FENDERS, REAR



[View interactive table](#)

INDEX NO.	PART NO.	DESCRIPTION	MODEL(S)
16	59500519	STUD PLATE	ALL
28	761	PLUG	FLH

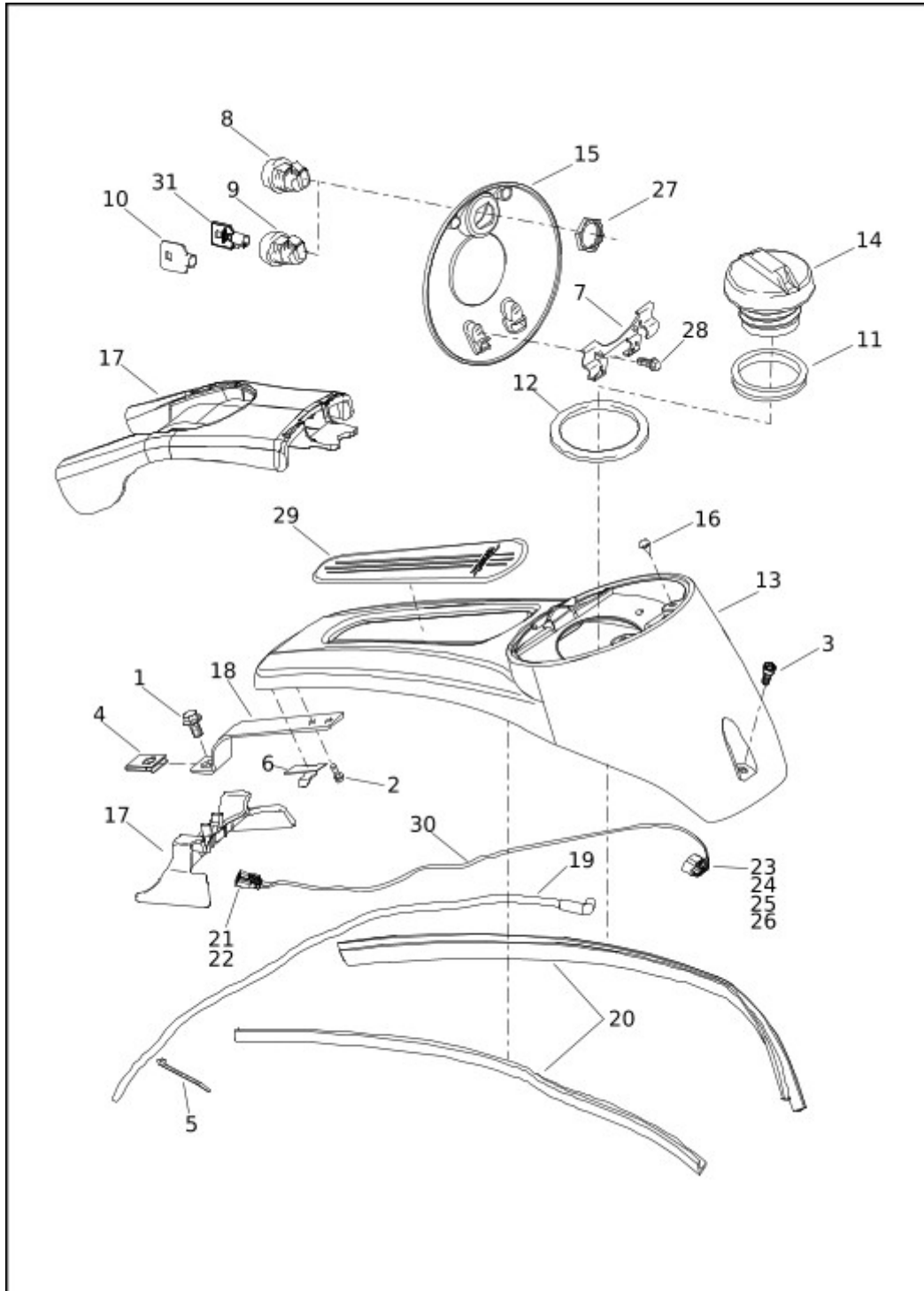
LICENSE PLATE BRACKETS



[View interactive table](#)

INDEX NO.	PART NO.	DESCRIPTION	MODEL(S)
7	67900009	BUMPER, license plate bracket	FLH

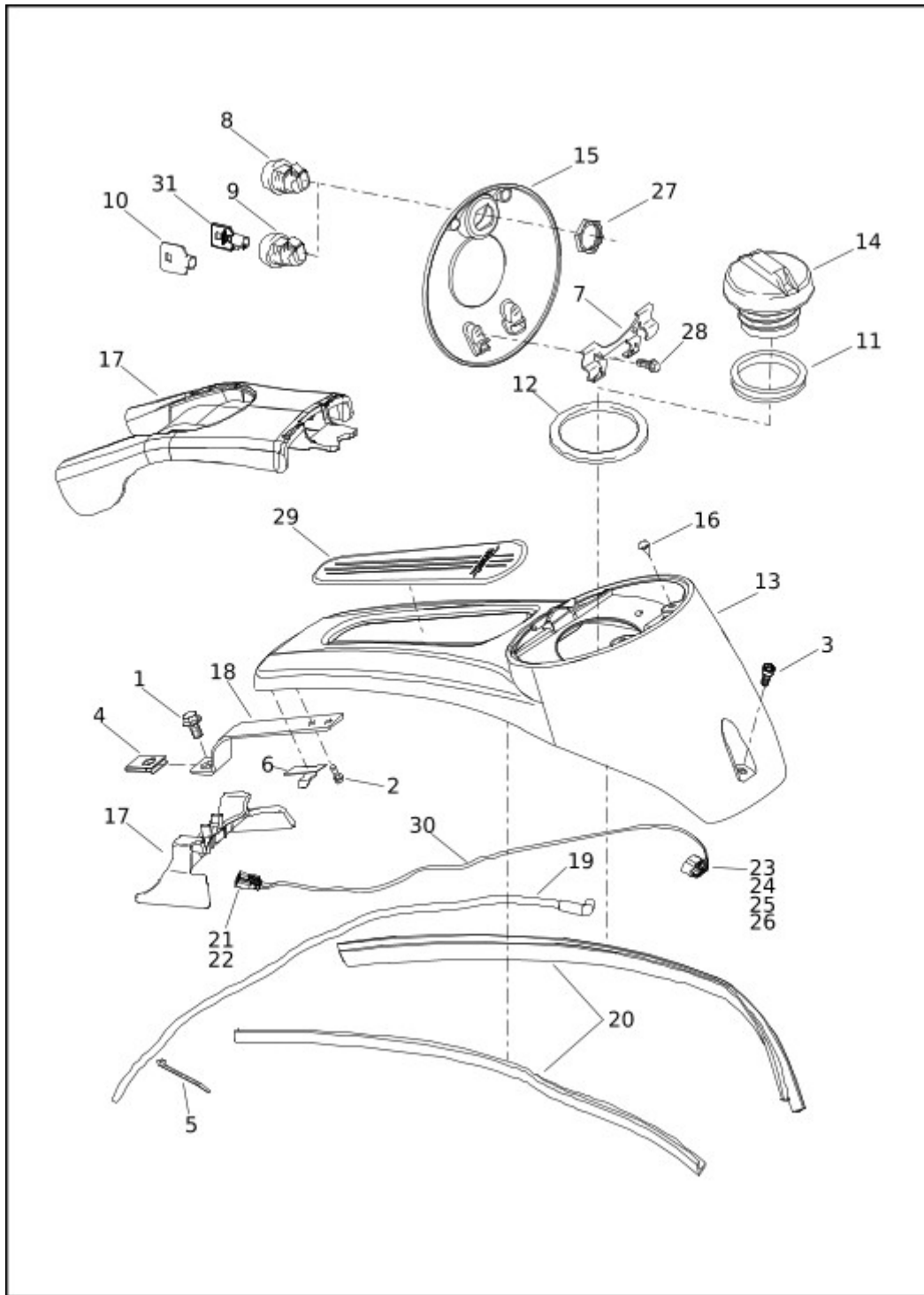
CONSOLE, FUEL TANK - FLHT, FLHTK, FLHX, FLH, FLTRK AND FLTRX (1 OF 2)



[View interactive table](#)

INDEX NO.	PART NO.	DESCRIPTION	MODEL(S)
15	63603-05	DOOR KIT, console, with screw (black)	FLH

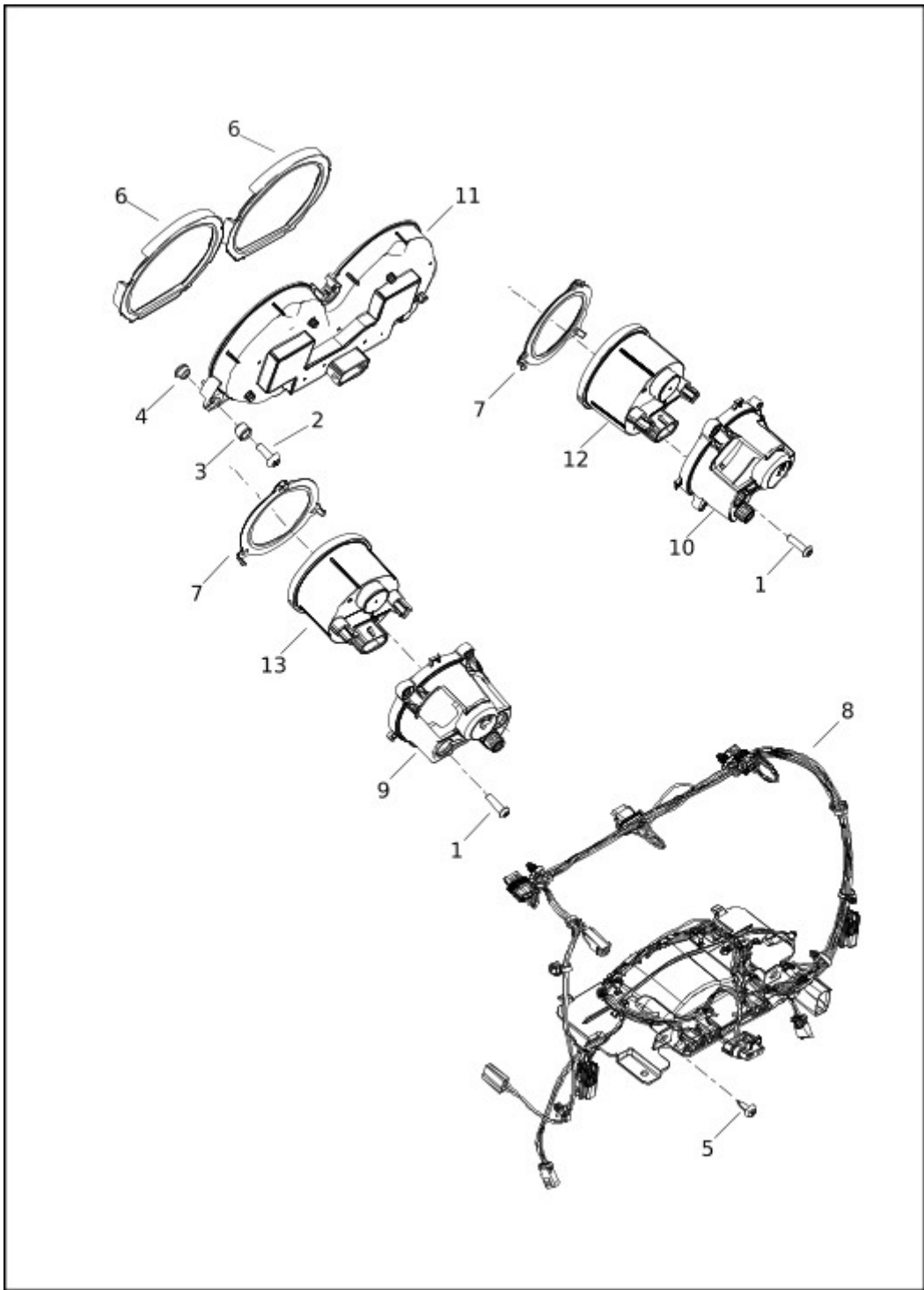
CONSOLE, FUEL TANK - FLHT, FLHTK, FLHX, FLH, FLTRK AND FLTRX (2 OF 2)



[View interactive table](#)

INDEX NO.	PART NO.	DESCRIPTION	MODEL(S)
29	14101666	INSERT, console panel (not illustrated) **RESTRICTED SALES PART**	FLH

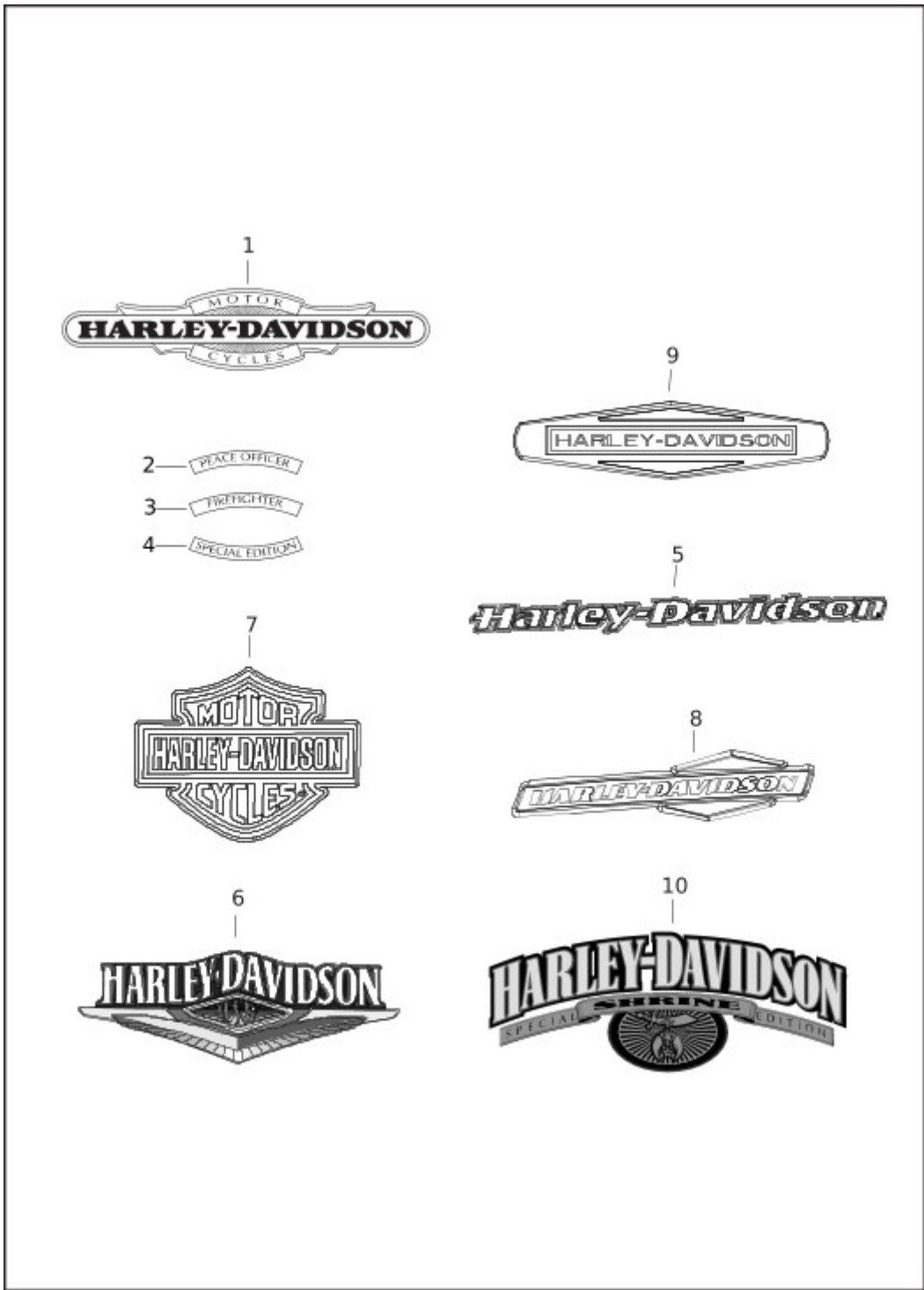
INSTRUMENTS - FLHT, FLHTK, FLHX, FLHXS AND FLH



[View interactive table](#)

INDEX NO.	PART NO.	DESCRIPTION	MODEL(S)
8	69202712	WIRING HARNESS, fairing	FLH

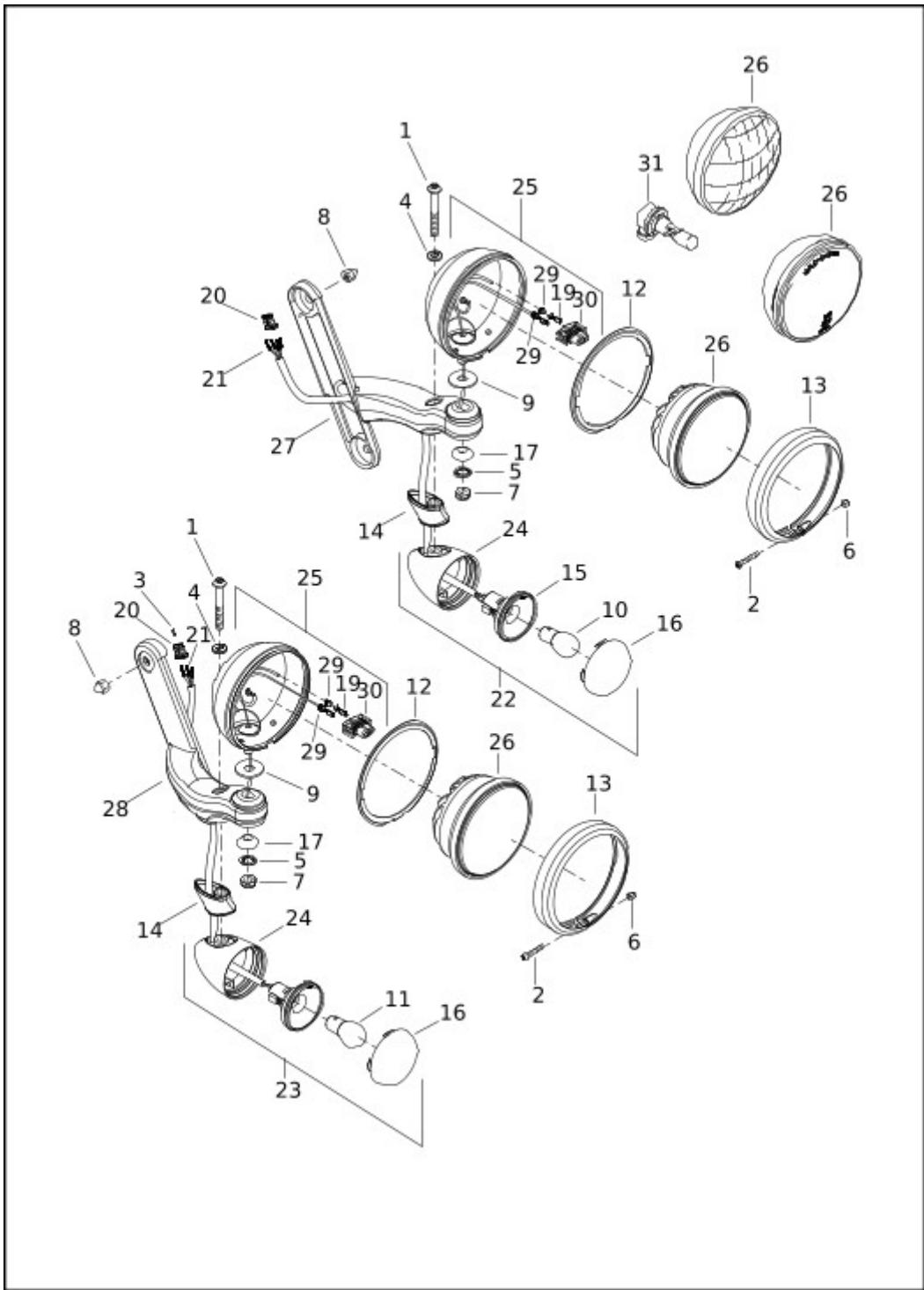
[FUEL TANK TRIM \(2 OF 2\)](#)



[View interactive table](#)

INDEX NO.	PART NO.	DESCRIPTION	MODEL(S)
9	14101509	MEDALLION (right) (for hi-fi blue/birch white, 2-tone hi-fi blue/black denim) **RESTRICTED SALES PART**	FLH
9	14101510	MEDALLION (left) (for hi-fi blue/birch white, 2-tone hi-fi blue/black denim) **RESTRICTED SALES PART**	FLH

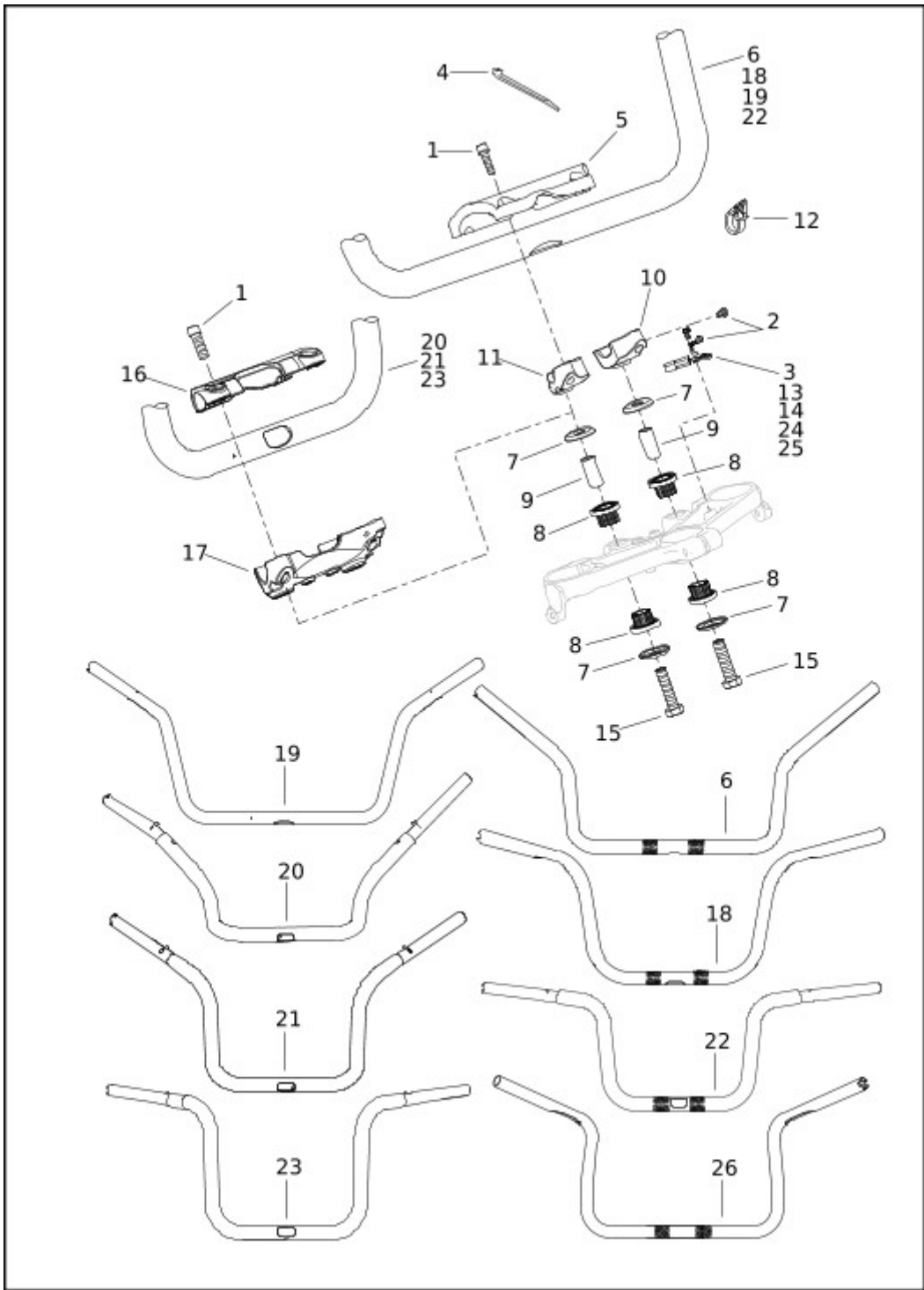
[AUXILIARY/FOG LAMPS AND TURN SIGNALS, FRONT - FLHTK AND FLH \(2 OF 2\)](#)



[View interactive table](#)

INDEX NO.	PART NO.	DESCRIPTION	MODEL(S)
31	68000056	BULB, auxiliary/fog lamp (2)	FLH

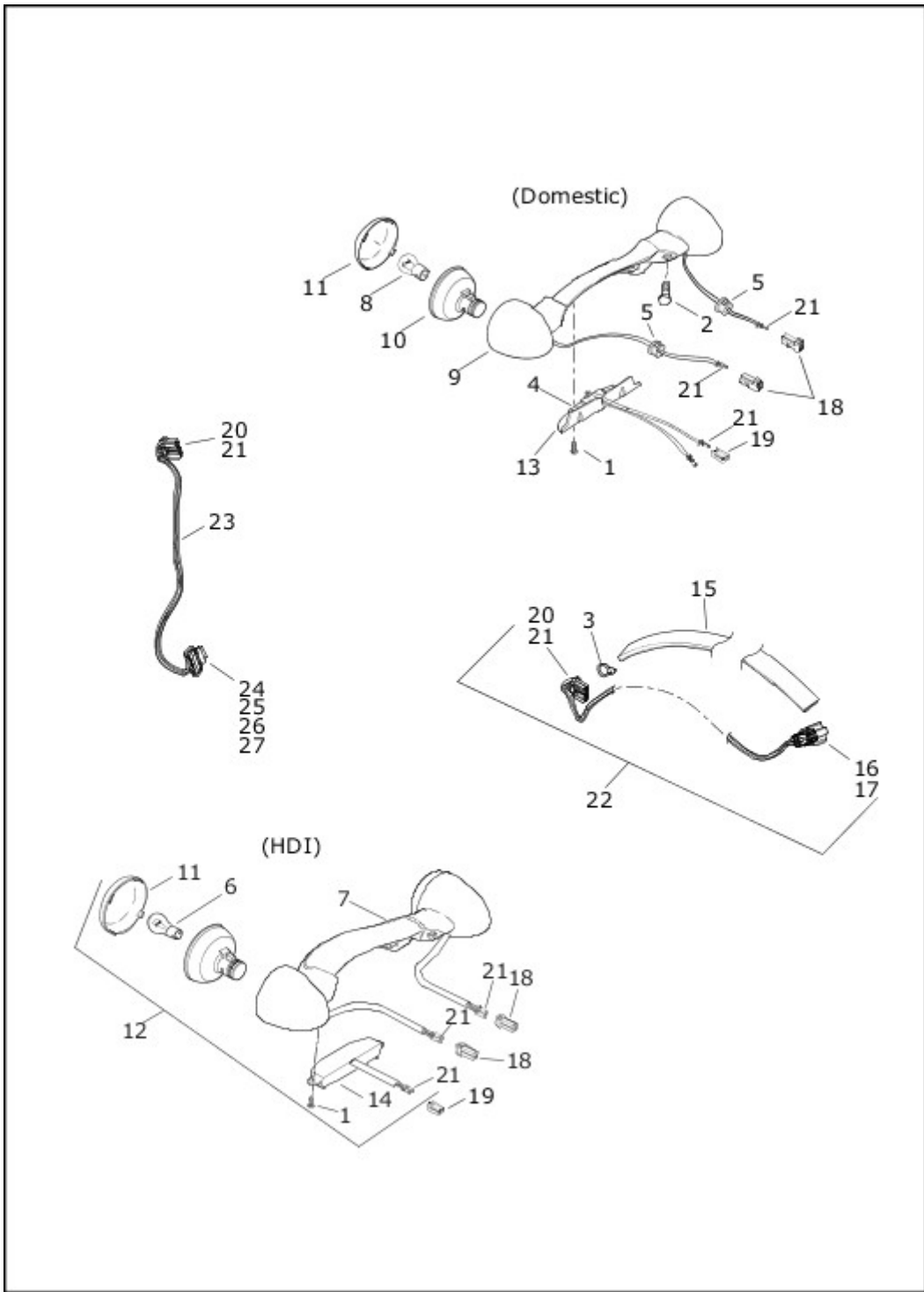
[HANDLEBAR](#)



[View interactive table](#)

INDEX NO.	PART NO.	DESCRIPTION	MODEL(S)
26	55801066A	HANDLEBAR (polished)	FLH

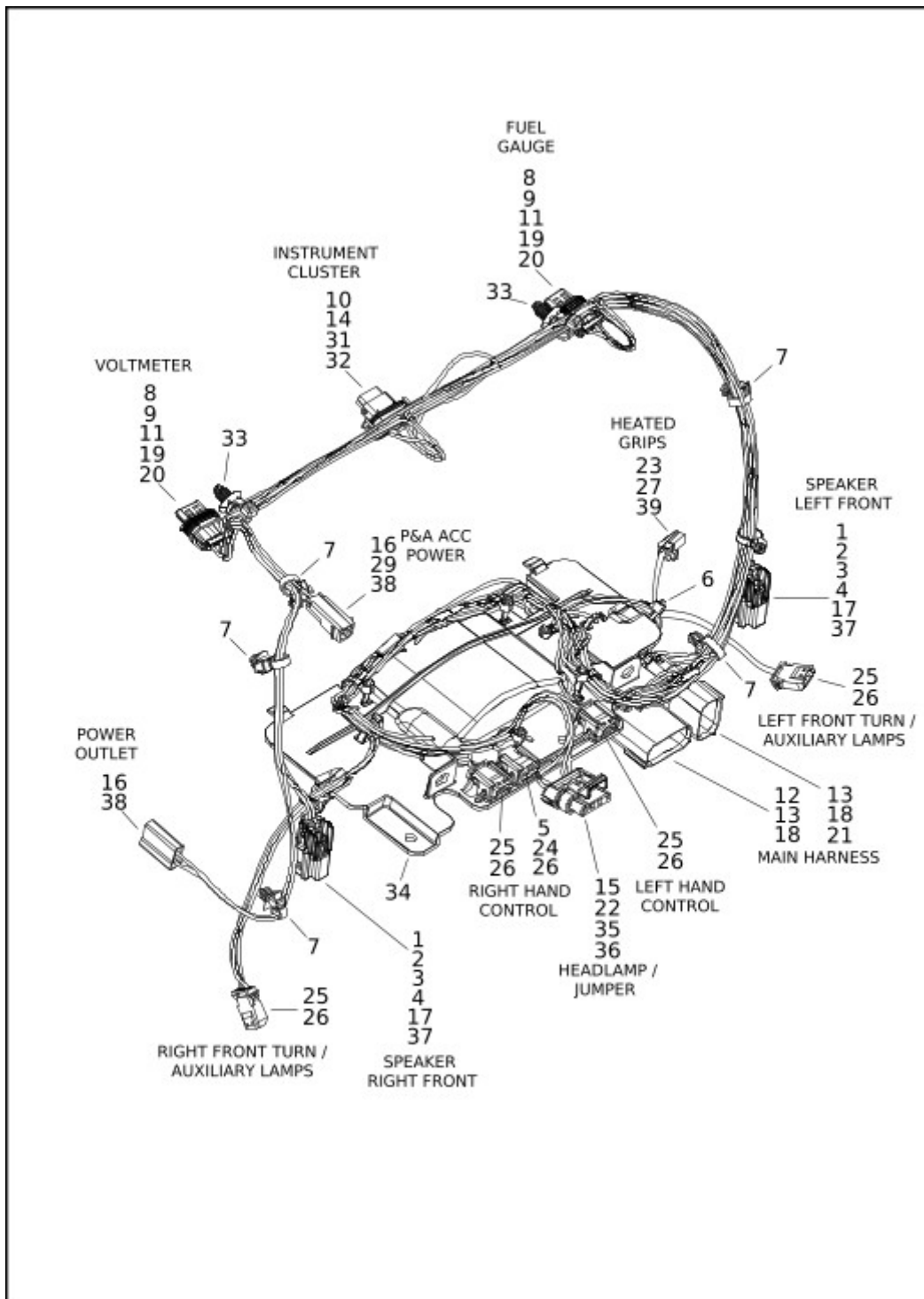
[TAIL LAMP AND TURN SIGNALS, REAR - FLHT AND FLH](#)



[View interactive table](#)

INDEX NO.	PART NO.	DESCRIPTION	MODEL(S)
22	69200128	HARNESS, with 3, 15, 16, 17, 20 and 21 (Domestic, HDI, Canada, Australia, England, Japan, HD4)	FLH

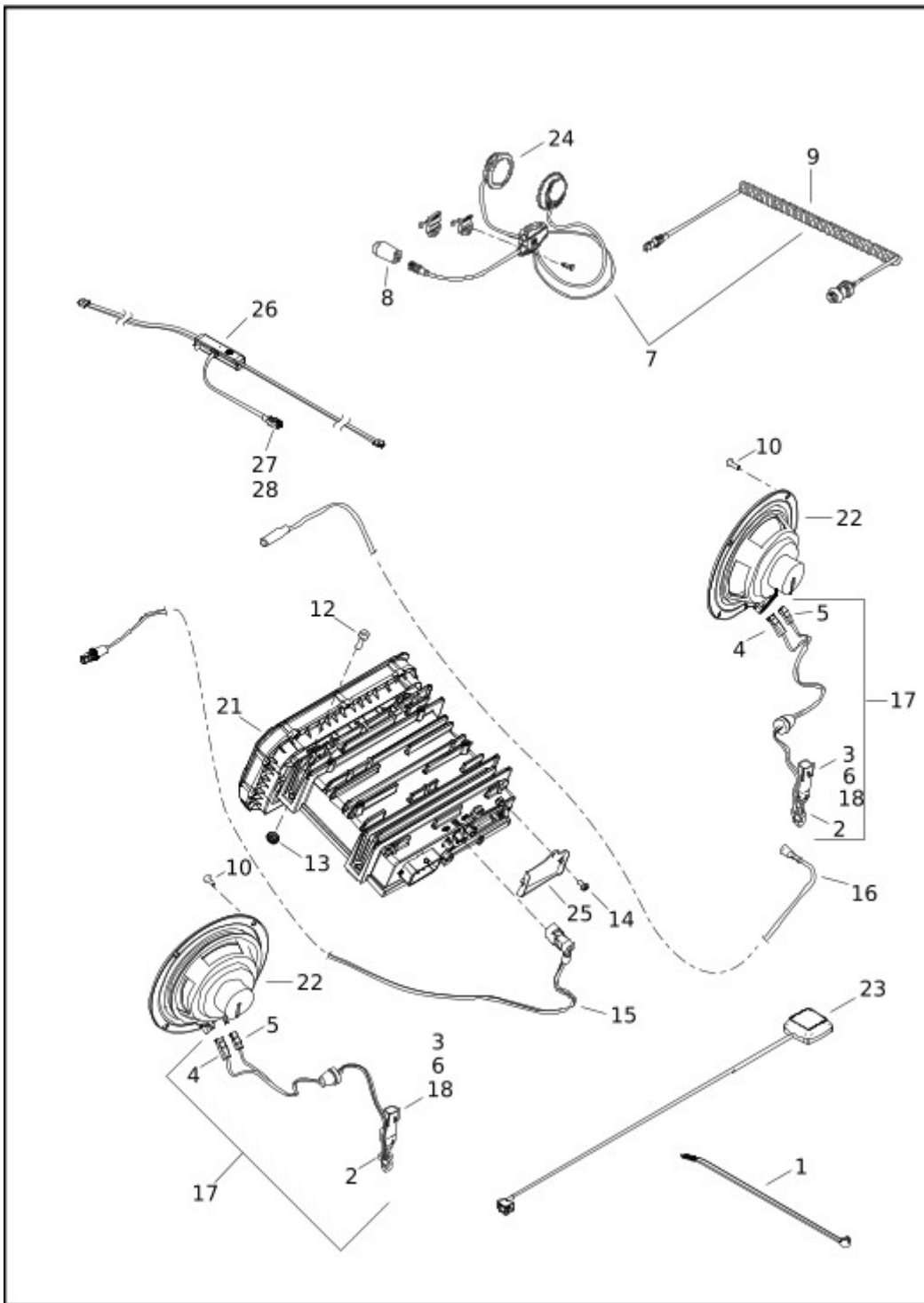
[WIRING HARNESS, FAIRING - FLHT, FLHX, FLHXS AND FLH](#)



[View interactive table](#)

INDEX NO.	PART NO.	DESCRIPTION	MODEL(S)
	69202712	WIRING HARNESS, fairing (not shown)	FLH

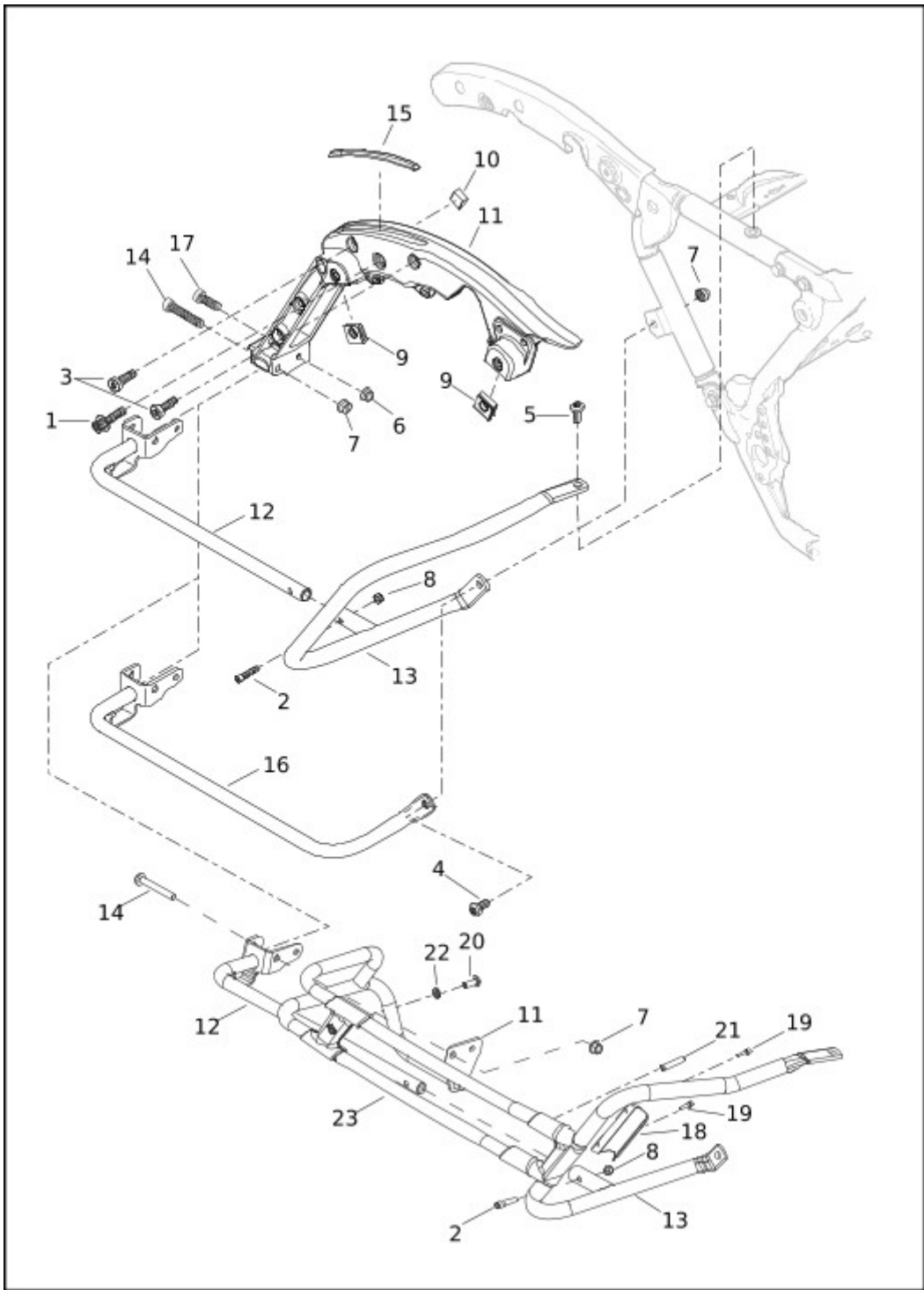
[SOUND SYSTEM - FLHTK, FLHX, FLHXS AND FLH \(2 OF 2\)](#)



[View interactive table](#)

INDEX NO.	PART NO.	DESCRIPTION	MODEL(S)
26	76000554	ANTENNA, with 72272-07 and 69200271	FLH
27	72272-07	TERMINAL, socket, 14-16 AWG (2)	FLH
28	69200271	HOUSING, two-way socket (black)	FLH

[GUARDS, SADDLEBAG](#)

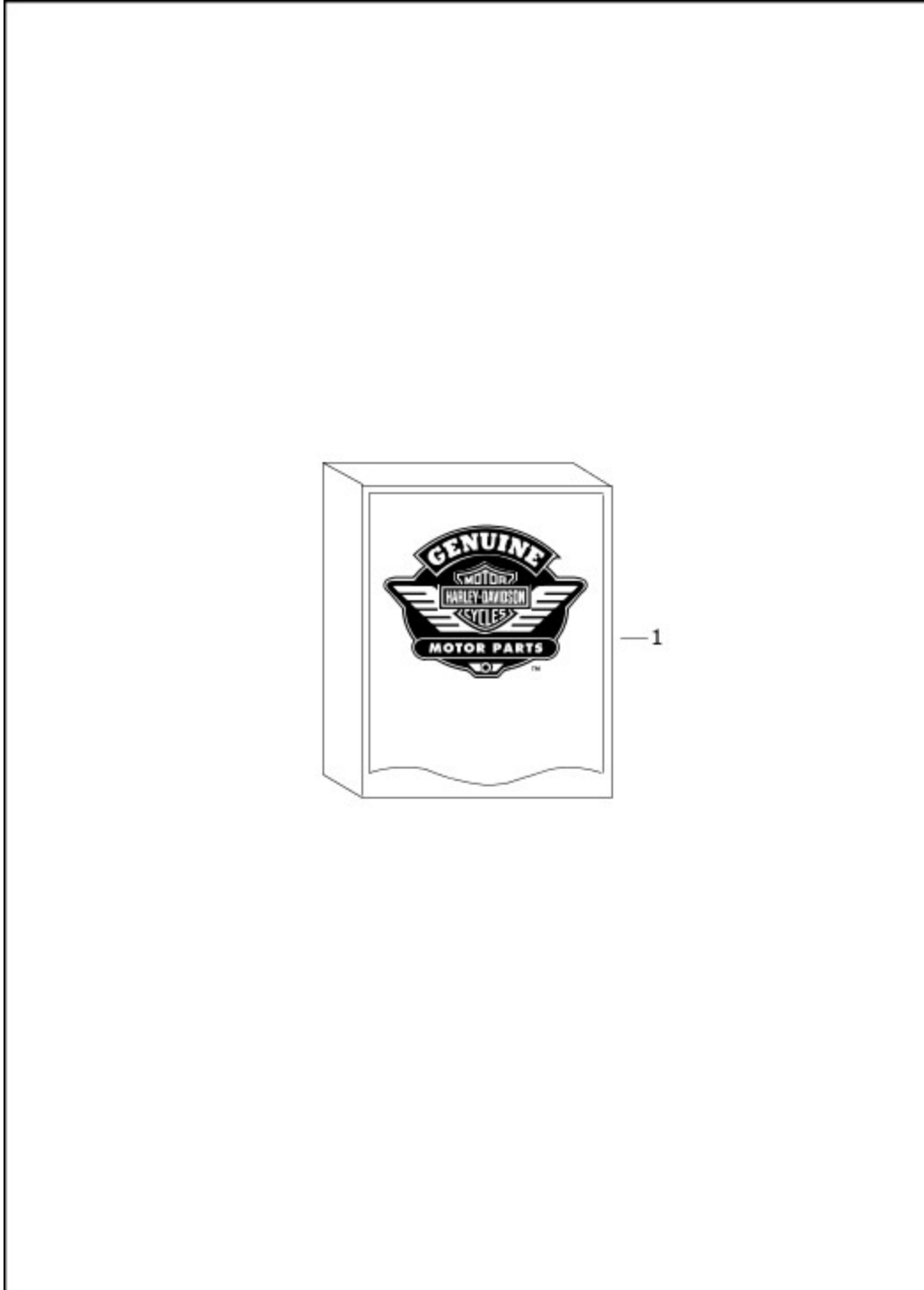


[View interactive table](#)

INDEX NO.	PART NO.	DESCRIPTION	MODEL(S)
14	10201187	SCREW (2)	ALL
18	90200861	RAIL MOUNT, rear guard (right)	FLH
18	90200863	RAIL MOUNT, rear guard (left)	FLH
19	10201186	SCREW (4)	FLH
20	10200331	SCREW (4)	FLH
21	12600093	SCREW (4)	FLH
22	7069	LOCKWASHER (4)	FLH

INDEX NO.	PART NO.	DESCRIPTION	MODEL(S)
23	90202256	GUARD, saddlebag (right)	FLH
23	90202255	GUARD, saddlebag (left)	FLH

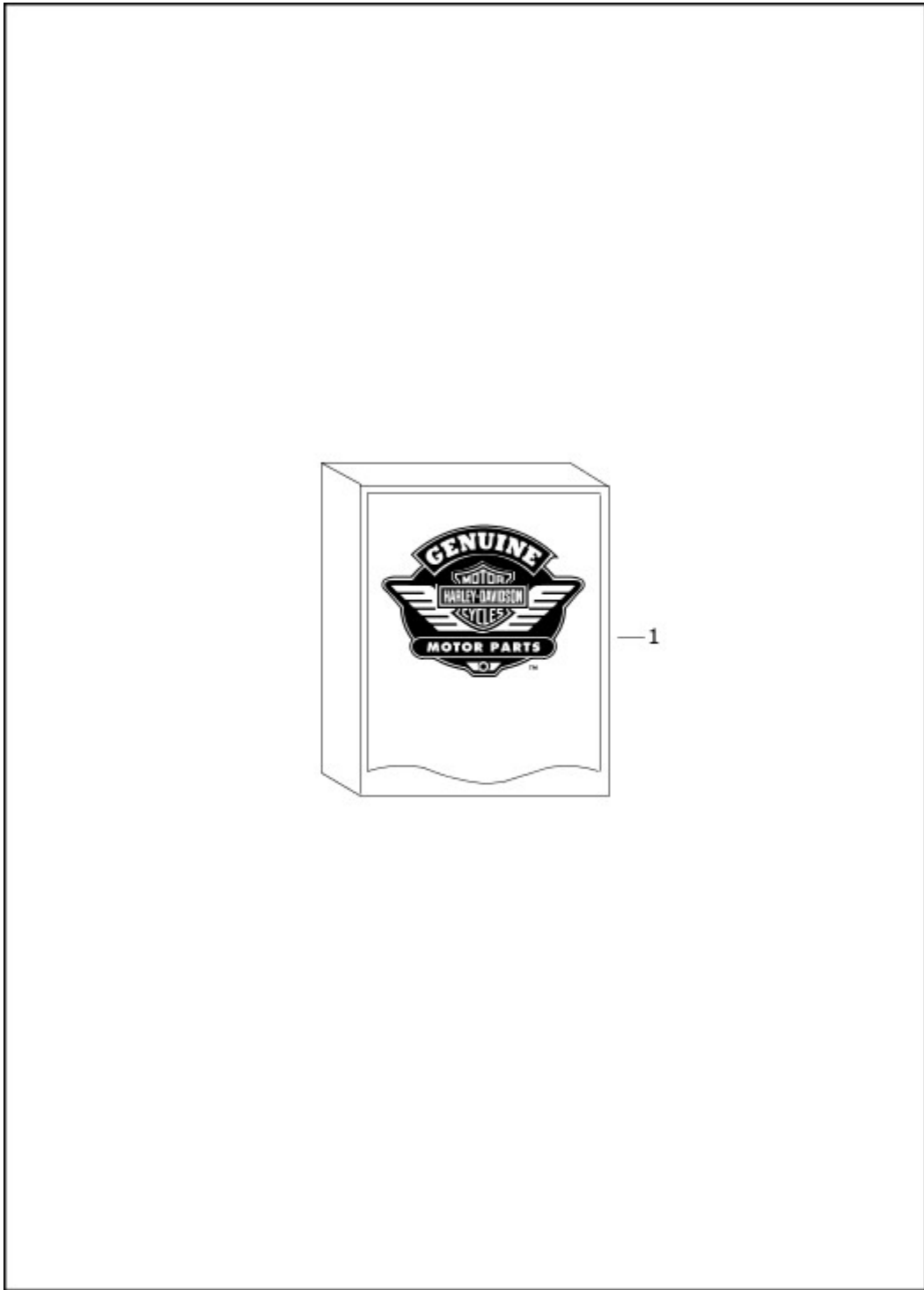
LOOSE PARTS (1 OF 3)



View interactive table

INDEX NO.	PART NO.	DESCRIPTION	MODEL(S)
1	94000916	OWNER'S MANUAL (Domestic)	ALL

LOOSE PARTS (2 OF 3)



[View interactive table](#)

INDEX NO.	PART NO.	DESCRIPTION	MODEL(S)
1	94000916FRCN	OWNER'S MANUAL (French-Canadian)	FLH
1	94000916JA	OWNER'S MANUAL (Japanese)	FLH

Numerical Index

[View interactive table](#)

10006

[RADIATOR, COOLANT HOSES AND BOTTLE - TWIN-COOLED™](#)

	<p>BRAKE LINES, FRONT - ABS</p> <p>FENDERS, REAR</p> <p>HANDLEBAR</p> <p>HANDLEBAR</p> <p>THROTTLE CONTROL</p> <p>TAIL LAMP AND TURN SIGNALS, REAR - FLHT AND FLH</p> <p>TAIL LAMP AND TURN SIGNALS, REAR - FLHR</p> <p>TAIL LAMP AND TURN SIGNALS, REAR - FLHTK, FLTRK (HDI)</p> <p>TAIL LAMP (1 OF 2)</p> <p>WIRING HARNESS, MAIN - FLHT, FLHX, FLHXS AND FLH (2 OF 10)</p> <p>WIRING HARNESS, MAIN - FLHT, FLHX, FLHXS AND FLH (6 OF 10)</p> <p>WIRING HARNESS, MAIN - FLHT, FLHX, FLHXS AND FLH (9 OF 10)</p> <p>WIRING HARNESS, MAIN - FLHTK (2 OF 10)</p> <p>WIRING HARNESS, MAIN - FLHTK (6 OF 10)</p> <p>WIRING HARNESS, MAIN - FLHTK (9 OF 10)</p> <p>WIRING HARNESS, MAIN - FLHR, FLHRXS (6 OF 10)</p> <p>WIRING HARNESS, MAIN - FLHR, FLHRXS (9 OF 10)</p> <p>WIRING HARNESS, MAIN - FLTRX, FLTRXS (1 OF 10)</p> <p>WIRING HARNESS, MAIN - FLTRX, FLTRXS (2 OF 10)</p> <p>WIRING HARNESS, MAIN - FLTRX, FLTRXS (6 OF 10)</p> <p>WIRING HARNESS, MAIN - FLTRX, FLTRXS (9 OF 10)</p> <p>WIRING HARNESS, MAIN - FLTRK (1 OF 10)</p> <p>WIRING HARNESS, MAIN - FLTRK (2 OF 10)</p> <p>WIRING HARNESS, MAIN - FLTRK (6 OF 10)</p> <p>WIRING HARNESS, MAIN - FLTRK (9 OF 10)</p> <p>WIRING HARNESS, FAIRING - FLTRK, FLTRX AND FLTRXS</p> <p>SOUND SYSTEM - FLHTK, FLHX, FLHXS AND FLH (1 OF 2)</p> <p>LAMPS AND SPEAKER HOUSINGS, ULTRA TOUR-PAK (1 OF 2)</p>
10039	<p>ALTERNATOR AND REGULATOR</p> <p>FRAME AND JIFFY STAND - FLHRXS, FLHXS, FLTRXS</p> <p>FRAME AND JIFFY STAND - FLHR, FLHT, FLHTK, FLHX, FLH, FLTRK, FLTRX (1 OF 2)</p> <p>FUEL TANK - FLHT, FLHTK, FLHX, FLH, FLTRK AND FLTRX</p> <p>FUEL TANK - FLHR, FLHRXS, FLHXS AND FLTRXS</p> <p>AUXILIARY/FOG LAMPS AND TURN SIGNALS, FRONT - FLHR</p> <p>EXHAUST SYSTEM (1 OF 2)</p>
10053	<p>FENDERS, REAR</p>
10065	<p>BRAKE CONTROL, REAR</p> <p>BRAKE LINES AND MODULE, REAR - ABS</p> <p>FENDERS, FRONT</p> <p>CONSOLE, FUEL TANK - FLHT, FLHTK, FLHX, FLH, FLTRK AND FLTRX (1 OF 2)</p> <p>CONSOLE, FUEL TANK - FLHXS, FLTRXS</p> <p>INSTRUMENTS, FUEL TANK - FLHR AND FLHRXS</p> <p>AUXILIARY/FOG LAMPS AND TURN SIGNALS, FRONT - FLHR</p> <p>WINDSHIELD, FAIRING AND HEADLAMP - FLTRK, FLTRX AND FLTRXS (1 OF 2)</p> <p>FAIRING, INNER - FLTRK, FLTRX AND FLTRXS (1 OF 2)</p> <p>WIRING HARNESS, MAIN - FLHT, FLHX, FLHXS AND FLH (1 OF 10)</p> <p>WIRING HARNESS, MAIN - FLHT, FLHX, FLHXS AND FLH (2 OF 10)</p> <p>WIRING HARNESS, MAIN - FLHT, FLHX, FLHXS AND FLH (3 OF 10)</p> <p>WIRING HARNESS, MAIN - FLHT, FLHX, FLHXS AND FLH (4 OF 10)</p> <p>WIRING HARNESS, MAIN - FLHT, FLHX, FLHXS AND FLH (6 OF 10)</p> <p>WIRING HARNESS, MAIN - FLHT, FLHX, FLHXS AND FLH (7 OF 10)</p> <p>WIRING HARNESS, MAIN - FLHT, FLHX, FLHXS AND FLH (8 OF 10)</p> <p>WIRING HARNESS, MAIN - FLHT, FLHX, FLHXS AND FLH (9 OF 10)</p> <p>WIRING HARNESS, MAIN - FLHT, FLHX, FLHXS AND FLH (10 OF 10)</p> <p>WIRING HARNESS, MAIN - FLHTK (1 OF 10)</p> <p>WIRING HARNESS, MAIN - FLHTK (2 OF 10)</p> <p>WIRING HARNESS, MAIN - FLHTK (3 OF 10)</p> <p>WIRING HARNESS, MAIN - FLHTK (4 OF 10)</p> <p>WIRING HARNESS, MAIN - FLHTK (5 OF 10)</p>

	WIRING HARNESS, MAIN - FLHTK (6 OF 10) WIRING HARNESS, MAIN - FLHTK (7 OF 10) WIRING HARNESS, MAIN - FLHTK (8 OF 10) WIRING HARNESS, MAIN - FLHTK (9 OF 10) WIRING HARNESS, MAIN - FLHTK (10 OF 10) WIRING HARNESS, MAIN - FLHR, FLHRXS (1 OF 10) WIRING HARNESS, MAIN - FLHR, FLHRXS (2 OF 10) WIRING HARNESS, MAIN - FLHR, FLHRXS (3 OF 10) WIRING HARNESS, MAIN - FLHR, FLHRXS (4 OF 10) WIRING HARNESS, MAIN - FLHR, FLHRXS (6 OF 10) WIRING HARNESS, MAIN - FLHR, FLHRXS (7 OF 10) WIRING HARNESS, MAIN - FLHR, FLHRXS (8 OF 10) WIRING HARNESS, MAIN - FLHR, FLHRXS (9 OF 10) WIRING HARNESS, MAIN - FLHR, FLHRXS (10 OF 10) WIRING HARNESS, MAIN - FLTRX, FLTRXS (2 OF 10) WIRING HARNESS, MAIN - FLTRX, FLTRXS (3 OF 10) WIRING HARNESS, MAIN - FLTRX, FLTRXS (4 OF 10) WIRING HARNESS, MAIN - FLTRX, FLTRXS (6 OF 10) WIRING HARNESS, MAIN - FLTRX, FLTRXS (7 OF 10) WIRING HARNESS, MAIN - FLTRX, FLTRXS (8 OF 10) WIRING HARNESS, MAIN - FLTRX, FLTRXS (9 OF 10) WIRING HARNESS, MAIN - FLTRX, FLTRXS (10 OF 10) WIRING HARNESS, MAIN - FLTRK (2 OF 10) WIRING HARNESS, MAIN - FLTRK (3 OF 10) WIRING HARNESS, MAIN - FLTRK (4 OF 10) WIRING HARNESS, MAIN - FLTRK (5 OF 10) WIRING HARNESS, MAIN - FLTRK (6 OF 10) WIRING HARNESS, MAIN - FLTRK (7 OF 10) WIRING HARNESS, MAIN - FLTRK (8 OF 10) WIRING HARNESS, MAIN - FLTRK (9 OF 10) WIRING HARNESS, MAIN - FLTRK (10 OF 10) WIRING HARNESS, FAIRING - FLHT, FLHX, FLHXS AND FLH WIRING HARNESS, FAIRING - FLHTK SWITCHES (1 OF 2) SOUND SYSTEM - FLHTK, FLHX, FLHXS AND FLH (1 OF 2) SOUND SYSTEM - FLTRK, FLTRX AND FLTRXS (1 OF 2) LAMPS AND SPEAKER HOUSINGS, ULTRA TOUR-PAK (1 OF 2)
10076	BRAKE CONTROL, REAR BRAKE LINES AND MODULE, REAR - ABS
10080	COOLANT DISTRIBUTION - AIR-COOLED
1009M	BRAKE LINES AND MODULE, REAR - ABS
10100062	ENGINE MOUNTS AND STABILIZER LINK
10103	CONSOLE, FUEL TANK - FLHT, FLHTK, FLHX, FLH, FLTRK AND FLTRX (1 OF 2) CONSOLE, FUEL TANK - FLHXS, FLTRXS INSTRUMENTS, FUEL TANK - FLHR AND FLHRXS
10147	RADIATOR, COOLANT HOSES AND BOTTLE - TWIN-COOLED™ WHEELS, REAR (1 OF 2) WINDSHIELD, FAIRING AND HEADLAMP - FLHT, FLHTK, FLHX, FLHXS AND FLH (1 OF 2) WIRING HARNESS, MAIN - FLHT, FLHX, FLHXS AND FLH (4 OF 10) WIRING HARNESS, MAIN - FLHT, FLHX, FLHXS AND FLH (7 OF 10) WIRING HARNESS, MAIN - FLHT, FLHX, FLHXS AND FLH (8 OF 10) WIRING HARNESS, MAIN - FLHTK (4 OF 10) WIRING HARNESS, MAIN - FLHTK (7 OF 10) WIRING HARNESS, MAIN - FLHR, FLHRXS (4 OF 10) WIRING HARNESS, MAIN - FLHR, FLHRXS (7 OF 10) WIRING HARNESS, MAIN - FLHR, FLHRXS (8 OF 10)

	WIRING HARNESS, MAIN - FLTRX, FLTRXS (4 OF 10) WIRING HARNESS, MAIN - FLTRX, FLTRXS (7 OF 10) WIRING HARNESS, MAIN - FLTRX, FLTRXS (8 OF 10) WIRING HARNESS, MAIN - FLTRK (4 OF 10) WIRING HARNESS, MAIN - FLTRK (7 OF 10)
10177	ALTERNATOR AND REGULATOR ELECTRONIC CONTROL MODULE (ECM) AND COIL SENSORS AND SWITCHES, ENGINE FRAME AND JIFFY STAND - FLHRXS, FLHXS, FLTRXS FRAME AND JIFFY STAND - FLHR, FLHT, FLHTK, FLHX, FLH, FLTRK, FLTRX (1 OF 2) FAIRING, INNER - FLTRK, FLTRX AND FLTRXS (1 OF 2) EXHAUST SYSTEM (1 OF 2) WIRING HARNESS, MAIN - FLHT, FLHX, FLHXS AND FLH (2 OF 10) WIRING HARNESS, MAIN - FLHT, FLHX, FLHXS AND FLH (3 OF 10) WIRING HARNESS, MAIN - FLHT, FLHX, FLHXS AND FLH (7 OF 10) WIRING HARNESS, MAIN - FLHT, FLHX, FLHXS AND FLH (8 OF 10) WIRING HARNESS, MAIN - FLHTK (1 OF 10) WIRING HARNESS, MAIN - FLHTK (2 OF 10) WIRING HARNESS, MAIN - FLHTK (3 OF 10) WIRING HARNESS, MAIN - FLHTK (7 OF 10) WIRING HARNESS, MAIN - FLHTK (8 OF 10) WIRING HARNESS, MAIN - FLHR, FLHRXS (3 OF 10) WIRING HARNESS, MAIN - FLHR, FLHRXS (7 OF 10) WIRING HARNESS, MAIN - FLHR, FLHRXS (8 OF 10) WIRING HARNESS, MAIN - FLTRX, FLTRXS (2 OF 10) WIRING HARNESS, MAIN - FLTRX, FLTRXS (3 OF 10) WIRING HARNESS, MAIN - FLTRX, FLTRXS (7 OF 10) WIRING HARNESS, MAIN - FLTRX, FLTRXS (8 OF 10) WIRING HARNESS, MAIN - FLTRK (2 OF 10) WIRING HARNESS, MAIN - FLTRK (3 OF 10) WIRING HARNESS, MAIN - FLTRK (7 OF 10) WIRING HARNESS, MAIN - FLTRK (8 OF 10) WIRING HARNESS, FAIRING - FLHT, FLHX, FLHXS AND FLH WIRING HARNESS, FAIRING - FLHTK WIRING HARNESS, FAIRING - FLTRK, FLTRX AND FLTRXS
10183	TAIL LAMP (1 OF 2)
10200042	FORK BRACKETS, FRONT
10200052	FAIRING, LOWERS, TWIN-COOLED™ - FLHTK, FLTRK
10200059	WINDSHIELD, FAIRING AND HEADLAMP - FLHT, FLHTK, FLHX, FLHXS AND FLH (1 OF 2)
10200060	WINDSHIELD, FAIRING AND HEADLAMP - FLHT, FLHTK, FLHX, FLHXS AND FLH (1 OF 2)
10200061	TOUR-PAK (BOTTOM) TOUR-PAK (COVER)
10200062	TOUR-PAK (BOTTOM) TOUR-PAK (COVER) SADDLEBAGS (1 OF 2)
10200063	SADDLEBAGS (1 OF 2)
10200064	SADDLEBAGS (1 OF 2)
10200065	SADDLEBAGS (1 OF 2)
10200103	SADDLEBAGS (1 OF 2)

10200105	LAMPS AND SPEAKER HOUSINGS, ULTRA TOUR-PAK (1 OF 2)
10200112	WINDSHIELD, FAIRING AND HEADLAMP - FLHT, FLHTK, FLHX, FLHXS AND FLH (1 OF 2)
10200120	FAIRING, INNER - FLTRK, FLTRX AND FLTRXS (1 OF 2)
10200133	LAMPS AND SPEAKER HOUSINGS, ULTRA TOUR-PAK (1 OF 2)
10200134	FAIRING, INNER - FLHT, FLHTK, FLHX, FLHXS AND FLH (3 OF 3) FAIRING, INNER - FLTRK, FLTRX AND FLTRXS (1 OF 2)
10200135	SEAT- FLH
10200141	FAIRING, INNER - FLHT, FLHTK, FLHX, FLHXS AND FLH (1 OF 3) FAIRING, INNER - FLHT, FLHTK, FLHX, FLHXS AND FLH (3 OF 3)
10200142	FAIRING, INNER - FLHT, FLHTK, FLHX, FLHXS AND FLH (3 OF 3)
10200147	INSTRUMENTS - FLHT, FLHTK, FLHX, FLHXS AND FLH INSTRUMENTS - FLTRK, FLTRX AND FLTRXS
10200154	TOUR-PAK (COVER)
10200155	FRAME AND FORK, REAR AND TOUR-PAK SUPPORT
10200156	NACELLE AND HEADLAMP - FLHR AND FLHRXS (1 OF 2) WINDSHIELD, FAIRING AND HEADLAMP - FLHT, FLHTK, FLHX, FLHXS AND FLH (1 OF 2)
10200205	INSTRUMENT HOUSING - FLTRK, FLTRX AND FLTRXS FAIRING, INNER - FLHT, FLHTK, FLHX, FLHXS AND FLH (3 OF 3) SOUND SYSTEM - FLHTK, FLHX, FLHXS AND FLH (1 OF 2)
10200217	FRAME AND FORK, REAR AND TOUR-PAK SUPPORT GUARDS, SADDLEBAG
10200223	BRAKE LINES, FRONT - ABS FORK BRACKETS, FRONT
10200257	WINDSHIELD, FAIRING AND HEADLAMP - FLTRK, FLTRX AND FLTRXS (1 OF 2)
10200258	ROCKER ARM ASSEMBLY AND PUSHRODS
10200268	FENDERS, FRONT
10200303	CYLINDERS, HEADS AND VALVES
10200308	ROCKER ARM ASSEMBLY AND PUSHRODS
10200331	GUARDS, SADDLEBAG
10200343	CRANKCASE
10200349	FAIRING, INNER - FLTRK, FLTRX AND FLTRXS (1 OF 2)
10200350	SHIFTER, GEAR WINDSHIELD, FAIRING AND HEADLAMP - FLTRK, FLTRX AND FLTRXS (1 OF 2)
10200365	WINDSHIELD, FAIRING AND HEADLAMP - FLTRK, FLTRX AND FLTRXS (1 OF 2)
10200373	INDUCTION MODULE, FUEL

10200393	ENGINE MOUNTS AND STABILIZER LINK
10200400	WINDSHIELD, FAIRING AND HEADLAMP - FLTRK, FLTRX AND FLTRXS (2 OF 2) LOOSE PARTS (3 OF 3)
10200408A	ENGINE MOUNTS AND STABILIZER LINK
10200414	COOLANT DISTRIBUTION - TWIN-COOLED™ COOLANT DISTRIBUTION - AIR-COOLED
10200422	COOLANT DISTRIBUTION - AIR-COOLED ALTERNATOR AND REGULATOR
10200429	FOOTBOARDS, OPERATOR
10200442	CONSOLE, FUEL TANK - FLHT, FLHTK, FLHX, FLH, FLTRK AND FLTRX (2 OF 2)
10200446	ROCKER ARM ASSEMBLY AND PUSHRODS COOLING SYSTEM, ENGINE, TWIN-COOLED™ COOLING SYSTEM, ENGINE, AIR-COOLED
10200463	ENGINE MOUNTS AND STABILIZER LINK
10200503	ROCKER ARM ASSEMBLY AND PUSHRODS
10200533	SADDLEBAGS (1 OF 2)
10200546	FRAME AND JIFFY STAND - FLHRXS, FLHXS, FLTRXS FRAME AND JIFFY STAND - FLHR, FLHT, FLHTK, FLHX, FLH, FLTRK, FLTRX (2 OF 2)
10200569	EXHAUST SYSTEM (1 OF 2)
10200706	FORK BRACKETS, FRONT
10201023	CONSOLE, FUEL TANK - FLHXS, FLTRXS
10201167	WHEELS, FRONT (1 OF 2) WHEELS, REAR (1 OF 2)
10201186	GUARDS, SADDLEBAG
10201187	GUARDS, SADDLEBAG
10201188	FENDERS, REAR GUARDS, SADDLEBAG
10264	CLUTCH CONTROL FRAME AND JIFFY STAND - FLHRXS, FLHXS, FLTRXS FRAME AND JIFFY STAND - FLHR, FLHT, FLHTK, FLHX, FLH, FLTRK, FLTRX (1 OF 2)
10334	CONSOLE, FUEL TANK - FLHT, FLHTK, FLHX, FLH, FLTRK AND FLTRX (1 OF 2)
10340B	BRAKE LINES AND MODULE, REAR - ABS
10344	COOLANT DISTRIBUTION - TWIN-COOLED™ COOLANT DISTRIBUTION - AIR-COOLED RADIATOR, COOLANT HOSES AND BOTTLE - TWIN-COOLED™
10395	FUEL PUMP - FLHT, FLHTK, FLHX, FLH, FLTRK AND FLTRX FUEL PUMP - FLHR, FLHRXS, FLHXS AND FLTRXS

10396	FUEL TANK - FLHT, FLHTK, FLHX, FLH, FLTRK AND FLTRX FUEL TANK - FLHR, FLHRXS, FLHXS AND FLTRXS
10400034	SADDLEBAGS (1 OF 2) GUARDS, SADDLEBAG
10500008	SWITCHES, HANDLEBAR, LEFT - EXCEPT FLHRXS SWITCHES, HANDLEBAR, LEFT - FLHRXS SWITCHES, HANDLEBAR, RIGHT - EXCEPT FLHRXS SWITCHES, HANDLEBAR, RIGHT - FLHRXS
10500015	FENDERS, FRONT
10500017	FAIRING, INNER - FLHT, FLHTK, FLHX, FLHXS AND FLH(2 OF 3)
10500022	FORK BRACKETS, FRONT
10500031	BELT, CHAIN AND SPROCKETS
10500036	FORK BRACKETS, FRONT
10500069	ROCKER ARM ASSEMBLY AND PUSHRODS
10500184	FENDERS, FRONT
10600007	BRAKE LINES, FRONT - ABS BRAKE CONTROL, REAR BRAKE LINES AND MODULE, REAR - ABS
1062	PRIMARY HOUSING BRAKE LINES AND MODULE, REAR - ABS FAIRING, INNER - FLTRK, FLTRX AND FLTRXS (1 OF 2)
10800023	RADIATOR, COOLANT HOSES AND BOTTLE - TWIN-COOLED™
10800025A	FRAME AND JIFFY STAND - FLHRXS, FLHXS, FLTRXS FRAME AND JIFFY STAND - FLHR, FLHT, FLHTK, FLHX, FLH, FLTRK, FLTRX (2 OF 2)
10800028	BRAKE CONTROL, REAR BRAKE LINES AND MODULE, REAR - ABS
10800052	COOLING SYSTEM, ENGINE, TWIN-COOLED™ COOLING SYSTEM, ENGINE, AIR-COOLED COOLANT DISTRIBUTION - TWIN-COOLED™ COOLANT DISTRIBUTION - AIR-COOLED RADIATOR, COOLANT HOSES AND BOTTLE - TWIN-COOLED™
10800078	RADIATOR, COOLANT HOSES AND BOTTLE - TWIN-COOLED™
10800108	COOLING SYSTEM, ENGINE, TWIN-COOLED™ COOLING SYSTEM, ENGINE, AIR-COOLED
10800109	COOLING SYSTEM, ENGINE, TWIN-COOLED™ COOLING SYSTEM, ENGINE, AIR-COOLED COOLING SYSTEM, ENGINE, AIR-COOLED
10800111	COOLING SYSTEM, ENGINE, TWIN-COOLED™ COOLING SYSTEM, ENGINE, AIR-COOLED
10900005	FAIRING, INNER - FLHT, FLHTK, FLHX, FLHXS AND FLH (1 OF 3) FAIRING, INNER - FLHT, FLHTK, FLHX, FLHXS AND FLH (3 OF 3)

10900015A	CYLINDERS, HEADS AND VALVES EXHAUST SYSTEM (1 OF 2)
10900054	SEAT- FLH
10991A	TRANSMISSION GEARS
10998	TRANSMISSION BEARINGS AND COVERS
11000010	TRANSMISSION BEARINGS AND COVERS
11000050	BRAKE CONTROL, REAR
11000101	SHIFTER, GEAR TRANSMISSION BEARINGS AND COVERS
11000134	CRANKCASE
11000139	PRIMARY HOUSING
11081A	TRANSMISSION GEARS
11082A	TRANSMISSION GEARS
11096	CLUTCH
11100038	FAIRING, INNER - FLHT, FLHTK, FLHX, FLHXS AND FLH (1 OF 3)
11100050	FAIRING, INNER - FLHT, FLHTK, FLHX, FLHXS AND FLH (1 OF 3)
11100051	FAIRING, INNER - FLHT, FLHTK, FLHX, FLHXS AND FLH (1 OF 3)
11100057	FAIRING, INNER - FLHT, FLHTK, FLHX, FLHXS AND FLH (1 OF 3)
11100066	WINDSHIELD, FAIRING AND HEADLAMP - FLTRK, FLTRX AND FLTRXS (1 OF 2)
11100068	FRAME AND FORK, REAR AND TOUR-PAK SUPPORT GUARDS, SADDLEBAG
11100115	WIRING HARNESS, MAIN - FLHT, FLHX, FLHXS AND FLH (9 OF 10) WIRING HARNESS, MAIN - FLHTK (9 OF 10) WIRING HARNESS, MAIN - FLHR, FLHRXS (9 OF 10) WIRING HARNESS, MAIN - FLTRX, FLTRXS (9 OF 10) WIRING HARNESS, MAIN - FLTRK (9 OF 10)
11100152	INSTRUMENT HOUSING - FLTRK, FLTRX AND FLTRXS
11100195	LICENSE PLATE BRACKETS
11105	TRANSMISSION HOUSING, COVER AND OIL PAN PRIMARY HOUSING
11120	TRANSMISSION HOUSING, COVER AND OIL PAN
11132A	ROCKER ARM ASSEMBLY AND PUSHRODS TRANSMISSION BEARINGS AND COVERS
11145A	ROCKER ARM ASSEMBLY AND PUSHRODS
11150	SHIFTER, GEAR

11161	TRANSMISSION BEARINGS AND COVERS
11177A	PISTONS AND FLYWHEEL ASSEMBLY - Milwaukee-eight™ 107 PISTONS AND FLYWHEEL ASSEMBLY - Milwaukee-eight™ 114
11179	TRANSMISSION BEARINGS AND COVERS
11201	TRANSMISSION GEARS
11207A	TRANSMISSION GEARS
11293	ROCKER ARM ASSEMBLY AND PUSHRODS CAMSHAFTS AND CAMSHAFT COVER (1 OF 2)
11304	FOOTBOARDS AND FOOTPEGS, PASSENGER
11323A	FUEL TANK - FLHT, FLHTK, FLHX, FLH, FLTRK AND FLTRX FUEL TANK - FLHR, FLHRXS, FLHXS AND FLTRXS
11389	SHIFTER, GEAR
11437	FENDERS, FRONT
11519	FAIRING, LOWERS, TWIN-COOLED™ - FLHTK, FLTRK
11543	ANTENNAS
11575	SHIFTER, GEAR
11599A	TRANSMISSION GEARS
11600001	BRAKE LINES, FRONT - ABS BRAKE LINES AND MODULE, REAR - ABS
11600009	BRAKE LINES, FRONT - ABS BRAKE CONTROL, REAR BRAKE LINES AND MODULE, REAR - ABS
11615	CLUTCH CONTROL
11650	COVERS AND AIR DEFLECTORS
11668	FAIRING, INNER - FLTRK, FLTRX AND FLTRXS (1 OF 2)
11686	FUEL PUMP - FLHT, FLHTK, FLHX, FLH, FLTRK AND FLTRX FUEL PUMP - FLHR, FLHRXS, FLHXS AND FLTRXS
11687	FENDERS, REAR
11692	COOLANT DISTRIBUTION - TWIN-COOLED™ COOLANT DISTRIBUTION - AIR-COOLED
11779	FRAME AND FORK, REAR AND TOUR-PAK SUPPORT WIRING HARNESS, MAIN - FLHT, FLHX, FLHXS AND FLH (6 OF 10) WIRING HARNESS, MAIN - FLHTK (6 OF 10) WIRING HARNESS, MAIN - FLHR, FLHRXS (6 OF 10) WIRING HARNESS, MAIN - FLTRX, FLTRXS (6 OF 10) WIRING HARNESS, MAIN - FLTRK (6 OF 10)
11843	BELT, CHAIN AND SPROCKETS WHEELS, REAR (1 OF 2)

11848	WHEELS, REAR (1 OF 2)
11891	FENDERS, REAR
11900010	CRANKCASE SENSORS AND SWITCHES, ENGINE
11900021	BRAKE CONTROL, REAR
11900090	COOLING SYSTEM, ENGINE, TWIN-COOLED™ COOLING SYSTEM, ENGINE, AIR-COOLED
11900092	COOLING SYSTEM, ENGINE, AIR-COOLED TRANSMISSION BEARINGS AND COVERS
11900103	CAMSHAFTS AND CAMSHAFT COVER (1 OF 2)
11900116	ROCKER ARM ASSEMBLY AND PUSHRODS
11900155	WHEELS, FRONT (1 OF 2) WHEELS, REAR (1 OF 2)
11900172	SENSORS AND SWITCHES, ENGINE
11900180	SENSORS AND SWITCHES, ENGINE
11902	BRAKE CONTROL, REAR
11936	EXHAUST SYSTEM (1 OF 2)
12052A	PRIMARY HOUSING
12074	TRANSMISSION BEARINGS AND COVERS
12077	TRANSMISSION GEARS
12100007	BRAKE LINES AND MODULE, REAR - ABS
12100017	LAMPS AND SPEAKER HOUSINGS, ULTRA TOUR-PAK (1 OF 2)
12100018	LAMPS AND SPEAKER HOUSINGS, ULTRA TOUR-PAK (1 OF 2)
12100020	INSTRUMENTS - FLHT, FLHTK, FLHX, FLHXS AND FLH INSTRUMENTS - FLTRK, FLTRX AND FLTRXS
12100023	LAMPS AND SPEAKER HOUSINGS, ULTRA TOUR-PAK (1 OF 2)
12100034	FAIRING, INNER - FLHT, FLHTK, FLHX, FLHXS AND FLH (1 OF 3)
12100043	TURN SIGNALS, FRONT - FLHRXS
12100069	INDUCTION MODULE, FUEL
12100113	COOLANT DISTRIBUTION - AIR-COOLED
12100154	FAIRING, INNER - FLHT, FLHTK, FLHX, FLHXS AND FLH(2 OF 3)
12100162	FRAME AND JIFFY STAND - FLHRXS, FLHXS, FLTRXS
12102	BRAKE CONTROL, REAR

12200025	INSTRUMENT HOUSING - FLTRK, FLTRX AND FLTRXS FAIRING, LOWERS, TWIN-COOLED™ - FLHTK, FLTRK SOUND SYSTEM - FLTRK, FLTRX AND FLTRXS (1 OF 2)
12200064	FAIRING, INNER - FLHT, FLHTK, FLHX, FLHXS AND FLH (1 OF 3)
12200092	FENDERS, FRONT
12200144	TRANSMISSION GEARS
12200170	ELECTRONIC CONTROL MODULE (ECM) AND COIL
12200221	FRAME AND JIFFY STAND - FLHRXS, FLHXS, FLTRXS FRAME AND JIFFY STAND - FLHR, FLHT, FLHTK, FLHX, FLH, FLTRK, FLTRX (2 OF 2)
12200226	CLUTCH CONTROL FRAME AND JIFFY STAND - FLHRXS, FLHXS, FLTRXS FRAME AND JIFFY STAND - FLHR, FLHT, FLHTK, FLHX, FLH, FLTRK, FLTRX (2 OF 2)
12400034	INSTRUMENTS - FLHT, FLHTK, FLHX, FLHXS AND FLH INSTRUMENTS - FLTRK, FLTRX AND FLTRXS
12400099	CRANKCASE
12400100	LICENSE PLATE BRACKETS
12500002	WIRING HARNESS, MAIN - FLTRX, FLTRXS (1 OF 10) WIRING HARNESS, MAIN - FLTRX, FLTRXS (2 OF 10) WIRING HARNESS, MAIN - FLTRK (1 OF 10) WIRING HARNESS, MAIN - FLTRK (2 OF 10) WIRING HARNESS, FAIRING - FLHT, FLHX, FLHXS AND FLH WIRING HARNESS, FAIRING - FLHTK WIRING HARNESS, FAIRING - FLTRK, FLTRX AND FLTRXS
12500014	WIRING HARNESS, MAIN - FLHT, FLHX, FLHXS AND FLH (8 OF 10) WIRING HARNESS, MAIN - FLHTK (8 OF 10) WIRING HARNESS, MAIN - FLHR, FLHRXS (8 OF 10) WIRING HARNESS, MAIN - FLTRX, FLTRXS (8 OF 10) WIRING HARNESS, MAIN - FLTRK (8 OF 10)
12500018	WIRING HARNESS, MAIN - FLHT, FLHX, FLHXS AND FLH (8 OF 10) WIRING HARNESS, MAIN - FLHTK (8 OF 10) WIRING HARNESS, MAIN - FLHR, FLHRXS (8 OF 10) WIRING HARNESS, MAIN - FLTRX, FLTRXS (8 OF 10) WIRING HARNESS, MAIN - FLTRK (8 OF 10)
12600016	COOLANT DISTRIBUTION - AIR-COOLED
12600032	HANDLEBAR
12600049	FAIRING, LOWERS, TWIN-COOLED™ - FLHTK, FLTRK
12600067	FRAME AND JIFFY STAND - FLHRXS, FLHXS, FLTRXS FRAME AND JIFFY STAND - FLHR, FLHT, FLHTK, FLHX, FLH, FLTRK, FLTRX (2 OF 2) INSTRUMENTS - FLHT, FLHTK, FLHX, FLHXS AND FLH
12600070	FAIRING, INNER - FLHT, FLHTK, FLHX, FLHXS AND FLH(2 OF 3) SOUND SYSTEM - FLHTK, FLHX, FLHXS AND FLH (1 OF 2) SOUND SYSTEM - FLTRK, FLTRX AND FLTRXS (1 OF 2)
12600071	FAIRING, INNER - FLHT, FLHTK, FLHX, FLHXS AND FLH(2 OF 3)

	SOUND SYSTEM - FLHTK, FLHX, FLHXS AND FLH (1 OF 2) SOUND SYSTEM - FLTRK, FLTRX AND FLTRXS (1 OF 2)
12600073	SOUND SYSTEM - FLHTK, FLHX, FLHXS AND FLH (1 OF 2) SOUND SYSTEM - FLTRK, FLTRX AND FLTRXS (1 OF 2)
12600093	GUARDS, SADDLEBAG
12600116	WINDSHIELD, FAIRING AND HEADLAMP - FLTRK, FLTRX AND FLTRXS (2 OF 2)
12600197	FRAME AND JIFFY STAND - FLHRXS, FLHXS, FLTRXS FRAME AND JIFFY STAND - FLHR, FLHT, FLHTK, FLHX, FLH, FLTRK, FLTRX (2 OF 2)
12600309	CLUTCH CONTROL
12700090	COOLANT DISTRIBUTION - AIR-COOLED
12700091A	COOLANT DISTRIBUTION - TWIN-COOLED™
1332	AUXILIARY/FOG LAMPS AND TURN SIGNALS, FRONT - FLHTK AND FLH (1 OF 2)
14000827	FRAME AND JIFFY STAND - FLHRXS, FLHXS, FLTRXS FRAME AND JIFFY STAND - FLHR, FLHT, FLHTK, FLHX, FLH, FLTRK, FLTRX (2 OF 2) LABELS
14001131	AIR CLEANER - FLHR, FLHT, FLHTK, FLHX, FLTRK, FLTRX
14001734	LABELS
14001736	LABELS
14001737	LABELS
14001738	LABELS
14001739	BATTERY LABELS
14001773	LABELS
14001799	AIR CLEANER - FLHR, FLHT, FLHTK, FLHX, FLTRK, FLTRX
14001799A	LABELS
14001800	LABELS
14001859	LABELS
14001903	LABELS
14002210	LABELS
14002211	LABELS
14002215	LABELS
14002216	LABELS
14002217	LABELS
14002218	BATTERY

14002621	LABELS
14002622	LABELS
14002626	LABELS
14002628	LABELS
14002629	LABELS
14100079	FUEL TANK TRIM (1 OF 2)
14100080	FUEL TANK TRIM (1 OF 2)
14100085	INTERCOM CONTROL POD
14100087	INSTRUMENTS, FUEL TANK - FLHR AND FLHRXS
14100158	SWITCHES (1 OF 2)
14100230	FENDERS, FRONT
14100615	CONSOLE, FUEL TANK - FLHT, FLHTK, FLHX, FLH, FLTRK AND FLTRX (2 OF 2)
14100764	HORN
14100855	CONSOLE, FUEL TANK - FLHT, FLHTK, FLHX, FLH, FLTRK AND FLTRX (2 OF 2)
14100891	SWITCHES (1 OF 2)
14101073	INSTRUMENT HOUSING - FLTRK, FLTRX AND FLTRXS
14101107	AIR CLEANER - FLHRXS, FLHXS, FLH, FLTRXS
14101238	FUEL TANK TRIM (2 OF 2)
14101239	FUEL TANK TRIM (2 OF 2)
14101240	FUEL TANK TRIM (1 OF 2)
14101241	FUEL TANK TRIM (1 OF 2)
14101244	FUEL TANK TRIM (2 OF 2) FUEL TANK TRIM (2 OF 2) FUEL TANK TRIM (2 OF 2)
14101245	FUEL TANK TRIM (2 OF 2) FUEL TANK TRIM (2 OF 2) FUEL TANK TRIM (2 OF 2)
14101248	FENDERS, FRONT
14101269	CONSOLE, FUEL TANK - FLHXS, FLTRXS
14101270	CONSOLE, FUEL TANK - FLHXS, FLTRXS
14101271	INSTRUMENTS, FUEL TANK - FLHR AND FLHRXS
14101277	FUEL TANK TRIM (1 OF 2) FUEL TANK TRIM (1 OF 2)

14101278	FUEL TANK TRIM (1 OF 2) FUEL TANK TRIM (1 OF 2)
14101279	FENDERS, FRONT
14101286	FENDERS, REAR
14101287	FENDERS, REAR
14101306	AIR CLEANER - FLHRXS, FLHXS, FLH, FLTRXS
14101371	CONSOLE, FUEL TANK - FLHT, FLHTK, FLHX, FLH, FLTRK AND FLTRX (2 OF 2)
14101507	FENDERS, FRONT
14101509	FUEL TANK TRIM (2 OF 2)
14101510	FUEL TANK TRIM (2 OF 2)
14101666	CONSOLE, FUEL TANK - FLHT, FLHTK, FLHX, FLH, FLTRK AND FLTRX (2 OF 2)
15341-08	INTERCOM CONTROL POD
15342-06A	LABELS LABELS
15346-98A	NACELLE AND HEADLAMP - FLHR AND FLHRXS (1 OF 2)
15368-01A	BATTERY LABELS
15370-01A	LABELS
15385-08	LABELS
16200265	ENGINE ASSEMBLY - Milwaukee-eight™ 107
16200582	ENGINE ASSEMBLY - Milwaukee-eight™ 114
16200659	ENGINE ASSEMBLY - Milwaukee-eight™ 107
16200660	ENGINE ASSEMBLY - Milwaukee-eight™ 114
16200661	ENGINE ASSEMBLY - Milwaukee-eight™ 114
16200662	ENGINE ASSEMBLY - Milwaukee-eight™ 114
16200666	ENGINE ASSEMBLY - Milwaukee-eight™ 107
16200667	ENGINE ASSEMBLY - Milwaukee-eight™ 114
16219-09	ENGINE MOUNTS AND STABILIZER LINK
16300005	ENGINE MOUNTS AND STABILIZER LINK
16400005	FRAME AND FORK, REAR AND TOUR-PAK SUPPORT
16400041	ENGINE MOUNTS AND STABILIZER LINK
16400042	ENGINE MOUNTS AND STABILIZER LINK

16400049	<u>INDUCTION MODULE, FUEL</u>
16500305	<u>CYLINDERS, HEADS AND VALVES</u>
16500326	<u>CYLINDERS, HEADS AND VALVES</u>
16500332	<u>CYLINDERS, HEADS AND VALVES</u>
16500388	<u>CYLINDERS, HEADS AND VALVES</u>
16500393	<u>CYLINDERS, HEADS AND VALVES</u>
16500498	<u>CYLINDERS, HEADS AND VALVES</u>
16500508	<u>CYLINDERS, HEADS AND VALVES</u>
16574-99A	<u>CRANKCASE</u> <u>TRANSMISSION HOUSING, COVER AND OIL PAN</u>
16583-00A	<u>TRANSMISSION BEARINGS AND COVERS</u> <u>PRIMARY HOUSING</u>
16589-99A	<u>CYLINDERS, HEADS AND VALVES</u> <u>CRANKCASE</u> <u>CAMSHAFTS AND CAMSHAFT COVER (1 OF 2)</u>
16800063	<u>CYLINDERS, HEADS AND VALVES</u>
16800075	<u>CYLINDERS, HEADS AND VALVES</u>
16800080	<u>CYLINDERS, HEADS AND VALVES</u>
16800095	<u>CYLINDERS, HEADS AND VALVES</u>
16800100	<u>CYLINDERS, HEADS AND VALVES</u>
17300053	<u>ROCKER ARM ASSEMBLY AND PUSHRODS</u>
17300055	<u>ROCKER ARM ASSEMBLY AND PUSHRODS</u>
17300059B	<u>ROCKER ARM ASSEMBLY AND PUSHRODS</u>
17369-06	<u>PRIMARY HOUSING</u>
1775	<u>PRIMARY HOUSING</u>
17900030	<u>ROCKER ARM ASSEMBLY AND PUSHRODS</u>
17900031	<u>ROCKER ARM ASSEMBLY AND PUSHRODS</u>
17900034	<u>ROCKER ARM ASSEMBLY AND PUSHRODS</u>
17900035	<u>ROCKER ARM ASSEMBLY AND PUSHRODS</u>
17945-36B	<u>ROCKER ARM ASSEMBLY AND PUSHRODS</u>
17947-36	<u>ROCKER ARM ASSEMBLY AND PUSHRODS</u>
17948-99A	<u>ROCKER ARM ASSEMBLY AND PUSHRODS</u>
17968-99	<u>ROCKER ARM ASSEMBLY AND PUSHRODS</u>

18000016	CYLINDERS, HEADS AND VALVES
18000034	CYLINDERS, HEADS AND VALVES
18100043	CYLINDERS, HEADS AND VALVES
18100044	CYLINDERS, HEADS AND VALVES
18100045	CYLINDERS, HEADS AND VALVES
18100060	CYLINDERS, HEADS AND VALVES
18400073B	CYLINDERS, HEADS AND VALVES
18538-99C	ROCKER ARM ASSEMBLY AND PUSHRODS
21900048	PISTONS AND FLYWHEEL ASSEMBLY - Milwaukee-eight™ 114
21900049	PISTONS AND FLYWHEEL ASSEMBLY - Milwaukee-eight™ 107
22000031	FORK, FRONT
22000060	PISTONS AND FLYWHEEL ASSEMBLY - Milwaukee-eight™ 107
22000061	PISTONS AND FLYWHEEL ASSEMBLY - Milwaukee-eight™ 114
22097-99	PISTONS AND FLYWHEEL ASSEMBLY - Milwaukee-eight™ 107 PISTONS AND FLYWHEEL ASSEMBLY - Milwaukee-eight™ 114
221	TRANSMISSION BEARINGS AND COVERS
22100006	PISTONS AND FLYWHEEL ASSEMBLY - Milwaukee-eight™ 107 PISTONS AND FLYWHEEL ASSEMBLY - Milwaukee-eight™ 114
24100045A	PISTONS AND FLYWHEEL ASSEMBLY - Milwaukee-eight™ 114
24100057A	PISTONS AND FLYWHEEL ASSEMBLY - Milwaukee-eight™ 107
24100080	CRANKCASE
24400120	CRANKCASE
24400180	TRANSMISSION HOUSING, COVER AND OIL PAN
24400215	TRANSMISSION BEARINGS AND COVERS
2445	WINDSHIELD, FAIRING AND HEADLAMP - FLHT, FLHTK, FLHX, FLHXS AND FLH (1 OF 2) FAIRING, INNER - FLHT, FLHTK, FLHX, FLHXS AND FLH (1 OF 3)
2446	LICENSE PLATE BRACKETS
2452	WINDSHIELD - FLHR
24605-07	CRANKCASE
24754-75A	PRIMARY HOUSING
2478	FAIRING, INNER - FLHT, FLHTK, FLHX, FLHXS AND FLH (1 OF 3) SOUND SYSTEM - FLTRK, FLTRX AND FLTRXS (1 OF 2)
2479	BRAKE CONTROL, REAR

	FRAME AND JIFFY STAND - FLHRXS, FLHXS, FLTRXS
2482	TAIL LAMP AND TURN SIGNALS, REAR - FLHT AND FLH TAIL LAMP AND TURN SIGNALS, REAR - FLHRXS, FLHX, FLHXS, FLTRX, FLTRXS TAIL LAMP AND TURN SIGNALS, REAR - FLHR TAIL LAMP AND TURN SIGNALS, REAR - FLHTK, FLTRK (HDI)
2531	FENDERS, FRONT
25400103	CAMSHAFTS AND CAMSHAFT COVER (1 OF 2)
25400133	CAMSHAFTS AND CAMSHAFT COVER (1 OF 2)
25400190	CAMSHAFTS AND CAMSHAFT COVER (1 OF 2)
25400257	CAMSHAFTS AND CAMSHAFT COVER (1 OF 2)
25500013	CAMSHAFTS AND CAMSHAFT COVER (1 OF 2)
25566-06	CAMSHAFTS AND CAMSHAFT COVER (1 OF 2)
25600078	CAMSHAFTS AND CAMSHAFT COVER (2 OF 2)
25600110	CAMSHAFTS AND CAMSHAFT COVER (2 OF 2)
25600146	CAMSHAFTS AND CAMSHAFT COVER (2 OF 2)
2563	INSTRUMENTS - FLHT, FLHTK, FLHX, FLHXS AND FLH INSTRUMENTS - FLTRK, FLTRX AND FLTRXS WINDSHIELD, FAIRING AND HEADLAMP - FLTRK, FLTRX AND FLTRXS (1 OF 2) FAIRING, INNER - FLHT, FLHTK, FLHX, FLHXS AND FLH (1 OF 3) FAIRING, INNER - FLHT, FLHTK, FLHX, FLHXS AND FLH (1 OF 3) FAIRING, INNER - FLTRK, FLTRX AND FLTRXS (1 OF 2)
25673-06	CAMSHAFTS AND CAMSHAFT COVER (1 OF 2)
25675-06	CAMSHAFTS AND CAMSHAFT COVER (1 OF 2)
25700362	ROCKER ARM ASSEMBLY AND PUSHRODS
25700367	CAMSHAFTS AND CAMSHAFT COVER (2 OF 2)
25700370	CAMSHAFTS AND CAMSHAFT COVER (2 OF 2)
25700372B	ROCKER ARM ASSEMBLY AND PUSHRODS
25700378	PRIMARY HOUSING
25700388	PRIMARY HOUSING
25700409	ROCKER ARM ASSEMBLY AND PUSHRODS
25700410	ROCKER ARM ASSEMBLY AND PUSHRODS
25700411	ROCKER ARM ASSEMBLY AND PUSHRODS
25700418	PRIMARY HOUSING
25700425	ROCKER ARM ASSEMBLY AND PUSHRODS
25700433	CRANKCASE

25700452	<u>TRANSMISSION HOUSING, COVER AND OIL PAN</u>
25700455	<u>PRIMARY HOUSING</u>
25700467	<u>CAMSHAFTS AND CAMSHAFT COVER (2 OF 2)</u>
25700489	<u>INSTRUMENT HOUSING - FLTRK, FLTRX AND FLTRXS</u>
25700491	<u>PRIMARY HOUSING</u>
25700520	<u>ROCKER ARM ASSEMBLY AND PUSHRODS</u>
25700637	<u>ROCKER ARM ASSEMBLY AND PUSHRODS</u>
25700650	<u>PRIMARY HOUSING</u>
25700692	<u>ROCKER ARM ASSEMBLY AND PUSHRODS</u>
25700693	<u>ROCKER ARM ASSEMBLY AND PUSHRODS</u>
25700698	<u>CAMSHAFTS AND CAMSHAFT COVER (2 OF 2)</u>
25700729	<u>CYLINDERS, HEADS AND VALVES</u>
25700730	<u>CYLINDERS, HEADS AND VALVES</u>
25700731	<u>ROCKER ARM ASSEMBLY AND PUSHRODS</u> <u>CAMSHAFTS AND CAMSHAFT COVER (2 OF 2)</u>
25700746	<u>PRIMARY HOUSING</u>
25700830	<u>PRIMARY HOUSING</u>
25700870	<u>INSTRUMENT HOUSING - FLTRK, FLTRX AND FLTRXS</u>
25700902	<u>PRIMARY HOUSING</u>
25700904	<u>PRIMARY HOUSING</u>
25701000	<u>ROCKER ARM ASSEMBLY AND PUSHRODS</u>
25701144	<u>PRIMARY HOUSING</u>
25701145	<u>PRIMARY HOUSING</u>
25729-06	<u>CAMSHAFTS AND CAMSHAFT COVER (1 OF 2)</u>
25731-06	<u>CAMSHAFTS AND CAMSHAFT COVER (1 OF 2)</u>
25734-06	<u>CAMSHAFTS AND CAMSHAFT COVER (1 OF 2)</u>
25736-06	<u>CAMSHAFTS AND CAMSHAFT COVER (1 OF 2)</u>
25737-06	<u>CAMSHAFTS AND CAMSHAFT COVER (1 OF 2)</u>
25738-06	<u>CAMSHAFTS AND CAMSHAFT COVER (1 OF 2)</u>
25800048	<u>TRANSMISSION BEARINGS AND COVERS</u>
25800080	<u>TRANSMISSION BEARINGS AND COVERS</u>

25800082	TRANSMISSION BEARINGS AND COVERS
25800098	TRANSMISSION BEARINGS AND COVERS
25800141	TRANSMISSION BEARINGS AND COVERS
26210-99	CAMSHAFTS AND CAMSHAFT COVER (1 OF 2)
26352-95A	CRANKCASE
26400-82B	CAMSHAFTS AND CAMSHAFT COVER (1 OF 2)
2647B	NACELLE AND HEADLAMP - FLHR AND FLHRXS (1 OF 2) AUXILIARY/FOG LAMPS AND TURN SIGNALS, FRONT - FLHR FAIRING, INNER - FLTRK, FLTRX AND FLTRXS (1 OF 2) SWITCHES (1 OF 2)
26500026	PRIMARY HOUSING
26500027	PRIMARY HOUSING
26600048A	COOLANT DISTRIBUTION - TWIN-COOLED™
2667	SEAT- FLH
26780-05A	RADIATOR, COOLANT HOSES AND BOTTLE - TWIN-COOLED™
26800005	RADIATOR, COOLANT HOSES AND BOTTLE - TWIN-COOLED™
26800006	RADIATOR, COOLANT HOSES AND BOTTLE - TWIN-COOLED™
26800007A	RADIATOR, COOLANT HOSES AND BOTTLE - TWIN-COOLED™
26800008	FAIRING, LOWERS, TWIN-COOLED™ - FLHTK, FLTRK
26800009	FAIRING, LOWERS, TWIN-COOLED™ - FLHTK, FLTRK
26800019A	RADIATOR, COOLANT HOSES AND BOTTLE - TWIN-COOLED™
26800020A	RADIATOR, COOLANT HOSES AND BOTTLE - TWIN-COOLED™
26800021	RADIATOR, COOLANT HOSES AND BOTTLE - TWIN-COOLED™
26800077A	COOLANT DISTRIBUTION - TWIN-COOLED™
26800092	COOLANT DISTRIBUTION - AIR-COOLED
26800194	RADIATOR, COOLANT HOSES AND BOTTLE - TWIN-COOLED™
26900008	RADIATOR, COOLANT HOSES AND BOTTLE - TWIN-COOLED™
26900009	RADIATOR, COOLANT HOSES AND BOTTLE - TWIN-COOLED™
26900010	RADIATOR, COOLANT HOSES AND BOTTLE - TWIN-COOLED™
26900014	RADIATOR, COOLANT HOSES AND BOTTLE - TWIN-COOLED™
26900016	RADIATOR, COOLANT HOSES AND BOTTLE - TWIN-COOLED™
26900017	RADIATOR, COOLANT HOSES AND BOTTLE - TWIN-COOLED™

26900018	RADIATOR, COOLANT HOSES AND BOTTLE - TWIN-COOLED™
26900088	COOLANT DISTRIBUTION - TWIN-COOLED™
26900114	RADIATOR, COOLANT HOSES AND BOTTLE - TWIN-COOLED™
26900115	RADIATOR, COOLANT HOSES AND BOTTLE - TWIN-COOLED™
26900117	COOLING SYSTEM, ENGINE, TWIN-COOLED™ COOLING SYSTEM, ENGINE, AIR-COOLED
26900133	COOLING SYSTEM, ENGINE, TWIN-COOLED™
26900144	COOLING SYSTEM, ENGINE, TWIN-COOLED™ COOLING SYSTEM, ENGINE, AIR-COOLED
26900145	COOLING SYSTEM, ENGINE, TWIN-COOLED™
2692WB	TAIL LAMP AND TURN SIGNALS, REAR - FLHR
2708A	FRAME AND JIFFY STAND - FLHR, FLHT, FLHTK, FLHX, FLH, FLTRK, FLTRX (1 OF 2) FOOTBOARDS AND FOOTPEGS, PASSENGER HANDLEBAR
27200025	INDUCTION MODULE, FUEL
2724	TOUR-PAK (BOTTOM)
27291-09A	FUEL TANK - FLHT, FLHTK, FLHX, FLH, FLTRK AND FLTRX FUEL TANK - FLHR, FLHRXS, FLHXS AND FLTRXS EVAPORATIVE EMISSIONS COMPONENTS
27297-09A	EVAPORATIVE EMISSIONS COMPONENTS
27300082	INDUCTION MODULE, FUEL
27300086	INDUCTION MODULE, FUEL
27300087	INDUCTION MODULE, FUEL
27300121	INDUCTION MODULE, FUEL
27300122	INDUCTION MODULE, FUEL
2731W	FRAME AND FORK, REAR AND TOUR-PAK SUPPORT LOOSE PARTS (2 OF 3) LOOSE PARTS (3 OF 3)
27400015	INDUCTION MODULE, FUEL
27400019	INDUCTION MODULE, FUEL
27440-09A	FUEL TANK - FLHT, FLHTK, FLHX, FLH, FLTRK AND FLTRX FUEL TANK - FLHR, FLHRXS, FLHXS AND FLTRXS
27444-00Y	STARTER MOTOR
28012-09	LABELS
29000106	AIR CLEANER - FLHR, FLHT, FLHTK, FLHX, FLTRK, FLTRX

29000108	AIR CLEANER - FLHR, FLHT, FLHTK, FLHX, FLTRK, FLTRX
29000120	AIR CLEANER - FLHR, FLHT, FLHTK, FLHX, FLTRK, FLTRX
29000121	AIR CLEANER - FLHR, FLHT, FLHTK, FLHX, FLTRK, FLTRX
29000148	AIR CLEANER - FLHRXS, FLHXS, FLH, FLTRXS
29000149	AIR CLEANER - FLHRXS, FLHXS, FLH, FLTRXS
29000216	AIR CLEANER - FLHR, FLHT, FLHTK, FLHX, FLTRK, FLTRX
29000290	AIR CLEANER - FLHRXS, FLHXS, FLH, FLTRXS
29000291	AIR CLEANER - FLHRXS, FLHXS, FLH, FLTRXS
29000301	AIR CLEANER - FLHR, FLHT, FLHTK, FLHX, FLTRK, FLTRX
29108-08	AIR CLEANER - FLHR, FLHT, FLHTK, FLHX, FLTRK, FLTRX LABELS
29200007	WINDSHIELD, FAIRING AND HEADLAMP - FLHT, FLHTK, FLHX, FLHXS AND FLH (1 OF 2)
29200041BYM	WINDSHIELD, FAIRING AND HEADLAMP - FLTRK, FLTRX AND FLTRXS (1 OF 2)
29200073	WINDSHIELD, FAIRING AND HEADLAMP - FLTRK, FLTRX AND FLTRXS (1 OF 2)
29200075	WINDSHIELD, FAIRING AND HEADLAMP - FLTRK, FLTRX AND FLTRXS (1 OF 2)
29200078	WINDSHIELD, FAIRING AND HEADLAMP - FLTRK, FLTRX AND FLTRXS (1 OF 2)
29200080	WINDSHIELD, FAIRING AND HEADLAMP - FLTRK, FLTRX AND FLTRXS (1 OF 2)
29200081	WINDSHIELD, FAIRING AND HEADLAMP - FLTRK, FLTRX AND FLTRXS (1 OF 2)
29200087A	FAIRING, INNER - FLHT, FLHTK, FLHX, FLHXS AND FLH (1 OF 3)
29200088A	FAIRING, INNER - FLHT, FLHTK, FLHX, FLHXS AND FLH (1 OF 3)
29200134	FAIRING, INNER - FLTRK, FLTRX AND FLTRXS (1 OF 2)
29200137	FAIRING, INNER - FLTRK, FLTRX AND FLTRXS (1 OF 2)
2921A	WINDSHIELD - FLHR
29269-83A	AIR CLEANER - FLHR, FLHT, FLHTK, FLHX, FLTRK, FLTRX
2933	NACELLE AND HEADLAMP - FLHR AND FLHRXS (1 OF 2)
29400183	ROCKER ARM ASSEMBLY AND PUSHRODS
29400210	ROCKER ARM ASSEMBLY AND PUSHRODS
29400211	AIR CLEANER - FLHR, FLHT, FLHTK, FLHX, FLTRK, FLTRX
29400212	AIR CLEANER - FLHR, FLHT, FLHTK, FLHX, FLTRK, FLTRX
29400267	AIR CLEANER - FLHRXS, FLHXS, FLH, FLTRXS
29400336	AIR CLEANER - FLHRXS, FLHXS, FLH, FLTRXS

29400337	AIR CLEANER - FLHRXS, FLHXS, FLH, FLTRXS
29465-08B	INDUCTION MODULE, FUEL AIR CLEANER - FLHR, FLHT, FLHTK, FLHX, FLTRK, FLTRX AIR CLEANER - FLHRXS, FLHXS, FLH, FLTRXS
2952A	SEATS
2968	TOUR-PAK (BOTTOM)
29900038A	ALTERNATOR AND REGULATOR
29900041	CRANKCASE ALTERNATOR AND REGULATOR
29900042A	ALTERNATOR AND REGULATOR
2995	FENDERS, REAR
2998	SEAT- FLH
3022A	TAIL LAMP (1 OF 2) TAIL LAMP (1 OF 2)
3048	AIR CLEANER - FLHRXS, FLHXS, FLH, FLTRXS
3050	ALTERNATOR AND REGULATOR
3057	FRAME AND FORK, REAR AND TOUR-PAK SUPPORT
3061	LICENSE PLATE BRACKETS
3088	NACELLE AND HEADLAMP - FLHR AND FLHRXS (1 OF 2) WINDSHIELD, FAIRING AND HEADLAMP - FLHT, FLHTK, FLHX, FLHXS AND FLH (1 OF 2)
31400053	STARTER MOTOR
31400137	EVAPORATIVE EMISSIONS COMPONENTS
3143	FOOTBOARDS AND FOOTPEGS, PASSENGER
3152	INSTRUMENT HOUSING - FLTRK, FLTRX AND FLTRXS SOUND SYSTEM - FLTRK, FLTRX AND FLTRXS (1 OF 2)
31586-07	WIRING HARNESS, MAIN - FLHT, FLHX, FLHXS AND FLH (9 OF 10) WIRING HARNESS, MAIN - FLHTK (9 OF 10) WIRING HARNESS, MAIN - FLHR, FLHRXS (9 OF 10) WIRING HARNESS, MAIN - FLTRX, FLTRXS (9 OF 10) WIRING HARNESS, MAIN - FLTRK (9 OF 10)
31600012	ELECTRONIC CONTROL MODULE (ECM) AND COIL
31600017	ELECTRONIC CONTROL MODULE (ECM) AND COIL
31600018B	ELECTRONIC CONTROL MODULE (ECM) AND COIL
31600023A	ELECTRONIC CONTROL MODULE (ECM) AND COIL
31600078A	ELECTRONIC CONTROL MODULE (ECM) AND COIL
31600079	ELECTRONIC CONTROL MODULE (ECM) AND COIL

31694-90	STARTER MOTOR BATTERY
3225	NACELLE AND HEADLAMP - FLHR AND FLHRXS (1 OF 2)
32306-08	THROTTLE CONTROL
3249	TRANSMISSION BEARINGS AND COVERS
3265A	NACELLE AND HEADLAMP - FLHR AND FLHRXS (1 OF 2) AUXILIARY/FOG LAMPS AND TURN SIGNALS, FRONT - FLHR WINDSHIELD - FLHR
32700010	SWITCHES (1 OF 2)
32700015	WHEELS, FRONT (1 OF 2)
32700017	WHEELS, FRONT (1 OF 2)
32700050A	THROTTLE CONTROL
32700054	SENSORS AND SWITCHES, ENGINE
32700065	INDUCTION MODULE, FUEL SENSORS AND SWITCHES, ENGINE
32700066	RADIATOR, COOLANT HOSES AND BOTTLE - TWIN-COOLED™
32700101	BRAKE LINES AND MODULE, REAR - ABS
32700116	EXHAUST SYSTEM (1 OF 2)
32700124	EXHAUST SYSTEM (2 OF 2)
32700130	EXHAUST SYSTEM (1 OF 2)
32700144	SENSORS AND SWITCHES, ENGINE
3275	INDUCTION MODULE, FUEL SENSORS AND SWITCHES, ENGINE
33085-74	FOOTBOARDS AND FOOTPEGS, PASSENGER
33389-07	SHIFTER, GEAR
33409-06B	SHIFTER, GEAR
33600088	SHIFTER, GEAR
33600091	SHIFTER, GEAR
33600188	SHIFTER, GEAR
33600243	SHIFTER, GEAR
33600304	SHIFTER, GEAR
33719-79B	SHIFTER, GEAR
33895-82E	SHIFTER, GEAR

33900172	SHIFTER, GEAR
33900175	SHIFTER, GEAR
33926-06B	TRANSMISSION HOUSING, COVER AND OIL PAN SWITCHES (1 OF 2)
34064-00C	SHIFTER, GEAR
34091-08	TRANSMISSION GEARS
3445	FRAME AND JIFFY STAND - FLHRXS, FLHXS, FLTRXS FRAME AND JIFFY STAND - FLHR, FLHT, FLHTK, FLHX, FLH, FLTRK, FLTRX (1 OF 2)
34611-65A	SHIFTER, GEAR
34700372	TRANSMISSION HOUSING, COVER AND OIL PAN
34800043	TRANSMISSION HOUSING, COVER AND OIL PAN
34800044	TRANSMISSION HOUSING, COVER AND OIL PAN
34800046	TRANSMISSION HOUSING, COVER AND OIL PAN
34920-86A	TRANSMISSION BEARINGS AND COVERS
34987-06	SHIFTER, GEAR
35000152	BELT, CHAIN AND SPROCKETS
35000178	TRANSMISSION GEARS
35000179	TRANSMISSION GEARS
35000198A	SHIFTER, GEAR TRANSMISSION GEARS
35081-06	SHIFTER, GEAR
35082-07	SHIFTER, GEAR TRANSMISSION BEARINGS AND COVERS
35087-99A	TRANSMISSION BEARINGS AND COVERS
35114-02	CRANKCASE
35122-06A	TRANSMISSION GEARS
35124-06	TRANSMISSION GEARS
35126-06	TRANSMISSION GEARS
3514	AUXILIARY/FOG LAMPS AND TURN SIGNALS, FRONT - FLHR AUXILIARY/FOG LAMPS AND TURN SIGNALS, FRONT - FLHTK AND FLH (1 OF 2)
35186-06A	SHIFTER, GEAR TRANSMISSION BEARINGS AND COVERS
35187-06	SHIFTER, GEAR
35200021	CRANKCASE

35200057	PISTONS AND FLYWHEEL ASSEMBLY - Milwaukee-eight™ 107 PISTONS AND FLYWHEEL ASSEMBLY - Milwaukee-eight™ 114
35200141	PISTONS AND FLYWHEEL ASSEMBLY - Milwaukee-eight™ 114
35202-06	TRANSMISSION GEARS
35204-06	TRANSMISSION GEARS
35210-06	SHIFTER, GEAR
35217-06	SHIFTER, GEAR
35222-06A	SHIFTER, GEAR
35223-06A	SHIFTER, GEAR
35241-06	BELT, CHAIN AND SPROCKETS
35242-06	BELT, CHAIN AND SPROCKETS
35243-06A	SHIFTER, GEAR
35244-06	SHIFTER, GEAR
35249-06A	SHIFTER, GEAR
35259-06	SHIFTER, GEAR
35260-06B	TRANSMISSION BEARINGS AND COVERS
3536	FRAME AND FORK, REAR AND TOUR-PAK SUPPORT
35467-06C	TRANSMISSION GEARS
35600094	TRANSMISSION GEARS
35600103	TRANSMISSION GEARS
3560WA	FENDERS, FRONT
3561WC	FENDERS, FRONT
3563	BRAKE CONTROL, REAR BRAKE LINES AND MODULE, REAR - ABS HORN
35654-06	TRANSMISSION BEARINGS AND COVERS
3576	TAIL LAMP AND TURN SIGNALS, REAR - FLHT AND FLH TAIL LAMP AND TURN SIGNALS, REAR - FLHRXS, FLHX, FLHXS, FLTRX, FLTRXS TAIL LAMP AND TURN SIGNALS, REAR - FLHR TAIL LAMP AND TURN SIGNALS, REAR - FLHTK, FLTRK (HDI)
35807-06	TRANSMISSION GEARS
35811-06	TRANSMISSION GEARS
35814-06	TRANSMISSION GEARS
3588	CONSOLE, FUEL TANK - FLHT, FLHTK, FLHX, FLH, FLTRK AND FLTRX (1 OF 2)

	CONSOLE, FUEL TANK - FLHXS, FLTRXS INSTRUMENTS, FUEL TANK - FLHR AND FLHRXS
3594	BELT, CHAIN AND SPROCKETS FRAME AND JIFFY STAND - FLHRXS, FLHXS, FLTRXS FRAME AND JIFFY STAND - FLHR, FLHT, FLHTK, FLHX, FLH, FLTRK, FLTRX (1 OF 2)
3601	GUARDS, SADDLEBAG
3607	SHOCK ABSORBERS, REAR
3612	FENDERS, FRONT LAMPS AND SPEAKER HOUSINGS, ULTRA TOUR-PAK (1 OF 2)
3622	INSTRUMENTS, FUEL TANK - FLHR AND FLHRXS SWITCHES (2 OF 2)
3633	SEATS
3634	ELECTRONIC CONTROL MODULE (ECM) AND COIL FUEL TANK - FLHT, FLHTK, FLHX, FLH, FLTRK AND FLTRX FUEL TANK - FLHR, FLHRXS, FLHXS AND FLTRXS WIRING HARNESS, MAIN - FLHT, FLHX, FLHXS AND FLH (6 OF 10) WIRING HARNESS, MAIN - FLHTK (6 OF 10) WIRING HARNESS, MAIN - FLHR, FLHRXS (6 OF 10) WIRING HARNESS, MAIN - FLTRX, FLTRXS (6 OF 10) WIRING HARNESS, MAIN - FLTRK (6 OF 10) BATTERY
36500052A	PRIMARY HOUSING
36500075	PRIMARY HOUSING
3655A	WHEELS, FRONT (2 OF 2) FAIRING, LOWERS, TWIN-COOLED™ - FLHTK, FLTRK
3656	SADDLEBAGS (1 OF 2)
36700246	CLUTCH CONTROL
36700249	CLUTCH CONTROL
36700250	CLUTCH CONTROL
36700254	CLUTCH CONTROL
36700257	CLUTCH CONTROL
36706-01K	CLUTCH
3676	INSTRUMENT HOUSING - FLTRK, FLTRX AND FLTRXS NACELLE AND HEADLAMP - FLHR AND FLHRXS (1 OF 2)
36805-06	TRANSMISSION BEARINGS AND COVERS
3684	FRAME AND FORK, REAR AND TOUR-PAK SUPPORT FENDERS, REAR GUARDS, SADDLEBAG
3699D	TRANSMISSION HOUSING, COVER AND OIL PAN

37000032A	CLUTCH
37000033	CLUTCH
37000034	CLUTCH
37000083	CLUTCH
37000168	CLUTCH
37000169	CLUTCH
37000219	CLUTCH
37000254A	CLUTCH
37000258	CLUTCH
37000270A	CLUTCH
37000295	CLUTCH
37000376	TRANSMISSION BEARINGS AND COVERS
37065-06A	TRANSMISSION BEARINGS AND COVERS
37069-90A	CLUTCH
37090-98A	CLUTCH
37092-06	CLUTCH
37200395A	CLUTCH CONTROL
37200396	CLUTCH CONTROL
37200437	CLUTCH CONTROL
37200439	CLUTCH CONTROL
37200440	CLUTCH CONTROL
37200441	CLUTCH CONTROL
37200545	CLUTCH CONTROL
37312-75	CLUTCH
37313-80	CLUTCH
37496-90A	CLUTCH
3767B	LOOSE PARTS (2 OF 3)
3787	FRAME AND JIFFY STAND - FLHRXS, FLHXS, FLTRXS COVERS AND AIR DEFLECTORS COVERS AND AIR DEFLECTORS FAIRING, INNER - FLTRK, FLTRX AND FLTRXS (1 OF 2)
37903-90	CLUTCH

37904-90	CLUTCH
37909-90	CLUTCH
38722-94	WINDSHIELD - FLHR
3892	BELT, CHAIN AND SPROCKETS
3901	SEATS
3910	TOUR-PAK (BOTTOM)
3929	EXHAUST SYSTEM (1 OF 2)
3976	ROCKER ARM ASSEMBLY AND PUSHRODS
3983	TRANSMISSION HOUSING, COVER AND OIL PAN
3987	TURN SIGNALS, FRONT - FLHT, FLHX AND FLHXS
40024-09A	BELT, CHAIN AND SPROCKETS
40037-07	BELT, CHAIN AND SPROCKETS
40100041	BELT, CHAIN AND SPROCKETS
40100064	BELT, CHAIN AND SPROCKETS
40100076	BELT, CHAIN AND SPROCKETS
40217-09	BELT, CHAIN AND SPROCKETS WHEELS, REAR (1 OF 2)
40278-09	BELT, CHAIN AND SPROCKETS WHEELS, REAR (1 OF 2)
40558-82	WHEELS, FRONT (2 OF 2)
40592-09	WHEELS, REAR (2 OF 2)
40615-08	WHEELS, REAR (1 OF 2)
4067	SEAT- FLH
40900528	WHEELS, REAR (2 OF 2)
40900594	WHEELS, REAR (2 OF 2)
40900597	WHEELS, REAR (2 OF 2)
40900600	WHEELS, REAR (2 OF 2)
40900603	WHEELS, REAR (2 OF 2)
40900661	WHEELS, REAR (2 OF 2)
40900822	WHEELS, REAR (2 OF 2)
40901-05	AUXILIARY/FOG LAMPS AND TURN SIGNALS, FRONT - FLHTK AND FLH (1 OF 2)
40960-09	WHEELS, FRONT (2 OF 2)

40999-87	WHEELS, FRONT (1 OF 2) WHEELS, REAR (1 OF 2)
41000341F	SWITCHES (1 OF 2)
41000342F	SWITCHES (1 OF 2)
41000677	ELECTRONIC CONTROL MODULE (ECM) AND COIL
41052-09	WHEELS, REAR (2 OF 2)
41100104B	BRAKE LINES AND MODULE, REAR - ABS
41123-79	WHEELS, FRONT (1 OF 2) WHEELS, REAR (1 OF 2)
41229-08	WHEELS, REAR (1 OF 2)
4132	CLUTCH CONTROL BRAKE CONTROL, FRONT
41349-07	WHEELS, REAR (1 OF 2)
41445-09	WHEELS, REAR (2 OF 2)
41500017	WHEELS, FRONT (2 OF 2)
41500018	WHEELS, FRONT (2 OF 2) WHEELS, FRONT (2 OF 2)
41500019	WHEELS, FRONT (2 OF 2) WHEELS, FRONT (2 OF 2)
41500020	WHEELS, FRONT (2 OF 2) WHEELS, FRONT (2 OF 2)
41500157	WHEELS, FRONT (2 OF 2)
41547-07A	WHEELS, FRONT (1 OF 2)
41600029A	BRAKE LINES, FRONT - ABS FORK BRACKETS, FRONT
41600032	BRAKE LINES, FRONT - ABS
41600078	BRAKE LINES AND MODULE, REAR - ABS
41600091	BRAKE CONTROL, REAR BRAKE LINES AND MODULE, REAR - ABS
41600316	FORK BRACKETS, FRONT
41600320	BRAKE LINES, FRONT - ABS
41700028A	BRAKE CONTROL, REAR
41700195	BRAKE CONTROL, REAR
41700367	BRAKE CONTROL, FRONT
41700948	BRAKE CONTROL, FRONT

41746-09	<u>WHEELS, REAR (2 OF 2)</u>
41750-06B	<u>BRAKE CONTROL, FRONT</u> <u>BRAKE LINES, FRONT - ABS</u> <u>BRAKE CONTROL, REAR</u> <u>BRAKE LINES AND MODULE, REAR - ABS</u>
41751-06A	<u>BRAKE CONTROL, FRONT</u> <u>BRAKE LINES, FRONT - ABS</u> <u>BRAKE CONTROL, REAR</u> <u>BRAKE LINES AND MODULE, REAR - ABS</u>
41783-08	<u>BRAKE LINES, FRONT - ABS</u>
41800011	<u>BRAKE LINES, FRONT - ABS</u>
41800012	<u>BRAKE CONTROL, REAR</u> <u>BRAKE LINES AND MODULE, REAR - ABS</u>
41800314	<u>BRAKE LINES, FRONT - ABS</u>
41800510	<u>BRAKE LINES, FRONT - ABS</u>
41800541	<u>BRAKE LINES AND MODULE, REAR - ABS</u>
41800542	<u>BRAKE LINES, FRONT - ABS</u>
41800543	<u>BRAKE LINES, FRONT - ABS</u>
41800544	<u>BRAKE LINES, FRONT - ABS</u>
41800545	<u>BRAKE LINES, FRONT - ABS</u>
41800546	<u>BRAKE LINES, FRONT - ABS</u>
41800547	<u>BRAKE LINES, FRONT - ABS</u>
41808-08A	<u>WHEELS, FRONT (2 OF 2)</u>
41809-08A	<u>WHEELS, FRONT (2 OF 2)</u>
41810-08B	<u>WHEELS, REAR (1 OF 2)</u>
41852-08B	<u>BRAKE CALIPER, REAR</u>
41854-08	<u>BRAKE CALIPER, FRONT</u>
41900-08	<u>WHEELS, FRONT (1 OF 2)</u>
41901-08	<u>WHEELS, FRONT (1 OF 2)</u>
4194	<u>CONSOLE, FUEL TANK - FLHT, FLHTK, FLHX, FLH, FLTRK AND FLTRX (1 OF 2)</u> <u>INSTRUMENTS, FUEL TANK - FLHR AND FLHRXS</u>
42018-09	<u>WHEELS, REAR (2 OF 2)</u>
42276-06A	<u>BRAKE CONTROL, FRONT</u>
42300001	<u>WHEELS, FRONT (1 OF 2)</u> <u>WHEELS, REAR (2 OF 2)</u>

42300139	WHEELS, FRONT (2 OF 2) WHEELS, REAR (2 OF 2)
42300140	WHEELS, FRONT (2 OF 2) WHEELS, REAR (2 OF 2)
42300141	WHEELS, FRONT (2 OF 2) WHEELS, REAR (2 OF 2)
42300142	WHEELS, FRONT (2 OF 2) WHEELS, REAR (2 OF 2)
42300143	WHEELS, FRONT (2 OF 2) WHEELS, REAR (2 OF 2)
4240	FORK BRACKETS, FRONT HANDLEBAR
42410-04	BRAKE CONTROL, REAR
42416-06	BRAKE CONTROL, REAR
42444-04	BRAKE CONTROL, REAR
42460-80B	BRAKE CONTROL, REAR
42849-08	BRAKE CALIPER, FRONT
42851-06	BRAKE CALIPER, FRONT
42852-06A	BRAKE CALIPER, FRONT
42853-06	BRAKE LINES, FRONT - ABS BRAKE CALIPER, REAR
42854-06	BRAKE CONTROL, FRONT BRAKE CONTROL, REAR
42855-06D	BRAKE CONTROL, FRONT
42856-06	BRAKE CONTROL, FRONT
42857-06B	BRAKE CONTROL, FRONT
42858-06A	BRAKE CONTROL, FRONT BRAKE CONTROL, REAR
42859-06B	BRAKE CONTROL, FRONT
42860-06B	CLUTCH CONTROL BRAKE CONTROL, FRONT
42861-06B	BRAKE CONTROL, FRONT
42862-06B	BRAKE CONTROL, FRONT
42863-06	BRAKE CALIPER, REAR
42865-06B	BRAKE CALIPER, REAR
42867-06A	BRAKE CALIPER, REAR

42889-06	BRAKE CONTROL, REAR
42932-08A	BRAKE CONTROL, REAR
42934-08	BRAKE CONTROL, REAR
42937-08C	BRAKE CONTROL, REAR
43000203	WHEELS, REAR (2 OF 2)
43000207	WHEELS, REAR (2 OF 2)
43027-08	BRAKE CALIPER, FRONT
43085-97	WHEELS, FRONT (2 OF 2)
43099-09	WHEELS, REAR (2 OF 2)
43100045	WHEELS, FRONT (1 OF 2)
43109-09A	WHEELS, FRONT (1 OF 2)
43118-92A	WHEELS, FRONT (1 OF 2)
4312C	BATTERY
43147-40	WHEELS, FRONT (2 OF 2)
43200027	WHEELS, REAR (2 OF 2)
43200045	WHEELS, REAR (2 OF 2)
43200054	WHEELS, REAR (2 OF 2)
43241-05	WHEELS, FRONT (2 OF 2)
43300533	WHEELS, FRONT (2 OF 2)
43300618	WHEELS, FRONT (2 OF 2)
43300621	WHEELS, FRONT (2 OF 2)
43300624	WHEELS, FRONT (2 OF 2)
43300627	WHEELS, FRONT (2 OF 2)
43300673	WHEELS, FRONT (2 OF 2)
43300841	WHEELS, FRONT (2 OF 2)
43567-92	WHEELS, REAR (1 OF 2)
44023-08	BRAKE CALIPER, FRONT
44026-09A	WHEELS, FRONT (1 OF 2)
44080-08C	BRAKE CALIPER, REAR
44089-08	BRAKE CALIPER, REAR
44160-00	BRAKE CALIPER, FRONT

4419	STARTER MOTOR
44341-08	BRAKE CALIPER, FRONT
44551-08F	BRAKE CONTROL, FRONT
44854-05	FORK BRACKETS, FRONT
44985-10D	BRAKE CONTROL, FRONT
45041-01A	FOOTBOARDS AND FOOTPEGS, PASSENGER
45138-08A	CLUTCH CONTROL BRAKE CONTROL, FRONT
45400102	FORK, FRONT
45400103	FORK, FRONT
45400181	FORK, FRONT
45400182	FORK, FRONT
45400195	FORK, FRONT
45400196	FORK, FRONT
45400197	FORK, FRONT
45400198	FORK, FRONT
45500109	FORK, FRONT
45500111	FORK, FRONT
45500117	FORK, FRONT
45500118	FORK, FRONT
45500132	FORK, FRONT
45500175B	FORK, FRONT
45500176B	FORK, FRONT
45500337	FORK, FRONT
45500339	FORK, FRONT
45500341	FORK, FRONT
45500396	FORK, FRONT
45500397	FORK, FRONT
45500398	FORK, FRONT
45500421	FORK, FRONT
45500424	FORK, FRONT

45500456	FORK, FRONT
45600003	FORK BRACKETS, FRONT
45600054	FORK BRACKETS, FRONT
45600055	FORK BRACKETS, FRONT
45700009	FORK BRACKETS, FRONT FRAME AND JIFFY STAND - FLHRXS, FLHXS, FLTRXS FRAME AND JIFFY STAND - FLHR, FLHT, FLHTK, FLHX, FLH, FLTRK, FLTRX (2 OF 2)
45700020A	FORK BRACKETS, FRONT
45800023	FORK BRACKETS, FRONT
45900024	FORK BRACKETS, FRONT
45900091A	FORK BRACKETS, FRONT
4597M	BRAKE CALIPER, REAR
4612	EVAPORATIVE EMISSIONS COMPONENTS FAIRING, INNER - FLTRK, FLTRX AND FLTRXS (1 OF 2)
46508-01	FORK, FRONT
46509-01	FORK, FRONT
46513-01	FORK, FRONT
46514-01A	FORK, FRONT
46515-01	FORK, FRONT
46555-03B	NACELLE AND HEADLAMP - FLHR AND FLHRXS (1 OF 2) WINDSHIELD, FAIRING AND HEADLAMP - FLHT, FLHTK, FLHX, FLHXS AND FLH (1 OF 2)
46615-06	FORK, FRONT
4688	ENGINE MOUNTS AND STABILIZER LINK FRAME AND JIFFY STAND - FLHRXS, FLHXS, FLTRXS FRAME AND JIFFY STAND - FLHR, FLHT, FLHTK, FLHX, FLH, FLTRK, FLTRX (1 OF 2) FOOTBOARDS, OPERATOR
4694	FAIRING, INNER - FLTRK, FLTRX AND FLTRXS (1 OF 2)
47000088BHP	FRAME AND JIFFY STAND - FLHRXS, FLHXS, FLTRXS FRAME AND JIFFY STAND - FLHR, FLHT, FLHTK, FLHX, FLH, FLTRK, FLTRX (2 OF 2)
4705	COOLING SYSTEM, ENGINE, AIR-COOLED ELECTRONIC CONTROL MODULE (ECM) AND COIL TRANSMISSION BEARINGS AND COVERS EXHAUST SYSTEM (1 OF 2) BATTERY
4706	FAIRING, INNER - FLTRK, FLTRX AND FLTRXS (1 OF 2)
4718A	TRANSMISSION BEARINGS AND COVERS
47200080	FRAME AND FORK, REAR AND TOUR-PAK SUPPORT

47200081	FRAME AND FORK, REAR AND TOUR-PAK SUPPORT
47200217	FAIRING, INNER - FLTRK, FLTRX AND FLTRXS (1 OF 2) SOUND SYSTEM - FLTRK, FLTRX AND FLTRXS (1 OF 2)
47200261	FAIRING, INNER - FLTRK, FLTRX AND FLTRXS (1 OF 2)
47200262	FAIRING, INNER - FLTRK, FLTRX AND FLTRXS (1 OF 2)
47200266	FAIRING, INNER - FLTRK, FLTRX AND FLTRXS (1 OF 2)
47200275	FAIRING, LOWERS, TWIN-COOLED™ - FLHTK, FLTRK
47200278	FAIRING, INNER - FLTRK, FLTRX AND FLTRXS (1 OF 2)
47200281	FAIRING, INNER - FLTRK, FLTRX AND FLTRXS (2 OF 2)
47200302A	FOOTBOARDS, OPERATOR
47200354	FRAME AND JIFFY STAND - FLHRXS, FLHXS, FLTRXS
47200492	FRAME AND FORK, REAR AND TOUR-PAK SUPPORT
47200493	FRAME AND FORK, REAR AND TOUR-PAK SUPPORT
4740A	CAMSHAFTS AND CAMSHAFT COVER (1 OF 2)
4741A	ROCKER ARM ASSEMBLY AND PUSHRODS TRANSMISSION BEARINGS AND COVERS TRANSMISSION HOUSING, COVER AND OIL PAN WINDSHIELD, FAIRING AND HEADLAMP - FLTRK, FLTRX AND FLTRXS (1 OF 2)
47540-11	FRAME AND FORK, REAR AND TOUR-PAK SUPPORT
47549-09A	FRAME AND FORK, REAR AND TOUR-PAK SUPPORT
47584-09	FRAME AND FORK, REAR AND TOUR-PAK SUPPORT
4775	HORN
4790	WINDSHIELD, FAIRING AND HEADLAMP - FLHT, FLHTK, FLHX, FLHXS AND FLH (1 OF 2)
48079-09BHP	FRAME AND FORK, REAR AND TOUR-PAK SUPPORT
4813A	ELECTRONIC CONTROL MODULE (ECM) AND COIL PRIMARY HOUSING
4816A	WINDSHIELD, FAIRING AND HEADLAMP - FLTRK, FLTRX AND FLTRXS (1 OF 2)
4820A	PRIMARY HOUSING
4822A	CAMSHAFTS AND CAMSHAFT COVER (1 OF 2)
48487-02	FRAME AND FORK, REAR AND TOUR-PAK SUPPORT
48489-02	FRAME AND FORK, REAR AND TOUR-PAK SUPPORT
4856	CONSOLE, FUEL TANK - FLHT, FLHTK, FLHX, FLH, FLTRK AND FLTRX (1 OF 2) CONSOLE, FUEL TANK - FLHXS, FLTRXS INSTRUMENTS, FUEL TANK - FLHR AND FLHRXS

4867	ANTENNAS
4890	BRAKE LINES, FRONT - ABS BRAKE CALIPER, REAR
49000105A	FRAME AND JIFFY STAND - FLHRXS, FLHXS, FLTRXS
49000114A	FRAME AND JIFFY STAND - FLHRXS, FLHXS, FLTRXS
49050-09A	FRAME AND JIFFY STAND - FLHR, FLHT, FLHTK, FLHX, FLH, FLTRK, FLTRX (1 OF 2)
4916	FOOTBOARDS AND FOOTPEGS, PASSENGER
49184-09A	FRAME AND JIFFY STAND - FLHR, FLHT, FLHTK, FLHX, FLH, FLTRK, FLTRX (1 OF 2)
4924	FRAME AND JIFFY STAND - FLHRXS, FLHXS, FLTRXS FRAME AND JIFFY STAND - FLHR, FLHT, FLHTK, FLHX, FLH, FLTRK, FLTRX (1 OF 2) SEATS GUARDS, SADDLEBAG GUARDS, SADDLEBAG
49725-07A	FRAME AND JIFFY STAND - FLHRXS, FLHXS, FLTRXS FRAME AND JIFFY STAND - FLHR, FLHT, FLHTK, FLHX, FLH, FLTRK, FLTRX (1 OF 2)
50000097	FRAME AND JIFFY STAND - FLHR, FLHT, FLHTK, FLHX, FLH, FLTRK, FLTRX (2 OF 2)
50000141A	FRAME AND JIFFY STAND - FLHR, FLHT, FLHTK, FLHX, FLH, FLTRK, FLTRX (2 OF 2)
50000143	FRAME AND JIFFY STAND - FLHRXS, FLHXS, FLTRXS
50000149	FRAME AND JIFFY STAND - FLHRXS, FLHXS, FLTRXS
50015-74A	FRAME AND JIFFY STAND - FLHRXS, FLHXS, FLTRXS FRAME AND JIFFY STAND - FLHR, FLHT, FLHTK, FLHX, FLH, FLTRK, FLTRX (1 OF 2)
50075-07A	FRAME AND JIFFY STAND - FLHR, FLHT, FLHTK, FLHX, FLH, FLTRK, FLTRX (1 OF 2)
50126-08B	FRAME AND JIFFY STAND - FLHRXS, FLHXS, FLTRXS FRAME AND JIFFY STAND - FLHR, FLHT, FLHTK, FLHX, FLH, FLTRK, FLTRX (1 OF 2)
50208-04	FOOTBOARDS AND FOOTPEGS, PASSENGER
50245-07	FRAME AND JIFFY STAND - FLHRXS, FLHXS, FLTRXS FRAME AND JIFFY STAND - FLHR, FLHT, FLHTK, FLHX, FLH, FLTRK, FLTRX (2 OF 2)
50345-04	FOOTBOARDS AND FOOTPEGS, PASSENGER
50350-04	FOOTBOARDS AND FOOTPEGS, PASSENGER
50500332A	FOOTBOARDS AND FOOTPEGS, PASSENGER
50500334A	FOOTBOARDS AND FOOTPEGS, PASSENGER
50500460A	FOOTBOARDS AND FOOTPEGS, PASSENGER
50500462A	FOOTBOARDS AND FOOTPEGS, PASSENGER
50500876	FOOTBOARDS AND FOOTPEGS, PASSENGER
50501280A	FOOTBOARDS, OPERATOR

50518-09	FOOTBOARDS, OPERATOR
50600067	BRAKE CONTROL, REAR
50600244	BRAKE CONTROL, REAR
50600245	BRAKE CONTROL, REAR
50606-06	FOOTBOARDS AND FOOTPEGS, PASSENGER
50614-06	FOOTBOARDS, OPERATOR
50621-06A	FOOTBOARDS, OPERATOR
50622-09A	FOOTBOARDS, OPERATOR
50674-05	FOOTBOARDS, OPERATOR
50683-04	FOOTBOARDS, OPERATOR
50684-11	FOOTBOARDS, OPERATOR
50688-04	FOOTBOARDS, OPERATOR
50689-11	FOOTBOARDS, OPERATOR
50899-99A	FOOTBOARDS AND FOOTPEGS, PASSENGER
50912-72	FOOTBOARDS AND FOOTPEGS, PASSENGER
50933-86A	FOOTBOARDS AND FOOTPEGS, PASSENGER
51068-08	FOOTBOARDS, OPERATOR
51070-08	FOOTBOARDS, OPERATOR
5118	AUXILIARY/FOG LAMPS AND TURN SIGNALS, FRONT - FLHTK AND FLH (1 OF 2) TURN SIGNALS, FRONT - FLHT, FLHX AND FLHXS TURN SIGNALS, FRONT - FLHT, FLHX AND FLHXS TURN SIGNALS, FRONT - FLHRXS TURN SIGNALS, FRONT - FLHRXS WINDSHIELD, FAIRING AND HEADLAMP - FLTRK, FLTRX AND FLTRXS (1 OF 2) FAIRING, INNER - FLTRK, FLTRX AND FLTRXS (1 OF 2) SWITCHES, HANDLEBAR, LEFT - FLHRXS SWITCHES, HANDLEBAR, RIGHT - EXCEPT FLHRXS SWITCHES, HANDLEBAR, RIGHT - FLHRXS WIRING HARNESS, MAIN - FLHR, FLHRXS (2 OF 10) WIRING HARNESS, MAIN - FLTRX, FLTRXS (2 OF 10) WIRING HARNESS, MAIN - FLTRK (2 OF 10) WIRING HARNESS, FAIRING - FLHT, FLHX, FLHXS AND FLH WIRING HARNESS, FAIRING - FLHT, FLHX, FLHXS AND FLH WIRING HARNESS, FAIRING - FLHTK WIRING HARNESS, FAIRING - FLTRK, FLTRX AND FLTRXS
515	BRAKE CONTROL, REAR
52000033	SEATS SEATS
52000038	SEATS

52000060	SEATS
52000122	SEATS
52000142	SEATS
52000464A	SEATS
52000569	SEAT- FLH
5210	NACELLE AND HEADLAMP - FLHR AND FLHRXS (1 OF 2) LAMPS AND SPEAKER HOUSINGS, ULTRA TOUR-PAK (1 OF 2)
52100006	SEAT- FLH
52100009	SEAT- FLH
52100068	SEAT- FLH
52100069	SEAT- FLH
5211	LAMPS AND SPEAKER HOUSINGS, ULTRA TOUR-PAK (1 OF 2)
52220-08	SEAT- FLH
52300053	SEATS LOOSE PARTS (1 OF 3) LOOSE PARTS (3 OF 3)
52300121	SEATS
52300122	SEATS
52300123	SEATS
52300127	SEATS
52300717	SEAT- FLH
52301-09A	SEAT- FLH
52320-11	SEATS
52400015	SEATS
52400016	SEATS
52400017	SEATS
52400018	SEATS
52400021	SEATS
52441-95	TAIL LAMP AND TURN SIGNALS, REAR - FLHT AND FLH TAIL LAMP AND TURN SIGNALS, REAR - FLHRXS, FLHX, FLHXS, FLTRX, FLTRXS
52719-10	FOOTBOARDS AND FOOTPEGS, PASSENGER
53000090	TOUR-PAK (COVER)
53000091	TOUR-PAK (BOTTOM)

53000124	TOUR-PAK (BOTTOM)
53000125	FRAME AND FORK, REAR AND TOUR-PAK SUPPORT
53000132	TOUR-PAK (BOTTOM)
53000137	TOUR-PAK (COVER)
53000138	TOUR-PAK (BOTTOM)
53000139	TOUR-PAK (BOTTOM) TOUR-PAK (COVER)
53000140	TOUR-PAK (BOTTOM) TOUR-PAK (COVER)
53000141A	TOUR-PAK (COVER)
53000308	TOUR-PAK (BOTTOM)
53000311	LOOSE PARTS (2 OF 3)
53000342	TOUR-PAK (BOTTOM)
53000344	TOUR-PAK (BOTTOM) TOUR-PAK (COVER)
53000345	TOUR-PAK (BOTTOM) TOUR-PAK (COVER)
53000346	TOUR-PAK (BOTTOM)
53000370	TOUR-PAK (COVER)
53000834	TOUR-PAK (COVER)
53436-97	NACELLE AND HEADLAMP - FLHR AND FLHRXS (1 OF 2) WINDSHIELD, FAIRING AND HEADLAMP - FLHT, FLHTK, FLHX, FLHXS AND FLH (1 OF 2)
53665-87	TOUR-PAK (COVER)
53734-06	TOUR-PAK (BOTTOM)
53735-06	TOUR-PAK (BOTTOM)
53788-06	TOUR-PAK (BOTTOM)
53789-06	TOUR-PAK (BOTTOM)
53919-04B	CONSOLE, FUEL TANK - FLHT, FLHTK, FLHX, FLH, FLTRK AND FLTRX (1 OF 2)
54000093	SHOCK ABSORBERS, REAR
54000094	SHOCK ABSORBERS, REAR
54000095	SHOCK ABSORBERS, REAR
54000096	SHOCK ABSORBERS, REAR
54000114	SHOCK ABSORBERS, REAR

54000141	SHOCK ABSORBERS, REAR
54321-85	WHEELS, FRONT (2 OF 2) WHEELS, REAR (2 OF 2)
54395-10	SEATS
55800091	NACELLE AND HEADLAMP - FLHR AND FLHRXS (1 OF 2)
55800099	HANDLEBAR
55800332	HANDLEBAR
55800378	HANDLEBAR
55800436	HANDLEBAR
55800734	HANDLEBAR
55800761	NACELLE AND HEADLAMP - FLHR AND FLHRXS (1 OF 2)
55800767A	HANDLEBAR
55800926	HANDLEBAR
55801066A	HANDLEBAR
55900050	HANDLEBAR
55900051	HANDLEBAR
55900052	HANDLEBAR
55900071	HANDLEBAR
55900078	HANDLEBAR
55900079	HANDLEBAR
55918-08	HANDLEBAR
55924-14A	HANDLEBAR
56000011	MIRRORS
56000012	MIRRORS
56000015	MIRRORS
56000016	MIRRORS
56159-73	HANDLEBAR
56161-83A	HANDLEBAR
56163-93	HANDLEBAR
56209-10A	THROTTLE CONTROL
56248-08	THROTTLE CONTROL

56249-10	<u>THROTTLE CONTROL</u>
56250-10	<u>THROTTLE CONTROL</u>
56304-08	<u>THROTTLE CONTROL</u>
57000017	<u>FAIRING, INNER - FLHT, FLHTK, FLHX, FLHXS AND FLH (3 OF 3)</u>
57000064BYM	<u>FAIRING, INNER - FLHT, FLHTK, FLHX, FLHXS AND FLH (1 OF 3)</u>
57000064DH	<u>FAIRING, INNER - FLHT, FLHTK, FLHX, FLHXS AND FLH (1 OF 3)</u>
57000065BYM	<u>FAIRING, INNER - FLHT, FLHTK, FLHX, FLHXS AND FLH (1 OF 3)</u>
57000065DH	<u>FAIRING, INNER - FLHT, FLHTK, FLHX, FLHXS AND FLH (1 OF 3)</u>
57000065ERY	<u>FAIRING, INNER - FLHT, FLHTK, FLHX, FLHXS AND FLH (1 OF 3)</u>
57000169A	<u>FAIRING, INNER - FLHT, FLHTK, FLHX, FLHXS AND FLH (3 OF 3)</u>
57000170	<u>FAIRING, INNER - FLHT, FLHTK, FLHX, FLHXS AND FLH (3 OF 3)</u>
57000172	<u>FAIRING, INNER - FLHT, FLHTK, FLHX, FLHXS AND FLH (3 OF 3)</u>
57000175	<u>FAIRING, INNER - FLHT, FLHTK, FLHX, FLHXS AND FLH (3 OF 3)</u>
57000186A	<u>FAIRING, INNER - FLHT, FLHTK, FLHX, FLHXS AND FLH(2 OF 3)</u>
57000290	<u>WINDSHIELD, FAIRING AND HEADLAMP - FLTRK, FLTRX AND FLTRXS (1 OF 2)</u>
57000299	<u>FAIRING, INNER - FLHT, FLHTK, FLHX, FLHXS AND FLH(2 OF 3)</u>
57000305	<u>FAIRING, INNER - FLTRK, FLTRX AND FLTRXS (2 OF 2)</u>
57000328DH	<u>FAIRING, INNER - FLHT, FLHTK, FLHX, FLHXS AND FLH (3 OF 3)</u>
57000374BYM	<u>FAIRING, INNER - FLTRK, FLTRX AND FLTRXS (2 OF 2)</u>
57000374DH	<u>FAIRING, INNER - FLTRK, FLTRX AND FLTRXS (2 OF 2)</u>
57000377	<u>WINDSHIELD, FAIRING AND HEADLAMP - FLHT, FLHTK, FLHX, FLHXS AND FLH (2 OF 2)</u>
57000383	<u>WINDSHIELD, FAIRING AND HEADLAMP - FLHT, FLHTK, FLHX, FLHXS AND FLH (2 OF 2)</u>
57000412	<u>INSTRUMENT HOUSING - FLTRK, FLTRX AND FLTRXS</u>
57000501	<u>WINDSHIELD, FAIRING AND HEADLAMP - FLTRK, FLTRX AND FLTRXS (1 OF 2)</u>
57000504	<u>WINDSHIELD, FAIRING AND HEADLAMP - FLTRK, FLTRX AND FLTRXS (1 OF 2)</u>
57000508A	<u>INSTRUMENT HOUSING - FLTRK, FLTRX AND FLTRXS</u> <u>INSTRUMENT HOUSING - FLTRK, FLTRX AND FLTRXS</u>
57000509DH	<u>INSTRUMENT HOUSING - FLTRK, FLTRX AND FLTRXS</u>
57100099	<u>FAIRING, LOWERS, TWIN-COOLED™ - FLHTK, FLTRK</u>
57100107	<u>FAIRING, LOWERS, TWIN-COOLED™ - FLHTK, FLTRK</u>
57100109	<u>FAIRING, LOWERS, TWIN-COOLED™ - FLHTK, FLTRK</u>

57100111	FAIRING, LOWERS, TWIN-COOLED™ - FLHTK, FLTRK
57100112	FAIRING, LOWERS, TWIN-COOLED™ - FLHTK, FLTRK
57100113	FAIRING, LOWERS, TWIN-COOLED™ - FLHTK, FLTRK
57100114	FAIRING, LOWERS, TWIN-COOLED™ - FLHTK, FLTRK
57100147	FAIRING, LOWERS, TWIN-COOLED™ - FLHTK, FLTRK
57100148	FAIRING, LOWERS, TWIN-COOLED™ - FLHTK, FLTRK
57100151	FAIRING, LOWERS, TWIN-COOLED™ - FLHTK, FLTRK
57100152	FAIRING, LOWERS, TWIN-COOLED™ - FLHTK, FLTRK
57100153	FAIRING, LOWERS, TWIN-COOLED™ - FLHTK, FLTRK
57100154	FAIRING, LOWERS, TWIN-COOLED™ - FLHTK, FLTRK
57100155	FAIRING, LOWERS, TWIN-COOLED™ - FLHTK, FLTRK
57100164	FAIRING, LOWERS, TWIN-COOLED™ - FLHTK, FLTRK
57100165	FAIRING, LOWERS, TWIN-COOLED™ - FLHTK, FLTRK
57100167	WINDSHIELD, FAIRING AND HEADLAMP - FLTRK, FLTRX AND FLTRXS (1 OF 2)
57100170	FAIRING, LOWERS, TWIN-COOLED™ - FLHTK, FLTRK
57100171	FAIRING, LOWERS, TWIN-COOLED™ - FLHTK, FLTRK
57100172	FAIRING, LOWERS, TWIN-COOLED™ - FLHTK, FLTRK
57100187	FAIRING, LOWERS, TWIN-COOLED™ - FLHTK, FLTRK
57100200	FAIRING, LOWERS, TWIN-COOLED™ - FLHTK, FLTRK
57100225	FAIRING, LOWERS, TWIN-COOLED™ - FLHTK, FLTRK
57100247	FAIRING, INNER - FLTRK, FLTRX AND FLTRXS (2 OF 2)
57100256	FAIRING, LOWERS, TWIN-COOLED™ - FLHTK, FLTRK
57200012	FAIRING, INNER - FLHT, FLHTK, FLHX, FLHXS AND FLH(2 OF 3)
57200017	FAIRING, INNER - FLHT, FLHTK, FLHX, FLHXS AND FLH(2 OF 3)
57200063	FAIRING, INNER - FLTRK, FLTRX AND FLTRXS (2 OF 2)
57200064	FAIRING, INNER - FLTRK, FLTRX AND FLTRXS (2 OF 2)
57200065	COVERS AND AIR DEFLECTORS LOOSE PARTS (3 OF 3)
57200066	COVERS AND AIR DEFLECTORS LOOSE PARTS (3 OF 3)
57200269	COOLANT DISTRIBUTION - AIR-COOLED
57300063	MIRRORS

57300388	FAIRING, INNER - FLTRK, FLTRX AND FLTRXS (2 OF 2)
57400001	WINDSHIELD, FAIRING AND HEADLAMP - FLHT, FLHTK, FLHX, FLHXS AND FLH (2 OF 2) WINDSHIELD, FAIRING AND HEADLAMP - FLHT, FLHTK, FLHX, FLHXS AND FLH (2 OF 2) LOOSE PARTS (1 OF 3) LOOSE PARTS (1 OF 3) LOOSE PARTS (2 OF 3) LOOSE PARTS (2 OF 3)
57400002	WINDSHIELD, FAIRING AND HEADLAMP - FLHT, FLHTK, FLHX, FLHXS AND FLH (2 OF 2) LOOSE PARTS (1 OF 3) LOOSE PARTS (2 OF 3)
57400003	WINDSHIELD, FAIRING AND HEADLAMP - FLHT, FLHTK, FLHX, FLHXS AND FLH (2 OF 2) LOOSE PARTS (3 OF 3) LOOSE PARTS (3 OF 3)
57400004	WINDSHIELD, FAIRING AND HEADLAMP - FLHT, FLHTK, FLHX, FLHXS AND FLH (2 OF 2) LOOSE PARTS (3 OF 3)
57400005	WINDSHIELD - FLHR
57400058	WINDSHIELD, FAIRING AND HEADLAMP - FLHT, FLHTK, FLHX, FLHXS AND FLH (2 OF 2) LOOSE PARTS (1 OF 3) LOOSE PARTS (3 OF 3)
57400187	WINDSHIELD, FAIRING AND HEADLAMP - FLTRK, FLTRX AND FLTRXS (1 OF 2)
57400191	WINDSHIELD, FAIRING AND HEADLAMP - FLTRK, FLTRX AND FLTRXS (2 OF 2)
57400250	WINDSHIELD, FAIRING AND HEADLAMP - FLHT, FLHTK, FLHX, FLHXS AND FLH (2 OF 2)
57400260	WINDSHIELD, FAIRING AND HEADLAMP - FLTRK, FLTRX AND FLTRXS (2 OF 2) LOOSE PARTS (3 OF 3)
57400262	WINDSHIELD, FAIRING AND HEADLAMP - FLTRK, FLTRX AND FLTRXS (2 OF 2) LOOSE PARTS (3 OF 3)
57400302	WINDSHIELD, FAIRING AND HEADLAMP - FLTRK, FLTRX AND FLTRXS (2 OF 2) LOOSE PARTS (2 OF 3)
57400303	LOOSE PARTS (2 OF 3)
57400305	WINDSHIELD, FAIRING AND HEADLAMP - FLTRK, FLTRX AND FLTRXS (2 OF 2) LOOSE PARTS (3 OF 3)
57400308	WINDSHIELD, FAIRING AND HEADLAMP - FLTRK, FLTRX AND FLTRXS (2 OF 2) LOOSE PARTS (3 OF 3)
57400309	WINDSHIELD, FAIRING AND HEADLAMP - FLTRK, FLTRX AND FLTRXS (2 OF 2) LOOSE PARTS (3 OF 3)
57400441	WINDSHIELD, FAIRING AND HEADLAMP - FLHT, FLHTK, FLHX, FLHXS AND FLH (2 OF 2)
57450-14	HANDLEBAR
57451-14	HANDLEBAR
57638-08	FAIRING, INNER - FLHT, FLHTK, FLHX, FLHXS AND FLH (1 OF 3)
57668-10	WINDSHIELD - FLHR

	LOOSE PARTS (2 OF 3)
57978-00	TOUR-PAK (BOTTOM)
57994-94	WINDSHIELD - FLHR LOOSE PARTS (2 OF 3)
58002-09A	LOOSE PARTS (1 OF 3) LOOSE PARTS (2 OF 3) LOOSE PARTS (2 OF 3) LOOSE PARTS (3 OF 3) LOOSE PARTS (3 OF 3) LOOSE PARTS (3 OF 3)
58084-94	WINDSHIELD - FLHR
58088-94	WINDSHIELD - FLHR
58167-09A	COVERS AND AIR DEFLECTORS COVERS AND AIR DEFLECTORS
58169-09	COVERS AND AIR DEFLECTORS COVERS AND AIR DEFLECTORS
58193-94	WINDSHIELD - FLHR
58325-06	WINDSHIELD - FLHR LOOSE PARTS (2 OF 3)
58327-06	WINDSHIELD - FLHR
5837B	TRANSMISSION GEARS
58406-75A	WINDSHIELD - FLHR
58408-75A	WINDSHIELD - FLHR
58416-77A	WINDSHIELD - FLHR
58417-77	WINDSHIELD - FLHR
58428-94	WINDSHIELD - FLHR
58431-94	WINDSHIELD - FLHR
58702-09A	FENDERS, REAR FENDERS, REAR
58888-98A	FAIRING, INNER - FLTRK, FLTRX AND FLTRXS (1 OF 2)
58900009	FENDERS, FRONT
58900032	FENDERS, FRONT
59211-74A	FENDERS, FRONT
59259-90	LICENSE PLATE BRACKETS
59292-94	FRAME AND FORK, REAR AND TOUR-PAK SUPPORT LOOSE PARTS (2 OF 3) LOOSE PARTS (3 OF 3)

59481-00	FORK, FRONT
59482-00	FORK, FRONT
59500368A	FENDERS, REAR
59500519	FENDERS, REAR
59581-05	FENDERS, REAR FENDERS, REAR
59600003	FENDERS, FRONT
59600008	FENDERS, REAR
59600009	FENDERS, FRONT
59600011	FENDERS, FRONT
59600046	FENDERS, FRONT
59731-09A	FENDERS, REAR
59739-09	FENDERS, REAR
59749-06	FENDERS, REAR
59768-97	SEATS
59778-06	FENDERS, REAR
59786-01	FENDERS, REAR
59788-01	FENDERS, REAR
59818-09	FENDERS, REAR
59988-72A	LICENSE PLATE BRACKETS
601	CAMSHAFTS AND CAMSHAFT COVER (1 OF 2)
6019	HORN
6026	SEATS
60328-98B	TRANSMISSION HOUSING, COVER AND OIL PAN PRIMARY HOUSING
6036	COVERS AND AIR DEFLECTORS COVERS AND AIR DEFLECTORS
60386-09	BELT, CHAIN AND SPROCKETS
6054	WINDSHIELD, FAIRING AND HEADLAMP - FLTRK, FLTRX AND FLTRXS (1 OF 2) LOOSE PARTS (2 OF 3)
60575-10A	FENDERS, REAR
60678-85	PRIMARY HOUSING
6072	AUXILIARY/FOG LAMPS AND TURN SIGNALS, FRONT - FLHR

60800006	EVAPORATIVE EMISSIONS COMPONENTS
60800062	EVAPORATIVE EMISSIONS COMPONENTS
60800063	EVAPORATIVE EMISSIONS COMPONENTS
60900036	FUEL PUMP - FLHT, FLHTK, FLHX, FLH, FLTRK ANDFLTRX
60907-09	LICENSE PLATE BRACKETS
60909-09	LICENSE PLATE BRACKETS
60918-10A	LICENSE PLATE BRACKETS
61000690	FUEL TANK - FLHR, FLHRXS, FLHXS AND FLTRXS
61000691	FUEL TANK - FLHR, FLHRXS, FLHXS AND FLTRXS
6101	CLUTCH CONTROL BRAKE CONTROL, FRONT
61011-04A	FUEL PUMP - FLHT, FLHTK, FLHX, FLH, FLTRK ANDFLTRX FUEL PUMP - FLHR, FLHRXS, FLHXS AND FLTRXS
61012-04A	FUEL PUMP - FLHT, FLHTK, FLHX, FLH, FLTRK ANDFLTRX FUEL PUMP - FLHR, FLHRXS, FLHXS AND FLTRXS
61015-04A	FUEL PUMP - FLHT, FLHTK, FLHX, FLH, FLTRK ANDFLTRX FUEL PUMP - FLHR, FLHRXS, FLHXS AND FLTRXS
61029-92A	CONSOLE, FUEL TANK - FLHT, FLHTK, FLHX, FLH, FLTRK AND FLTRX (1 OF 2)
61081-92	CONSOLE, FUEL TANK - FLHT, FLHTK, FLHX, FLH, FLTRK AND FLTRX (1 OF 2) INSTRUMENTS, FUEL TANK - FLHR AND FLHRXS NACELLE AND HEADLAMP - FLHR AND FLHRXS (1 OF 2) SWITCHES (1 OF 2) TOUR-PAK (BOTTOM)
6109	HORN
61100065	FUEL TANK - FLHR, FLHRXS, FLHXS AND FLTRXS
61100093A	FUEL TANK - FLHR, FLHRXS, FLHXS AND FLTRXS
61100120A	FUEL TANK - FLHR, FLHRXS, FLHXS AND FLTRXS
61100122A	FUEL TANK - FLHR, FLHRXS, FLHXS AND FLTRXS
61100123A	FUEL TANK - FLHR, FLHRXS, FLHXS AND FLTRXS
61100124A	FUEL TANK - FLHR, FLHRXS, FLHXS AND FLTRXS
61109-85D	FUEL TANK - FLHR, FLHRXS, FLHXS AND FLTRXS CONSOLE, FUEL TANK - FLHT, FLHTK, FLHX, FLH, FLTRK AND FLTRX (1 OF 2)
61112-08	CONSOLE, FUEL TANK - FLHT, FLHTK, FLHX, FLH, FLTRK AND FLTRX (1 OF 2)
6113	LAMPS AND SPEAKER HOUSINGS, ULTRA TOUR-PAK (1 OF 2)
6116	FRAME AND JIFFY STAND - FLHRXS, FLHXS, FLTRXS FRAME AND JIFFY STAND - FLHR, FLHT, FLHTK, FLHX, FLH, FLTRK, FLTRX (1 OF 2)

6119	WINDSHIELD - FLHR
61192-96A	INSTRUMENTS, FUEL TANK - FLHR AND FLHRXS
61200022A	INDUCTION MODULE, FUEL FUEL TANK - FLHT, FLHTK, FLHX, FLH, FLTRK AND FLTRX FUEL TANK - FLHR, FLHRXS, FLHXS AND FLTRXS
61213-04A	FUEL PUMP - FLHT, FLHTK, FLHX, FLH, FLTRK AND FLTRX FUEL PUMP - FLHR, FLHRXS, FLHXS AND FLTRXS
6127	ENGINE MOUNTS AND STABILIZER LINK
61270-08	CONSOLE, FUEL TANK - FLHT, FLHTK, FLHX, FLH, FLTRK AND FLTRX (1 OF 2)
61272-92E	FUEL TANK - FLHR, FLHRXS, FLHXS AND FLTRXS
61274-92	CONSOLE, FUEL TANK - FLHT, FLHTK, FLHX, FLH, FLTRK AND FLTRX (1 OF 2)
61278-08A	CONSOLE, FUEL TANK - FLHT, FLHTK, FLHX, FLH, FLTRK AND FLTRX (1 OF 2)
61300095	NACELLE AND HEADLAMP - FLHR AND FLHRXS (1 OF 2)
61300096	NACELLE AND HEADLAMP - FLHR AND FLHRXS (1 OF 2)
61300097	NACELLE AND HEADLAMP - FLHR AND FLHRXS (1 OF 2)
61300098	NACELLE AND HEADLAMP - FLHR AND FLHRXS (1 OF 2)
61300467	AIR CLEANER - FLHR, FLHT, FLHTK, FLHX, FLTRK, FLTRX
61300523A	HORN
61300626A	HORN
61300721	AIR CLEANER - FLHRXS, FLHXS, FLH, FLTRXS LOOSE PARTS (2 OF 3) LOOSE PARTS (3 OF 3) LOOSE PARTS (3 OF 3)
61300750	AIR CLEANER - FLHRXS, FLHXS, FLH, FLTRXS
61300751	AIR CLEANER - FLHRXS, FLHXS, FLH, FLTRXS
61300922	AIR CLEANER - FLHR, FLHT, FLHTK, FLHX, FLTRK, FLTRX
61300935	AIR CLEANER - FLHR, FLHT, FLHTK, FLHX, FLTRK, FLTRX
61301131	AIR CLEANER - FLHR, FLHT, FLHTK, FLHX, FLTRK, FLTRX
61313-88	CONSOLE, FUEL TANK - FLHT, FLHTK, FLHX, FLH, FLTRK AND FLTRX (1 OF 2) FAIRING, INNER - FLTRK, FLTRX AND FLTRXS (1 OF 2)
61356-08	FUEL TANK - FLHT, FLHTK, FLHX, FLH, FLTRK AND FLTRX
61400057	FENDERS, FRONT
61400063	FAIRING, INNER - FLHT, FLHTK, FLHX, FLHXS AND FLH(2 OF 3)
61400064	FAIRING, INNER - FLHT, FLHTK, FLHX, FLHXS AND FLH(2 OF 3)

61400077	NACELLE AND HEADLAMP - FLHR AND FLHRXS (1 OF 2)
61400080	INSTRUMENTS - FLHT, FLHTK, FLHX, FLHXS AND FLH INSTRUMENTS - FLTRK, FLTRX AND FLTRXS
61400081	INSTRUMENTS - FLHT, FLHTK, FLHX, FLHXS AND FLH INSTRUMENTS - FLTRK, FLTRX AND FLTRXS
61400135	WINDSHIELD, FAIRING AND HEADLAMP - FLHT, FLHTK, FLHX, FLHXS AND FLH (2 OF 2)
61400159	NACELLE AND HEADLAMP - FLHR AND FLHRXS (2 OF 2) LOOSE PARTS (2 OF 3) LOOSE PARTS (3 OF 3)
61400173	WINDSHIELD, FAIRING AND HEADLAMP - FLTRK, FLTRX AND FLTRXS (2 OF 2)
61400198	WINDSHIELD, FAIRING AND HEADLAMP - FLTRK, FLTRX AND FLTRXS (2 OF 2)
61400498	NACELLE AND HEADLAMP - FLHR AND FLHRXS (1 OF 2)
61400549	TOUR-PAK (BOTTOM)
61400550	TOUR-PAK (BOTTOM)
61400670	INSTRUMENTS - FLHT, FLHTK, FLHX, FLHXS AND FLH INSTRUMENTS - FLTRK, FLTRX AND FLTRXS
61400671	INSTRUMENTS - FLHT, FLHTK, FLHX, FLHXS AND FLH INSTRUMENTS - FLTRK, FLTRX AND FLTRXS
61400686	CONSOLE, FUEL TANK - FLHXS, FLTRXS
61402-08	FUEL PUMP - FLHT, FLHTK, FLHX, FLH, FLTRK AND FLTRX FUEL PUMP - FLHR, FLHRXS, FLHXS AND FLTRXS
6150W	NACELLE AND HEADLAMP - FLHR AND FLHRXS (1 OF 2) SWITCHES (1 OF 2)
62152-08	FUEL TANK TRIM (1 OF 2) LOOSE PARTS (1 OF 3)
62153-08	FUEL TANK TRIM (1 OF 2) LOOSE PARTS (1 OF 3)
6220W	BRAKE CONTROL, REAR LAMPS AND SPEAKER HOUSINGS, ULTRA TOUR-PAK (1 OF 2)
62228-08C	FUEL TANK - FLHT, FLHTK, FLHX, FLH, FLTRK AND FLTRX FUEL TANK - FLHR, FLHRXS, FLHXS AND FLTRXS
62229-08B	FUEL PUMP - FLHT, FLHTK, FLHX, FLH, FLTRK AND FLTRX FUEL PUMP - FLHR, FLHRXS, FLHXS AND FLTRXS
62241-08	FUEL TANK TRIM (1 OF 2) LOOSE PARTS (1 OF 3)
62242-08	FUEL TANK TRIM (1 OF 2) LOOSE PARTS (1 OF 3)
62243-08	FUEL TANK TRIM (1 OF 2) LOOSE PARTS (1 OF 3)

6235	FAIRING, LOWERS, TWIN-COOLED™ - FLHTK, FLTRK
62400055	CAMSHAFTS AND CAMSHAFT COVER (2 OF 2)
62400126	CAMSHAFTS AND CAMSHAFT COVER (2 OF 2)
62400205	CAMSHAFTS AND CAMSHAFT COVER (2 OF 2)
62400233	CAMSHAFTS AND CAMSHAFT COVER (2 OF 2)
62400238	CAMSHAFTS AND CAMSHAFT COVER (2 OF 2)
62400242	CAMSHAFTS AND CAMSHAFT COVER (2 OF 2)
62400245	CAMSHAFTS AND CAMSHAFT COVER (2 OF 2)
62519-03	INSTRUMENTS, FUEL TANK - FLHR AND FLHRXS
62700089	CRANKCASE
62700117	CRANKCASE
62700136	TRANSMISSION HOUSING, COVER AND OIL PAN
62700141	SENSORS AND SWITCHES, ENGINE
62700143	COOLANT DISTRIBUTION - AIR-COOLED
62700144	COOLANT DISTRIBUTION - AIR-COOLED
62700146	COOLING SYSTEM, ENGINE, AIR-COOLED TRANSMISSION BEARINGS AND COVERS
62700150	TRANSMISSION BEARINGS AND COVERS
62700161	COOLING SYSTEM, ENGINE, AIR-COOLED
62700196	COOLANT DISTRIBUTION - AIR-COOLED
62700227	COOLANT DISTRIBUTION - AIR-COOLED
62700296	CRANKCASE
62775-08	CONSOLE, FUEL TANK - FLHT, FLHTK, FLHX, FLH, FLTRK AND FLTRX (2 OF 2) CONSOLE, FUEL TANK - FLHXS, FLTRXS INSTRUMENTS, FUEL TANK - FLHR AND FLHRXS
62800004	RADIATOR, COOLANT HOSES AND BOTTLE - TWIN-COOLED™
62800013	CRANKCASE SENSORS AND SWITCHES, ENGINE
62800028	COOLING SYSTEM, ENGINE, AIR-COOLED
62800259	COOLING SYSTEM, ENGINE, AIR-COOLED
62908-08	FUEL PUMP - FLHT, FLHTK, FLHX, FLH, FLTRK AND FLTRX FUEL PUMP - FLHR, FLHRXS, FLHXS AND FLTRXS
6333	SEAT- FLH INSTRUMENT HOUSING - FLTRK, FLTRX AND FLTRXS

	NACELLE AND HEADLAMP - FLHR AND FLHRXS (1 OF 2)
63603-05	CONSOLE, FUEL TANK - FLHT, FLHTK, FLHX, FLH, FLTRK AND FLTRX (1 OF 2)
6416	BRAKE CONTROL, REAR
6421	BRAKE CONTROL, REAR
64900235B	EXHAUST SYSTEM (1 OF 2)
64900236A	EXHAUST SYSTEM (1 OF 2)
64900237A	EXHAUST SYSTEM (1 OF 2)
64900238	EXHAUST SYSTEM (1 OF 2)
64900239A	EXHAUST SYSTEM (1 OF 2)
64900240	EXHAUST SYSTEM (1 OF 2)
64900765B	EXHAUST SYSTEM (1 OF 2)
64900766A	EXHAUST SYSTEM (1 OF 2)
64900767A	EXHAUST SYSTEM (1 OF 2)
64900768	EXHAUST SYSTEM (2 OF 2)
64900769A	EXHAUST SYSTEM (1 OF 2)
64900770	EXHAUST SYSTEM (1 OF 2)
64900814	EXHAUST SYSTEM (1 OF 2)
64900815A	EXHAUST SYSTEM (1 OF 2)
64900816	EXHAUST SYSTEM (2 OF 2)
64900817A	EXHAUST SYSTEM (1 OF 2)
64900952	EXHAUST SYSTEM (1 OF 2)
64900953	EXHAUST SYSTEM (1 OF 2)
64900954	EXHAUST SYSTEM (2 OF 2)
64900955	EXHAUST SYSTEM (1 OF 2)
6497HW	SHIFTER, GEAR
65296-95B	EXHAUST SYSTEM (2 OF 2)
6532	FRAME AND FORK, REAR AND TOUR-PAK SUPPORT
65324-83B	EXHAUST SYSTEM (1 OF 2)
65325-83A	EXHAUST SYSTEM (1 OF 2)
65328-83A	EXHAUST SYSTEM (1 OF 2)
65400176A	EXHAUST SYSTEM (2 OF 2)

65400177	EXHAUST SYSTEM (2 OF 2)
65400178	EXHAUST SYSTEM (2 OF 2)
65400179	EXHAUST SYSTEM (2 OF 2)
65400483A	EXHAUST SYSTEM (2 OF 2)
65400484	EXHAUST SYSTEM (2 OF 2)
65400485	EXHAUST SYSTEM (2 OF 2)
65400486	EXHAUST SYSTEM (2 OF 2)
65400545	EXHAUST SYSTEM (2 OF 2)
65400546	EXHAUST SYSTEM (2 OF 2)
65400547	EXHAUST SYSTEM (2 OF 2)
65400548	EXHAUST SYSTEM (2 OF 2)
65500042	EXHAUST SYSTEM (2 OF 2)
65500043A	EXHAUST SYSTEM (2 OF 2)
65600176	EXHAUST SYSTEM (2 OF 2)
65600177	EXHAUST SYSTEM (2 OF 2)
65600178A	EXHAUST SYSTEM (2 OF 2)
65600377	EXHAUST SYSTEM (2 OF 2)
65600379	EXHAUST SYSTEM (2 OF 2)
65723-85	EXHAUST SYSTEM (1 OF 2)
65724-85A	EXHAUST SYSTEM (1 OF 2)
65900015	EXHAUST SYSTEM (2 OF 2)
65900017	EXHAUST SYSTEM (2 OF 2)
65900056	EXHAUST SYSTEM (2 OF 2)
6590HW	SHOCK ABSORBERS, REAR
6594	WHEELS, FRONT (1 OF 2)
66000010A	BATTERY
66000066A	BATTERY
66000116	BATTERY
66000212A	BATTERY
66010-97E	BATTERY
66047-05	EXHAUST SYSTEM (2 OF 2)

66048-09A	COVERS AND AIR DEFLECTORS
66051-08	BATTERY
66250-09	COVERS AND AIR DEFLECTORS LOOSE PARTS (1 OF 3)
66290-06	TRANSMISSION HOUSING, COVER AND OIL PAN
66373-06	SWITCHES (1 OF 2)
66861-09B	EXHAUST SYSTEM (1 OF 2)
66881-09	EXHAUST SYSTEM (1 OF 2)
67015-02	TURN SIGNALS, FRONT - FLHRXS
6702	SHIFTER, GEAR SEAT- FLH
6703	FRAME AND JIFFY STAND - FLHRXS, FLHXS, FLTRXS SEATS FENDERS, REAR FAIRING, INNER - FLTRK, FLTRX AND FLTRXS (1 OF 2) TOUR-PAK (BOTTOM) TOUR-PAK (COVER) LOOSE PARTS (2 OF 3)
67208-08	INSTRUMENTS, FUEL TANK - FLHR AND FLHRXS
67266-94	FENDERS, REAR FENDERS, REAR FENDERS, REAR TAIL LAMP AND TURN SIGNALS, REAR - FLHT AND FLH TAIL LAMP AND TURN SIGNALS, REAR - FLHRXS, FLHX, FLHXS, FLTRX, FLTRXS
67341-04B	INSTRUMENTS, FUEL TANK - FLHR AND FLHRXS
67493-08	CONSOLE, FUEL TANK - FLHT, FLHTK, FLHX, FLH, FLTRK AND FLTRX (2 OF 2) CONSOLE, FUEL TANK - FLHXS, FLTRXS INSTRUMENTS, FUEL TANK - FLHR AND FLHRXS
67621-94	AUXILIARY/FOG LAMPS AND TURN SIGNALS, FRONT - FLHR WINDSHIELD - FLHR
67700060	WINDSHIELD, FAIRING AND HEADLAMP - FLHT, FLHTK, FLHX, FLHXS AND FLH (2 OF 2)
67700062	NACELLE AND HEADLAMP - FLHR AND FLHRXS (2 OF 2) WINDSHIELD, FAIRING AND HEADLAMP - FLHT, FLHTK, FLHX, FLHXS AND FLH (2 OF 2)
67700065	NACELLE AND HEADLAMP - FLHR AND FLHRXS (2 OF 2) WINDSHIELD, FAIRING AND HEADLAMP - FLHT, FLHTK, FLHX, FLHXS AND FLH (2 OF 2)
67700068	NACELLE AND HEADLAMP - FLHR AND FLHRXS (1 OF 2) WINDSHIELD, FAIRING AND HEADLAMP - FLHT, FLHTK, FLHX, FLHXS AND FLH (1 OF 2)
67700105	NACELLE AND HEADLAMP - FLHR AND FLHRXS (2 OF 2)
67700120	AUXILIARY/FOG LAMPS AND TURN SIGNALS, FRONT - FLHTK AND FLH (1 OF 2)
67700199	WINDSHIELD, FAIRING AND HEADLAMP - FLTRK, FLTRX AND FLTRXS (2 OF 2)

67700204	NACELLE AND HEADLAMP - FLHR AND FLHRXS (2 OF 2) WINDSHIELD, FAIRING AND HEADLAMP - FLHT, FLHTK, FLHX, FLHXS AND FLH (2 OF 2)
67700205	NACELLE AND HEADLAMP - FLHR AND FLHRXS (2 OF 2) WINDSHIELD, FAIRING AND HEADLAMP - FLHT, FLHTK, FLHX, FLHXS AND FLH (2 OF 2)
67700241	WINDSHIELD, FAIRING AND HEADLAMP - FLHT, FLHTK, FLHX, FLHXS AND FLH (2 OF 2)
67700249	NACELLE AND HEADLAMP - FLHR AND FLHRXS (2 OF 2) WINDSHIELD, FAIRING AND HEADLAMP - FLHT, FLHTK, FLHX, FLHXS AND FLH (2 OF 2)
67700268	WINDSHIELD, FAIRING AND HEADLAMP - FLHT, FLHTK, FLHX, FLHXS AND FLH (2 OF 2)
67700269	NACELLE AND HEADLAMP - FLHR AND FLHRXS (2 OF 2) WINDSHIELD, FAIRING AND HEADLAMP - FLHT, FLHTK, FLHX, FLHXS AND FLH (2 OF 2)
67700329	NACELLE AND HEADLAMP - FLHR AND FLHRXS (2 OF 2) WINDSHIELD, FAIRING AND HEADLAMP - FLHT, FLHTK, FLHX, FLHXS AND FLH (2 OF 2)
67700456	WINDSHIELD, FAIRING AND HEADLAMP - FLHT, FLHTK, FLHX, FLHXS AND FLH (2 OF 2)
67700457	NACELLE AND HEADLAMP - FLHR AND FLHRXS (2 OF 2) WINDSHIELD, FAIRING AND HEADLAMP - FLHT, FLHTK, FLHX, FLHXS AND FLH (2 OF 2)
67712-83B	NACELLE AND HEADLAMP - FLHR AND FLHRXS (1 OF 2) WINDSHIELD, FAIRING AND HEADLAMP - FLHT, FLHTK, FLHX, FLHXS AND FLH (1 OF 2)
67716-60C	NACELLE AND HEADLAMP - FLHR AND FLHRXS (1 OF 2) WINDSHIELD, FAIRING AND HEADLAMP - FLHT, FLHTK, FLHX, FLHXS AND FLH (1 OF 2)
67717-01	NACELLE AND HEADLAMP - FLHR AND FLHRXS (1 OF 2) WINDSHIELD, FAIRING AND HEADLAMP - FLHT, FLHTK, FLHX, FLHXS AND FLH (1 OF 2)
67721-48	NACELLE AND HEADLAMP - FLHR AND FLHRXS (1 OF 2) WINDSHIELD, FAIRING AND HEADLAMP - FLHT, FLHTK, FLHX, FLHXS AND FLH (1 OF 2)
67726-08	NACELLE AND HEADLAMP - FLHR AND FLHRXS (1 OF 2) WINDSHIELD, FAIRING AND HEADLAMP - FLHT, FLHTK, FLHX, FLHXS AND FLH (1 OF 2)
67778-60A	NACELLE AND HEADLAMP - FLHR AND FLHRXS (1 OF 2) WINDSHIELD, FAIRING AND HEADLAMP - FLHT, FLHTK, FLHX, FLHXS AND FLH (1 OF 2)
67780-60A	NACELLE AND HEADLAMP - FLHR AND FLHRXS (1 OF 2) WINDSHIELD, FAIRING AND HEADLAMP - FLHT, FLHTK, FLHX, FLHXS AND FLH (1 OF 2)
67800093	LAMPS AND SPEAKER HOUSINGS, ULTRA TOUR-PAK (2 OF 2)
67800101	LAMPS AND SPEAKER HOUSINGS, ULTRA TOUR-PAK (2 OF 2)
67800103	AUXILIARY/FOG LAMPS AND TURN SIGNALS, FRONT - FLHTK AND FLH (2 OF 2)
67800104	AUXILIARY/FOG LAMPS AND TURN SIGNALS, FRONT - FLHTK AND FLH (2 OF 2)
67800109	AUXILIARY/FOG LAMPS AND TURN SIGNALS, FRONT - FLHTK AND FLH (2 OF 2)
67800132	TAIL LAMP AND TURN SIGNALS, REAR - FLHRXS, FLHX, FLHXS, FLTRX, FLTRXS
67800147	WINDSHIELD, FAIRING AND HEADLAMP - FLTRK, FLTRX AND FLTRXS (2 OF 2)
67800148	WINDSHIELD, FAIRING AND HEADLAMP - FLTRK, FLTRX AND FLTRXS (2 OF 2)

67800299	WINDSHIELD, FAIRING AND HEADLAMP - FLTRK, FLTRX AND FLTRXS (2 OF 2)
67800300	WINDSHIELD, FAIRING AND HEADLAMP - FLTRK, FLTRX AND FLTRXS (2 OF 2)
67800301	WINDSHIELD, FAIRING AND HEADLAMP - FLTRK, FLTRX AND FLTRXS (2 OF 2)
67800302	WINDSHIELD, FAIRING AND HEADLAMP - FLTRK, FLTRX AND FLTRXS (2 OF 2)
67800303	WINDSHIELD, FAIRING AND HEADLAMP - FLTRK, FLTRX AND FLTRXS (2 OF 2)
67800471	WINDSHIELD, FAIRING AND HEADLAMP - FLTRK, FLTRX AND FLTRXS (2 OF 2)
67800483	TAIL LAMP AND TURN SIGNALS, REAR - FLHRXS, FLHX, FLHXS, FLTRX, FLTRXS
67800484	TAIL LAMP AND TURN SIGNALS, REAR - FLHRXS, FLHX, FLHXS, FLTRX, FLTRXS
67800485	TAIL LAMP AND TURN SIGNALS, REAR - FLHRXS, FLHX, FLHXS, FLTRX, FLTRXS
67800512	WINDSHIELD, FAIRING AND HEADLAMP - FLTRK, FLTRX AND FLTRXS (2 OF 2)
67800513	WINDSHIELD, FAIRING AND HEADLAMP - FLTRK, FLTRX AND FLTRXS (2 OF 2)
67800703	WINDSHIELD, FAIRING AND HEADLAMP - FLTRK, FLTRX AND FLTRXS (2 OF 2)
67800704	WINDSHIELD, FAIRING AND HEADLAMP - FLTRK, FLTRX AND FLTRXS (2 OF 2)
67800708	TURN SIGNALS, FRONT - FLHT, FLHX AND FLHXS
67800709	TURN SIGNALS, FRONT - FLHT, FLHX AND FLHXS
67800847	TAIL LAMP (1 OF 2) TAIL LAMP (1 OF 2)
67800900	TAIL LAMP AND TURN SIGNALS, REAR - FLHRXS, FLHX, FLHXS, FLTRX, FLTRXS
67800906	TURN SIGNALS, FRONT - FLHT, FLHX AND FLHXS WINDSHIELD, FAIRING AND HEADLAMP - FLTRK, FLTRX AND FLTRXS (2 OF 2)
67800908	TURN SIGNALS, FRONT - FLHT, FLHX AND FLHXS WINDSHIELD, FAIRING AND HEADLAMP - FLTRK, FLTRX AND FLTRXS (2 OF 2)
67801191	AUXILIARY/FOG LAMPS AND TURN SIGNALS, FRONT - FLHTK AND FLH (2 OF 2)
67801192	AUXILIARY/FOG LAMPS AND TURN SIGNALS, FRONT - FLHTK AND FLH (2 OF 2)
67801193	TURN SIGNALS, FRONT - FLHRXS
67801194	TURN SIGNALS, FRONT - FLHRXS
67822-88	TURN SIGNALS, FRONT - FLHRXS
67875-11	FRAME AND FORK, REAR AND TOUR-PAK SUPPORT
6789	NACELLE AND HEADLAMP - FLHR AND FLHRXS (1 OF 2)
67900009	LICENSE PLATE BRACKETS
67900065	SADDLEBAGS (1 OF 2)
67900066	SADDLEBAGS (1 OF 2)

67900067	SADDLEBAGS (1 OF 2)
67900068	SADDLEBAGS (1 OF 2)
67900213A	LICENSE PLATE BRACKETS
67900256	SADDLEBAGS (1 OF 2) SADDLEBAGS (1 OF 2)
67900445	LICENSE PLATE BRACKETS
67900582	FORK BRACKETS, FRONT
68000020	AUXILIARY/FOG LAMPS AND TURN SIGNALS, FRONT - FLHTK AND FLH (2 OF 2)
68000021	AUXILIARY/FOG LAMPS AND TURN SIGNALS, FRONT - FLHTK AND FLH (2 OF 2)
68000022	AUXILIARY/FOG LAMPS AND TURN SIGNALS, FRONT - FLHTK AND FLH (2 OF 2)
68000036	TURN SIGNALS, FRONT - FLHT, FLHX AND FLHXS
68000037	TURN SIGNALS, FRONT - FLHT, FLHX AND FLHXS
68000038	NACELLE AND HEADLAMP - FLHR AND FLHRXS (2 OF 2) WINDSHIELD, FAIRING AND HEADLAMP - FLHT, FLHTK, FLHX, FLHXS AND FLH (2 OF 2)
68000056	AUXILIARY/FOG LAMPS AND TURN SIGNALS, FRONT - FLHR AUXILIARY/FOG LAMPS AND TURN SIGNALS, FRONT - FLHTK AND FLH (2 OF 2)
68000102	AUXILIARY/FOG LAMPS AND TURN SIGNALS, FRONT - FLHTK AND FLH (2 OF 2)
68000103	AUXILIARY/FOG LAMPS AND TURN SIGNALS, FRONT - FLHTK AND FLH (2 OF 2)
68000174	AUXILIARY/FOG LAMPS AND TURN SIGNALS, FRONT - FLHTK AND FLH (2 OF 2)
68000264A	AUXILIARY/FOG LAMPS AND TURN SIGNALS, FRONT - FLHTK AND FLH (2 OF 2)
68000265A	AUXILIARY/FOG LAMPS AND TURN SIGNALS, FRONT - FLHTK AND FLH (2 OF 2)
68026-99	TAIL LAMP (1 OF 2) TAIL LAMP (1 OF 2)
68042-99	CRANKCASE
68066-99A	TAIL LAMP (1 OF 2) TAIL LAMP (1 OF 2)
68120-00	CAMSHAFTS AND CAMSHAFT COVER (1 OF 2)
68140-04	TAIL LAMP (1 OF 2)
68142-04	TAIL LAMP (1 OF 2)
68163-84	AUXILIARY/FOG LAMPS AND TURN SIGNALS, FRONT - FLHR AUXILIARY/FOG LAMPS AND TURN SIGNALS, FRONT - FLHTK AND FLH (1 OF 2) TURN SIGNALS, FRONT - FLHT, FLHX AND FLHXS TURN SIGNALS, FRONT - FLHRXS WINDSHIELD, FAIRING AND HEADLAMP - FLTRK, FLTRX AND FLTRXS (1 OF 2) TAIL LAMP AND TURN SIGNALS, REAR - FLHT AND FLH TAIL LAMP AND TURN SIGNALS, REAR - FLHR TAIL LAMP AND TURN SIGNALS, REAR - FLHTK, FLTRK (HDI)

68167-04	TAIL LAMP (1 OF 2) TAIL LAMP (1 OF 2)
68168-89A	AUXILIARY/FOG LAMPS AND TURN SIGNALS, FRONT - FLHR AUXILIARY/FOG LAMPS AND TURN SIGNALS, FRONT - FLHTK AND FLH (1 OF 2) TURN SIGNALS, FRONT - FLHT, FLHX AND FLHXS WINDSHIELD, FAIRING AND HEADLAMP - FLTRK, FLTRX AND FLTRXS (1 OF 2) TAIL LAMP AND TURN SIGNALS, REAR - FLHRXS, FLHX, FLHXS, FLTRX, FLTRXS
68245-03	TAIL LAMP (1 OF 2) TAIL LAMP (1 OF 2)
68253-08A	INSTRUMENTS, FUEL TANK - FLHR AND FLHRXS
68296-99A	TAIL LAMP (1 OF 2) TAIL LAMP (1 OF 2)
68331-02	AUXILIARY/FOG LAMPS AND TURN SIGNALS, FRONT - FLHR AUXILIARY/FOG LAMPS AND TURN SIGNALS, FRONT - FLHTK AND FLH (1 OF 2)
68369-03	TAIL LAMP (1 OF 2)
68370-03A	TAIL LAMP (2 OF 2) TAIL LAMP (2 OF 2) TAIL LAMP (2 OF 2)
68414-05A	AUXILIARY/FOG LAMPS AND TURN SIGNALS, FRONT - FLHR AUXILIARY/FOG LAMPS AND TURN SIGNALS, FRONT - FLHTK AND FLH (2 OF 2)
68440-86	AUXILIARY/FOG LAMPS AND TURN SIGNALS, FRONT - FLHR TAIL LAMP AND TURN SIGNALS, REAR - FLHR
68452-86	AUXILIARY/FOG LAMPS AND TURN SIGNALS, FRONT - FLHR TAIL LAMP AND TURN SIGNALS, REAR - FLHR
68497-07	TAIL LAMP AND TURN SIGNALS, REAR - FLHRXS, FLHX, FLHXS, FLTRX, FLTRXS
68505-90	AUXILIARY/FOG LAMPS AND TURN SIGNALS, FRONT - FLHR
68506-92	TAIL LAMP AND TURN SIGNALS, REAR - FLHR
68519-68A	AUXILIARY/FOG LAMPS AND TURN SIGNALS, FRONT - FLHR
68550-09	TAIL LAMP AND TURN SIGNALS, REAR - FLHT AND FLH TAIL LAMP AND TURN SIGNALS, REAR - FLHTK, FLTRK (HDI)
68558-03	TAIL LAMP (2 OF 2)
68559-07	TAIL LAMP AND TURN SIGNALS, REAR - FLHRXS, FLHX, FLHXS, FLTRX, FLTRXS
68572-64B	TAIL LAMP AND TURN SIGNALS, REAR - FLHT AND FLH TAIL LAMP AND TURN SIGNALS, REAR - FLHRXS, FLHX, FLHXS, FLTRX, FLTRXS TAIL LAMP AND TURN SIGNALS, REAR - FLHR
68629-05	TAIL LAMP AND TURN SIGNALS, REAR - FLHT AND FLH TAIL LAMP AND TURN SIGNALS, REAR - FLHRXS, FLHX, FLHXS, FLTRX, FLTRXS
68712-94A	AUXILIARY/FOG LAMPS AND TURN SIGNALS, FRONT - FLHR
68713-94A	TAIL LAMP AND TURN SIGNALS, REAR - FLHR

68720-62	AUXILIARY/FOG LAMPS AND TURN SIGNALS, FRONT - FLHR
68721-62	AUXILIARY/FOG LAMPS AND TURN SIGNALS, FRONT - FLHR
68725-62A	AUXILIARY/FOG LAMPS AND TURN SIGNALS, FRONT - FLHR AUXILIARY/FOG LAMPS AND TURN SIGNALS, FRONT - FLHTK AND FLH (1 OF 2)
68742-09	TAIL LAMP AND TURN SIGNALS, REAR - FLHR
68765-94A	TAIL LAMP AND TURN SIGNALS, REAR - FLHR
68766-94	AUXILIARY/FOG LAMPS AND TURN SIGNALS, FRONT - FLHR
68767-94	AUXILIARY/FOG LAMPS AND TURN SIGNALS, FRONT - FLHR
68776-06	TURN SIGNALS, FRONT - FLHRXS
68821-00	AUXILIARY/FOG LAMPS AND TURN SIGNALS, FRONT - FLHTK AND FLH (1 OF 2)
68830-99A	TAIL LAMP (2 OF 2) TAIL LAMP (2 OF 2)
68838-06	TURN SIGNALS, FRONT - FLHRXS
68846-09	AUXILIARY/FOG LAMPS AND TURN SIGNALS, FRONT - FLHR
68847-09	AUXILIARY/FOG LAMPS AND TURN SIGNALS, FRONT - FLHR AUXILIARY/FOG LAMPS AND TURN SIGNALS, FRONT - FLHTK AND FLH (2 OF 2)
68881-01	NACELLE AND HEADLAMP - FLHR AND FLHRXS (1 OF 2) WINDSHIELD, FAIRING AND HEADLAMP - FLHT, FLHTK, FLHX, FLHXS AND FLH (1 OF 2)
68904-00	AUXILIARY/FOG LAMPS AND TURN SIGNALS, FRONT - FLHTK AND FLH (1 OF 2) TURN SIGNALS, FRONT - FLHT, FLHX AND FLHXS TURN SIGNALS, FRONT - FLHRXS WINDSHIELD, FAIRING AND HEADLAMP - FLTRK, FLTRX AND FLTRXS (2 OF 2)
68905-00	TAIL LAMP AND TURN SIGNALS, REAR - FLHT AND FLH TAIL LAMP AND TURN SIGNALS, REAR - FLHRXS, FLHX, FLHXS, FLTRX, FLTRXS
68956-07	SWITCHES (1 OF 2)
68973-00	AUXILIARY/FOG LAMPS AND TURN SIGNALS, FRONT - FLHTK AND FLH (2 OF 2) TURN SIGNALS, FRONT - FLHT, FLHX AND FLHXS TURN SIGNALS, FRONT - FLHT, FLHX AND FLHXS TURN SIGNALS, FRONT - FLHRXS WINDSHIELD, FAIRING AND HEADLAMP - FLTRK, FLTRX AND FLTRXS (1 OF 2) WINDSHIELD, FAIRING AND HEADLAMP - FLTRK, FLTRX AND FLTRXS (1 OF 2) TAIL LAMP AND TURN SIGNALS, REAR - FLHT AND FLH TAIL LAMP AND TURN SIGNALS, REAR - FLHRXS, FLHX, FLHXS, FLTRX, FLTRXS TAIL LAMP AND TURN SIGNALS, REAR - FLHTK, FLTRK (HDI)
68997-09	TAIL LAMP AND TURN SIGNALS, REAR - FLHT AND FLH TAIL LAMP AND TURN SIGNALS, REAR - FLHTK, FLTRK (HDI)
69000083	HORN
69060-90H	HORN
69062-91A	HORN

69120-91	HORN
69123-92A	HORN
69187-03A	TAIL LAMP (2 OF 2)
69200031A	FAIRING, INNER - FLHT, FLHTK, FLHX, FLHXS AND FLH(2 OF 3)
69200032	WIRING HARNESS, MAIN - FLHTK (1 OF 10) WIRING HARNESS, MAIN - FLHTK (5 OF 10) SOUND SYSTEM - FLHTK, FLHX, FLHXS AND FLH (1 OF 2)
69200122A	INSTRUMENTS - FLTRK, FLTRX AND FLTRXS WIRING HARNESS, FAIRING - FLTRK, FLTRX AND FLTRXS
69200124	INSTRUMENTS, FUEL TANK - FLHR AND FLHRXS WIRING HARNESS, CONSOLE - FLHR AND FLHRXS
69200125	CONSOLE, FUEL TANK - FLHT, FLHTK, FLHX, FLH, FLTRK AND FLTRX (2 OF 2) CONSOLE, FUEL TANK - FLHXS, FLTRXS FUEL PUMP - FLHT, FLHTK, FLHX, FLH, FLTRK AND FLTRX
69200127	INTERCOM CONTROL POD
69200128	TAIL LAMP AND TURN SIGNALS, REAR - FLHT AND FLH TAIL LAMP AND TURN SIGNALS, REAR - FLHT AND FLH TAIL LAMP AND TURN SIGNALS, REAR - FLHR TAIL LAMP AND TURN SIGNALS, REAR - FLHTK, FLTRK (HDI) TAIL LAMP (2 OF 2)
69200129	TAIL LAMP AND TURN SIGNALS, REAR - FLHRXS, FLHX, FLHXS, FLTRX, FLTRXS
69200130	TAIL LAMP AND TURN SIGNALS, REAR - FLHT AND FLH TAIL LAMP AND TURN SIGNALS, REAR - FLHRXS, FLHX, FLHXS, FLTRX, FLTRXS
69200131	LAMPS AND SPEAKER HOUSINGS, ULTRA TOUR-PAK (2 OF 2)
69200135	LAMPS AND SPEAKER HOUSINGS, ULTRA TOUR-PAK (2 OF 2)
69200136	WIRING HARNESS, MAIN - FLHTK (1 OF 10) WIRING HARNESS, MAIN - FLHTK (5 OF 10) SOUND SYSTEM - FLHTK, FLHX, FLHXS AND FLH (1 OF 2)
69200138	LAMPS AND SPEAKER HOUSINGS, ULTRA TOUR-PAK (2 OF 2)
69200139	LAMPS AND SPEAKER HOUSINGS, ULTRA TOUR-PAK (2 OF 2)
69200170	FAIRING, INNER - FLHT, FLHTK, FLHX, FLHXS AND FLH(2 OF 3) FAIRING, INNER - FLTRK, FLTRX AND FLTRXS (2 OF 2)
69200171	FAIRING, INNER - FLHT, FLHTK, FLHX, FLHXS AND FLH(2 OF 3) FAIRING, INNER - FLTRK, FLTRX AND FLTRXS (2 OF 2)
69200172	FAIRING, INNER - FLHT, FLHTK, FLHX, FLHXS AND FLH (3 OF 3)
69200173A	FAIRING, INNER - FLHT, FLHTK, FLHX, FLHXS AND FLH (3 OF 3)
69200175	WIRING HARNESS, MAIN - FLHT, FLHX, FLHXS AND FLH (6 OF 10) WIRING HARNESS, MAIN - FLHTK (6 OF 10) WIRING HARNESS, MAIN - FLHR, FLHRXS (6 OF 10) WIRING HARNESS, MAIN - FLTRX, FLTRXS (6 OF 10)

	<u>WIRING HARNESS, MAIN - FLTRK (6 OF 10)</u>
69200179	<u>SWITCHES, HANDLEBAR, RIGHT - EXCEPT FLHRXS</u>
69200183	<u>WIRING HARNESS, MAIN - FLHT, FLHX, FLHXS AND FLH (7 OF 10)</u> <u>WIRING HARNESS, MAIN - FLHTK (7 OF 10)</u> <u>WIRING HARNESS, MAIN - FLHR, FLHRXS (7 OF 10)</u> <u>WIRING HARNESS, MAIN - FLTRX, FLTRXS (7 OF 10)</u> <u>WIRING HARNESS, MAIN - FLTRK (7 OF 10)</u>
69200184	<u>WIRING HARNESS, MAIN - FLHT, FLHX, FLHXS AND FLH (7 OF 10)</u> <u>WIRING HARNESS, MAIN - FLHTK (7 OF 10)</u> <u>WIRING HARNESS, MAIN - FLHR, FLHRXS (7 OF 10)</u> <u>WIRING HARNESS, MAIN - FLTRX, FLTRXS (7 OF 10)</u>
69200185	<u>WIRING HARNESS, MAIN - FLHT, FLHX, FLHXS AND FLH (7 OF 10)</u> <u>WIRING HARNESS, MAIN - FLHTK (7 OF 10)</u> <u>WIRING HARNESS, MAIN - FLHR, FLHRXS (7 OF 10)</u> <u>WIRING HARNESS, MAIN - FLTRX, FLTRXS (7 OF 10)</u> <u>WIRING HARNESS, MAIN - FLTRK (7 OF 10)</u>
69200186	<u>WIRING HARNESS, MAIN - FLHT, FLHX, FLHXS AND FLH (7 OF 10)</u> <u>WIRING HARNESS, MAIN - FLHTK (7 OF 10)</u> <u>WIRING HARNESS, MAIN - FLHR, FLHRXS (7 OF 10)</u> <u>WIRING HARNESS, MAIN - FLTRX, FLTRXS (7 OF 10)</u> <u>WIRING HARNESS, MAIN - FLTRK (7 OF 10)</u>
69200187	<u>WIRING HARNESS, MAIN - FLHT, FLHX, FLHXS AND FLH (7 OF 10)</u> <u>WIRING HARNESS, MAIN - FLHTK (7 OF 10)</u> <u>WIRING HARNESS, MAIN - FLHR, FLHRXS (7 OF 10)</u> <u>WIRING HARNESS, MAIN - FLTRX, FLTRXS (7 OF 10)</u> <u>WIRING HARNESS, MAIN - FLTRK (7 OF 10)</u>
69200188	<u>WIRING HARNESS, MAIN - FLHT, FLHX, FLHXS AND FLH (7 OF 10)</u> <u>WIRING HARNESS, MAIN - FLHTK (7 OF 10)</u> <u>WIRING HARNESS, MAIN - FLHR, FLHRXS (7 OF 10)</u> <u>WIRING HARNESS, MAIN - FLTRX, FLTRXS (7 OF 10)</u> <u>WIRING HARNESS, MAIN - FLTRK (7 OF 10)</u>
69200189	<u>WIRING HARNESS, MAIN - FLHT, FLHX, FLHXS AND FLH (7 OF 10)</u> <u>WIRING HARNESS, MAIN - FLHTK (7 OF 10)</u> <u>WIRING HARNESS, MAIN - FLHR, FLHRXS (7 OF 10)</u> <u>WIRING HARNESS, MAIN - FLTRX, FLTRXS (7 OF 10)</u> <u>WIRING HARNESS, MAIN - FLTRK (7 OF 10)</u>
69200190	<u>WIRING HARNESS, MAIN - FLHT, FLHX, FLHXS AND FLH (7 OF 10)</u> <u>WIRING HARNESS, MAIN - FLHTK (7 OF 10)</u> <u>WIRING HARNESS, MAIN - FLHR, FLHRXS (7 OF 10)</u> <u>WIRING HARNESS, MAIN - FLTRX, FLTRXS (7 OF 10)</u> <u>WIRING HARNESS, MAIN - FLTRK (7 OF 10)</u>
69200191	<u>WIRING HARNESS, MAIN - FLHT, FLHX, FLHXS AND FLH (7 OF 10)</u> <u>WIRING HARNESS, MAIN - FLHTK (7 OF 10)</u> <u>WIRING HARNESS, MAIN - FLHR, FLHRXS (7 OF 10)</u> <u>WIRING HARNESS, MAIN - FLTRX, FLTRXS (7 OF 10)</u> <u>WIRING HARNESS, MAIN - FLTRK (7 OF 10)</u>
69200193	<u>WIRING HARNESS, MAIN - FLHT, FLHX, FLHXS AND FLH (2 OF 10)</u> <u>WIRING HARNESS, MAIN - FLHTK (2 OF 10)</u> <u>WIRING HARNESS, MAIN - FLTRX, FLTRXS (2 OF 10)</u> <u>WIRING HARNESS, MAIN - FLTRK (2 OF 10)</u>

69200194	WIRING HARNESS, MAIN - FLHT, FLHX, FLHXS AND FLH (9 OF 10) WIRING HARNESS, MAIN - FLHTK (9 OF 10) WIRING HARNESS, MAIN - FLHR, FLHRXS (9 OF 10) WIRING HARNESS, MAIN - FLTRX, FLTRXS (9 OF 10) WIRING HARNESS, MAIN - FLTRK (9 OF 10)
69200199	AUXILIARY/FOG LAMPS AND TURN SIGNALS, FRONT - FLHTK AND FLH (2 OF 2) WIRING HARNESS, MAIN - FLHT, FLHX, FLHXS AND FLH (9 OF 10) WIRING HARNESS, MAIN - FLHTK (9 OF 10) WIRING HARNESS, MAIN - FLHR, FLHRXS (9 OF 10) WIRING HARNESS, MAIN - FLTRX, FLTRXS (9 OF 10) WIRING HARNESS, MAIN - FLTRK (9 OF 10)
69200201	WIRING HARNESS, MAIN - FLHT, FLHX, FLHXS AND FLH (1 OF 10) WIRING HARNESS, MAIN - FLHTK (1 OF 10) WIRING HARNESS, MAIN - FLTRX, FLTRXS (1 OF 10) WIRING HARNESS, MAIN - FLTRK (1 OF 10)
69200205	WIRING HARNESS, MAIN - FLHT, FLHX, FLHXS AND FLH (2 OF 10) WIRING HARNESS, MAIN - FLHTK (2 OF 10) WIRING HARNESS, MAIN - FLTRX, FLTRXS (2 OF 10) WIRING HARNESS, MAIN - FLTRK (2 OF 10)
69200210	ANTENNAS LAMPS AND SPEAKER HOUSINGS, ULTRA TOUR-PAK (2 OF 2)
69200211	ANTENNAS LAMPS AND SPEAKER HOUSINGS, ULTRA TOUR-PAK (2 OF 2)
69200212	WIRING HARNESS, MAIN - FLHT, FLHX, FLHXS AND FLH (10 OF 10) WIRING HARNESS, MAIN - FLHTK (10 OF 10) WIRING HARNESS, MAIN - FLHR, FLHRXS (10 OF 10) WIRING HARNESS, MAIN - FLTRX, FLTRXS (10 OF 10) WIRING HARNESS, MAIN - FLTRK (10 OF 10)
69200214	WIRING HARNESS, MAIN - FLHT, FLHX, FLHXS AND FLH (1 OF 10) WIRING HARNESS, MAIN - FLHTK (1 OF 10)
69200220	WINDSHIELD, FAIRING AND HEADLAMP - FLHT, FLHTK, FLHX, FLHXS AND FLH (2 OF 2) WIRING HARNESS, MAIN - FLHR, FLHRXS (2 OF 10)
69200221	WINDSHIELD, FAIRING AND HEADLAMP - FLHT, FLHTK, FLHX, FLHXS AND FLH (2 OF 2) WIRING HARNESS, MAIN - FLHR, FLHRXS (2 OF 10)
69200222	WINDSHIELD, FAIRING AND HEADLAMP - FLHT, FLHTK, FLHX, FLHXS AND FLH (2 OF 2) WIRING HARNESS, MAIN - FLHR, FLHRXS (2 OF 10)
69200223	WINDSHIELD, FAIRING AND HEADLAMP - FLHT, FLHTK, FLHX, FLHXS AND FLH (2 OF 2)
69200224	FORK BRACKETS, FRONT HANDLEBAR
69200225	LAMPS AND SPEAKER HOUSINGS, ULTRA TOUR-PAK (2 OF 2)
69200226	LAMPS AND SPEAKER HOUSINGS, ULTRA TOUR-PAK (2 OF 2)
69200237	LAMPS AND SPEAKER HOUSINGS, ULTRA TOUR-PAK (2 OF 2)
69200238	WIRING HARNESS, MAIN - FLHT, FLHX, FLHXS AND FLH (8 OF 10) WIRING HARNESS, MAIN - FLHTK (8 OF 10) WIRING HARNESS, MAIN - FLHR, FLHRXS (8 OF 10)

	WIRING HARNESS, MAIN - FLTRX, FLTRXS (8 OF 10) WIRING HARNESS, MAIN - FLTRK (8 OF 10)
69200247	SOUND SYSTEM - FLHTK, FLHX, FLHXS AND FLH (1 OF 2)
69200248	FAIRING, INNER - FLTRK, FLTRX AND FLTRXS (2 OF 2)
69200254	WIRING HARNESS, FAIRING - FLHT, FLHX, FLHXS AND FLH WIRING HARNESS, FAIRING - FLHTK WIRING HARNESS, FAIRING - FLTRK, FLTRX AND FLTRXS
69200255	WINDSHIELD, FAIRING AND HEADLAMP - FLHT, FLHTK, FLHX, FLHXS AND FLH (2 OF 2)
69200256	WINDSHIELD, FAIRING AND HEADLAMP - FLHT, FLHTK, FLHX, FLHXS AND FLH (2 OF 2) WIRING HARNESS, FAIRING - FLHT, FLHX, FLHXS AND FLH WIRING HARNESS, FAIRING - FLHTK WIRING HARNESS, FAIRING - FLTRK, FLTRX AND FLTRXS
69200257	INSTRUMENTS - FLHT, FLHTK, FLHX, FLHXS AND FLH INSTRUMENTS - FLTRK, FLTRX AND FLTRXS
69200258	INSTRUMENTS - FLHT, FLHTK, FLHX, FLHXS AND FLH INSTRUMENTS - FLTRK, FLTRX AND FLTRXS
69200271	RADIATOR, COOLANT HOSES AND BOTTLE - TWIN-COOLED™ WIRING HARNESS, FAIRING - FLHT, FLHX, FLHXS AND FLH WIRING HARNESS, FAIRING - FLHTK WIRING HARNESS, FAIRING - FLTRK, FLTRX AND FLTRXS SOUND SYSTEM - FLHTK, FLHX, FLHXS AND FLH (2 OF 2)
69200272	WIRING HARNESS, MAIN - FLHTK (8 OF 10) WIRING HARNESS, MAIN - FLTRK (8 OF 10) WIRING HARNESS, FAIRING - FLHT, FLHX, FLHXS AND FLH SOUND SYSTEM - FLHTK, FLHX, FLHXS AND FLH (1 OF 2) SOUND SYSTEM - FLTRK, FLTRX AND FLTRXS (1 OF 2)
69200284A	WIRING HARNESS, MAIN - FLHR, FLHRXS (1 OF 10)
69200285	WIRING HARNESS, MAIN - FLHR, FLHRXS (2 OF 10)
69200293	WIRING HARNESS, MAIN - FLHT, FLHX, FLHXS AND FLH (9 OF 10) WIRING HARNESS, MAIN - FLHTK (9 OF 10) WIRING HARNESS, MAIN - FLHR, FLHRXS (9 OF 10) WIRING HARNESS, MAIN - FLTRX, FLTRXS (9 OF 10) WIRING HARNESS, MAIN - FLTRK (9 OF 10)
69200294	WIRING HARNESS, MAIN - FLHT, FLHX, FLHXS AND FLH (1 OF 10) WIRING HARNESS, MAIN - FLHT, FLHX, FLHXS AND FLH (5 OF 10) SOUND SYSTEM - FLHTK, FLHX, FLHXS AND FLH (1 OF 2)
69200295	ANTENNAS
69200298	WINDSHIELD, FAIRING AND HEADLAMP - FLHT, FLHTK, FLHX, FLHXS AND FLH (2 OF 2)
69200305	SWITCHES, HANDLEBAR, RIGHT - EXCEPT FLHRXS SWITCHES, HANDLEBAR, RIGHT - FLHRXS
69200306	SWITCHES, HANDLEBAR, LEFT - EXCEPT FLHRXS SWITCHES, HANDLEBAR, LEFT - FLHRXS SWITCHES, HANDLEBAR, RIGHT - EXCEPT FLHRXS SWITCHES, HANDLEBAR, RIGHT - FLHRXS

69200307	SWITCHES, HANDLEBAR, LEFT - EXCEPT FLHRXS SWITCHES, HANDLEBAR, LEFT - FLHRXS SWITCHES, HANDLEBAR, RIGHT - EXCEPT FLHRXS SWITCHES, HANDLEBAR, RIGHT - FLHRXS THROTTLE CONTROL
69200308	SWITCHES, HANDLEBAR, LEFT - EXCEPT FLHRXS SWITCHES, HANDLEBAR, LEFT - FLHRXS SWITCHES, HANDLEBAR, RIGHT - EXCEPT FLHRXS SWITCHES, HANDLEBAR, RIGHT - FLHRXS
69200311	RADIATOR, COOLANT HOSES AND BOTTLE - TWIN-COOLED™
69200312	WIRING HARNESS, MAIN - FLHT, FLHX, FLHXS AND FLH (9 OF 10) WIRING HARNESS, MAIN - FLHTK (9 OF 10) WIRING HARNESS, MAIN - FLHR, FLHRXS (9 OF 10) WIRING HARNESS, MAIN - FLTRX, FLTRXS (9 OF 10) WIRING HARNESS, MAIN - FLTRK (9 OF 10)
69200313	ANTENNAS
69200336A	WIRING HARNESS, MAIN - FLHT, FLHX, FLHXS AND FLH (9 OF 10) WIRING HARNESS, MAIN - FLHTK (9 OF 10) WIRING HARNESS, MAIN - FLHR, FLHRXS (9 OF 10) WIRING HARNESS, MAIN - FLTRX, FLTRXS (9 OF 10) WIRING HARNESS, MAIN - FLTRK (9 OF 10) LOOSE PARTS (1 OF 3)
69200337	FAIRING, INNER - FLTRK, FLTRX AND FLTRXS (2 OF 2) WIRING HARNESS, FAIRING - FLHT, FLHX, FLHXS AND FLH WIRING HARNESS, FAIRING - FLHTK
69200529	AUXILIARY/FOG LAMPS AND TURN SIGNALS, FRONT - FLHTK AND FLH (2 OF 2)
69200536	HANDLEBAR
69200629	WIRING HARNESS, MAIN - FLTRX, FLTRXS (1 OF 10) WIRING HARNESS, MAIN - FLTRX, FLTRXS (5 OF 10) SOUND SYSTEM - FLTRK, FLTRX AND FLTRXS (1 OF 2)
69200631	SWITCHES, HANDLEBAR, RIGHT - EXCEPT FLHRXS
69200700	WIRING HARNESS, MAIN - FLTRX, FLTRXS (2 OF 10) WIRING HARNESS, MAIN - FLTRK (2 OF 10)
69200702	FAIRING, INNER - FLTRK, FLTRX AND FLTRXS (2 OF 2)
69200752	SOUND SYSTEM - FLTRK, FLTRX AND FLTRXS (1 OF 2)
69200753	FAIRING, INNER - FLTRK, FLTRX AND FLTRXS (2 OF 2)
69200826	LAMPS AND SPEAKER HOUSINGS, ULTRA TOUR-PAK (2 OF 2)
69200840	SENSORS AND SWITCHES, ENGINE
69201017	WIRING HARNESS, MAIN - FLTRK (1 OF 10) WIRING HARNESS, MAIN - FLTRK (5 OF 10) SOUND SYSTEM - FLTRK, FLTRX AND FLTRXS (1 OF 2)
69201018A	WIRING HARNESS, MAIN - FLTRK (1 OF 10) WIRING HARNESS, MAIN - FLTRK (5 OF 10)

69201130	WIRING HARNESS, MAIN - FLHT, FLHX, FLHXS AND FLH (10 OF 10) WIRING HARNESS, MAIN - FLHTK (10 OF 10) WIRING HARNESS, MAIN - FLHR, FLHRXS (10 OF 10) WIRING HARNESS, MAIN - FLTRX, FLTRXS (10 OF 10) WIRING HARNESS, MAIN - FLTRK (10 OF 10) BATTERY
69201162	THROTTLE CONTROL
69201163	WIRING HARNESS, MAIN - FLHT, FLHX, FLHXS AND FLH (2 OF 10) WIRING HARNESS, MAIN - FLHTK (2 OF 10) WIRING HARNESS, MAIN - FLHR, FLHRXS (1 OF 10) WIRING HARNESS, MAIN - FLTRX, FLTRXS (2 OF 10) WIRING HARNESS, MAIN - FLTRK (2 OF 10)
69201164	WIRING HARNESS, MAIN - FLHT, FLHX, FLHXS AND FLH (2 OF 10) WIRING HARNESS, MAIN - FLHTK (2 OF 10) WIRING HARNESS, MAIN - FLHR, FLHRXS (1 OF 10) WIRING HARNESS, MAIN - FLTRX, FLTRXS (2 OF 10) WIRING HARNESS, MAIN - FLTRK (2 OF 10)
69201178	ELECTRONIC CONTROL MODULE (ECM) AND COIL BATTERY
69201240	WIRING HARNESS, MAIN - FLTRX, FLTRXS (1 OF 10) WIRING HARNESS, MAIN - FLTRK (1 OF 10) WIRING HARNESS, FAIRING - FLHT, FLHX, FLHXS AND FLH WIRING HARNESS, FAIRING - FLHTK
69201286A	COOLANT DISTRIBUTION - AIR-COOLED
69201287	WIRING HARNESS, MAIN - FLHT, FLHX, FLHXS AND FLH (3 OF 10) WIRING HARNESS, MAIN - FLHTK (3 OF 10) WIRING HARNESS, MAIN - FLHR, FLHRXS (3 OF 10) WIRING HARNESS, MAIN - FLTRX, FLTRXS (3 OF 10) WIRING HARNESS, MAIN - FLTRK (3 OF 10)
69201299	SENSORS AND SWITCHES, ENGINE
69201300	SENSORS AND SWITCHES, ENGINE
69201301	SENSORS AND SWITCHES, ENGINE WIRING HARNESS, MAIN - FLHT, FLHX, FLHXS AND FLH (3 OF 10) WIRING HARNESS, MAIN - FLHT, FLHX, FLHXS AND FLH (7 OF 10) WIRING HARNESS, MAIN - FLHTK (3 OF 10) WIRING HARNESS, MAIN - FLHTK (7 OF 10) WIRING HARNESS, MAIN - FLHTK (8 OF 10) WIRING HARNESS, MAIN - FLHR, FLHRXS (3 OF 10) WIRING HARNESS, MAIN - FLHR, FLHRXS (7 OF 10) WIRING HARNESS, MAIN - FLTRX, FLTRXS (3 OF 10) WIRING HARNESS, MAIN - FLTRX, FLTRXS (7 OF 10) WIRING HARNESS, MAIN - FLTRK (3 OF 10) WIRING HARNESS, MAIN - FLTRK (7 OF 10) WIRING HARNESS, MAIN - FLTRK (8 OF 10)
69201302	SENSORS AND SWITCHES, ENGINE
69201307	WIRING HARNESS, MAIN - FLHT, FLHX, FLHXS AND FLH (10 OF 10) WIRING HARNESS, MAIN - FLHTK (10 OF 10) WIRING HARNESS, MAIN - FLHR, FLHRXS (10 OF 10) WIRING HARNESS, MAIN - FLTRX, FLTRXS (10 OF 10)

69201400	WIRING HARNESS, MAIN - FLHT, FLHX, FLHXS AND FLH (10 OF 10) WIRING HARNESS, MAIN - FLHTK (10 OF 10) WIRING HARNESS, MAIN - FLHR, FLHRXS (10 OF 10) WIRING HARNESS, MAIN - FLTRX, FLTRXS (10 OF 10) WIRING HARNESS, MAIN - FLTRK (10 OF 10)
69201401	WIRING HARNESS, MAIN - FLHT, FLHX, FLHXS AND FLH (10 OF 10) WIRING HARNESS, MAIN - FLHTK (10 OF 10) WIRING HARNESS, MAIN - FLHR, FLHRXS (10 OF 10) WIRING HARNESS, MAIN - FLTRX, FLTRXS (10 OF 10) WIRING HARNESS, MAIN - FLTRK (10 OF 10)
69201404	WIRING HARNESS, MAIN - FLHT, FLHX, FLHXS AND FLH (10 OF 10) WIRING HARNESS, MAIN - FLHTK (10 OF 10) WIRING HARNESS, MAIN - FLHR, FLHRXS (10 OF 10) WIRING HARNESS, MAIN - FLTRX, FLTRXS (10 OF 10) WIRING HARNESS, MAIN - FLTRK (10 OF 10)
69201405	WIRING HARNESS, MAIN - FLHT, FLHX, FLHXS AND FLH (10 OF 10) WIRING HARNESS, MAIN - FLHTK (10 OF 10) WIRING HARNESS, MAIN - FLHR, FLHRXS (10 OF 10) WIRING HARNESS, MAIN - FLTRX, FLTRXS (10 OF 10) WIRING HARNESS, MAIN - FLTRK (10 OF 10)
69201406	WIRING HARNESS, MAIN - FLHTK (8 OF 10) WIRING HARNESS, MAIN - FLTRK (8 OF 10)
69201407	WIRING HARNESS, MAIN - FLHT, FLHX, FLHXS AND FLH (3 OF 10) WIRING HARNESS, MAIN - FLHTK (3 OF 10) WIRING HARNESS, MAIN - FLHTK (8 OF 10) WIRING HARNESS, MAIN - FLTRX, FLTRXS (3 OF 10) WIRING HARNESS, MAIN - FLTRK (3 OF 10) WIRING HARNESS, MAIN - FLTRK (8 OF 10)
69201411	WIRING HARNESS, MAIN - FLHT, FLHX, FLHXS AND FLH (9 OF 10) WIRING HARNESS, MAIN - FLHTK (9 OF 10) WIRING HARNESS, MAIN - FLHR, FLHRXS (9 OF 10) WIRING HARNESS, MAIN - FLTRX, FLTRXS (9 OF 10) WIRING HARNESS, MAIN - FLTRK (9 OF 10)
69201416	WIRING HARNESS, MAIN - FLHT, FLHX, FLHXS AND FLH (3 OF 10) WIRING HARNESS, MAIN - FLHTK (3 OF 10) WIRING HARNESS, MAIN - FLHR, FLHRXS (3 OF 10) WIRING HARNESS, MAIN - FLTRX, FLTRXS (3 OF 10) WIRING HARNESS, MAIN - FLTRK (3 OF 10)
69201423	ALTERNATOR AND REGULATOR WIRING HARNESS, MAIN - FLHT, FLHX, FLHXS AND FLH (8 OF 10) WIRING HARNESS, MAIN - FLHTK (8 OF 10) WIRING HARNESS, MAIN - FLHR, FLHRXS (8 OF 10) WIRING HARNESS, MAIN - FLTRX, FLTRXS (8 OF 10) WIRING HARNESS, MAIN - FLTRK (8 OF 10)
69201441	WIRING HARNESS, MAIN - FLHT, FLHX, FLHXS AND FLH (3 OF 10) WIRING HARNESS, MAIN - FLHTK (3 OF 10) WIRING HARNESS, MAIN - FLHR, FLHRXS (3 OF 10) WIRING HARNESS, MAIN - FLTRX, FLTRXS (3 OF 10) WIRING HARNESS, MAIN - FLTRK (3 OF 10)
69201442	WIRING HARNESS, MAIN - FLHT, FLHX, FLHXS AND FLH (3 OF 10) WIRING HARNESS, MAIN - FLHTK (3 OF 10)

	WIRING HARNESS, MAIN - FLHR, FLHRXS (3 OF 10) WIRING HARNESS, MAIN - FLTRX, FLTRXS (3 OF 10) WIRING HARNESS, MAIN - FLTRK (3 OF 10)
69201548	RADIATOR, COOLANT HOSES AND BOTTLE - TWIN-COOLED™
69201596	WIRING HARNESS, MAIN - FLHT, FLHX, FLHXS AND FLH (5 OF 10) WIRING HARNESS, MAIN - FLHTK (5 OF 10) WIRING HARNESS, MAIN - FLHR, FLHRXS (5 OF 10) WIRING HARNESS, MAIN - FLTRX, FLTRXS (5 OF 10) WIRING HARNESS, MAIN - FLTRK (5 OF 10)
69201722	WIRING HARNESS, MAIN - FLHT, FLHX, FLHXS AND FLH (8 OF 10) WIRING HARNESS, MAIN - FLHTK (8 OF 10) WIRING HARNESS, MAIN - FLHR, FLHRXS (8 OF 10) WIRING HARNESS, MAIN - FLTRX, FLTRXS (8 OF 10) WIRING HARNESS, MAIN - FLTRK (8 OF 10)
69201724	SWITCHES, HANDLEBAR, RIGHT - FLHRXS
69201779	WIRING HARNESS, MAIN - FLHT, FLHX, FLHXS AND FLH (7 OF 10) WIRING HARNESS, MAIN - FLHTK (7 OF 10) WIRING HARNESS, MAIN - FLHR, FLHRXS (7 OF 10) WIRING HARNESS, MAIN - FLTRX, FLTRXS (7 OF 10) WIRING HARNESS, MAIN - FLTRK (7 OF 10)
69201814	WIRING HARNESS, MAIN - FLHT, FLHX, FLHXS AND FLH (7 OF 10) WIRING HARNESS, MAIN - FLHTK (7 OF 10) WIRING HARNESS, MAIN - FLHR, FLHRXS (7 OF 10) WIRING HARNESS, MAIN - FLTRX, FLTRXS (7 OF 10) WIRING HARNESS, MAIN - FLTRK (7 OF 10)
69201890	WIRING HARNESS, MAIN - FLHT, FLHX, FLHXS AND FLH (4 OF 10) WIRING HARNESS, MAIN - FLHTK (4 OF 10) WIRING HARNESS, MAIN - FLHR, FLHRXS (4 OF 10) WIRING HARNESS, MAIN - FLTRX, FLTRXS (4 OF 10) WIRING HARNESS, MAIN - FLTRK (4 OF 10)
69201924	BRAKE LINES AND MODULE, REAR - ABS
69202028	WIRING HARNESS, MAIN - FLHT, FLHX, FLHXS AND FLH (4 OF 10) WIRING HARNESS, MAIN - FLHTK (4 OF 10) WIRING HARNESS, MAIN - FLHR, FLHRXS (4 OF 10) WIRING HARNESS, MAIN - FLTRX, FLTRXS (4 OF 10) WIRING HARNESS, MAIN - FLTRK (4 OF 10)
69202031	WIRING HARNESS, MAIN - FLHT, FLHX, FLHXS AND FLH (4 OF 10) WIRING HARNESS, MAIN - FLHTK (4 OF 10) WIRING HARNESS, MAIN - FLHR, FLHRXS (4 OF 10) WIRING HARNESS, MAIN - FLTRX, FLTRXS (4 OF 10) WIRING HARNESS, MAIN - FLTRK (4 OF 10)
69202032	WIRING HARNESS, MAIN - FLHT, FLHX, FLHXS AND FLH (4 OF 10) WIRING HARNESS, MAIN - FLHTK (4 OF 10) WIRING HARNESS, MAIN - FLHR, FLHRXS (4 OF 10) WIRING HARNESS, MAIN - FLTRX, FLTRXS (4 OF 10) WIRING HARNESS, MAIN - FLTRK (4 OF 10)
69202098	WIRING HARNESS, MAIN - FLHT, FLHX, FLHXS AND FLH (10 OF 10) WIRING HARNESS, MAIN - FLHTK (10 OF 10) WIRING HARNESS, MAIN - FLHR, FLHRXS (10 OF 10) WIRING HARNESS, MAIN - FLTRX, FLTRXS (10 OF 10)

	WIRING HARNESS, MAIN - FLHTK (3 OF 10) WIRING HARNESS, MAIN - FLHTK (4 OF 10) WIRING HARNESS, MAIN - FLHTK (5 OF 10) WIRING HARNESS, MAIN - FLHTK (6 OF 10) WIRING HARNESS, MAIN - FLHTK (7 OF 10) WIRING HARNESS, MAIN - FLHTK (8 OF 10) WIRING HARNESS, MAIN - FLHTK (9 OF 10) WIRING HARNESS, MAIN - FLHTK (10 OF 10)
69202230	WIRING HARNESS, MAIN - FLTRX, FLTRXS (1 OF 10) WIRING HARNESS, MAIN - FLTRX, FLTRXS (2 OF 10) WIRING HARNESS, MAIN - FLTRX, FLTRXS (3 OF 10) WIRING HARNESS, MAIN - FLTRX, FLTRXS (4 OF 10) WIRING HARNESS, MAIN - FLTRX, FLTRXS (5 OF 10) WIRING HARNESS, MAIN - FLTRX, FLTRXS (6 OF 10) WIRING HARNESS, MAIN - FLTRX, FLTRXS (7 OF 10) WIRING HARNESS, MAIN - FLTRX, FLTRXS (8 OF 10) WIRING HARNESS, MAIN - FLTRX, FLTRXS (9 OF 10) WIRING HARNESS, MAIN - FLTRX, FLTRXS (10 OF 10)
69202231	WIRING HARNESS, MAIN - FLTRK (1 OF 10) WIRING HARNESS, MAIN - FLTRK (2 OF 10) WIRING HARNESS, MAIN - FLTRK (3 OF 10) WIRING HARNESS, MAIN - FLTRK (4 OF 10) WIRING HARNESS, MAIN - FLTRK (5 OF 10) WIRING HARNESS, MAIN - FLTRK (6 OF 10) WIRING HARNESS, MAIN - FLTRK (7 OF 10) WIRING HARNESS, MAIN - FLTRK (8 OF 10) WIRING HARNESS, MAIN - FLTRK (9 OF 10) WIRING HARNESS, MAIN - FLTRK (10 OF 10)
69202307	ELECTRONIC CONTROL MODULE (ECM) AND COIL BATTERY
69202322	WIRING HARNESS, MAIN - FLHT, FLHX, FLHXS AND FLH (4 OF 10) WIRING HARNESS, MAIN - FLHTK (4 OF 10) WIRING HARNESS, MAIN - FLHR, FLHRXS (4 OF 10) WIRING HARNESS, MAIN - FLTRX, FLTRXS (4 OF 10) WIRING HARNESS, MAIN - FLTRK (4 OF 10)
69202323	WIRING HARNESS, MAIN - FLHT, FLHX, FLHXS AND FLH (4 OF 10) WIRING HARNESS, MAIN - FLHTK (4 OF 10) WIRING HARNESS, MAIN - FLHR, FLHRXS (4 OF 10) WIRING HARNESS, MAIN - FLTRX, FLTRXS (4 OF 10) WIRING HARNESS, MAIN - FLTRK (4 OF 10)
69202354	WIRING HARNESS, MAIN - FLHT, FLHX, FLHXS AND FLH (2 OF 10)
69202385	WIRING HARNESS, FAIRING - FLHT, FLHX, FLHXS AND FLH
69202412	WIRING HARNESS, MAIN - FLHTK (2 OF 10) WIRING HARNESS, MAIN - FLTRX, FLTRXS (2 OF 10) WIRING HARNESS, MAIN - FLTRK (2 OF 10)
69202417	WINDSHIELD, FAIRING AND HEADLAMP - FLTRK, FLTRX AND FLTRXS (2 OF 2)
69202453	WIRING HARNESS, MAIN - FLHT, FLHX, FLHXS AND FLH (4 OF 10) WIRING HARNESS, MAIN - FLHTK (4 OF 10) WIRING HARNESS, MAIN - FLHR, FLHRXS (4 OF 10) WIRING HARNESS, MAIN - FLTRX, FLTRXS (4 OF 10) WIRING HARNESS, MAIN - FLTRK (4 OF 10)

69202485	WIRING HARNESS, FAIRING - FLHT, FLHX, FLHXS AND FLH WIRING HARNESS, FAIRING - FLHTK
69202521	INSTRUMENTS - FLHT, FLHTK, FLHX, FLHXS AND FLH WIRING HARNESS, FAIRING - FLHTK
69202523	INSTRUMENTS - FLHT, FLHTK, FLHX, FLHXS AND FLH WIRING HARNESS, FAIRING - FLHT, FLHX, FLHXS AND FLH
69202614	SWITCHES, HANDLEBAR, LEFT - EXCEPT FLHRXS
69202615	SWITCHES, HANDLEBAR, LEFT - EXCEPT FLHRXS
69202616	SWITCHES, HANDLEBAR, LEFT - FLHRXS
69202636	COVERS AND AIR DEFLECTORS WIRING HARNESS, MAIN - FLHT, FLHX, FLHXS AND FLH (1 OF 10) WIRING HARNESS, MAIN - FLHTK (1 OF 10) WIRING HARNESS, MAIN - FLHR, FLHRXS (1 OF 10) WIRING HARNESS, MAIN - FLTRX, FLTRXS (1 OF 10) WIRING HARNESS, MAIN - FLTRK (1 OF 10)
69202637	COVERS AND AIR DEFLECTORS WIRING HARNESS, MAIN - FLHT, FLHX, FLHXS AND FLH (1 OF 10) WIRING HARNESS, MAIN - FLHTK (1 OF 10) WIRING HARNESS, MAIN - FLHR, FLHRXS (1 OF 10) WIRING HARNESS, MAIN - FLTRX, FLTRXS (1 OF 10) WIRING HARNESS, MAIN - FLTRK (1 OF 10)
69202712	INSTRUMENTS - FLHT, FLHTK, FLHX, FLHXS AND FLH WIRING HARNESS, FAIRING - FLHT, FLHX, FLHXS AND FLH
69202720	COVERS AND AIR DEFLECTORS WIRING HARNESS, MAIN - FLHT, FLHX, FLHXS AND FLH (1 OF 10) WIRING HARNESS, MAIN - FLHTK (1 OF 10) WIRING HARNESS, MAIN - FLHR, FLHRXS (1 OF 10) WIRING HARNESS, MAIN - FLTRX, FLTRXS (1 OF 10) WIRING HARNESS, MAIN - FLTRK (1 OF 10)
69202786	FAIRING, INNER - FLTRK, FLTRX AND FLTRXS (2 OF 2)
69203026	WIRING HARNESS, MAIN - FLHT, FLHX, FLHXS AND FLH (2 OF 10) WIRING HARNESS, MAIN - FLHTK (2 OF 10)
69214-08	CONSOLE, FUEL TANK - FLHT, FLHTK, FLHX, FLH, FLTRK AND FLTRX (1 OF 2)
69241-08	CONSOLE, FUEL TANK - FLHT, FLHTK, FLHX, FLH, FLTRK AND FLTRX (2 OF 2) CONSOLE, FUEL TANK - FLHXS, FLTRXS
69292-06	TURN SIGNALS, FRONT - FLHT, FLHX AND FLHXS
69293-06	TURN SIGNALS, FRONT - FLHT, FLHX AND FLHXS
69325-02	AUXILIARY/FOG LAMPS AND TURN SIGNALS, FRONT - FLHTK AND FLH (2 OF 2) TURN SIGNALS, FRONT - FLHT, FLHX AND FLHXS TURN SIGNALS, FRONT - FLHRXS WINDSHIELD, FAIRING AND HEADLAMP - FLTRK, FLTRX AND FLTRXS (1 OF 2)
69331-02	AUXILIARY/FOG LAMPS AND TURN SIGNALS, FRONT - FLHTK AND FLH (1 OF 2) TURN SIGNALS, FRONT - FLHT, FLHX AND FLHXS TURN SIGNALS, FRONT - FLHRXS

	WINDSHIELD, FAIRING AND HEADLAMP - FLTRK, FLTRX AND FLTRXS (1 OF 2)
69353-05	TAIL LAMP AND TURN SIGNALS, REAR - FLHT AND FLH TAIL LAMP AND TURN SIGNALS, REAR - FLHRXS, FLHX, FLHXS, FLTRX, FLTRXS
69377-10	FENDERS, REAR
69378-09	TAIL LAMP AND TURN SIGNALS, REAR - FLHT AND FLH TAIL LAMP AND TURN SIGNALS, REAR - FLHR TAIL LAMP AND TURN SIGNALS, REAR - FLHTK, FLTRK (HDI)
69380-09BHP	LICENSE PLATE BRACKETS
69490-07	SADDLEBAGS (1 OF 2)
69563-06	AUXILIARY/FOG LAMPS AND TURN SIGNALS, FRONT - FLHTK AND FLH (2 OF 2)
69587-07	TURN SIGNALS, FRONT - FLHRXS
69615-10	FENDERS, REAR
6982	FRAME AND FORK, REAR AND TOUR-PAK SUPPORT
69861-07	FORK, FRONT
69862-07	FORK, FRONT
70291-89	WIRING HARNESS, MAIN - FLHR, FLHRXS (1 OF 10) WIRING HARNESS, MAIN - FLHR, FLHRXS (2 OF 10)
70292-89	NACELLE AND HEADLAMP - FLHR AND FLHRXS (1 OF 2) WIRING HARNESS, MAIN - FLHR, FLHRXS (2 OF 10)
70345-84	HANDLEBAR
7036	LICENSE PLATE BRACKETS
7038	FOOTBOARDS, OPERATOR FOOTBOARDS AND FOOTPEGS, PASSENGER
703B	CRANKCASE
7041	AUXILIARY/FOG LAMPS AND TURN SIGNALS, FRONT - FLHTK AND FLH (1 OF 2) EXHAUST SYSTEM (1 OF 2)
70493-08	WHEELS, FRONT (1 OF 2)
70494-08	WHEELS, FRONT (1 OF 2)
70522-06B	TAIL LAMP AND TURN SIGNALS, REAR - FLHT AND FLH TAIL LAMP AND TURN SIGNALS, REAR - FLHR TAIL LAMP AND TURN SIGNALS, REAR - FLHTK, FLTRK (HDI) TAIL LAMP (2 OF 2)
70554-69	AUXILIARY/FOG LAMPS AND TURN SIGNALS, FRONT - FLHR
70631-08	BRAKE LINES AND MODULE, REAR - ABS WHEELS, FRONT (1 OF 2)
70681-09	COOLANT DISTRIBUTION - TWIN-COOLED™ COOLANT DISTRIBUTION - AIR-COOLED ELECTRONIC CONTROL MODULE (ECM) AND COIL

	<u>EVAPORATIVE EMISSIONS COMPONENTS</u>
7069	<u>GUARDS, SADDLEBAG</u>
70900117	<u>INSTRUMENTS, FUEL TANK - FLHR AND FLHRXS</u>
70900118D	<u>INSTRUMENTS - FLHT, FLHTK, FLHX, FLHXS AND FLH</u> <u>INSTRUMENTS - FLTRK, FLTRX AND FLTRXS</u>
70900119C	<u>INSTRUMENTS - FLHT, FLHTK, FLHX, FLHXS AND FLH</u> <u>INSTRUMENTS - FLTRK, FLTRX AND FLTRXS</u>
70900120C	<u>INSTRUMENTS - FLHT, FLHTK, FLHX, FLHXS AND FLH</u> <u>INSTRUMENTS - FLTRK, FLTRX AND FLTRXS</u>
70900121D	<u>INSTRUMENTS - FLHT, FLHTK, FLHX, FLHXS AND FLH</u> <u>INSTRUMENTS - FLTRK, FLTRX AND FLTRXS</u>
70900122C	<u>INSTRUMENTS - FLHT, FLHTK, FLHX, FLHXS AND FLH</u> <u>INSTRUMENTS - FLTRK, FLTRX AND FLTRXS</u>
70900123C	<u>INSTRUMENTS - FLHT, FLHTK, FLHX, FLHXS AND FLH</u> <u>INSTRUMENTS - FLTRK, FLTRX AND FLTRXS</u>
70900124D	<u>INSTRUMENTS - FLHT, FLHTK, FLHX, FLHXS AND FLH</u> <u>INSTRUMENTS - FLTRK, FLTRX AND FLTRXS</u>
70900125C	<u>INSTRUMENTS - FLHT, FLHTK, FLHX, FLHXS AND FLH</u> <u>INSTRUMENTS - FLTRK, FLTRX AND FLTRXS</u>
70900138	<u>INSTRUMENT HOUSING - FLTRK, FLTRX AND FLTRXS</u> <u>FAIRING, INNER - FLHT, FLHTK, FLHX, FLHXS AND FLH (3 OF 3)</u> <u>FAIRING, INNER - FLHT, FLHTK, FLHX, FLHXS AND FLH (3 OF 3)</u>
70900161	<u>INSTRUMENTS - FLHT, FLHTK, FLHX, FLHXS AND FLH</u> <u>INSTRUMENTS - FLTRK, FLTRX AND FLTRXS</u>
70900162	<u>INSTRUMENTS - FLHT, FLHTK, FLHX, FLHXS AND FLH</u> <u>INSTRUMENTS - FLTRK, FLTRX AND FLTRXS</u>
70900163	<u>INSTRUMENTS - FLHT, FLHTK, FLHX, FLHXS AND FLH</u> <u>INSTRUMENTS - FLTRK, FLTRX AND FLTRXS</u>
70900164	<u>INSTRUMENTS - FLHT, FLHTK, FLHX, FLHXS AND FLH</u> <u>INSTRUMENTS - FLTRK, FLTRX AND FLTRXS</u>
70900165	<u>INSTRUMENTS - FLHT, FLHTK, FLHX, FLHXS AND FLH</u> <u>INSTRUMENTS - FLTRK, FLTRX AND FLTRXS</u>
70900166	<u>INSTRUMENTS - FLHT, FLHTK, FLHX, FLHXS AND FLH</u> <u>INSTRUMENTS - FLTRK, FLTRX AND FLTRXS</u>
70900372	<u>INSTRUMENT HOUSING - FLTRK, FLTRX AND FLTRXS</u>
70900373	<u>INSTRUMENT HOUSING - FLTRK, FLTRX AND FLTRXS</u>
70900374	<u>INSTRUMENT HOUSING - FLTRK, FLTRX AND FLTRXS</u>
70900379C	<u>INSTRUMENTS, FUEL TANK - FLHR AND FLHRXS</u>
70900421C	<u>INSTRUMENTS, FUEL TANK - FLHR AND FLHRXS</u>

70900465A	CONSOLE, FUEL TANK - FLHT, FLHTK, FLHX, FLH, FLTRK AND FLTRX (1 OF 2)
70900502	CONSOLE, FUEL TANK - FLHT, FLHTK, FLHX, FLH, FLTRK AND FLTRX (1 OF 2)
70900616B	INSTRUMENTS, FUEL TANK - FLHR AND FLHRXS
70900744	INSTRUMENTS, FUEL TANK - FLHR AND FLHRXS
70900838	CONSOLE, FUEL TANK - FLHXS, FLTRXS
70900840	CONSOLE, FUEL TANK - FLHXS, FLTRXS
70901-09	FUEL TANK - FLHT, FLHTK, FLHX, FLH, FLTRK AND FLTRX FUEL TANK - FLHR, FLHRXS, FLHXS AND FLTRXS
70901014BYM	FAIRING, INNER - FLHT, FLHTK, FLHX, FLHXS AND FLH (3 OF 3)
70901014DH	FAIRING, INNER - FLHT, FLHTK, FLHX, FLHXS AND FLH (3 OF 3)
70901037	CONSOLE, FUEL TANK - FLHT, FLHTK, FLHX, FLH, FLTRK AND FLTRX (2 OF 2)
70999-09	FUEL TANK - FLHT, FLHTK, FLHX, FLH, FLTRK AND FLTRX FUEL TANK - FLHR, FLHRXS, FLHXS AND FLTRXS
7129	ANTENNAS
71294-08	CONSOLE, FUEL TANK - FLHT, FLHTK, FLHX, FLH, FLTRK AND FLTRX (2 OF 2) INSTRUMENTS, FUEL TANK - FLHR AND FLHRXS
7130W	AUXILIARY/FOG LAMPS AND TURN SIGNALS, FRONT - FLHTK AND FLH (1 OF 2)
71310-94	NACELLE AND HEADLAMP - FLHR AND FLHRXS (1 OF 2)
71400005	LAMPS AND SPEAKER HOUSINGS, ULTRA TOUR-PAK (2 OF 2)
71400006	LAMPS AND SPEAKER HOUSINGS, ULTRA TOUR-PAK (2 OF 2)
71400007	LAMPS AND SPEAKER HOUSINGS, ULTRA TOUR-PAK (2 OF 2)
71400010A	INSTRUMENTS, FUEL TANK - FLHR AND FLHRXS NACELLE AND HEADLAMP - FLHR AND FLHRXS (2 OF 2) SWITCHES (2 OF 2) SADDLEBAGS (1 OF 2)
71400012B	SWITCHES (2 OF 2)
71400013B	SWITCHES (2 OF 2)
71400015B	SWITCHES (2 OF 2) SADDLEBAGS (1 OF 2)
71400016B	SWITCHES (2 OF 2) SADDLEBAGS (1 OF 2)
71400017B	SWITCHES (2 OF 2)
71400031	FAIRING, INNER - FLHT, FLHTK, FLHX, FLHXS AND FLH (3 OF 3)
71400044	FAIRING, INNER - FLHT, FLHTK, FLHX, FLHXS AND FLH (3 OF 3)
71400073	SWITCHES (2 OF 2)

71400081	SWITCHES (2 OF 2)
71400112A	SENSORS AND SWITCHES, ENGINE
71400126B	SWITCHES (2 OF 2)
71400133A	SWITCHES (2 OF 2) SADDLEBAGS (1 OF 2)
71400149	SWITCHES (2 OF 2) SADDLEBAGS (1 OF 2)
71455-11	NACELLE AND HEADLAMP - FLHR AND FLHRXS (1 OF 2) NACELLE AND HEADLAMP - FLHR AND FLHRXS (1 OF 2)
71500044	SWITCHES, HANDLEBAR, LEFT - EXCEPT FLHRXS SWITCHES, HANDLEBAR, LEFT - FLHRXS
71500045	SWITCHES, HANDLEBAR, LEFT - EXCEPT FLHRXS
71500046	SWITCHES, HANDLEBAR, RIGHT - EXCEPT FLHRXS
71500047	SWITCHES, HANDLEBAR, LEFT - EXCEPT FLHRXS SWITCHES, HANDLEBAR, LEFT - FLHRXS
71500048	SWITCHES, HANDLEBAR, LEFT - EXCEPT FLHRXS SWITCHES, HANDLEBAR, LEFT - FLHRXS
71500049	SWITCHES, HANDLEBAR, RIGHT - EXCEPT FLHRXS SWITCHES, HANDLEBAR, RIGHT - FLHRXS
71500050	SWITCHES, HANDLEBAR, RIGHT - EXCEPT FLHRXS SWITCHES, HANDLEBAR, RIGHT - FLHRXS
71500053	SWITCHES, HANDLEBAR, LEFT - EXCEPT FLHRXS SWITCHES, HANDLEBAR, LEFT - FLHRXS
71500055	SWITCHES, HANDLEBAR, LEFT - EXCEPT FLHRXS
71500057	SWITCHES, HANDLEBAR, RIGHT - EXCEPT FLHRXS SWITCHES, HANDLEBAR, RIGHT - FLHRXS
71500063	SWITCHES, HANDLEBAR, RIGHT - EXCEPT FLHRXS
71500094	SWITCHES, HANDLEBAR, LEFT - EXCEPT FLHRXS SWITCHES, HANDLEBAR, LEFT - FLHRXS
71500127C	SWITCHES, HANDLEBAR, RIGHT - EXCEPT FLHRXS SWITCHES, HANDLEBAR, RIGHT - FLHRXS
71500129C	SWITCHES, HANDLEBAR, RIGHT - EXCEPT FLHRXS
71500338	SWITCHES, HANDLEBAR, LEFT - EXCEPT FLHRXS SWITCHES, HANDLEBAR, LEFT - FLHRXS
71500340	SWITCHES, HANDLEBAR, RIGHT - EXCEPT FLHRXS SWITCHES, HANDLEBAR, RIGHT - FLHRXS
71500342	SWITCHES, HANDLEBAR, LEFT - EXCEPT FLHRXS
71500348	SWITCHES, HANDLEBAR, RIGHT - EXCEPT FLHRXS

71500473	SWITCHES, HANDLEBAR, LEFT - FLHRXS
71500475	SWITCHES, HANDLEBAR, RIGHT - FLHRXS
71500478	SWITCHES, HANDLEBAR, RIGHT - EXCEPT FLHRXS SWITCHES, HANDLEBAR, RIGHT - EXCEPT FLHRXS
71500488	SWITCHES, HANDLEBAR, LEFT - EXCEPT FLHRXS SWITCHES, HANDLEBAR, LEFT - FLHRXS
71500501	SWITCHES, HANDLEBAR, RIGHT - EXCEPT FLHRXS SWITCHES, HANDLEBAR, RIGHT - EXCEPT FLHRXS
71500562	SWITCHES, HANDLEBAR, LEFT - EXCEPT FLHRXS
71500564	SWITCHES, HANDLEBAR, LEFT - EXCEPT FLHRXS SWITCHES, HANDLEBAR, LEFT - FLHRXS
71500566	SWITCHES, HANDLEBAR, LEFT - EXCEPT FLHRXS
71500568	SWITCHES, HANDLEBAR, LEFT - EXCEPT FLHRXS SWITCHES, HANDLEBAR, LEFT - FLHRXS
71517-11A	INSTRUMENTS, FUEL TANK - FLHR AND FLHRXS SWITCHES (2 OF 2)
71522-08	NACELLE AND HEADLAMP - FLHR AND FLHRXS (1 OF 2)
71540-94B	NACELLE AND HEADLAMP - FLHR AND FLHRXS (1 OF 2) SWITCHES (1 OF 2)
7155	MIRRORS
71565-08	NACELLE AND HEADLAMP - FLHR AND FLHRXS (1 OF 2)
71660-03A	SWITCHES (1 OF 2)
72008-05	WIRING HARNESS, MAIN - FLHT, FLHX, FLHXS AND FLH (3 OF 10) WIRING HARNESS, MAIN - FLHTK (3 OF 10) WIRING HARNESS, MAIN - FLHR, FLHRXS (3 OF 10) WIRING HARNESS, MAIN - FLTRX, FLTRXS (3 OF 10) WIRING HARNESS, MAIN - FLTRK (3 OF 10)
72009-05	WIRING HARNESS, MAIN - FLHT, FLHX, FLHXS AND FLH (3 OF 10) WIRING HARNESS, MAIN - FLHTK (3 OF 10) WIRING HARNESS, MAIN - FLHR, FLHRXS (3 OF 10) WIRING HARNESS, MAIN - FLTRX, FLTRXS (3 OF 10) WIRING HARNESS, MAIN - FLTRK (3 OF 10)
72010-05	WIRING HARNESS, MAIN - FLHT, FLHX, FLHXS AND FLH (3 OF 10) WIRING HARNESS, MAIN - FLHTK (3 OF 10) WIRING HARNESS, MAIN - FLHR, FLHRXS (3 OF 10) WIRING HARNESS, MAIN - FLTRX, FLTRXS (3 OF 10) WIRING HARNESS, MAIN - FLTRK (3 OF 10)
72023-51E	BRAKE CONTROL, REAR SWITCHES (1 OF 2)
72038-71A	NACELLE AND HEADLAMP - FLHR AND FLHRXS (1 OF 2) NACELLE AND HEADLAMP - FLHR AND FLHRXS (1 OF 2)

72039-71A	WIRING HARNESS, MAIN - FLHR, FLHRXS (1 OF 10) WIRING HARNESS, MAIN - FLHR, FLHRXS (2 OF 10)
72053-92	HANDLEBAR
72062-06	WIRING HARNESS, MAIN - FLHT, FLHX, FLHXS AND FLH (2 OF 10) WIRING HARNESS, MAIN - FLHTK (2 OF 10) WIRING HARNESS, MAIN - FLTRX, FLTRXS (2 OF 10) WIRING HARNESS, MAIN - FLTRK (2 OF 10) WIRING HARNESS, CONSOLE - FLHR AND FLHRXS
72063-06	RADIATOR, COOLANT HOSES AND BOTTLE - TWIN-COOLED™
72064-06	WIRING HARNESS, MAIN - FLHT, FLHX, FLHXS AND FLH (10 OF 10) WIRING HARNESS, MAIN - FLHTK (10 OF 10) WIRING HARNESS, MAIN - FLHR, FLHRXS (10 OF 10) WIRING HARNESS, MAIN - FLTRX, FLTRXS (10 OF 10) WIRING HARNESS, MAIN - FLTRK (10 OF 10)
72065-06A	WIRING HARNESS, MAIN - FLHT, FLHX, FLHXS AND FLH (8 OF 10) WIRING HARNESS, MAIN - FLHTK (8 OF 10) WIRING HARNESS, MAIN - FLHR, FLHRXS (8 OF 10) WIRING HARNESS, MAIN - FLTRX, FLTRXS (8 OF 10) WIRING HARNESS, MAIN - FLTRK (8 OF 10)
72066-06A	FAIRING, INNER - FLTRK, FLTRX AND FLTRXS (1 OF 2) WIRING HARNESS, FAIRING - FLHT, FLHX, FLHXS AND FLH WIRING HARNESS, FAIRING - FLHTK
72081-11	WIRING HARNESS, MAIN - FLHT, FLHX, FLHXS AND FLH (9 OF 10) WIRING HARNESS, MAIN - FLHTK (9 OF 10) WIRING HARNESS, MAIN - FLHR, FLHRXS (9 OF 10) WIRING HARNESS, MAIN - FLTRX, FLTRXS (9 OF 10) WIRING HARNESS, MAIN - FLTRK (9 OF 10)
72097-06	FAIRING, INNER - FLTRK, FLTRX AND FLTRXS (1 OF 2) WIRING HARNESS, FAIRING - FLHT, FLHX, FLHXS AND FLH WIRING HARNESS, FAIRING - FLHTK
72098-06	WIRING HARNESS, MAIN - FLHT, FLHX, FLHXS AND FLH (3 OF 10) WIRING HARNESS, MAIN - FLHTK (3 OF 10) WIRING HARNESS, MAIN - FLHR, FLHRXS (3 OF 10) WIRING HARNESS, MAIN - FLTRX, FLTRXS (3 OF 10) WIRING HARNESS, MAIN - FLTRK (3 OF 10)
72099-06	WIRING HARNESS, MAIN - FLHT, FLHX, FLHXS AND FLH (3 OF 10) WIRING HARNESS, MAIN - FLHTK (3 OF 10) WIRING HARNESS, MAIN - FLHR, FLHRXS (3 OF 10) WIRING HARNESS, MAIN - FLTRX, FLTRXS (3 OF 10) WIRING HARNESS, MAIN - FLTRK (3 OF 10)
72110-06	WIRING HARNESS, MAIN - FLHT, FLHX, FLHXS AND FLH (3 OF 10) WIRING HARNESS, MAIN - FLHTK (3 OF 10) WIRING HARNESS, MAIN - FLHR, FLHRXS (3 OF 10) WIRING HARNESS, MAIN - FLTRX, FLTRXS (3 OF 10) WIRING HARNESS, MAIN - FLTRK (3 OF 10)
72111-06	RADIATOR, COOLANT HOSES AND BOTTLE - TWIN-COOLED™
72127-06	WIRING HARNESS, MAIN - FLHT, FLHX, FLHXS AND FLH (8 OF 10) WIRING HARNESS, MAIN - FLHTK (8 OF 10)

	WIRING HARNESS, MAIN - FLHR, FLHRXS (8 OF 10) WIRING HARNESS, MAIN - FLTRX, FLTRXS (8 OF 10) WIRING HARNESS, MAIN - FLTRK (8 OF 10)
72130-04	TAIL LAMP AND TURN SIGNALS, REAR - FLHT AND FLH TAIL LAMP AND TURN SIGNALS, REAR - FLHRXS, FLHX, FLHXS, FLTRX, FLTRXS TAIL LAMP AND TURN SIGNALS, REAR - FLHRXS, FLHX, FLHXS, FLTRX, FLTRXS WIRING HARNESS, MAIN - FLTRX, FLTRXS (1 OF 10) WIRING HARNESS, MAIN - FLTRK (1 OF 10) WIRING HARNESS, FAIRING - FLHT, FLHX, FLHXS AND FLH WIRING HARNESS, FAIRING - FLHTK WIRING HARNESS, CONSOLE - FLHR AND FLHRXS
72135-06	FAIRING, INNER - FLTRK, FLTRX AND FLTRXS (1 OF 2) WIRING HARNESS, FAIRING - FLHT, FLHX, FLHXS AND FLH WIRING HARNESS, FAIRING - FLHTK
72145-06	WIRING HARNESS, MAIN - FLHT, FLHX, FLHXS AND FLH (3 OF 10) WIRING HARNESS, MAIN - FLHTK (3 OF 10) WIRING HARNESS, MAIN - FLHR, FLHRXS (3 OF 10) WIRING HARNESS, MAIN - FLTRX, FLTRXS (3 OF 10) WIRING HARNESS, MAIN - FLTRK (3 OF 10)
72160-06	AUXILIARY/FOG LAMPS AND TURN SIGNALS, FRONT - FLHR
72161-06	AUXILIARY/FOG LAMPS AND TURN SIGNALS, FRONT - FLHR
72166-07BK	WIRING HARNESS, MAIN - FLHT, FLHX, FLHXS AND FLH (1 OF 10) WIRING HARNESS, MAIN - FLHTK (1 OF 10) WIRING HARNESS, FAIRING - FLTRK, FLTRX AND FLTRXS LAMPS AND SPEAKER HOUSINGS, ULTRA TOUR-PAK (1 OF 2)
72167-07BK	WIRING HARNESS, MAIN - FLHTK (5 OF 10) WIRING HARNESS, MAIN - FLTRX, FLTRXS (2 OF 10) WIRING HARNESS, MAIN - FLTRK (2 OF 10) WIRING HARNESS, MAIN - FLTRK (5 OF 10) WIRING HARNESS, FAIRING - FLHT, FLHX, FLHXS AND FLH WIRING HARNESS, FAIRING - FLHTK
72168-07	RADIATOR, COOLANT HOSES AND BOTTLE - TWIN-COOLED™ CONSOLE, FUEL TANK - FLHT, FLHTK, FLHX, FLH, FLTRK AND FLTRX (2 OF 2) CONSOLE, FUEL TANK - FLHXS, FLTRXS FUEL PUMP - FLHT, FLHTK, FLHX, FLH, FLTRK AND FLTRX TAIL LAMP AND TURN SIGNALS, REAR - FLHT AND FLH TAIL LAMP AND TURN SIGNALS, REAR - FLHRXS, FLHX, FLHXS, FLTRX, FLTRXS TAIL LAMP AND TURN SIGNALS, REAR - FLHR TAIL LAMP AND TURN SIGNALS, REAR - FLHTK, FLTRK (HDI) TAIL LAMP (2 OF 2) WIRING HARNESS, MAIN - FLHT, FLHX, FLHXS AND FLH (1 OF 10) WIRING HARNESS, MAIN - FLHT, FLHX, FLHXS AND FLH (2 OF 10) WIRING HARNESS, MAIN - FLHT, FLHX, FLHXS AND FLH (7 OF 10) WIRING HARNESS, MAIN - FLHT, FLHX, FLHXS AND FLH (8 OF 10) WIRING HARNESS, MAIN - FLHTK (1 OF 10) WIRING HARNESS, MAIN - FLHTK (2 OF 10) WIRING HARNESS, MAIN - FLHTK (5 OF 10) WIRING HARNESS, MAIN - FLHTK (7 OF 10) WIRING HARNESS, MAIN - FLHTK (8 OF 10) WIRING HARNESS, MAIN - FLHR, FLHRXS (7 OF 10) WIRING HARNESS, MAIN - FLHR, FLHRXS (8 OF 10) WIRING HARNESS, MAIN - FLTRX, FLTRXS (1 OF 10) WIRING HARNESS, MAIN - FLTRX, FLTRXS (2 OF 10) WIRING HARNESS, MAIN - FLTRX, FLTRXS (7 OF 10)

	<p>WIRING HARNESS, MAIN - FLTRX, FLTRXS (8 OF 10)</p> <p>WIRING HARNESS, MAIN - FLTRK (1 OF 10)</p> <p>WIRING HARNESS, MAIN - FLTRK (2 OF 10)</p> <p>WIRING HARNESS, MAIN - FLTRK (5 OF 10)</p> <p>WIRING HARNESS, MAIN - FLTRK (7 OF 10)</p> <p>WIRING HARNESS, MAIN - FLTRK (8 OF 10)</p> <p>WIRING HARNESS, CONSOLE - FLHR AND FLHRXS</p> <p>WIRING HARNESS, FAIRING - FLTRK, FLTRX AND FLTRXS</p> <p>INTERCOM CONTROL POD</p> <p>LAMPS AND SPEAKER HOUSINGS, ULTRA TOUR-PAK (1 OF 2)</p>
72169-07	<p>FRAME AND JIFFY STAND - FLHRXS, FLHXS, FLTRXS</p> <p>FRAME AND JIFFY STAND - FLHR, FLHT, FLHTK, FLHX, FLH, FLTRK, FLTRX (2 OF 2)</p> <p>WIRING HARNESS, MAIN - FLHT, FLHX, FLHXS AND FLH (2 OF 10)</p> <p>WIRING HARNESS, MAIN - FLHT, FLHX, FLHXS AND FLH (5 OF 10)</p> <p>WIRING HARNESS, MAIN - FLHT, FLHX, FLHXS AND FLH (7 OF 10)</p> <p>WIRING HARNESS, MAIN - FLHT, FLHX, FLHXS AND FLH (8 OF 10)</p> <p>WIRING HARNESS, MAIN - FLHT, FLHX, FLHXS AND FLH (10 OF 10)</p> <p>WIRING HARNESS, MAIN - FLHTK (2 OF 10)</p> <p>WIRING HARNESS, MAIN - FLHTK (5 OF 10)</p> <p>WIRING HARNESS, MAIN - FLHTK (7 OF 10)</p> <p>WIRING HARNESS, MAIN - FLHTK (8 OF 10)</p> <p>WIRING HARNESS, MAIN - FLHTK (10 OF 10)</p> <p>WIRING HARNESS, MAIN - FLHR, FLHRXS (5 OF 10)</p> <p>WIRING HARNESS, MAIN - FLHR, FLHRXS (7 OF 10)</p> <p>WIRING HARNESS, MAIN - FLHR, FLHRXS (8 OF 10)</p> <p>WIRING HARNESS, MAIN - FLHR, FLHRXS (10 OF 10)</p> <p>WIRING HARNESS, MAIN - FLTRX, FLTRXS (1 OF 10)</p> <p>WIRING HARNESS, MAIN - FLTRX, FLTRXS (2 OF 10)</p> <p>WIRING HARNESS, MAIN - FLTRX, FLTRXS (5 OF 10)</p> <p>WIRING HARNESS, MAIN - FLTRX, FLTRXS (7 OF 10)</p> <p>WIRING HARNESS, MAIN - FLTRX, FLTRXS (8 OF 10)</p> <p>WIRING HARNESS, MAIN - FLTRX, FLTRXS (10 OF 10)</p> <p>WIRING HARNESS, MAIN - FLTRK (1 OF 10)</p> <p>WIRING HARNESS, MAIN - FLTRK (2 OF 10)</p> <p>WIRING HARNESS, MAIN - FLTRK (5 OF 10)</p> <p>WIRING HARNESS, MAIN - FLTRK (7 OF 10)</p> <p>WIRING HARNESS, MAIN - FLTRK (8 OF 10)</p> <p>WIRING HARNESS, MAIN - FLTRK (10 OF 10)</p> <p>WIRING HARNESS, FAIRING - FLHT, FLHX, FLHXS AND FLH</p> <p>WIRING HARNESS, FAIRING - FLHTK</p> <p>SOUND SYSTEM - FLHTK, FLHX, FLHXS AND FLH (1 OF 2)</p> <p>SOUND SYSTEM - FLTRK, FLTRX AND FLTRXS (1 OF 2)</p> <p>LAMPS AND SPEAKER HOUSINGS, ULTRA TOUR-PAK (1 OF 2)</p>
72175-07BK	<p>WIRING HARNESS, MAIN - FLHT, FLHX, FLHXS AND FLH (2 OF 10)</p> <p>WIRING HARNESS, MAIN - FLHT, FLHX, FLHXS AND FLH (7 OF 10)</p> <p>WIRING HARNESS, MAIN - FLHT, FLHX, FLHXS AND FLH (8 OF 10)</p> <p>WIRING HARNESS, MAIN - FLHT, FLHX, FLHXS AND FLH (10 OF 10)</p> <p>WIRING HARNESS, MAIN - FLHTK (7 OF 10)</p> <p>WIRING HARNESS, MAIN - FLHTK (8 OF 10)</p> <p>WIRING HARNESS, MAIN - FLHTK (10 OF 10)</p> <p>WIRING HARNESS, MAIN - FLHR, FLHRXS (7 OF 10)</p> <p>WIRING HARNESS, MAIN - FLHR, FLHRXS (8 OF 10)</p> <p>WIRING HARNESS, MAIN - FLTRX, FLTRXS (2 OF 10)</p> <p>WIRING HARNESS, MAIN - FLTRX, FLTRXS (7 OF 10)</p> <p>WIRING HARNESS, MAIN - FLTRX, FLTRXS (10 OF 10)</p> <p>WIRING HARNESS, MAIN - FLTRK (7 OF 10)</p> <p>WIRING HARNESS, MAIN - FLTRK (8 OF 10)</p> <p>WIRING HARNESS, MAIN - FLTRK (10 OF 10)</p>
72177-07BK	<p>RADIATOR, COOLANT HOSES AND BOTTLE - TWIN-COOLED™</p>

	EXHAUST SYSTEM (1 OF 2)
72188-07BK	WIRING HARNESS, MAIN - FLHT, FLHX, FLHXS AND FLH (10 OF 10) WIRING HARNESS, MAIN - FLHTK (5 OF 10) WIRING HARNESS, MAIN - FLHTK (10 OF 10) WIRING HARNESS, MAIN - FLHR, FLHRXS (10 OF 10) WIRING HARNESS, MAIN - FLTRX, FLTRXS (10 OF 10) WIRING HARNESS, MAIN - FLTRK (5 OF 10) WIRING HARNESS, MAIN - FLTRK (10 OF 10) LAMPS AND SPEAKER HOUSINGS, ULTRA TOUR-PAK (1 OF 2)
72189-04	TAIL LAMP AND TURN SIGNALS, REAR - FLHT AND FLH TAIL LAMP AND TURN SIGNALS, REAR - FLHRXS, FLHX, FLHXS, FLTRX, FLTRXS TAIL LAMP AND TURN SIGNALS, REAR - FLHRXS, FLHX, FLHXS, FLTRX, FLTRXS WIRING HARNESS, MAIN - FLTRX, FLTRXS (1 OF 10) WIRING HARNESS, MAIN - FLTRK (1 OF 10) WIRING HARNESS, FAIRING - FLHT, FLHX, FLHXS AND FLH WIRING HARNESS, FAIRING - FLHTK WIRING HARNESS, CONSOLE - FLHR AND FLHRXS
72196-04	WIRING HARNESS, MAIN - FLTRK (1 OF 10)
72197-04	WIRING HARNESS, MAIN - FLTRK (1 OF 10)
72209-11	WIRING HARNESS, MAIN - FLHT, FLHX, FLHXS AND FLH (2 OF 10) WIRING HARNESS, MAIN - FLHT, FLHX, FLHXS AND FLH (9 OF 10) WIRING HARNESS, MAIN - FLHTK (2 OF 10) WIRING HARNESS, MAIN - FLHTK (9 OF 10) WIRING HARNESS, MAIN - FLHR, FLHRXS (9 OF 10) WIRING HARNESS, MAIN - FLTRX, FLTRXS (2 OF 10) WIRING HARNESS, MAIN - FLTRX, FLTRXS (9 OF 10) WIRING HARNESS, MAIN - FLTRK (2 OF 10) WIRING HARNESS, MAIN - FLTRK (7 OF 10) WIRING HARNESS, MAIN - FLTRK (9 OF 10)
72213-94	RADIATOR, COOLANT HOSES AND BOTTLE - TWIN-COOLED™ WIRING HARNESS, MAIN - FLHT, FLHX, FLHXS AND FLH (2 OF 10) WIRING HARNESS, MAIN - FLHT, FLHX, FLHXS AND FLH (4 OF 10) WIRING HARNESS, MAIN - FLHT, FLHX, FLHXS AND FLH (7 OF 10) WIRING HARNESS, MAIN - FLHTK (2 OF 10) WIRING HARNESS, MAIN - FLHTK (4 OF 10) WIRING HARNESS, MAIN - FLHTK (7 OF 10) WIRING HARNESS, MAIN - FLHR, FLHRXS (4 OF 10) WIRING HARNESS, MAIN - FLHR, FLHRXS (7 OF 10) WIRING HARNESS, MAIN - FLTRX, FLTRXS (2 OF 10) WIRING HARNESS, MAIN - FLTRX, FLTRXS (4 OF 10) WIRING HARNESS, MAIN - FLTRX, FLTRXS (7 OF 10) WIRING HARNESS, MAIN - FLTRK (2 OF 10) WIRING HARNESS, MAIN - FLTRK (4 OF 10) WIRING HARNESS, MAIN - FLTRK (7 OF 10) WIRING HARNESS, FAIRING - FLHT, FLHX, FLHXS AND FLH WIRING HARNESS, FAIRING - FLHTK WIRING HARNESS, FAIRING - FLTRK, FLTRX AND FLTRXS LAMPS AND SPEAKER HOUSINGS, ULTRA TOUR-PAK (1 OF 2)
72214-94	WINDSHIELD, FAIRING AND HEADLAMP - FLHT, FLHTK, FLHX, FLHXS AND FLH (1 OF 2)
72222-11	WIRING HARNESS, MAIN - FLHT, FLHX, FLHXS AND FLH (2 OF 10) WIRING HARNESS, MAIN - FLHT, FLHX, FLHXS AND FLH (9 OF 10) WIRING HARNESS, MAIN - FLHTK (2 OF 10) WIRING HARNESS, MAIN - FLHTK (9 OF 10) WIRING HARNESS, MAIN - FLHR, FLHRXS (9 OF 10)

	WIRING HARNESS, MAIN - FLTRX, FLTRXS (2 OF 10) WIRING HARNESS, MAIN - FLTRX, FLTRXS (9 OF 10) WIRING HARNESS, MAIN - FLTRK (2 OF 10) WIRING HARNESS, MAIN - FLTRK (9 OF 10)
72226-11	WIRING HARNESS, MAIN - FLHT, FLHX, FLHXS AND FLH (2 OF 10) WIRING HARNESS, MAIN - FLHT, FLHX, FLHXS AND FLH (9 OF 10) WIRING HARNESS, MAIN - FLHTK (2 OF 10) WIRING HARNESS, MAIN - FLHTK (9 OF 10) WIRING HARNESS, MAIN - FLHR, FLHRXS (9 OF 10) WIRING HARNESS, MAIN - FLTRX, FLTRXS (2 OF 10) WIRING HARNESS, MAIN - FLTRX, FLTRXS (9 OF 10) WIRING HARNESS, MAIN - FLTRK (2 OF 10) WIRING HARNESS, MAIN - FLTRK (9 OF 10)
72227-11	WIRING HARNESS, MAIN - FLHT, FLHX, FLHXS AND FLH (9 OF 10) WIRING HARNESS, MAIN - FLHTK (9 OF 10) WIRING HARNESS, MAIN - FLHR, FLHRXS (9 OF 10) WIRING HARNESS, MAIN - FLTRX, FLTRXS (9 OF 10) WIRING HARNESS, MAIN - FLTRK (9 OF 10)
72232-96	WIRING HARNESS, MAIN - FLHT, FLHX, FLHXS AND FLH (8 OF 10) WIRING HARNESS, MAIN - FLHR, FLHRXS (8 OF 10) WIRING HARNESS, MAIN - FLTRX, FLTRXS (8 OF 10)
72241-94A	HANDLEBAR
72256-11	WIRING HARNESS, MAIN - FLHT, FLHX, FLHXS AND FLH (2 OF 10) WIRING HARNESS, MAIN - FLHT, FLHX, FLHXS AND FLH (9 OF 10) WIRING HARNESS, MAIN - FLHTK (2 OF 10) WIRING HARNESS, MAIN - FLHTK (9 OF 10) WIRING HARNESS, MAIN - FLHR, FLHRXS (9 OF 10) WIRING HARNESS, MAIN - FLTRX, FLTRXS (2 OF 10) WIRING HARNESS, MAIN - FLTRX, FLTRXS (9 OF 10) WIRING HARNESS, MAIN - FLTRK (2 OF 10) WIRING HARNESS, MAIN - FLTRK (9 OF 10)
72264-94	FAIRING, INNER - FLTRK, FLTRX AND FLTRXS (1 OF 2) WIRING HARNESS, FAIRING - FLHT, FLHX, FLHXS AND FLH WIRING HARNESS, FAIRING - FLHTK
72272-07	WIRING HARNESS, MAIN - FLHT, FLHX, FLHXS AND FLH (1 OF 10) WIRING HARNESS, MAIN - FLHTK (1 OF 10) WIRING HARNESS, FAIRING - FLHT, FLHX, FLHXS AND FLH WIRING HARNESS, FAIRING - FLHTK WIRING HARNESS, FAIRING - FLTRK, FLTRX AND FLTRXS SOUND SYSTEM - FLHTK, FLHX, FLHXS AND FLH (2 OF 2)
72283-09	WIRING HARNESS, MAIN - FLHT, FLHX, FLHXS AND FLH (3 OF 10) WIRING HARNESS, MAIN - FLHTK (3 OF 10) WIRING HARNESS, MAIN - FLHR, FLHRXS (3 OF 10) WIRING HARNESS, MAIN - FLTRX, FLTRXS (3 OF 10) WIRING HARNESS, MAIN - FLTRK (3 OF 10)
72290-94	SOUND SYSTEM - FLHTK, FLHX, FLHXS AND FLH (1 OF 2) SOUND SYSTEM - FLTRK, FLTRX AND FLTRXS (1 OF 2) LAMPS AND SPEAKER HOUSINGS, ULTRA TOUR-PAK (1 OF 2)
72291-94	WIRING HARNESS, MAIN - FLHT, FLHX, FLHXS AND FLH (6 OF 10) WIRING HARNESS, MAIN - FLHTK (6 OF 10) WIRING HARNESS, MAIN - FLHR, FLHRXS (6 OF 10) WIRING HARNESS, MAIN - FLTRX, FLTRXS (6 OF 10)

	WIRING HARNESS, MAIN - FLTRK (6 OF 10)
72294-94	SOUND SYSTEM - FLHTK, FLHX, FLHXS AND FLH (1 OF 2) SOUND SYSTEM - FLTRK, FLTRX AND FLTRXS (1 OF 2)
72295-94	WIRING HARNESS, MAIN - FLHT, FLHX, FLHXS AND FLH (6 OF 10) WIRING HARNESS, MAIN - FLHTK (6 OF 10) WIRING HARNESS, MAIN - FLHR, FLHRXS (6 OF 10) WIRING HARNESS, MAIN - FLTRX, FLTRXS (6 OF 10) WIRING HARNESS, MAIN - FLTRK (6 OF 10)
72296-95	WIRING HARNESS, MAIN - FLHT, FLHX, FLHXS AND FLH (9 OF 10) WIRING HARNESS, MAIN - FLHTK (9 OF 10) WIRING HARNESS, MAIN - FLHR, FLHRXS (9 OF 10) WIRING HARNESS, MAIN - FLTRX, FLTRXS (9 OF 10) WIRING HARNESS, MAIN - FLTRK (9 OF 10)
72298-95	AUXILIARY/FOG LAMPS AND TURN SIGNALS, FRONT - FLHR AUXILIARY/FOG LAMPS AND TURN SIGNALS, FRONT - FLHTK AND FLH (2 OF 2) WIRING HARNESS, MAIN - FLHT, FLHX, FLHXS AND FLH (9 OF 10) WIRING HARNESS, MAIN - FLHTK (9 OF 10) WIRING HARNESS, MAIN - FLHR, FLHRXS (9 OF 10) WIRING HARNESS, MAIN - FLTRX, FLTRXS (9 OF 10) WIRING HARNESS, MAIN - FLTRK (9 OF 10)
72299-95	WIRING HARNESS, MAIN - FLHT, FLHX, FLHXS AND FLH (9 OF 10) WIRING HARNESS, MAIN - FLHTK (9 OF 10) WIRING HARNESS, MAIN - FLHR, FLHRXS (9 OF 10) WIRING HARNESS, MAIN - FLTRX, FLTRXS (9 OF 10) WIRING HARNESS, MAIN - FLTRK (9 OF 10)
72308-97	WIRING HARNESS, MAIN - FLHT, FLHX, FLHXS AND FLH (9 OF 10) WIRING HARNESS, MAIN - FLHTK (9 OF 10) WIRING HARNESS, MAIN - FLHR, FLHRXS (9 OF 10) WIRING HARNESS, MAIN - FLTRX, FLTRXS (9 OF 10) WIRING HARNESS, MAIN - FLTRK (9 OF 10)
72330-95	WIRING HARNESS, MAIN - FLHT, FLHX, FLHXS AND FLH (9 OF 10) WIRING HARNESS, MAIN - FLHTK (9 OF 10) WIRING HARNESS, MAIN - FLHR, FLHRXS (9 OF 10) WIRING HARNESS, MAIN - FLTRX, FLTRXS (9 OF 10) WIRING HARNESS, MAIN - FLTRK (9 OF 10)
72331-95	WIRING HARNESS, MAIN - FLHT, FLHX, FLHXS AND FLH (9 OF 10) WIRING HARNESS, MAIN - FLHTK (9 OF 10) WIRING HARNESS, MAIN - FLHR, FLHRXS (9 OF 10) WIRING HARNESS, MAIN - FLTRX, FLTRXS (9 OF 10) WIRING HARNESS, MAIN - FLTRK (9 OF 10)
72343-10	WIRING HARNESS, MAIN - FLHT, FLHX, FLHXS AND FLH (7 OF 10) WIRING HARNESS, MAIN - FLHT, FLHX, FLHXS AND FLH (8 OF 10) WIRING HARNESS, MAIN - FLHTK (7 OF 10) WIRING HARNESS, MAIN - FLHTK (8 OF 10) WIRING HARNESS, MAIN - FLHR, FLHRXS (7 OF 10) WIRING HARNESS, MAIN - FLHR, FLHRXS (8 OF 10) WIRING HARNESS, MAIN - FLTRX, FLTRXS (7 OF 10) WIRING HARNESS, MAIN - FLTRX, FLTRXS (8 OF 10) WIRING HARNESS, MAIN - FLTRK (7 OF 10) WIRING HARNESS, MAIN - FLTRK (8 OF 10)
72344-10	EXHAUST SYSTEM (1 OF 2)

72345-02	WIRING HARNESS, MAIN - FLHT, FLHX, FLHXS AND FLH (9 OF 10) WIRING HARNESS, MAIN - FLHTK (9 OF 10) WIRING HARNESS, MAIN - FLHR, FLHRXS (9 OF 10) WIRING HARNESS, MAIN - FLTRX, FLTRXS (9 OF 10) WIRING HARNESS, MAIN - FLTRK (9 OF 10)
72350-11	WIRING HARNESS, MAIN - FLHT, FLHX, FLHXS AND FLH (10 OF 10) WIRING HARNESS, MAIN - FLHTK (10 OF 10) WIRING HARNESS, MAIN - FLHR, FLHRXS (10 OF 10) WIRING HARNESS, MAIN - FLTRX, FLTRXS (10 OF 10) WIRING HARNESS, MAIN - FLTRK (10 OF 10)
72356-95	AUXILIARY/FOG LAMPS AND TURN SIGNALS, FRONT - FLHR AUXILIARY/FOG LAMPS AND TURN SIGNALS, FRONT - FLHTK AND FLH (2 OF 2) WIRING HARNESS, MAIN - FLHT, FLHX, FLHXS AND FLH (9 OF 10) WIRING HARNESS, MAIN - FLHTK (9 OF 10) WIRING HARNESS, MAIN - FLHR, FLHRXS (9 OF 10) WIRING HARNESS, MAIN - FLTRX, FLTRXS (9 OF 10) WIRING HARNESS, MAIN - FLTRK (9 OF 10)
72364-06	WIRING HARNESS, MAIN - FLHT, FLHX, FLHXS AND FLH (1 OF 10) WIRING HARNESS, MAIN - FLHTK (1 OF 10) WIRING HARNESS, MAIN - FLHR, FLHRXS (1 OF 10) WIRING HARNESS, MAIN - FLTRX, FLTRXS (1 OF 10) WIRING HARNESS, MAIN - FLTRK (1 OF 10)
72405-98BK	WIRING HARNESS, MAIN - FLHT, FLHX, FLHXS AND FLH (6 OF 10) WIRING HARNESS, MAIN - FLHTK (6 OF 10) WIRING HARNESS, MAIN - FLHR, FLHRXS (6 OF 10) WIRING HARNESS, MAIN - FLTRX, FLTRXS (6 OF 10) WIRING HARNESS, MAIN - FLTRK (6 OF 10)
72412-97	WIRING HARNESS, MAIN - FLHT, FLHX, FLHXS AND FLH (9 OF 10) WIRING HARNESS, MAIN - FLHTK (9 OF 10) WIRING HARNESS, MAIN - FLHR, FLHRXS (9 OF 10) WIRING HARNESS, MAIN - FLTRX, FLTRXS (9 OF 10) WIRING HARNESS, MAIN - FLTRK (9 OF 10)
72414-07BK	TAIL LAMP AND TURN SIGNALS, REAR - FLHT AND FLH TAIL LAMP AND TURN SIGNALS, REAR - FLHRXS, FLHX, FLHXS, FLTRX, FLTRXS TAIL LAMP AND TURN SIGNALS, REAR - FLHR TAIL LAMP AND TURN SIGNALS, REAR - FLHTK, FLTRK (HDI) TAIL LAMP (2 OF 2) WIRING HARNESS, MAIN - FLHT, FLHX, FLHXS AND FLH (1 OF 10) WIRING HARNESS, MAIN - FLHT, FLHX, FLHXS AND FLH (2 OF 10) WIRING HARNESS, MAIN - FLHTK (1 OF 10) WIRING HARNESS, MAIN - FLHTK (2 OF 10) WIRING HARNESS, MAIN - FLHTK (5 OF 10) WIRING HARNESS, MAIN - FLTRX, FLTRXS (1 OF 10) WIRING HARNESS, MAIN - FLTRX, FLTRXS (2 OF 10) WIRING HARNESS, MAIN - FLTRK (1 OF 10) WIRING HARNESS, MAIN - FLTRK (2 OF 10) WIRING HARNESS, MAIN - FLTRK (5 OF 10) INTERCOM CONTROL POD
72415-07GY	WIRING HARNESS, MAIN - FLHT, FLHX, FLHXS AND FLH (5 OF 10) WIRING HARNESS, MAIN - FLHT, FLHX, FLHXS AND FLH (7 OF 10) WIRING HARNESS, MAIN - FLHTK (5 OF 10) WIRING HARNESS, MAIN - FLHTK (7 OF 10) WIRING HARNESS, MAIN - FLHR, FLHRXS (7 OF 10) WIRING HARNESS, MAIN - FLTRX, FLTRXS (5 OF 10)

	WIRING HARNESS, MAIN - FLTRX, FLTRXS (7 OF 10) WIRING HARNESS, MAIN - FLTRX, FLTRXS (8 OF 10) WIRING HARNESS, MAIN - FLTRK (5 OF 10) WIRING HARNESS, MAIN - FLTRK (7 OF 10)
72444-07GY	CONSOLE, FUEL TANK - FLHT, FLHTK, FLHX, FLH, FLTRK AND FLTRX (2 OF 2) CONSOLE, FUEL TANK - FLHXS, FLTRXS FUEL PUMP - FLHT, FLHTK, FLHX, FLH, FLTRK AND FLTRX EXHAUST SYSTEM (1 OF 2)
72449-01	WINDSHIELD, FAIRING AND HEADLAMP - FLHT, FLHTK, FLHX, FLHXS AND FLH (1 OF 2) WIRING HARNESS, MAIN - FLHR, FLHRXS (2 OF 10)
72450-01	WINDSHIELD, FAIRING AND HEADLAMP - FLHT, FLHTK, FLHX, FLHXS AND FLH (1 OF 2) WIRING HARNESS, MAIN - FLHR, FLHRXS (2 OF 10)
72473-07	WIRING HARNESS, MAIN - FLHT, FLHX, FLHXS AND FLH (1 OF 10) WIRING HARNESS, MAIN - FLHT, FLHX, FLHXS AND FLH (2 OF 10) WIRING HARNESS, MAIN - FLHT, FLHX, FLHXS AND FLH (7 OF 10) WIRING HARNESS, MAIN - FLHTK (1 OF 10) WIRING HARNESS, MAIN - FLHTK (2 OF 10) WIRING HARNESS, MAIN - FLHTK (5 OF 10) WIRING HARNESS, MAIN - FLHTK (7 OF 10) WIRING HARNESS, MAIN - FLHR, FLHRXS (7 OF 10) WIRING HARNESS, MAIN - FLTRX, FLTRXS (1 OF 10) WIRING HARNESS, MAIN - FLTRX, FLTRXS (2 OF 10) WIRING HARNESS, MAIN - FLTRX, FLTRXS (7 OF 10) WIRING HARNESS, MAIN - FLTRK (1 OF 10) WIRING HARNESS, MAIN - FLTRK (2 OF 10) WIRING HARNESS, MAIN - FLTRK (5 OF 10) WIRING HARNESS, MAIN - FLTRK (7 OF 10) WIRING HARNESS, FAIRING - FLHT, FLHX, FLHXS AND FLH WIRING HARNESS, FAIRING - FLHT, FLHX, FLHXS AND FLH WIRING HARNESS, FAIRING - FLHTK WIRING HARNESS, FAIRING - FLTRK, FLTRX AND FLTRXS LAMPS AND SPEAKER HOUSINGS, ULTRA TOUR-PAK (1 OF 2)
72478-07BK	WIRING HARNESS, MAIN - FLHR, FLHRXS (5 OF 10)
72479-07BK	WIRING HARNESS, CONSOLE - FLHR AND FLHRXS
72484-08	RADIATOR, COOLANT HOSES AND BOTTLE - TWIN-COOLED™ FAIRING, INNER - FLTRK, FLTRX AND FLTRXS (1 OF 2) WIRING HARNESS, MAIN - FLHT, FLHX, FLHXS AND FLH (2 OF 10) WIRING HARNESS, MAIN - FLHT, FLHX, FLHXS AND FLH (7 OF 10) WIRING HARNESS, MAIN - FLHT, FLHX, FLHXS AND FLH (8 OF 10) WIRING HARNESS, MAIN - FLHT, FLHX, FLHXS AND FLH (10 OF 10) WIRING HARNESS, MAIN - FLHTK (2 OF 10) WIRING HARNESS, MAIN - FLHTK (7 OF 10) WIRING HARNESS, MAIN - FLHTK (8 OF 10) WIRING HARNESS, MAIN - FLHTK (10 OF 10) WIRING HARNESS, MAIN - FLHR, FLHRXS (7 OF 10) WIRING HARNESS, MAIN - FLHR, FLHRXS (8 OF 10) WIRING HARNESS, MAIN - FLHR, FLHRXS (10 OF 10) WIRING HARNESS, MAIN - FLTRX, FLTRXS (2 OF 10) WIRING HARNESS, MAIN - FLTRX, FLTRXS (7 OF 10) WIRING HARNESS, MAIN - FLTRX, FLTRXS (8 OF 10) WIRING HARNESS, MAIN - FLTRX, FLTRXS (10 OF 10) WIRING HARNESS, MAIN - FLTRK (2 OF 10) WIRING HARNESS, MAIN - FLTRK (7 OF 10) WIRING HARNESS, MAIN - FLTRK (8 OF 10) WIRING HARNESS, MAIN - FLTRK (10 OF 10)

	WIRING HARNESS, FAIRING - FLHT, FLHX, FLHXS AND FLH WIRING HARNESS, FAIRING - FLHTK WIRING HARNESS, CONSOLE - FLHR AND FLHRXS
72485-07	CONSOLE, FUEL TANK - FLHT, FLHTK, FLHX, FLH, FLTRK AND FLTRX (2 OF 2) CONSOLE, FUEL TANK - FLHXS, FLTRXS FUEL PUMP - FLHT, FLHTK, FLHX, FLH, FLTRK AND FLTRX WIRING HARNESS, CONSOLE - FLHR AND FLHRXS
72486-08	RADIATOR, COOLANT HOSES AND BOTTLE - TWIN-COOLED™ FAIRING, INNER - FLTRK, FLTRX AND FLTRXS (1 OF 2) WIRING HARNESS, MAIN - FLHT, FLHX, FLHXS AND FLH (2 OF 10) WIRING HARNESS, MAIN - FLHT, FLHX, FLHXS AND FLH (7 OF 10) WIRING HARNESS, MAIN - FLHT, FLHX, FLHXS AND FLH (8 OF 10) WIRING HARNESS, MAIN - FLHT, FLHX, FLHXS AND FLH (10 OF 10) WIRING HARNESS, MAIN - FLHTK (2 OF 10) WIRING HARNESS, MAIN - FLHTK (7 OF 10) WIRING HARNESS, MAIN - FLHTK (8 OF 10) WIRING HARNESS, MAIN - FLHTK (10 OF 10) WIRING HARNESS, MAIN - FLHR, FLHRXS (7 OF 10) WIRING HARNESS, MAIN - FLHR, FLHRXS (8 OF 10) WIRING HARNESS, MAIN - FLHR, FLHRXS (10 OF 10) WIRING HARNESS, MAIN - FLTRX, FLTRXS (2 OF 10) WIRING HARNESS, MAIN - FLTRX, FLTRXS (7 OF 10) WIRING HARNESS, MAIN - FLTRX, FLTRXS (8 OF 10) WIRING HARNESS, MAIN - FLTRX, FLTRXS (10 OF 10) WIRING HARNESS, MAIN - FLTRK (2 OF 10) WIRING HARNESS, MAIN - FLTRK (7 OF 10) WIRING HARNESS, MAIN - FLTRK (8 OF 10) WIRING HARNESS, MAIN - FLTRK (10 OF 10) WIRING HARNESS, FAIRING - FLHT, FLHX, FLHXS AND FLH WIRING HARNESS, FAIRING - FLHTK WIRING HARNESS, CONSOLE - FLHR AND FLHRXS
72488-07BK	WIRING HARNESS, MAIN - FLHT, FLHX, FLHXS AND FLH (2 OF 10) WIRING HARNESS, MAIN - FLHTK (2 OF 10) WIRING HARNESS, MAIN - FLTRX, FLTRXS (2 OF 10) WIRING HARNESS, MAIN - FLTRK (2 OF 10)
72489-07GY	WIRING HARNESS, MAIN - FLHT, FLHX, FLHXS AND FLH (1 OF 10) WIRING HARNESS, MAIN - FLHTK (1 OF 10) WIRING HARNESS, FAIRING - FLTRK, FLTRX AND FLTRXS
72490-07GY	WIRING HARNESS, MAIN - FLHT, FLHX, FLHXS AND FLH (2 OF 10) WIRING HARNESS, MAIN - FLHTK (2 OF 10) WIRING HARNESS, MAIN - FLTRX, FLTRXS (1 OF 10) WIRING HARNESS, MAIN - FLTRX, FLTRXS (2 OF 10) WIRING HARNESS, MAIN - FLTRK (1 OF 10) WIRING HARNESS, MAIN - FLTRK (2 OF 10) WIRING HARNESS, FAIRING - FLHT, FLHX, FLHXS AND FLH WIRING HARNESS, FAIRING - FLHTK
72493-07	CONSOLE, FUEL TANK - FLHT, FLHTK, FLHX, FLH, FLTRK AND FLTRX (2 OF 2) CONSOLE, FUEL TANK - FLHXS, FLTRXS FUEL PUMP - FLHT, FLHTK, FLHX, FLH, FLTRK AND FLTRX WIRING HARNESS, CONSOLE - FLHR AND FLHRXS
72494-07	CONSOLE, FUEL TANK - FLHT, FLHTK, FLHX, FLH, FLTRK AND FLTRX (2 OF 2) CONSOLE, FUEL TANK - FLHXS, FLTRXS FUEL PUMP - FLHT, FLHTK, FLHX, FLH, FLTRK AND FLTRX WIRING HARNESS, CONSOLE - FLHR AND FLHRXS

72499-07	WIRING HARNESS, MAIN - FLHT, FLHX, FLHXS AND FLH (3 OF 10) WIRING HARNESS, MAIN - FLHT, FLHX, FLHXS AND FLH (10 OF 10) WIRING HARNESS, MAIN - FLHTK (3 OF 10) WIRING HARNESS, MAIN - FLHTK (10 OF 10) WIRING HARNESS, MAIN - FLHR, FLHRXS (3 OF 10) WIRING HARNESS, MAIN - FLHR, FLHRXS (10 OF 10) WIRING HARNESS, MAIN - FLTRX, FLTRXS (3 OF 10) WIRING HARNESS, MAIN - FLTRX, FLTRXS (10 OF 10) WIRING HARNESS, MAIN - FLTRK (3 OF 10) WIRING HARNESS, MAIN - FLTRK (10 OF 10)
72511-07BK	FRAME AND JIFFY STAND - FLHRXS, FLHXS, FLTRXS FRAME AND JIFFY STAND - FLHR, FLHT, FLHTK, FLHX, FLH, FLTRK, FLTRX (2 OF 2)
72512-07BK	WIRING HARNESS, MAIN - FLHT, FLHX, FLHXS AND FLH (7 OF 10) WIRING HARNESS, MAIN - FLHT, FLHX, FLHXS AND FLH (8 OF 10) WIRING HARNESS, MAIN - FLHTK (7 OF 10) WIRING HARNESS, MAIN - FLHTK (8 OF 10) WIRING HARNESS, MAIN - FLHR, FLHRXS (7 OF 10) WIRING HARNESS, MAIN - FLHR, FLHRXS (8 OF 10) WIRING HARNESS, MAIN - FLTRX, FLTRXS (7 OF 10) WIRING HARNESS, MAIN - FLTRX, FLTRXS (8 OF 10) WIRING HARNESS, MAIN - FLTRK (7 OF 10) WIRING HARNESS, MAIN - FLTRK (8 OF 10)
72518-01	WIRING HARNESS, MAIN - FLHT, FLHX, FLHXS AND FLH (4 OF 10) WIRING HARNESS, MAIN - FLHTK (4 OF 10) WIRING HARNESS, MAIN - FLHR, FLHRXS (4 OF 10) WIRING HARNESS, MAIN - FLTRX, FLTRXS (4 OF 10) WIRING HARNESS, MAIN - FLTRK (4 OF 10)
72519-09BK	WIRING HARNESS, MAIN - FLHT, FLHX, FLHXS AND FLH (7 OF 10) WIRING HARNESS, MAIN - FLHT, FLHX, FLHXS AND FLH (8 OF 10) WIRING HARNESS, MAIN - FLHTK (7 OF 10) WIRING HARNESS, MAIN - FLHTK (8 OF 10) WIRING HARNESS, MAIN - FLHR, FLHRXS (7 OF 10) WIRING HARNESS, MAIN - FLHR, FLHRXS (8 OF 10) WIRING HARNESS, MAIN - FLTRX, FLTRXS (7 OF 10) WIRING HARNESS, MAIN - FLTRX, FLTRXS (8 OF 10) WIRING HARNESS, MAIN - FLTRK (7 OF 10) WIRING HARNESS, MAIN - FLTRK (8 OF 10)
72527-01	WINDSHIELD, FAIRING AND HEADLAMP - FLHT, FLHTK, FLHX, FLHXS AND FLH (1 OF 2) WIRING HARNESS, MAIN - FLHR, FLHRXS (2 OF 10)
72533-06	WIRING HARNESS, MAIN - FLHT, FLHX, FLHXS AND FLH (4 OF 10) WIRING HARNESS, MAIN - FLHT, FLHX, FLHXS AND FLH (7 OF 10) WIRING HARNESS, MAIN - FLHTK (4 OF 10) WIRING HARNESS, MAIN - FLHTK (7 OF 10) WIRING HARNESS, MAIN - FLHR, FLHRXS (4 OF 10) WIRING HARNESS, MAIN - FLHR, FLHRXS (7 OF 10) WIRING HARNESS, MAIN - FLTRX, FLTRXS (4 OF 10) WIRING HARNESS, MAIN - FLTRX, FLTRXS (7 OF 10) WIRING HARNESS, MAIN - FLTRK (4 OF 10) WIRING HARNESS, MAIN - FLTRK (7 OF 10)
72544-07	WIRING HARNESS, MAIN - FLHT, FLHX, FLHXS AND FLH (7 OF 10) WIRING HARNESS, MAIN - FLHTK (7 OF 10) WIRING HARNESS, MAIN - FLHR, FLHRXS (7 OF 10) WIRING HARNESS, MAIN - FLTRX, FLTRXS (7 OF 10) WIRING HARNESS, MAIN - FLTRK (7 OF 10)

72557-07	CONSOLE, FUEL TANK - FLHT, FLHTK, FLHX, FLH, FLTRK AND FLTRX (2 OF 2) CONSOLE, FUEL TANK - FLHXS, FLTRXS FUEL PUMP - FLHT, FLHTK, FLHX, FLH, FLTRK AND FLTRX WIRING HARNESS, CONSOLE - FLHR AND FLHRXS
72560-07	SWITCHES, HANDLEBAR, LEFT - FLHRXS SWITCHES, HANDLEBAR, RIGHT - FLHRXS
72569-08	WIRING HARNESS, MAIN - FLHT, FLHX, FLHXS AND FLH (3 OF 10) WIRING HARNESS, MAIN - FLHTK (3 OF 10) WIRING HARNESS, MAIN - FLHR, FLHRXS (3 OF 10) WIRING HARNESS, MAIN - FLTRX, FLTRXS (3 OF 10) WIRING HARNESS, MAIN - FLTRK (3 OF 10)
72575-11	WIRING HARNESS, MAIN - FLHT, FLHX, FLHXS AND FLH (10 OF 10) WIRING HARNESS, MAIN - FLHTK (10 OF 10) WIRING HARNESS, MAIN - FLHR, FLHRXS (10 OF 10) WIRING HARNESS, MAIN - FLTRX, FLTRXS (10 OF 10) WIRING HARNESS, MAIN - FLTRK (10 OF 10)
72589-09	WIRING HARNESS, MAIN - FLHT, FLHX, FLHXS AND FLH (7 OF 10) WIRING HARNESS, MAIN - FLHTK (7 OF 10) WIRING HARNESS, MAIN - FLHR, FLHRXS (7 OF 10) WIRING HARNESS, MAIN - FLTRX, FLTRXS (7 OF 10) WIRING HARNESS, MAIN - FLTRK (7 OF 10)
72594-11	SWITCHES (1 OF 2)
72606-08	RADIATOR, COOLANT HOSES AND BOTTLE - TWIN-COOLED™ WIRING HARNESS, MAIN - FLHT, FLHX, FLHXS AND FLH (2 OF 10) WIRING HARNESS, MAIN - FLHT, FLHX, FLHXS AND FLH (7 OF 10) WIRING HARNESS, MAIN - FLHT, FLHX, FLHXS AND FLH (8 OF 10) WIRING HARNESS, MAIN - FLHTK (2 OF 10) WIRING HARNESS, MAIN - FLHTK (7 OF 10) WIRING HARNESS, MAIN - FLHR, FLHRXS (7 OF 10) WIRING HARNESS, MAIN - FLHR, FLHRXS (8 OF 10) WIRING HARNESS, MAIN - FLTRX, FLTRXS (2 OF 10) WIRING HARNESS, MAIN - FLTRX, FLTRXS (7 OF 10) WIRING HARNESS, MAIN - FLTRX, FLTRXS (8 OF 10) WIRING HARNESS, MAIN - FLTRK (2 OF 10) WIRING HARNESS, MAIN - FLTRK (7 OF 10)
72607-08	RADIATOR, COOLANT HOSES AND BOTTLE - TWIN-COOLED™ WHEELS, FRONT (1 OF 2) WHEELS, REAR (1 OF 2) WIRING HARNESS, MAIN - FLHT, FLHX, FLHXS AND FLH (8 OF 10) WIRING HARNESS, MAIN - FLHR, FLHRXS (8 OF 10) WIRING HARNESS, MAIN - FLTRX, FLTRXS (8 OF 10)
72608-08	RADIATOR, COOLANT HOSES AND BOTTLE - TWIN-COOLED™ WHEELS, FRONT (1 OF 2) WHEELS, REAR (1 OF 2) WINDSHIELD, FAIRING AND HEADLAMP - FLHT, FLHTK, FLHX, FLHXS AND FLH (1 OF 2) WIRING HARNESS, MAIN - FLHT, FLHX, FLHXS AND FLH (8 OF 10) WIRING HARNESS, MAIN - FLHR, FLHRXS (8 OF 10) WIRING HARNESS, MAIN - FLTRX, FLTRXS (8 OF 10)
72609-08	RADIATOR, COOLANT HOSES AND BOTTLE - TWIN-COOLED™ WIRING HARNESS, MAIN - FLHT, FLHX, FLHXS AND FLH (4 OF 10) WIRING HARNESS, MAIN - FLHT, FLHX, FLHXS AND FLH (7 OF 10) WIRING HARNESS, MAIN - FLHT, FLHX, FLHXS AND FLH (8 OF 10)

	WIRING HARNESS, MAIN - FLHTK (4 OF 10) WIRING HARNESS, MAIN - FLHTK (7 OF 10) WIRING HARNESS, MAIN - FLHR, FLHRXS (4 OF 10) WIRING HARNESS, MAIN - FLHR, FLHRXS (7 OF 10) WIRING HARNESS, MAIN - FLHR, FLHRXS (8 OF 10) WIRING HARNESS, MAIN - FLTRX, FLTRXS (4 OF 10) WIRING HARNESS, MAIN - FLTRX, FLTRXS (7 OF 10) WIRING HARNESS, MAIN - FLTRX, FLTRXS (8 OF 10) WIRING HARNESS, MAIN - FLTRK (4 OF 10) WIRING HARNESS, MAIN - FLTRK (7 OF 10)
72610-08	RADIATOR, COOLANT HOSES AND BOTTLE - TWIN-COOLED™ WIRING HARNESS, MAIN - FLHT, FLHX, FLHXS AND FLH (2 OF 10) WIRING HARNESS, MAIN - FLHT, FLHX, FLHXS AND FLH (4 OF 10) WIRING HARNESS, MAIN - FLHT, FLHX, FLHXS AND FLH (7 OF 10) WIRING HARNESS, MAIN - FLHT, FLHX, FLHXS AND FLH (8 OF 10) WIRING HARNESS, MAIN - FLHTK (2 OF 10) WIRING HARNESS, MAIN - FLHTK (4 OF 10) WIRING HARNESS, MAIN - FLHTK (7 OF 10) WIRING HARNESS, MAIN - FLHR, FLHRXS (4 OF 10) WIRING HARNESS, MAIN - FLHR, FLHRXS (7 OF 10) WIRING HARNESS, MAIN - FLHR, FLHRXS (8 OF 10) WIRING HARNESS, MAIN - FLTRX, FLTRXS (2 OF 10) WIRING HARNESS, MAIN - FLTRX, FLTRXS (4 OF 10) WIRING HARNESS, MAIN - FLTRX, FLTRXS (7 OF 10) WIRING HARNESS, MAIN - FLTRX, FLTRXS (8 OF 10) WIRING HARNESS, MAIN - FLTRK (2 OF 10) WIRING HARNESS, MAIN - FLTRK (4 OF 10) WIRING HARNESS, MAIN - FLTRK (7 OF 10) WIRING HARNESS, FAIRING - FLHT, FLHX, FLHXS AND FLH WIRING HARNESS, FAIRING - FLHTK WIRING HARNESS, FAIRING - FLTRK, FLTRX AND FLTRXS LAMPS AND SPEAKER HOUSINGS, ULTRA TOUR-PAK (1 OF 2)
72632-10	WIRING HARNESS, MAIN - FLHT, FLHX, FLHXS AND FLH (2 OF 10) WIRING HARNESS, MAIN - FLHT, FLHX, FLHXS AND FLH (8 OF 10) WIRING HARNESS, MAIN - FLHT, FLHX, FLHXS AND FLH (10 OF 10) WIRING HARNESS, MAIN - FLHTK (8 OF 10) WIRING HARNESS, MAIN - FLHTK (10 OF 10) WIRING HARNESS, MAIN - FLHR, FLHRXS (8 OF 10) WIRING HARNESS, MAIN - FLTRX, FLTRXS (2 OF 10) WIRING HARNESS, MAIN - FLTRX, FLTRXS (8 OF 10) WIRING HARNESS, MAIN - FLTRX, FLTRXS (10 OF 10) WIRING HARNESS, MAIN - FLTRK (8 OF 10) WIRING HARNESS, MAIN - FLTRK (10 OF 10)
72633-02	WINDSHIELD, FAIRING AND HEADLAMP - FLHT, FLHTK, FLHX, FLHXS AND FLH (1 OF 2) WIRING HARNESS, MAIN - FLHR, FLHRXS (2 OF 10)
72639-10	WHEELS, FRONT (1 OF 2) WHEELS, REAR (1 OF 2) WIRING HARNESS, MAIN - FLHT, FLHX, FLHXS AND FLH (2 OF 10) WIRING HARNESS, MAIN - FLHTK (2 OF 10) WIRING HARNESS, MAIN - FLTRX, FLTRXS (2 OF 10) WIRING HARNESS, MAIN - FLTRK (2 OF 10)
72662-11	WIRING HARNESS, CONSOLE - FLHR AND FLHRXS
72720-07	WIRING HARNESS, MAIN - FLHT, FLHX, FLHXS AND FLH (4 OF 10) WIRING HARNESS, MAIN - FLHTK (4 OF 10) WIRING HARNESS, MAIN - FLHR, FLHRXS (4 OF 10) WIRING HARNESS, MAIN - FLTRX, FLTRXS (4 OF 10)

	WIRING HARNESS, MAIN - FLTRK (4 OF 10)
72721-07	WIRING HARNESS, MAIN - FLHT, FLHX, FLHXS AND FLH (1 OF 10) WIRING HARNESS, MAIN - FLHT, FLHX, FLHXS AND FLH (4 OF 10) WIRING HARNESS, MAIN - FLHTK (1 OF 10) WIRING HARNESS, MAIN - FLHTK (4 OF 10) WIRING HARNESS, MAIN - FLHR, FLHRXS (4 OF 10) WIRING HARNESS, MAIN - FLTRX, FLTRXS (1 OF 10) WIRING HARNESS, MAIN - FLTRX, FLTRXS (4 OF 10) WIRING HARNESS, MAIN - FLTRK (1 OF 10) WIRING HARNESS, MAIN - FLTRK (4 OF 10)
72902-01BK	THROTTLE CONTROL THROTTLE CONTROL WIRING HARNESS, MAIN - FLTRX, FLTRXS (1 OF 10) WIRING HARNESS, MAIN - FLTRK (1 OF 10) WIRING HARNESS, FAIRING - FLHT, FLHX, FLHXS AND FLH WIRING HARNESS, FAIRING - FLHTK
72904-01BK	INSTRUMENTS, FUEL TANK - FLHR AND FLHRXS
72905-11	WIRING HARNESS, MAIN - FLHR, FLHRXS (2 OF 10) WIRING HARNESS, MAIN - FLTRX, FLTRXS (2 OF 10) WIRING HARNESS, MAIN - FLTRK (2 OF 10) WIRING HARNESS, FAIRING - FLHT, FLHX, FLHXS AND FLH WIRING HARNESS, FAIRING - FLHT, FLHX, FLHXS AND FLH WIRING HARNESS, FAIRING - FLHTK
72906-11	AUXILIARY/FOG LAMPS AND TURN SIGNALS, FRONT - FLHTK AND FLH (2 OF 2) SWITCHES, HANDLEBAR, RIGHT - EXCEPT FLHRXS SWITCHES, HANDLEBAR, RIGHT - FLHRXS
72907-11	TURN SIGNALS, FRONT - FLHRXS WIRING HARNESS, MAIN - FLHR, FLHRXS (1 OF 10) WIRING HARNESS, MAIN - FLHR, FLHRXS (2 OF 10) WIRING HARNESS, MAIN - FLTRX, FLTRXS (2 OF 10) WIRING HARNESS, MAIN - FLTRK (2 OF 10) WIRING HARNESS, FAIRING - FLHT, FLHX, FLHXS AND FLH WIRING HARNESS, FAIRING - FLHTK WIRING HARNESS, FAIRING - FLTRK, FLTRX AND FLTRXS
72908-11	AUXILIARY/FOG LAMPS AND TURN SIGNALS, FRONT - FLHTK AND FLH (2 OF 2) TURN SIGNALS, FRONT - FLHT, FLHX AND FLHXS WINDSHIELD, FAIRING AND HEADLAMP - FLTRK, FLTRX AND FLTRXS (1 OF 2) FAIRING, INNER - FLTRK, FLTRX AND FLTRXS (1 OF 2) SWITCHES, HANDLEBAR, LEFT - EXCEPT FLHRXS SWITCHES, HANDLEBAR, LEFT - FLHRXS SWITCHES, HANDLEBAR, RIGHT - EXCEPT FLHRXS SWITCHES, HANDLEBAR, RIGHT - FLHRXS WIRING HARNESS, FAIRING - FLTRK, FLTRX AND FLTRXS
72909-11	TURN SIGNALS, FRONT - FLHRXS TURN SIGNALS, FRONT - FLHRXS WIRING HARNESS, MAIN - FLHR, FLHRXS (1 OF 10) WIRING HARNESS, MAIN - FLHR, FLHRXS (2 OF 10) WIRING HARNESS, MAIN - FLTRX, FLTRXS (2 OF 10) WIRING HARNESS, MAIN - FLTRK (2 OF 10) WIRING HARNESS, FAIRING - FLHT, FLHX, FLHXS AND FLH WIRING HARNESS, FAIRING - FLHT, FLHX, FLHXS AND FLH WIRING HARNESS, FAIRING - FLHTK WIRING HARNESS, FAIRING - FLTRK, FLTRX AND FLTRXS

72910-11	AUXILIARY/FOG LAMPS AND TURN SIGNALS, FRONT - FLHTK AND FLH (2 OF 2) AUXILIARY/FOG LAMPS AND TURN SIGNALS, FRONT - FLHTK AND FLH (2 OF 2) TURN SIGNALS, FRONT - FLHT, FLHX AND FLHXS TURN SIGNALS, FRONT - FLHT, FLHX AND FLHXS WINDSHIELD, FAIRING AND HEADLAMP - FLTRK, FLTRX AND FLTRXS (1 OF 2) WINDSHIELD, FAIRING AND HEADLAMP - FLTRK, FLTRX AND FLTRXS (1 OF 2) FAIRING, INNER - FLTRK, FLTRX AND FLTRXS (1 OF 2) WIRING HARNESS, FAIRING - FLTRK, FLTRX AND FLTRXS
72912-01BK	THROTTLE CONTROL WIRING HARNESS, MAIN - FLTRX, FLTRXS (1 OF 10) WIRING HARNESS, MAIN - FLTRK (1 OF 10) WIRING HARNESS, FAIRING - FLHT, FLHX, FLHXS AND FLH WIRING HARNESS, FAIRING - FLHTK
72914-01BK	WIRING HARNESS, MAIN - FLHR, FLHRXS (1 OF 10)
72990-01	INSTRUMENTS, FUEL TANK - FLHR AND FLHRXS THROTTLE CONTROL
72991-01	WIRING HARNESS, MAIN - FLHR, FLHRXS (1 OF 10)
73101-96BK	WIRING HARNESS, FAIRING - FLHT, FLHX, FLHXS AND FLH WIRING HARNESS, FAIRING - FLHTK
73102-96BK	WIRING HARNESS, FAIRING - FLHT, FLHX, FLHXS AND FLH WIRING HARNESS, FAIRING - FLHTK WIRING HARNESS, FAIRING - FLTRK, FLTRX AND FLTRXS LAMPS AND SPEAKER HOUSINGS, ULTRA TOUR-PAK (1 OF 2)
73104-96BK	WIRING HARNESS, MAIN - FLHR, FLHRXS (1 OF 10)
73106-96BK	WIRING HARNESS, MAIN - FLHR, FLHRXS (1 OF 10)
73152-96BK	FENDERS, FRONT FAIRING, INNER - FLTRK, FLTRX AND FLTRXS (1 OF 2) TAIL LAMP AND TURN SIGNALS, REAR - FLHT AND FLH TAIL LAMP AND TURN SIGNALS, REAR - FLHRXS, FLHX, FLHXS, FLTRX, FLTRXS TAIL LAMP AND TURN SIGNALS, REAR - FLHTK, FLTRK (HDI) WIRING HARNESS, FAIRING - FLHT, FLHX, FLHXS AND FLH WIRING HARNESS, FAIRING - FLHTK WIRING HARNESS, FAIRING - FLTRK, FLTRX AND FLTRXS TOUR-PAK (BOTTOM)
73152-96WE	FENDERS, FRONT FENDERS, FRONT LAMPS AND SPEAKER HOUSINGS, ULTRA TOUR-PAK (1 OF 2)
73153-96BK	TAIL LAMP AND TURN SIGNALS, REAR - FLHT AND FLH TAIL LAMP AND TURN SIGNALS, REAR - FLHRXS, FLHX, FLHXS, FLTRX, FLTRXS TAIL LAMP AND TURN SIGNALS, REAR - FLHR TAIL LAMP AND TURN SIGNALS, REAR - FLHTK, FLTRK (HDI)
73154-96BK	AUXILIARY/FOG LAMPS AND TURN SIGNALS, FRONT - FLHR SWITCHES, HANDLEBAR, LEFT - FLHRXS TAIL LAMP (2 OF 2)
73156-96BK	AUXILIARY/FOG LAMPS AND TURN SIGNALS, FRONT - FLHR SWITCHES, HANDLEBAR, RIGHT - FLHRXS TAIL LAMP AND TURN SIGNALS, REAR - FLHT AND FLH TAIL LAMP AND TURN SIGNALS, REAR - FLHRXS, FLHX, FLHXS, FLTRX, FLTRXS

	TAIL LAMP AND TURN SIGNALS, REAR - FLHR TAIL LAMP AND TURN SIGNALS, REAR - FLHTK, FLTRK (HDI) TAIL LAMP (2 OF 2)
73190-96	WIRING HARNESS, MAIN - FLHR, FLHRXS (1 OF 10) WIRING HARNESS, FAIRING - FLHT, FLHX, FLHXS AND FLH WIRING HARNESS, FAIRING - FLHT, FLHX, FLHXS AND FLH WIRING HARNESS, FAIRING - FLHTK WIRING HARNESS, FAIRING - FLTRK, FLTRX AND FLTRXS LAMPS AND SPEAKER HOUSINGS, ULTRA TOUR-PAK (1 OF 2)
73191-96	AUXILIARY/FOG LAMPS AND TURN SIGNALS, FRONT - FLHR AUXILIARY/FOG LAMPS AND TURN SIGNALS, FRONT - FLHR FAIRING, INNER - FLTRK, FLTRX AND FLTRXS (1 OF 2) TAIL LAMP AND TURN SIGNALS, REAR - FLHT AND FLH TAIL LAMP AND TURN SIGNALS, REAR - FLHRXS, FLHX, FLHXS, FLTRX, FLTRXS TAIL LAMP AND TURN SIGNALS, REAR - FLHR TAIL LAMP AND TURN SIGNALS, REAR - FLHTK, FLTRK (HDI) TAIL LAMP (2 OF 2) TAIL LAMP (2 OF 2) TOUR-PAK (BOTTOM) LAMPS AND SPEAKER HOUSINGS, ULTRA TOUR-PAK (1 OF 2)
73213-07	FRAME AND JIFFY STAND - FLHRXS, FLHXS, FLTRXS FRAME AND JIFFY STAND - FLHR, FLHT, FLHTK, FLHX, FLH, FLTRK, FLTRX (2 OF 2) WIRING HARNESS, MAIN - FLHT, FLHX, FLHXS AND FLH (2 OF 10) WIRING HARNESS, MAIN - FLHT, FLHX, FLHXS AND FLH (5 OF 10) WIRING HARNESS, MAIN - FLHT, FLHX, FLHXS AND FLH (7 OF 10) WIRING HARNESS, MAIN - FLHT, FLHX, FLHXS AND FLH (8 OF 10) WIRING HARNESS, MAIN - FLHT, FLHX, FLHXS AND FLH (10 OF 10) WIRING HARNESS, MAIN - FLHTK (2 OF 10) WIRING HARNESS, MAIN - FLHTK (5 OF 10) WIRING HARNESS, MAIN - FLHTK (7 OF 10) WIRING HARNESS, MAIN - FLHTK (8 OF 10) WIRING HARNESS, MAIN - FLHTK (10 OF 10) WIRING HARNESS, MAIN - FLHR, FLHRXS (5 OF 10) WIRING HARNESS, MAIN - FLHR, FLHRXS (7 OF 10) WIRING HARNESS, MAIN - FLHR, FLHRXS (8 OF 10) WIRING HARNESS, MAIN - FLHR, FLHRXS (10 OF 10) WIRING HARNESS, MAIN - FLTRX, FLTRXS (1 OF 10) WIRING HARNESS, MAIN - FLTRX, FLTRXS (2 OF 10) WIRING HARNESS, MAIN - FLTRX, FLTRXS (5 OF 10) WIRING HARNESS, MAIN - FLTRX, FLTRXS (7 OF 10) WIRING HARNESS, MAIN - FLTRX, FLTRXS (8 OF 10) WIRING HARNESS, MAIN - FLTRX, FLTRXS (10 OF 10) WIRING HARNESS, MAIN - FLTRK (1 OF 10) WIRING HARNESS, MAIN - FLTRK (2 OF 10) WIRING HARNESS, MAIN - FLTRK (5 OF 10) WIRING HARNESS, MAIN - FLTRK (7 OF 10) WIRING HARNESS, MAIN - FLTRK (8 OF 10) WIRING HARNESS, MAIN - FLTRK (10 OF 10) WIRING HARNESS, FAIRING - FLHT, FLHX, FLHXS AND FLH SOUND SYSTEM - FLHTK, FLHX, FLHXS AND FLH (1 OF 2) SOUND SYSTEM - FLTRK, FLTRX AND FLTRXS (1 OF 2) LAMPS AND SPEAKER HOUSINGS, ULTRA TOUR-PAK (1 OF 2)
73254-10	TAIL LAMP AND TURN SIGNALS, REAR - FLHRXS, FLHX, FLHXS, FLTRX, FLTRXS
73255-10	LICENSE PLATE BRACKETS
7330	SHIFTER, GEAR

73301-04	WIRING HARNESS, MAIN - FLHT, FLHX, FLHXS AND FLH (9 OF 10) WIRING HARNESS, MAIN - FLHTK (9 OF 10) WIRING HARNESS, MAIN - FLHR, FLHRXS (9 OF 10) WIRING HARNESS, MAIN - FLTRX, FLTRXS (9 OF 10) WIRING HARNESS, MAIN - FLTRK (9 OF 10)
73303-04	WIRING HARNESS, MAIN - FLHT, FLHX, FLHXS AND FLH (9 OF 10) WIRING HARNESS, MAIN - FLHTK (9 OF 10) WIRING HARNESS, MAIN - FLHR, FLHRXS (9 OF 10) WIRING HARNESS, MAIN - FLTRX, FLTRXS (9 OF 10) WIRING HARNESS, MAIN - FLTRK (9 OF 10)
73304-04	WIRING HARNESS, MAIN - FLHT, FLHX, FLHXS AND FLH (9 OF 10) WIRING HARNESS, MAIN - FLHT, FLHX, FLHXS AND FLH (10 OF 10) WIRING HARNESS, MAIN - FLHTK (9 OF 10) WIRING HARNESS, MAIN - FLHTK (10 OF 10) WIRING HARNESS, MAIN - FLHR, FLHRXS (9 OF 10) WIRING HARNESS, MAIN - FLHR, FLHRXS (10 OF 10) WIRING HARNESS, MAIN - FLTRX, FLTRXS (9 OF 10) WIRING HARNESS, MAIN - FLTRX, FLTRXS (10 OF 10) WIRING HARNESS, MAIN - FLTRK (9 OF 10) WIRING HARNESS, MAIN - FLTRK (10 OF 10) BATTERY
73305-04	WIRING HARNESS, MAIN - FLHT, FLHX, FLHXS AND FLH (9 OF 10) WIRING HARNESS, MAIN - FLHT, FLHX, FLHXS AND FLH (10 OF 10) WIRING HARNESS, MAIN - FLHTK (9 OF 10) WIRING HARNESS, MAIN - FLHTK (10 OF 10) WIRING HARNESS, MAIN - FLHR, FLHRXS (9 OF 10) WIRING HARNESS, MAIN - FLHR, FLHRXS (10 OF 10) WIRING HARNESS, MAIN - FLTRX, FLTRXS (9 OF 10) WIRING HARNESS, MAIN - FLTRX, FLTRXS (10 OF 10) WIRING HARNESS, MAIN - FLTRK (9 OF 10) WIRING HARNESS, MAIN - FLTRK (10 OF 10) BATTERY
73307-10	EXHAUST SYSTEM (1 OF 2)
73309-10	TAIL LAMP AND TURN SIGNALS, REAR - FLHRXS, FLHX, FLHXS, FLTRX, FLTRXS
7331	MIRRORS
73314-10	TAIL LAMP AND TURN SIGNALS, REAR - FLHRXS, FLHX, FLHXS, FLTRX, FLTRXS
73325-10	TAIL LAMP AND TURN SIGNALS, REAR - FLHTK, FLTRK (HDI)
73326-10	TAIL LAMP AND TURN SIGNALS, REAR - FLHTK, FLTRK (HDI)
73333-10	AUXILIARY/FOG LAMPS AND TURN SIGNALS, FRONT - FLHTK AND FLH (1 OF 2)
7340	TRANSMISSION BEARINGS AND COVERS TRANSMISSION GEARS
7352	MIRRORS
74112-98BK	WIRING HARNESS, MAIN - FLHT, FLHX, FLHXS AND FLH (8 OF 10) WIRING HARNESS, MAIN - FLHTK (8 OF 10) WIRING HARNESS, MAIN - FLHR, FLHRXS (2 OF 10) WIRING HARNESS, MAIN - FLHR, FLHRXS (8 OF 10) WIRING HARNESS, MAIN - FLTRX, FLTRXS (8 OF 10) WIRING HARNESS, MAIN - FLTRK (8 OF 10)

74152-98	WIRING HARNESS, MAIN - FLHT, FLHX, FLHXS AND FLH (8 OF 10) WIRING HARNESS, MAIN - FLHTK (8 OF 10) WIRING HARNESS, MAIN - FLHR, FLHRXS (2 OF 10) WIRING HARNESS, MAIN - FLHR, FLHRXS (8 OF 10) WIRING HARNESS, MAIN - FLTRX, FLTRXS (8 OF 10) WIRING HARNESS, MAIN - FLTRK (8 OF 10)
7415A	FAIRING, LOWERS, TWIN-COOLED™ - FLHTK, FLTRK
74190-98	WHEELS, FRONT (1 OF 2)
74191-98	WIRING HARNESS, MAIN - FLHT, FLHX, FLHXS AND FLH (8 OF 10) WIRING HARNESS, MAIN - FLHTK (8 OF 10) WIRING HARNESS, MAIN - FLHR, FLHRXS (2 OF 10) WIRING HARNESS, MAIN - FLHR, FLHRXS (8 OF 10) WIRING HARNESS, MAIN - FLTRX, FLTRXS (8 OF 10) WIRING HARNESS, MAIN - FLTRK (8 OF 10)
74194-98	SENSORS AND SWITCHES, ENGINE
74196-04	TAIL LAMP AND TURN SIGNALS, REAR - FLHT AND FLH TAIL LAMP AND TURN SIGNALS, REAR - FLHRXS, FLHX, FLHXS, FLTRX, FLTRXS TAIL LAMP AND TURN SIGNALS, REAR - FLHRXS, FLHX, FLHXS, FLTRX, FLTRXS WIRING HARNESS, MAIN - FLTRX, FLTRXS (1 OF 10) WIRING HARNESS, FAIRING - FLHT, FLHX, FLHXS AND FLH WIRING HARNESS, FAIRING - FLHTK WIRING HARNESS, CONSOLE - FLHR AND FLHRXS
74197-04	TAIL LAMP AND TURN SIGNALS, REAR - FLHT AND FLH TAIL LAMP AND TURN SIGNALS, REAR - FLHRXS, FLHX, FLHXS, FLTRX, FLTRXS TAIL LAMP AND TURN SIGNALS, REAR - FLHRXS, FLHX, FLHXS, FLTRX, FLTRXS WIRING HARNESS, MAIN - FLTRX, FLTRXS (1 OF 10) WIRING HARNESS, FAIRING - FLHT, FLHX, FLHXS AND FLH WIRING HARNESS, FAIRING - FLHTK WIRING HARNESS, CONSOLE - FLHR AND FLHRXS
7434	FENDERS, REAR
74408-08A	NACELLE AND HEADLAMP - FLHR AND FLHRXS (1 OF 2)
74700025	ALTERNATOR AND REGULATOR
7492	LAMPS AND SPEAKER HOUSINGS, ULTRA TOUR-PAK (1 OF 2)
7495	FRAME AND JIFFY STAND - FLHRXS, FLHXS, FLTRXS FRAME AND JIFFY STAND - FLHR, FLHT, FLHTK, FLHX, FLH, FLTRK, FLTRX (1 OF 2) HORN
7499	SEAT- FLH FENDERS, REAR FENDERS, REAR
75069-08D	FUEL PUMP - FLHT, FLHTK, FLHX, FLH, FLTRK ANDFLTRX
75076-08B	FUEL PUMP - FLHR, FLHRXS, FLHXS AND FLTRXS
75089-08	FUEL PUMP - FLHT, FLHTK, FLHX, FLH, FLTRK ANDFLTRX FUEL PUMP - FLHR, FLHRXS, FLHXS AND FLTRXS
75205-08A	FUEL PUMP - FLHT, FLHTK, FLHX, FLH, FLTRK ANDFLTRX FUEL PUMP - FLHR, FLHRXS, FLHXS AND FLTRXS

75229-08	FUEL PUMP - FLHT, FLHTK, FLHX, FLH, FLTRK ANDFLTRX FUEL PUMP - FLHR, FLHRXS, FLHXS AND FLTRXS
75241-08	INSTRUMENTS, FUEL TANK - FLHR AND FLHRXS
75254-04A	FUEL PUMP - FLHT, FLHTK, FLHX, FLH, FLTRK ANDFLTRX FUEL PUMP - FLHR, FLHRXS, FLHXS AND FLTRXS
75269-08	FUEL PUMP - FLHT, FLHTK, FLHX, FLH, FLTRK ANDFLTRX FUEL PUMP - FLHR, FLHRXS, FLHXS AND FLTRXS
75291-08A	FUEL PUMP - FLHR, FLHRXS, FLHXS AND FLTRXS
7531	SEATS SEAT- FLH FENDERS, REAR GUARDS, SADDLEBAG
75322-09	FUEL PUMP - FLHT, FLHTK, FLHX, FLH, FLTRK ANDFLTRX FUEL PUMP - FLHR, FLHRXS, FLHXS AND FLTRXS
7549A	BRAKE CONTROL, REAR SEAT- FLH HORN
755	FENDERS, FRONT
7576	FAIRING, LOWERS, TWIN-COOLED™ - FLHTK, FLTRK
7586	TOUR-PAK (BOTTOM) SADDLEBAGS (1 OF 2)
7593	EXHAUST SYSTEM (1 OF 2)
7600	FENDERS, FRONT
76000055	FAIRING, INNER - FLHT, FLHTK, FLHX, FLHXS AND FLH(2 OF 3) FAIRING, INNER - FLHT, FLHTK, FLHX, FLHXS AND FLH(2 OF 3)
76000075D	SOUND SYSTEM - FLHTK, FLHX, FLHXS AND FLH (2 OF 2) SOUND SYSTEM - FLTRK, FLTRX AND FLTRXS (1 OF 2)
76000092	LAMPS AND SPEAKER HOUSINGS, ULTRA TOUR-PAK (2 OF 2)
76000107A	FAIRING, INNER - FLHT, FLHTK, FLHX, FLHXS AND FLH(2 OF 3)
76000127	FAIRING, INNER - FLHT, FLHTK, FLHX, FLHXS AND FLH(2 OF 3)
76000160	LAMPS AND SPEAKER HOUSINGS, ULTRA TOUR-PAK (2 OF 2)
76000161	LAMPS AND SPEAKER HOUSINGS, ULTRA TOUR-PAK (2 OF 2)
76000164	LAMPS AND SPEAKER HOUSINGS, ULTRA TOUR-PAK (2 OF 2)
76000165	LAMPS AND SPEAKER HOUSINGS, ULTRA TOUR-PAK (2 OF 2)
76000172	TOUR-PAK (BOTTOM)
76000173	TOUR-PAK (BOTTOM)
76000174	TOUR-PAK (BOTTOM)

76000177	LAMPS AND SPEAKER HOUSINGS, ULTRA TOUR-PAK (2 OF 2)
76000183	ANTENNAS
76000186	LAMPS AND SPEAKER HOUSINGS, ULTRA TOUR-PAK (2 OF 2)
76000208	LAMPS AND SPEAKER HOUSINGS, ULTRA TOUR-PAK (2 OF 2)
76000234	FAIRING, INNER - FLHT, FLHTK, FLHX, FLHXS AND FLH(2 OF 3)
76000243	SOUND SYSTEM - FLHTK, FLHX, FLHXS AND FLH (2 OF 2) SOUND SYSTEM - FLHTK, FLHX, FLHXS AND FLH (2 OF 2)
76000252	SOUND SYSTEM - FLHTK, FLHX, FLHXS AND FLH (2 OF 2) SOUND SYSTEM - FLTRK, FLTRX AND FLTRXS (2 OF 2)
76000370A	FAIRING, INNER - FLTRK, FLTRX AND FLTRXS (2 OF 2)
76000373	FAIRING, INNER - FLTRK, FLTRX AND FLTRXS (2 OF 2)
76000374A	FAIRING, INNER - FLTRK, FLTRX AND FLTRXS (2 OF 2)
76000376BYM	FAIRING, INNER - FLTRK, FLTRX AND FLTRXS (2 OF 2)
76000376DH	FAIRING, INNER - FLTRK, FLTRX AND FLTRXS (2 OF 2)
76000398	FAIRING, INNER - FLTRK, FLTRX AND FLTRXS (2 OF 2)
76000409BYM	FAIRING, INNER - FLHT, FLHTK, FLHX, FLHXS AND FLH(2 OF 3)
76000409DH	FAIRING, INNER - FLHT, FLHTK, FLHX, FLHXS AND FLH(2 OF 3)
76000409ERY	FAIRING, INNER - FLHT, FLHTK, FLHX, FLHXS AND FLH(2 OF 3)
76000422	FAIRING, INNER - FLTRK, FLTRX AND FLTRXS (2 OF 2)
76000425	FAIRING, INNER - FLTRK, FLTRX AND FLTRXS (2 OF 2)
76000426BYM	FAIRING, INNER - FLTRK, FLTRX AND FLTRXS (2 OF 2)
76000426DH	FAIRING, INNER - FLTRK, FLTRX AND FLTRXS (2 OF 2)
76000436	FAIRING, INNER - FLTRK, FLTRX AND FLTRXS (2 OF 2)
76000453	SOUND SYSTEM - FLTRK, FLTRX AND FLTRXS (2 OF 2)
76000454	SOUND SYSTEM - FLTRK, FLTRX AND FLTRXS (2 OF 2)
76000455	SOUND SYSTEM - FLTRK, FLTRX AND FLTRXS (2 OF 2)
76000458	FAIRING, INNER - FLTRK, FLTRX AND FLTRXS (2 OF 2)
76000460	FAIRING, INNER - FLTRK, FLTRX AND FLTRXS (2 OF 2)
76000468	SOUND SYSTEM - FLTRK, FLTRX AND FLTRXS (2 OF 2)
76000554	SOUND SYSTEM - FLHTK, FLHX, FLHXS AND FLH (2 OF 2)
76000779B	SOUND SYSTEM - FLTRK, FLTRX AND FLTRXS (1 OF 2)
76000780B	SOUND SYSTEM - FLTRK, FLTRX AND FLTRXS (1 OF 2)

76000781B	SOUND SYSTEM - FLTRK, FLTRX AND FLTRXS (1 OF 2)
76000783B	SOUND SYSTEM - FLHTK, FLHX, FLHXS AND FLH (2 OF 2)
76000784B	SOUND SYSTEM - FLHTK, FLHX, FLHXS AND FLH (2 OF 2)
76000785B	SOUND SYSTEM - FLHTK, FLHX, FLHXS AND FLH (2 OF 2)
76000789	SOUND SYSTEM - FLHTK, FLHX, FLHXS AND FLH (2 OF 2) SOUND SYSTEM - FLTRK, FLTRX AND FLTRXS (2 OF 2)
76000799	ANTENNAS LOOSE PARTS (1 OF 3) LOOSE PARTS (2 OF 3) LOOSE PARTS (3 OF 3) LOOSE PARTS (3 OF 3)
76000819	SOUND SYSTEM - FLHTK, FLHX, FLHXS AND FLH (2 OF 2) SOUND SYSTEM - FLTRK, FLTRX AND FLTRXS (2 OF 2) LAMPS AND SPEAKER HOUSINGS, ULTRA TOUR-PAK (2 OF 2)
76000875	FAIRING, INNER - FLHT, FLHTK, FLHX, FLHXS AND FLH(2 OF 3)
76000876	FAIRING, INNER - FLHT, FLHTK, FLHX, FLHXS AND FLH(2 OF 3)
76000878	SOUND SYSTEM - FLTRK, FLTRX AND FLTRXS (2 OF 2)
76000879	SOUND SYSTEM - FLTRK, FLTRX AND FLTRXS (2 OF 2)
76000917	SOUND SYSTEM - FLTRK, FLTRX AND FLTRXS (2 OF 2)
76000943	FAIRING, INNER - FLHT, FLHTK, FLHX, FLHXS AND FLH(2 OF 3)
76000944	FAIRING, INNER - FLHT, FLHTK, FLHX, FLHXS AND FLH(2 OF 3)
7601	AUXILIARY/FOG LAMPS AND TURN SIGNALS, FRONT - FLHR FAIRING, INNER - FLTRK, FLTRX AND FLTRXS (1 OF 2) GUARDS, SADDLEBAG
7606	AUXILIARY/FOG LAMPS AND TURN SIGNALS, FRONT - FLHR AUXILIARY/FOG LAMPS AND TURN SIGNALS, FRONT - FLHTK AND FLH (1 OF 2)
761	FENDERS, REAR
7624	FENDERS, FRONT
76259-86	ANTENNAS
76266-98A	INTERCOM CONTROL POD
7629	FENDERS, FRONT
76335-87	ANTENNAS
76353-00	LAMPS AND SPEAKER HOUSINGS, ULTRA TOUR-PAK (1 OF 2)
765	CRANKCASE
7651A	WINDSHIELD - FLHR
7667	AUXILIARY/FOG LAMPS AND TURN SIGNALS, FRONT - FLHTK AND FLH (1 OF 2)

7686	SHIFTER, GEAR FENDERS, REAR GUARDS, SADDLEBAG
7687	MIRRORS
77117-10	SOUND SYSTEM - FLHTK, FLHX, FLHXS AND FLH (1 OF 2) LOOSE PARTS (1 OF 3) LOOSE PARTS (3 OF 3)
77126-10	SOUND SYSTEM - FLHTK, FLHX, FLHXS AND FLH (1 OF 2) SOUND SYSTEM - FLHTK, FLHX, FLHXS AND FLH (1 OF 2)
77148-10	SOUND SYSTEM - FLHTK, FLHX, FLHXS AND FLH (1 OF 2) SOUND SYSTEM - FLHTK, FLHX, FLHXS AND FLH (1 OF 2)
7716	RADIATOR, COOLANT HOSES AND BOTTLE - TWIN-COOLED™ FOOTBOARDS, OPERATOR FENDERS, FRONT FAIRING, LOWERS, TWIN-COOLED™ - FLHTK, FLTRK TOUR-PAK (BOTTOM)
7744	TURN SIGNALS, FRONT - FLHRXS
7792	TRANSMISSION HOUSING, COVER AND OIL PAN BATTERY
780	SHIFTER, GEAR
7813A	WHEELS, FRONT (1 OF 2)
7825	BRAKE CONTROL, REAR
7848W	CLUTCH
786A	PRIMARY HOUSING
787	NACELLE AND HEADLAMP - FLHR AND FLHRXS (1 OF 2)
7880	FENDERS, REAR
7888A	NACELLE AND HEADLAMP - FLHR AND FLHRXS (1 OF 2)
7889	NACELLE AND HEADLAMP - FLHR AND FLHRXS (1 OF 2)
7900	WINDSHIELD, FAIRING AND HEADLAMP - FLHT, FLHTK, FLHX, FLHXS AND FLH (1 OF 2) WINDSHIELD, FAIRING AND HEADLAMP - FLTRK, FLTRX AND FLTRXS (1 OF 2)
791A	PRIMARY HOUSING
7964	TAIL LAMP (1 OF 2) TAIL LAMP (1 OF 2)
7992	AUXILIARY/FOG LAMPS AND TURN SIGNALS, FRONT - FLHR AUXILIARY/FOG LAMPS AND TURN SIGNALS, FRONT - FLHTK AND FLH (1 OF 2) TURN SIGNALS, FRONT - FLHT, FLHX AND FLHXS WINDSHIELD - FLHR
8020	WHEELS, REAR (1 OF 2)
8026K	TRANSMISSION GEARS

8041	TRANSMISSION GEARS
8042A	TRANSMISSION GEARS
8108	HORN
8135B	MIRRORS
8142	CONSOLE, FUEL TANK - FLHT, FLHTK, FLHX, FLH, FLTRK AND FLTRX (1 OF 2) CONSOLE, FUEL TANK - FLHXS, FLTRXS INSTRUMENTS, FUEL TANK - FLHR AND FLHRXS
8144	FRAME AND JIFFY STAND - FLHRXS, FLHXS, FLTRXS
8175	FAIRING, LOWERS, TWIN-COOLED™ - FLHTK, FLTRK
8194	COVERS AND AIR DEFLECTORS COVERS AND AIR DEFLECTORS
83936-09A	BELT, CHAIN AND SPROCKETS
84850-92	CONSOLE, FUEL TANK - FLHT, FLHTK, FLHX, FLH, FLTRK AND FLTRX (2 OF 2)
856A	SHIFTER, GEAR
869	AIR CLEANER - FLHRXS, FLHXS, FLH, FLTRXS
882	COOLANT DISTRIBUTION - TWIN-COOLED™ COOLANT DISTRIBUTION - AIR-COOLED FRAME AND JIFFY STAND - FLHRXS, FLHXS, FLTRXS
8860	FOOTBOARDS AND FOOTPEGS, PASSENGER
8873	CAMSHAFTS AND CAMSHAFT COVER (1 OF 2) TRANSMISSION BEARINGS AND COVERS
8963	TRANSMISSION BEARINGS AND COVERS
8967A	TRANSMISSION BEARINGS AND COVERS
8970A	TRANSMISSION BEARINGS AND COVERS
8972	CRANKCASE
90200411	SADDLEBAGS (1 OF 2)
90200412	SADDLEBAGS (1 OF 2)
90200413	SADDLEBAGS (1 OF 2)
90200414	SADDLEBAGS (1 OF 2)
90200415	SADDLEBAGS (1 OF 2)
90200467	SADDLEBAGS (1 OF 2)
90200499	FRAME AND FORK, REAR AND TOUR-PAK SUPPORT GUARDS, SADDLEBAG
90200501	FRAME AND FORK, REAR AND TOUR-PAK SUPPORT GUARDS, SADDLEBAG

90200504	GUARDS, SADDLEBAG
90200505	GUARDS, SADDLEBAG
90200506	GUARDS, SADDLEBAG
90200507	GUARDS, SADDLEBAG
90200519	SADDLEBAGS (1 OF 2)
90200520	SADDLEBAGS (1 OF 2)
90200521	SADDLEBAGS (1 OF 2)
90200522	SADDLEBAGS (1 OF 2)
90200549	GUARDS, SADDLEBAG
90200550	GUARDS, SADDLEBAG
90200611	SADDLEBAGS (1 OF 2)
90200789	GUARDS, SADDLEBAG
90200790	GUARDS, SADDLEBAG
90200861	GUARDS, SADDLEBAG
90200863	GUARDS, SADDLEBAG
90200899	SADDLEBAGS (1 OF 2)
90200900	SADDLEBAGS (1 OF 2)
90200901	SADDLEBAGS (1 OF 2)
90200902	SADDLEBAGS (1 OF 2)
90200903	SADDLEBAGS (1 OF 2)
90200963	SADDLEBAGS (1 OF 2)
90200964	SADDLEBAGS (1 OF 2)
90200983DH	SADDLEBAGS (2 OF 2)
90200983ENV	SADDLEBAGS (2 OF 2)
90200983ENX	SADDLEBAGS (2 OF 2)
90200983EOB	SADDLEBAGS (2 OF 2)
90200983ERX	SADDLEBAGS (2 OF 2)
90200983ESC	SADDLEBAGS (2 OF 2)
90200983ESH	SADDLEBAGS (2 OF 2)
90200983ESK	SADDLEBAGS (2 OF 2)
90200983ESN	SADDLEBAGS (2 OF 2)

90200983ESU	SADDLEBAGS (2 OF 2)
90200983ESW	SADDLEBAGS (2 OF 2)
90200983ETF	SADDLEBAGS (2 OF 2)
90200984DH	SADDLEBAGS (2 OF 2)
90200984ENV	SADDLEBAGS (2 OF 2)
90200984ENX	SADDLEBAGS (2 OF 2)
90200984EOB	SADDLEBAGS (2 OF 2)
90200984ERX	SADDLEBAGS (2 OF 2)
90200984ESC	SADDLEBAGS (2 OF 2)
90200984ESH	SADDLEBAGS (2 OF 2)
90200984ESK	SADDLEBAGS (2 OF 2)
90200984ESN	SADDLEBAGS (2 OF 2)
90200984ESU	SADDLEBAGS (2 OF 2)
90200984ESW	SADDLEBAGS (2 OF 2)
90200984ETF	SADDLEBAGS (2 OF 2)
90201295	SADDLEBAGS (2 OF 2)
90201296	SADDLEBAGS (2 OF 2)
90201319	FRAME AND FORK, REAR AND TOUR-PAK SUPPORT GUARDS, SADDLEBAG
90201320	FRAME AND FORK, REAR AND TOUR-PAK SUPPORT GUARDS, SADDLEBAG
90201540	SADDLEBAGS (2 OF 2)
90201742	SADDLEBAGS (2 OF 2)
90201743	SADDLEBAGS (2 OF 2)
90202108	FRAME AND FORK, REAR AND TOUR-PAK SUPPORT GUARDS, SADDLEBAG
90202255	GUARDS, SADDLEBAG
90202256	GUARDS, SADDLEBAG
90300024	SADDLEBAGS (2 OF 2)
90300030	TOUR-PAK (BOTTOM)
90300043	CONSOLE, FUEL TANK - FLHT, FLHTK, FLHX, FLH, FLTRK AND FLTRX (2 OF 2) INSTRUMENTS, FUEL TANK - FLHR AND FLHRXS NACELLE AND HEADLAMP - FLHR AND FLHRXS (2 OF 2) SWITCHES (2 OF 2)

	TOUR-PAK (BOTTOM) SADDLEBAGS (2 OF 2) LOOSE PARTS (1 OF 3)
90300093	FUEL TANK - FLHR, FLHRXS, FLHXS AND FLTRXS
90300096A	CONSOLE, FUEL TANK - FLHT, FLHTK, FLHX, FLH, FLTRK AND FLTRX (1 OF 2)
90300111	SWITCHES (2 OF 2) LOOSE PARTS (1 OF 3)
90300112	SWITCHES (2 OF 2) LOOSE PARTS (1 OF 3)
90493-83	FRAME AND JIFFY STAND - FLHR, FLHT, FLHTK, FLHX, FLH, FLTRK, FLTRX (2 OF 2)
90520-07	FRAME AND JIFFY STAND - FLHRXS, FLHXS, FLTRXS FRAME AND JIFFY STAND - FLHR, FLHT, FLHTK, FLHX, FLH, FLTRK, FLTRX (2 OF 2)
90770-79	CLUTCH CONTROL
90820-93D	SHOCK ABSORBERS, REAR LABELS
90821-74C	TOUR-PAK (COVER) LABELS
90844-80	TOUR-PAK (BOTTOM)
90869-85A	TOUR-PAK (COVER)
91140-09	FENDERS, REAR
91700025A	FORK, FRONT
91800058	INDUCTION MODULE, FUEL
91800064	ENGINE ASSEMBLY - Milwaukee-eight™ 107 ENGINE ASSEMBLY - Milwaukee-eight™ 114
91840-03B	MIRRORS
91845-03B	MIRRORS
9208	FRAME AND FORK, REAR AND TOUR-PAK SUPPORT
9215	CRANKCASE CAMSHAFTS AND CAMSHAFT COVER (1 OF 2)
923	AIR CLEANER - FLHRXS, FLHXS, FLH, FLTRXS TOUR-PAK (COVER)
9231	PRIMARY HOUSING
9252A	WHEELS, FRONT (1 OF 2) WHEELS, REAR (1 OF 2)
92614-10	MIRRORS
92615-10	MIRRORS
9276B	BELT, CHAIN AND SPROCKETS

	WHEELS, FRONT (1 OF 2) WHEELS, REAR (1 OF 2)
933	WINDSHIELD, FAIRING AND HEADLAMP - FLTRK, FLTRX AND FLTRXS (1 OF 2) LOOSE PARTS (2 OF 3)
94000326	LOOSE PARTS (1 OF 3)
94000601	LOOSE PARTS (1 OF 3)
94000634	LOOSE PARTS (1 OF 3) LOOSE PARTS (2 OF 3) LOOSE PARTS (2 OF 3) LOOSE PARTS (3 OF 3) LOOSE PARTS (3 OF 3)
94000877	LOOSE PARTS (2 OF 3) LOOSE PARTS (3 OF 3)
94000878	LOOSE PARTS (2 OF 3) LOOSE PARTS (3 OF 3)
94000916	LOOSE PARTS (1 OF 3)
94000916FRCN	LOOSE PARTS (2 OF 3)
94000916JA	LOOSE PARTS (2 OF 3)
942	CAMSHAFTS AND CAMSHAFT COVER (1 OF 2) SENSORS AND SWITCHES, ENGINE
946	AIR CLEANER - FLHR, FLHT, FLHTK, FLHX, FLTRK, FLTRX
95595-84C	WHEELS, FRONT (1 OF 2) WHEELS, REAR (2 OF 2)
9701A	TRANSMISSION BEARINGS AND COVERS
9819	WIRING HARNESS, MAIN - FLHT, FLHX, FLHXS AND FLH (5 OF 10) WIRING HARNESS, MAIN - FLHTK (5 OF 10) WIRING HARNESS, MAIN - FLHR, FLHRXS (5 OF 10) WIRING HARNESS, MAIN - FLTRX, FLTRXS (5 OF 10) WIRING HARNESS, MAIN - FLTRK (5 OF 10) BATTERY
9825	WIRING HARNESS, MAIN - FLHR, FLHRXS (5 OF 10)
9853	HANDLEBAR
9907	BRAKE CONTROL, REAR SWITCHES (1 OF 2)
9955	EXHAUST SYSTEM (1 OF 2)
9956	EXHAUST SYSTEM (1 OF 2)

Component Types and Introduction Dates

[View interactive table](#)

7586	Unknown
8144	Unknown
8142	Unknown
7576	1990
7624	Unknown
7629	1990
7792	2012
8135B	Unknown
7813A	2007
3633	Unknown
71660-03A	2018
76259-86	1986
7888A	Unknown
7900	Unknown
7825	Unknown
5210	1991
5211	Unknown
7687	2009
31694-90	1990
84850-92	1992
7992	2010
74408-08A	2008
7889	Unknown
7495	1994
10100062	2017
7499	Unknown
7492	1993
7340	Unknown
7880	Unknown
7330	Unknown
7331	Unknown

7964	Unknown
90844-80	1980
8020	2002
8108	Unknown
7744	1943
7593	1991
7549A	Unknown
7601	1990
102A1 - Generic Screws	
2446	Unknown
3536	Unknown
2667	2016
10200429	2017
2921A	2018
3983	2005
882	2000
3987	Unknown
10200135	2013
3048	2016
68026-99	1999
10200414	2017
2452	Unknown
2563	2009
10200365	2015
10200141	2014
10200308	2017
10200142	2014
10200268	2014
3622	Unknown
4741A	1994
10200147	2014

3050	Unknown
4916	Unknown
786A	Unknown
2692WB	Unknown
3655A	Unknown
3976	2004
3634	Unknown
3057	Unknown
3249	Unknown
4688	Unknown
4718A	1994
2479	Unknown
2933	Unknown
2478	2007
10200303	2017
35259-06	2006
10200373	2017
3022A	Unknown
10200400	2016
10200503	2017
43567-92	1992
10200156	2014
10200155	2014
3514	Unknown
10200154	2014
2482	Unknown
4597M	Unknown
791A	2007
942	1992
4694	2018
3561WC	Unknown

3612	2012
3275	2002
10201167	2021
4890	Unknown
10200408A	2018
4705	2005
68452-86	1986
4132	Unknown
4740A	1994
10200120	2011
10200706	2018
3656	Unknown
4240	Unknown
933	Unknown
3607	2009
2731W	Unknown
10200393	2017
2952A	2003
10200134	2014
3560WA	Unknown
2968	Unknown
3601	Unknown
10200133	2014
2647B	Unknown
4822A	1994
68120-00	2000
90770-79	1979
10201023	2020
3061	Unknown
4924	Unknown
3576	2013

3594	1992
3088	Unknown
4856	Unknown
10200112	2014
2995	2018
2708A	Unknown
2998	Unknown
923	Unknown
10200205	2014
4816A	Unknown
10200331	2014
68042-99	1999
3152	Unknown
4419	Unknown
4612	Unknown
869	Unknown
3699D	2006
3929	2009
2724	Unknown
10200463	2017
787	Unknown
3225	Unknown
3588	1990
35244-06	2014
3901	Unknown
3563	1999
10200103	2014
3143	Unknown
10200105	2014
780	Unknown
29269-83A	1983

67721-48	1948
1775	Unknown
3910	2014
2531	Unknown
10201186	2021
4820A	Unknown
10201187	2021
10201188	2021
10200546	2017
4867	Unknown
10200042	2014
8175	2004
10200223	2014
3767B	2009
946	Unknown
10200446	2017
10200442	2016
10200052	2014
1009M	Unknown
3684	Unknown
4312C	Unknown
4067	2009
3787	Unknown
10200533	2016
10200350	2015
3676	Unknown
856A	1990
1062	Unknown
10200349	2015
3445	Unknown
10200217	2014

10200060	2014
10200061	2014
4813A	1990
10200062	2014
10200063	2014
10200569	2017
703B	Unknown
10200064	2014
10200065	2014
10200343	2017
10200059	2014
4790	Unknown
1332	2010
4194	Unknown
42858-06A	2006
3892	Unknown
4775	2000
10200257	2015
10200258	2014
10200422	2017
2445	Unknown
103A1 - Generic Washers	
6019	Unknown
6026	Unknown
7415A	Unknown
11891	Unknown
56159-73	1973
7130W	Unknown
6497HW	2010
7434	1999
6220W	Unknown

46509-01	2001
8972	Unknown
6116	Unknown
6789	Unknown
59788-01	2001
6113	Unknown
6333	Unknown
6150W	Unknown
6054	Unknown
6109	1980
6101	2011
6594	Unknown
7129	Unknown
6072	Unknown
6590HW	Unknown
6127	Unknown
6532	2000
6036	Unknown
6421	1996
6416	Unknown
7038	1998
7041	1958
6703	1970
6702	Unknown
6235	Unknown
104A1 - Custom Nuts	
7352	2010
10400034	2016
54321-85	1985
7606	1983
105A1 - Custom Screws	

10500022	2014
10500017	2014
10500015	2014
10500031	2014
10500008	2014
10500036	2014
10500184	2021
10500069	2017
37090-98A	1998
108A1 - Hose Clamps	
10053	2010
10800023	2013
10800025A	2017
10344	Unknown
55918-08	2008
66047-05	2005
10800111	2017
10800078	2014
69563-06	2006
10340B	2015
10800109	2017
10800108	2017
10800052	2014
9956	1972
9955	Unknown
10080	Unknown
108B1 - P Clamps	
10800028	2014
10076	2010
109A1 - Studs	
59818-09	2009

3265A	Unknown
66290-06	2006
10900005	2014
10900015A	2018
10900054	2021
110B1 - Plain Bushings	
8967A	2017
11000139	2017
11519	Unknown
11000050	2014
12077	Unknown
67266-94	1994
9701A	2011
9208	Unknown
110C1 - Radial Shaft Seals	
11000134	2017
11000101	2013
12074	Unknown
12052A	2003
110D1 - Rolling Element Bearings	
8860	Unknown
9215	Unknown
8963	Unknown
9252A	2017
11000010	2011
9231	Unknown
24605-07	2007
8970A	2012
8042A	2018
9276B	2017
111A1 - Adhesive	

73304-04	2004
9825	Unknown
9819	Unknown
72560-07	2007
72264-94	1994
58417-77	1977
9907	Unknown
72527-01	2001
72990-01	2001
72008-05	2005
74196-04	2004
72110-06	2006
111B1 - Tape	
11100066	2013
111C1 - Insulating Tape	
44854-05	2005
11100115	2014
11668	Unknown
111D1 - Isolating Tape	
11100050	2014
11100051	2014
11100057	2014
11100152	2015
11100038	2014
111E2 - Mounting Pad	
11100195	2017
111F1 - Protective Tape	
11100068	2014
116A1 - Banjo Bolts	
50674-05	2005
41750-06B	2006

41783-08	2008
11600009	2014
11600001	2012
117A1 - Coil Springs	
33085-74	1974
119A1 - O-Rings	
11900180	2020
11900010	2013
11900155	2020
11686	Unknown
11900092	2017
11105	Unknown
11900090	2017
11145A	2007
11900103	2017
11900116	2017
11900172	2020
46508-01	2001
11201	Unknown
11323A	2016
11120	Unknown
11132A	2007
11293	1996
27444-00Y	2000
11179	1986
11900021	2014
120A1 - Pins	
16583-00A	2000
601	Unknown
50933-86A	1986
221	Unknown

16574-99A	1999
16589-99A	1999
42460-80B	1980
515	Unknown
24754-75A	1975
45041-01A	2001
121A1 - Grommets	
12100162	2020
11692	Unknown
11437	Unknown
12100113	2017
12100043	2014
12100020	2014
12100018	2014
12100017	2014
57978-00	2000
11543	Unknown
11650	2010
12100007	2014
59778-06	2006
121B1 - Press-Fit Plugs	
59749-06	2006
12100034	2014
72097-06	2006
12100023	2014
70292-89	1989
765	1997
761	1996
755	2018
90520-07	2007
12100069	2017

12100154	2019
122A1 - Retaining Rings	
10998	1985
17945-36B	1936
10264	Unknown
35114-02	2002
65325-83A	1983
35087-99A	1999
10183	1996
10103	Unknown
61012-04A	2004
11150	1984
12200092	2014
10395	Unknown
10396	Unknown
9853	Unknown
10991A	Unknown
61213-04A	2004
11177A	1996
11615	Unknown
12200025	2014
11389	Unknown
11304	Unknown
11096	2010
11082A	2016
11081A	2008
60678-85	1985
10147	2018
41229-08	2008
11575	Unknown
12200144	2018

12200064	2014
11161	1984
122A2 - Retaining Clips	
12200226	2021
12200170	2018
12200221	2021
10334	2014
123A1 - Sealing Washers	
41751-06A	2006
123B1 - Spring Washers	
7155	Unknown
7069	Unknown
124A1 - Spacers	
12400100	2015
12400034	2014
41900-08	2008
46515-01	2001
12400099	2017
11599A	2012
11848	Unknown
5837B	2020
125A1 - Tie Straps	
12500014	2017
10065	1985
12500018	2017
10039	1981
10177	1996
10006	1960
12500002	2012
126A1 - Miscellaneous Hardware	
8041	Unknown

68331-02	2002
59292-94	1994
12600093	2014
90493-83	1983
12600073	2014
12600071	2014
12600070	2014
12600049	2014
56161-83A	1983
12600309	2021
12600032	2014
8873	1984
57638-08	2008
126B1 - Rivets Fasteners	
70291-89	1989
12600116	2014
12600067	2014
11779	2008
12600016	2011
126B2 - Tree Fasteners	
12600197	2017
127B1 - Generic Mounting Bracket	
12700090	2017
12700091A	2020
140A1 - Battery Warning Label	
14002218	2020
15368-01A	2001
14002622	2021
140A2 - General Warning Label	
14001799	2019
14001773	2019

90821-74C	1974
14002210	2020
14002211	2020
14002215	2020
14001799A	2021
14001734	2019
14001737	2019
14001739	2019
14001738	2019
14001736	2019
28012-09	2009
15385-08	2008
14002626	2021
14001859	2019
140A3 - Other Special Warning Label	
15342-06A	2006
15370-01A	2001
14002216	2020
14002217	2020
14001800	2019
15346-98A	1998
90820-93D	1993
14002629	2021
14002628	2021
140G2 - EPA Label	
29108-08	2008
140H1 - Label Set	
14001131	2016
140P2 - General Label	
14001903	2020
14000827	2013

14002621	2021
141A1 - Medallion	
14100891	2016
14101509	2021
14101507	2021
14100158	2014
14101666	2021
14100764	2017
14101510	2021
14101073	2018
14101270	2021
14101271	2021
14101269	2021
14100855	2017
14101248	2020
14101245	2021
14101244	2021
14101241	2020
14101278	2020
14101279	2020
14101277	2020
14101240	2020
14101238	2021
14101239	2021
44341-08	2008
14100079	2014
14100080	2014
14100085	2014
14100230	2014
14101107	2018
14100615	2015

42856-06	2006
14101306	2021
14101371	2019
14101287	2020
14101286	2020
14100087	2014
162D1 - Engine Assembly	
16200662	2020
16200661	2020
16200660	2020
16200659	2020
16200667	2020
16200666	2020
162D3 - Engine Assembly Short Block	
16200582	2019
16200265	2017
163A1 - Engine Isolator	
16300005	2017
164A1 - Engine Mount Bracket	
16400049	2017
16400005	2014
16400042	2017
164B1 - Engine Mount Bracket sub-component	
7600	Unknown
7716	1990
7531	1980
7667	Unknown
7686	Unknown
16219-09	2009
8194	Unknown
7848W	Unknown

164D1 - Tiebar Mount	
16400041	2017
165A1 - Cylinder Head	
16500508	2017
16500388	2017
16500393	2017
16500498	2017
165B1 - Cylinder Head and Base Gaskets	
17369-06	2006
16500305	2017
16500326	2017
16500332	2017
168A1 - Cylinder	
16800100	2017
16800075	2017
16800095	2017
16800080	2017
168C1 - Cylinder Stud	
16800063	2017
173A1 - Rocker Arm	
17300055	2017
17300053	2017
173B1 - Rocker Arm Shaft	
17300059B	2020
179A1 - Lifters	
18538-99C	2011
179B1 - Push Rod	
17900031	2017
17900030	2017
179C1 - Lifter Anti-Rotation Device	
17900035	2017

17900034	2017
180A1 - Valves	
18000034	2017
18000016	2017
181B1 - Valve Seals	
18100044	2017
181C1 - Valve Collars	
17947-36	1936
17968-99	1999
18100060	2017
18100045	2017
18100043	2017
184A1 - PT Camdrive and Valvetrain Miscellaneous Component	
18400073B	2018
219Z1 - Kit,Piston	
21900048	2017
21900049	2017
220A1 - Piston Ring	
22000031	2014
220Z1 - Kit,Piston Ring	
22000061	2017
22000060	2017
221A1 - Piston Pin	
22097-99	1999
22100006	2017
239A1 - PT Lower End Miscellaneous Component	
8026K	Unknown
241A1 - Flywheel	
24100045A	2019
24100057A	2019
241Z1 - Kit,Flywheel	

24100080	2017
244A1 - Crankcase	
24400120	2017
244B1 - Crankcase Gasket	
24400215	2017
244F1 - Oil Pan	
24400180	2017
254A1 - Camdrive Gear	
25566-06	2006
254B1 - Camshaft	
25675-06	2006
25673-06	2006
25400190	2017
254C1 - Camshaft Sprocket	
25400103	2017
254D1 - Camshaft Support	
25400133	2017
254Z1 - Kit,Camdrive	
25400257	2017
255C1 - Camdrive Chain Tensioner	
25500013	2017
256A1 - Timer Cover	
25600146	2020
25600078	2018
25600110	2019
257A1 - Cam Cover	
25700467	2017
25700367	2017
25700698	2018
257B1 - Clutch Cover	
25701145	2019

25700388	2015
25700904	2019
25700902	2019
257E1 - Cover Gaskets	
36805-06	2006
61402-08	2008
25700372B	2018
25700452	2017
65324-83B	2009
67208-08	2008
35654-06	2006
25700455	2017
25700425	2017
25700370	2017
71294-08	2008
25700362	2017
61109-85D	1985
11936	Unknown
42857-06B	2013
25700378	2017
25700433	2017
61192-96A	1996
11902	Unknown
257G1 - Ignition Cover	
25700489	2015
257L1 - Primary Cover	
25700418	2017
25701144	2019
25700650	2017
25700491	2017
257M1 - Push Rod Cover	

17948-99A	2018
257N1 - Rocker-Arm / Valve Cover	
25700520	2017
25700693	2018
25700409	2017
25700692	2018
257P1 - Tappet Cover	
25700411	2017
25700410	2017
257S2 - Sub-Assembly,Cover	
25700870	2018
25700637	2017
257Z1 - Kit,Cover/Sealing	
25700746	2017
25700731	2017
25700730	2017
25700729	2017
25701000	2018
25700830	2017
258A1 - PT Covers Miscellaneous Component	
25800048	2017
25800141	2021
25800098	2018
25800082	2019
25800080	2018
265A1 - Vent / Breather Line	
26500026	2020
265Z1 - Kit,Vent/Breather	
26500027	2020
266B1 - Water Pump	
26600048A	2021

268B1 - Cooling Fan	
26800007A	2014
26800019A	2014
268B2 - Cooling Fan Guard	
26800008	2014
268C1 - Radiator	
26800005	2014
26800006	2014
268E1 - Radiator sub-component	
26800020A	2014
268F1 - Radiator Pressure Cap	
26800194	2021
26800021	2014
268H1 - Radiator System Cover	
26800077A	2020
26800092	2017
26800009	2014
269A1 - Cooling Line Fitting	
26900117	2017
269A2 - Coolant Line	
26900133	2017
269B1 - Radiator Hose	
26900144	2017
26900088	2017
26900145	2017
26900115	2017
26900018	2014
26900016	2013
26900017	2013
26900114	2017
26900010	2014

26900008	2014
26900009	2014
269F1 - Radiator Overflow Tank Cap	
26780-05A	2006
269G1 - Radiator Overflow Tank	
26900014	2014
272B1 - Throttle Body / Intake Manifold	
27200025	2017
273A1 - Intake Manifold	
27300121	2017
273A2 - Intake Manifold to Cylinder Head Seal	
27300087	2017
273C1 - Throttle Body/Intake Manifold sub-component	
27300086	2017
273G1 - Throttle Body	
27300122	2017
273K1 - Throttle Body to Manifold Seal	
27300082	2017
274B1 - Fuel Rail	
27400019	2017
274C1 - Fuel Injector	
27400015	2017
275A1 - PT Upper End Miscellaneous Component	
37313-80	1980
290A1 - Airbox Baseplate	
29000148	2017
29000120	2017
29000121	2017
290D1 - Airbox Seal	
29000149	2017
29000108	2017

29000106	2017
290Z1 - Kit,Airbox	
29000291	2019
29000290	2019
29000301	2019
29000216	2017
292A1 - Air Duct	
29200041BYM	2015
29200137	2020
29200134	2020
29200088A	2019
29200073	2015
29200075	2015
29200078	2015
29200080	2015
29200081	2015
292B1 - Air Duct Bezel	
29200087A	2019
29200007	2014
294A1 - Air Filter Element	
29400212	2017
29400267	2017
294B1 - Breather Bolt	
29465-08B	2017
294C1 - Breather Hose	
29400211	2017
29400337	2017
29400336	2017
294F1 - Engine Breather Valve	
29400210	2017
29400183	2017

299B1 - Charging Rotor Assembly	
29900038A	2020
299C1 - Charging Rotor	
29900041	2017
299F1 - Stator Assembly	
29900042A	2017
314F1 - Starter Motor	
31400053	2017
314H1 - Starter Solenoid	
31400137	2021
316A1 - Ignition Coil	
31600017	2017
316B1 - Spark Plug Cable	
31600018B	2018
31600079	2017
31600078A	2017
31600023A	2017
316C1 - Spark Plug	
31600012	2015
327A1 - Sensor	
50126-08B	2018
32700050A	2018
32700101	2019
32700144	2020
327B1 - Chemical / Gas Sensor	
32700124	2021
32700130	2021
32700116	2021
327C1 - Pressure Sensor	
40615-08	2008
327D1 - Proximity Sensor	

32700017	2014
32700015	2014
327E1 - Temperature Sensor	
32700010	2014
32700066	2015
32700065	2017
32700054	2017
336A1 - Shift Linkage Rod Assembly	
33600304	2019
33600188	2017
33600088	2017
33600091	2017
336C1 - Shift Linkage Rod End	
33719-79B	1979
336D1 - Shift Pedal	
33895-82E	2017
336F1 - Toepeg	
34611-65A	1965
336Z1 - Kit,Shift Lever	
33600243	2017
339A1 - Shift Lever	
33900175	2017
339D1 - Shifter Fork	
35223-06A	2020
35222-06A	2020
35217-06	2006
35210-06	2006
35187-06	2006
339H1 - Shifter Mechanism Components (internal)	
35186-06A	2020
35243-06A	2020

33900172	2017
34064-00C	2000
33389-07	2014
34091-08	2008
35249-06A	2006
34987-06	2006
35081-06	2006
33409-06B	2006
35082-07	2007
347B1 - Transmission Case	
34700372	2021
348C1 - Transmission Top Cover	
34800046	2018
34800044	2018
34800043	2018
350A1 - Transmission Output Sprocket	
35000152	2017
350E1 - Transmission Gear	
35122-06A	2018
35000179	2018
350F1 - Transmission Mainshaft	
35000178	2018
35467-06C	2017
350G1 - Transmission Shim / Spacer	
25736-06	2006
25731-06	2006
25729-06	2006
11207A	2009
25738-06	2006
25737-06	2006
25734-06	2006

350S2 - Sub-Assembly,Transmission Mainshaft	
35000198A	2018
352A1 - Engine Balancer	
35200057	2018
35200141	2021
352B1 - Engine Balancer sub-component	
35200021	2017
356A1 - Transmission Countershaft	
35807-06	2006
35600094	2018
35814-06	2006
35811-06	2006
35600103	2017
356B1 - Transmission Dog Ring	
35204-06	2006
35126-06	2006
356C1 - Transmission Dog Ring Guide Hub	
35202-06	2006
35124-06	2006
363A1 - PT Driveline Miscellaneous Component	
40901-05	2005
35260-06B	2016
35241-06	2006
35242-06	2006
37069-90A	2010
365A1 - Primary Chain	
40037-07	2007
365B1 - Primary Chain Tensioner	
36500075	2017
365E1 - Inner Primary Housing	
36500052A	2020

367A1 - Clutch Lever	
36700249	2021
36700250	2021
367E1 - Clutch Lever Mount Clamp	
36700246	2021
367F1 - Clutch Lever Perch	
36700254	2021
367G1 - Clutch Lever Pivot Bolt	
36706-01K	2001
367H1 - Clutch Lever sub-component	
36700257	2021
37312-75	1975
34920-86A	1986
37904-90	1990
37909-90	1990
370A1 - Clutch Assembly	
37496-90A	1990
37000168	2017
37000169	2017
37000254A	2019
370C1 - Clutch Hub	
37000083	2013
370E1 - Clutch Metal Plate	
37092-06	2006
37903-90	1990
370F1 - Clutch Pressure Plate	
37000032A	2017
370F2 - Clutch Spring Pressure Plate	
37000270A	2018
370J1 - Miscellaneous Clutch Sub-Component	
37000258	2017

37000295	2019
37000033	2013
37000034	2013
37000219	2017
370Z1 - Kit,Clutch	
37000376	2021
372D1 - Clutch Cable	
37200441	2021
37200396	2018
37200395A	2018
37200439	2021
37200437	2021
37200440	2021
37200545	2021
400A1 - Drive-Belt	
40024-09A	2015
401A1 - Engine Sprocket	
83936-09A	2013
40100064	2017
40100041	2014
401Z1 - Kit,Engine Sprocket	
40100076	2017
409A1 - Rear Wheel	
40900822	2021
40900597	2020
40900594	2020
41052-09	2009
40900603	2020
40900600	2020
40900528	2020
409Z1 - Kit,Rear Wheel	

40900661	2020
410A1 - Body Control Module (BCM)	
41000342F	2020
41000341F	2020
410D1 - Electronic Control Module (ECM)	
41000677	2021
411A1 - ABS Control Unit	
41100104B	2021
413A1 - Brake Caliper	
43027-08	2008
44023-08	2008
44160-00	2000
413B1 - Brake Bleeder Screw	
42853-06	2006
413C1 - Brake Caliper sub-component	
12102	Unknown
42851-06	2006
413D1 - Brake Pad	
42867-06A	2006
41854-08	2008
41852-08B	2012
413E1 - Brake Pad Pin	
42865-06B	2006
42849-08	2008
415B1 - Brake Rotor	
41500017	2014
41500018	2014
41809-08A	2014
41500157	2020
41808-08A	2014
41500019	2014

41500020	2014
41810-08B	2012
416A1 - Brakes Miscellaneous Component	
42860-06B	2006
42852-06A	2006
42934-08	2008
42863-06	2006
72023-51E	2012
44089-08	2008
416B1 - Brake Mounting Bracket	
41600320	2021
41600091	2014
41600078	2014
41600029A	2015
41600316	2020
41600032	2014
417A1 - Brake Master Cylinder Assembly	
44551-08F	2018
44985-10D	2018
41700028A	2018
417B1 - Brake Master Cylinder	
42889-06	2006
42855-06D	2018
417C1 - Brake Master Cylinder Piston Set	
41700195	2014
42861-06B	2006
42932-08A	2013
417D1 - Brake Master Cylinder sub-Component	
42862-06B	2010
41700367	2015
42937-08C	2018

417G1 - Front Brake Lever	
42276-06A	2006
417H1 - Front Brake Master Cylinder Mount Clamp	
41700948	2021
45138-08A	2008
417Z1 - Kit,Brake	
42859-06B	2006
418B1 - Brake Line	
41800012	2014
41800011	2016
41800314	2015
41800510	2016
41800544	2017
41800545	2017
41800542	2017
41800543	2017
41800546	2017
41800547	2017
41800541	2017
420A1 - Wheel Rim	
41445-09	2009
43085-97	1997
421A1 - Wheel Spoke with Nipple	
43241-05	2005
42018-09	2009
41746-09	2009
422B1 - Wheel Sprocket	
40217-09	2009
422C1 - Wheel Sprocket Compensating Cushion	
40278-09	2009
423C1 - Rim Strip	

43099-09	2009
43147-40	1940
423D1 - Tire Inner Tube	
40592-09	2009
40558-82	1982
423F1 - Tire Pressure Monitor	
42300139	2021
42300142	2021
42300143	2021
42300140	2021
423G1 - Valve Stem	
40999-87	1987
42300141	2021
423H1 - Valve Stem Cap	
41123-79	1979
423K1 - Wheel Weights	
42300001	2011
95595-84C	2017
424A1 - Wheels, Tires and Final Drive Miscellaneous Component	
44080-08C	2012
430D1 - Front Axle	
41547-07A	2007
430E1 - Rear Axle	
43000207	2020
43000203	2020
431A1 - Front Tire	
44026-09A	2009
43118-92A	1992
43100045	2020
43109-09A	2009
432A1 - Rear Tire	

43200054	2021
43200027	2014
43200045	2020
433A1 - Front Wheel	
40960-09	2009
43300841	2021
43300618	2020
43300624	2020
43300627	2020
43300621	2020
43300533	2020
433B1 - Front Wheel Bearing Spacer	
56163-93	1993
48489-02	2002
11843	2009
41901-08	2008
41349-07	2007
433Z1 - Kit,Front Wheel	
43300673	2020
454A1 - Front Telescopic Fork	
45400181	2017
45400182	2017
45400198	2017
45400197	2017
45400102	2017
45400103	2017
45400196	2018
45400195	2018
455A1 - Front Telescopic Fork Slider	
45500111	2014
45500109	2014

45500175B	2015
45500176B	2015
455B1 - Front Telescopic Fork Spring	
45500456	2017
45500396	2017
45500337	2017
455C1 - Front Telescopic Fork sub-component	
71310-94	1994
46514-01A	2010
45500397	2017
45500424	2017
45500398	2017
45500421	2001
46513-01	2001
45500132	2014
45500339	2017
45500118	2014
45500117	2014
45500341	2017
456A1 - Fork Protector	
45600003	2014
45600055	2017
45600054	2017
456C1 - Fork Lock	
71540-94B	2016
457D1 - Steering Stem	
45700020A	2014
457E1 - Steering Stem Bearing Insert Cup	
45700009	2014
458A1 - Front Suspension and Steering Miscellaneous Component	
45800023	2014

46615-06	2006
459B1 - Lower Triple Clamp	
45900024	2014
45900091A	2014
470A1 - Frame	
48079-09BHP	2009
47000088BHP	2017
470Z1 - Kit,Frame	
58002-09A	2017
472A1 - Frame sub-component	
6982	Unknown
10600007	2014
7036	Unknown
472C1 - Front Fairing Support Bracket	
47200217	2015
47200278	2015
47200281	2015
47200266	2015
47200354	2017
47200262	2015
47200261	2015
58888-98A	1998
472C2 - Fairing Lower Support Bracket	
47200275	2014
472D1 - Chassis Structure Miscellaneous Component	
49050-09A	2014
472D2 - Chassis Structure Mounting Bracket	
68712-94A	1994
68629-05	2005
47200302A	2017
91140-09	2009

472E1 - Frame Cover	
47200492	2018
47200493	2018
47200080	2014
47200081	2014
474C1 - Swingarm	
47549-09A	2017
474E1 - Swingarm Assembly sub-component	
47584-09	2009
67875-11	2011
474F1 - Swingarm Bearing Spacer	
48487-02	2002
475B1 - Swingarm Pivot Shaft	
47540-11	2011
490C1 - Engine Guard	
49184-09A	2014
49000114A	2018
49000105A	2018
500B1 - Sidestand Bracket	
50000141A	2017
50000097	2017
50000143	2018
500C1 - Sidestand Bracket sub-component	
49725-07A	2007
500D1 - Sidestand Leg	
50075-07A	2011
50000149	2018
500E1 - Sidestand Leg sub-component	
50015-74A	1974
50245-07	2007
505A1 - Footboard	

52719-10	2010
50689-11	2011
51068-08	2008
50688-04	2004
50899-99A	1999
50683-04	2004
50684-11	2011
51070-08	2008
505B1 - Footpeg Mount Bracket	
50518-09	2009
50500332A	2016
50500462A	2016
50500334A	2016
50208-04	2004
50500460A	2016
50622-09A	2015
505C1 - Heel Guard / Pad	
50606-06	2006
50614-06	2006
505D1 - Passenger Footpeg	
50621-06A	2020
50500876	2017
50345-04	2004
505K1 - Footpeg Wear Peg	
50350-04	2004
505S2 - Sub-Assmembly, Footboard	
50501280A	2020
506A1 - Brake Pedal	
42444-04	2004
50912-72	1972
50600067	2014

42416-06	2006
42410-04	2004
50600245	2017
50600244	2017
507A1 - Rider Interface Miscellaneous Component	
54395-10	2010
520A1 - Rider Seat or Full Seat	
52000038	2014
52000033	2014
52000569	2021
52000122	2014
52000060	2014
52000142	2015
52000464A	2019
52320-11	2011
521A1 - Seat Support Structure	
52100006	2013
52220-08	2008
52301-09A	2014
521C1 - Seat Suspension Damper	
52100068	2021
521D1 - Seat Suspension Spring	
52100009	2013
52100069	2021
523B1 - Back Rest Pad	
52300053	2014
523C1 - Back Rest Support Structure	
52300127	2014
52300717	2021
52300122	2014
52300121	2014

52300123	2014
524A1 - Passenger Grab Handle	
52400018	2014
52400021	2014
52400015	2014
52400017	2014
52400016	2014
530A1 - Tour Pak	
53000124	2014
530B1 - Tour Pak sub-component	
53000141A	2017
53000311	2014
53000132	2014
53000346	2014
53000308	2014
53000091	2014
53000090	2014
90869-85A	1985
53000370	2014
530C2 - Case Latch	
53000345	2014
53000344	2014
53000342	2014
53000140	2014
53000137	2014
53000139	2014
53000138	2014
530E1 - Tour-Pak Luggage Rack	
53665-87	1987
53000125	2014
530Z1 - Kit, Tour Pak	

53000834	2020
540B1 - Rear Shock	
54000114	2017
54000096	2017
54000095	2017
54000094	2017
54000093	2017
540E1 - Rear Shock sub-component	
54000141	2017
558A1 - Handlebar	
55800767A	2021
55924-14A	2021
55801066A	2021
55800099	2014
55800761	2017
55800436	2016
55800734	2017
55800332	2015
55800926	2020
55800378	2015
558B1 - Handlebar Tube	
55800091	2014
559D1 - Lower Handlebar Clamp	
57450-14	2014
57451-14	2014
55900079	2015
55900078	2015
55900051	2014
55900052	2014
559E1 - Upper Handlebar Clamp	
55900071	2015

55900050	2014
560A1 - Mirror	
91840-03B	2003
56000011	2014
56000012	2014
56000015	2014
56000016	2014
92615-10	2010
92614-10	2010
91845-03B	2003
561E1 - Throttle Grip	
56304-08	2008
56248-08	2008
570A1 - Front Fairing	
57000290	2015
57000412	2015
57000504	2015
57000501	2015
57000017	2014
57000383	2014
57000377	2015
57000508A	2019
57000328DH	2014
57000509DH	2018
570C1 - Inner Fairing	
57000299	2014
57000374BYM	2015
57000065ERY	2021
57000064DH	2014
57000175	2014
57000064BYM	2014

57000065DH	2014
57000186A	2020
57000374DH	2015
57000169A	2018
57000305	2015
57000170	2014
57000172	2014
57000065BYM	2014
571A1 - Fairing Lower	
57100112	2014
57100111	2014
57100114	2014
57100113	2014
571B1 - Fairing Lower sub-component	
57100107	2014
57100109	2014
57100225	2014
57100187	2014
57100200	2014
57100172	2014
57100171	2014
57100170	2014
57100099	2014
57100167	2014
57100164	2014
57100165	2014
57100152	2014
57100151	2014
57100148	2014
57100147	2014
57100153	2014

57100154	2014
57100155	2014
57100256	2014
57100247	2015
572C1 - Chin Spoiler Side	
57200066	2015
57200064	2015
57200065	2015
57200063	2015
57200012	2014
57200017	2014
572D1 - Engine Shroud	
58169-09	2009
58167-09A	2017
572E1 - Side Cover	
32306-08	2008
66048-09A	2012
66250-09	2009
572Z2 - Kit,Spoiler	
57200269	2020
573A1 - Bodywork Miscellaneous Component	
57300063	2015
4706	Unknown
38722-94	1994
57300388	2021
7651A	Unknown
573B1 - Bodywork Mounting Bracket	
59786-01	2001
574B1 - Windscreen / Windshield	
58088-94	1994
58428-94	1994

57668-10	2010
57400441	2019
58084-94	1994
57400058	2014
58193-94	1994
57400001	2014
57400003	2014
57400002	2014
57400005	2010
57400004	2014
57400309	2016
57400308	2016
57400305	2016
57400303	2015
57400302	2015
58431-94	1994
57400250	2015
58325-06	2006
58327-06	2006
57400262	2015
57400260	2015
57400191	2015
58416-77A	1977
58406-75A	1975
57400187	2015
67621-94	1994
57994-94	1994
58408-75A	1975
589A1 - Front Fender	
58900009	2014
58900032	2014

595B1 - Tailsection Center	
59739-09	2009
595D1 - Rear Fender	
59500519	2018
58702-09A	2019
59768-97	1997
59500368A	2019
595S2 - Sub-Assembly,Rear Fender	
59731-09A	2017
60575-10A	2017
596B1 - Fender Tip	
59600003	2014
59600009	2014
59600008	2014
69615-10	2010
59600011	2014
59600046	2021
59581-05	2005
603B1 - Belt / Chain Guard	
60386-09	2009
608A1 - Carbon Canister	
60800006	2012
608B1 - Carbon Canister Hose	
27291-09A	2014
27297-09A	2014
60800062	2021
60800063	2021
609A1 - Fuel Miscellaneous Component	
70999-09	2009
6119	2016
61112-08	2008

62229-08B	2011
75076-08B	2011
60900036	2018
75291-08A	2011
75254-04A	2004
75269-08	2008
609B1 - Fuel and Intake Mounting Bracket	
70901-09	2009
610A1 - Fuel Tank	
61000691	2020
61356-08	2008
61000690	2020
611A1 - Filler Neck Trim	
75069-08D	2018
611B1 - Fuel Cap	
61274-92	1992
61100065	2016
61100093A	2020
61100120A	2020
61100122A	2020
61100124A	2020
61100123A	2020
61272-92E	2020
611F1 - Fuel Tank Vapor Vent Hose	
27440-09A	2014
69241-08	2008
611Z1 - Kit,Fuel Filling	
53919-04B	2018
612A1 - Fuel Filter	
61011-04A	2004
612B1 - Fuel Level Sensor	

75205-08A	2012
612B2 - Fuel Valve	
61015-04A	2004
62228-08C	2016
612C1 - Fuel Line	
61200022A	2021
612F1 - Fuel Pump	
62908-08	2008
613A1 - Trim Panel	
62775-08	2008
613B1 - Horn Cover	
61300626A	2017
61300523A	2017
613C1 - Intake / Fuel Tank Cover	
63603-05	2005
61278-08A	2016
613D1 - Intake / Fuel Tank Cover Trim	
61313-88	1988
613K1 - Airbox Cover	
61300922	2017
61300721	2017
61300750	2017
61300751	2017
613L1 - Airbox Cover sub-component	
61300935	2019
61300467	2017
61301131	2020
613M1 - Headlight Cover	
61300096	2014
61300095	2014
61300098	2014

61300097	2014
614A1 - Headlight Bezel	
61400173	2015
61400198	2015
614C1 - Trim	
61400135	2014
62152-08	2008
61400077	2014
15341-08	2008
61400081	2014
61400080	2014
61400159	2014
61400057	2014
62153-08	2008
59211-74A	1974
61400686	2021
61400063	2014
61400064	2014
61400671	2020
61400670	2020
62242-08	2008
53735-06	2006
62243-08	2008
53734-06	2006
62241-08	2008
61400498	2017
61400549	2018
61400550	2018
624A1 - Oil Pump Assembly	
62400238	2020
62400245	2020

62400242	2020
624B1 - Oil Pump Assembly sub-component	
62400055	2017
26210-99	1999
62400126	2017
26400-82B	1982
62400233	2020
624F1 - Oil Pump Seal	
62400205	2019
627A1 - Oil Cooler	
62700227	2020
62700196	2017
627B1 - Oil Drain Plug	
62700150	2017
60328-98B	1998
627E1 - Oil Filler Plug / Dipstick	
62700136	2017
37065-06A	2017
627E2 - Sight Glass	
42854-06	2006
627F1 - Oil Filter	
62700296	2020
627G1 - Oil Jet	
62700117	2017
62700089	2017
627H1 - Oil Line	
62700161	2017
62700143	2017
62700144	2017
627K1 - Oil Line Fitting	
26352-95A	1995

62700146	2017
627M1 - Oil Pressure Regulator Valve	
62700141	2017
628A1 - PT Lubrication and Cooling Miscellaneous Component	
62800028	2017
62800013	2013
62800004	2014
649A1 - Muffler	
64900236A	2019
64900817A	2021
64900765B	2021
64900767A	2021
64900769A	2021
64900239A	2021
64900237A	2021
64900815A	2021
64900235B	2021
64900952	2021
64900816	2019
64900955	2021
64900814	2019
64900953	2021
64900954	2021
64900238	2017
64900766A	2019
64900240	2017
64900770	2018
64900768	2018
651A1 - Muffler End-Cap / Outlet Finisher	
56250-10	2010
654A1 - Exhaust Shield	

65400483A	2020
65400176A	2020
62519-03	2003
65400545	2019
65400546	2019
65400547	2019
65400548	2019
65400179	2017
65400177	2017
65400178	2017
65400484	2018
65400485	2018
65400486	2018
655A1 - Muffler Mount	
65723-85	1985
66861-09B	2019
65724-85A	2016
655B1 - Exhaust Mount Strap / Clamp	
65296-95B	2021
65500042	2017
65500043A	2021
655C1 - Exhaust Mounting Bracket	
66881-09	2009
656E1 - Header Pipe	
65600377	2021
65600178A	2021
65600379	2021
65600176	2017
65600177	2017
659A1 - Exhaust Clamp	
65900015	2017

659B1 - Exhaust Flange	
65328-83A	2010
659C1 - Exhaust Gasket	
65900017	2017
65900056	2021
660A1 - Battery	
66010-97E	2021
66000066A	2021
66373-06	2006
660C1 - Battery Pan	
66000010A	2018
660D1 - Battery Strap	
66051-08	2008
660E1 - Ground Strap	
75322-09	2009
660F1 - Negative Battery Cable	
66000116	2017
660Z1 - Kit,Battery	
66000212A	2021
677A1 - Headlight	
69331-02	2002
67778-60A	1960
67700199	2015
67700456	2018
67700060	2014
67700329	2017
67700268	2016
67700269	2016
69325-02	2002
67700062	2014
67700249	2014

67700241	2014
67716-60C	2014
68725-62A	1962
67700457	2018
67780-60A	1960
67700105	2014
67726-08	2008
677B1 - Headlight sub-component	
67700120	2012
46555-03B	2014
67717-01	2001
67700065	2014
67712-83B	2014
677C1 - Headlight Support Bracket	
67700068	2011
67700205	2014
67700204	2014
678A1 - Taillight	
68245-03	2003
68558-03	2003
68066-99A	2004
69187-03A	2003
67800847	2017
68369-03	2003
68142-04	2004
68830-99A	1999
68296-99A	2004
68140-04	2004
68370-03A	2003
67800093	2014
68440-86	1986

67800101	2014
678B1 - Taillight Housing	
67800109	2014
72160-06	2006
678D1 - Turnsignal	
67800103	2014
67822-88	1988
73326-10	2010
69587-07	2007
67800299	2015
67801191	2020
67801193	2021
67801192	2020
67801194	2021
68550-09	2009
69293-06	2006
68767-94	1994
67800512	2015
67800513	2015
69292-06	2006
67800302	2015
67800303	2015
67800300	2015
67800301	2015
67015-02	2002
68766-94	1994
68765-94A	1994
73314-10	2010
68713-94A	1994
68997-09	2009
67800132	2014

67800484	2015
67800483	2015
67800900	2017
67800147	2012
67800906	2018
67800471	2015
68742-09	2009
67800148	2012
67800908	2018
68838-06	2006
68497-07	2007
68821-00	2000
67800708	2016
67800709	2016
68776-06	2006
67800703	2016
67800704	2016
67800485	2015
67800104	2014
678E1 - Turnsignal Lens	
68973-00	2000
68506-92	1992
69378-09	2009
68559-07	2007
68505-90	1990
679B1 - Reflector	
69490-07	2007
60907-09	2009
59259-90	1990
59482-00	2000
59481-00	2000

69862-07	2007
67900256	2014
69861-07	2007
59988-72A	1972
67900066	2014
67900067	2014
67900068	2014
67900065	2014
679C1 - Reflector Mount Bracket / Holder	
67900445	2017
679D1 - License Plate Bracket	
67900009	2012
69380-09BHP	2009
73255-10	2010
67900213A	2015
60909-09	2009
60918-10A	2015
11687	Unknown
73254-10	2010
67900582	2020
680A1 - Decorative Light	
53789-06	2006
69377-10	2010
69353-05	2005
68414-05A	2014
53788-06	2006
68721-62	1962
73309-10	2010
68846-09	2009
68720-62	1962
680C1 - Incandescent Bulb	

68572-64B	1964
68881-01	2001
68168-89A	1989
53436-97	1997
68000056	2012
68847-09	2009
68163-84	1984
68000038	2014
68167-04	2004
52441-95	1995
680D1 - Fog Light	
68000265A	2018
68000264A	2018
68000102	2014
68000103	2014
68000021	2014
68000020	2014
68000022	2014
68000174	2014
68000037	2014
68000036	2014
690C1 - Horn	
69060-90H	2014
690D1 - Horn Bracket	
69000083	2017
692B1 - Auxiliary Power Outlet	
69200826	2014
69200170	2014
69200171	2014
692C1 - Electrical Miscellaneous Component	
72232-96	1996

72299-95	1995
69200285	2014
72062-06	2006
69200173A	2021
73325-10	2010
73333-10	2010
69200840	2017
72189-04	2004
69200172	2014
69200175	2014
68253-08A	2012
692C2 - Electrical Mounting Bracket	
69201178	2017
69201924	2020
70493-08	2008
69202720	2021
71455-11	2011
69123-92A	1992
69202485	2021
69202636	2021
69120-91	1991
68519-68A	1968
69200257	2014
69200258	2014
69202637	2021
69201287	2017
69200284A	2016
69062-91A	1991
69202307	2021
69202417	2020
67341-04B	2004

692D1 - Fuse	
69200336A	2020
69200293	2014
72330-95	1995
72345-02	2002
72331-95	1995
692E1 - Fuse / Relay Block	
31586-07	2007
69200194	2014
69200312	2014
692E2 - Fuse / Relay Block Cover	
69201411	2017
692F1 - Wire Harness	
69201548	2017
69200128	2014
69200129	2014
69200127	2014
69200124	2014
69200125	2014
69200130	2014
69200139	2013
69200135	2014
69201017	2015
69200136	2014
69200138	2013
69200131	2014
69200032	2014
69202521	2021
69202523	2021
69200294	2014
69200298	2014

69200211	2014
69202230	2021
69202231	2021
69200752	2015
69200753	2015
69202712	2021
69202225	2021
69202228	2021
69202229	2021
69201018A	2016
69201724	2017
69200031A	2019
69200311	2014
69200248	2014
69200247	2014
69200629	2015
69200179	2014
69200122A	2020
69200224	2014
69200223	2014
69202614	2021
69202615	2021
69202616	2021
69201130	2017
692G1 - Conduit / Sheathing / Sleeving	
69202219	2019
70522-06B	2011
70554-69	1969
692G2 - Wire Guide	
69200702	2015
69200700	2015

72412-97	1997
72298-95	1995
69203026	2021
69202786	2021
692H1 - Connector	
72906-11	2011
76266-98A	2012
73152-96BK	1996
72632-10	2010
72519-09BK	2009
69202108	2019
69201779	2019
69202385	2019
69201400	2017
69201401	2017
69202354	2019
69200271	2014
69200272	2014
69201405	2017
69201406	2017
72908-11	2011
72081-11	2011
69200193	2014
69200529	2012
72905-11	2011
72063-06	2006
69200212	2014
69201397	2017
69202098	2019
72161-06	2006
72111-06	2006

69201441	2017
72127-06	2006
69202322	2021
69202323	2021
72098-06	2006
69202032	2021
69202028	2021
72444-07GY	2007
69200256	2014
69202109	2019
72009-05	2005
69201302	2017
69200255	2014
69200254	2014
69201395	2017
69201394	2017
69201393	2017
69202412	2020
69201390	2017
69200306	2014
69201299	2017
69200184	2014
72064-06	2006
69200183	2014
69200305	2014
73301-04	2004
72594-11	2011
69200220	2014
69200226	2014
72518-01	2001
72533-06	2006

69200225	2014
72575-11	2011
72130-04	2004
69200337	2014
72639-10	2010
72907-11	2011
692H2 - Terminal	
72296-95	1995
72343-10	2010
69201240	2014
72256-11	2011
69202104	2019
72910-11	2011
72364-06	2006
72227-11	2011
69200187	2014
69200186	2014
72272-07	2007
72356-95	1995
69200536	2014
72909-11	2011
5118	2011
72608-08	2008
72213-94	1994
72484-08	2008
72662-11	2012
72493-07	2007
72226-11	2011
72308-97	1997
72344-10	2010
72721-07	2007

72290-94	1994
69201814	2019
72222-11	2011
72169-07	2007
69202453	2021
72168-07	2007
72291-94	1994
69201300	2017
73307-10	2010
69201596	2017
72294-94	1994
72241-94A	1994
69201890	2021
69200307	2014
69200185	2014
69200237	2014
69200238	2011
69200308	2014
69200221	2014
72991-01	2001
74190-98	1998
74194-98	1998
72283-09	2009
72569-08	2008
692K1 - Connector / Terminal Seal	
69202106	2019
69201416	2017
69202107	2019
68904-00	2000
69201404	2017
69201407	2017

69201162	2016
69201163	2016
69201164	2016
73303-04	2004
72912-01BK	2001
69201396	2017
69201398	2017
72039-71A	1971
69201442	2017
69202031	2021
72449-01	2001
69201301	2017
74197-04	2004
68905-00	2000
69201392	2017
69201391	2017
72450-01	2001
692L1 - Wire Harness sub-component	
74191-98	1998
72606-08	2008
73213-07	2007
70345-84	1984
72512-07BK	2007
72488-07BK	2007
75229-08	2008
74152-98	1998
72415-07GY	2007
72099-06	2006
69200189	2014
72633-02	2002
69200188	2014

72175-07BK	2007
72902-01BK	2001
72473-07	2007
72214-94	1994
73190-96	1996
72511-07BK	2007
69200190	2014
69200191	2014
69200199	2014
72177-07BK	2007
73101-96BK	1996
73156-96BK	1996
69200295	2014
73106-96BK	1996
72904-01BK	2001
72479-07BK	2007
73152-96WE	1996
72499-07	2007
69200214	2014
69200210	2014
72145-06	2006
69200205	2014
72557-07	2007
72486-08	2008
69200201	2014
72167-07BK	2007
72166-07BK	2007
73153-96BK	1996
72478-07BK	2007
72720-07	2007
72038-71A	1971

69201722	2018
70494-08	2008
69200631	2014
72589-09	2009
69201307	2017
70681-09	2009
72053-92	1992
72405-98BK	1998
72066-06A	2006
73191-96	1996
72065-06A	2006
69200313	2014
72489-07GY	2007
72010-05	2005
72609-08	2008
72188-07BK	2007
73104-96BK	1996
73305-04	2004
72607-08	2008
72544-07	2007
72209-11	2011
73102-96BK	1996
72485-07	2007
69200222	2014
72295-94	1994
70631-08	2008
72490-07GY	2007
72494-07	2007
74112-98BK	1998
69201423	2017
73154-96BK	1996

72414-07BK	2007
72135-06	2006
72914-01BK	2001
72610-08	2008
692M1 - Electrical Component / Wire Cover	
69201286A	2018
709A1 - Dash Panel	
70900138	2014
70901014DH	2021
70901014BYM	2021
709B1 - Instrument Cluster or Speedometer	
70900122C	2020
70900124D	2020
70900421C	2020
70900120C	2020
70900118D	2020
70900373	2015
70900372	2015
70900374	2015
70900123C	2020
70900121D	2020
70900616B	2020
70900119C	2020
70900379C	2020
70900125C	2020
709B2 - Fuel Gauge	
70900163	2014
70900164	2014
70900161	2014
70900162	2014
70900166	2014

70900165	2014
75241-08	2008
709E1 - Tank Console	
61270-08	2008
70900840	2021
70901037	2021
70900117	2014
70900502	2015
70900744	2017
70900838	2021
69214-08	2008
70900465A	2015
714A1 - Ignition Switch	
71517-11A	2017
71400073	2012
71400081	2014
71400133A	2018
71400126B	2018
71400016B	2018
71400017B	2018
71400015B	2018
71400012B	2018
71400013B	2018
71400149	2020
71400010A	2016
714B1 - Mechanical Switch	
71565-08	2008
71522-08	2008
33926-06B	2006
71400031	2014
71400044	2014

71400005	2014
71400006	2014
71400007	2014
714C1 - Pressure Switch	
71400112A	2021
715A1 - Hand Control	
71500045	2014
71500046	2014
71500044	2014
71500049	2014
71500047	2014
71500048	2014
71500342	2016
71500127C	2018
71500340	2016
71500129C	2018
71500348	2016
56249-10	2010
71500501	2019
71500094	2014
56209-10A	2020
71500478	2019
71500562	2021
71500488	2019
71500063	2014
67493-08	2008
71500057	2014
71500055	2014
71500568	2021
71500564	2021
71500053	2014

71500566	2021
71500050	2014
71500473	2017
71500475	2017
71500338	2016
747A1 - Voltage Regulator	
74700025	2017
72350-11	2011
760B1 - Antenna	
68956-07	2007
76000183	2014
76000186	2014
76000789	2019
76000799	2019
76000554	2015
76000164	2014
76000165	2014
76353-00	2000
76000208	2014
76335-87	1987
760C2 - Audio System Speaker	
76000454	2015
76000455	2015
76000453	2015
76000819	2020
76000055	2014
76000875	2020
76000876	2020
76000878	2020
76000879	2020
76000092	2014

760C3 - Radio Receiver

7600075D	2019
76000780B	2021
76000783B	2021
76000784B	2021
76000781B	2021
76000785B	2021
76000779B	2021

760C4 - Rider-Passenger Communication System

77117-10	2010
76000243	2013
77148-10	2010
77126-10	2010

760C5 - Speaker Enclosure

76000458	2015
76000460	2015
76000160	2014
76000161	2014

760C6 - Media Storage Compartment

76000943	2019
76000234	2014
76000409DH	2014
76000376BYM	2015
76000373	2015
76000374A	2019
76000376DH	2015
76000436	2015
76000422	2015
76000107A	2019
76000425	2015
76000127	2014

76000409BYM	2014
76000409ERY	2021
76000370A	2019
76000944	2019
76000426BYM	2015
76000426DH	2015
76000398	2015
760C8 - Satellite Radio	
76000252	2014
760D1 - Infotainment Mount	
76000468	2015
760D2 - Infotainment Mount sub-component	
76000177	2014
76000917	2020
76000173	2014
76000174	2014
76000172	2014
902B1 - Saddlebag Cover	
90200411	2014
90200413	2014
902E1 - Saddlebag Bottom	
90201320	2015
90200412	2014
90200983DH	2014
90200414	2014
90200415	2014
90200519	2014
90201319	2015
90200522	2014
90200521	2014
90200520	2014

90200550	2014
90200549	2014
90200467	2014
90200964	2014
90200963	2014
90200611	2014
90200501	2014
90200505	2014
90200504	2014
90200899	2014
90201296	2015
90201295	2015
90200984DH	2014
90200900	2014
90200901	2014
90200499	2014
90200903	2014
90200902	2014
75089-08	2008
90202108	2020
902F1 - Saddlebag Guard	
90202255	2021
90202256	2021
90200506	2014
90200507	2014
90200790	2014
90200789	2014
90200863	2014
90200861	2014
902J1 - Saddlebag Latch	
90200984ESH	2021

90200984ESK	2021
90200984ESU	2021
90200984ESW	2021
90200984ETF	2021
90200984ERX	2021
90200984ESC	2021
90200983ESH	2021
90200983ESN	2021
90200983ESK	2021
90200983ESU	2021
90200983ENX	2020
90200983ESW	2021
90200983ENV	2020
90200983ETF	2021
90200983EOB	2020
90200983ERX	2021
90200984ENX	2020
90200983ESC	2021
90200984ENV	2020
90200984EOB	2020
90200984ESN	2021
902Z1 - Kit,Saddlebag	
90201540	2017
90201743	2017
90201742	2017
903A1 - Lockset	
61029-92A	1992
90300030	2014
90300024	2014
903B1 - Key or Key-set	
61081-92	1992

90300093	2014
903C1 - Key Transponder	
90300111	2017
90300112	2017
903Z1 - Kit,Lockset	
90300096A	2018
917B1 - Service Program Kit	
91700025A	2014
918B1 - Hardware Kit	
91800064	2017
91800058	2017
940A1 - Owner's Kit	
94000326	2016
940A2 - Owner's Manual	
94000634	2019
94000877	2021
94000601	2019
94000916	2021
94000916JA	2021
94000916FRCN	2021
94000878	2021

Common Service Parts

BEARINGS, SEALS & HARDWARE

[View interactive table](#)

PART NO.	DESCRIPTION	PART AND MODEL(S)
10080	CLAMP	<p><i>COOLANT DISTRIBUTION - AIR-COOLED:</i></p> <p>FLHR FLHX FLHXS FLTRX FLTRXS FLHRXS FLHT FLH</p>
1062	SCREW	PRIMARY HOUSING: All Models

PART NO.	DESCRIPTION	PART AND MODEL(S)
		<u>BRAKE LINES AND MODULE, REAR - ABS: All Models</u> <i>FAIRING, INNER - FLTRK, FLTRX AND FLTRXS (1 OF 2):</i> <u>FLTRX</u> <u>FLTRXS</u> <u>FLTRK</u>
11000101	OIL SEAL	<u>SHIFTER, GEAR: All Models</u> <u>TRANSMISSION BEARINGS AND COVERS: All Models</u>
11105	O-RING	<u>TRANSMISSION HOUSING, COVER AND OIL PAN: All Models</u> <u>PRIMARY HOUSING: All Models</u>
11132A	O-RING	<u>ROCKER ARM ASSEMBLY AND PUSHRODS: All Models</u> <u>TRANSMISSION BEARINGS AND COVERS: All Models</u>
11145A	O-RING	<u>ROCKER ARM ASSEMBLY AND PUSHRODS: All Models</u>
11150	RETAINING RING	<u>SHIFTER, GEAR: All Models</u>
11293	O-RING	<u>ROCKER ARM ASSEMBLY AND PUSHRODS: All Models</u> <u>CAMSHAFTS AND CAMSHAFT COVER (1 OF 2): All Models</u>
11304	RING	<i>FOOTBOARDS AND FOOTPEGS, PASSENGER:</i> <u>FLHX</u> <u>FLHXS</u> <u>FLTRX</u> <u>FLTRXS</u> <u>FLHRXS</u>
11900103	O-RING	<u>CAMSHAFTS AND CAMSHAFT COVER (1 OF 2): All Models</u>
12052A	SEAL	<u>PRIMARY HOUSING: All Models</u>
12074	SEAL	<u>TRANSMISSION BEARINGS AND COVERS: All Models</u>
17369-06	GASKET SERVICE KIT	<u>PRIMARY HOUSING: All Models</u>
2445	SCREW	<i>WINDSHIELD, FAIRING AND HEADLAMP - FLHT, FLHTK, FLHX, FLHXS AND FLH (1 OF 2):</i> <u>FLHX</u> <u>FLHTK</u> <u>FLHTK SHRINE</u> <u>FLHXS</u> <u>FLHT</u> <u>FLH</u> <i>FAIRING, INNER - FLHT, FLHTK, FLHX, FLHXS AND FLH (1 OF 3):</i> <u>FLHX</u> <u>FLHTK</u> <u>FLHTK SHRINE</u> <u>FLHXS</u> <u>FLHT</u> <u>FLH</u>
2446	SCREW	<u>LICENSE PLATE BRACKETS: All Models</u>
2531	SCREW	<i>FENDERS, FRONT:</i> <u>FLHR</u> <u>FLH</u>
2563	SCREW	<i>INSTRUMENTS - FLHT, FLHTK, FLHX, FLHXS AND FLH:</i> <u>FLHX</u>

PART NO.	DESCRIPTION	PART AND MODEL(S)
		FLHTK FLHTK SHRINE FLHXS FLHT FLH INSTRUMENTS - FLTRK, FLTRX AND FLTRXS: FLTRX FLTRXS FLTRK WINDSHIELD, FAIRING AND HEADLAMP - FLTRK, FLTRX AND FLTRXS (1 OF 2): FLTRX FLTRXS FLTRK FAIRING, INNER - FLHT, FLHTK, FLHX, FLHXS AND FLH (1 OF 3): FLHX FLHXS FLH FAIRING, INNER - FLHT, FLHTK, FLHX, FLHXS AND FLH (1 OF 3): FLHTK FLHTK SHRINE FLHT FAIRING, INNER - FLTRK, FLTRX AND FLTRXS (1 OF 2): FLTRX FLTRXS FLTRK
25700362	GASKET	ROCKER ARM ASSEMBLY AND PUSHRODS: All Models
25700370	GASKET	CAMSHAFTS AND CAMSHAFT COVER (2 OF 2): All Models
25700378	GASKET	PRIMARY HOUSING: All Models
25700425	GASKET	ROCKER ARM ASSEMBLY AND PUSHRODS: All Models
25700455	GASKET	PRIMARY HOUSING: All Models
25700731	GASKET KIT	ROCKER ARM ASSEMBLY AND PUSHRODS: All Models CAMSHAFTS AND CAMSHAFT COVER (2 OF 2): All Models
25700746	GASKET KIT	PRIMARY HOUSING: FLHR FLHTK FLHTK SHRINE FLHX FLTRX FLHT FLH
25700830	GASKET KIT	PRIMARY HOUSING: FLHRXS FLHXS FLTRXS
27300087	SEAL	INDUCTION MODULE, FUEL: All Models
27444-00Y	O-RING	STARTER MOTOR: All Models
2952A	SCREW	SEATS: All Models

PART NO.	DESCRIPTION	PART AND MODEL(S)
2995	SCREW	<i>FENDERS, REAR:</i> FLHX FLHXS FLTRX FLTRXS FLHRXS
3050	SCREW	ALTERNATOR AND REGULATOR: All Models
3275	SCREW	INDUCTION MODULE, FUEL: All Models SENSORS AND SWITCHES, ENGINE: All Models
34091-08	BEARING	TRANSMISSION GEARS: All Models
35654-06	GASKET	TRANSMISSION BEARINGS AND COVERS: All Models
3655A	SCREW	<i>WHEELS, FRONT (2 OF 2):</i> FLH <i>FAIRING, LOWERS, TWIN-COOLED™ - FLHTK, FLTRK:</i> FLHTK FLHTK SHRINE FLTRK
3656	SCREW	SADDLEBAGS (1 OF 2): All Models
36805-06	GASKET	TRANSMISSION BEARINGS AND COVERS: All Models
4132	SCREW	CLUTCH CONTROL: All Models BRAKE CONTROL, FRONT: All Models
41751-06A	GASKET	BRAKE CONTROL, FRONT: All Models BRAKE LINES, FRONT - ABS: All Models BRAKE CONTROL, REAR: All Models BRAKE LINES AND MODULE, REAR - ABS: All Models
43567-92	SCREW	WHEELS, REAR (1 OF 2): All Models
4740A	SCREW	CAMSHAFTS AND CAMSHAFT COVER (1 OF 2): All Models
5210	WELL NUT	<i>NACELLE AND HEADLAMP - FLHR AND FLHRXS (1 OF 2):</i> FLHR FLHRXS <i>LAMPS AND SPEAKER HOUSINGS, ULTRA TOUR-PAK (1 OF 2):</i> FLHTK FLHTK SHRINE FLTRK
59768-97	SEAT NUT KIT	SEATS: All Models
6054	WASHER	<i>WINDSHIELD, FAIRING AND HEADLAMP - FLTRK, FLTRX AND FLTRXS (1 OF 2):</i> FLTRX FLTRXS FLTRK <i>LOOSE PARTS (2 OF 3):</i> FLTRX FLTRXS
60678-85	RETAINING RING	PRIMARY HOUSING: All Models

PART NO.	DESCRIPTION	PART AND MODEL(S)
65324-83B	GASKET	<u>EXHAUST SYSTEM (1 OF 2): All Models</u>
65325-83A	RETAINING RING	<u>EXHAUST SYSTEM (1 OF 2): All Models</u>
6702	WASHER	<u>SHIFTER, GEAR: All Models</u> SEAT- FLH: <u>FLH</u>
7041	LOCKWASHER	AUXILIARY/FOG LAMPS AND TURN SIGNALS, FRONT - FLHTK AND FLH (1 OF 2): <u>FLHTK</u> <u>FLHTK SHRINE</u> <u>FLH</u> <u>EXHAUST SYSTEM (1 OF 2): All Models</u>
7586	JAMNUT	TOUR-PAK (BOTTOM): <u>FLHTK</u> <u>FLHTK SHRINE</u> <u>FLTRK</u> <u>SADDLEBAGS (1 OF 2): All Models</u>
7593	NUT	<u>EXHAUST SYSTEM (1 OF 2): All Models</u>
7600	NUT	FENDERS, FRONT: <u>FLHR</u> <u>FLH</u>
7716	LOCKNUT	RADIATOR, COOLANT HOSES AND BOTTLE - TWIN-COOLED™: <u>FLHTK</u> <u>FLHTK SHRINE</u> <u>FLTRK</u> <u>FOOTBOARDS, OPERATOR: All Models</u> FENDERS, FRONT: <u>FLH</u> FAIRING, LOWERS, TWIN-COOLED™ - FLHTK, FLTRK: <u>FLHTK</u> <u>FLHTK SHRINE</u> <u>FLTRK</u> TOUR-PAK (BOTTOM): <u>FLHTK</u> <u>FLHTK SHRINE</u> <u>FLTRK</u>
786A	BOLT	<u>PRIMARY HOUSING: All Models</u>
856A	SCREW	<u>SHIFTER, GEAR: All Models</u>
933	SCREW	WINDSHIELD, FAIRING AND HEADLAMP - FLTRK, FLTRX AND FLTRXS (1 OF 2): <u>FLTRX</u> <u>FLTRXS</u> <u>FLTRK</u> LOOSE PARTS (2 OF 3): <u>FLTRX</u> <u>FLTRXS</u>
9955	CLAMP	<u>EXHAUST SYSTEM (1 OF 2): All Models</u>

BRAKING & SUSPENSION

View interactive table

PART NO.	DESCRIPTION	PART AND MODEL(S)
41852-08B	PAD AND PIN KIT	BRAKE CALIPER, REAR: All Models
41854-08	PAD AND PIN KIT	BRAKE CALIPER, FRONT: All Models
46514-01A	OIL SEAL	FORK, FRONT: All Models
46615-06	PACKING SEAL	FORK, FRONT: All Models

CHASSIS & COMPONENTS

View interactive table

PART NO.	DESCRIPTION	PART AND MODEL(S)
49725-07A	SPRING	<i>FRAME AND JIFFY STAND - FLHRXS, FLHXS, FLTRXS:</i> FLHRXS FLHXS FLTRXS <i>FRAME AND JIFFY STAND - FLHR, FLHT, FLHTK, FLHX, FLH, FLTRK, FLTRX (1 OF 2):</i> FLHR FLHT FLHTK FLHTK SHRINE FLHX FLTRX FLTRK FLH
50245-07	BUMPER	<i>FRAME AND JIFFY STAND - FLHRXS, FLHXS, FLTRXS:</i> FLHRXS FLHXS FLTRXS <i>FRAME AND JIFFY STAND - FLHR, FLHT, FLHTK, FLHX, FLH, FLTRK, FLTRX (2 OF 2):</i> FLHR FLHT FLHTK FLHTK SHRINE FLHX FLTRX FLTRK FLH

DECORATIVE & TRIM

View interactive table

PART NO.	DESCRIPTION	PART AND MODEL(S)
61274-92	FUEL FILLER CAP	<i>CONSOLE, FUEL TANK - FLHT, FLHTK, FLHX, FLH, FLTRK AND FLTRX (1 OF 2):</i> FLHT FLHTK FLHTK SHRINE

PART NO.	DESCRIPTION	PART AND MODEL(S)
----------	-------------	-------------------

[FLHX](#)
[FLTRX](#)
[FLTRK](#)
[FLH](#)

ELECTRICAL

[View interactive table](#)

PART NO.	DESCRIPTION	PART AND MODEL(S)
70345-84	RETAINER	<i>HANDLEBAR:</i> FLHR
72023-51E	KIT SWITCH	BRAKE CONTROL, REAR: All Models SWITCHES (1 OF 2): All Models
72330-95	FUSE	<i>WIRING HARNESS, MAIN - FLHT, FLHX, FLHXS AND FLH (9 OF 10):</i> FLHT FLHX FLHXS FLH <i>WIRING HARNESS, MAIN - FLHTK (9 OF 10):</i> FLHTK FLHTK SHRINE <i>WIRING HARNESS, MAIN - FLHR, FLHRXS (9 OF 10):</i> FLHR FLHRXS <i>WIRING HARNESS, MAIN - FLTRX, FLTRXS (9 OF 10):</i> FLTRX FLTRXS <i>WIRING HARNESS, MAIN - FLTRK (9 OF 10):</i> FLTRK

ENGINE, TRANSMISSION & PRIMARY

[View interactive table](#)

PART NO.	DESCRIPTION	PART AND MODEL(S)
18538-99C	HYDRAULIC LIFTER	ROCKER ARM ASSEMBLY AND PUSHRODS: All Models
29400183	BREATHER ASSEMBLY	ROCKER ARM ASSEMBLY AND PUSHRODS: All Models
29400210	BREATHER ASSEMBLY	ROCKER ARM ASSEMBLY AND PUSHRODS: All Models
33600091	SHAFT	SHIFTER, GEAR: All Models
37000258	CLUTCH DISKS KIT	CLUTCH: All Models
37909-90	RING	CLUTCH: All Models

FOOT CONTROLS

[View interactive table](#)

PART NO.**DESCRIPTION****PART AND MODEL(S)**

34611-65A

TOE SHIFTER PEG KIT

[SHIFTER, GEAR: All Models](#)

INTAKE, EXHAUST & FUEL MGMT

[View interactive table](#)**PART NO.****DESCRIPTION****PART AND MODEL(S)**

61011-04A

FUEL FILTER KIT

FUEL PUMP - FLHT, FLHTK, FLHX, FLH, FLTRK AND FLTRX:

[FLHX](#)[FLHTK](#)[FLHTK SHRINE](#)[FLTRX](#)[FLHT](#)[FLTRK](#)[FLH](#)

FUEL PUMP - FLHR, FLHRXS, FLHXS AND FLTRXS:

[FLHR](#)[FLHRXS](#)[FLHXS](#)[FLTRXS](#)

65900015

CLAMP

[EXHAUST SYSTEM \(2 OF 2\): All Models](#)

LIGHTING

[View interactive table](#)**PART NO.****DESCRIPTION****PART AND MODEL(S)**

68000056

BULB

AUXILIARY/FOG LAMPS AND TURN SIGNALS, FRONT - FLHR:

[FLHR](#)

AUXILIARY/FOG LAMPS AND TURN SIGNALS, FRONT - FLHTK AND FLH

(2 OF 2):

[FLH](#)

68168-89A

BULB

AUXILIARY/FOG LAMPS AND TURN SIGNALS, FRONT - FLHR:

[FLHR](#)

AUXILIARY/FOG LAMPS AND TURN SIGNALS, FRONT - FLHTK AND FLH

(1 OF 2):

[FLHTK](#)[FLHTK SHRINE](#)[FLH](#)

TURN SIGNALS, FRONT - FLHT, FLHX AND FLHXS:

[FLHX](#)[FLHXS](#)[FLHT](#)

WINDSHIELD, FAIRING AND HEADLAMP - FLTRK, FLTRX AND FLTRXS (1

OF 2):

[FLTRX](#)[FLTRK](#)

TAIL LAMP AND TURN SIGNALS, REAR - FLHRXS, FLHX, FLHXS, FLTRX,

FLTRXS:

[FLHX](#)[FLHXS](#)[FLTRX](#)[FLTRXS](#)

PART NO.	DESCRIPTION	PART AND MODEL(S)
68572-64B	BULB	<p>FLHRXS</p> <p>TAIL LAMP AND TURN SIGNALS, REAR - FLHT AND FLH:</p> <p>FLHT</p> <p>FLH</p> <p>TAIL LAMP AND TURN SIGNALS, REAR - FLHRXS, FLHX, FLHXS, FLTRX, FLTRXS:</p> <p>FLHX</p> <p>FLHXS</p> <p>FLTRX</p> <p>FLTRXS</p> <p>FLHRXS</p> <p>TAIL LAMP AND TURN SIGNALS, REAR - FLHR:</p> <p>FLHR</p>
68973-00	LENS	<p>AUXILIARY/FOG LAMPS AND TURN SIGNALS, FRONT - FLHTK AND FLH (2 OF 2):</p> <p>FLHTK</p> <p>FLHTK SHRINE</p> <p>FLH</p> <p>TURN SIGNALS, FRONT - FLHT, FLHX AND FLHXS:</p> <p>FLHX</p> <p>FLHXS</p> <p>FLHT</p> <p>TURN SIGNALS, FRONT - FLHT, FLHX AND FLHXS:</p> <p>FLHXS</p> <p>TURN SIGNALS, FRONT - FLHRXS:</p> <p>FLHRXS</p> <p>WINDSHIELD, FAIRING AND HEADLAMP - FLTRK, FLTRX AND FLTRXS (1 OF 2):</p> <p>FLTRX</p> <p>FLTRK</p> <p>WINDSHIELD, FAIRING AND HEADLAMP - FLTRK, FLTRX AND FLTRXS (1 OF 2):</p> <p>FLTRXS</p> <p>FLTRK</p> <p>TAIL LAMP AND TURN SIGNALS, REAR - FLHT AND FLH:</p> <p>FLHT</p> <p>FLH</p> <p>TAIL LAMP AND TURN SIGNALS, REAR - FLHRXS, FLHX, FLHXS, FLTRX, FLTRXS:</p> <p>FLHX</p> <p>FLHXS</p> <p>FLTRX</p> <p>FLTRXS</p> <p>FLHRXS</p> <p>TAIL LAMP AND TURN SIGNALS, REAR - FLHTK, FLTRK (HD):</p> <p>FLHTK</p> <p>FLTRK</p>

MAINTENANCE & TOOLS

View interactive table

PART NO.	DESCRIPTION	PART AND MODEL(S)
66373-06	BATTERY	SWITCHES (1 OF 2): All Models

SECURITY & STORAGE

[View interactive table](#)

PART NO.	DESCRIPTION	PART AND MODEL(S)
90300111	REMOTE CONTROL FOB	SWITCHES (2 OF 2): All Models LOOSE PARTS (1 OF 3): All Models

TIRES

[View interactive table](#)

PART NO.	DESCRIPTION	PART AND MODEL(S)
40558-82	INNER TUBE	WHEELS, FRONT (2 OF 2): FLH
40999-87	VALVE STEM	WHEELS, FRONT (1 OF 2): All Models WHEELS, REAR (1 OF 2): All Models
43109-09A	TIRE	WHEELS, FRONT (1 OF 2): FLHT
43118-92A	TIRE	WHEELS, FRONT (1 OF 2): FLH
43147-40	RIM FLAP	WHEELS, FRONT (2 OF 2): FLH
43200027	TIRE	WHEELS, REAR (2 OF 2): FLHT
44026-09A	TIRE	WHEELS, FRONT (1 OF 2): FLHR FLHTK FLHTK SHRINE FLTRK

WINDSHIELDS & AIR DEFLECTORS

[View interactive table](#)

PART NO.	DESCRIPTION	PART AND MODEL(S)
67621-94	BUSHING	AUXILIARY/FOG LAMPS AND TURN SIGNALS, FRONT - FLHR: FLHR WINDSHIELD - FLHR: FLHR