

XL 1200S MAIN HARNESS
P/N 70139-99

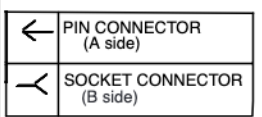
IGNITION SWITCH LEGEND

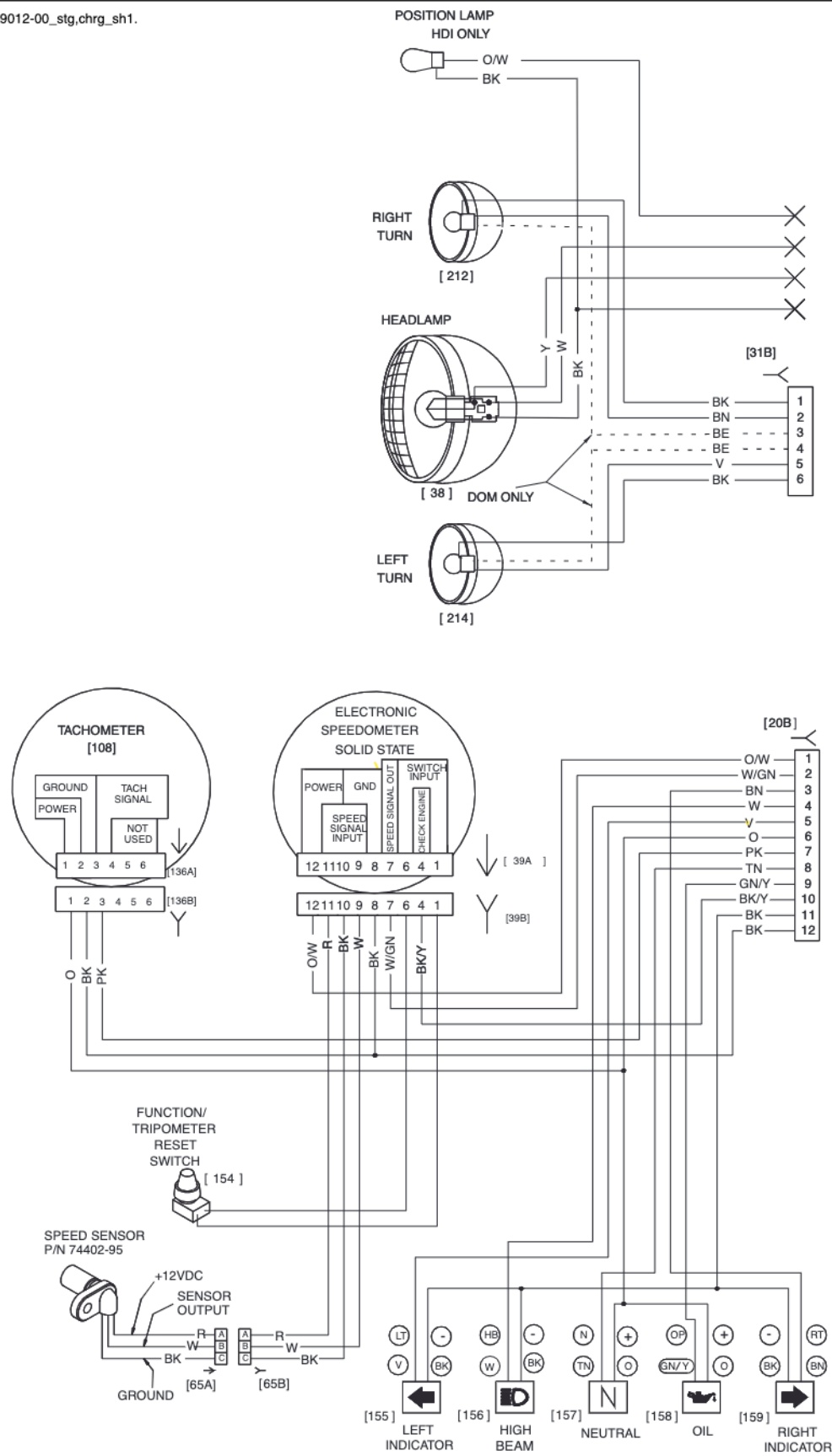
SWITCH POSITION	RED/BLACK	RED	RED/GRAY
OFF		•	
ACC.	•		
IGNITION	•	•	

DOT INDICATES CONTINUITY WITH RED WIRE IN SWITCH POSITION INDICATED

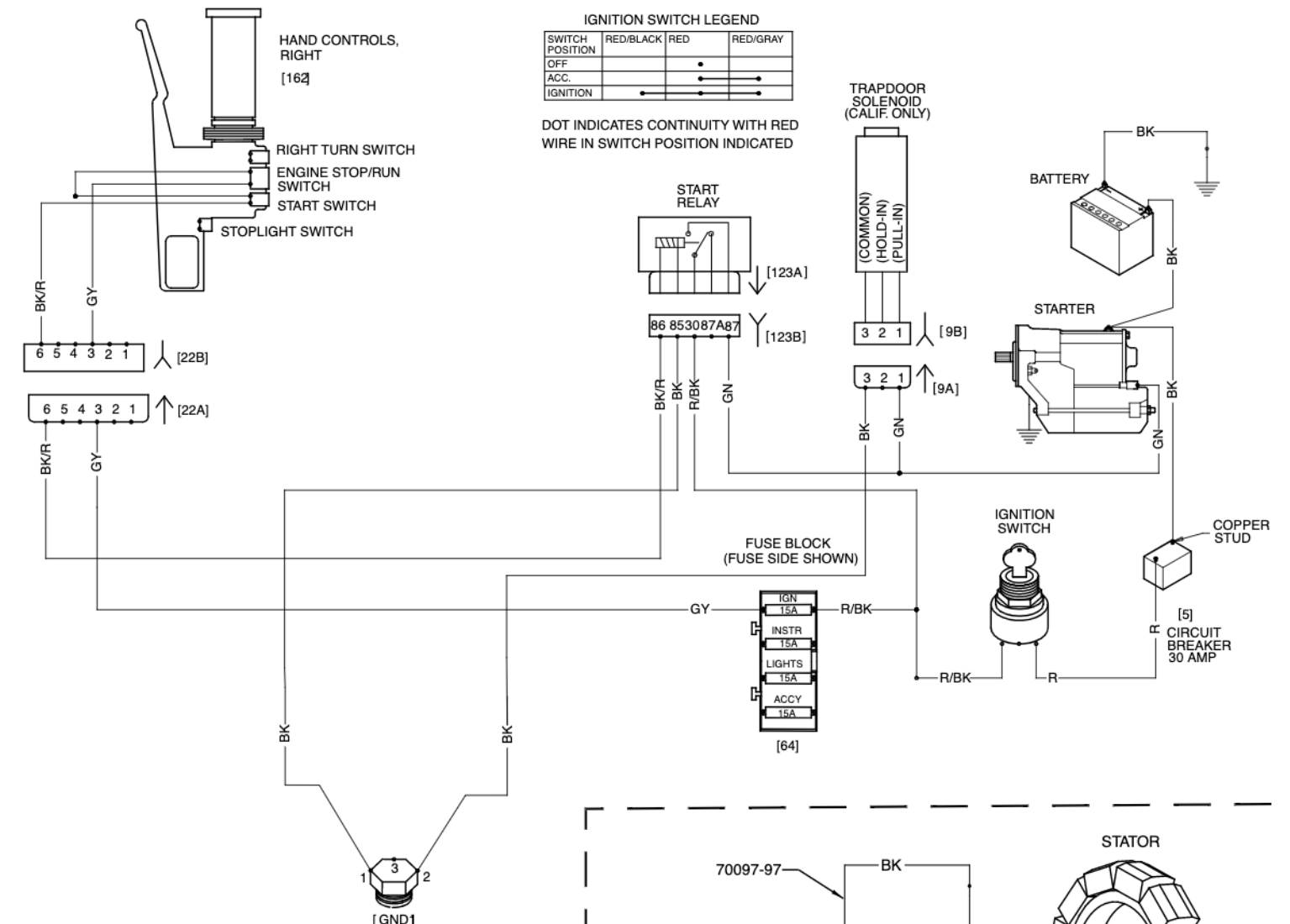
Wire Color Code Key

BK - Black	GN - Green	LT.GN - Light Green
BN - Brown	BE - Blue	PK - Pink
R - Red	V - Violet	TN - Tan
O - Orange	GY - Gray	Wire color-XX/XX-Stripe color
Y - Yellow	W - White	



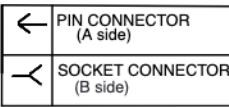


XL 1200S FRONT LAMPS AND INSTRUMENTS FROM SHEET 1

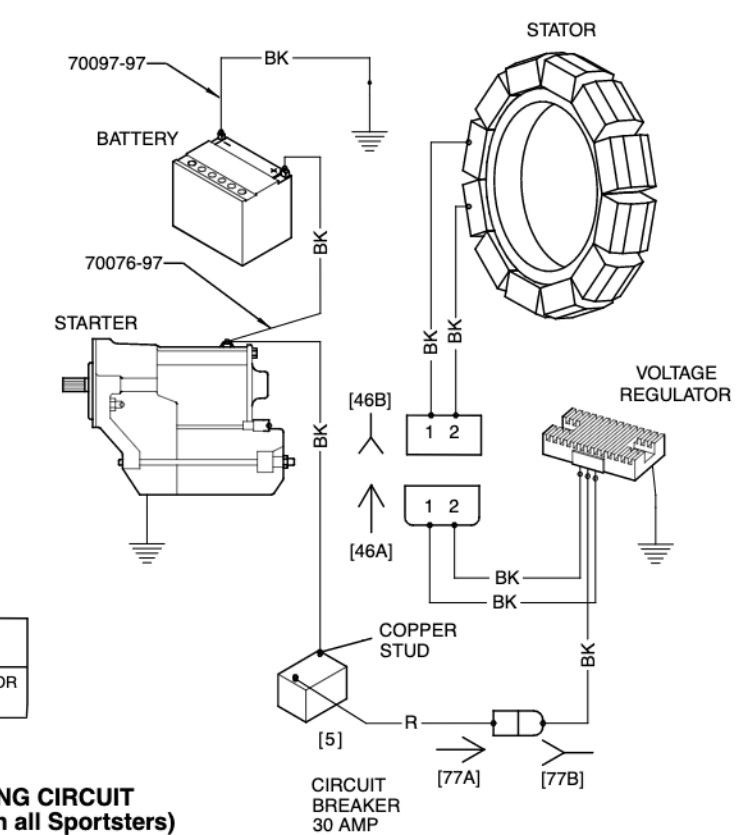


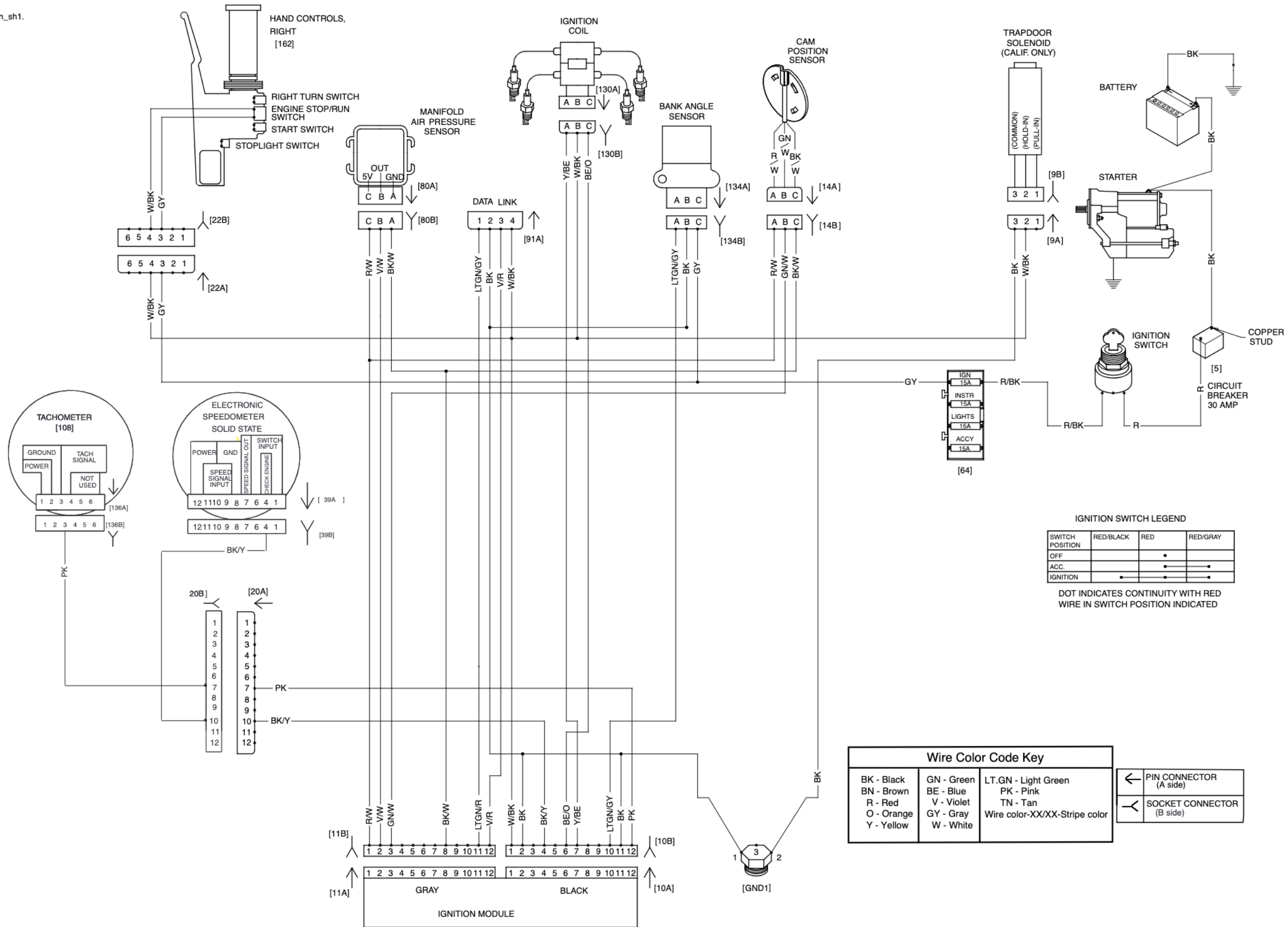
STARTING CIRCUIT (Same on all Sportsters)

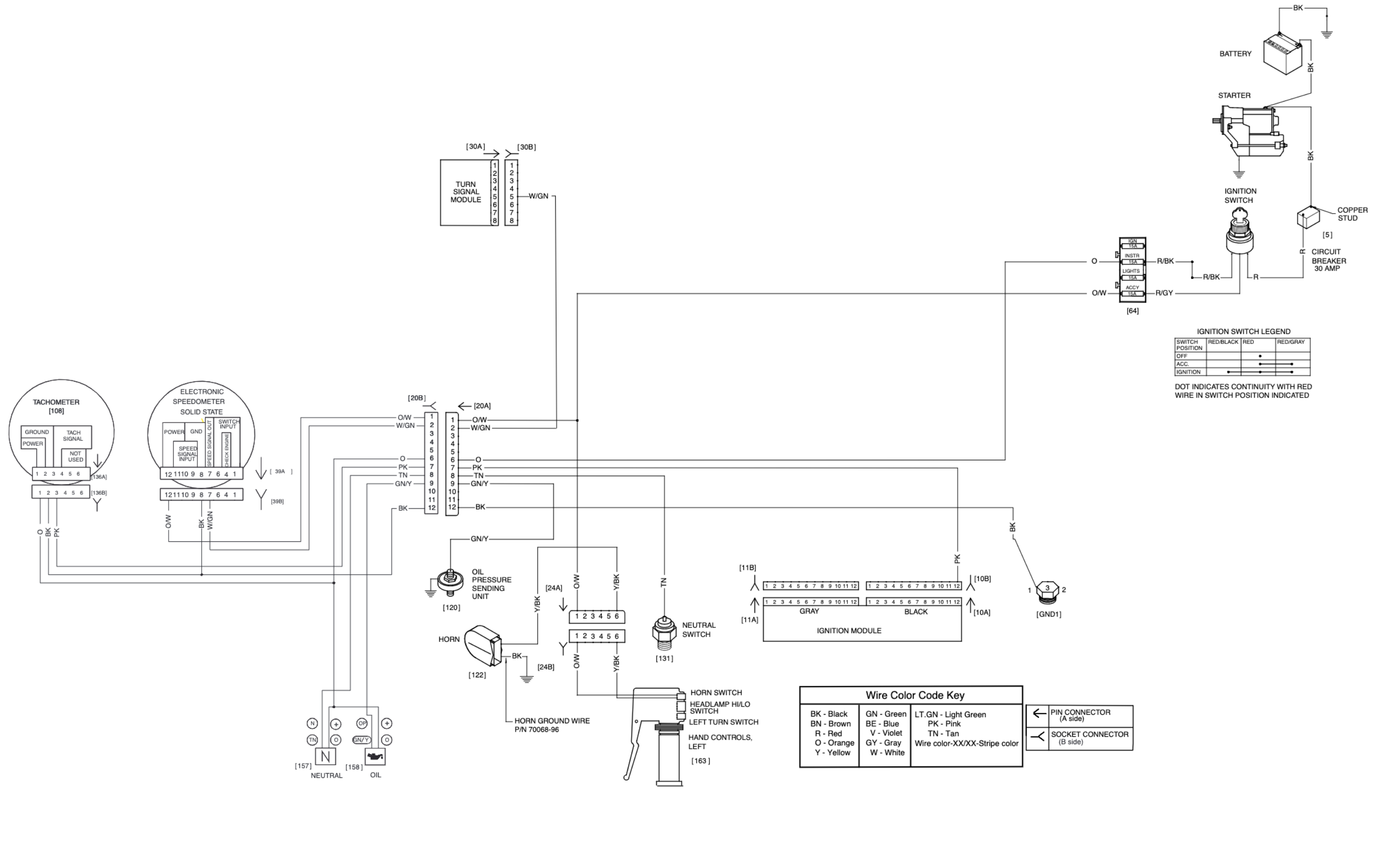
Wire Color Code Key		
BK - Black	GN - Green	LT.GN - Light Green
BN - Brown	BE - Blue	PK - Pink
R - Red	V - Violet	TN - Tan
O - Orange	GY - Gray	Wire color-XX/XX-Stripe color
Y - Yellow	W - White	

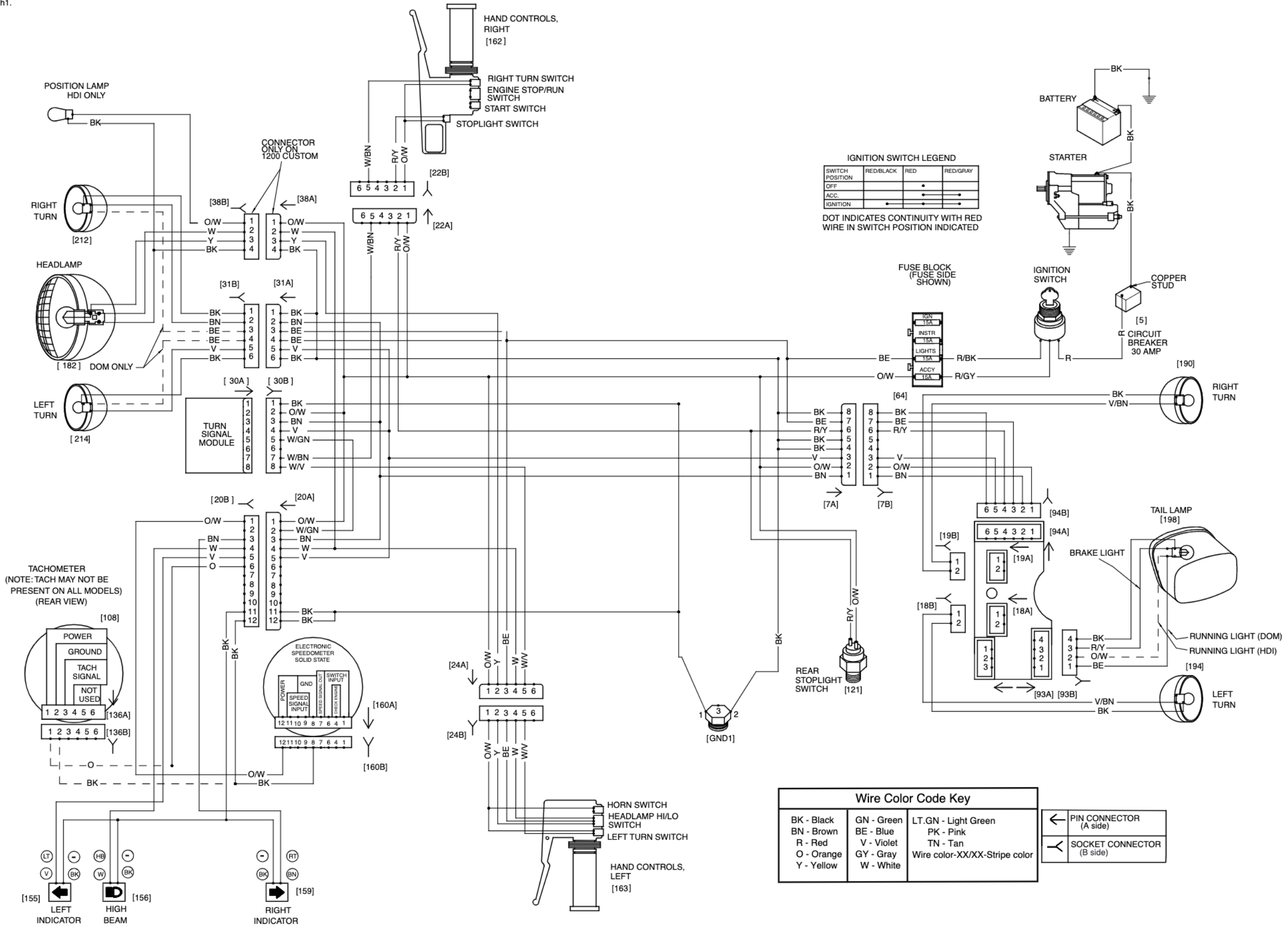


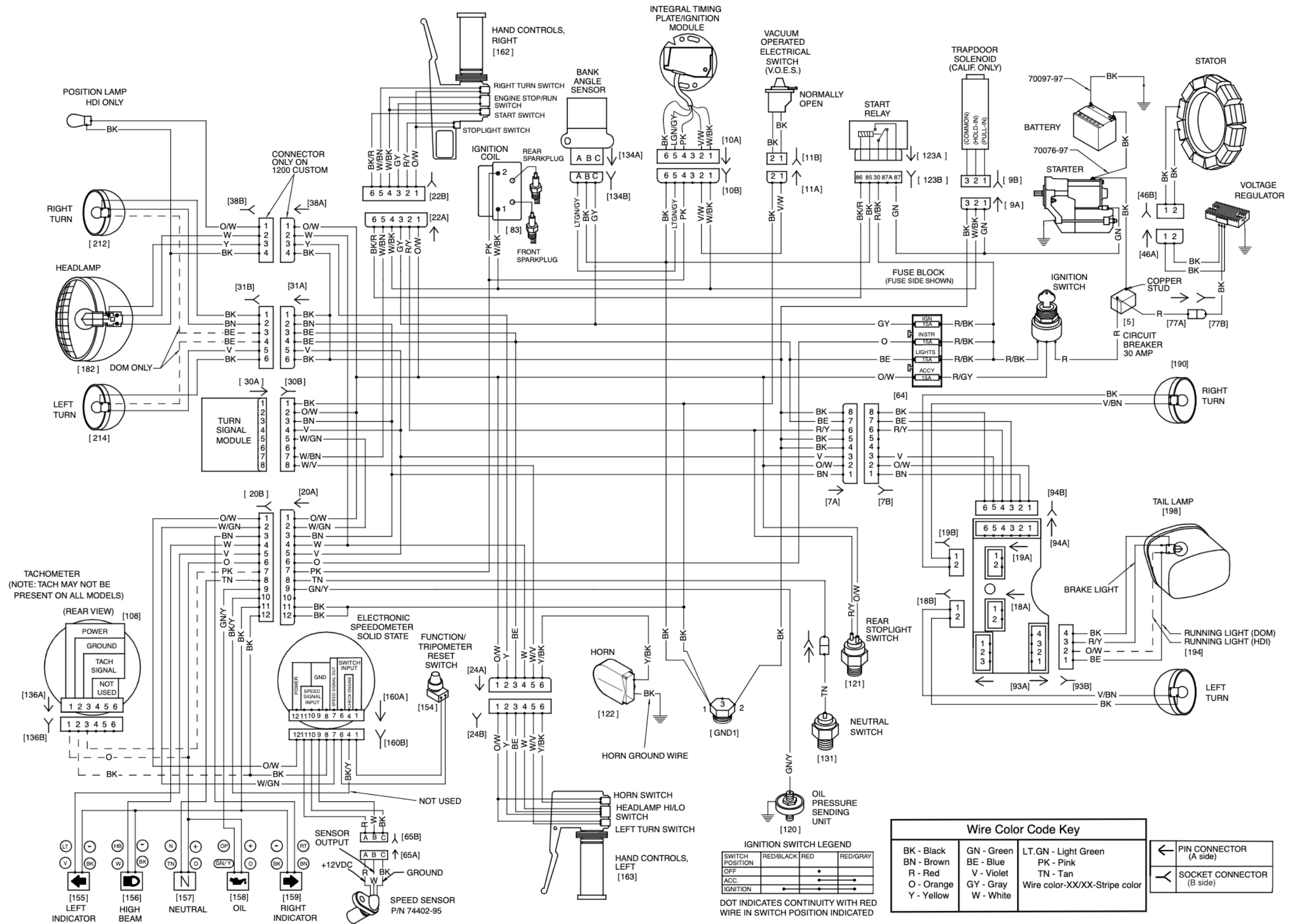
CHARGING CIRCUIT (Same on all Sportsters)



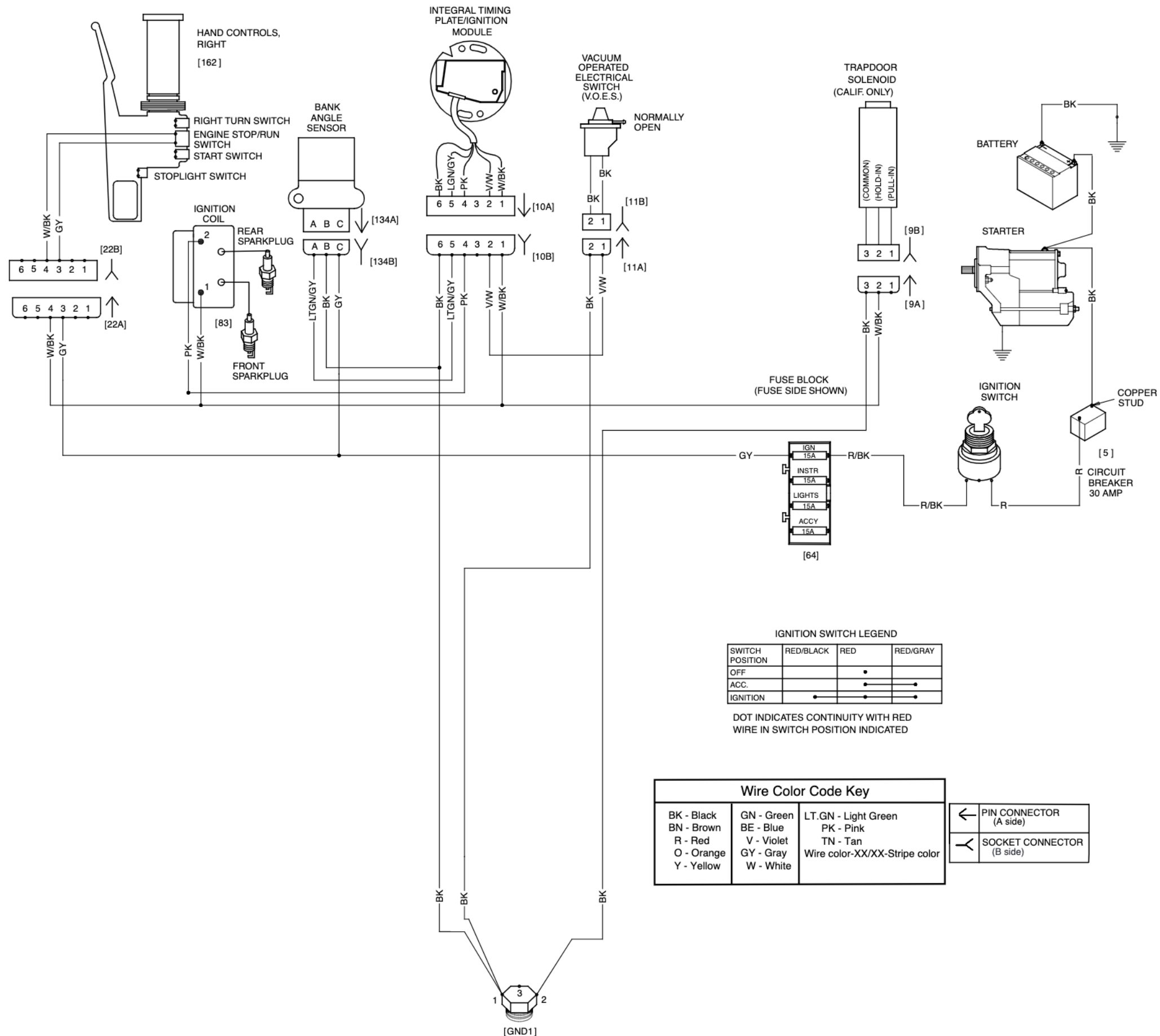


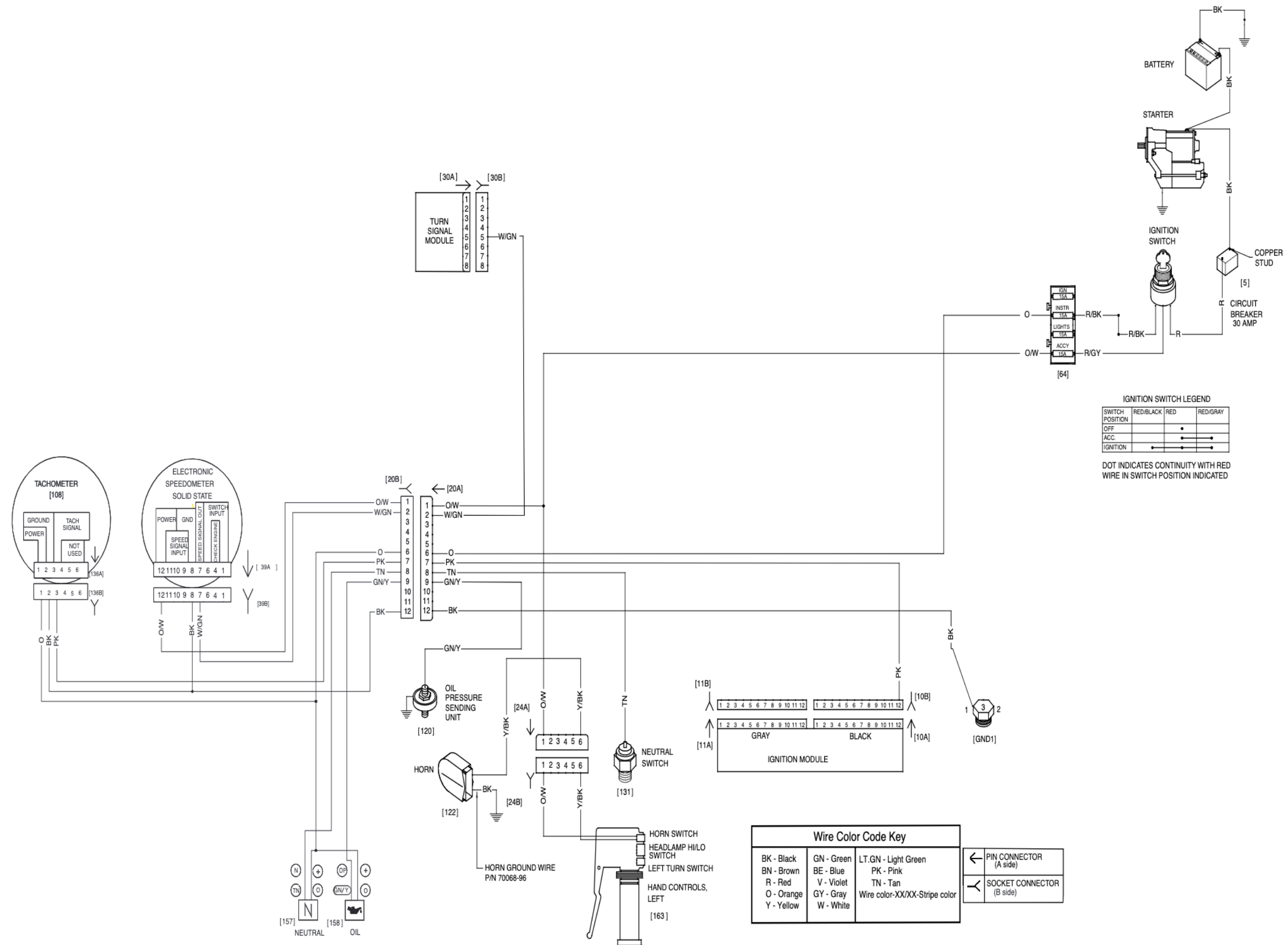


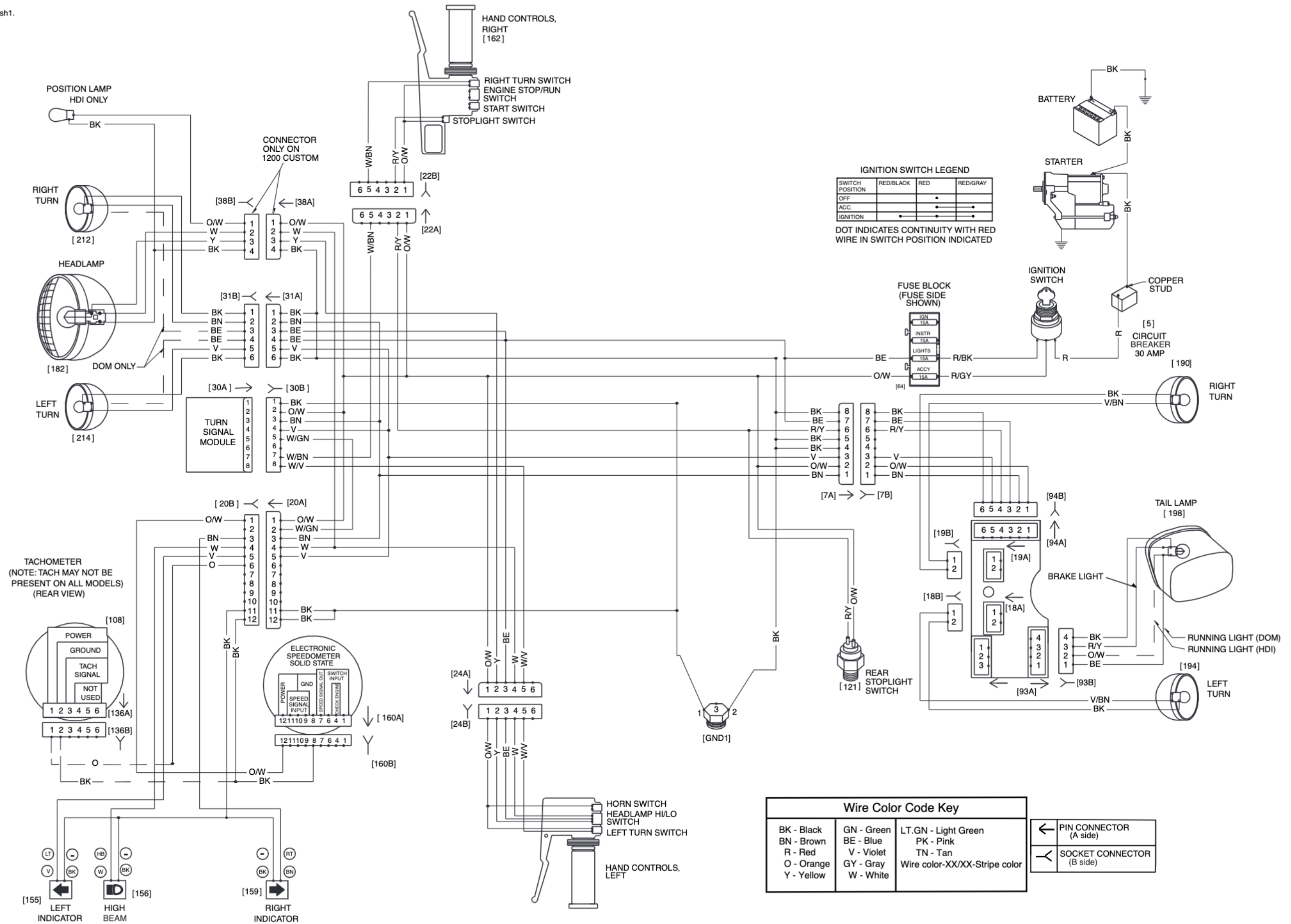




2003 ALL XL DOMESTIC and INTERNATIONAL MODELS, EXCEPT XL 1200S, MAIN HARNESS, SHEET 1 OF 4



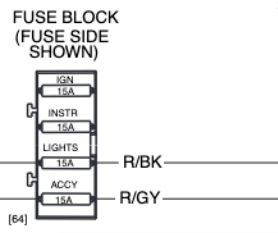




IGNITION SWITCH LEGEND

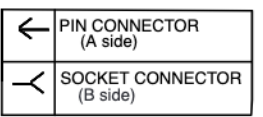
SWITCH POSITION	RED/BLACK	RED	RED/GRAY
OFF		•	
ACC.		•	•
IGNITION	•	•	•

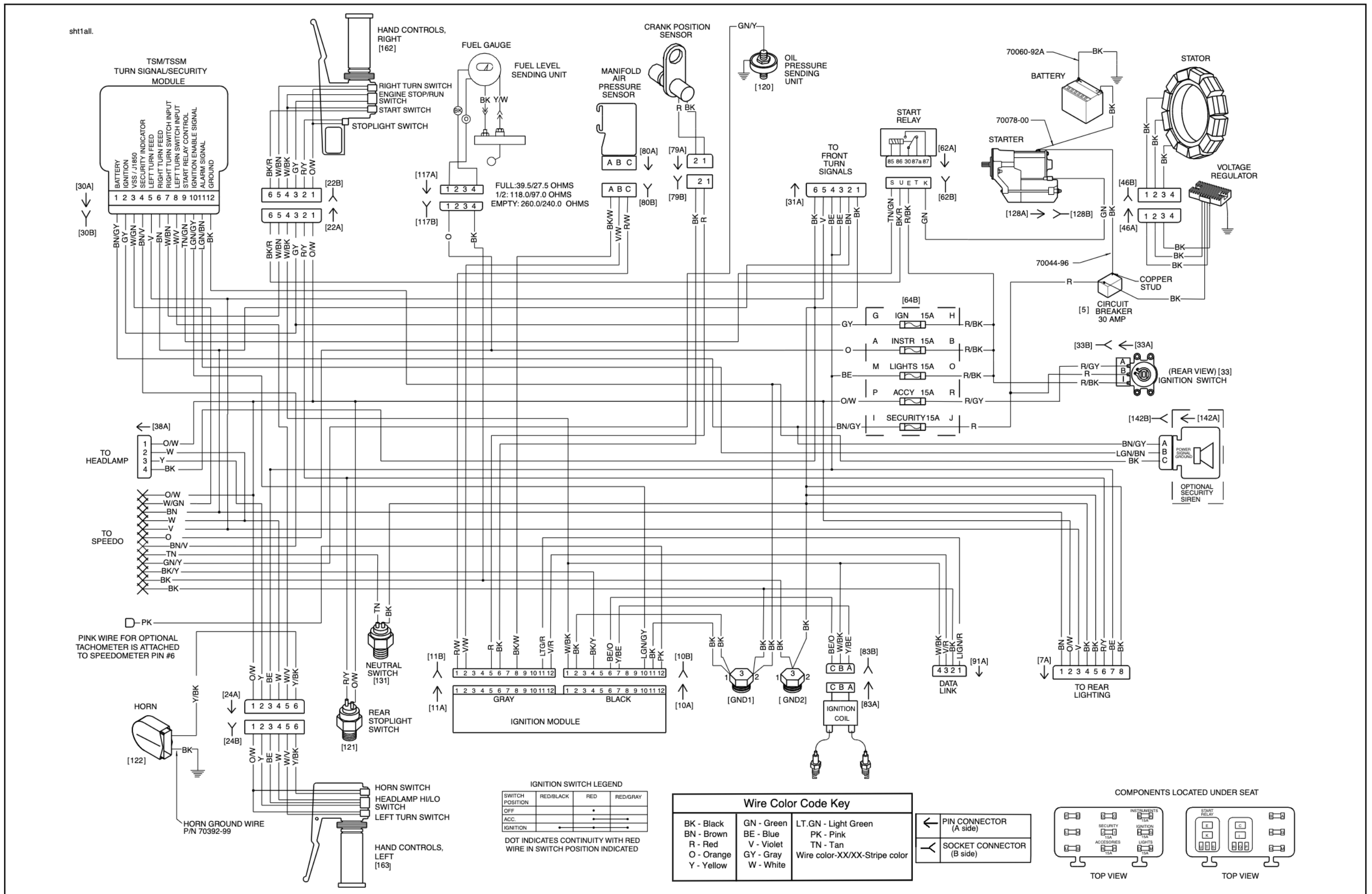
DOT INDICATES CONTINUITY WITH RED WIRE IN SWITCH POSITION INDICATED

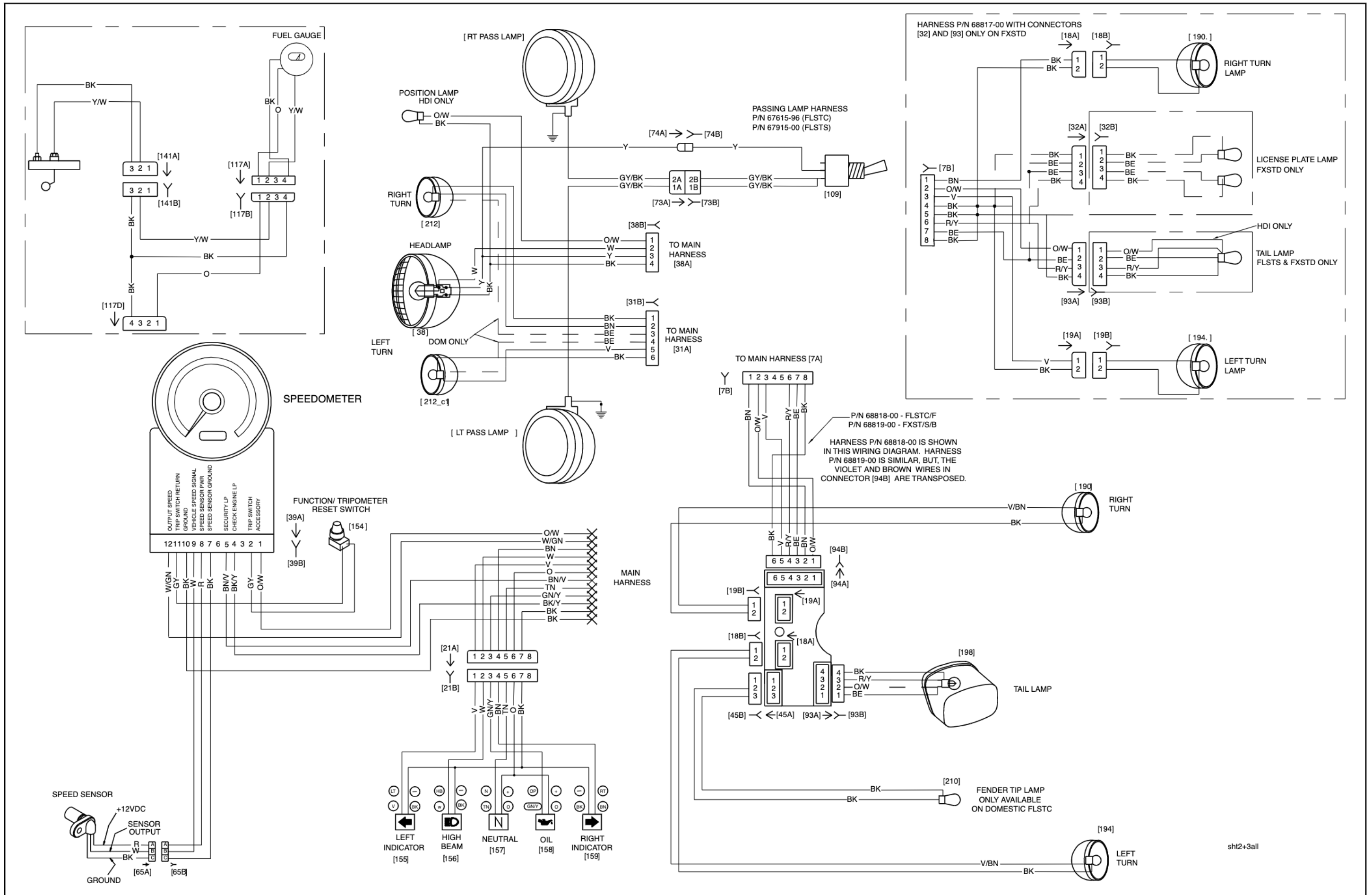


Wire Color Code Key

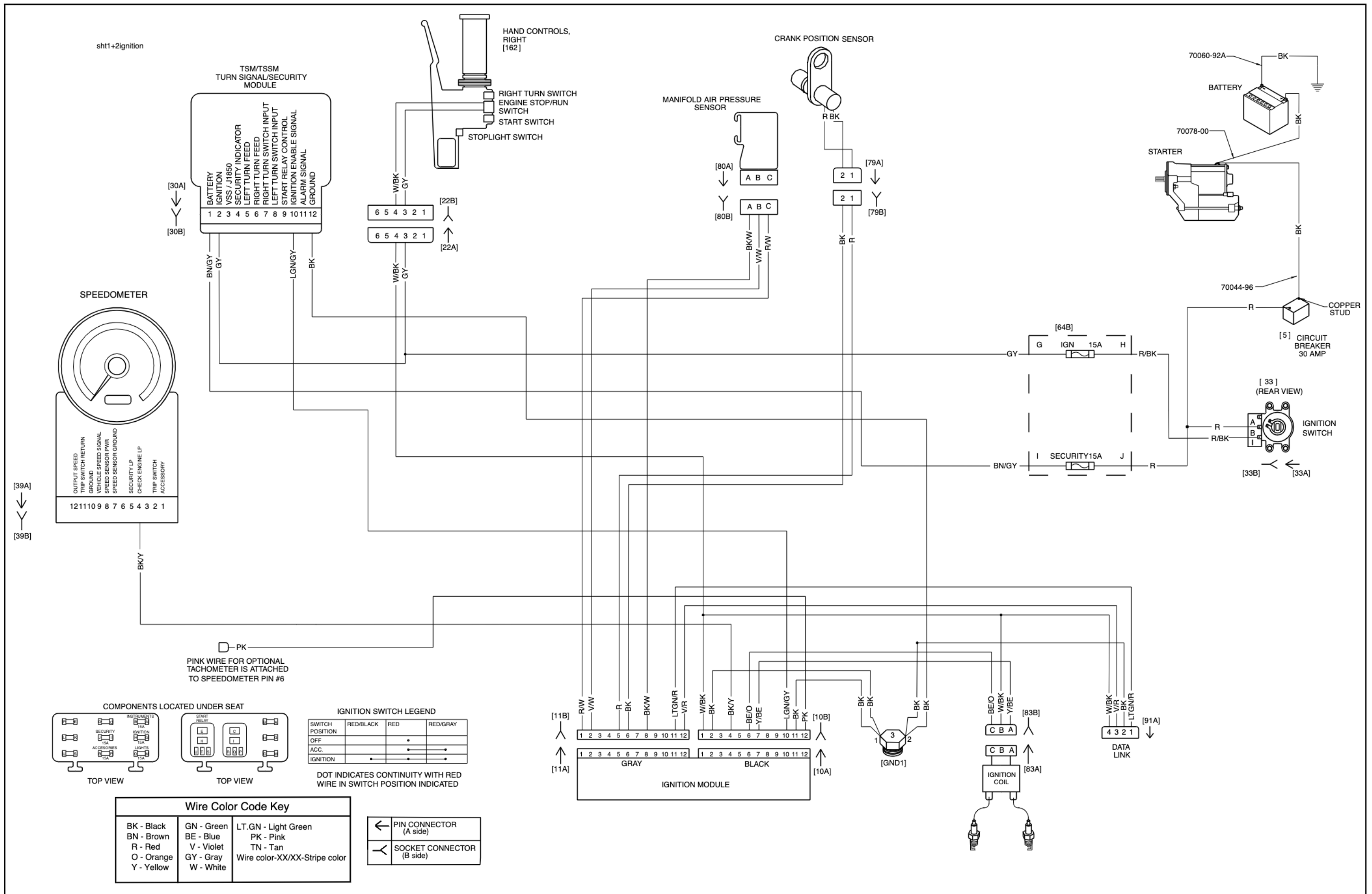
BK - Black	GN - Green	LT.GN - Light Green
BN - Brown	BE - Blue	PK - Pink
R - Red	V - Violet	TN - Tan
O - Orange	GY - Gray	Wire color-XX/XX-Stripe color
Y - Yellow	W - White	

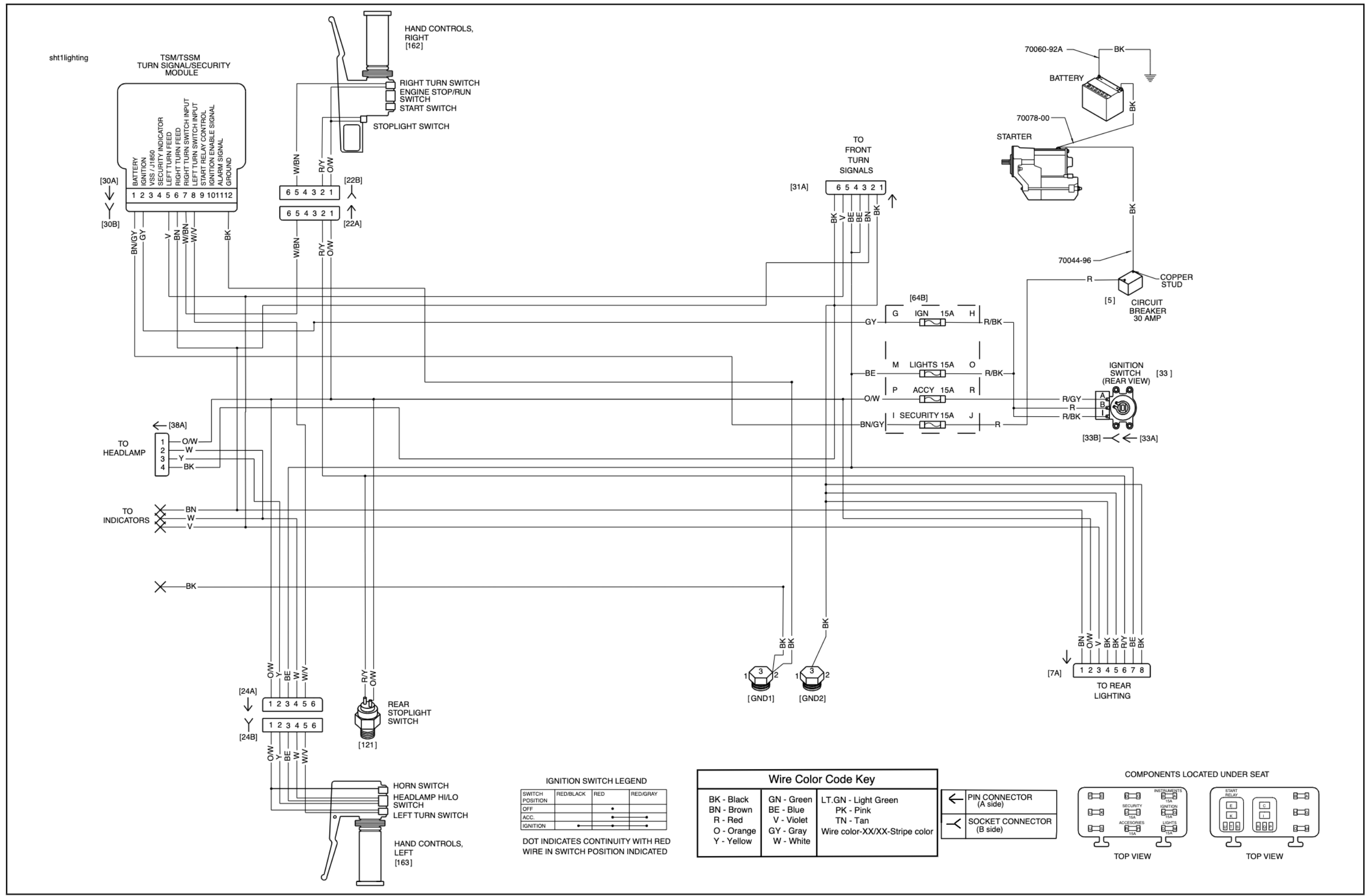


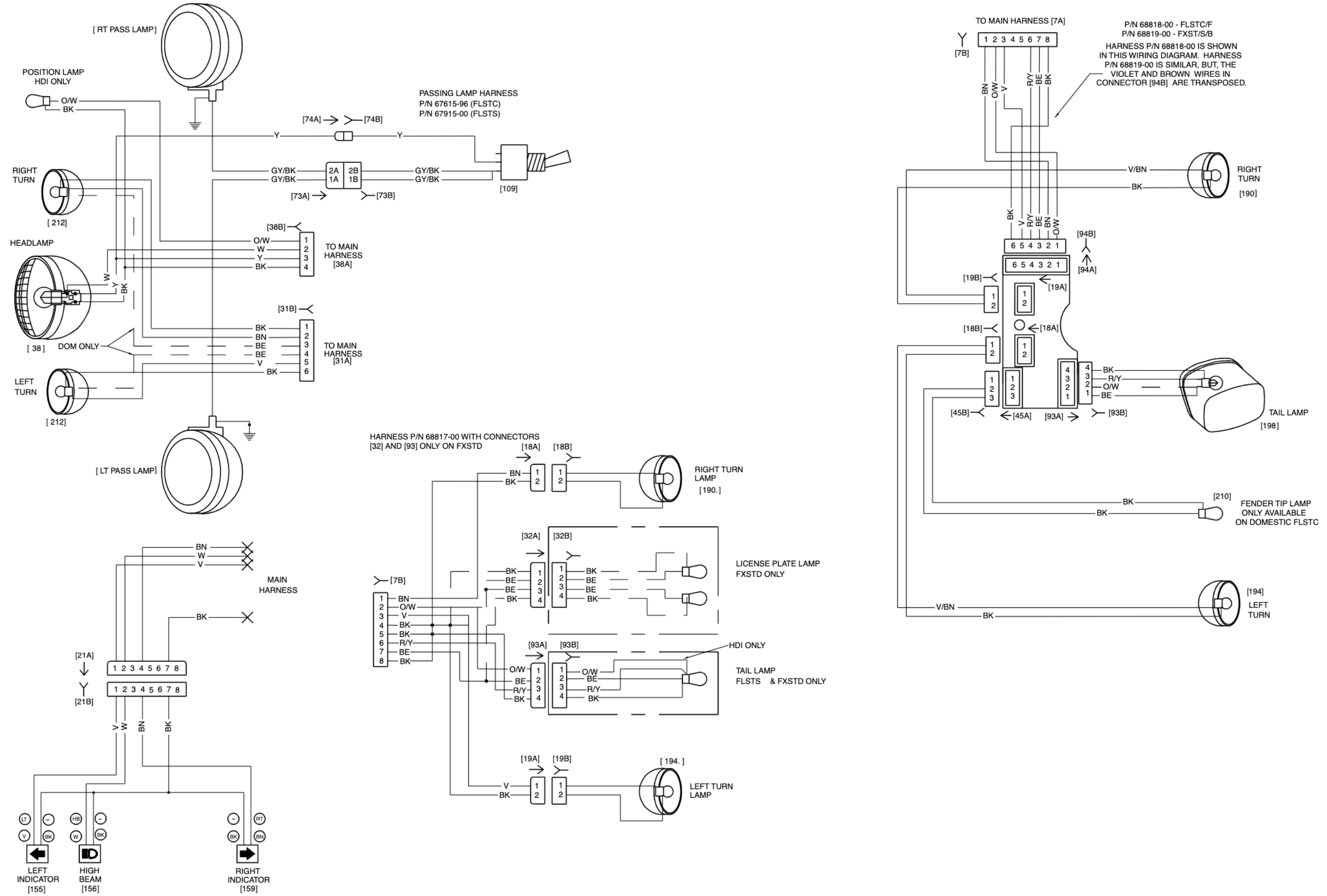




2003 ALL CARBURETED SOFTAIL DOM. and INT. MODELS, LIGHTS, SPEEDO. & INDICATORS, SHEET 2 OF 9

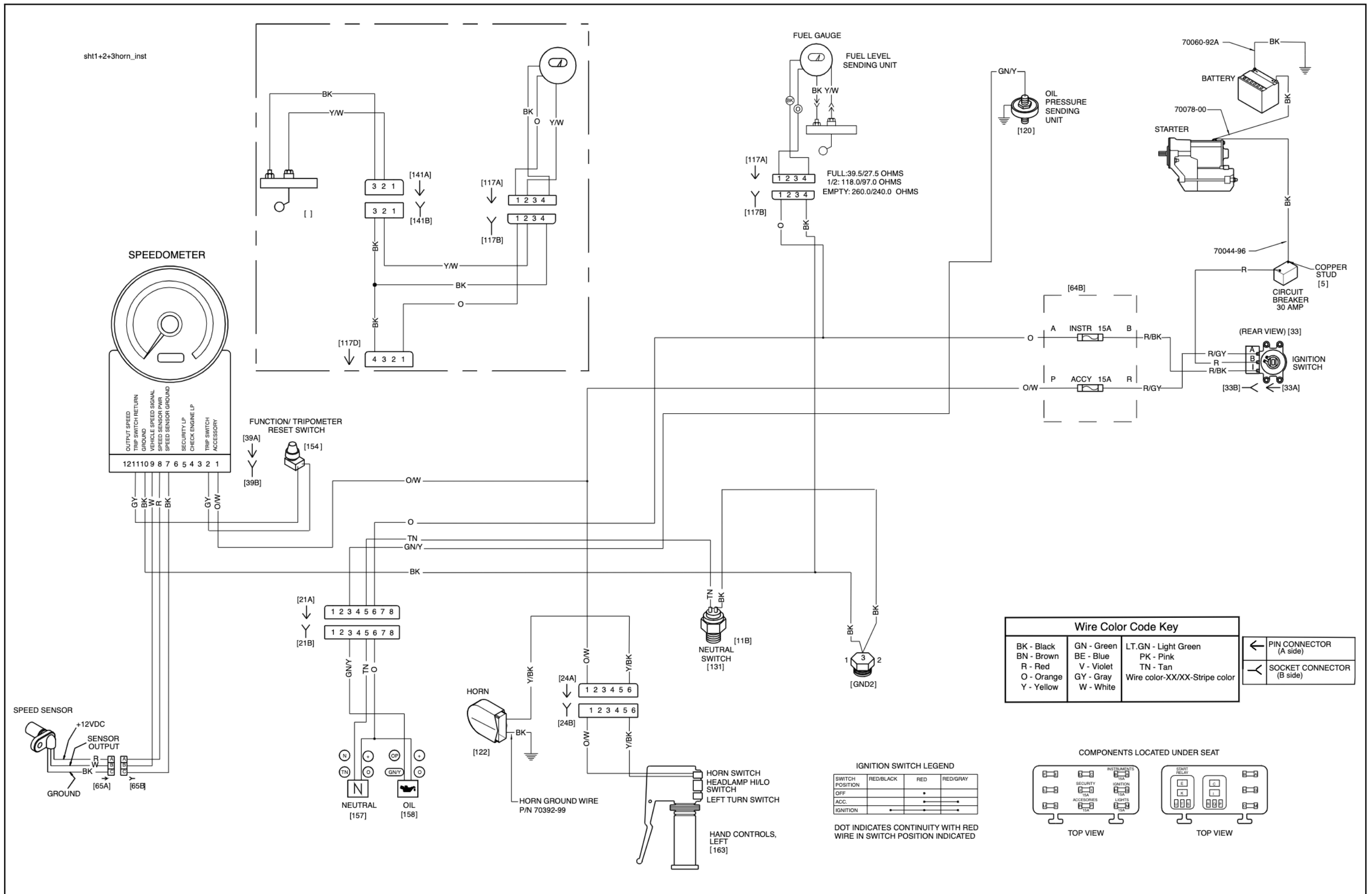






P/N 68818-00 - FLSTC/F
P/N 68819-00 - FXST/S/B
HARNESS P/N 68818-00 IS SHOWN
IN THIS WIRING DIAGRAM. HARNESS
P/N 68819-00 IS SIMILAR, BUT THE
VIOLET AND BROWN WIRES IN
CONNECTOR [94B] ARE TRANSPOSED.

2003 ALL CARBURETED SOFTAIL DOM. and INT. MODELS, LIGHTING CIRCUIT, SHEET 5 OF 9

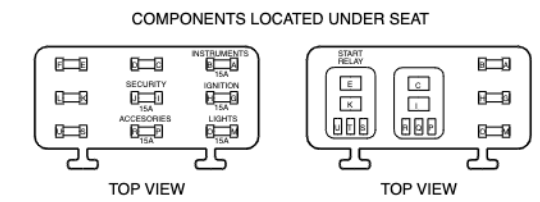


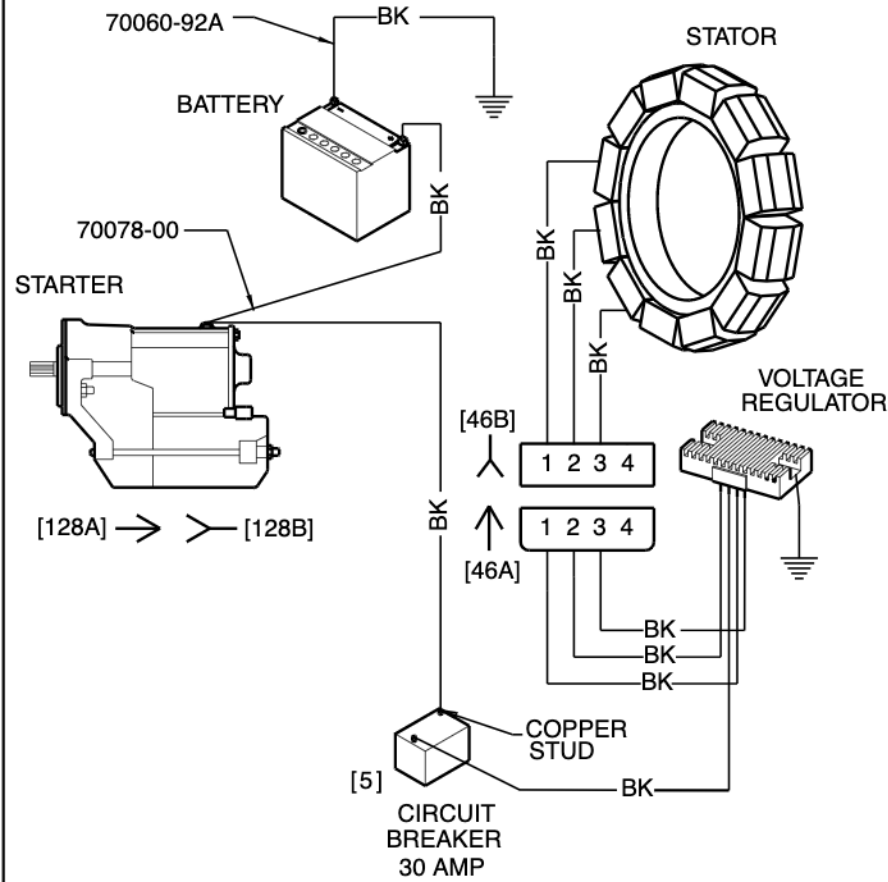
Wire Color Code Key		
BK - Black	GN - Green	LT.GN - Light Green
BN - Brown	BE - Blue	PK - Pink
R - Red	V - Violet	TN - Tan
O - Orange	GY - Gray	Wire color-XX/XX-Stripe color
Y - Yellow	W - White	

←	PIN CONNECTOR (A side)
↙	SOCKET CONNECTOR (B side)

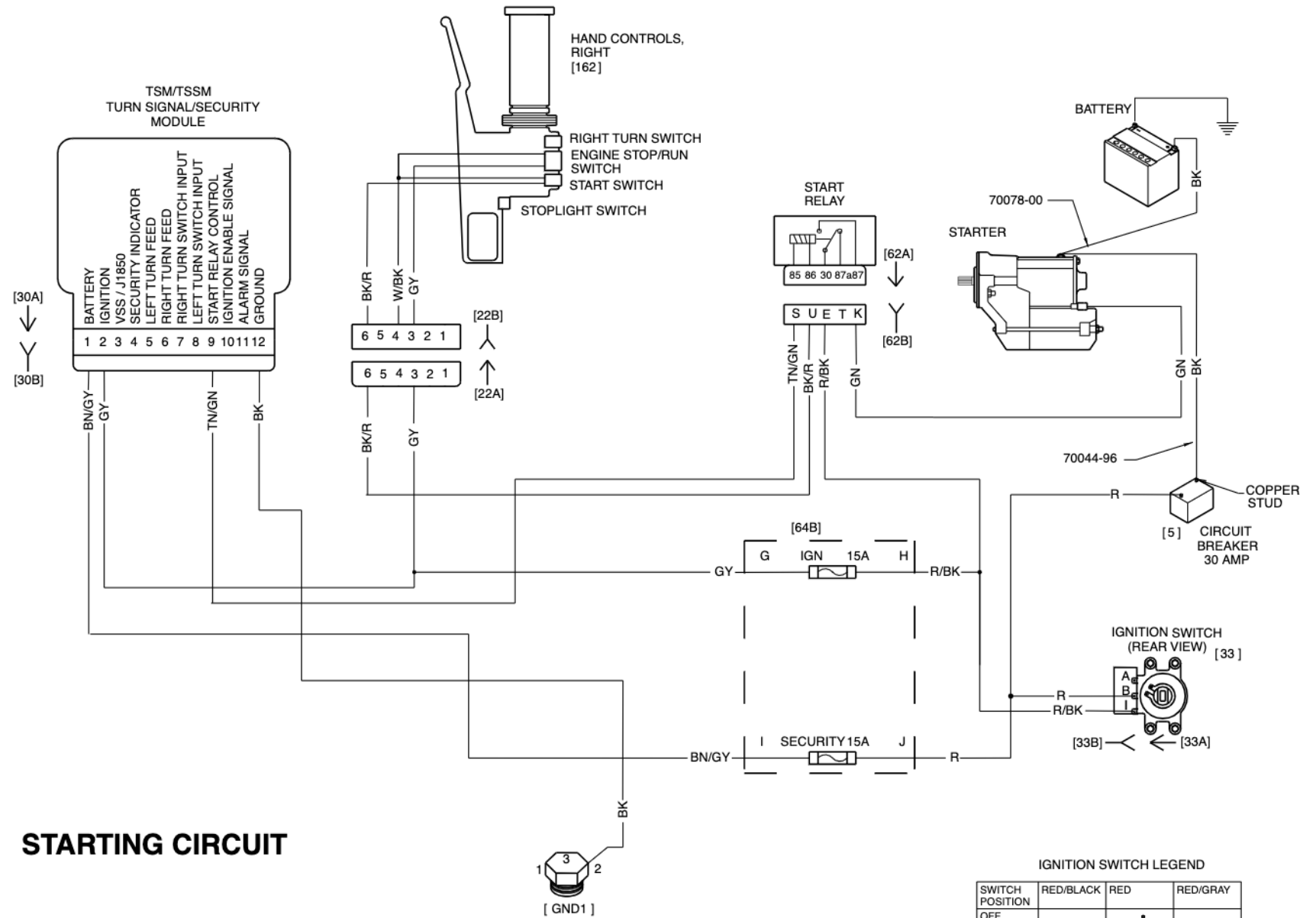
IGNITION SWITCH LEGEND			
SWITCH POSITION	RED/BLACK	RED	RED/GRAY
OFF		•	
ACC.	•	•	•
IGNITION	•	•	•

DOT INDICATES CONTINUITY WITH RED WIRE IN SWITCH POSITION INDICATED





CHARGING CIRCUIT



STARTING CIRCUIT

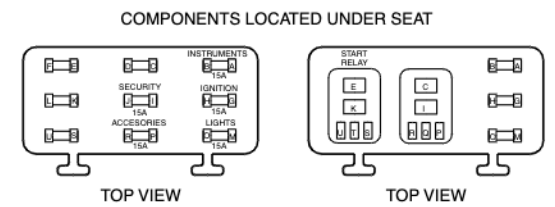
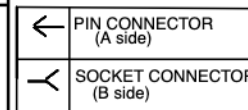
IGNITION SWITCH LEGEND

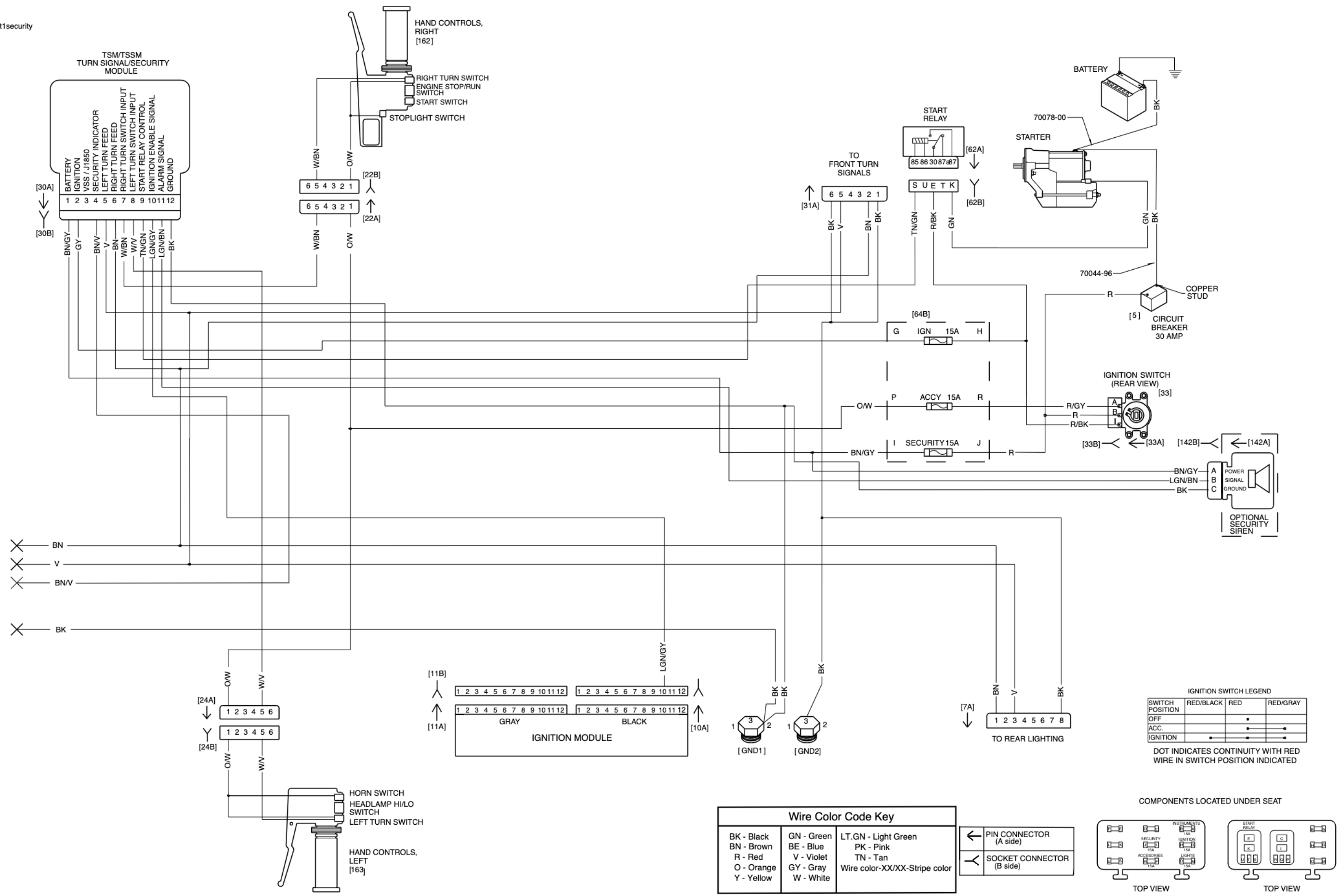
SWITCH POSITION	RED/BLACK	RED	RED/GRAY
OFF		•	
ACC.		•	•
IGNITION	•	•	•

DOT INDICATES CONTINUITY WITH RED WIRE IN SWITCH POSITION INDICATED

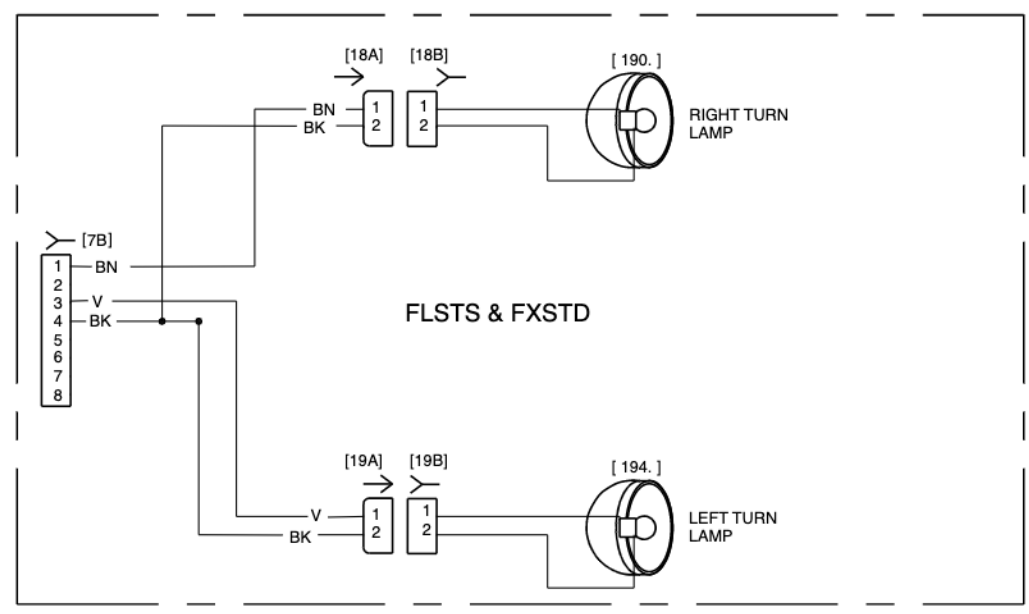
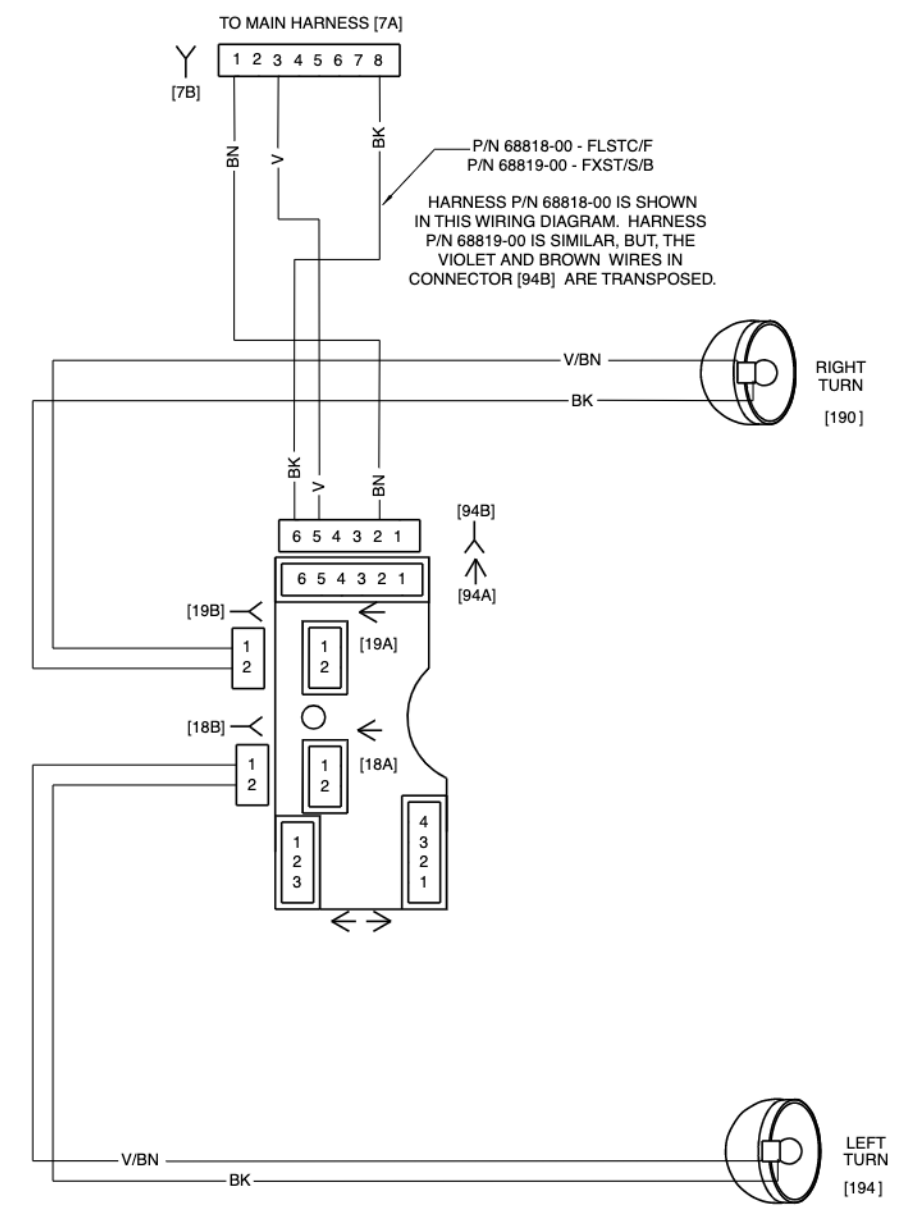
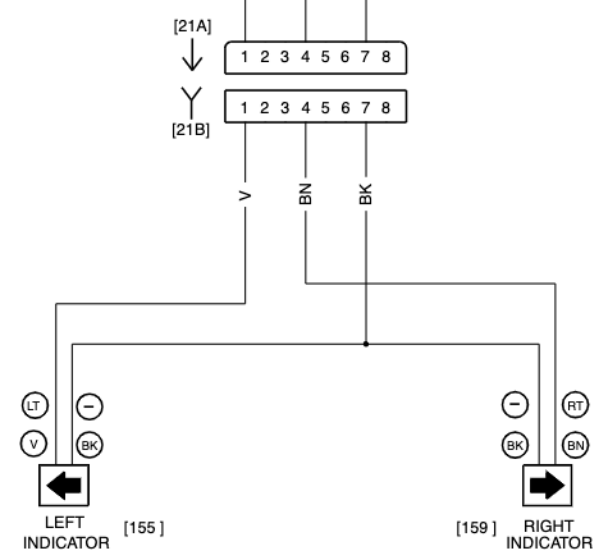
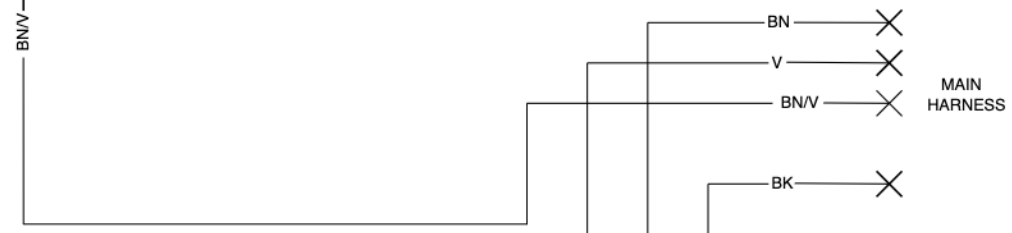
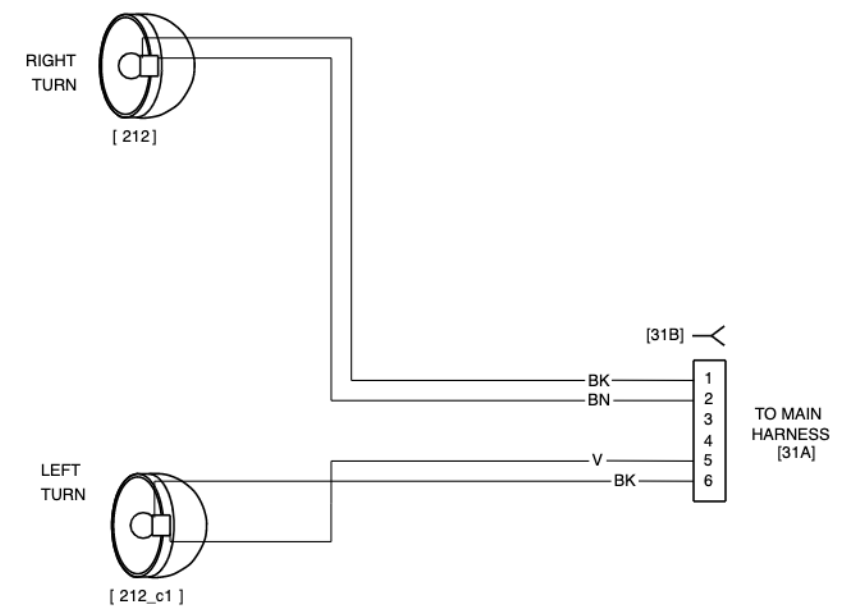
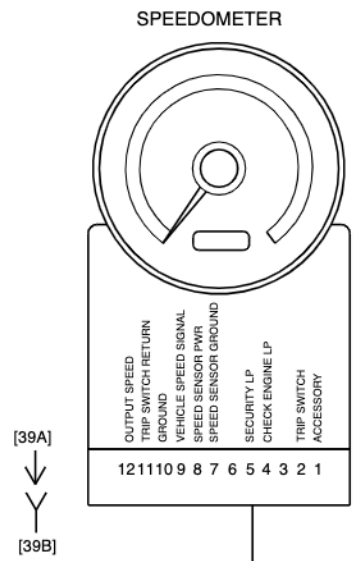
Wire Color Code Key

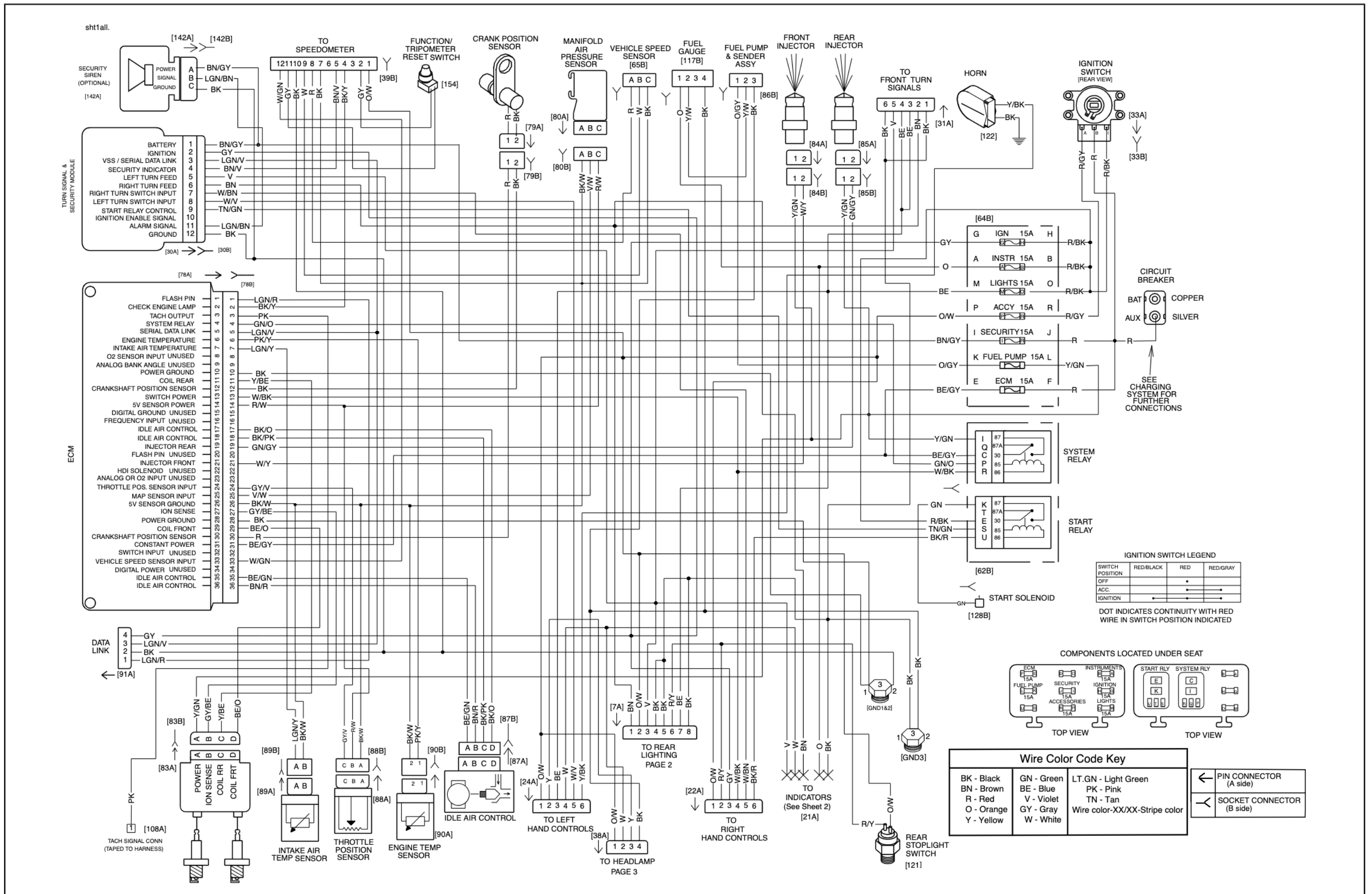
BK - Black	GN - Green	LT.GN - Light Green
BN - Brown	BE - Blue	PK - Pink
R - Red	V - Violet	TN - Tan
O - Orange	GY - Gray	Wire color-XX/XX-Stripe color
Y - Yellow	W - White	



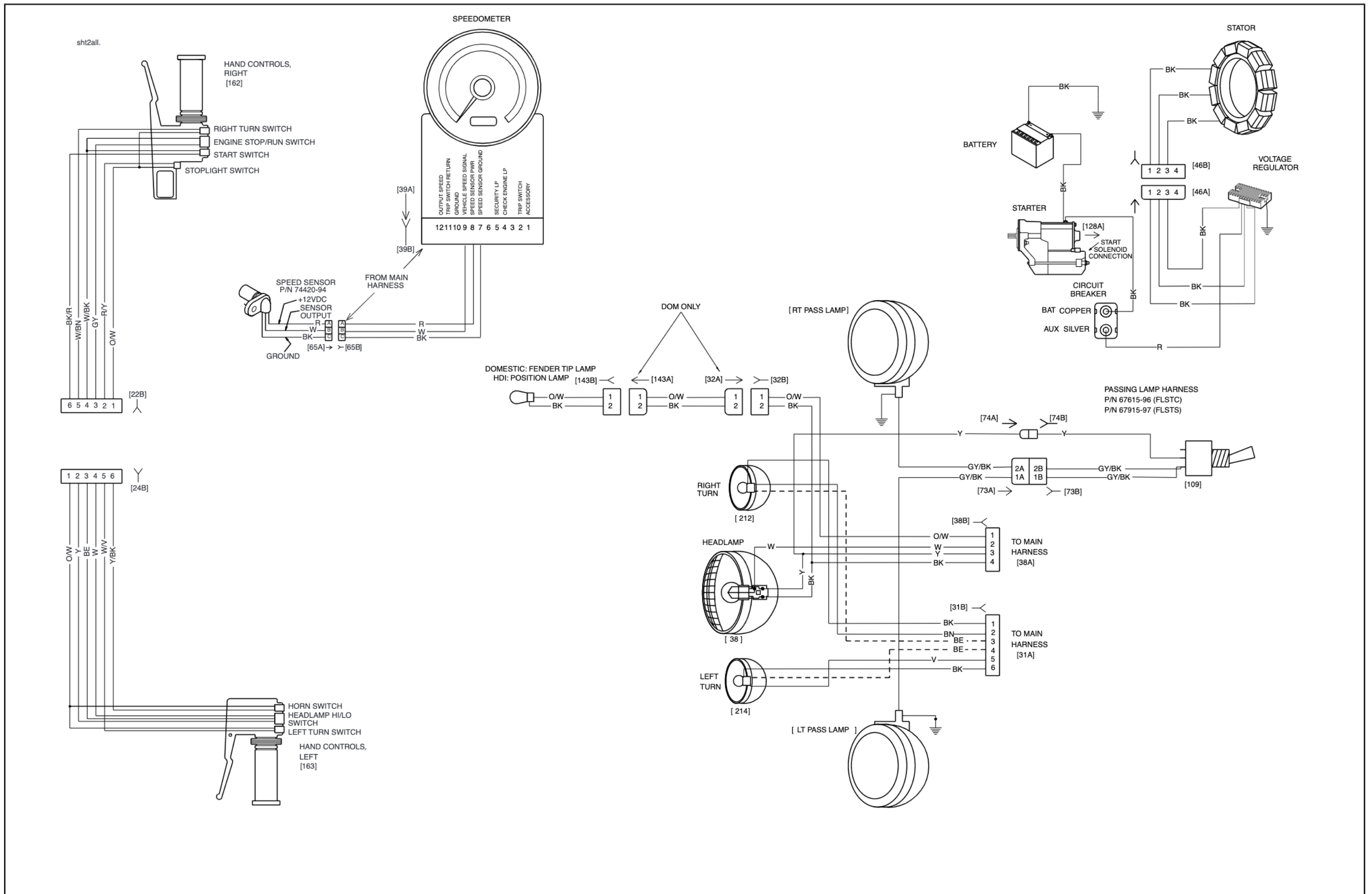


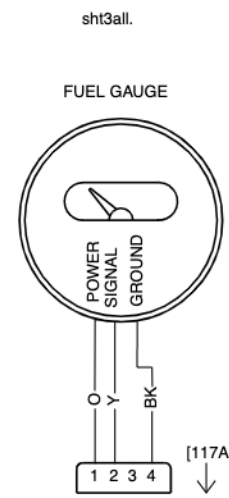
sht2+3security



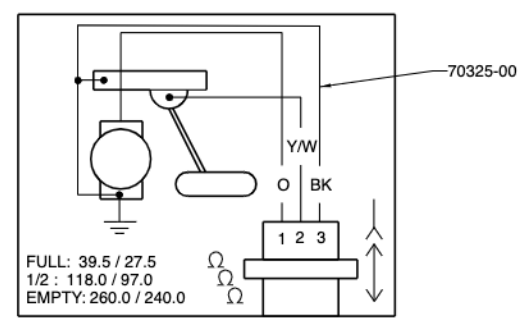


2003 ALL EFI SOFTAIL DOM. and INT. MODELS, MAIN HARNESS, SHEET 1 OF 12





FUEL PUMP AND SENDER IN FUEL TANK

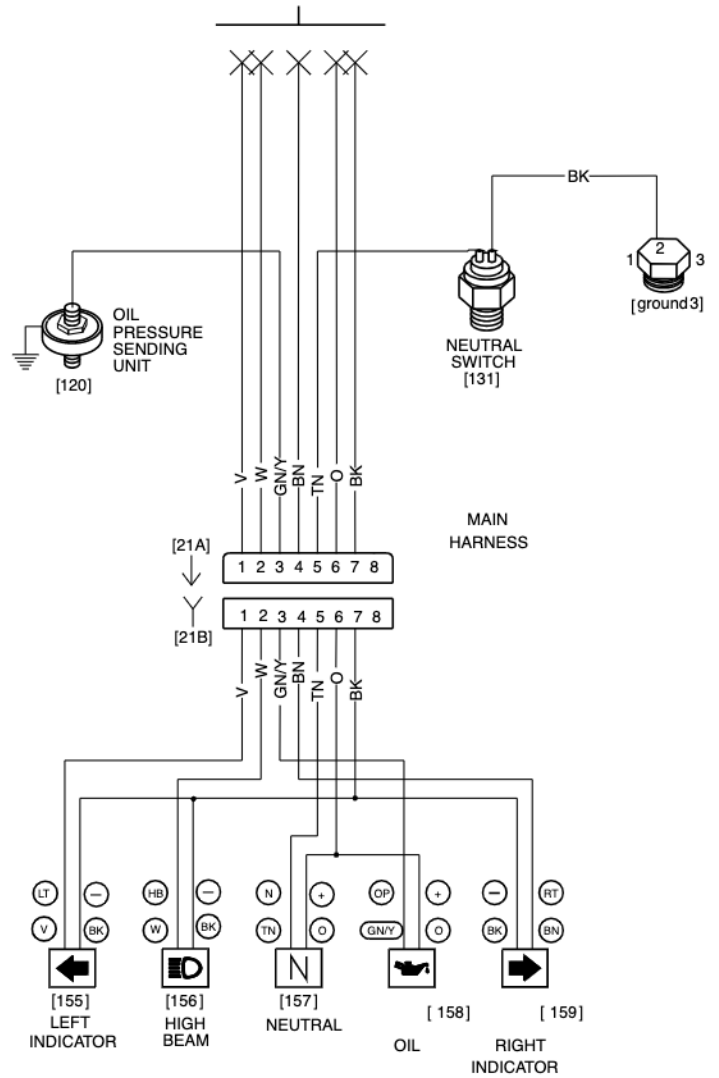


TO [86B] ON MAIN HARNESS

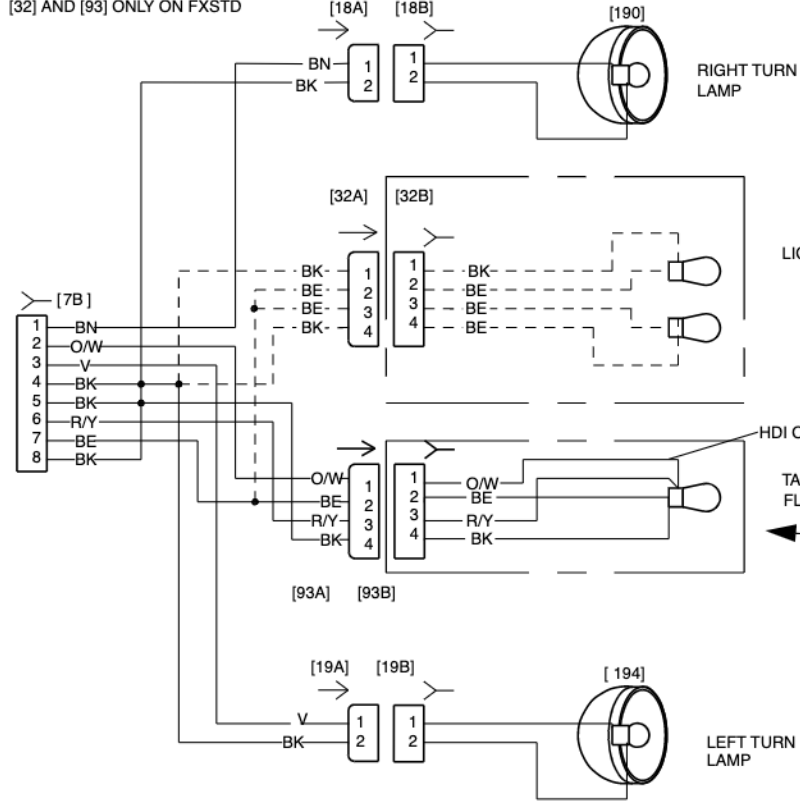
ALL SOFTAIL EXCEPT FLSTS & FXSTD

TO MAIN HARNESS [7A]
1 2 3 4 5 6 7 8
[7B]
BN O/W V R/Y BE BK
P/N 68818-00 - FLSTC/F
P/N 68819-00 - FXST/S/B
HARNESS P/N 68818-00 IS SHOWN IN THIS WIRING DIAGRAM. HARNESS P/N 68819-00 IS SIMILAR, BUT, THE VIOLET AND BROWN WIRES IN CONNECTOR [94B] ARE TRANSPOSED.

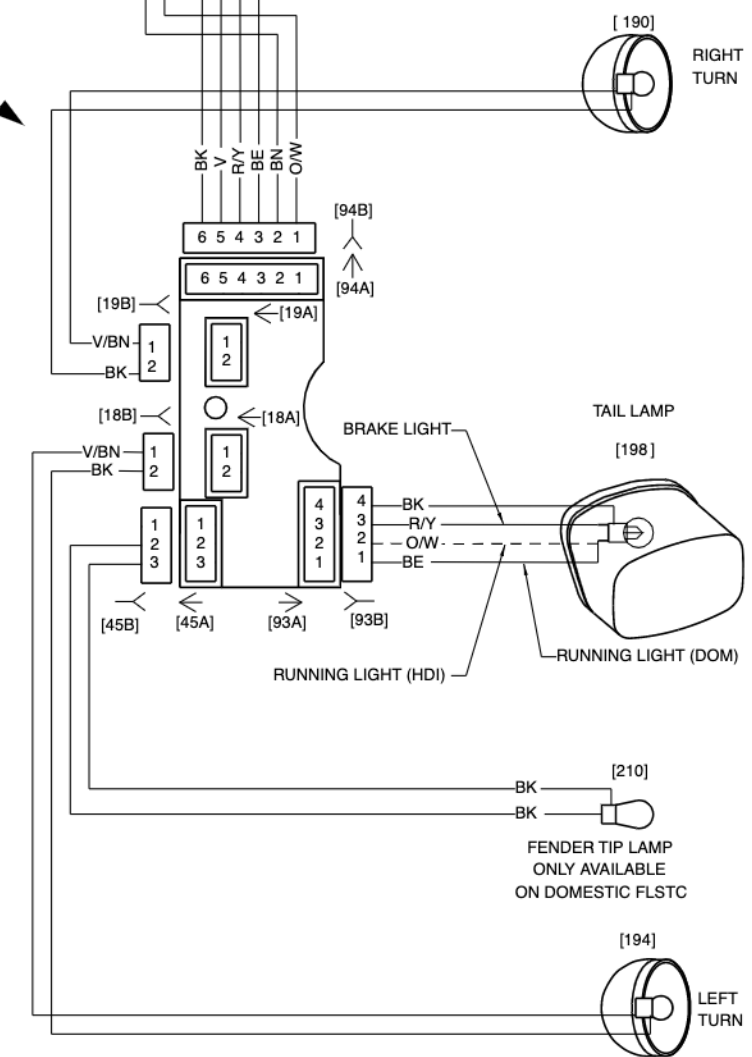
TO MAIN HARNESS SHEET 1

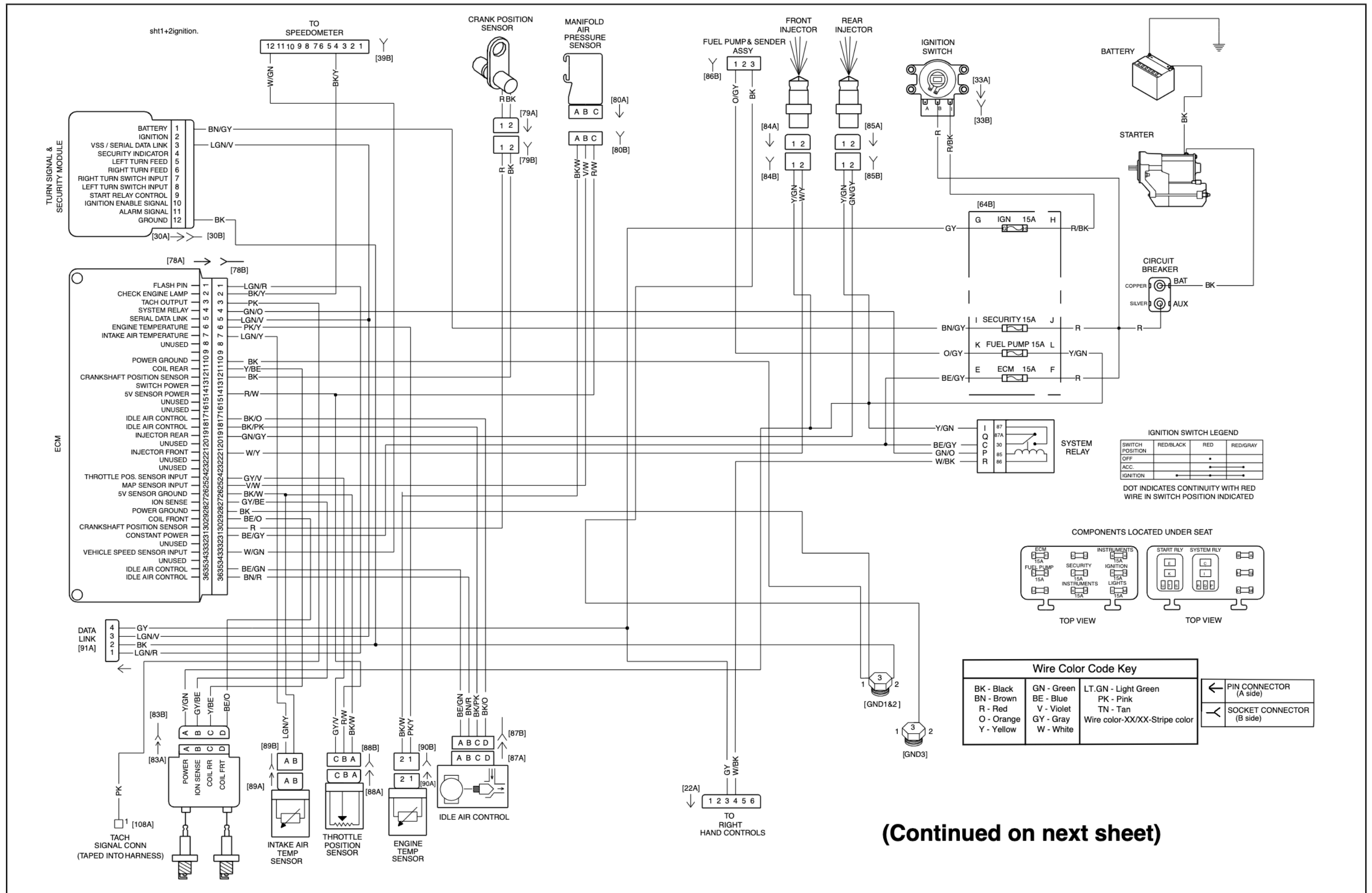


HARNESS P/N 68817-00 WITH CONNECTORS [32] AND [93] ONLY ON FXSTD

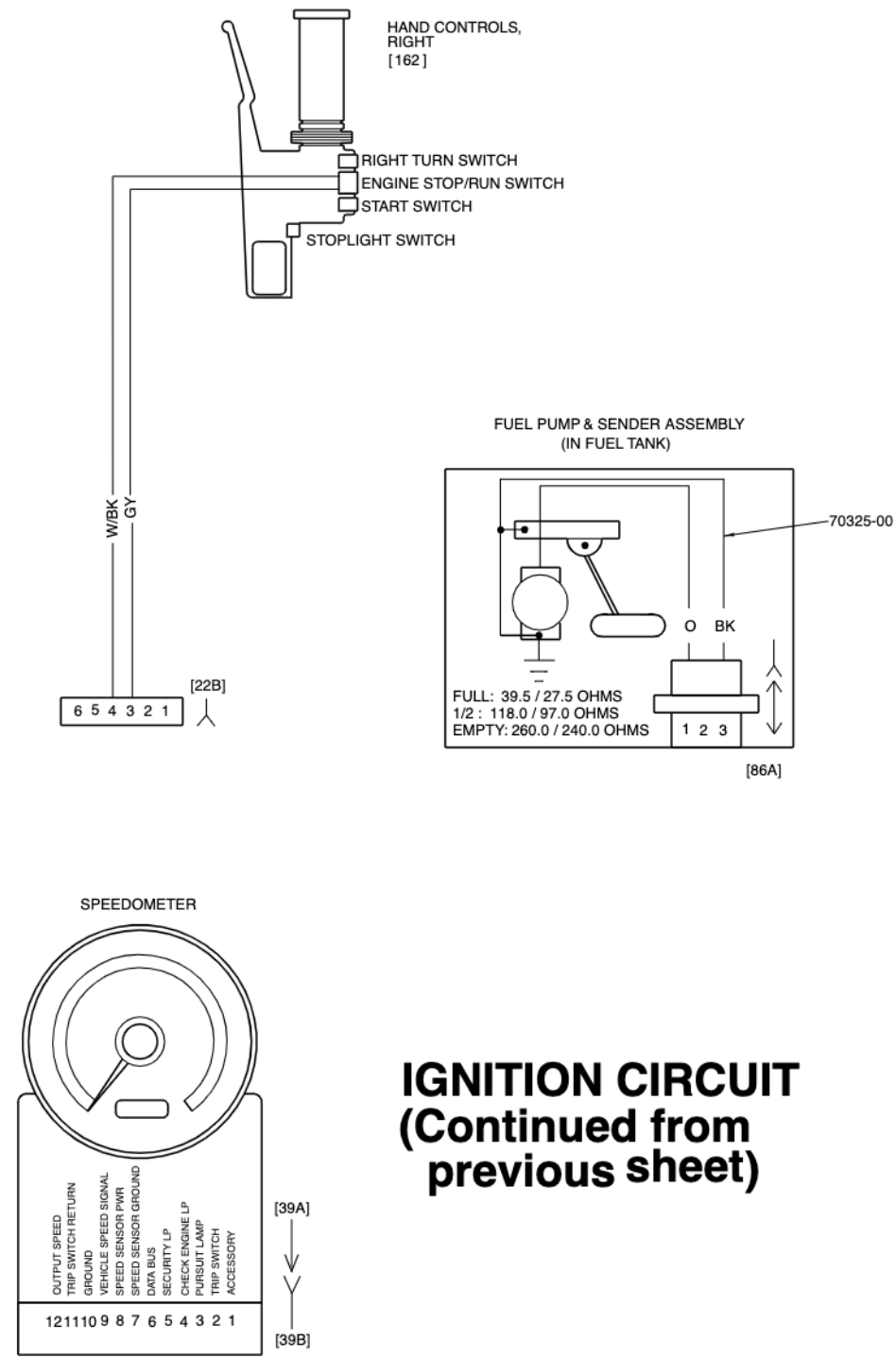


FLSTS & FXSTD TAIL LAMP



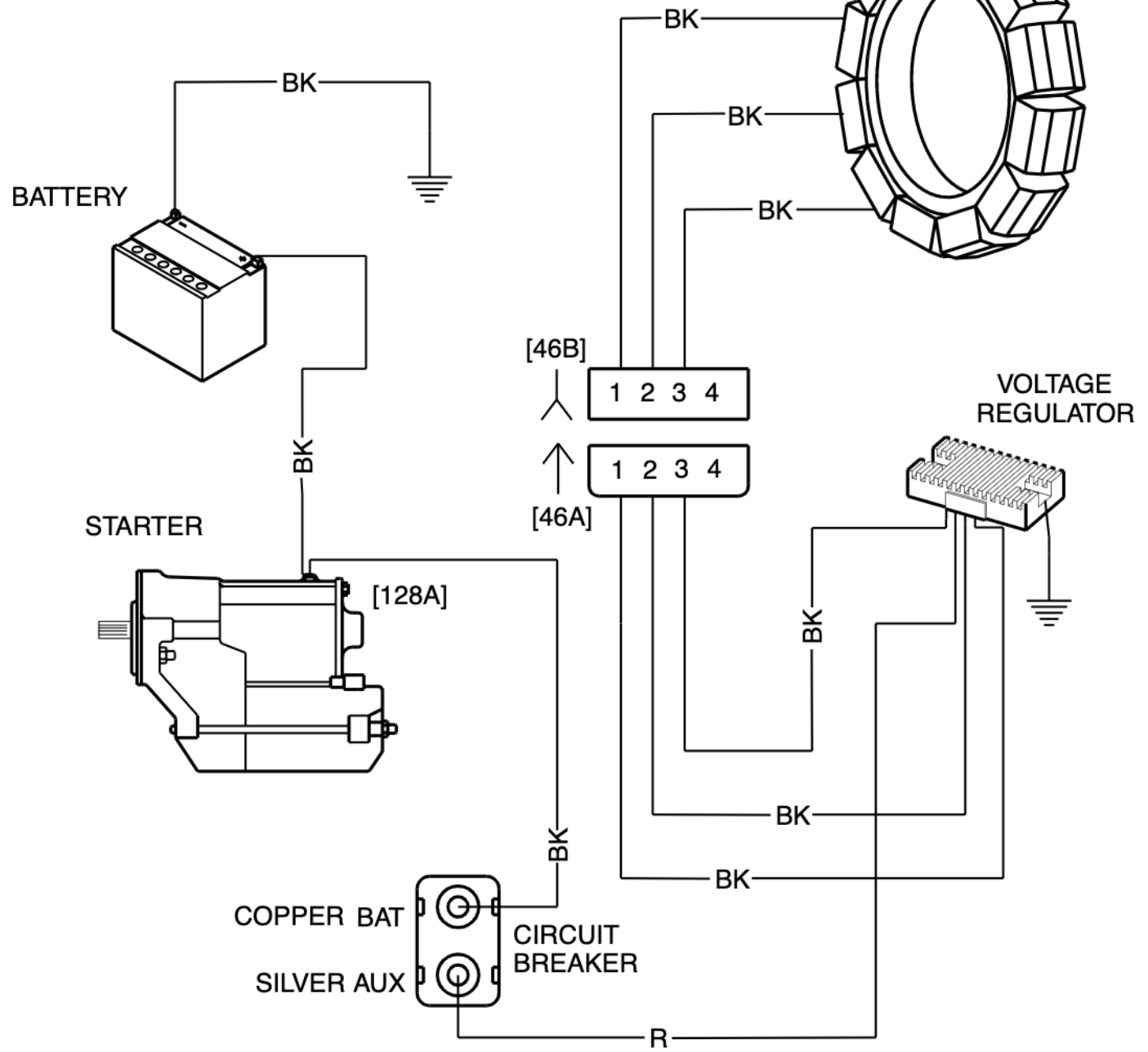


(Continued on next sheet)



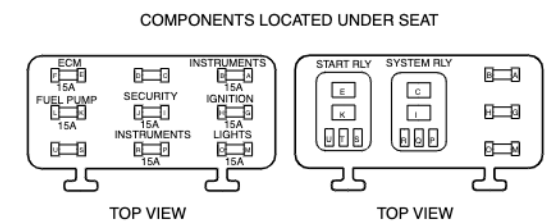
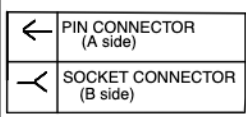
**IGNITION CIRCUIT
 (Continued from previous sheet)**

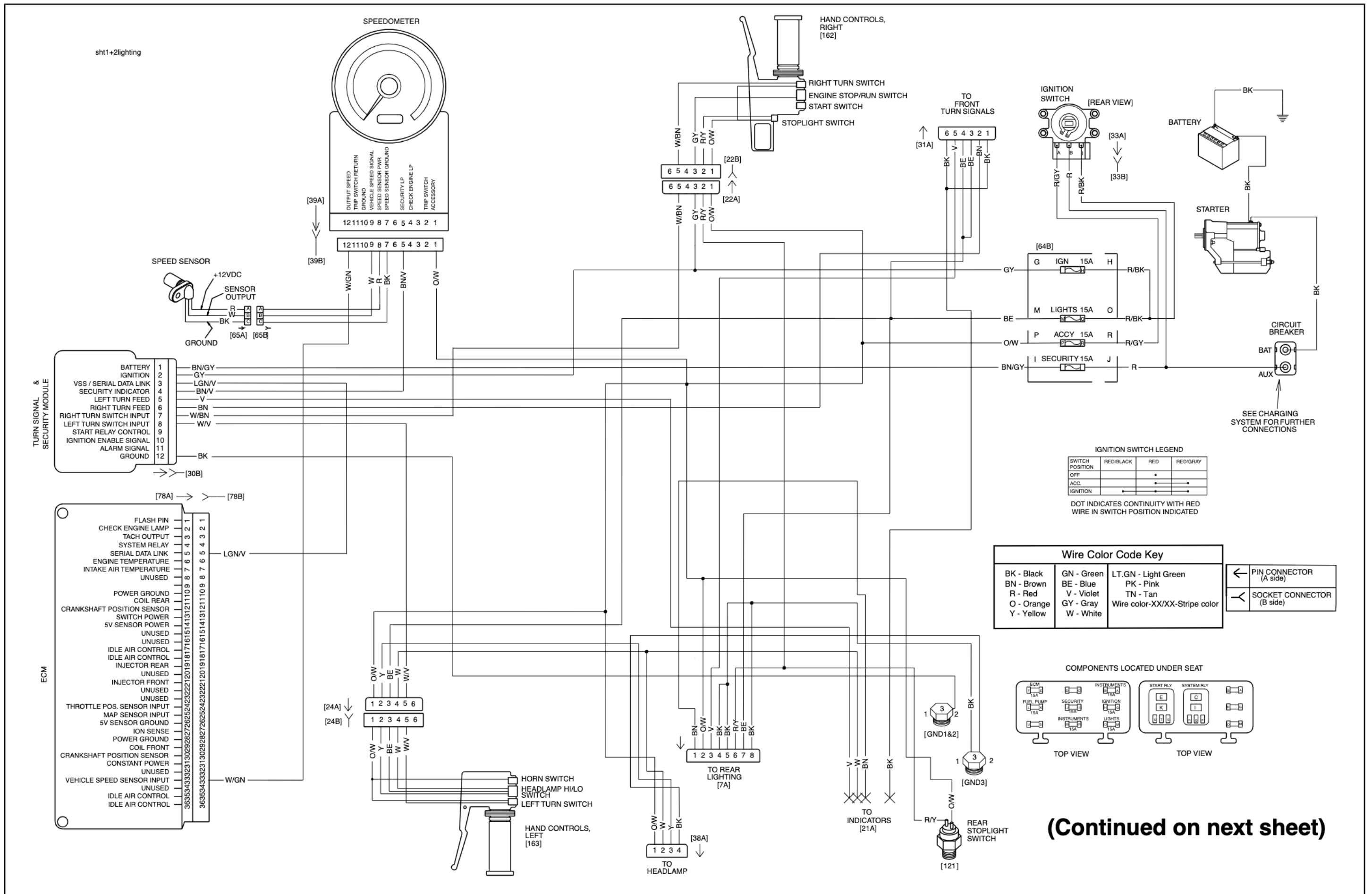
CHARGING CIRCUIT

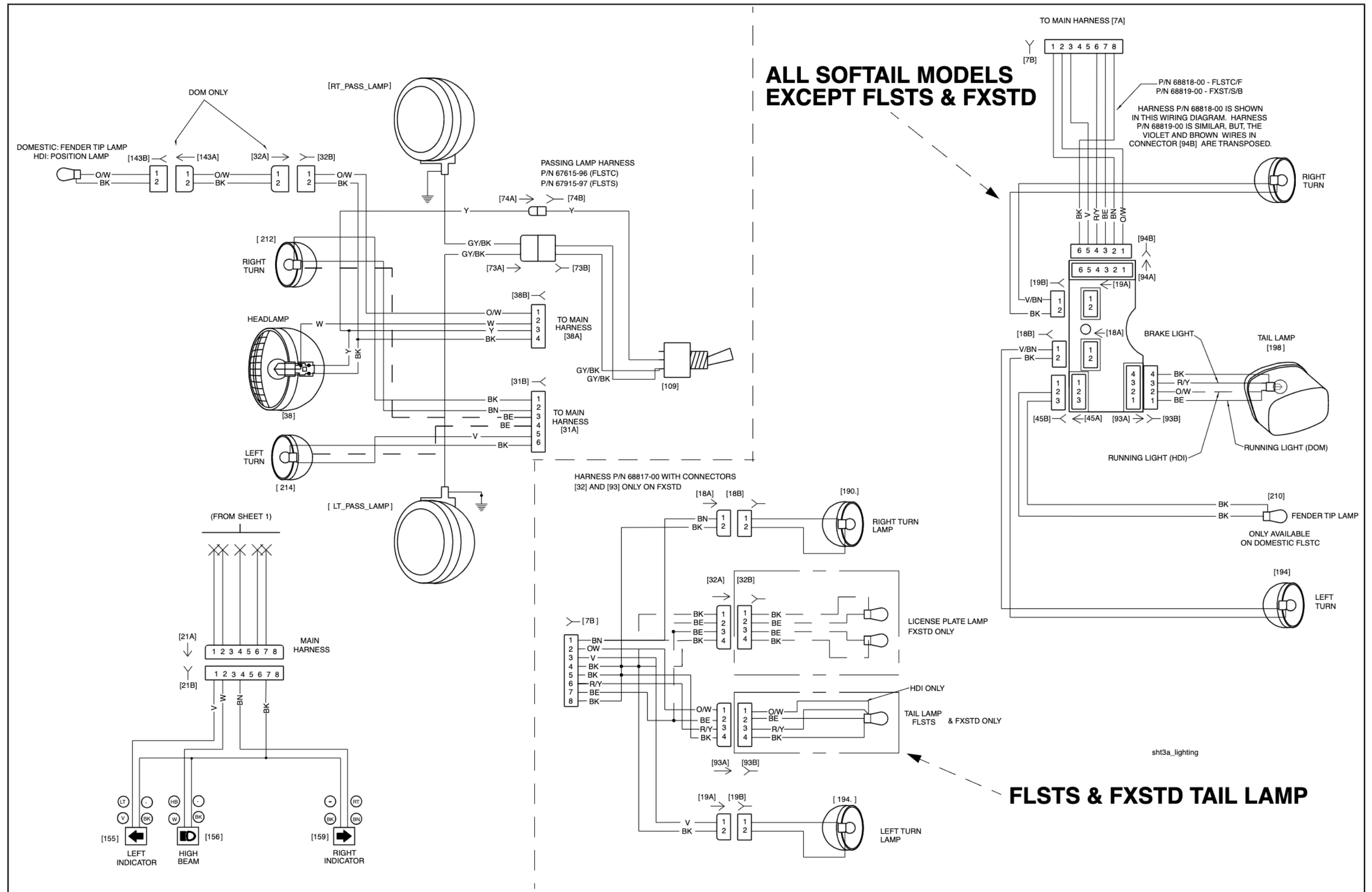


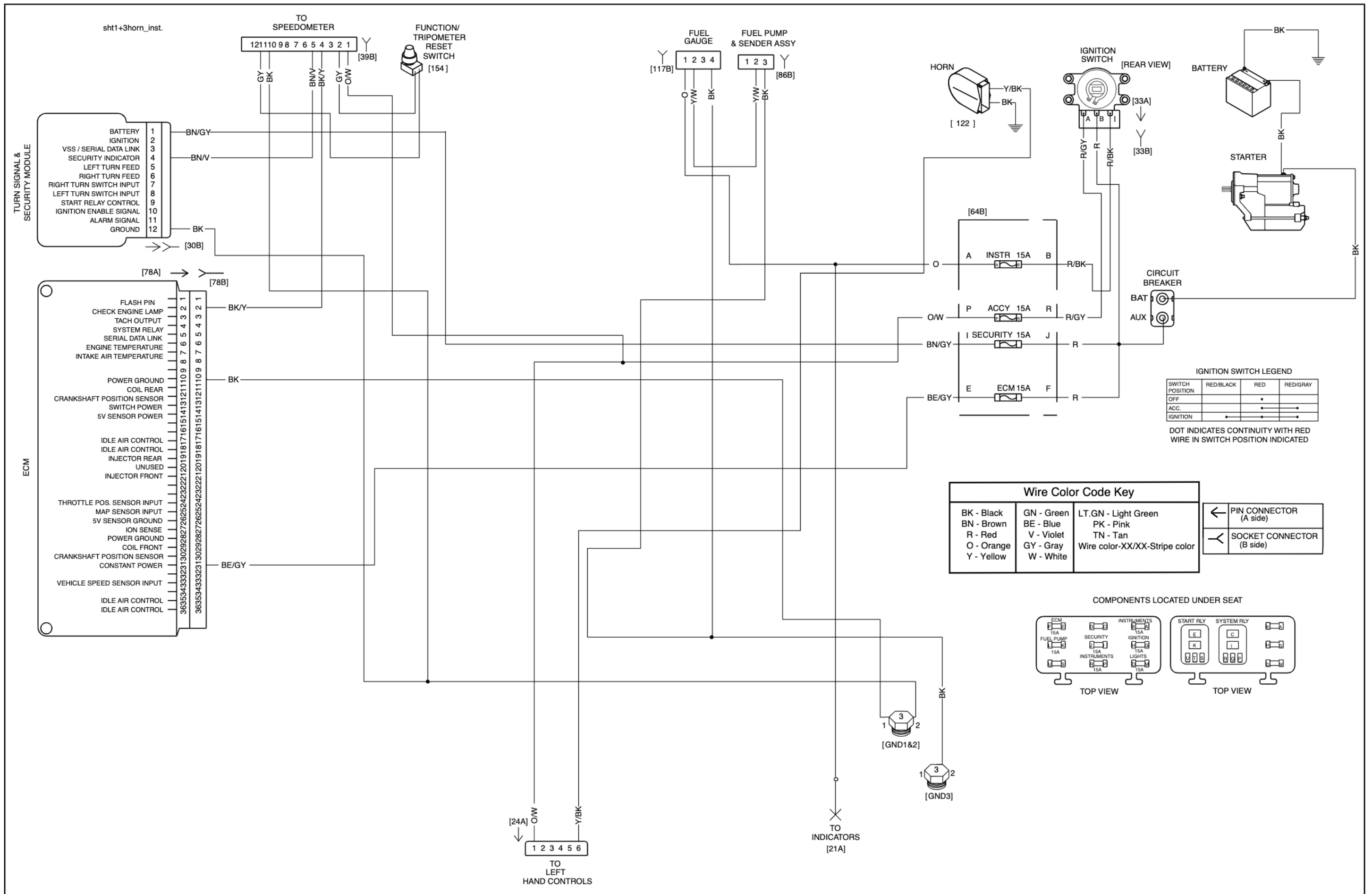
Wire Color Code Key

BK - Black	GN - Green	LT.GN - Light Green
BN - Brown	BE - Blue	PK - Pink
R - Red	V - Violet	TN - Tan
O - Orange	GY - Gray	Wire color-XX/XX-Stripe color
Y - Yellow	W - White	

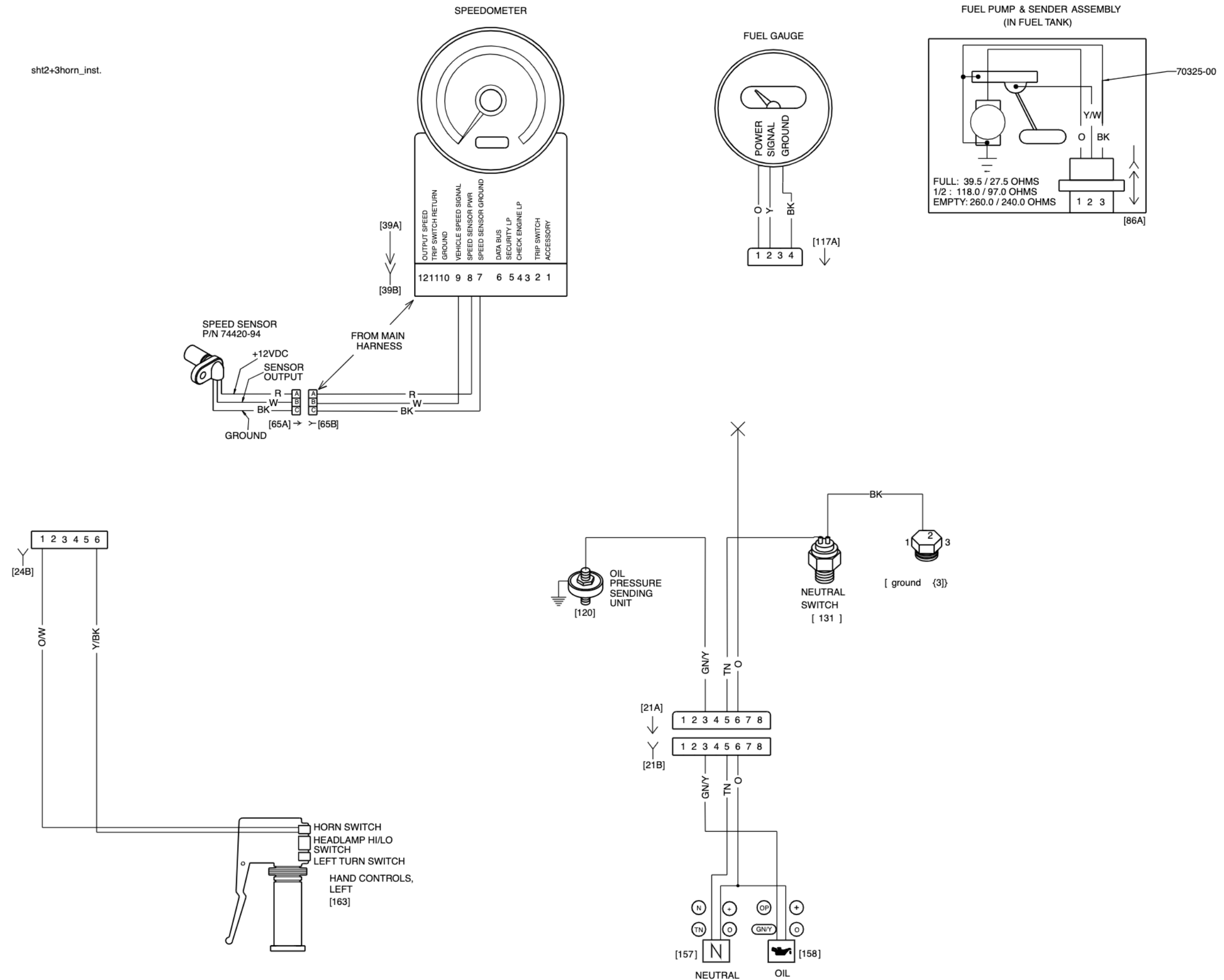


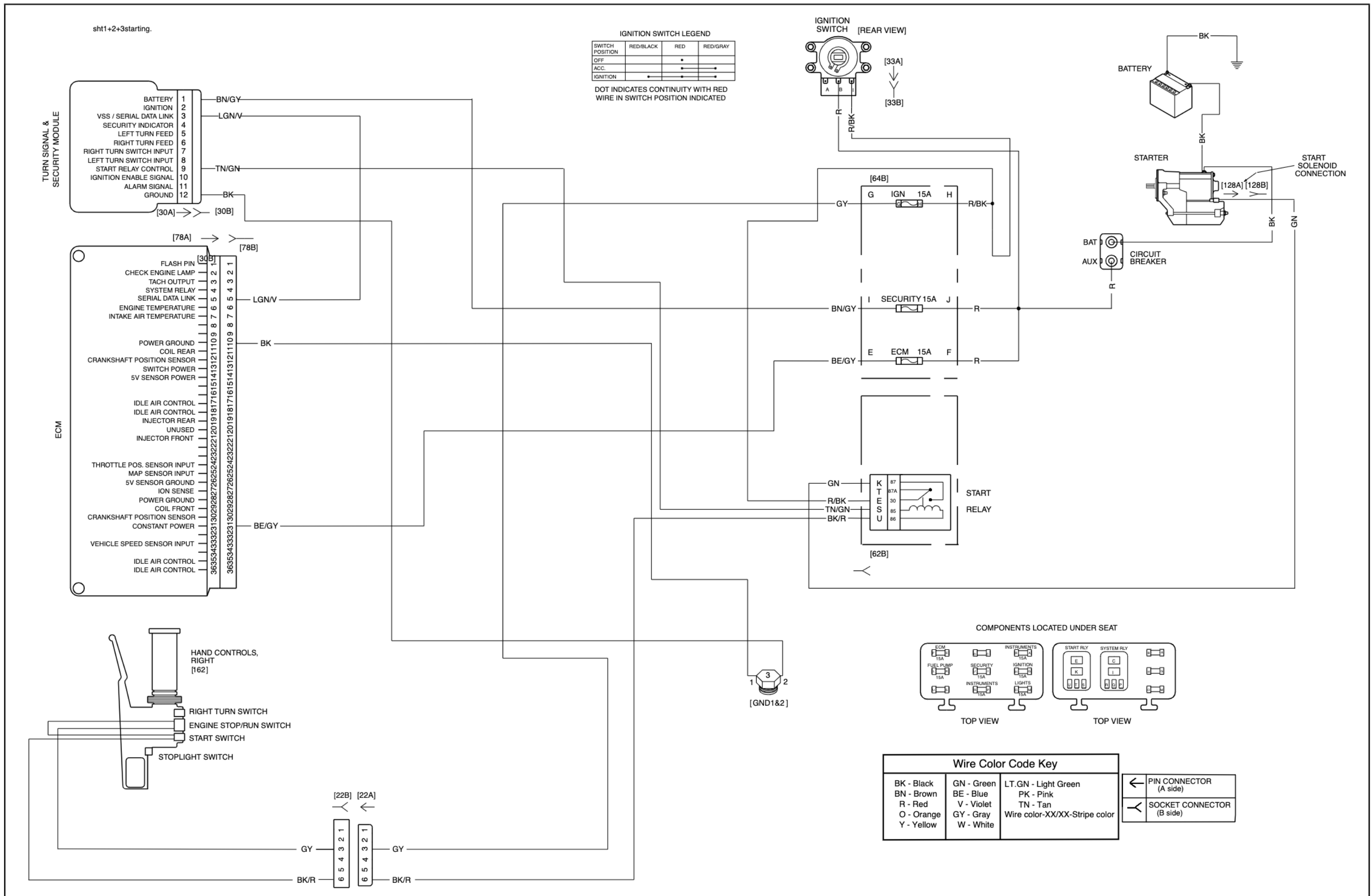




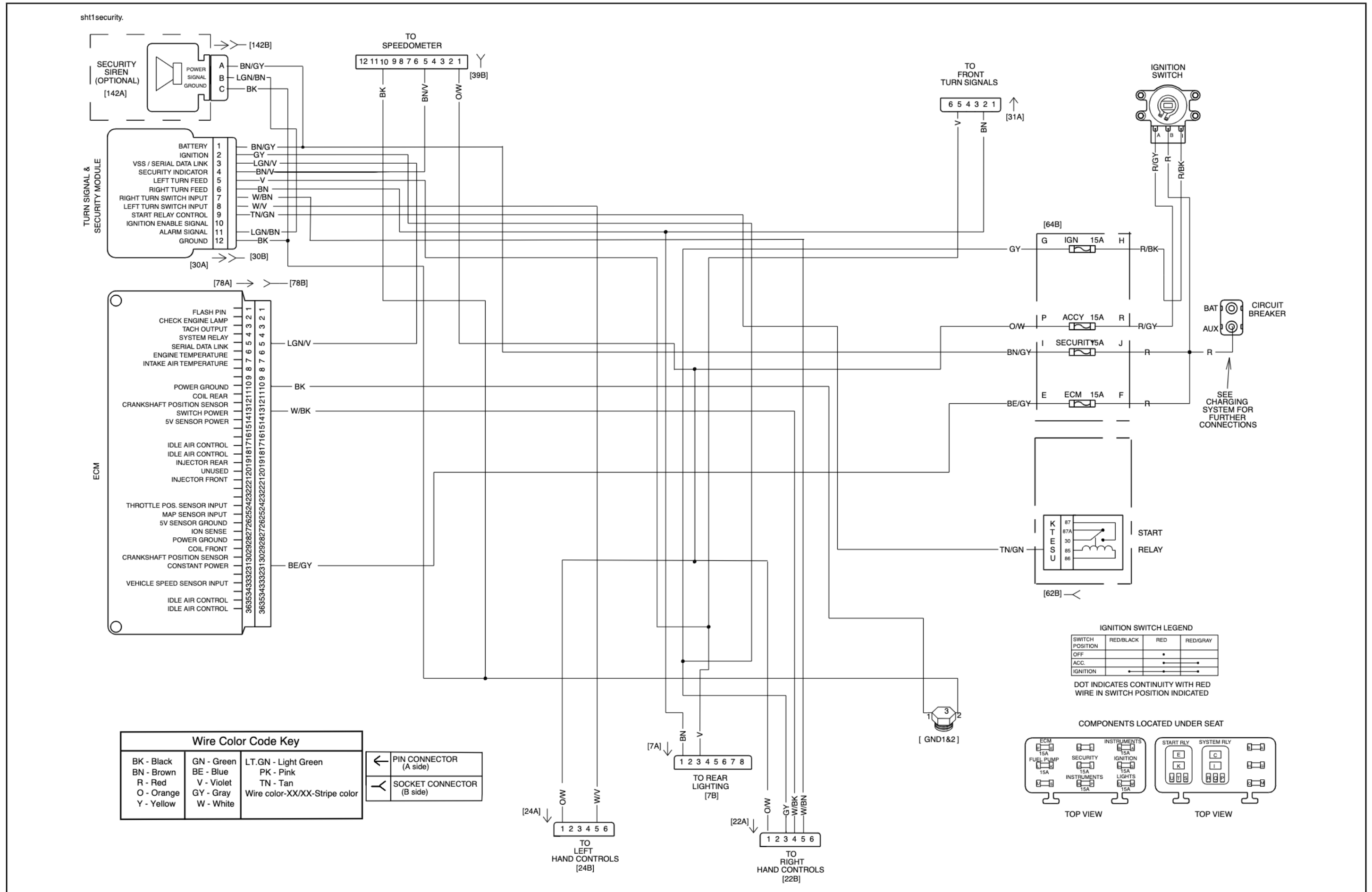


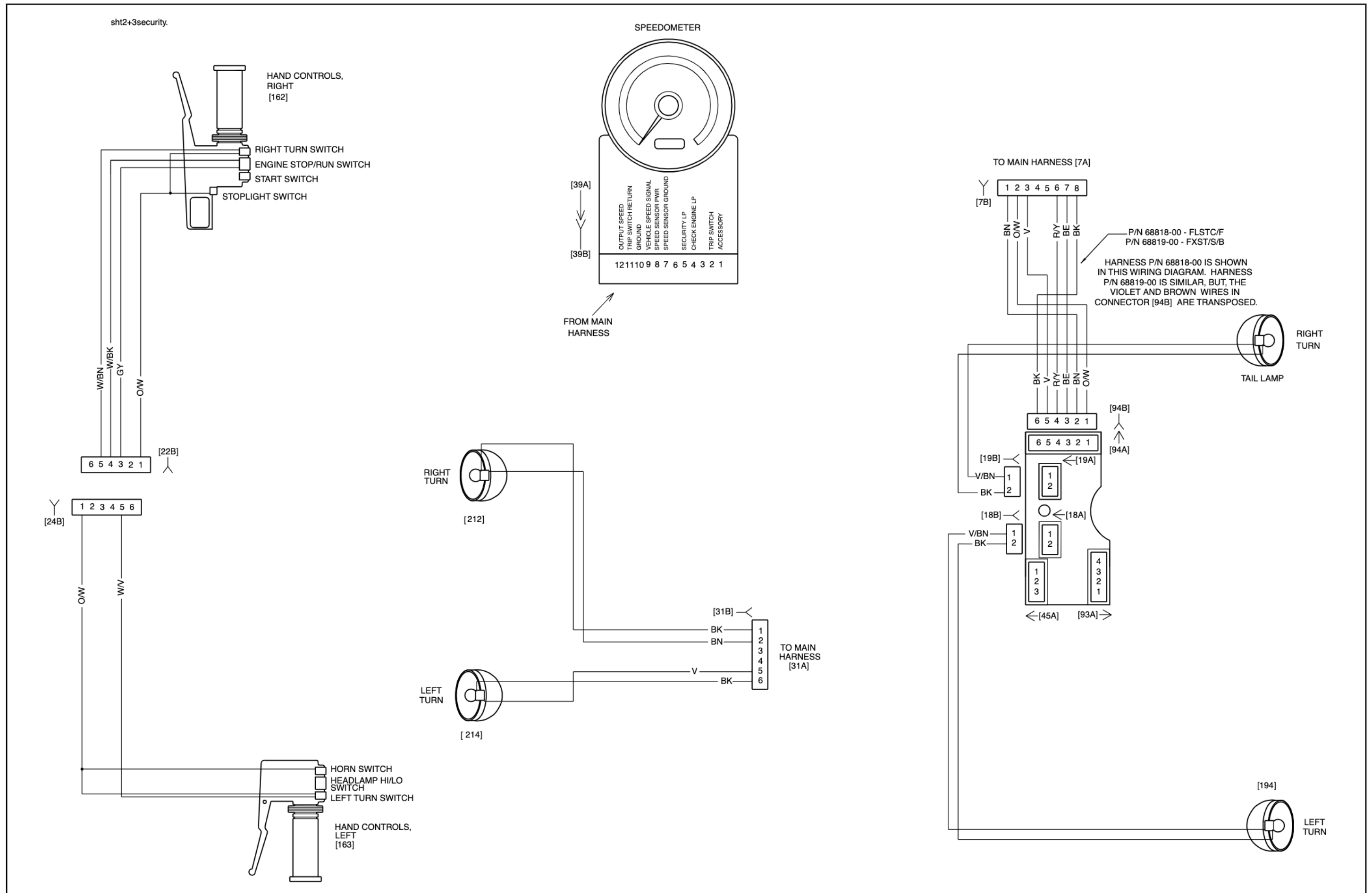
sht2+3horn_inst.

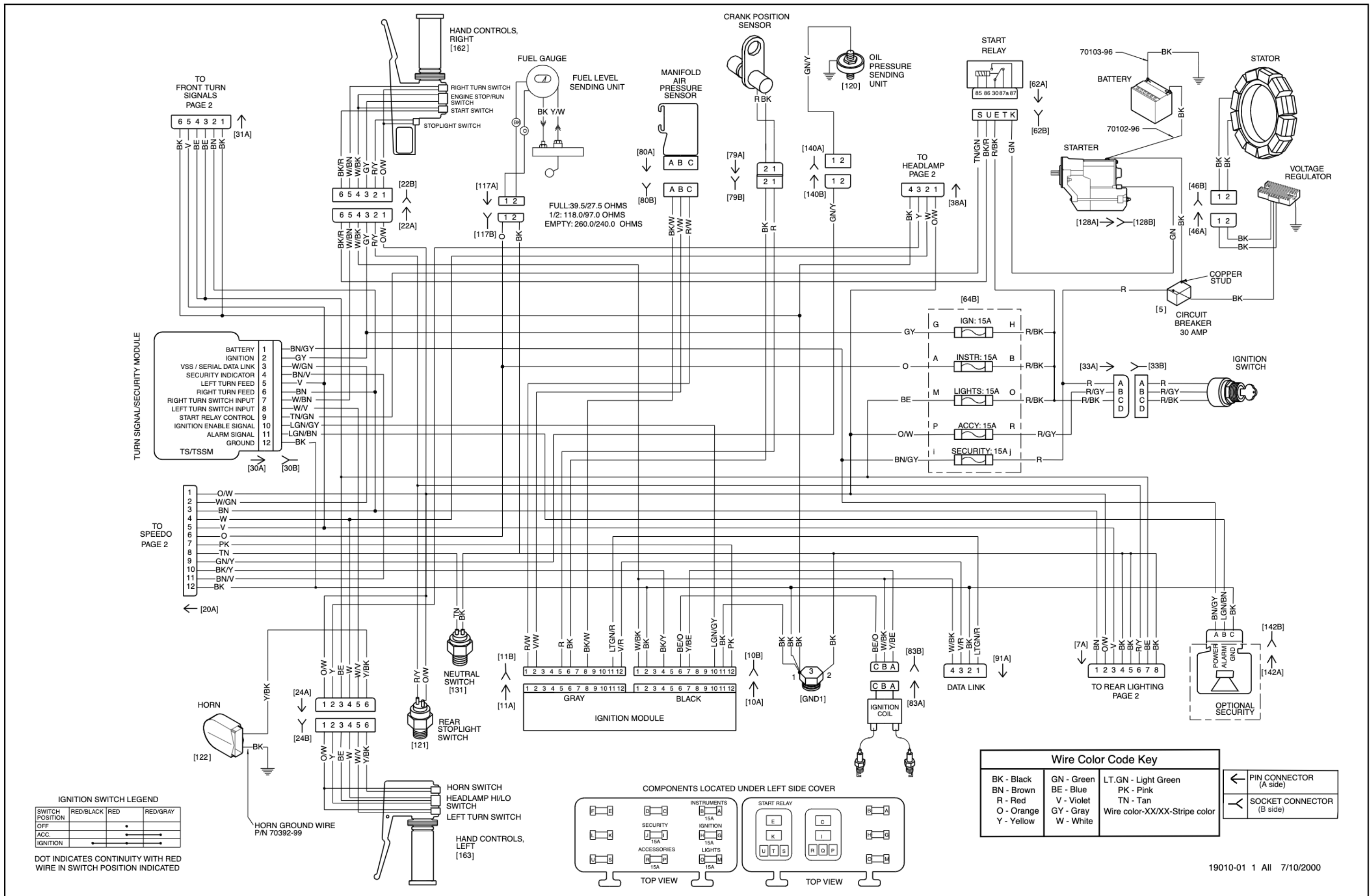


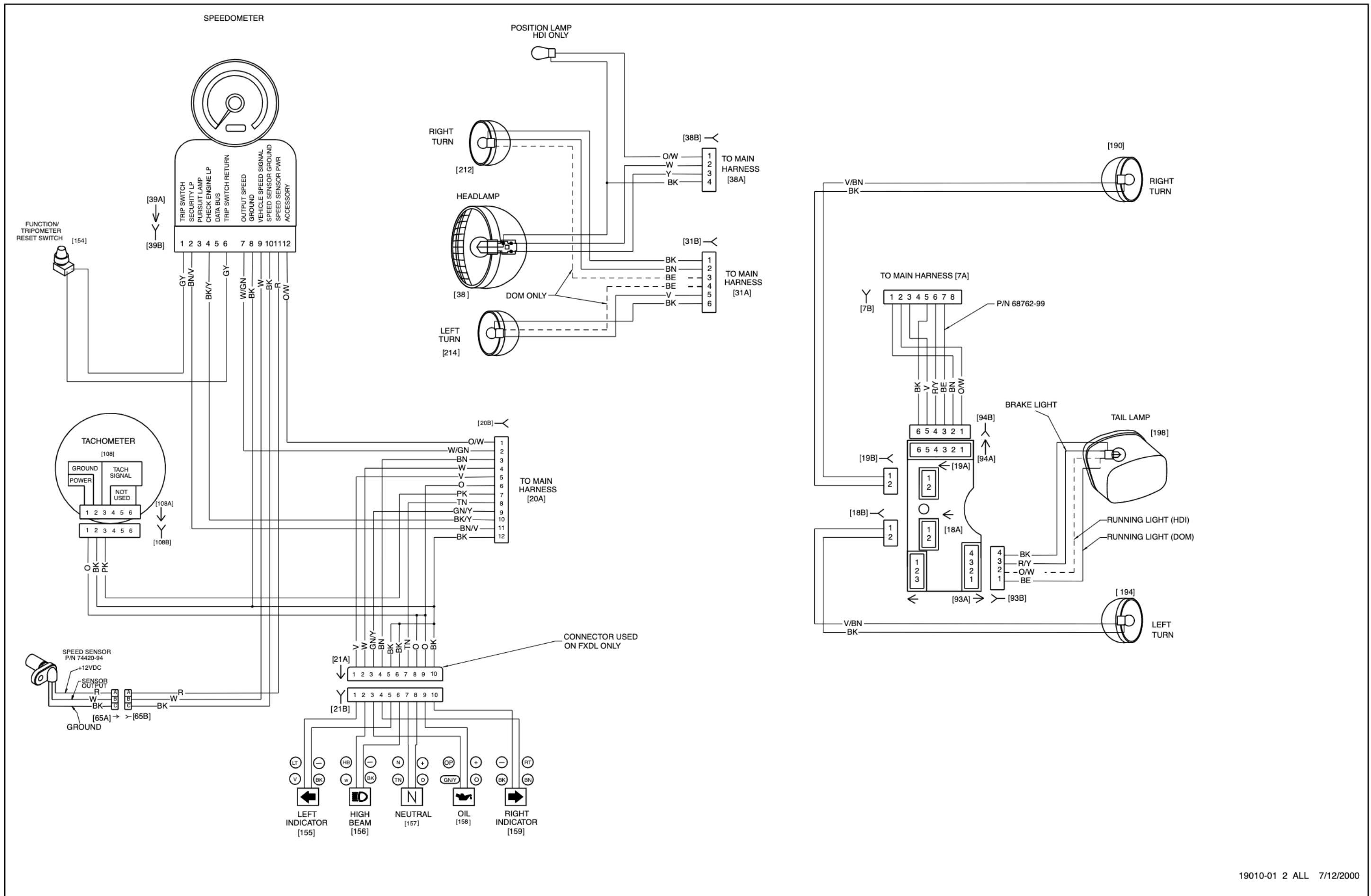


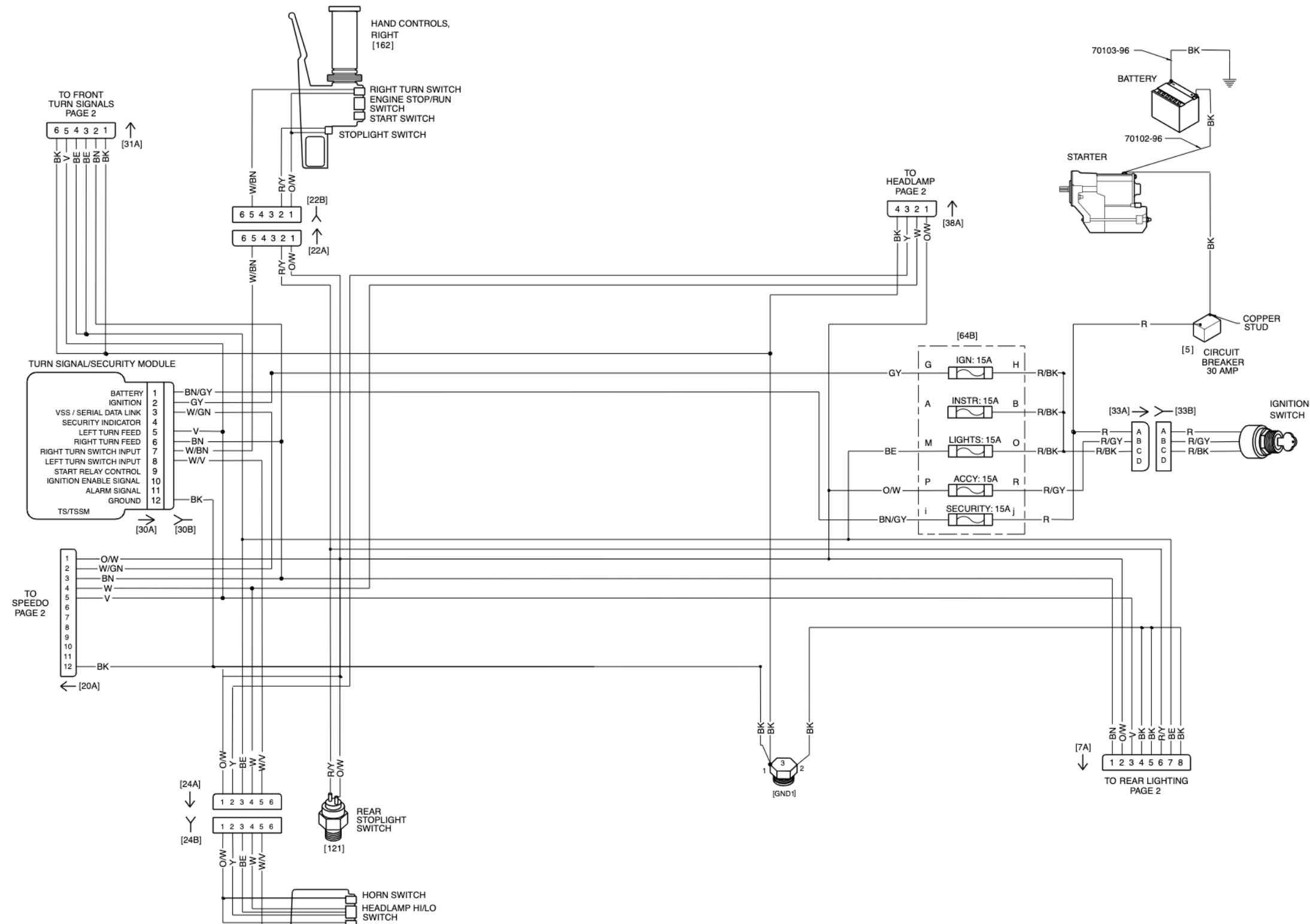
2003 ALL EFI SOFTAIL DOM. and INT. MODELS, STARTING CIRCUIT, SHEET 10 OF 12





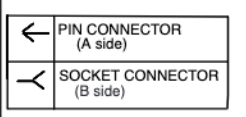






Wire Color Code Key

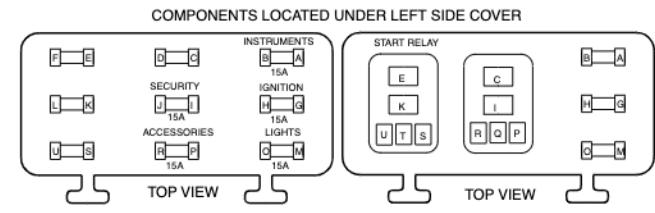
BK - Black	GN - Green	LT.GN - Light Green
BN - Brown	BE - Blue	PK - Pink
R - Red	V - Violet	TN - Tan
O - Orange	GY - Gray	Wire color-XX/XX-Stripe color
Y - Yellow	W - White	

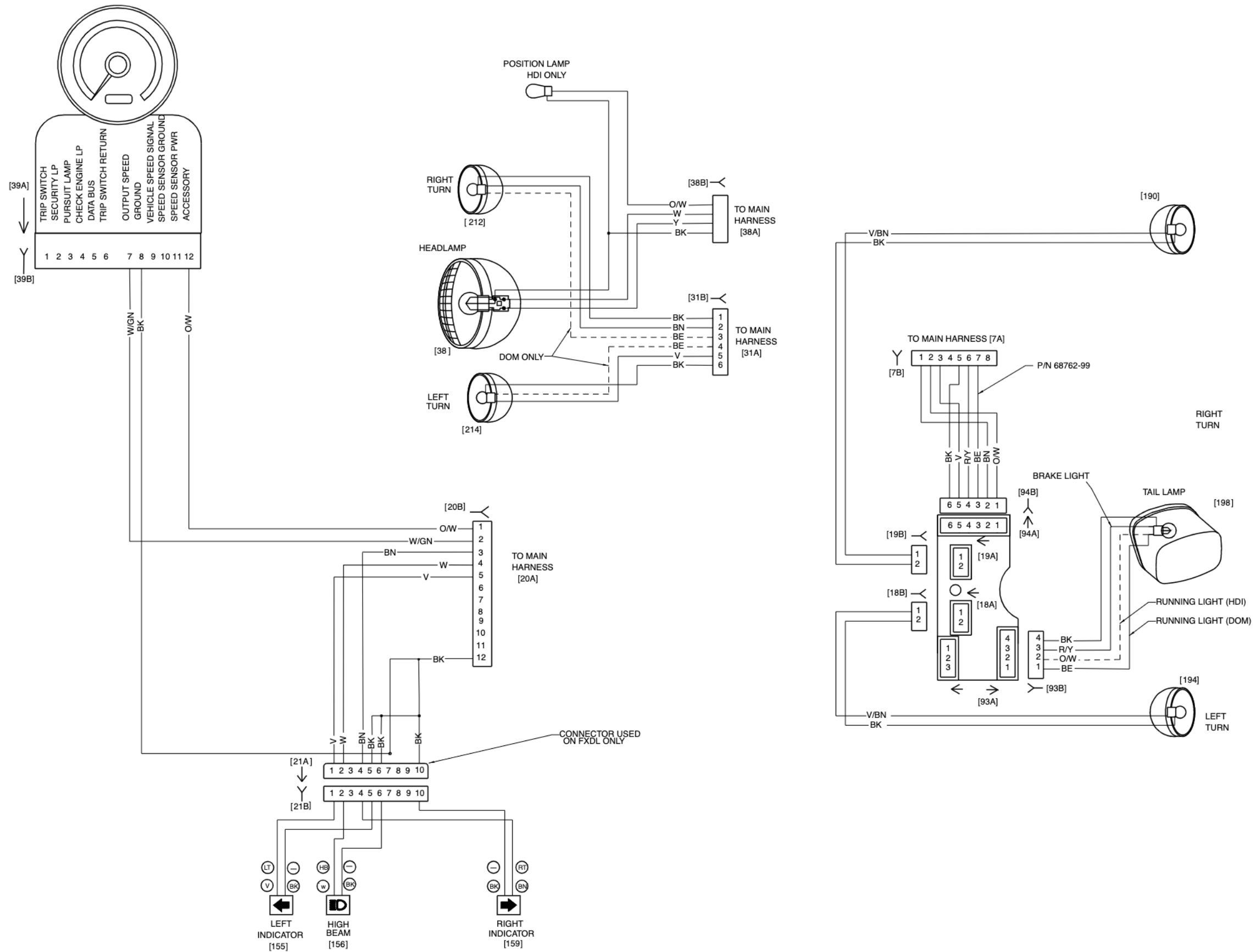


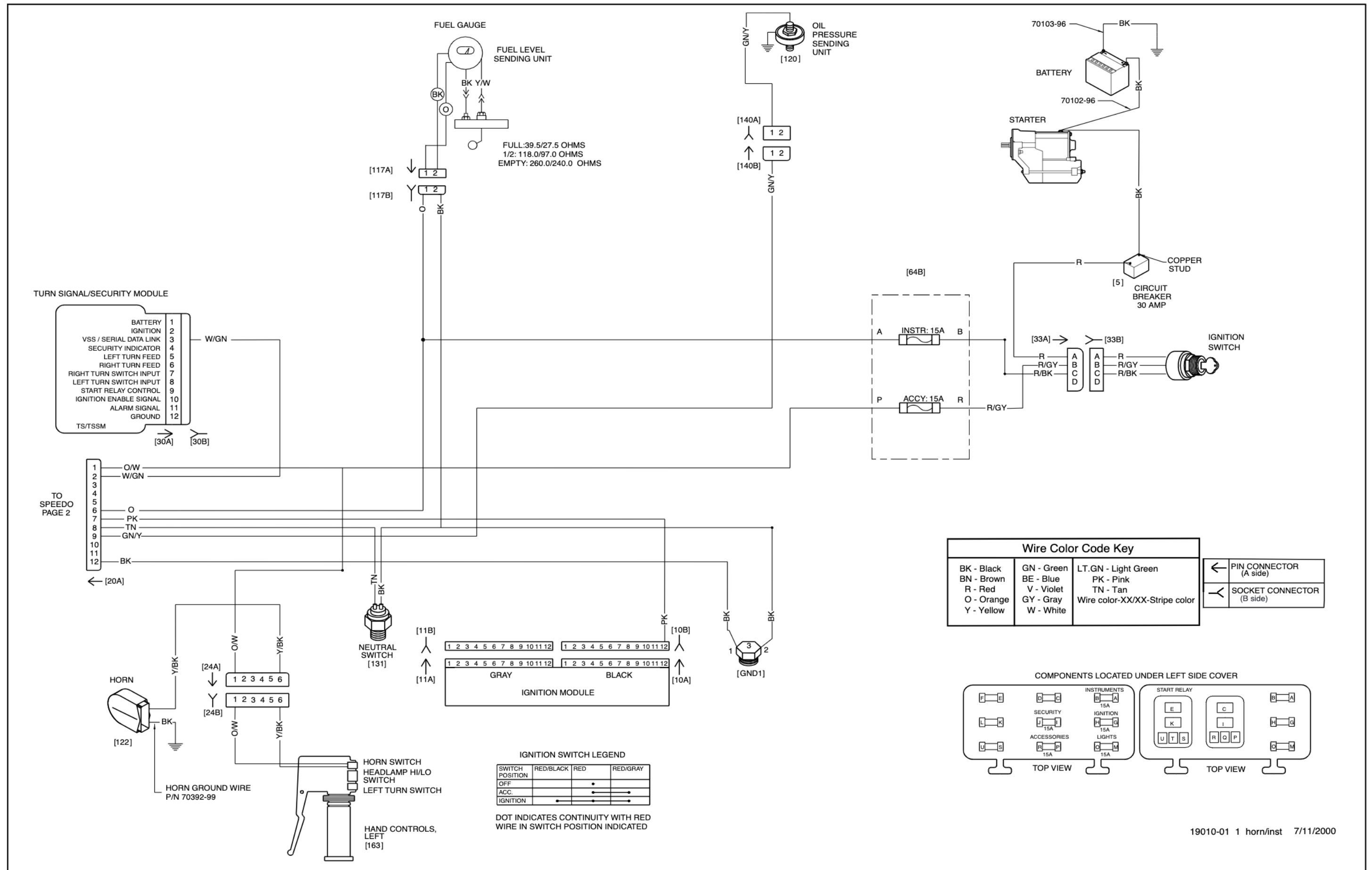
IGNITION SWITCH LEGEND

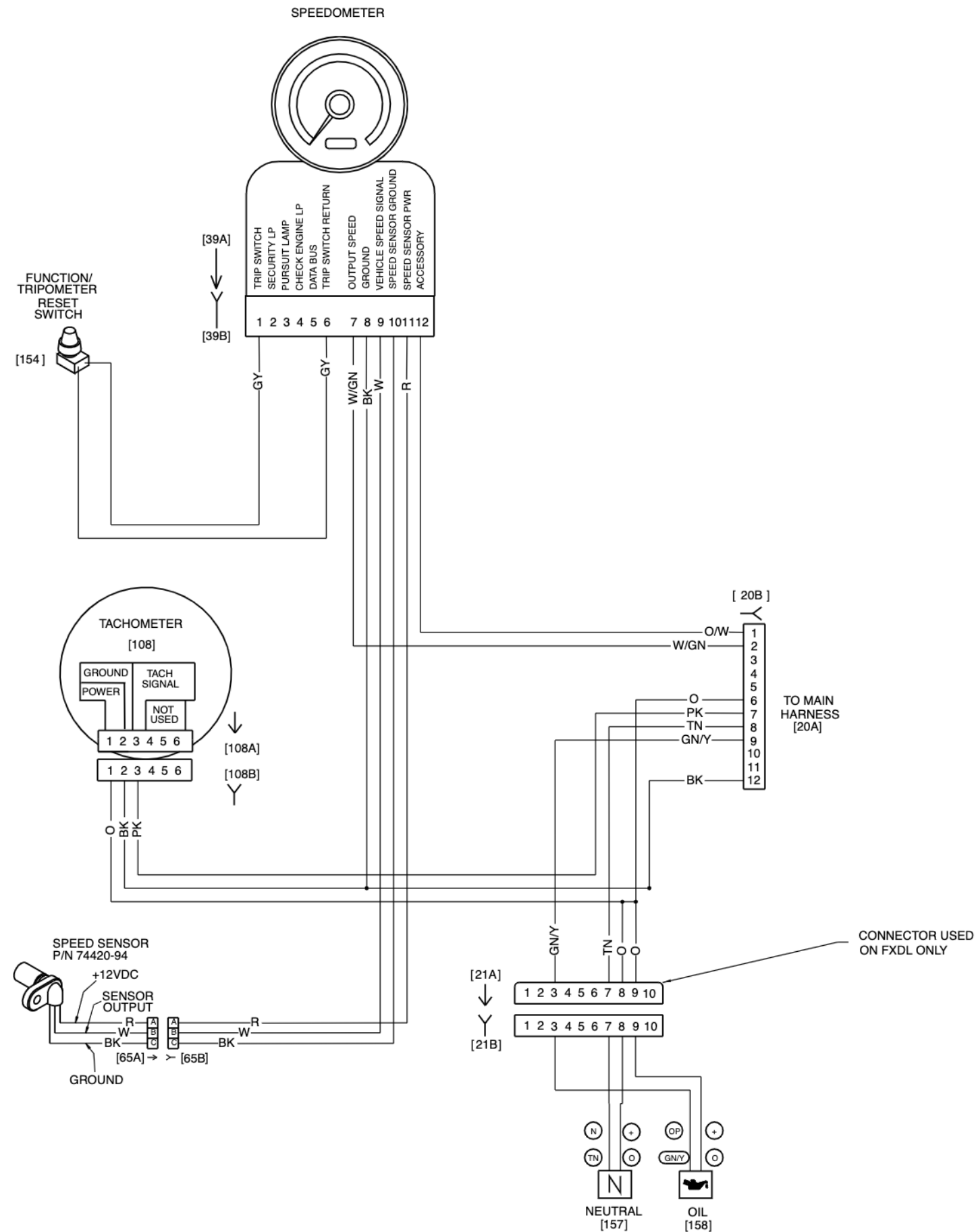
SWITCH POSITION	RED/BLACK	RED	RED/GRAY
OFF			
ACC.			
IGNITION			

DOT INDICATES CONTINUITY WITH RED WIRE IN SWITCH POSITION INDICATED

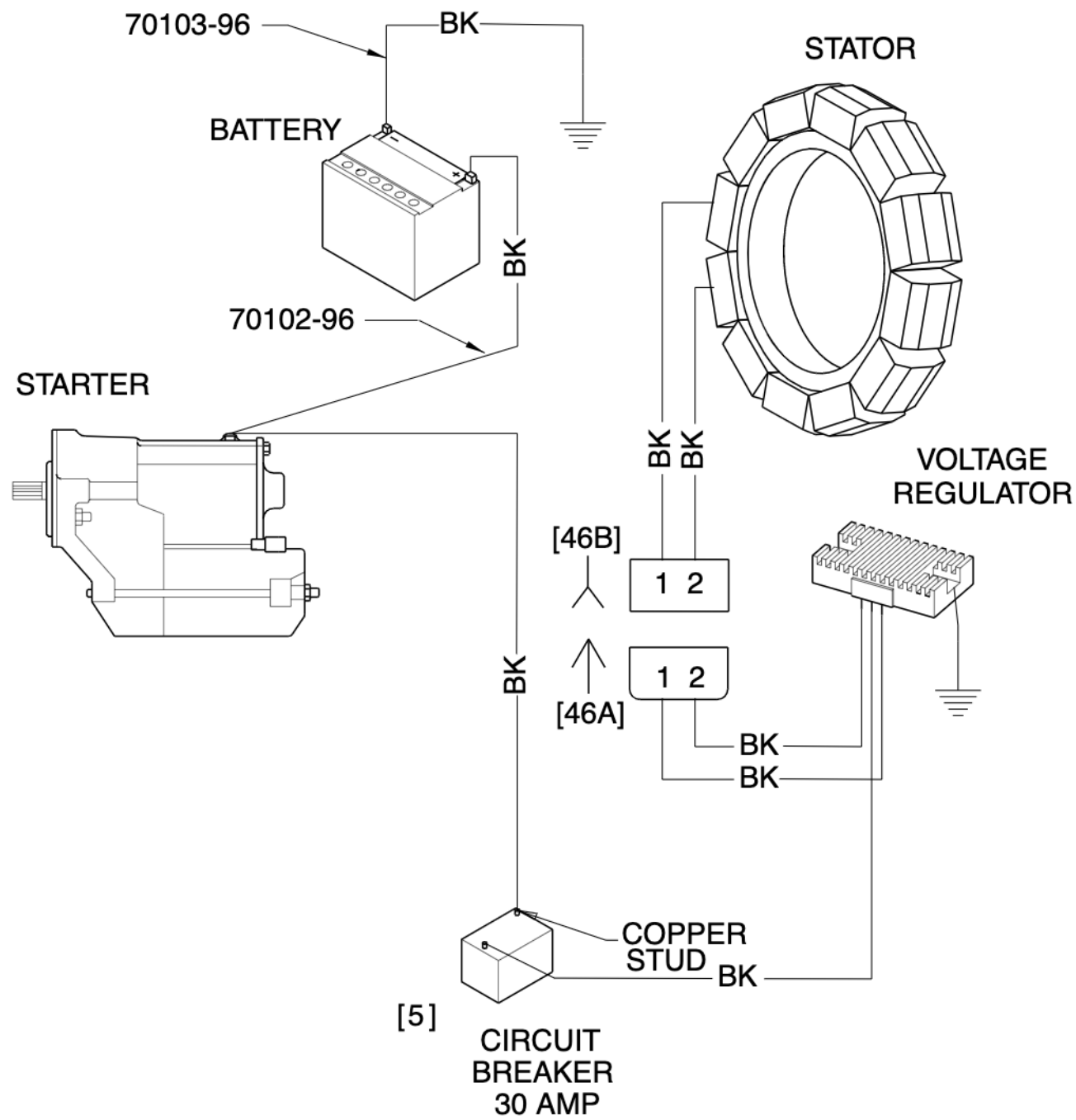




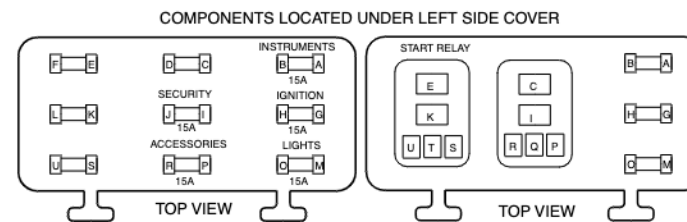
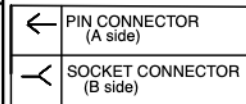




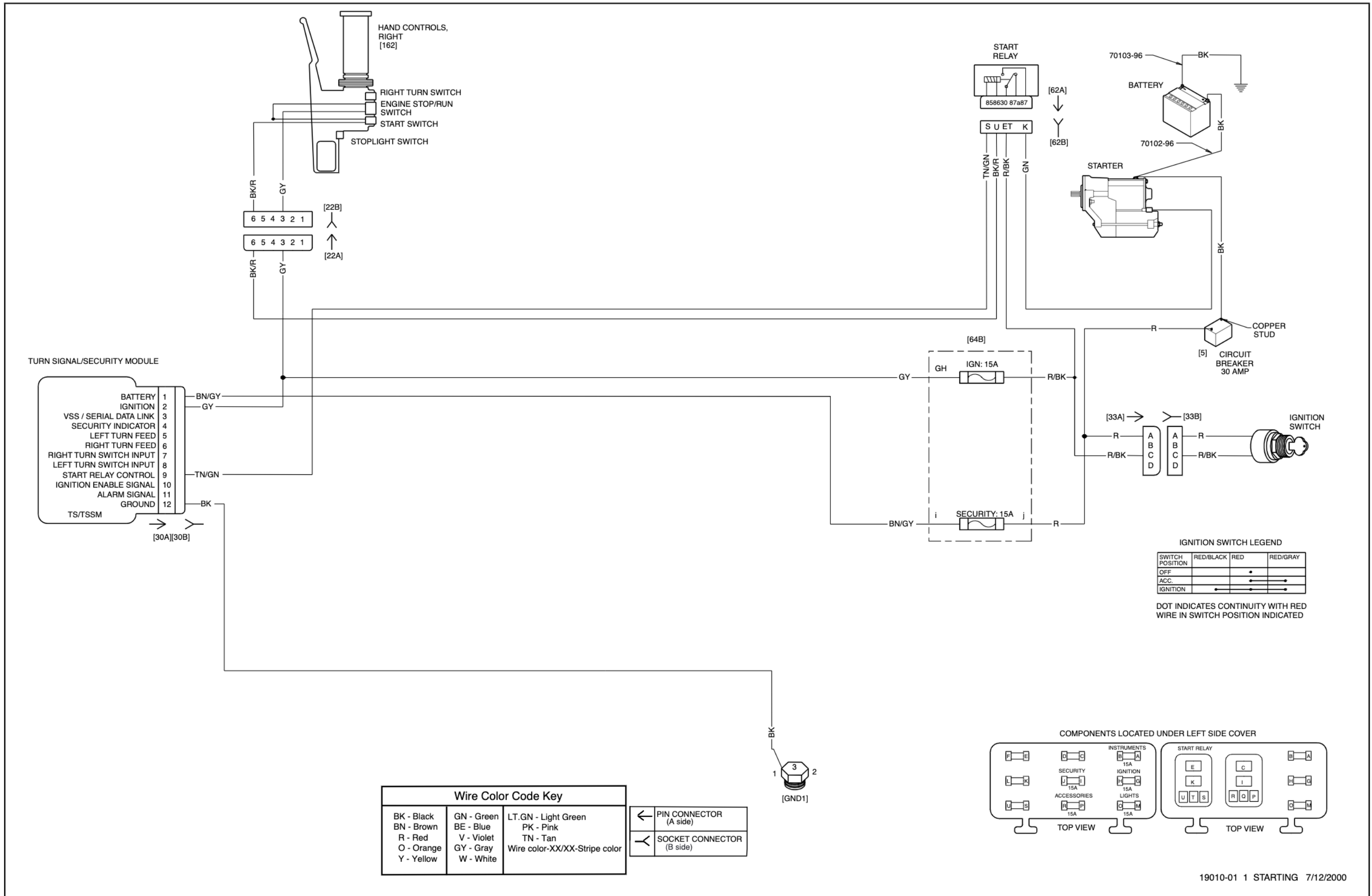
19010-01 2 horn / inst 7/12/2000

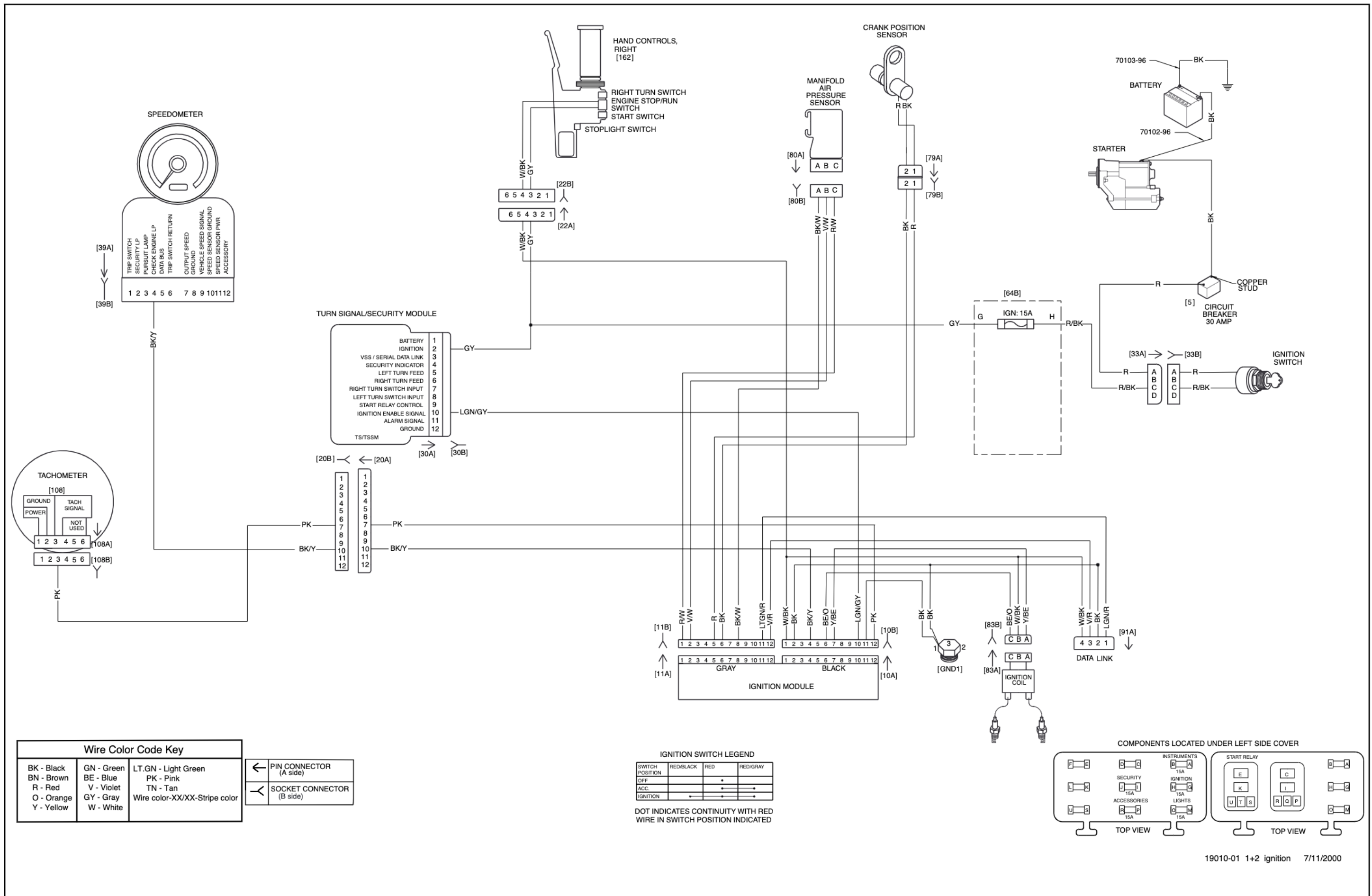


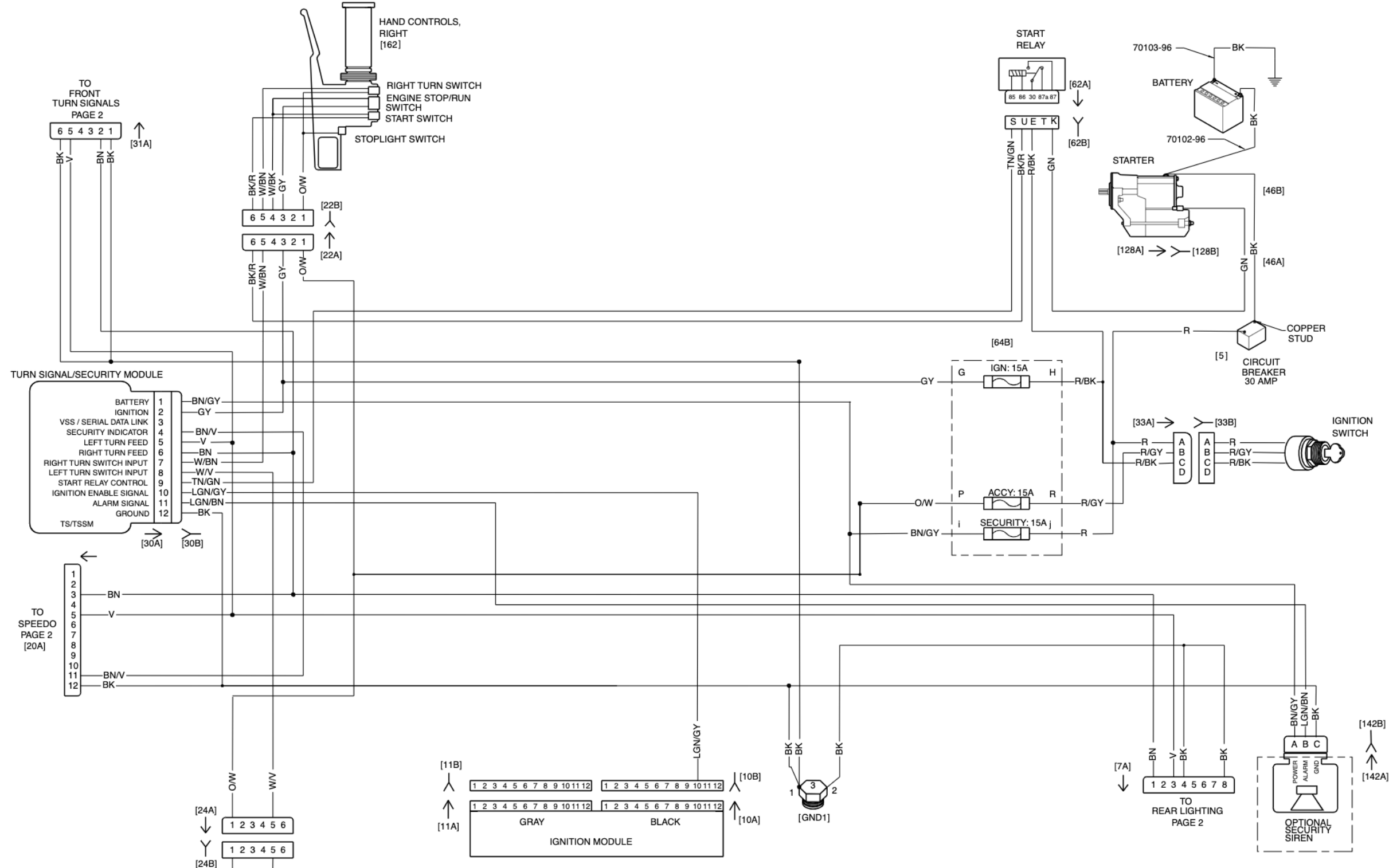
Wire Color Code Key		
BK - Black	GN - Green	LT.GN - Light Green
BN - Brown	BE - Blue	PK - Pink
R - Red	V - Violet	TN - Tan
O - Orange	GY - Gray	Wire color-XX/XX-Stripe color
Y - Yellow	W - White	



19010-01a 1 charge 7/13/2000







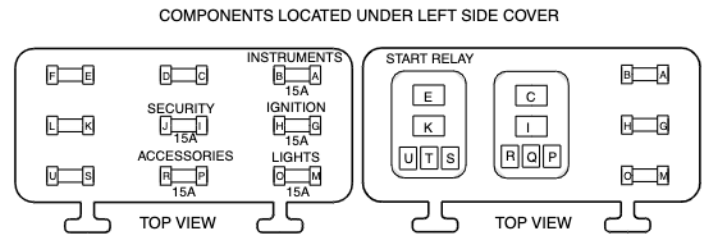
IGNITION SWITCH LEGEND

SWITCH POSITION	RED/BLACK	RED	RED/GRAY
OFF			
ACC.		•	•
IGNITION	•	•	•

DOT INDICATES CONTINUITY WITH RED WIRE IN SWITCH POSITION INDICATED

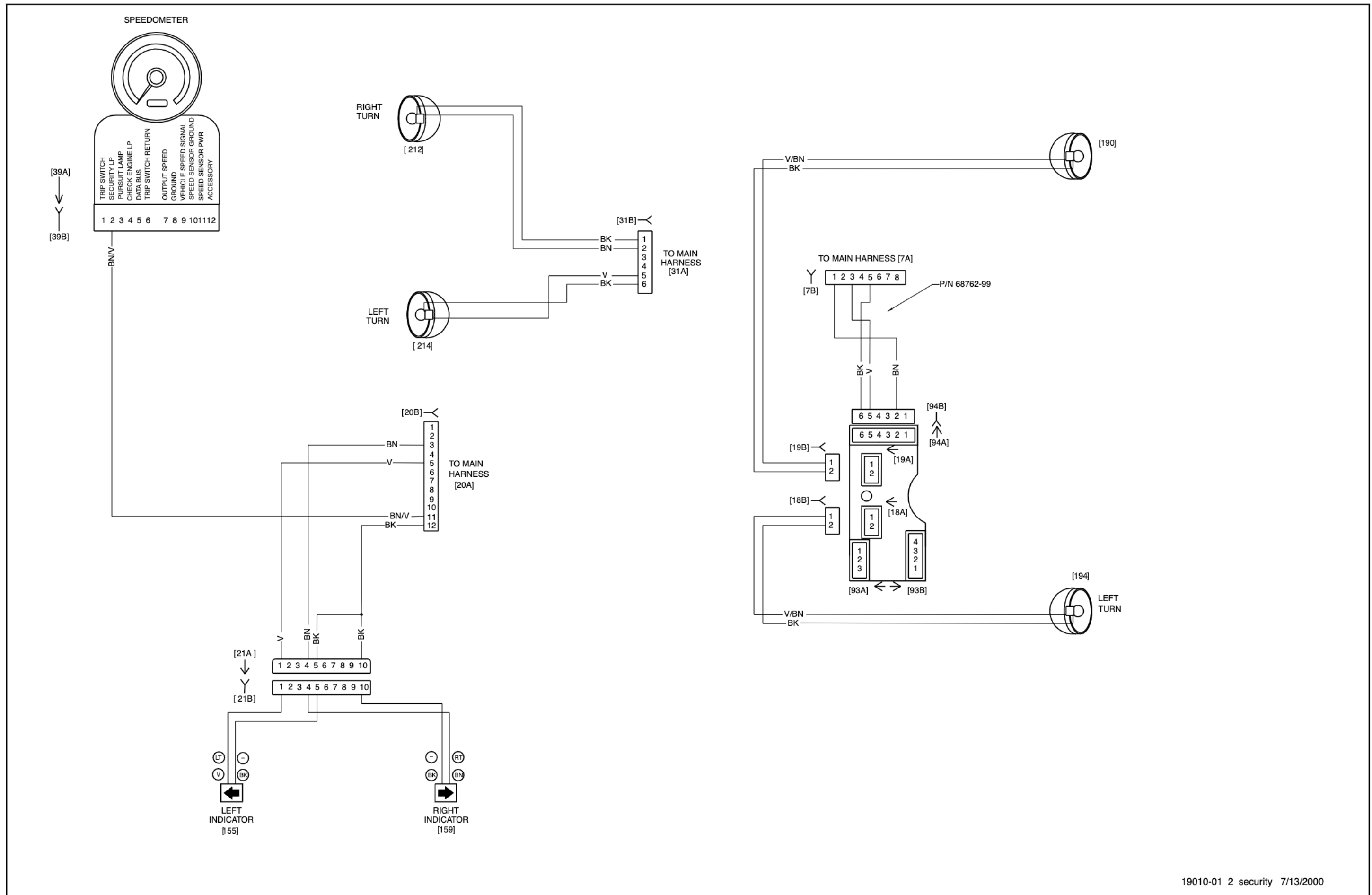
Wire Color Code Key

BK - Black	GN - Green	LT.GN - Light Green
BN - Brown	BE - Blue	PK - Pink
R - Red	V - Violet	TN - Tan
O - Orange	GY - Gray	Wire color-XX/XX-Stripe color
Y - Yellow	W - White	

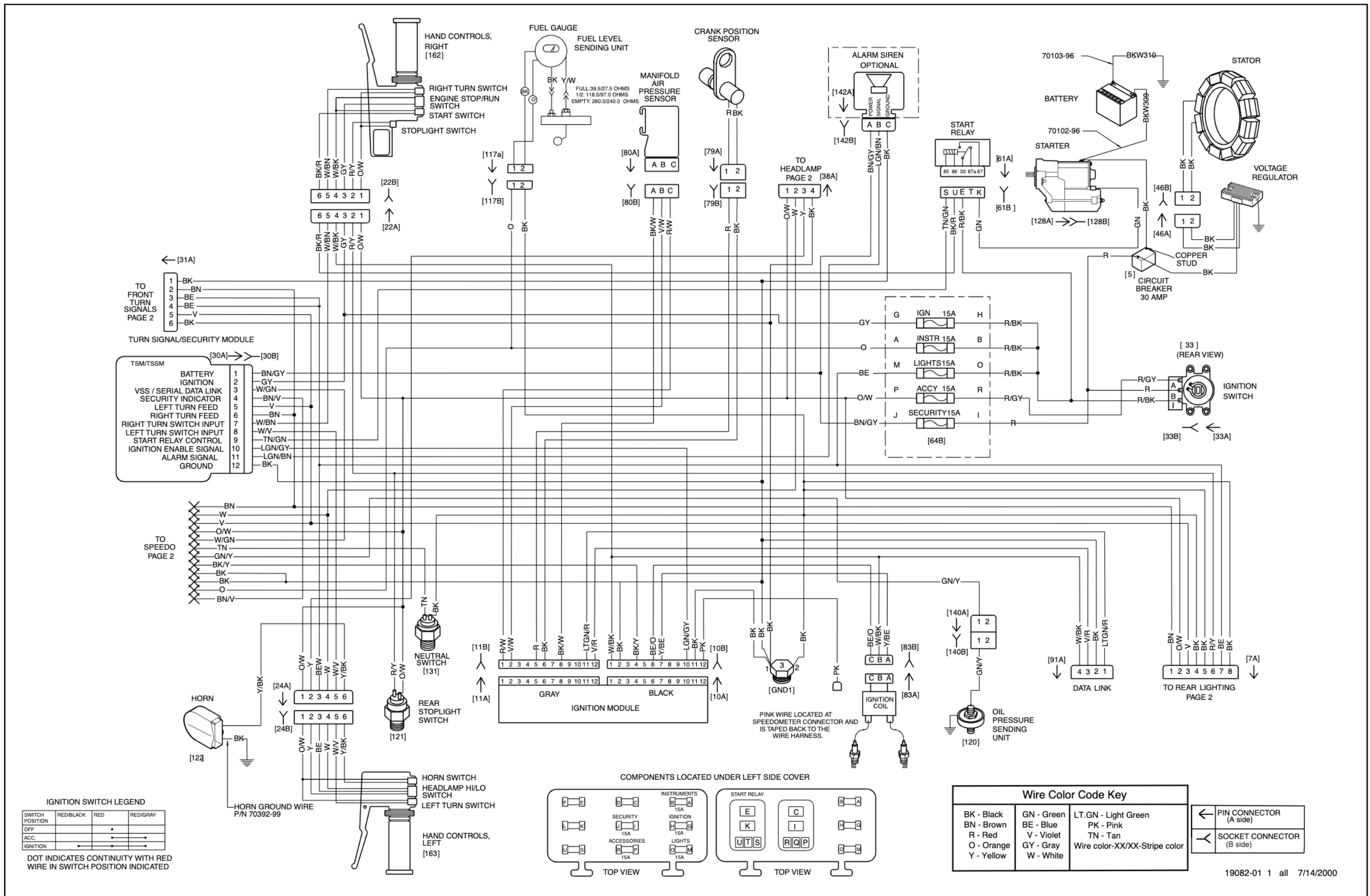


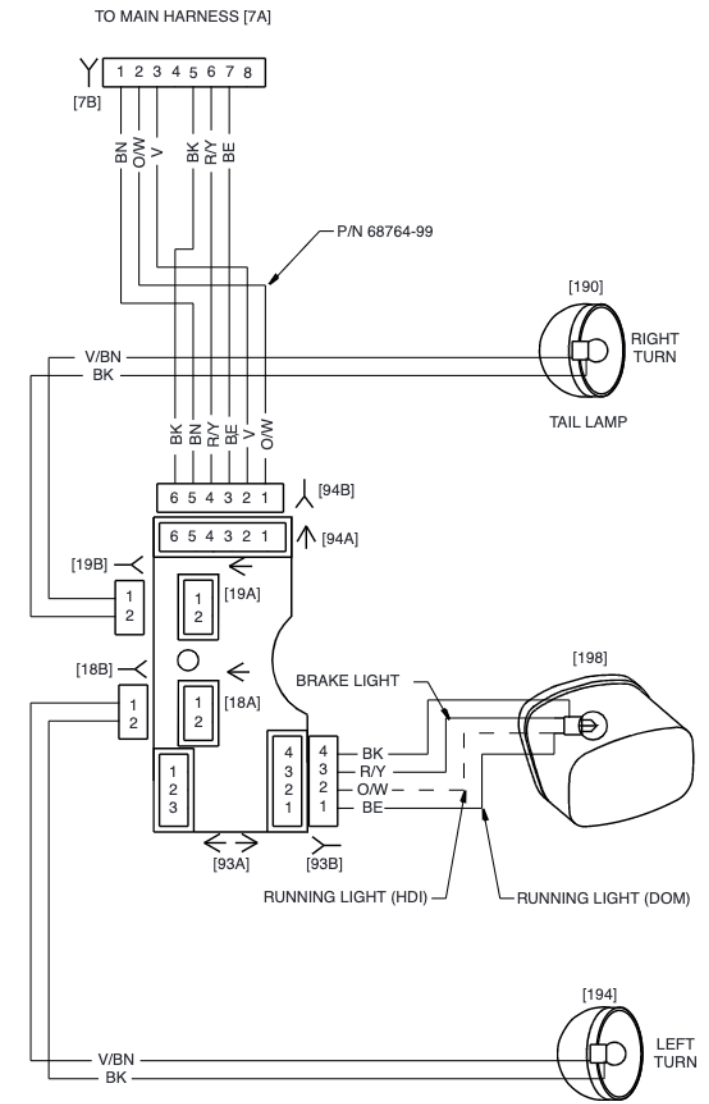
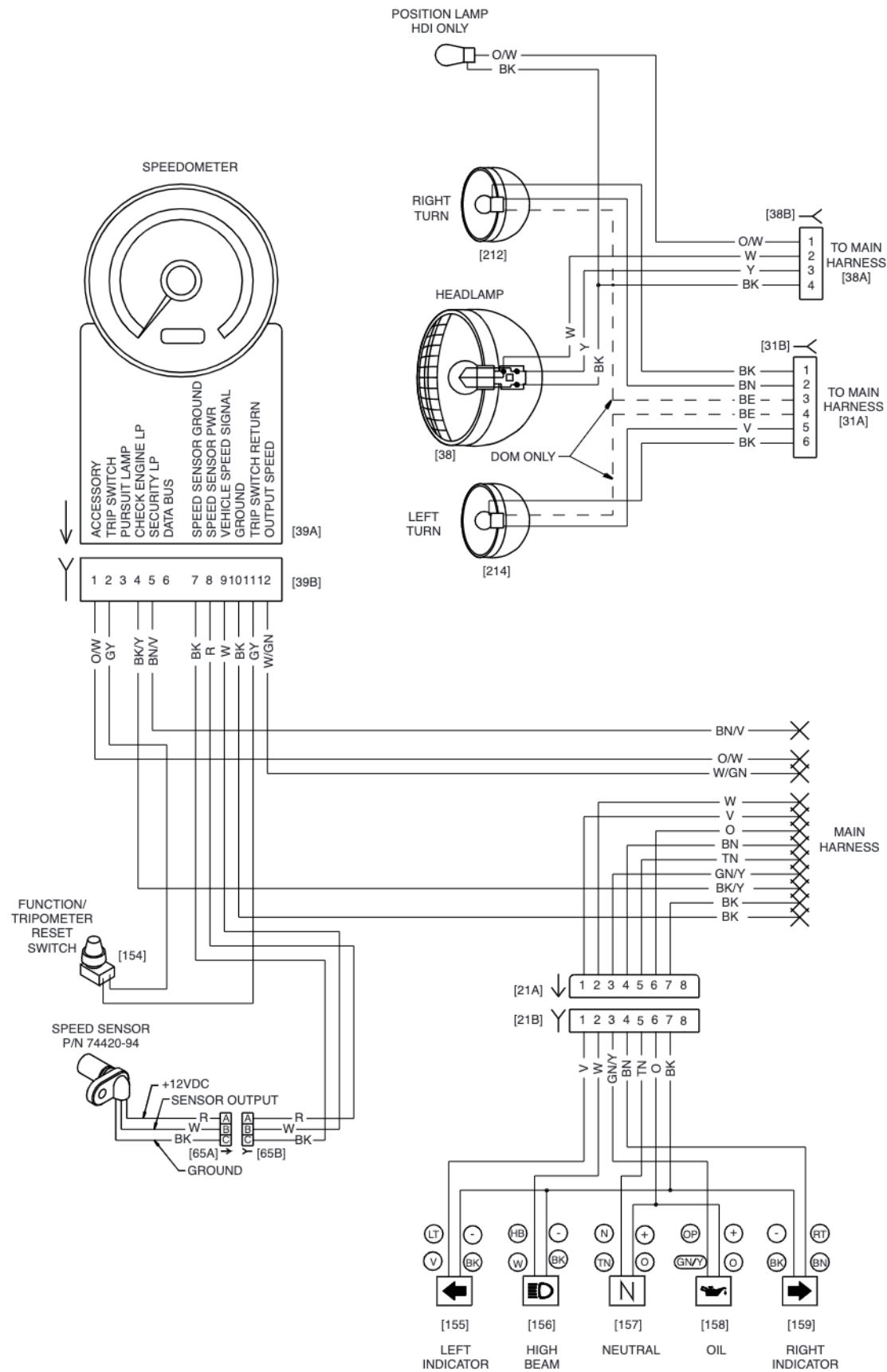
19010-01 1 security 7/12/2000

2003 ALL DYNA DOM. AND INT. MODELS (Except FXDWG), SECURITY, SHEET 10 OF 11

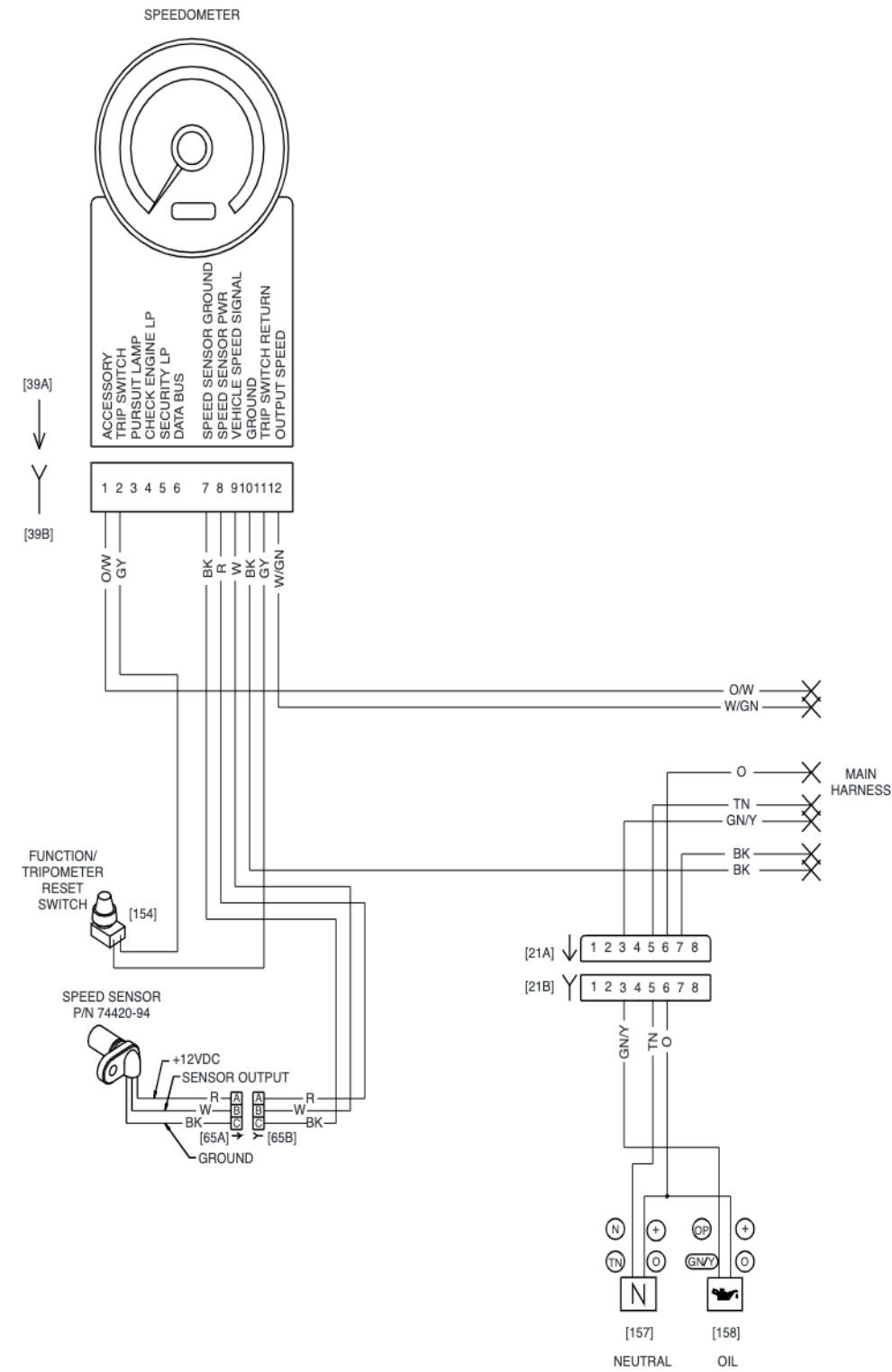


19010-01 2 security 7/13/2000

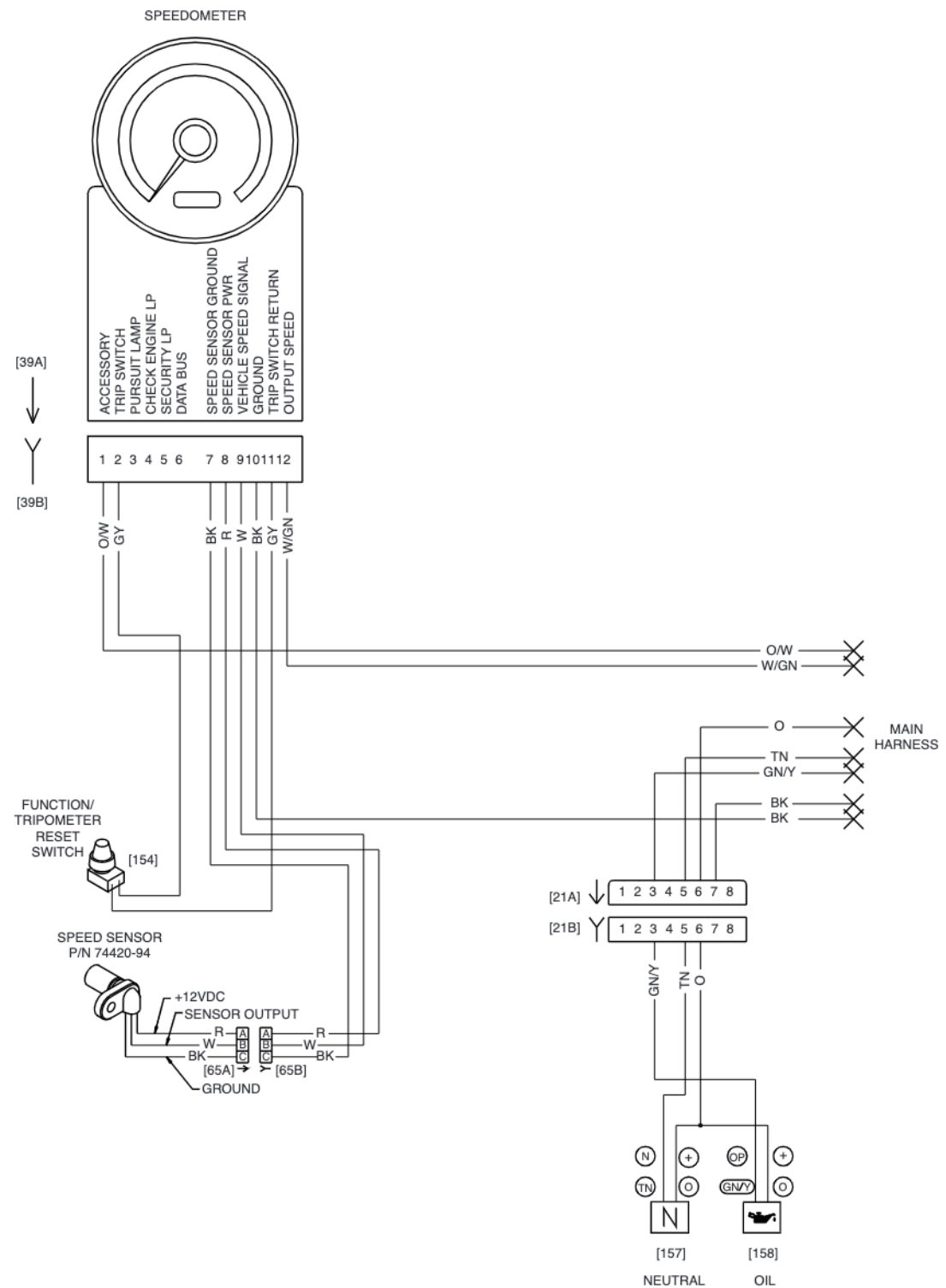




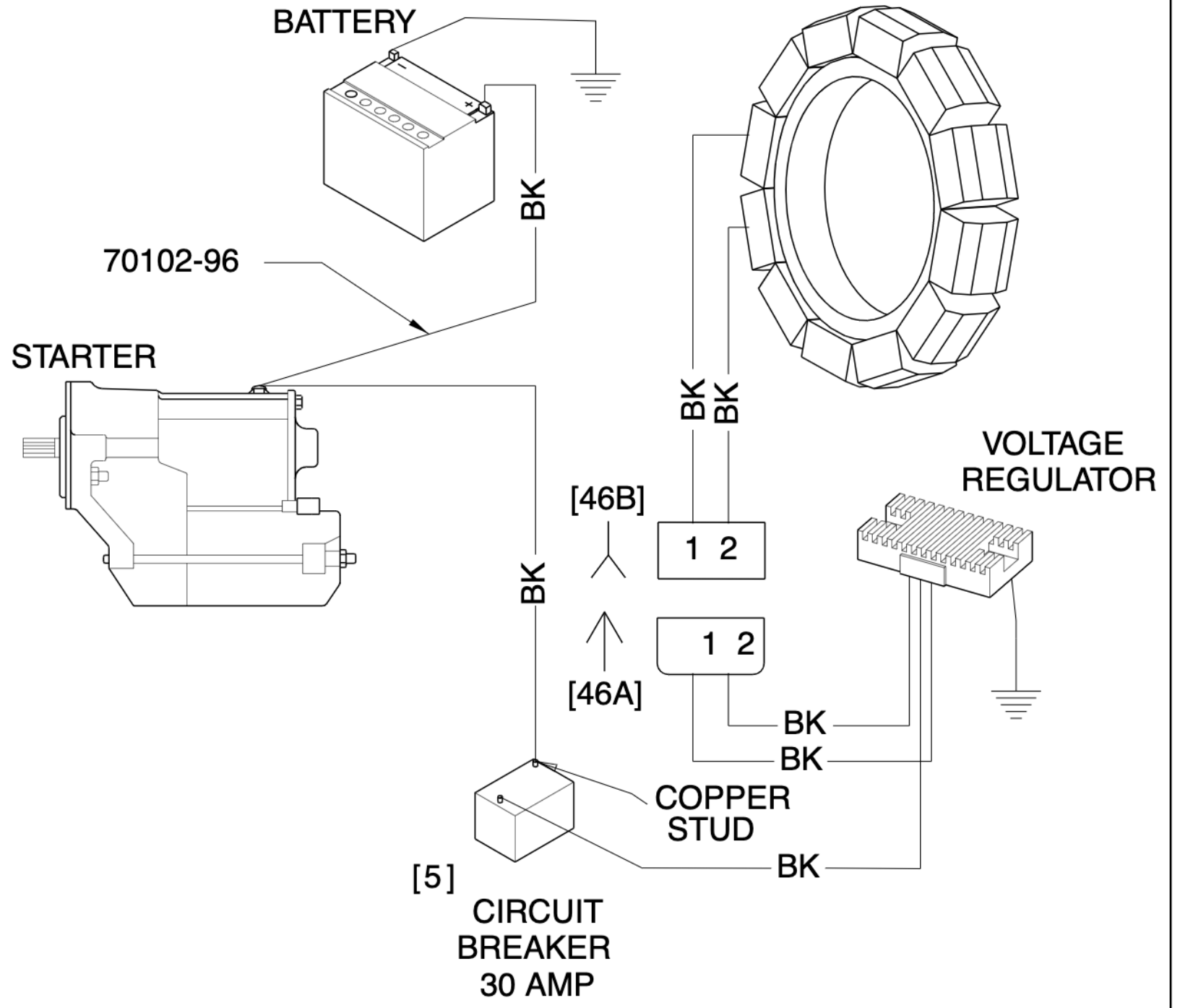
19082-01_2all 7/13/2000



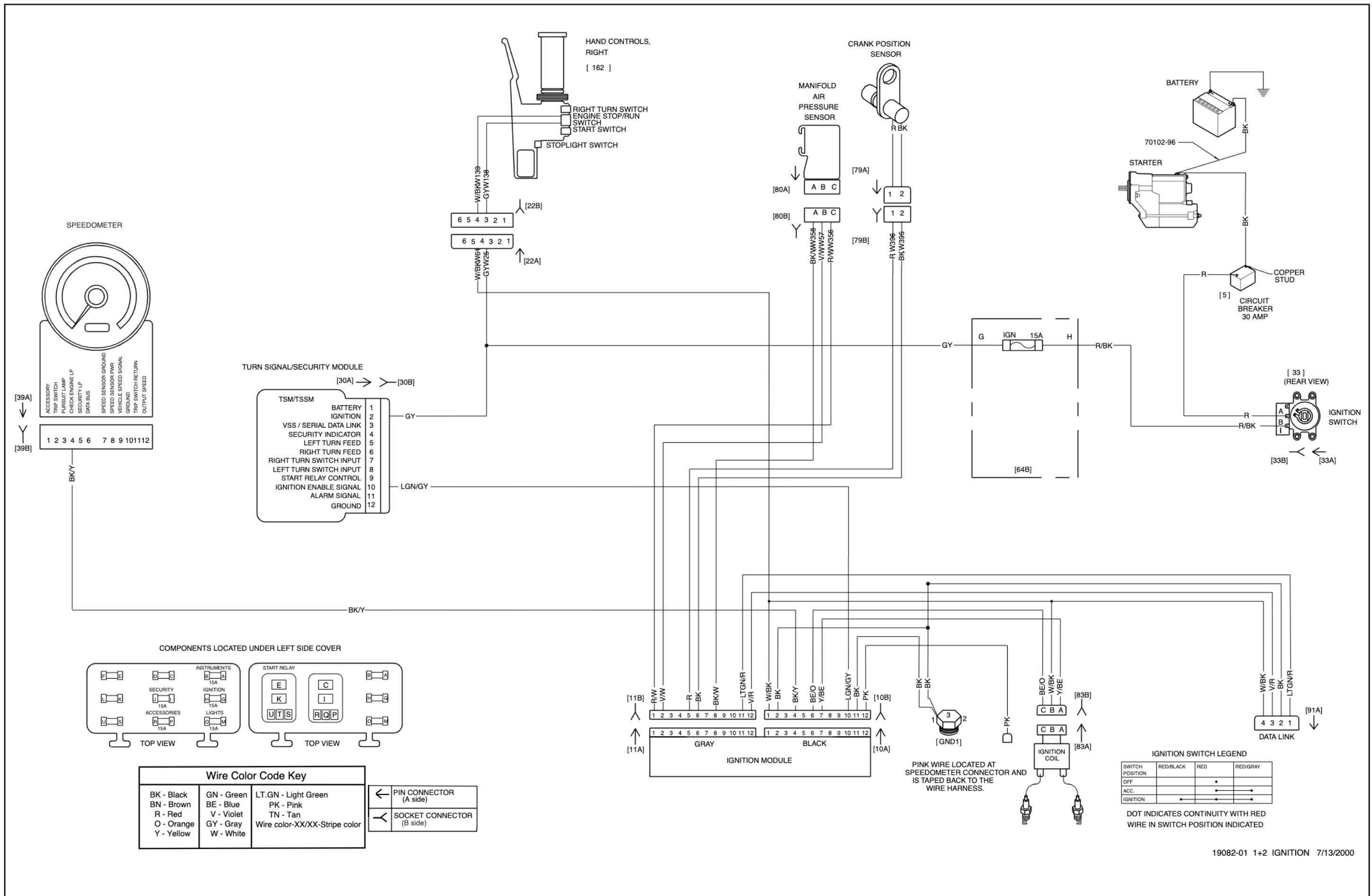
19082-01_2horn_inst 7/13/2000

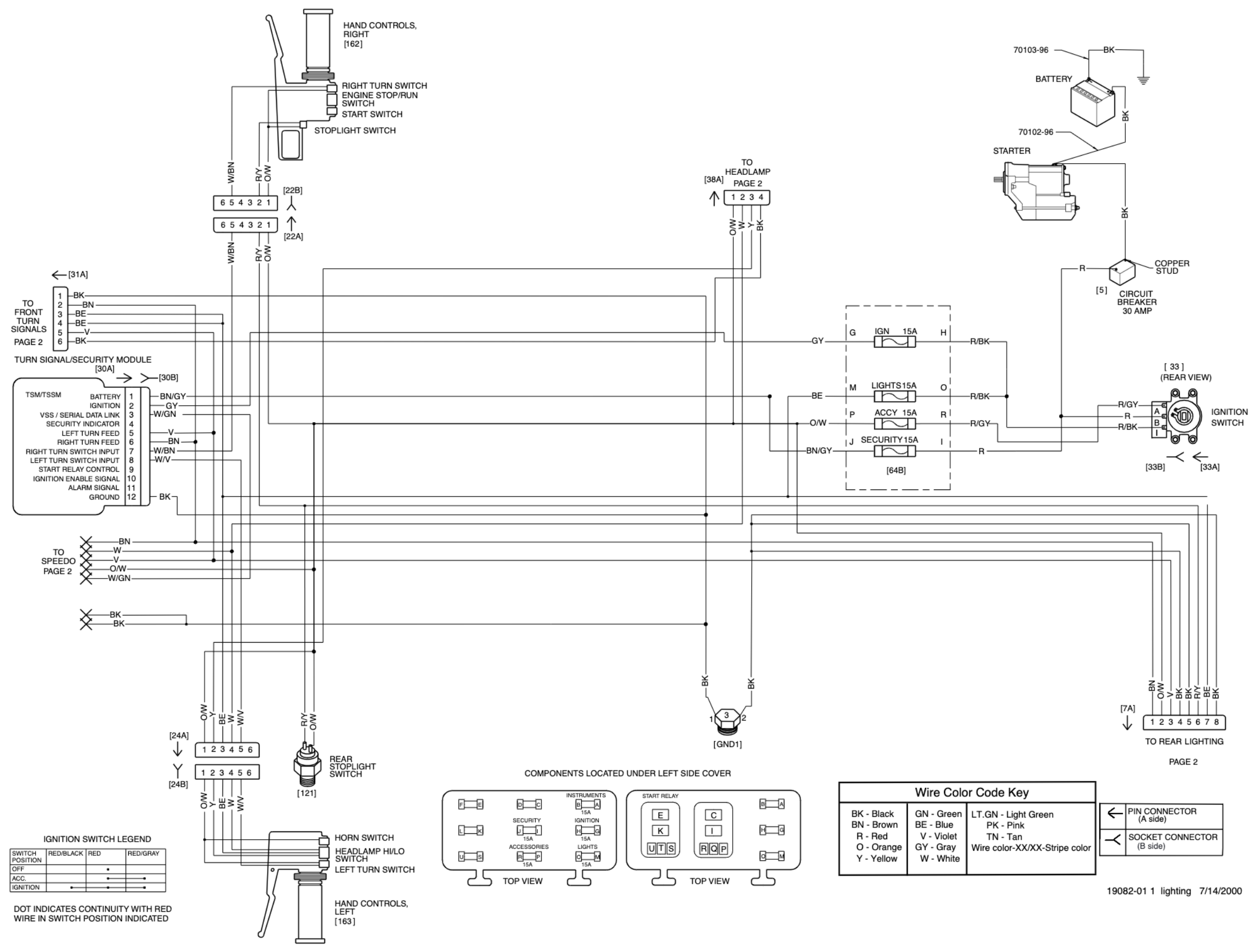


HORN & INSTRUMENTS



CHARGING CIRCUIT

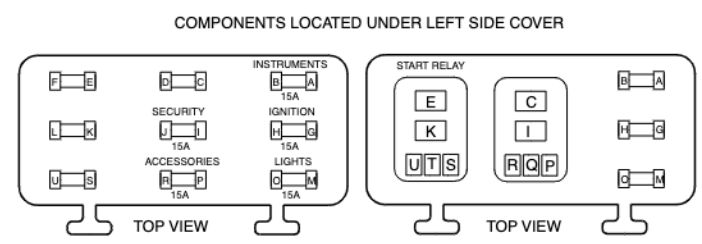




IGNITION SWITCH LEGEND

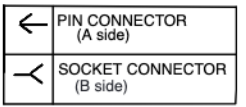
SWITCH POSITION	RED/BLACK	RED	RED/GRAY
OFF		*	
ACC.	→	→	→
IGNITION	→	→	→

DOT INDICATES CONTINUITY WITH RED WIRE IN SWITCH POSITION INDICATED

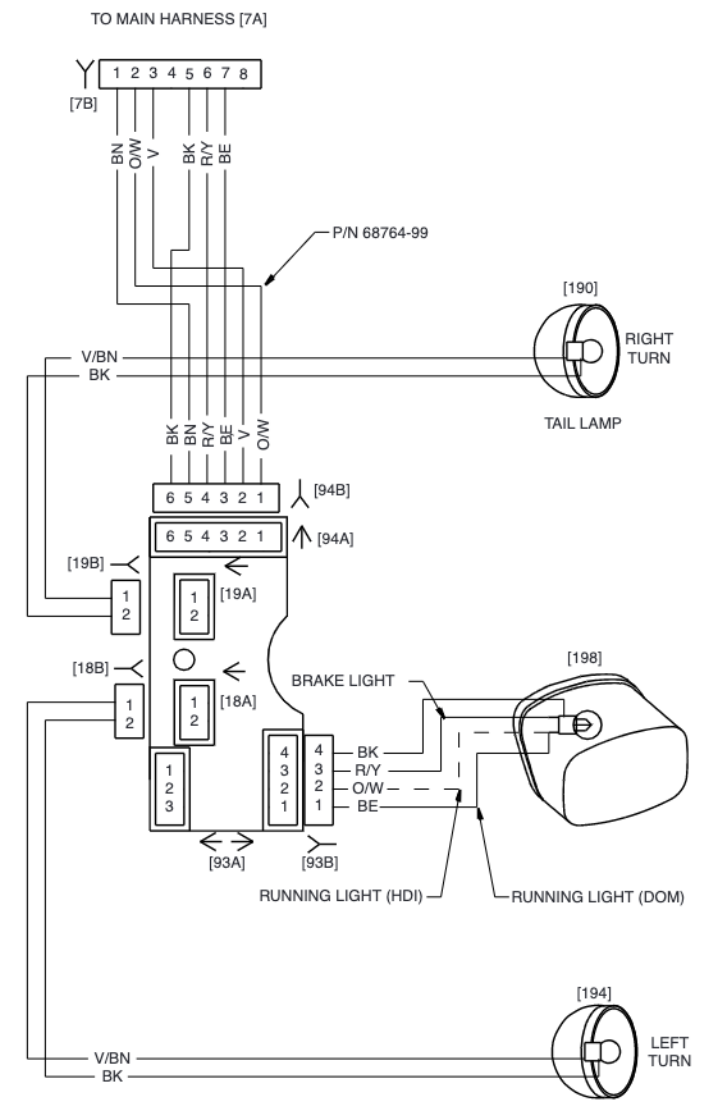
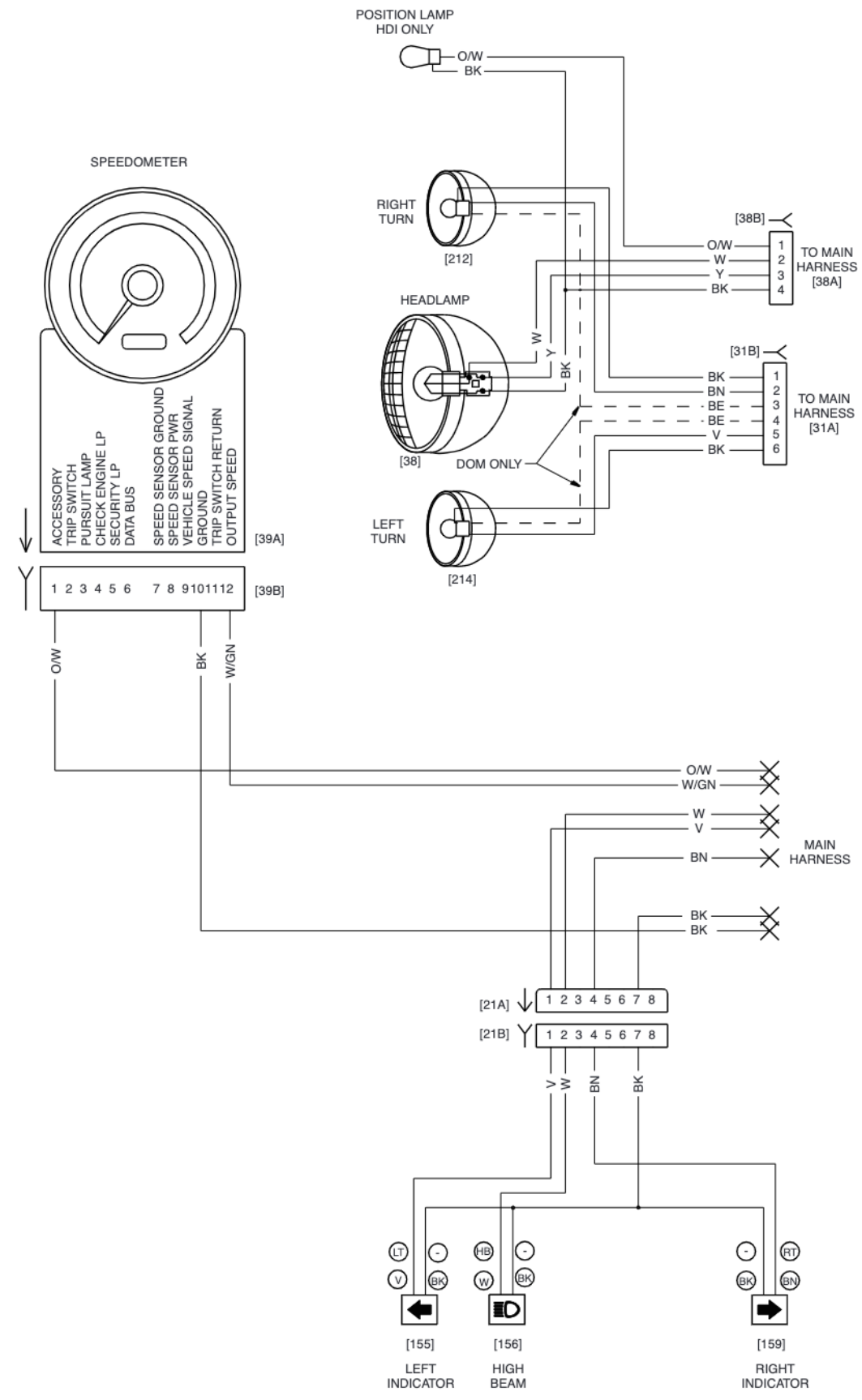


Wire Color Code Key

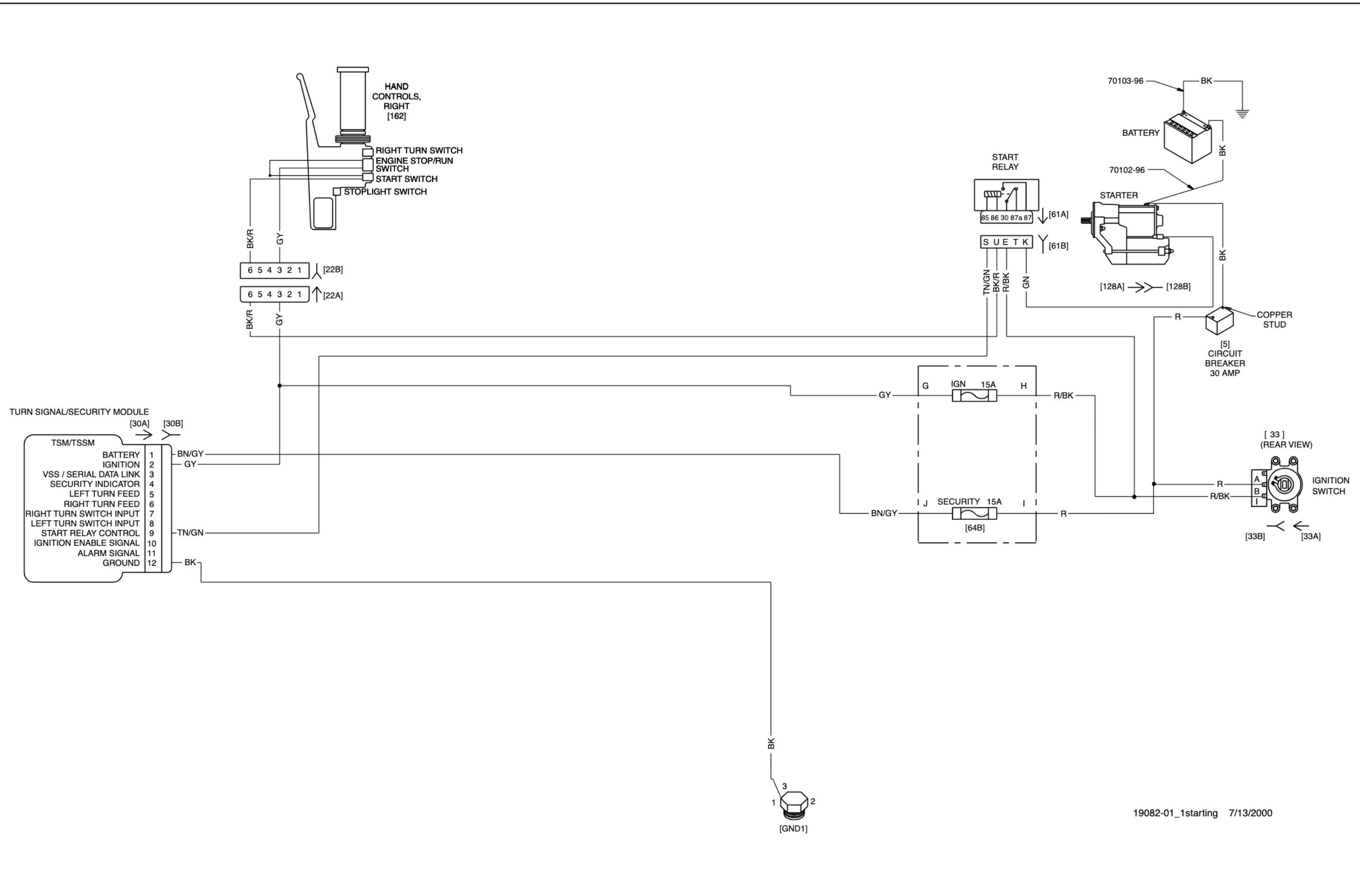
BK - Black	GN - Green	LT.GN - Light Green
BN - Brown	BE - Blue	PK - Pink
R - Red	V - Violet	TN - Tan
O - Orange	GY - Gray	Wire color-XX/XX-Stripe color
Y - Yellow	W - White	



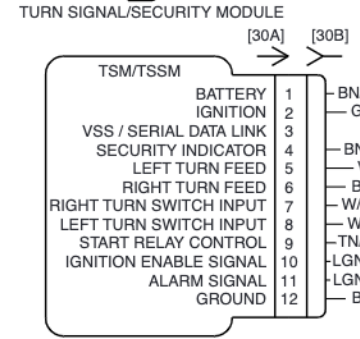
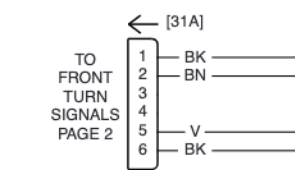
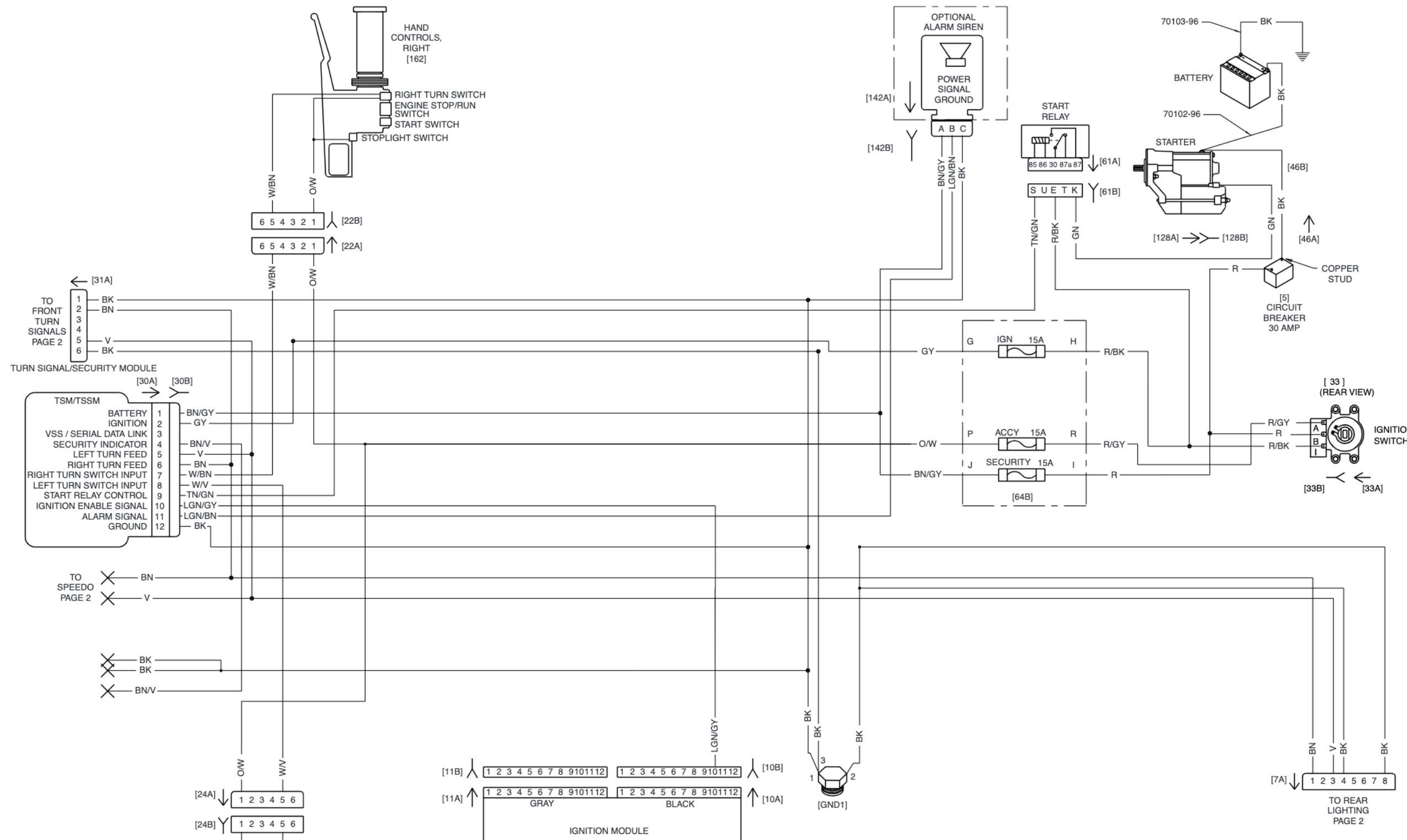
19082-01 1 lighting 7/14/2000



19082-01_lighting 7/13/2000

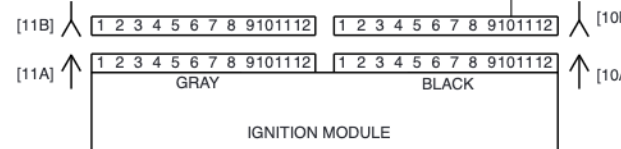
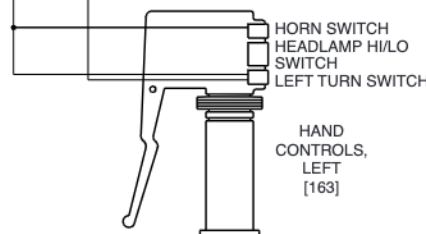


19082-01_1starting 7/13/2000

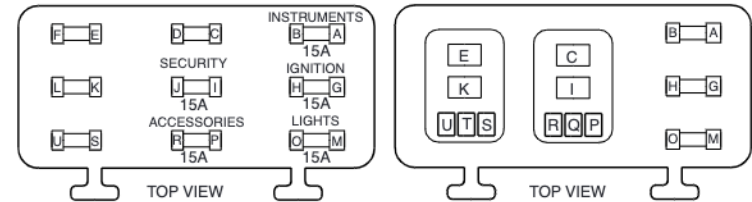


IGNITION SWITCH LEGEND			
SWITCH POSITION	RED/BLACK	RED	RED/GRAY
OFF		*	
ACC.		→	→
IGNITION	→	→	→

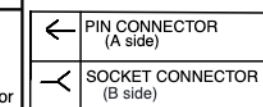
DOT INDICATES CONTINUITY WITH RED WIRE IN SWITCH POSITION INDICATED

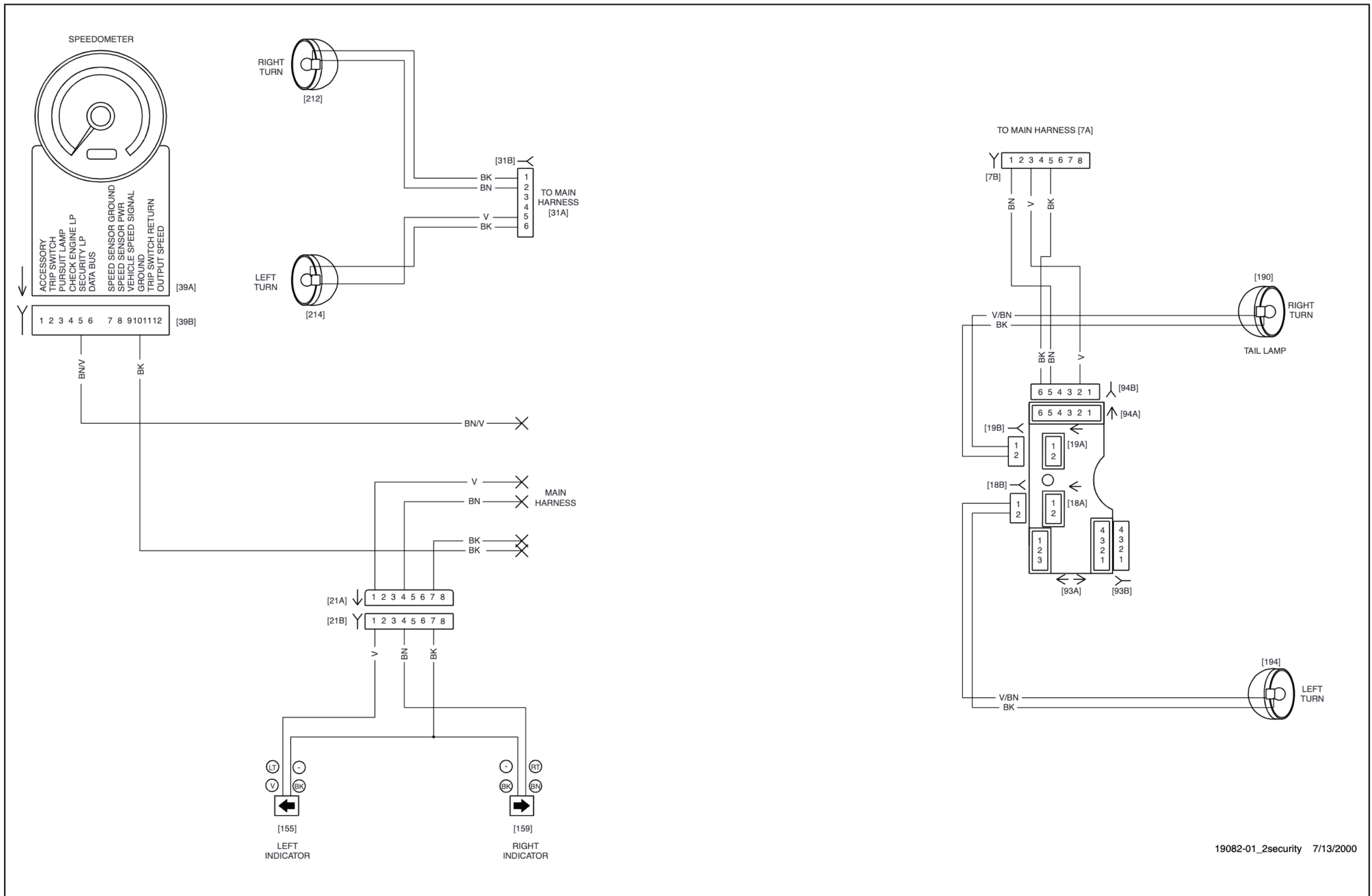


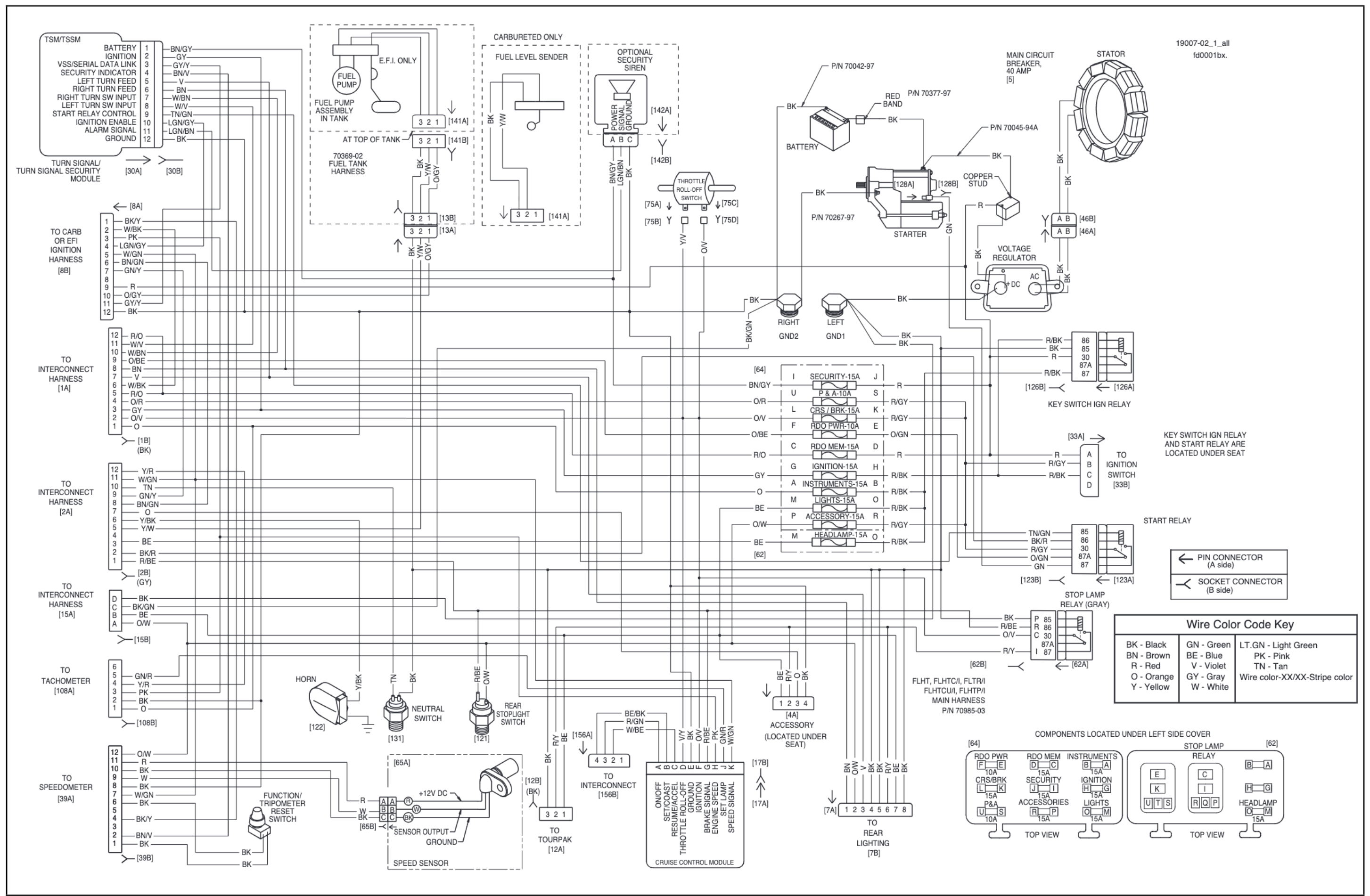
COMPONENTS LOCATED UNDER LEFT SIDE COVER



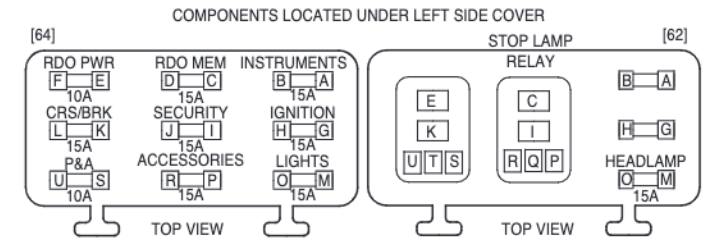
Wire Color Code Key		
BK - Black	GN - Green	LT.GN - Light Green
BN - Brown	BE - Blue	PK - Pink
R - Red	V - Violet	TN - Tan
O - Orange	GY - Gray	Wire color-XX/XX-Stripe color
Y - Yellow	W - White	



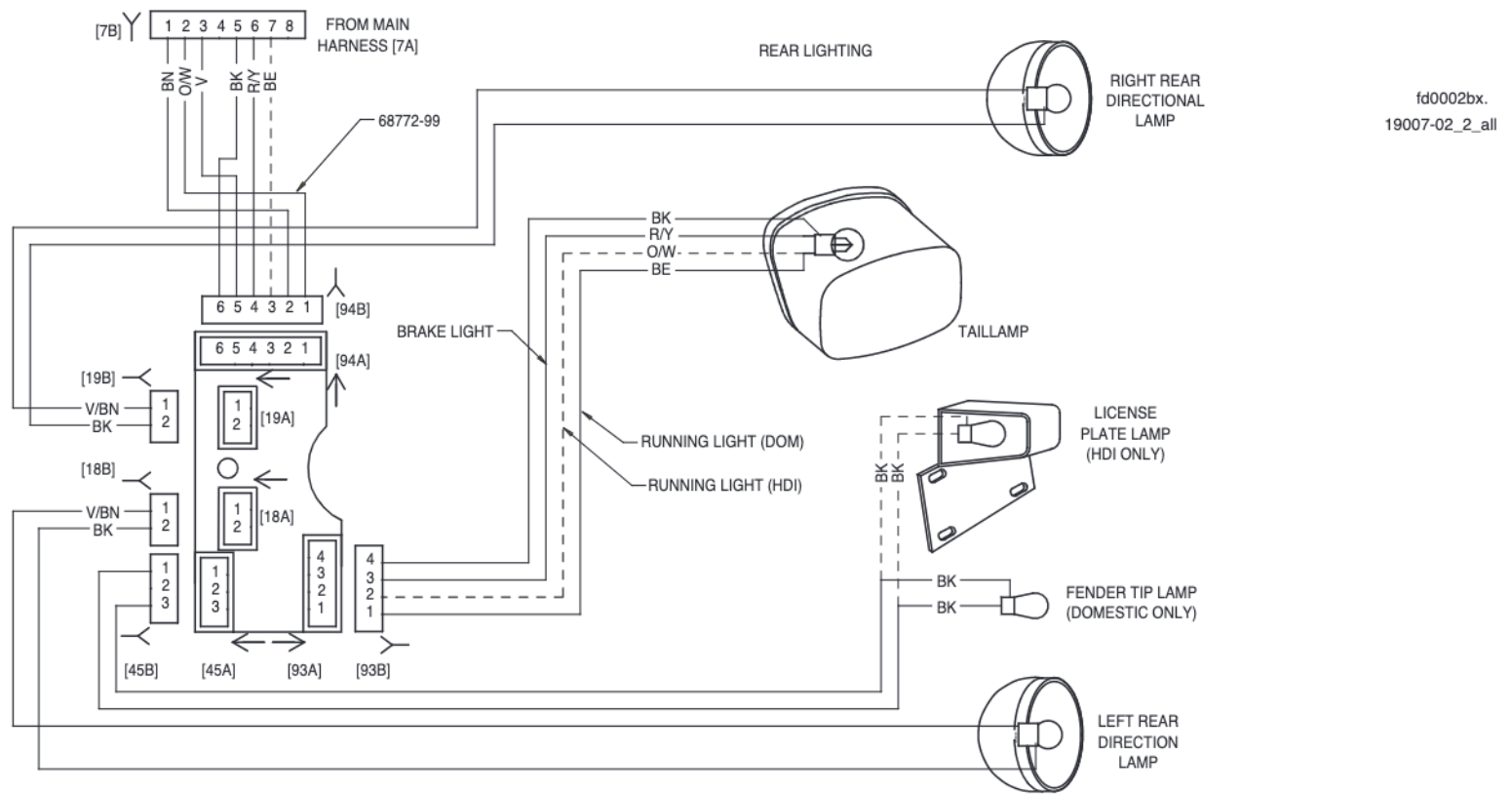
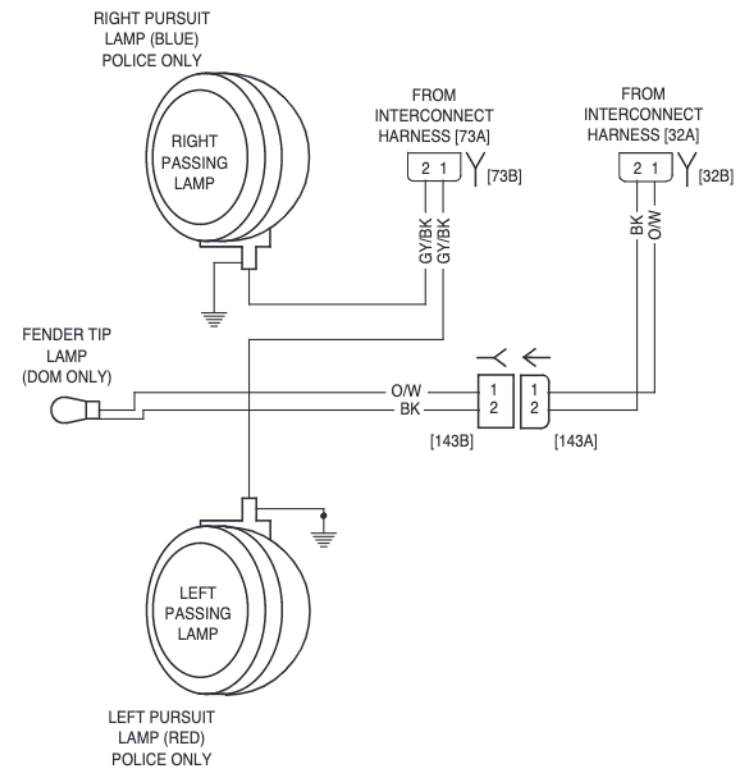




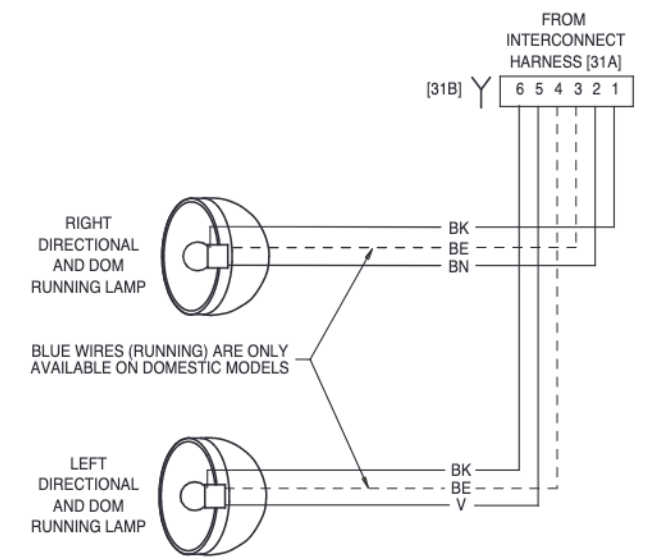
Wire Color Code Key		
BK - Black	GN - Green	LT.GN - Light Green
BN - Brown	BE - Blue	PK - Pink
R - Red	V - Violet	TN - Tan
O - Orange	GY - Gray	Wire color-XX/XX-Stripe color
Y - Yellow	W - White	



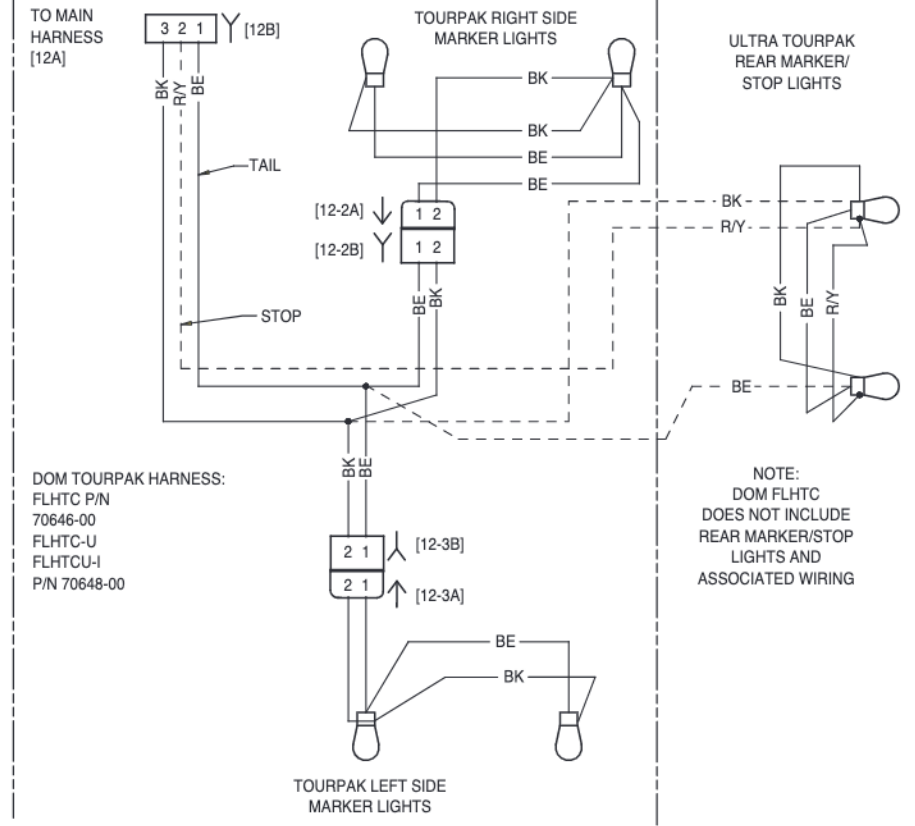
2003 FLT DOMESTIC and INTERNATIONAL MODELS, MAIN HARNESS, SHEET 1 OF 8



fd0002bx.
19007-02_2_all



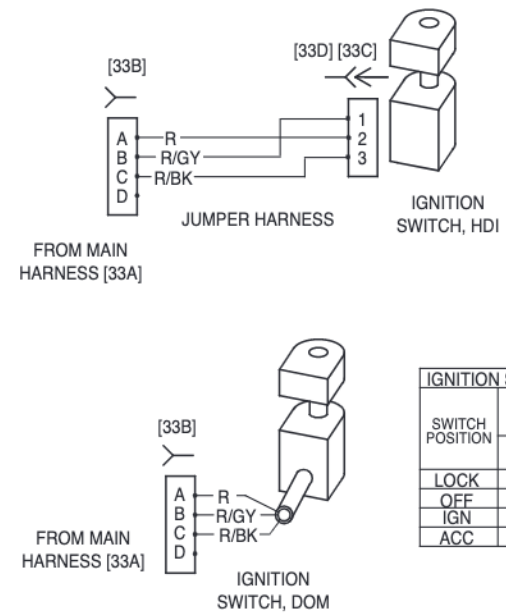
BLUE WIRES (RUNNING) ARE ONLY AVAILABLE ON DOMESTIC MODELS



DOM TOURPAK HARNESS:
FLHTC P/N 70646-00
FLHTC-U
FLHTCU-I
P/N 70648-00

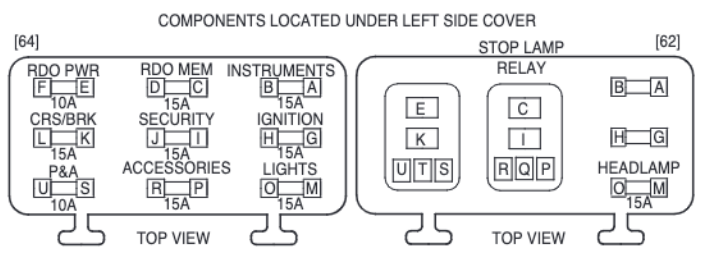
NOTE:
DOM FLHTC DOES NOT INCLUDE REAR MARKER/STOP LIGHTS AND ASSOCIATED WIRING

HDI FLHTC AND FLHTCU MODELS DO NOT HAVE TOURPAK LIGHTING
TOURPAK NOT INCLUDED ON FLHT OR FLHTP-FRG

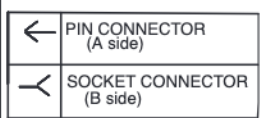


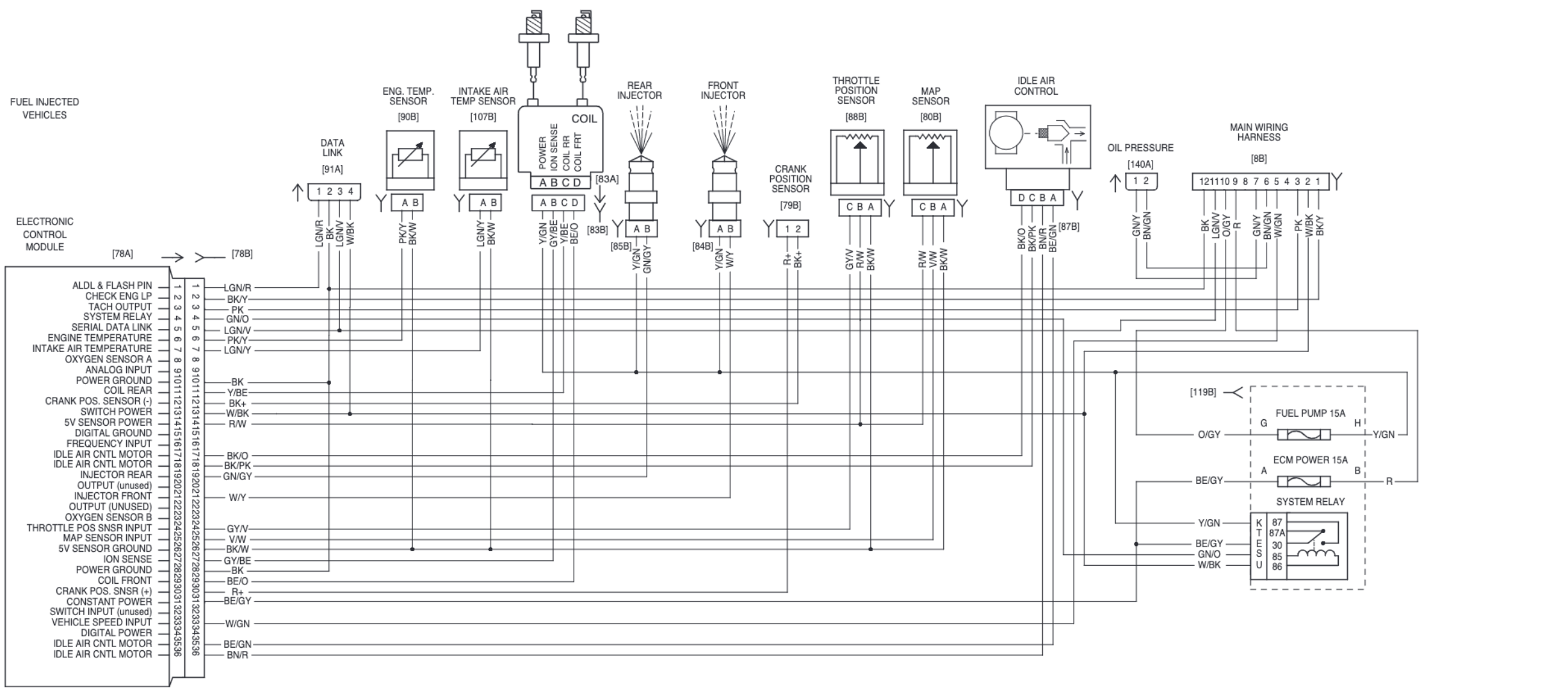
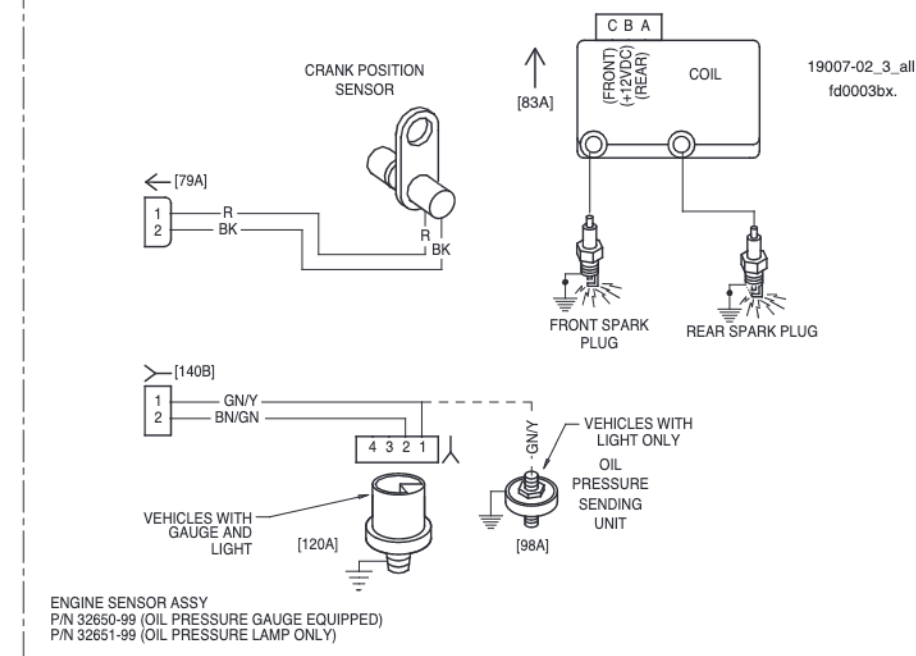
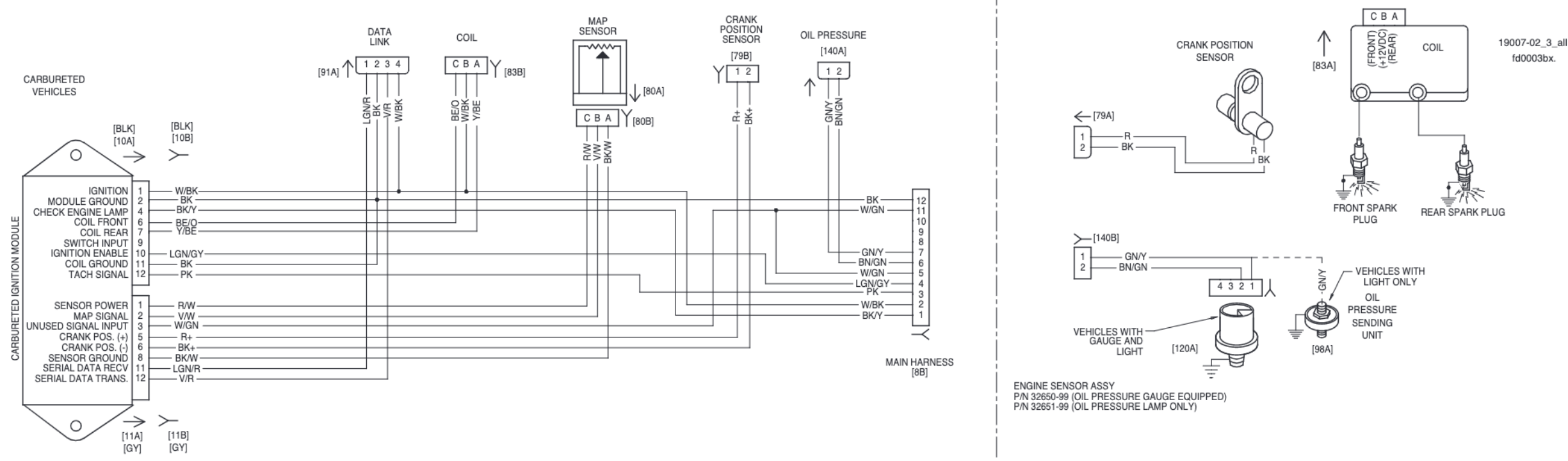
SWITCH POSITION	"X" INDICATES CONTINUITY BETWEEN LEAD WIRES IN POSITION INDICATED		
	RED	RED/GRAY	RED/BLACK
LOCK	X		
OFF	X		
IGN	X	X	X
ACC	X	X	

SWITCH POSITION	"X" INDICATES CONTINUITY BETWEEN LEAD WIRES IN POSITION INDICATED		
	RED	RED/GRAY	RED/BLACK
LOCK	X		
OFF	X		
IGN	X	X	X
ACC	X	X	

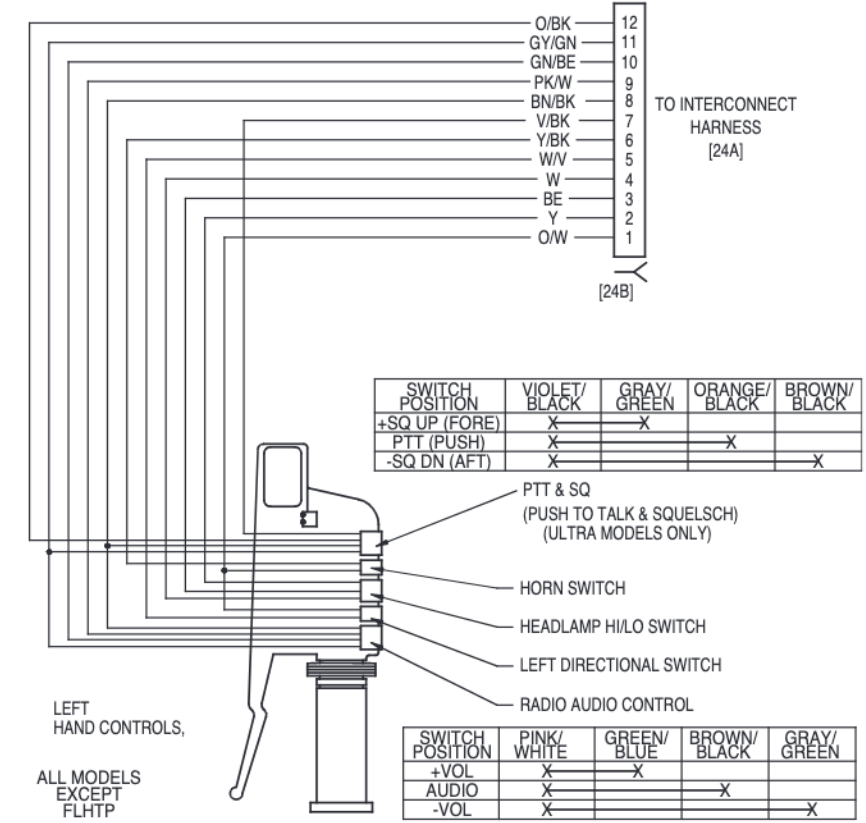
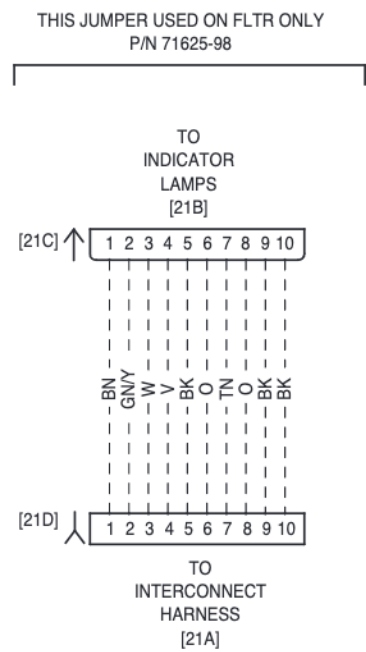
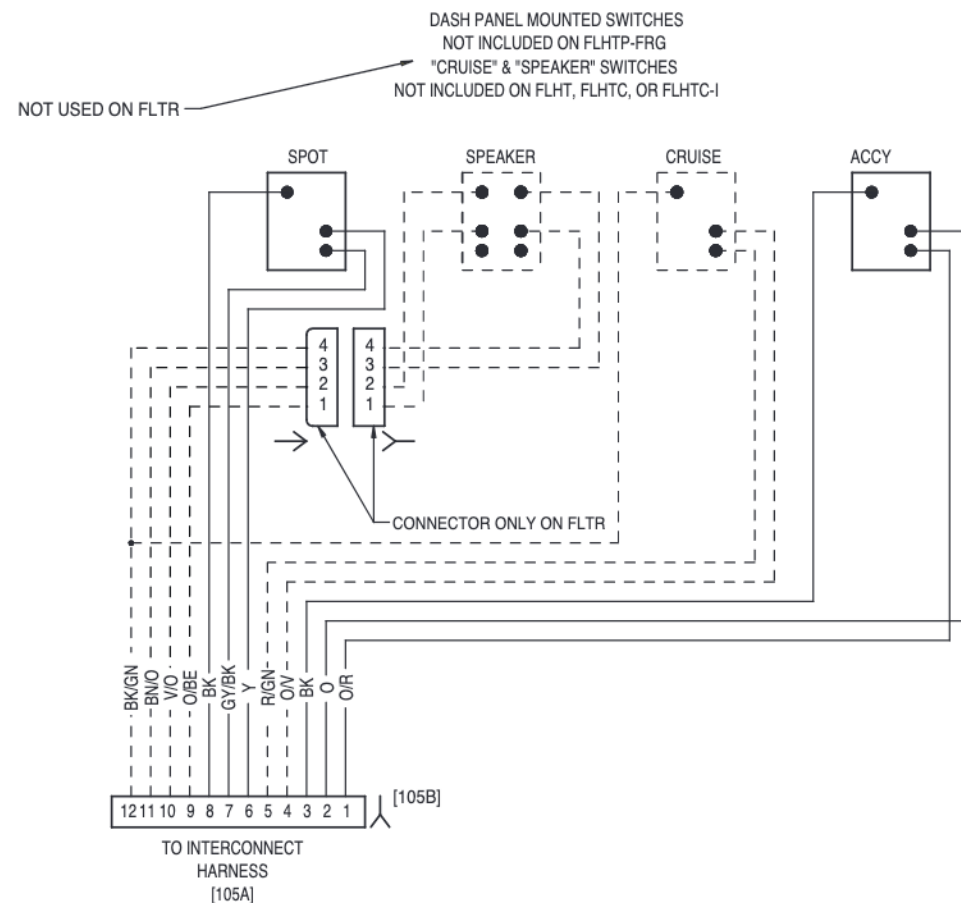
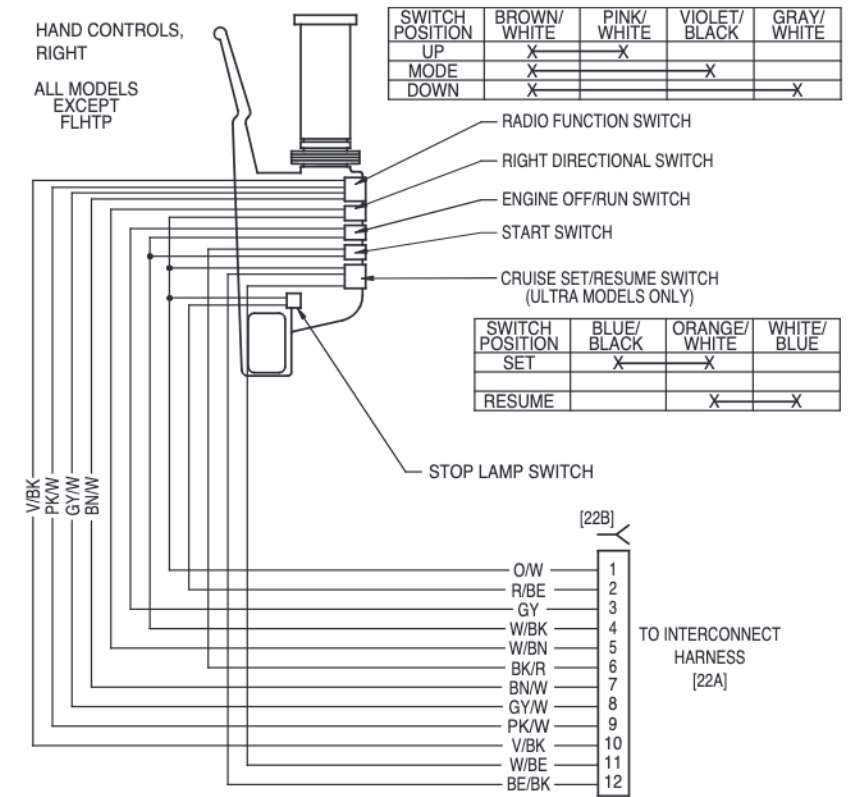
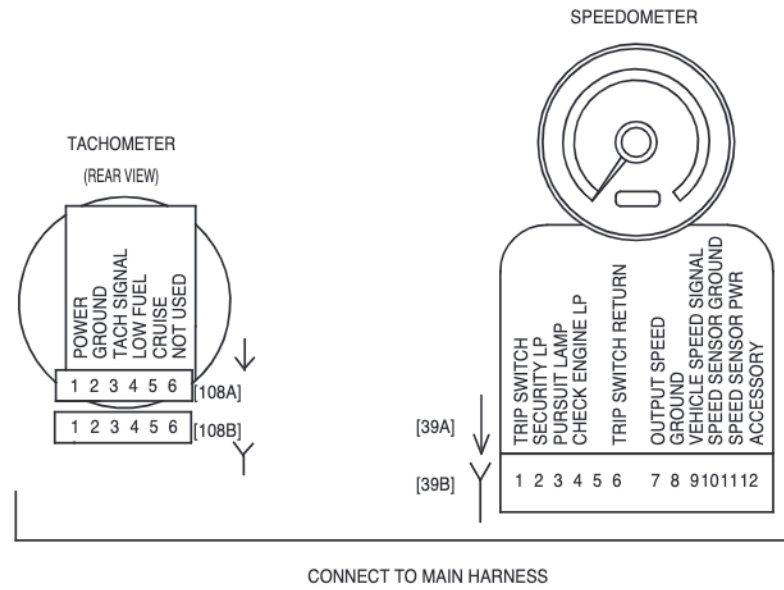
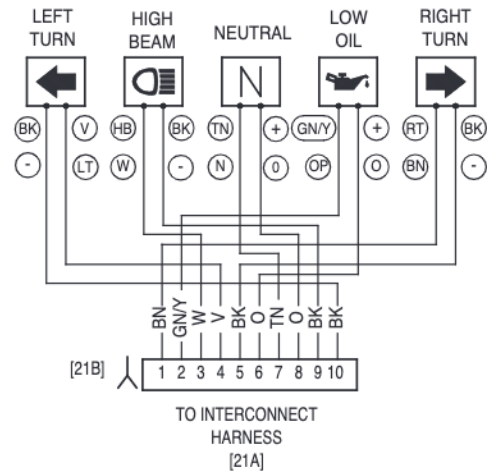


BK - Black	GN - Green	LT.GN - Light Green
BN - Brown	BE - Blue	PK - Pink
R - Red	V - Violet	TN - Tan
O - Orange	GY - Gray	Wire color-XX/XX-Stripe color
Y - Yellow	W - White	



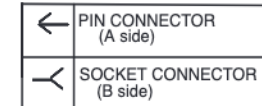
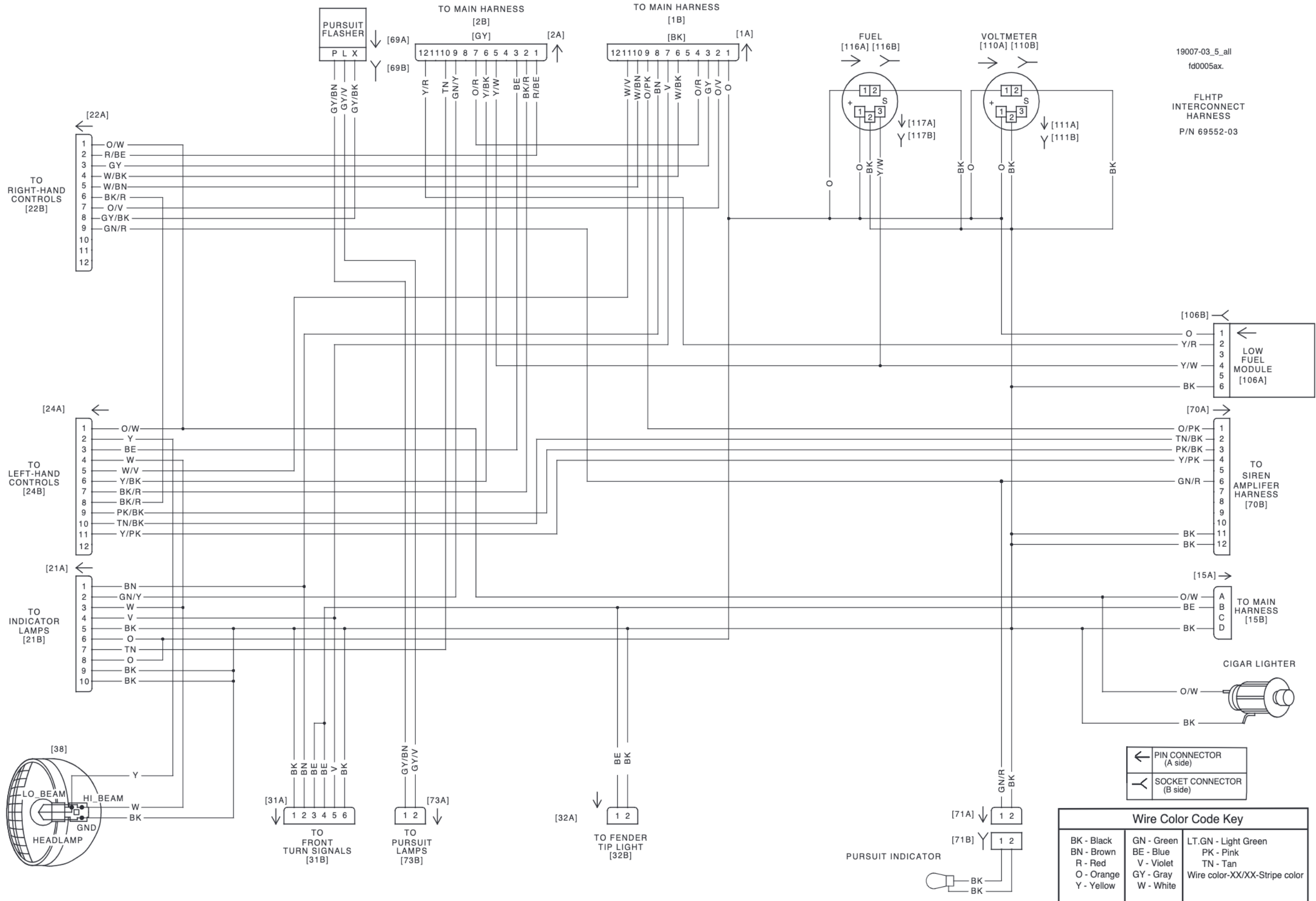


fd0004bx.
19007-02_4_all



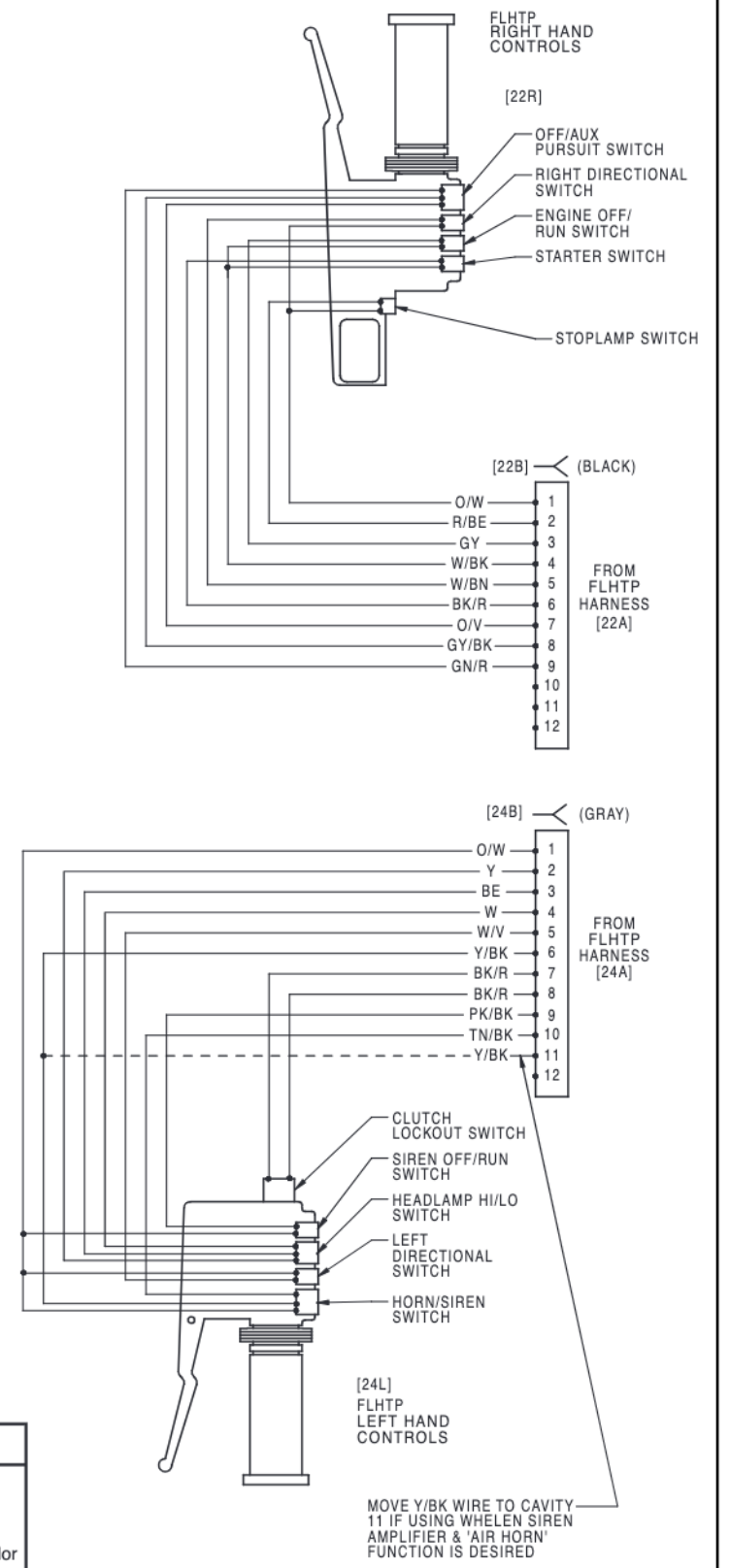
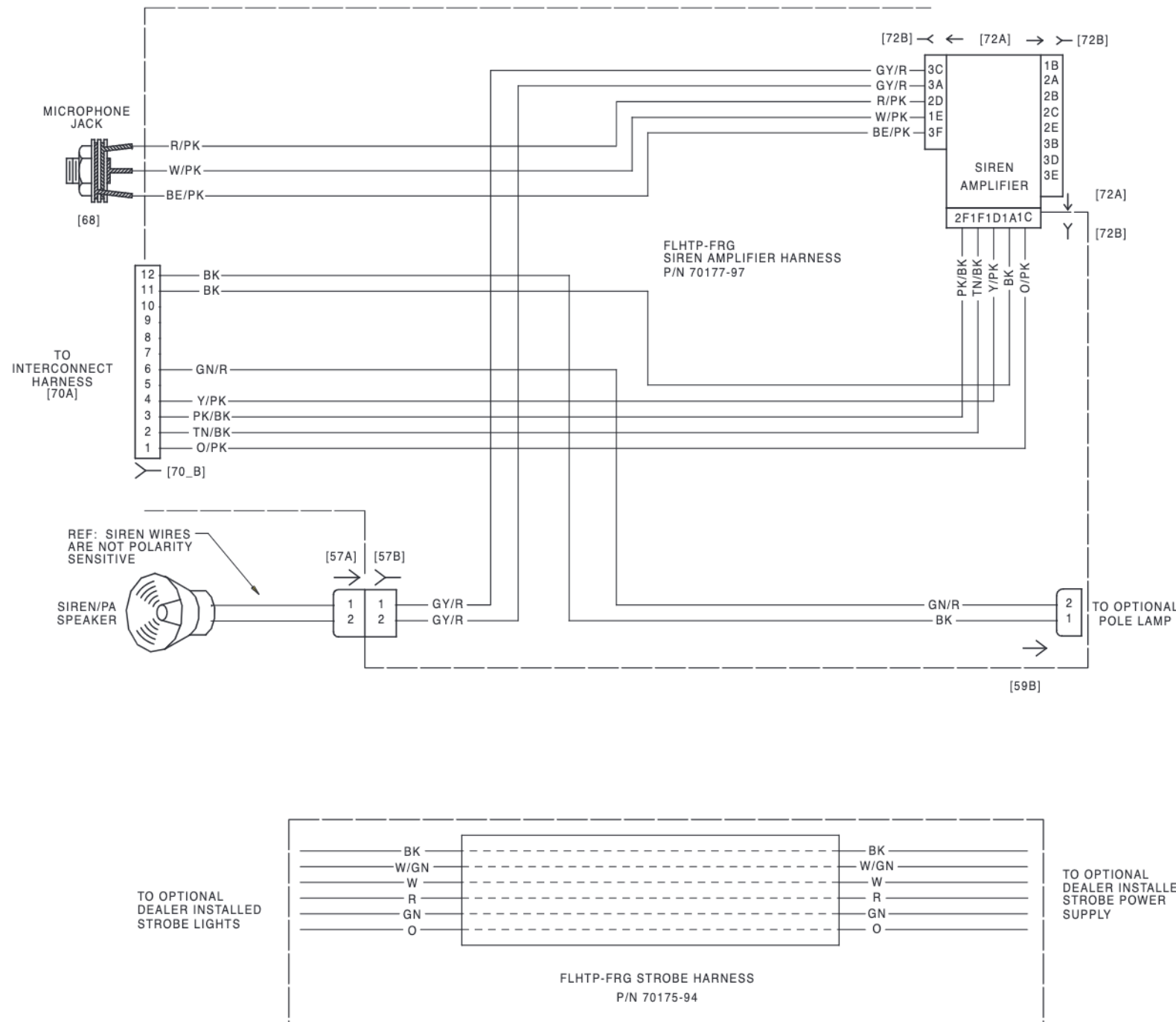
19007-03_5_all
fd0005ax.

FLHTP
INTERCONNECT
HARNESS
P/N 69552-03



Wire Color Code Key		
BK - Black	GN - Green	LT.GN - Light Green
BN - Brown	BE - Blue	PK - Pink
R - Red	V - Violet	TN - Tan
O - Orange	GY - Gray	Wire color-XX/XX-Stripe color
Y - Yellow	W - White	

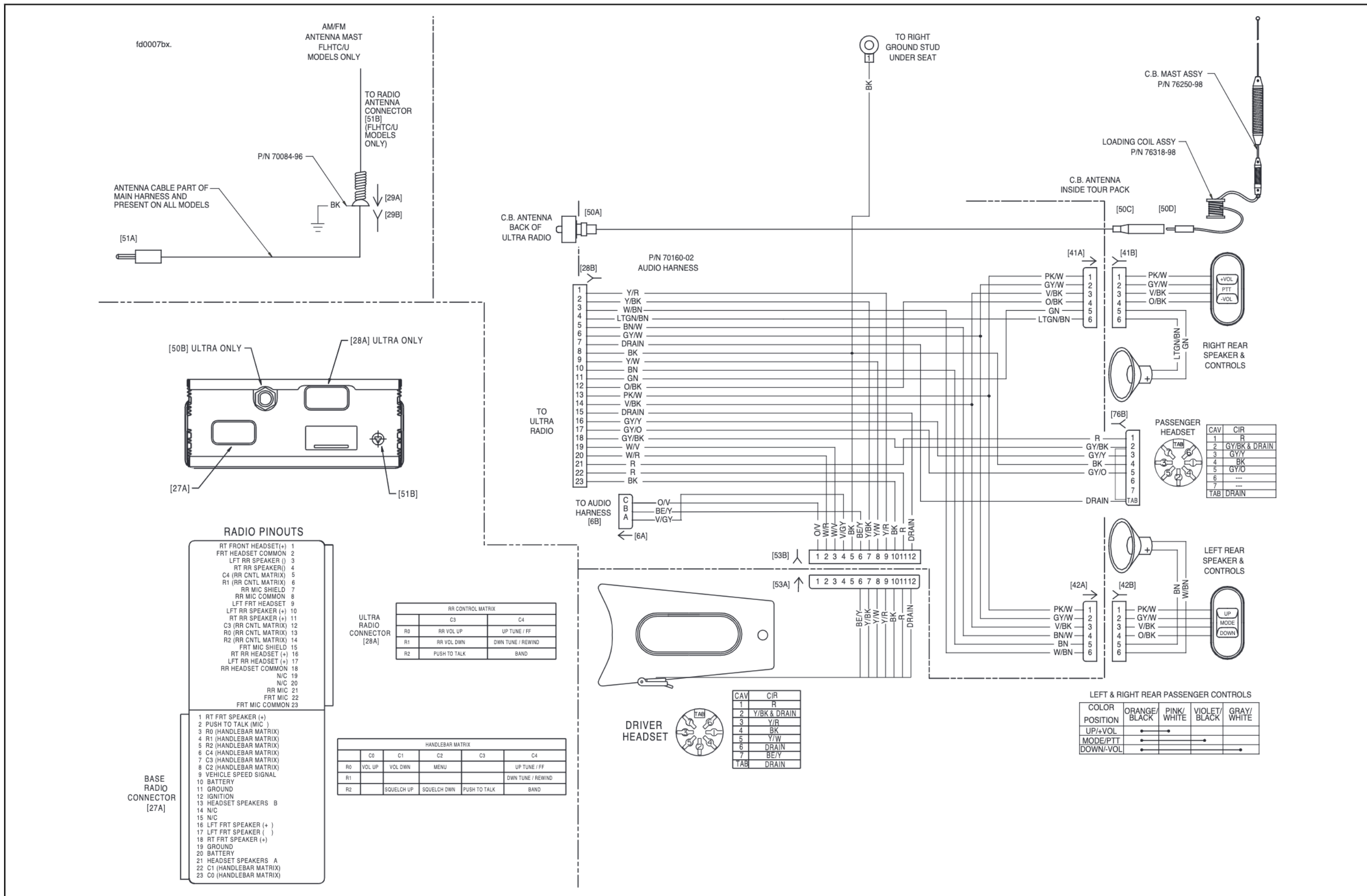
fd0006xx.



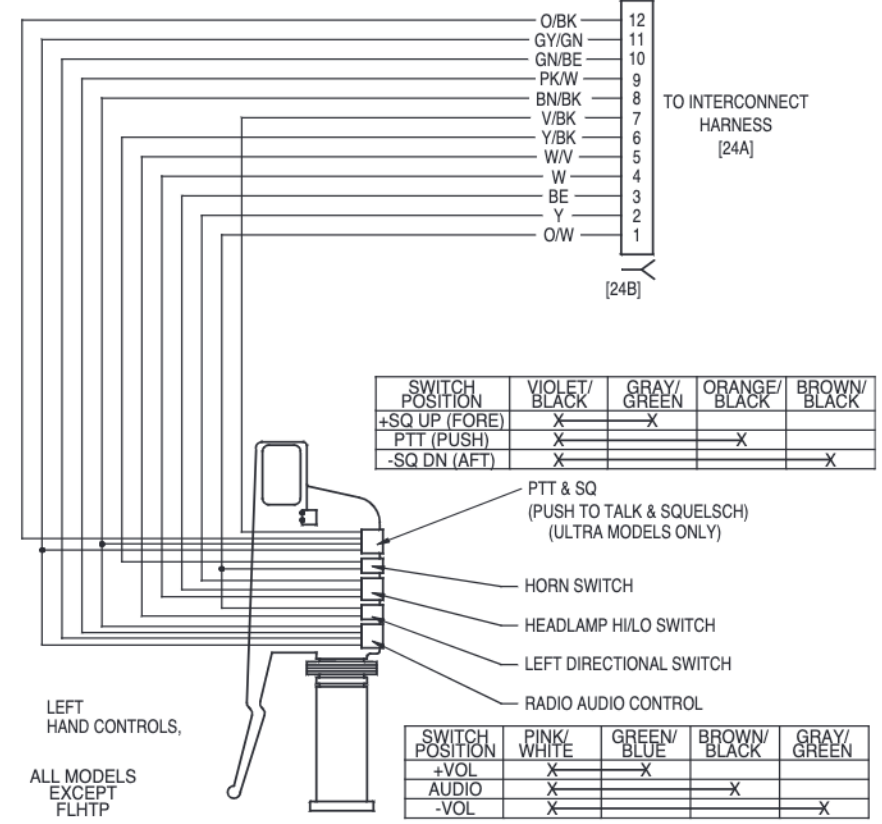
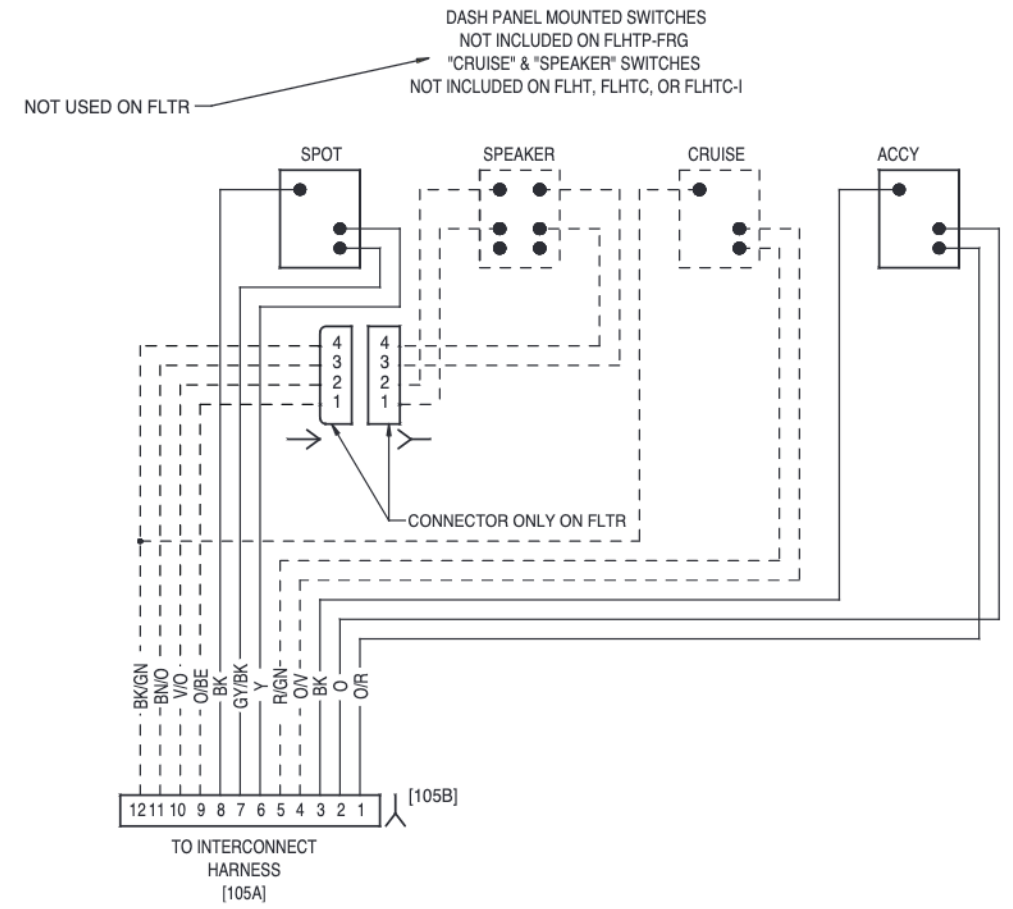
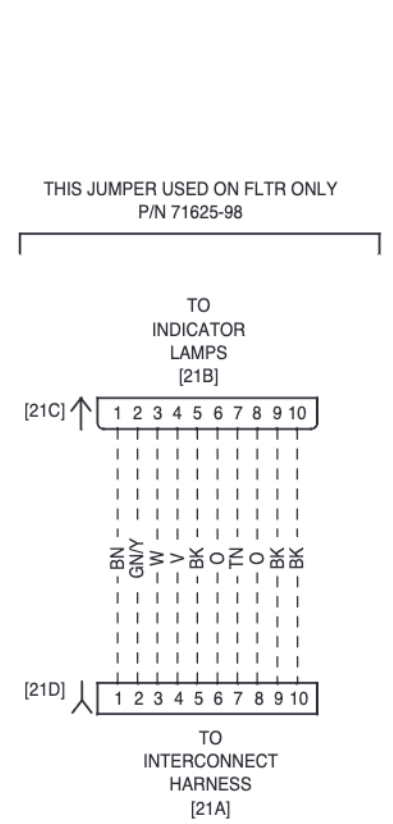
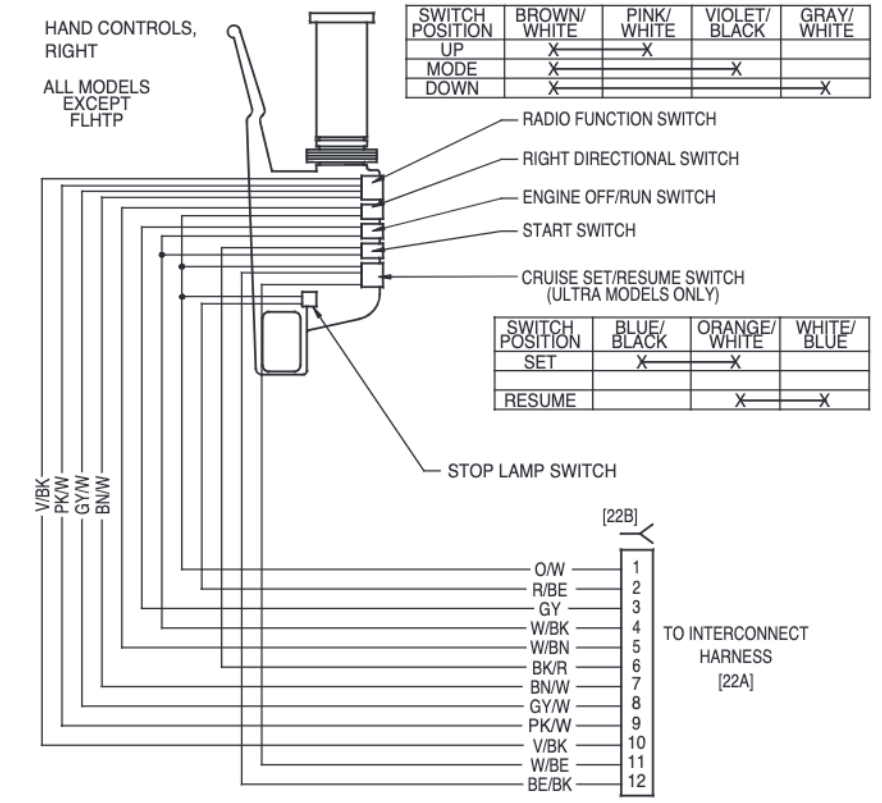
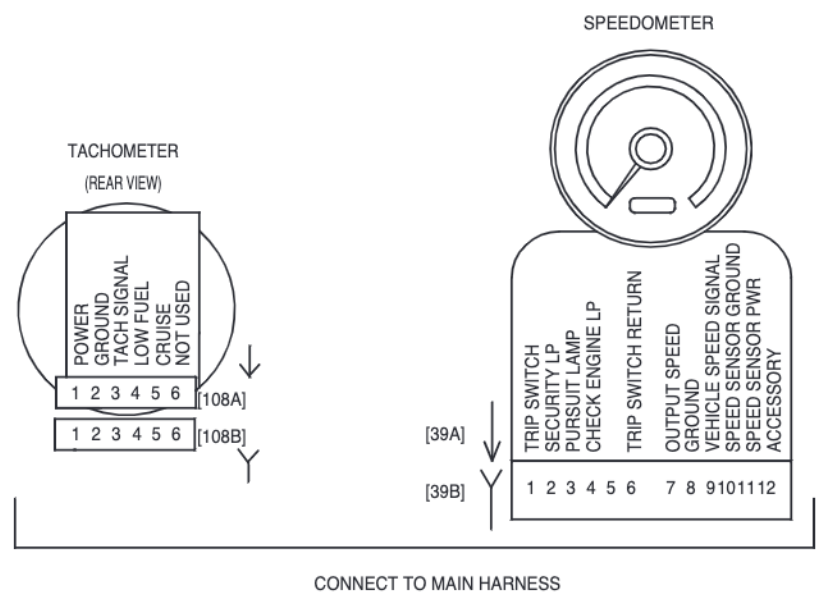
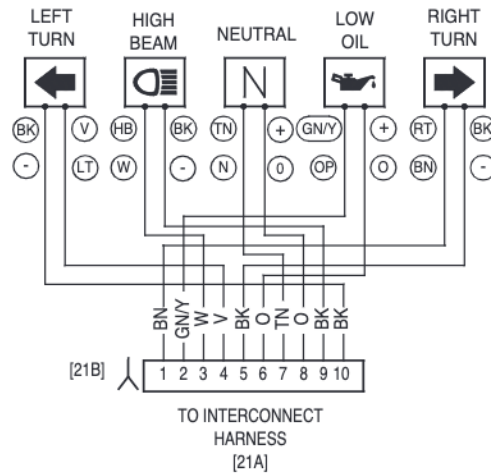
← PIN CONNECTOR (A side)
 ← SOCKET CONNECTOR (B side)

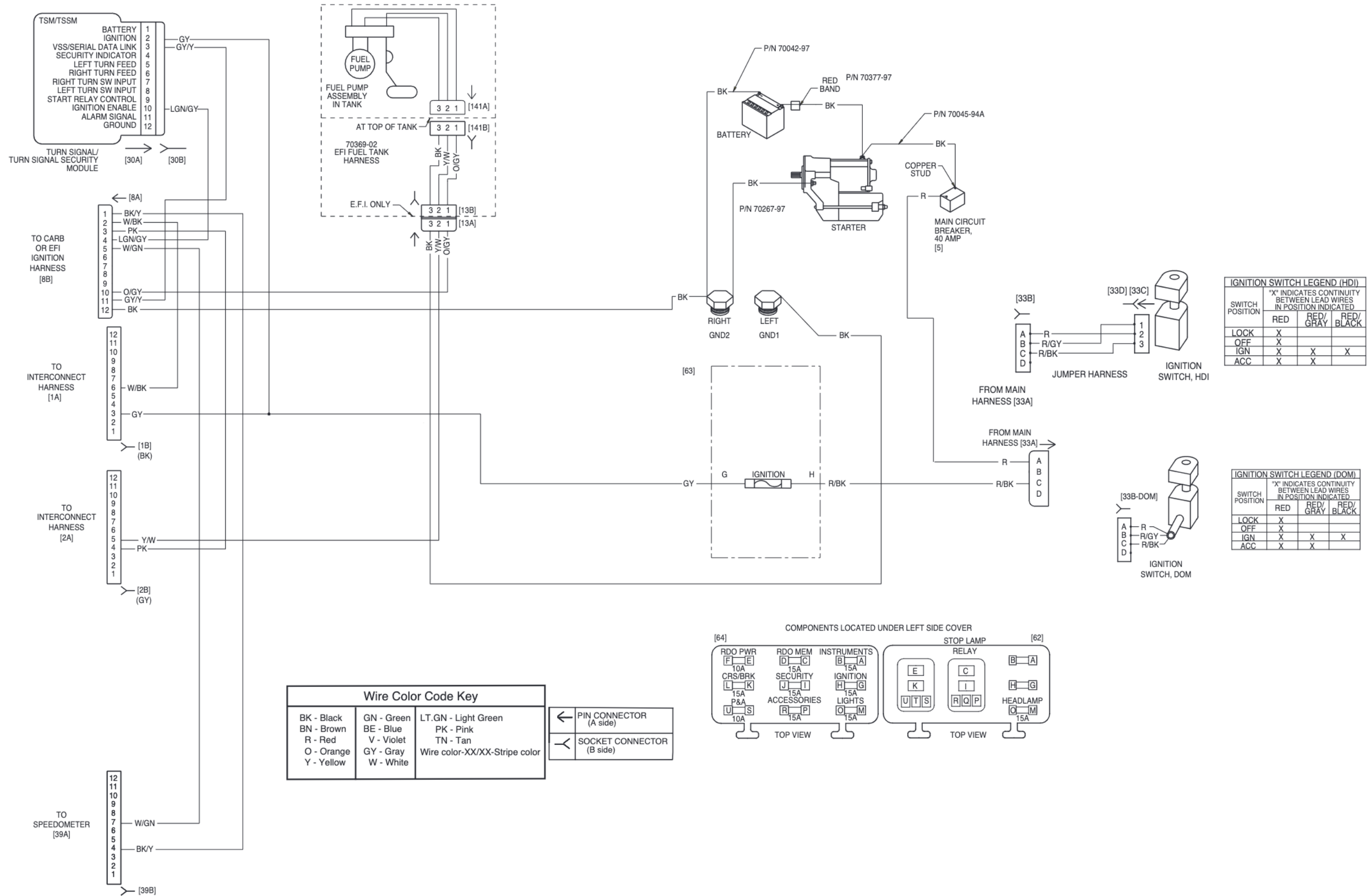
Wire Color Code Key		
BK - Black	GN - Green	LT.GN - Light Green
BN - Brown	BE - Blue	PK - Pink
R - Red	V - Violet	TN - Tan
O - Orange	GY - Gray	Wire color-XX/XX-Stripe color
Y - Yellow	W - White	

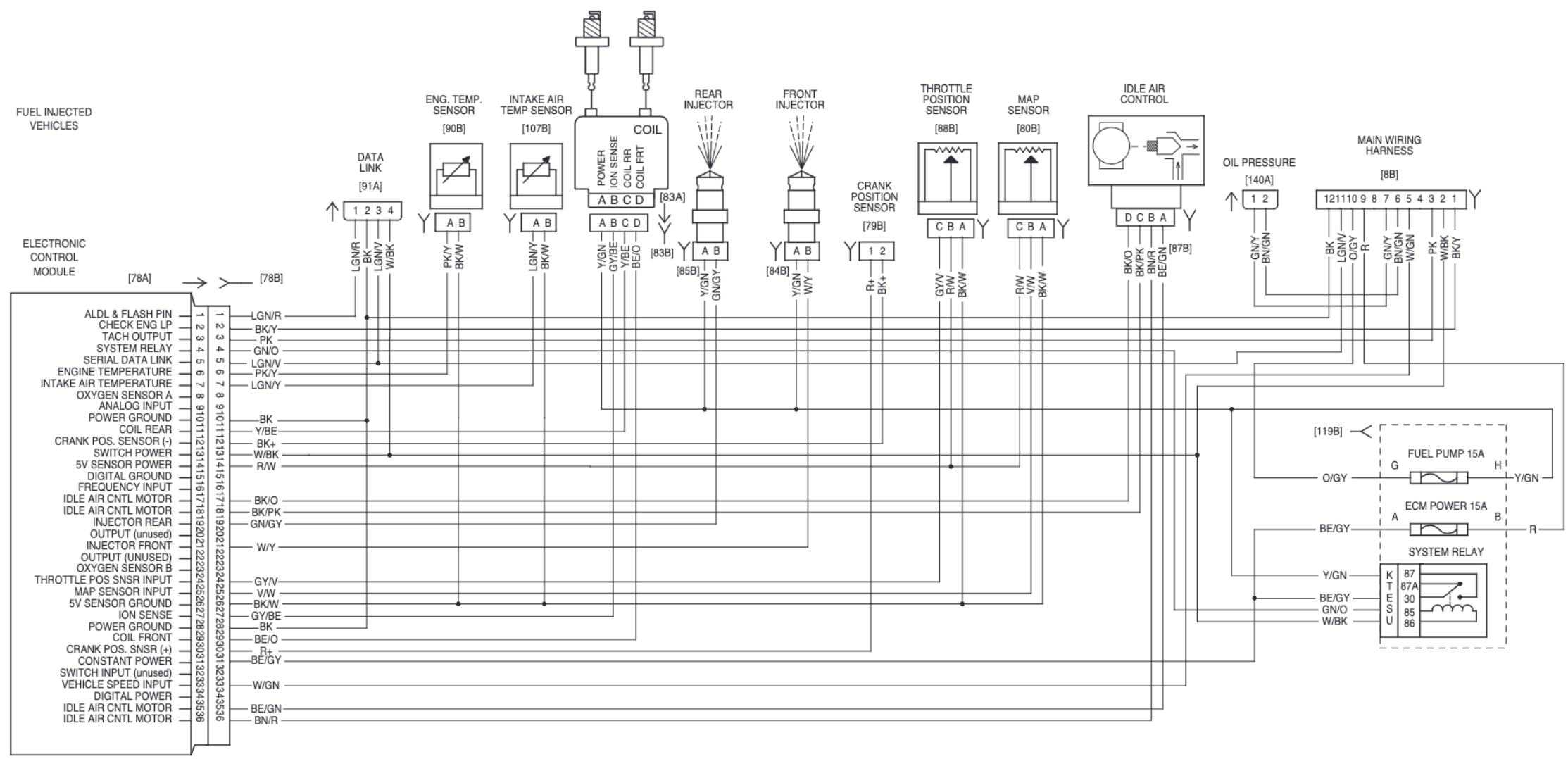
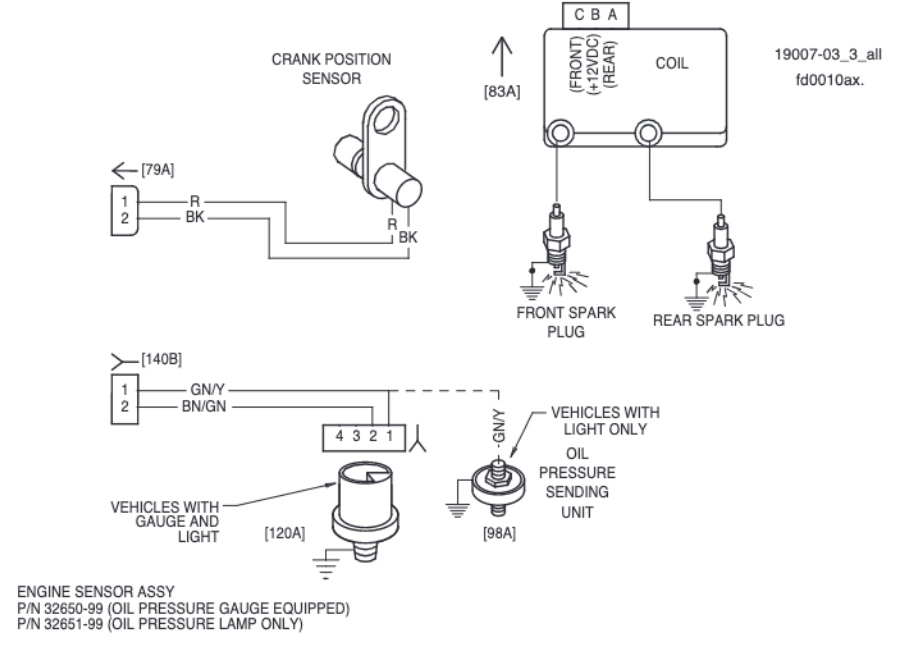
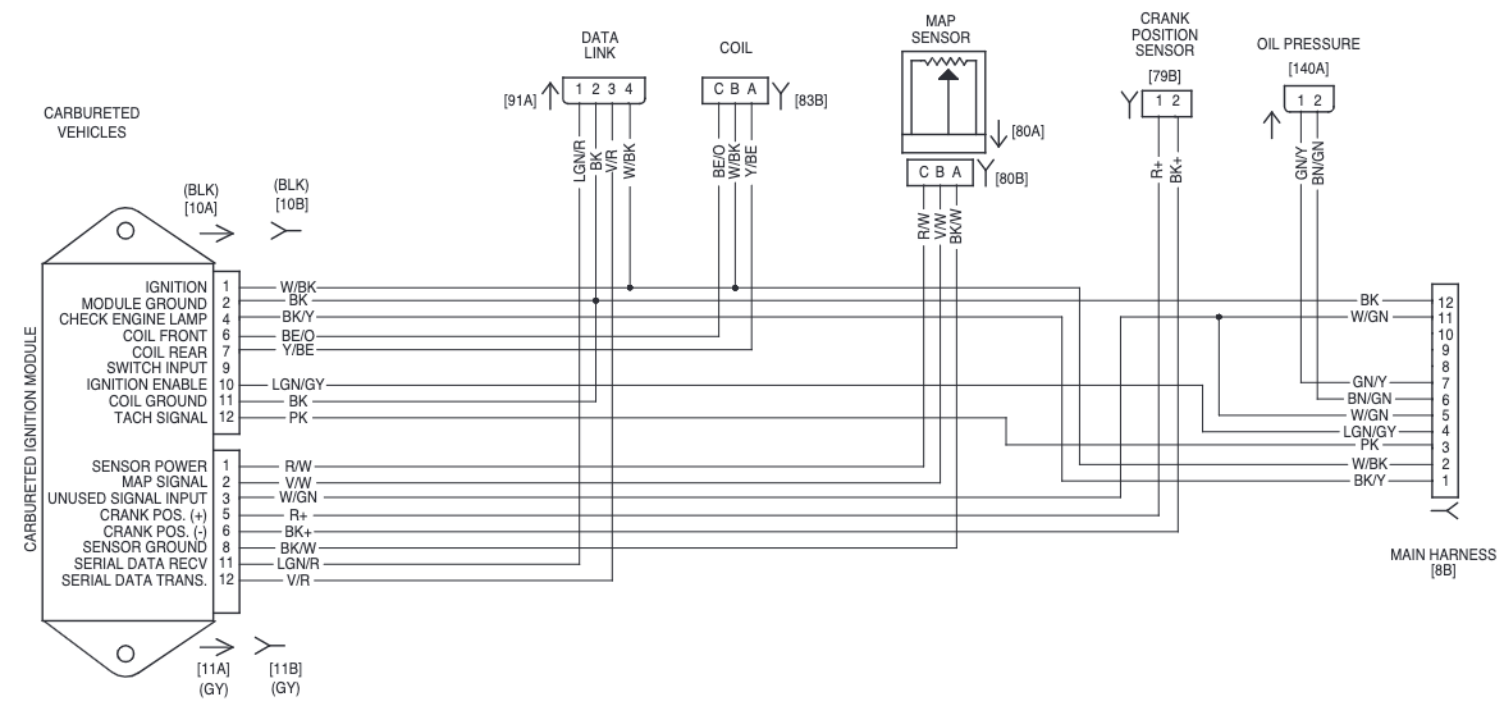
MOVE Y/BK WIRE TO CAVITY 11 IF USING WHELEN SIREN AMPLIFIER & 'AIR HORN' FUNCTION IS DESIRED

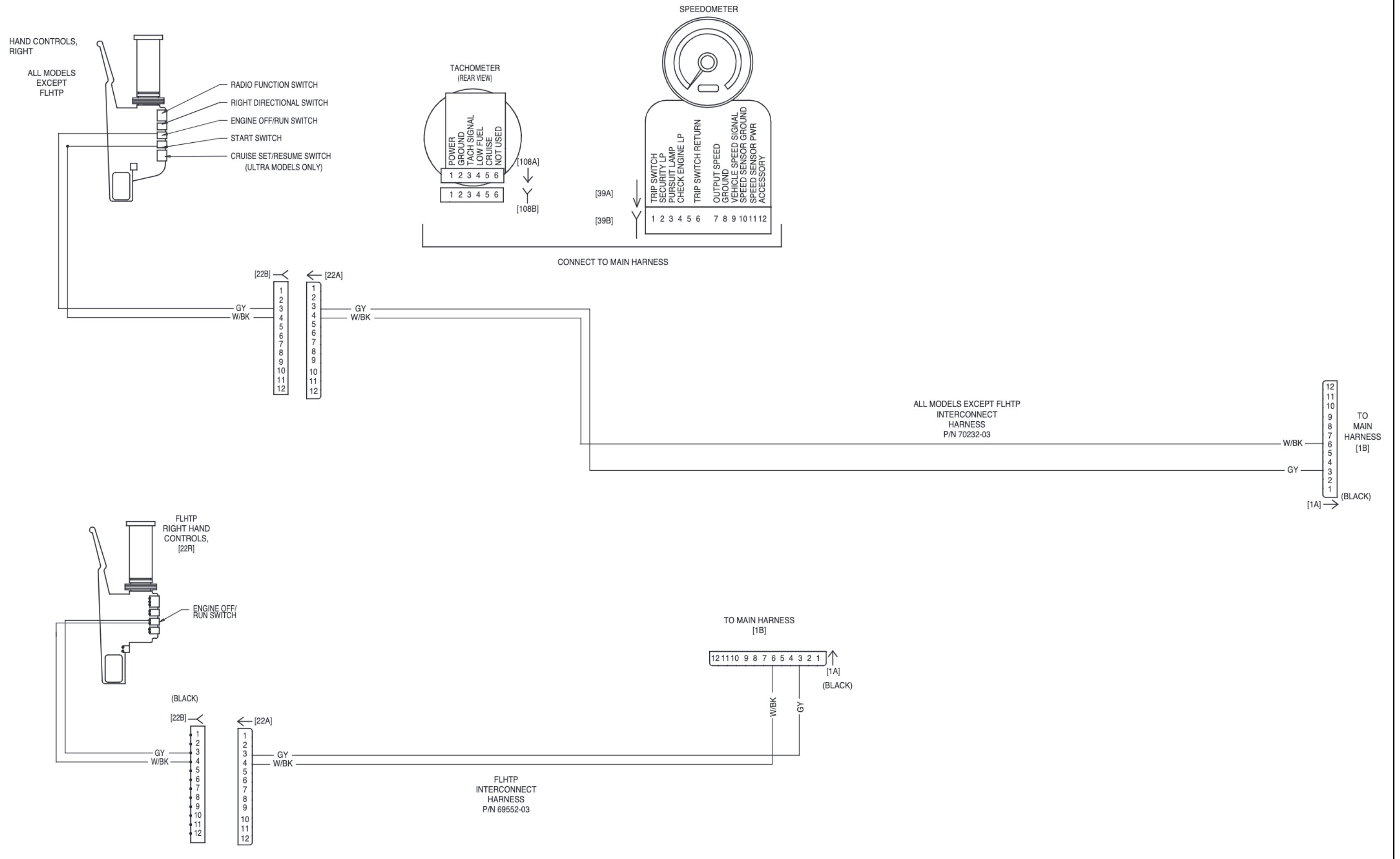


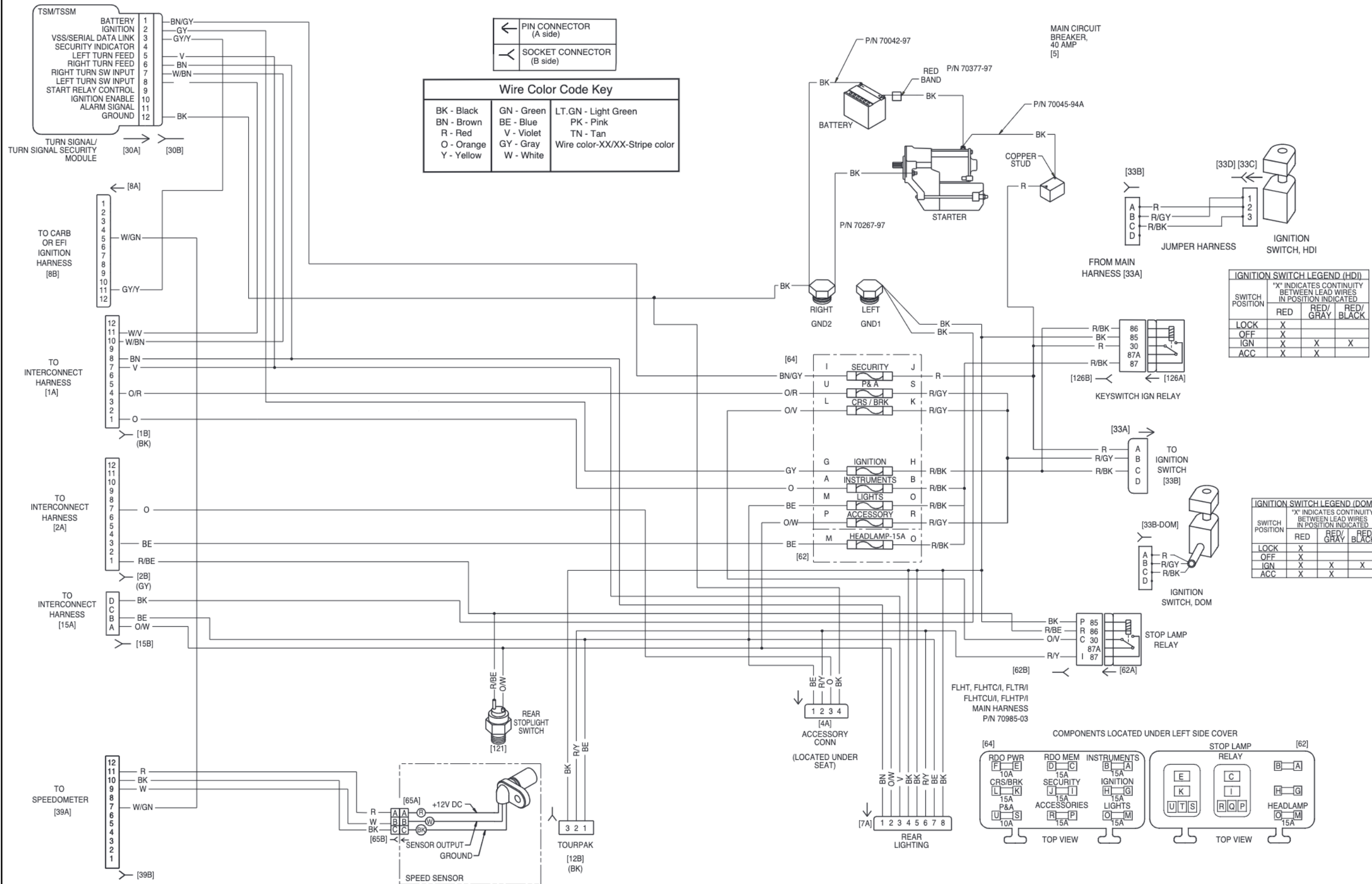
fd0004bx.
19007-02_4_all



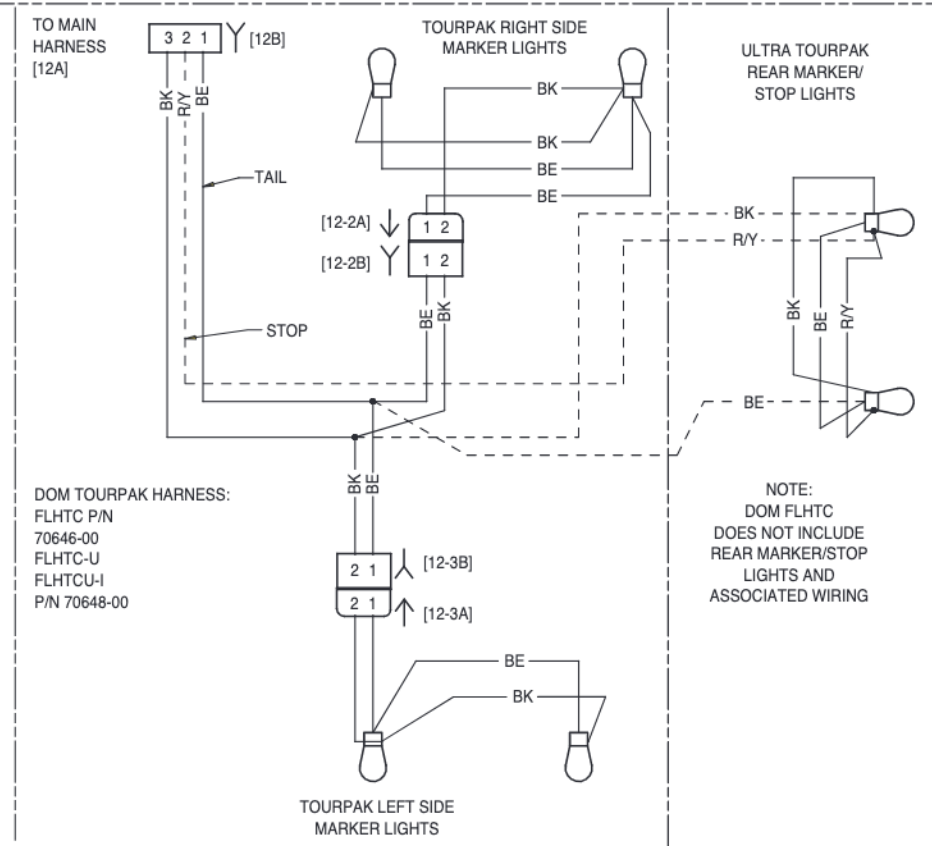
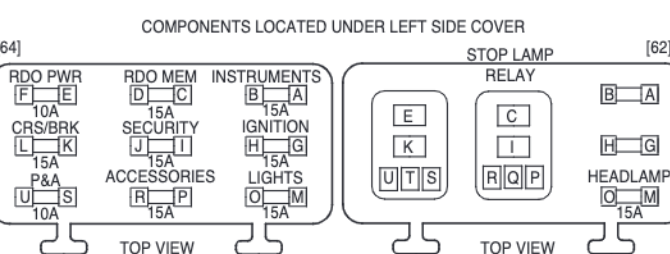
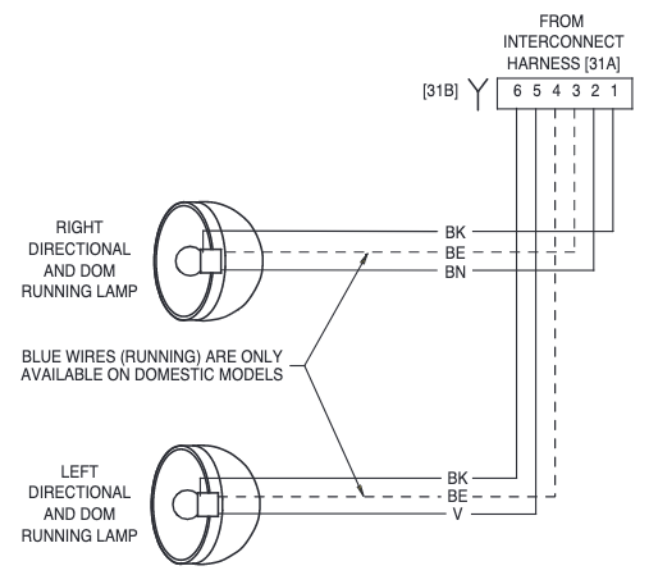
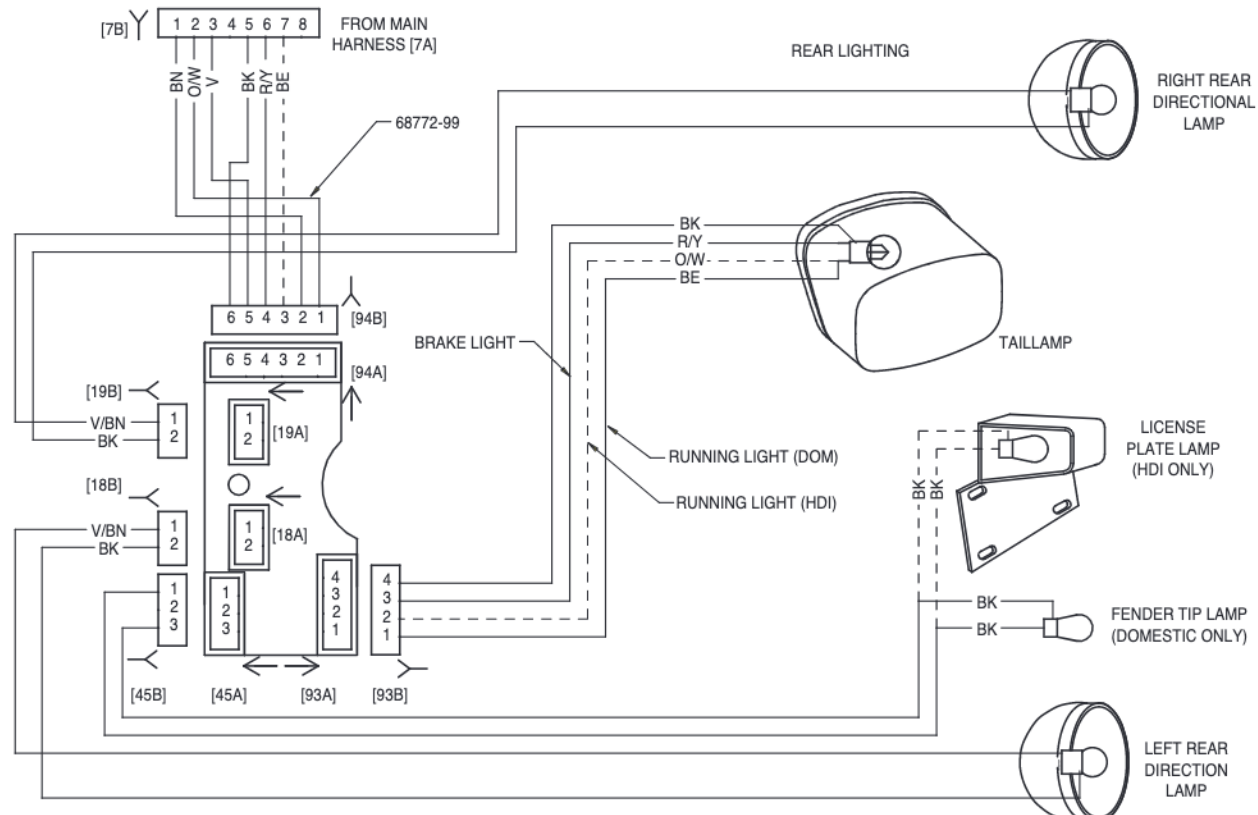
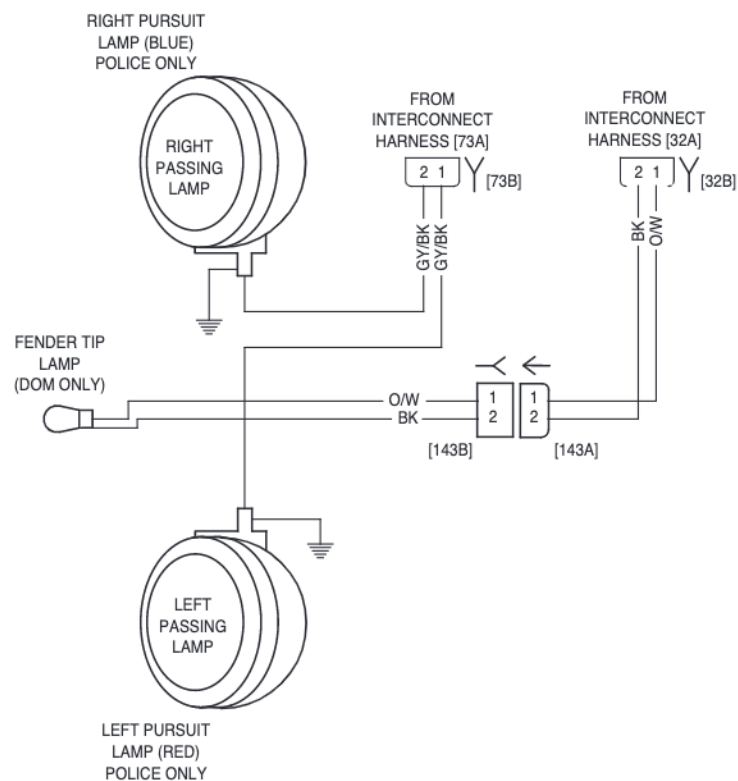








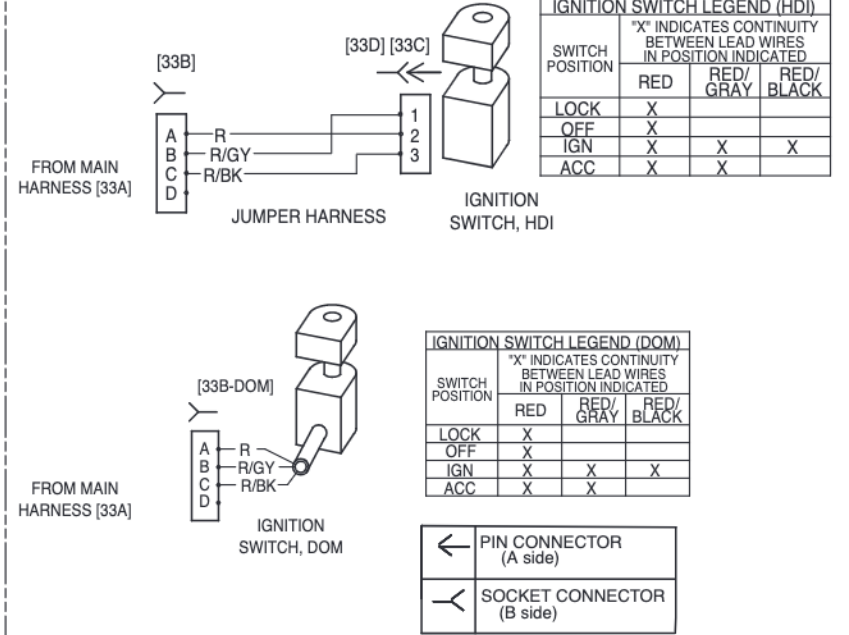
2003 FLT DOMESTIC and INTERNATIONAL MODELS, LIGHTING CIRCUIT, SHEET 1 OF 5



DOM TOURPAK HARNESS:
 FLHTC P/N 70646-00
 FLHTC-U P/N 70648-00

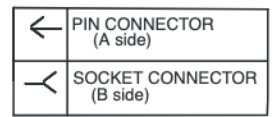
NOTE:
 DOM FLHTC DOES NOT INCLUDE REAR MARKER/STOP LIGHTS AND ASSOCIATED WIRING

HDI FLHTC AND FLHTCU MODELS DO NOT HAVE TOURPAK LIGHTING
 TOURPAK NOT INCLUDED ON FLHT OR FLHTP-FRG



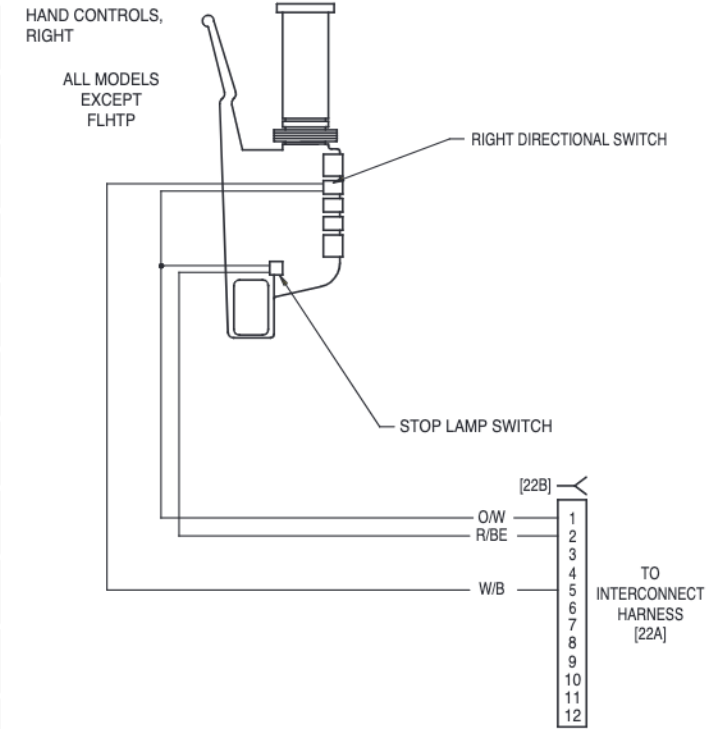
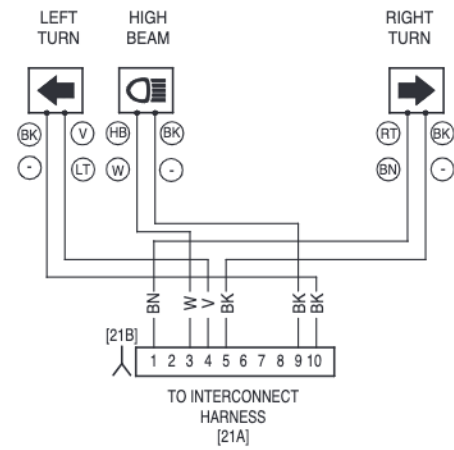
SWITCH POSITION	*X INDICATES CONTINUITY BETWEEN LEAD WIRES IN POSITION INDICATED		
	RED	RED/GRAY	RED/BLACK
LOCK	X		
OFF	X		
IGN	X	X	X
ACC	X	X	

SWITCH POSITION	*X INDICATES CONTINUITY BETWEEN LEAD WIRES IN POSITION INDICATED		
	RED	RED/GRAY	RED/BLACK
LOCK	X		
OFF	X		
IGN	X	X	X
ACC	X	X	

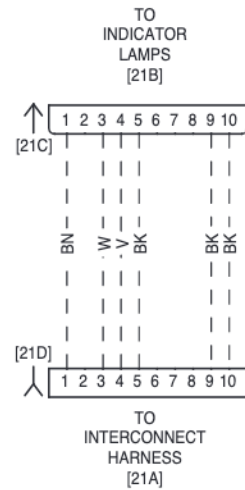


BK - Black	GN - Green	LT.GN - Light Green
BN - Brown	BE - Blue	PK - Pink
R - Red	V - Violet	TN - Tan
O - Orange	GY - Gray	Wire color-XX/XX-Stripe color
Y - Yellow	W - White	

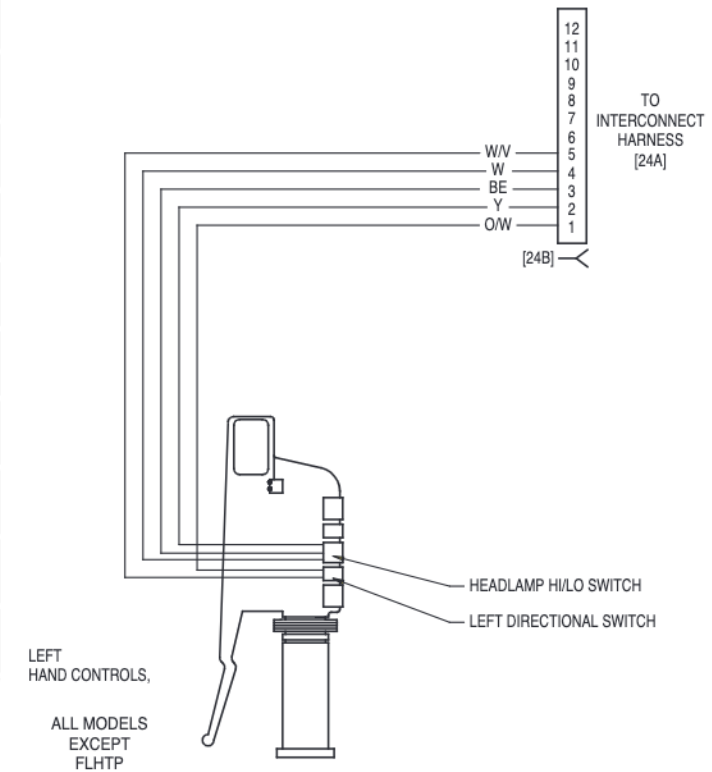
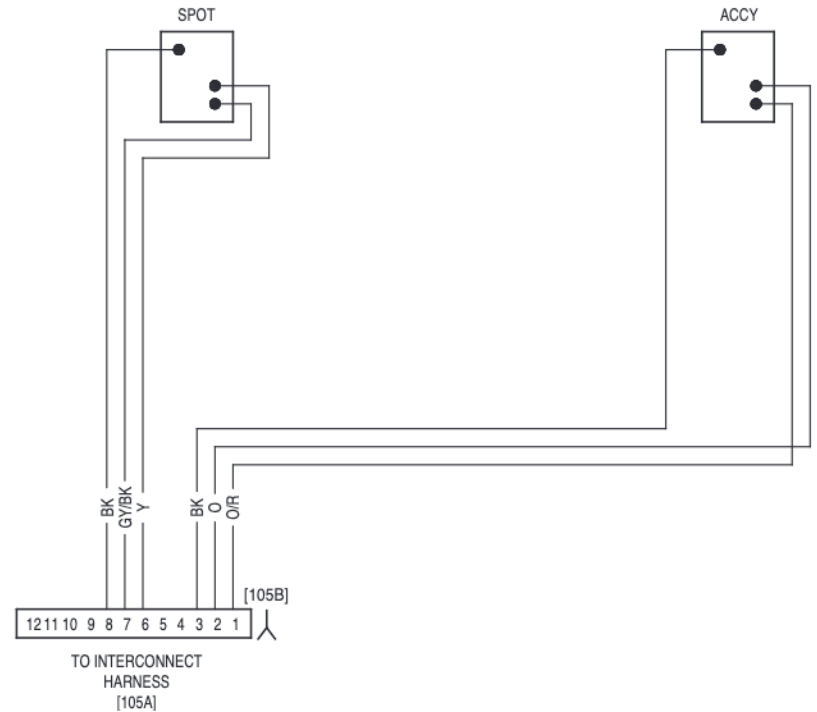
fd0014ax.



THIS JUMPER USED ON FLTR ONLY
P/N 71625-98



NOT USED ON FLTR → DASH PANEL MOUNTED SWITCHES
NOT INCLUDED ON FLHTP-FRG "CRUISE" & "SPEAKER" SWITCHES
NOT INCLUDED ON FLHT, FLHTC, OR FLHTC-I



HAND CONTROLS,
RIGHT FLHTP

RIGHT DIRECTIONAL SWITCH

STOP LAMP SWITCH

[22B]

1 O/W
2 R/BE
3
4
5 W/BN
6
7
8
9
10
11
12

[22A]

1 O/W
2 R/BE
3
4 W/BN
5
6
7
8
9
10
11
12

TO MAIN HARNESS
[2B]
[GY]

12 11 10 9 8 7 6 5 4 3 2 1

O/R
BE
R/BE

[2A]

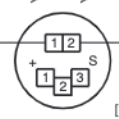
TO MAIN HARNESS
[1B]
[BK]

12 11 10 9 8 7 6 5 4 3 2 1

W/V
W/BN
BN
V
O/V
O

[1A]

FUEL
[116A] [116B]



VOLTMETER

[110A] [110B]



[24B]

1 O/W
2 Y
3 BE
4 W
5 W/V
6
7
8
9
10
11
12

[24A]

1 O/W
2 Y
3 BE
4 W
5 W/V
6
7
8
9
10
11
12

HAND CONTROLS,
LEFT FLHTP

HEADLAMP HI/LO SWITCH

LEFT DIRECTIONAL SWITCH

[38]

1 LO_BEAM Y
2 HI_BEAM W
3 GND BK

HEADLAMP

[21A]

1 BN
2 W
3 V
4 BK
5 BK
6 BK
7 BK
8 BK
9 BK
10 BK

[31A]

1 BK
2 BN
3 BE
4 BE
5 V
6 BK

TO FRONT
TURN SIGNALS
[31B]

[32A]

1 BE
2 BK

TO FENDER
TIP LIGHT
[32B]

[15A]

1 O/W
2 BE
3 BK
4

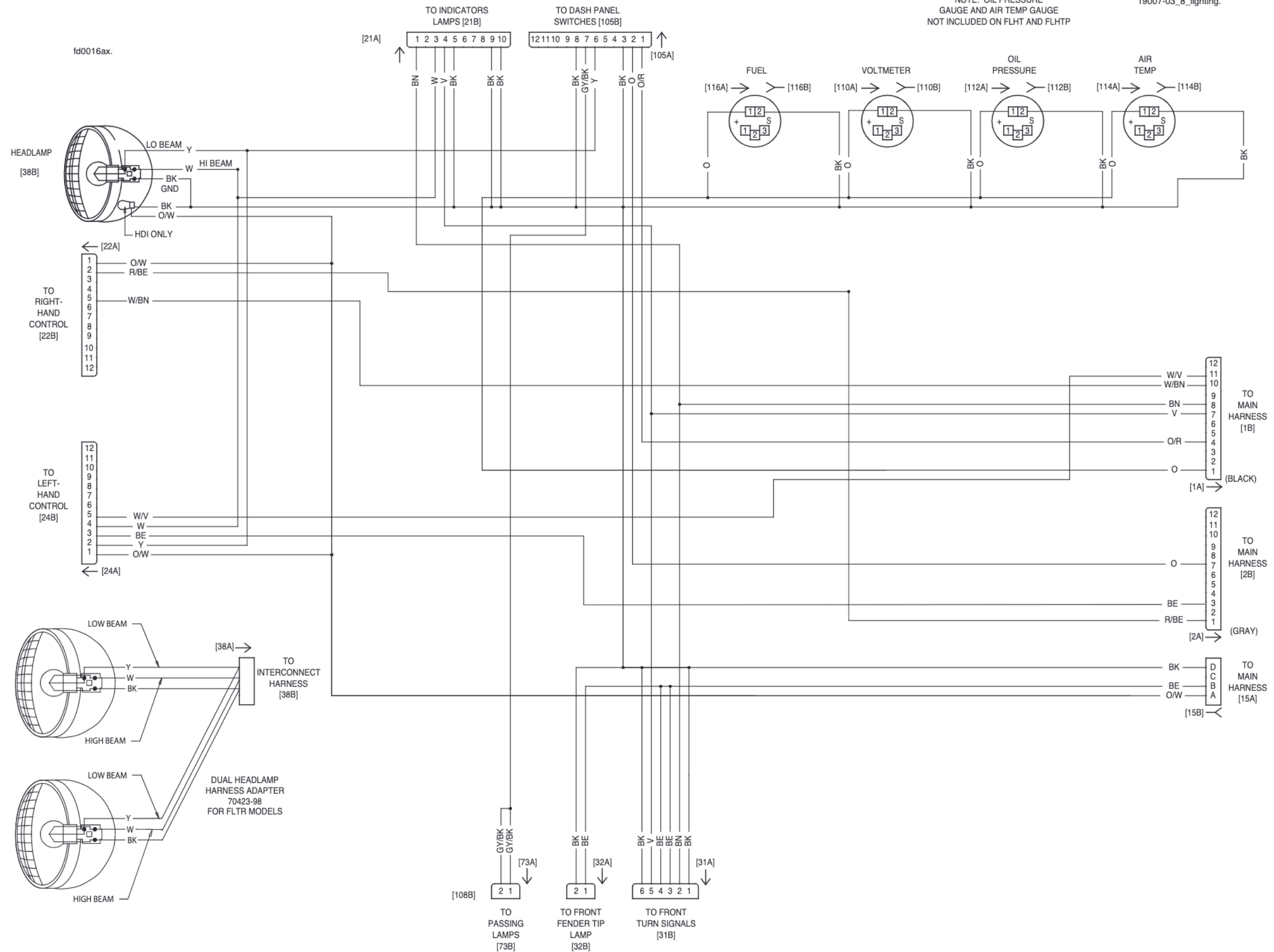
A
B
C
D

TO MAIN
HARNESS
[15B]

FLHTP
INTERCONNECT
HARNESS
P/N 69552-00

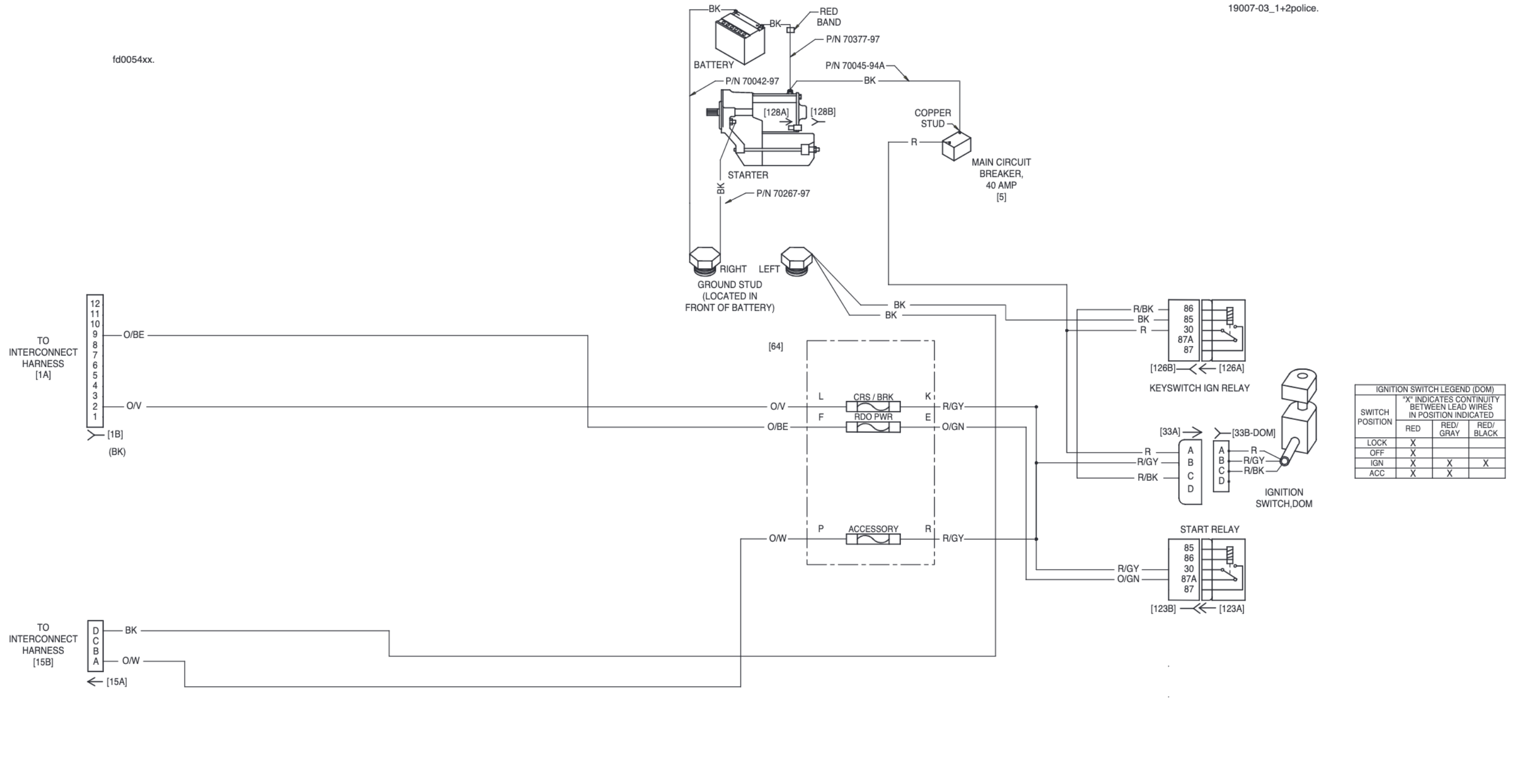
NOTE: OIL PRESSURE GAUGE AND AIR TEMP GAUGE NOT INCLUDED ON FLHT AND FLHTP

19007-03_8_lighting.



2003 FLT (ALL BUT FLHTPI) DOMESTIC and INTERNATIONAL MODELS, LIGHTS CIRCUIT, SHEET 5 OF 5

fd0054xx.

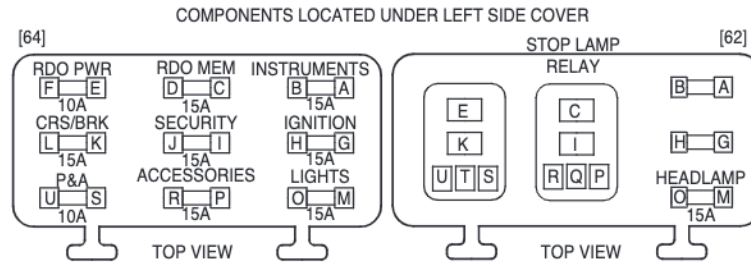
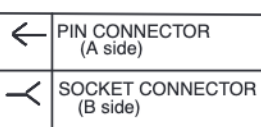


IGNITION SWITCH LEGEND (DOM)

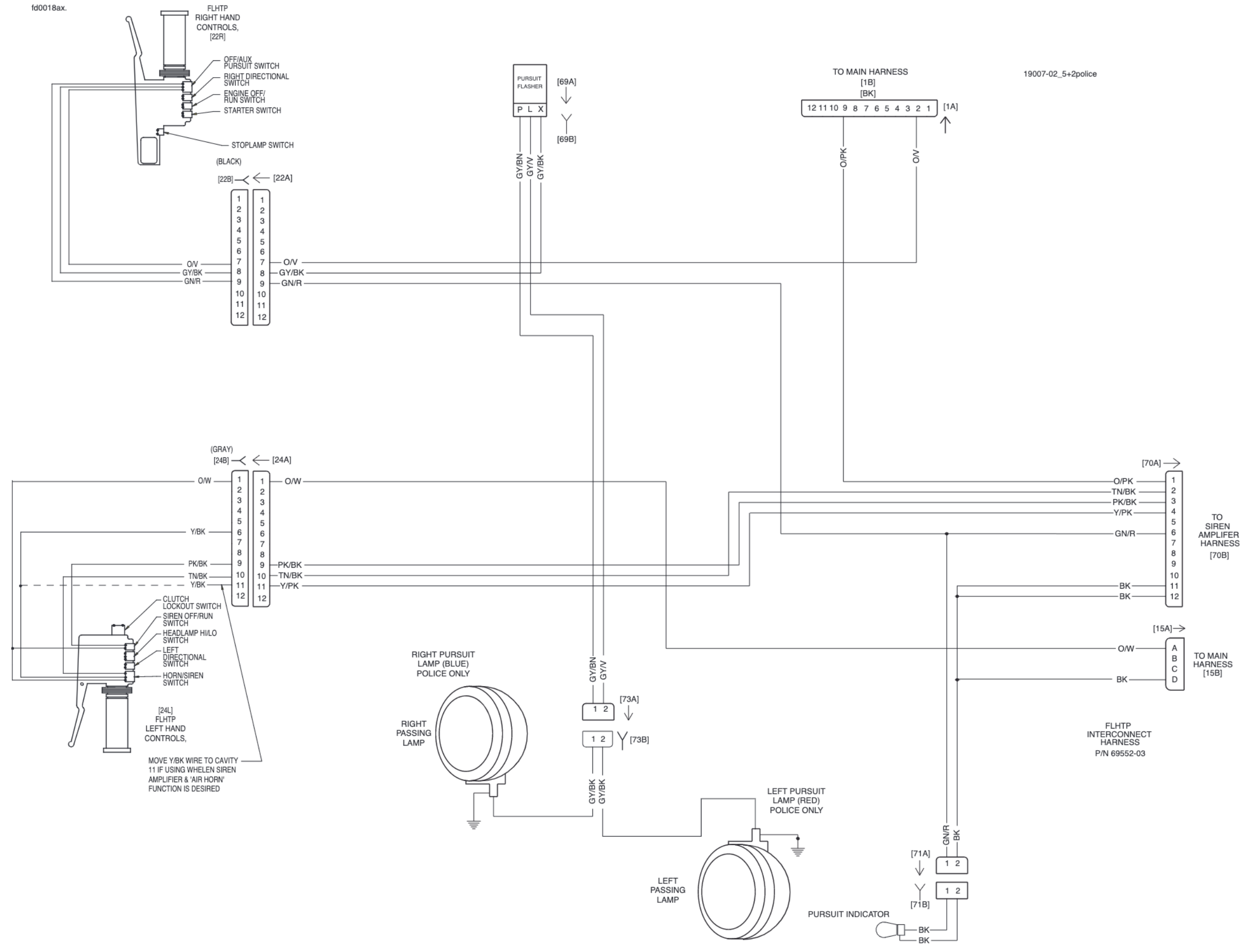
SWITCH POSITION	"X" INDICATES CONTINUITY BETWEEN LEAD WIRES IN POSITION INDICATED		
	RED	RED/GRAY	RED/BLACK
LOCK	X		
OFF	X		
IGN	X	X	X
ACC	X	X	

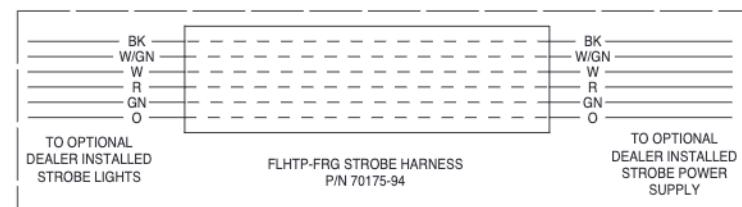
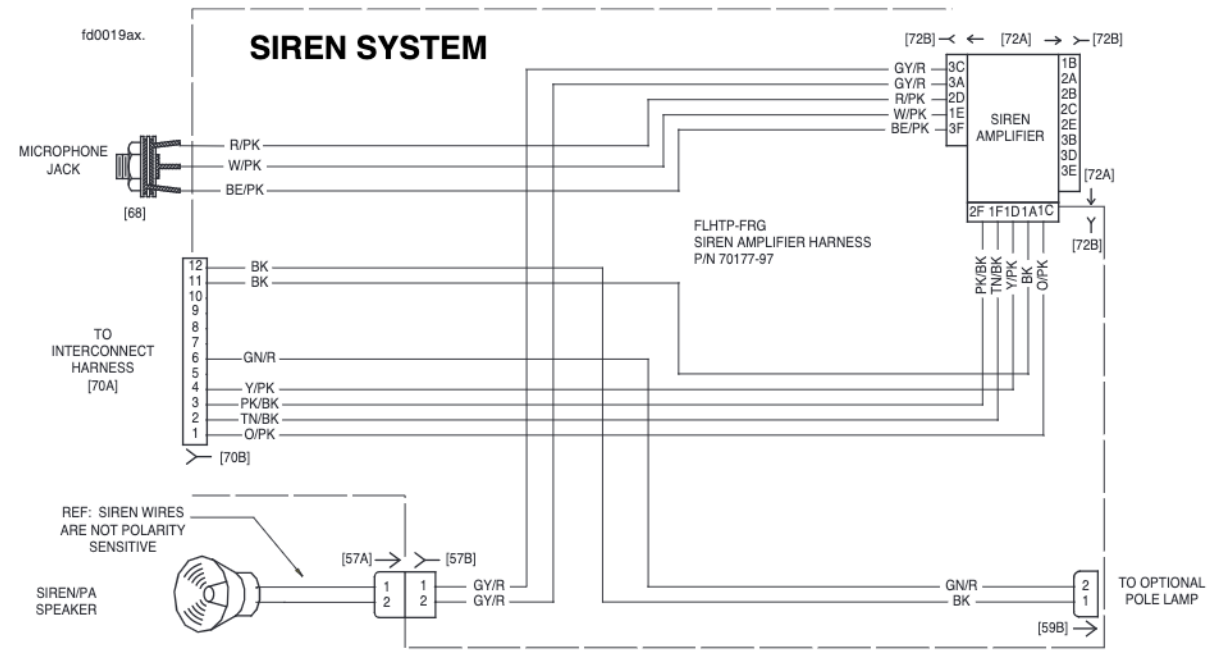
Wire Color Code Key

BK - Black	GN - Green	LT.GN - Light Green
BN - Brown	BE - Blue	PK - Pink
R - Red	V - Violet	TN - Tan
O - Orange	GY - Gray	Wire color-XX/XX-Stripe color
Y - Yellow	W - White	



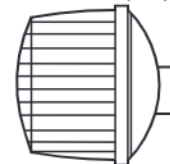
fd0018ax.



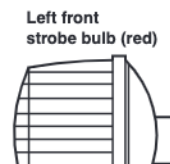


NOTE
Strobe system option may also be installed on FLHPI and FHLHPEI models

Right front strobe bulb (blue)



#22 Ga. wires supplied by Whelen
Route through spotlight stems



Left front strobe bulb (red)

Remove GY/BK wire from terminal "X" of the pursuit flasher and terminate it to W/GN wire of the strobe harness

GY/BK

Strobe System Option

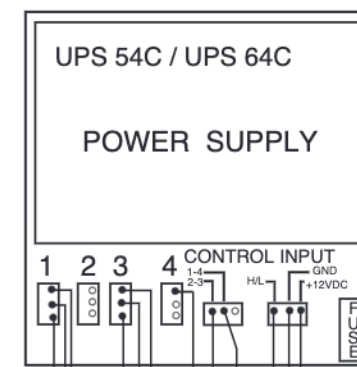
Pursuit flasher is located in fairing on FLHTP models and under left side cover on FLHP/I models

Extra wire and terminals may be required to connect harness to power supply

"X" Indicates unterminated strobe harness wires in fairing cavity on FLHTP models or headlight nacelle on FLHP/I models

"XX" indicates unterminated strobe harness wires located under left side cover

Not used



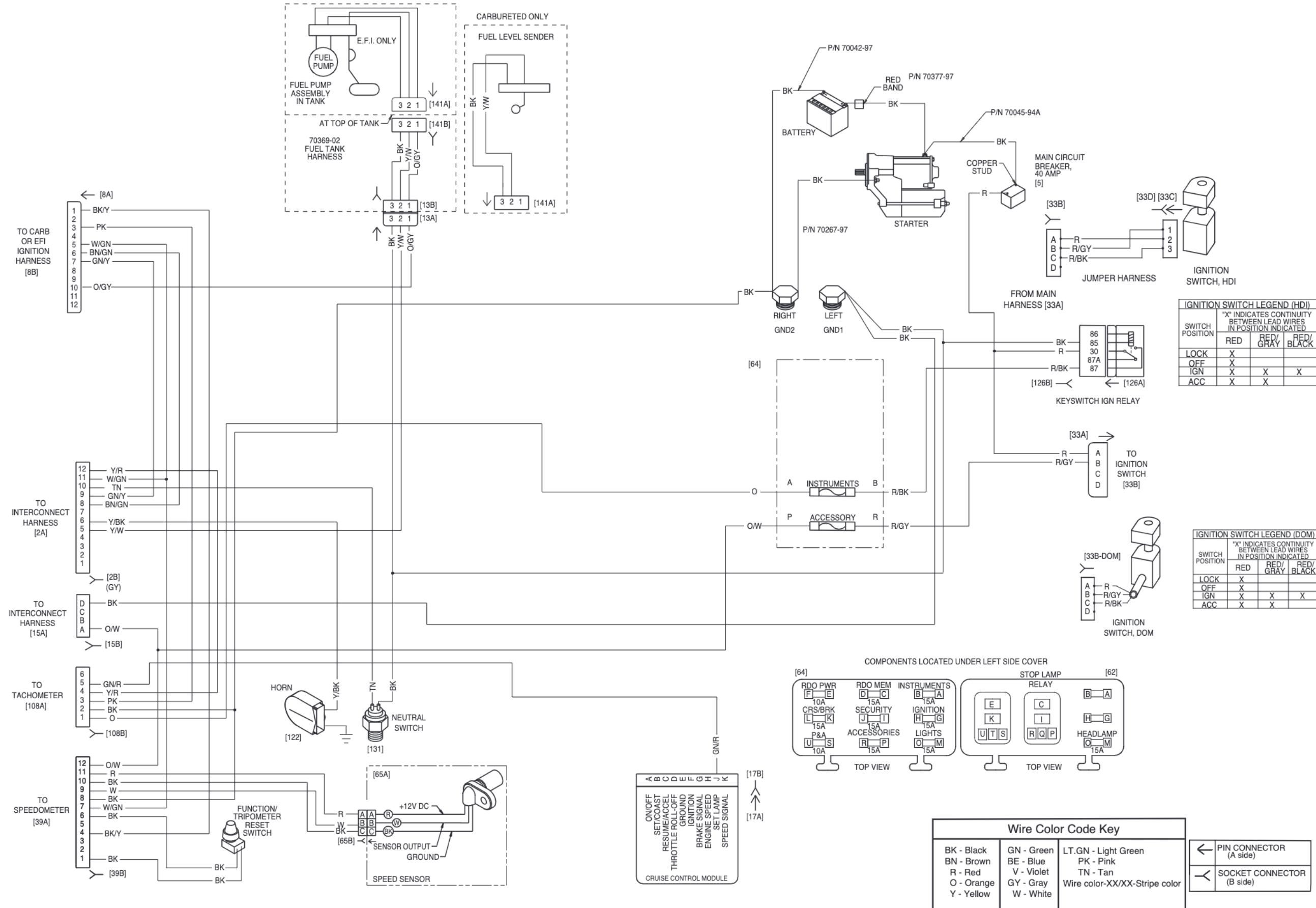
Use terminals and terminal housings supplied by Whelen for connections at power supply

Existing pole lighting wire located at left rear side of motorcycle

Power down circuit optional

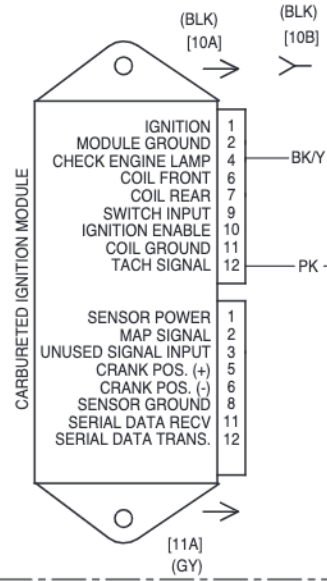
Ground to left ground stud in front of battery

Connect to O/R wire of ACC. fuse located under left side cover

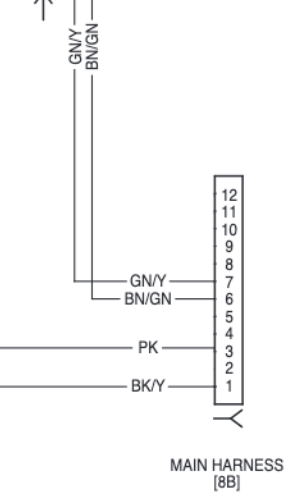


fd0022ax.

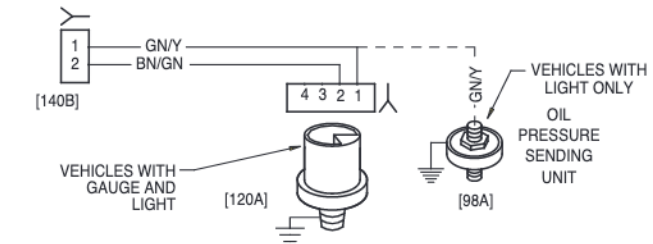
CARBURETED VEHICLES



OIL PRESSURE [140A]



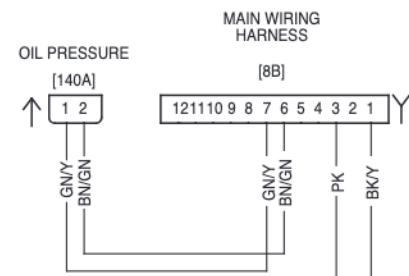
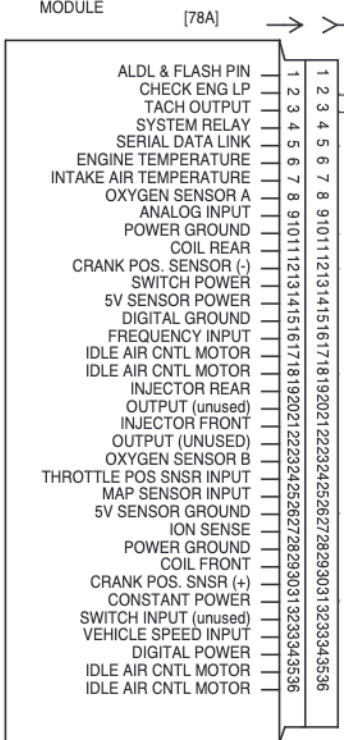
19007-03_3_horn_inst 5/24/02



ENGINE SENSOR ASSY
P/N 32650-99 (OIL PRESSURE GAUGE EQUIPPED)
P/N 32651-99 (OIL PRESSURE LAMP ONLY)

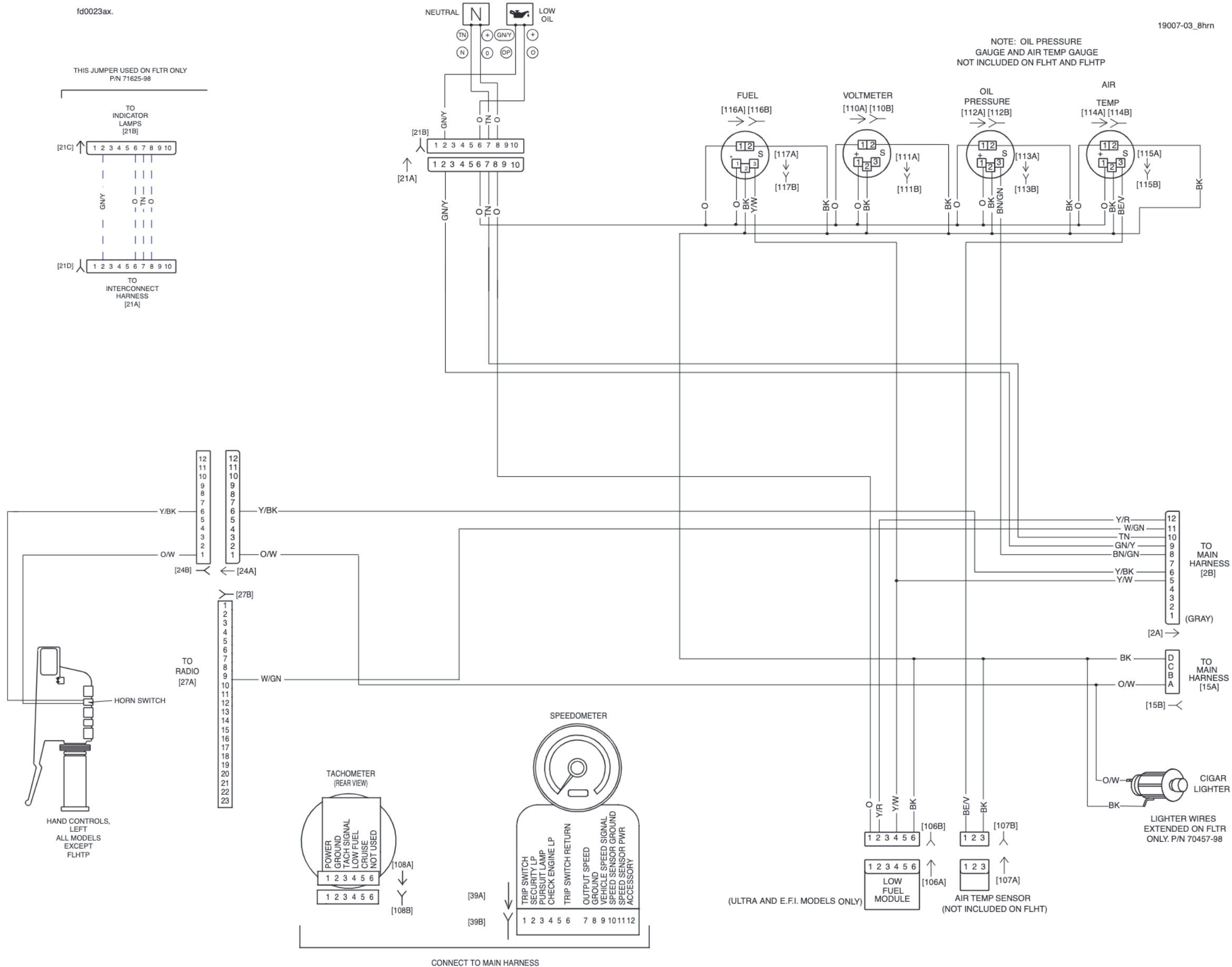
FUEL INJECTED VEHICLES

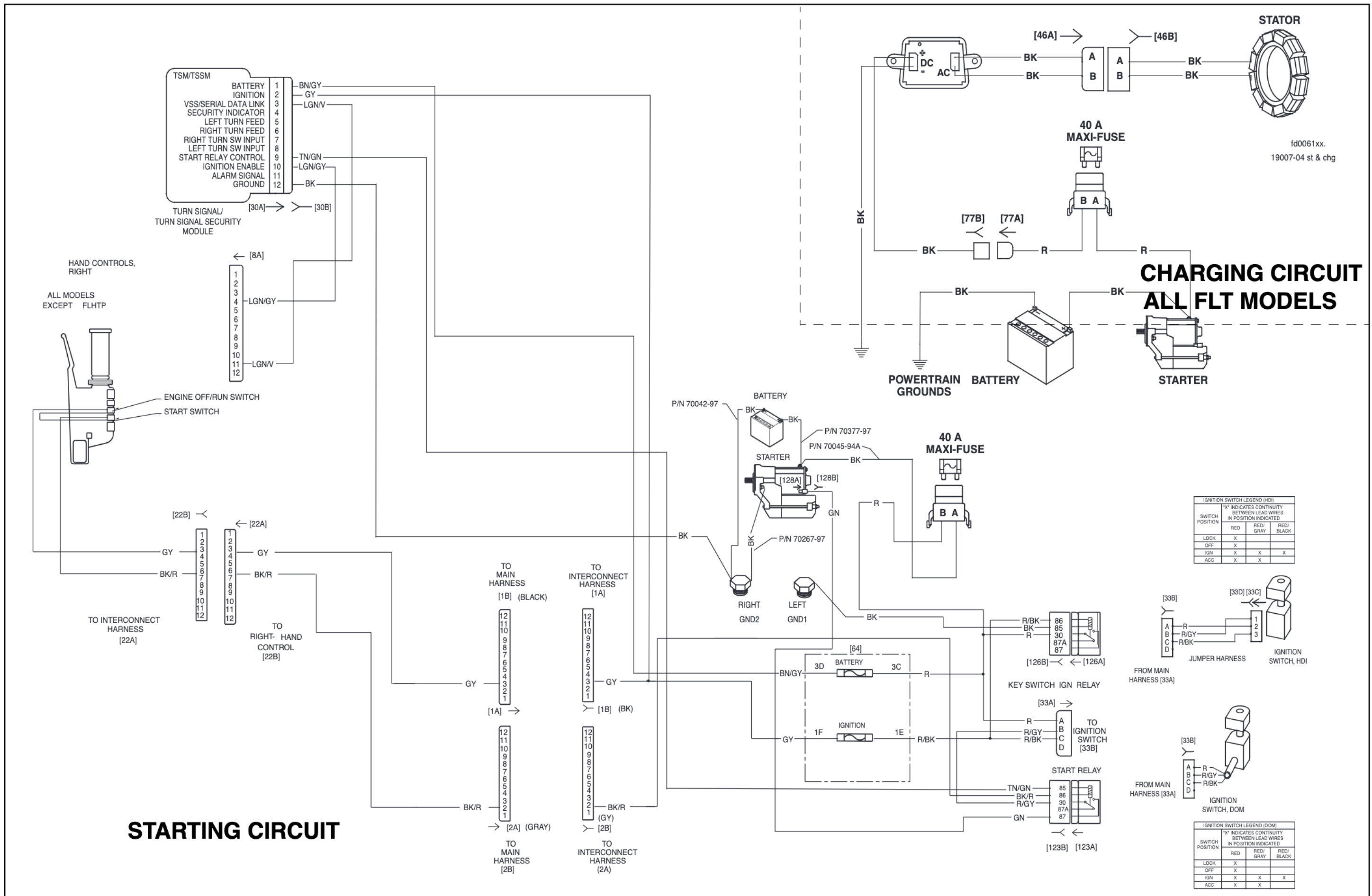
ELECTRONIC CONTROL MODULE

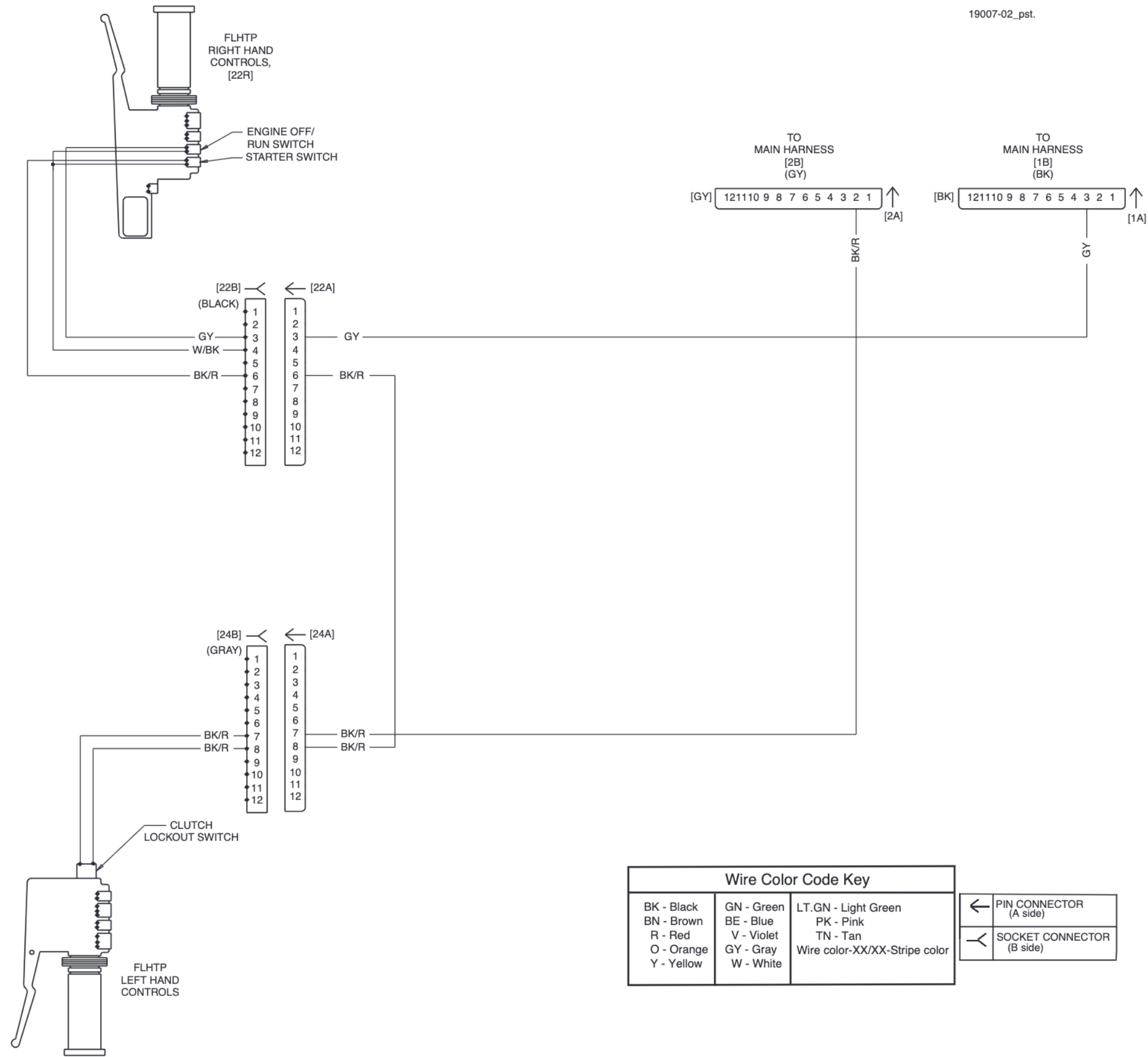


Wire Color Code Key		
BK - Black	GN - Green	LT.GN - Light Green
BN - Brown	BE - Blue	PK - Pink
R - Red	V - Violet	TN - Tan
O - Orange	GY - Gray	Wire color-XX/XX-Stripe color
Y - Yellow	W - White	

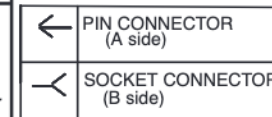
←	PIN CONNECTOR (A side)
↘	SOCKET CONNECTOR (B side)

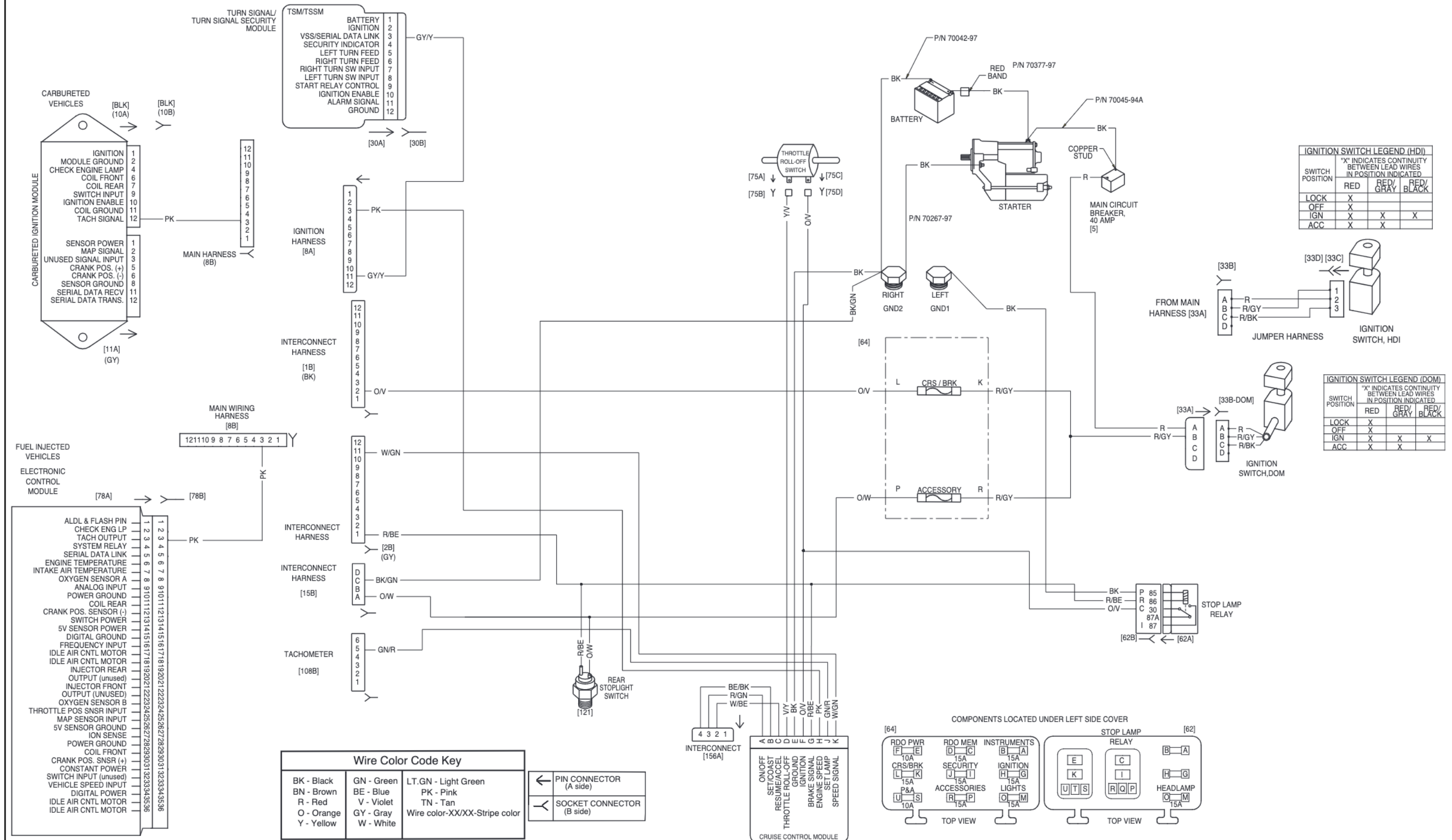






Wire Color Code Key		
BK - Black	GN - Green	LT.GN - Light Green
BN - Brown	BE - Blue	PK - Pink
R - Red	V - Violet	TN - Tan
O - Orange	GY - Gray	Wire color-XX/XX-Stripe color
Y - Yellow	W - White	





CRUISE

DASH PANEL MOUNTED SWITCHES
NOT INCLUDED ON FLHTP-FRG
"CRUISE" & "SPEAKER" SWITCHES
NOT INCLUDED ON FLHT, FLHTC, OR FLHTC-I

SPEEDOMETER

TACHOMETER
(REAR VIEW)

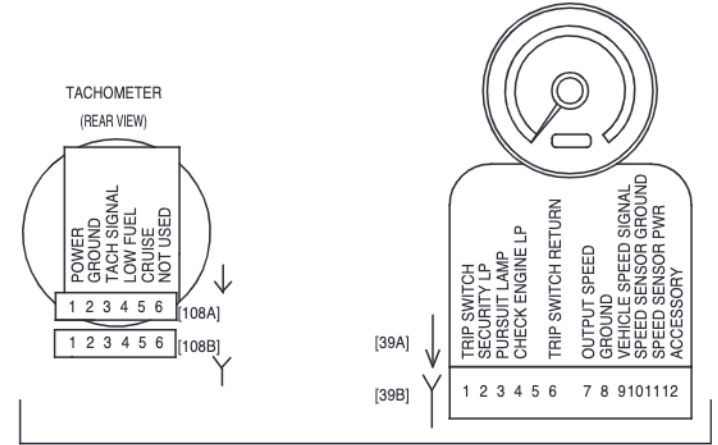
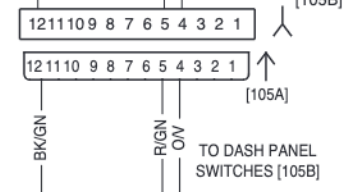
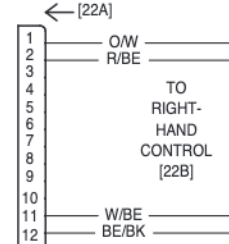
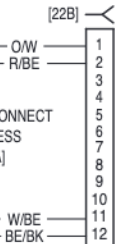
fd0027ax.

HAND CONTROLS,
RIGHT
ALL MODELS
EXCEPT
FLHTP

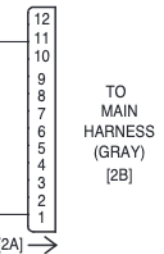
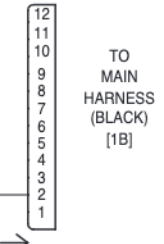
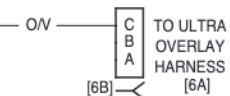
CRUISE SET/RESUME SWITCH
(ULTRA MODELS ONLY)

SWITCH POSITION	BLUE/BLACK	ORANGE/WHITE	WHITE/BLUE
SET	X	X	
RESUME		X	X

STOP LAMP SWITCH



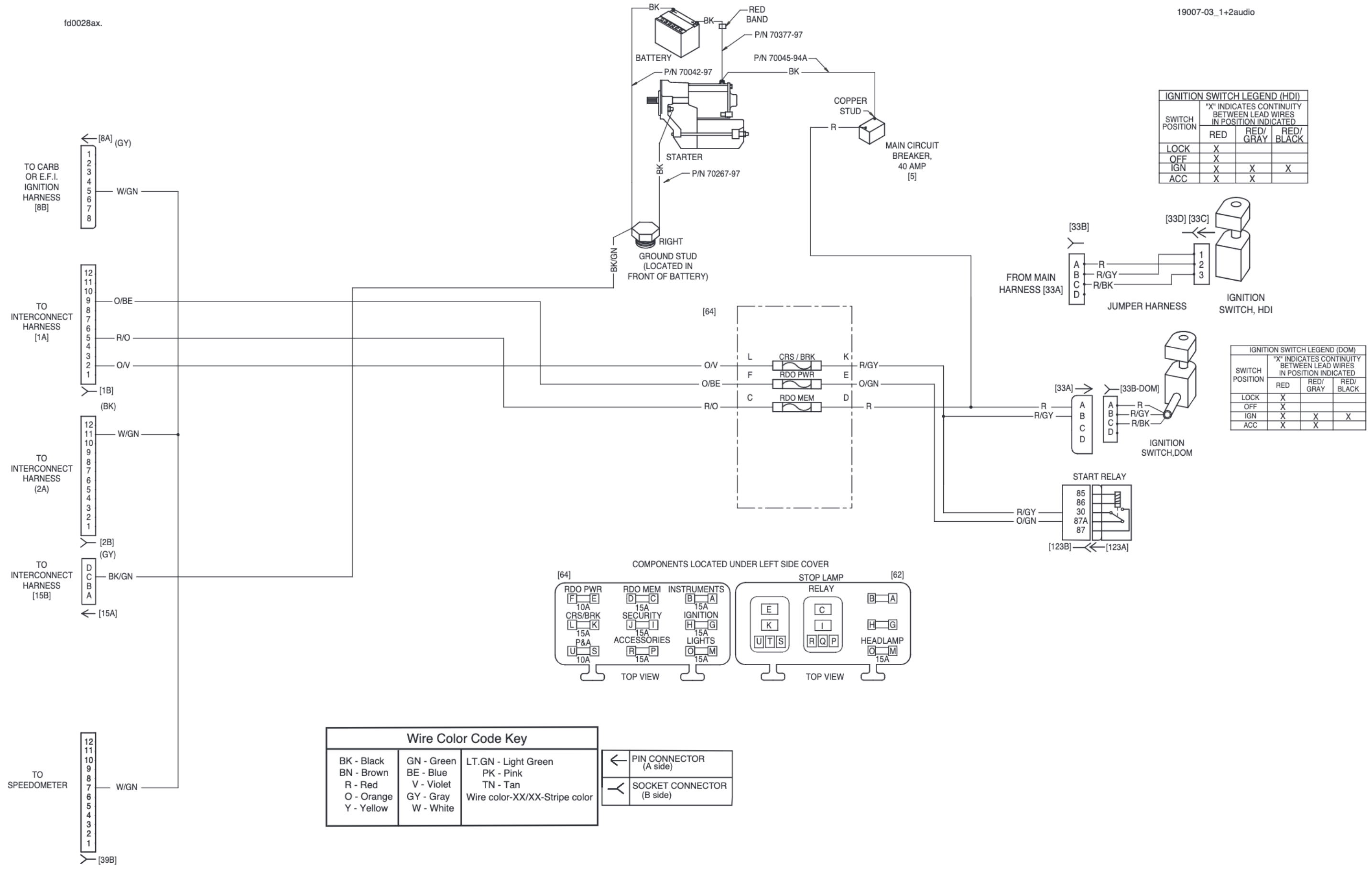
CONNECT TO MAIN HARNESS



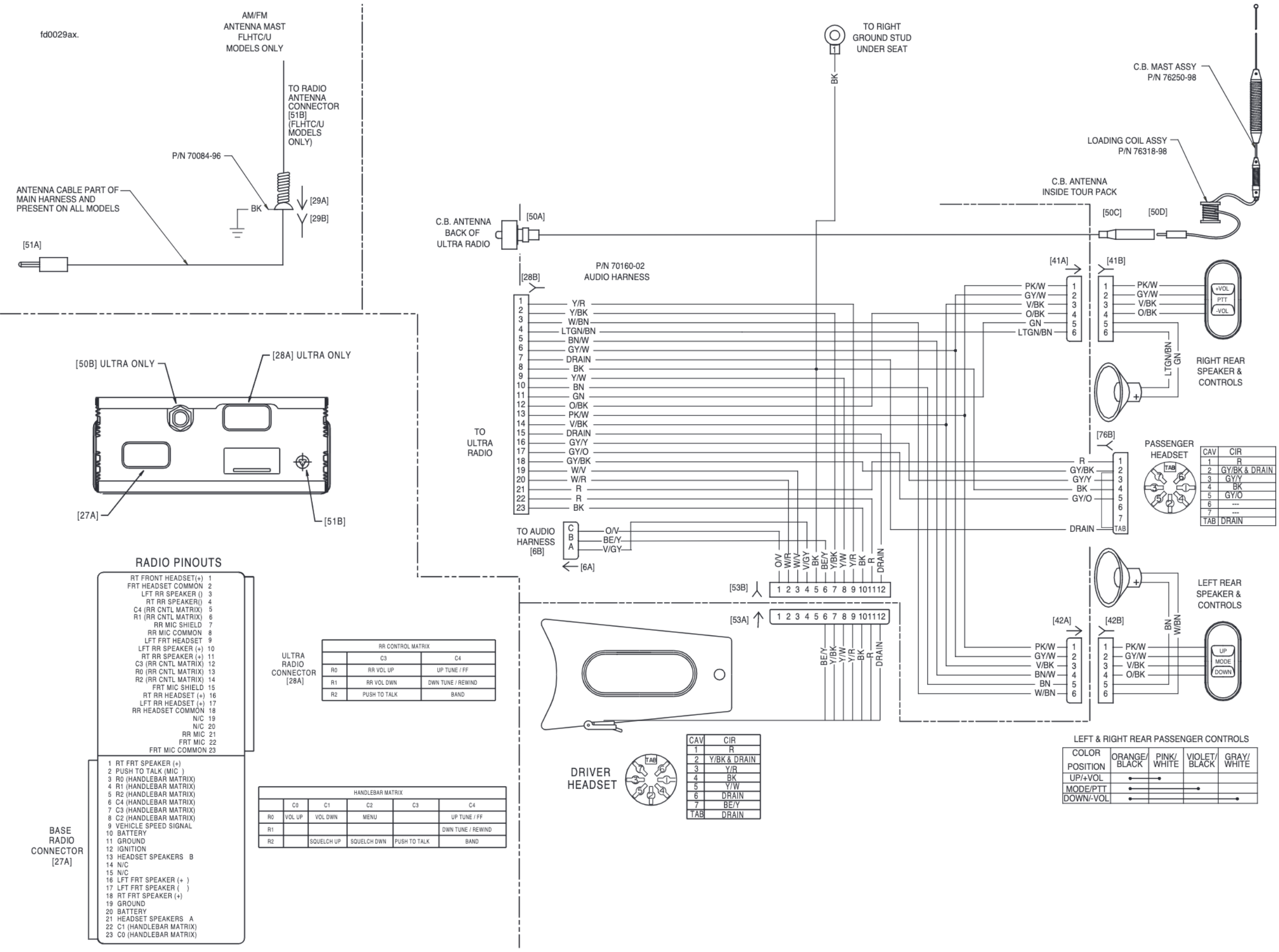
TO RADIO [27A]

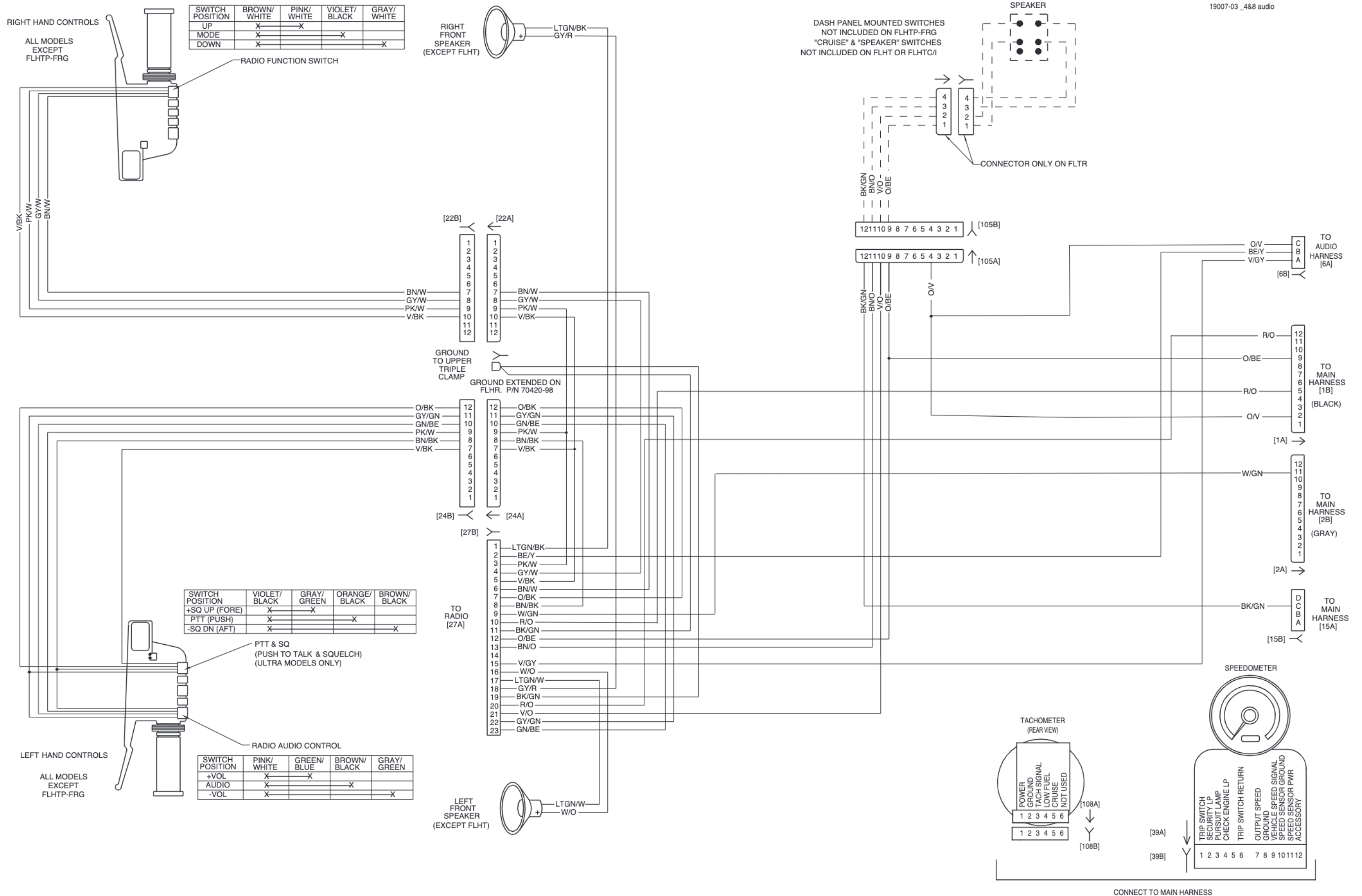


Wire Color Code Key			
BK - Black	GN - Green	LT.GN - Light Green	← PIN CONNECTOR (A side)
BN - Brown	BE - Blue	PK - Pink	
R - Red	V - Violet	TN - Tan	↙ SOCKET CONNECTOR (B side)
O - Orange	GY - Gray	Wire color-XX/XX-Stripe color	
Y - Yellow	W - White		



fd0029ax.



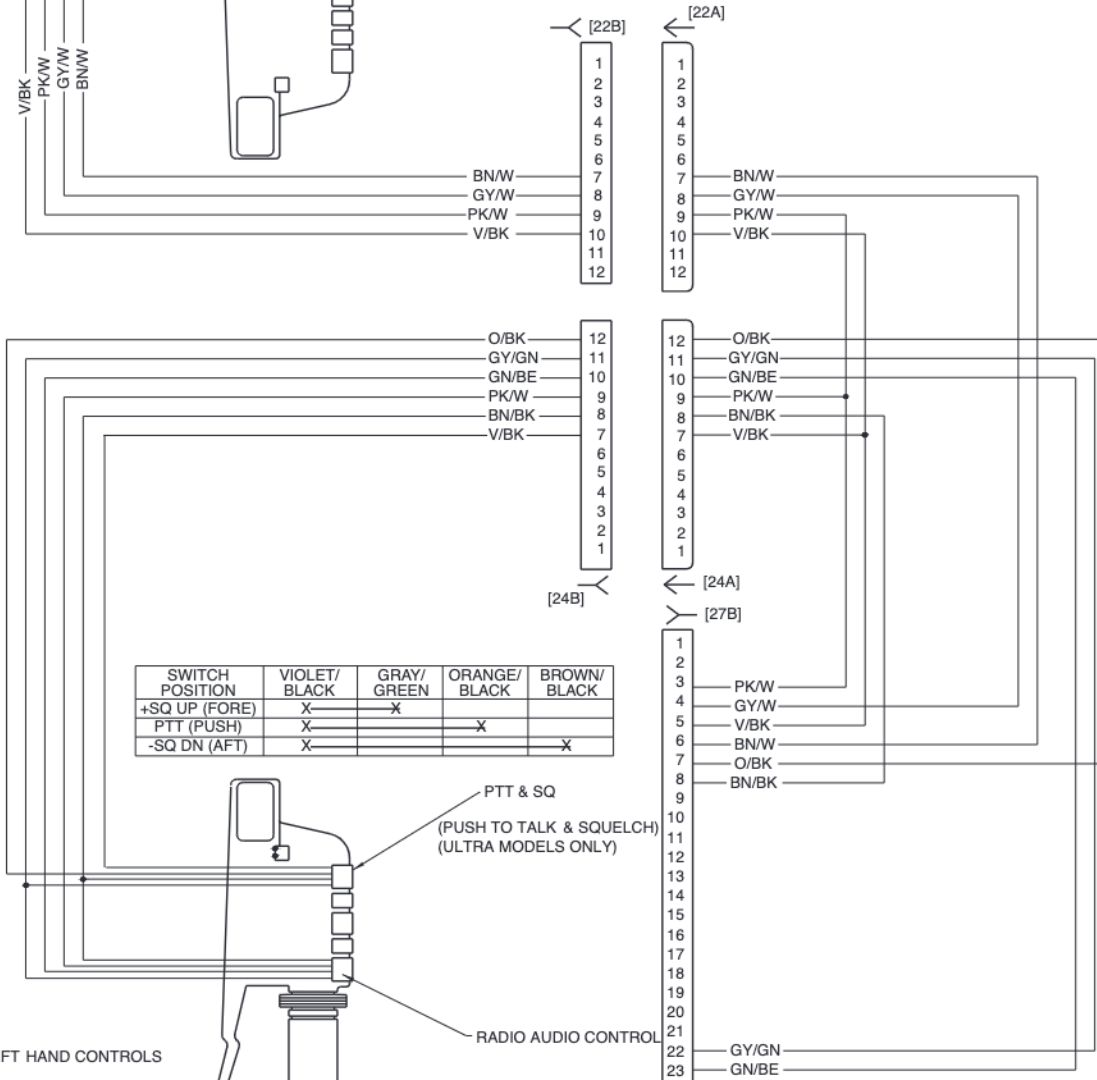


fd0031ax.

RIGHT HAND CONTROLS

SWITCH POSITION	BROWN/WHITE	PINK/WHITE	VIOLET/BLACK	GRAY/WHITE
UP	X	X		
MODE	X		X	
DOWN	X			X

ALL MODELS EXCEPT FLHTP-FRG
RADIO FUNCTION SWITCH



SWITCH POSITION	VIOLET/BLACK	GRAY/GREEN	ORANGE/BLACK	BROWN/BLACK
+SQ UP (FORE)	X	X		
PTT (PUSH)	X		X	
-SQ DN (AFT)	X			X

PTT & SQ
(PUSH TO TALK & SQUELCH)
(ULTRA MODELS ONLY)

LEFT HAND CONTROLS

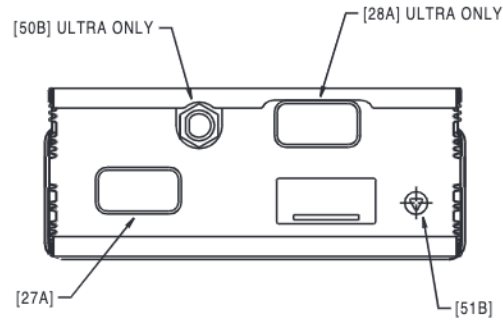
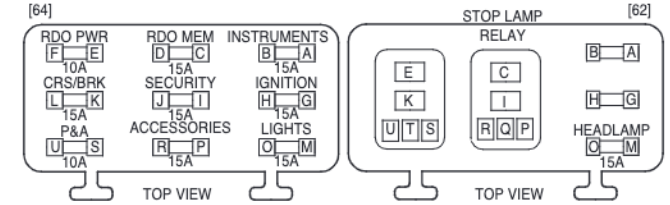
ALL MODELS EXCEPT FLHTP-FRG

SWITCH POSITION	PINK/WHITE	GREEN/BLUE	BROWN/BLACK	GRAY/GREEN
+VOL	X	X		
AUDIO	X		X	
-VOL	X			X

RADIO AUDIO CONTROL

TO ULTRA RADIO

COMPONENTS LOCATED UNDER LEFT SIDE COVER



RADIO PINOUTS

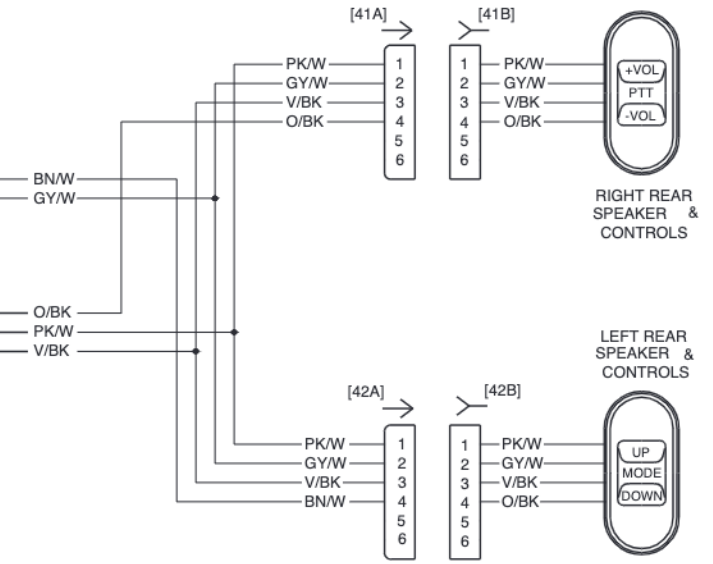
- 1 RT FRONT HEADSET(+)
- 2 FRT HEADSET COMMON
- 3 LFT RR SPEAKER (-)
- 4 RT RR SPEAKER(+)
- 5 C4 (RR CNTL MATRIX)
- 6 R1 (RR CNTL MATRIX)
- 7 RR MIC SHIELD
- 8 RR MIC COMMON
- 9 LFT FRT HEADSET
- 10 LFT RR SPEAKER (+)
- 11 RT RR SPEAKER (+)
- 12 C3 (RR CNTL MATRIX)
- 13 R0 (RR CNTL MATRIX)
- 14 R2 (RR CNTL MATRIX)
- 15 FRT MIC SHIELD
- 16 RT RR HEADSET (+)
- 17 LFT RR HEADSET (+)
- 18 RR HEADSET COMMON
- 19 N/C
- 20 N/C
- 21 RR MIC
- 22 FRT MIC
- 23 FRT MIC COMMON

RR CONTROL MATRIX			
	C3	C4	
R0	RR VOL UP	UP TUNE / FF	
R1	RR VOL DWN	DWN TUNE / REWIND	
R2	PUSH TO TALK	BAND	

HANDLEBAR MATRIX				
	C0	C1	C2	C4
R0	VOL UP	VOL DWN	MENU	UP TUNE / FF
R1				DWN TUNE / REWIND
R2	SQUELCH UP	SQUELCH DWN	PUSH TO TALK	BAND

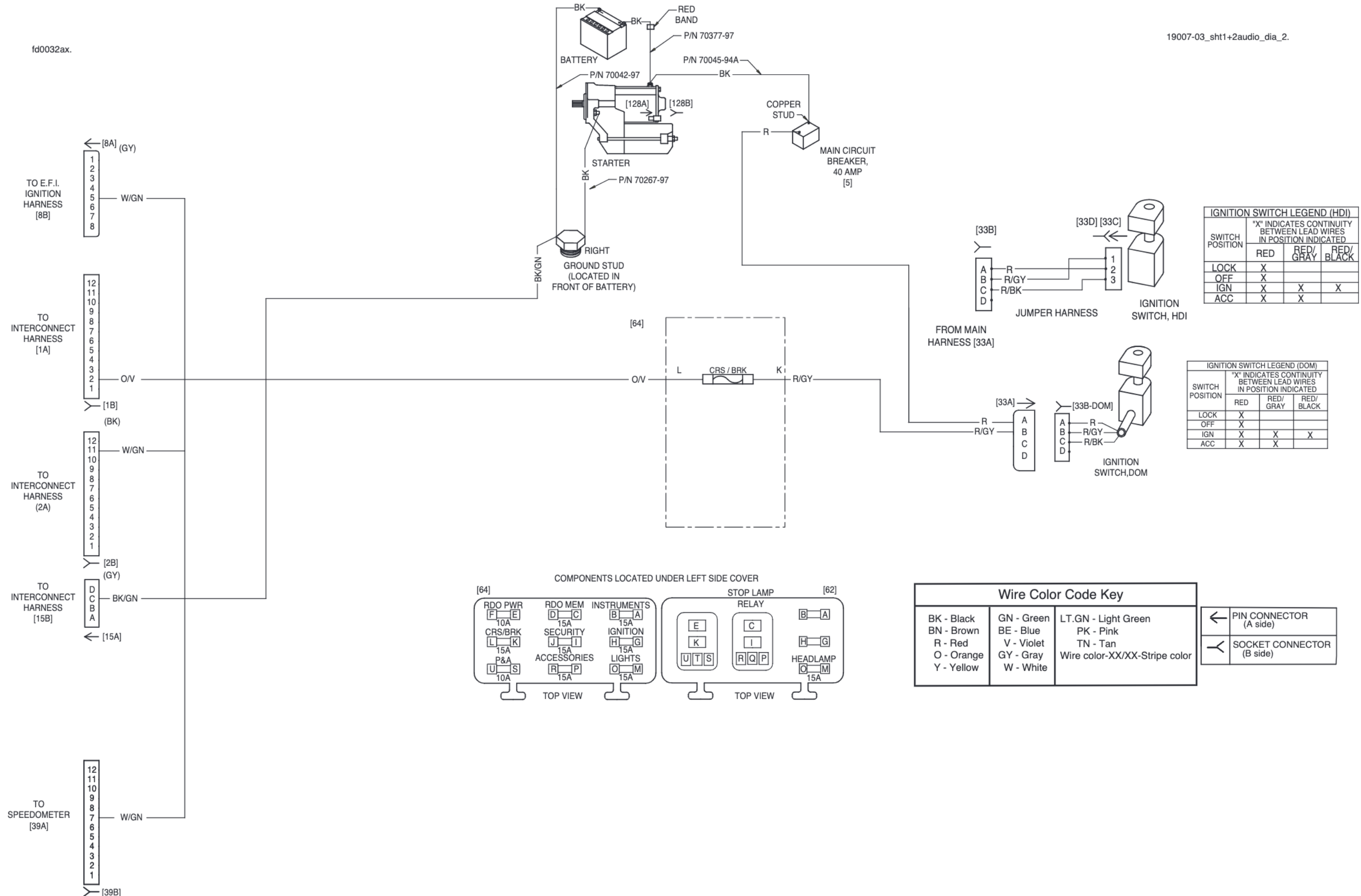
BASE RADIO CONNECTOR [27A]

- 1 RT FRT SPEAKER (+)
- 2 PUSH TO TALK (MIC)
- 3 R0 (HANDLEBAR MATRIX)
- 4 R1 (HANDLEBAR MATRIX)
- 5 R2 (HANDLEBAR MATRIX)
- 6 C4 (HANDLEBAR MATRIX)
- 7 C3 (HANDLEBAR MATRIX)
- 8 C2 (HANDLEBAR MATRIX)
- 9 VEHICLE SPEED SIGNAL
- 10 BATTERY
- 11 GROUND
- 12 IGNITION
- 13 HEADSET SPEAKERS B
- 14 N/C
- 15 N/C
- 16 LFT FRT SPEAKER (+)
- 17 LFT FRT SPEAKER (-)
- 18 RT FRT SPEAKER (+)
- 19 GROUND
- 20 BATTERY
- 21 HEADSET SPEAKERS A
- 22 C1 (HANDLEBAR MATRIX)
- 23 C0 (HANDLEBAR MATRIX)



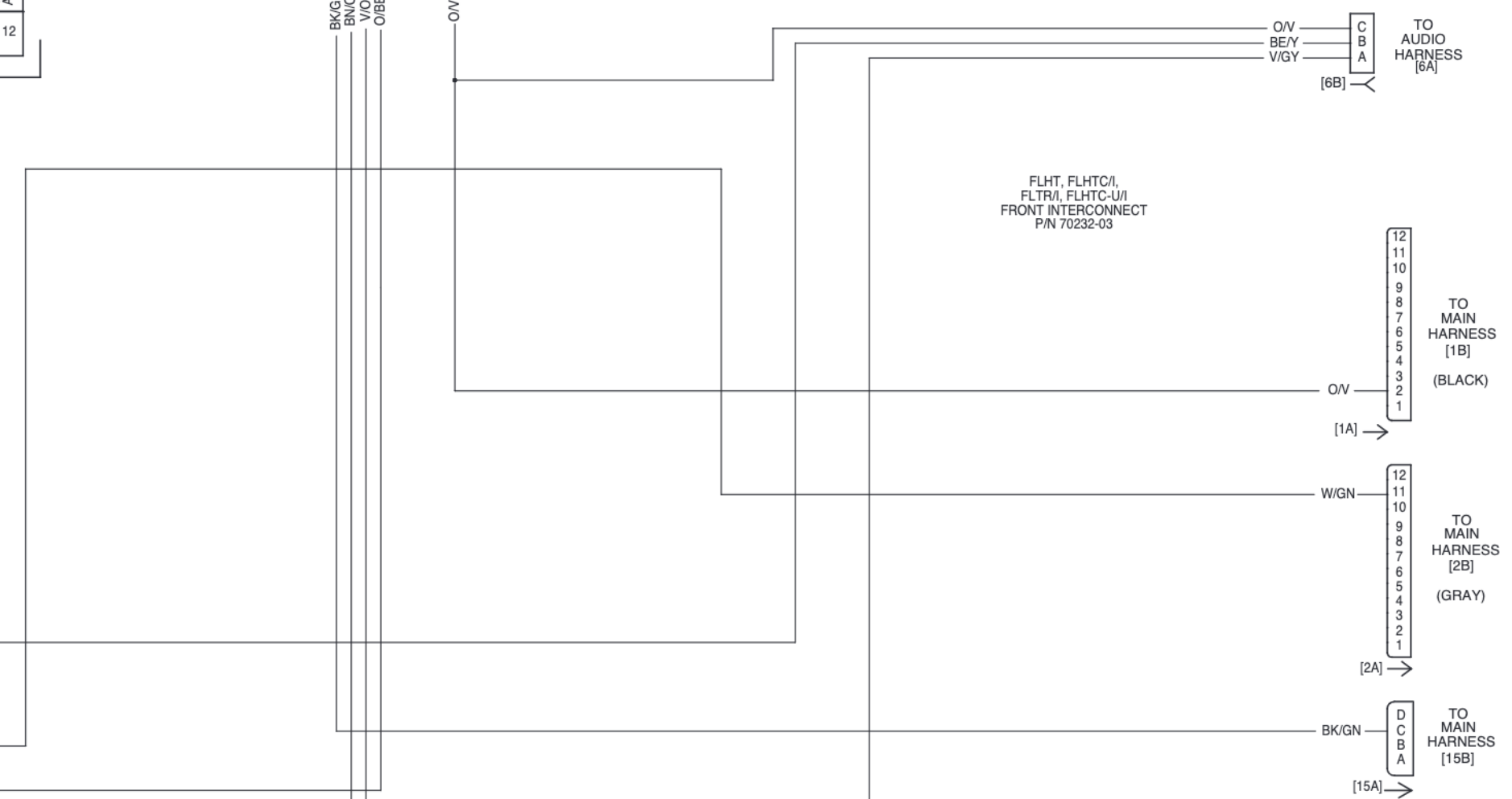
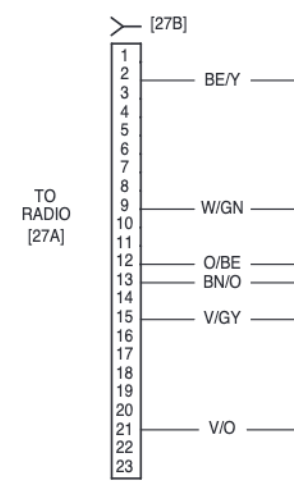
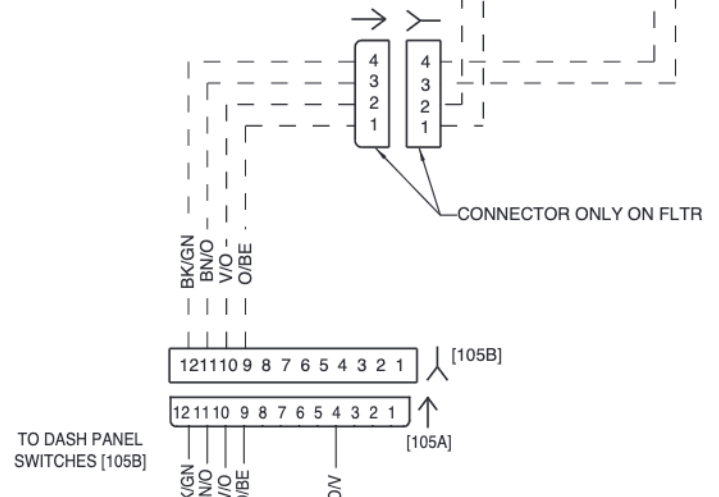
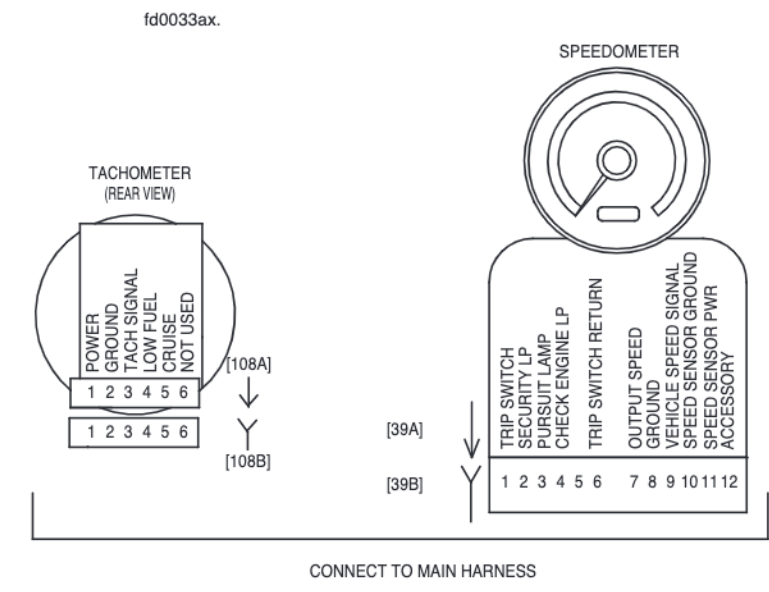
LEFT & RIGHT REAR PASSENGER CONTROLS

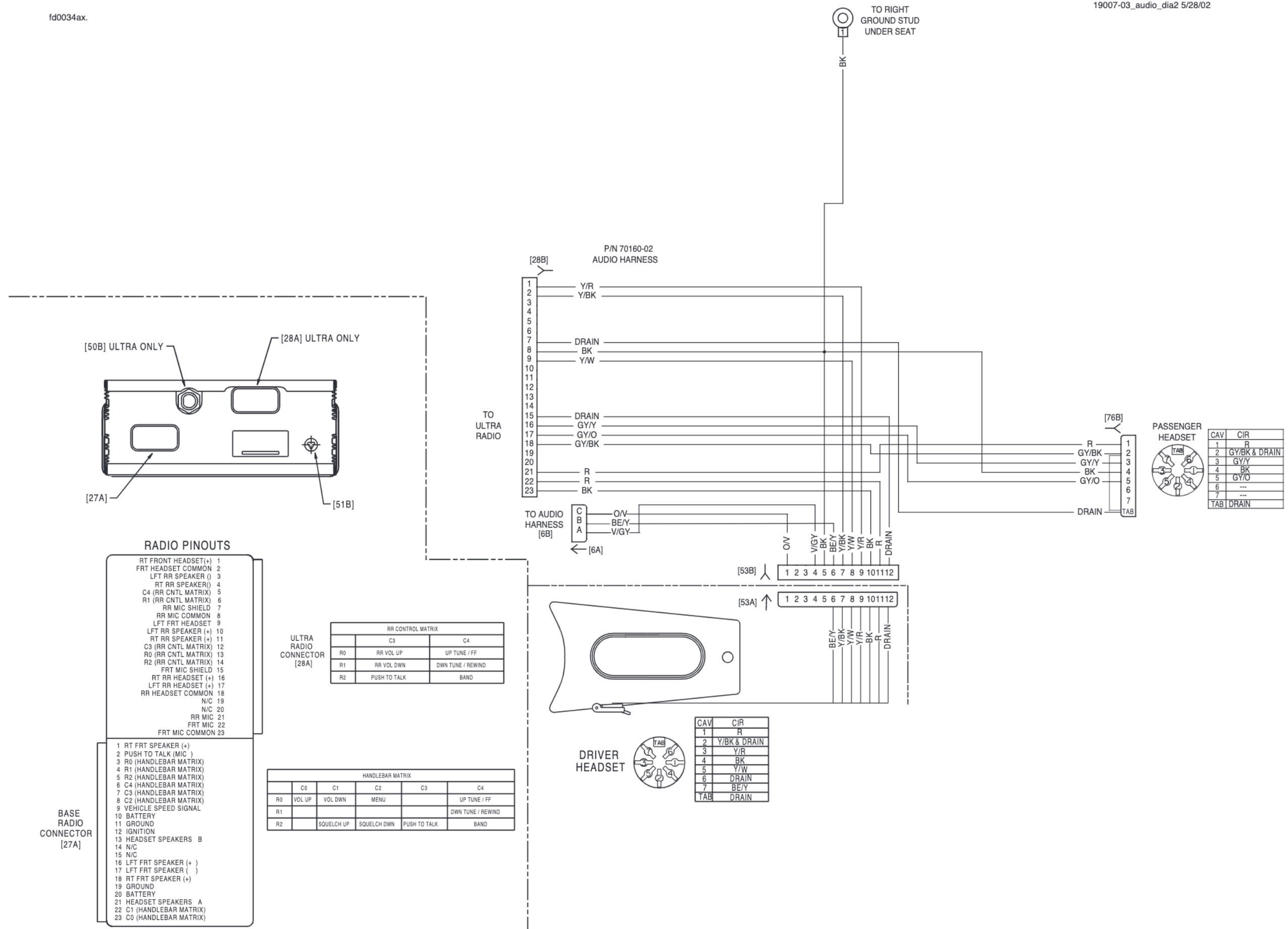
COLOR POSITION	ORANGE/BLACK	PINK/WHITE	VIOLET/BLACK	GRAY/WHITE
UP/+VOL		X		
MODE/PTT			X	
DOWN/-VOL				X



DASH PANEL MOUNTED SWITCHES
 NOT INCLUDED ON FLHTP-FRG
 "CRUISE" & "SPEAKER" SWITCHES
 NOT INCLUDED ON FLHT OR FLHTC/I

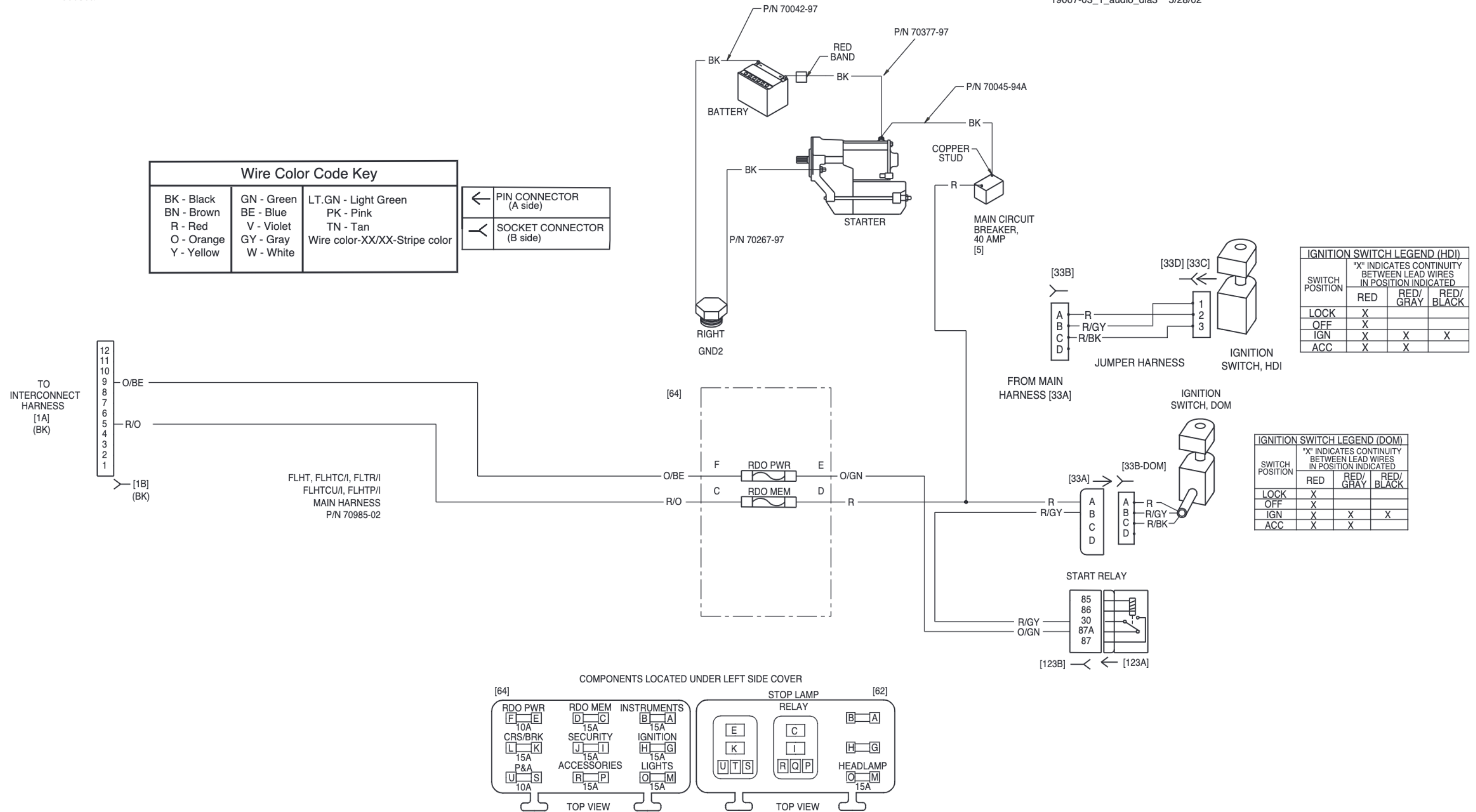
19007-03_8_audio_dia2 5/28/02

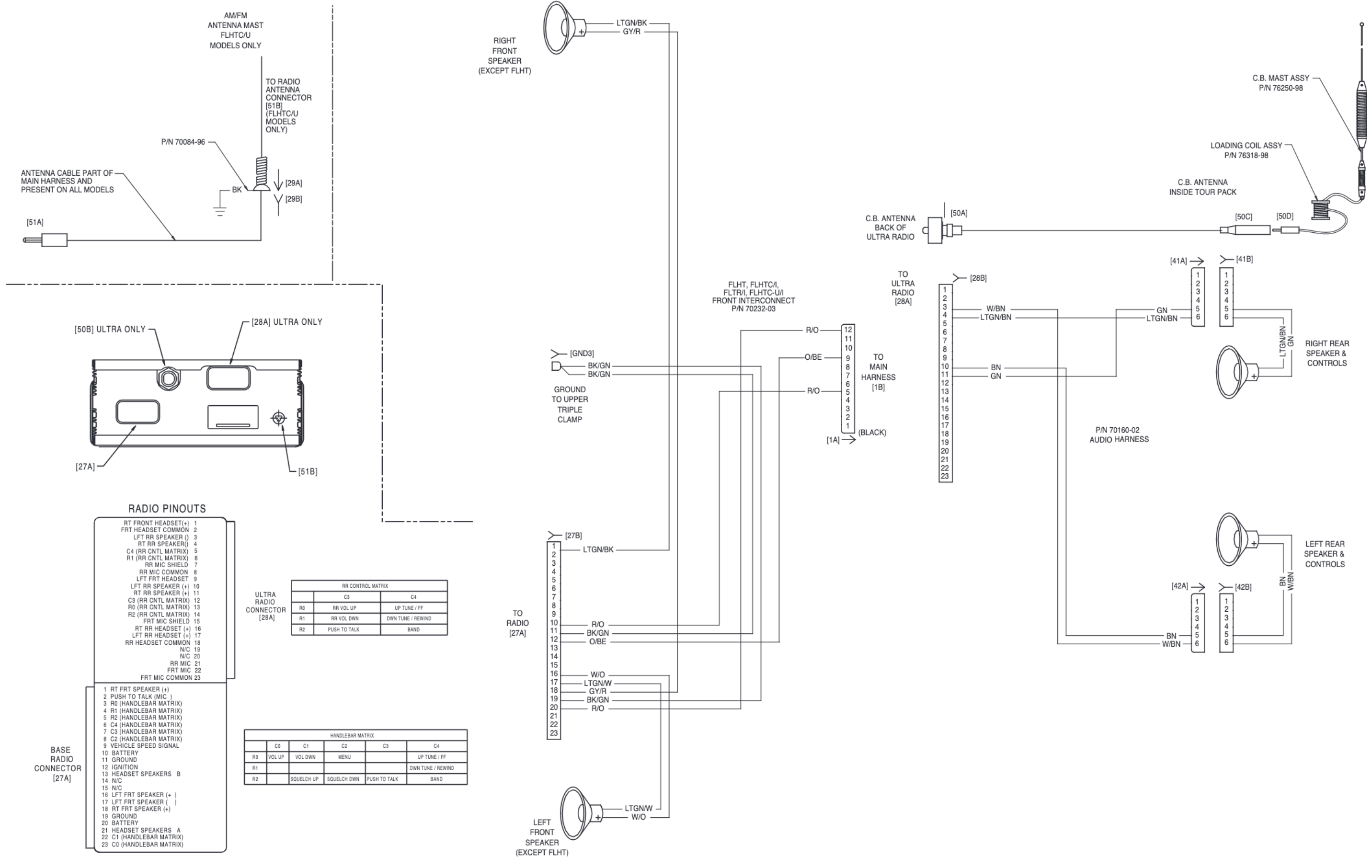


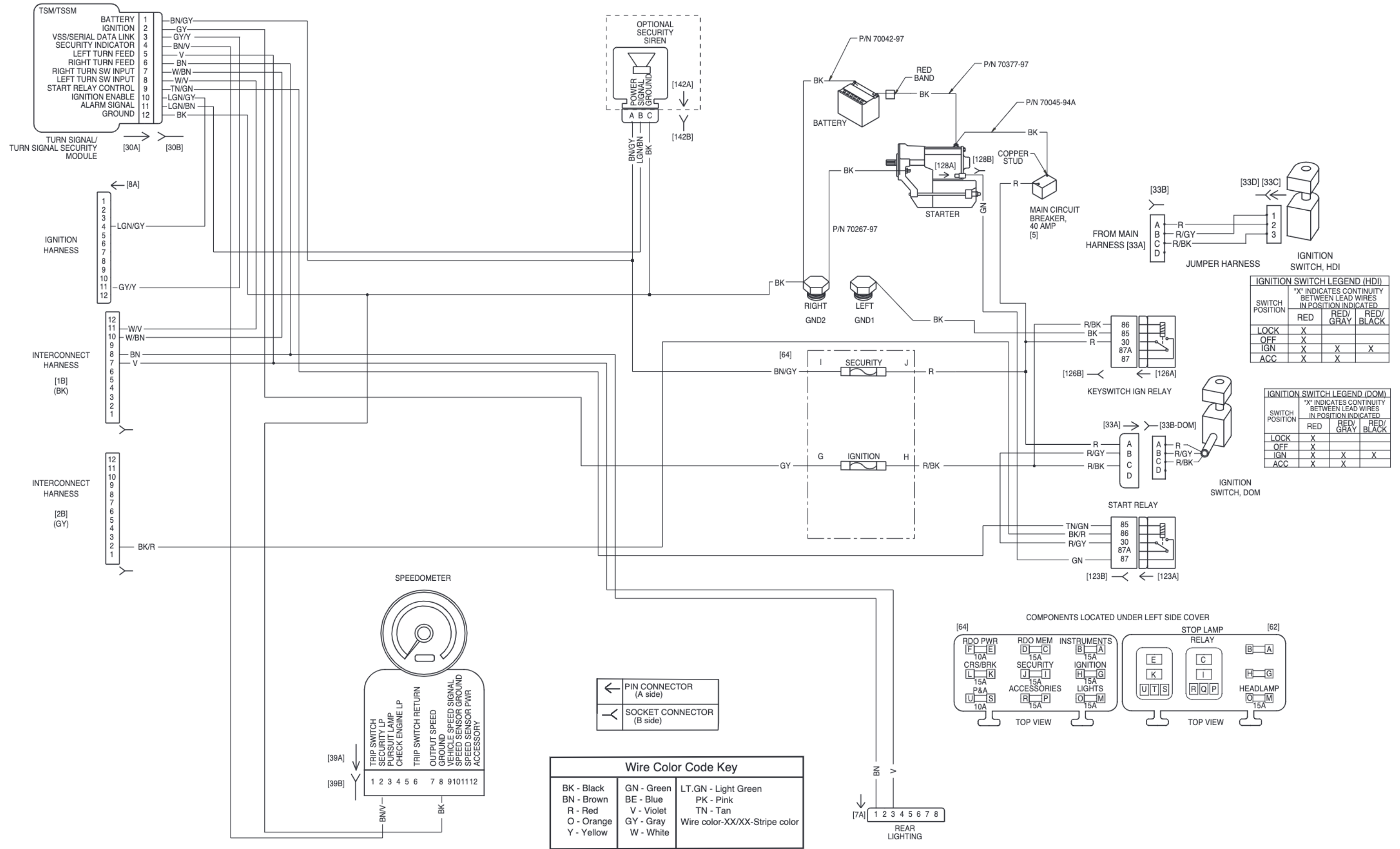


Wire Color Code Key		
BK - Black	GN - Green	LT.GN - Light Green
BN - Brown	BE - Blue	PK - Pink
R - Red	V - Violet	TN - Tan
O - Orange	GY - Gray	Wire color-XX/XX-Stripe color
Y - Yellow	W - White	

←	PIN CONNECTOR (A side)
↔	SOCKET CONNECTOR (B side)

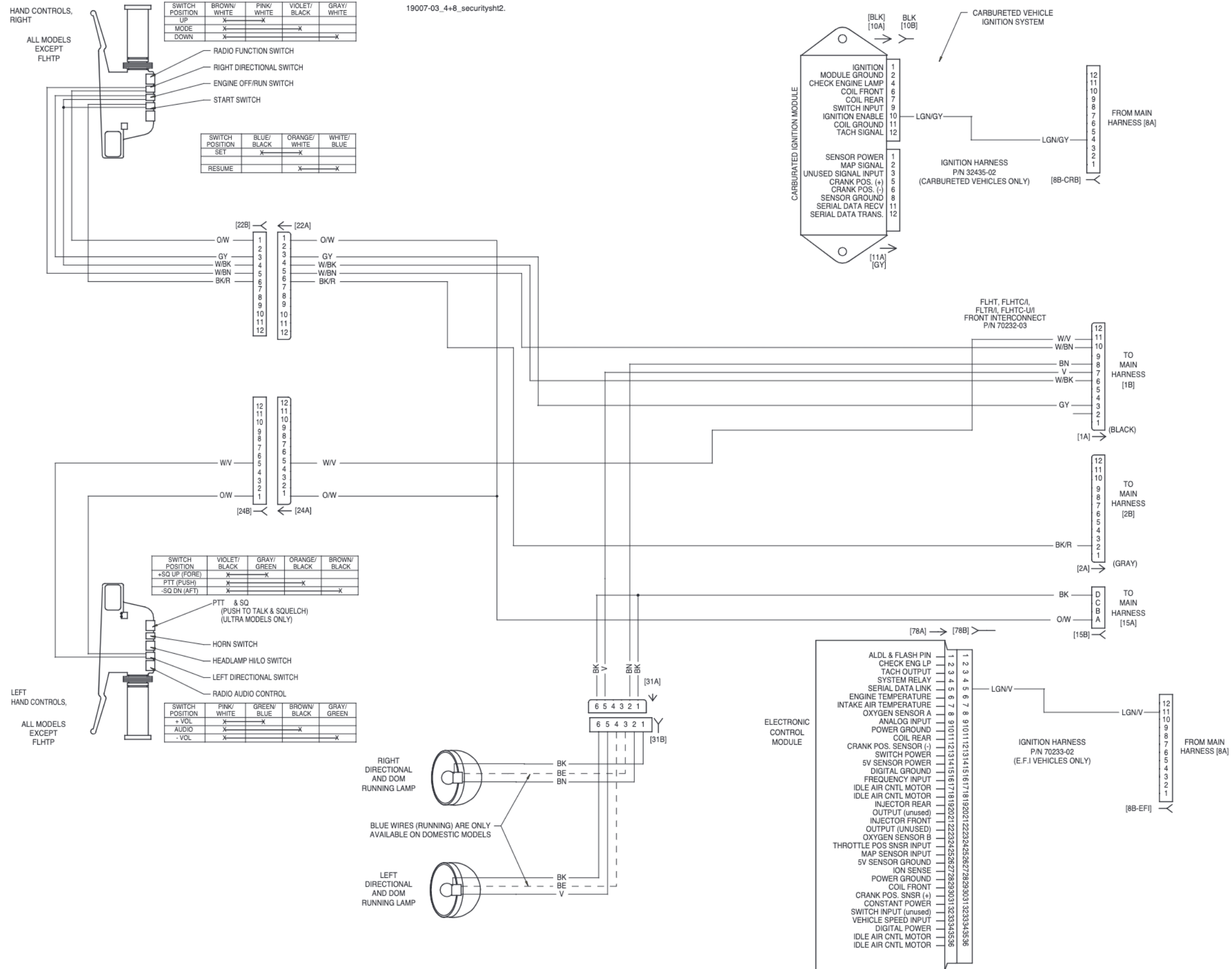


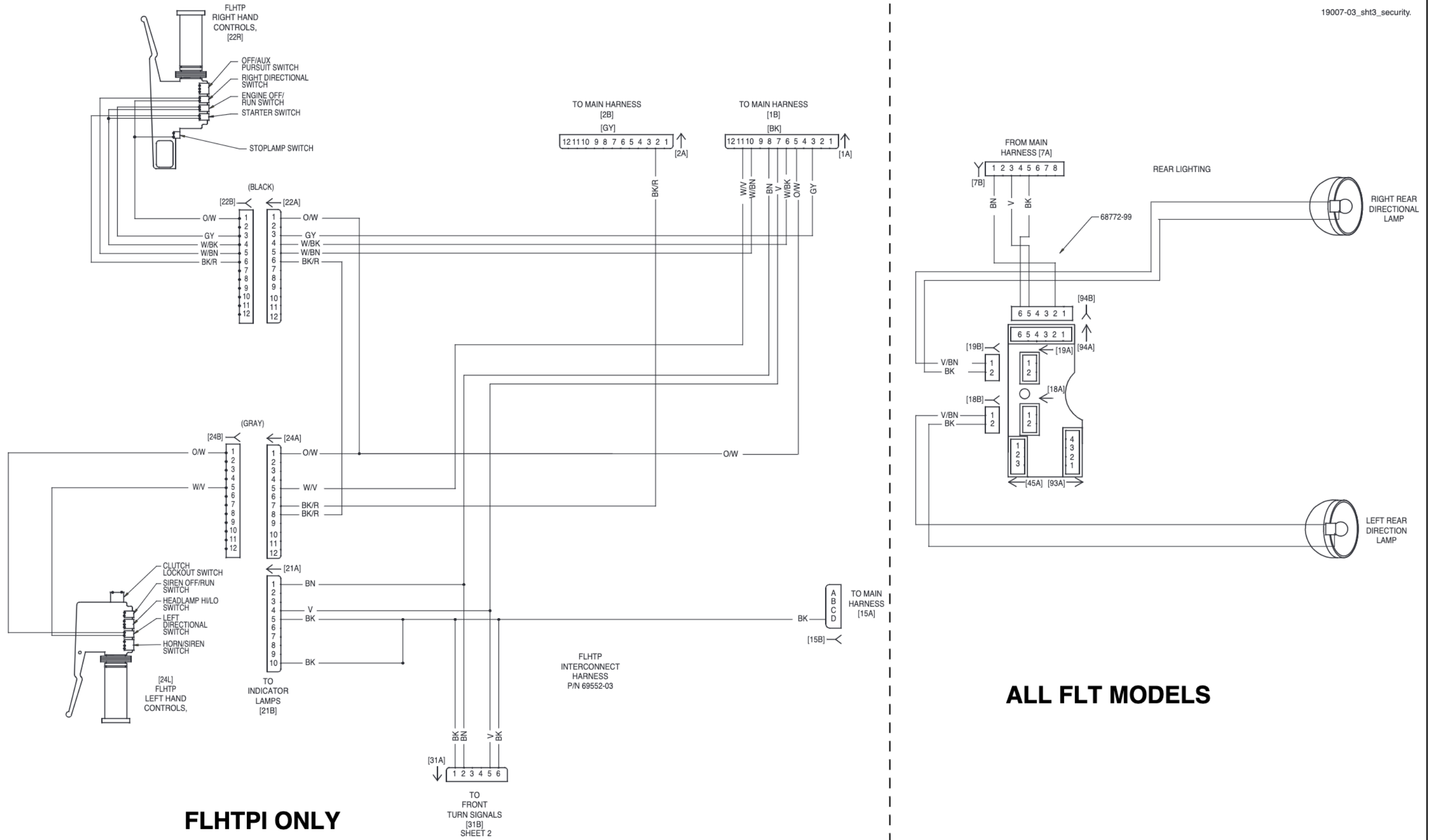


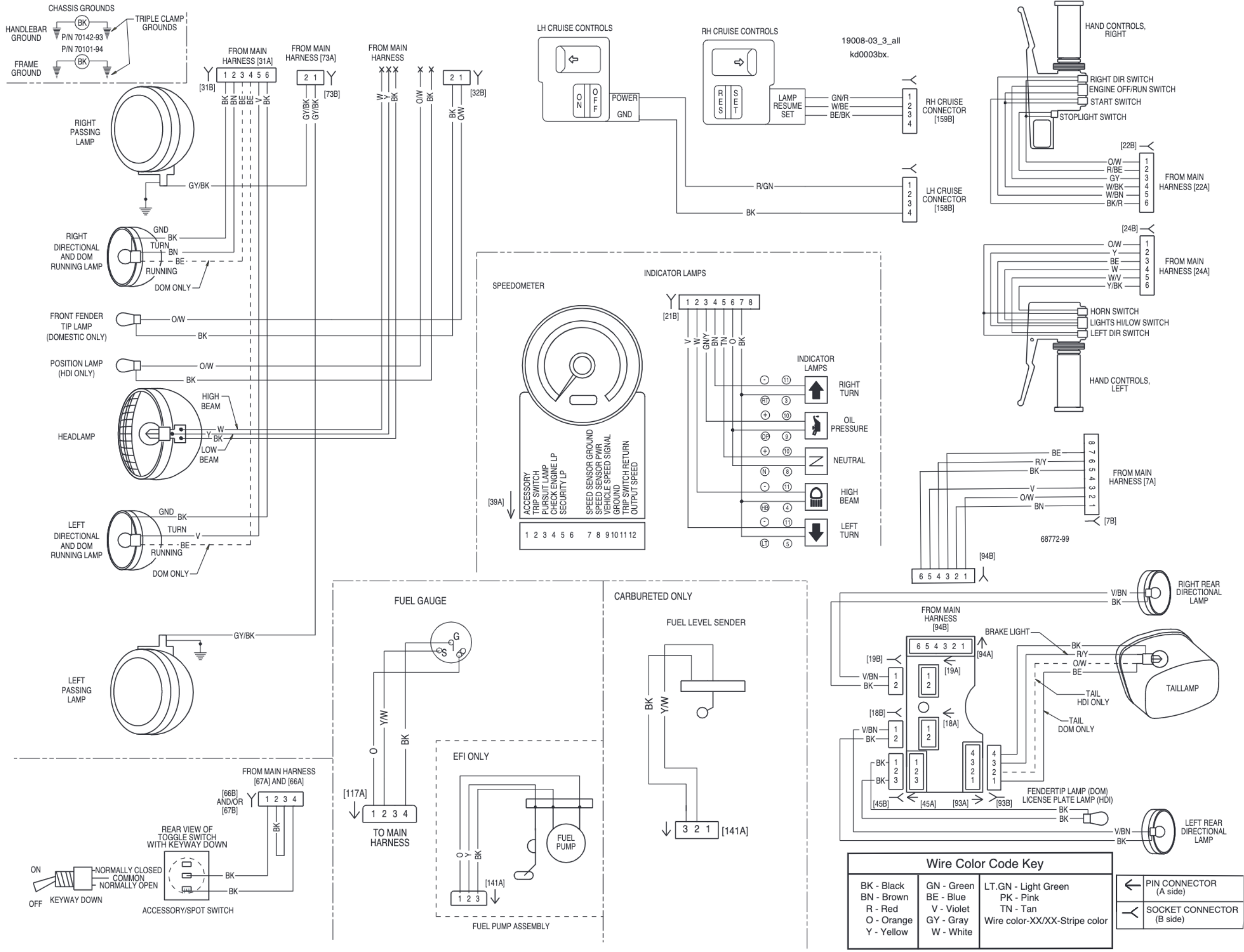


fd0038ax.

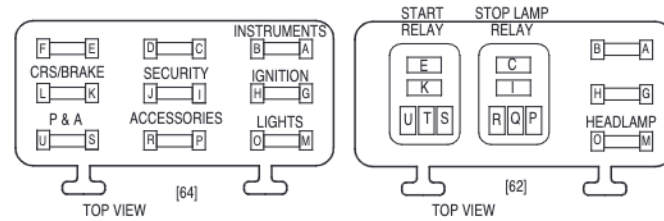
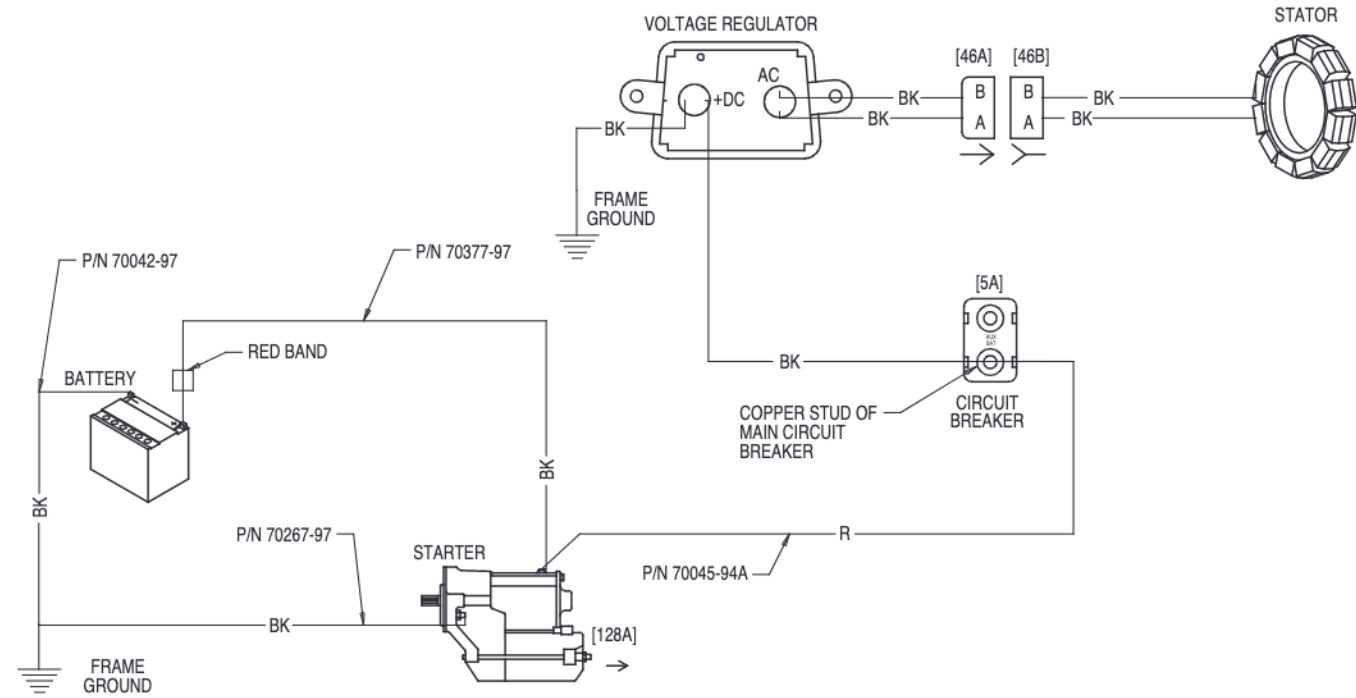
19007-03_4+8_securitysh2.



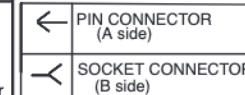




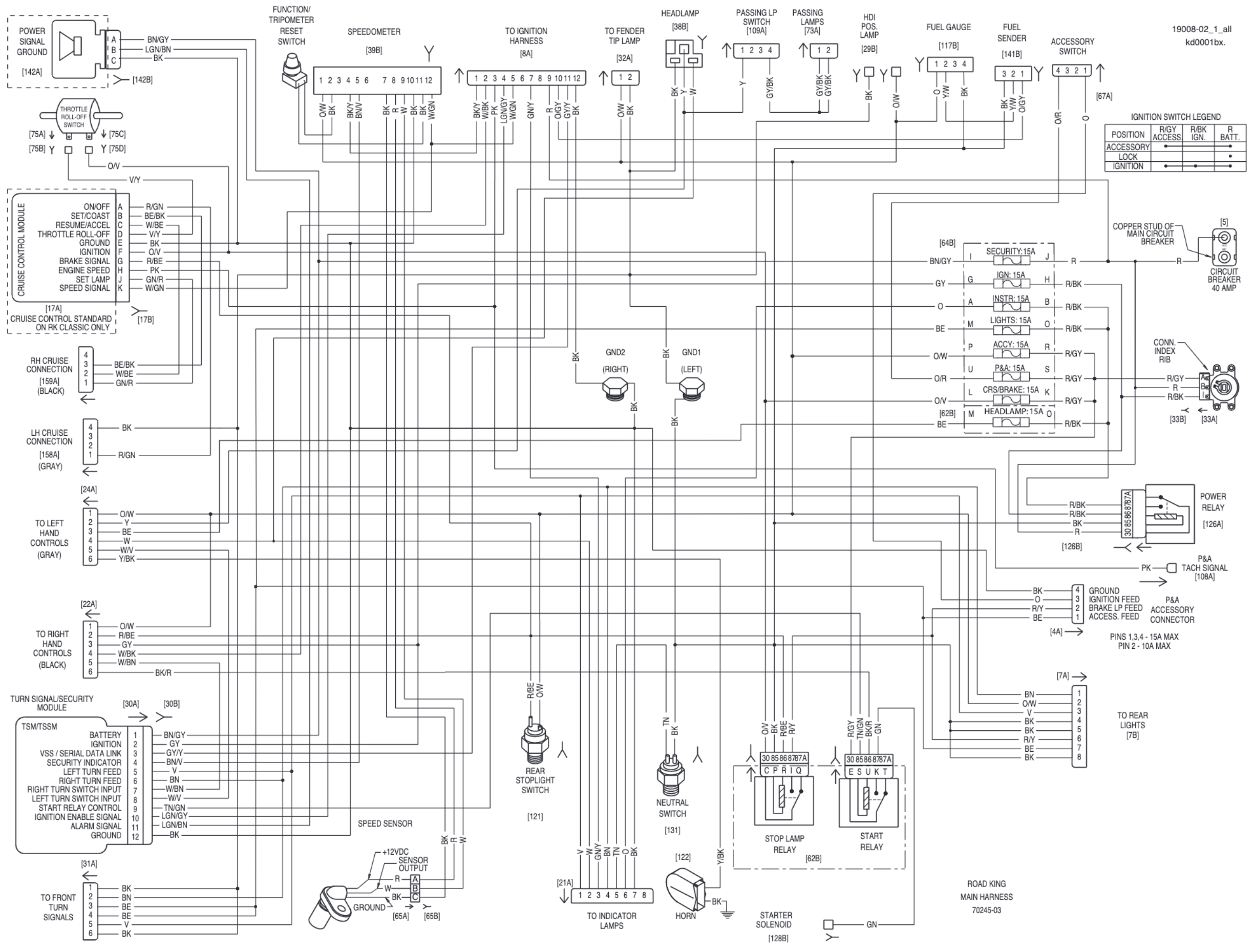
kd0004ax.



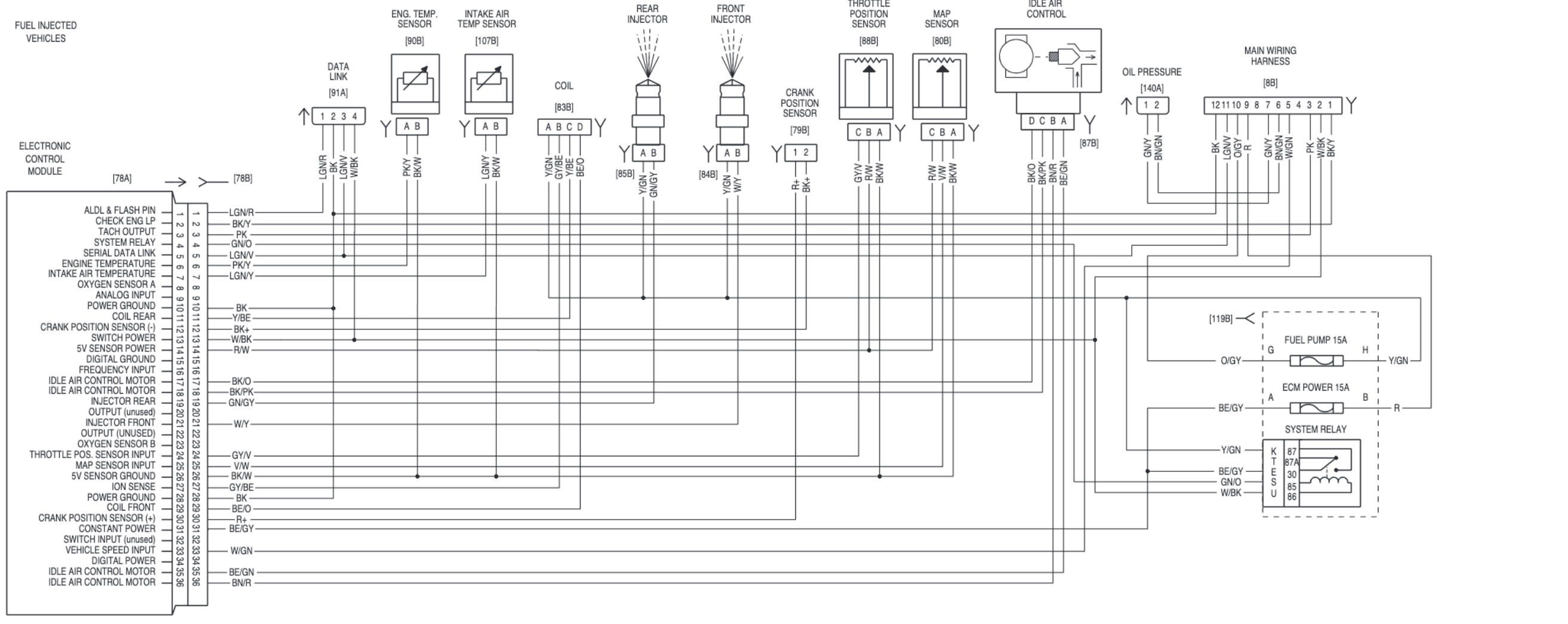
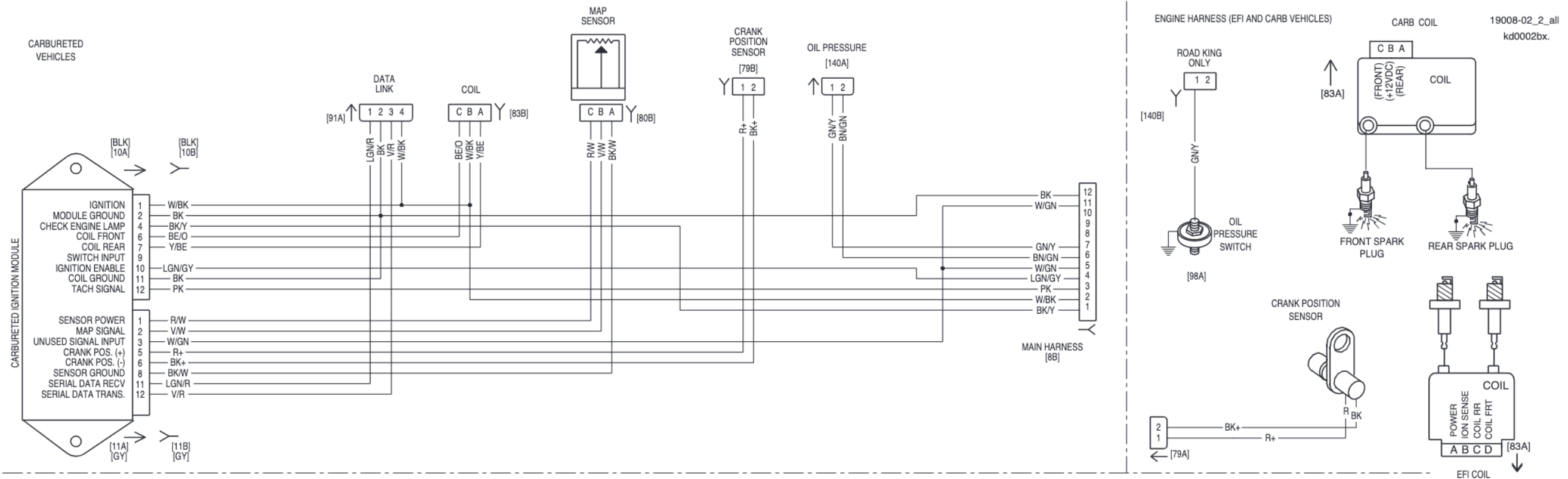
Wire Color Code Key		
BK - Black	GN - Green	LT.GN - Light Green
BN - Brown	BE - Blue	PK - Pink
R - Red	V - Violet	TN - Tan
O - Orange	GY - Gray	Wire color-XX/XX-Stripe color
Y - Yellow	W - White	



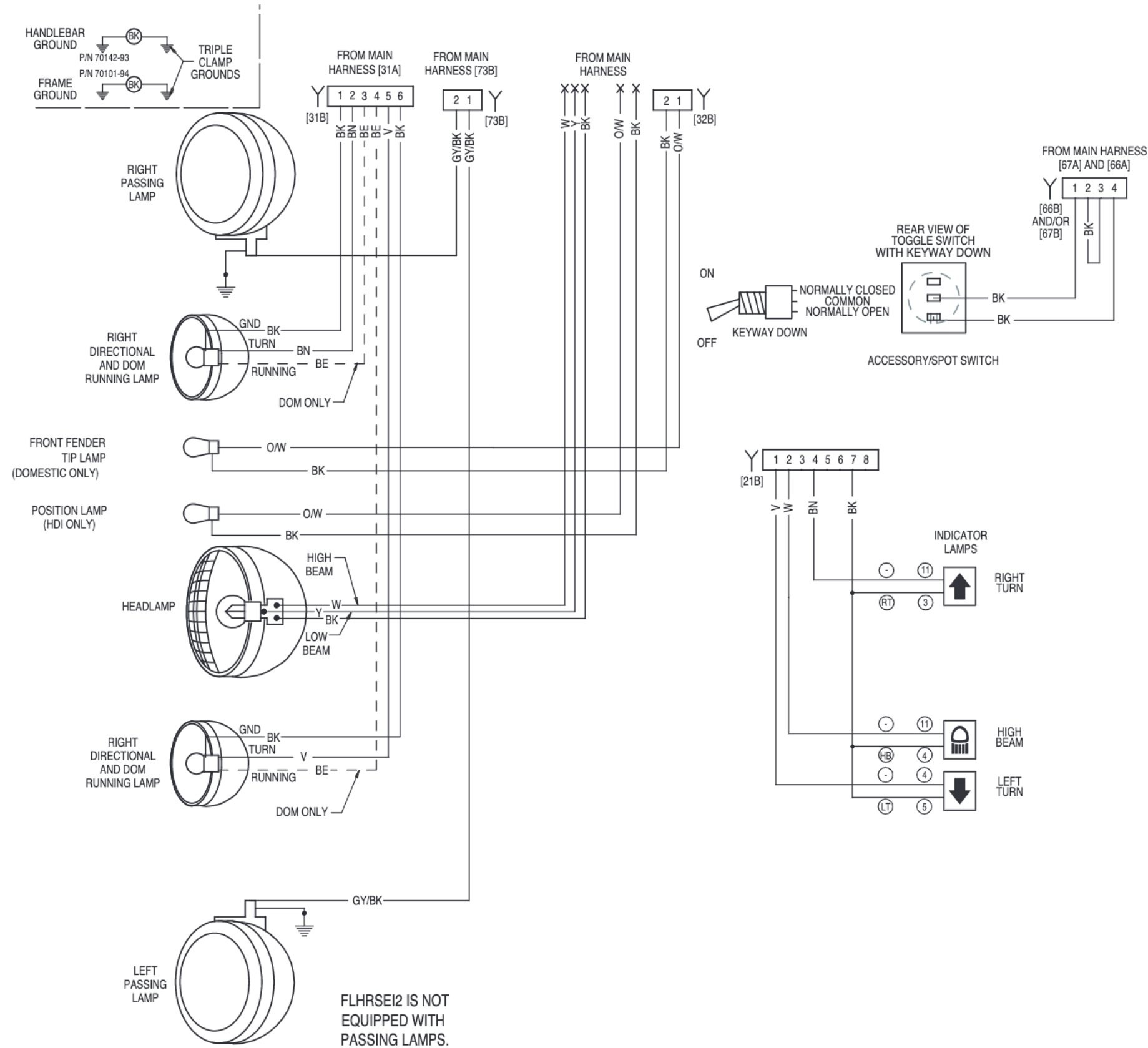
IGNITION SWITCH LEGEND			
POSITION	A RED/ GREY	I RED/ BLACK	B RED
ACCESSORY	•	•	•
OFF	•	•	•
IGNITION	•	•	•



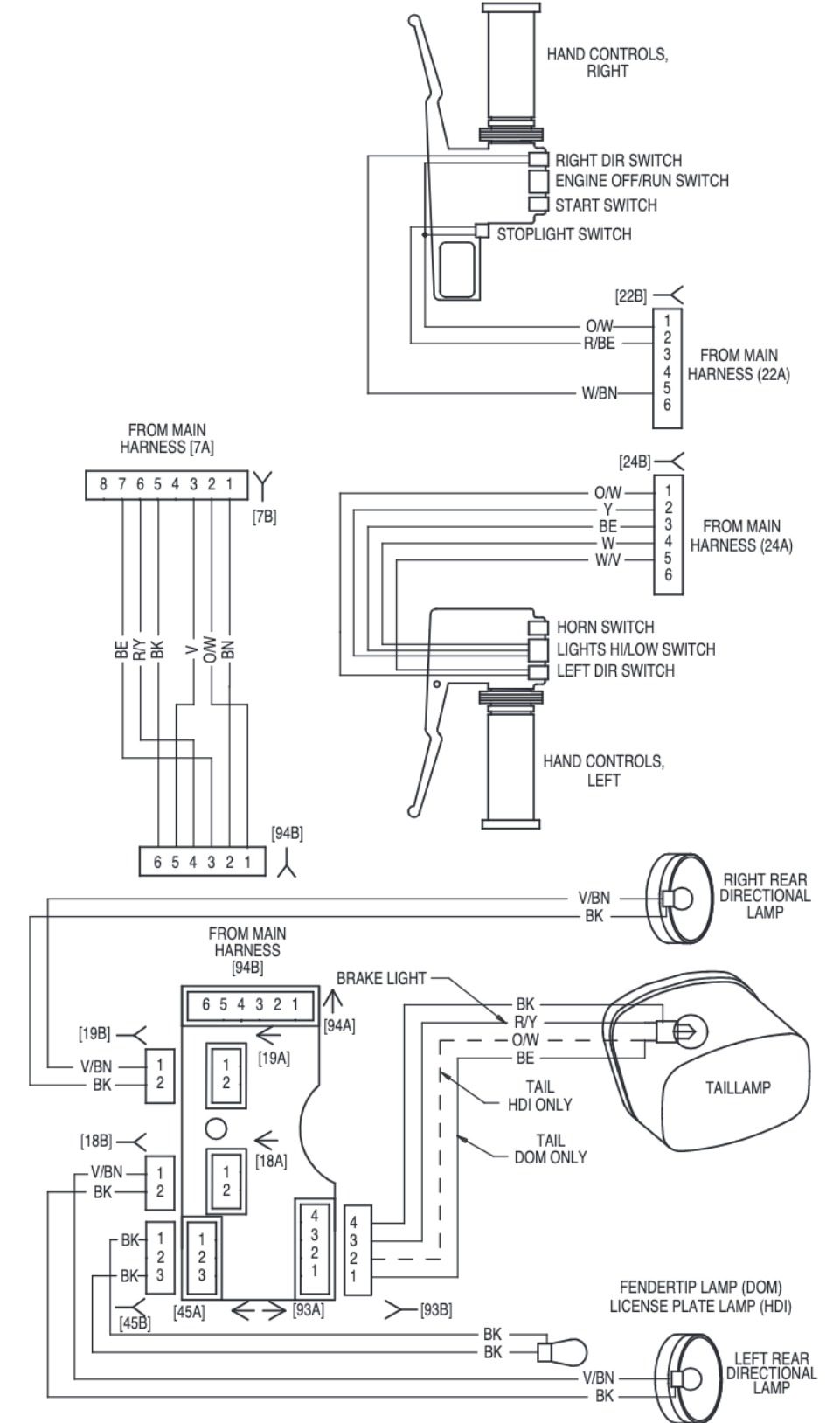
2003 ALL FLHR/C/SEI2 DOMESTIC AND INTERNATIONAL MODELS, MAIN HARNESS, SHEET 3 OF 4



kd0005ax.



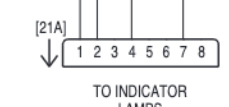
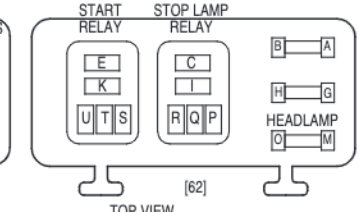
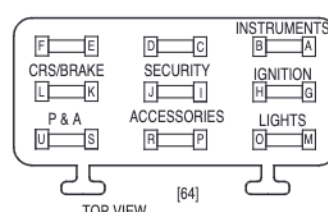
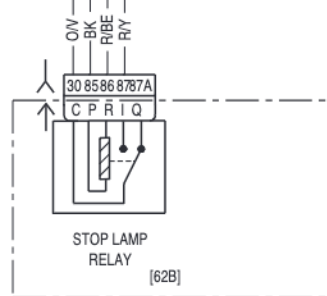
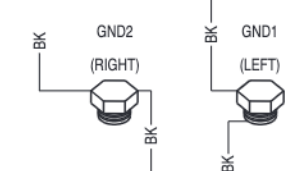
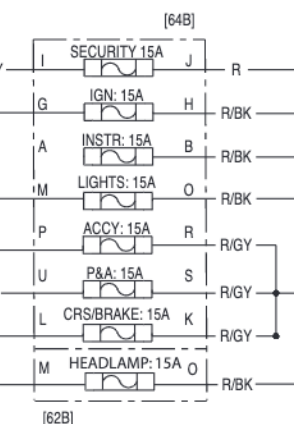
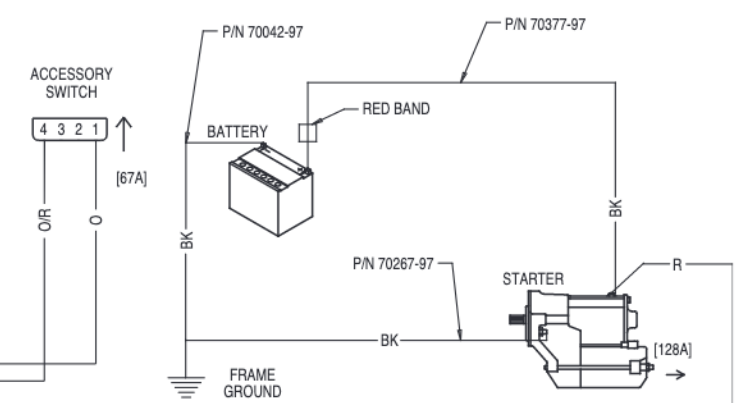
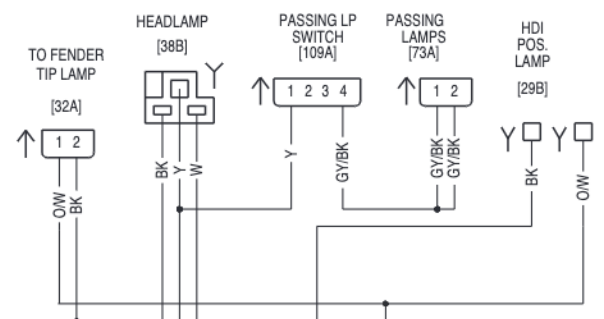
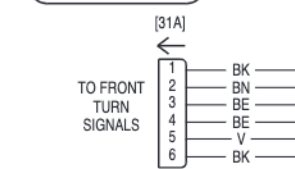
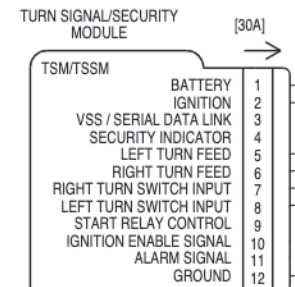
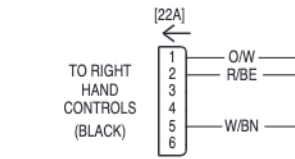
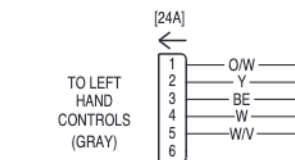
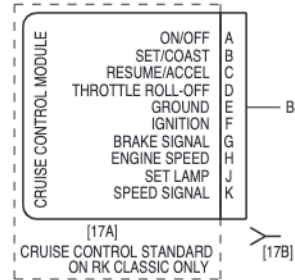
19008-03sht1_lighting.



kd0006ax.

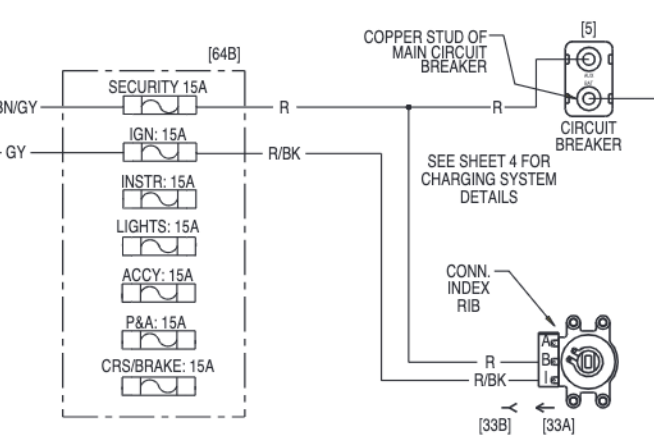
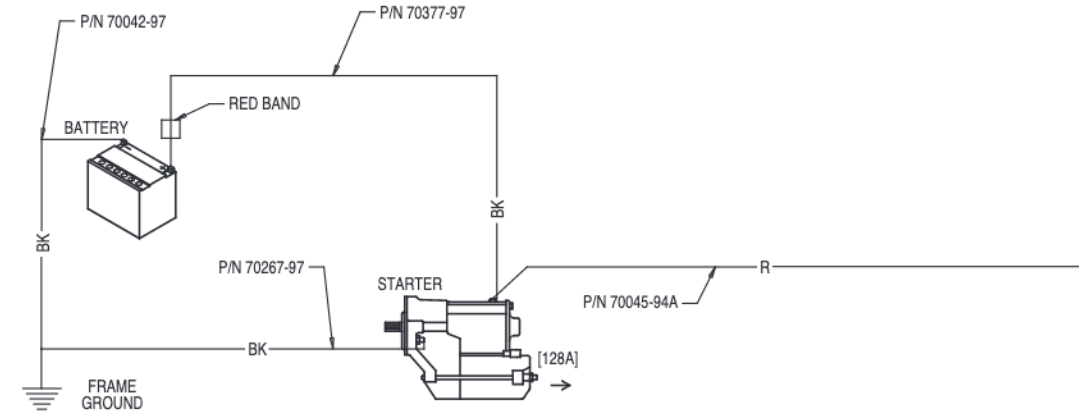
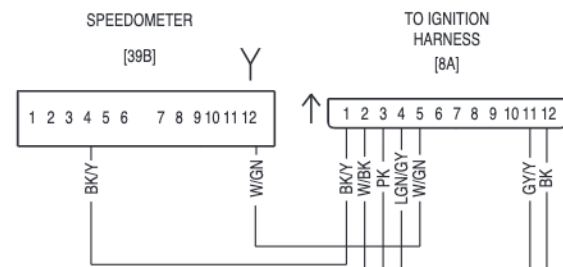
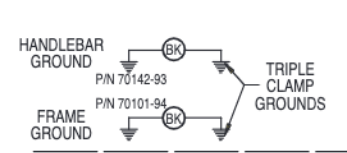
Wire Color Code Key		
BK - Black	GN - Green	LT.GN - Light Green
BN - Brown	BE - Blue	PK - Pink
R - Red	V - Violet	TN - Tan
O - Orange	GY - Gray	Wire color-XX/XX-Stripe color
Y - Yellow	W - White	

←	PIN CONNECTOR (A side)
↘	SOCKET CONNECTOR (B side)



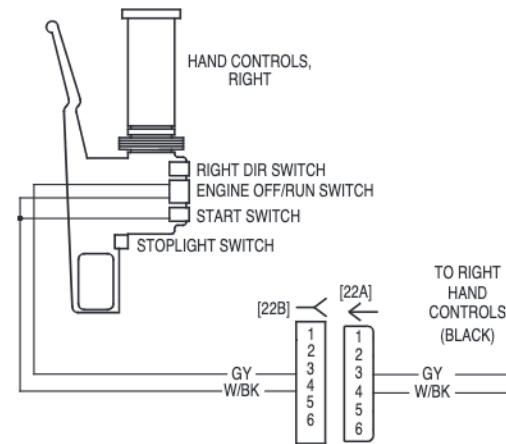
2003 ALL FLHR/C/SEI2 DOMESTIC AND INTERNATIONAL MODELS, LIGHTING CIRCUIT, SHEET 2 OF 2

kd0007ax.



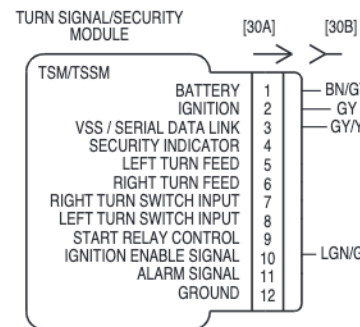
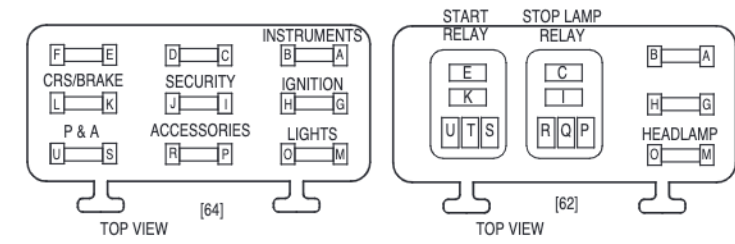
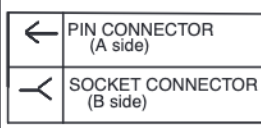
IGNITION SWITCH LEGEND

POSITION	R/GY ACCESS	R/BK IGN.	R BATT.
ACCESSORY	•		
LOCK		•	
IGNITION			•

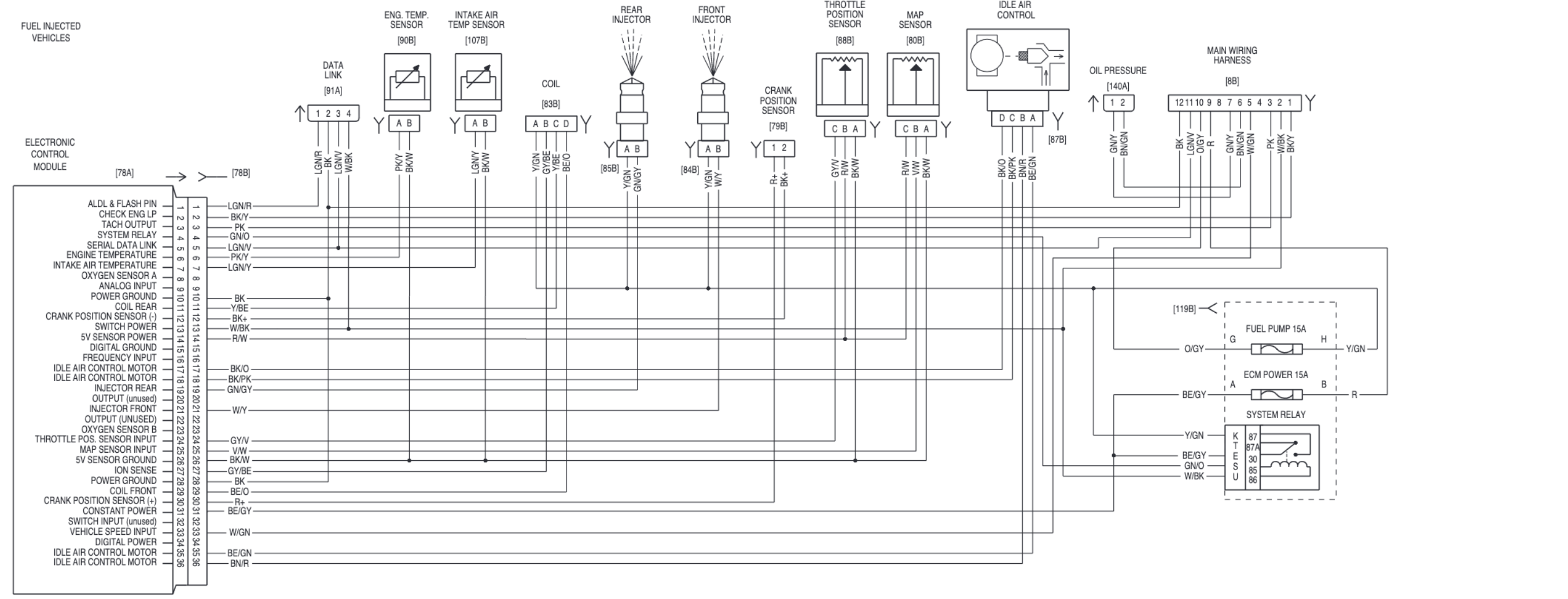
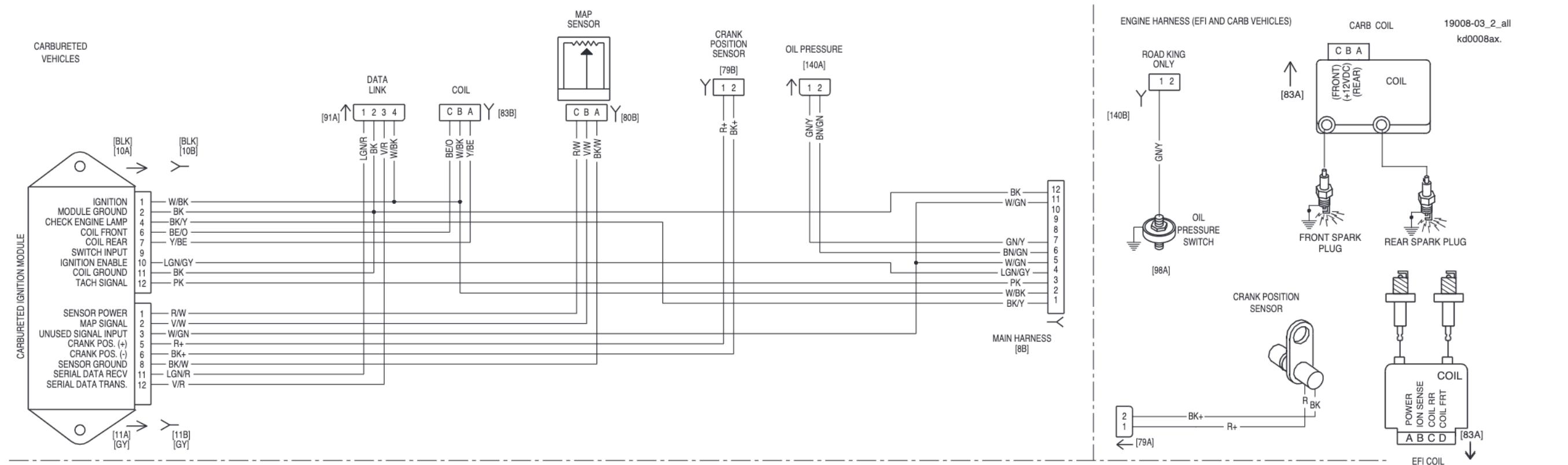


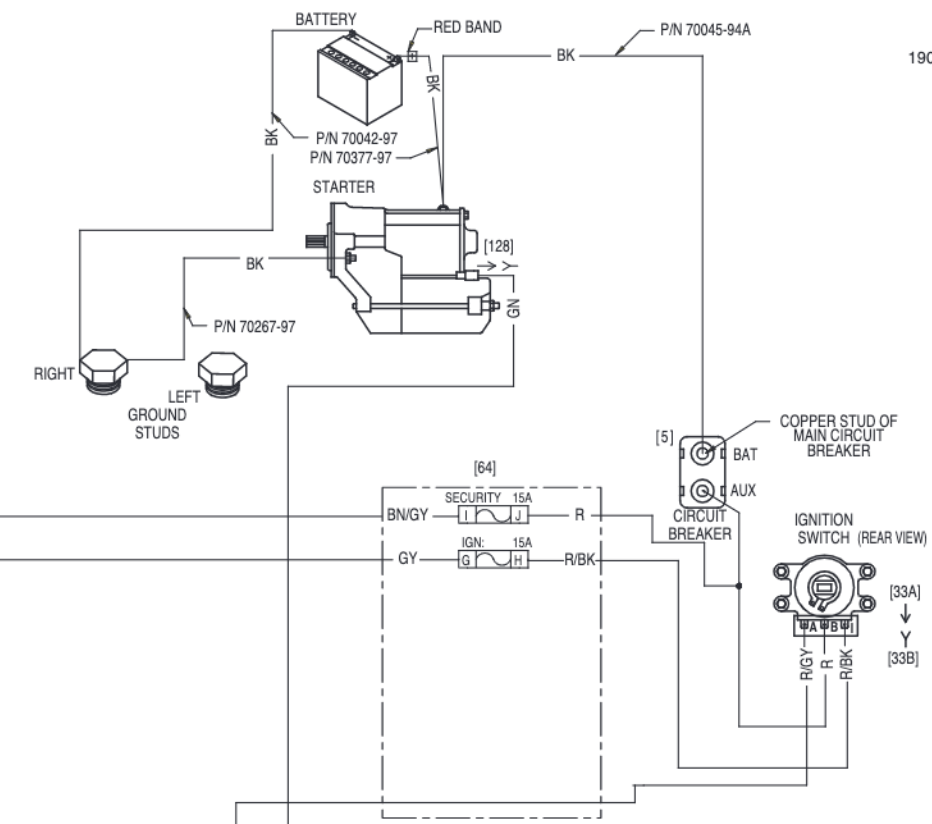
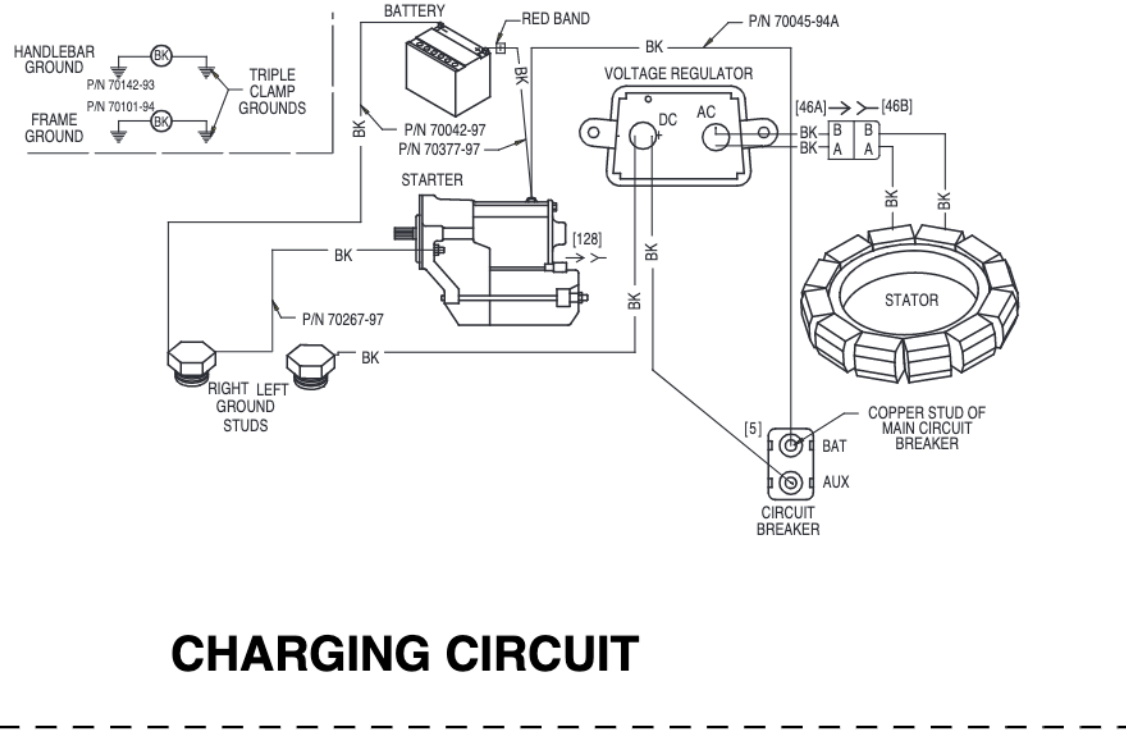
Wire Color Code Key

BK - Black	GN - Green	LT.GN - Light Green
BN - Brown	BE - Blue	PK - Pink
R - Red	V - Violet	TN - Tan
O - Orange	GY - Gray	Wire color-XX/XX-Stripe color
Y - Yellow	W - White	



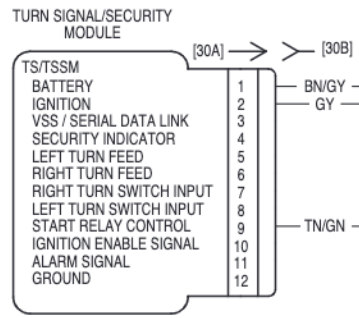
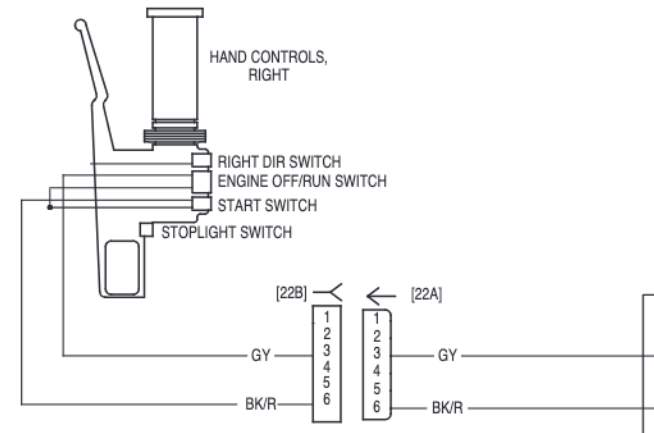
2003 ALL FLHR/I/CI/SEI2 DOMESTIC AND INTERNATIONAL MODELS, IGNITION CIRCUIT, SHEET 1 OF 2





IGNITION SWITCH LEGEND

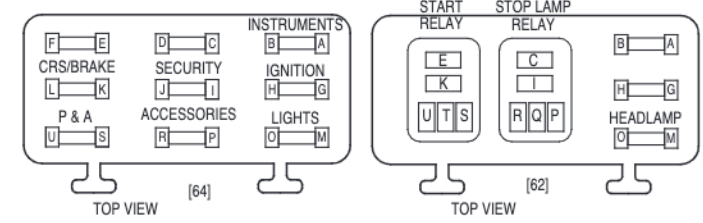
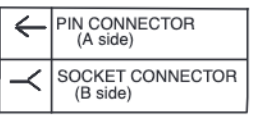
POSITION	A RED/ GREY	I RED/ BLACK	B RED
ACCESSORY	•	•	•
OFF	•	•	•
IGNITION	•	•	•

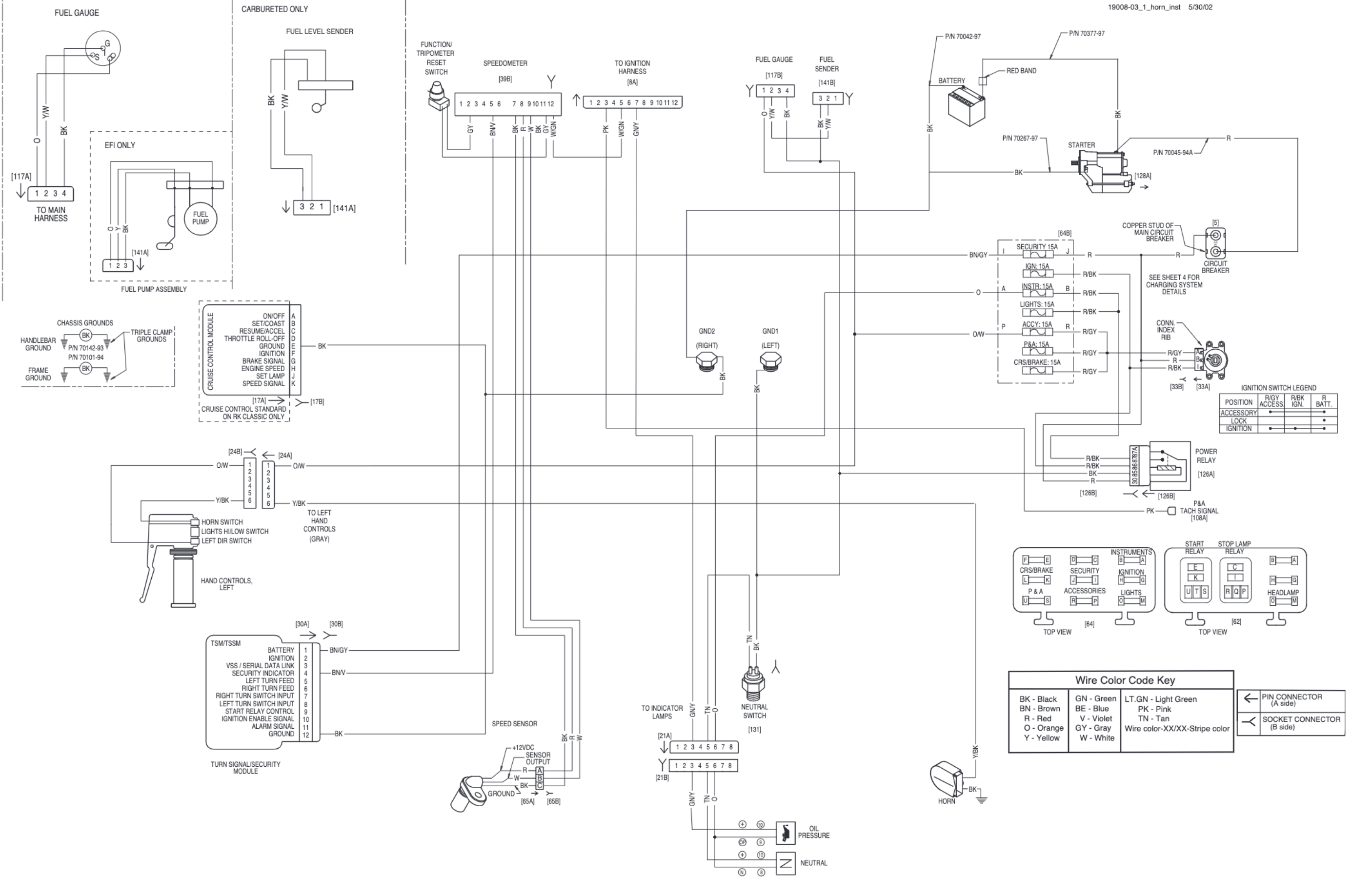


STARTING CIRCUIT

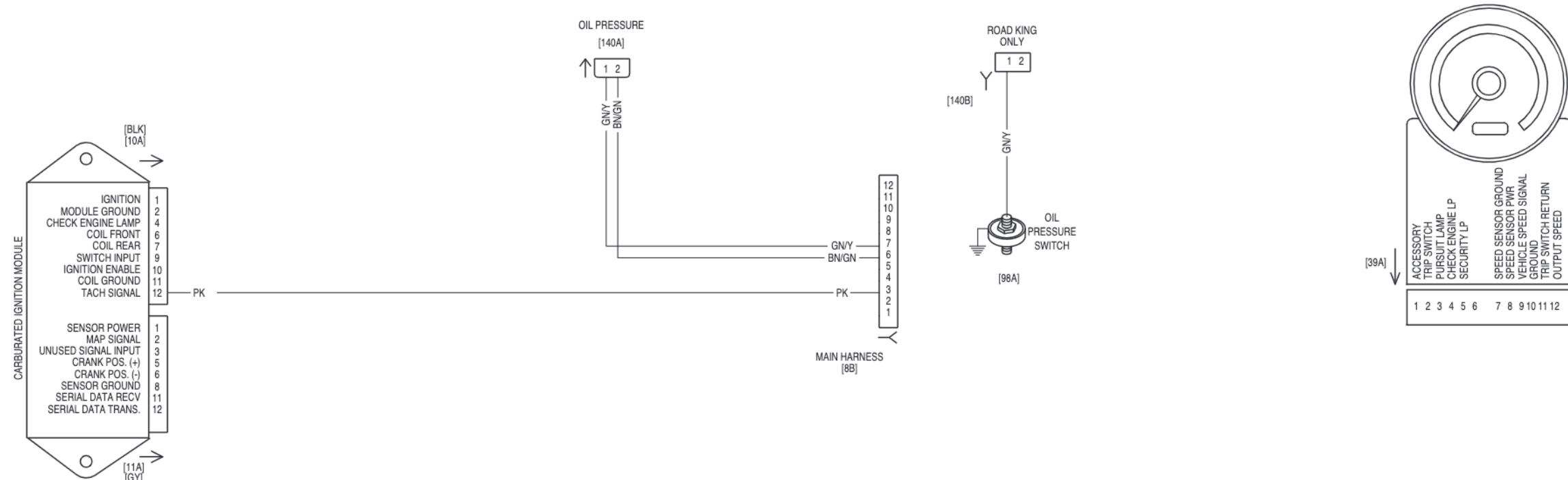
Wire Color Code Key

BK - Black	GN - Green	LT.GN - Light Green
BN - Brown	BE - Blue	PK - Pink
R - Red	V - Violet	TN - Tan
O - Orange	GY - Gray	Wire color-XX/XX-Stripe color
Y - Yellow	W - White	



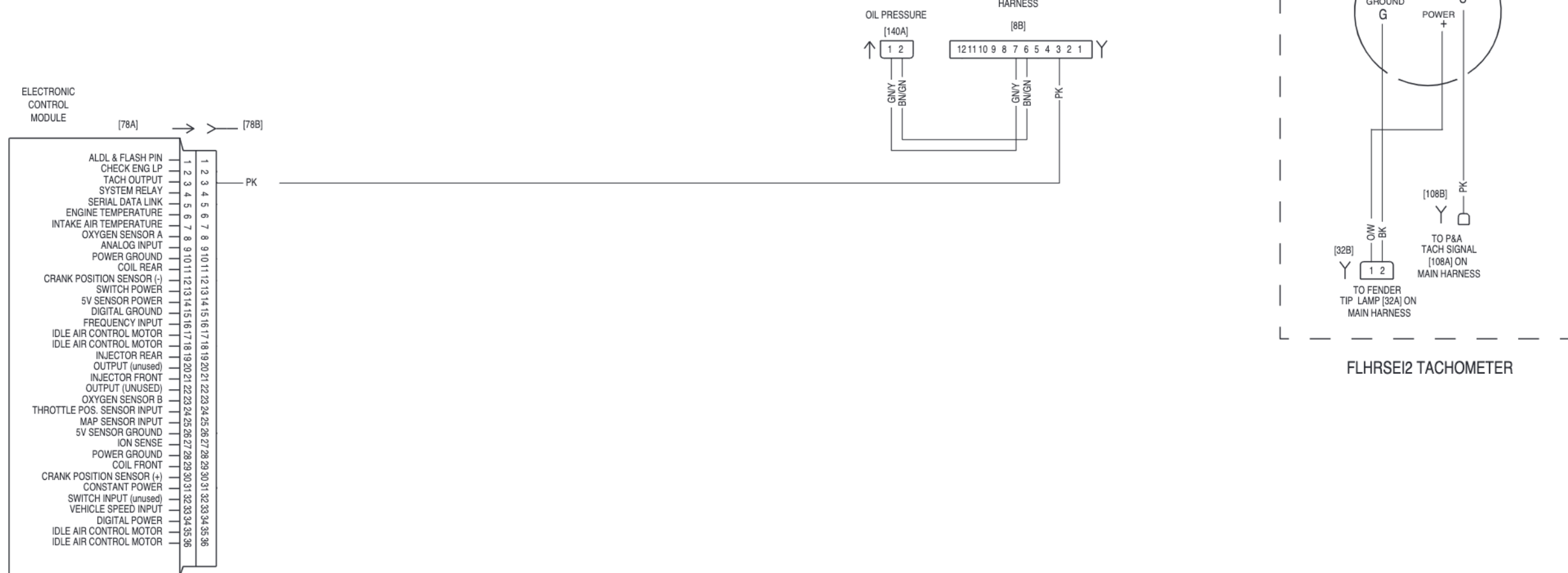


kd0011ax.

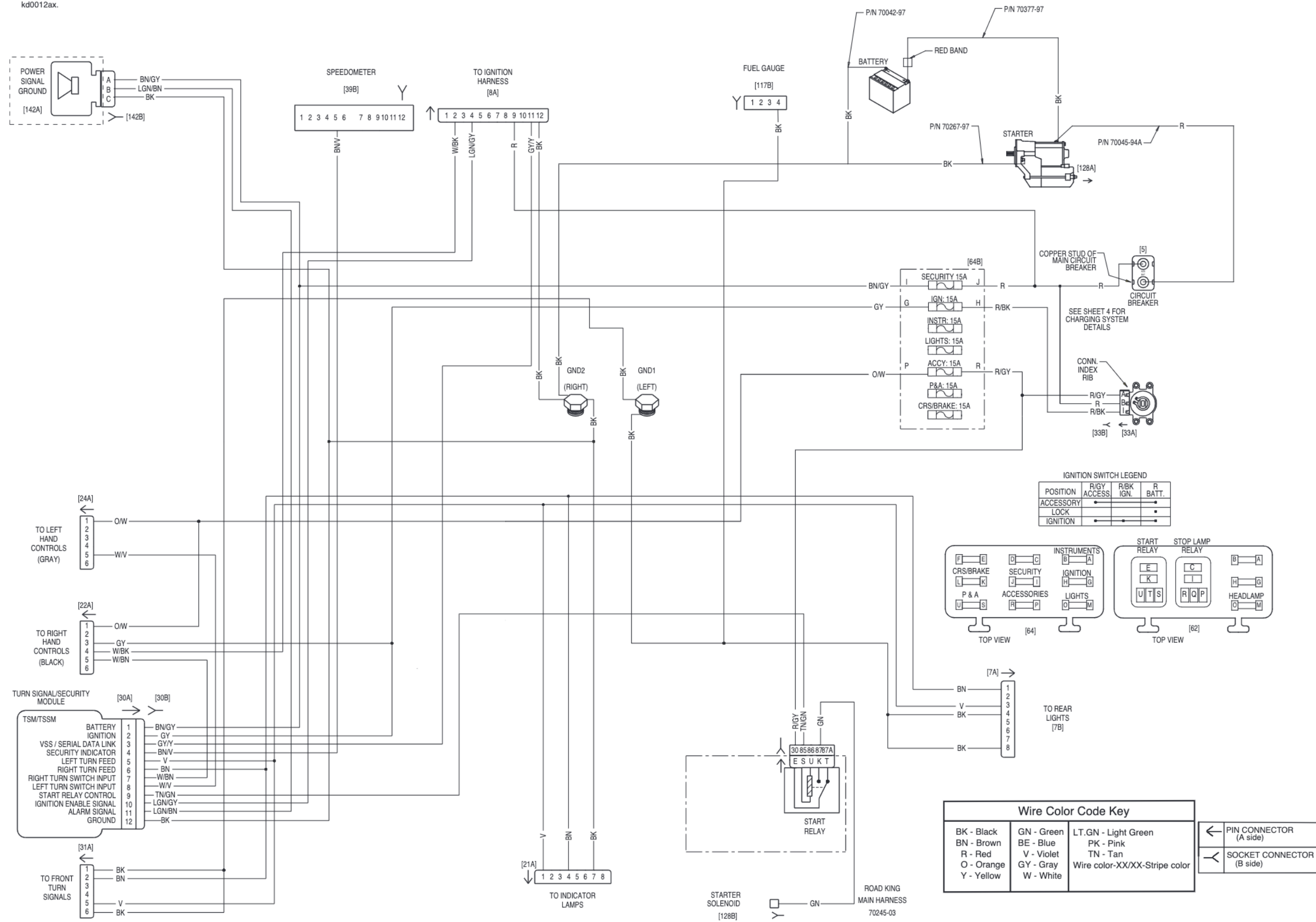


FUEL INJECTED VEHICLES

ELECTRONIC CONTROL MODULE



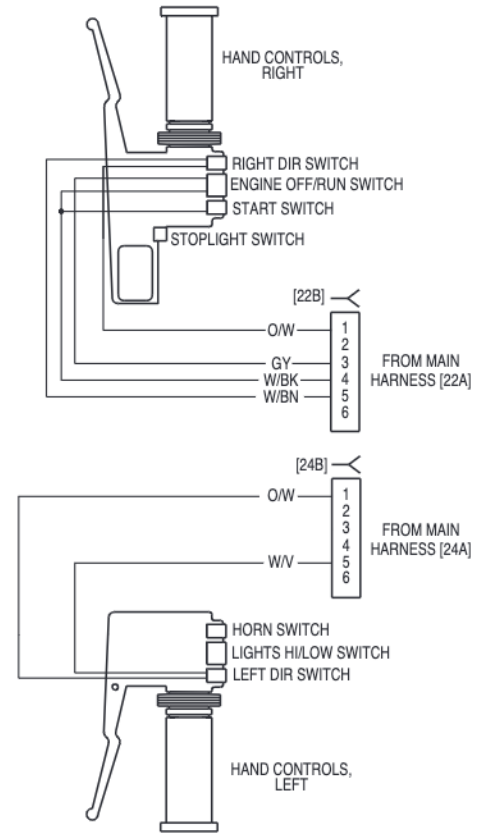
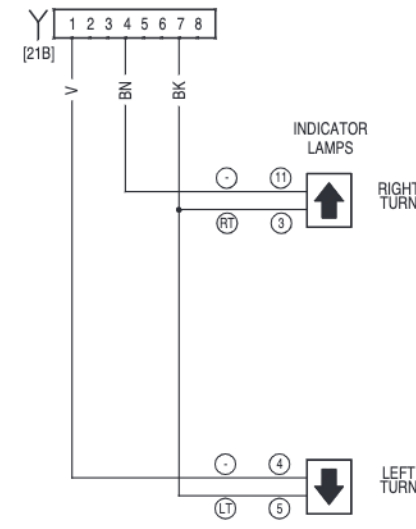
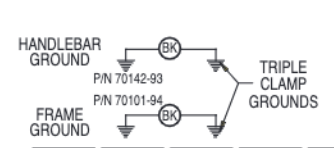
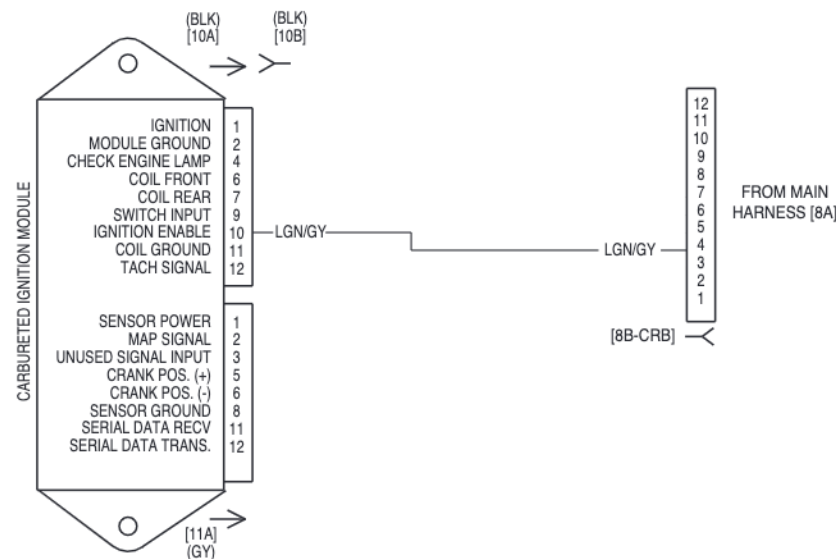
kd0012ax.



kd0013ax.

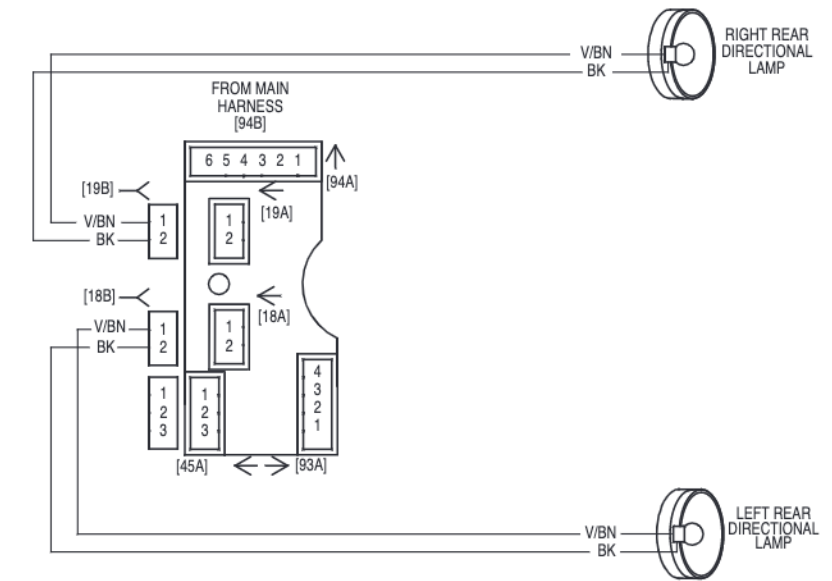
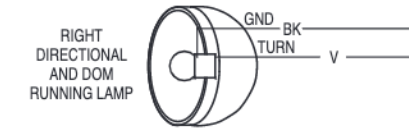
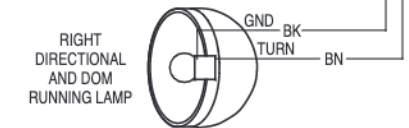
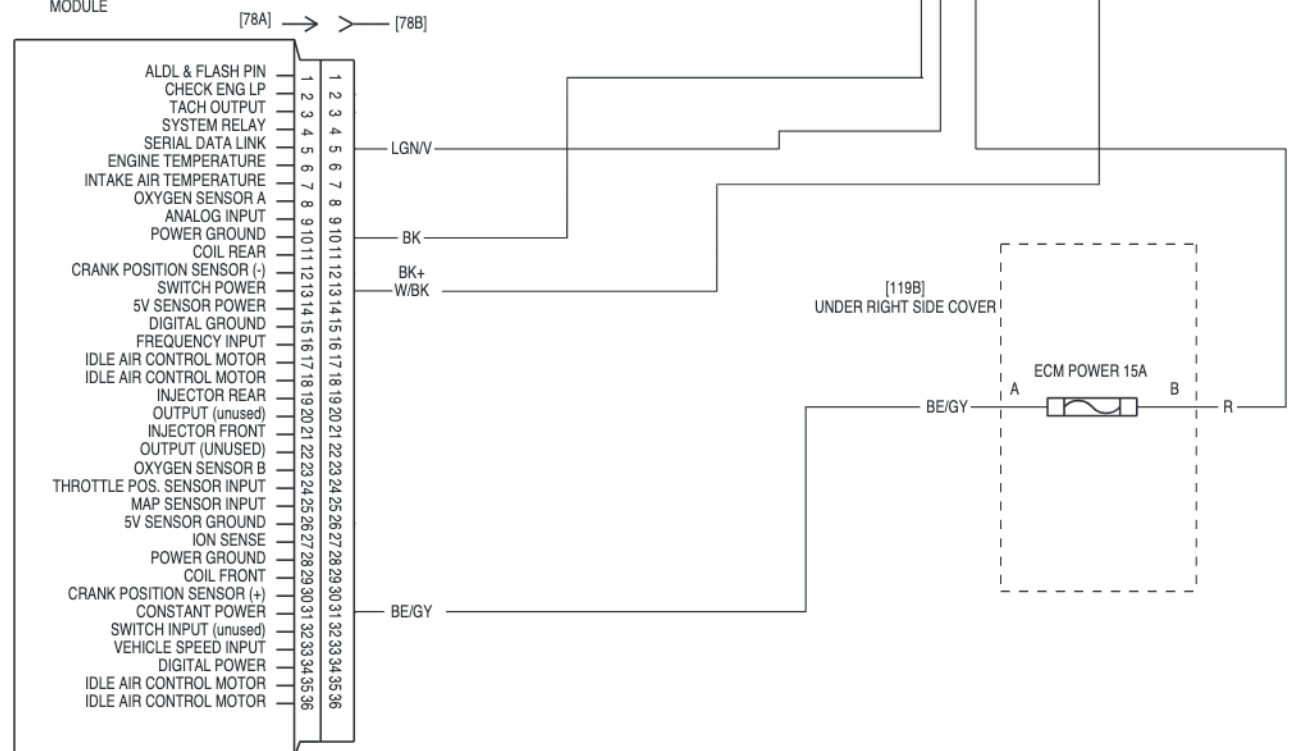
19008-03sht2_security.

CARBURETED VEHICLES

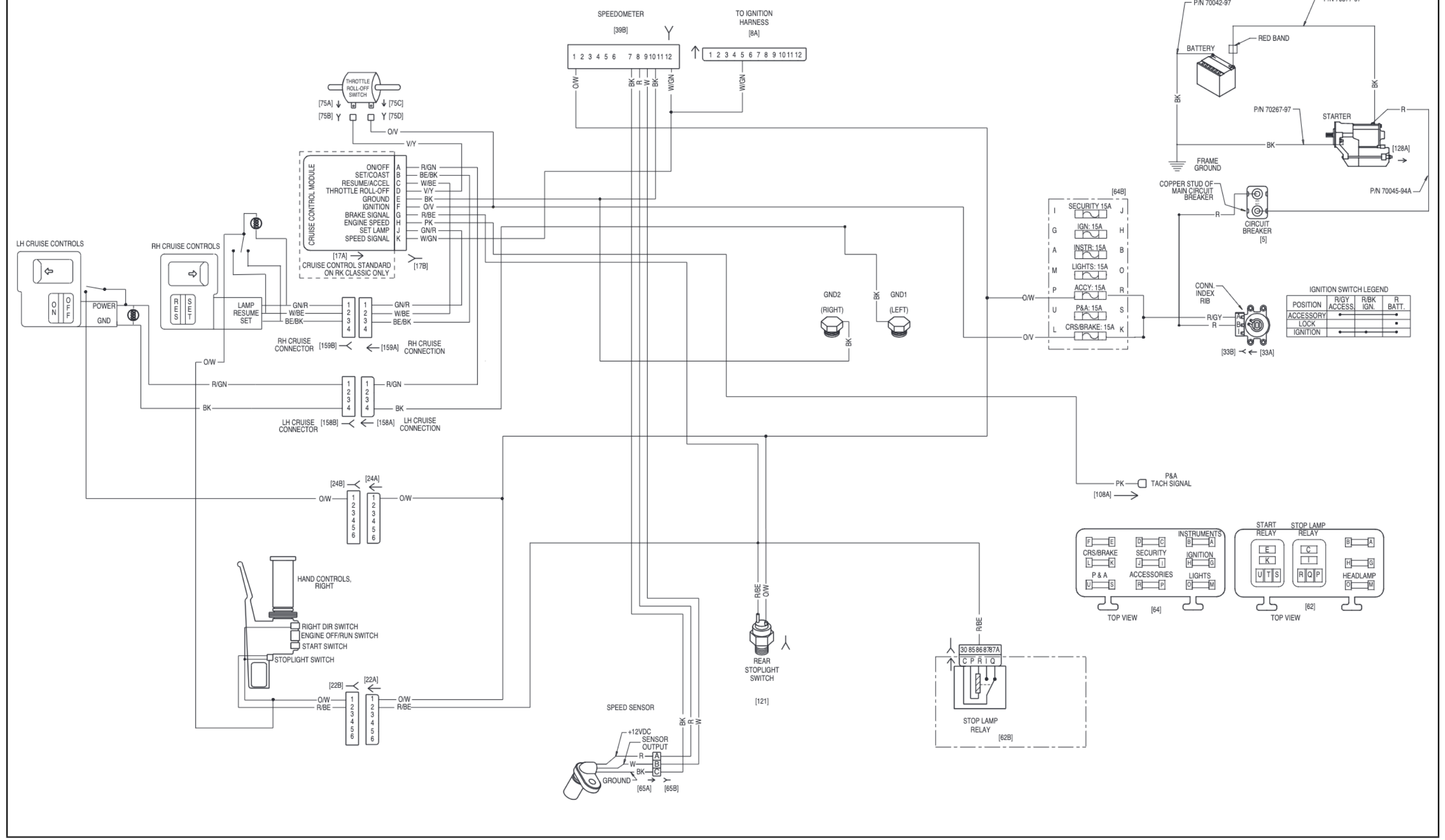


FUEL INJECTED VEHICLES

ELECTRONIC CONTROL MODULE

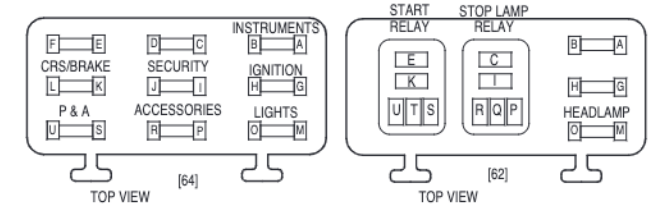


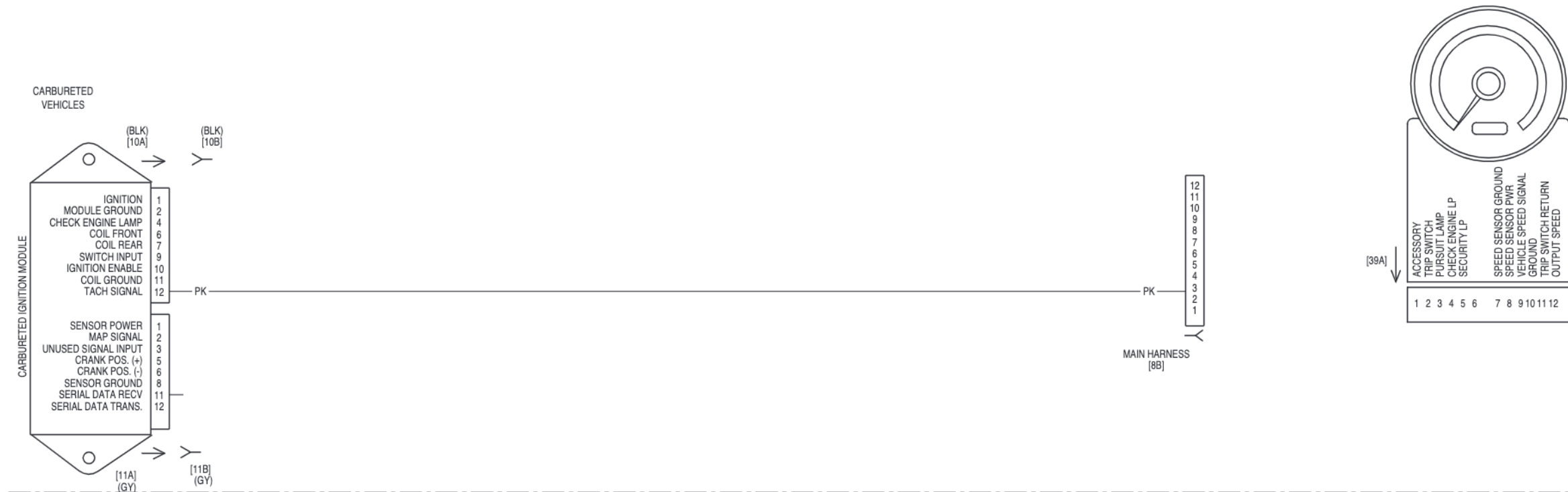
kd0014ax.



IGNITION SWITCH LEGEND

POSITION	R/GY ACCESS	R/BK IGN.	R BATT.
ACCESSORY	•		
LOCK			
IGNITION		•	•



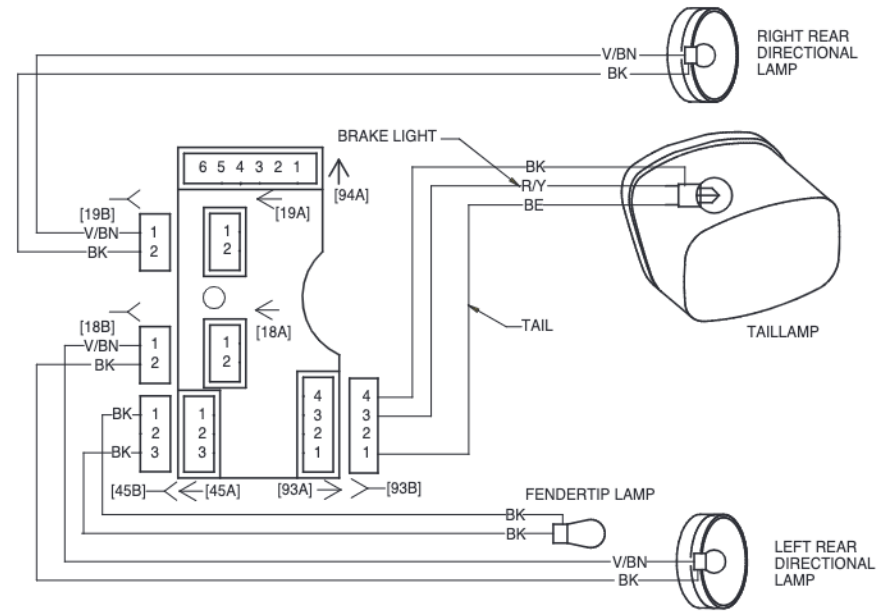
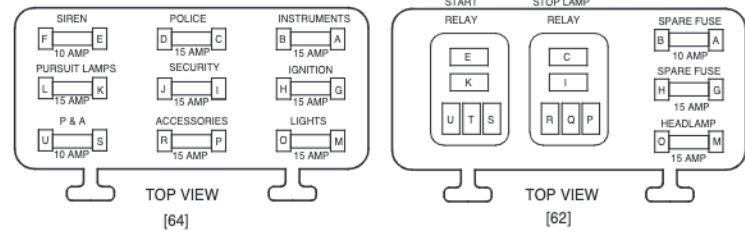
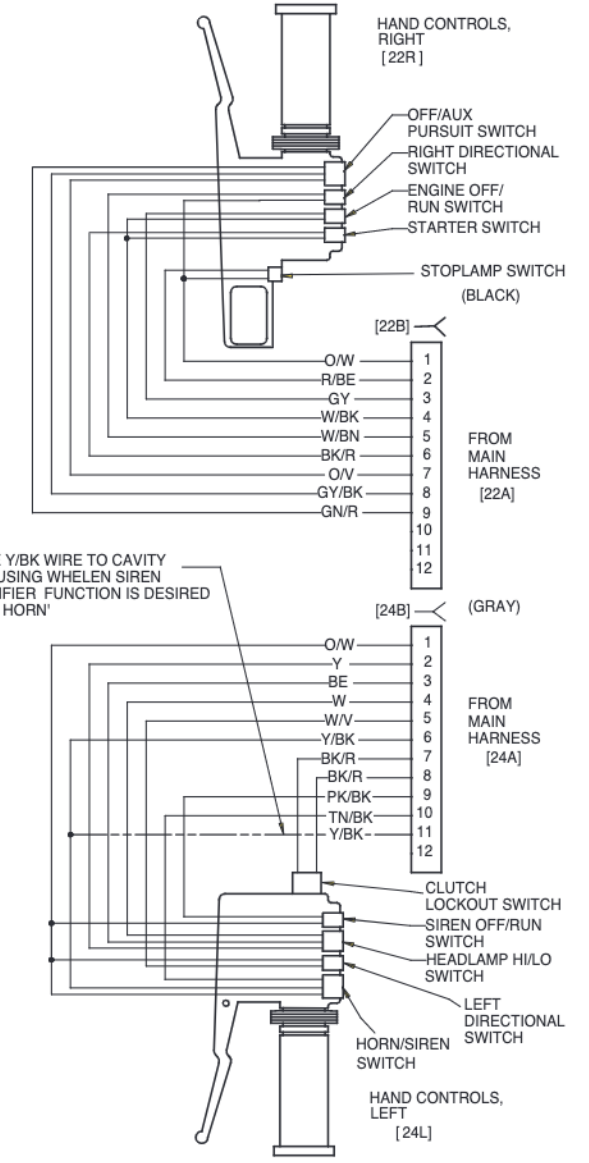
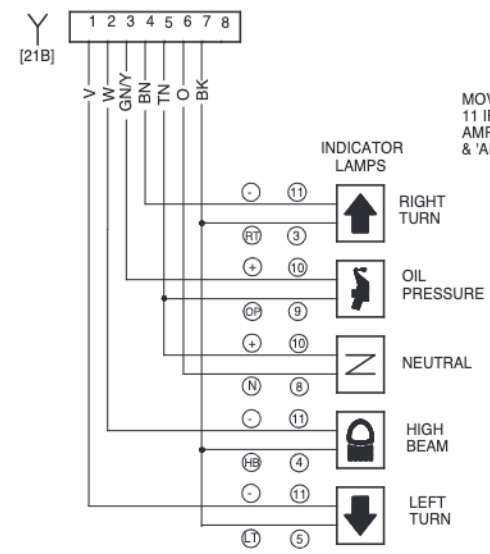
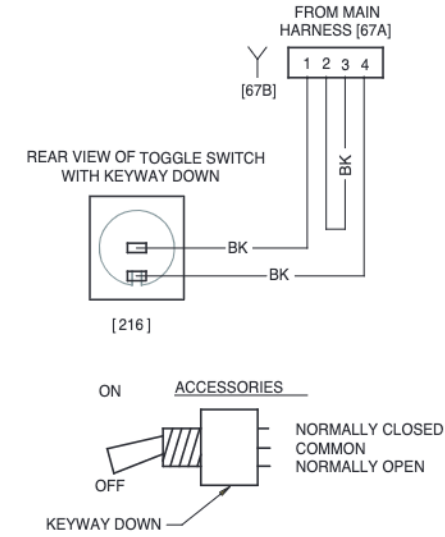
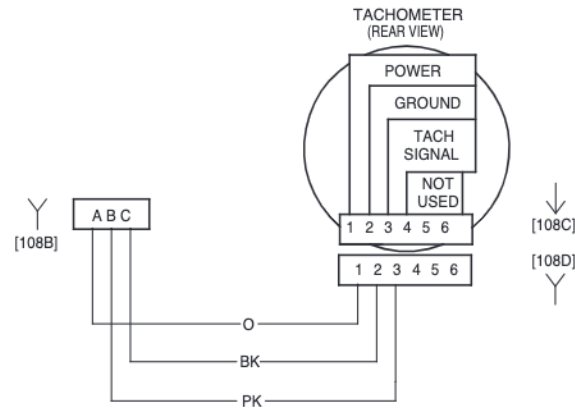
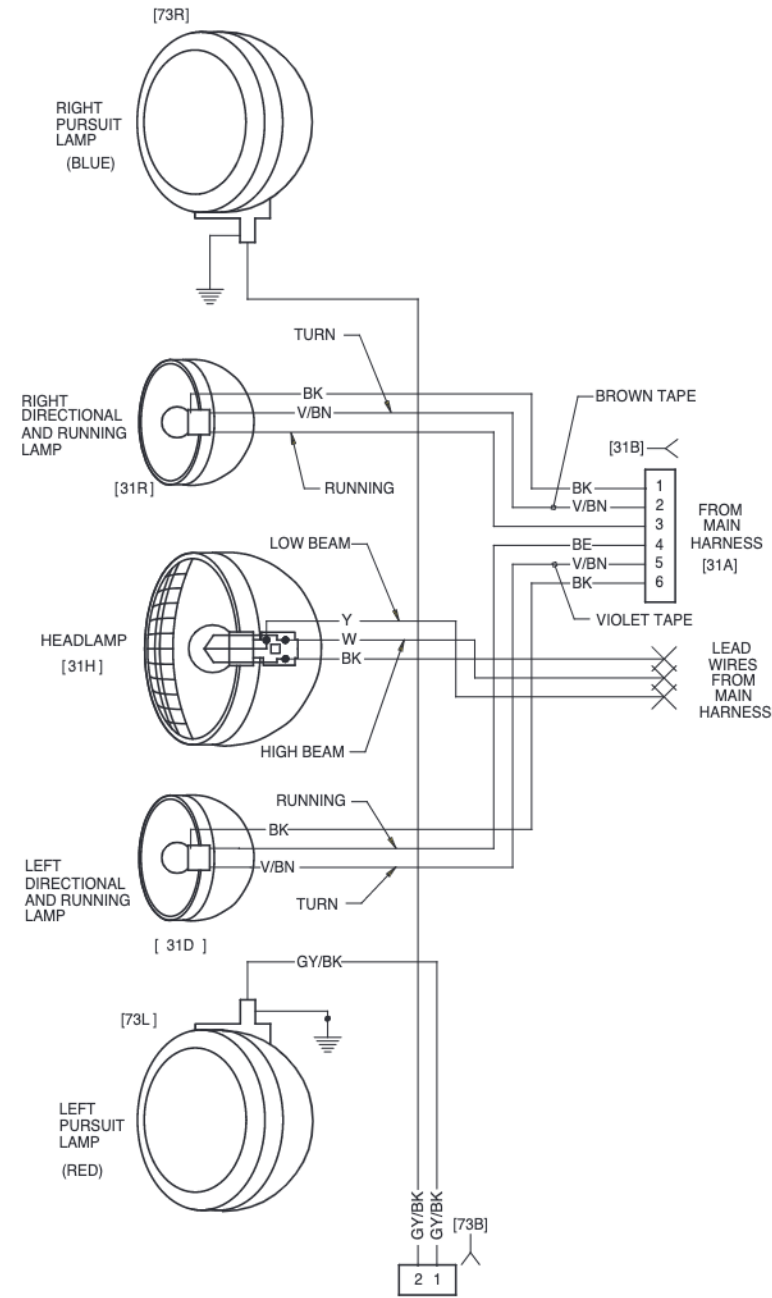


Wire Color Code Key		
BK - Black	GN - Green	LT.GN - Light Green
BN - Brown	BE - Blue	PK - Pink
R - Red	V - Violet	TN - Tan
O - Orange	GY - Gray	Wire color-XX/XX-Stripe color
Y - Yellow	W - White	

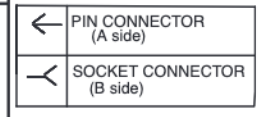
←	PIN CONNECTOR (A side)
↘	SOCKET CONNECTOR (B side)

FLHPI - Domestic & Canada only

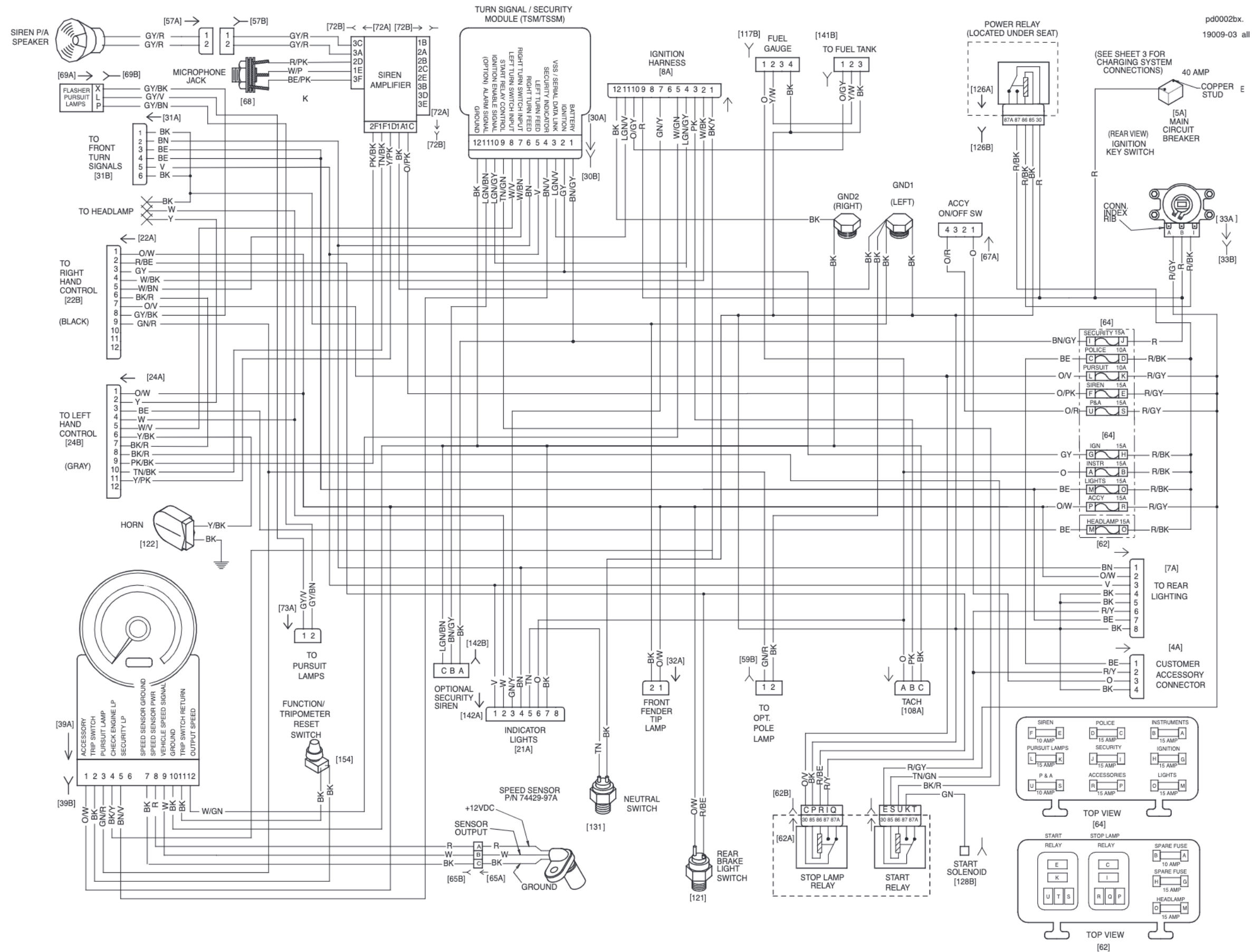
FLHPEI -California & Japan only



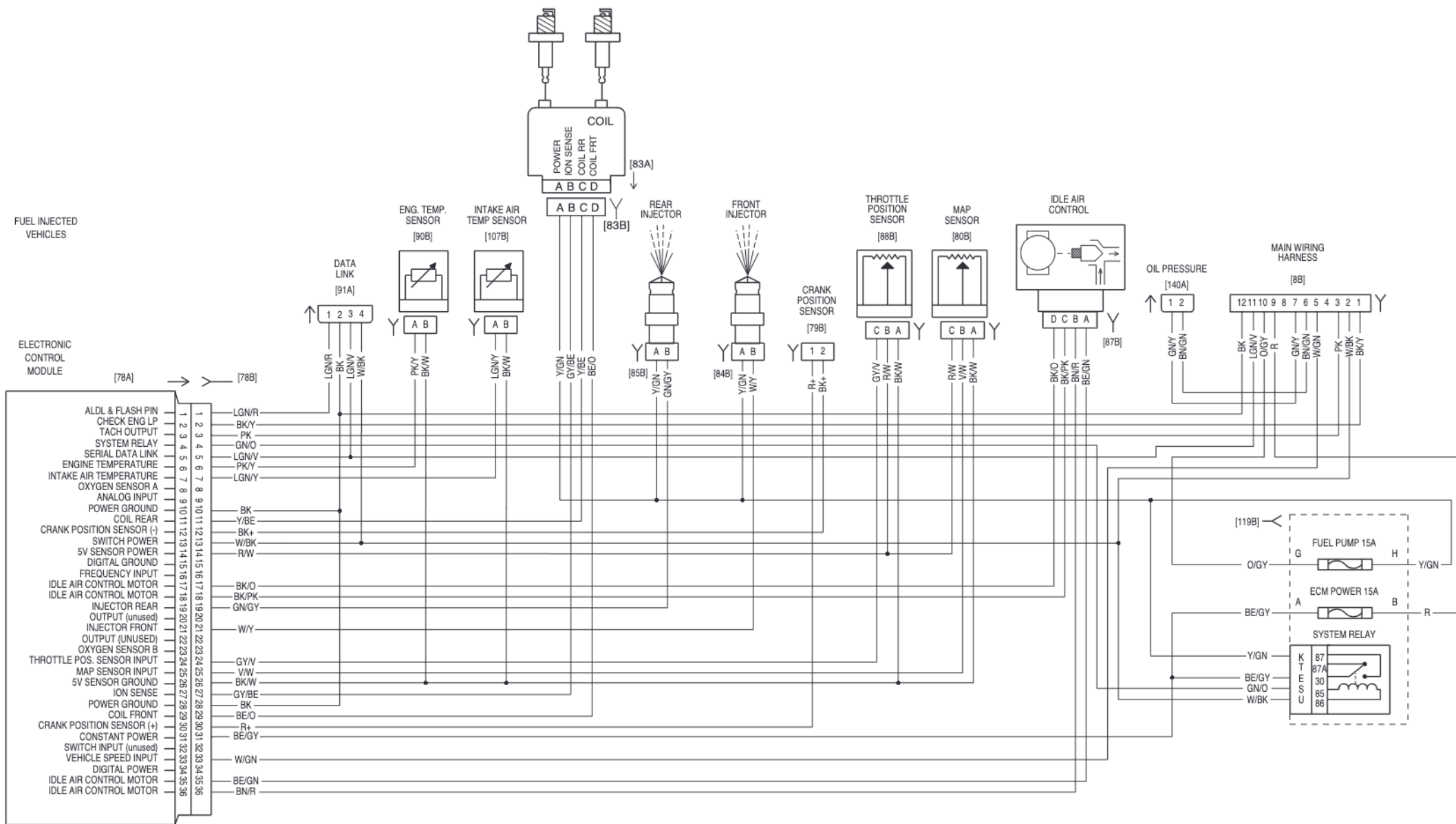
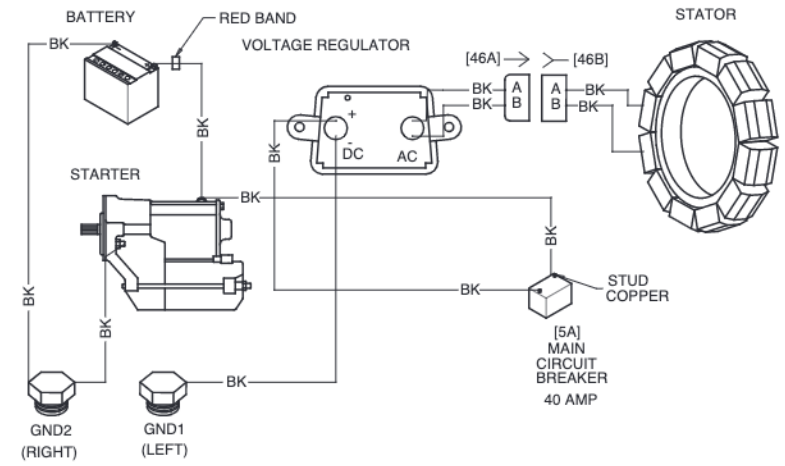
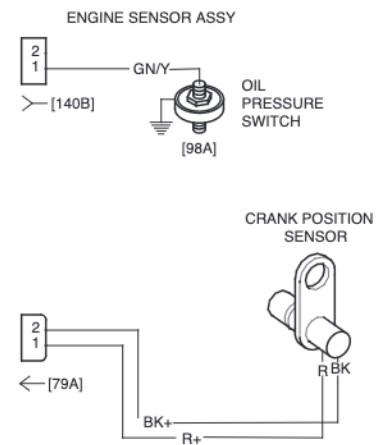
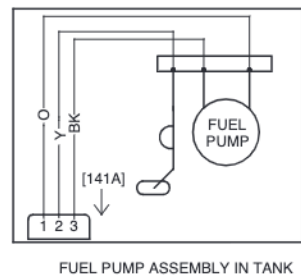
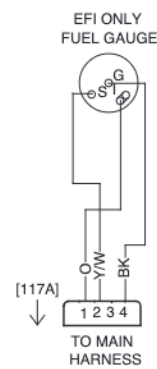
Wire Color Code Key		
BK - Black	GN - Green	LT.GN - Light Green
BN - Brown	BE - Blue	PK - Pink
R - Red	V - Violet	TN - Tan
O - Orange	GY - Gray	Wire color-XX/XX-Stripe color
Y - Yellow	W - White	



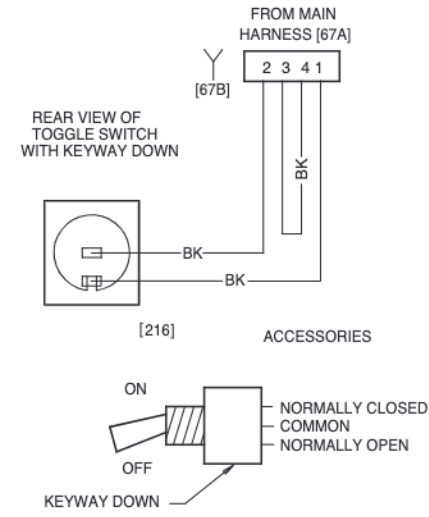
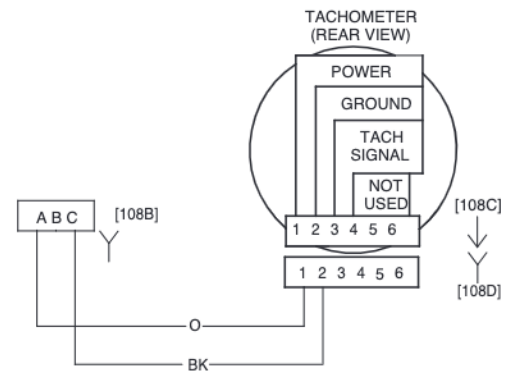
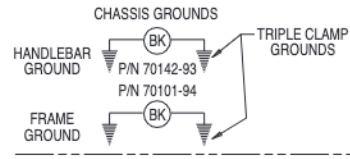
pd0001ax.
19009-03 2 All



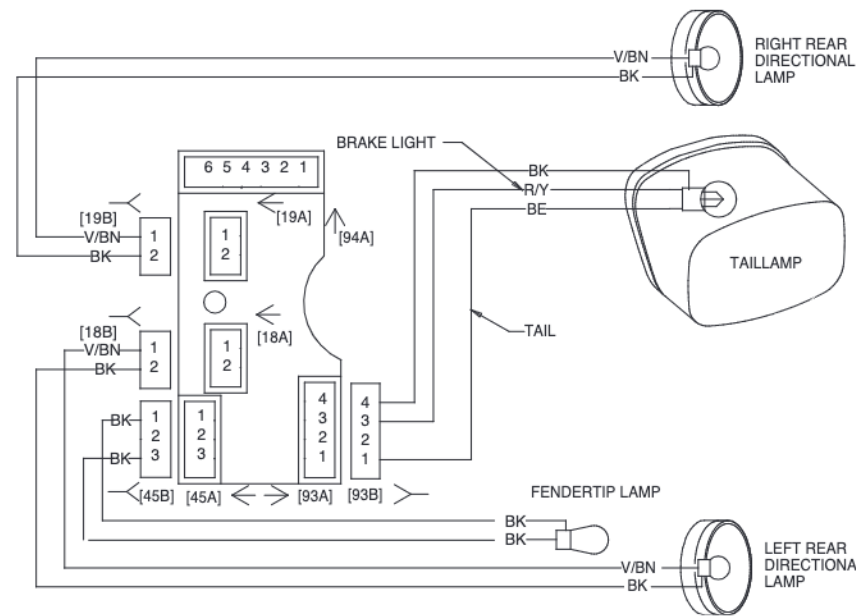
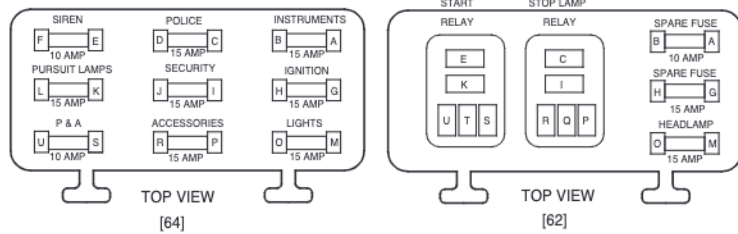
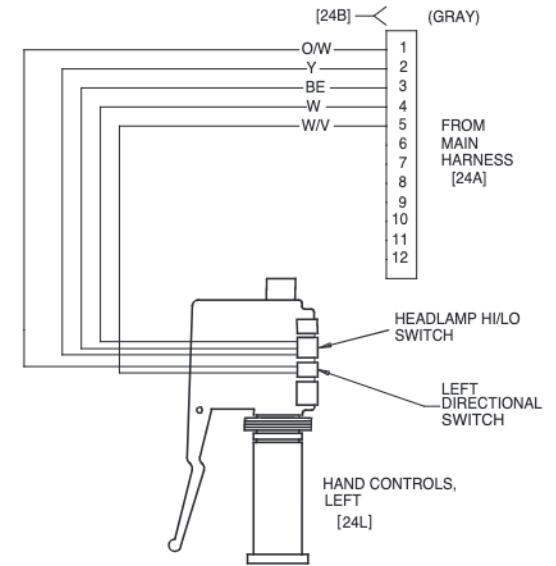
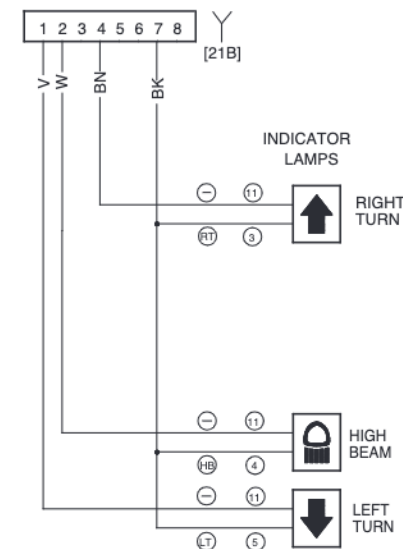
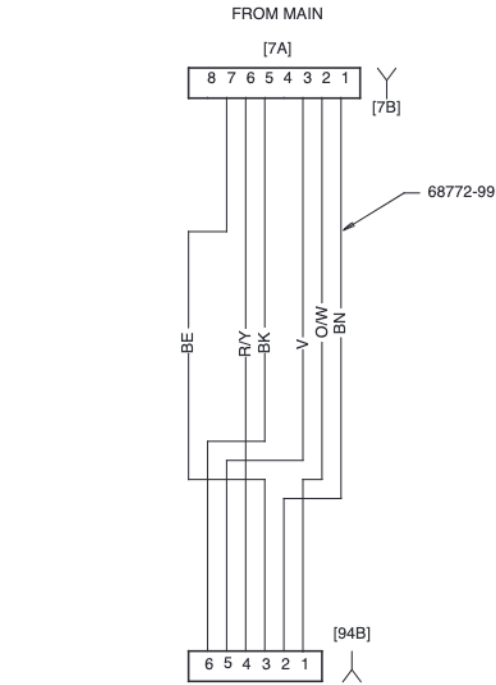
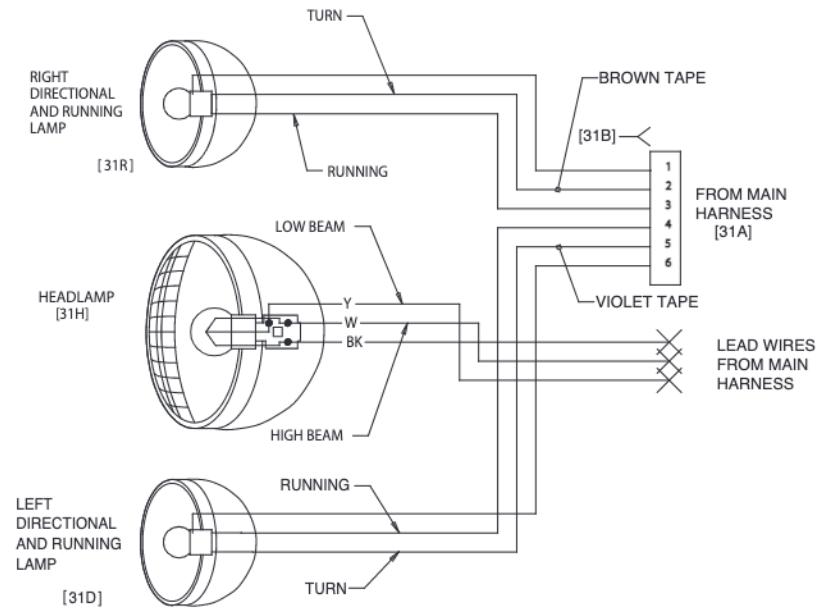
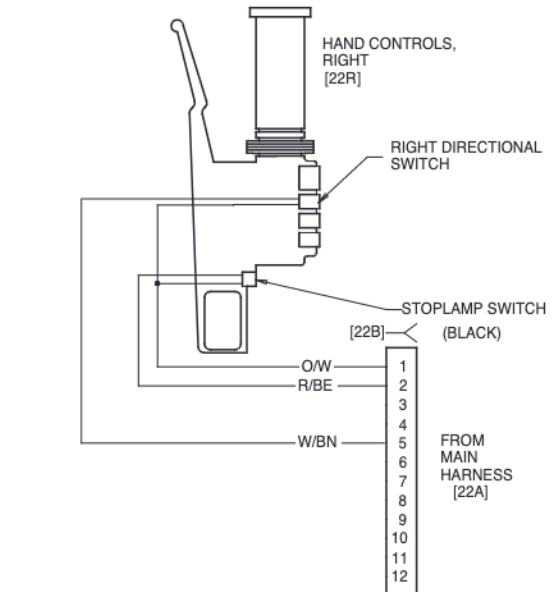
pd0003ax.
19009-02 3 all



pd0004ax.

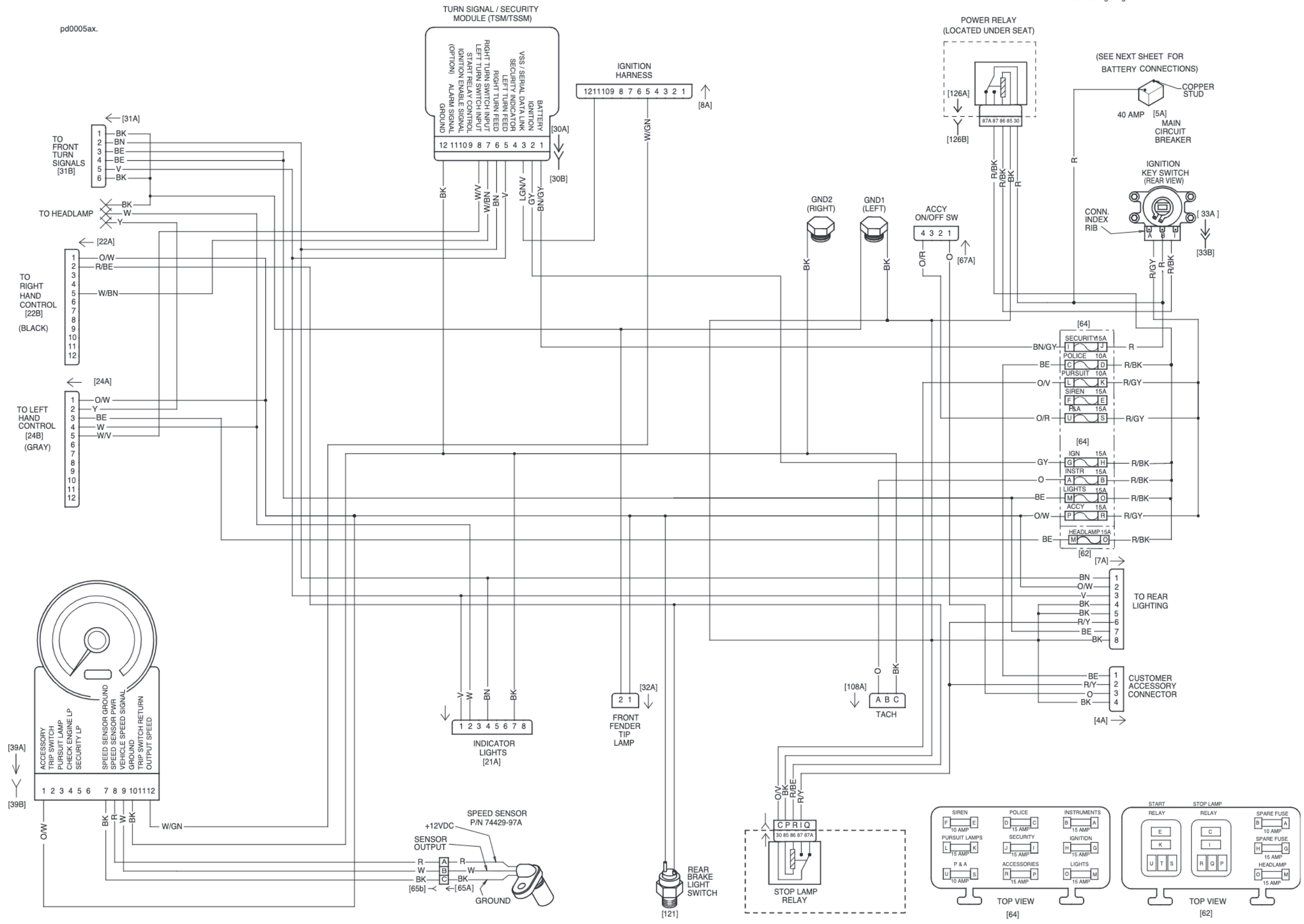


19009-02 2 lighting



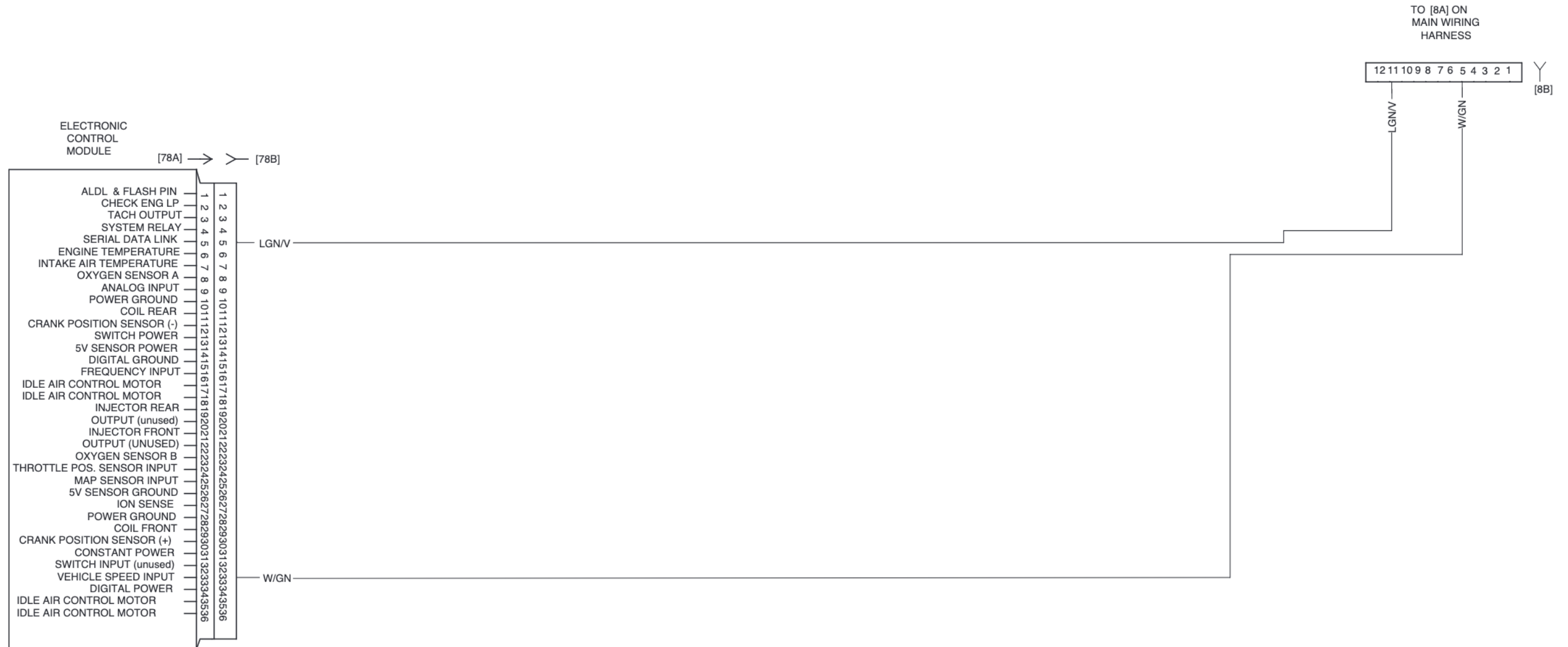
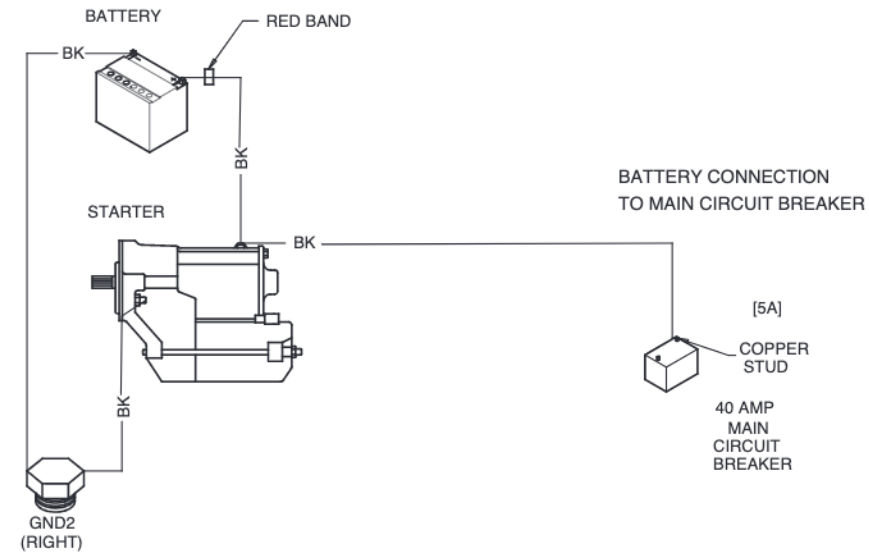
Wire Color Code Key			
BK - Black	GN - Green	LT.GN - Light Green	← PIN CONNECTOR (A side)
BN - Brown	BE - Blue	PK - Pink	
R - Red	V - Violet	TN - Tan	↘ SOCKET CONNECTOR (B side)
O - Orange	GY - Gray	Wire color-XX/XX-Stripe color	
Y - Yellow	W - White		

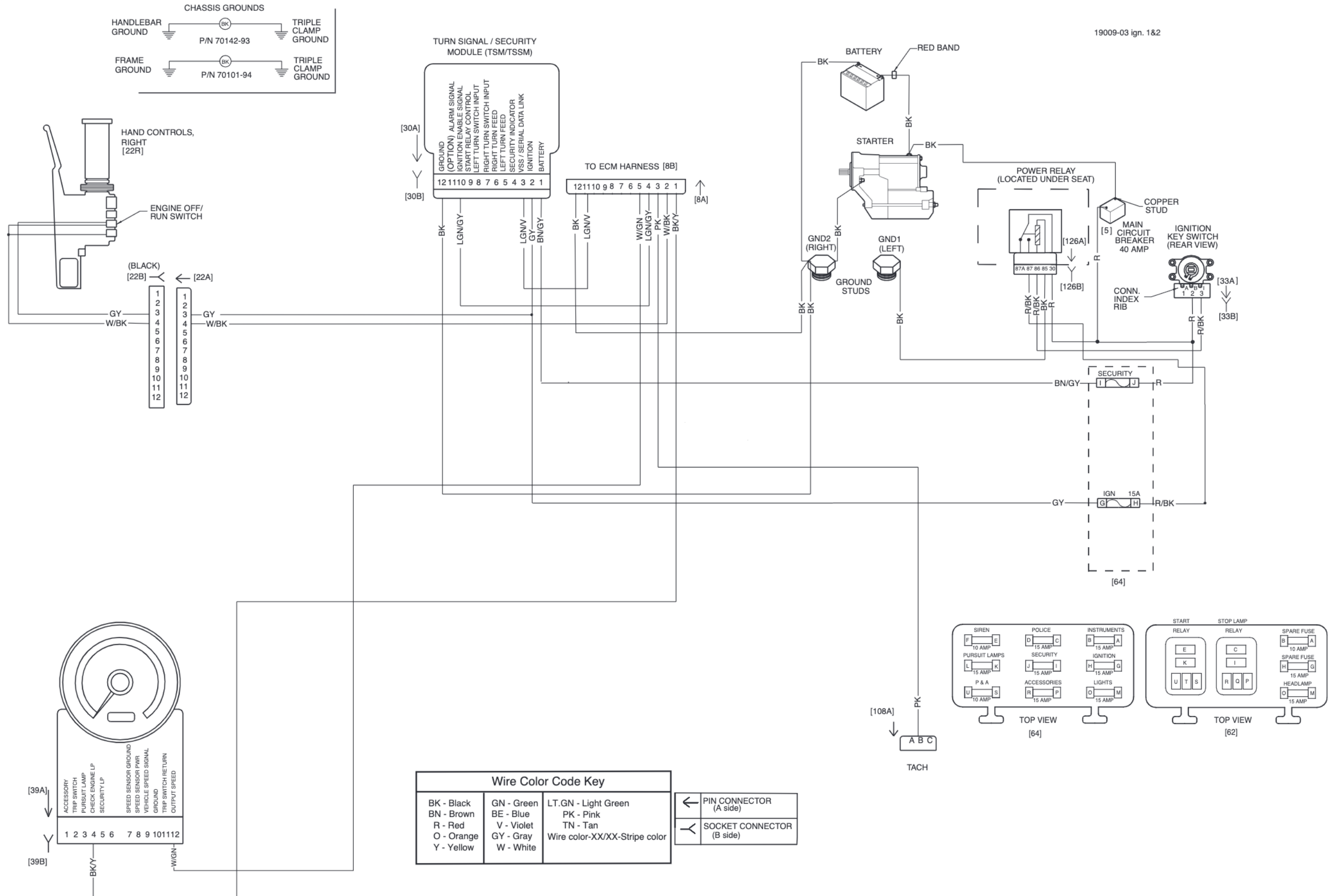
pd0005ax.

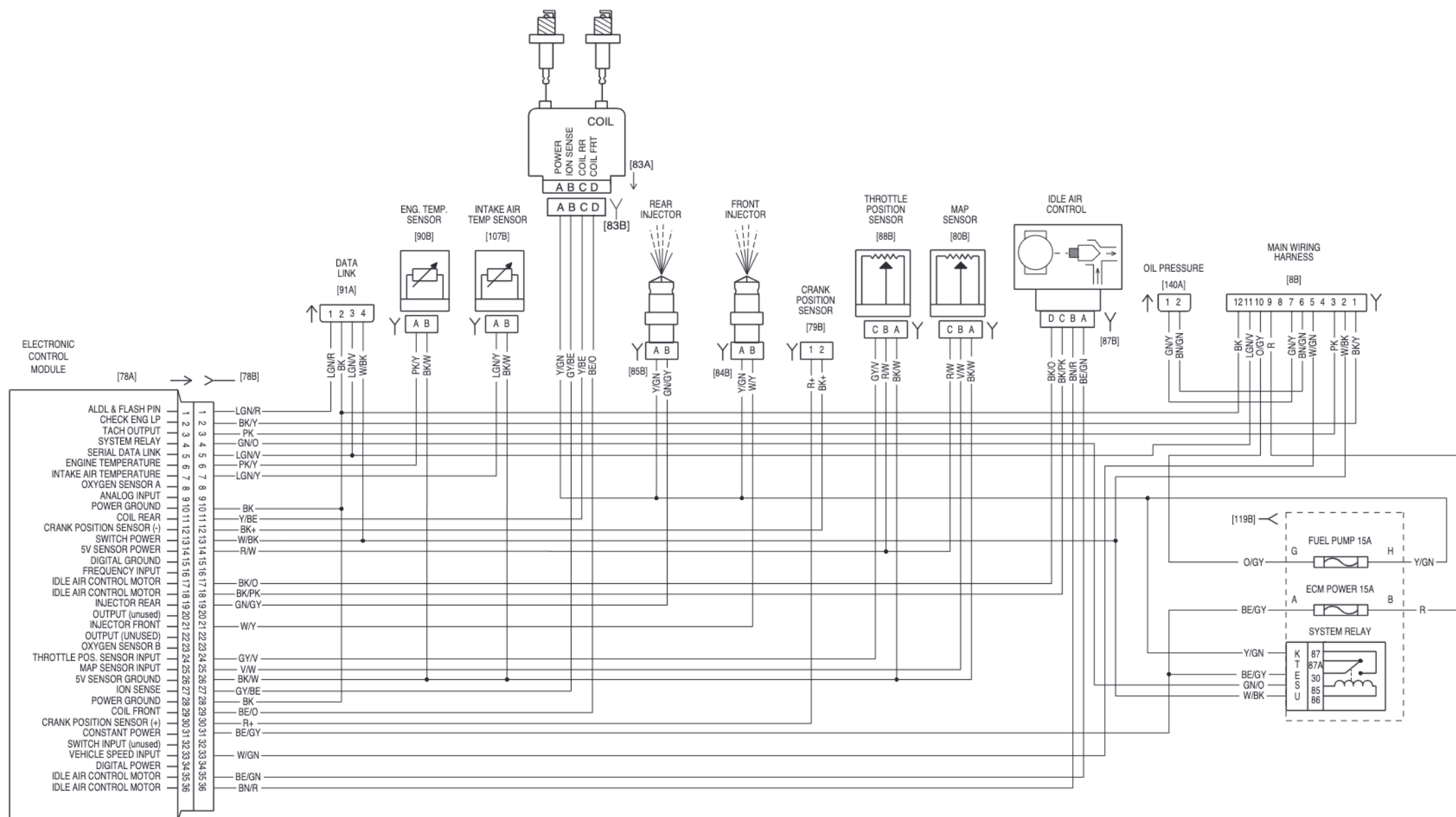
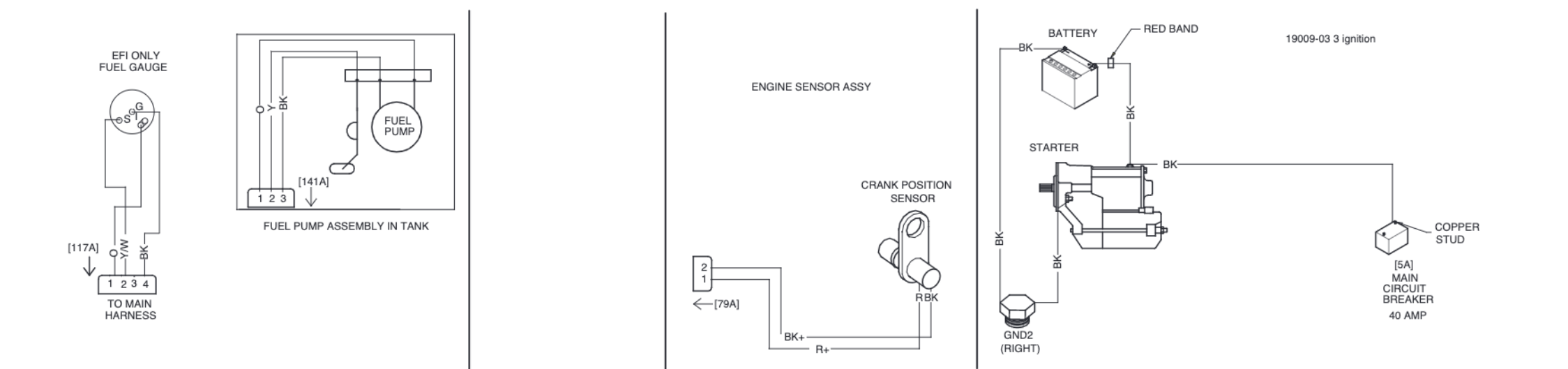


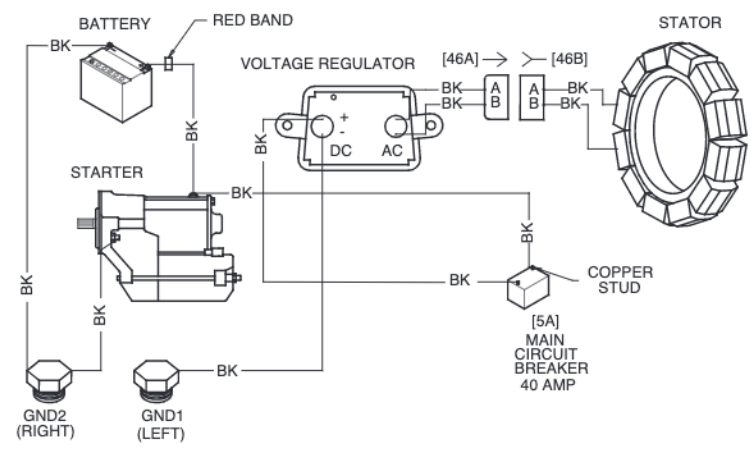
pd0006xx.

19009-02-3 lighting

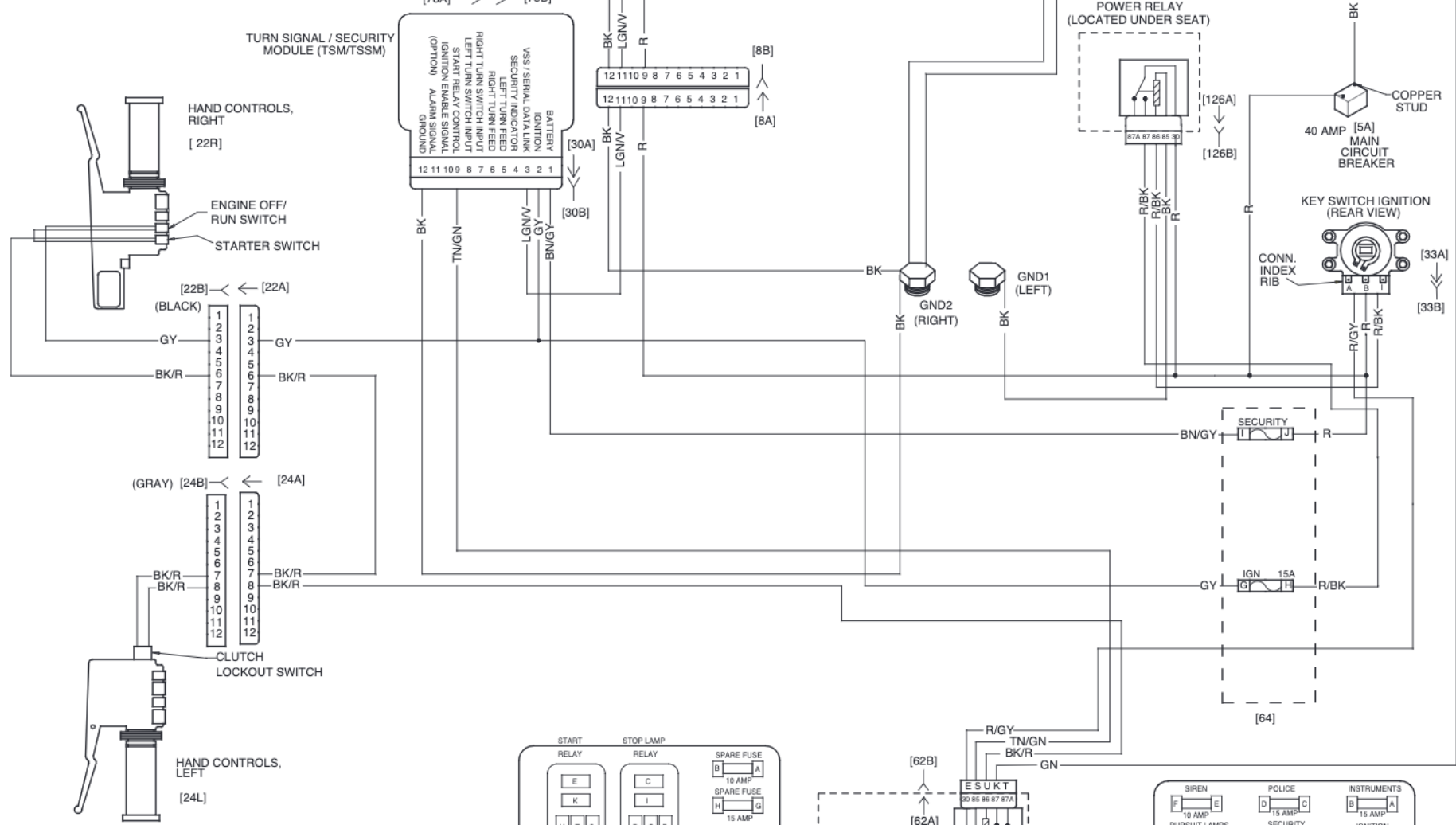
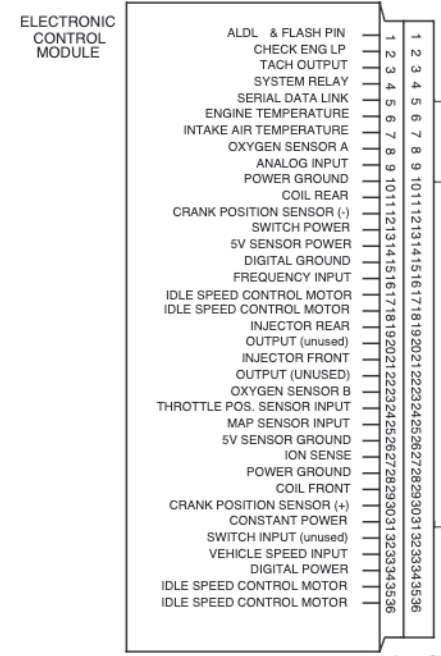








CHARGING CIRCUIT

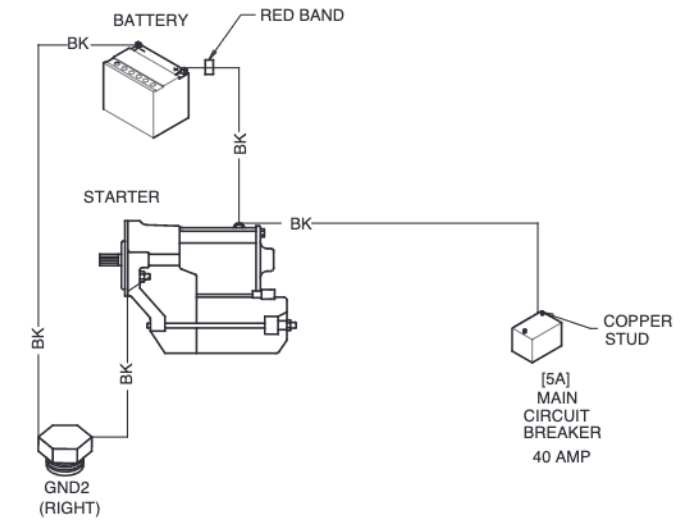
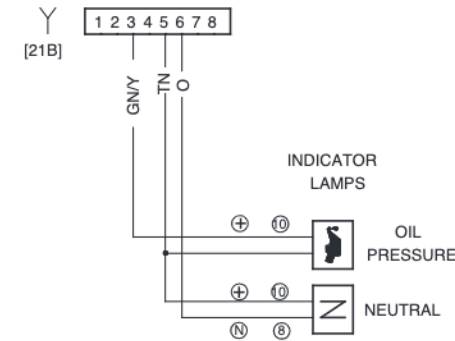
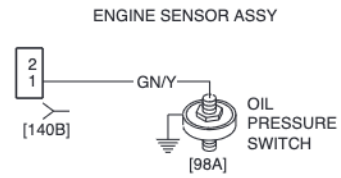
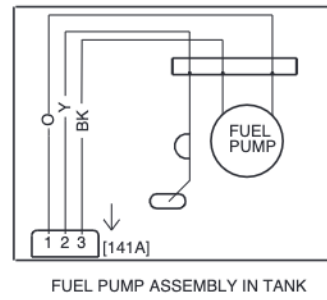
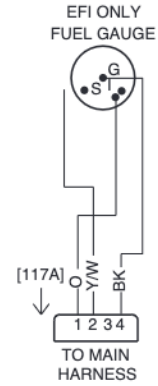


STARTING CIRCUIT

Wire Color Code Key			PIN CONNECTOR (A side)
BK - Black	GN - Green	LT.GN - Light Green	
BN - Brown	BE - Blue	PK - Pink	
R - Red	V - Violet	TN - Tan	
O - Orange	GY - Gray	Wire color-XX/XX-Stripe color	
Y - Yellow	W - White		

PIN CONNECTOR (A side)		SOCKET CONNECTOR (B side)	
1	2	1	2
3	4	3	4
5	6	5	6
7	8	7	8
9	10	9	10
11	12	11	12

pd0011xx.



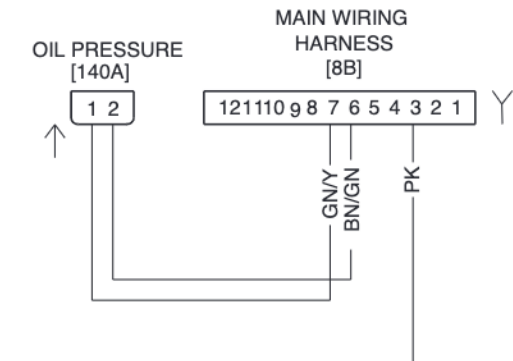
ELECTRONIC CONTROL MODULE

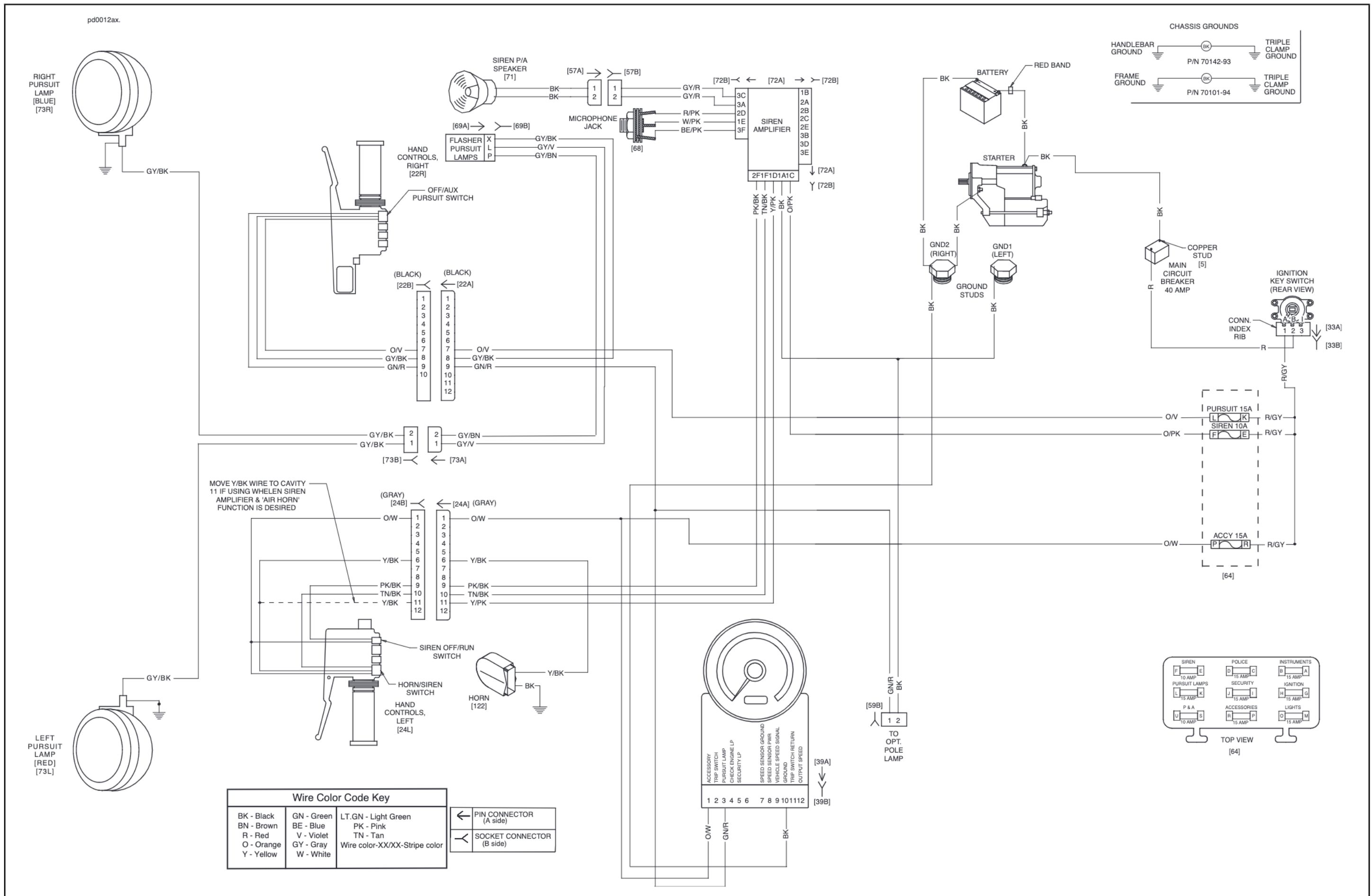
[78A]

[78B]

ALDL & FLASH PIN	1	1
CHECK ENG LP	2	2
TACH OUTPUT	3	3
SYSTEM RELAY	4	4
SERIAL DATA LINK	5	5
ENGINE TEMPERATURE	6	6
INTAKE AIR TEMPERATURE	7	7
OXYGEN SENSOR A	8	8
ANALOG INPUT	9	9
POWER GROUND	10	10
COIL REAR	11	11
CRANK POSITION SENSOR (-)	12	12
SWITCH POWER	13	13
5V SENSOR POWER	14	14
DIGITAL GROUND	15	15
FREQUENCY INPUT	16	16
IDLE AIR CONTROL MOTOR	17	17
IDLE AIR CONTROL MOTOR	18	18
INJECTOR REAR	19	19
OUTPUT (unused)	20	20
INJECTOR FRONT	21	21
OUTPUT (UNUSED)	22	22
OXYGEN SENSOR B	23	23
THROTTLE POS. SENSOR INPUT	24	24
MAP SENSOR INPUT	25	25
5V SENSOR GROUND	26	26
ION SENSE	27	27
POWER GROUND	28	28
COIL FRONT	29	29
CRANK POSITION SENSOR (+)	30	30
CONSTANT POWER	31	31
SWITCH INPUT (unused)	32	32
VEHICLE SPEED INPUT	33	33
DIGITAL POWER	34	34
IDLE AIR CONTROL MOTOR	35	35
IDLE AIR CONTROL MOTOR	36	36

PK

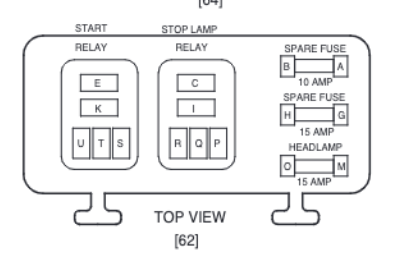
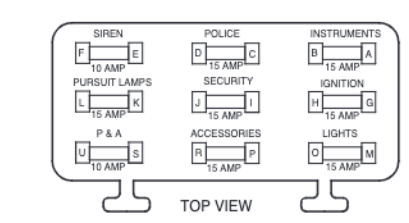
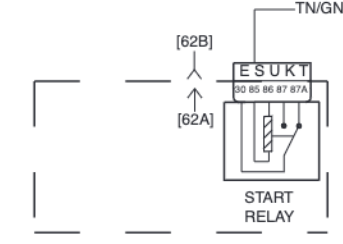
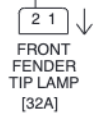
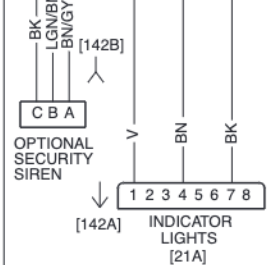
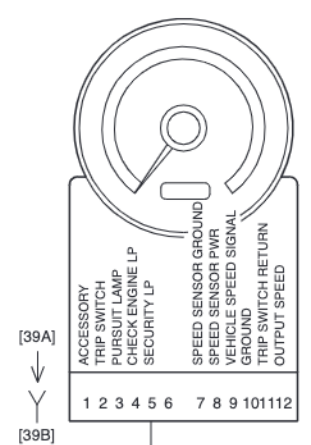
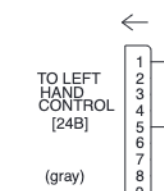
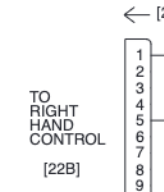
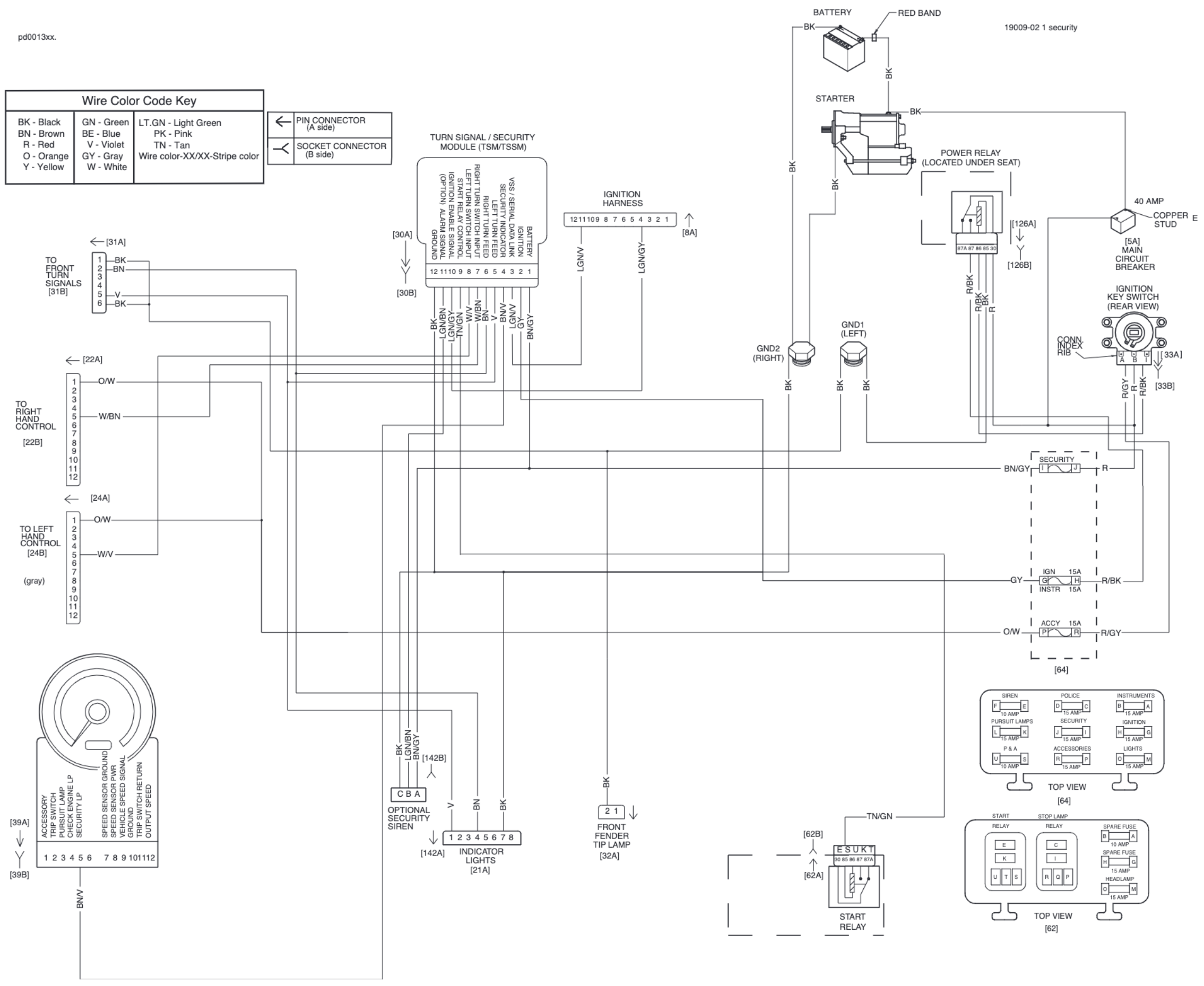
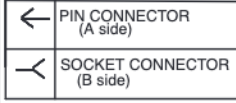


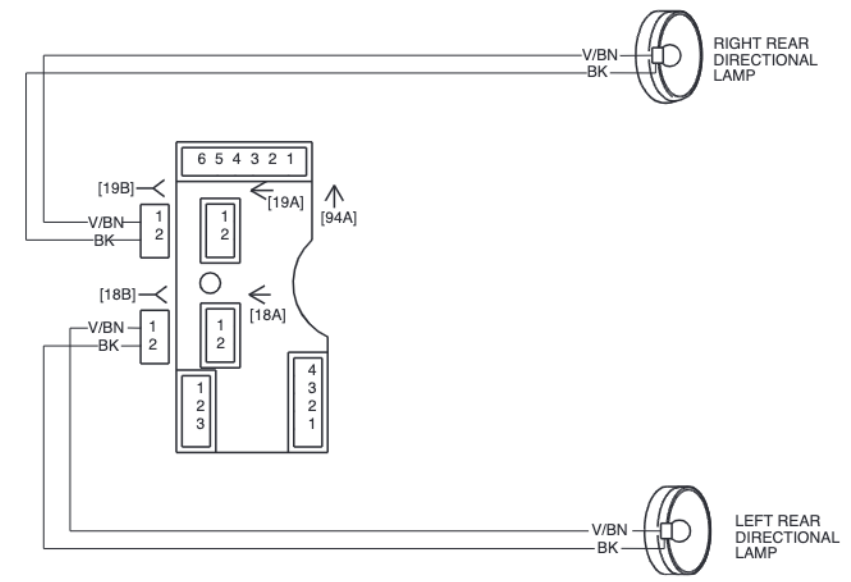
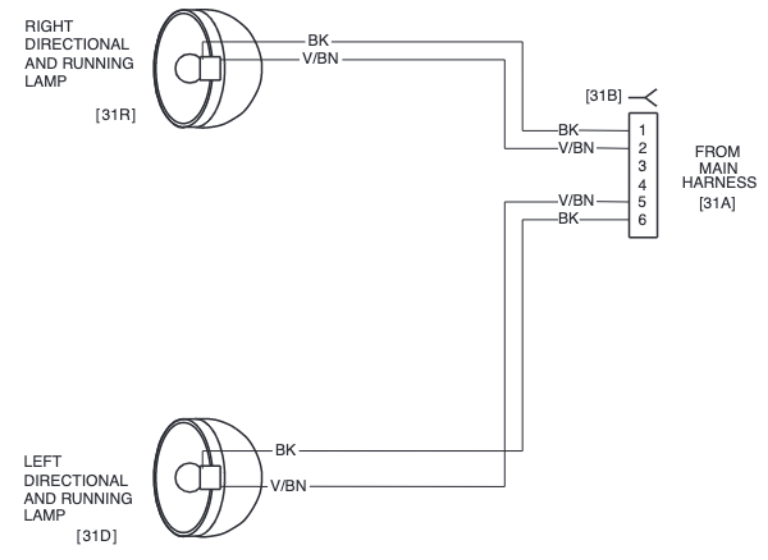
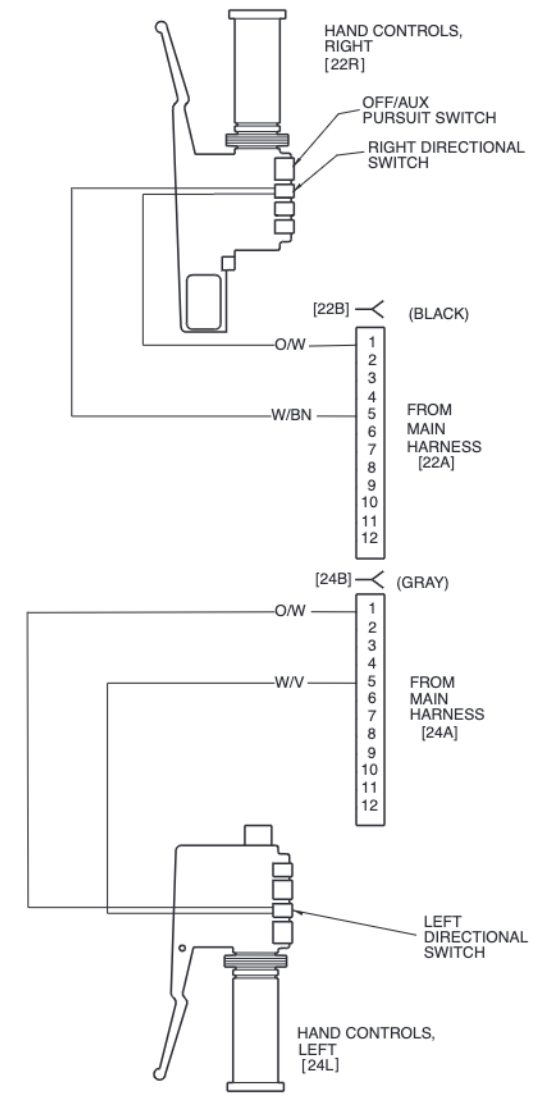
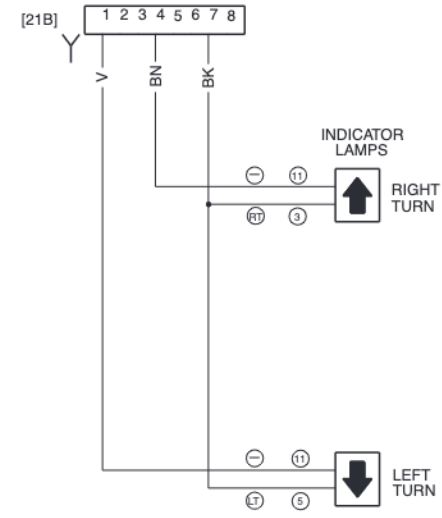
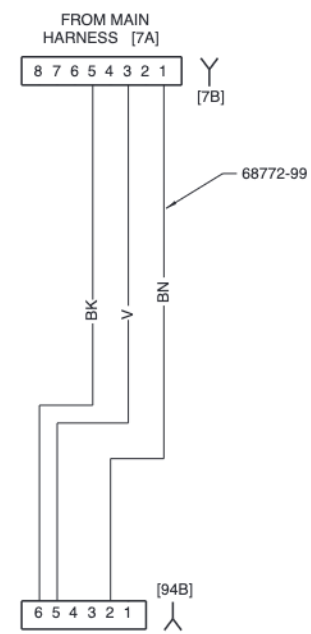
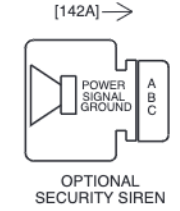
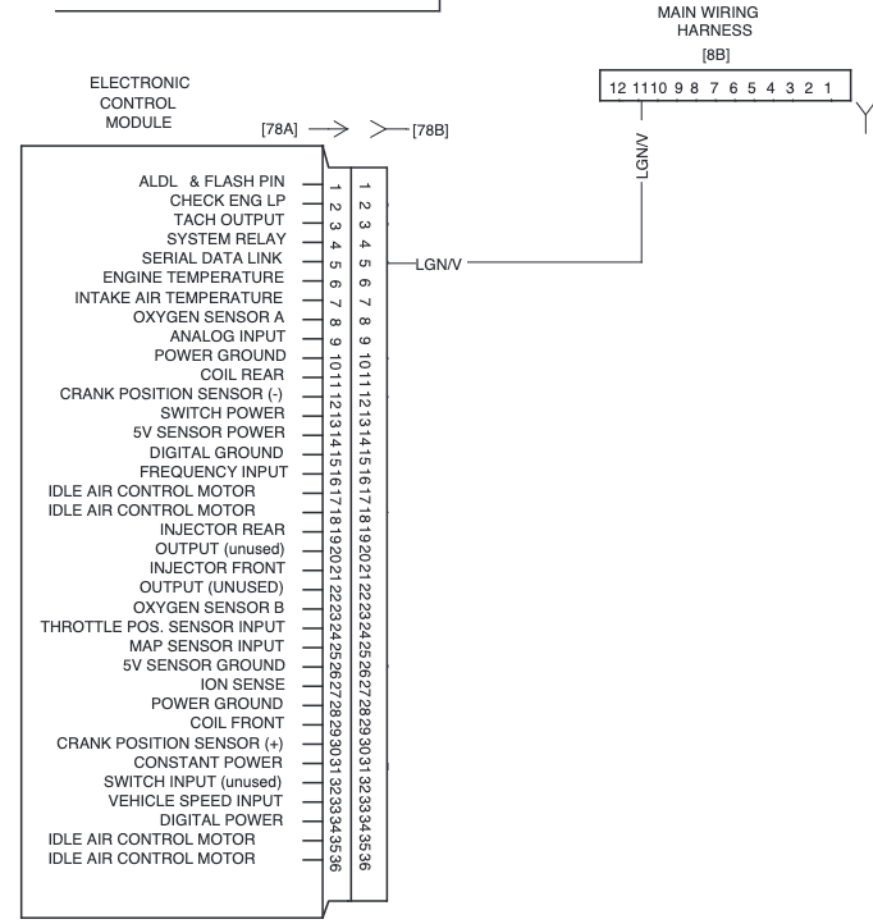
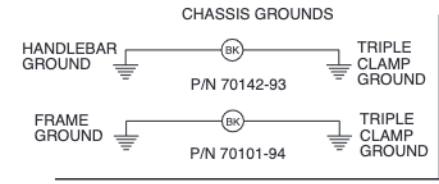


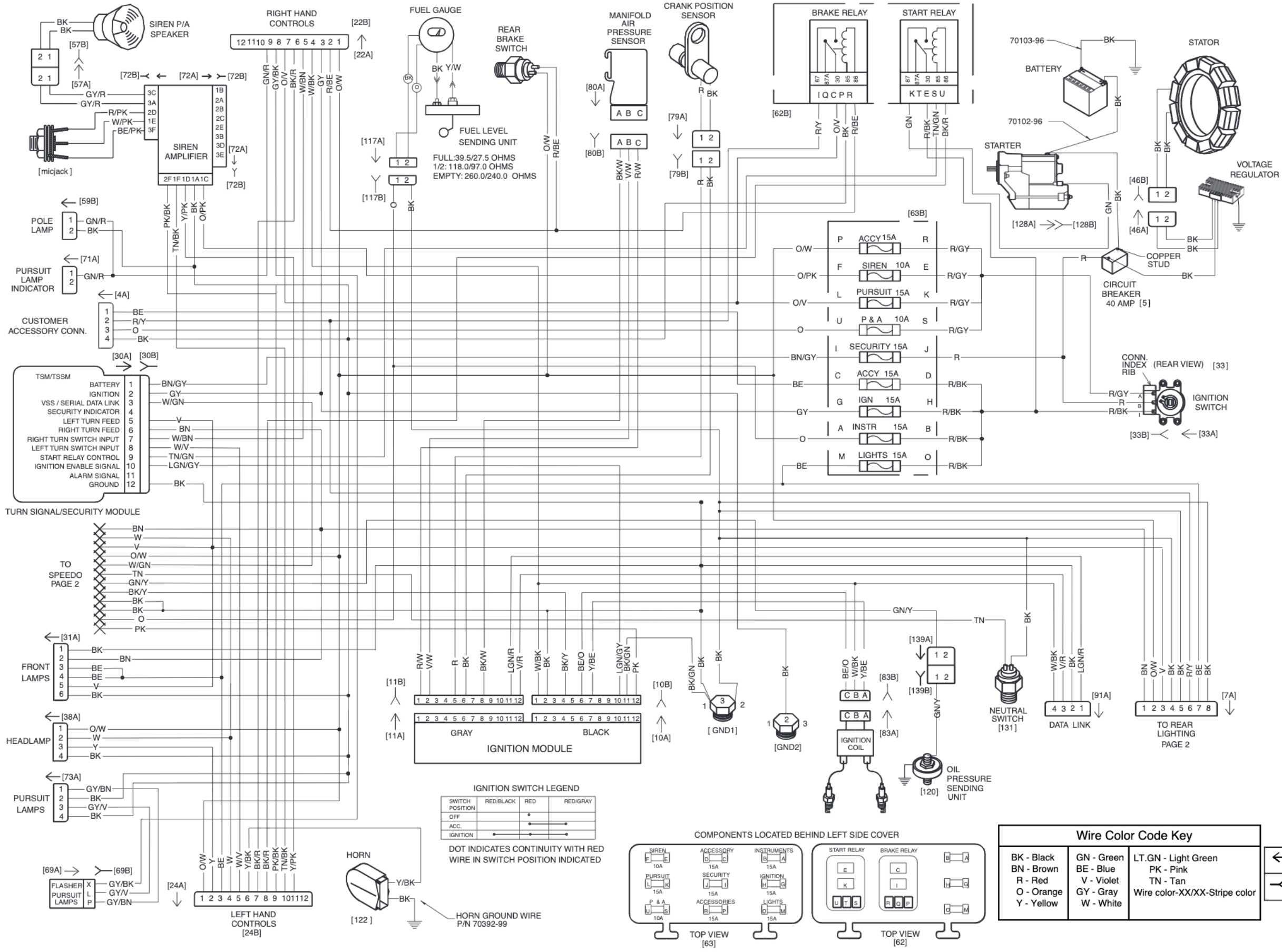
pd0013xx.

19009-02 1 security

Wire Color Code Key		
BK - Black	GN - Green	LT.GN - Light Green
BN - Brown	BE - Blue	PK - Pink
R - Red	V - Violet	TN - Tan
O - Orange	GY - Gray	Wire color-XX/XX-Stripe color
Y - Yellow	W - White	



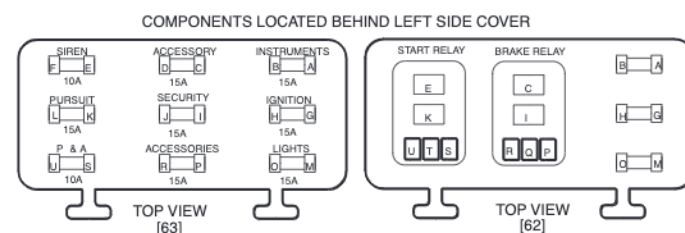




IGNITION SWITCH LEGEND

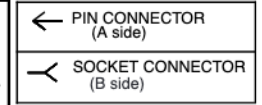
SWITCH POSITION	RED/BLACK	RED	RED/GRAY
OFF		*	
ACC.	→		
IGNITION	→	→	

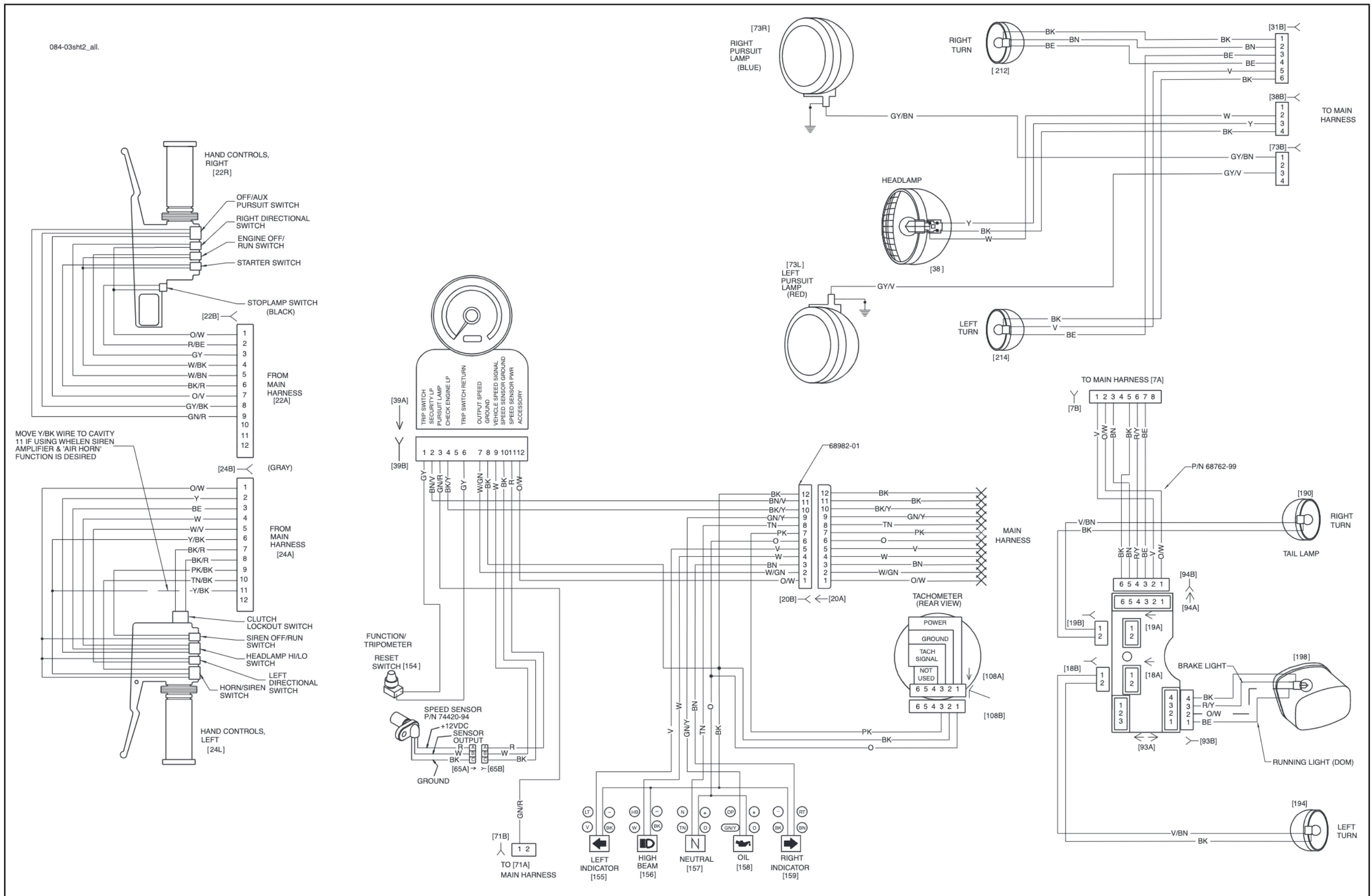
DOT INDICATES CONTINUITY WITH RED WIRE IN SWITCH POSITION INDICATED

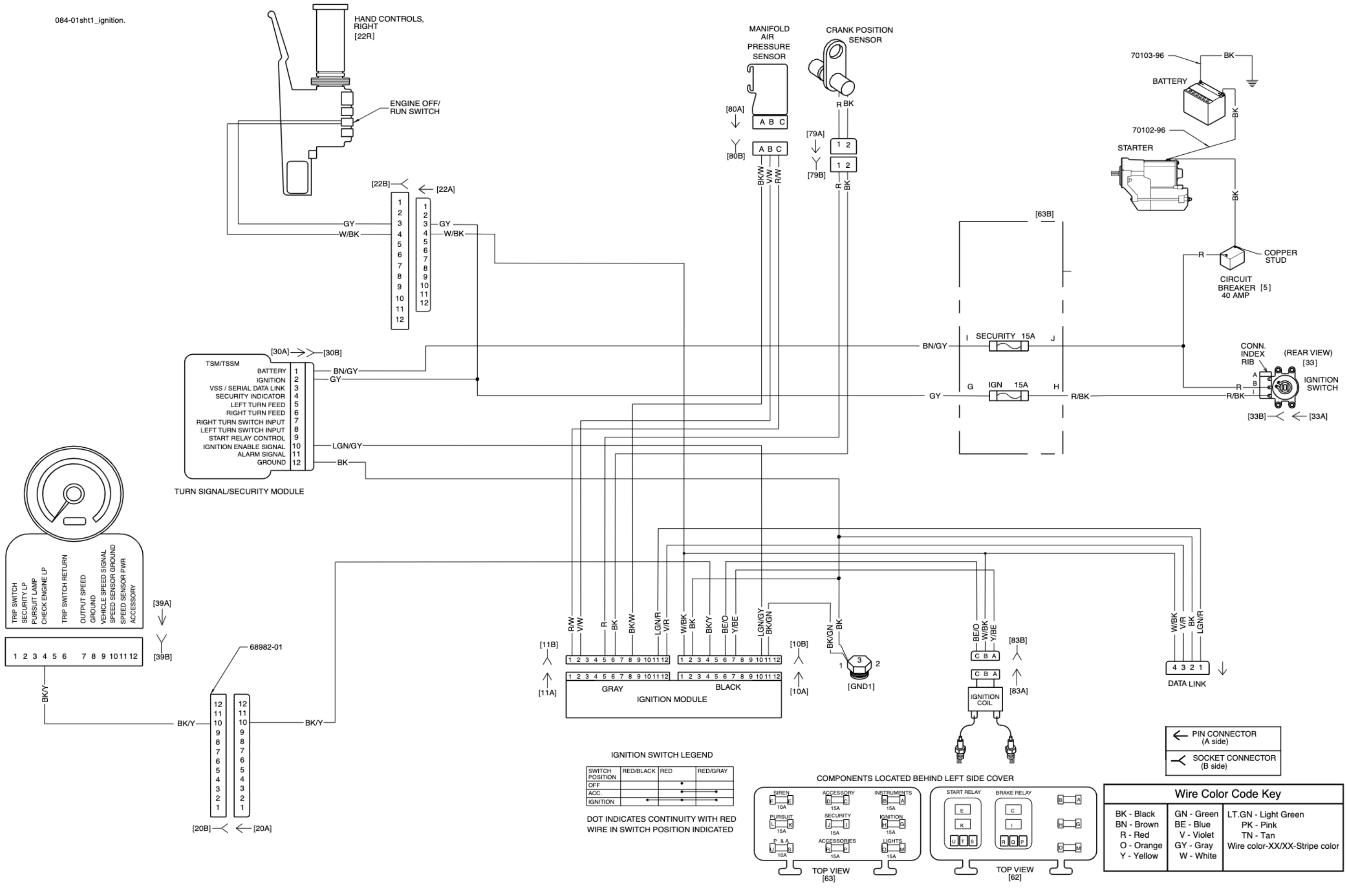


Wire Color Code Key

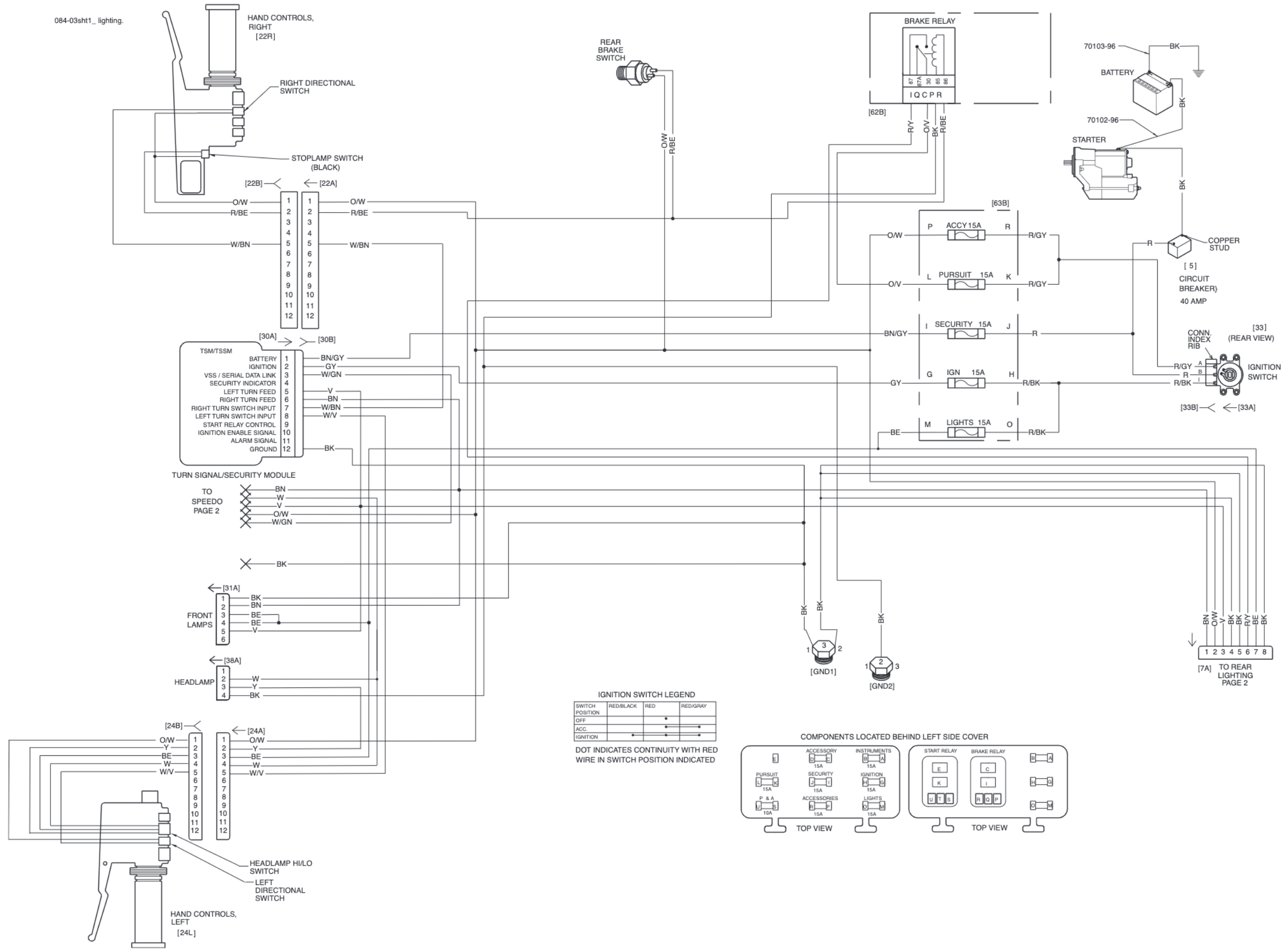
BK - Black	GN - Green	LT.GN - Light Green
BN - Brown	BE - Blue	PK - Pink
R - Red	V - Violet	TN - Tan
O - Orange	GY - Gray	Wire color-XX/XX-Stripe color
Y - Yellow	W - White	

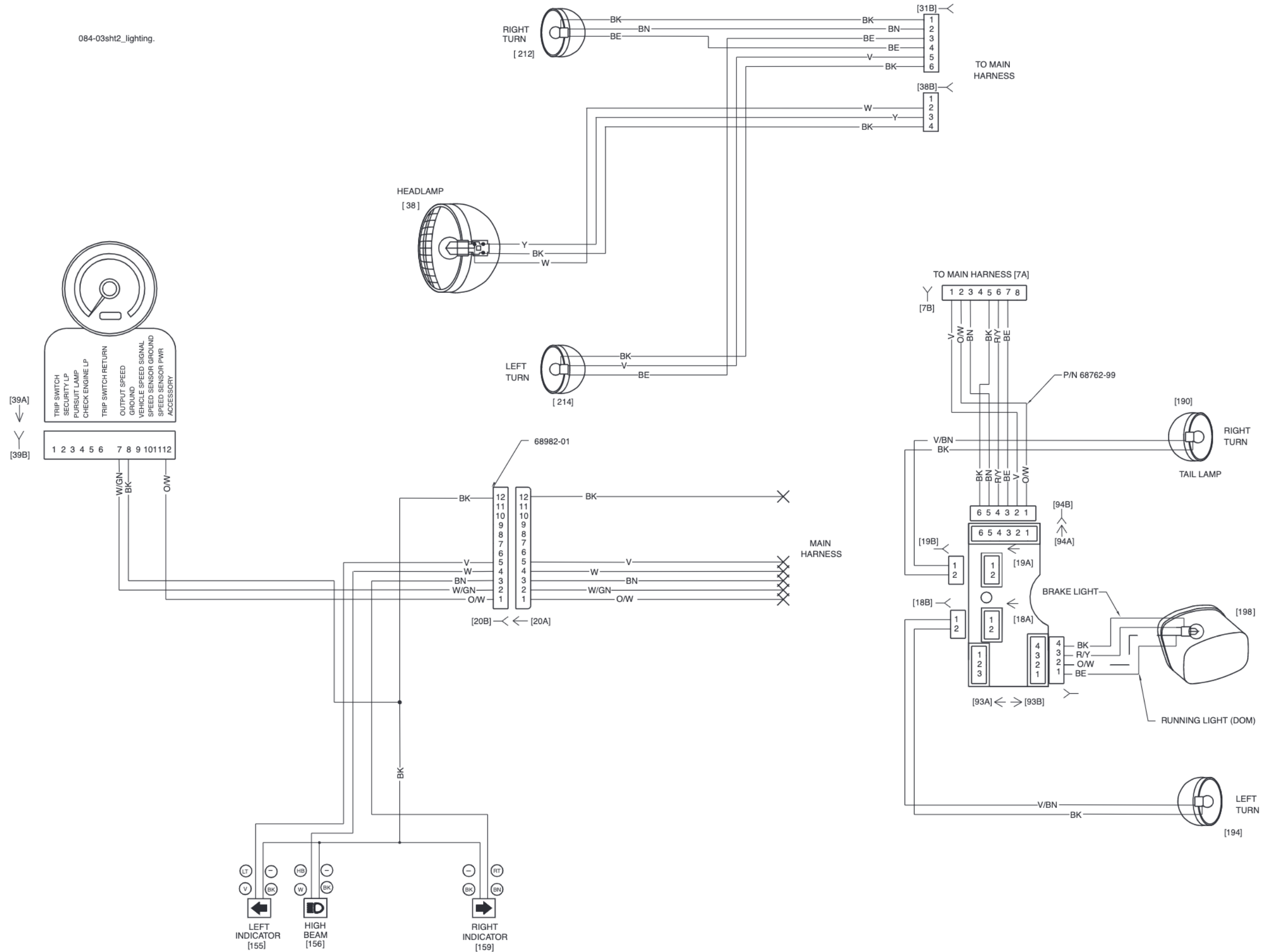




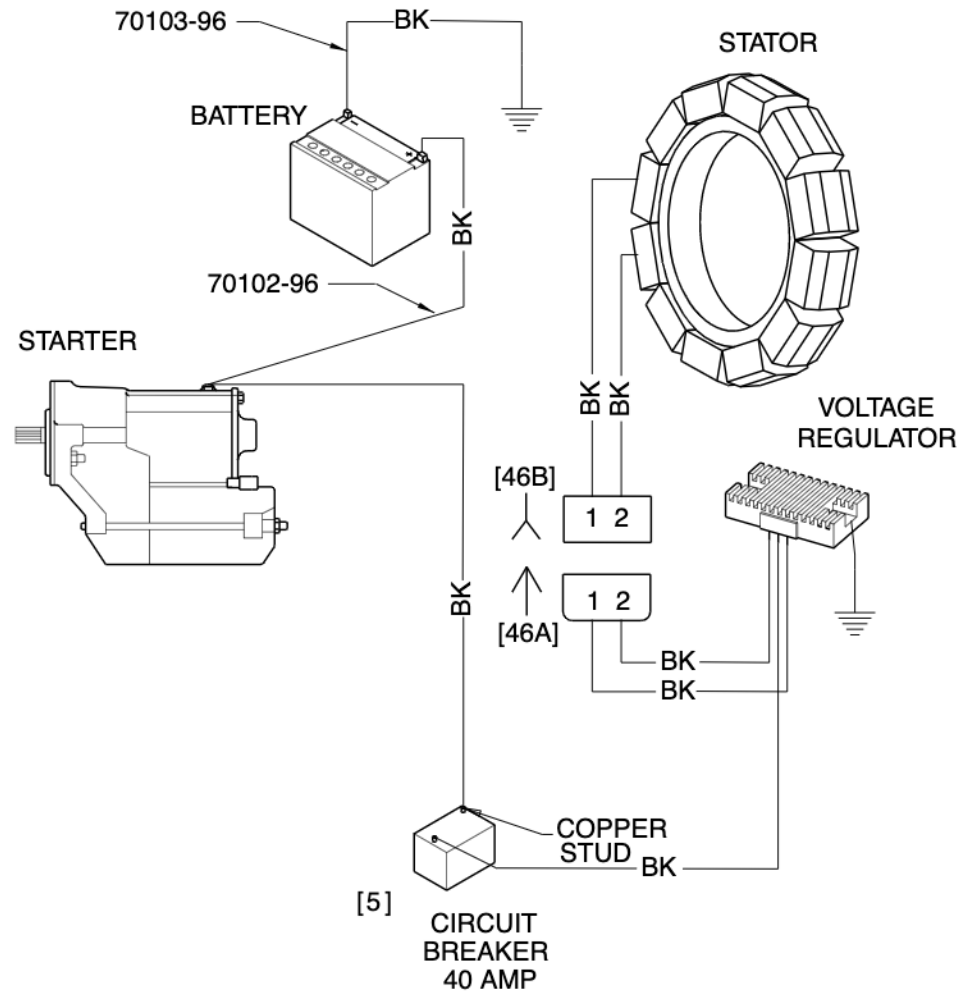


084-03sht1_lighting.

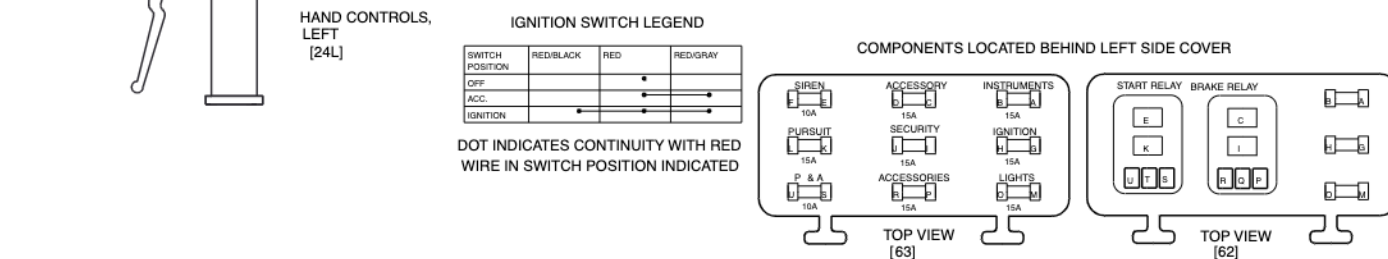
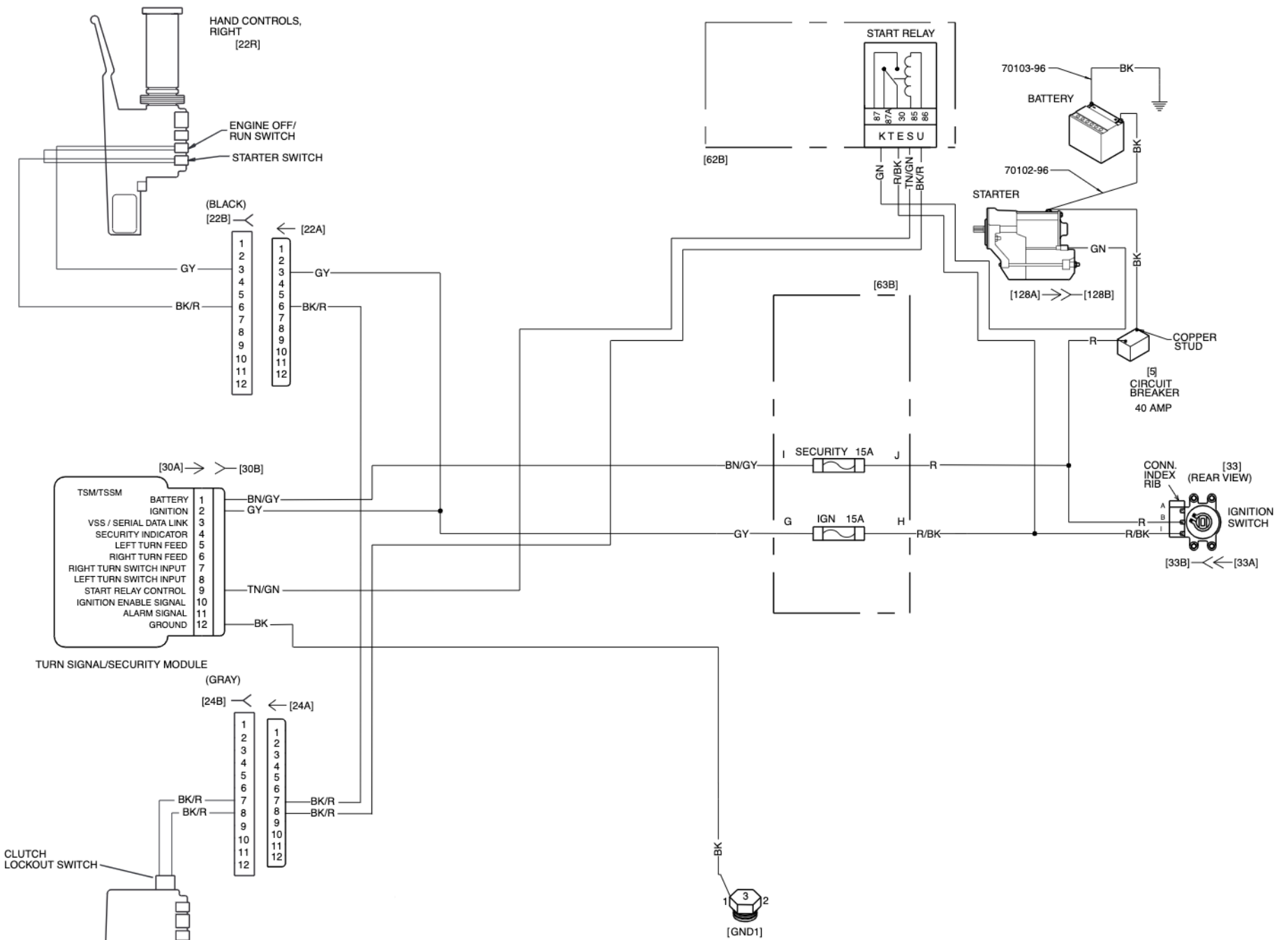




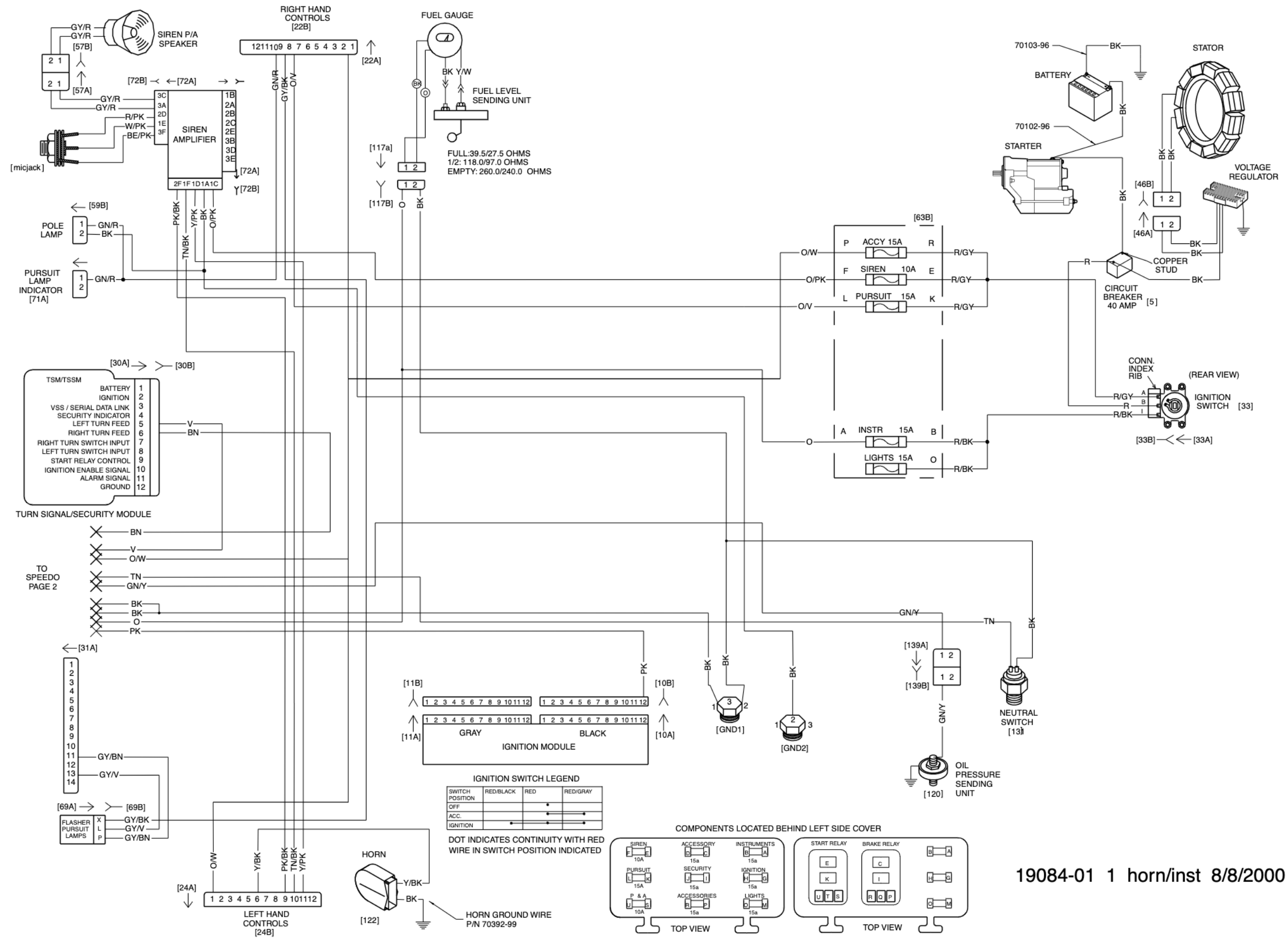
084-01sh1_starting&chg.



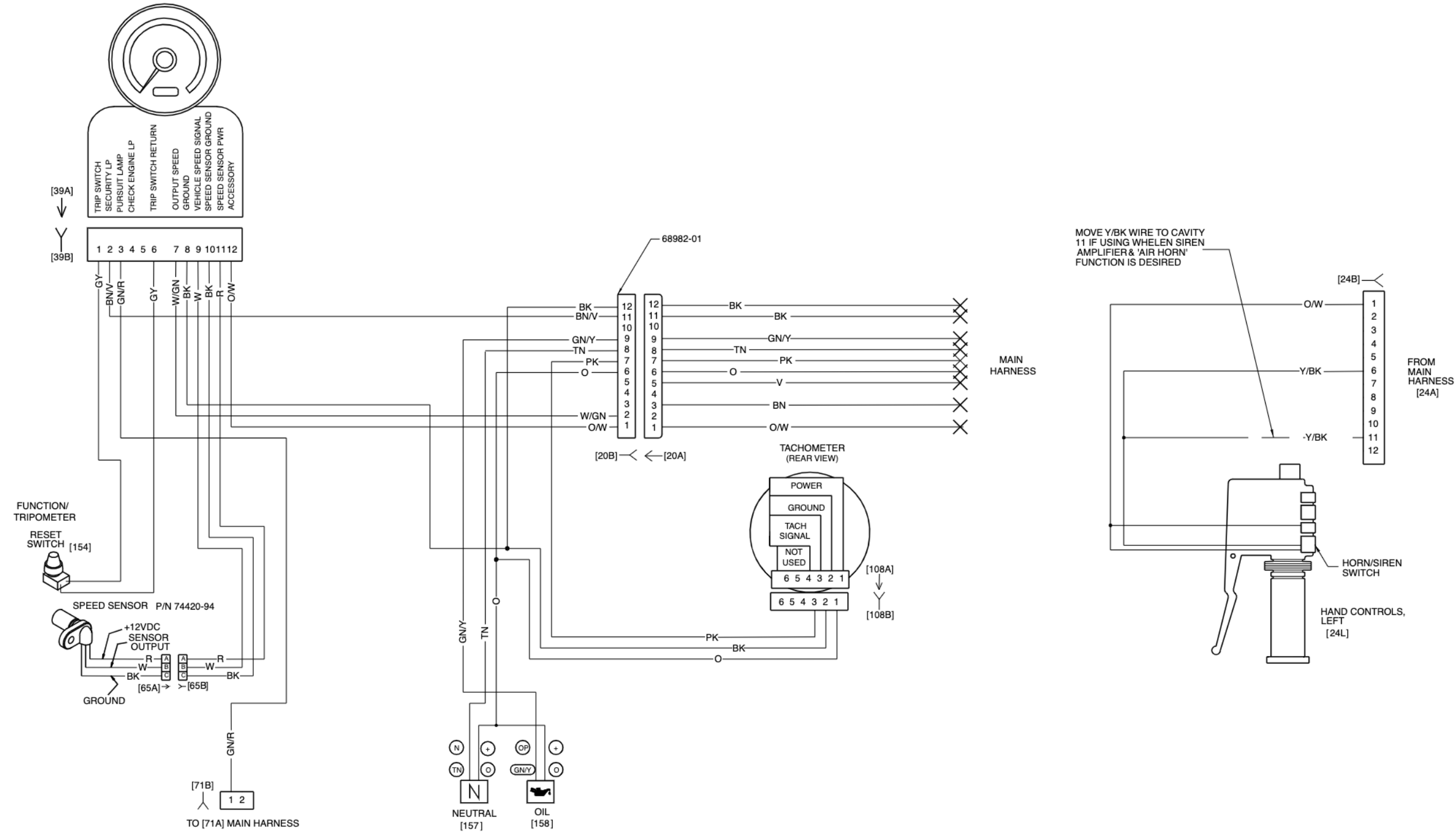
CHARGING CIRCUIT

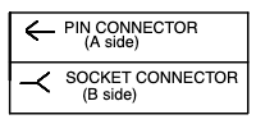
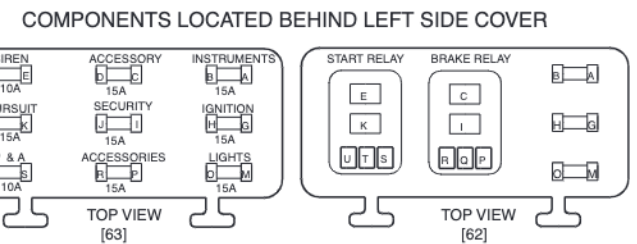
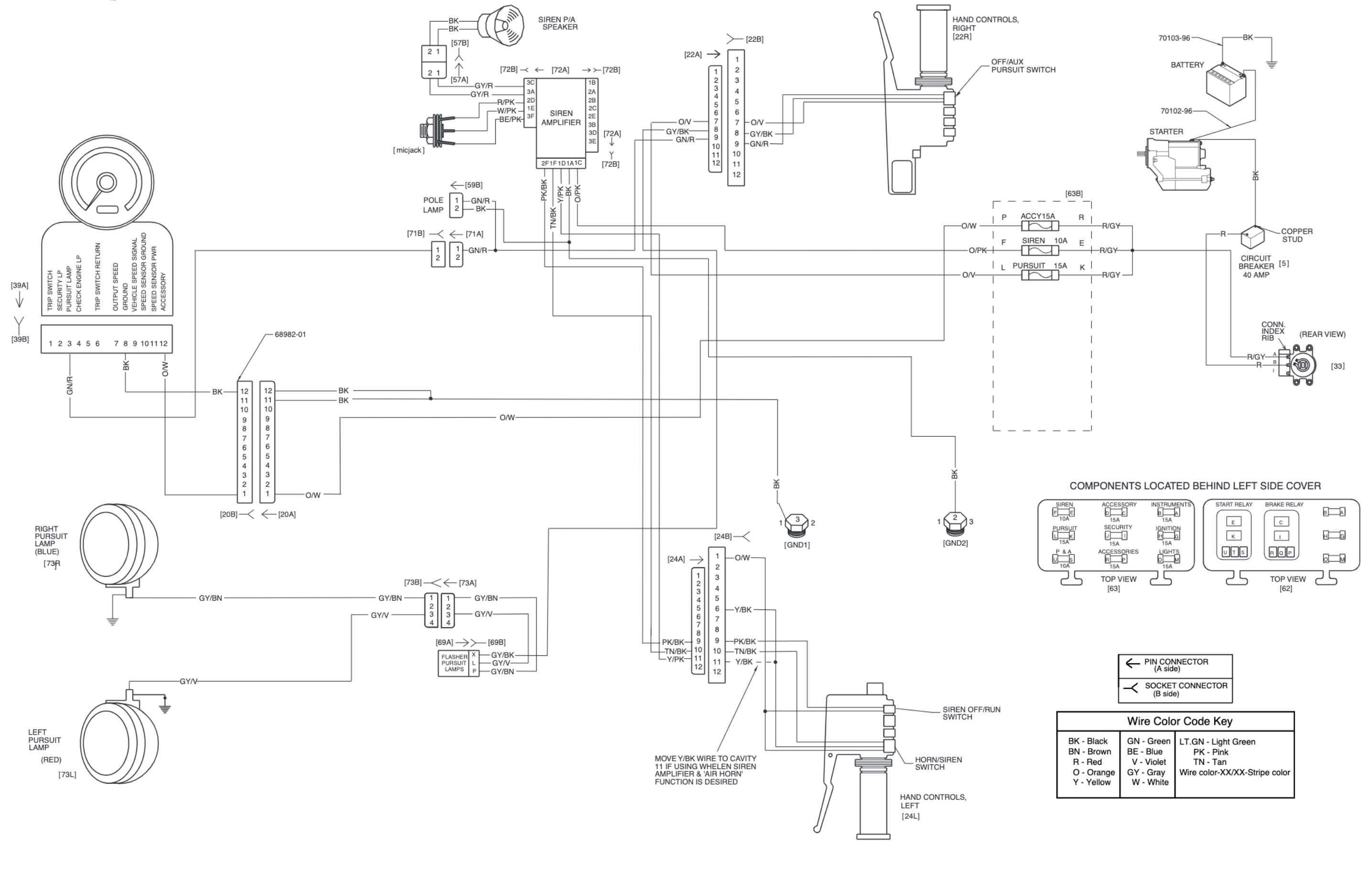


STARTING CIRCUIT

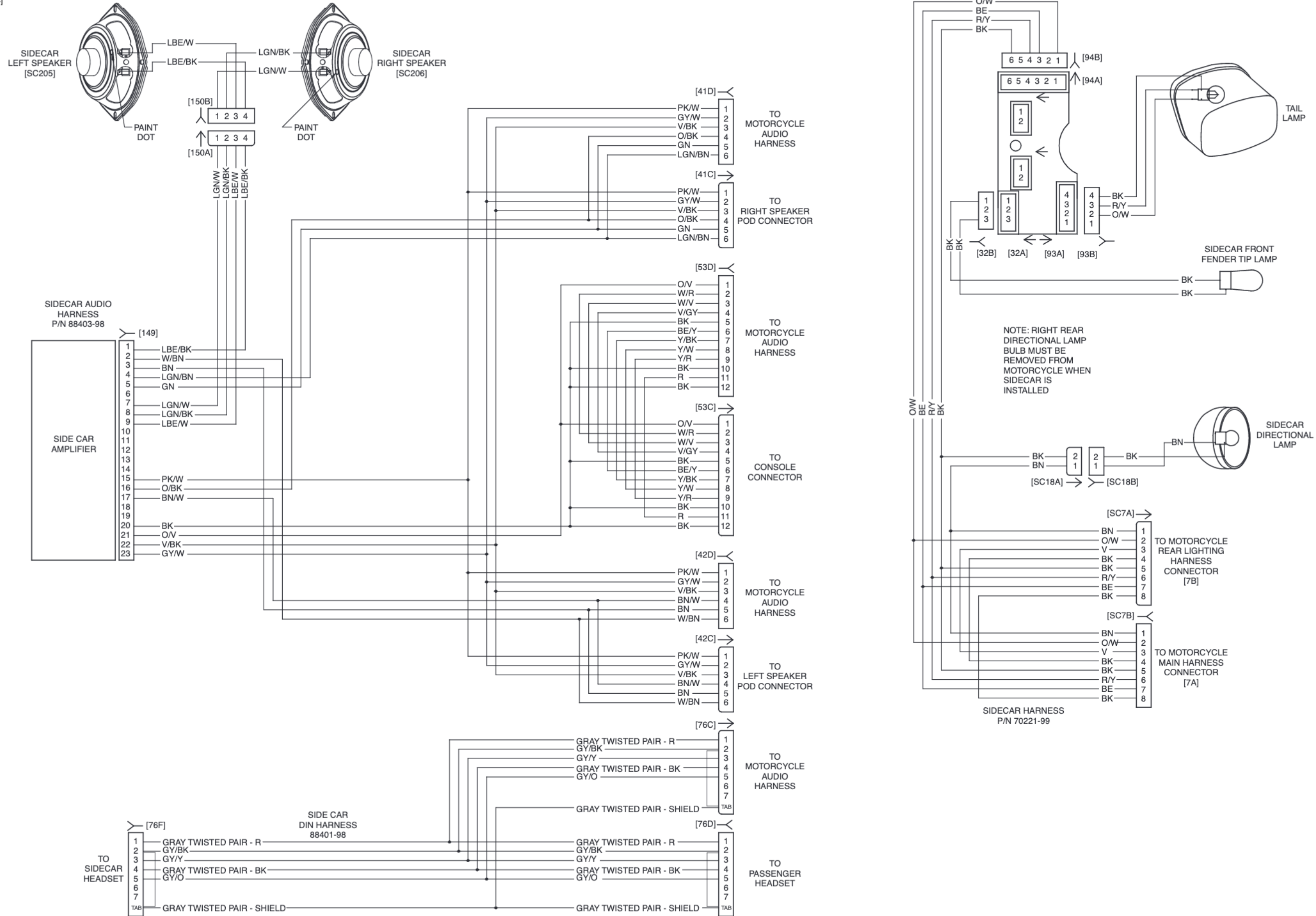


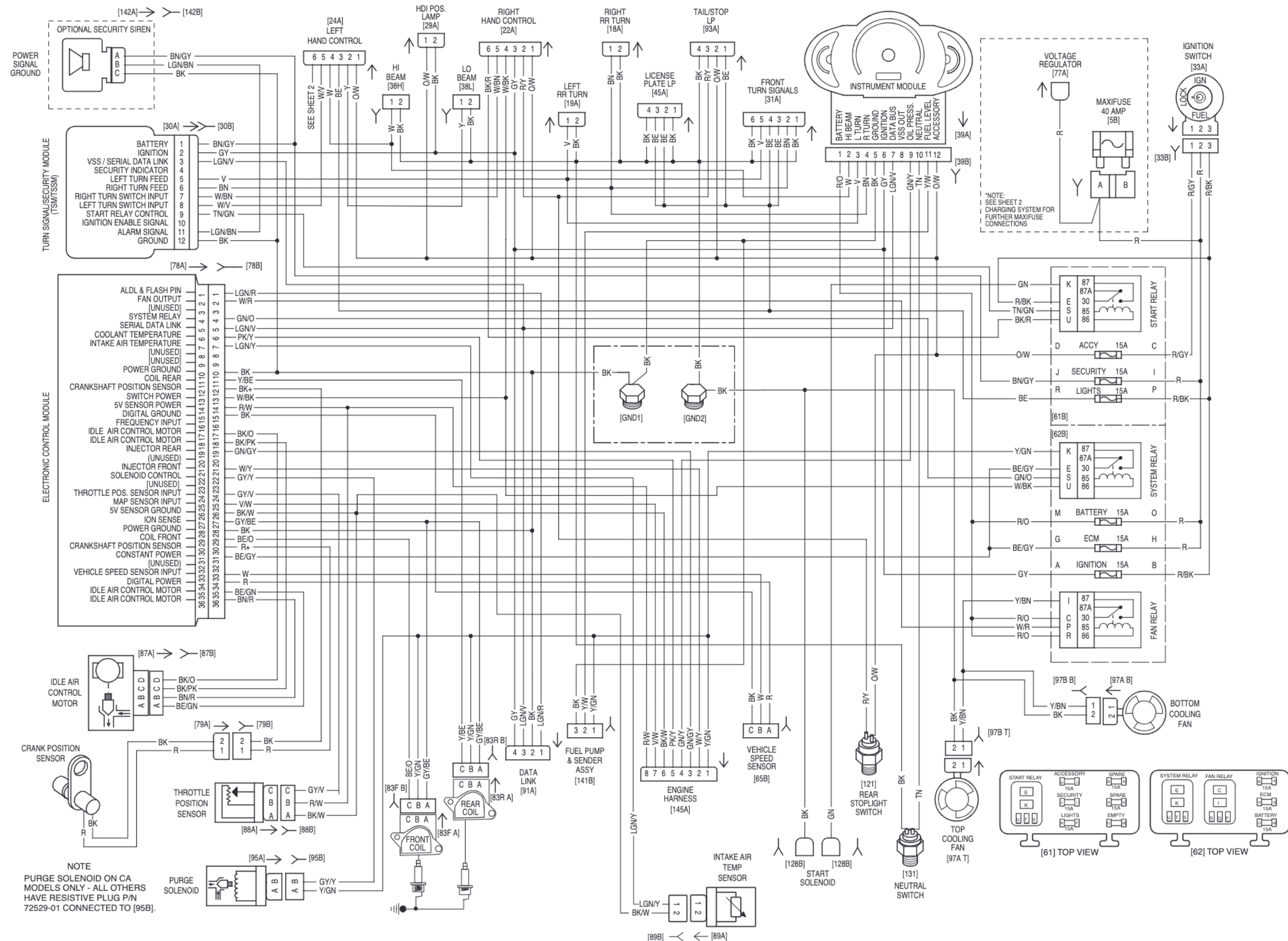
19084-01 1 horn/inst 8/8/2000



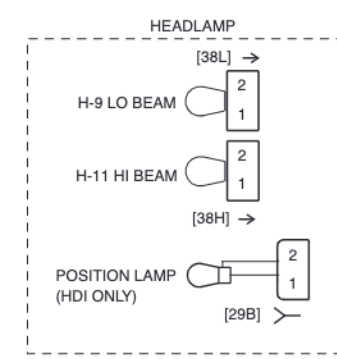
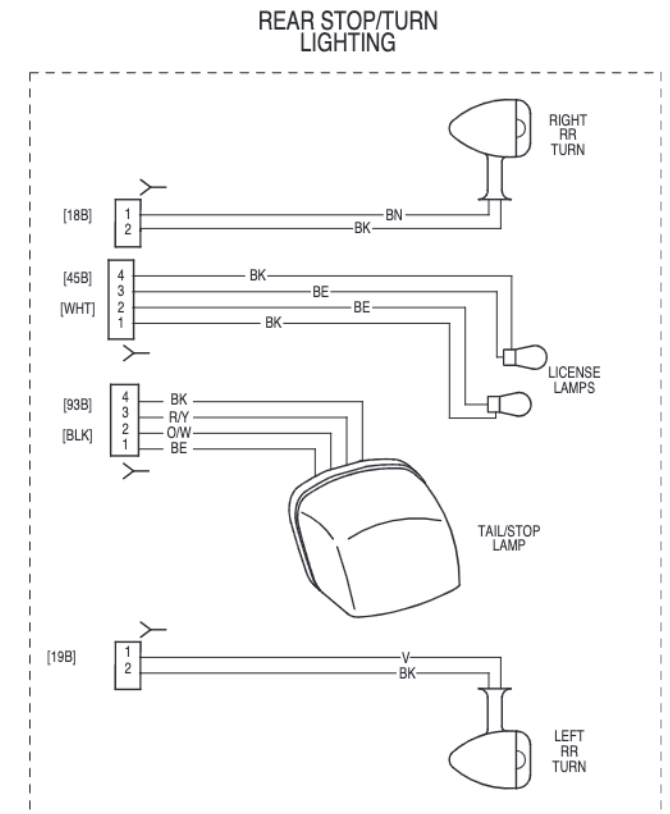
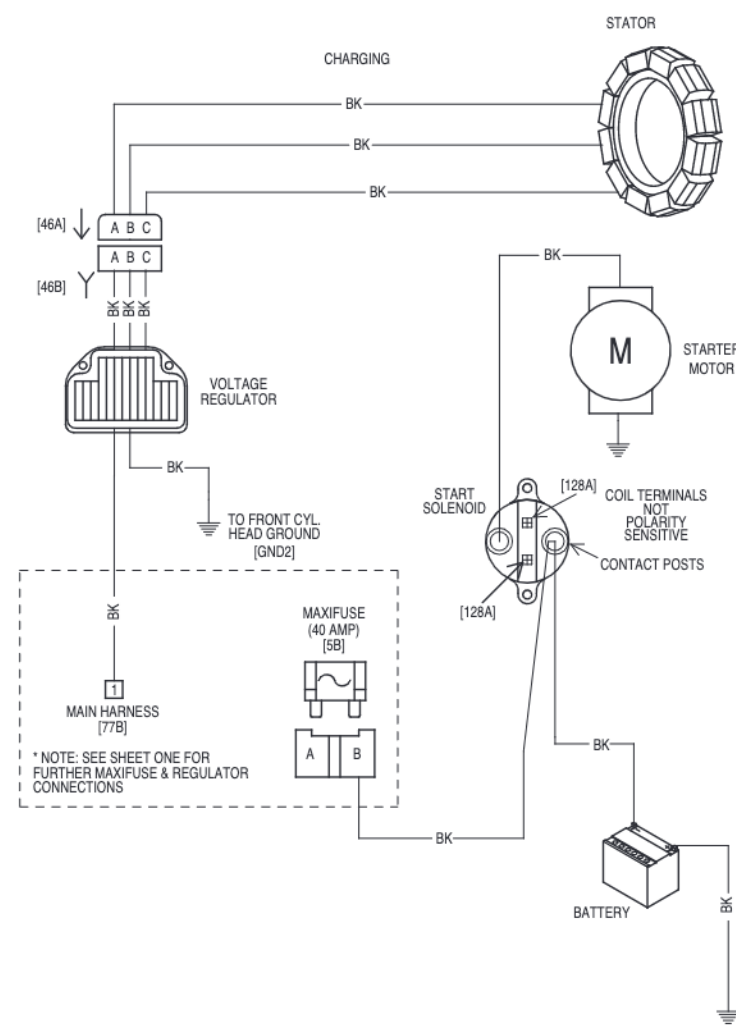
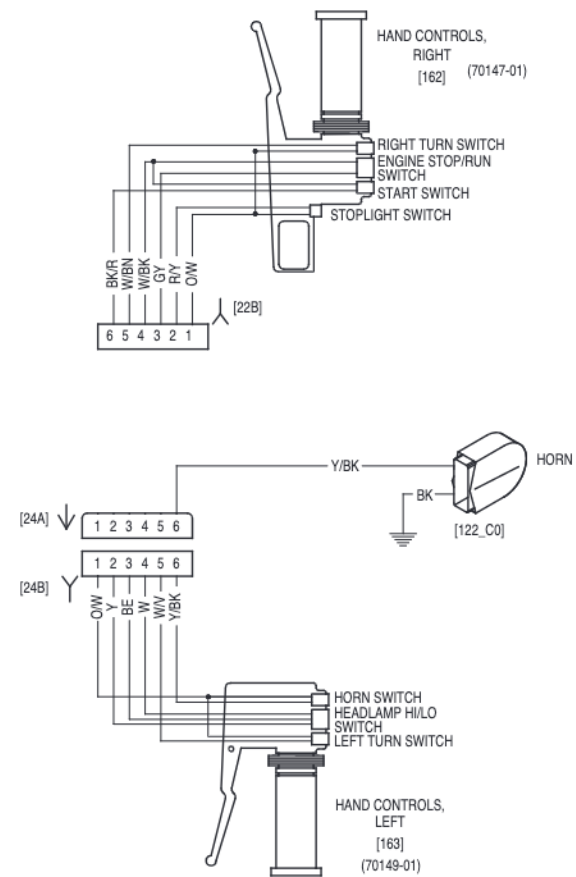
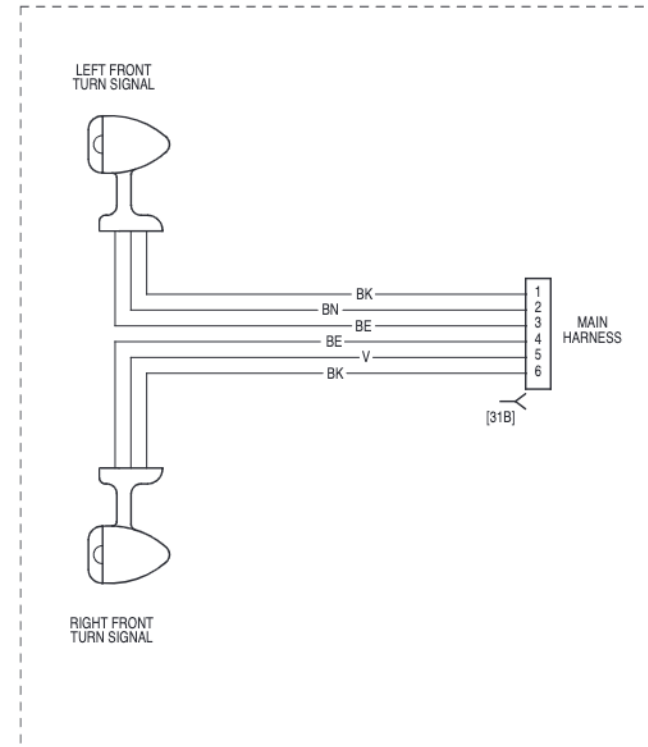


Wire Color Code Key		
BK - Black	GN - Green	LT.GN - Light Green
BN - Brown	BE - Blue	PK - Pink
R - Red	V - Violet	TN - Tan
O - Orange	GY - Gray	W - White
Y - Yellow	W - White	Wire color-XX/XX-Stripe color

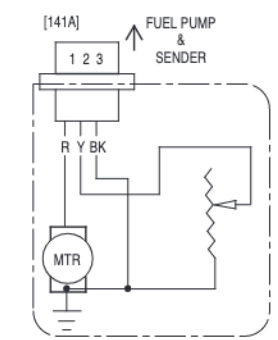
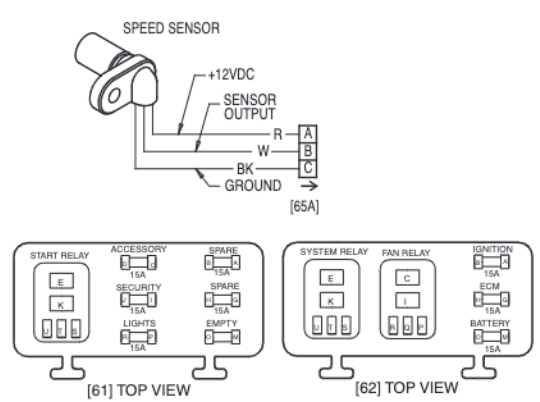
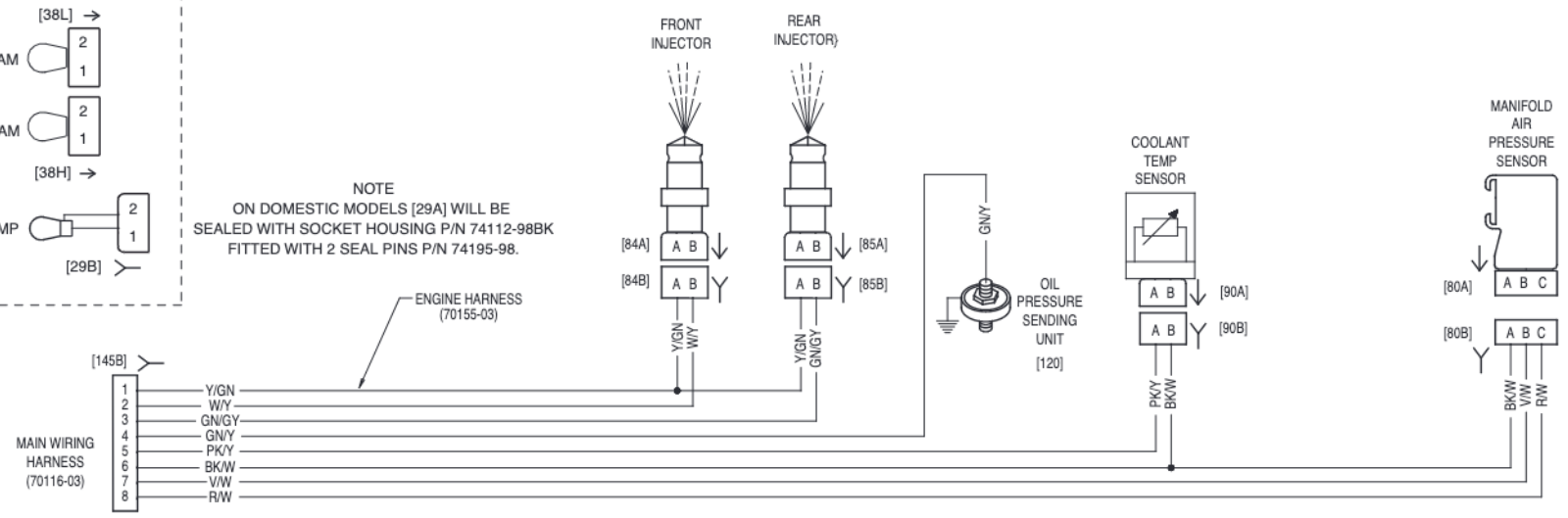




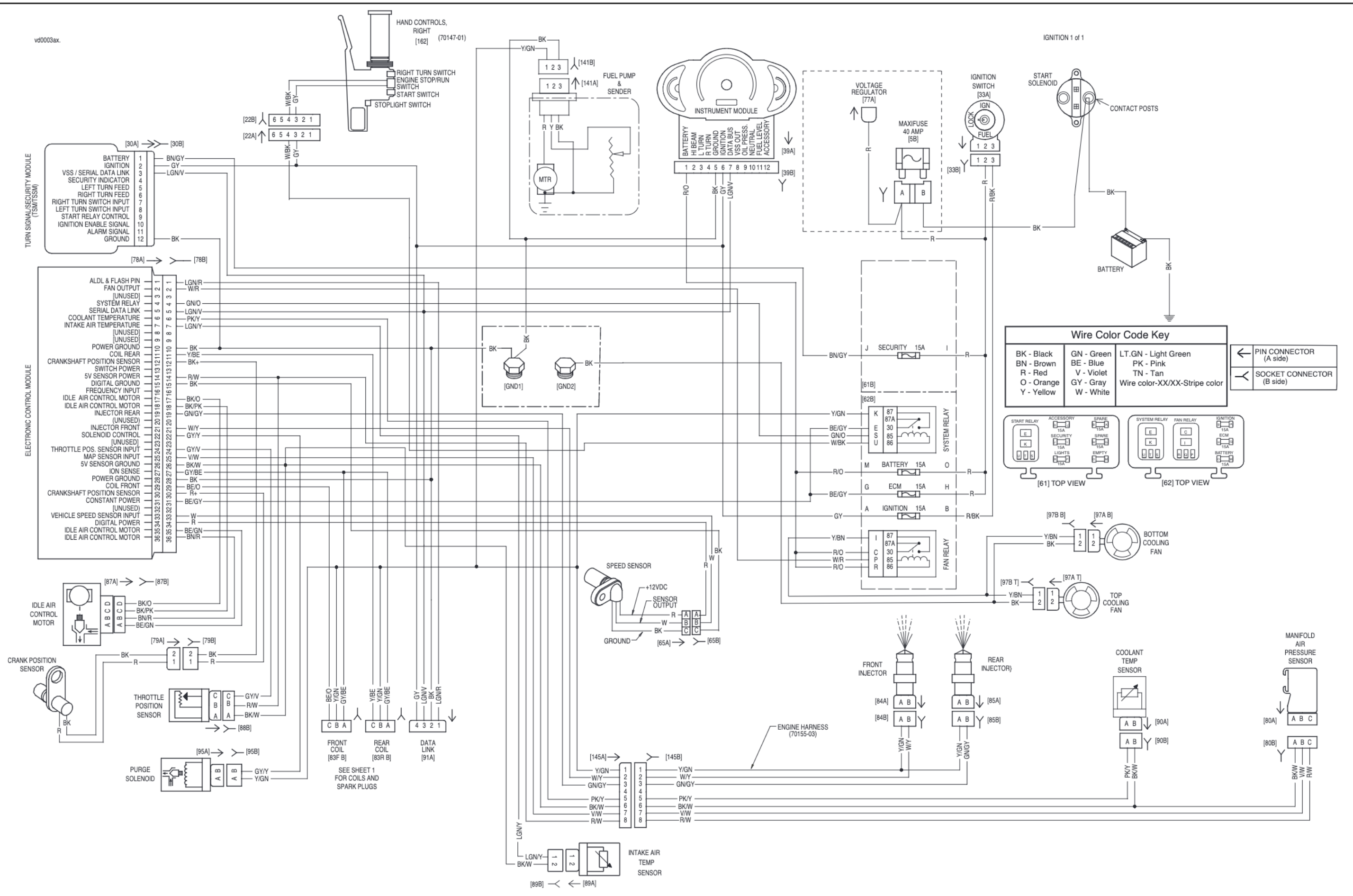
FRONT TURN LIGHTING

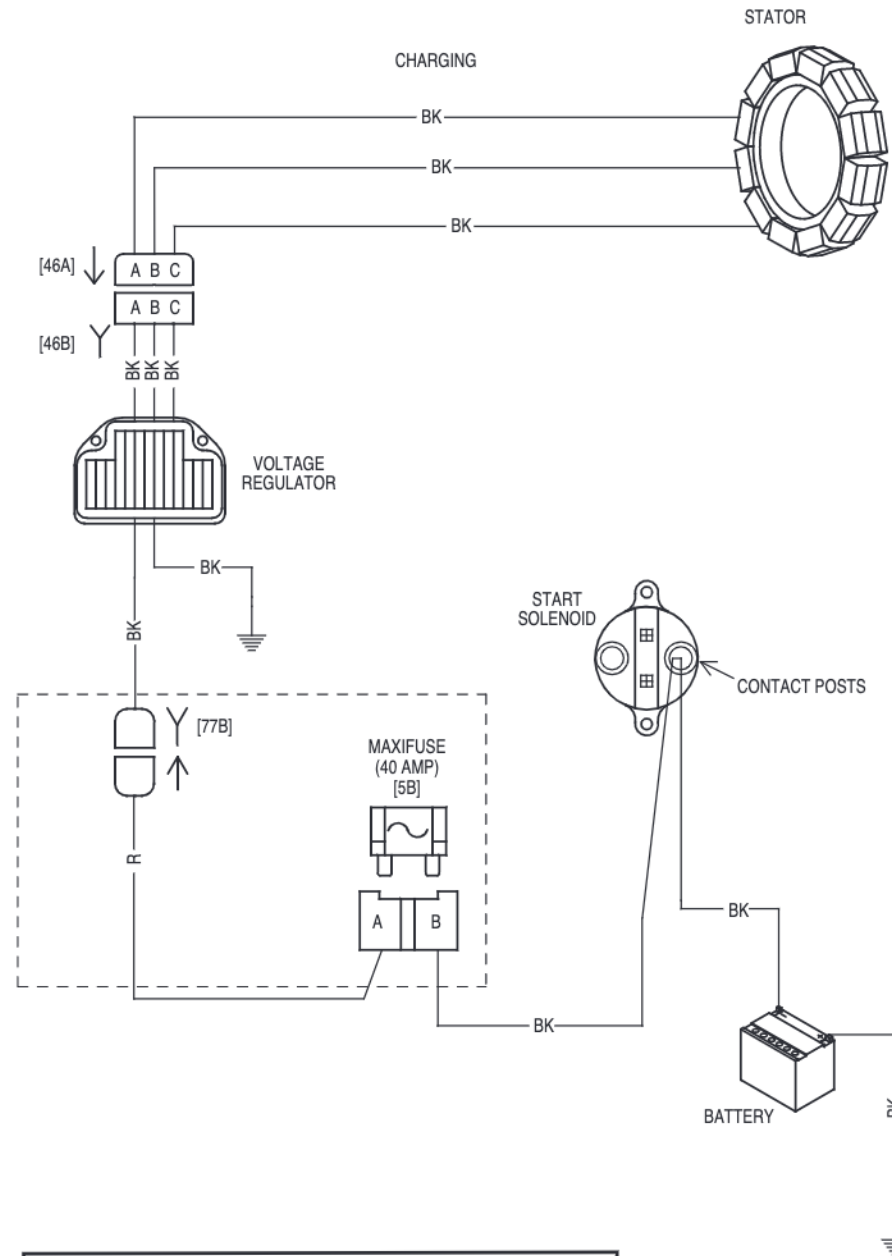


NOTE
ON DOMESTIC MODELS [29A] WILL BE
SEALED WITH SOCKET HOUSING P/N 74112-98BK
FITTED WITH 2 SEAL PINS P/N 74195-98.

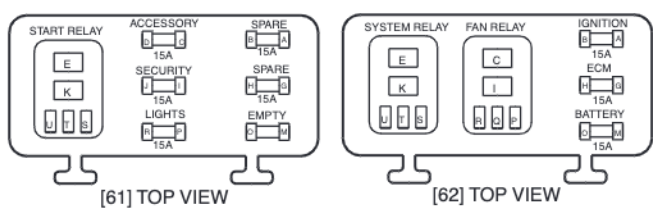


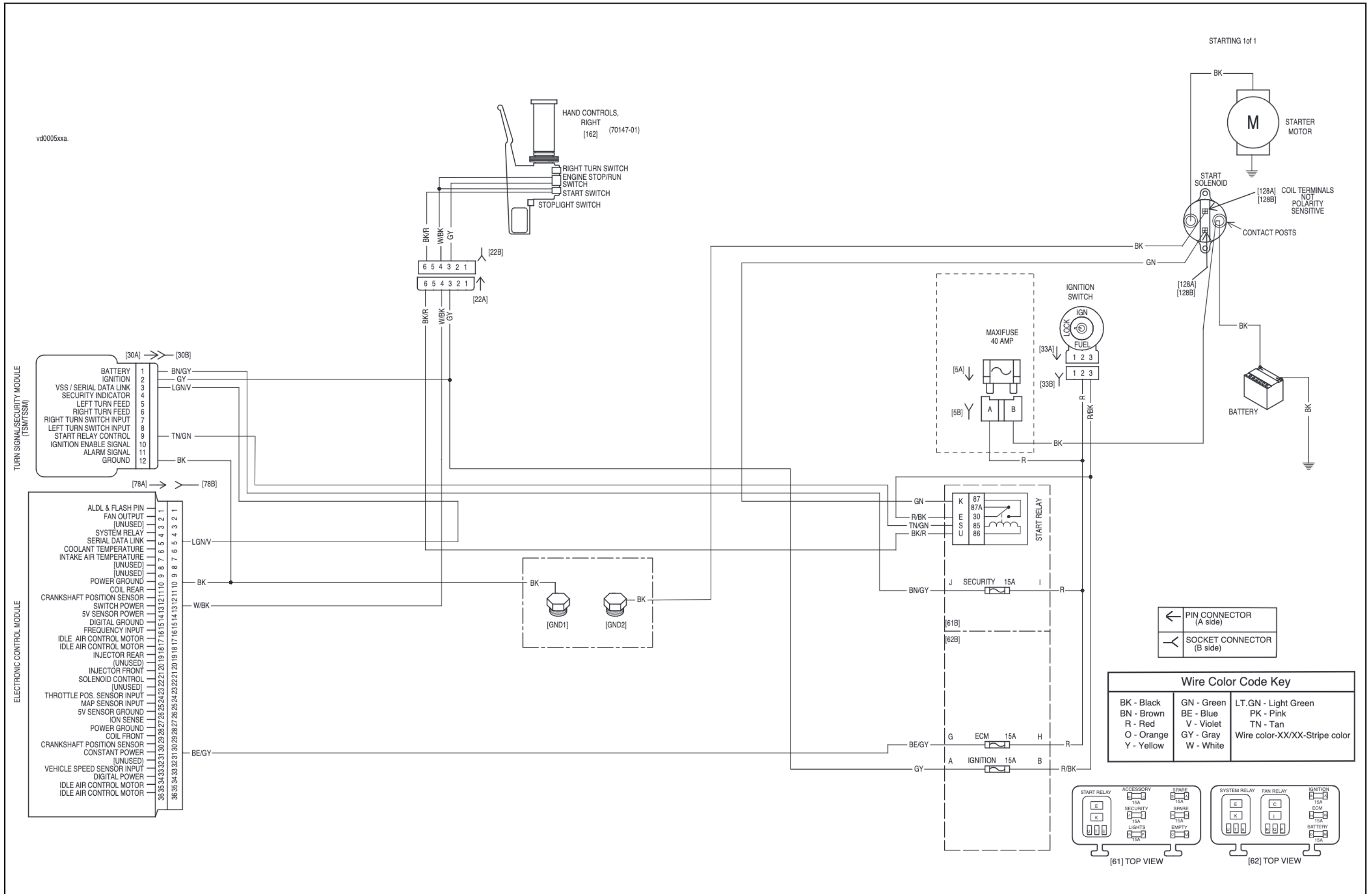
Wire Color Code Key		
BK - Black	GN - Green	LT.GN - Light Green
BN - Brown	BE - Blue	PK - Pink
R - Red	V - Violet	TN - Tan
O - Orange	GY - Gray	Wire color-XX/XX-Stripe color
Y - Yellow	W - White	





Wire Color Code Key			
BK - Black	GN - Green	LT.GN - Light Green	← PIN CONNECTOR (A side)
BN - Brown	BE - Blue	PK - Pink	
R - Red	V - Violet	TN - Tan	↘ SOCKET CONNECTOR (B side)
O - Orange	GY - Gray	Wire color-XX/XX-Stripe color	
Y - Yellow	W - White		

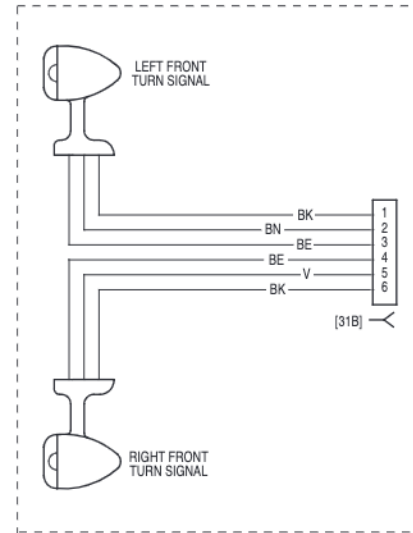




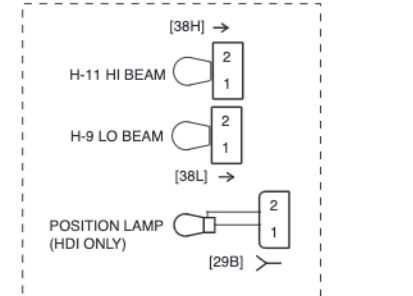
vd0006xx.

LIGHTING 1 of 1

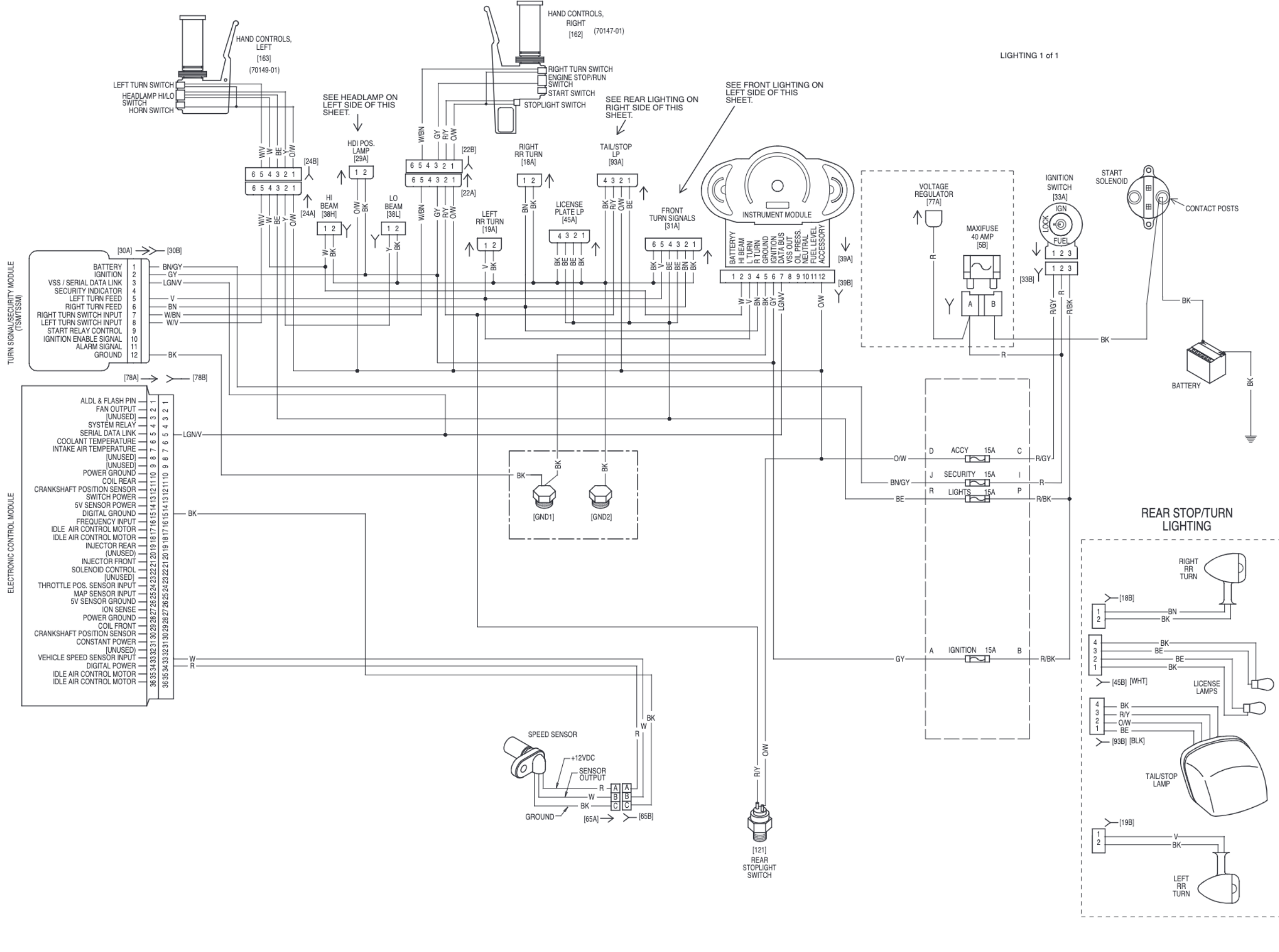
FRONT LIGHTING



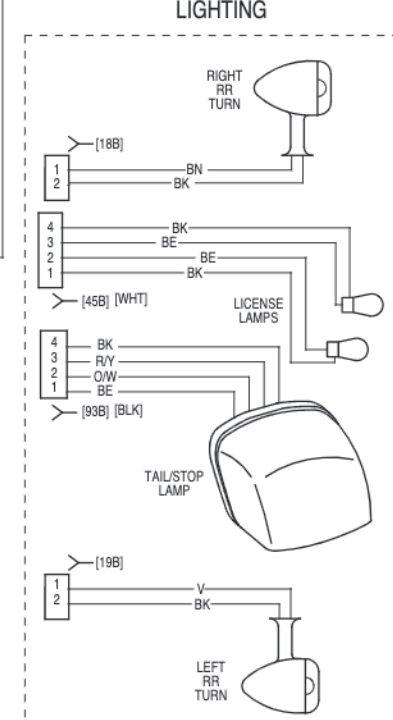
HEADLAMP



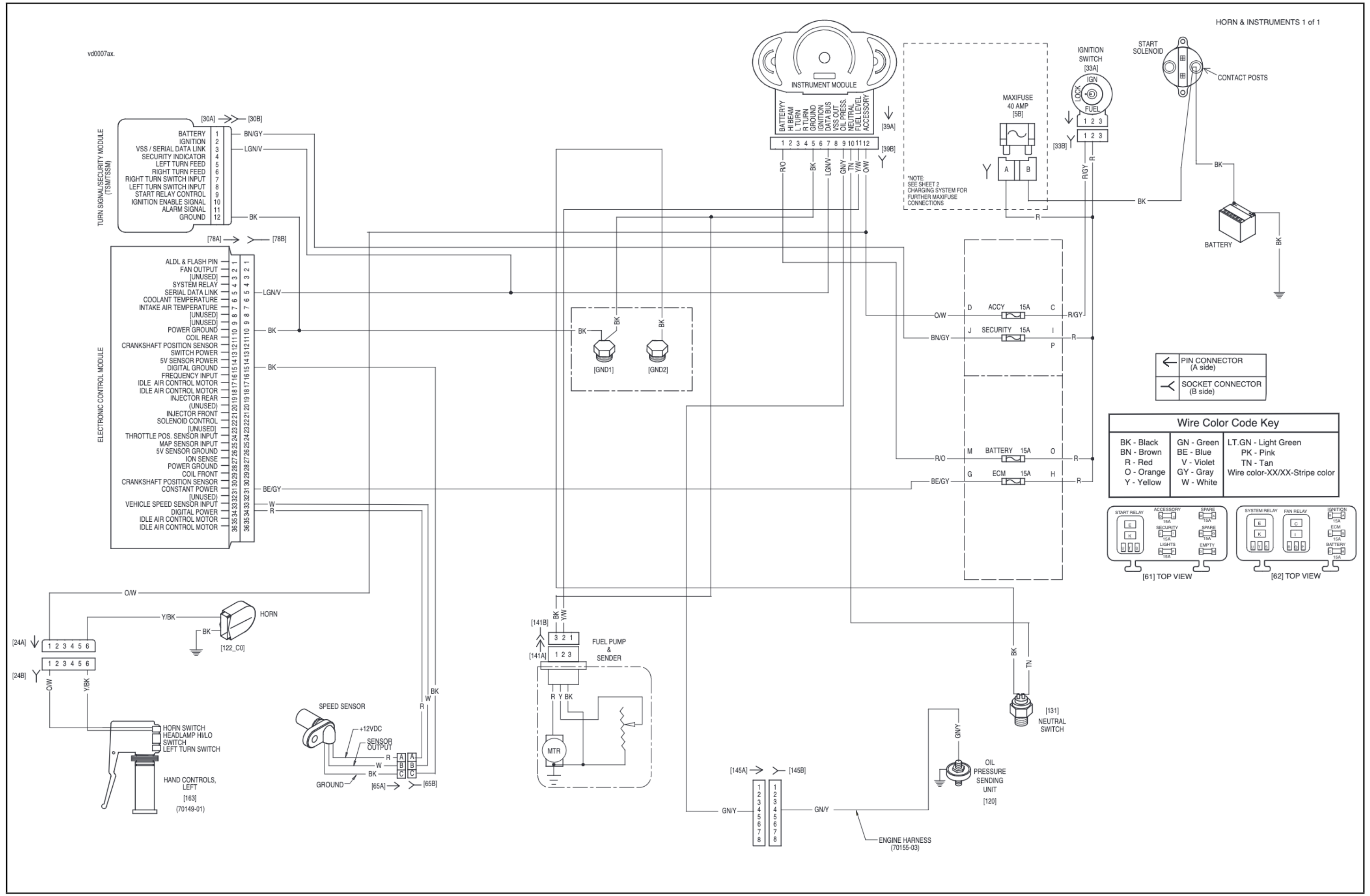
NOTE
ON DOMESTIC MODELS [29A] WILL BE
SEALED WITH SOCKET HOUSING P/N 74112-98BK
FITTED WITH 2 SEAL PINS P/N 74195-98.



REAR STOP/TURN LIGHTING



vd0007ax.



Wire Color Code Key

BK - Black	GN - Green	LT.GN - Light Green
BN - Brown	BE - Blue	PK - Pink
R - Red	V - Violet	TN - Tan
O - Orange	GY - Gray	Wire color-XX/XX-Stripe color
Y - Yellow	W - White	

Relay Top Views:

[61] TOP VIEW: START RELAY (E, K), ACCESSORY (15A), SECURITY (15A), LIGHTS (15A), EMPTY (15A), SPARE (15A).

[62] TOP VIEW: SYSTEM RELAY (E, K), FAN RELAY (C, L), IGNITION (15A), ECM (15A), BATTERY (15A).

